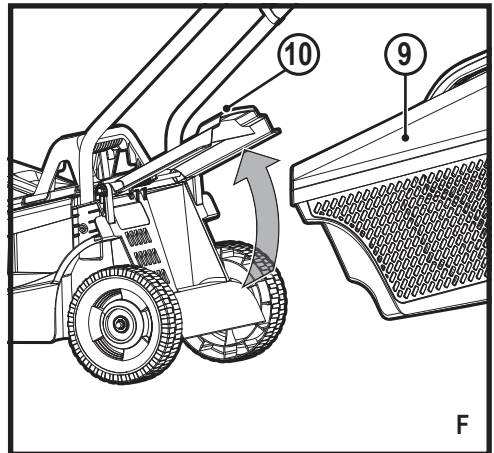
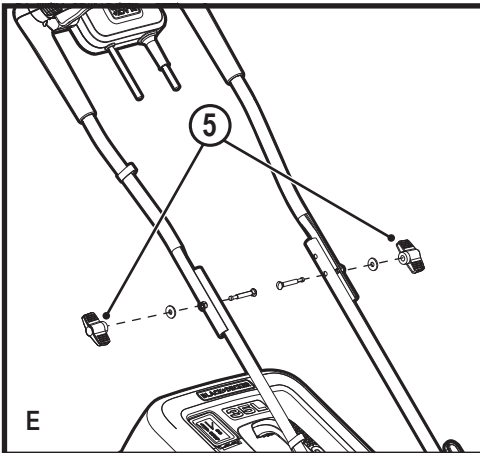
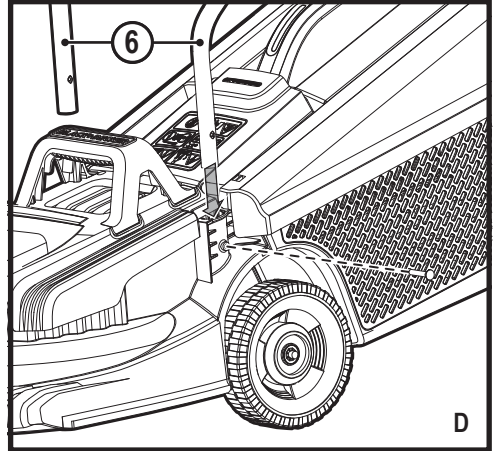
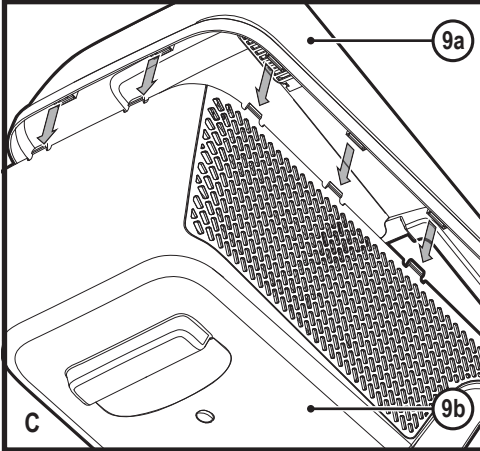
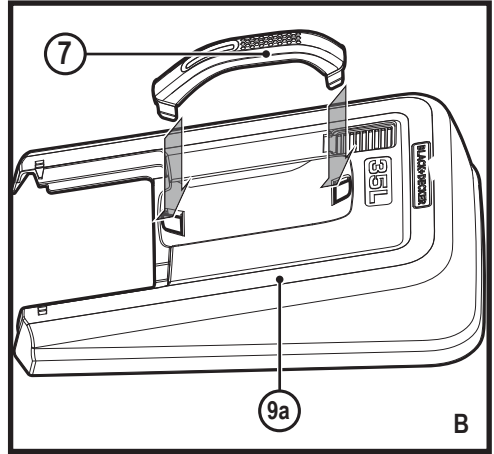
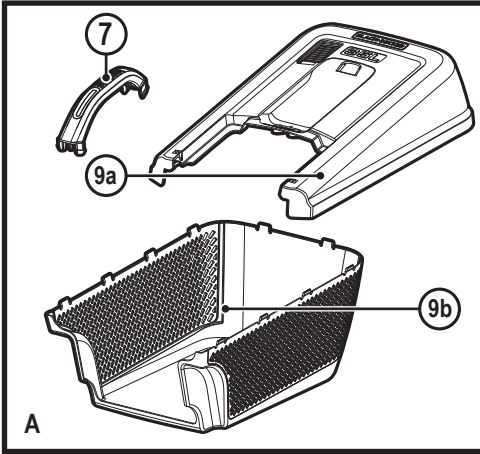
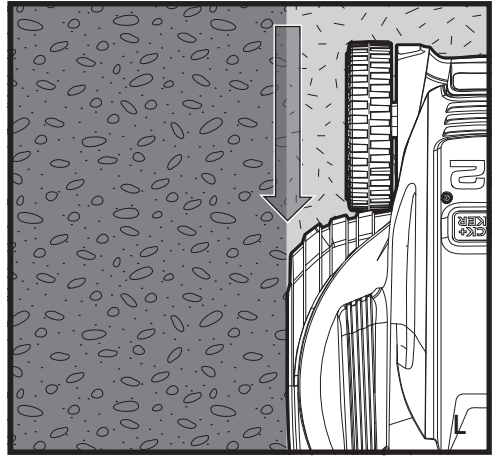
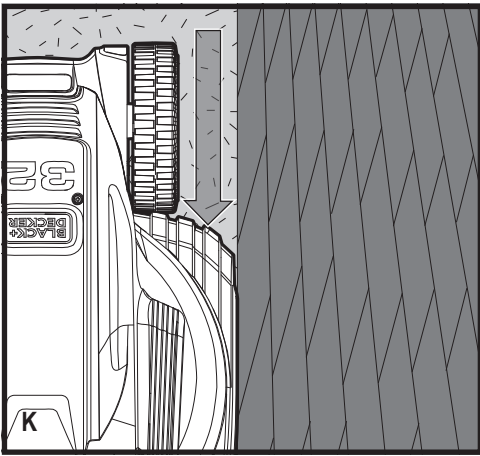
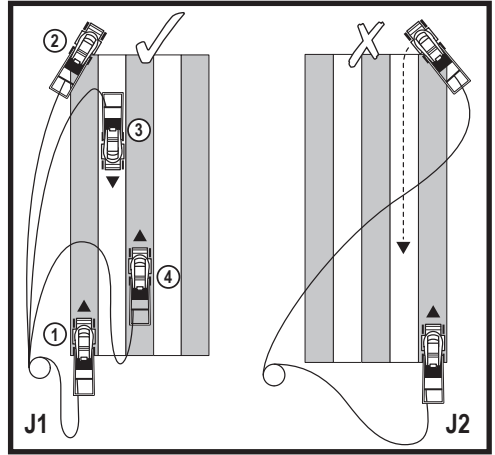
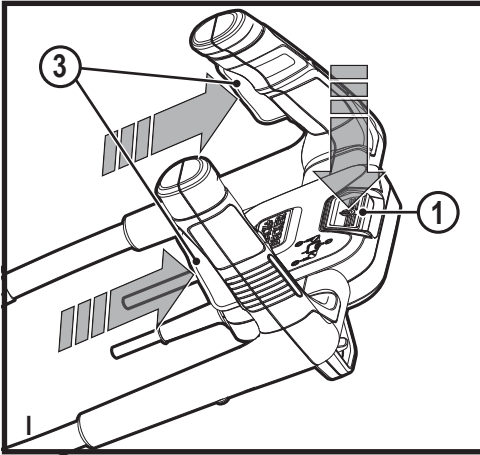
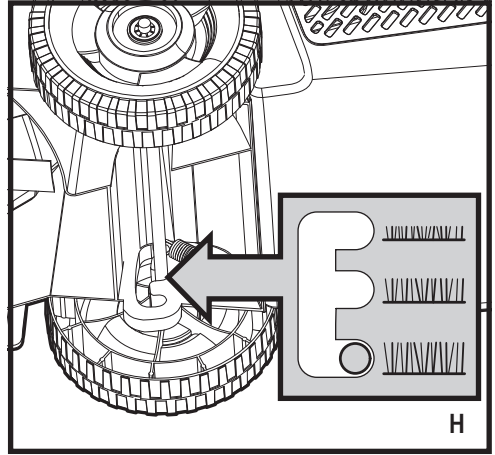
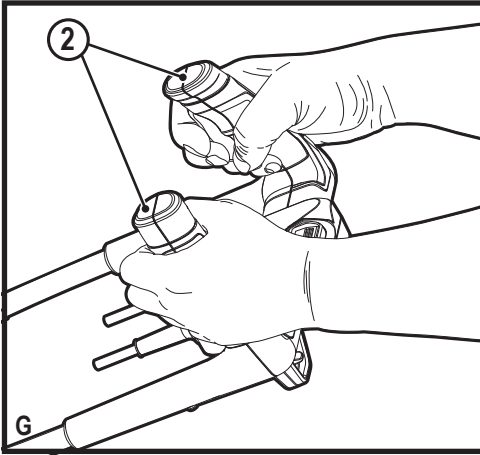


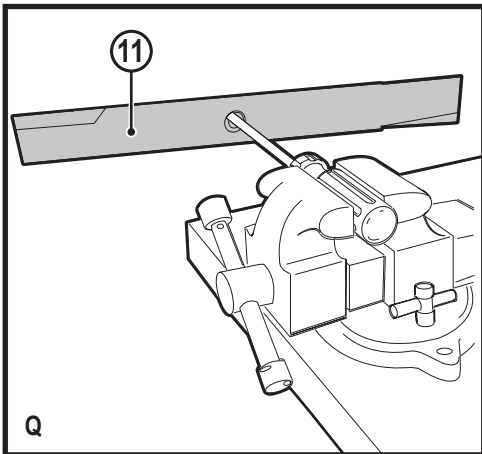
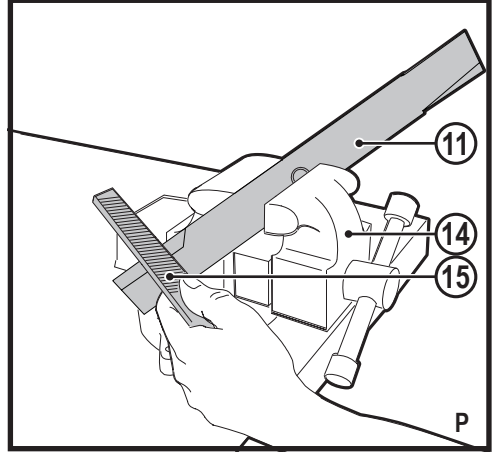
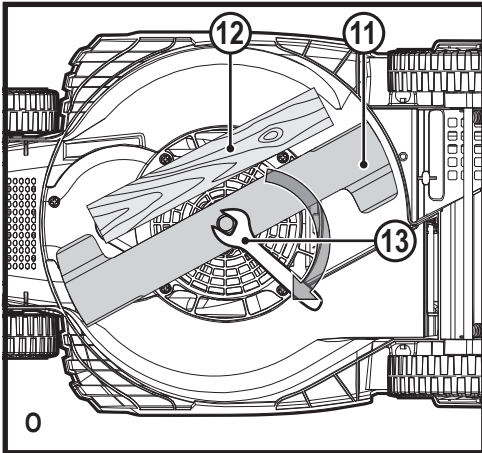
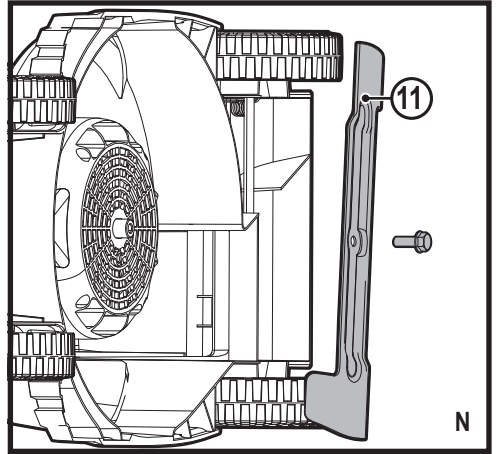
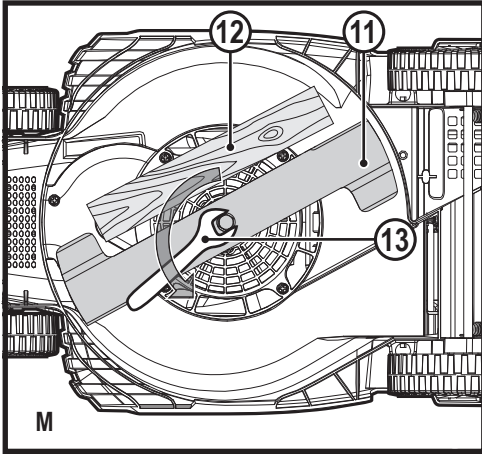
www.blackanddecker.com

BEMW451BH

ENGLISH	5
BAHASA INDONESIA	15
ภาษาไทย	27
TIẾNG VIỆT	37







BEMW451BH LAWN MOWER

Technical data

Voltage	V_{AC}	220-240
Power input	W	1200
No-Load speed	min^{-1}	3500
Height adjustment	mm	23 - 63
Blade length	mm	320
Weight	Kg	10.3

Intended use

Your BLACK+DECKER BEMW451BH lawn mower has been designed for mowing grass. This appliance is intended for consumer use only.

Safety instructions

Warning! When using mains-powered appliances, basic safety precautions, including the following, should always be followed to reduce the risk of fire, electric shock and personal injury.

- u Read all of this manual carefully before using the appliance.
- ◆ The intended use is described in this manual. The use of any accessory or attachment or the performance of any operation with this appliance other than those recommended in this instruction manual may present a risk of personal injury.
- ◆ Retain this manual for future reference.

Training

- ◆ Read the instructions carefully. Be familiar with the controls and the proper use of the appliance.

- ◆ Never allow children or people unfamiliar with these instructions to use the machine. Local regulations can restrict the age of the operator.
- ◆ Never operate the machine while people, especially children, or pets are nearby.
- ◆ Keep in mind that the operator or user is responsible for accidents or hazards occurring to other people or their property.

Preparation

- ◆ While operating the machine always wear substantial footwear and long trousers.
Do not operate the machine when barefoot or wearing open sandals. Avoid wearing clothing that is loose fitting or that has hanging cords or ties.
- ◆ Thoroughly inspect the area where the machine is to be used and remove all objects which can be thrown by the machine.
- ◆ Before using, always visually inspect to see that the blade, blade bolt and the blade assembly are not worn or damaged. Replace worn or damaged components in sets to preserve balance. Replace damaged or unreadable labels.
- ◆ Before use check the supply and extension cord for signs of damage or aging. If the cord becomes damaged during use, disconnect the cord from the supply immediately. DO

NOT TOUCH THE CORD BEFORE DISCONNECTING THE SUPPLY.

Do not use the machine if the cord is damaged or worn.

- ◆ Wear safety glasses or goggles when operating this tool.
Use a face or dust mask whenever the operations take place in dusty surroundings. Hearing protection should be worn whenever the sound level seems uncomfortable.
- ◆ Guard against electric shock.
Prevent body contact with earthed or grounded surfaces (e.g. metal railings, lampposts, etc.).

Operation

- ◆ Never operate the appliance with defective guards or shields, or without safety devices, for example deflectors and/or grass catchers, in place.
- ◆ Only use the appliance in daylight or good artificial light.
- ◆ Do not expose the appliance to rain. Do not use the appliance in damp or wet conditions. Preferably do not use the appliance in wet grass.
- ◆ Be sure of your footing, particularly on slopes. Be aware that freshly cut grass is damp and slippery. Do not work on steep slopes.
- ◆ Work across the face of slopes, never up and down. Take extreme caution when changing direction on slopes.
- ◆ Do not mow excessively steep slopes.
- ◆ Walk, never run when using the appliance. Do not pull the appliance towards you or walk backwards when using the appliance.
- ◆ Switch on the appliance according to instructions and with your feet well away from the blade.
- ◆ Do not start the machine when standing in front of the discharge opening.
- ◆ Do not tilt appliance when switching it on, except if the appliance has to be tilted for starting.
In that case, do not tilt the appliance more than absolutely necessary and lift only the part that is away from the operator. Always ensure that both hands are in the operating position before returning the appliance to the ground.
- ◆ Switch off the appliance and wait for the blade assembly to stop running if the appliance has to be tilted for transportation when crossing surfaces other than grass, and when transporting the appliance to and from the area to be mowed.
- ◆ Do not lift or carry the appliance until the blade has come to a complete standstill.
- ◆ Keep your hands and feet well away from the blade.
- ◆ Do not put your hands or feet near or under rotating parts.
- ◆ Keep away from discharge openings at all times.
- ◆ Switch off, remove the plug from the socket and ensure that moving parts have stopped rotating before leaving the appliance unattended

and before changing, cleaning or inspecting any parts of the appliance or clearing a blockage. After striking a foreign object. Inspect the machine for damage and make repairs before restarting and operating the machine;

- ◆ If the appliance starts to vibrate abnormally or if you hit a foreign object, switch the appliance off and remove the plug from the socket. Check for any damage to the appliance, replace or repair any damaged parts, check for and tighten any loose parts.
- ◆ Take care to keep the mains cable away from the blade. Always be aware of the position of the cable.
- ◆ The motor will continue to run for a few seconds after switching the appliance off. Never attempt to force the blade to come to a standstill.

Maintenance and storage

- ◆ Before use, check the appliance for damaged or defective parts. Check for misalignment and seizure of moving parts, breakage of parts, damage to guards and switches and any other conditions that may affect its operation. Ensure that the appliance will operate properly and perform its intended function. Never use the appliance when any guard or enclosure is damaged or not in place. Do not use the appliance if any part is damaged or defective. Do not use the appliance if the switch does not turn it on and off.

Have any damaged or defective parts repaired or replaced by an authorised repair agent.

- ◆ Check the cable frequently for damage. If the cable is damaged, it must be replaced by an authorised repair agent in order to prevent a hazard. Inspect extension cables periodically. Replace a damaged extension cable immediately.
- ◆ Keep all nuts, bolts and screws on the appliance tight to ensure a safe working condition.
- ◆ Check the grass collector for wear or damage and replace it if necessary. Never use the appliance without the grass collector.
- ◆ Be careful during adjustment of the machine to prevent entrapment of the fingers between moving blades and fixed parts of the machine.
- ◆ When servicing the blades be aware that, even though the power source is switched off, the blades can still be moved.
- ◆ When not in use, the appliance should be stored in a dry place. Children should not have access to stored appliances.
- ◆ Always allow the machine to cool down before storing.
- ◆ Ensure that only replacement cutting means of the right type are used.
- ◆ Use only BLACK+DECKER recommended spare parts and accessories.

Additional safety instructions for Lawnmowers

- ◆ Always use an approved extension cable suitable for the power input of this tool (see technical data). The extension cable must be suitable for outdoor use and marked accordingly. Up to 30 m of 1.5 mm² HO5VV-F extension cable can be used without loss of product performance. Before use, inspect the extension cable for signs of damage, wear and ageing. Replace the extension cable if damaged or defective. When using a cable reel, always unwind the cable completely.
- ◆ Do not transport the machine while the power source is running
- ◆ Firmly grip handle with both hands when operating the lawn mower.
- ◆ If at any time it is felt necessary to tilt the lawn mower, make sure that both hands remain in the operating position while the lawn mower is tilted. Keep both hands in the operating position until the lawn mower is returned to rest correctly on the ground.
- ◆ Never wear radio or music headphones while operating the lawn mower.
- ◆ Never attempt to make a wheel height adjustment while the motor is running or while the safety key is in the switch housing.
- ◆ If the lawn mower stalls, turn mower off, wait for blade to stop, before attempting to unclog the chute or remove anything from under the deck.
- ◆ Keep hands and feet away from cutting area.
- ◆ Keep blades sharp. Always use protective gloves when handling the lawn mower blade.
- ◆ If you are using the grass collector, check it frequently for wear and deterioration. If excessively worn, replace with a new grass collector for your safety.
- ◆ Use extreme caution when reversing or pulling the lawn mower towards you.
- ◆ Do not put hands or feet near or under the lawn mower. Keep clear of the discharger opening at all times.
- ◆ Clear the area where the lawn mower is to be used of objects such as rocks, sticks, wire, toys, bones etc., which could be thrown by the blade. Objects struck by the blade can cause severe injury to persons. Stay behind the handle when the motor is running.
- ◆ Do not operate the lawn mower barefooted or while wearing sandals. Always wear substantial footwear.
- ◆ Do not pull lawn mower backward unless absolutely necessary. Always look down and behind before and while moving backward.
- ◆ Never direct discharged material toward anyone. Avoid discharging material against a wall or obstruction. Material may ricochet back toward the

- operator. Release the start handle to turn the lawn mower off and stop the blade when crossing gravel surfaces.
- ◆ Do not operate the lawn mower without the entire grass collector, discharge guard, rear guard, or other safety protective devices in place and working. Periodically check all guards and safety protective devices to ensure they are in good working order and will operate properly and perform their intended function.
Replace a damaged guard or other safety device before further use.
 - ◆ Never leave a running lawn mower unattended.
 - ◆ Always release the bail bar to stop the motor and wait until the blade comes to a complete stop before cleaning the lawn mower, removing the grass bag, unclogging the discharge guard, when leaving the lawn mower, or before making any adjustments, repairs or inspections.
 - ◆ Operate lawn mower only in daylight or good artificial light when objects in the path of the blade are clearly visible from the operating area of the lawn mower.
 - ◆ Do not operate the lawn mower while under the influence of alcohol or drugs, or when you are tired or ill. Always stay alert, watch what you are doing, and use common sense.
 - ◆ Avoid dangerous environments.
Never operate the lawn mower in damp or wet grass, never use lawn mower in the rain. Always be sure of your footing, walk, never run.
 - ◆ If the lawn mower should start to vibrate abnormally, release the on/off switch, wait for the blade to stop and then check for the cause immediately. Vibration is generally a warning of trouble, see the troubleshooting guide for advice in the case of abnormal vibration.
 - ◆ Always wear proper eye and respiratory protection when operating the lawn mower.
 - ◆ The use of any accessory or attachment not recommended for use with this lawn mower could be hazardous. Only use accessories approved by BLACK+DECKER.
 - ◆ Never overreach while operating the lawn mower. Always be sure to keep proper footing and balance at all times while operating the lawn mower.
 - ◆ Mow across the face of slopes, never up and down.
Exercise extreme caution when changing direction on slopes.
 - ◆ Watch for holes, ruts, bumps, rocks or other hidden objects. Uneven terrain could cause a slip and fall accident.
Tall grass can hide obstacles.
 - ◆ Do not mow on wet grass or excessively steep slopes. Poor footing could cause a slip and fall accident.
 - ◆ Do not mow near drop-offs, ditches, or embankments.
You could lose your footing or balance.
 - ◆ Always allow the mower to cool down before storing.

Pull the plug from the socket. Make sure that all moving parts have come to a complete stop:

- ◆ Whenever you leave the machine;
- ◆ Before clearing a blockage;
- ◆ Before checking, cleaning or working on the appliance.

Safety of others

- ◆ This appliance is not intended for use by persons (including children) with reduced physical, sensory or mental capabilities, or lack of experience and knowledge.

Unless they have been given supervision or instruction concerning use of the appliance by a person responsible for their safety.

- ◆ Children must be supervised to ensure that they do not play with the appliance.
- ◆ After striking a foreign object. Inspect the appliance for damage and make repairs as necessary.

Residual risks

Additional residual risks may arise when using the tool which may not be included in the enclosed safety warnings.

These risks can arise from misuse, prolonged use etc. Even with the application of the relevant safety regulations and the implementation of safety devices, certain residual risks can not be avoided. These include:

- ◆ Injuries caused by touching any moving parts.

- ◆ Injuries caused by touching any hot parts.
- ◆ Injuries caused when changing any parts or accessories.
- ◆ Injuries caused by prolonged use of the appliance. When using any appliance for prolonged periods ensure you take regular breaks.
- ◆ Impairment of hearing.
- ◆ Health hazards caused by breathing dust developed when using your tool (example:- working with wood, especially oak, beech and MDF.)
- ◆ If operating the mower in a damp location is unavoidable, use a residual current device (RCD) with a tripping current of not more than 30 mA. Use of an RCD reduces the risk of electric shock.
- ◆ Never pick up or carry an appliance while the motor is running.

Warning symbols

The following warning symbols are found on the appliance along with the date code:



Warning! Read the manual prior to operation.



Do not expose the appliance to rain or high humidity.



Always remove the plug from the socket before inspecting a damaged cable. Be careful not to use your appliance if the cable is damaged.



Beware of sharp blades.



Beware of flying objects. Keep bystanders away from the cutting area.



Keep the cable away from the cutting blades.



The blades will continue to rotate after the machine is switched off.

Electrical safety



Warning! This tool is double insulated; therefore no earth wire is required. Always check that the power supply corresponds to the voltage on the rating plate.

- ◆ If the supply cord is damaged, it must be replaced by the manufacturer or an authorised BLACK+DECKER Service Centre in order to avoid a hazard.
- ◆ Electric safety can be further improved by using a high sensitivity 30 mA Residual Current Device (RCD).

Features

This appliance includes some or all of the following features.

1. Power button
2. Comfort grip handles
3. On/off switches
4. Upper handle
5. Handle knobs
6. Lower handle
7. Grass box handle
8. Carrying handle
9. Grass collection box
10. Rear flap

Assembly

Warning! Before assembly, make sure that the appliance is switched off and unplugged.

Assembling the grass collection box (fig. A, B and C)

The grass box requires assembly before use and comes in 3 pieces.

- ◆ Clip the handle (7) into the lid (9a) of the grass box (fig. B). The handle will only fit one way round.
- ◆ Align the lid (9a) onto the base of grass collection box (9b). Ensure that the guides are aligned (fig. C)

Note: Take extra care when aligning the 2 clips at the rear of the grass collection box.

- ◆ Push down on the lid to secure all clips. Begin at the back and ensure that all clips are securely located.

Fitting the lower handle (fig. D)

- ◆ Insert the ends of the lower handles (6) into the corresponding holes in the mower.
- ◆ Press the handle down as far as it will go.
- ◆ Secure the handle using the screws.

Assembling the upper handle (fig. E)

- ◆ Fit the upper handle (4) to the lower handle (6) using the knobs (5), washers and screws as shown.

Note: The upper handle can be fixed in 2 different height positions.

Fitting the grass collection box (fig. F)

- ◆ Lift the flap (10) and place the grass collection box (9) over the lugs.

Proper Hand Position (Fig. G)

Warning! To reduce the risk of serious personal injury, ALWAYS use proper hand position as shown.

Warning!: To reduce the risk of serious personal injury, ALWAYS hold securely in anticipation of a sudden reaction.

Proper hand position requires one hand on each of the comfort grip handles (2).

Adjusting the height of cut (fig. H)

Warning! Ensure the blade has completely stopped and disconnect the appliance from the mains.

The height of cut is adjusted by altering the height of all the wheels, there are 3 positions to choose from.

- ◆ Remove the grass collection box (9).
- ◆ Turn the lawnmower upside down.
- ◆ Take hold of a wheel and push/pull the axle from its current location.
- ◆ Move the wheel up/down into the next available location.

Note: Adjust one wheel at a time. Adjust one height position at a time.

Switching on and off (fig. I)

Switching on

- ◆ Push the power button (1).
- ◆ Pull the right or left ON/OFF switch (3) towards the handle.

Switching off

- ◆ Release ON/OFF switches (3).

Warning! Never attempt to lock a switch in the on position.

Mowing (fig. J1 & J2)

We recommend to use your mower as outlined in this section in order to achieve optimum results and to reduce the risk of cutting the mains cable.

- ◆ Place the bulk of the mains cable on the lawn, close to the starting point (position 1 in fig. J1).
- ◆ Switch the appliance on as described above.
- ◆ Proceed as shown in fig. J1
- ◆ Move from position 1 to position 2.
- ◆ Turn right and proceed towards position 3.
- ◆ Turn left and move towards position 4.
- ◆ Repeat the above procedure as required.

Warning! Do not work towards the cable as shown in fig. J2.

Up to edge cutting (fig. K, L)

Up to edge cutting you to cut grass right up to the edge of a wall or fence (fig K).

Up to edge cutting allows you to accurately cut grass right up to the edge of your lawn (fig L).

- ◆ With the lawnmower parallel with the edge of your lawn, push the lawnmower along the edge of the lawn. Ensure that the edge of the mower is slightly over the edge of your lawn (fig.L).

Removing Blade (Fig. M, N)

Note: The BEMW451BH uses the BLACK+DECKER new winged blade (Cat # A6319) for improved collection.

Warning! Ensure the blade has completely stopped and disconnect the mower from the power source.

- ◆ Cut a piece of 2x4 wood (12) 305mm to keep blade from turning while removing flange nut.
- ◆ Turn the appliance onto its side. Wear gloves and proper eye protection. Be careful of sharp edges of blade.
- ◆ Position piece of wood (12) to keep blade from turning as shown in Fig. M.
- ◆ Use a 13mm wrench (13) to loosen and remove the blade bolt by turning counterclockwise.
- ◆ Pull off blade (11) as shown in Fig. N. Examine all pieces for damage and replace if necessary.

Installing Blade (Fig. O)

- ◆ Place the blade (11) onto bolt shaft with the lettering on the blade facing out, and place the blade bolt onto the bolt shaft.
- ◆ Tighten the blade bolt as firmly as possible by hand.
- ◆ Position piece of wood (12) to keep blade from turning as shown in Fig. O.
- ◆ Use a 13mm wrench to securely tighten the blade bolt by turning the wrench clockwise.

Blade sharpening

Keep blade sharp for best mower performance. A dull blade does not cut grass cleanly. Use proper eye protection while removing, sharpening, and installing blade. Sharpening the blade twice during a mowing season is usually sufficient under normal circumstances.

Sand causes the blade to dull quickly. If your lawn has sandy soil, more frequent sharpening may be required.

Note: Replace bent or damaged blade immediately.

When sharpening the blade:

- ◆ Make sure blade remains balanced.
- ◆ Sharpen blade at the original cutting angle.
- ◆ Sharpen cutting edges on both ends of blade, removing equal amounts of material from both ends.

To sharpen blade in a vice (fig. P)

- ◆ Be sure the blade has stopped and the mower is unplugged before removing the blade.
 - ◆ Remove blade from mower. See instructions for removing and installing blade.
 - ◆ Secure blade (11) in a vice (14).
 - ◆ Wear proper eye protection and gloves and be careful not to cut yourself.
- Carefully file the cutting edges of the blade with a fine tooth file (15) or sharpening stone, maintaining the angle of the original cutting edge. Check balance of blade. See instructions for blade balancing.
- ◆ Replace blade on mower and tighten securely.

Blade balancing (fig. Q)

Check balance of the blade (11) by placing centre hole in the blade over a nail or round shank screwdriver, clamped horizontally in a vice. If either end of the blade rotates downward, file along the sharp edge of that dropping end. Blade is properly balanced when neither end drops.

Lubrication

No lubrication is necessary. Do not oil the wheels. They have plastic bearing surfaces which require no lubrication.

Cleaning

Turn the mower off and let the blade come to a stop. Use only mild soap and a damp cloth to clean the mower. Clean out any

clippings which may have accumulated on the underside of the deck. After several uses, check all exposed fasteners for tightness.

Preventing corrosion

Fertilizers and other garden chemicals contain agents which greatly accelerate the corrosion of metals. If you mow in areas where fertilizers or chemicals have been used, the mower should be cleaned immediately afterward as follows:
Turn the mower off and unplug mower. Wipe all exposed parts with a damp cloth.

Maintenance

Your BLACK+DECKER corded/cordless appliance/tool has been designed to operate over a long period of time with a minimum of maintenance. Continuous satisfactory operation depends upon proper tool/appliance care and regular cleaning.

Warning! Before performing any maintenance on corded/cordless power tools:

- ◆ Switch off and unplug the appliance/tool.
- ◆ Regularly clean the ventilation slots in your tool/appliance using a soft brush or dry cloth.
- ◆ Regularly clean the motor housing using a damp cloth. Do not use any abrasive or solvent-based cleaner.
- ◆ Regularly use a blunt scraper to remove grass and dirt from the underneath of the guard.

Troubleshooting

If your appliance seems not to operate properly, follow the instructions below. If this does not solve the problem, please contact your local BLACK+DECKER repair agent.

Warning! Before proceeding, release the bail bar to turn mower off and wait for the blade to stop.

Problem	Possible cause	Possible solution
Mower will not start.	Cord is not plugged in.	Plug mower into a working outlet.
	Circuit fuse is blown.	Replace circuit fuse. (If the product repeatedly causes the circuit fuse to blow, discontinue use immediately and have it serviced by an authorised BLACK+DECKER service center.
	Cord or switch is damaged.	Have cord or switch replaced at an authorised BLACK+DECKER service center.
	Grass too long.	Increase the height of cut and move machine to shorter grass to start.
Machine functions intermittently.	Thermal cut out activated.	Allow motor to cool and increase height of cut.
Machine leaves ragged finish or motor labours.	Height of cut too low.	Increase height of cut.
	Cutting blade blunt.	Replace the blade.
	Underside of machine clogged.	Check underneath the machine and clear out as necessary (always wear heavy duty gloves)
	Blade fitted upside down.	Refit blade correctly.

Protecting the environment



Separate collection. Products and batteries marked with this symbol must not be disposed of with normal household waste.

Products and batteries contain materials that can be recovered or recycled, reducing demand for raw materials. Please recycle electrical products and batteries according to local provisions. Further information is available at www.2helpU.com

Service Information

BLACK+DECKER offers a full network of company-owned and authorized service locations throughout Asia. All BLACK+DECKER Service Centers are staffed with trained personnel to provide customers with efficient and reliable product service.

Whether you need technical advice, repair, or genuine factory replacement parts, contact the BLACK+DECKER location nearest to you.

NOTE

- ◆ BLACK+DECKER's policy is one of continuous improvement to our products and, as such, we reserve the right to change product specifications without prior notice.
- ◆ Standard equipment and accessories may vary by country.
- ◆ Product specifications may differ by country.
- ◆ Complete product range may not be available in all countries. Contact your local BLACK+DECKER dealers for range availability.

BEMW451BH PEMOTONG RUMPUT

Data teknis

Voltase	V_{AC}	220-240
Masukan daya	W	1200
Kecepatan tanpa beban	mnt ¹	3500
Penyesuaian ketinggian	mm	23 - 63
Panjang Bilah	mm	320
Berat	Kg	10,3

Tujuan penggunaan

Mesin pemotong rumput BLACK+DECKER BEMW451BH Anda dirancang untuk memotong rumput. Peralatan ini hanya ditujukan untuk penggunaan non-profesional.

Petunjuk keselamatan

Peringatan! Setiap kali menggunakan peralatan listrik, langkah-langkah pencegahan dasar untuk keselamatan, termasuk yang disebutkan berikut ini, harus selalu diikuti guna mengurangi risiko terjadinya kebakaran, sengatan listrik, dan cedera.

- ◆ Bacalah seluruh isi panduan ini dengan saksama sebelum mengoperasikan peralatan.
- ◆ Tujuan penggunaan dijelaskan dalam panduan ini. Penggunaan aksesoris atau peralatan tambahan atau pengoperasian peralatan selain yang disarankan dalam panduan pengguna ini dapat menimbulkan risiko cedera tubuh.
- ◆ Simpan panduan ini sebagai referensi di masa mendatang.

- ◆ Bacalah semua petunjuk dengan saksama. Kenalilah semua tuas pengendali serta cara penggunaan peralatan yang benar.
- ◆ Jangan pernah membiarkan peralatan ini digunakan oleh anak-anak atau oleh mereka yang tidak memahami semua petunjuk ini. Peraturan setempat dapat membatasi usia pengguna.
- ◆ Jangan mengoperasikan alat ini saat orang lain, khususnya anak-anak, atau binatang peliharaan tengah berada di dekat Anda.
- ◆ Ingatlah bahwa operator atau pengguna senantiasa bertanggung jawab atas kecelakaan atau bahaya yang terjadi pada orang lain maupun barang-barang milik mereka.

Persiapan

- ◆ Kenakan selalu alas kaki dan celana panjang yang sesuai saat mengoperasikan mesin. Jangan bertelanjang kaki atau mengenakan sandal terbuka saat mengoperasikan mesin. Hindari mengenakan pakaian yang longgar atau yang memiliki tali atau pengikat yang menjuntai.
- ◆ Periksa terlebih dahulu lokasi penggunaan mesin dengan saksama dan singkirkan segala jenis benda yang bisa dilontarkan oleh mesin.
- ◆ Sebelum digunakan, periksa selalu

Latihan

secara visual bahwa bilah, baut bilah, dan rangkaian bilah tidak aus atau rusak. Gantilah komponen yang sudah aus atau rusak secara satu set agar keseimbangan tetap terjaga. Gantilah juga label yang sudah rusak atau tidak terbaca lagi.

- ◆ Sebelum digunakan, periksalah apakah ada tanda-tanda kerusakan atau keausan pada kabel daya dan kabel tambahan. Jika kabel ternyata rusak saat alat ini digunakan, segera cabut kabel dari sumber listrik.
JANGAN SENTUH KABEL SEBELUM DICABUT DARI SUMBER LISTRIK.
Jangan gunakan mesin ini jika kabel dalam kondisi rusak atau aus.
- ◆ Kenakanlah kaca mata pengaman atau pelindung mata saat mengoperasikan peralatan ini.
Gunakan masker wajah atau masker antidebu jika pengoperasian dilakukan di lingkungan yang berdebu. Disarankan untuk menggunakan pelindung telinga bila tingkat kebisingan terasa tidak nyaman.
- ◆ Waspada terhadap sengatan listrik. Jagalah agar tubuh Anda tidak bersentuhan dengan permukaan yang dibumikan (seperti pembatas berbahan logam, tiang lampu, dll.).

Pengoperasian

- ◆ Jangan pernah mengoperasikan peralatan ini bila komponen pengaman atau pelindungnya rusak, atau bila perangkat pengamannya, misalnya deflektor dan/atau penampung rumput, dalam keadaan tidak terpasang.
- ◆ Gunakan peralatan hanya pada siang hari atau di bawah pencahayaan yang cukup.
- ◆ Jangan sampai alat ini terkena hujan. Jangan gunakan peralatan dalam kondisi lembap atau basah. Sebaiknya jangan menggunakan alat ini pada rumput yang basah.
- ◆ Pastikan pijakan Anda kuat, terutama di atas bidang miring. Waspada karena rumput yang baru dipotong kondisinya basah dan licin. Jangan bekerja di atas bidang dengan kemiringan yang curam.
- ◆ Saat bekerja di atas bidang miring, arah pemotongan harus dibuat dari kiri ke kanan melintasi permukaannya, jangan pernah dari atas ke bawah. Anda harus sangat berhati-hati saat berganti arah pemotongan di atas bidang miring.
- ◆ Jangan melakukan pemotongan secara berlebihan di atas bidang miring.
- ◆ Saat menggunakan peralatan ini, berjalanlah, jangan pernah berlari. Jangan pernah menarik peralatan ini ke arah Anda atau berjalan mundur saat Anda menggunakannya.
- ◆ Nyalakanlah peralatan ini sesuai

petunjuk dengan kedua kaki berada jauh dari bilah.

- ◆ Jangan menyalakan mesin ini saat Anda tengah berdiri di depan bukaan pembuangan.
- ◆ Jangan memiringkan peralatan ini saat dinyalakan, kecuali jika peralatan memang harus dimiringkan untuk menyalakannya. Dalam kasus tersebut, jangan memiringkan peralatan ini melebihi apa yang telah mutlak ditentukan, dengan mengangkat peralatan hanya pada bagian yang tidak menghadap ke arah pengguna. Pastikan selalu bahwa kedua tangan Anda berada pada posisi pengoperasian sebelum mengembalikan peralatan ke atas permukaan tanah.
- ◆ Matikan peralatan dan tunggu hingga rangkaian bilah telah berhenti berputar jika peralatan harus dimiringkan guna memindahkannya melintasi permukaan selain rumput, serta saat memindahkan peralatan menuju atau dari lokasi pemotongan.
- ◆ Jangan mengangkat atau membawa peralatan ini sebelum bilahnya berhenti sepenuhnya.
- ◆ Jauhkanlah tangan dan kaki Anda dari bilah.
- ◆ Jangan menempatkan tangan atau kaki Anda di dekat atau di bawah bagian-bagian yang berputar.
- ◆ Selalu jauhkan diri Anda dari bukaan

pembuangan.

- ◆ Matikan daya, cabut steker dari stopkontak, dan pastikan bahwa semua komponen bergerak telah berhenti berputar sebelum meninggalkan peralatan ini dalam keadaan tak terjaga, maupun sebelum mengganti, membersihkan, atau memeriksa komponen peralatan, serta sebelum membersihkan penyumbatan. Setelah peralatan menabrak benda asing, periksa apakah terjadi kerusakan pada mesin, kemudian lakukan perbaikan sebelum menyalakan ulang atau mengoperasikan mesin kembali.
- ◆ Jika peralatan ini mulai bergetar secara tidak normal atau jika Anda menabrak benda asing, matikan peralatan kemudian cabut steker dari stopkontak. Periksa apakah terjadi kerusakan pada peralatan, ganti atau perbaiki komponen yang rusak, periksa dan kencangkan komponen yang longgar.
- ◆ Pastikanlah kabel listrik selalu berada jauh dari bilah. Selalu perhatikan posisi kabel listrik tersebut.
- ◆ Motor akan tetap menyala selama beberapa detik setelah peralatan dimatikan. Jangan pernah mencoba untuk menghentikan bilah secara paksa.

Perawatan dan penyimpanan

- ◆ Sebelum digunakan, periksa apakah ada komponen peralatan yang rusak atau cacat.

Periksa apakah ada komponen bergerak yang tidak lurus atau bergetar, komponen yang pecah, kerusakan pada komponen pengaman, tuas, maupun kondisi lain apa pun yang dapat mempengaruhi pengoperasian. Pastikan agar peralatan dapat beroperasi dengan baik serta dapat berfungsi sebagaimana mestinya. Jangan pernah menggunakan peralatan ini bila ada komponen pengaman atau pelindung yang rusak atau tidak terpasang. Jangan gunakan peralatan ini jika ada komponen yang rusak atau cacat. Jangan gunakan peralatan ini jika sakelar dayanya tidak dapat menyalakan atau mematikan peralatan.

Mintalah agen perbaikan resmi untuk memperbaiki atau mengganti bagian yang rusak maupun cacat.

- ◆ Periksalah apakah ada kerusakan pada kabel secara rutin. Jika kabel rusak, maka komponen tersebut harus diganti oleh agen perbaikan resmi guna menghindari terjadinya bahaya. Periksalah kabel ekstensi secara berkala. Segeralah ganti kabel ekstensi yang rusak.

- ◆ Pastikan semua mur, baut, dan sekrup pada peralatan dalam keadaan kencang guna memastikan suatu kondisi pengoperasian yang aman.
- ◆ Periksa apakah terjadi keausan atau kerusakan pada penampung rumput, dan gantilah komponen tersebut bila perlu. Jangan pernah menggunakan peralatan ini tanpa penampung rumput.
- ◆ Berhati-hatilah saat menyesuaikan mesin guna menghindari terjepitnya jari di antara bilah yang berputar dan komponen yang tidak bergerak pada mesin ini.
- ◆ Bila melakukan servis terhadap bilah, waspadalah bahwa walaupun sumber daya telah dimatikan, bilah tersebut masih dapat bergerak.
- ◆ Bila tidak digunakan, peralatan ini harus disimpan di tempat yang kering. Jangan biarkan anak-anak mengakses peralatan yang disimpan.
- ◆ Selalu biarkan mesin hingga dingin terlebih dahulu sebelum disimpan.
- ◆ Pastikanlah untuk menggunakan komponen pemotong pengganti dengan tipe yang sesuai saja.
- ◆ Dianjurkan untuk hanya menggunakan suku cadang dan aksesori Black & Decker yang direkomendasikan.

Petunjuk keamanan tambahan untuk Mesin Pemotong Rumput.

- ◆ Gunakan selalu kabel ekstensi yang telah diakui dan sesuai dengan input daya alat ini (lihat data teknis). Kabel ekstensi tersebut harus dapat digunakan di luar ruangan serta memiliki penanda yang sesuai. Kabel ekstensi HO5VV-F berdiameter 1,5 mm² hingga 30 m dapat digunakan tanpa kehilangan kinerja produk. Sebelum digunakan, periksalah apakah ada tanda-tanda kerusakan atau keausan pada kabel ekstensi. Ganti kabel ekstensi jika rusak atau cacat. Bila menggunakan gulungan kabel, selalu ulur kabel sepenuhnya.
- ◆ Jangan mengangkut mesin saat sumber dayanya sedang menyala
- ◆ Pegang pegangan dengan erat menggunakan kedua tangan saat mengoperasikan mesin pemotong rumput.
- ◆ Jika sewaktu-waktu perlu memiringkan mesin pemotong rumput, pastikan kedua tangan tetap berada dalam posisi pengoperasian saat mesin pemotong rumput dimiringkan. Kedua tangan harus tetap di posisi operasi sampai mesin pemotong rumput diletakkan kembali dengan benar di atas tanah.
- ◆ Jangan pernah memakai headphone radio atau musik saat mengoperasikan mesin pemotong rumput.
- ◆ Jangan pernah mencoba melakukan penyesuaian ketinggian roda saat motor sedang berjalan atau saat kunci pengaman berada di kerangka sakelar.
- ◆ Jika mesin pemotong rumput macet, matikan mesin pemotong rumput, tunggu sampai bilah berhenti, sebelum mencoba membersihkan saluran atau mengeluarkan apa pun dari bawah dek.
- ◆ Jauhkan kedua tangan dan kaki dari area pemotongan.
- ◆ Jaga agar bilah tetap tajam. Selalu gunakan sarung tangan pelindung saat memegang bilah pemotong rumput.
- ◆ Jika Anda menggunakan penampung rumput, periksalah adanya keausan dan penurunan fungsi secara berkala. Jika sudah sangat aus, ganti dengan penampung rumput baru demi keselamatan Anda.
- ◆ Berhati-hatilah saat membalik atau menarik mesin pemotong rumput ke arah Anda.
- ◆ Jangan menempatkan tangan atau kaki Anda di dekat atau di bawah mesin pemotong rumput. Jaga agar bukaan pembuangan selalu tetap bersih.
- ◆ Bersihkan area di mana mesin pemotong rumput akan digunakan dari benda-benda seperti bebatuan, batang kayu, kawat, mainan, tulang dll., yang dapat terlempar oleh bilah. Benda yang terlempar oleh bilah dapat menyebabkan luka parah pada seseorang.

- Tetaplah berada di belakang pegangan saat motor sedang beroperasi.
- ◆ Jangan mengoperasikan mesin pemotong rumput dengan bertelanjang kaki atau hanya menggunakan sandal. Selalu kenakan alas kaki yang sesuai.
 - ◆ Jangan tarik pemotong rumput ke belakang kecuali jika benar-benar diperlukan. Selalu lihat ke bawah dan ke belakang sebelum dan saat bergerak mundur.
 - ◆ Jangan sekali-kali mengarahkan benda-benda yang dikeluarkan ke arah siapa pun. Hindari mengeluarkan benda ke dinding atau benda penghalang. Benda mungkin memantul kembali ke arah operator. Lepaskan pegangan awal untuk mematikan mesin pemotong rumput dan menghentikan bilah saat melintasi permukaan berkerikil.
 - ◆ Jangan mengoperasikan mesin pemotong rumput jika seluruh penampung rumput, pengaman pengeluaran, pengaman belakang, atau alat pelindung keselamatan lainnya tidak terpasang dan berfungsi. Periksa semua pengaman dan perangkat pelindung keselamatan guna memastikan bahwa alat-alat tersebut dalam keadaan baik dan akan beroperasi dengan benar dan menjalankan fungsinya dengan tepat. Ganti pengaman yang rusak atau perangkat keselamatan lainnya sebelum digunakan kembali.
 - ◆ Jangan pernah meninggalkan mesin pemotong rumput yang sedang beroperasi tanpa pengawasan.
 - ◆ Selalu lepaskan balok pengikat untuk menghentikan motor dan tunggulah hingga bilah berhenti total, sebelum membersihkan mesin pemotong rumput, melepaskan kantung rumput, membersihkan pengaman pembuangan, saat meninggalkan mesin pemotong rumput, atau sebelum melakukan penyesuaian, perbaikan, atau pemeriksaan apa pun.
 - ◆ Operasikan mesin pemotong rumput hanya di siang hari atau jika ada pencahayaan yang memadai, sehingga benda di jalur bilah dapat terlihat dengan jelas dari area operasi mesin pemotong rumput.
 - ◆ Jangan mengoperasikan mesin pemotong rumput saat berada di bawah pengaruh alkohol atau narkoba, atau saat Anda lelah atau sakit. Tetaplah waspada, perhatikan apa yang Anda tengah kerjakan dan gunakan akal sehat.
 - ◆ Jangan gunakan di lingkungan yang berbahaya.
Jangan pernah mengoperasikan mesin pemotong rumput di rumput yang lembap atau basah, jangan sekali-kali menggunakan mesin pemotong rumput saat turun hujan. Selalu awasi pijakan kaki Anda, gunakan dengan berjalan dan jangan pernah berlari.

- ◆ Jika mesin pemotong rumput mulai bergetar secara tidak normal, lepaskan sakelar on/off, tunggu bilah berhenti berputar dan segera periksa penyebabnya. Getaran umumnya merupakan pertanda adanya masalah, lihat panduan pemecahan masalah untuk mengetahui apa yang harus dilakukan jika terjadi getaran yang tidak normal.
- ◆ Selalu kenakan pelindung mata dan pernapasan saat mengoperasikan mesin pemotong rumput.
- ◆ Penggunaan aksesoris atau peralatan tambahan apa pun yang tidak direkomendasikan untuk digunakan dengan mesin pemotong rumput ini dapat berbahaya. Hanya gunakan aksesoris yang disetujui oleh BLACK+DECKER.
- ◆ Jangan pernah melampaui batas saat mengoperasikan mesin pemotong rumput. Selalu jaga pijakan dan keseimbangan yang baik saat mengoperasikan mesin pemotong rumput.
- ◆ Saat memotong rumput di atas bidang miring, arah pemotongan harus dibuat dari kiri ke kanan melintasi permukaannya, jangan pernah dari atas ke bawah.
Anda harus sangat berhati-hati saat berganti arah pemotongan di atas bidang miring.
- ◆ Hati-hati terhadap lubang, gundukan, jejak roda, batu, atau benda tersembunyi lainnya. Medan yang tidak rata dapat menyebabkan tergelincir dan terjatuh. Rumput yang tinggi dapat menghalangi pandangan dari gangguan.
- ◆ Jangan melakukan pemotongan di rumput yang basah atau bidang dengan kemiringan curam. Pijakan kaki yang tidak kokoh dapat menyebabkan terpeleset dan terjatuh.
- ◆ Jangan melakukan pemotongan di dekat lahan miring, parit, atau tanggul. Anda bisa kehilangan pijakan atau keseimbangan Anda.
- ◆ Selalu biarkan mesin hingga dingin terlebih dahulu sebelum disimpan. Tarik steker dari soket. Pastikan semua bagian yang bergerak sudah berhenti total:
- ◆ Kapan pun Anda meninggalkan peralatan ini;
- ◆ Sebelum membersihkan penyumbatan;
- ◆ Sebelum memeriksa, membersihkan, atau mengoperasikan peralatan ini.

Keselamatan orang lain

- ◆ Alat ini tidak ditujukan untuk penggunaan oleh orang (termasuk anak-anak) yang menderita kekurangan kemampuan fisik, sensorik, atau mental, atau kurang pengalaman dan pengetahuan. Kecuali jika mereka diawasi atau diarahkan dalam penggunaan peralatan ini oleh orang yang bertanggung jawab atas keselamatan mereka.

- ♦ Anak-anak harus diawasi untuk memastikan agar mereka tidak bermain dengan peralatan ini.
- ♦ Setelah peralatan menabrak benda asing. Periksa peralatan untuk mengetahui kerusakan dan lakukan perbaikan seperlunya.

Risiko-risiko lain

Risiko-risiko lain dapat timbul saat menggunakan alat, yang mungkin tidak tercantum dalam peringatan keselamatan yang disertakan.

Risiko-risiko ini dapat diakibatkan oleh penyalahgunaan, penggunaan yang terlalu lama, dsb. Sekalipun peraturan keselamatan terkait sudah diterapkan dan peralatan pengaman sudah digunakan, risiko-risiko lain tertentu tidak dapat dihindari. Ini meliputi:

- ♦ Cedera karena menyentuh komponen bergerak mana pun.
- ♦ Cedera akibat menyentuh komponen panas mana pun.
- ♦ Cedera yang terjadi saat mengganti komponen atau aksesori.
- ♦ Cedera akibat penggunaan peralatan ini selama jangka waktu yang lama. Jika menggunakan peralatan apa pun selama jangka waktu yang lama, pastikan Anda mengistirahatkannya secara berkala.
- ♦ Kerusakan indera pendengaran.
- ♦ Bahaya kesehatan yang disebabkan oleh menghirup debu yang ditimbulkan oleh penggunaan alat (contoh: - mengebor kayu, khususnya kayu oak, beech, dan MDF.)

- ♦ Jika penggunaan alat pemotong rumput di lokasi lembap tidak bisa dihindari, gunakan perangkat arus sisa (RCD) dengan jumlah arus yang melewati perangkat tidak lebih dari 30mA.

Penggunaan RCD akan mengurangi risiko sengatan listrik.

- ♦ Jangan pernah mengangkut atau membawa peralatan saat motor sedang beroperasi.

Simbol peringatan

Simbol berikut beserta kode tanggal ditampilkan pada peralatan:



Peringatan! Bacalah buku petunjuk ini sebelum memulai pengoperasian.



Jangan biarkan peralatan ini terkena hujan atau berada dalam kondisi basah.



Selalu lepaskan steker dari stopkontak sebelum memeriksa kabel yang rusak. Berhati-hatilah agar tidak menggunakan peralatan Anda jika kabelnya rusak.



Waspadalah terhadap bilah yang tajam.



Waspadalah terhadap benda-benda yang beterbangan. Jauhkan orang-orang yang berada di sekitar Anda dari area pemotongan.



Jauhkan kabel dari bilah pemotong.



Bilah akan tetap berputar setelah mesin dimatikan.

Keselamatan kelistrikan



Peringatan! Alat ini berisolasi ganda; sehingga kabel arde (ground) tidak diperlukan. Selalu periksa apakah catu daya sesuai dengan nilai tegangan yang tercantum pada papan nilai.

- ◆ Jika rusak, kabel daya harus diganti oleh produsen atau Pusat Servis BLACK+DECKER resmi guna menghindari terjadinya bahaya.
- ◆ Keselamatan kerja kelistrikan dapat lebih ditingkatkan dengan menggunakan Perangkat Arus Residual (RCD) 30 mA bersensitivitas tinggi.

Fitur

Peralatan ini memiliki beberapa atau semua fitur berikut ini.

1. Tombol daya
2. Gagang pegangan yang nyaman
3. Sakelar on/off
4. Pegangan bagian atas
5. Kenop pegangan
6. Pegangan bagian bawah
7. Pegangan wadah rumput
8. Pegangan angkat
9. Wadah penampung rumput
10. Tutup belakang

Perakitan

Peringatan! Sebelum dirakit, pastikan bahwa alat ini sudah dimatikan dan dicabut dari stopkontak.

Merakit wadah penampung rumput (gbr. A,B, dan C)

Wadah rumput perlu dirakit terlebih dahulu sebelum dapat digunakan dan terdiri dari 3 bagian.

- ◆ Kaitkan pegangan (7) ke dalam tutup (9a) wadah rumput (gbr. B). Pegangan hanya akan terpasang satu arah.
- ◆ Luruskan penutup (9a) dengan alas wadah penampung rumput (9b). Pastikan agar pemandu tadi sudah lurus (gbr. C)

Catatan: Anda harus ekstra hati-hati saat meluruskan 2 pengait di belakang wadah penampung rumput.

- ◆ Tekan penutup ke bawah untuk mengunci semua pengait. Mulailah dari bagian belakang dan pastikan agar semua pengait sudah terkunci.

Memasang pegangan bagian bawah (gbr. D)

- ◆ Masukkan ujung pegangan bagian bawah (6) ke dalam lubang yang sesuai pada pemotong rumput.
- ◆ Tekan pegangan ke bawah sejauh mungkin.
- ◆ Kencangkan pegangan dengan sekrup.

Memasang pegangan bagian atas (gbr. E)

- ◆ Pasangkan pegangan bagian atas (4) pada pegangan bagian bawah (6) menggunakan kenop (5), ring baut, dan sekrup seperti yang ditunjukkan.

Catatan: Pegangan bagian atas dapat dipasang pada dua posisi ketinggian yang berbeda.

Memasang wadah penampung rumput (gbr. F)

- ◆ Angkat tutup (10) dan letakkan wadah penampung rumput (9) di atas dudukan.

Posisi Tangan Yang Benar (Gbr. G)

Peringatan! Untuk mengurangi risiko cedera diri, SELALU gunakan posisi tangan seperti yang ditunjukkan.

Peringatan! Untuk mengurangi risiko cedera diri, SELALU pegang dengan erat untuk mengantisipasi reaksi mendadak. Posisi tangan yang tepat mengharuskan pegangan kedua tangan pada pegangan gagang utama (2).

Menyesuaikan tinggi pemotongan (gbr. H)

Peringatan! Pastikan bilah sudah benar-benar berhenti dan lepaskan alat dari sumber listriknya.

Tinggi pemotongan dapat disesuaikan dengan cara mengubah semua ketinggian roda-roda peralatan, dengan tiga posisi ketinggian yang dapat dipilih.

- ◆ Lepaskan wadah penampung rumput (9).
- ◆ Balikkan posisi mesin pemotong rumput.
- ◆ Pegang salah satu roda, lalu dorong/tarik as roda dari posisinya yang sekarang.
- ◆ Gerakkan roda ke atas/ke bawah hingga ke posisi berikutnya yang tersedia.

Catatan: Sesuaikan roda satu per satu. Sesuaikan posisi ketinggian satu per satu.

Menyalakan dan mematikan peralatan (gbr. I)

Menyalakan

- ◆ Tekan tombol daya (1).
- ◆ Tarik sakelar ON/OFF (3) ke arah pegangan.

Mematikan

- ◆ Lepaskan sakelar ON/OFF (3).

Peringatan! Jangan pernah mencoba untuk mengunci sakelar dalam keadaan menyala.

Memotong rumput (gbr. J1 & J2)

Kami menyarankan agar Anda menggunakan mesin pemotong rumput Anda sesuai dengan penjelasan yang ada di bagian ini guna memperoleh hasil terbaik serta mengurangi risiko terpotongnya kabel daya.

- ◆ Letakkan sebagian besar kabel daya di atas pekarangan, di dekat titik mulai (posisi 1 dalam gbr. J1).
- ◆ Nyalakan peralatan seperti yang telah dijelaskan di atas.
- ◆ Lanjutkan seperti yang ditunjukkan dalam gbr. J1.
- ◆ Bergeraklah dari posisi 1 ke posisi 2.
- ◆ Belok kanan dan lanjutkan hingga posisi 3.
- ◆ Belok kiri dan lanjutkan hingga posisi 4.
- ◆ Ulangi prosedur di atas sesuai kebutuhan.

Peringatan! Jangan bekerja ke arah kabel seperti yang ditunjukkan dalam gbr. J2.

Potongan dari atas ke tepi (gbr. K, L)

Potongan dari atas ke tepi memungkinkan Anda untuk memotong rumput hingga ke batas tepi dinding atau pagar (gbr. K).

Potongan dari atas ke tepi memungkinkan Anda untuk memotong rumput secara akurat hingga ke batas tepi pekarangan Anda (gbr. L).

- ◆ Dengan mesin pemotong rumput yang berada sejajar dengan ujung pekarangan Anda, dorong mesin pemotong rumput sepanjang batas tepi pekarangan. Pastikan tepi mesin potong berada sedikit melampaui batas tepi pekarangan Anda (gbr. L).

Melepas Bilah (Gbr. M, N)

Catatan: BEMW451BH menggunakan bilah bersayap baru dari BLACK+DECKER (Cat # A6319) untuk peningkatan koleksi.

Peringatan! Pastikan bilah sudah benar-benar berhenti, kemudian cabut pemotong rumput dari sumber listrik.

- ◆ Potong kayu 2x4 ukuran (12) 305mm agar bilah tetap berputar saat melepaskan mur pinggir.
- ◆ Miringkan dan letakkan peralatan pada salah satu sisinya. Gunakan sarung tangan dan pelindung mata yang sesuai. Berhati-hatilah dengan pinggir bilah yang tajam.
- ◆ Pasanglah sepotong kayu (12) agar bilah tetap berputar seperti yang ditunjukkan dalam Gbr. M.

- ◆ Gunakan kunci pas ukuran 13mm (13) untuk mengendurkan dan melepas baut bilah dengan memutar berlawanan arah jarum jam.
- ◆ Tarik bilah (11), seperti yang ditunjukkan di Gbr. N. Periksa semua komponen jika mengalami kerusakan dan ganti jika perlu.

Memasang Bilah (Gbr. O)

- ◆ Pasang bilah (11) ke batang baut dengan huruf yang tertera pada bilah menghadap ke luar, dan pasang baut bilah ke batang baut.
- ◆ Kencangkan baut bilah dengan tangan sekencang mungkin.
- ◆ Pasanglah sepotong kayu (12) agar bilah tetap berputar seperti yang ditunjukkan dalam Gbr. O.
- ◆ Gunakan kunci pas berukuran 13 mm untuk mengencangkan baut bilah dengan memutar kunci pas searah jarum jam.

Mengasah bilah

Pastikan agar bilah selalu tajam untuk mendapatkan kinerja pemotong rumput terbaik. Bilah yang tumpul tidak dapat memotong rumput dengan bersih. Gunakan pelindung mata yang sesuai saat melepas, mengasah, dan memasang bilah. Mempertajam bilah dua kali selama musim memotong rumput biasanya cukup dalam keadaan normal.

Ampelas menyebabkan bilah menjadi tumpul. Jika tanah halaman Anda berpasir, Anda harus sering-sering mengasah bilah.

Catatan: Segera ganti bilah yang bengkok atau rusak.

Saat mengasah bilah:

- ◆ Pastikan bilah tetap seimbang.
- ◆ Asah bilah pada sudut pemotongan asal.
- ◆ Asah pinggir pemotongan pada kedua ujung bilah, dengan membuang bagian dari kedua sisi dalam jumlah yang sama.

Untuk mengasah bilah dengan catok (gbr. P)

- ◆ Pastikan bilah telah berhenti dan mesin pemotong dicabut sebelum melepaskan bilah.
- ◆ Lepaskan bilah dari mesin pemotong rumput. Lihat petunjuk untuk melepas dan memasang bilah.
- ◆ Kencangkan bilah (11) dalam catok (14).
- ◆ Gunakan pelindung mata dan sarung tangan yang sesuai dan hati-hati jangan sampai tubuh Anda terpotong sendiri. Berhati-hatilah saat mengasah pinggir bilah pemotong dengan pengasah gerigi yang halus (15) atau batu pengasah, sehingga jagalah sudut pinggir pemotongan awal. Periksa keseimbangan bilah. Lihat petunjuk untuk menyeimbangkan bilah.
- ◆ Ganti bilah mesin pemotong dan kencangkan dengan erat.

Penyeimbangan bilah (gbr. Q)

Periksa keseimbangan bilah (11) dengan memasang paku atau obeng batang bor bundar di lubang tengah bilah, jepit secara horizontal dengan pencatok. Jika salah satu dari kedua bilah berputar ke bawah, asah tepian tajam dari ujung yang turun tersebut. Bilah seimbang bila tidak ada ujung yang turun.

Pelumasan

Pelumasan tidak dibutuhkan. Piringan tidak boleh diminyaki. Permukaan bantalannya berbahan plastik sehingga tidak perlu diminyaki.

Pembersihan

Matikan mesin pemotong rumput dan tunggu sampai bilah berhenti. Cukup gunakan sabun lembut dan kain yang agak basah untuk membersihkan mesin pemotong rumput. Bersihkan semua tumpukan kotoran yang menempel di bagian bawah dek. Setelah penggunaan beberapa kali, periksa semua pengencang terpasang erat.

Mencegah karat

Pupuk dan bahan kimia kebun mengandung bahan yang sangat mempercepat munculnya karat pada besi. Jika Anda memotong di tempat yang sudah diberi pupuk atau bahan kimia, mesin pemotong rumput harus segera dibersihkan sesuai langkah berikut ini:
Matikan mesin pemotong dan lepas daya mesin pemotong. Bersihkan semua komponen yang terbuka dengan kain lembap.

Pemeliharaan

Alat/peralatan listrik berkabel/nirkabel BLACK+DECKER telah dirancang untuk penggunaan jangka panjang dengan perawatan minimal. Pengoperasian yang memuaskan secara terus-menerus bergantung pada perawatan peralatan yang benar serta pembersihan secara teratur.

Peringatan! Sebelum melakukan pemeliharaan apa pun pada alat listrik berkabel/nirkabel:

- ◆ Matikan dan cabut peralatan/alat.
- ◆ Bersihkan celah ventilasi pada alat/peralatan secara teratur dengan menggunakan sikat lembut atau lap kering.
- ◆ Bersihkan kerangka motor secara teratur dengan menggunakan kain bersih yang lembap. Jangan gunakan bahan pembersih abrasif atau pembersih berbahan dasar larutan apa pun.
- ◆ Gunakan alat pengerik tumpul untuk membersihkan rumput dan kotoran dari bagian bawah pelindung.

Pemecahan masalah

Jika peralatan Anda tampak tidak beroperasi dengan semestinya, ikutilah petunjuk-petunjuk di bawah ini. Jika cara tersebut tidak mengatasi masalah, hubungi agen perbaikan BLACK+DECKER setempat Anda.

Peringatan! Sebelum melanjutkan, lepaskan balok pengait untuk mematkan mesin pemotong rumput dan tunggu sampai bilah berhenti total.

Mesin pemotong rumput tidak mau menyala.	Kabel tidak dicolokkan	Colokkan mesin pemotong rumput ke stopkontak yang berfungsi.
	Sekring sirkuit meledak.	Ganti sekring sirkuit. (Jika produk berulang kali membuat sekring sirkuit meledak, segera hentikan penggunaan dan minta agar diservis oleh pusat servis resmi BLACK+DECKER.
	Kabel atau sakelar rusak.	Gantilah kabel atau sakelar di pusat servis resmi BLACK+DECKER.
	Rumput terlalu panjang.	Naikkan tinggi pemotongan dan pindahkan mesin ke rumput yang lebih pendek untuk memulai.
Mesin beroperasi secara putus-putus.	Pemutusan daya termal menjadi aktif.	Biarkan motor hingga dingin lalu naikkan tinggi pemotongan.
Mesin menghasilkan pemotongan yang tidak rata, atau motor tampak bekerja dengan susah payah.	Tinggi pemotongan terlalu rendah.	Naikkan tinggi pemotongan.
	Bilah potong tumpul.	Ganti bilah tersebut.
	Bagian bawah mesin tersumbat.	Periksa bagian bawah mesin dan bersihkan seperlunya (kenakan selalu sarung tangan tebal)
	Bilah terpasang secara terbalik.	Pasang ulang bilah dengan benar.

Melindungi lingkungan



Pengumpulan terpisah. Produk dan baterai yang ditandai dengan simbol ini tidak boleh dibuang bersama dengan sampah rumah tangga biasa.

Produk dan baterai berisi bahan yang dapat digunakan kembali atau didaur ulang, sehingga mengurangi permintaan kebutuhan bahan baku. Harap mendaur ulang produk listrik dan baterai sesuai dengan ketentuan setempat. Informasi selengkapnya tersedia di www.2helpU.com

Informasi Servis

BLACK+DECKER menawarkan jaringan lengkap milik perusahaan dan lokasi servis resmi di seluruh Asia. Semua Pusat Servis BLACK+DECKER memiliki staf terlatih agar dapat memberikan layanan produk yang efisien dan andal kepada konsumen.

Bila Anda membutuhkan nasihat teknis, perbaikan, atau suku cadang pengganti asli pabrik, hubungi lokasi BLACK+DECKER terdekat.

CATATAN

- ◆ BLACK+DECKER memiliki kebijakan untuk terus meningkatkan produk dan karenanya, kami berhak mengubah spesifikasi produk tanpa pemberitahuan sebelumnya.
- ◆ Perlengkapan dan aksesoris standar mungkin akan berbeda di setiap negara.
- ◆ Spesifikasi produk dapat berbeda menurut negara.
- ◆ Pilihan produk lengkap mungkin tidak tersedia di semua negara. Untuk mengetahui ketersediaan rangkaian, hubungi dealer BLACK+DECKER setempat.

Di Imporoleh : PT. Stanley Black & Decker

Alamat : Menara Standard Chartered Level 31

Jl. Prof. Dr. Satrio No. 164 RT/RW 003/004 Kel. Karet, Kec. Seiabudi
Jakarta Selatan, 12930 - Indonesia

BEMW451BH**รถตัดหญ้า****ข้อมูลทางเทคนิค**

แรงดันไฟฟ้า	โวลต์ _{AC}	220-240
กำลังไฟเข้า	วัตต์	1200
ความเร็วขณะ ไม่มีโหลด	รอบ/นาที	3500
การปรับ ความสูง	มม.	23 - 63
ความยาว ใบมีด	มม.	320
น้ำหนัก	กก.	10.3

วัตถุประสงค์ในการใช้งาน

รถตัดหญ้า BLACK+DECKER รุ่น BEMW451BH ได้รับการออกแบบมาสำหรับการตัดหญ้าโดยเฉพาะ เครื่องมือนี้มีวัตถุประสงค์เพื่อการใช้งานภายในบ้านเท่านั้น

ข้อปฏิบัติเพื่อความปลอดภัย

คำเตือน! เมื่อใช้เครื่องมือไฟฟ้าที่ใช้ไฟจากสายเมน ต้องปฏิบัติตามมาตรการความปลอดภัยพื้นฐาน รวมถึงมาตรการต่างๆ ด้านล่างนี้เสมอ เพื่อลดความเสี่ยงจากการเกิดไฟไหม้ ไฟช็อต และการบาดเจ็บ

- อ่านคู่มือเล่มนี้ทั้งหมดอย่างละเอียด ก่อนใช้งานเครื่องมือนี้
- วัตถุประสงค์ในการใช้งานได้อธิบายไว้ในคู่มือนี้แล้ว การใช้อุปกรณ์เสริมหรืออุปกรณ์ยึดติด หรือการใช้งานใดๆ กับเครื่องมือที่นอกเหนือจากที่ได้แนะนำในคู่มือการใช้งานนี้อาจเสี่ยงต่อการได้รับบาดเจ็บ
- เก็บรักษาเครื่องมือนี้ไว้เพื่อการอ้างอิงในอนาคต

- อ่านคำแนะนำอย่างละเอียด ทำความคุ้นเคยกับวิธีควบคุมและการใช้งานเครื่องมืออย่างถูกวิธี
- อย่าให้เด็กหรือบุคคลที่ไม่คุ้นเคยกับคำแนะนำเหล่านี้ใช้งานเครื่องมือนี้ กฎระเบียบในแต่ละประเทศอาจจำกัดอายุของผู้ใช้เครื่อง
- ห้ามใช้งานเครื่องใกล้บุคคลอื่น โดยเฉพาะเด็กเล็กหรือสัตว์เลี้ยง
- ระลึกไว้เสมอว่าผู้ใช้เครื่องหรือผู้ใช้งานเป็นผู้รับผิดชอบต่ออุบัติเหตุหรืออันตรายที่เกิดขึ้นกับบุคคลอื่นหรือทรัพย์สินของบุคคลอื่น

การเตรียมการ

- ในขณะที่ใช้งานเครื่อง ให้สวมรองเท้าที่หนาและกางเกงขายาวทุกครั้ง ห้ามใช้งานเครื่องเมื่อเดินเท้าเปล่า หรือสวมรองเท้าแตะ หลีกเลี่ยงการสวมเสื้อผ้าที่หลวมหรือที่มีเชือกหรือปม
- ตรวจสอบบริเวณที่จะใช้งานเครื่องให้ทั่วถึง และนำสิ่งของทั้งหมดที่อาจถูกเครื่องจักรเหวี่ยงออกไปจากบริเวณนั้น
- ก่อนการใช้งาน ตรวจสอบด้วยสายตาทุกครั้งเพื่อดูว่าใบมีด น็อตยึดใบมีด และชุดใบมีด ไม่สึกหรอหรือชำรุดเสียหาย เปลี่ยนส่วนประกอบที่สึกหรอหรือชำรุดเสียหายในชุดอุปกรณ์เพื่อรักษาความสมดุล เปลี่ยนป้ายที่ชำรุดเสียหายหรืออ่านไม่ได้
- ก่อนใช้งาน ให้ตรวจสอบสายไฟและ

การฝึกอบรม

สายต่อพ่วงเพื่อหาร่องรอยการชำรุดเสียหายหรือหมดอายุการใช้งาน ถ้าสายไฟชำรุดเสียหายในระหว่างการใช้งาน ให้ปลดสายไฟออกจากแหล่งจ่ายไฟทันที

อย่าสัมผัสสายไฟก่อนถอดออกจากแหล่งจ่ายไฟ ห้ามใช้งานเครื่อง

ถ้าสายไฟชำรุดเสียหายหรือสึกหรอ

- สวมแว่นตาหรือหน้ากากป้องกันขณะใช้งานเครื่องมือนี้

ใช้หน้ากากปิดจมูกหรือหน้ากากป้องกันฝุ่นเมื่อใดก็ตามที่ทำงานในสภาพแวดล้อมที่มีฝุ่นละออง ควรสวมอุปกรณ์ป้องกันการได้ยินเมื่อใดก็ตามที่รู้สึกว่ารระดับเสียงดังรบกวน

- ป้องกันไม่ให้เกิดไฟฟ้าช็อต ป้องกันไม่ให้มีการสัมผัสพื้นผิวที่ต่อสายดินหรือกราวด์ (เช่น รางโลหะ เส้าไฟส่องสว่าง เป็นต้น)

การใช้งาน

- ห้ามใช้งานเครื่องมือเมื่อตัวครอบป้องกันหรืออุปกรณ์ป้องกันชำรุดเสียหาย หรือไม่มีอุปกรณ์นิรภัยตัวอย่างเช่น ตัวเบี่ยงทิศทางและ/หรือที่เก็บหยาดติดตั้งอยู่ในเครื่อง
- ใช้งานเครื่องเฉพาะในเวลากลางวันหรือมีแสงสว่างจากไฟที่เพียงพอเท่านั้น
- อย่าให้เครื่องถูกฝน ห้ามใช้งานเครื่องในสภาพที่เปียกหรือชื้นแฉะ ห้ามใช้งานเครื่องในบริเวณที่มีหย่าเปียก
- ควรยืนในท่าที่เหมาะสมโดยเฉพาะบนที่ลาดเอียง พึงระลึกว่าหย่าที่เพ็งตัดจะขึ้นและลื่น ห้ามทำงาน

บนพื้นที่ลาดเอียงที่มีความสูงชัน

- ให้ตัดตามแนวขวางของพื้นที่ลาดเอียง ห้ามตัดขึ้นหรือลงตามความลาดชัน ใช้ความระมัดระวังสูงสุดขณะเปลี่ยนทิศทางบนที่ลาดเอียง
 - ห้ามตัดหญ้าบนที่ลาดชันมากเกินไป
 - ควรเดินในขณะที่ใช้งานเครื่อง ห้ามวิ่ง ห้ามดึงเครื่องเข้าหาตัวตนเองหรือเดินถอยหลังขณะใช้งานเครื่อง
 - เปิดสวิตช์เครื่องตามคำแนะนำและยืนห่างจากใบมีดอย่างเหมาะสม
 - ห้ามเปิดเครื่องขณะยืนอยู่ด้านหน้าช่องทางออกของเศษหญ้า
 - ห้ามเอียงเครื่องเมื่อเปิดสวิตช์เครื่องแล้ว ยกเว้นถ้าจำเป็นต้องเอียงเครื่องเพื่อสตาร์ท
- ในกรณีดังกล่าว ห้ามเอียงเครื่องมากกว่าที่จำเป็นจริงๆ และยกเฉพาะส่วนที่อยู่ห่างจากผู้ใช้เครื่องเท่านั้น มือทั้งสองข้างต้องพร้อมในตำแหน่งทำงานทุกครั้งก่อนนำเครื่องกลับลงพื้นดิน
- ปิดสวิตช์เครื่องและรอให้ชุดใบมีดหยุดทำงาน หากจำเป็นต้องเอียงเครื่องเพื่อการขนย้ายเมื่อจะข้ามพื้นที่ที่ไม่ใช่พื้นหญ้า และเมื่อจะขนย้ายเครื่องไปมาจากบริเวณที่จะทำการตัดหญ้า
 - ห้ามยกหรือเคลื่อนย้ายเครื่องจนกว่าใบมีดจะหยุดสนิท
 - ระมัดระวังมือและเท้าของคุณให้อยู่ห่างจากใบมีด
 - ห้ามสอดมือหรือเท้าเข้าไปใกล้หรือเข้าไปใต้ชิ้นส่วนที่กำลังหมุน
 - อยู่ห่างจากช่องทางออกของ

เศษหญ้าตลอดเวลา

- ปิดสวิตช์ ถอดปลั๊กออกจากเต้ารับ และตรวจสอบให้แน่ใจว่าชิ้นส่วนที่เคลื่อนที่ได้หยุดหมุนหรือไม่ ก่อนจะปล่อยเครื่องทิ้งไว้โดยไม่มีผู้ดูแล และก่อนเปลี่ยน ทำความสะอาด หรือตรวจสอบชิ้นส่วนใดๆ ของเครื่อง หรือขจัดสิ่งกีดขวาง หลังจากชนกับวัตถุ แปลกปลอม ตรวจสอบเครื่องเพื่อหาการชำรุดเสียหายและทำการซ่อมก่อนเริ่มเปิดเครื่องและใช้งาน
- ถ้าเครื่องเริ่มสั่นผิดปกติหรือชนกับวัตถุแปลกปลอม ให้ปิดสวิตช์เครื่อง และถอดปลั๊กออกจากเต้ารับ ตรวจสอบหาการชำรุดเสียหายใดๆ ที่เกิดขึ้นกับเครื่อง เปลี่ยนหรือซ่อมแซมชิ้นส่วนที่ชำรุดเสียหาย ตรวจสอบและขันชิ้นส่วนใดๆ ที่หลวม
- ใช้ความระมัดระวังในการดึงสายเมน ออกจากใบมีด ใส่ใจตำแหน่งของสายไฟอยู่เสมอ
- มอเตอร์จะยังคงทำงานต่อไปอีกสองถึงสามวินาทีหลังจากปิดสวิตช์เครื่อง อย่าพยายามออกแรงดึงใบมีดให้หยุดนิ่ง

การบำรุงรักษาและการจัดเก็บ

- ก่อนการใช้งาน ให้ตรวจสอบเครื่องมือว่ามีชิ้นส่วนที่บกพร่องหรือชำรุดเสียหายหรือไม่ ตรวจสอบหาส่วนที่บิดเบี้ยวและการติดขัดในส่วนที่เคลื่อนที่ได้ ชิ้นส่วนที่แตกหัก การชำรุดเสียหายของตัวครอบป้องกันและสวิตช์ รวมทั้งสภาพอื่นๆ ที่อาจส่งผลกระทบต่อการทำงานของเครื่องมือ ตรวจสอบให้แน่ใจว่า

เครื่องจะทำงานได้อย่างเหมาะสม และทำหน้าที่ได้ตรงตามวัตถุประสงค์การใช้งาน ห้ามใช้เครื่องมือเมื่อตัวครอบป้องกันหรือแผงปิดชำรุดเสียหายหรือไม่ได้ติดตั้งเข้าที่ ห้ามใช้เครื่องมือหากมีชิ้นส่วนใดๆ ชำรุดเสียหายหรือบกพร่อง ห้ามใช้เครื่องมือถ้าสวิตช์เปิดปิดเครื่องไม่ทำงาน

ให้ศูนย์ซ่อมที่ได้รับอนุญาตเป็นผู้ซ่อมแซมหรือเปลี่ยนชิ้นส่วนที่ชำรุดหรือบกพร่อง

- ตรวจสอบสายไฟเป็นประจำเพื่อหาการชำรุดเสียหาย ถ้าสายไฟชำรุดเสียหาย ต้องให้ศูนย์ซ่อมที่ได้รับอนุญาตเป็นผู้เปลี่ยนเพื่อป้องกันอันตราย ตรวจสอบสายต่อพ่วงเป็นระยะๆ เปลี่ยนสายต่อพ่วงที่ชำรุดเสียหายทันที
- ขันน็อต โบลท์ และสกรูทั้งหมดบนเครื่องให้แน่นเพื่อให้มั่นใจว่าอยู่ในสภาพที่ปลอดภัยขณะทำงาน
- ตรวจสอบที่เก็บหญ้าว่าสึกหรอหรือชำรุดเสียหายหรือไม่ ถ้าจำเป็นให้ทำการเปลี่ยน ห้ามใช้เครื่องมือโดยไม่มีที่เก็บหญ้า
- โปรดระมัดระวังในระหว่างการปรับตั้งเครื่องเพื่อป้องกันการหนีบนิ้วมือระหว่างใบมีดที่กำลังเคลื่อนที่กับชิ้นส่วนที่ยึดอยู่กับที่ของเครื่อง
- เมื่อจะซ่อมแซมใบมีด โปรดระวังแม้ว่าจะปิดสวิตช์แหล่งจ่ายไฟแล้ว แต่ใบมีดก็อาจจะยังเคลื่อนที่ได้อยู่
- เมื่อไม่ได้ใช้งาน ต้องเก็บเครื่องไว้ในบริเวณที่แห้ง เก็บเครื่องให้พ้นมือเด็ก
- ปล่อยให้เครื่องเย็นลงก่อนจัดเก็บ
- ตรวจสอบให้แน่ใจว่าได้ใช้อุปกรณ์

ตัดที่เป็นอะไหล่ซึ่งเป็นชนิดที่ถูกต้องเท่านั้น

- ใช้เฉพาะชิ้นส่วนอะไหล่และอุปกรณ์เสริมที่ BLACK+DECKER แนะนำให้ใช้เท่านั้น

คำแนะนำเพื่อความปลอดภัยเพิ่มเติมสำหรับเครื่องตัดหญ้า

- ใช้สายต่อพ่วงที่ผ่านการรับรองและเหมาะสมสำหรับกำลังไฟเข้าของเครื่องมือนี้ (ดูข้อมูลด้านเทคนิค) สายต่อพ่วงต้องเหมาะสมสำหรับใช้งานนอกอาคารและมีการระบุให้ทราบสามารถใช้สายต่อพ่วง HO5VV-F ความยาวไม่เกิน 30 เมตร ขนาด 1.5 ตร.มม. ได้โดยไม่สูญเสียประสิทธิภาพของผลิตภัณฑ์ก่อนใช้งาน ให้ตรวจสอบสายต่อพ่วงเพื่อหาร่องรอยการชำรุดเสียหาย สึกหรอ และหมดอายุการใช้งาน ให้เปลี่ยนสายต่อพ่วงหากพบว่าชำรุดเสียหายหรือบกพร่อง เมื่อมีการใช้อุปกรณ์ม้วนเก็บสายไฟ ให้คลายสายไฟออกจนหมดทุกครั้ง
- ห้ามขยับย้ายเครื่องในขณะที่ยังเปิดเครื่องทำงานอยู่
- จับมือจับด้วยมือทั้งสองข้างให้แน่นเมื่อใช้งานเครื่องตัดหญ้า
- เมื่อใดก็ตามที่มีความจำเป็นต้องเอียงเครื่องตัดหญ้า ตรวจสอบให้แน่ใจว่ามีมือทั้งสองข้างอยู่ในตำแหน่งที่ถูกต้อง ในขณะที่กำลังเอียงเครื่องตัดหญ้า จับที่จับด้วยมือทั้งสองข้างค้างไว้ ในตำแหน่งที่ถูกต้องจนกว่าจะทำงานเสร็จและวางเครื่องตัดหญาราบกับพื้นอย่างถูกต้อง
- ไม่ใส่หูฟังในขณะที่ใช้งานเครื่อง

ตัดหญ้า

- ไม่ปรับความสูงของล้อในขณะที่มอเตอร์เครื่องกำลังทำงานหรือในขณะที่ที่กุญแจนิรภัยอยู่ในตำแหน่งล็อก
- หากเครื่องตัดหญ้าหยุดทำงานกลางคัน ให้ปิดเครื่องและรอจนกว่าใบมีดจะหยุดหมุนก่อนที่จะนำสิ่งอุดตันหรือสิ่งใดก็ตามออกจากใต้เครื่อง
- ระวังมัดระวังให้มือและเท้าอยู่ห่างจากบริเวณที่ตัด
- ใบมีดต้องคมอยู่เสมอ ใส่ถุงมือป้องกันการบาดเจ็บเมื่อเมื่อต้องใช้งานใบมีดเครื่องตัดหญ้า
- หากคุณใช้ที่เก็บหญ้า ให้หมั่นตรวจสอบการสึกหรอหรือชำรุดอยู่บ่อยๆ หากมีการชำรุดเสียหายมากเกินไป ให้เปลี่ยนที่เก็บหญ้าใหม่เพื่อความปลอดภัย
- ใช้ความระมัดระวังมากขึ้นเมื่อต้องถอยหลังหรือดึงเครื่องตัดหญ้าเข้าหาตัว
- ห้ามสอดมือหรือเท้าเข้าไปใกล้หรือเข้าไปใต้เครื่องตัดหญ้า ดูแลให้ช่องทางออกของเศษหญ้าปราศจากสิ่งกีดขวางอยู่ตลอดเวลา
- ตรวจสอบพื้นที่บริเวณที่จะใช้งานเครื่องตัดหญ้าให้สะอาดปราศจากวัตถุเช่น หิน, กิ่งไม้, ลวด, ของเล่น, กระจุก และอื่นๆ ซึ่งอาจทำให้เกิดการกระเด็นจากการตัดของใบมีดได้ วัตถุที่กระเด็นจากการตัดของใบมีดเครื่องตัดหญ้าอาจทำให้เกิดการบาดเจ็บสาหัสได้ ยืนอยู่หลังมือจับเมื่อมอเตอร์กำลัง

ทำงาน

- ♦ ห้ามเปิดใช้งานเครื่องตัดหญ้า โดยยืนเท้าเปล่าหรือใส่รองเท้าแตะสวมรองเท้าแบบพิเศษที่เหมาะสมการทำงานอยู่เสมอ
- ♦ ไม่ดึงเครื่องตัดหญ้ากลับหลัง หากไม่มีความจำเป็นจริงๆ คอยดูข้างล่างและด้านหลังทั้งก่อนและในขณะที่กำลังเคลื่อนที่ถอยหลัง
- ♦ ไม่ควรปล่อยเศษหญ้าใส่ผู้อื่นโดยตรง หลีกเลี่ยงการตัดหญ้าและปล่อยเศษหญ้าใส่กำแพงหรือสิ่งกีดขวาง
- ♦ เศษหญ้าอาจกระเด็นสะท้อนกลับใส่ผู้ใช้งานได้ ปล่อยมือจับเพื่อปิดเครื่องตัดหญ้าและหยุดการทำงานของใบมีดเมื่อกำลังอยู่บนพื้นผิวที่มีก้อนกรวด
- ♦ ไม่เปิดใช้งานเครื่องตัดหญ้าโดยที่ไม่มีที่เก็บหญ้า, ตัวป้องกันการปล่อยเศษหญ้า, ตัวครอบหลัง หรืออุปกรณ์ป้องกันนิริภัยอื่นๆ ติดอยู่ หมั่นตรวจสอบตัวป้องกันและอุปกรณ์นิริภัยต่างๆ ว่าอยู่ในสถานะที่พร้อมใช้งาน และจะทำงานได้อย่างถูกต้องและมีประสิทธิภาพตามฟังก์ชันของตัวเอง เปลี่ยนตัวครอบป้องกันหรืออุปกรณ์นิริภัยอื่นๆ ที่ชำรุดเสียหายก่อนใช้งานต่อไป
- ♦ ไม่เปิดเครื่องตัดหญ้าทิ้งไว้โดยไม่ดูแล
- ♦ ปล่อยมือจากที่จับเพื่อหยุดการทำงานของเครื่องยนต์และรอให้ใบมีดหยุดหมุนจนนิ่งสนิทดีแล้วก่อนที่จะทำความสะอาดเครื่องตัดหญ้า, นำถุงเก็บเศษหญ้าออก, ถอดตัวครอบป้องกันการกระเด็นของเศษหญ้าออก
- เมื่อไม่ใช้งานหรือก่อนทำการปรับซ่อมแซม หรือตรวจสอบเครื่อง
- ♦ เปิดใช้งานเครื่องตัดหญ้าเฉพาะในช่วงเวลากลางวันหรือที่มีแสงสว่างเพียงพอเท่านั้น โดยให้สามารถมองเห็นใบมีดได้อย่างชัดเจนในบริเวณเส้นทางที่จะทำการตัดหญ้า
- ♦ ไม่เปิดใช้งานเครื่องตัดหญ้าในขณะที่มีอาการมึนเมาจากการดื่มแอลกอฮอล์หรือการไต่ยา หรือเมื่อมีอาการเหนื่อยล้าหรือเจ็บป่วย ดิ้นตัว และมีสมาธิกับสิ่งที่คุณกำลังทำ รวมทั้งใช้วิจารณญาณ
- ♦ หลีกเลี่ยงบริเวณที่มีสิ่งแฉะลื่นที่อันตราย
- ♦ ไม่เปิดใช้งานเครื่องตัดหญ้าในบริเวณหญ้าที่ขึ้นหรือเปียก ไม่ใช่เครื่องในขณะที่ฝนตก ควรยืนในท่าที่เหมาะสมอยู่เสมอ ควรเดิน ห้ามวิ่ง
- ♦ หากเครื่องตัดหญ้าเริ่มมีการสั่นที่ผิดปกติ ให้ปล่อยสวิตช์เปิด/ปิดรอให้ใบมีดหยุดหมุนจนนิ่งสนิทดีแล้ว จากนั้นจึงตรวจสอบหาสาเหตุโดยทันที โดยทั่วไปแล้วการสั่นสะเทือนเป็นสัญญาณเตือนของการเกิดปัญหาขัดข้อง ดูที่คู่มือการแก้ไขปัญหาสำหรับคำแนะนำในกรณีที่เกิดการสั่นสะเทือนที่ผิดปกติ
- ♦ สวมอุปกรณ์ป้องกันดวงตาและระบบทางเดินหายใจเสมอเมื่อต้องใช้งานเครื่องตัดหญ้า
- ♦ การใช้อุปกรณ์เสริมหรืออุปกรณ์ยึดติดที่ไม่ได้แนะนำให้ใช้ร่วมกับเครื่องตัดหญ้านี้อาจทำให้เกิดอันตรายร้ายแรงได้ ใช้อุปกรณ์เสริมที่ผ่านการรับรองโดย BLACK+DECKER เท่านั้น
- ♦ ไม่ใช้งานเครื่องตัดหญ้าโดยเอื้อม

จนสุดมือ ควรยืนในท่าที่เหมาะสม และทรงตัวได้คืออยู่เสมอในขณะที่ใช้งานเครื่องตัดหญ้า

- ◆ ให้ตัดตามแนวขวางของพื้นที่ลาดเอียง ห้ามตัดขึ้นหรือลงตามความลาดชัน ใช้ความระมัดระวังสูงสุดขณะเปลี่ยนทิศทางบนที่ลาดเอียง
- ◆ ระมัดระวังคอยดูหลุม, ร่อง, พื้นที่ขรุขระ, หิน หรือวัตถุอื่นๆ ที่ถูกหญ้าบัง พื้นที่ที่ไม่เท่ากันอาจทำให้เกิดการสั่นไถลและเกิดอุบัติเหตุได้ หญ้าที่ขึ้นสูงสามารถบดบังสิ่งกีดขวางต่างๆ ได้
- ◆ ห้ามตัดหญ้าที่เปียกหรือตัดหญ้าบนที่ลาดชันมากเกินไป การยืนในท่าที่ไม่ถูกต้องอาจทำให้เกิดการสั่นไถลและเกิดอุบัติเหตุได้
- ◆ ห้ามตัดหญ้าใกล้บริเวณที่ชันมาก ร่องน้ำ หรือคันดิน เพราะอาจทำให้คุณสูญเสียการยืนหรือการทรงตัวได้
- ◆ ปล่อยให้เครื่องเย็นลงก่อนจัดเก็บเสมอ

ดึงปลั๊กออกจากเต้าเสียบ ตรวจสอบให้แน่ใจว่าชิ้นส่วนที่เคลื่อนไหวทั้งหมดหยุดหมุนสนิทดีแล้วก่อนทำการดังต่อไปนี้

- ◆ เมื่อไม่ได้ใช้งานเครื่อง
- ◆ ก่อนกำจัดสิ่งอุดตัน
- ◆ ก่อนตรวจสอบ ทำความสะอาดหรือใช้งานเครื่อง

ความปลอดภัยของบุคคลอื่น

- ◆ รถตัดหญ้านี้ไม่เหมาะสำหรับการใช้งานโดยผู้ที่มีสมรรถนะทางกายทางประสาทสัมผัส หรือทางจิตใจบกพร่อง (รวมถึงเด็ก) รวมทั้งผู้ที่ไม่มีความรู้และประสบการณ์ที่จำเป็นต่อการใช้งานเครื่องตัดหญ้านอกจากจะได้รับการควบคุมดูแลหรือการให้คำแนะนำเกี่ยวกับการใช้งานเครื่องมือนี้โดยผู้ที่รับผิดชอบในด้านความปลอดภัย
- ◆ เด็กต้องได้รับการดูแลเพื่อให้แน่ใจว่าเด็กจะไม่เล่นกับเครื่องมือ
- ◆ หลังจากชนกับวัตถุแปลกปลอม ตรวจสอบการชำรุดเสียหายของเครื่องมือและทำการซ่อมแซมตามความจำเป็น

ความเสี่ยงอื่นๆ ที่ยังมีอยู่

ความเสี่ยงอื่นๆ ที่ไม่ได้รับในค่าเตือนเพื่อความปลอดภัยนี้ อาจเกิดขึ้นได้เมื่อใช้เครื่องมือ

ความเสี่ยงเหล่านี้อาจเกิดขึ้นจากการใช้งานอย่างไม่ถูกต้อง การใช้งานเป็นเวลานาน เป็นต้น แม้ว่าจะปฏิบัติตามข้อกำหนดด้านความปลอดภัยที่เกี่ยวข้องและใช้อุปกรณ์นิรภัย แต่ความเสี่ยงอื่นๆ ที่ยังมีอยู่บางอย่างก็ไม่สามารถหลีกเลี่ยงได้ ความเสี่ยงเหล่านี้ได้แก่

- ◆ การบาดเจ็บจากการสัมผัสชิ้นส่วนที่กำลังเคลื่อนที่
- ◆ การบาดเจ็บจากการสัมผัสชิ้นส่วนที่ร้อน
- ◆ การบาดเจ็บที่เกิดขึ้นขณะเปลี่ยนชิ้นส่วนหรืออุปกรณ์เสริมใดๆ
- ◆ การบาดเจ็บที่เกิดจากการใช้เครื่อง

ต่อเนื่องเป็นเวลานาน เมื่อใช้เครื่องเป็นระยะเวลาสั้น ต้องแน่ใจว่าคุณได้หยุดพักเป็นระยะ

- ความบกพร่องในการได้ยินเสียง
- อันตรายต่อสุขภาพที่เกิดจากการสูดดมฝุ่นจากการใช้เครื่องมือ (ตัวอย่างเช่นการทำงานกับไม้ โดยเฉพาะไม้โอ๊ค ไม้บีช และไม้ MDF)
- หากไม่สามารถหลีกเลี่ยงการใช้งานเครื่องตัดหญ้าในบริเวณที่ชื้นและได้ให้ใช้อุปกรณ์ป้องกันไฟดูด (RCD) ที่มีการตั้งกระแสพิภักต์ไม่เกิน 30 มิลลิแอมป์ การใช้ RCD จะเป็นการลดความเสี่ยงจากการถูกไฟฟ้าช็อต
- ห้ามยกหรือขนย้ายเครื่องมือในขณะที่มอเตอร์กำลังทำงาน



ระวังสิ่งนี้อาจปลิวมา กันผู้อยู่ใกล้เคียงออกห่างจากบริเวณที่ตัดตลอดเวลา



ระวังสายไฟให้อยู่ห่างจากใบมีดที่กำลังตัด



ใบมีดจะยังคงหมุนต่อไปหลังจากปิดเครื่องแล้ว

ความปลอดภัยทางไฟฟ้า



คำเตือน! เครื่องมือนี้มีฉนวนสองชั้น ดังนั้นจึงไม่จำเป็นต้องต่อสายดิน ต้องตรวจสอบกำลังไฟเพื่อให้ตรงกับแรงดันไฟฟ้าบนแผ่นแสดงพิภักต์เสมอ

- ถ้าสายไฟของตัวเครื่องชำรุดเสียหาย ต้องได้รับการเปลี่ยนโดยผู้ผลิตหรือศูนย์บริการของ BLACK+DECKER ที่ได้รับอนุญาตเพื่อหลีกเลี่ยงอันตรายที่อาจเกิดขึ้นได้
- การปรับปรุงความปลอดภัยของไฟฟ้าสามารถทำได้โดยใช้อุปกรณ์ป้องกันไฟดูด (RCD) ที่มีความไวสูง 30 มิลลิแอมป์

สัญลักษณ์เตือน

สัญลักษณ์คำเตือนต่อไปนี้จะพบบนเครื่องมือพร้อมทั้งรหัสวันที่:



คำเตือน! อ่านคู่มือก่อนใช้งาน



อย่าให้เครื่องมือเปียกฝนหรือได้รับความชื้นสูง



ถอดปลั๊กออกจากเต้ารับก่อนตรวจสอบสายไฟที่ชำรุดเสียหายทุกครั้ง ไม่ควรใช้เครื่องหากสายไฟชำรุดเสียหาย



ระวังใบมีดคม

ส่วนประกอบสำคัญ

เครื่องมือนี้มีส่วนประกอบบางอย่างหรือทั้งหมดต่อไปนี้

1. ปุ่มเปิด/ปิด
2. ด้ามจับถนัดมือสองข้าง
3. สวิตช์เปิด/ปิด
4. มือจับด้านบน
5. น็อตล็อกด้ามจับ
6. มือจับด้านล่าง
7. ด้ามจับกลองเก็บหญ้า
8. มือจับสำหรับยกเครื่อง
9. กลองเก็บหญ้า
10. แผ่นเปิดปิดหลัง

การประกอบ

คำเตือน! ก่อนการประกอบ ตรวจสอบให้แน่ใจว่า เครื่องมือปิดสวิตช์อยู่และถอดปลั๊กไฟแล้ว

การประกอบกล่องเก็บหญ้า (รูป A, B และ C)

กล่องเก็บหญ้าต้องประกอบก่อนการใช้งานและมี 3 ชั้น

- ◆ ไขคดลียึดมือจับ (7) เข้ากับฝาปิด (9a) ของกล่องเก็บหญ้า (รูป B) มือจับจะใส่พอดีหนึ่งรอบเท่านั้น
- ◆ ปรับแนวฝาปิด (9a) เข้ากับฐานของกล่องเก็บหญ้า (9b) ตรวจสอบให้แน่ใจว่าตัวนำอยู่ในแนวเดียวกัน (รูป C)

หมายเหตุ: ใช้ความระมัดระวังเป็นพิเศษเมื่อปรับแนวคดลียึด 2 ตัว ที่ด้านหลังของกล่องเก็บหญ้า

- ◆ กดฝาปิดลงเพื่อยึดคดลียึดทั้งหมดให้แน่น เริ่มต้นที่ด้านหลังและตรวจสอบให้แน่ใจว่าคดลียึดทั้งหมดยึดเข้าที่แน่นแล้ว

การติดตั้งมือจับด้านล่าง (รูป D)

- ◆ ใส่ปลายของมือจับด้านล่าง (6) เข้าในรูที่ตรงกันในเครื่องตัดหญ้า
- ◆ กดมือจับลงจนสุด
- ◆ ยึดมือจับให้แน่นโดยใช้สกรู

การประกอบมือจับด้านบน (รูป E)

- ◆ ติดตั้งมือจับด้านบน (4) เข้ากับมือจับด้านล่าง (6) โดยใช้น็อตล็อก (5) วงแหวนและสกรูตั้งที่แสดง

หมายเหตุ: มือจับด้านบนสามารถยึดเข้าที่ใต้ 2 ตำแหน่ง ในระดับความสูงที่แตกต่างกัน

การใส่กล่องเก็บหญ้า (รูป F)

- ◆ ยกแผ่นเปิดปิด (10) และใส่กล่องเก็บหญ้า (9) เหนือหูเกี่ยว

ตำแหน่งการจับที่เหมาะสม (รูป G)

คำเตือน! เพื่อลดความเสี่ยงอันจะก่อให้เกิดการบาดเจ็บ

ร้ายแรง ให้ใช้ตำแหน่งของการจับที่ถูกต้องดังที่แสดง **คำเตือน!** เพื่อลดความเสี่ยงอันจะก่อให้เกิดการบาดเจ็บร้ายแรง ให้จับเครื่องมือให้กระชับเพื่อให้สามารถตอบสนองต่อเหตุการณ์ได้อย่างทันท่วงที ตำแหน่งของการจับที่ถูกต้องคือ มือหนึ่งอยู่บนด้ามจับแต่ละด้าน (2)

การปรับความสูงของการตัด (รูป H)

คำเตือน! ตรวจสอบให้แน่ใจว่าใบมีดหยุดหมุนจนสนิทดีแล้วและถอดปลั๊กเครื่องออกจากแหล่งจ่ายไฟ การปรับความสูงของการตัดทำได้โดยการปรับความสูงของล้อทั้งหมด ซึ่งสามารถเลือกได้ 3 ตำแหน่ง

- ◆ ถอดกล่องเก็บหญ้า (9)
- ◆ พลิกเครื่องตัดหญ้าหงายท้องขึ้น
- ◆ จับล้อให้แน่น แล้วกด/ดึงแกนล้อจากตำแหน่งปัจจุบัน
- ◆ เสือนล้อขึ้น/ลงไปยังตำแหน่งที่วางล้อไป

หมายเหตุ: ปรับครั้งละหนึ่งล้อ ปรับตำแหน่งความสูงครั้งละหนึ่งตำแหน่ง

การเปิดและปิดสวิตช์ (รูป I)

การเปิดสวิตช์

- ◆ กดปุ่มเปิด/ปิด (1)
- ◆ ดึงสวิตช์เปิด/ปิดทางซ้ายหรือขวา (3) ไปทางมือจับ

การปิดสวิตช์

- ◆ ปลดสวิตช์เปิด/ปิด (3)

คำเตือน! อย่าพยายามลือคดสวิตช์ในตำแหน่ง ON

การตัดหญ้า (รูป J1 และ J2)

เราแนะนำให้ใช้เครื่องตัดหญ้าของคุณเป็นตัวอย่างคร่าวๆ ในส่วนนี้ เพื่อให้ได้ผลลัพธ์ที่ดีที่สุดและลดความเสี่ยงของการตัดสายเคเบิลหลัก

- ◆ วางกองสายไฟบนสนามหญ้า ใกล้กับจุดเริ่มต้น (ตำแหน่งที่ 1 ในรูป J1)
- ◆ เปิดสวิตช์เครื่องตามที่อธิบายไว้ด้านบน
- ◆ ดำเนินการตามขั้นตอนที่แสดงในรูป J1
- ◆ ย้ายจากตำแหน่ง 1 ไปที่ตำแหน่ง 2
- ◆ ไปทางขวาและดำเนินการต่อไปยังตำแหน่ง 3
- ◆ ไปทางซ้ายและย้ายไปยังตำแหน่ง 4
- ◆ ทำขั้นตอนด้านบนซ้ำตามต้องการ

คำเตือน! ห้ามทำงานไปทางสายไฟตามที่แสดงในรูป J2

การตัดจนถึงขอบ (รูป K, L)

การตัดจนถึงขอบช่วยให้คุณตัดหญ้าได้ถึงความสูงของผนังหรือรั้ว (รูป K)

การตัดจนถึงขอบช่วยให้คุณตัดหญ้าได้อย่างแม่นยำจนถึงขอบของสนามหญ้าของคุณ (รูป L)

- ◆ ใช้เครื่องตัดหญ้ายาวนานกับขอบของสนามหญ้าของคุณ ดันเครื่องตัดหญ้าไปตามขอบของสนามหญ้า ตรวจสอบให้แน่ใจว่าเครื่องตัดหญ้าสูงกว่าขอบของสนามหญ้าของคุณเล็กน้อย (รูป L)

การเปลี่ยนใบมีด (รูป M, N)

หมายเหตุ: เครื่องตัดหญ้ารุ่น BEMW451BH

จะใช้ใบมีดมีปีกแบบใหม่ของ BLACK+DECKER

(หมายเลขรุ่น A6319) เพื่อการเก็บหญ้าที่ดีกว่า

คำเตือน! ตรวจสอบให้แน่ใจว่าใบมีดหยุดหมุนจนสนิทดีแล้วและถอดปลั๊กเครื่องออกจากแหล่งจ่ายไฟ

- ◆ ตัดขึ้นไม้ขนาด 2x4 (12) หนา 305 มม. เพื่อใช้สำหรับช่วยขัดไม้ให้ใบมีดหมุนในระหว่างการเปลี่ยนน็อตล็อกใบมีด
- ◆ ตะแคงเครื่อง สวมถุงมือและอุปกรณ์ป้องกันดวงตาที่เหมาะสม ระมัดระวังขอบคมของใบมีด
- ◆ นำไม้ขัดไว้บนตำแหน่ง (12) เพื่อป้องกันไม่ให้ใบมีดหมุนดังที่แสดงในรูป M
- ◆ ใช้ประแจขนาด 13 มม. (13) เพื่อขันให้หลวมและเปลี่ยนสลักไม้มัดออกโดยการหมุนทวนเข็มนาฬิกา

- ◆ ดึงถอดใบมีด (11) ดังที่แสดงในรูป N ตรวจสอบความเสียหายของชิ้นส่วนทั้งหมด และเปลี่ยนตามความจำเป็น

การติดตั้งใบมีด (รูป O)

- ◆ วางใบมีด (11) บนเพลาสลัก โดยหันตัวอักษรบนใบมีดออกข้างนอก และวางสลักใบมีดลงบนเพลาสลัก
- ◆ ขันสลักยึดใบมีดด้วยมือให้แน่นที่สุด
- ◆ นำไม้ขีดไว้ในตำแหน่ง (12) เพื่อป้องกันไม่ให้ใบมีดหมุนดังที่แสดงในรูป O
- ◆ ใช้ประแจ 13 มม. ขันสลักยึดใบมีดให้แน่นโดยการหมุนประแจตามเข็มนาฬิกา

การลับคมใบมีด

หมั่นลับใบมีดให้คมอยู่เสมอเพื่อประสิทธิภาพการทำงานของเครื่องตัดหญ้าที่ดีที่สุด ใบมีดที่ทื่อจะทำให้ตัดหญ้าได้ไม่หมดจด ใช้อุปกรณ์ป้องกันดวงตาให้เหมาะสมในขณะที่ทื่อ ลับ หรือติดตั้งใบมีด โดยปกติการลับคมใบมีดสองครั้งในช่วงฤดูกาลตัดหญ้าถือว่าเพียงพอแล้วในสถานการณ์ปกติ

ทรายจะทำให้ใบมีดที่อืดอย่างรวดเร็วจน หากเครื่องตัดหญ้าของคุณเค็ดดินทราย อาจจำเป็นต้องลับคมใบมีดใหม่บ่อยขึ้น

หมายเหตุ: เปลี่ยนใบมีดที่คดงอหรือชำรุดเสียหายทันทีเมื่อทำการลับคมใบมีด:

- ◆ ตรวจสอบให้แน่ใจว่าใบมีดเท่ากันทั้งหมด
- ◆ ลับใบมีดที่มุมตัดเดิม
- ◆ ลับใบมีดที่ขอบตัดทั้งสองด้าน โดยลับออกให้เท่ากันทั้งสองด้าน

การลับใบมีดด้วยแท่นจับ (รูป P)

- ◆ ตรวจสอบให้แน่ใจว่าใบมีดหยุดหมุนสนิทและถอดปลั๊กเครื่องตัดหญ้าออกแล้วก่อนทำการถอดใบมีด
 - ◆ ถอดใบมีดออกจากเครื่องตัดหญ้า ดูคำแนะนำสำหรับการถอดและการติดตั้งใบมีด
 - ◆ วางใบมีด (11) ลงบน แท่นจับ (14)
 - ◆ สวมอุปกรณ์ป้องกันดวงตาและถุงมือให้เหมาะสมและระวังอย่าให้ใบมีดบาด
- ค่อยๆ ถูขอบตัดของใบมีดด้วยตะไบพื้นละเอียด (15) หรือหินลับ โดยยังคงรักษามุมของขอบตัดเดิมของใบมีดเอาไว้ ตรวจสอบความเท่ากันของใบมีด ดูคำแนะนำสำหรับการลับคมใบมีดให้เท่ากัน
- ◆ เปลี่ยนใบมีดเครื่องตัดหญ้าและขันให้แน่น

การปรับความสมดุลของใบมีด (รูป Q)

ตรวจสอบความสมดุลของใบมีด (11) โดยการใส่ตะปูหรือไขควงก้านยาวที่ตรงกลางใบมีด และวางราบใบแนวนอนโดยให้ยึดติดกับแท่นจับ หากด้านใดด้านหนึ่งของใบมีดเลื่อนลงต่ำ ให้ดูตะไบขอบของด้านที่ตกลงมา ใบมีดจะสมดุลเท่ากันเมื่อใบมีดทั้งสองด้านไม่ตกลงมา

การหล่อลื่น

ไม่จำเป็นต้องมีการหล่อลื่น ห้ามใส่น้ำมันกับสเปรย์ เครื่องจะมีผิวสัมผัสร่องสันแบบพลาสติกซึ่งไม่จำเป็นต้องใช้การหล่อลื่น

การทำความสะอาด

ปิดเครื่องและรอนกว่าใบมีดจะหยุดหมุนสนิท ทำความสะอาดเครื่องโดยใช้สบู่อ่อนและผ้าขนานหมาดๆ เท่านั้น ทำความสะอาดโดยเอาเศษที่ถูกตัดออกซึ่งอาจจะติดสะสมอยู่ข้างใต้ของตัวเครื่องออกให้หมด หลังจากการใช้งานหลายครั้ง ให้ตรวจสอบความแน่นของส่วที่ยึดทั้งหมด

การป้องกันการกัดกร่อน

ปฏิกิริยาและสารเคมีอื่นมีสารที่เร่งการกัดกร่อนของโลหะอย่างรวดเร็ว

หากคุณตัดหญ้าในบริเวณที่มีการใช้ปุ๋ยหรือสารเคมี ควรทำความสะอาดทันทีหลังจากตัดหญ้าเสร็จดังนี้: ปิดเครื่องตัดหญ้าและถอดปลั๊กออก เช็ดส่วนด้านนอกที่มองเห็นได้ทั้งหมดด้วยผ้าขนานหมาดๆ

การบำรุงรักษา

เครื่องมือแบบมีสาย/ไร้สายของ BLACK+DECKER ได้รับการออกแบบมาเพื่อให้สามารถใช้งานได้ยาวนานต่อเนื่องโดยมีการบำรุงรักษาน้อยที่สุด การใช้งานเครื่องที่สร้างความพึงพอใจอย่างต่อเนื่องจะขึ้นอยู่กับการดูแลรักษาเครื่องมือที่เหมาะสมและการทำความสะอาดเป็นประจำ

คำเตือน! ก่อนทำการบำรุงรักษาเครื่องมือไฟฟ้าแบบมีสาย/ไร้สาย จะต้อง:

- ◆ ปิดสวิตซ์และถอดปลั๊กอุปกรณ์/เครื่องมือ
- ◆ ทำความสะอาดของระบบระบายอากาศในเครื่องมือของคุณเป็นประจำโดยใช้แปรงขนอ่อนหรือผ้าแห้ง
- ◆ ทำความสะอาดตัวมอเตอร์เป็นประจำโดยใช้ผ้าขนานหมาดๆ ห้ามใช้น้ำยาทำความสะอาดที่มีฤทธิ์กัดกร่อนหรือมีส่วนผสมของตัวทำละลาย
- ◆ ใช้เครื่องชุดที่ไม่มีคมชุดหญ้าและสิ่งสกปรกออกจากด้านล่างของตัวครอบป้องกันเป็นประจำ

การแก้ปัญหา

ถ้าเครื่องของคุณทำงานผิดปกติ ให้ทำตามคำแนะนำด้านล่าง ถ้าคำแนะนำนี้ไม่สามารถแก้ปัญหาได้ โปรดติดต่อตัวแทนซ่อมของ BLACK+DECKER ใกล้บ้านคุณ

คำเตือน! ก่อนดำเนินการ ให้ปล่อยมือจับเพื่อปิดเครื่อง และรอนกว่าใบมีดจะหยุดหมุนสนิท

ปัญหา	สาเหตุที่เป็นไปได้	การแก้ไขที่สามารถทำได้
เครื่องตัดหญ้าไม่เริ่มทำงาน	ไม่ได้เสียบสายไฟ	เสียบปลั๊กเครื่องเข้ากับเต้าเสียบที่ใช้งานได้
	ฟิวส์ขาด	เปลี่ยนฟิวส์ (ถ้าฟิวส์ขาดบ่อยๆ ให้หยุดใช้งานทันที และส่งเข้ารับบริการโดยศูนย์บริการที่ได้รับอนุญาตจาก BLACK+DECKER)
	สายไฟหรือสวิตช์ชำรุดเสียหาย	เปลี่ยนสายไฟหรือสวิตช์โดยศูนย์บริการ BLACK+DECKER ที่ผ่านการรับรอง
	หญ้ายาวเกินไป	เพิ่มความสูงของการตัด และเข็นเครื่องตัดหญ้าไปเริ่มการตัดจากบริเวณที่มีหญ้าที่สั้นกว่า
การทำงานของเครื่องสะดุดเป็นช่วงๆ	การตัดการทำงานเนื่องจากความร้อน	ปล่อยให้มอเตอร์เย็นลงและเพิ่มความสูงของการตัด
ตัดหญ้าไม่เรียบร้อยหรือมอเตอร์ทำงานผิดปกติ	ความสูงของการตัดต่ำเกินไป	เพิ่มความสูงของการตัด
	ใบมีดทื่อ	เปลี่ยนใบมีด
	มีสิ่งกีดขวางใต้เครื่อง	ตรวจสอบใต้เครื่องและนำสิ่งกีดขวางออกตามที่จำเป็น (สวมถุงมือสำหรับงานหนักทุกครั้ง)
	ใส่ใบมีดกลับด้าน	ใส่ใบมีดใหม่ให้ถูกต้อง

ข้อมูลการบริการ

BLACK+DECKER ให้บริการเครือข่ายศูนย์บริการของบริษัทเองและศูนย์ฯ ที่ได้รับการรับรองเต็มรูปแบบทั่วทั้งทวีปเอเชีย ศูนย์บริการ BLACK+DECKER ทุกแห่งมีพนักงานที่ผ่านการฝึกอบรมเพื่อให้บริการผลิตภัณฑ์ได้อย่างมีประสิทธิภาพและเชื่อถือได้

ไม่ว่าคุณต้องการคำแนะนำด้านเทคนิค การซ่อมแซมหรืออะไหล่แท้จากโรงงาน โปรดติดต่อศูนย์ BLACK+DECKER ใกล้บ้าน

หมายเหตุ

- ◆ BLACK+DECKER มีนโยบายที่จะพัฒนาปรับปรุงผลิตภัณฑ์อย่างต่อเนื่อง ด้วยเหตุนี้เราจึงขอสงวนสิทธิ์ในการเปลี่ยนแปลงข้อมูลจำเพาะของผลิตภัณฑ์โดยไม่ต้องแจ้งให้ทราบล่วงหน้า
- ◆ อุปกรณ์มาตรฐานและอุปกรณ์เสริมอาจแตกต่างกันในแต่ละประเทศ
- ◆ ข้อมูลจำเพาะของผลิตภัณฑ์อาจแตกต่างกันในแต่ละประเทศ
- ◆ ตัวเลือกผลิตภัณฑ์อาจมีจำหน่ายไม่ครบทุกรายการในบางประเทศ โปรดสอบถามรุ่นผลิตภัณฑ์ที่มีจำหน่ายจากตัวแทนจำหน่ายของ BLACK+DECKER ในประเทศของคุณ

การปกป้องสิ่งแวดล้อม



การเก็บรวบรวมแบบคัดแยก ห้ามทิ้งผลิตภัณฑ์และแบตเตอรี่ที่มีสัญลักษณ์นี้รวมกับขยะในครัวเรือนปกติ

ผลิตภัณฑ์และแบตเตอรี่ประกอบด้วยวัสดุที่สามารถนำกลับมาใช้ใหม่หรือรีไซเคิลได้ เพื่อลดความต้องการวัสดุขุดไปรรตรีไซเคิลอุปกรณ์ไฟฟ้าและแบตเตอรี่ตามข้อบังคับในท้องถิ่น ดูข้อมูลเพิ่มเติมได้ที่ www.2helpU.com

BEMW451BH MÁY CẮT CỎ

Dữ liệu kỹ thuật

Điện áp	V _{ac}	220-240
Công suất đầu vào	W	1200
Tốc độ không tải	phút ⁻¹	3500
Điều chỉnh độ cao	mm	23 - 63
Chiều dài lưỡi cắt	mm	320
Trọng lượng	Kg	10,3

Mục đích sử dụng

Máy cắt cỏ BLACK+DECKER BEMW451BH của bạn được thiết kế để cắt cỏ. Thiết bị này chỉ dùng trong gia đình.

Hướng dẫn an toàn

Cảnh báo! Khi sử dụng các thiết bị chạy bằng điện nguồn, luôn phải tuân theo các biện pháp an toàn cơ bản dưới đây để giảm thiểu nguy cơ cháy nổ, giật điện và chấn thương cá nhân.

- ♦ Đọc kỹ tài liệu hướng dẫn này trước khi sử dụng thiết bị.
- ♦ Mục đích sử dụng được mô tả trong tài liệu hướng dẫn này. Việc sử dụng bất kỳ phụ kiện hay thiết bị đi kèm hoặc thực hiện bất kỳ thao tác nào bằng thiết bị này ngoài các mục đích sử dụng khuyến nghị trong tài liệu hướng dẫn này có thể dẫn đến nguy cơ bị chấn thương cá nhân.
- ♦ Giữ lại hướng dẫn này để tham khảo về sau.

- ♦ Vui lòng đọc kỹ hướng dẫn. Làm quen với các nút điều khiển và sử dụng thiết bị đúng cách.
- ♦ Tuyệt đối không cho phép trẻ em và những người chưa đọc những hướng dẫn này sử dụng máy. Luật lệ địa phương có thể hạn chế tuổi của người vận hành.
- ♦ Tuyệt đối không vận hành máy khi có người khác, đặc biệt là trẻ em, hoặc vật nuôi ở gần.
- ♦ Hãy nhớ rằng người vận hành hoặc người sử dụng phải chịu trách nhiệm về những tai nạn hoặc những nguy hiểm xảy ra với những người khác hoặc tài sản của họ.

Chuẩn bị

- ♦ Khi vận hành máy, luôn mang giày chắc chắn và mặc quần dài. Không vận hành máy khi đi chân không hoặc đi dép hở ngón. Tránh mặc quần áo rộng hoặc có dây treo hay dây buộc.
- ♦ Kiểm tra kỹ khu vực sẽ sử dụng máy và loại bỏ tất cả các vật có thể bị văng ra do máy.
- ♦ Trước khi sử dụng, luôn kiểm tra bằng mắt xem lưỡi cắt, bu-lông bắt lưỡi và cụm lưỡi có bị mòn hay hư hỏng không. Thay thế các bộ phận mòn hoặc hư hỏng theo bộ để đảm bảo cân bằng. Thay thế các nhãn bị hỏng hoặc không đọc được.
- ♦ Trước khi sử dụng, kiểm tra xem

Đào tạo

dây nguồn và dây nối dài có dấu hiệu hỏng hóc hoặc xuống cấp không. Nếu dây bị hư hỏng trong quá trình sử dụng, lập tức ngắt kết nối dây khỏi nguồn điện. **KHÔNG CHẠM VÀO DÂY TRƯỚC KHI NGẮT KẾT NỐI NGUỒN ĐIỆN.** Không sử dụng máy nếu dây bị hư hỏng hoặc bị mòn.

- ◆ Đeo kính bảo hộ khi vận hành dụng cụ này. Sử dụng mặt nạ che mặt hoặc phòng bụi khi làm việc trong môi trường bụi bẩn. Nếu mức ồn gây khó chịu, thiết bị bảo vệ tai có thể đã bị mòn.
- ◆ Bảo vệ chống điện giật. Tránh tiếp xúc với các bề mặt được nối đất (như thanh ray kim loại, cột đèn, v.v...).

Hoạt động

- ◆ Tuyệt đối không vận hành thiết bị với các bộ phận che hoặc chắn bị hỏng, hoặc không có thiết bị an toàn, ví dụ như lắp tấm dẫn cỏ và/hoặc bộ phận bắt cỏ.
- ◆ Chỉ sử dụng thiết bị dưới ánh sáng ban ngày hoặc dưới đèn đủ sáng.
- ◆ Không được để thiết bị ngoài mưa. Không sử dụng thiết bị trong các điều kiện ẩm hoặc ướt. Không nên sử dụng thiết bị cho cỏ ướt.
- ◆ Đảm bảo đứng ở tư thế hợp lý,

đặc biệt là trên dốc. Cần lưu ý rằng cỏ mới cắt ẩm và trơn trượt. Không làm việc trên địa hình có độ dốc lớn.

- ◆ Cắt ngang bề mặt địa hình dốc, tuyệt đối không cắt hướng lên hoặc xuống. Đặc biệt cẩn thận khi đổi chiều trên địa hình dốc.
- ◆ Không làm việc trên địa hình có độ dốc lớn.
- ◆ Đi từ từ, tuyệt đối không chạy khi sử dụng thiết bị. Không kéo thiết bị về phía bạn hoặc đi lùi khi sử dụng thiết bị.
- ◆ Bật thiết bị theo hướng dẫn và để chân bạn cách xa lưỡi cắt.
- ◆ Không khởi động máy khi bạn đang đứng trước lỗ xả cỏ.
- ◆ Không nghiêng thiết bị khi bật máy, trừ khi cần phải nghiêng thiết bị để khởi động.

Trong trường hợp này, không nghiêng thiết bị quá mức cần thiết và chỉ nâng phần ở cách xa người vận hành. Luôn đảm bảo nắm cả hai tay ở vị trí vận hành trước khi đặt thiết bị trên mặt đất.

- ◆ Tắt thiết bị và chờ cho đến khi cụm lưỡi cắt ngừng chạy nếu phải nghiêng thiết bị để vận chuyển khi di chuyển qua các bề mặt khác, và khi vận chuyển thiết bị từ khu vực này đến khu vực khác cần cắt cỏ.
- ◆ Không nâng hoặc mang thiết bị cho đến khi lưỡi cắt dừng hoàn toàn.
- ◆ Đặt lưỡi cắt cách xa tay và chân bạn.

- ♦ Không để tay hoặc chân gần hoặc bên dưới các bộ phận quay.
- ♦ Luôn tránh xa lối xả cỏ.
- ♦ Tắt máy, rút phích cắm khỏi ổ cắm và đảm bảo rằng các bộ phận quay đã dừng hoàn toàn trước khi rời khỏi thiết bị và trước khi thay, vệ sinh hoặc kiểm tra bất kỳ bộ phận nào của thiết bị hoặc loại bỏ vật gây tắc. Sau khi đâm phải vật lạ. Kiểm tra máy xem có hư hỏng không và sửa chữa trước khi khởi động lại và vận hành máy;
- ♦ Nếu máy bắt đầu rung bất thường hoặc nếu bạn đâm phải vật lạ, tắt máy và rút phích cắm ra khỏi ổ cắm. Kiểm tra tình trạng hư hỏng trên thiết bị, thay thế hoặc sửa chữa các bộ phận hỏng, kiểm tra và siết chặt các bộ phận bị lỏng.
- ♦ Để dây nguồn cách xa lưỡi cắt. Luôn chú ý vị trí của dây điện.
- ♦ Động cơ sẽ tiếp tục chạy trong vài giây sau khi tắt thiết bị. Tuyệt đối không cố gắng dừng lưỡi cắt.

Bảo trì và bảo quản

- ♦ Trước khi sử dụng, hãy kiểm tra các bộ phận bị hỏng hoặc bị lỗi của thiết bị.
Kiểm tra các bộ phận chuyển động xem có bị lắp lệch hoặc kẹt không, các bộ phận có bị vỡ không, các bộ phận chắn và công tắc có bị hỏng không và bất kỳ tình trạng nào khác có thể ảnh

hưởng đến việc vận hành thiết bị. Đảm bảo thiết bị sẽ vận hành chính xác và thực hiện đúng chức năng thiết kế. Tuyệt đối không sử dụng thiết bị khi bộ phận chắn hay vỏ bị hỏng hoặc chưa được gắn. Không sử dụng thiết bị có bất kỳ bộ phận nào bị hỏng hoặc lỗi. Không sử dụng thiết bị nếu công tắc không bật và tắt được.

Mang các bộ phận bị hỏng hoặc lỗi đến đại lý được ủy quyền để sửa chữa hoặc thay thế.

- ♦ Thường xuyên kiểm tra xem dây điện có hỏng hóc không. Nếu dây điện bị hỏng, phải thay dây điện tại một đại lý sửa chữa được ủy quyền để tránh nguy hiểm. Kiểm tra cáp nối dài theo định kỳ. Thay ngay cáp nối dài bị hư hỏng.
- ♦ Đảm bảo tất cả đai ốc, bu-lông và vít trên thiết bị được vặn chặt để duy trì tình trạng hoạt động an toàn.
- ♦ Kiểm tra thùng gom cỏ xem có bị mòn hay hư hỏng không và thay thế nếu cần. Tuyệt đối không sử dụng thiết bị nếu không có thùng gom cỏ.
- ♦ Cẩn thận khi điều chỉnh máy để tránh kẹt ngón tay giữa các lưỡi cắt chuyển động và các bộ phận cố định của máy.
- ♦ Khi bảo dưỡng lưỡi cắt, cần lưu ý rằng ngay cả khi đã tắt nguồn

điện, lưỡi cắt vẫn có thể chuyển động.

- ◆ Khi không sử dụng, phải bảo quản thiết bị ở nơi khô ráo. Không được cho trẻ em ra vào khu vực bảo quản thiết bị.
- ◆ Luôn để máy nguội trước khi cắt.
- ◆ Đảm bảo chỉ sử dụng đúng loại lưỡi cắt thay thế.
- ◆ Chỉ sử dụng các phụ tùng và phụ kiện thay thế được BLACK+DECKER khuyến dùng.

Các hướng dẫn an toàn bổ sung cho Máy cắt cỏ

- ◆ Luôn sử dụng cáp nối dài đã phê duyệt phù hợp với công suất đầu vào của dụng cụ này (xem phần thông số kỹ thuật). Cáp nối dài phải phù hợp để sử dụng ngoài trời và phải được đánh dấu tương ứng. Có thể sử dụng tối đa 30 m cáp nối dài HO5VV-F có tiết diện 1,5 mm² mà không làm giảm hiệu suất của máy.
Trước khi sử dụng, hãy kiểm tra cáp nối dài xem có dấu hiệu hỏng hóc, mòn hay xuống cấp không. Thay cáp nối dài nếu bị hỏng hoặc có khuyết tật. Khi sử dụng lõi quấn dây điện, luôn trải hết dây ra.
- ◆ Không vận chuyển máy khi nguồn điện đang bật
- ◆ Nắm chắc tay cầm bằng cả hai tay khi vận hành máy cắt cỏ.

- ◆ Nếu khi nào bạn cần nghiêng máy cắt cỏ, đảm bảo nắm chắc vị trí vận hành bằng cả hai tay trong khi nghiêng máy cắt cỏ. Nắm chắc vị trí vận hành bằng cả hai tay cho đến khi hạ máy cắt cỏ chính xác trên mặt đất.
- ◆ Tuyệt đối không đeo tai nghe radio hoặc nghe nhạc trong khi điều khiển máy cắt cỏ.
- ◆ Tuyệt đối không cố điều chỉnh chiều cao bánh xe trong khi động cơ đang chạy hoặc chìa khóa an toàn đang nằm trong công tắc.
- ◆ Nếu máy cắt cỏ dừng hoạt động, tắt máy, chờ đến khi lưỡi cắt dừng hẳn trước khi cố gỡ rác hoặc loại bỏ các vật khỏi gầm máy.
- ◆ Để tay và chân tránh xa khu vực cắt.
- ◆ Đảm bảo lưỡi cắt luôn sắc. Luôn đeo găng tay bảo hộ khi xử lý lưỡi cắt của máy cắt cỏ.
- ◆ Nếu bạn đang sử dụng thùng gom cỏ, thường xuyên kiểm tra xem thùng có bị mòn và xuống cấp không. Nếu bị mòn quá mức, thay thùng gom cỏ mới để đảm bảo an toàn.
- ◆ Đặc biệt thận trọng khi lùi hoặc kéo máy cắt cỏ về phía bạn.
- ◆ Không để tay hoặc chân gần hoặc bên dưới máy cắt cỏ. Luôn đứng xa lối xả cỏ.
- ◆ Loại bỏ các vật như đá, que, dây, đồ chơi, xương, v.v... có thể bị

văng ra do máy cắt cỏ khỏi khu vực sẽ sử dụng máy.

Các vật mà lưỡi cắt va vào có thể gây thương tích nghiêm trọng cho con người.

Đứng phía sau tay cầm khi động cơ đang chạy.

- ♦ Không vận hành máy cắt cỏ khi đi chân không hoặc đi dép. Luôn mang giày chắc chắn.
- ♦ Không kéo máy cắt cỏ ra sau trừ khi cực kỳ cần thiết. Luôn quan sát bên dưới và phía sau trước và trong khi lùi.
- ♦ Không xả cỏ về phía người khác. Tránh xả cỏ vào tường hoặc các vật cản. Cỏ có thể bắn ngược vào người vận hành. Nhả cần khởi động để tắt máy cắt cỏ và dừng lưỡi cắt khi đi qua các bề mặt rải sỏi.
- ♦ Không vận hành máy cắt cỏ nếu thùng gom cỏ, tấm chắn xả, tấm che phía sau hoặc thiết bị bảo vệ an toàn khác không được lắp và không hoạt động. Định kỳ kiểm tra tất cả các bộ phận chắn và thiết bị bảo vệ an toàn để đảm bảo chúng ở tình trạng hoạt động tốt và sẽ hoạt động chính xác và thực hiện được các chức năng được thiết kế. Thay thế bộ phận chắn hoặc thiết bị an toàn hư hỏng trước khi tiếp tục sử dụng.
- ♦ Tuyệt đối không bỏ mặc máy cắt cỏ đang chạy.

- ♦ Luôn nhả tay cầm để dừng động cơ và chờ cho đến khi lưỡi cắt dừng hoàn toàn trước khi vệ sinh máy cắt cỏ, tháo túi cỏ, gỡ vật bị kẹt ở tấm chắn xả, khi rời khỏi máy cắt cỏ hoặc trước khi tiến hành điều chỉnh, sửa chữa hoặc kiểm tra.
- ♦ Chỉ vận hành máy cắt cỏ dưới ánh sáng ban ngày hoặc dưới đèn đủ sáng khi có thể quan sát rõ các vật trên đường đi của lưỡi cắt từ khu vực vận hành máy.
- ♦ Không vận hành máy cắt cỏ khi bạn đang chịu ảnh hưởng của rượu bia, chất kích thích hoặc khi bạn đang mệt, ốm. Luôn tập trung, chú ý vào những gì bạn đang làm và luôn tỉnh táo.
- ♦ Tránh xa các môi trường nguy hiểm.
Tuyệt đối không sử dụng máy cắt cỏ cho cỏ ẩm hoặc ướt, tuyệt đối không sử dụng máy khi trời mưa. Luôn đứng ở tư thế hợp lý, đi bộ, tuyệt đối không chạy.
- ♦ Nếu máy cắt cỏ bắt đầu rung bất thường, nhả công tắc bật/tắt, chờ cho đến khi lưỡi cắt dừng hẳn, sau đó kiểm tra nguyên nhân ngay. Tình trạng rung thường báo hiệu sự cố, xem hướng dẫn khắc phục sự cố để được hướng dẫn trong trường hợp bị rung bất thường.
- ♦ Luôn đeo khẩu trang và kính bảo hộ khi vận hành máy cắt cỏ.

- ♦ Việc sử dụng các phụ kiện hoặc bộ phận gắn kèm không được khuyến dùng với máy cắt cỏ có thể dẫn đến nguy hiểm. Chỉ sử dụng phụ kiện được BLACK+DECKER phê duyệt.
- ♦ Tuyệt đối không rướn người khi đang vận hành máy cắt cỏ. Luôn đứng ở tư thế thích hợp và cân bằng trong khi vận hành máy cắt cỏ.
- ♦ Cắt ngang bề mặt địa hình dốc, tuyệt đối không cắt hướng lên hoặc xuống. Đặc biệt cẩn thận khi đổi chiều trên địa hình dốc.
- ♦ Quan sát các lỗ, rãnh, ụ, tảng đá hoặc các vật bị che khuất khác. Địa hình không bằng phẳng có thể gây trượt và ngã. Cỏ tốt có thể che khuất các vật cản.
- ♦ Không cắt cỏ ướt hoặc trên địa hình có độ dốc lớn. Tư thế đứng không thích hợp có thể gây trượt và ngã.
- ♦ Không cắt cỏ gần các gờ dốc, rãnh hoặc bờ kè. Bạn có thể trượt chân hoặc mất cân bằng.
- ♦ Luôn để máy nguội trước khi cắt. Rút phích cắm khỏi ổ cắm. Đảm bảo rằng tất cả các bộ phận chuyển động đã dừng hoàn toàn:
 - ♦ Bất cứ khi nào bạn rời khỏi thiết bị;
 - ♦ Trước khi loại bỏ vật gây tắc;
 - ♦ Trước khi kiểm tra, vệ sinh hoặc

làm việc trên thiết bị;

Vấn đề an toàn đối với người khác

- ♦ Không cho phép những người (bao gồm cả trẻ em) bị suy giảm năng lực thể chất, trí tuệ hoặc cảm giác, hay người thiếu kinh nghiệm và kiến thức sử dụng thiết bị này. Trừ khi có sự giám sát hoặc hướng dẫn của người chịu trách nhiệm về vấn đề an toàn của họ.
- ♦ Phải giám sát để đảm bảo trẻ không nghịch thiết bị này.
- ♦ Sau khi đâm phải vật lạ. Kiểm tra xem thiết bị có hỏng hóc không và sửa chữa nếu cần.

Các nguy cơ khác

Các nguy cơ khác có thể phát sinh khi sử dụng máy cưa có thể không được đề cập trong các cảnh báo an toàn đính kèm. Những nguy cơ này có thể phát sinh từ việc sử dụng sai mục đích và trong một thời gian dài, v.v... Ngay cả khi áp dụng các quy định an toàn liên quan và thực hiện các thiết bị an toàn, bạn cũng không thể tránh khỏi một số nguy cơ khác. Chúng bao gồm:

- ♦ Chấn thương do chạm vào bất kỳ bộ phận đang chuyển động nào.
- ♦ Chấn thương do chạm vào bất kỳ bộ phận nóng nào.
- ♦ Chấn thương do thay đổi các bộ phận hay phụ kiện.

- ◆ Chấn thương do sử dụng thiết bị trong khoảng thời gian dài. Khi sử dụng bất kỳ thiết bị nào trong khoảng thời gian dài, bạn phải đảm bảo nghỉ giải lao thường xuyên.
- ◆ Suy giảm thính lực.
- ◆ Các mối nguy hại cho sức khỏe do hít phải nhiều bụi khi sử dụng thiết bị (chẳng hạn:- làm việc với gỗ, đặc biệt là gỗ sồi, gỗ dẻ gai và gỗ ép.)
- ◆ Nếu bắt buộc phải vận hành máy ở nơi ẩm ướt, hãy sử dụng thiết bị ngắt mạch tự động (RCD) có dòng tác động ngắt tối đa là 30 mA. Sử dụng RCD giúp giảm nguy cơ bị điện giật.
- ◆ Tuyệt đối không nâng hoặc vận chuyển thiết bị khi động cơ đang chạy.

Biểu tượng cảnh báo

Các biểu tượng cảnh báo sau được ghi trên thiết bị cùng với mã ngày:



Cảnh báo! Đọc kỹ hướng dẫn trước khi vận hành.



Không được để thiết bị ngoài mưa hoặc ở nơi có độ ẩm cao.



Luôn rút phích cắm khỏi ổ cắm trước khi kiểm tra dây điện hỏng. Chú ý không sử dụng thiết bị nếu dây điện bị hỏng.



Đề phòng lưới cắt sắc.



Đề phòng các vật bay. Không để người khác đến gần khu vực cắt cỏ.



Giữ dây điện cách xa lưới cắt.



Lưới cắt vẫn tiếp tục quay sau khi tắt máy.

An toàn điện

Cảnh báo! Do dụng cụ này được cách điện kép nên không cần dây nối đất. Luôn kiểm tra xem nguồn điện có tương ứng với điện áp trên biển thông số định mức hay không.



- ◆ Nếu dây điện bị hỏng, phải yêu cầu nhà sản xuất hoặc trung tâm bảo hành được ủy quyền của BLACK+DECKER thay thế. Tập trung để tránh nguy hiểm.
- ◆ Có thể cải thiện hơn nữa vấn đề an toàn điện bằng cách sử dụng thiết bị ngắt mạch tự động (RCD) 30 mA có độ nhạy cao.

Tính năng

Thiết bị này gồm một số hoặc tất cả những tính năng sau.

1. Nút nguồn
2. Tay nắm tiện dụng
3. Công tắc bật/tắt
4. Tay cầm trên
5. Núm vặn
6. Tay cầm dưới
7. Tay cầm thùng đựng cỏ
8. Tay cầm vận chuyển
9. Thùng gom cỏ.
10. Nắp gập sau

Lắp ráp

Cảnh báo! Trước khi lắp ráp, đảm bảo đã tắt và rút phích nguồn của dụng cụ.

Lắp thùng gom cỏ (hình A, B và C)

Cần lắp thùng đựng cỏ trước khi sử dụng và quy trình lắp gồm 3 bước.

- ◆ Kẹp tay cầm (7) vào trong nắp (9a) của thùng đựng cỏ (hình B). Tay cầm chỉ vừa theo một chiều.
- ◆ Căn chỉnh nắp (9a) trên để thùng gom cỏ đã lắp ráp (9b). Đảm bảo các vấu dẫn hướng được căn chỉnh (hình C)

Lưu ý: Đặc biệt cẩn thận khi căn chỉnh 2 kẹp ở phía sau thùng gom cỏ.

- ◆ Ấn vào nắp để cố định tất cả các kẹp. Bắt đầu từ mặt sau và đảm bảo tất cả các kẹp được cố định chắc chắn.

Lắp tay cầm dưới (hình D)

- ◆ Cắm các đầu của tay cầm dưới (6) vào trong các lỗ tương ứng của máy cắt cỏ.
- ◆ Ấn tay cầm xuống hết cỡ.
- ◆ Dùng vít để cố định tay cầm.

Lắp ráp tay cầm trên (hình E)

- ◆ Gắn tay cầm trên (4) với tay cầm dưới (6) bằng núm vặn (5), gioăng và vít như được minh họa.

Lưu ý: Tay cầm trên có thể được cố định ở 2 vị trí độ cao.

Lắp thùng gom cỏ (hình F)

- ◆ Nhấc nắp gập (10) lên và đặt thùng gom cỏ (9) trên các vấu.

Vị trí tay phù hợp (Hình G)

Cảnh báo! Để giảm thiểu nguy cơ chấn thương nghiêm trọng,

LUÔN đặt tay ở vị trí phù hợp như được minh họa.

Cảnh báo! Để giảm thiểu nguy cơ chấn thương nghiêm trọng,

LUÔN nắm chặt để đề phòng phản lực bất ngờ.

Vị trí tay phù hợp yêu cầu một tay đặt lên mỗi tay nắm tiện dụng (2).

Điều chỉnh độ cao cắt (hình H)

Cảnh báo! Đảm bảo lưỡi cắt đã dừng hẳn và ngắt kết nối thiết bị khỏi nguồn điện.

Điều chỉnh độ cao cắt bằng cách thay đổi độ cao của tất cả các bánh, có 3 vị trí để lựa chọn.

- ◆ Tháo thùng gom cỏ (9).
- ◆ Lật ngược máy cắt cỏ.
- ◆ Giữ một bánh và đẩy/kéo trục khỏi vị trí hiện tại.
- ◆ Di chuyển bánh lên/xuống đến vị trí tiếp theo có sẵn.

Lưu ý: Điều chỉnh một bánh mỗi lần. Điều chỉnh một vị trí độ cao mỗi lần.

Bật và tắt (hình I)

Bật

- ◆ Ấn nút nguồn (1).
- ◆ Kéo công tắc BẬT/TẮT (3) ở bên phải hoặc trái về phía tay cầm.

Tắt

- ◆ Nhả công tắc BẬT/TẮT (3).

Cảnh báo! Tuyệt đối không cố khóa công tắc ở vị trí bật.

Cắt cỏ (hình J1 & J2)

Chúng tôi khuyên bạn nên sử dụng máy cắt cỏ như được mô tả trong phần này để đạt được kết quả tốt nhất và giảm thiểu nguy cơ cắt phải dây nguồn.

- ◆ Đặt chông dây nguồn trên cỏ, gần điểm bắt đầu (vị trí 1 trong hình J1).
- ◆ Bật thiết bị như được mô tả trên đây.
- ◆ Tiếp tục như được minh họa trong hình J1
- ◆ Di chuyển từ vị trí 1 đến vị trí 2.
- ◆ Rẽ phải và tiếp tục di chuyển đến vị trí 3.
- ◆ Rẽ trái và di chuyển hướng đến vị trí 4.
- ◆ Lặp lại quy trình trên nếu cần thiết.

Cảnh báo! Không lái máy về phía dây điện như được minh họa trong hình J2.

Cắt mép (hình K, L)

Cắt mép cho phép bạn cắt cỏ ở ngay chân tường hoặc hàng rào (hình K).

Cắt mép cho phép bạn cắt cỏ chính xác ở ngay mép vạt cỏ của bạn (hình L).

- ◆ Đặt máy cắt cỏ song song với mép vạt cỏ, đẩy máy dọc mép của vạt cỏ. Đảm bảo rằng gờ máy vượt quá mép vạt cỏ một chút (hình L).

Tháo lưới cắt (Hình M, N)

Lưu ý: BEMW451BH sử dụng lưới cắt có cánh mới của BLACK+DECKER (Cat # A6319) để tăng khả năng gom cỏ.

Cảnh báo! Đảm bảo lưới cắt đã dừng hẳn và ngắt kết nối máy cắt cỏ khỏi nguồn điện.

- ◆ Cắt một miếng gỗ kích thước 2x4 (12) 305mm để giữ lưới cắt không quay trong khi tháo đai ốc cánh.
- ◆ Đặt thiết bị nằm nghiêng. Đeo găng tay và kính bảo hộ thích hợp. Chú ý các cạnh sắc của lưới cắt.
- ◆ Chèn miếng gỗ (12) để giữ lưới cắt không bị quay như được minh họa trong Hình M.
- ◆ Sử dụng cờ lê 13mm (13) để nới lỏng và tháo bu-lông bắt lưới cắt bằng cách xoay ngược chiều kim đồng hồ.
- ◆ Kéo lưới cắt (11) ra như được minh họa trong Hình N. Kiểm tra tất cả các bộ phận xem có hư hỏng không và thay thế nếu cần thiết.

Lắp lưới cắt (Hình O)

- ◆ Lắp lưới cắt (11) trên trục bu-lông sao cho chữ cái trên lưới cắt quay ra ngoài và lắp bu-lông bắt lưới cắt trên trục bu-lông.
- ◆ Dùng tay siết chặt bu-lông bắt lưới cắt đến mức tối đa.
- ◆ Chèn miếng gỗ (12) để giữ lưới cắt không bị quay như được minh họa trong Hình O.
- ◆ Sử dụng cờ lê 13mm để siết chặt bu-lông bắt lưới cắt bằng cách vặn cờ lê theo chiều kim đồng hồ.

Mài sắc lưới cắt

Giữ lưới cắt sắc để máy cắt cỏ đạt hiệu suất cao nhất. Lưới cắt cùn sẽ không thể cắt sạch cỏ. Sử dụng kính bảo hộ phù hợp khi tháo, mài và lắp lưới cắt. Chỉ cần mài sắc lưới cắt hai lần trong mỗi mùa cắt cỏ ở điều kiện bình thường.

Cắt làm cho lưới cắt nhanh bị cùn. Nếu bãi cỏ có đất pha cát, cần mài sắc lưới cắt thường xuyên hơn.

Lưu ý: Thay thế ngay lưới cắt bị cong hoặc hư hỏng. Khi mài sắc lưới cắt:

- ◆ Đảm bảo lưới cắt cân bằng.
- ◆ Mài sắc lưới cắt ở góc cắt ban đầu.
- ◆ Mài sắc lưới cắt ở cả hai đầu lưới, loại bỏ một lượng vật liệu như nhau ở cả hai đầu.

Đề mài sắc lưới cắt trong mâm cặp (hình P)

- ◆ Đảm bảo lưới cắt đã dừng và rút phích điện của máy cắt cỏ trước khi tháo lưới.
- ◆ Tháo lưới cắt khỏi máy. Xem hướng dẫn tháo lắp lưới cắt.
- ◆ Cố định lưới cắt (11) trong mâm cặp (14).
- ◆ Đeo kính và găng tay bảo hộ thích hợp và cẩn thận để không bị cắt vào người.

Dùng giữa răng nhỏ hoặc đá mài để giữa các cạnh cắt của lưới cắt (15) một cách cẩn thận, giữ nguyên góc của cạnh cắt ban đầu. Kiểm tra độ cân bằng của lưới cắt. Xem hướng dẫn cách cân bằng lưới cắt.

- ◆ Thay lưới vào máy cắt và vặn chặt.

Cân bằng lưới cắt (hình Q)

Kiểm tra độ cân bằng của lưới cắt (11) bằng cách đặt lỗ tâm của lưới trên một cái đinh hoặc tuốc nơ vít thân tròn, được kẹp nằm ngang trong mâm cặp. Nếu một đầu lưới cắt quay xuống, giữa dọc cạnh sắc của đầu quay xuống đó. Lưới cắt được cân bằng chính xác khi không có đầu nào quay xuống.

Tra dầu

Không cần tra dầu. Không cần tra dầu vào các bánh xe. Bánh xe có các bề mặt ổ trục nhựa không cần tra dầu.

Vệ sinh

Tắt máy và để lưới cắt dừng hẳn. Chỉ sử dụng xà bông nhẹ và khăn ẩm để vệ sinh máy. Loại bỏ rác bẩn có thể tích tụ bên dưới gầm máy. Sau khi sử dụng vài lần, kiểm tra độ kín của tất cả các chi tiết siết giữ hờ.

Chống ăn mòn

Phân bón và các hóa chất làm vườn khác chứa các chất đẩy nhanh đáng kể quá trình ăn mòn kim loại. Nếu bạn cắt cỏ ở khu vực có sử dụng phân bón hoặc hóa chất, phải vệ sinh máy cắt cỏ ngay sau đó theo quy trình sau:

Tắt máy và rút phích điện. Lau sạch các bộ phận hờ bằng khăn ẩm.

Bảo trì

Dùng cụ/thiết bị có dây/không dây của BLACK+DECKER được thiết kế để vận hành trong thời gian dài và ít phải bảo trì nhất. Dùng cụ/thiết bị vận hành liên tục theo ý muốn tùy thuộc vào việc bảo quản dụng cụ đúng cách và vệ sinh thường xuyên.

Cảnh báo! Trước khi bảo dưỡng các dụng cụ điện cầm tay có dây/không dây:

- ◆ Tắt và rút dây nguồn của thiết bị/dụng cụ.
- ◆ Thường xuyên lau chùi các khe thông gió trong dụng cụ/thiết bị bằng chổi mềm hoặc khăn khô.
- ◆ Thường xuyên lau chùi vỏ động cơ bằng khăn ẩm. Không dùng chất tẩy rửa có chứa dung môi hay chất mài mòn.
- ◆ Thường xuyên sử dụng lưới nạo cùng để loại bỏ cỏ và rác bẩn khỏi bên dưới vành chắn.

Khắc phục sự cố

Nếu thiết bị có vẻ vận hành không đúng cách, hãy làm theo hướng dẫn bên dưới. Nếu sự cố này vẫn tiếp diễn, hãy liên hệ với đại lý sửa chữa BLACK+DECKER gần nhất.

Cảnh báo! Trước khi tiếp tục, nhả tay cầm để tắt máy và chờ lưới cắt dừng quay.

Máy cắt sẽ không khởi động.	Chưa cắm dây điện.	Cắm phích cắm của máy vào ổ cắm có điện.
	Cầu chì mạch điện bị nổ.	Thay thế cầu chì mạch điện. (Nếu sản phẩm liên tục bị nổ cầu chì, ngừng sử dụng ngay lập tức và yêu cầu trung tâm dịch vụ được ủy quyền của BLACK+DECKER bảo dưỡng.
	Dây điện hoặc công tắc bị hỏng.	Yêu cầu trung tâm dịch vụ được ủy quyền của BLACK+DECKER thay thế dây điện hoặc công tắc cho bạn.
	Có quá dài.	Tăng độ cao cắt và di chuyển máy đến khu vực cỏ ngắn hơn để bắt đầu.
Máy hoạt động gián đoạn.	Cầu chì nhiệt được kích hoạt.	Để động cơ nguội bớt và tăng độ cao cắt.
Máy cắt không gọt hoặc động cơ chạy quá sức.	Độ cao cắt quá thấp.	Tăng độ cao cắt.
	Lưỡi cắt cùn.	Thay lưỡi cắt.
	Bên dưới máy bị tắc nghẽn.	Kiểm tra bên dưới máy và loại bỏ vật gây tắc nếu cần (luôn đeo găng tay bảo hộ có độ bền cao)
	Lưỡi cắt bị lắp ngược.	Lắp lại lưỡi cắt chính xác.



Thu gom riêng. Không được vứt bỏ sản phẩm và pin có ký hiệu này cùng với rác thải sinh hoạt thông thường.

Sản phẩm và pin chứa vật liệu có thể thu hồi hoặc tái chế giúp giảm nhu cầu về vật liệu thô. Vui lòng tái chế sản phẩm điện và pin theo quy định của địa phương. Thông tin thêm có sẵn tại www.2helpU.com

Thông tin dịch vụ

BLACK+DECKER có sẵn một mạng lưới các trung tâm trực thuộc và ủy quyền trên toàn Châu Á. Tất cả các trung tâm dịch vụ của BLACK+DECKER đều có đội ngũ nhân viên lành nghề nhằm cung cấp cho khách hàng dịch vụ về sản phẩm hiệu quả và tin cậy.

Khi bạn cần tư vấn kỹ thuật, sửa chữa hoặc phụ tùng thay thế chính hãng, vui lòng liên hệ với cơ sở BLACK+DECKER gần nhất.

LƯU Ý

- ◆ Chính sách của BLACK+DECKER là không ngừng cải tiến sản phẩm và do đó, chúng tôi có quyền thay đổi thông số kỹ thuật sản phẩm mà không cần báo trước.
- ◆ Các thiết bị và phụ kiện chuẩn có thể khác nhau tùy theo từng quốc gia.
- ◆ Thông số kỹ thuật của sản phẩm có thể khác nhau tùy theo từng quốc gia.
- ◆ Danh mục sản phẩm hoàn chỉnh có thể không có mặt tại tất cả các quốc gia. Liên hệ với các đại lý của BLACK+DECKER tại quốc gia bạn để được cung cấp danh mục sản phẩm.

Bảo vệ môi trường



