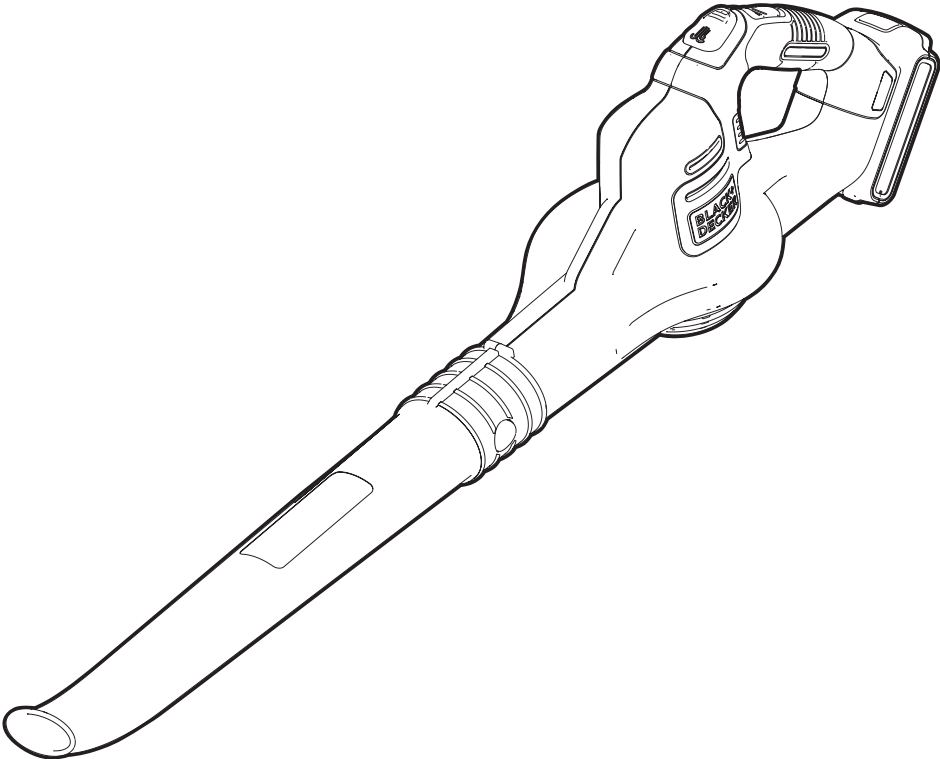
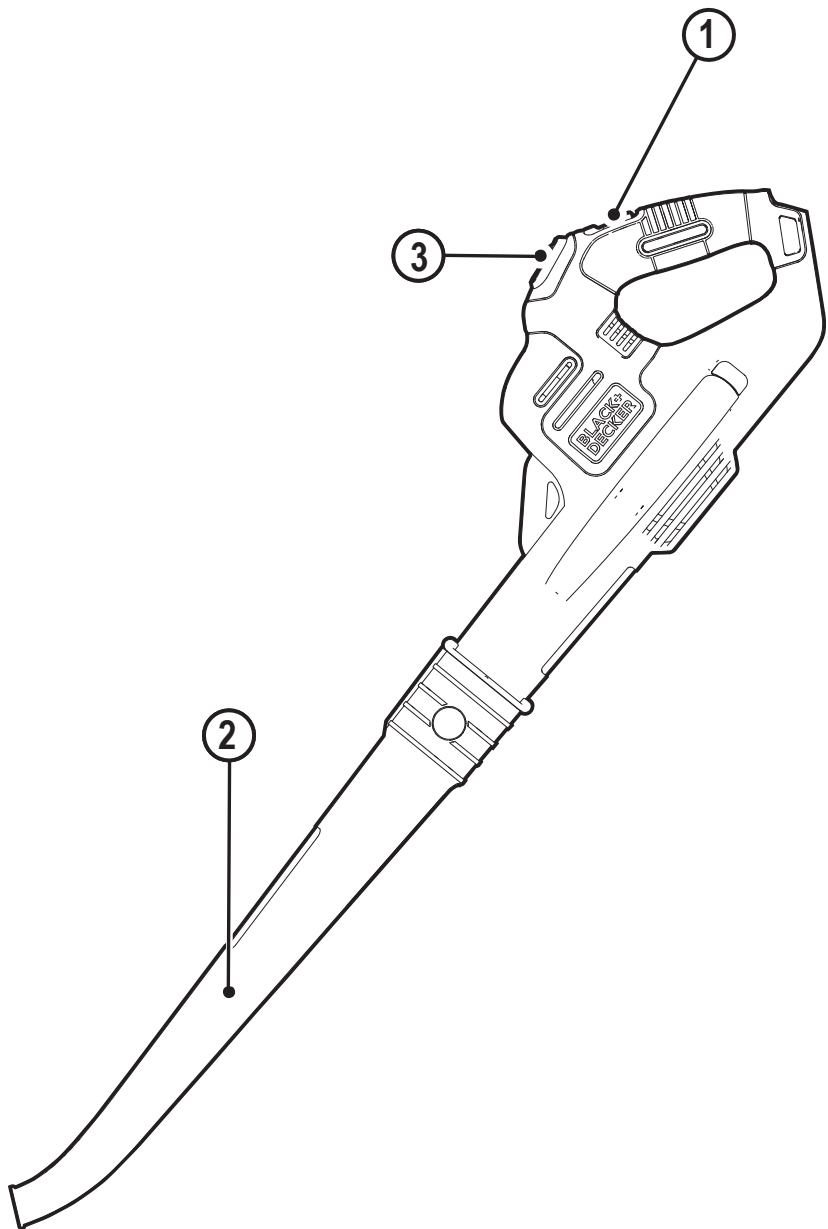


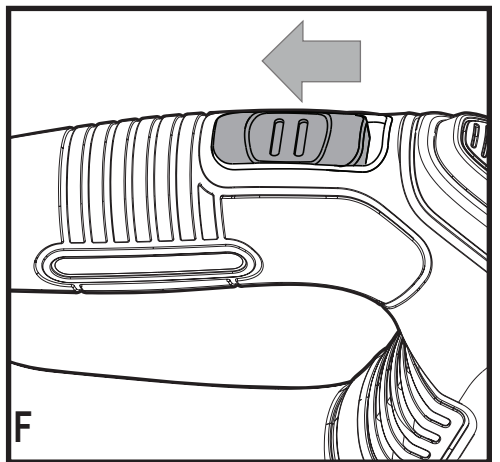
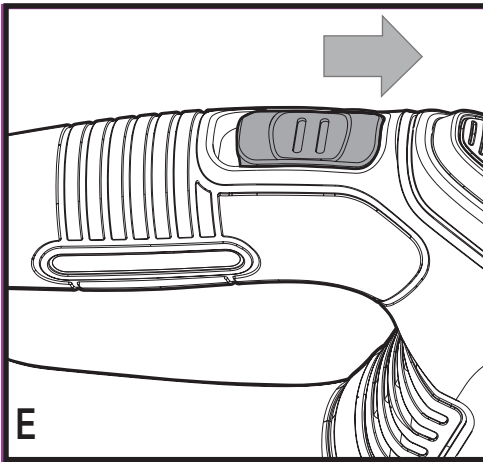
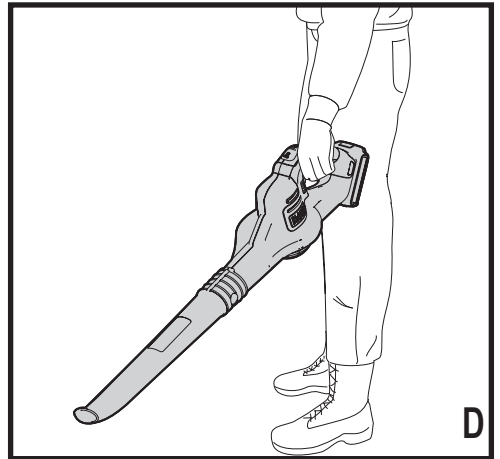
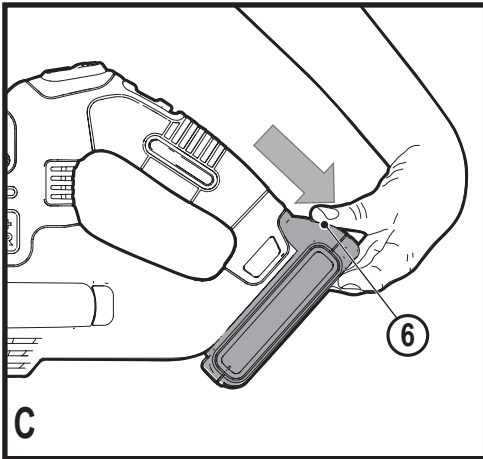
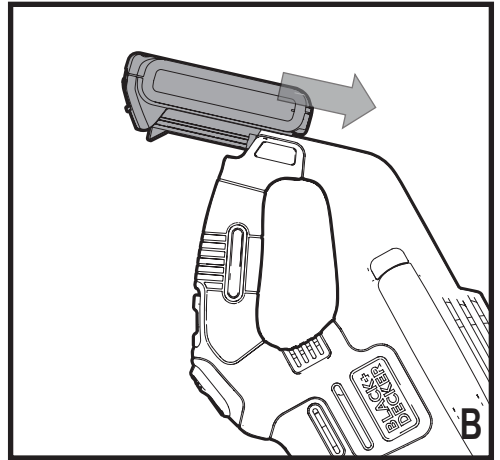
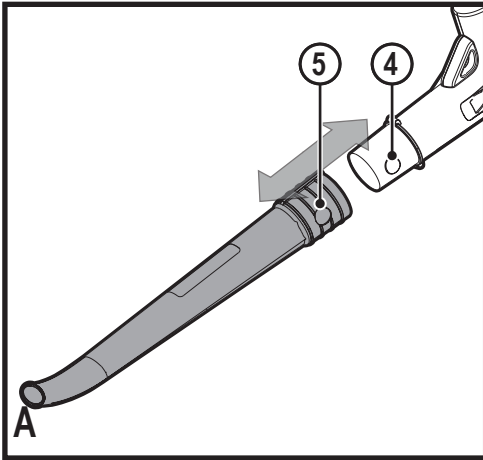


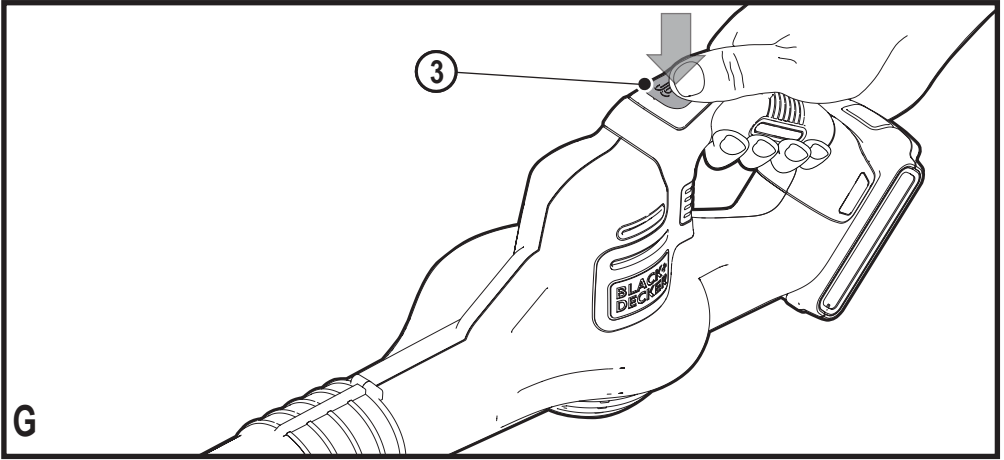
20V Max Power Command Blower  
20V Max 鋰電吹風槍



[www.blackanddecker.com](http://www.blackanddecker.com)







## GWC1820PC BLOWER

### Technical data

		GWC1820PC
Input Voltage	V <sub>ac</sub>	18V (20V Max)
No-Load Speed	/min	10,000 - 12,500
Weight	kg	1.5
		LBXR2020
Voltage	V <sub>ac</sub>	18V (20V Max)
Capacity	Ah	2
Type	Li-Ion	
Charger	mA	2000

### Intended use

Your BLACK+DECKER GWC1820PC blower have been designed for leaf clearing. This appliance is intended for consumer use only.

## Safety instructions

**Warning!** When using mains-powered/cordless appliances, basic safety precautions, including the following, should always be followed to reduce the risk of fire, electric shock, personal injury and material damage.

- ◆ Read all of this manual carefully before operating the appliance.
- ◆ The intended use is described in this manual. The use of any accessory or attachment or the performance of any operation with this appliance other than those recommended in this instruction manual may present a risk of personal injury.
- ◆ Retain this manual for future reference.

## Using your appliance

Always take care when using the appliance.

- ◆ Always use safety glasses or goggles.
- ◆ Never allow children or people unfamiliar with the instructions to use

the appliance.

- ◆ Do not allow children or animals to come near the work area or to touch the appliance or power supply cord.
- ◆ Close supervision is necessary when the appliance is used near children.
- ◆ This appliance is not intended for use by young or infirm persons without supervision.
- ◆ This appliance is not to be used as a toy.
- ◆ Only use the appliance in daylight or good artificial light.
- ◆ Use in a dry location only. Do not allow the appliance to become wet.
- ◆ Avoid using the appliance in bad weather conditions, especially when there is a risk of lightning.
- ◆ Do not immerse the appliance in water.
- ◆ Do not open the body casing. There are not user-serviceable parts inside.
- ◆ Do not operate the appliance in explosive atmospheres, such as in the presence of flammable liquids, gases or dust.
- ◆ The appliance is only to be used with the power supply unit provided with the appliance.

## Residual risks.

Additional residual risks may arise when using the tool which may not be included in the enclosed safety warnings.

These risks can arise from misuse, prolonged use etc.

Even with the application of the relevant safety regulations and the implementation of safety devices, certain residual risks can not be avoided. These include:

- ◆ Injuries caused by touching any rotating/moving parts.
- ◆ Injuries caused when changing any

parts, blades or accessories.

- ◆ Injuries caused by prolonged use of a tool. When using any tool for prolonged periods ensure you take regular breaks.
- ◆ Impairment of hearing.
- ◆ Health hazards caused by breathing dust developed when using your tool (example:- working with wood, especially oak, beech and MDF.)

### After use

- ◆ When not in use, the appliance should be stored in a dry, well ventilated place out of reach of children.
- ◆ Children should not have access to stored appliances.
- ◆ When the appliance is stored or transported in a vehicle it should be placed in the boot or restrained to prevent movement following sudden changes in speed or direction.

### Inspection and repairs

- ◆ Before use, check the appliance for damaged or defective parts. Check for breakage of parts and any other conditions that may affect its operation.
- ◆ Do not use the appliance if any part is damaged or defective.
- ◆ Have any damaged or defective parts repaired or replaced by an authorised repair agent.
- ◆ Never attempt to remove or replace any parts other than those specified in this manual.

### Additional safety instructions for blowers

The intended use is described in this manual. The use of any accessory or attachment or performance of any

operation with this appliance other than those recommended in this instruction manual can present a risk of personal injury and/or damage to property.

- ◆ To protect your feet and legs while operating the appliance, always wear heavy duty footwear and long trousers.
- ◆ Always switch off your product, allow the fan to stop and remove the battery when:
  - ◆ You leave your product unattended.
  - ◆ Clearing a blockage.
  - ◆ Checking, adjusting, cleaning or working on your product.
  - ◆ If the appliance starts to vibrate abnormally.
- ◆ Do not place the inlet or outlet of the vacuum near eyes or ears when operating. Never blow debris in the direction of bystanders.
- ◆ Do not use in the rain or leave outdoors while it is raining.
- ◆ Do not cross gravel paths or roads whilst your product is switched. Walk, never run.
- ◆ Do not place your unit down on gravel while it is switched on.
- ◆ Always be sure of your footing, particularly on slopes. Do not overreach and keep your balance at all times.
- ◆ Do not place any objects into the openings. Never use if the openings are blocked - keep free of hair, lint, dust and anything that may reduce the airflow.

**Warning!** Always use your product in the manner outlined in this manual. Your product is designed to be used in an upright mode and if it is used in any other way it may result in injury. Never run your product whilst lying on it's side or upside down.

- ◆ The operator or user is responsible for accidents or hazards occurring to other people or their property.
- ◆ Do not use solvents or cleaning fluids to clean your product. Use a blunt scraper to remove grass and dirt.
- ◆ Replacement fans are available from a Black & Decker service agent. Use on Black & Decker recommended spare parts and accessories.
- ◆ Keep all nuts bolts and screws tight to make sure that the appliance is in a safe working condition.

## Safety of others

- ◆ This appliance can be used by children aged from 8 years and above and persons with reduced physical, sensory or mental capabilities or lack of experience and knowledge if they have been given supervision or instruction concerning use of the appliance in a safe way and understand the hazards involved. Children shall not play with the appliance. Cleaning and user maintenance shall not be made by children without supervision.
- ◆ Children should be supervised to ensure that they do not play with the appliance.

## Additional safety instructions for batteries and chargers

### Batteries

- ◆ Never attempt to open for any reason.
- ◆ Do not expose the battery to water.
- ◆ Do not store in locations where the temperature may exceed 40 °C.
- ◆ Charge only at ambient temperatures between 10 °C and 40 °C.
- ◆ Charge only using the charger provided with the tool.
- ◆ When disposing of batteries, follow the instructions given in the section "Protecting the environment".

### Chargers

- ◆ Use your BLACK+DECKER charger only to charge the battery in the tool with which it was supplied. Other batteries could burst, causing personal injury and damage.
- ◆ Never attempt to charge non-rechargeable batteries.
- ◆ Have defective cords replaced immediately.
- ◆ Do not expose the charger to water.
- ◆ Do not open the charger.
- ◆ Do not probe the charger.



The charger is intended for indoor use only.



Read the instruction manual before use.

## Electrical safety



Your charger is double insulated; therefore no earth wire is required. Always check that the mains voltage corresponds to the voltage on the rating plate. Never attempt to replace the charger unit with a regular mains plug.

- ◆ If the supply cord is damaged, it must be replaced by the manufacturer or an authorised BLACK+DECKER Service Centre in order to avoid a hazard.

### Labels on appliance

The following warning symbols are found on the appliance along with the date code:



Read the manual prior to operation.



Wear safety glasses or goggles when operating this appliance.



Wear suitable ear protectors when operating this appliance.



Always remove the battery from the appliance before performing any cleaning or maintenance.



Beware of flying objects. Keep bystanders away from the cutting area.



Do not expose the appliance to rain or high humidity.

## Features

This appliance includes some or all of the following features.

1. On / Off Switch
2. Tube
3. Power command button.

## Tube assembly

**Note:** Ensure the sweeper is switched off and the battery is removed before attaching or removing the sweeper tube. The tube must be assembled to the housing before use.

- ◆ To attach the tube to the sweeper, line up the tube with the sweeper housing as shown in Figure A.
- ◆ Push the tube into the sweeper housing until the lock button (4) engages the lock hole (5) in the tube.

## To install battery pack

- ◆ Insert battery pack into tool until an audible click is heard as shown in Figure B. Make sure battery pack is fully seated and fully latched into position.

## To remove battery pack

- ◆ Depress the battery release button (6) in the back of the battery pack and pull battery pack out of tool assembly as shown in Figure C.

## Operation

**Warning!** Always wear safety glasses. Wear a filter mask if the operation is dusty. Use of gloves, long pants and substantial footwear is recommended. Keep long hair and loose clothing away from openings and moving parts. THIS SWEEPER IS FOR HOUSEHOLD USE ONLY.

- ◆ Hold the sweeper with one hand as shown in Figure D and sweep from side to side with the nozzle several inches above the ground. Slowly advance keeping the accumulated pile of debris in front of you.

## Switching on and off

**Warning!** Use both hands to grip the product firmly when switching on.

**Warning!** Do not point unit discharge at self or bystanders.

- ◆ To switch the sweeper on, slide the on/off switch forward as shown in Figure E.
- ◆ To switch the sweeper off, slide the on/off switch back as shown in Figure F.

## POWERCOMMAND feature

The POWERCOMMAND feature (3) is located on the GWC1820PC tool handle as shown in Figure G. It allows you to optimise the tools performance and boost the power as needed.

- ◆ Switch the blower on.
- ◆ To activate the "Boost" mode, press and hold the POWERCOMMAND button down.
- ◆ To deactivate the "Boost" mode, release the POWERCOMMAND button.
- ◆ Operate in "Normal" mode for most sweeping needs. (Longer runtime will be achieved.)
- ◆ Activate "Boost" mode as needed to clear heavy or wet debris.



## Troubleshooting

Problem	Possible cause	Possible solution
Unit will not start.	Battery not installed properly.	Check battery installation.
	Battery not charged.	Check battery charging requirements.
Battery will not charge.	Battery not inserted into charger.	Insert battery into charger until green LED appears.
	Charger not plugged in.	Plug charger into a working outlet. Refer to "Important Charging Notes" for more details.
		Check current at receptacle by plugging in a lamp or other appliance.
		Check to see if receptacle is connected to a light switch which turns power off when you turn out the lights.
Surrounding air temperature too hot or too cold.	Move charger and tool to a surrounding air temperature of above 40 degree F (4.5°C) or below 105 degree F (+40.5°C).	

## Service Information

BLACK+DECKER offers a full network of company-owned and authorized service locations throughout Asia. All BLACK+DECKER Service Centers are staffed with trained personnel to provide customers with efficient and reliable product service.

Whether you need technical advice, repair, or genuine factory replacement parts, contact the BLACK+DECKER location nearest to you.

### Note

- ◆ BLACK+DECKER's policy is one of continuous improvement to our products and, as such, we reserve the right to change product specifications without prior notice.
- ◆ Standard equipment and accessories may vary by country.
- ◆ Product specifications may differ by country.

## Protecting the environment



Separate collection. Products and batteries marked with this symbol must not be disposed of with normal household waste.

Products and batteries contain materials that can be recovered or recycled reducing the demand for raw materials. Please recycle electrical products and batteries according to local provisions.

## Batteries



At the end of their useful life, discard batteries with due care for our environment:

- ◆ Run the battery down completely, then remove it from the tool.
- ◆ NiCd, NiMH and Li-Ion batteries are recyclable. Place the battery(s) in a suitable packaging to ensure that the terminals cannot be short-circuited. Take them to any authorised repair agent or a local recycling station.
- ◆ Do not short-circuit the battery terminals.
- ◆ Do not dispose of the battery(s) in a fire as this may result in a risk of personal injury or an Explosion.

## GWC1820PC 鋸電吹風槍

### 技術資料

GWC1820PC		
電壓	V <sub>ac</sub>	18V (20V Max)
空載轉速	/min	10,000 - 12,500
重量 (不含電池)	kg	1.5

LBXR2020		
電壓	V <sub>ac</sub>	18V (20V Max)
容量	Ah	2.0
類型	Li-Ion	
充電器	mA	2000

### 設計用途

20V Max 為最大初始電池電壓 (無負載電壓), 標稱電壓為 18V。

您的BLACK+DECKER GWC1820PC 吹風槍被設計用於清掃落葉。本工具僅供一般消費者DIY家庭使用, 營業性使用者不適用百得一年保修條款。

### 安全說明

**警告!** 在使用電源供電/無繩電器時, 務必遵守包括以下內容在內的基本安全防範措施, 降低發生火災、觸電、人身傷害和材料損壞的風險。

- ◆ 在操作該設備前, 請認真閱讀該說明手冊。
- ◆ 該說明書介紹了這款工具的目的用途。為該工具使用非本說明手冊建議的任何配附件, 或將該工具用於非本說明手冊建議的任何操作, 均存在造成人身傷害和/或財產損壞的風險。
- ◆ 請妥善保管該手冊, 以備將來使用。

### 使用您的設備

在使用該設備時, 請務必多加小心。

- ◆ 務必佩戴安全眼鏡或護目鏡。
- ◆ 不得允許兒童或不熟悉該設備使用說明的人員使用該設備。
- ◆ 請勿允許兒童或動物靠近工作區域, 或接觸該設備或電源線。
- ◆ 若在靠近兒童的區域使用該設備, 必須進行密切監督。
- ◆ 在沒有他人監督的情況下, 兒童或體弱者不適宜使用本工具。
- ◆ 不可將該設備當做玩具玩耍。
- ◆ 僅在白天使用該設備, 或僅在照明充足的情況下使用該設備。
- ◆ 僅在乾燥處使用該設備。請勿讓設備變得潮濕。
- ◆ 請避免在惡劣天氣, 尤其是可能出現閃電的天氣,

使用該設備。

- ◆ 請勿將該設備浸沒在水中。
- ◆ 請勿擅自打開該設備的外殼。設備內部沒有可由用戶自行維修的部件。
- ◆ 請勿在易爆環境, 如有易燃液體、氣體或粉塵的環境中操作該設備。
- ◆ 該設備只可與隨附電源裝置一同使用。

### 其他風險

使用工具時, 可能會出現隨附安全警告中未能納入的額外風險。

誤用、長時間使用工具等因素會導致這些風險。

即使執行了相關安全規定並採用安全設備, 仍有一些無法避免的其他風險。此類風險包括:

- ◆ 觸碰任何轉動部件而導致的傷害。
- ◆ 在更換任何部件、刀頭或配件時造成的傷害。
- ◆ 因長時間使用工具而引起的傷害。若長時間使用工具, 請確保定時休息。
- ◆ 聽力受損。
- ◆ 使用工具時, 吸入由此產生的粉塵 (例如: 加工木材, 尤其是橡木、櫟木和MDF)。

### 使用結束

- ◆ 當不使用該設備時, 應將其存放在兒童接觸不到且通風良好的乾燥處。
- ◆ 應避免讓兒童接觸到存放的設備。
- ◆ 若將設備存放在車輛中, 或用車輛運輸設備時, 應將其放置在行李箱中或加以固定, 防止行駛途中由於突然轉向或變速而導致設備發生移動。

### 檢查和維修

- ◆ 在使用前, 請先檢查設備上有哪些部件已經更換或存在故障。  
請檢查設備上的故障部件或可能影響操作的任何其他情況。
- ◆ 如果部件損壞, 或存在故障, 請勿使用該設備。
- ◆ 請讓授權維修機構維修或更換任何損壞或存在故障的部件。
- ◆ 除該手冊中規定的物件外, 不得試圖拆除或更換任何部件。

### 額外安全說明

電動工具之修理, 僅可由認證的技術人員執行。請勿交由非百得認證服務中心的技術人員進行修理、維護、調整。若產品經由非百得認證的維修工程師拆解、組裝、調整, 恕無法適用百得一年家用保修條款。為充分發揮其功能, 修理、維護、調整請務必使用原廠零件。百得認證服務中心擁有保修條款解釋權。

該說明書介紹了這款工具的目的用途。為該工具使用非本說明手冊建議的任何配件, 或將該工具用於非本說明手冊建議的任何操作, 均存在造成人身傷害和/或財產損壞的風險。

- ◆ 操作設備時請務必穿戴重型工作靴和長褲，以保護身體。
- ◆ 務必先關閉產品，等待扇葉停止轉動並取下電池，再進行以下操作：
  - ◆ 離開設備，使其處於無人看管的狀態；
  - ◆ 疏通堵塞；
  - ◆ 檢查、調整、清潔或研究您的產品。
  - ◆ 如果設備出現異常震動。
- ◆ 在操作設備時，請勿將進氣口和排氣口靠近眼睛、耳朵。不得向旁觀者所在方向吹掃碎屑。
- ◆ 請勿在雨中使用該設備，或在雨天將其留在戶外。
- ◆ 請勿在打開設備後穿越碎石小路或道路。請步行，不得奔跑。
- ◆ 請勿將已經打開的設備置於碎石上。
- ◆ 務必確保自己站在合適位置，尤其是在斜坡上。請勿讓身體過分伸展並始終保持平衡。
- ◆ 請勿將任何物件放入設備開口中。如果開口阻塞，請勿使用該設備——請避免讓毛髮、絨毛、灰塵和任何可能減少氣流的物體進入開口中。

**警告!** 請務必按照本手冊的說明使用該設備。應採用直立模式使用該產品，若以任何其他方式使用，可能會導致受傷。請勿在設備處於側放或倒放狀態時運行設備。

- ◆ 操作人員或用戶應對使用該設備而造成他人受傷或損壞他人財產的事故負責。
- ◆ 請勿使用溶劑或清潔液來清潔該設備。請使用鈍化的刮刀來清除附著在設備上的草和污垢。
- ◆ 可通過BLACK+DECKER維修機構獲取更換扇葉。請使用BLACK+DECKER建議的備件和配件。
- ◆ 請保持所有螺母和螺釘緊固，使得該設備能夠安全運行。

## 他人的安全

- ◆ 在瞭解使用中存在的風險，且一旁有能為他們的安全負責並指導工具使用的人員監督的情況下，該設備適合8歲及以上兒童，以及體力、感官或智力不足以及缺乏經驗、知識或技能的人員使用。。兒童不應將該設備當做玩具來玩。不應在沒有監督的情況下，讓兒童進行清潔和用戶維護工作。
- ◆ 應看管好兒童，確保他們不會將此設備當做玩具來玩。

## 電池和充電器之附加安全指示

### 電池

- ◆ 無論何種原因，均不得嘗試打開電池。
- ◆ 請勿將電池暴露在水中。
- ◆ 將電池存放在溫度可能超過 40 °C 的地方。
- ◆ 僅在環境溫度介於 10°C 和 40°C 之間的情況下充電。
- ◆ 僅用隨工具一同提供的充電器充電。
- ◆ 處理電池時，請遵循“保護環境”中的指示。

## 充電器

1. 在電池用完電量後，建議馬上充電，鋰電池請勿過度放電，電力過度耗竭會導致鋰電池損壞。
2. 請將電池從機身卸下分開存放，若長時間未使用電池(1年以上)，請每6個月為電池充電一次，以確保電池壽命。
3. 當主機突然停止動作，或無法輕鬆完成以往的作業量時，請馬上充電。
  - ◆ 請使用您的BLACK+DECKER充電器為隨工具一同提供的電池充電。其它電池可能會引起爆裂，並導致人身傷害和損壞。
  - ◆ 不得試圖為不可充電的電池充電。
  - ◆ 應立即更換受損電線。
  - ◆ 請勿讓充電器接觸到水。
  - ◆ 請勿拆開充電器。
  - ◆ 請勿戳刺充電器。



本工具僅供室內使用。



請在使用前請閱讀使用手冊。

## 電氣安全



您的工具是雙層絕緣；因此無需接電線。請務必檢查電源電壓是否與銘牌上的電壓一致。不得嘗試用常規電源插頭替換充電器單元。

- ◆ 如電線損壞，必須由產商或授權BLACK+DECKER服務中心負責更換，避免出現危險。

## 設備上的標籤

設備上會有以下警告符號以及日期碼：



在操作前，請先閱讀該手冊。



在操作該設備時，請佩戴安全眼鏡或護目鏡。



在操作該設備時，請佩戴合適的耳罩。



請先取出電池，再進行任何清潔或維護。



請留心飛濺的物體。請讓旁觀者遠離切割區。



不得將電動工具暴露在雨中或潮濕環境中。

## 功能部件

該設備包括部分或全部以下功能。

1. 開關
2. 噴嘴
3. 電源指令鍵

## 噴嘴安裝

**注意：**在連接或拆除吹風槍前，請確保吹風槍已關閉且已取下噴嘴。使用前，必須將噴嘴安裝到外殼上。

- ◆ 如需將噴嘴連接到吹風槍上，請將噴嘴與吹風槍殼體對齊，如圖A所示。
- ◆ 將噴嘴推入吹風槍外殼，直到鎖定按鈕 (4) 與噴嘴中的鎖定孔 (5) 接合。

## 如需安裝電池組

- ◆ 將電池組放入工具，直至聽見啞聲為止，如圖B所示。確保電池組已牢固安裝並鎖定到位。

## 如需拆除電池組

- ◆ 按下電池組背面的電池釋放按鈕 (6)，將電池組從工具組件中拉出，如圖C所示。

## 操作

**警告！**務必佩戴安全眼鏡。若操作時會產生大量粉塵，請佩戴過濾面罩。推薦佩戴手套，穿長褲和厚實的鞋子。請讓長頭髮和寬鬆衣物遠離轉動部件。該吹風槍僅供居家使用。

- ◆ 如圖D所示，一手握住吹風槍並與地面保持數英尺的距離，來回吹掃。請緩慢前進，讓堆積的碎屑保持在您的前方。

## 開啟和關閉

**警告！**開啟設備時，請雙手握緊設備。

**警告！**請勿將設備指向自己或旁觀者。

- ◆ 如需開啟清掃器，請向前推動開關，如圖E所示。
- ◆ 如需關閉清掃器，請向後推動開關，如圖F所示。

## POWERCOMMAND特色功能

POWERCOMMAND特色功能 (3) 位於GWC1820PC工具柄上，如圖G所示。該功能可讓您根據需要優化工具性能，提升功率。

- ◆ 開啟吹風槍。
- ◆ 如需啟用“強化”模式，請按壓POWERCOMMAND按鈕。
- ◆ 如需禁用“強化”模式，請鬆開POWERCOMMAND按鈕。
- ◆ “普通”模式可滿足大多數清掃需求。(運行時間更長)。
- ◆ “強化”模式，清理厚重或潮濕的碎屑。

## 問題解決

問題	可能原因	可能解決方案
設備無法啟動。	電池安裝不當。	請檢查電池安裝情況。
	電池未充電。	請查看電池的充電要求。
電池無法充電。	電池未插入充電器。	將電池插入充電器，直到綠燈亮起。
	充電器未通電。	將充電器插入能夠正常工作的插座中請參考“重要充電提示”，了解更多細節。
		將插頭插入燈或其他設備，檢查插座是否有電流。
周圍空氣溫度過高或過低。	將充電器和工具移動到周圍溫度高於40F (4.5°C) 或低於105F (+40.5°C) 的環境中。	

## 保護環境



分類回收。帶有此標誌的產品和電池必須與一般家庭廢物分開處置。

產品和電池包含可重複使用或回收的材料，可降低對原材料的需求。請根據當地法規回收電氣產品和電池。

## 電池



當電池達到技術壽命的終點時，請在丟棄時務必多加小心，注意保護環境：

- ◆ 請先耗盡電池電量，然後將其從工具上拆下。
- ◆ 鎳鎘、鎳氫與鋰電池是可回收的。請將電池置於合適包裝中，確保電池兩極不會短路。將它們送至授權維修機構或當地的回收站。
- ◆ 請勿讓電池兩極短路。
- ◆ 請勿將電池丟棄與明火中。這存在人身傷害或爆炸的風險。

## 服務資訊

BLACK+DECKER提供完整的公司隸屬和授權的維修點網絡。所有BLACK+DECKER服務中心均配有訓練有素的人員，能夠為顧客提供高效、可靠的產品服務。

無論您需要技術建議、微球、或原廠更換配件，請聯繫距離您最近的BLACK+DECKER。

## 注意

- ◆ BLACK+DECKER的政策是不斷改進產品，因此，我們保留改變產品規格的權利，恕不事先通知。
- ◆ 不同國家，標準設備和配件也會有所不同。
- ◆ 不同國家，產品規格也會有所不同。

經銷商: 特力股份有限公司

地址: 台北市內湖區新湖三路 23 號 1.2.5 樓

電話: 0800-008-007

進口/委製廠商: 新加坡商百得電動工具(股)公司台灣分公司

地址: 台北市士林區德行西路 33 號 2 樓

電話: 02-2834-1741





