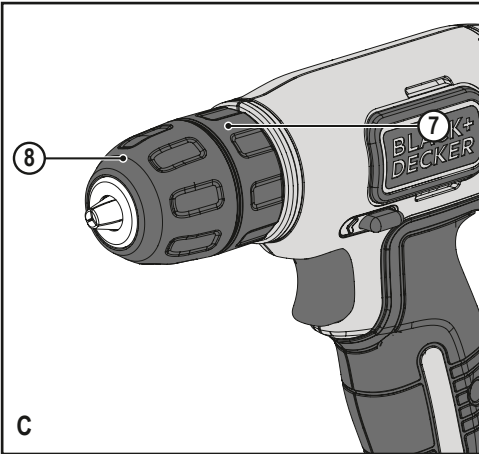
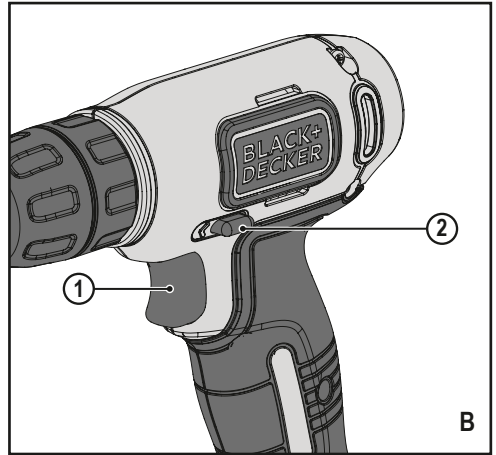
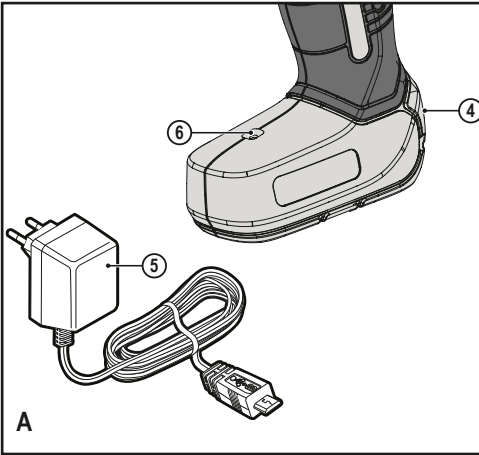


www.blackanddecker.com

**BDCD8**

English	3
繁體中文	8
Bahasa Indonesia	13
ภาษาไทย	20



# BDCD8 DRILL

## Technical data

		BDCD8
Voltage	$V_{DC}$	7.2
No-load speed	$\text{Min}^{-1}$	400
Max. torque	Nm	8/12
Chuck capacity	mm	1-10
<b>Max Drilling capacity</b>		
wood	mm	20
Weight	kg	0.62
<b>Charger</b>		
Input voltage	$V_{AC}$	100-240
Output voltage	$V_{DC}$	5
Current	mA	600
Approx. charge time	Hours	8
<b>Battery</b>		
Voltage	$V_{AC}$	7.2
Capacity	Ah	1.5
Type		Li-Ion

## Intended use

Your BLACK+DECKER BDCD8 - Drill, has been designed for screwdriving applications and for drilling in wood, metal and plastics. This tool is intended for consumer use only.

## Safety instructions

### General power tool safety warnings



**Warning!** Read all safety warnings and all instructions. Failure to follow the warnings and instructions listed below may result in electric shock, fire and/or serious injury.

### Save all warnings and instructions for future reference.

The term "power tool" in all of the warnings listed below refers to your mains operated (corded) power tool or battery operated (cordless) power tool.

1. **Work area safety**
  - a. **Keep work area clean and well lit.** Cluttered or dark areas invite accidents.
  - b. **Do not operate power tools in explosive atmospheres,** such as in the presence of flammable liquids, gases or dust. Power tools create sparks which may ignite the dust or fumes.
  - c. **Keep children and bystanders away while operating a power tool.** Distractions can cause you to lose control.
2. **Electrical safety**
  - a. **Power tool plugs must match the outlet. Never modify the plug in any way. Do not use any adapter plugs with earthed (grounded) power tools.** Unmodified plugs and matching outlets will reduce risk of electric shock.
  - b. **Avoid body contact with earthed or grounded surfaces such as pipes, radiators, ranges and refrigerators.** There is an increased risk of electric shock if your body is earthed or grounded.
  - c. **Do not expose power tools to rain or wet conditions.** Water entering a power tool will increase the risk of electric shock.
  - d. **Do not abuse the cord. Never use the cord for carrying, pulling or unplugging the power tool. Keep cord away from heat, oil, sharp edges or moving parts.** Damaged or entangled cords increase the risk of electric shock.
  - e. **When operating a power tool outdoors, use an extension cord suitable for outdoor use.** Use of a cord suitable for outdoor use reduces the risk of electric shock.
  - f. **If operating a power tool in a damp location is unavoidable, use a residual current device (RCD) protected supply.** Use of an RCD reduces the risk of electric shock.
3. **Personal safety**
  - a. **Stay alert, watch what you are doing and use common sense when operating a power tool. Do not use a power tool while you are tired or under the influence of drugs, alcohol or medication.** A moment of inattention while operating power tools may result in serious personal injury.
  - b. **Use personal protective equipment. Always wear eye protection.** Protective equipment such as dust mask, non-skid safety shoes, hard hat, or hearing protection used for appropriate conditions will reduce personal injuries.
  - c. **Prevent unintentional starting. Ensure the switch is in the off-position before connecting to power source and/or battery pack, picking up or carrying the tool.** Carrying power tools with your finger on the switch or energising power tools that have the switch on invites accidents.

- d. **Remove any adjusting key or wrench before turning the power tool on.** A wrench or a key left attached to a rotating part of the power tool may result in personal injury.
  - e. **Do not overreach. Keep proper footing and balance at all times.** This enables better control of the power tool in unexpected situations.
  - f. **Dress properly. Do not wear loose clothing or jewellery. Keep your hair, clothing and gloves away from moving parts.** Loose clothes, jewellery or long hair can be caught in moving parts.
  - g. **If devices are provided for the connection of dust extraction and collection facilities, ensure these are connected and properly used.** Use of dust collection can reduce dust-related hazards.
- 4. Power tool use and care**
- a. **Do not force the power tool. Use the correct power tool for your application.** The correct power tool will do the job better and safer at the rate for which it was designed.
  - b. **Do not use the power tool if the switch does not turn it on and off.** Any power tool that cannot be controlled with the switch is dangerous and must be repaired.
  - c. **Disconnect the plug from the power source and/or the battery pack from the power tool before making any adjustments, changing accessories, or storing power tools.** Such preventive safety measures reduce the risk of starting the power tool accidentally.
  - d. **Store idle power tools out of the reach of children and do not allow persons unfamiliar with the power tool or these instructions to operate the power tool.** Power tools are dangerous in the hands of untrained users.
  - e. **Maintain power tools. Check for misalignment or binding of moving parts, breakage of parts and any other condition that may affect the power tools operation. If damaged, have the power tool repaired before use.** Many accidents are caused by poorly maintained power tools.
  - f. **Keep cutting tools sharp and clean.** Properly maintained cutting tools with sharp cutting edges are less likely to bind and are easier to control.
  - g. **Use the power tool, accessories and tool bits etc. in accordance with these instructions, taking into account the working conditions and the work to be performed.** Use of the power tool for operations different from those intended could result in a hazardous situation.
- 5. Battery tool use and care**
- a. **Recharge only with the charger specified by the manufacturer.** A charger that is suitable for one type of battery pack may create a risk of fire when used with another battery pack.
  - b. **Use power tools only with specifically designated battery packs.** Use of any other battery packs may create a risk of injury and fire.
  - c. **When battery pack is not in use, keep it away from other metal objects, like paper clips, coins, keys, nails, screws, or other small metal objects, that can make a connection from one terminal to another.** Shorting the battery terminals together may cause burns or a fire.
  - d. **Under abusive conditions, liquid may be ejected from the battery; avoid contact. If contact accidentally occurs, flush with water. If liquid contacts eyes, additionally seek medical help.** Liquid ejected from the battery may cause irritation or burns.
- 6. Service**
- a. **Have your power tool serviced by a qualified repair person using only identical replacement parts.** This will ensure that the safety of the power tool is maintained.

**Additional power tool safety warnings**



**Warning!** Additional safety warnings for drills

- ◆ **Use auxiliary handles supplied with the tool.** Loss of control can cause personal injury.
- ◆ **Hold power tool by insulated gripping surfaces when performing an operation where the cutting accessory may contact hidden wiring.** Cutting accessory contacting a "live" wire may make exposed metal parts of the power tool "live" and could give the operator an electric shock.
- ◆ **Hold power tool by insulated gripping surfaces, when performing an operation where the fastener may contact hidden wiring.** Fasteners contacting a "live" wire may make exposed metal parts of the power tool "live" and could give the operator an electric shock.
- ◆ **Use clamps or another practical way to secure and support the workpiece to a stable platform.** Holding the work by hand or against your body leaves it unstable and may lead to loss of control.
- ◆ Before drilling into walls, floors or ceilings, check for the location of wiring and pipes.
- ◆ Avoid touching the tip of a drill bit just after drilling, as it may be hot.
- ◆ The intended use is described in this instruction manual. The use of any accessory or attachment or performance of any operation with this tool other than those recommended in this instruction manual may present a risk of personal injury and/or damage to property.

## Safety of others

- ◆ This tool is not intended for use by persons (including children) with reduced physical, sensory or mental capabilities, or lack of experience and knowledge, unless they have been given supervision or instruction concerning use of the tool by a person responsible for their safety.
- ◆ Children should be supervised to ensure that they do not play with the appliance.

## Residual risks

Additional residual risks may arise when using the tool which may not be included in the enclosed safety warnings. These risks can arise from misuse, prolonged use etc.

Even with the application of the relevant safety regulations and the implementation of safety devices, certain residual risks can not be avoided. These include:

- ◆ Injuries caused by touching any rotating/moving parts.
- ◆ Injuries caused when changing any parts, blades or accessories.
- ◆ Injuries caused by prolonged use of a tool. When using any tool for prolonged periods ensure you take regular breaks.
- ◆ Impairment of hearing.
- ◆ Health hazards caused by breathing dust developed when using your tool (example:- working with wood, especially oak, beech and MDF).

## Labels on tool

The following symbols are shown on the tool along with the date code:



**Warning!** To reduce the risk of injury, the user must read the instruction manual.

## Additional safety instructions for batteries and chargers

### Batteries

- ◆ Never attempt to open for any reason.
- ◆ Do not expose the battery to water.
- ◆ Do not store in locations where the temperature may exceed 40 °C.
- ◆ Charge only at ambient temperatures between 10 °C and 40 °C.
- ◆ Charge only using the charger provided with the tool.
- ◆ When disposing of batteries, follow the instructions given in the section "Protecting the environment".



Do not attempt to charge damaged batteries.

## Chargers

- ◆ Use your BLACK+DECKER charger only to charge the battery in the tool with which it was supplied. Other batteries could burst, causing personal injury and damage.
- ◆ Never attempt to charge non-rechargeable batteries.
- ◆ Have defective cords replaced immediately.
- ◆ Do not expose the charger to water.
- ◆ Do not open the charger.
- ◆ Do not probe the charger.



The charger is intended for indoor use only.



Read the instruction manual before use.

## Electrical safety



Your charger is double insulated; therefore no earth wire is required. Always check that the mains voltage corresponds to the voltage on the rating plate. Never attempt to replace the charger unit with a regular mains plug.

- ◆ If the supply cord is damaged, it must be replaced by the manufacturer or an authorised BLACK+DECKER Service Centre in order to avoid a hazard.

## Features

This tool includes some or all of the following features.

1. Switch
2. Forward/reverse slider
3. Keyless chuck
4. USB charging port
5. USB charger
6. Charging indicator

## Assembly

### Use

**Warning!** Let the tool work at its own pace. Do not overload.

### Charging the battery (fig. A)

The battery needs to be charged before first use and whenever it fails to produce sufficient power on jobs that were easily done before. The battery may become warm while charging; this is normal and does not indicate a problem.

**Warning!** Do not charge the battery at ambient temperatures below 10 °C or above 40 °C. Recommended charging temperature: approx. 24 °C.

**Note:** The charger will not charge a battery if the cell temperature is below approximately 10 °C or above 40 °C. The battery should be left in the charger and the charger will begin to charge automatically when the cell temperature warms up or cools down.

- ◆ Plug the charger into any standard 230 Volts 50 Hz electrical outlet.

**Note:** Because this tool is equipped with a USB port, it can be charged through USB ports.

Ensure the cable (Micro USB) and port are USB compliant.

- ◆ Insert the charger plug (5) into the USB charging port (4) as shown in figure A. The charging indicator (6) will be lit, indicating that the battery inside the drill is being charged. When charging is completed the light (6) will turn off.
- ◆ Let the tool charge initially for 9 hours. After the initial charge, under normal usage, your tool should be fully charged in 8 to 9 hours.

**Warning!** Do not use tool while it is connected to the charger.

**Warning!** fire Hazard. When disconnecting the charger from the tool, be sure to unplug the charger from the outlet first, then disconnect the charger cord from the tool.

### Trigger switch & reversing button (fig. B)

- ◆ The drill is turned ON and OFF by pulling and releasing the trigger switch (1)
- ◆ A forward/reverse control button (2) determines the direction of the tool and also serves as a lock off button.
- ◆ To select forward rotation, release the trigger switch and depress the forward/reverse control button to the left.
- ◆ To select reverse, depress the forward/ reverse control button the opposite direction.
- ◆ To lock the tool, set the forward/reverse slider into the centre position.

**Note!** The center position of the control button locks the tool in the off position. When changing the position of the control button, be sure the trigger is released.

### Keyless chuck (fig. C)

**Warning!** Make certain the lock-off button is engaged to prevent switch actuation before installing or removing accessories.

To insert a drill bit or other accessory:

- ◆ Grasp the rear half of the chuck (7) with one hand and use your other hand to rotate the front half (8) in the counter-clockwise direction, as viewed from the chuck end.
- ◆ Insert the bit or other accessory fully into the chuck, and tighten securely by holding the rear half of the chuck and rotating the front portion in the clockwise direction as viewed from the chuck end.

**Warning!** Do not attempt to tighten drill bits (or any other accessory) by gripping the front part of the chuck and turning the tool on. Damage to the chuck and personal injury may occur when changing accessories.

### Drilling/screwdriving

- ◆ Select forward or reverse rotation using the forward/reverse slider (2).
- ◆ To switch the tool on, press the switch (1). The tool speed depends on how far you press the switch.
- ◆ To switch the tool off, release the switch.

### Hints for optimum use

#### Drilling

- ◆ Always apply a light pressure in a straight line with the drill bit.
- ◆ Just before the drill tip breaks through the other side of the workpiece, decrease pressure on the tool.
- ◆ Use a block of wood to back up workpieces that may splinter.
- ◆ Use spade bits when drilling large diameter holes in wood.
- ◆ Use HSS drill bits when drilling in metal.
- ◆ Use masonry bits when drilling in soft masonry.
- ◆ Use a lubricant when drilling metals other than cast iron and brass.
- ◆ Make an indentation using a centre punch at the centre of the hole to be drilled in order to improve accuracy.

#### Screwdriving

- ◆ Always use the correct type and size of screwdriver bit.
- ◆ If screws are difficult to tighten, try applying a small amount of washing liquid or soap as a lubricant.
- ◆ Always hold the tool and screwdriver bit in a straight line with the screw

### Troubleshooting

Problem	Possible cause	Possible solution
Unit will not start.	Battery pack not charged.	Check battery pack charging requirements
Battery pack will not charge.	Charger not plugged in.  Surrounding air temperature too hot or too cold.	Plug charger into a working outlet.  Move charger and battery pack to a surrounding air temperature of above 40 degrees F (45°C) or below 105 degrees F (+40.5°C)

## Maintenance

Your BLACK+DECKER tool has been designed to operate over a long period of time with a minimum of maintenance. Continuous satisfactory operation depends upon proper tool care and regular cleaning.

Your charger does not require any maintenance apart from regular cleaning.

**Warning!** Before performing any maintenance on the tool, unplug the charger before cleaning it.

- ◆ Regularly clean the ventilation slots in your tool and charger using a soft brush or dry cloth.
- ◆ Regularly clean the motor housing using a damp cloth. Do not use any abrasive or solvent-based cleaner.
- ◆ Regularly open the chuck and tap it to remove any dust from the interior.

## Protecting the environment



Separate collection. This product must not be disposed of with normal household waste.

Should you find one day that your BLACK+DECKER product needs replacement, or if it is of no further use to you, do not dispose of it with household waste. Make this product available for separate collection.



Separate collection of used products and packaging allows materials to be recycled and used again.

Re-use of recycled materials helps prevent environmental pollution and reduces the demand for raw materials.

Local regulations may provide for separate collection of electrical products from the household, at municipal waste sites or by the retailer when you purchase a new product.

BLACK+DECKER provides a facility for the collection and recycling of BLACK+DECKER products once they have reached the end of their working life. To take advantage of this service please return your product to any authorised repair agent who will collect them on our behalf.

You can check the location of your nearest authorised repair agent by contacting your local BLACK+DECKER office at the address indicated in this manual. Alternatively, a list of authorised BLACK+DECKER repair agents and full details of our after-sales service and contacts are available on the Internet at: [www.2helpU.com](http://www.2helpU.com)

## Batteries



There are no user serviceable parts inside.

- ◆ At the end of your products life return the whole unit to your service agent or to a local recycling station to have the battery recycled. Do not throw the unit out with household waste.

## Service Information

BLACK+DECKER offers a full network of company-owned and authorized service locations throughout Asia. All BLACK+DECKER Service Centers are staffed with trained personnel to provide customers with efficient and reliable product service.

Whether you need technical advice, repair, or genuine factory replacement parts, contact the BLACK+DECKER location nearest to you.

## Note

- ◆ BLACK+DECKER's policy is one of continuous improvement to our products and, as such, we reserve the right to change product specifications without prior notice.
- ◆ Standard equipment and accessories may vary by country.
- ◆ Product specifications may differ by country.
- ◆ Complete product range may not be available in all countries. Contact your local BLACK+DECKER dealers for range availability.

## BDCD8 電鑽

### 技術資料

BDCD8		
電壓	$V_{DC}$	7.2
空載轉速	$\text{Min}^{-1}$	400
最大扭矩	Nm	8/12
夾頭尺寸	mm	1-10
最大鑽孔效能		
木材	mm	20
重量	kg	0.62
充電器		
輸入電壓	$V_{AC}$	100-240
輸出電壓	$V_{DC}$	5
電流	mA	600
大約充電時間	小時	8
電池		
電壓	$V_{AC}$	7.2
容量	Ah	1.5
類型	鋰離子電池	

請注意! 各地區上市產品/配件不盡相同, 請依台灣繁體中文說明書的內容為主。

Warning! Attachments and accessories are not the same in each region, please only refer to Taiwan Traditional Chinese description in this manual.

### 設計用途

您的 BLACK+DECKER BDCD8 電鑽設計用於螺旋應用以及在木材、金屬及塑膠上鑽孔。本工具僅供一般 DIY 消費者家庭使用, 營業使用者不適用一年保修條款。

### 安全說明

#### 電動工具一般安全警告



**警告!** 請閱讀所有安全警告及使用指示。若不遵循以下所示警告及指示, 可能會導致觸電、火災及/或嚴重傷害。

請妥善保存所有警告及指示以備將來查閱。

以下所示所有警告中的術語「電動工具」係指由電源供電(插電式)或由電池供電(充電式)的電動工具。

#### 1. 工作場地安全

- 請保持工作場地清潔明亮。雜亂或黑暗的場地會引發事故。
- 請勿在易爆環境(例如存在易燃液體、氣體或粉塵的環境)中操作電動工具。電動工具產生的火花可能會引燃粉塵或煙霧。
- 操作電動工具時, 請遠離兒童與旁觀者。分心會導致您疏於控制。

#### 2. 電氣安全

- 電動工具插頭必須與插座相符。切勿以任何方式改裝插頭。請勿將接地的電動工具與任何配接器插頭搭配使用。使用未經改裝的插頭與相符的插座可降低觸電風險。
- 請避免人體接觸接地表面(例如管道、散熱片、爐灶及冰箱)。若您的身體接地, 會提高觸電的風險。
- 請勿將電動工具暴露在雨中或潮濕環境中。水進入電動工具會提高觸電風險。
- 請勿濫用電線。切勿使用電線來搬運、拉動電動工具或拔出插頭。請讓電線遠離熱、油、銳邊或活動部件。受損或纏繞的電線會提高觸電風險。
- 在室外操作電動工具時, 請使用適合室外使用的延長電纜。採用適合室外使用的電線可降低觸電危險。
- 若必須在潮濕環境中操作電動工具, 請使用受漏電保護器(RCD)保護的電源供應器。使用RCD可降低觸電風險。

#### 3. 人身安全

- 操作電動工具時, 請保持警覺、留意所執行的操作並運用常識。請勿在疲倦或在受到毒品、酒精或藥品的影響時使用電動工具。操作電動工具時, 一時的注意力分散可能會導致嚴重人身傷害。
- 請使用人身防護設備。始終佩戴護目裝置。防護設備(例如在適當條件下使用的防塵面具、防滑安全鞋、安全帽或聽力保護裝置)可減少人身傷害。
- 請避免意外啟動。在連接至電源及/或電池組、抬起或搬運工具之前, 請確保開關處於關閉位置。若搬運電動工具時將手指放在開關上, 或者在電動工具開關開啟時將插頭插入電源插座, 這兩種行為都會引發事故。
- 開啟電動工具之前, 請卸下所有調整鑰匙或扳手。電動工具旋轉部件上遺留的扳手或鑰匙可能會導致人身傷害。
- 請勿過度伸張雙手。時刻注意腳下與身體的平衡。如此可在意外情況下更好地控制電動工具。
- 穿著適當。請勿穿著寬鬆衣服或佩戴飾品。讓頭髮、衣服及手永遠遠離活動部件。寬鬆衣服、飾物或長髮可能會捲入活動部件中。



- g. 若為連接除塵與集塵設備而提供裝置，請確保妥善連接及正確使用。使用集塵設備可降低與粉塵有關的危險。

#### 4. 電動工具的使用與維護

- a. 請勿超負荷使用電動工具。請根據您的應用使用正確的電動工具。若使用的電動工具正確無誤，該工具能以設計額定值更有效、更安全地執行工作。
- b. 若開關無法開啟或關閉本電動工具，請勿使用。若開關無法控制電動工具，則電動工具存在危險，必須予以維修。
- c. 在執行任何調整、變更配件或存放電動工具之前，必須從電源上拔出插頭及/或卸下電動工具的電池組。此類防護性安全措施可降低電動工具意外啟動的風險。
- d. 請將閒置的電動工具存放在兒童無法接觸的地方，請勿讓不熟悉電動工具或這些指示的人員操作電動工具。未經訓練的使用者操作電動工具會發生危險。
- e. 維護電動工具。請檢查是否存在活動部件未對準或卡住、部件破損以及可能影響電動工具運作的其他任何狀況。若電動工具有損傷，請先維修，後使用。許多事故都因電動工具維護不善所導致。
- f. 請保持刀具鋒利清潔。妥善維護、刀刃鋒利的刀具卡住的可能性更低，更易於控制。
- g. 遵循使用指示以及工作條件和所要執行的工作使用電動工具、配件和工具刀頭等。若使用電動工具執行與設計用途不相符的操作，會導致危險。

#### 5. 電池工具的使用與注意事項

- a. 只能使用製造廠商指定的充電器為電池充電。使用僅適合一種電池組的充電器為其他類型的電池組充電會導致火災危險。
- b. 請使用原廠的電動工具電池組。使用其他非原廠的電池組會導致人身傷害和火災危險。
- c. 不使用電池組時，請將其遠離如迴紋針、硬幣、鑰匙、釘子、螺絲以及其他可連通電池兩極的金屬物品。將電池兩極短路會導致灼傷或火災。
- d. 濫用電池的情況下，液體會從電池中噴出；避免與液體接觸。若不慎接觸液體，請用清水沖洗。若液體噴濺到眼睛上，沖洗之後還要進行治療。從電池噴出的液體會刺激皮膚或造成灼傷。

#### 6. 維修

- a. 維修本電動工具時，必須由合格的維修人員執行，而且只能使用完全一致的更換件。請勿交由非百得認證服務中心的認證技術人員進行修理、維護、調整。若產品經由非百得認證的維修工程師拆解、組裝、調整，恕無法適用百得一年家用保修條款。為充份發揮其功能，修理、維護、調整請務必使用原廠零件。

## 電動工具的附加安全警告



### 警告！電鑽之附加安全警告

- 請使用工具隨附的輔助手柄。工具失控會導致人身傷害。
- 若在執行操作時切削配件可能會接觸隱藏的電線，請從絕緣手柄表面握住電動工具。若切削配件接觸到「帶電」導線，電動工具金屬部件表面就會「帶電」，從而導致操作人員觸電。
- 若在執行操作時扣件可能會接觸隱藏的電線，請從絕緣手柄表面握住電動工具。若扣件接觸到「帶電」導線，電動工具金屬部件表面就會「帶電」，從而導致操作人員觸電。
- 請使用夾具或其他可行方式，在穩定的平台上對工件進行固定及支撐。手持工件或用身體抵住工件會導致工件不穩定，可能會導致失去控制。
- 在牆上、地板和天花板上鑽孔之前，請檢查電線和鋼管位置。
- 不要在鑽孔後立刻碰觸可能還帶熱的鑽頭尖端。
- 設計用途已在本使用說明手冊中載明。若使用的配件或附件，或使用本工具執行的操作與本使用說明手冊中的建議不相符，可能會招致人身傷害及/或財損的風險。

## 他人的安全

- 生理、感覺或心理機能不健全的人員（包括兒童）或缺乏經驗及知識的人員，除非由負責其安全的人員提供有關使用此器具的監督或指示，否則不得使用本工具。
- 應對兒童進行監督，以確保其不會玩耍本器具。

## 殘餘風險

使用本工具時，可能會出現隨附安全警告中所不包括的其他殘餘風險。誤用、長時間使用工具等因素會導致這些風險。

即使遵循相關安全規定並採用安全裝置，仍然無法避免某些殘餘風險。此類風險包括：

- 接觸旋轉/活動部件引起的傷害。
- 更換任何部件、刀片或配件時引起的傷害。
- 長時間使用工具引起的傷害。長時間使用任何工具時，請確保定期休息。
- 聽力受損。
- 吸入使用工具時產生的塵埃引起的健康危害。（譬如：在木材上使用時，尤其是櫟木、山毛櫸和中密度纖維板（MDF））

## 工具上的標籤

本工具上具有以下圖示與日期代碼



警告！為了降低受傷的風險，使用者必須仔細閱讀使用手冊。

## 電池與充電器的附加安全指示

### 電池

- 不論是因為任何理由，都請勿嘗試打開電池。
- 請勿將電池暴露在水中。
- 不要將電池儲存在溫度可能超過 40 °C 的地方。
- 只在環境溫度介於 10 °C 和 40 °C 之間的情況下充電。
- 只能使用本工具隨附的充電器為電池充電。
- 處置電池時，請遵循「保護環境」一節所提供的指示。



切勿試圖為損毀的電池充電

### 充電器

- 只能使用工具隨附的 BLACK+DECKER 充電器為工具內的電池充電。其他非原廠電池可能會爆裂，導致人身傷害和損害。
- 切勿嘗試為非可充電電池充電。
- 立即更換損壞的電線。
- 請勿將充電器暴露在水中。
- 請勿打開充電器。
- 請勿刺破充電器。



本充電器僅供室內使用。



使用之前請閱讀使用手冊。

### 電氣安全



您的充電器採用雙重絕緣，因此不需要使用接地線。請務必檢查主電壓是否與銘牌一致。切勿嘗試使用一般的電源插頭取代充電器裝置。

- 若電源線損壞，必須送往製造廠商或授權的 BLACK+DECKER 服務中心更換以避免發生危險。

### 功能部件

本工具包括以下部分或全部功能部件。

1. 開關
2. 正/反轉開關
3. 快速夾頭
4. USB 充電埠
5. USB 充電器
6. 充電指示燈

## 裝配

### 使用

**警告！**請讓工具以自身之速度工作。請勿使它過載。

### 為電池充電（圖 A）

第一次使用電池之前，以及電池無法像從前一樣為作業輕鬆提供足夠的電量時，就需要充電。電池在充電時可能會變熱；這是正常現象，並不表示出現問題。

**警告！**請勿在環境溫度低於 10°C 或高於 40°C 的狀況下為電池充電。建議的充電溫度為大約 24°C。

**注意：若電池溫度低於約 10°C 或高於 40°C，充電器將不會為電池充電。電池應留在充電器中，電池溫度升高或降低後，充電器將自動開始充電。**

• 將充電器插頭插入標準的 110 伏 60 Hz 電源插座。  
**注意：**由於本工具配備有 USB 連接埠，因此可以透過 USB 連接埠充電。

請確保電源線 (Micro USB) 及連接埠都是 USB 相容項目。

- 將充電器插頭 (5) 插入 USB 充電埠 (4)，如圖 A 所示。充電指示燈 (6) 將亮起，表示電鑽內的電池正在充電。充電完成後，指示燈 (6) 將熄滅。
- 初次充電時，請將工具充電 9 小時。初次充電後，在正常使用狀況下，完整充電的時間應是 8 至 9 小時。

**警告！**請勿在工具連接至充電器時使用工具。

**警告！**有火災危險。中斷充電器與工具的連接時，請確保先從插座中拔出充電器插頭，然後再中斷充電器纜線與工具的連接。

在電池用完電量後，建議馬上充電，鋰電池請勿過度放電，電力過度耗竭會導致鋰電池損壞。若長時間未使用電池 (1 年以上)，請每 6 個月為電池充電一次，以確保電池壽命。

### 觸發開關與反轉按鈕（圖 B）

- 電鑽透過拉動與鬆開觸發開關 (1) 來開啟及關閉。
- 正/反轉控制按鈕 (2) 可決定工具的方向，同時具備鎖止功能。
- 若要選擇正轉，請鬆開觸發開關，然後向左側按下正/反轉控制按鈕。
- 若要選擇反轉，請向相反方向按下正/反轉控制按鈕。
- 若要鎖定工具，請將正/反轉開關撥到中間位置。

**注意！**當控制按鈕處於中心位置時，工具會被鎖定在關閉位置。要改變控制按鈕的位置時，請確保觸發器已經鬆開。

### 快速夾頭（圖 C）

**警告！**安裝或卸下附件之前，請確保開關已鎖定，以防止開關啟動。

若要插入鑽頭或其他附件：

- ◆ 以一隻手握住夾頭的後半部 (7)，使用另一隻手以逆時針方向 (從夾頭末端看來) 旋轉前半部 (8)。
- ◆ 將鑽頭或其他配件完全插入夾頭，握住夾頭後半部並以順時針方向 (從夾頭末端看來) 旋轉前半部，以將其扭緊。

**警告！** 不要嘗試透過握住夾頭前部並啟動工具來擰緊鑽頭 (或任何其它附件)。更換附件時可能會導致夾頭損壞和人身傷害。

### 鑽孔/螺旋操作

- ◆ 使用正/反轉開關 (2) 選擇正向或反向旋轉。
- ◆ 若要打開工具電源，請按下開關 (1)。工具轉速取決於您按下開關的程度。
- ◆ 若要關閉工具電源，請鬆開電源開關。

### 最佳使用提示

#### 鑽孔

- ◆ 始終以與鑽頭方向成一直線的方式施加輕微力度。
- ◆ 在鑽頭快要刺破工件的另一面時，降低施加到工具上的力度。
- ◆ 用木塊墊住可能會碎裂的工件。
- ◆ 在木材上進行大直徑鑽孔時，請使用扁鑽頭。
- ◆ 在金屬上鑽孔時，請使用 HSS 鑽頭。
- ◆ 在軟質磚石上鑽孔時，請使用磚石鑽頭。
- ◆ 在鑄鐵和黃銅材料以外的金屬上鑽孔時，請使用潤滑劑。
- ◆ 在要鑽開的洞孔中央使用中央沖孔來產生凹痕，這樣可改進準確度。

#### 螺旋操作

- ◆ 始終使用正確類型和尺寸的電鑽起子頭。
- ◆ 如果螺絲難以鎖緊，請嘗試用小量洗滌液或肥皂作為潤滑劑。
- ◆ 始終讓工具及電鑽起子頭與螺絲成一直線。

### 疑難排解

問題	可能的原因	可能的解決方案
設備不會啟動	電池組未充電	檢查電池組的充電需求
電池組無法充電	充電器未插電。 環境空氣溫度太高或太低。	將充電器插入工作插座。 將充電器與電池組移至空氣溫度高於 40°F (4.4°C) 或低於 105°F (+40.5°C) 的環境中。

### 維護

您的 BLACK+DECKER 工具採用卓越的設計，能夠長時間使用，並且只需最少的維護。

若要持續獲得滿意的操作效果，需進行正確的工具維護和定期的清潔。

您的充電器除了定期清潔之外，並不需要執行任何維護操作。

**警告！** 在工具上執行任何維護工作之前，請先拔出充電器的插頭。

- ◆ 請定期使用軟刷或乾布清潔工具和充電器內的通風槽。
- ◆ 請定期使用濕布清潔電動機外殼。請勿使用任何研磨性或基於溶劑的清潔劑。
- ◆ 請定期打開夾頭並輕敲以去除內部的任何塵埃。

### 保護環境



分開收集。本產品必須與一般家庭廢物分開處置。

若您發現您的 BLACK+DECKER 產品需要進行替換，或您已經不再需要使用這些產品，請不要將它們與家庭廢物一起處置。務必將本產品送往分類收集處。



透過分開收集用過的产品與包裝，可以實現材料的循環再生利用。  
重複使用回收的材料有助於防止環境污染，並降低對原材料的需求。

當地法規可能要求由市政廢物回收點，或由向您出售新產品的經銷商來提供將電子產品與家庭廢物分類收集的服務。

BLACK+DECKER 在其產品使用壽命結束時提供 BLACK+DECKER 產品收集和回收循環利用的便利。若要享受此項服務，請將產品送回至代表我們進行收集的任一授權維修代理商處。

您可以根據本手冊上所提供的地址與當地 BLACK+DECKER 辦事處聯絡，查詢離您最近的授權維修代理商所在位置。亦可瀏覽網站查詢 BLACK+DECKER 授權維修中心清單和售後服務及聯絡資料之詳細資訊，網址是：[www.2helpU.com](http://www.2helpU.com)

### 電池



裝置內不含使用者可檢修的部件。

- ◆ 產品使用壽命結束時，請將整個裝置送回維修代理處或當地的回收站，以回收電池。請勿將本裝置連同生活垃圾一起丟棄。

## 服務資訊

BLACK+DECKER 提供遍佈亞洲的公司隸屬及授權服務地點。所有的 BLACK+DECKER 服務中心都具有訓練有素的人員，為客戶提供高效、可靠的產品服務。

不論您需要的是技術建議、維修服務還是原廠正品替換零件，都可以聯絡距您最近的 BLACK+DECKER 服務地點。

## 註

- ◆ BLACK+DECKER 秉持不斷改善產品的原則，因此，我們保留隨時變更產品規格而不預先通知的權利。
- ◆ 標準設備及配件可能視國家/地區而有所不同。
- ◆ 產品規格可能視國家/地區而有所不同。
- ◆ 並非在所有的國家/地區都將提供完整的產品系列。如需各產品系列的供應情況，請聯絡您當地的 BLACK+DECKER 代理商。

經銷商: 特力股份有限公司

地址: 台北市內湖區新湖三路23號1.2.5樓

電話: 0800-552888

進口/委製廠商: 新加坡商百得電動工具(股)公司台灣分公司

地址: 台北市北投區裕民六路120號4樓

電話: 02-2820-1065

## BDCD8 BOR

### Data teknis

BDCD8		
Voltase	$V_{DC}$	7,2
Kecepatan tanpa beban	$Mnt^{-1}$	400
Torsi maksimum	Nm	8/12
Kapasitas gagang gerak	mm	1-10
Kapasitas bor maksimum		
kayu	mm	20
Berat	kg	0,62
Pengisi daya		
Voltase input	$V_{AC}$	100-240
Voltase output	$V_{DC}$	5
Bolak-Balik	mA	600
Kisaran waktu isi ulang daya	Jam	8
Baterai		
Voltase	$V_{AC}$	7,2
Kapasitas	Ah	1,5
Tipe		Li-Ion

### Tujuan penggunaan

Bor BLACK+DECKER BDCDD8 Anda dirancang untuk mengobeng dan untuk mengebor kayu, logam, dan plastik. Alat ini hanya ditujukan untuk penggunaan non-profesional.

### Petunjuk keselamatan

#### Peringatan umum untuk keselamatan perkakas listrik



**Peringatan!** Baca seluruh peringatan keselamatan dan seluruh petunjuk. Kegagalan mengikuti peringatan dan petunjuk yang tercantum di bawah ini dapat mengakibatkan sengatan listrik, kebakaran, dan/atau cedera berat.

Simpan semua peringatan dan petunjuk untuk referensi di masa mendatang. Istilah “perkakas listrik” dalam seluruh peringatan yang tercantum di bawah ini merujuk pada perkakas listrik bertenaga listrik (berkabel) atau perkakas listrik bertenaga baterai (nirkabel) Anda.

#### 1. Keselamatan area kerja

##### a. Jaga agar area kerja tetap bersih dan terang.

Area yang berantakan atau gelap berpotensi mengakibatkan kecelakaan.

##### b. Jangan mengoperasikan perkakas listrik ini di lingkungan yang mudah menimbulkan bahaya ledakan, seperti di tempat yang terdapat cairan, gas, atau debu yang mudah terbakar.

Perkakas listrik menimbulkan percikan api yang dapat menyulut debu atau uap.

##### c. Jauhkan anak-anak dan orang yang berada di sekitar, sewaktu mengoperasikan perkakas listrik.

Gangguan dapat menyebabkan Anda kehilangan kendali.

#### 2. Keselamatan kelistrikan

##### a. Steker perkakas listrik harus sesuai dengan soketnya. Jangan pernah memodifikasi steker dengan cara apa pun. Jangan gunakan steker adaptor apa pun dengan alat listrik yang dibumikan (grounded).

Steker yang tidak dimodifikasi dan stopkontak yang sesuai akan mengurangi risiko sengatan listrik.

##### b. Hindari kontak badan dengan permukaan yang dibumikan (grounded), seperti pipa, radiator, kompor, dan kulkas.

Risiko sengatan listrik dapat meningkat jika tubuh Anda bersentuhan dengan permukaan yang dibumikan.

##### c. Jangan sampai perkakas listrik ini terkena hujan atau terpapar ke kondisi yang basah.

Air yang masuk ke perkakas listrik akan meningkatkan risiko sengatan listrik.

##### d. Jangan menyalahgunakan kabel. Jangan sekali-kali menggunakan kabel untuk membawa, menarik, atau mencabut alat listrik. Jauhkan kabel dari panas, minyak, tepi tajam, atau komponen yang bergerak.

Kabel yang rusak atau terbelit meningkatkan risiko sengatan listrik.

##### e. Bila mengoperasikan perkakas listrik di luar ruangan, gunakan kabel sambungan yang sesuai untuk penggunaan di luar ruangan.

Menggunakan kabel yang sesuai untuk penggunaan di luar ruangan akan mengurangi risiko sengatan listrik.

##### f. Jika penggunaan perkakas listrik di lokasi yang lembap tidak dapat dihindari, gunakan

suplai yang terlindung oleh perangkat arus sisa (RCD). Penggunaan RCD akan mengurangi risiko sengatan listrik.

### 3. Keselamatan diri

**a. Tetap waspada, perhatikan apa yang Anda kerjakan dan gunakan akal sehat saat mengoperasikan perkakas listrik. Jangan mengoperasikan alat listrik bila Anda sedang lelah, atau berada di bawah pengaruh obat, alkohol, atau pengobatan.** Kelengahan sesaat saja saat mengoperasikan perkakas listrik dapat mengakibatkan cedera diri serius.

**b. Gunakan peralatan pelindung diri. Selalu kenakan alat pelindung mata.** Peralatan pelindung, seperti masker debu, sepatu keselamatan antiselip, helm proyek, atau pelindung telinga yang digunakan untuk kondisi yang sesuai akan mengurangi risiko cedera diri.

**c. Hindari menyalakan alat tanpa disengaja. Pastikan bahwa sakelar sudah dalam posisi mati sebelum menghubungkannya ke sumber listrik dan/atau baterai, mengambil, atau membawa alat.** Membawa perkakas listrik dengan jari Anda masih menempel pada tombol atau menghidupkan perkakas listrik yang tombolnya masih menyala akan berpotensi mengakibatkan kecelakaan.

**d. Lepaskan semua kunci setelan atau kunci pas sebelum menghidupkan perkakas listrik.** Kunci pas atau kunci yang dibiarkan terpasang pada komponen perkakas listrik yang berputar dapat mengakibatkan cedera diri.

**e. Jangan menjangkau melampaui batas. Selalu jaga pijakan dan keseimbangan yang baik.** Hal ini memungkinkan Anda untuk mengendalikan perkakas listrik secara lebih baik dalam situasi yang tidak terduga.

**f. Kenakan pakaian yang sesuai. Jangan mengenakan pakaian longgar atau perhiasan. Jauhkan rambut, pakaian dan sarung tangan dari komponen yang bergerak.** Pakaian yang longgar, perhiasan atau rambut panjang dapat tersangkut pada komponen yang bergerak.

**g. Jika disediakan perangkat untuk sambungan fasilitas pengeluaran dan pengumpulan debu, pastikan alat ini dihubungkan dan digunakan dengan sesuai.** Penggunaan alat pengumpul debu dapat mengurangi bahaya yang ditimbulkan oleh debu.

### 4. Penggunaan dan pemeliharaan alat listrik

**a. Jangan menggunakan perkakas listrik dengan paksa. Gunakan alat listrik yang**

**sesuai untuk aplikasi Anda.** Alat listrik yang tepat akan bekerja lebih baik dan aman pada tingkatan kerja yang telah dirancang untuk alat itu.

**b. Jangan gunakan perkakas listrik ini jika sakelar tidak dapat menghidupkan dan mematikan alat.** Perkakas listrik apa pun yang tidak dapat dikendalikan dengan tombol adalah berbahaya dan harus diperbaiki.

**c. Lepaskan stopkontak dari sumber listrik dan/atau baterai dari perkakas listrik sebelum melakukan penyetelan apa pun, mengganti aksesoris, atau menyimpan perkakas listrik.** Tindakan pencegahan untuk keselamatan seperti itu akan mengurangi risiko menyalakan alat listrik secara tidak disengaja.

**d. Simpan perkakas listrik yang tidak digunakan jauh dari jangkauan anak-anak, dan jangan membolehkan orang yang tidak memahami perkakas listrik atau petunjuk ini untuk mengoperasikannya.** Perkakas listrik dapat berbahaya bila digunakan oleh pengguna yang tidak terlatih.

**e. Rawat perkakas listrik. Lakukan pemeriksaan untuk mengetahui apakah ada komponen bergerak yang tidak sejajar atau bengkok, komponen yang patah, dan kondisi lainnya yang dapat memengaruhi pengoperasian perkakas listrik. Jika rusak, perbaiki alat listrik sebelum digunakan.** Banyak terjadi kecelakaan akibat perkakas listrik yang tidak terawat dengan baik.

**f. Jaga ketajaman dan kebersihan alat pemotong.** Alat pemotong yang terawat dengan baik dengan mata potong yang tajam akan kecil kemungkinannya untuk macet serta lebih mudah untuk dikendalikan.

**g. Gunakan perkakas listrik, aksesoris, mata bor, dsb, sesuai petunjuk ini, dengan memperhitungkan persyaratan kerja dan jenis pekerjaan yang harus dilakukan.** Penggunaan alat listrik untuk pengoperasian yang tidak sesuai dengan tujuan penggunaan dapat mengakibatkan situasi yang berbahaya.

### 5. Penggunaan dan pemeliharaan alat bertenaga baterai

**a. Isi ulang daya baterai hanya dengan pengisi daya yang ditetapkan oleh pabrik.** Pengisi daya yang cocok untuk satu tipe baterai dapat menimbulkan risiko kebakaran jika digunakan pada baterai lainnya.

**b. Gunakan alat hanya dengan baterai yang ditunjukkan secara khusus.** Penggunaan baterai



lainnya dapat menimbulkan risiko cedera dan kebakaran.

- c. Bila tidak dipakai, jauhkan baterai dari benda logam seperti klip penjepit kertas, koin, kunci, paku, sekrup, atau benda logam kecil lainnya yang dapat menimbulkan hubungan listrik dari satu terminal ke terminal lainnya.**

Menghubungkan kedua terminal baterai dengan kabel secara tidak semestinya dapat mengakibatkan luka bakar atau kebakaran.

- d. Pemakaian yang salah bisa menyebabkan keluarnya cairan dari baterai; hindari kontak. Jika tidak sengaja tersentuh, bilas dengan air. Jika cairan mengenai mata, carilah juga bantuan medis.** Cairan yang keluar dari baterai dapat menyebabkan iritasi atau luka bakar.

## 6. Servis

- a. Perkakas listrik sebaiknya diservis oleh teknisi yang berkualifikasi dan hanya menggunakan komponen pengganti yang persis sama.** Hal ini akan membuat keamanan perkakas listrik selalu terjaga.

## Peringatan tambahan untuk keamanan perkakas listrik



**Peringatan!** Peringatan keamanan tambahan untuk bor

- ♦ **Gunakan pegangan tambahan yang disertakan dengan alat ini.** Lepasnya kendali dapat menimbulkan cedera diri.
- ♦ **Pegang perkakas listrik pada permukaan pegangan berpenyekat saat melakukan pengoperasian di mana aksesoris pemotong dapat bersentuhan dengan kabel tersembunyi.** Aksesoris pemotong yang bersentuhan dengan kabel bertegangan listrik dapat mengalirkan arus listrik pada komponen logam perkakas listrik dan mengakibatkan sengatan listrik pada pengguna.
- ♦ **Pegang alat listrik pada permukaan pegangan berpenyekat saat melakukan pengoperasian di mana aksesoris pemotong dapat bersentuhan dengan kabel tersembunyi.** Alat penjepit yang bersentuhan dengan kabel bertegangan listrik dapat mengalirkan arus listrik pada komponen logam alat listrik dan mengakibatkan sengatan listrik pada pengguna.
- ♦ **Gunakan penjepit atau cara praktis lain untuk mengencangkan dan menyangga**

## benda kerja di permukaan yang stabil.

Memegang benda dengan tangan atau disandarkan pada tubuh Anda akan membuatnya tidak stabil dan dapat mengakibatkan hilangnya kendali.

- ♦ Sebelum mengebor tembok, lantai, atau langit-langit, periksa dulu penempatan kabel dan pipa.
- ♦ Hindari menyentuh ujung mata bor segera setelah mengebor, karena bisa jadi panas.
- ♦ Tujuan penggunaan dijelaskan dalam panduan pengguna ini. Menggunakan aksesoris atau peralatan tambahan, maupun mengoperasikan alat ini dengan cara yang tidak sesuai dengan yang disarankan dalam panduan pengguna ini dapat menimbulkan risiko cedera tubuh dan/atau kerusakan benda-benda milik pribadi.

## Keselamatan orang lain

- ♦ Alat ini tidak ditujukan untuk digunakan oleh orang (termasuk anak-anak) dengan keterbatasan kemampuan fisik, sensor, maupun mental, atau kurang pengalaman maupun pengetahuan, kecuali jika di bawah pengawasan atau menerima petunjuk tentang penggunaan peralatan oleh orang yang bertanggung jawab atas keselamatan mereka.
- ♦ Anak-anak harus diawasi untuk memastikan agar mereka tidak bermain-main dengan peralatan ini.

## Risiko-risiko lain

Risiko-risiko lain dapat timbul saat menggunakan alat, yang mungkin tidak tercantum dalam peringatan keselamatan yang disertakan. Risiko-risiko ini dapat diakibatkan oleh penyalahgunaan, penggunaan yang terlalu lama, dsb.

Sekalipun peraturan keselamatan terkait sudah diterapkan dan peralatan pengaman sudah digunakan, risiko-risiko lain tertentu tidak dapat dihindari. Ini meliputi:

- ♦ Cedera yang diakibatkan karena menyentuh komponen yang berputar/bergerak.
- ♦ Cedera yang terjadi saat mengganti komponen, pemotong, atau aksesoris.
- ♦ Cedera yang diakibatkan karena penggunaan alat untuk waktu lama. Jika menggunakan alat apa pun untuk waktu yang lama, pastikan Anda mengistirahatkannya secara berkala.
- ♦ Kerusakan indera pendengaran.
- ♦ Bahaya kesehatan yang disebabkan oleh menghirup debu yang ditimbulkan oleh penggunaan alat (contoh: mengampelas kayu, khususnya kayu oak, beech, dan MDF.)

## Label pada alat

Simbol berikut beserta kode tanggal ditampilkan pada peralatan:



**Peringatan!** Untuk mengurangi risiko cedera, pengguna harus membaca buku petunjuk.

## Petunjuk keselamatan tambahan untuk baterai dan pengisi daya

### Baterai

- ♦ Jangan pernah membuka baterai dengan maksud apa pun.
- ♦ Jangan paparkan baterai pada air.
- ♦ Jangan simpan di lokasi yang suhunya melebihi 40 °C.
- ♦ Lakukan pengisian daya hanya pada suhu lingkungan antara 10 °C hingga 40°C.
- ♦ Isi ulang daya hanya menggunakan pengisi daya yang disertakan bersama alat.
- ♦ Saat membuang baterai, ikuti petunjuk yang diberikan dalam bagian “Melindungi Lingkungan”.



Jangan pernah mengisi ulang daya baterai rusak.

### Pengisi daya

- ♦ Hanya gunakan pengisi daya BLACK+DECKER Anda yang telah disertakan untuk mengisi daya baterai dalam alat. Baterai lain dapat meledak, menyebabkan cedera diri dan kerusakan.
- ♦ Jangan pernah mengisi ulang daya baterai yang tidak dapat diisi ulang.
- ♦ Segera ganti kabel yang rusak.
- ♦ Jangan paparkan pengisi daya pada air.
- ♦ Jangan membuka pengisi daya.
- ♦ Jangan membongkar untuk memeriksa bagian dalam pengisi daya.



Pengisi daya ini hanya ditujukan untuk penggunaan di dalam ruangan.



Baca buku petunjuk sebelum penggunaan.

### Keselamatan kelistrikan



Pengisi daya ini berisolasi ganda; oleh sebab itu tidak perlu kabel arde (ground).

Selalu periksa apakah voltase listrik sudah sesuai dengan tegangan yang tercantum pada pelat spesifikasi. Jangan pernah mencoba untuk mengganti unit pengisi daya dengan steker listrik biasa.

- ♦ Jika rusak, kabel daya harus diganti oleh produsen atau Pusat Layanan BLACK+DECKER resmi guna menghindari terjadinya bahaya.

### Fitur-Fitur

Alat ini memiliki beberapa atau semua fitur berikut ini.

1. Sakelar
2. Penggeser maju/mundur
3. Gagang gerak tanpa tombol
4. Port pengisian daya USB
5. Pengisi daya USB
6. Indikator pengisian daya

### Perakitan

### Penggunaan

**Peringatan!** Biarkan alat bekerja sesuai kecepatannya. Jangan dibebani berlebihan.

### Mengisi ulang baterai (gambar A)

Baterai perlu diisi ulang sebelum penggunaan pertama dan setiap kali baterai tidak mampu menghasilkan daya yang memadai untuk mengerjakan pekerjaan yang sebelumnya mudah dilakukan. Baterai akan menghangat pada saat diisi ulang; ini wajar dan tidak menandakan adanya masalah.

**Peringatan!** Jangan isi daya baterai pada suhu sekitar di bawah 10°C atau di atas 40°C. Suhu pengisian daya yang disarankan: sekitar 24 °C.

**Catatan: Pengisi daya tidak akan mengisi ulang baterai jika suhu sel di bawah kurang lebih 10 °C atau di atas 40 °C.**

**Baterai harus dibiarkan dalam pengisi daya, dan pengisi daya akan mulai mengisi ulang daya secara otomatis bilamana suhu sel menghangat atau mendingin.**

- ♦ Colokkan pengisi daya ke stopkontak 230 Volt 50 Hz standar apa pun.

**Catatan:** Karena alat ini dilengkapi dengan port USB, maka alat ini dapat diisi dayanya melalui port USB.

Pastikan kabel (Micro USB) dan port sama-sama USB cocok.

- ♦ Masukkan steker pengisi daya (5) ke port pengisi daya USB (4) seperti yang ditunjukkan pada



gambar A. Indikator pengisian daya (6) akan menyala, yang menunjukkan bahwa baterai di dalam bor sedang diisi dayanya. Saat pengisian daya selesai, lampu (6) akan mati.

- ♦ Tunggu pengisian daya awal alat selama 9 jam. Setelah pengisian daya awal, dalam penggunaan normal, alat Anda seharusnya terisi penuh dayanya dalam waktu 8 sampai 9 jam.

**Peringatan!** Jangan jalankan alat sementara tersambung dengan pengisi daya.

**Peringatan!** Bahaya terbakar. Saat melepaskan pengisi daya dari alat, pastikan untuk mencabut pengisi daya dari stopkontak terlebih dahulu, kemudian cabut kabel pengisi daya dari alat.

### Sakelar pemacu & tombol pembalik (gambar D)

- ♦ Bor MATI dan MENYALA dengan menarik dan melepaskan sakelar pemacu (1).
- ♦ Tombol kendali maju/mundur (2) menentukan arah alat dan juga berfungsi sebagai tombol pengunci.
- ♦ Untuk memilih rotasi maju, lepaskan sakelar pemacu dan tekan tombol kendali maju/mundur ke kiri.
- ♦ Untuk memilih rotasi mundur, tekan tombol kendali maju/mundur ke arah berkebalikan.
- ♦ Untuk mengunci alat, setel penggeser maju/mundur ke posisi tengah.

**Catatan!** Posisi tengah tombol kendali mengunci alat dalam posisi mati. Saat mengubah posisi tombol kendali, pastikan bahwa pemacu sudah dilepaskan.

### Gagang gerak tanpa (gbr. C)

**Peringatan!** Pastikan tombol pengunci diaktifkan untuk mencegah aktuasi sakelar sebelum memasang atau melepas aksesoris.

Untuk memasukkan mata bor atau aksesoris lainnya:

- ♦ Pegang bagian belakang penjepit (7) dengan satu tangan dan gunakan tangan lainnya untuk memutar bagian depan(8) berlawanan dengan arah jarum jam, bila dilihat dari bagian belakang penjepit.
- ♦ Masukkan mata bor atau aksesoris lainnya sepenuhnya ke gagang gerak, lalu kencangkan dengan memegang setengah bagian belakang gagang gerak dan memutar bagian depannya searah jarum jam sebagaimana dilihat dari ujung gagang gerak.

**Peringatan!** Jangan pernah mengencangkan mata bor (atau aksesoris apa pun) dengan cara memegang

erat bagian depan gagang gerak dan menyalakan alat. Mengganti aksesoris dengan cara seperti ini dapat mengakibatkan kerusakan pada gagang gerak dan cedera diri.

### Mengebor/mengobeng

- ♦ Pilih rotasi maju atau mundur dengan menggunakan penggeser maju/mundur (2).
- ♦ Untuk menyalakan alat, tekan sakelar (1). Kecepatan alat tergantung pada seberapa jauh Anda menekan sakelar.
- ♦ Untuk mematikan alat, lepas sakelar.

### Petunjuk untuk penggunaan secara optimal

#### Mengebor

- ♦ Selalu gunakan tekanan ringan segaris dengan mata bor.
- ♦ Sesaat sebelum ujung mata bor menembus sisi lain benda kerja, kurangi tekanan pada alat.
- ♦ Gunakan sepotong kayu untuk mengalas benda yang dapat menyerpih.
- ♦ Gunakan mata bor yang berujung lebar saat mengebor lubang berdiameter besar pada kayu.
- ♦ Gunakan mata bor HSS saat mengebor logam.
- ♦ Gunakan mata bor batu saat mengebor dinding bata lunak.
- ♦ Gunakan pelumas saat mengebor logam di luar besi cor dan kuningan.
- ♦ Buatlah lekukan menggunakan pelubang tengah pada bagian tengah lubang yang akan dibor untuk mempertepat akurasi.

#### Mengobeng

- ♦ Selalu gunakan tipe dan ukuran mata obeng yang benar.
- ♦ Jika sekrup sulit dikencangkan, coba olesi sedikit cairan pencuci atau sabun cair untuk melumasinya.
- ♦ Selalu pegang alat dan mata obeng lurus dengan sekrup.

## Pemecahan masalah

Masalah	Kemungkinan penyebab	Penyelesaian yang mungkin
Unit tidak mau menyala.	Baterai tidak diisi daya.	Periksa persyaratan pengisian daya pada baterai
Baterai tidak mau terisi daya.	Baterai tidak dicolokkan.  Suhu udara sekitarnya terlalu panas atau terlalu dingin.	Colokkan pengisi daya ke stopkontak yang berfungsi.  Pindahkan alat pengisi daya dan baterai ke suhu udara lingkungan di atas 40 °F (45 °C) atau di bawah 105 °F (+40,5 °C).

## Pemeliharaan

Alat BLACK+DECKER Anda telah dirancang untuk beroperasi pada periode waktu yang lama dengan perawatan minimum. Pengoperasian yang memuaskan secara terus-menerus bergantung pada cara pemeliharaan yang benar dan pembersihan alat secara teratur.

Pengisi daya tidak membutuhkan perawatan lain di luar pembersihan berkala.

**Peringatan!** Sebelum melakukan perawatan apa pun pada alat, lepas pengisi daya sebelum membersihkannya.

- ◆ Bersihkan celah ventilasi pada alat dan pengisi daya secara teratur dengan menggunakan sikat lembut atau lap kering.
- ◆ Bersihkan kerangka mesin secara teratur menggunakan kain bersih yang lembap. Jangan gunakan bahan pembersih abrasif atau pembersih berbahan dasar larutan apa pun.
- ◆ Buka gagang secara berkala dan ketuk-ketuk untuk mengeluarkan debu dari bagian dalam alat.

## Melindungi lingkungan



Pengumpulan terpisah. Produk ini tidak boleh dibuang bersama limbah rumah tangga biasa.

Jika produk BLACK+DECKER Anda perlu diganti, atau tidak lagi digunakan, jangan buang bersama sampah rumah tangga. Pisahkan pembuangan produk ini.



Pengumpulan produk dan kemasan bekas secara terpisah memungkinkan material untuk didaur ulang dan digunakan lagi. Penggunaan kembali bahan yang didaur ulang membantu mencegah pencemaran lingkungan dan mengurangi permintaan kebutuhan bahan baku.

Undang-undang setempat mungkin memfasilitasi pengumpulan produk-produk kelistrikan terpisah dari sampah rumah tangga, di tempat pembuangan sampah kota atau oleh pedagang ritel pada saat Anda membeli produk baru.

BLACK+DECKER menyediakan fasilitas untuk pengumpulan dan pendaurulangan produk Black & Decker yang telah mencapai akhir masa pakainya. Untuk memanfaatkan layanan ini, harap kembalikan produk Anda kepada agen reparasi resmi yang akan mengumpulkannya atas nama kami.

Anda dapat menemukan lokasi agen reparasi resmi terdekat dengan Anda dengan menghubungi kantor BLACK+DECKER setempat Anda di alamat yang tercantum pada buku petunjuk ini. Cara lainnya, daftar agen perbaikan BLACK+DECKER resmi serta informasi terperinci layanan purnajual dan kontak kami tersedia di Internet di: [www.2helpU.com](http://www.2helpU.com)

## Baterai



Tidak ada komponen yang dapat diservis oleh pengguna di dalamnya.

- ◆ Pada akhir masa pakai produk Anda, kembalikanlah seluruh unit ke agen servis Anda atau stasiun daur ulang lokal untuk mendaur ulang baterai. Jangan buang unit bersama limbah rumah tangga.

## Informasi Servis

BLACK+DECKER menawarkan jaringan lengkap milik perusahaan dan lokasi servis resmi di seluruh Asia. Semua Pusat Servis BLACK+DECKER memiliki staf terlatih agar dapat memberikan layanan produk yang efisien dan andal kepada konsumen.

Bila Anda membutuhkan saran teknis, perbaikan, atau suku cadang pengganti asli pabrik, hubungi lokasi BLACK+DECKER terdekat.

## Perhatikan

- ◆ BLACK+DECKER memiliki kebijakan untuk terus meningkatkan produk dan karenanya, kami berhak mengubah spesifikasi produk tanpa pemberitahuan sebelumnya.
- ◆ Perlengkapan dan aksesori standar mungkin akan berbeda menurut negara.
- ◆ Spesifikasi produk mungkin akan berbeda menurut negara.
- ◆ Pilihan produk lengkap mungkin tidak tersedia di semua negara. Untuk mengetahui ketersediaan produk, hubungi dealer BLACK+DECKER setempat Anda.

## ส่วน BDCD8

### ข้อมูลทางเทคนิค

		BDCD8
แรงดันไฟฟ้า	$V_{DC}$	7.2
ความเร็วขณะไม่มีโหลด	$Min^{-1}$	400
แรงบิดสูงสุด	นิวตัน-เมตร	8/12
ขนาดหัวจับดอกสว่าน	มม.	1-10
ความสามารถในการเจาะสูงสุด		
ไม้	มม.	20
น้ำหนัก	กก.	0.62

เครื่องชาร์จ		
แรงดันไฟเข้า	$V_{AC}$	100-240
แรงดันไฟออก	$V_{DC}$	5
กระแสไฟฟ้า	มิลลิแอมป์	600
ระยะเวลาชาร์จโดยประมาณ	ชั่วโมง	8
แบตเตอรี่		
แรงดันไฟฟ้า	$V_{AC}$	7.2
ความจุ	แอมป์-ชั่วโมง	1.5
ประเภท		Li-Ion

### วัตถุประสงค์ในการใช้งาน

ส่วน BLACK+DECKER รุ่น BDCD8 เครื่องนี้ได้รับการออกแบบมาเพื่อการขันสกรูและการเจาะไม้ โลหะ และพลาสติก เครื่องมือนี้มีวัตถุประสงค์เพื่อการใช้งานของผู้บริโภคเท่านั้น

### ข้อปฏิบัติเพื่อความปลอดภัย

#### คำเตือนเพื่อความปลอดภัยทั่วไปสำหรับการใช้เครื่องมือไฟฟ้า



คำเตือน! โปรดอ่านคำเตือนและข้อปฏิบัติเพื่อความปลอดภัยทั้งหมด การไม่ปฏิบัติตามคำเตือนและข้อปฏิบัติเหล่านี้ อาจทำให้ถูกไฟฟ้าช็อต เกิดเพลิงไหม้ และ/หรือบาดเจ็บสาหัสได้

โปรดเก็บรักษาค่าเตือนและข้อปฏิบัติทั้งหมดนี้ไว้เพื่อการอ้างอิงในภายหลัง คำว่า "เครื่องมือไฟฟ้า" ในคำเตือนทั้งหมดที่แสดงไว้ข้างล่าง หมายถึงเครื่องมือไฟฟ้า (แบบมีสาย) ที่ทำงานด้วยแหล่งจ่ายไฟหลัก หรือเครื่องมือไฟฟ้า (แบบไร้สาย) ที่ทำงานด้วยแบตเตอรี่

#### 1. ความปลอดภัยในบริเวณที่ทำงาน

- รักษาความปลอดภัยและจัดให้มีแสงสว่างเพียงพอในบริเวณที่ทำงาน บริเวณที่มีดหรือมีขงวางระเกะระกะอาจทำให้เกิดอุบัติเหตุได้
- ห้ามใช้เครื่องมือไฟฟ้าในบริเวณที่อาจเกิดการระเบิด เช่น เมื่อมีของเหลวไวไฟ แก๊ส หรือฝุ่นลอย เครื่องมือไฟฟ้าจะทำให้เกิดประกายไฟที่อาจทำให้เกิดละอองไฟหรือเปลวไฟขึ้นได้
- ระวังไม่ให้เด็กเล็กและคนเดินผ่านไปมาเข้าใกล้ ในขณะที่ใช้งานเครื่องมือไฟฟ้า สิ่งรอบวงอาจทำให้คุณเสียสมาธิได้

#### 2. ความปลอดภัยทางไฟฟ้า

- ปลั๊กไฟของเครื่องต้องเป็นชนิดเดียวกับเต้ารับ ห้ามตัดแปลงปลั๊กไม่ว่าด้วยวิธีใด ห้ามใช้ปลั๊กอะแดปเตอร์ใดๆ กับเครื่องมือไฟฟ้าที่ต่อสายดิน (ลงกราวด์) ปลั๊กที่ไม่มีกราดตัดแปลงและเต้ารับชนิดเดียวกันจะช่วยลดความเสี่ยงจากการถูกไฟฟ้าช็อต
- หลีกเลี่ยงการสัมผัสพื้นผิวที่ต่อสายดินหรือลงกราวด์ เช่น ท่อ หม้อน้ำ เตาหุงต้ม และตู้เย็น มีความเสี่ยงเพิ่มขึ้นที่จะถูกไฟฟ้าช็อตหากร่างกายเป็นสื่อเชื่อมต่อดินหรือลงกราวด์
- อย่าให้เครื่องมือไฟฟ้าถูกฝนหรือเปียกน้ำ น้ำที่เข้าเครื่องมือไฟฟ้าจะเพิ่มความเสี่ยงในการเกิดไฟฟ้าช็อต
- ห้ามใช้สายไฟผิดวัตถุประสงค์ ห้ามใช้สายไฟเพื่อการหิ้ว ดึง หรือถอดปลั๊กเครื่องมือไฟฟ้า เก็บสายไฟให้พ้นจากความร้อน น้ำมัน ของมีคม หรือชิ้นส่วนที่กำลังเคลื่อนที่ สายไฟที่ชำรุดหรือพันกันเป็นการเพิ่มความเสี่ยงจากการถูกไฟฟ้าช็อต
- เมื่อใช้เครื่องมือไฟฟ้านอกอาคาร ให้ใช้สายต่อพ่วงที่เหมาะสมสำหรับการใช้งานนอกอาคาร การใช้สายไฟที่เหมาะสมสำหรับการใช้งานนอกอาคารจะช่วยลดความเสี่ยงจากการเกิดไฟฟ้าช็อต
- หากไม่สามารถหลีกเลี่ยงการใช้เครื่องมือไฟฟ้าในบริเวณที่ชื้นและได้ ให้ใช้อุปกรณ์ป้องกันไฟดูด (RCD) การใช้ RCD จะเป็นการลดความเสี่ยงจากการถูกไฟฟ้าช็อต

#### 3. ความปลอดภัยส่วนบุคคล

- ดินตัวและมีสมาธิกับสิ่งที่คุณกำลังทำ รวมทั้งใช้สามัญสำนึกในขณะที่กำลังใช้งานเครื่องมือไฟฟ้า ห้ามใช้เครื่องมือไฟฟ้าในขณะที่คุณกำลังเหนื่อยหรือได้รับอิทธิพลจากยา แอลกอฮอล์ หรือการรักษามากองอย่าง การขาดความระมัดระวังในการใช้เครื่องมือไฟฟ้าแม้ชั่วขณะหนึ่งอาจทำให้บาดเจ็บสาหัสได้

- ข) ใช้อุปกรณ์คุ้มครองความปลอดภัยส่วนบุคคลสวมอุปกรณ์ป้องกันดวงตาเสมอ อุปกรณ์ป้องกัน เช่น หน้ากากกันฝุ่น รองเท้านิรภัยกันลื่น หมวกนิรภัย หรืออุปกรณ์ป้องกันเสียงดังที่ใช้ในสภาวะที่เหมาะสมจะช่วยลดอาการบาดเจ็บทางร่างกาย
- ค) ป้องกันเครื่องเปิดทำงานโดยไม่ตั้งใจ สวิตช์ต้องอยู่ในตำแหน่งปิดก่อนที่จะเสียบปลั๊กเข้ากับแหล่งจ่ายไฟ และ/หรือ ชุดแบตเตอรี่ หรือก่อนจะยกหรือหัวเครื่องมือ การยกเครื่องมือไฟฟ้าในขณะที่นิ้วอยู่ที่สวิตช์ หรือใช้เครื่องมือไฟฟ้าที่สวิตช์เปิดอยู่ อาจทำให้เกิดอุบัติเหตุได้
- ง) ถอดกุญแจปรับตั้งหรือประแจออกก่อนเปิดสวิตช์เครื่องมือไฟฟ้า ประแจหรือกุญแจที่เสียบค้างอยู่ในชิ้นส่วนที่หมุนได้ของเครื่องมือไฟฟ้าอาจทำให้เกิดการบาดเจ็บได้
- จ) ห้ามยื่นแขนเท้าขณะใช้เครื่อง ควรยืนในท่าที่เหมาะสมและสมดุลตลอดเวลา เพื่อช่วยในการควบคุมเครื่องมือไฟฟ้าได้ดียิ่งขึ้นในสถานการณ์ที่ไม่คาดคิด
- ฉ) แต่งกายให้เหมาะสม ห้ามสวมเสื้อผ้าหลวมหรือใส่เครื่องประดับ ครอบผม ชายเสื้อ และถุงมือให้ห่างจากชิ้นส่วนที่กำลังหมุน เสื้อผ้าที่หลวมหรือยาว รุ่มร่าม เครื่องประดับ หรือผมที่ยาวอาจเข้าไปพันกับชิ้นส่วนที่กำลังหมุน
- ช) หากมีอุปกรณ์สำหรับดูดและเก็บฝุ่น ต้องตรวจสอบให้แน่ใจว่าได้เชื่อมต่อและใช้งานอุปกรณ์นั้นอย่างเหมาะสม การใช้อุปกรณ์เก็บฝุ่นจะช่วยลดอันตรายที่เกี่ยวข้องกับฝุ่นได้

#### 4. การใช้และการดูแลรักษาเครื่องมือไฟฟ้า

- ก) ห้ามฝืนใช้เครื่องมือไฟฟ้า เลือกใช้เครื่องมือไฟฟ้าที่ถูกต้องตรงกับลักษณะการใช้งานของคุณ เครื่องมือไฟฟ้าที่ถูกต้องย่อมทำงานได้ดีกว่าและปลอดภัยกว่า เมื่อใช้งานตามที่คิดที่เครื่องมือได้รับการออกแบบมา
- ข) ห้ามใช้เครื่องมือไฟฟ้าถ้าสวิตช์เปิดปิดเครื่องไม่ทำงาน เครื่องมือไฟฟ้าที่ไม่สามารถควบคุมผ่านสวิตช์ได้ ถือว่ามีอันตรายและต้องส่งซ่อม
- ค) ถอดปลั๊กของเครื่องมือไฟฟ้าออกจากแหล่งจ่ายไฟ และ/หรือ แบตเตอรี่ก่อนทำการปรับตั้ง เปลี่ยนอุปกรณ์เสริม หรือจัดเก็บ มาตรการเพื่อความปลอดภัยเชิงการป้องกันนี้จะช่วยลดความเสี่ยงในการผลัดเปิดเครื่องให้ทำงานโดยไม่ตั้งใจ
- ง) เก็บเครื่องมือไฟฟ้าที่ไม่ใช้งานไว้ให้พ้นมือเด็ก และไม่อนุญาตให้บุคคลที่ไม่คุ้นเคยกับเครื่องมือไฟฟ้าหรือคำแนะนำเหล่านี้เป็นผู้ใช้เครื่องมือไฟฟ้า ไฟจะเป็นอันตรายหากอยู่ในมือผู้ใช้ที่ไม่มีความชำนาญ
- จ) บำรุงรักษาเครื่องมือไฟฟ้า ตรวจสอบว่าชิ้นส่วนที่เคลื่อนที่ได้มีการวางไม่ตรงแนวหรือติดขัดหรือไม่มีชิ้นส่วนที่แตกหัก และสภาพอื่นใดที่อาจส่งผลกระทบต่อการทำงานของเครื่องมือไฟฟ้าหรือไม่ หากชำรุดเสียหาย ให้นำเครื่องมือไปส่งซ่อมก่อนนำ

มาใช้ อุบัติเหตุจำนวนมากเกิดจากการดูแลรักษาเครื่องมือไฟฟ้าไม่ดีพอ

- ฉ) เครื่องมือตัดต้องคมและสะอาดอยู่เสมอ เครื่องมือตัดที่ได้รับการดูแลรักษาอย่างถูกต้อง และมีขอบตัดคม จะมีปัญหาติดขัดน้อย และควบคุมได้ง่ายกว่า
- ช) ใช้เครื่องมือไฟฟ้า อุปกรณ์เสริมและชุดอุปกรณ์ต่างๆ ให้สอดคล้องกับคำแนะนำเหล่านี้ โดยพิจารณาถึงสภาพการทำงานและงานที่ทำเป็นสำคัญ การใช้เครื่องมือไฟฟ้าทำงานอื่นนอกเหนือจากที่กำหนดไว้ อาจทำให้เกิดอันตรายได้
5. การใช้และการดูแลรักษาแบตเตอรี่
- ก) ชาร์จแบตเตอรี่ด้วยเครื่องชาร์จที่ผู้ผลิตแนะนำเท่านั้น เครื่องชาร์จที่เหมาะสมกับแบตเตอรี่แบบหนึ่ง อาจทำให้เกิดไฟไหม้ได้ถ้านำมาใช้กับแบตเตอรี่อีกแบบหนึ่ง
- ข) ใช้เครื่องมือไฟฟ้าเฉพาะกับก้อนแบตเตอรี่ที่ออกแบบมาเป็นพิเศษเท่านั้น การใช้แบตเตอรี่แบบอื่นอาจทำให้เกิดการบาดเจ็บหรือเกิดไฟไหม้ได้
- ค) เมื่อไม่ได้ใช้ก้อนแบตเตอรี่ ให้เก็บออกห่างจากวัตถุอื่นๆ ที่เป็นโลหะ เช่น คลิปหนีบกระดาษ เหรียญ กุญแจ เข็ม สกรูหรือวัตถุขนาดเล็กอื่นๆ ที่ทำจากโลหะที่อาจทำให้เกิดการเชื่อมต่อจากขั้วหนึ่งไปอีกขั้วหนึ่ง การส่งจากรถจักรยานยนต์หรืออาจทำให้เกิดรอยไหม้หรือไฟไหม้ได้
- ง) เมื่ออยู่ภายใต้สภาวะที่ไม่เหมาะสมอาจมีของเหลวไหลออกมาจากแบตเตอรี่ ให้หลีกเลี่ยงการสัมผัสกับของเหลวนี้ หากบังเอิญสัมผัสโดยไม่ตั้งใจ ให้ล้างด้วยน้ำปริมาณมาก หากของเหลวกระเด็นเข้าตา ควรรีบไปพบแพทย์ ของเหลวที่ออกมาจากแบตเตอรี่อาจทำให้เกิดอาการระคายเคืองหรือรอยไหม้ได้

#### 6. การบริการ

- ก) ให้ช่างซ่อมที่มีความเชี่ยวชาญเป็นผู้ซ่อมเครื่องมือ และใช้อะไหล่แท้เท่านั้น ซึ่งจะช่วยให้นั่นใจได้ว่าเครื่องมือไฟฟ้ายังมีความปลอดภัยอยู่

#### คำเตือนเพื่อความปลอดภัยเพิ่มเติมสำหรับการใช้เครื่องมือไฟฟ้า



คำเตือน! คำเตือนเพื่อความปลอดภัยเพิ่มเติมสำหรับส่วน

- ใช้มือจับเสริมที่ให้มาพร้อมกับเครื่อง การสูญเสียการควบคุมเครื่องอาจทำให้ได้รับบาดเจ็บได้
- จับเครื่องมือไฟฟ้าที่พื้นผิวส่วนที่ใช้จับซึ่งมีฉนวนป้องกันเท่านั้น เมื่อใช้งานเครื่องและอุปกรณ์เสริมสำหรับงานตัดอาจสัมผัสกับสายไฟที่ซ่อนอยู่ อุปกรณ์เสริมสำหรับตัดที่สัมผัสลวดสายไฟ "ที่มีไฟฟ้า" อาจทำให้ส่วนที่เป็นโลหะของเครื่องที่ถูกสัมผัส "มีไฟฟ้า" และทำให้ผู้ใช้เครื่องถูกไฟฟ้าช็อตได้

- ♦ จับเครื่องมือไฟฟ้าที่พื้นผิวส่วนที่จับซึ่งมีฉนวนป้องกันเท่านั้น เมื่อใช้งานเครื่องกับงานที่ตัด อาจสัมผัสกับสายไฟที่ซ่อนอยู่ ตัดที่สัมผัสกับสายไฟ “ที่มิใช่ไฟฟ้า” อาจทำให้ส่วนที่เป็นโลหะของเครื่องที่ถูกสัมผัส “มีไฟฟ้า” และทำให้ผู้ใช้เครื่องถูกไฟฟ้าช็อตได้
- ♦ ใช้ตัวจับชิ้นงานหรือจับยึดด้วยวิธีอื่นๆ เพื่อยึดและหนีชิ้นงานบนแท่นที่มั่นคง การใช้มือจับหรือให้ชิ้นงานพังกับส่วตัวจะไม่มั่นคงและอาจทำให้สูญเสียการควบคุมได้ ใช้ตัวจับชิ้นงานหรือจับยึดด้วยวิธีอื่นๆ เพื่อยึดและหนีชิ้นงานบนแท่นที่มั่นคง การใช้มือจับหรือให้ชิ้นงานพังกับส่วตัวจะไม่มั่นคงและอาจทำให้สูญเสียการควบคุมได้
- ♦ ก่อนเจาะผนัง พื้น หรือเพดาน ให้ตรวจสอบตำแหน่งสายไฟและท่อน้ำ
- ♦ หลีกเลี่ยงการสัมผัสปลายดอกสว่านหลังจากการเจาะเสร็จทันทีเนื่องจากดอกสว่านอาจร้อน
- ♦ วัตถุประสงค์ในการใช้งานได้อธิบายไว้ในคู่มือแนะนำการใช้งานฉบับนี้ การใช้งานอุปกรณ์เสริมหรืออุปกรณ์ต่อพ่วง หรือการใช้งานอื่นใดกับเครื่องมือนี้นอกเหนือจากที่ได้แนะนำไว้ในคู่มือการใช้งานนี้ อาจทำให้เสี่ยงต่อการบาดเจ็บ และ/หรือความเสียหายต่อทรัพย์สินได้

### ความปลอดภัยของบุคคลอื่น

- ♦ เครื่องมือนี้ไม่ได้มีไว้เพื่อการใช้งานโดยบุคคล (ซึ่งรวมถึงผู้เยาว์) ที่มีความบกพร่องทางร่างกาย ทางารรับความรู้สึก หรือทางจิตประสาท หรือขาดประสบการณ์และความรู้ เว้นเสียแต่จะได้รับกรควบคุมดูแลหรือคำแนะนำการใช้เครื่องมือโดยผู้ที่รับผิดชอบต่อความปลอดภัยของบุคคลเหล่านั้น
- ♦ เด็กควรได้รับการควบคุมดูแลเพื่อให้แน่ใจว่าเด็กจะไม่เล่นเครื่องมือ

### ความเสี่ยงอื่นๆ ที่ยังมีอยู่

ความเสี่ยงอื่นๆ ที่ไม่ได้ระบุในคำเตือนเพื่อความปลอดภัยนี้ อาจเกิดขึ้นได้เมื่อใช้เครื่องมือ ความเสี่ยงเหล่านี้ อาจเกิดขึ้นจากการใช้อย่างไม่ถูกต้อง การใช้เป็นเวลานาน เป็นต้น แม้ว่า จะปฏิบัติตามข้อกำหนดด้านความปลอดภัยที่เกี่ยวข้อง และใช้อุปกรณ์เสริม แต่ความเสี่ยงอื่นๆ ที่ยังมีอยู่บางอย่างก็ไม่สามารถหลีกเลี่ยงได้ ความเสี่ยงเหล่านี้ ได้แก่:

- ♦ การบาดเจ็บที่เกิดจากการสัมผัสชิ้นส่วนที่หมุน/เคลื่อนที่
- ♦ การบาดเจ็บที่เกิดขึ้นขณะเปลี่ยนชิ้นส่วน ใบมีด หรืออุปกรณ์เสริม
- ♦ การบาดเจ็บที่เกิดจากการใช้เครื่องมือต่อเนื่องเป็นเวลานาน เมื่อใช้เครื่องมือเป็นระยะเวลาสั้น ต้องแน่ใจว่าคุณได้หยุดพักเป็นระยะ
- ♦ ความบกพร่องในการได้ยินเสียง
- ♦ อันตรายต่อสุขภาพที่เกิดจากการสูดดมฝุ่นจากการใช้เครื่องมือ (ตัวอย่างเช่น การทำงานกับไม้ โดยเฉพา ไม้ไผ่ ไม้ซุง และไม้ MDF)

### สัญลักษณ์บนเครื่องมือ

สัญลักษณ์ต่อไปนี้ จะปรากฏบนเครื่องมือพร้อมทั้งรหัสวันที่:



**คำเตือน!** เพื่อลดความเสี่ยงต่อการบาดเจ็บ ผู้ใช้ต้องอ่านคู่มือการใช้งานเล่มนี้

### คำแนะนำเพื่อความปลอดภัยเพิ่มเติมสำหรับแบตเตอรี่และเครื่องชาร์จ

#### แบตเตอรี่

- ♦ ห้ามพยายามแกะตัวแบตเตอรี่ในทุกกรณี
- ♦ อย่าให้แบตเตอรี่สัมผัสน้ำ
- ♦ ห้ามเก็บแบตเตอรี่ในสถานที่ที่อุณหภูมิอาจสูงเกิน 40 °C
- ♦ ชาร์จแบตเตอรี่ที่อุณหภูมิห้องระหว่าง 10 °C ถึง 40 °C เท่านั้น
- ♦ ชาร์จแบตเตอรี่ด้วยเครื่องชาร์จที่ให้มาพร้อมอุปกรณ์เท่านั้น
- ♦ เมื่อจะทิ้งแบตเตอรี่ ให้ทำตามคำแนะนำในหัวข้อ “การปกป้องสิ่งแวดล้อม”



อย่าพยายามชาร์จแบตเตอรี่ที่ชำรุดเสียหาย

#### เครื่องชาร์จ

- ♦ ใช้เครื่องชาร์จ BLACK+DECKER เพื่อชาร์จแบตเตอรี่ภายในเครื่องที่ให้มาพร้อมกันเท่านั้น การชาร์จแบตเตอรี่ชนิดอื่นๆ อาจทำให้แบตเตอรี่ระเบิดและเกิดการบาดเจ็บและความเสียหายได้
- ♦ ห้ามชาร์จแบตเตอรี่ชนิดชาร์จซ้ำไม่ได้
- ♦ เปลี่ยนสายไฟที่ชำรุดทันที
- ♦ อย่าให้เครื่องชาร์จสัมผัสน้ำ
- ♦ ห้ามแกะเปิดเครื่องชาร์จ
- ♦ ห้ามใช้สิ่งใดแหงเข้าไปในตัวเครื่องชาร์จ



เครื่องชาร์จนี้มีวัตถุประสงค์เพื่อการใช้งานในร่มเท่านั้น



โปรดอ่านคู่มือการใช้งานก่อนใช้เครื่อง

### ความปลอดภัยทางไฟฟ้า



เครื่องมือนี้มีฉนวนสองชั้น ดังนั้นจึงไม่จำเป็นต้องต่อสายดิน ต้องตรวจสอบกำลังไฟเพื่อให้ตรงกับแรงดันไฟฟ้าบนแผ่นแสดงพิกัดเสมอ ห้ามเปลี่ยนสายปลั๊กไฟของเครื่องชาร์จเป็นสายปลั๊กไฟธรรมดาโดยเด็ดขาด

- ♦ หากสายไฟของตัวเครื่องชำรุดเสียหาย ต้องได้รับการเปลี่ยนโดยผู้ผลิตหรือศูนย์บริการของ

BLACK+DECKER ที่ได้รับอนุญาตเพื่อหลีกเลี่ยงอันตรายที่อาจเกิดขึ้น

## ส่วนประกอบสำคัญ

เครื่องมือนี้มีส่วนประกอบสำคัญบางอย่างหรือทั้งหมดดังต่อไปนี้

1. สวิตช์
2. ปุ่มเลื่อนเดินหน้า/ถอยหลัง
3. ตัวจับดอกสว่านแบบไมใช่จ่าปา
4. พอร์ตชาร์จ USB
5. เครื่องชาร์จ USB
6. ไฟแสดงสถานะการชาร์จ

## การประกอบ

### การใช้งาน

**คำเตือน!** ปล่อยให้เครื่องมือทำงานตามความเร็วของเครื่อง ห้ามใช้งานเกินกำลัง

### การชาร์จแบตเตอรี่ (รูป A)

แบตเตอรี่ต้องการการชาร์จไฟก่อนการใช้งานครั้งแรก และทุกครั้งเมื่อแบตเตอรี่ไม่สามารถจ่ายพลังงานได้เพียงพอสำหรับงานที่เคยทำได้โดยง่าย แบตเตอรี่อาจอุ่นขึ้นระหว่างการชาร์จ ซึ่งถือเป็นเรื่องปกติและไม่ใช้ตัวบ่งชี้อาการผิดปกติ

**คำเตือน!** ห้ามชาร์จแบตเตอรี่ในอุณหภูมิห้องที่ต่ำกว่า 10 °C หรือสูงกว่า 40 °C อุณหภูมิการชาร์จที่แนะนำ: ประมาณ 24 °C

**หมายเหตุ:** เครื่องชาร์จจะไม่ชาร์จแบตเตอรี่หากอุณหภูมิของแบตเตอรี่ต่ำกว่าประมาณ 10 °C หรือสูงกว่า 40 °C ในทั้งแบตเตอรี่ไว้ในเครื่องชาร์จ แล้วเครื่องชาร์จจะเริ่มชาร์จไฟเองโดยอัตโนมัติเมื่ออุณหภูมิของแบตเตอรี่อุ่นขึ้นหรือเป็นลง

- เสียบปลั๊กเครื่องชาร์จเข้ากับเต้าเสียบไฟมาตรฐาน 230 โวลต์ ความถี่ 50 เฮิร์ตซ์

**หมายเหตุ:** เนื่องจากเครื่องมือนี้มีพอร์ต USB ติดตั้งอยู่ ดังนั้นจึงสามารถชาร์จผ่านพอร์ต USB ได้ โปรดตรวจสอบให้แน่ใจว่าสายไฟ (Micro USB) และพอร์ตตรงตามมาตรฐาน USB

- เสียบปลั๊กเครื่องชาร์จ (5) เข้ากับพอร์ตชาร์จ USB (4) ตามที่แสดงในรูป A ไฟแสดงสถานะการชาร์จ (6) จะติดสว่างเพื่อบอกว่าคุณชาร์จแบตเตอรี่ในเครื่องสว่านอยู่ เมื่อชาร์จเสร็จสมบูรณ์แล้ว ไฟ (6) จะดับลง
- ให้ชาร์จเครื่องมือครั้งแรกเป็นเวลา 9 ชั่วโมง หลังจากการชาร์จครั้งแรก และภายใต้การใช้งานปกติ เครื่องมือของคุณควรจะได้รับการชาร์จไฟให้เต็มภายใน 8 ถึง 9 ชั่วโมง

**คำเตือน!** ห้ามใช้เครื่องมือในขณะที่ต่ออยู่กับเครื่องชาร์จ

**คำเตือน!** อันตรายจากไฟไหม้ เมื่อถอดสายเครื่องมือออกจากเครื่องชาร์จ ตรวจสอบให้แน่ใจว่าถอดปลั๊กของเครื่องชาร์จออกจากเต้ารับก่อน แล้วจึงถอดสายเครื่องชาร์จออกจากเครื่องมือ

## สวิตช์และปุ่มปรับทิศทางหมุน (รูป B)

- เปิดและปิดใช้งานสว่านโดยการกดและปล่อยสวิตช์ (1)
- ปุ่มควบคุมเดินหน้า/ถอยหลัง (2) จะควบคุมทิศทางการทำงานของเครื่องมือ รวมทั้งทำหน้าที่เป็นปุ่มล็อคให้อยู่ในตำแหน่งปิดอีกด้วย
- เมื่อต้องการเลือกการหมุนไปข้างหน้า ให้ปล่อยสวิตช์และดันปุ่มควบคุมการเดินหน้า/ถอยหลังไปทางซ้าย
- เมื่อต้องการเลือกการถอยหลัง ให้ดันปุ่มควบคุมเดินหน้า/ถอยหลังไปในทิศทางตรงกันข้าม
- เมื่อต้องการล๊อคเครื่องมือ ให้ดันปุ่มเลื่อนเดินหน้า/ถอยหลังไปที่ตำแหน่งกึ่งกลาง

**หมายเหตุ!** ตำแหน่งตรงกลางของปุ่มควบคุมจะใช้ล๊อคเครื่องมือให้อยู่ในตำแหน่งปิดการทำงาน เมื่อจะเปลี่ยนตำแหน่งของปุ่มควบคุม ต้องแน่ใจว่าได้ปล่อยสวิตช์แล้ว

## ตัวจับดอกสว่านแบบไมใช่จ่าปา (รูป C)

**คำเตือน!** ตรวจสอบให้แน่ใจว่าปุ่มล๊อคทำงานอยู่เพื่อป้องกันการเปิดสวิตช์เครื่องมือก่อนการถอดหรือติดตั้งอุปกรณ์เสริม

ถ้าต้องการใส่ดอกสว่านหรืออุปกรณ์เสริมอื่น:

- จับส่วนครึ่งหลังของตัวจับดอกสว่าน (7) ด้วยมือข้างหนึ่งและใช้มืออีกข้างหนึ่งหมุนส่วนครึ่งหน้า (8) ในทิศทางเข็มนาฬิกา เมื่อดูจากด้านบนปลายของตัวจับดอกสว่าน
- ใส่ดอกสว่านหรืออุปกรณ์เสริมอื่นลงในตัวจับดอกสว่านจนสุด และขันให้แน่นด้วยการจับส่วนครึ่งหลังของตัวจับดอกสว่าน และหมุนส่วนหน้าในทิศทางเข็มนาฬิกา เมื่อดูจากด้านบนปลายของตัวจับดอกสว่าน

**คำเตือน!** อย่าพยายามขันดอกสว่าน (หรืออุปกรณ์เสริมใดๆ) ให้แน่นด้วยการจับที่ด้านบนของตัวจับดอกสว่านแล้วเปิดเครื่องมือ การเปลี่ยนอุปกรณ์เสริมในลักษณะนี้อาจทำให้เกิดความเสียหายต่อตัวจับดอกสว่านและเกิดการบาดเจ็บได้

## การเจาะ/ขันสกรู

- เลือกทิศทางการหมุนไปข้างหน้าหรือย้อนกลับโดยใช้ปุ่มเลื่อนเดินหน้า/ถอยหลัง (2)
- เมื่อต้องการเปิดเครื่อง ให้กดสวิตช์ (1) ความเร็วของเครื่องมือจะขึ้นอยู่กับความลึกของสวิตช์ที่คุณกดลงไป
- เมื่อจะปิดเครื่อง ให้ปล่อยสวิตช์

## คำแนะนำเพื่อการใช้งานที่เหมาะสม

### การเจาะ

- ออกแรงกดเล็กน้อยเป็นแนวตรงกับดอกสว่านเสมอ
- ก่อนที่ปลายดอกสว่านจะเจาะทะลุชิ้นงาน ให้ลดแรงที่กดลงบนเครื่องมือ
- ใช้ท่อนไม้รองรับชิ้นงานที่อาจมีเศษแตกกระเด็น
- ใช้ดอกสว่านใบพายเมื่อต้องการเจาะรูขนาดใหญ่ลงในไม้
- ใช้ดอกสว่าน HSS เมื่อเจาะโลหะ



- ♦ ใช้ดอกสว่านเจาะปูนเมื่อเจาะปูนเนื้ออ่อน
- ♦ ใช้สารหล่อลื่นเมื่อเจาะโลหะที่ไม่ใช่เหล็กและทองเหลือง
- ♦ ทำรอยบากด้วยตัวบากจุดกึ่งกลางที่จุดกึ่งกลางรูที่ต้องการเจาะเพื่อเพิ่มความแม่นยำ

### การขันสกรู

- ♦ ใช้ดอกไขควงชนิดและขนาดที่เหมาะสมเสมอ
- ♦ หากสกรูขันได้ยาก ให้ลองทาน้ำมันสกรูหล่อลื่นเล็กน้อย
- ♦ จับเครื่องมือและดอกไขควงให้อยู่ในแนวเดียวกับสกรูเสมอ

### การแก้ปัญหา

ปัญหา	สาเหตุที่เป็นไปได้	การแก้ไขที่เป็นไปได้
เครื่องไม่เริ่มทำงาน	แบตเตอรี่ไม่ได้รับการชาร์จ	ตรวจสอบข้อกำหนดการชาร์จแบตเตอรี่
แบตเตอรี่ไม่ชาร์จ	เครื่องชาร์จไม่ได้เสียบไฟ  อุณหภูมิโดยรอบสูงเกินไปหรือเย็นเกินไป	เสียบเครื่องชาร์จเข้ากับเต้าเสียบที่ใช้งานได้  ย้ายแท่นชาร์จและชุดแบตเตอรี่ไปในบริเวณที่มีอุณหภูมิของอากาศโดยรอบสูงกว่า 40 องศา F (45°C) หรือต่ำกว่า 105 องศา F (+40.5°C)

### การบำรุงรักษา

เครื่องมือของ BLACK+DECKER ออกแบบมาให้สามารถใช้งานได้ยาวนานต่อเนื่องโดยที่มีการบำรุงรักษาที่น้อยที่สุด การทำงานที่สร้างความพึงพอใจอย่างต่อเนื่องจะขึ้นอยู่กับ การดูแลรักษาที่เหมาะสมและการทำความสะอาดอย่างสม่ำเสมอ

เครื่องชาร์จไม่ต้องการการดูแลพิเศษอื่นใดนอกเหนือจากการทำความสะอาดเป็นประจำ

**คำเตือน!** ก่อนดำเนินการบำรุงรักษาเครื่องมือ ให้ถอดปลั๊กเครื่องชาร์จออกก่อนจะทำความสะอาดเครื่องมือ

- ♦ ทำความสะอาดของระบายอากาศในเครื่องมือและเครื่องชาร์จของคุณเป็นประจำโดยใช้แปรงขนอ่อนหรือผ้าแห้ง
- ♦ ทำความสะอาดตัวมอเตอร์เป็นประจำโดยใช้ผ้าขนานน้ำหนักหยาบ ใช้ผ้าทำความสะอาดที่มีฤทธิ์กัดกร่อนหรือมีส่วนผสมของตัวทำละลาย
- ♦ เปิดตัวจับดอกสว่านออกมาเคาะเป็นประจำเพื่อกำจัดฝุ่นที่ติดอยู่ในตัวจับ

### การปกป้องสิ่งแวดล้อม



การเก็บรวบรวมแบบคัดแยก ห้ามทิ้งผลิตภัณฑ์นี้ร่วมกับขยะในครัวเรือนปกติ

หากเมื่อใดก็ตามที่จำเป็นต้องเปลี่ยนผลิตภัณฑ์ BLACK+DECKER หรือถ้าเครื่องมือนี้ไม่เป็นประโยชน์อีกต่อไป อยุ่อย่างผลิตภัณฑ์นี้ร่วมกับขยะในครัวเรือน จัดการกับผลิตภัณฑ์นี้เพื่อให้พร้อมสำหรับการเก็บรวบรวมแบบคัดแยก



การเก็บรวบรวมแบบคัดแยกสำหรับบรรจุภัณฑ์และผลิตภัณฑ์ที่ใช้แล้วทำให้สามารถรีไซเคิลวัสดุและนำมาใช้งานอีกครั้ง

การนำวัสดุรีไซเคิลมาใช้อีกครั้งจะช่วยป้องกันมลพิษต่อสิ่งแวดล้อมและลดความต้องการวัตถุดิบ

ตามกฎระเบียบท้องถิ่นอาจมีการจัดเตรียมสถานที่สำหรับการเก็บรวบรวมแบบคัดแยกอุปกรณ์ไฟฟ้าที่ใช้ภายในครัวเรือนไว้ ณ แหล่งรับขยะของเทศบาล หรืออาจมีการรับอุปกรณ์ใช้แล้วจากผู้ค้าปลีกในกรณีที่คุณซื้อผลิตภัณฑ์ชิ้นใหม่

คุณสามารถตรวจสอบที่อยู่ของตัวแทนซ่อมที่ได้รับอนุญาตที่อยู่ใกล้คุณมากที่สุดได้โดยการติดต่อสำนักงานของ BLACK+DECKER ในพื้นที่ของคุณตามที่อยู่ที่ระบุในคู่มือนี้ นอกจากนี้ ยังมีรายชื่อตัวแทนซ่อมที่ได้รับอนุญาตของ BLACK+DECKER และข้อมูลการบริการหลังการขายของเราและข้อมูลการติดต่อโดยละเอียดแสดงบนอินเทอร์เน็ตที่: [www.2helpU.com](http://www.2helpU.com)

### แบตเตอรี่



ไม่มีชิ้นส่วนใดที่ผู้ใช้สามารถซ่อมได้อยู่ภายใน

### ข้อมูลการบริการ

BLACK+DECKER ให้บริการเครือข่ายศูนย์บริการของบริษัทเองและศูนย์ฯ ที่ได้รับการรับรองเต็มรูปแบบทั่วทั้งทวีปเอเชีย ศูนย์บริการ BLACK+DECKER ทุกแห่งมีพนักงานที่ผ่านการฝึกอบรมเพื่อให้บริการผลิตภัณฑ์ได้อย่างมีประสิทธิภาพและเชื่อถือได้

ไม่ว่าคุณต้องการคำแนะนำด้านเทคนิค การซ่อมแซมหรืออะไหล่แทนจากโรงงาน โปรดติดต่อศูนย์ BLACK+DECKER ใกล้บ้าน

### หมายเหตุ

- ♦ เนื่องจาก BLACK+DECKER มินนโยบายพัฒนาปรับปรุงผลิตภัณฑ์อย่างต่อเนื่อง ดังนั้น เราจึงขอสงวนสิทธิ์ใน



- การเปลี่ยนแปลงข้อมูลจำเพาะของผลิตภัณฑ์โดยไม่แจ้งให้ทราบล่วงหน้า
- ♦ อุปกรณ์มาตรฐานและอุปกรณ์เสริมอาจแตกต่างกันในแต่ละประเทศ
  - ♦ ข้อมูลจำเพาะของผลิตภัณฑ์อาจแตกต่างกันในแต่ละประเทศ
  - ♦ ตัวเลือกผลิตภัณฑ์อาจมีจำหน่ายไม่ครบทุกรุ่นในบางประเทศ โปรดสอบถามรุ่นผลิตภัณฑ์ที่มีจำหน่ายจากตัวแทนจำหน่ายของ BLACK+DECKER ในประเทศของคุณ





