

BLACK+ DECKER

18V LITHIUM DRILL/DRIVER
OBENG/BOR 18V LITHIUM

18 伏锂电钻/起子

18V 鋰電智能
電鑽起子機

LITHIUM 드릴/드라이버

INSTRUCTION
MANUAL
BUKU PETUNJUK

使用手冊

使用手冊

사용 설명서

CATALOG NUMBER
NOMOR KATALOG

产品目录号

目錄編號

카탈로그 번호

AUTO01

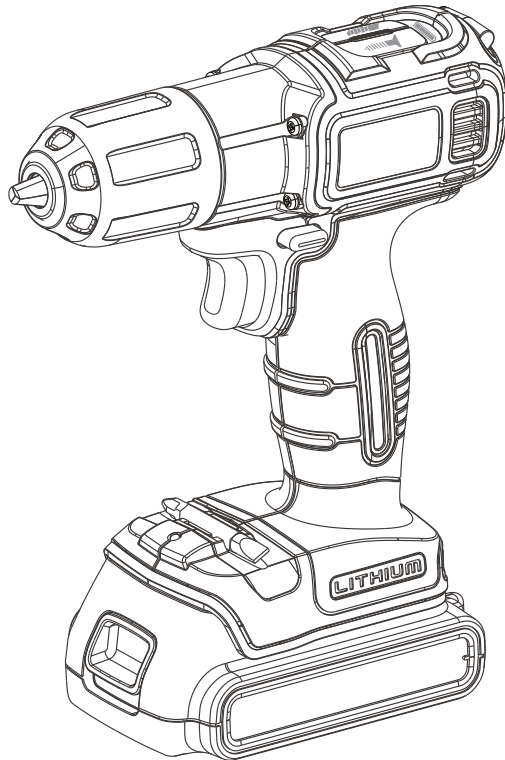
ENGLISH 4

BAHASA INDONESIA 11

简体中文 18

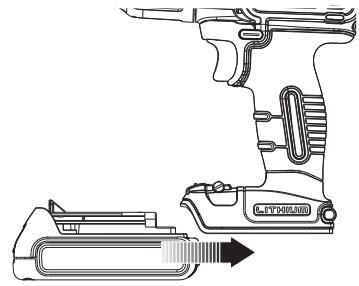
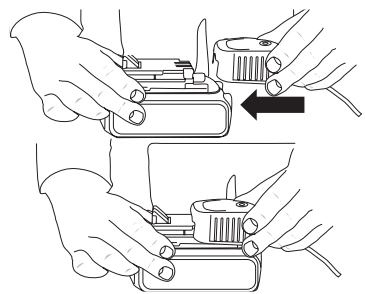
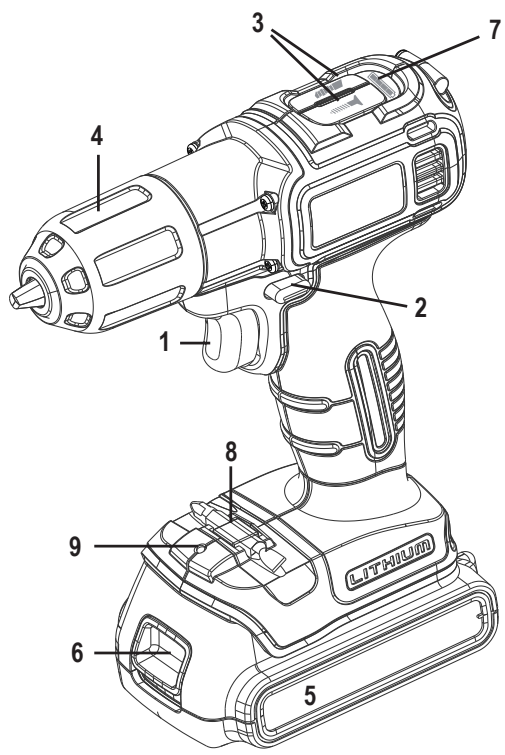
中文(繁體) 25

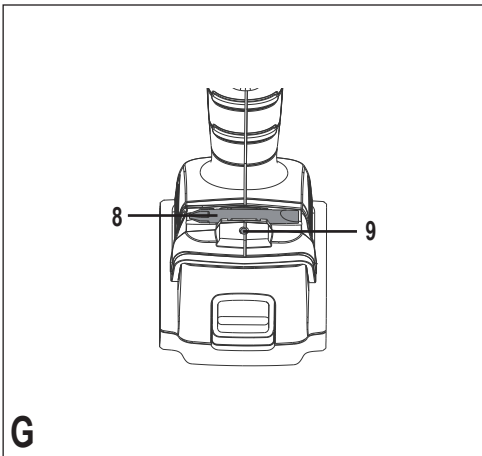
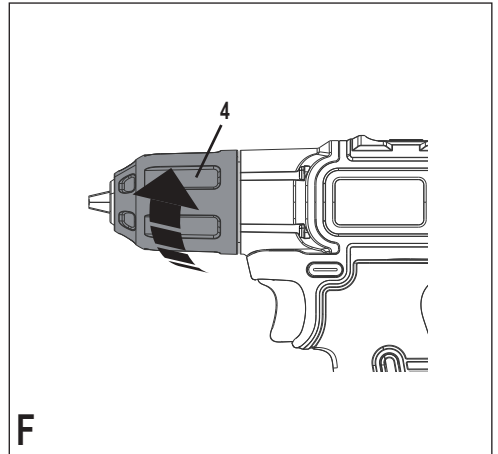
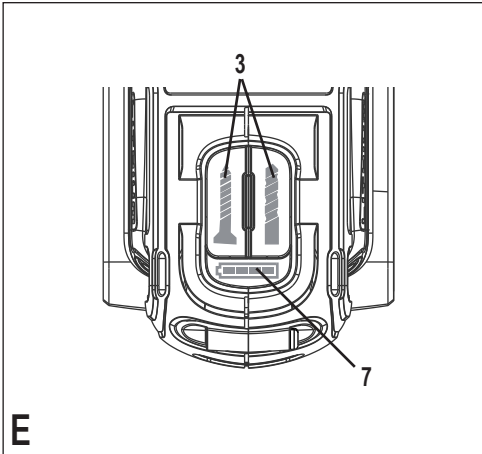
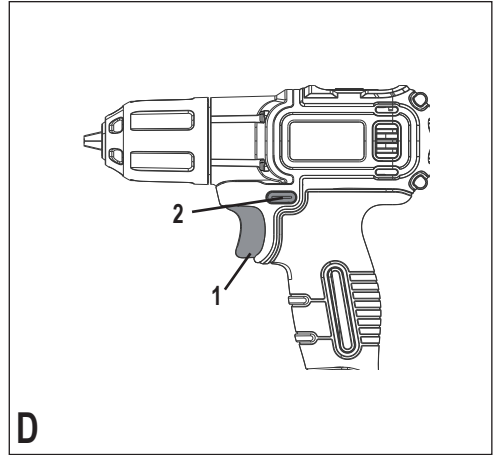
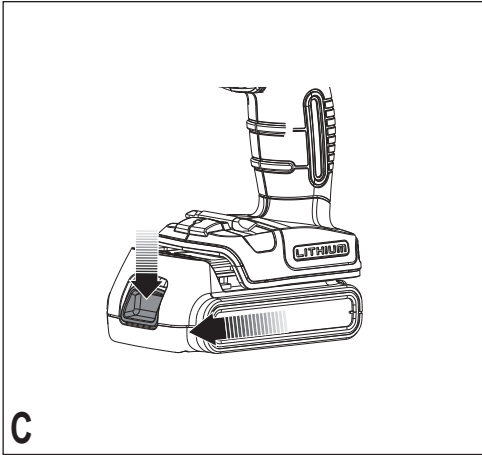
한국어 32



PLEASE READ BEFORE RETURNING THIS PRODUCT FOR ANY REASON.
HARAP BACA SEBELUM MENGEMBALIKAN PRODUK INI KARENA SUATU ALASAN.
请在因任何原因返回此产品前阅读手册。
因任何原因退回此產品前，請閱讀本手冊。
어떠한 이유로 본 제품을 반환하기 전에 본 사용 설명서를 숙지하십시오.

SAVE THIS MANUAL FOR FUTURE REFERENCE.
SIMPAN BUKU PETUNJUK INI UNTUK REFERENSI DI MASA MENDATANG.
请保管好本手册，以备将来查阅。
請保存本手冊以備將來查閱。
향후 참고할 수 있도록 본 설명서를 보관해두십시오.





18V LITHIUM DRILL/DRIVER AUTO01

Technical data

		AUTO01
Voltage	V _{DC}	18
No-load speed	Min ⁻¹	0-800
Max. torque (PTI Rating)	Nm	16/39
Chuck capacity	mm	10
Max Drilling capacity		
Steel/wood	mm	10/25

Charger		AUTO01-TWZZ LCS1620	AUTO01-A9	AUTO01-KR
Input Voltage	V _{AC}	100-240V	120V	220V
Output Voltage	V _{DC}	8-20V	8-20V	8-20V
Current	mA	400	400	400
Approx. charge time		3-5h	3-5h	3-5h
				45min

Battery		BL1518
Voltage	V _{DC}	18
Capacity	Ah	1.5
Type		Li-Ion

SAFETY GUIDELINES - DEFINITIONS

It is important for you to read and understand this manual. The information it contains relates to protecting YOUR SAFETY and PREVENTING PROBLEMS. The symbols below are used to help you recognize this information.

⚠ DANGER: Indicates an imminently hazardous situation which, if not avoided, will result in death or serious injury.

⚠ WARNING: Indicates a potentially hazardous situation which, if not avoided, could result in death or serious injury.

⚠ CAUTION: Indicates a potentially hazardous situation which, if not avoided, may result in minor or moderate injury.

NOTICE: Used without the safety alert symbol indicates potentially hazardous situation which, if not avoided, may result in property damage.

GENERAL POWER TOOL SAFETY RULES

⚠ WARNING: Read all safety warnings and all instructions. Failure to follow the warnings and instructions may result in electric shock, fire and/or serious injury.

SAVE ALL WARNINGS AND INSTRUCTIONS FOR FUTURE REFERENCE

The term "power tool" in the warnings refers to your mains-operated (corded) power tool or battery-operated (cordless) power tool.

1) WORK AREA SAFETY

- Keep work area clean and well lit.** Cluttered or dark areas invite accidents.
- Do not operate power tools in explosive atmospheres, such as in the presence of flammable liquids, gases or dust.** Power tools create sparks which may ignite the dust or fumes.
- Keep children and bystanders away while operating a power tool.** Distractions can cause you to lose control.

2) ELECTRICAL SAFETY

- Power tool plugs must match the outlet. Never modify the plug in any way. Do not use any adapter plugs with earthed (grounded) power tools.** Unmodified plugs and matching outlets will reduce risk of electric shock.
- Avoid body contact with earthed or grounded surfaces such as pipes, radiators, ranges and refrigerators.** There is an increased risk of electric shock if your body is earthed or grounded.
- Do not expose power tools to rain or wet conditions.** Water entering a power tool will increase the risk of electric shock.
- Do not abuse the cord. Never use the cord for carrying, pulling or unplugging the power tool. Keep cord away from heat, oil, sharp edges or moving parts.** Damaged or entangled cords increase the risk of electric shock.
- When operating a power tool outdoors, use an extension cord suitable for outdoor use.** Use of a cord suitable for outdoor use reduces the risk of electric shock.
- If operating a power tool in a damp location is unavoidable, use a residual current device (RCD) protected supply.** Use of an RCD reduces the risk of electric shock.

3) PERSONAL SAFETY

- Stay alert, watch what you are doing and use common sense when operating a power tool. Do not use a power tool while you are tired or under the influence of drugs, alcohol or medication.** A moment of inattention while operating power tools may result in serious personal injury.

- b) **Use personal protective equipment. Always wear eye protection.** Protective equipment such as dust mask, nonskid safety shoes, hard hat, or hearing protection used for appropriate conditions will reduce personal injuries.
- c) **Prevent unintentional starting. Ensure the switch is in the off position before connecting to power source and/ or battery pack, picking up or carrying the tool.** Carrying power tools with your finger on the switch or energizing power tools that have the switch on invites accidents.
- d) **Remove any adjusting key or wrench before turning the power tool on.** A wrench or a key left attached to a rotating part of the power tool may result in personal injury.
- e) **Do not overreach. Keep proper footing and balance at all times.** This enables better control of the power tool in unexpected situations.
- f) **Dress properly. Do not wear loose clothing or jewelry. Keep your hair, clothing and gloves away from moving parts.** Loose clothes, jewelry or long hair can be caught in moving parts.
- g) **If devices are provided for the connection of dust extraction and collection facilities, ensure these are connected and properly used.** Use of dust collection can reduce dust-related hazards.

4) POWER TOOL USE AND CARE

- a) **Do not force the power tool. Use the correct power tool for your application.** The correct power tool will do the job better and safer at the rate for which it was designed.
- b) **Do not use the power tool if the switch does not turn it on and off.** Any power tool that cannot be controlled with the switch is dangerous and must be repaired.
- c) **Disconnect the plug from the power source and/ or the battery pack from the power tool before making any adjustments, changing accessories, or storing power tools.** Such preventive safety measures reduce the risk of starting the power tool accidentally.
- d) **Store idle power tools out of the reach of children and do not allow persons unfamiliar with the power tool or these instructions to operate the power tool.** Power tools are dangerous in the hands of untrained users.
- e) **Maintain power tools. Check for misalignment or binding of moving parts, breakage of parts and any other condition that may affect the power tool's operation. If damaged, have the power tool repaired before use.** Many accidents are caused by poorly maintained power tools.
- f) **Keep cutting tools sharp and clean.** Properly maintained cutting tools with sharp cutting edges are less likely to bind and are easier to control.

- g) **Use the power tool, accessories and tool bits, etc. in accordance with these instructions, taking into account the working conditions and the work to be performed.** Use of the power tool for operations different from those intended could result in a hazardous situation.

5) BATTERY TOOL USE AND CARE

- a) **Recharge only with the charger specified by the manufacturer.** A charger that is suitable for one type of battery pack may create a risk of fire when used with another battery pack.
- b) **Use power tools only with specifically designated battery packs.** Use of any other battery packs may create a risk of injury and fire.
- c) **When battery pack is not in use, keep it away from other metal objects like paper clips, coins, keys, nails, screws, or other small metal objects that can make a connection from one terminal to another.** Shorting the battery terminals together may cause burns or a fire.
- d) **Under abusive conditions, liquid may be ejected from the battery, avoid contact. If contact accidentally occurs, flush with water. If liquid contacts eyes, additionally seek medical help.** Liquid ejected from the battery may cause irritation or burns.

6) SERVICE

- a) **Have your power tool serviced by a qualified repair person using only identical replacement parts.** This will ensure that the safety of the power tool is maintained.

SPECIFIC SAFETY RULES

- **Hold power tool by insulated gripping surfaces, when performing an operation where the cutting accessory may contact hidden wiring.** Cutting accessory contacting a "live" wire may make exposed metal parts of the power tool "live" and could give the operator an electric shock.
- **Use auxiliary handle(s) if supplied with the tool.** Loss of control can cause personal injury.
- **Use clamps or another practical way to secure and support the work piece to a stable platform.** Holding the work by hand or against your body leaves it unstable and may lead to loss of control.
- **When not in use, place tool on its side on a stable surface where it will not cause a tripping or falling hazard.** Some tools with large battery packs will stand upright but may be easily knocked over.
- **Keep your hair, clothing, and gloves away from air vents.** Air vents often cover moving parts in which these items can be caught.
- **Hold tool firmly with two hands, one hand on the**

handle, and the other gripping the bottom around the battery area. Use auxiliary handle if provided. Loss of control can cause personal injury.

⚠ WARNING: Some dust created by power sanding, sawing, grinding, drilling, and other construction activities contains chemicals known to the State of California to cause cancer, birth defects or other reproductive harm. Some examples of these chemicals are:

- lead from lead-based paints,
- crystalline silica from bricks and cement and other masonry products, and
- arsenic and chromium from chemically-treated lumber.

Your risk from these exposures varies, depending on how often you do this type of work. To reduce your exposure to these chemicals: work in a well ventilated area, and work with approved safety equipment, such as those dust masks that are specially designed to filter out microscopic particles.

- **Avoid prolonged contact with dust from power sanding, sawing, grinding, drilling, and other construction activities. Wear protective clothing and wash exposed areas with soap and water.** Allowing dust to get into your mouth, eyes, or lay on the skin may promote absorption of harmful chemicals.

FUNCTIONAL DESCRIPTION

1. Variable speed switch
2. Forward/reverse button
3. Mode select buttons
4. Single sleeve keyless chuck
5. Battery
6. Battery release button
7. State of charger indicator
8. Screwdriver bit holder
9. LED work light

IMPORTANT SAFETY INSTRUCTIONS FOR BATTERY CHARGERS

SAVE THESE INSTRUCTIONS: This manual contains important safety instructions for battery chargers.

- Before using charger, read all instructions and cautionary markings on charger, battery pack, and product using battery pack.

SYMBOLS

The label on your tool may include the following symbols. The symbols and their definitions are as follows:

- V.....volts
- A.....amperes
- Hz.....hertz
- W.....watts
- min.....minutes
- ~ or AC.....alternating current
- or DC.....direct current
- n₀.....no load speed
- ⓘ.....Class I Construction (grounded)
- Ⓧ.....earthing terminal
- ⚠.....safety alert symbol
- Ⓛ.....Class II Construction (double insulated)
- .../min or rpm...revolutions or reciprocation per minute
- 📖..... Read instruction manual before use
- 🧴..... Use proper respiratory protection
- 👁..... Use proper eye protection
- 👂..... Use proper hearing protection

⚠ WARNING: Shock hazard. Do not allow any liquid to get inside charger.

⚠ CAUTION: Burn hazard. To reduce the risk of injury, charge only designated **Black + Decker** batteries. Other types of batteries may burst causing personal injury and damage.

⚠ CAUTION: Under certain conditions, with the charger plugged in to the power supply, the charger can be shorted by foreign material. Foreign materials of a conductive nature such as, but not limited to, steel wool, aluminum foil, or any buildup of metallic particles should be kept away from charger cavities. Always unplug the charger from the power supply when there is no battery pack in the cavity. Unplug charger before attempting to clean.

⚠ WARNING: DO NOT attempt to charge the battery pack with any chargers other than the ones in this manual. The charger and battery pack are specifically designed to work together.

- **These chargers are not intended for any uses other than charging designated Black + Decker rechargeable batteries.** Any other uses may result in risk of fire, electric shock or electrocution.
- **Do not expose charger to rain or snow.**
- **Pull by plug rather than cord when disconnecting charger.** This will reduce risk of damage to electric plug and cord.
- **Make sure that cord is located so that it will not be stepped on, tripped over, or otherwise subjected to damage or stress.**
- **Do not use an extension cord unless it is**

- absolutely necessary.** Use of improper extension cord could result in risk of fire, electric shock, or electrocution.
- **An extension cord must have adequate wire size (AWG or American Wire Gauge) for safety.** The smaller the gauge number of the wire, the greater the capacity of the cable, that is 16 gauge has more capacity than 18 gauge. When using more than one extension to make up the total length, be sure each individual extension contains at least the minimum wire size.
 - **Do not operate charger with damaged cord or plug** — have them replaced immediately.
 - **Do not operate charger if it has received a sharp blow, been dropped, or otherwise damaged in any way.** Take it to an authorized service center.
 - **Do not disassemble charger;** take it to an authorized service center when service or repair is required. Incorrect reassembly may result in a risk of electric shock, electrocution or fire.
 - **Disconnect the charger from the outlet before attempting any cleaning.** This will reduce the risk of electric shock. Removing the battery pack will not reduce this risk.
 - **NEVER attempt to connect 2 chargers together.**
 - **The charger is designed to operate on standard household electrical power (120 Volts). Do not attempt to use it on any other voltage.**

SAVE THESE INSTRUCTIONS

IMPORTANT SAFETY INSTRUCTION FOR BATTERY PACKS

⚠ WARNING: For safe operation, read this manual and manuals originally supplied with tool before using the charger. The battery pack is not fully charged out of the carton. Before using the battery pack and charger, read the safety instructions below. Then follow charging procedures outlined.

READ ALL INSTRUCTIONS

- **Do not incinerate the battery pack even if it is severely damaged or is completely worn out.** The battery pack can explode in a fire. Toxic fumes and materials are created when battery packs are burned.
- **Do not charge or use battery in explosive atmospheres, such as in the presence of flammable liquids, gases or dust.** Inserting or removing the battery from the charger may ignite the dust or fumes.
- **If battery contents come into contact with the skin, immediately wash area with mild soap and water.** If battery liquid gets into the eye, rinse water over the open eye for 15 minutes or until irritation ceases. If medical attention is needed, the battery electrolyte for Lithium-Ion batteries is composed of a mixture of liquid organic carbonates and lithium salts.
- **Contents of opened battery cells may cause respiratory irritation.** Provide fresh air. If symptoms persist, seek medical attention.

⚠ WARNING: Burn hazard. Battery liquid may be flammable if exposed to spark or flame.

- Charge the battery packs only in **Black + Decker** chargers.
- **DO NOT splash or immerse in water or other liquids.** This may cause premature cell failure.
- **Do not store or use the tool and battery pack in locations where the temperature may reach or exceed 105°F (40°C) (such as outside sheds or metal buildings in summer).**

⚠ WARNING: Never attempt to open the battery pack for any reason. If battery pack case is cracked or damaged, do not insert into charger. Do not crush, drop or damage battery pack. Do not use a battery pack or charger that has received a sharp blow, been dropped, run over or damaged in any way (i.e., pierced with a nail, hit with a hammer, stepped on). Damaged battery packs should be returned to service center for recycling.

⚠ WARNING: Fire hazard. Do not store or carry battery so that metal objects can contact exposed battery terminals. For example, do not place battery in aprons, pockets, tool boxes, product kit boxes, drawers, etc., with loose nails, screws, keys, etc. **Transporting batteries can possibly cause fires if the battery terminals inadvertently come in contact with conductive materials such as keys, coins, hand tools and the like.** The US Department of Transportation Hazardous Material Regulations (HMR) actually prohibit transporting batteries in commerce or on airplanes (i.e., packed in suitcases and carry-on luggage) **UNLESS** they are properly protected from short circuits. So when transporting individual batteries, make sure that the battery terminals are protected and well insulated from materials that could contact them and cause a short circuit. **NOTE: Lithium-Ion batteries should not be put in checked baggage.**

STORAGE RECOMMENDATIONS

1. The best storage place is one that is cool and dry away from direct sunlight and excess heat or cold.
2. Long storage will not harm the battery pack or charger.

CHARGING PROCEDURE

Black + Decker chargers are designed to charge **Black + Decker** battery packs in 3-5 hours depending on the pack being charged.

1. Plug the charger into an appropriate outlet before inserting the battery pack.
2. Insert the battery pack into the charger as shown in **figure A**.
3. The green LED will flash indicating that the battery is being charged.
4. The completion of charge is indicated by the green LED remaining on continuously. The pack is fully charged and may be used at this time or left on the charger.

Recharge discharged batteries as soon as possible after use or battery life may be greatly diminished. For longest battery

life, do not discharge batteries fully. It is recommended that the batteries be recharged after each use.

LEAVING THE BATTERY IN THE CHARGER

The charger and battery pack can be left connected with the green LED glowing indefinitely. The charger will keep the battery pack fresh and fully charged.

IMPORTANT CHARGING NOTES

1. Longest life and best performance can be obtained if the battery pack is charged when the air temperature is between 65°F and 75°F (18°- 24°C). DO NOT charge the battery pack in an air temperature below +40°F (+4.5°C), or above +105°F (+40.5°C). This is important and will prevent serious damage to the battery pack.
2. The charger and battery pack may become warm to touch while charging. This is a normal condition, and does not indicate a problem. To facilitate the cooling of the battery pack after use, avoid placing the charger or battery pack in a warm environment such as in a metal shed, or an uninsulated trailer.
3. If the battery pack does not charge properly:
 - a. Check current at receptacle by plugging in a lamp or other appliance
 - b. Check to see if receptacle is connected to a light switch which turns power off when you turn out the lights.
 - c. Move charger and battery pack to a location where the surrounding air temperature is approximately 65°F - 75°F (18°- 24°C).
 - d. If charging problems persist, take the tool, battery pack and charger to your local service center.
4. The battery pack should be recharged when it fails to produce sufficient power on jobs which were easily done previously. DO NOT CONTINUE to use under these conditions. Follow the charging procedure. You may also charge a partially used pack whenever you desire with no adverse affect on the battery pack.
5. Foreign materials of a conductive nature such as, but not limited to, steel wool, aluminum foil, or any buildup of metallic particles should be kept away from charger cavities. Always unplug the charger from the power supply when there is no battery pack in the cavity. Unplug charger before attempting to clean.
6. Do not freeze or immerse charger in water or any other liquid.

⚠ WARNING: Shock hazard. Do not allow any liquid to get inside charger. Never attempt to open the battery pack for any reason. If the plastic housing of the battery pack breaks or cracks, return to a service center for recycling.

SAFETY WARNINGS AND INSTRUCTIONS: DRILLS

1. Hold drill firmly with one hand on the grip and the other hand on the bottom of the battery pack.
2. When attaching accessories in the drill chuck, hand tighten the keyless chuck firmly.

⚠ WARNING: Drill may stall (if overloaded or improperly used) causing a twist. Always expect the stall. Grip the drill firmly with both hands to control the twisting action and prevent loss of control which could cause personal injury. If a stall does occur, release the trigger immediately and determine the reason for the stall before re-starting.

INSTALLING AND REMOVING THE BATTERY PACK FROM THE TOOL

⚠ WARNING: Make certain the lock-off button is engaged to prevent switch actuation before removing or installing battery.

TO INSTALL BATTERY PACK: Insert battery (5) into tool until an audible click is heard (**figure B**). Ensure battery pack is fully seated and fully latched into position.

TO REMOVE BATTERY PACK: Depress the battery release button (6) as shown in **figure C** and pull battery pack out of tool.



OPERATING INSTRUCTIONS TRIGGER SWITCH & REVERSING BUTTON (FIGURE D)

- The drill is turned ON and OFF by pulling and releasing the trigger switch (1). The farther the trigger is depressed, the higher the speed of the drill.
- A forward/reverse control button (2) determines the direction of the tool and also serves as a lock off button.
- To select forward rotation, release the trigger switch and depress the forward/reverse control button to the left.
- To select reverse, depress the forward/reverse control button the opposite direction.

NOTE: The center position of the control button locks the tool in the off position. When changing the position of the control button, be sure the trigger is released.

DRILL / DRIVE MODE SELECT (FIGURE E)

This drill is equipped with mode select buttons (3) to quickly and easily change the performance of the tool to drilling or driving based upon your project.

- To set the tool to drive mode, press the button marked with the  symbol.
- To set the tool to drill mode, press the button marked with the  symbol.

NOTE: A blue LED will light the symbol for the mode that is selected.

STATE OF CHARGE INDICATOR (FIGURE E)

The drill is equipped with a state of charge indicator. This can be used to display the current level of charge in the battery during use. It does not indicate tool functionality and is subject to variation based on product components, temperature, and end-user application.

Checking state of charge during use:

- Insert the battery (5) into the tool as shown in **Figure B**.

- Press both mode select buttons (3) or depress the trigger switch (1).
- The four green LEDs will illuminate, indicating the percent of charge in the battery. If all four are lit, battery has a full charge. LEDs do not illuminate, charge battery.

NOTE: The state of charge LEDs will also light when the trigger is pulled to indicate the state of charge while the drill is in use.

SINGLE SLEEVE KEYLESS CHUCK (FIGURE F)

⚠ WARNING: Make certain the lock-off button is engaged to prevent switch actuation before installing or removing accessories.

To insert a drill bit or other accessory:

1. Grasp the handle of the drill with one hand and use your other hand to rotate the chuck (4) in the counterclockwise direction, as viewed from the chuck end.
2. Insert the bit or other accessory fully into the chuck, and tighten securely by holding the handle and rotating the chuck clockwise as viewed from the chuck end.

⚠ WARNING: Do not attempt to tighten drill bits (or any other accessory) by gripping the front part of the chuck and turning the tool on. Damage to the chuck and personal injury may occur when changing accessories.

ON BOARD BIT HOLDER (FIGURE G)

A screwdriver bit holder (8) is built into the area just above the battery pack.

LED WORK LIGHT (FIGURE G)

When the drill is activated by pulling the trigger switch (1), the integrated LED work light (9) will automatically illuminate the work area.

NOTE: The work light is for lighting the immediate work surface and is not intended to be used as a flashlight.

SCREW DRIVING

For driving fasteners, the reversing button should be pushed to the left. Use reverse (button pushed to the right) for removing fasteners. When moving from forward to reverse, or vice versa, always release the trigger switch first.

AUTOSENSE

This tool is equipped with AUTOSENSE technology that automatically stops most screws flush.

- Ensure the forward/reverse button (2) is pushed to the left and drive mode is selected (**Figure E**).
- Pull the trigger switch (1) to drive a screw into the workpiece and the tool will automatically stop when the screw is flush to the workpiece.
- If a deeper screw is desired, continue to hold the trigger switch. After a moment the drill will begin to

make short rotations to drive the screw deeper at a more controllable pace.

- Once the desired depth is reached, release the trigger switch.

NOTE: Similar to traditional drill/drivers – it is important to apply firm pressure to the back of the drill to ensure the screw bit doesn't slip out of the screw head. If the screw bit does slip out reinsert the screw bit and increase your pressure to the back of the tool.

NOTE: If the tool stops before the screw is flush to the work surface, release the trigger and depress it again to re-activate the AUTOSENSE Technology.

NOTE: AUTOSENSE Technology works with most material, but may not operate with certain materials or screws.

DRILLING

- Ensure the forward/reverse button (2) is pushed to the left and drill mode is selected (**Figure E**). AUTOSENSE will be deactivated.
- Use sharp drill bits only.
- Support and secure work properly, as instructed in the Safety Instructions.
- Use appropriate and required safety equipment, as instructed in the Safety Instructions.
- Secure and maintain work area, as instructed in the Safety Instructions.
- Run the drill very slowly, using light pressure, until the hole is started enough to keep the drill bit from slipping out of it.
- Apply pressure in a straight line with the bit. Use enough pressure to keep the bit biting but not so much as to stall the motor or deflect the bit.

⚠ WARNING: When this tool is in drill mode it may stall if overloaded, causing a sudden twist.

- **Hold the drill firmly with two hands to control its twisting action.**
- **DO NOT CLICK THE TRIGGER OF A STALLED DRILL OFF AND ON IN AN ATTEMPT TO START IT. DAMAGE TO THE DRILL CAN RESULT.**
- Minimize stalling on breakthrough by reducing pressure and slowly drilling through the last part of the hole.
- Keep the motor running while pulling the bit out of a drilled hole. This will help reduce jamming.
- **Make sure switch turns drill on and off.**

DRILLING IN WOOD

Holes in wood can be made with the same twist drill bits used for metal or with spade bits. These bits should be sharp and should be pulled out frequently when drilling to clear chips from the flutes.

DRILLING IN METAL

Use a cutting lubricant when drilling metals. The exceptions are cast iron and brass which should be drilled dry. The cutting lubricants that work best are sulfurized cutting oil or lard oil.

MAINTENANCE

Use only mild soap and damp cloth to clean the tool. Never let any liquid get inside the tool; never immerse any part of the tool into a liquid.

IMPORTANT: To assure product SAFETY and RELIABILITY, repairs, maintenance and adjustment (other than those listed in this manual) should be performed by authorized service centers or other qualified service personnel, always using identical replacement parts.

ACCESSORIES

Recommended accessories for use with your tool are available from your local dealer or authorized service center.

⚠ WARNING: The use of any accessory not recommended for use with this tool could be hazardous.

SERVICE INFORMATION

Black + Decker offers a full network of company-owned and authorized service locations throughout Asia. All Black + Decker Service Centers are staffed with trained personnel to provide customers with efficient and reliable power tool service. Whether you need technical advice, repair, or genuine factory replacement parts, contact the Black + Decker location nearest to you.

NOTES

- Black + Decker's policy is one of continuous improvement to our products and, as such, we reserve the right to change product specifications without prior notice.
- Standard equipment and accessories may vary by country.
- Product specifications may differ by country.
- Complete product range may not be available in all countries.

OBENG/BOR 18V LITHIUM AUTO01

Data teknis

AUTO01		
Voltase	V_{DC}	18
Kecepatan tanpa beban	Min^{-1}	0-800
Torsi maksimum (PTI Rating)	Nm	16/39
Kapasitas gagang gerak	mm	10
Kapasitas bor maksimum		
Baja/kayu	mm	10/25

Pengisi daya		AUTO01-TWZZ LCS1620	AUTO01-A9
Voltase Input	V_{AC}	100-240V	120V 220V
Voltase Ouput	V_{DC}	8-20V	8-20V 8-20V
Arus	mA	400	400 400
Kisaran waktu isi ulang daya	h	3-5	3-5 3-5

Baterai		BL1518
Voltase	V_{DC}	18
Kapasitas	Ah	1,5
Tipe		Li-Ion

PANDUAN KESELAMATAN - DEFINISI

Penting bagi Anda untuk membaca dan memahami buku petunjuk ini. Informasi yang terkandung di dalamnya berhubungan dengan perlindungan atas KESELAMATAN ANDA DAN PENCEGAHAN MASALAH. Simbol-simbol di bawah ini digunakan untuk membantu Anda memahami informasi ini.

⚠ BAHAYA: Mengindikasikan situasi berbahaya yang tak terelakkan, yang jika tidak dihindari, akan mengakibatkan kematian atau cedera berat.

⚠ PERINGATAN: Mengindikasikan situasi berbahaya yang berpotensi terjadi, yang jika tidak dihindari, dapat mengakibatkan kematian atau cedera berat.

⚠ PERHATIAN: Mengindikasikan situasi berbahaya yang berpotensi terjadi, yang jika tidak dihindari, dapat mengakibatkan cedera ringan atau sedang.

PEMBERITAHUAN: Jika digunakan tanpa simbol waspada keselamatan, mengindikasikan situasi berbahaya yang berpotensi terjadi, yang jika tidak dihindari, dapat mengakibatkan kerusakan barang.

ATURAN KESELAMATAN ALAT LISTRIK UMUM

⚠ PERINGATAN: Baca seluruh peringatan keselamatan dan seluruh petunjuk. Kegagalan untuk mengikuti peringatan dan instruksi dapat mengakibatkan sengatan listrik, kebakaran, dan/atau cedera berat.

SIMPAN SEMUA PERINGATAN DAN PETUNJUK UNTUK REFERENSI DI MASA MENDATANG

Istilah "alat listrik" dalam peringatan merujuk pada alat listrik beroperasi listrik induk (berkabel) atau alat listrik beroperasi baterai (nirkabel).

1) KESELAMATAN AREA KERJA

- Jaga agar area kerja tetap bersih dan terang. Area yang berantakan atau gelap berpotensi mengakibatkan kecelakaan.
- Janganoperasikan alat listrik di lingkungan yang dapat meledak, misalnya jika terdapat cairan, gas, atau debu yang mudah terbakar. Alat listrik menimbulkan percikan api yang dapat menyulut debu atau uap.
- Jauhkan anak-anak dan orang-orang di sekitar Anda saat mengoperasikan alat listrik. Gangguan dapat menyebabkan Anda kehilangan kendali.

2) KESELAMATAN KELISTRIKAN

- Steker alat listrik harus sesuai dengan stopkontak. Jangan pernah memodifikasi steker dengan cara apa pun. Jangan gunakan steker adaptor apa pun dengan alat listrik yang dibumikan (grounded). Steker yang tidak dimodifikasi dan stopkontak yang sesuai akan mengurangi risiko sengatan listrik.
- Jagalah agar badan Anda tidak bersentuhan dengan permukaan yang dibumikan, seperti pipa, radiator, kompor, dan kulkas. Risiko sengatan listrik dapat meningkat jika tubuh Anda bersentuhan dengan permukaan yang dibumikan.
- Jangan sampai alat listrik ini terkena hujan atau terpapar pada kondisi yang basah. Air yang masuk ke alat listrik akan meningkatkan risiko sengatan listrik.
- Jangan menyalahgunakan kabel. Jangan sekali-kali menggunakan kabel untuk membawa, menarik, atau mencabut alat listrik. Jauhkan kabel dari panas, minyak, tepi tajam, atau komponen yang bergerak. Kabel yang rusak atau terbelit meningkatkan risiko sengatan listrik.
- Bila mengoperasikan alat listrik di luar ruangan, gunakan kabel ekstensi yang sesuai untuk penggunaan di luar ruangan. Menggunakan kabel yang sesuai untuk penggunaan di luar ruangan akan mengurangi risiko sengatan listrik.
- Jika terpaksa mengoperasikan alat listrik di lokasi lembap, gunakan catu daya yang dilindungi pemutus sirkuit arus sisa (RCD). Penggunaan RCD akan mengurangi risiko sengatan listrik.

3) KESELAMATAN PRIBADI

- a) **Tetaplah waspada, perhatikan apa yang Anda tengah kerjakan dan gunakan akal sehat saat mengoperasikan alat listrik. Jangan mengoperasikan alat listrik bila Anda sedang lelah, atau berada di bawah pengaruh obat, alkohol, atau pengobatan.** Kelengahan sesaat saja saat mengoperasikan alat listrik dapat mengakibatkan cedera diri serius.
- b) **Gunakan peralatan pelindung diri. Selalu kenakan alat pelindung mata.** Peralatan pelindung, seperti masker debu, sepatu keselamatan antiselip, helm proyek, atau pelindung telinga yang digunakan untuk kondisi yang sesuai akan mengurangi risiko cedera diri.
- c) **Hindarkan menyalakan alat tanpa disengaja. Pastikan bahwa tombol sudah dalam posisi mati sebelum menghubungkannya ke sumber listrik dan/atau baterai, mengambil, atau membawa alat.** Membawa alat listrik dengan jari Anda masih menempel pada tombol atau menghidupkan alat listrik yang tombolnya masih menyala akan berpotensi mengakibatkan kecelakaan.
- d) **Lepaskan semua kunci setelan atau kunci pas sebelum menghidupkan alat listrik.** Kunci pas atau kunci yang dibiarkan terpasang pada komponen alat listrik yang berputar dapat mengakibatkan cedera diri.
- e) **Jangan melampaui batas. Selalu jaga pijakan dan keseimbangan yang baik.** Hal ini memungkinkan Anda untuk mengendalikan alat listrik secara lebih baik dalam situasi yang tidak terduga.
- f) **Kenakan pakaian yang sesuai. Jangan kenakan pakaian longgar atau perhiasan. Jauhkan rambut, pakaian dan sarung tangan dari komponen yang bergerak.** Pakaian yang longgar, perhiasan atau rambut panjang dapat tersangkut pada komponen yang bergerak.
- g) **Jika disediakan perangkat untuk sambungan fasilitas pengeluaran dan pengumpulan debu, pastikan perangkat ini dihubungkan dan digunakan dengan sesuai.** Penggunaan alat pengumpul debu dapat mengurangi bahaya yang ditimbulkan oleh debu.

4) PENGGUNAAN DAN PERAWATAN ALAT LISTRIK

- a) **Jangan menggunakan alat listrik dengan paksa. Gunakan alat listrik yang sesuai untuk aplikasi Anda.** Alat listrik yang tepat akan bekerja lebih baik dan aman pada tingkat kelajuan yang telah dirancang untuk alat itu.
- b) **Jangan gunakan alat listrik ini jika tombol tidak dapat menghidupkan dan mematikan alat.** Alat listrik apa pun yang tidak dapat dikendalikan dengan tombol adalah berbahaya dan harus diperbaiki.
- c) **Lepaskan stopkontak dari sumber listrik dan/atau baterai dari alat listrik sebelum melakukan penyetulan apa pun, mengganti aksesoris, atau menyimpan alat listrik.** Tindakan pencegahan

untuk keselamatan seperti itu akan mengurangi risiko menyalakan alat listrik secara tidak disengaja.

- d) **Simpan alat listrik yang tidak digunakan jauh dari jangkauan anak-anak, dan jangan membolehkan orang yang tidak memahami alat listrik atau petunjuk ini untuk mengoperasikannya.** Alat listrik dapat berbahaya bila digunakan oleh pengguna yang tidak terlatih.
- e) **Rawat alat listrik. Lakukan pemeriksaan untuk mengetahui apakah ada komponen bergerak yang tidak sejajar atau bengkok, komponen yang patah, dan kondisi lainnya yang dapat mempengaruhi pengoperasian alat listrik. Jika rusak, perbaiki alat listrik sebelum digunakan.** Banyak terjadi kecelakaan akibat alat listrik yang tidak terawat dengan baik.
- f) **Jaga ketajaman dan kebersihan alat pemotong.** Alat pemotong yang terawat dengan baik dengan mata potong yang tajam akan kecil kemungkinannya untuk macet serta lebih mudah untuk dikendalikan.
- g) **Gunakan alat listrik, aksesoris, dan mata bor, dsb. sesuai instruksi-instruksi ini, dengan memperhitungkan persyaratan kerja dan jenis pekerjaan yang harus dilakukan.** Penggunaan alat listrik untuk pengoperasian yang tidak sesuai dengan tujuan penggunaan dapat mengakibatkan situasi yang berbahaya.

5) PENGGUNAAN DAN PERAWATAN ALAT BATERAI

- a) **Isi ulang daya baterai hanya dengan pengisi daya yang ditetapkan oleh pabrik.** Pengisi daya yang cocok untuk satu tipe baterai dapat menimbulkan risiko kebakaran jika digunakan pada baterai lainnya.
- b) **Gunakan alat hanya dengan baterai yang ditunjukkan secara khusus.** Penggunaan baterai lainnya dapat menimbulkan risiko cedera dan kebakaran.
- c) **Bila tidak dipakai, jauhkan baterai dari benda logam seperti klip penjepit kertas, koin, kunci, paku, sekrup, atau benda logam kecil lainnya yang dapat menimbulkan hubungan listrik dari satu terminal ke terminal lainnya.** Menghubungkan kedua terminal baterai dengan kabel secara tidak semestinya dapat mengakibatkan luka bakar atau kebakaran.
- d) **Pemakaian yang salah bisa menyebabkan keluarnya cairan dari baterai; hindari kontak. Jika tidak sengaja tersentuh, bilas dengan air.** Jika cairan mengenai mata, carilah juga bantuan medis. Cairan yang keluar dari baterai dapat menyebabkan iritasi atau luka bakar.

6) SERVIS

- a) **Alat listrik sebaiknya diservis oleh teknisi yang mahir dan hanya menggunakan komponen pengganti yang persis sama.** Hal ini akan membuat keamanan alat listrik selalu terjaga.

ATURAN KESELAMATAN KHUSUS

- Pegang alat listrik pada permukaan pegangan berpenyekat saat melakukan pengoperasian di mana aksesoris pemotong dapat bersentuhan dengan kabel tersembunyi. Aksesoris pemotong yang bersentuhan dengan kabel bertegangan listrik dapat mengalirkan arus listrik pada komponen logam alat listrik dan mengakibatkan sengatan listrik pada pengguna.
- Gunakan pegangan tambahan, bila disertakan dengan alat ini. Lepasnya kendali dapat menimbulkan cedera diri.
- Gunakan penjepit atau cara praktis lain untuk mengencangkan dan menyangga benda kerja di permukaan yang stabil. Memegang benda dengan tangan atau disandarkan pada tubuh Anda akan membuatnya tidak stabil dan dapat mengakibatkan hilangnya kendali.
- Bila tidak sedang dipakai, tempatkan alat pada sisi sampingnya pada permukaan yang stabil agar tidak menyebabkan bahaya tersandung atau jatuh. Beberapa alat dengan baterai besar dapat berdiri tegak namun mudah tersenggol jatuh.
- Jauhkan rambut, pakaian dan sarung tangan dari ventilasi udara. Ventilasi udara sering menutupi bagian yang bergerak di mana benda-benda tersebut dapat terjebak.
- Pegang alat dengan erat dengan dua tangan, satu tangan pada pegangan dan satu tangan pada area baterai. Gunakan pegangan tambahan, jika tersedia. Lepasnya kendali dapat menimbulkan cedera diri.

⚠ PERINGATAN: Debu yang dihasilkan oleh pengampelasan, penggergajian, pengerindaan, pengeboran listrik, dan aktivitas konstruksi lainnya mengandung bahan kimia yang diketahui oleh Negara Bagian California dapat menyebabkan kanker, cacat lahir, atau bahaya reproduktif lainnya. Beberapa contoh bahan kimia ini adalah:

- timbal dari cat berbahan dasar timbal,
- silika kristalin dari batu bata dan semen, serta produk batuan lainnya, dan
- arsenik dan kromium dari kayu basah yang dipelakukan secara kimiawi.

Risiko dari paparan ini bervariasi, tergantung seberapa sering Anda melakukan jenis pekerjaan ini. Untuk mengurangi paparan terhadap bahan kimia ini: bekerjalah di area dengan ventilasi yang baik, dan bekerjalah menggunakan peralatan pelindung diri yang disetujui, seperti masker debu yang dirancang khusus untuk menyangkal partikel mikroskopis.

- Hindari kontak yang lama dengan debu dari pengampelasan, penggergajian, pengasahan, pengeboran, dan aktivitas konstruksi lain yang menggunakan daya listrik. Gunakan pakaian

pelindung dan cuci area yang terpapar dengan sabun dan air. Membiarkan debu masuk ke dalam mulut, mata, atau terkena kulit dapat mendorong penyerapan bahan kimia berbahaya.

KETERANGAN FUNGSIONAL

1. Sakelar kecepatan variabel
2. Tombol maju/mundur
3. Tombol pemilih mode
4. Gagang gerak lengan tunggal tanpa kunci
5. Baterai
6. Tombol pelepas baterai
7. Status indikator pengisi daya
8. Dudukan mata obeng
9. Lampu kerja LED

PETUNJUK KESELAMATAN PENTING UNTUK PENGISI DAYA BATERAI

SIMPAN PETUNJUK INI: Buku petunjuk ini mencantumkan petunjuk keselamatan penting untuk pengisi daya baterai.

- Sebelum menggunakan pengisi daya, baca seluruh petunjuk dan tanda peringatan pada pengisi daya, baterai, dan produk menggunakan baterai.

SIMBOL-SIMBOL

Label pada alat Anda dapat memuat simbol-simbol berikut ini. Simbol-simbol dan keterangannya adalah sebagai berikut:

- V volt
- A ampere
- Hz hertz
- W watt
- mnt.....menit
- ~ atau AC arus balik
- atau DC ... arus searah
- n₀ kecepatan tanpa beban
- ⚠ Konstruksi Kelas I (dibumikan)
- ⚡ terminal arde
- ⚠ simbol waspada keselamatan
- ☐ Konstruksi Kelas II (berisolasi ganda)
 - .../mnt atau rpm...putaran atau bolak-balik per menit
- 👤 Baca buku petunjuk sebelum penggunaan
- 👤 Gunakan pelindung pernapasan yang sesuai
- 👁 Gunakan pelindung mata yang sesuai
- 👂 Gunakan pelindung telinga yang sesuai

⚠ PERINGATAN: Bahaya sengatan listrik. Jaga agar tidak ada cairan masuk ke dalam pengisi daya.

⚠ PERHATIAN: Bahaya terbakar. Untuk mengurangi risiko cedera, hanya lakukan pengisian daya untuk baterai **Black + Decker** yang ditentukan. Jenis baterai lain dapat pecah, sehingga menyebabkan cedera diri dan kerusakan.

⚠ PERHATIAN: Dalam kondisi-kondisi tertentu, saat pengisi daya terhubung dengan catu daya, pengisi daya dapat korslet karena adanya benda asing. Benda-benda asing bersifat penghantar listrik semacam ini dapat berupa, namun tidak terbatas pada: serat baja, kertas aluminium, atau tumpukan partikel-partikel logam, yang semuanya harus dijauhkan dari rongga-rongga pengisi daya. Selalu cabut pengisi daya dari catu daya bilamana tidak ada baterai dalam rongga. Cabut pengisi daya sebelum membersihkannya.

⚠ PERINGATAN: JANGAN berusaha mengisi daya baterai dengan pengisi daya apa pun lainnya selain yang disebutkan dalam buku petunjuk ini. Pengisi daya dan baterai dirancang khusus untuk digunakan bersama.

- Pengisi daya ini tidak ditujukan untuk penggunaan lain di luar mengisi daya baterai **Black + Decker** yang dapat diisi daya ulang yang telah ditentukan. Penggunaan lain dapat mengakibatkan risiko kebakaran, sengatan listrik, atau kematian karena sengatan listrik.
- **Jangan paparkan pengisi daya pada hujan atau salju.**
- **Cabut steker, bukan kabel, pada saat melepas pengisi daya.** Ini akan mengurangi risiko kerusakan steker dan kabel listrik.
- **Pastikan letak kabel sudah aman agar tidak terinjak, menyebabkan tersandung, atau rentan rusak atau tertekan.**
- **Jangan gunakan kabel sambungan kecuali jika mutlak diperlukan.** Penggunaan kabel sambungan yang tidak tepat dapat mengakibatkan risiko kebakaran, sengatan listrik, atau kematian akibat sengatan listrik.
- **Kabel ekstensi harus memiliki ukuran kawat yang cukup (AWG atau American Wire Gauge) untuk keselamatan.** Semakin kecil jumlah pengukur kawat, semakin besar kapasitas kabelnya, yaitu 16 pengukur memiliki kapasitas lebih dari 18 pengukur. Saat menggunakan lebih dari satu ekstensi untuk membuat panjang total, pastikan setiap ekstensi memiliki setidaknya ukuran kawat minimum.
- **Jangan mengoperasikan pengisi daya dengan kabel atau steker yang rusak** — segera ganti.
- **Jangan gunakan pengisi daya apabila telah terhantam keras, jatuh, atau rusak dengan cara apa pun.** Bawa ke pusat layanan resmi.
- **Jangan bongkar pengisi daya;** bawa ke pusat layanan resmi bilamana membutuhkan servis atau reparasi. Perakitan ulang yang keliru dapat mengakibatkan risiko sengatan listrik, kematian akibat sengatan listrik, atau kebakaran.
- **Lepaskan pengisi daya dari stop kontak sebelum dibersihkan.** Ini akan mengurangi risiko sengatan listrik. Melepaskan baterai tidak dapat mengurangi risiko ini.
- **JANGAN PERNAH menghubungkan 2 pengisi daya.**
- **Pengisi daya ini dirancang untuk beroperasi pada daya listrik rumah tangga standar (120 Volt).** Jangan pernah gunakan pada voltase lain.

SIMPAN PETUNJUK-PETUNJUK INI PETUNJUK KESELAMATAN PENTING UNTUK BATERAI

⚠ PERINGATAN: Untuk operasi yang aman, baca buku petunjuk ini dan buku petunjuk yang sudah disertakan bersama alat sebelum menggunakan pengisi daya. Baterai tidak sepenuhnya terisi di luar karton. Sebelum menggunakan baterai dan pengisi baterai, baca petunjuk keselamatan di bawah ini. Kemudian ikuti prosedur pengisian daya yang dijelaskan.

BACA SELURUH PETUNJUK

- **Jangan bakar baterai sekalipun rusak parah atau aus sama sekali.** Baterai dapat meledak jika terbakar. Baterai yang dibakar akan menimbulkan asap dan material beracun.
- **Jangan mengisi daya atau menggunakan baterai di lingkungan yang mudah menimbulkan bahaya ledakan, seperti di tempat yang terdapat cairan, gas, atau debu yang mudah terbakar.** Memasukkan gas melepaskan baterai dari pengisi daya dapat membakar debu atau asap.
- **Jika isi baterai bersentuhan dengan kulit, segera cuci bagian yang terkena dengan sabun lembut dan air.** Apabila cairan baterai masuk ke mata, basuh mata terbuka dengan air mengalir selama 15 menit atau sampai iritasi berhenti. Jika dibutuhkan penanganan medis, elektrolit baterai untuk baterai Lithium-Ion tersusun atas campuran karbonat organik cair dan garam lithium.
- **Kandungan sel-sel baterai yang terbuka dapat mengakibatkan gangguan pernapasan.** Cari udara segar. Jika gejala tidak berubah, cari bantuan medis.
- **⚠ PERINGATAN: Bahaya terbakar.** Cairan baterai dapat terbakar jika terkena percikan api atau lidah api.
- **Isi daya baterai hanya menggunakan pengisi daya Black + Decker.**
- **JANGAN perciki atau rendam dengan air atau cairan lain.** Hal ini dapat menyebabkan kerusakan sel prematur.
- **Jangan simpan atau pakai alat dan baterai di lokasi di mana suhu dapat mencapai atau melebihi 105 °F (40 °C) (seperti di bangsal luar atau bangunan logam pada musim panas).**

⚠ PERINGATAN: Jangan pernah berusaha membuka baterai untuk alasan apa pun. Jika kotak baterai retak atau rusak, jangan masukkan ke dalam pengisi daya. Jangan meremukkan, menjatuhkan, atau merusakkan baterai. Jangan gunakan baterai atau pengisi daya yang sudah terhantam keras, jatuh, terlindas, atau rusak dengan cara apa pun (misalnya, tertembus paku, terpukul palu, terinjak). Baterai yang rusak harus dikembalikan ke pusat layanan untuk didaur ulang.

⚠ PERINGATAN: Bahaya kebakaran. Jangan simpan atau membawa baterai sehingga benda logam dapat bersentuhan dengan terminal baterai yang terbuka. Misalnya, jangan letakkan baterai di celemek, saku, kotak alat, kotak kit produk, laci, dsb., dengan kapak, sekrup, kunci yang longgar, dsb. Mengangkut baterai kemungkinan dapat menyebabkan kebakaran jika terminal baterai tak sengaja

bersentuhan dengan benda konduktif seperti kunci, uang koin, alat tangan, dan sebagainya. Peraturan Bahan Berbahaya (HMR) Departemen Transportasi AS benar-benar melarang mengangkut baterai dalam perdagangan atau di pesawat terbang (misalnya, dikemas dalam koper dan bagasi jinjing) KECUALI dilindungi secara tepat dari arus pendek. Jadi ketika mengangkut baterai, pastikan bahwa terminal baterai dilindungi dan diisolasi dengan baik dari material yang dapat bersentuhan dengannya dan menyebabkan arus pendek.
CATATAN: Baterai Lithium-Ion tidak boleh dimasukkan ke dalam bagasi.

SARAN PENYIMPANAN

1. Tempat penyimpanan terbaik adalah tempat yang sejuk dan kering, jauh dari sinar matahari langsung dan suhu panas atau dingin berlebihan.
2. Penyimpanan yang lama tidak akan merusak baterai atau pengisi daya.

PROSEDUR PENGISIAN DAYA

Pengisi daya **Black + Decker** dirancang untuk mengisi daya baterai **Black + Decker** dalam 3-5 jam tergantung baterai yang diisi dayanya.

1. Sambungkan pengisi daya pada stop kontak yang sesuai sebelum memasukkan baterai.
2. Masukkan baterai ke dalam pengisi daya seperti ditunjukkan pada **gambar A**.
3. LED hijau akan berkedip yang menunjukkan bahwa baterai sedang diisi dayanya.
4. LED hijau akan menyala terus menerus sebagai indikasi bahwa pengisian daya sudah selesai. Baterai sudah terisi penuh dan dapat digunakan sekarang, atau dibiarkan di dalam pengisi daya.

Isi ulang baterai yang habis sesegera setelah digunakan atau masa pakai baterai dapat sangat berkurang. Untuk masa pakai baterai yang paling lama, jangan biarkan daya baterai habis sepenuhnya. Disarankan agar baterai diisi ulang setelah setiap kali pemakaian.

MENINGGALKAN BATERAI DALAM PENGISI DAYA

Pengisi daya dan baterai dapat dibiarkan terhubung dengan lampu LED hijau menyala tanpa batas waktu. Pengisi daya akan menjaga baterai tetap dalam kondisi baik dan terisi penuh.

CATATAN PENGISIAN DAYA PENTING

1. Masa pakai terlama dan kinerja terbaik bisa didapatkan jika baterai diisi daya pada saat suhu udara sekitar 65°F dan 75°F (18° - 24°C). **JANGAN** mengisi daya baterai dalam suhu udara di bawah +40°F (+4,5°C), atau di atas +105°F (+40,5°C). Ini penting dan akan mencegah kerusakan parah pada baterai.
2. Pengisi daya dan baterai bisa menjadi hangat saat tersentuh ketika sedang mengisi daya. Kondisi ini normal dan tidak menunjukkan adanya masalah. Untuk memudahkan pendinginan baterai setelah digunakan, jangan menempatkan pengisi daya atau baterai dalam

lingkungan yang hangat seperti di gudang logam, atau trailer yang tidak berinsulasi.

3. Jika baterai tidak mengisi daya dengan benar:
 - a. Periksa arus pada stopkontak dengan mencolokkan lampu atau peralatan lainnya
 - b. Periksa apakah stopkontak terhubung ke sakelar lampu yang mematikan daya saat Anda mematikan lampu.
 - c. Pindahkan pengisi daya dan baterai ke lokasi dengan suhu udara sekitar antara 65 °F - 75 °F (18 ° - 24 °C).
 - d. Jika masalah pengisian daya masih berlanjut, bawa alat, baterai, dan pengisi daya ke pusat layanan lokal Anda.
4. Baterai harus diisi ulang saat gagal menghasilkan daya yang cukup pada pekerjaan yang mudah dilakukan sebelumnya. **JANGAN LANJUTKAN** menggunakan dengan kondisi-kondisi berikut. Ikuti prosedur pengisian daya. Anda juga dapat mengisi daya baterai yang digunakan sebagian kapan pun Anda mau dengan tanpa efek samping pada baterai.
5. Benda-benda asing bersifat penghantar listrik semacam ini dapat berupa, namun tidak terbatas pada: serat baja, kertas aluminium, atau tumpukan partikel-partikel logam, yang semuanya harus dijauhkan dari rongga-rongga pengisi daya. Selalu cabut pengisi daya dari catu daya bilamana tidak ada baterai dalam rongga. Cabut pengisi daya sebelum membersihkannya.
6. Jangan membekukan atau membenamkan pengisi daya dalam air atau cairan lain.

⚠ PERINGATAN: Bahaya sengatan listrik. Jaga agar tidak ada cairan masuk ke dalam pengisi daya. Jangan pernah berusaha membuka baterai untuk alasan apa pun. Jika wadah plastik baterai rusak atau retak, kembalikan ke pusat layanan untuk didaur ulang.

PERINGATAN DAN PETUNJUK KESELAMATAN: BOR

1. Pegang bor dengan kuat dengan satu tangan pada pegangan dan tangan satunya pada bagian bawah baterai.
2. Saat memasang aksesoris di gagang gerak, kencangkan gagang tanpa kunci dengan kuat menggunakan tangan.
⚠ PERINGATAN: Bor mungkin berhenti memutar (jika kelebihan beban atau digunakan dengan tidak benar). Selalu antisipasi macet. Pegang bor dengan kuat untuk mengendalikan kerja putar bor dan hindari hilangnya kendali yang dapat menyebabkan cedera. Jika bor berhenti memutar, segera lepaskan pemicu dan cari penyebab berhenti memutarnya bor sebelum memulai kembali.

MEMASANG DAN MELEPASKAN BATERAI DARI ALAT

⚠ PERINGATAN: Pastikan tombol pengunci diaktifkan untuk mencegah aktuasi sakelar sebelum melepas atau memasang baterai.

UNTUK MEMASANG BATERAI: Masukkan baterai (5) ke dalam alat sampai terdengar bunyi klik (**gambar B**).

Pastikan baterai benar-benar terpasang dan terkunci ke posisi.

UNTUK MELEPAS BATERAI: Tekan tombol pelepas (6) seperti pada **gambar C** dan tarik baterai dari alat.



PETUNJUK PENGOPERASIAN SAKELAR PEMICU & TOMBOL PEMBALIK (GAMBAR D)

- Bor MATI dan MENYALA dengan menarik dan melepaskan sakelar pemacu (1). Makin dalam pemacu ditekan, makin cepat kecepatan bormya.
- Tombol kendali maju/mundur (2) menentukan arah alat dan juga berfungsi sebagai tombol pengunci.
- Untuk memilih rotasi maju, lepaskan sakelar pemacu dan tekan tombol kendali maju/mundur ke kiri.
- Untuk memilih rotasi mundur, tekan tombol kendali maju/mundur ke arah berkebalikan.

CATATAN: Posisi tengah tombol kendali mengunci alat dalam posisi mati. Saat mengubah posisi tombol kendali, pastikan bahwa pemacu sudah dilepaskan.

PILIHAN MODE BOR/MENGOBENG (GAMBAR E)

Bor ini dilengkapi tombol pemilih mode (3) untuk mengubah kinerja alat ini dengan cepat dan mudah untuk pengeboran atau pengobengan berdasarkan proyek Anda.

- Untuk mengatur alat ke mode pengobengan, tekan tombol yang ditandai dengan simbol .
- Untuk mengatur alat ke mode pengeboran, tekan tombol yang ditandai dengan simbol .

CATATAN: Sebuah LED berwarna biru akan menyalakan simbol untuk mode yang dipilih.

STATUS INDIKATOR PENGISI DAYA (GAMBAR E)

Bor ini dilengkapi status indikator pengisi daya. Status ini dapat digunakan untuk menampilkan tingkat pengisian daya saat ini dalam baterai saat digunakan. Status ini tidak menunjukkan fungsionalitas alat dan bisa bervariasi berdasarkan komponen produk, suhu, dan aplikasi pengguna akhir.

Memeriksa status pengisian daya selama penggunaan:

- Masukkan baterai (5) ke dalam alat seperti ditunjukkan pada **Gambar A**.
- Tekan tombol pemilih mode (3) atau tekan sakelar pemacu (1).
- Empat LED berwarna hijau akan menyala, yang menunjukkan persentase pengisian daya baterai. Jika keempatnya menyala, baterai sudah terisi penuh. LED tidak menyala, isilah daya baterai.

CATATAN: Status LED pengisian daya juga akan menyala ketika pemacu ditarik untuk menunjukkan status pengisian daya sementara bor sedang digunakan.

GAGANG GEREK LENGAN TUNGGAL TANPA KUNCI (GAMBAR F)

⚠ PERINGATAN: Pastikan tombol pengunci diaktifkan untuk mencegah aktuasi sakelar sebelum memasang atau melepas aksesori.

Untuk memasukkan mata bor atau aksesori lainnya:

1. Pegang pegangan bor dengan satu tangan dan gunakan tangan lainnya untuk memutar gagang gerak (4) berlawanan dengan arah jarum jam sebagaimana dilihat dari ujung gagang gerak.
2. Masukkan mata bor atau aksesori lainnya sepenuhnya ke gagang gerak, lalu kencangkan dengan memegang pegangan dan memutar gagang gerak searah jarum jam sebagaimana dilihat dari ujung gagang gerak.

⚠ PERINGATAN: Jangan pernah mengencangkan mata bor (atau aksesori apa pun) dengan cara memegang erat bagian depan gagang gerak dan menyalakan alat. Mengganti aksesori dengan cara seperti ini dapat mengakibatkan kerusakan pada gagang gerak dan cedera diri.

DI DUDUKAN UJUNG PAPAN (GAMBAR G)

Dudukan mata obeng (8) dimasukkan ke dalam area persis di atas baterai.

LAMPU KERJA LED (GAMBAR G)

Ketika bor diaktifkan dengan menarik sakelar pemacu (1), lampu kerja LED yang terintegrasi (9) akan menerangi area kerja secara otomatis.

CATATAN: Lampu kerja dirancang untuk menerangi permukaan benda yang sedang dikerjakan dan tidak ditujukan untuk penggunaan sebagai lampu sorot.

MENGOBENG

Untuk menggerakkan pengencang, tombol pembalik harus didorong ke kiri. Gunakan pembalik (tombol yang didorong ke kanan) untuk melepaskan pengencang. Ketika pindah dari maju ke mundur, atau sebaliknya, selalu lepaskan sakelar pemacu terlebih dahulu.

AUTOSENSE

Alat ini dilengkapi teknologi AUTOSENSE yang secara otomatis menghentikan sebagian besar sekrup menggelinding.

- Pastikan tombol maju/mundur (2) ditekan ke kiri dan mode pengobengan dipilih (**Gambar E**).
- Tarik sakelar pemacu (1) untuk mengobeng sekrup ke benda kerja dan alat akan secara otomatis berhenti bila sekrup menggelinding ke benda kerja.
- Jika menginginkan sekrup yang lebih dalam, terus memegang sakelar pemacu. Setelah beberapa saat, bor akan mulai membuat rotasi pendek untuk mendorong sekrup lebih dalam dengan kecepatan yang lebih terkendali.
- Setelah kedalaman yang diinginkan tercapai, lepaskan sakelar pemacu.

CATATAN: Sama dengan bor/obeng tradisional - menerapkan tekanan kuat pada bagian belakang bor untuk memastikan mata sekrup tidak keluar dari kepala sekrup sangatlah penting. Jika mata sekrup tidak keluar, masukkan kembali mata sekrup tersebut dan tingkatkan tekanan ke bagian belakang alat.

CATATAN: Jika alat berhenti sebelum sekrup menggelinding ke permukaan kerja, lepaskan pemicu dan tekan sekali lagi untuk mengaktifkan kembali Teknologi AUTOSENSE.

CATATAN: TEKNOLOGI AUTOSENSE bekerja dengan sebagian besar material, tetapi tidak dapat beroperasi dengan material atau sekrup tertentu.

MENGEBOR

- Pastikan tombol maju/mundur (2) ditekan ke kiri dan mode pengeboran dipilih (**Gambar E**). AUTOSENSE akan dimatikan.
- Gunakan hanya mata bor yang tajam.
- Sangga dan kencangkan material kerja dengan benar, sebagaimana dijelaskan dalam Petunjuk Keselamatan.
- Gunakan peralatan keselamatan yang tepat dan diperlukan, sebagaimana dijelaskan dalam Petunjuk Keselamatan.
- Amankan dan jaga area kerja, sebagaimana dijelaskan dalam Petunjuk Keselamatan.
- Jalankan bor dengan sangat lambat, menggunakan tekanan ringan, hingga lubang mulai cukup menjaga mata bor tetap meluncur melewati lubang itu.
- Selalu beri penekanan dalam garis lurus dengan mata bor. Gunakan cukup tekanan untuk menjaga agar mata bor tidak melenceng, namun jangan terlalu kuat sampai motor macet atau mata bor rusak.

⚠ PERINGATAN: Ketika alat ini dalam mode bor, alat ini dapat macet jika kelebihan beban, sehingga menyebabkan putaran yang tiba-tiba.

- Pegang bor dengan erat menggunakan dua tangan untuk mengendalikan kerja putarannya.
- JANGAN MENGEKLIK Pemicu BERULANG KALI UNTUK BERUSAHA MENYALAKAN BOR YANG MACET. INI DAPAT MENYEBABKAN KERUSAKAN PADA BOR.
- Minimalkan risiko kemacetan melalui terobosan dengan mengurangi tekanan dan mengebor secara perlahan melalui bagian terakhir dari lubang.
- Tetap jalankan motor saat menarik mata bor keluar dari lubang yang dibor. Ini akan membantu mengurangi kemacetan.
- Pastikan sakelar menyala dan mematikan bor.

MENGEBOR KAYU

Lubang di kayu dapat dibuat dengan mata bor ulir yang sama yang digunakan untuk logam atau dengan mata bor yang berujung lebar. Mata bor ini harus tajam dan harus sering ditarik keluar saat pengeboran untuk membersihkan serpihan dari galur.

MENGEBOR LOGAM

Gunakan pelumas pemotong saat mengebor logam. Kecuali untuk besi tuangan dan kuningan yang harus dibor kering. Pelumas pemotongan yang bekerja paling baik adalah minyak pemotongan atau minyak lemak babi yang diberi belerang.

PEMELIHARAAN

Cukup gunakan sabun lembut dan kain yang agak basah untuk membersihkan alat. Jangan sampai bagian dalam alat kemasukan air; jangan pernah rendam komponen alat dalam cairan.

PENTING: Untuk memastikan KESELAMATAN DAN KEANDALAN produk, reparasi, pemeliharaan, dan penyesuaian (di luar yang tercantum dalam buku petunjuk ini) harus dikerjakan oleh pusat layanan resmi atau pihak servis lain yang memenuhi syarat, dengan selalu menggunakan komponen pengganti yang persis sama.

AKSESORI

Aksesori yang disarankan untuk digunakan dengan alat Anda tersedia dari diler setempat atau pusat layanan resmi Anda.

⚠ PERINGATAN: Penggunaan aksesori apa pun yang tidak direkomendasikan untuk digunakan dengan alat ini dapat berbahaya.

INFORMASI SERVIS

Black + Decker menawarkan jaringan lengkap lokasi layanan milik perusahaan dan resmi di seluruh Asia. Semua Pusat Layanan Black + Decker memiliki personel terlatih untuk menyediakan layanan alat listrik yang efisien dan dapat diandalkan oleh pelanggan. Jika Anda membutuhkan nasihat teknis, perbaikan, atau penggantian komponen pabrik asli, hubungi kantor Black + Decker yang terdekat dengan Anda.

CATATAN

- Black + Decker memiliki kebijakan untuk terus meningkatkan produk dan karenanya, kami berhak mengubah spesifikasi produk tanpa pemberitahuan sebelumnya.
- Perlengkapan dan aksesori standar mungkin akan berbeda menurut negara.
- Spesifikasi produk mungkin akan berbeda menurut negara.
- Pilihan produk lengkap mungkin tidak tersedia di semua negara.

18 伏锂电钻/起子 AUTO01

技术数据

AUTO01		
电压	伏特 (直流)	18
空载转速	转/分	0-800
最大扭矩 (PTI Rating)	牛米	16/39
夹头尺寸	毫米	10
最大钻孔能力		
钢材/木材	毫米	10/25

充电器	AUTO01- TWZZ LCS1620		AUTO01-A9	
输入电压	伏特 (交流)	100-240V	120V	220V
输出电压	伏特 (直流)	8-20V	8-20V	8-20V
电流	毫安	400	400	400
大约充电时间	小时	3-5	3-5	3-5

电池		BL1518
电压	伏特 (直流)	18
电池容量	安时	1.5
型号		锂离子

定义：安全准则

下列定义描述了各标志术语的严重程度。请仔细阅读本手册，并注意这些标志。

⚠ 危险：表示紧急的危险情形，如不加以避免，将导致死亡或严重伤害。

⚠ 警告：表示存在潜在的危险情况，如果不加以避免，可能导致死亡或严重伤害。

⚠ 警示：表示存在潜在危险情况，如果不加以避免，可能导致轻度或中度伤害。

注意：表示存在不涉及人身伤害的情况，如果不加以避免，可能导致财产损失。

电动工具通用安全警告

⚠ 警告！ 阅读所有警告和所有说明。不遵照以下警告和说明会导致电击、着火和/或严重伤害。

保存所有警告和说明书以备查阅。

在所有下列的警告中术语“电动工具”指市电驱动（有线）电动工具或电池驱动（无线）电动工具。

a) 工作场地的安全

- 1) 保持工作场地清洁和明亮。混乱和黑暗的场地会引发事故。
- 2) 不要在易爆环境，如有易燃液体、气体或粉尘的环境下操作电动工具。电动工具产生的火花会点燃粉尘或气体。
- 3) 让儿童和旁观者离开后操作电动工具。注意力不集中会使你失去对工具的控制。

b) 电气安全

- 1) 电动工具插头必须与插座相配。绝不能以任何方式改装插头。需接地的电动工具不能使用任何转换插头。未经改装的插头和相配的插座将减少电击危险。
- 2) 避免人体接触接地表面，如管道、散热片和冰箱。如果你身体接地会增加电击危险。
- 3) 不得将电动工具暴露在雨中或潮湿环境中。水进入电动工具将增加电击危险。
- 4) 不得滥用电线。绝不用电线搬运、拉动电动工具或拔出其插头。使电线远离热源、油、锐边或运动部件。受损或缠绕的软线会增加电击危险。
- 5) 当在户外使用电动工具时，使用适合户外使用的外接软线。适合户外使用的软线将减少电击危险。
- 6) 如果在潮湿环境下操作电动工具是不可避免的，应使用剩余电流动作保护器（RCD）。使用RCD可减小电击危险。

c) 人身安全

- 1) 保持警觉，当操作电动工具时关注所从事的操作并保持清醒。当你感到疲倦，或在有药物、酒精或治疗反应时，不要操作电

动工具。在操作电动工具时瞬间的疏忽会导致严重人身伤害。

- 2) 使用个人防护装置。始终佩戴护目镜。安全装置，诸如适当条件下使用防尘面具、防滑安全鞋、安全帽、听力防护等装置能减少人身伤害。
- 3) 防止意外启动。确保开关在连接电源和/或电池组、拿起或搬运工具时处于关断位置。手指放在已接通电源的开关上或开关处于接通时插入插头可能会导致危险。
- 4) 在电动工具接通之前，拿掉所有调节钥匙或扳手。遗留在电动工具旋转零件上的扳手或钥匙会导致人身伤害。
- 5) 手不要伸展得太长。时刻注意立足点和身体平衡。这样在意外情况下能很好地控制电动工具。
- 6) 着装适当。不要穿宽松衣服或佩戴饰品。让你的衣服、手套和头发远离运动部件。宽松衣服、佩饰或长发可能会卷入运动部件中。
- 7) 如果提供了与排屑、集尘设备连接用的装置，要确保他们连接完好且使用得当。使用这些装置可减少尘屑引起的危险。

d) 电动工具使用和注意事项

- 1) 不要滥用电动工具，根据用途使用适当的电动工具。选用适当设计的电动工具会使你工作更有效、更安全。
- 2) 如果开关不能接通或关断工具电源，则不能使用该电动工具。不能用开关来控制的电动工具是危险的且必须进行修理。
- 3) 在进行任何调节、更换附件或贮存电动工具之前，必须从电源上拔掉插头和/或使电池组与工具脱开。这种防护性措施将减少工具意外起动的危险。
- 4) 将闲置不用的电动工具贮存在儿童所及范围之外，并且不要让不熟悉电动工具或对这些说明不了解的人操作电动工具。电动工具在未经培训的用户手中是危险的。
- 5) 保养电动工具。检查运动件是否调整到位或卡住，检查零件破损情况和影响电动工具运行的其他状况。如有损坏，电动工具应在使用前修理好。许多事故由维护不良的电动工具引发。

- 6) 保持切削刀具锋利和清洁。保养良好的有锋利切削刃的刀具不易卡住而且容易控制。
- 7) 按照使用说明书，考虑作业条件和进行的作业来使用电动工具、附件和工具的刀头等。将电动工具用于那些与其用途不符的操作可能会导致危险。

e) 电池式工具使用和注意事项：

- 1) 只用制造商规定的充电器充电。将适用于某种电池盒的充电器用到其他电池盒时会发生着火危险。
- 2) 只有在配有专用电池盒的情况下才使用电动工具。使用其他电池盒会发生损坏和着火危险。
- 3) 当电池盒不用时，将它远离其他金属物体，例如回形针、硬币、钥匙、钉子、螺钉或其他小金属物体，以防一端与另一端连接。电池端部短路会引起燃烧或火灾。
- 4) 在滥用条件下，液体会从电池中溅出，避免接触。如果意外碰到了，用水冲洗。如果液体碰到了眼睛，还要寻求医疗帮助。从电池中溅出的液体会发生腐蚀或燃烧。

f) 维修

- 1) 让专业维修人员使用相同的备件维修电动工具。这将保证所维修的电动工具的安全。

安全细则

- 在切削附件可能触及暗线之处进行操作时，要通过绝缘握持面来握持电动工具。切削附件碰到带电导线会使工具外露的金属零件带电从而使操作者受到电击。
- 使用工具随附的辅助手柄（如有）。操作失控会引起人身伤害。
- 使用夹具或其他可行方法来固定和支撑工件，将其固定到稳定的平台上。手持或用身体顶住工件都是不稳定的，会导致操作失控。
- 不用时，将工具侧放在平稳的表面上，确保不会有踢绊或掉落的风险。一些具有大型电池组的工具可以直立但可能会轻易被撞倒。
- 让您的头发、衣服和手套远离通风口。通风口通常会盖住运动部件，可能会绞住头发、衣服和手套。

- 用双手稳固握持工具，一只手握住手柄，另一只手握住底部电池周围。使用工具的副手柄（如有）。操作失控会引起人身伤害。

⚠ 警告：电动砂光、锯切、磨削、钻孔及其他建筑活动会产生一些包含化学物质的灰尘，这些化学物质已知会在加利福尼亚州导致癌症、出生缺陷或其他生殖损伤。这些化学物质包括：

- 含铅油漆中的铅，
- 砖块、水泥和其他砖石产品中的石英，以及
- 经过化学处理的木材中的砷和铬。

暴露在这些化学物质下给您带来的风险可能有所不同，这取决于您做这类工作的频繁程度。为减少您对这些化学物质的接触：请在通风良好的区域工作，并穿戴经批准的防护装备，例如专为过滤微粒而设计的防尘面具。

- 避免长时间接触与电动砂光、锯切、磨削、钻孔及其他建筑活动产生的粉尘。身穿防护服，用肥皂和水清洗暴露在粉尘下的区域。粉尘进入嘴巴、眼睛或接触皮肤可能会导致人体吸收有害的化学物质。

功能说明

1. 变速开关
2. 正/反转按钮
3. 模式选择按钮
4. 无锁匙单套夹头
5. 电池
6. 电池释放按钮
7. 充电状态指示灯
8. 批头夹持器
9. LED 工作灯

适用电池充电器的重要安全说明

请妥善保管好这些说明：本手册包含有关电池充电器的重要安全说明。

- 在使用充电器之前，请先阅读所有说明以及充电器、电池组和使用电池组的产品上的警示标识。

符号

您的工具上可能包含下列符号。这些符号和定义如下所示：

V.....	伏特
A	安培
Hz	赫兹
W	瓦特
min.....	分钟
~或 AC.....	交流电
==或 DC ...	直流电
n ₀	空载转速
Ⓛ.....	I 级结构（接地）
Ⓜ.....	接地终端
⚠.....	安全警告标识
Ⓜ.....	II 级结构（双重绝缘）
	.../min 或 rpm...每分钟
	旋转或往复次数
📖.....	使用前请阅读 使用手册
👤.....	请使用适当的呼吸保护装置
👁.....	请使用适当的眼部保护装置
👂.....	请使用适当的听力保护装置

⚠ 警告：触电危险。请勿让任何液体渗入充电器。

⚠ 警告：灼伤危险。为降低人身伤害风险，只能使用指定的 **Black + Decker** 电池充电。使用其它类型的电池可能会引起爆裂，并导致人身伤害和损害。

⚠ 警告：在某些情况下，充电器连接到电源时，充电器可能因为外来物件而短路。请勿让能导电的外来物件靠近充电器腔，这些外来物件包括但不限于钢棉、铝箔或任何金属颗粒的堆积物。充电器内没有电池组时，请断开充电器与电源的连接。清洗前，务必拔掉充电器。

⚠ 警告：请勿使用本手册指定充电器以外的任何充电器为电池组充电。充电器和电池组都是专门设计的，互相配合使用。

- 除了为 **Black + Decker** 充电式电池充电以外，这些充电器不能用于其他任何用途。否则，可能会导致火灾、触电或电击。
- 请勿将充电器暴露于雨中或雪中。

- 断开充电器连接时，应拔下插头，切勿拉拽电源线。这将降低对电插头和电线的损害风险。
- 请确保电线的位置不会被踩踏、令人绊倒或引起其他方式的损坏或受压。
- 不得使用延长电源线，除非有绝对的必要。使用不正确的延长电源线可能导致火灾、触电或电击的风险。
- 延长线的尺寸必须适合（AWG 或美国线规）以确保安全。电缆的线规编号越小，载流量越大，例如 16 号比 18 号电缆的载流量大。使用两段以上延长线以达到总长度时，确保每一段延长线都至少包含最小尺寸电缆。
- 禁止使用电源线或插头已损坏的充电器。请立即更换已损坏的充电器。
- 如果充电器受到强烈重击、掉落或出现其他损坏情况，请勿使用充电器。将它送往授权服务中心。
- 请勿拆卸充电器；需要检修或维修时，请送往授权服务中心。重装不正确可能导致触电、电击或火灾风险。
- 清洁前，请先断开充电器和插座的连接，以降低触电风险。取出电池组不会降低触电风险。
- 严禁尝试将两个充电器连接在一起。
- 充电器额定电压是标准家用电压（120 伏）。请勿试图在任何其他电压下使用充电器。

请妥善保管好这些说明 适用电池组的重要安全说明

△警告：为了安全操作，请在使用充电器之前阅读本手册和工具随附的手册。
包装箱内的电池组并未完全充电。使用电池组和充电器之前，请阅读下列安全指示，然后遵循所述的充电程序。

请阅读所有说明

- 即使电池组严重受损或完全损坏，也不要焚化电池组。电池组在火中会发生爆炸。电池组在燃烧时会释放有毒烟雾和物质。
- 请勿在易爆环境，如有易燃液体、气体或粉尘的环境中充电或使用电池。在充电器中插入或取出电池时可能会点燃粉尘或气体。
- 如果电池液体接触到皮肤，请立即以中性肥皂

和清水冲洗接触的地方。如果电池液体不慎进入眼睛，应睁开眼睛并用清水冲洗至少 15 分钟或直到刺激感消失。如果需要医疗救助，请告知医护人员。锂离子电池的电解质由液状有机碳酸盐和锂盐的混合物组成。

- 已打开电池的内部物质可能导致呼吸道刺激。请转移至新鲜空气处。如果症状持续存在，请就医。

△警告：灼伤危险。电池液如果接触到火花或火焰可能会燃烧。

- 只使用 **Black + Decker** 充电器为电池组充电。
- 请勿喷溅电池组或将其浸泡在水或其他液体中。这可能会导致电池过早失效。
- 请勿在温度可能达到或超过 105°F (40°C) 的地方（如夏天户外的棚子或金属建筑物中）存储或使用工具和电池组。

△警告：切勿以任何理由试图打开电池组。电池组外壳破裂或损坏时，请勿将电池组插入充电器。不要挤压、掉落或损坏电池组。请勿使用受过强烈重击、掉落、碾压或以任何其它方式（如被钉子穿破、受到锤子的重击、踩踏）受损的电池组或充电器。损坏的电池组应送返服务中心再循环利用。

△警告：火灾危险。请勿在存储或搬运电池时让金属物品接触暴露的电池两极。例如，请勿将电池放在围裙、口袋、工具箱、产品套件盒、抽屉等可能与散钉、螺丝、钥匙等物品接触的地方。
电池运输途中，如果电池两极意外接触钥匙、硬币、手持工具等导电材料，可能会引发火灾。美国交通部危险品规程 (HMR) 禁止运输商用电池或空运电池（即装在手提箱和随身行李中），除非已经过适当的短路防护处理。运输单个电池时，务必保护电池两极，确保与可能接触电池导致短路的材料良好绝缘。注：锂离子电池不应放在托运行李中。

存放建议

1. 最好将电池存放在阴凉、干燥、远离阳光直射、不会过热或过冷的地方。
2. 长期储存不会损害电池组或充电器。

充电程序

Black + Decker 设计用于为 **Black + Decker** 电池组充电，充电时间为 3-5 小时，视电池组而定。

1. 放进电池组前，先将充电器的插头插到相应的电源插座上。
2. 将电池组插入充电器，如图 A 所示。
3. 绿色 LED 灯将会闪烁，表示电池正在充电。
4. 绿色 LED 灯持续亮起表示充电完成。此时电池组已完全充电，您可以使用电池组或将电池组留在充电器中。

电池用过之后应尽快充电，否则电池使用寿命可能大幅缩短。要获得最长的电池使用寿命，请勿将电池完全放电。建议在每次使用后重新为电池充电。

将电池留在充电器中

充电器可以和电池组长期连接，此时绿色 LED 指示灯常亮。充电器会减少电池损耗，保持电量充满。

重要充电说明

1. 在空气温度为 65°F - 75°F (18°C - 24°C) 的环境中充电可以达到最长的电池组使用寿命和最佳效能。请勿在空气温度低于 +40°F (+4.5°C) 或高于 +105°F (+40.5°C) 的情况下为电池组充电。这很重要，可以防止电池组严重受损。
2. 充电时，充电器和电池组表面温度可能升高。这是正常现象，并不表示出现问题。要在使用后加快电池组冷却速度，应避免将充电器或电池组放在金属棚或绝缘拖车等温度较高的地方。
3. 如果电池组没有正常充电：
 - a. 在插座中插入灯具或其它电器的插头，以检查插座中是否有电流
 - b. 检查插座是否与灯具开关相连接，关闭灯具开关时会切断电源。
 - c. 将充电器和电池组移至周围空气温度

约为 65°F - 75°F (18°C - 24°C) 的地方。

- d. 如果充电问题仍然存在，请将工具、电池组和充电器送往当地服务中心。
4. 当电池组无法像从前一样为作业轻松提供足够的电量时，必须进行充电。在这些情况下请勿继续使用。请遵循充电程序。您可以为已消耗部分电量的电池组充电，这不会对电池组造成不良影响。
 5. 请勿让能导电的外来物件靠近充电器腔，这些外来物件包括但不限于钢棉、铝箔或任何金属颗粒的堆积物。充电器内没有电池组时，请断开充电器与电源的连接。清洗前，务必拔掉充电器。
 6. 请勿冻结充电器或将充电器浸泡在水或任何其他液体中。

⚠警告：触电危险。请勿让任何液体渗入充电器。切勿以任何理由试图打开电池组。如果电池组的塑料外壳破损或裂开，请送回服务中心再循环利用。

安全警告和说明：电钻

1. 一只手握住手柄，另一只手握住电池组底部，稳固握紧电钻。
2. 在电钻夹头安装配件时，用手扭紧自紧式夹头。

⚠警告：电钻可能失速（如果过载或不当使用）而导致扭曲。务必预计是否会发生失速。双手紧握电钻以控制扭转动作，并预防可能会造成人身伤害的失控。如果真的发生失速，立即松开触发开关并在重新启动之前确定失速原因。

插入或取出工具上的电池组

⚠警告：安装或拆卸电池前，请确保锁定按钮已闭合以避免开关启动。

安装电池组：将电池 (5) 插入工具直到听到咔嚓声 (图 B)。确保放好电池组并完全锁定到位。

移除电池组：请按下电池释放按钮 (6)，如图 C 所示，然后将电池组从工具中拉出。



触发开关和反转按钮 (图 D)

- 电钻通过按下和松开触发开关 (1) 开启和关闭。触发开关按得越深，钻孔速度就越快。
- 正/反转控制按钮 (2) 可确定工具方向，并可作为锁定按钮使用。
- 若要选择正向旋转，请松开触发开关，然后将正/反转控制按钮拨到左边。
- 要选择反向旋转，请向相反方向按下正/反转控制按钮。

注：控制按钮的中心位置会将工具锁定在关闭位置。改变控制按钮的位置时，确保触发开关处于松开状态。

钻孔/螺旋模式选择 (图 E)

本电钻配备模式选择按钮 (3)，可快速轻松地变更工具性能以适应钻孔或螺旋操作。

- 要将工具设置为螺旋模式，请按下带有  符号的按钮。
- 要将工具设置为钻孔模式，请按下带有  符号的按钮。

注：所选模式符号的蓝色 LED 灯将亮起。

充电状态指示灯 (图 E)

本电钻配备充电状态指示灯。指示灯可用于指示使用中的电池的当前电量。它并不表示该工具的功能性能，且将根据产品组件、温度和最终用户的使用情况而有所不同。

在使用中检查电池电量：

- 将电池 (5) 插入工具，如图 B 所示。
- 按下两个模式选择按钮 (3) 或按下触发开关 (1)。
- 四个绿色 LED 灯将亮起，指示电池的当前电量。如果四个灯都亮起，则电池电量为充满状态。如果 LED 灯没有亮起，则需要为电池充电。

注：如果将开关按压到指示电量状态，即使电钻正在使用，指示电量的 LED 灯也会亮起。

无锁匙单套夹头 (图 F)

警告：安装或拆卸附件前，请确保锁定按钮已闭合以避免开关启动。

要插入钻头或其他附件：

1. 以一只手握住电钻手柄，另一只手以逆时针方向（从夹头末端看）旋转夹头 (4)。

2. 将钻头或其他附件完全插入夹头，然后握住手柄并以顺时针方向（从夹头末端看）旋转夹头，将附件拧紧。

警告：不要尝试通过握住夹头前端和打开工具来拧紧钻头（或任何其它配件）。更换附件时可能会导致夹头损坏和人身伤害。

嵌入式钻头夹持器 (图 G)

批头夹持器 (8) 内嵌在电池组的上方区域。

LED 工作灯 (图 G)

通过按下触发开关 (1) 启动电钻时，集成的 LED 工作灯 (9) 会自动亮起，照亮工作区域。

注：工作灯是用于照亮紧邻的工作表面，不能当做手电筒使用。

螺旋模式

要拧紧紧固件，应将反转按钮拨到左边。要拧松紧固件，则将反转按钮拨到右边。转换方向时，必须先松开触发开关。

自动感知

本工具采用自动感知技术，可在大多数螺丝与工作面齐平时自动停止。

- 确保正/反转按钮 (2) 拨到左边并选择螺旋模式 (图 E)。
- 按下触发开关 (1)，将螺丝拧入工件，螺丝和工件齐平时，工具会自动停止。
- 如果需要将螺丝拧得更深，则继续握住触发开关。稍候电钻会开始短程旋转，以更易于控制的速度将螺丝拧得更深。
- 将螺丝拧到所需的深度后，松开触发开关。

注：和传统电钻/起子相似，需要在电钻背部施加稳定的压力以确保螺丝钻头不会从螺丝头中滑出，这一点很重要。如果螺丝钻头滑出，请重新插入螺丝钻头，并加大施加在工具背部的压力。

注：如果工具在螺丝与工作表面齐平前停止，则松开触发开关，然后重新按下以启动自动感知技术。

注：自动感知技术适用于大多数材料，但对某些特定材料和螺丝可能不适用。

钻孔

- 确保正/反转按钮 (2) 拨到左边并选择钻孔模式 (图 E)。自动感知将被禁用。
- 只使用锋利的钻头。
- 依照安全指示, 适当地支撑和固定工件。
- 依照安全指示, 使用适当、必要的安全设备。
- 依照安全指示, 固定和维护工作区域。
- 慢慢地让电钻运转, 轻轻地施压, 直到所钻的洞不会让钻头滑出为止。
- 用力方向与钻头成一直线。请施加足够大的压力, 保证钻头钻进所需, 但不要大到马达失速或钻头倾斜。

⚠ 警告: 工具处于钻孔模式时, 如果过载, 电钻可能会失速, 从而导致突然扭转。

- 请双手紧握电钻, 控制电钻的扭转动作。
- 请勿试图通过按下、松开触发开关来启动失速的电钻, 否则会损坏电钻。
- 减轻压力并慢慢钻过洞的底部, 以便将失速穿透的可能性降至最低。
- 从成孔中拉出钻头时, 请保持马达运转。这样有助于避免钻头卡住。
- 确保开关可以将电钻启动和关闭。

在木材上钻孔

木材钻孔可以使用和钢材钻孔一样的麻花钻头或扁钻头。钻头应锋利, 且在钻孔时应经常拔出钻头来清理钻屑。

在金属材料上钻孔

在金属上钻孔时, 请使用切削润滑剂。但铸铁和黄铜材料例外, 应干钻。效果最佳的切削润滑剂是硫化切割油或猪油。

维护

只使用温和的肥皂和湿布清洁本工具。切勿让任何液体渗入工具, 切勿让工具的任何部件浸在液体中。

警告: 为了确保产品安全可靠, 所有修理、维护和调节工作 (除了本手册中列出的以外) 都必须由授权的服务中心或其他合格机构执行, 并始终使用相同的替换部件。

附件

建议与本工具配套使用的附件可从当地经销商处或授权服务中心另行购买。

⚠ 警告: 使用任何不建议与本工具配合使用的附件会导致危险。

服务信息

Black + Decker 的公司直属和授权服务点网络覆盖整个亚洲。所有 Black + Decker 服务中心都具有训练有素的人员, 为客户提供高效和可靠的电动工具服务。不论您是需要技术建议、维修或原厂替换部件, 均可联系最靠近您的 Black & Decker 服务点。

备注

- Black + Decker 的政策是持续改进我们的产品, 因此, 我们保留随时更改产品规格的权利, 恕不另行通知。
- 标准设备和附件可能会因国家 (地区) 而异。
- 不同国家 (地区) 的产品规格也可能会有所不同。
- 并非所有的国家 (地区) 都可提供完整的产品系列。

18V 鋰電智能電鑽起子機 AUTO01

技術資料

AUTO01		
電壓	V_{DC}	18
空載轉速	Min^{-1}	0-800
最大扭矩 (PTI Rating)	Nm	16/39
夾頭尺寸	mm	10
最大鑽孔效能		
鋼材/木材	mm	10/25

充電器		AUTO01- TWZZ LCS1620	AUTO01-A9
輸入電壓	V_{AC}	100-240V	120V 220V
輸出電壓	V_{DC}	8-20V	8-20V 8-20V
電流	mA	400	400 400
大約充電時間	h	3-5	3-5 3-5

電池		BL1518
電壓	V_{DC}	18
電池容量	Ah	1.5
類型		鋰離子電池

安全指南 - 定義

請務必閱讀並理解本手冊。其所含資訊關於保護您的安全及預防問題。以下符號用於幫助您識別此資訊。

⚠ 危險：表示緊急危險情況，若未能避免，將導致死亡或嚴重傷害。

⚠ 警告：表示潛在危險情況，若未能避免，可能導致死亡或嚴重傷害。

⚠ 小心：表示潛在危險情況，若未能避免，可能導致輕微或中度傷害。

注意：不參照安全警告符號使用產品會構成潛在危險情況，若未能避免，可能導致財產損害。

電動工具一般安全警告

⚠ 警告：請閱讀安全警告及所有指示。不遵循這些警告和指示可能會導致觸電、火災及/或嚴重傷害。

請妥善保存所有的警告和使用手冊以備將來查閱。

警告中的名詞「電動工具」是指電源驅動（插電）電動工具，或者電池驅動（充電）電動工具。

1) 工作場地安全

- 保持工作場地清潔和明亮。混亂或黑暗的場地會引發事故。
- 不要在易爆環境，如有易燃液體、氣體或粉塵的環境中操作電動工具。電動工具產生的火花會點燃塵埃或氣體。
- 請等待兒童和旁觀者離開之後才操作電動工具。分心會導致您疏於控制。

2) 電氣安全

- 電動工具插頭必須與插座相符。切勿以任何方式改裝插頭。需接地的電動工具不能使用任何配接器插頭。未經改裝的插頭和相符的插座可以減少觸電危險。
- 避免人體接觸接地表面，如管道、散熱片、爐灶和冰箱。若您的身體接地，可增加觸電危險。
- 不得將電動工具暴露在雨中或潮濕環境中。水進入電動工具會增加觸電危險。
- 切勿濫用電線。請勿使用電線來搬運、拉動電動工具或拔出插頭。讓電線遠離熱、油、銳邊和活動部件。受損或纏繞的電線會增加觸電危險。
- 若要在戶外使用電動工具，請使用適合戶外使用的延長電線。使用適合戶外使用的電線可減少觸電危險。
- 若必須在潮濕場合使用電動工具，請使用漏電保護器 (RCD)。使用 RCD 可降低觸電危險。

3) 人身安全

- 保持警覺；在操作電動工具時，請留意所執行的操作並按照一般的程式執行。切勿

在疲倦，或受到藥物、酒精或治療的影響下操作電動工具。操作電動工具期間注意力分散會導致嚴重人身傷害。

- b) 使用個人防護裝置。始終佩戴護目裝備。防護裝置，例如在適當條件下可使用的防塵面具、防滑安全鞋、安全帽或聽力保護等裝置可減少人身傷害。
- c) 避免意外啟動。連接電源及/或電池組、舉抬或搬運電動工具之前，請確定開關處於關閉位置。搬運電動工具時若將手指放在開關上，或是在接通開關電源時插入插頭都會引發危險。
- d) 接通電動工具之前，請卸下所有的調整鑰匙或扳手。遺留在電動工具旋轉部件上的扳手或鑰匙會導致人身傷害。
- e) 不要過度伸張雙手。時刻注意腳下和身體的平衡。如此即可在發生意外的情況下更好地控制電動工具。
- f) 適當穿著。不要穿寬鬆衣服或佩戴飾品。讓您的頭髮、衣服和手套遠離活動部件。寬鬆衣服、佩飾或長髮可能會捲入活動部件。
- g) 若配備用於連接排屑裝置、集塵設備的裝置，請確定正確連接和使用這些裝置。使用集塵設備可減少與粉塵有關的危險。

4) 電動工具的使用與維護

- a) 請勿超負荷使用電動工具。根據您的用途使用適當的電動工具。使用適當的電動工具，讓它在設計可負荷的應用內運轉，會讓您更有效、更安全地執行工作。
- b) 若開關不能開 或關閉電源，請勿使用該電動工具。不能用開關來控制的電動工具將存在危險，必須進行維修。
- c) 在執行任何調整、更換配件或儲存電動工具之前，必須從電源上拔掉插頭及/或卸下電池組。這類防護性措施可降低電動工具意外啟動的風險。
- d) 將閒置的電動工具儲存在兒童無法接觸的地方，並且不要讓不熟悉電動工具或對這些說明不瞭解的人員操作電動工具。電動工具在未經培訓的使用者手中會發生危險。

- e) 維護電動工具。檢查活動部件是否對準或卡住、破損情況以及是否存在影響電動工具運行的其他情況。若有損毀，必須在使用之前修理電動工具。許多事故都是由於電動工具欠缺維護所導致。
- f) 保持刀具鋒利和清潔。妥善維護、切削鋒利的切割工具不會輕易卡住並可更輕鬆控制。
- g) 遵循說明以及工作條件和所要執行的工作使用電動工具、配件和工具鑽頭等。不按設計目使用電動工具將會導致危險。

5) 電池工具的使用與注意事項

- a) 只能使用製造廠商指定的充電器為電池充電。使用僅適合一種電池組的充電器為其他類型的電池組充電會導致火災危險。
- b) 請使用原廠的電動工具電池組。使用其他非原廠的電池組會導致人身傷害和火災危險。
- c) 不使用電池組時，請將其遠離如迴紋針、硬幣、鑰匙、釘子、螺絲以及其他可連通電池兩極的金屬物品。將電池兩極短路會導致灼傷或火災。
- d) 濫用電池的情況下，液體會從電池中噴出；避免與液體接觸。若不小心接觸液體，請用清水沖洗。若液體噴濺到眼睛上，沖洗之後還要進行治療。從電池噴出的液體會刺激皮膚或造成灼傷。

6) 維修

- a) 本電動工具必須由合格的維修人員並只採用相同的原廠部件來執行檢修。這將確保電動工具的安全性。

特定安全規則

- 若在執行操作時切削配件可能會接觸隱藏的電線，請從絕緣手柄表面握住電動工具。若切削配件接觸到「帶電」導線，電動工具金屬部件表面就會「帶電」，從而導致操作人員觸電。
- 請使用工具隨附的輔助手柄。工具失控會導致人身傷害。

- 使用夾具或採取其他可行的方法，將工件固定、支撐到穩定的平台上。手持工件或用身體抵住工件會使工件不穩定並可能導致失控。
- 不使用工具時，請將工具放在穩定的表面上，以免導致絆倒或墜落等危險。一些具有大型電池組的工具可以直立但可能會輕易被撞倒。
- 讓您的頭髮、衣服和手套遠離通風口。通風口處通常覆蓋有活動部件，活動部件會將前述物件捲入其中。
- 請用雙手握住，一隻手握握手柄，另一隻手握緊底部電池區域。如有提供，請使用輔助手柄。工具失控會導致人身傷害。

⚠ 警告：加州認定，電動砂光、切鋸、打磨、鑽孔以及其他建造操作所導致的粉塵會導致癌症、生育缺陷或其他生殖傷害。這些化學物質的某些範例包括：

- 來自含鉛油漆的鉛，
- 來自磚石及水泥與其他建工產品的結晶二氧化矽，以及
- 來自化學處理木材的砷和鉻。

這些暴露產生的風險根據您做這類工作的頻率而定。為減少您對這些化學物質的接觸：請在通風性好的區域工作，以及使用經認證的安全設備，例如經特別設計用於過濾微粒的防護面具。

- 避免與電動砂光、切鋸、打磨、鑽孔以及其他建造操作所導致的粉塵長時間接觸。身穿防護服，用肥皂和水將所接觸到的區域清洗乾淨。別讓粉塵進入或接觸到您的嘴巴、眼睛或皮膚！您的身體可能會吸收到有害的化學物質。

功能說明

1. 變速開關
2. 正/反轉按鈕
3. 模式選擇按鈕
4. 快速夾頭
5. 電池
6. 電池釋放按鈕
7. 充電狀態指示燈
8. 螺絲起子鑽頭夾持器
9. LED 工作燈

電池充電器重要安全指示

請妥善保管這些說明：本手冊提供電池充電器的重要安全指示。

- 在使用充電器之前，請先閱讀所有指示以及充電器、電池組和使用電池組的產品上的警告標記。

符號

您的工具上可能包含下列符號。符號及其定義如下：

V	伏特
A	安培
Hz	赫茲
W	瓦特
min	分鐘
~	或 AC 交流電
—	或 DC 直流電
n ₀	空載轉速
⚡	I 級結構（接地）
⊕	接地終端
⚠	安全警告符號
⊞	II 級結構（雙重絕緣）
/min 或 rpm...	每分鐘旋轉或往復次數
📖	使用前請閱讀使用手冊。
👤	使用合適的呼吸保護裝置
👁	使用合適的護目鏡
👂	使用合適的聽力保護裝備

⚠ 警告：觸電危險。切勿讓任何液體進入充電器。

⚠ 小心：燒傷危險。為了減低受傷風險，只可以使用 **Black + Decker** 專用的電池。其他非原廠電池可能會爆裂，導致人身傷害和損害。

⚠ 小心：在某些情況下，充電器連接到電源後，充電觸頭會被異物導致短路。導電的異物，包括但不限於鋼絲絨、鋁箔紙或任何由金屬粒子組成的物件，必須要遠離充電器範圍。充電器裡沒有電池組時，一定要拔掉充電器的電源。請先拔掉電源插頭後再清潔充電器。

△警告：切勿嘗試使用本說明書沒有提到的充電器替電池組充電。充電器和電池組是為了一同使用而特別設計。

- 除了為 Black + Decker 的專用電池充電之外，這些充電器不可以用於其他用途。否則可能會導致火災、觸電或觸電致死。
- 切勿把充電器暴露在雨、雪之中。
- 中斷充電器的電源時，請拔除插頭而非拉扯電線。這樣會減低電源插頭和電線損壞的風險。
- 請確保電線的位置不會被踐踏、令人絆倒或引起其他方式的損壞或受壓。
- 除非絕對需要，否則請勿使用延長電線。使用不適當的延長電線會引起火災、觸電或觸電致死。
- 為保安全，延長電線必須具備足夠的導線尺寸 (AWG 或美國線規)。導線的線規數字越小，電線的承載電流能力越高，即 16 號線規比 18 號線規的承載電流能力高。若要使用多於一條延長電線補足長度，請確保每條延長電線至少達到最小的導線尺寸。
- 切勿操作電線或插頭損壞的充電器 — 請立即更換損壞的部分。
- 如果充電器受到重擊、墜落或出現其他損壞情況，請勿使用充電器，並拿到授權維修中心修理。
- 切勿自行拆卸充電器。需要維護或修理時，請拿到授權維修中心。重新組裝不當可能會導致觸電、觸電致死或火災。
- 在清潔之前，請將充電器的插頭從電源插座上拔掉，這樣可以減低觸電風險。拆除電池組並不能夠降低這種風險。
- 切勿試圖將 2 個充電器連接在一起。
- 充電器是為標準家用電源 (120 伏特) 而設計。切勿試圖使用其他電壓。

請保存這些安全指示 電池組重要安全指示

△警告：為確保安全操作，使用充電器前請先閱讀本手冊和工具隨附的手冊。
包裝內的電池組並未完全充電。在使用電池組和

充電器之前，請先閱讀以下安全指示，並遵循所列的充電程序。

請閱讀所有指示

- 即使電池組已嚴重損毀或磨損，請勿焚燒電池組。電池組可能會在火中爆炸。焚燒電池組時會產生有毒氣體和物質。
- 不要在易燃環境，如有易燃液體、氣體或粉塵的環境中進行充電或使用電池。將電池組放進充電器或拆除電池可能會點燃粉塵或氣體。
- 如果電池液體接觸到皮膚，請立即以中性肥皂和清水沖洗接觸範圍。若電池液進入眼睛，立即用清水沖洗 15 分鐘或直到刺激消失。如果需要接受治療，鋰離子電池的電解質由液化有機碳酸鹽和鋰鹽構成。
- 開啟的電池中的物質可能會導致刺激呼吸道。請轉移至空氣流通處。如果症狀持續，請尋求醫療救助。
- △警告：燒傷危險。電池液如遇到火花或火焰可能會引起燃燒。
- 請僅使用 Black + Decker 充電器為電池組充電。
- 請勿將水份或其他液體飛濺到電池組或將電池組浸沒。這可能會導致電池壽命減短。
- 請勿在溫度可能達到或超過 105°F (40°C) 的地方儲存或使用本工具和電池組 (例如夏季時沒有遮擋的地方或金屬建築物)。

△警告：不論是因為任何理由，都不要嘗試打開電池。如果電池組的外殼破裂或損毀，請勿放進充電器。切勿撞擊、摔落或損毀電池組。切勿使用受到重擊、墜落或出現其他損壞情況的電池組或充電器 (例如釘子刺穿、以錘子敲打或踐踏)。損毀的電池組應該送回維修中心進行回收。

△警告：火災危險。切勿在儲存或搬運電池時讓金屬物件接觸暴露的電池兩極。例如，不要將電池放在帶有鬆動的釘子、螺絲、鑰匙等的地方 (如圍裙、口袋、工具箱、產品包裝箱、抽屜等)。搬運電池時若電池兩極意外接觸導電材料 (如鑰匙、硬幣、手持工具等)，可能會引起火災。美國交通部危險品法規 (HMR) 禁止運輸商用

電池或空運電池（例如裝在手提箱和隨身行李中），除非已經過適當的短路防護處理。因此運輸單個電池時，請確保電池兩級受到保護並與可能接觸兩級並導致短路的材料隔絕。**註：鋰離子電池不應放在託運行李中。**

儲存建議

1. 乾燥、涼爽、太陽不會直接照射、不會過熱或過冷的地方，就是電池組的最佳存放地點。
2. 長期存放不會對電池組或充電器造成損害。

充電程序

Black + Decker 專用於為 **Black + Decker** 電池組充電，充電時間為 3-5 小時，具體視充電的電池組而定。

1. 放進電池組前，先將充電器的插頭插到適當的插座。
2. 將電池組插入充電器，如圖 A 所示。
3. 綠色 LED 等將會閃爍，指示電池正在充電。
4. 當綠色 LED 燈持續亮起時，代表充電完成。這個時候，電池組的電力全滿，可以立即使用或是留在充電器裡。

電池放電後應盡快充電，否則電池使用壽命可能大幅縮短。要獲得最長的電池使用壽命，請勿將電池完全放電。建議每次使用後為電池充電。

將電池留在充電器中

充電器和電池組可以在綠色 LED 燈亮起的情況下無限期地保持連接。充電器會為電池組充滿電，保持電池電量充足。

重要充電說明

1. 在空氣溫度介於 65°F 至 75°F (18° - 24°C) 之間的環境中充電可以達到最長的使用壽命和最佳的效能。請勿在空氣溫度低於 +40°F (+4.5°C) 或高於 +105°F (+40.5°C) 的環境中對電源組充電。這很重要，可以防止對電源組造成嚴重損壞。
2. 充電器和電池組在充電時可能會變熱。這是正常現象，並不代表出現任何問題。使用後，為了加速電池組冷卻，請不要將充電器或電池組置於高溫環境中，例如金屬貨棚或非絕緣的拖車。
3. 如果電源組沒有正常充電：

- a. 在插座中插入燈具或其他電器的插頭，以檢查插座中是否有電流。
 - b. 檢查插座是否與燈具開關相連接，如果連接，燈具開關在關閉燈具時會切斷電源。
 - c. 將充電器和電源組移至空氣溫度約為 65°F - 75°F (18° - 24°C) 的環境中。
 - d. 如果問題仍然存在，請將工具、電源組和充電器送到當地的維修中心。
4. 當電池組無法像從前一樣為作業輕鬆提供足夠的電量時，應該對其充電。在此類情況下且勿繼續使用，請按充電程序進行充電。如有需要，您還可對已使用部分電量的電池組進行充電，這對電池組不會有任何不良影響。
 5. 導電的異物，包括但不限於鋼絲絨、鋁箔紙或任何由金屬粒子組成的物件，必須要遠離充電器範圍。充電器裡沒有電池組時，一定要拔掉充電器的電源。請先拔掉電源插頭後再清潔充電器。
 6. 切勿冷凍充電器，或將充電器浸在水中或任何其他液體中。

△ 警告：觸電危險。切勿讓任何液體進入充電器。不論是因為任何理由，都不要嘗試打開電池。如果電池組的塑膠外殼破損或裂開，請送回維修中心進行回收。

安全警告與說明：電鑽

1. 一隻手握住手柄，另一隻手握住電池組底部，穩固地握持電鑽。
2. 在電鑽夾頭中安裝配件時，用手扭緊無鑰匙夾頭。

△ 警告：電鑽可能失速（如果超載或不當使用）而導致出現扭轉動作。請保持警覺，並隨時有失速的心理準備。雙手緊握電鑽以控制扭轉動作，並預防可能會造成人身傷害的失控。如果真的發生失速，立即鬆開觸發器並在重新啟動之前確定失速原因。

電池組安裝與拆卸

△ 警告：卸下或安裝電池組之前，請確保鎖止按鈕已接合，以防止開關啟動。

若需安裝電池組：將電池 (5) 插入工具直到聽到卡嗒聲（圖 B）。確保放好電池組並完全鎖定位。

若要移除電池組：如圖 C 所示，按下電池釋放按鈕 (6) 並從工具中取下電池組。

操作說明

觸發開關和反轉按鈕 (圖 D)

- 電鑽透過拉動和鬆開觸發開關 (1) 來開啟和關閉。愈用力擠壓觸發開關，電鑽便會以愈快的速度運轉。
- 正/反轉控制按鈕 (2) 決定工具的方向，同時具備鎖定關閉功能。
- 若要選擇正轉，請鬆開觸發開關，然後按下正/反轉控制按鈕到左側。
- 若要選擇反轉，請向相反方向按下正/反轉控制按鈕。

註：當控制按鈕處於中心位置時，工具會被鎖定在關閉位置。要改變控制按鈕的位置時，請確保觸發器已經鬆開。

鑽孔/螺旋模式選擇 (圖 E)

本電鑽配備模式選擇按鈕 (3)，可根據作業的情況快速輕鬆地將工具作業轉變為鑽孔或螺旋操作。

- 若要將工具設為螺旋模式，請按下帶有 ↴ 符號的按鈕。
- 若要將工具設為鑽孔模式，請按下帶有 ⚙ 符號的按鈕。

註：所選模式符號的藍色 LED 燈將亮起。

充電狀態指示燈 (圖 E)

電鑽配有一個充電狀態指示燈。指示燈可用於指示電池在使用期間的當前電量。它並不指示工具功能，且根據工具組件、溫度和最終使用者的應用而有所不同。

檢查使用期間的電量水平：

- 將電池 (5) 插入工具，如圖 B 所示。
- 同時按下兩個模式選擇按鈕 (3) 或按下觸發開關 (1)。
- 四個綠色 LED 燈將會亮起，以指示電池的電量百分比。若四個燈都亮起，表示電池完全充滿。若 LED 燈沒有亮起，請為電池充電。

註：當按壓觸發開關以指示電量狀態時，即使電鑽正在使用，電量狀態 LED 燈也會亮起。

快速夾頭 (圖 F)

⚠ **警告：**安裝或卸下附件之前，請確保鎖止按鈕

已接合，以防止開關啟動。

若要插入鑽頭或其他附件：

1. 以一隻手握住電鑽手柄，另一隻手以逆時針方向（從夾頭末端看）旋轉夾頭 (4)。
2. 將鑽頭或其他附件完全插入夾頭，然後握住手柄並以順時針方向（從夾頭末端看）旋轉夾頭，將附件擰緊。

⚠ **警告：**不要嘗試透過握住夾頭前部並啟動工具來擰緊鑽頭（或任何其它附件）。更換附件時可能會導致夾頭損壞和人身傷害。

嵌入式鑽頭夾持器 (圖 G)

螺絲起子鑽頭夾持器 (8) 內嵌在電池組的上方區域。

LED 工作燈 (圖 G)

擠壓觸發開關 (1) 啟動電鑽時，集成的 LED 工作燈 (9) 會自動為工作區提供照明。

註：工作燈用於照亮緊鄰的工作表面，而不是設計作為手電筒使用。

螺絲螺旋操作

若要擰緊緊固件，應將反轉按鈕撥到左邊。若要擰鬆緊固件，則將反轉按鈕撥到右邊。由正轉向反轉移動時，一定要先鬆開觸發開關，反之亦然。

智能感應科技

本工具採用智能感應科技，可在大多數螺絲旋入齊平時自動停下來。

- 確保正/反轉按鈕 (2) 撥到左邊並選擇螺旋模式 (圖 E)。
- 按壓觸發開關 (1)，將螺絲擰入工件，當螺絲和工件齊平時，工具會自動停止。
- 如需將螺絲擰得更深，則繼續握住觸發開關。稍候電鑽會開始短程旋轉，以更易於控制的速度將螺釘擰得更深。
- 一旦達到所需的深度，釋放觸發開關。

註：和傳統電鑽/起子相似，需要在電鑽後部施加穩定的壓力以確保螺絲鑽頭不會從螺頭中滑出，這一點很重要。若螺絲鑽頭滑出，請重新插入螺絲鑽頭，並加大在工具後部施加的壓力。

註：若工具在螺絲與工件表面齊平前停止，則鬆開觸發開關，然後再次按下以重啟智能感應科技。

註：智能感應科技適用於大多數材料，但對某些特定材料和螺絲可能不適用。

鑽孔

- 確保正/反轉按鈕 (2) 撥到左邊並選擇鑽孔模式 (圖 E)。智能感應科技將會停用。
- 請僅使用鋒利的鑽頭。
- 依照安全說明，適當地支撐和固定工件。
- 依照安全說明，使用適當、必要的安全設備。
- 依照安全說明，固定和維護工作場地。
- 慢慢地讓電鑽運轉，輕輕地施壓，直到所鑽的孔足以讓鑽頭滑出為止。
- 以與鑽頭方向成一直線的方式施加壓力。使用足夠的壓力讓鑽頭持續穿透，但不要太用力以致讓電動機失速或鑽頭偏斜。

⚠警告：工具處於鑽孔模式時，如果過載，電鑽可能會失速，導致突然旋轉。

- **雙手緊握電鑽以控制電鑽的扭轉動作。**
- 不要按下又鬆開失速電鑽的觸發器以試圖啟動它，否則可能會導致電鑽損壞。
- 減輕施加的壓力並慢慢鑽穿孔的最後部分，以便將穿透失速的可能性降至最低。
- 從成孔中拉出鑽頭時，請保持電機運轉。這有助於減少卡死情況。
- **確定開關可以將電鑽啟動和關閉。**

在木材上鑽孔

木材鑽孔可以使用和鋼材鑽孔一樣的麻花鑽頭或扁鑽頭。這些鑽頭應保持鋒利，且在鑽孔時應經常拔出鑽頭來清理鑽屑。

在金屬上鑽孔

在金屬上鑽孔時使用切割潤滑劑。鑄鐵和黃銅是例外，它們應保持乾燥而直接鑽孔。效果最佳的切割潤滑劑是硫化切割油或豬油。

維護

請僅使用中性肥皂和濕布清洗工具。不要讓任何液體進入工具；不要讓工具的任何部分浸入液體中。

重要指示：為了確保產品安全及可靠，所有的維修、維護和調整（除了本手冊中列出的之外），

都應該由授權的維修中心或合格維修人員執行，並始終使用相同的替換部件。

配件

您可透過當地代理商或授權維修中心獲取與本工具配合使用的推薦附件。

⚠警告：使用任何不建議與本工具配合使用的附件會導致危險。

維修資訊

Black + Decker 提供覆蓋整個亞洲的公司隸屬和授權維修點。所有的 Black + Decker 服務中心都具有訓練有素的人員，為客戶提供高效和可靠的電動工具維修。不論您是需要技術建議、維修或原廠替換部件，請聯絡離您最近的 Black + Decker 維修點。

備註

- Black + Decker 的政策是持續改善我們的產品，因此，我們保留隨時變更產品規格的權利，恕不另行通知。
- 標準裝置和配件可能會根據不同的國家/地區而有所不同。
- 產品規格可能會根據不同的國家而有所不同。
- 並非所有的國家/地區都將提供完整的產品系列。

經銷商: 特力股份有限公司

地址: 台北市內湖區新湖三路23號1.2.5樓

電話: 0800-552888

進口/委製廠商: 新加坡商百得電動工具(股)公司台灣分公司

地址: 台北市北投區裕民路120號4樓

電話: 02-2820-1065

18V LITHIUM 드릴/드라이버 AUTO01

기술 데이터

AUTO01		
전압	V_{DC}	18
무부하 속도	분 ⁻¹	0-800
최대 토크 (PTI Rating)	Nm	16/39
척 크기	mm	10
최대 드릴 용량		
금속/목재	mm	10/25

충전기		AUTO01-TWZZ LCS1620	AUTO01-A9	AUTO01-KR
입력 전압	V_{AC}	100-240V	120V	220V
출력 전압	V_{DC}	8-20V	8-20V	8-20V
전류	mA	400	400	400
예상 충전 시간		3-5h	3-5h	45min

배터리		
전압	V_{DC}	18
용량	Ah	1.5
종류		리튬 이온

안전 지침 - 정의

본 사용 설명서를 반드시 읽고 숙지하십시오. 본 사용 설명서에는 사용자의 안전과 사고 방지를 위한 정보가 수록되어 있습니다. 아래 기호는 이 정보를 쉽게 알아볼 수 있도록 하기 위한 것입니다.

⚠ 위험: 절박한 위험 상태를 나타내며, 방지하지 않으면 사망 또는 심각한 부상을 초래합니다.

⚠ 경고: 잠재적 위험 상태를 나타내며, 방지하지 않으면 사망 또는 심각한 부상을 초래할 수 있습니다.

⚠ 주의: 잠재적으로 위험한 상태를 나타내며, 방지하지 않으면 경미하거나 가벼운 부상을 초래할 수 있습니다.

참고: 안전 경고 기호 없이 사용될 경우 잠재적으로 위험한 상태를 나타내며, 방지하지 않으면 재산상의 손해가 발생할 수 있습니다.

전동 공구에 관한 일반 안전

⚠ 경고: 안전 경고와 지시사항을 모두 읽으십시오. 경고와 지시 사항을 준수하지 않으면 감전, 화재 및/또는 심각한 부상을 초래할 수 있습니다.

향후 참고할 수 있도록 모든 경고 및 지시 사항을 보관해두십시오.

경고에서 사용된 "전동 공구"라는 용어는 주 공급 전원에 의해 전기가 공급되는(유선) 전동 공구 또는 충전식(무선) 전동 공구를 의미합니다.

1) 작업장 안전

- 작업 영역을 청결하고 밝게 유지하십시오.**
혼잡하거나 어두운 작업장에서는 사고가 발생하기 쉽습니다.
- 가연성 액체, 가스 또는 먼지 등 폭발 가능성이 있는 환경에서 전동 공구를 사용하지 마십시오.** 전동 공구에서 먼지나 가스를 발화시킬 수 있는 불꽃이 될 수 있습니다.
- 전공 공구를 사용하는 동안에는 어린이와 주변 사람들이 가까이 오지 못하게 하십시오.** 주변이 산만해져 통제력을 잃을 수 있습니다.

2) 전기 안전

- 전동 공구의 플러그는 콘센트와 형식이 일치해야 합니다.** 플러그를 어떤 방식으로든 절대 개조하지 마십시오. 접지된(지면 접지) 전동 공구에 어떤 어댑터 플러그도 사용하지 마십시오. 개조되지 않은 플러그 및 형식이 일치하는 콘센트를 사용하면 감전 위험이 줄어듭니다.
- 파이프, 라디에이터, 렌지 및 냉장고 등과 같이 접지된 표면에 몸이 닿지 않도록 하십시오.** 신체가 접지되어 있으면 감전 위험이 높아집니다.
- 전동 공구를 비 또는 습한 환경에 노출하지 않도록 주의하십시오.** 전동 공구에 물이 들어가면 감전 위험이 높아집니다.
- 코드를 함부로 다루지 마십시오.** 코드를 사용하여 전동 공구를 운반하거나 잡아당기거나 플러그를 뽑지 마십시오. 열, 오일, 날카로운 모서리 또는 움직이는 부품에서 멀리 떨어진 장소에 코드를 보관하십시오. 코드가 손상되거나 얽혀 있으면 감전 위험이 높아집니다.

- e) **전동 공구를 실외에서 사용할 때는 실외 사용에 적합한 연장 코드를 사용하십시오.** 실외 사용에 적합한 코드를 사용하면 감전 위험이 줄어듭니다.
- f) **어쩔 수 없이 습한 장소에서 전동 공구를 사용해야 하는 경우에는 누전 차단기(RCD)로 보호된 전원 공급 장치를 사용하십시오.** RCD를 사용하면 감전 위험이 줄어듭니다.
- 3) **신체 안전**
- a) **전동 공구로 작업할 때는 방심하지 말고 작업에 주의하면서 상식에 따르십시오.** 피곤한 상태이거나 약물, 술, 치료제를 복용한 상태에서는 전동 공구를 사용하지 마십시오. 전동 공구를 사용하는 중에 주의력을 잃어 순간적으로 부상을 당할 수 있습니다.
- b) **신체 보호 장구를 착용하십시오. 항상 보안경을 착용하십시오.** 적절한 상황에서 방진 마스크, 미끄럼 방지 안전화, 안전모 또는 청력 보호 기구 등의 보호 장비를 사용하면 신체 부상 위험이 줄어듭니다.
- c) **의도하지 않은 장비 가동 방지. 전원 및/또는 배터리 팩에 연결한 상태로 공구를 선택 또는 운반할 때는 사전에 스위치가 꺼짐 위치에 있는지 반드시 확인하십시오.** 스위치가 켜짐 위치에 있는 상태에서 스위치에 손가락이 닿은 상태로 전동 공구를 운반하거나 전동 공구에 전원을 공급하면 사고가 발생합니다.
- d) **전동 공구를 켜기 전에 모든 조정 키 또는 렌치를 제거하십시오.** 전동 공구의 회전 부품에 렌치나 키가 부착되어 있으면 부상을 당할 수 있습니다.
- e) **무리하게 팔을 뻗지 마십시오. 항상 올바른 자세로 서서 균형을 유지하십시오.** 그러면 예기치 않은 상황에서의 전동 공구 제어 능력이 향상됩니다.
- f) **적절한 옷을 착용하십시오. 헐렁한 옷이나 장신구를 착용하지 마십시오.** 머리카락, 옷 및 장갑이 움직이는 부품에 닿지 않도록 유의하십시오. 헐렁한 옷, 장신구 또는 긴 머리카락이 움직이는 부품에 걸 수 있습니다.
- g) **먼지 배출 및 집진 시설 연결을 위한 장치가 제공된 경우, 이들 장치가 연결되어 적절히 사용되고 있는지 반드시 확인하십시오.** 집진 장치를 사용하면 먼지와 관련된 위험을 줄일 수 있습니다.
- 4) **전동 공구 사용 및 관리**
- a) **전동 공구에 무리한 힘을 가하지 마십시오.** 해당 용도에 맞는 올바른 전동 공구를 사용하십시오. 올바른 전동 공구를 사용하여 설계된 속도로 작업을 더욱 안전하고 정확하게 수행할 수 있습니다.
- b) **스위치로 켜지고 꺼지지 않는 전동 공구는 사용하지 마십시오.** 스위치로 제어되지 않는 전동 공구는 위험하므로 수리해야 합니다.
- c) **전동 공구를 조정하거나 액세서리를 변경하거나 보관하기 전에 전원 및/또는 배터리 팩에서 플러그를 빼십시오.** 이러한 예방적 안전 조치를 따라야 전동 공구가 갑자기 작동할 위험이 줄어듭니다.
- d) **사용하지 않는 전동 공구는 어린이의 손이 닿지 않는 곳에 보관하고, 전동 공구나 본지시 사항에 익숙하지 않은 사람이 전동 공구를 절대 사용하지 못하게 하십시오.** 전동 공구는 훈련을 받지 않은 사용자가 다루면 위험합니다.
- e) **전동 공구 유지 보수. 움직이는 부품의 잘못된 정렬이나 바인딩, 부품 파손 및 기타 전동 공구의 작동에 영향을 미칠 수 있는 기타 모든 상태를 확인하십시오.** 손상된 부분이 있는 경우 사용하기 전에 전동 공구를 수리하십시오. 많은 사고는 전동 공구를 제대로 유지 보수하지 않아 발생합니다.
- f) **절삭 공구를 예리하고 깨끗한 상태로 유지하십시오.** 절단시석 가장자리를 예리하게 잘 유지하면 절단기를 사용할 때 바인딩이 적고 다루기가 용이합니다.
- g) **작업 환경과 수행할 작업을 고려하여, 본지시 사항에 따라 전동 공구, 액세서리 및 톨 비트 등을 사용하십시오.** 본 사용 설명서의 내용과 다른 용도로 전동 공구를 사용하면 위험한 상황이 발생할 수 있습니다.
- 5) **배터리 공구 사용 및 관리**
- a) **다시 충전할 때는 제조업체에서 지정한 충전기만 사용하십시오.** 한 배터리 팩 유형에 적합한 충전기를 다른 배터리 팩과 함께 사용할 경우 화재의 위험이 있습니다.
- b) **전동 공구를 사용할 때는 특수 설계된 배터리 팩을 함께 사용하십시오.** 다른 배터리 팩을 사용하면 부상을 입거나

화재의 위험이 있습니다.

- c) 2.5.4 배터리 팩을 사용하지 않을 때에는 클립, 동전, 키, 못, 나사 등의 금속 물체나, 단자 간에 연결할 수 있는 작은 금속 물체가 닿지 않도록 멀리 두십시오. 배터리 단자가 단락되면 화상을 입거나 화재의 위험이 있습니다.
- d) 배터리를 과다 사용하면 액체가 배터리에서 흘러 나올 수 있으므로 접촉을 피하십시오. 실수로 접촉한 경우에는 물로 씻으십시오. 액체가 눈에 들어가면 치료를 받으십시오. 배터리에서 나온 액체는 통증을 유발하거나 화상을 입힐 수 있습니다.

6) 정비

- a) 자격을 갖춘 기술자가 동일 교체 부품을 사용하여 정비 작업을 수행해야 합니다. 그래야 전동 공구의 안전이 보장됩니다.

특수 안전 규칙

- 전동공구 액세서리가 보이지 않는 내부전선에 접촉할 가능성이 있는 작업을 할 때는 절연 처리된 곳을 잡고 사용하십시오. "전류가 흐르는" 전선에 접촉된 절삭 액세서리는 전동 공구의 노출된 금속 부품을 "전류가 흐르는" 상태로 만들어 작업자를 감전시킬 수 있습니다.
- 보조 핸들(공구와 함께 제공된 경우)을 사용하십시오. 제어력을 잃으면 신체 부상을 당할 수 있습니다.
- 클램프 또는 다른 적절한 방식을 이용하여 안정된 작업대에 작업 공구들을 고정 및 지지하십시오. 작업물을 손으로 잡거나 몸으로 지탱하는 행동은 불안정하여 제어력을 잃을 수 있습니다.
- 사용하지 않는 공구는 걸려 넘어지거나 떨어질 위험이 없는 안정된 표면에 놓혀 두십시오. 배터리 팩이 큰 일부 공구들은 바로 서 있지만 쉽게 넘어질 수 있습니다.
- 머리카락, 옷 및 장갑이 통풍구에 닿지 않도록 유의하십시오. 이런 물건들은 통풍구 내부의 움직이는 부품에 걸릴 수 있습니다.
- 한 손은 핸들에, 그리고 다른 손은 배터리 주변의 하단을 꼭 잡아, 양 손으로 공구를 단단히 잡으십시오. 제공된 경우 보조 핸들을 사용하십시오. 제어력을 잃으면 신체 부상을 당할 수 있습니다.

△ 경고: 전동 샌딩, 절삭, 연마, 드릴 및 기타 건설 작업에 의해 발생하는 일부 분진에는 캘리포니아 주에서 암, 선천적 결손증 또는 다른 생식기 손상을 초래하는 것으로 알려진 화학물질이 함유되어 있습니다. 이러한 화학물질의 몇 가지 예는 다음과 같습니다.

- 납 성분 페인트에 함유된 납
- 벽돌과 시멘트 및 기타 석재 제품에 함유된 결정질 실리카
- 화학 처리된 목재에 함유된 비소와 크롬

이러한 노출에 따른 위험은 해당 류의 작업을 수행하는 빈도에 따라 다릅니다. 이러한 화학물질에 대한 노출을 줄이려면: 환기가 잘 되는 장소에서 작업하고, 미세 입자를 걸러내도록 특수 설계된 방진 마스크 등 승인된 안전 장구를 사용해서 작업해야 합니다.

- 전동 샌딩, 연마, 드릴 및 기타 건설 작업에 의해 발생하는 분진에 장시간 노출되지 않도록 하십시오. 보호복을 착용하고 노출된 부위를 비눗물로 씻으십시오. 분진이 입이나 눈에 들어가거나 피부에 묻으면 해로운 화학물질이 체내로 쉽게 흡수될 수 있습니다.

기능 설명

1. 가변 속도 스위치
2. 전진/후진 버튼
3. 모드 선택 버튼
4. 단일 슬리브 키리스 척(그림 F)
5. 배터리
6. 배터리 해제 버튼
7. 충전기 상태 표시등
8. 드라이버 비트 홀더
9. LED 작업등

배터리 충전기에 대한 중요한 안전 지침
본 지침을 잘 보관해 두십시오. 본 사용 설명서에는 배터리 충전기에 대한 중요한 안전 지침이 포함되어 있습니다.

- 충전기를 사용하기 전에 충전기, 배터리 팩, 그리고 배터리 팩 관련 제품에 대한 지침과 주의 표시를 숙지하십시오.

기호

공구에 부착된 라벨에 다음 기호가 사용될 수 있습니다. 기호 및 그 정의는 다음과 같습니다.

- V.....볼트
- A.....암페어
- Hz.....헤르츠
- W.....와트
- 분.....분
- ~or AC.....교류 전류
- ==or DC...직류
- n₀.....무부하 속도
- ⚠.....클래스 I 건설 산업용(지면 접지)
- ⚡.....접지 단자
- ⚠.....안전 경고 기호
- Ⓜ.....클래스 II 건설 산업용
(이중 절연)
- .../분 또는 rpm...
분당 회전 또는 왕복 수
- 📖.....사용하기 전에 사용 설명서를
속독하십시오.
- 🛡.....적합한 호흡기 보호 장구 사용
- 👁.....적합한 보안경 사용
- 🛡.....적합한 청력 보호 장치 착용

⚠ **경고: 감전 위험.** 충전기 내부에 액체가 들어가지 않도록 하십시오.

⚠ **주의: 화상 위험.** 신체 부상의 위험을 줄이려면 지정된 **Black + Decker** 배터리로만 충전하십시오. 다른 유형의 배터리는 폭발로 인한 신체 부상과 손상을 초래할 수 있습니다.

⚠ **주의:** 특정 조건에서, 충전기가 전원 공급기에 연결되어 있으면 충전기가 이물질에 의해 단락될 수 있습니다. 철부스러기 알루미늄 호일, 금속 입자 축적물 등의 전도성 이물질은 충전기 접속단자에 닿지 않게 두어야 합니다. 캐비티 안에 배터리 팩이 없을 경우 항상 배터리 전원 공급기에서 충전기의 플러그를 뽑으십시오. 충전기를 청소할 때는 플러그를 뽑아야 합니다.

⚠ **경고: 본 사용 설명서에 명시된 충전기 외의 다른 충전기로 배터리 팩을 충전하지 마십시오.** 본 충전기와 배터리 팩은 함께 사용하도록 특수 설계되었습니다.

• 이러한 충전기는 지정된 **Black + Decker** 충전용 배터리 충전 이외의 용도로는 사용할 수 없습니다. 다른 용도로 사용하면 화재, 감전 또는

감전사의 위험이 있습니다.

- 충전기가 비나 눈을 맞지 않도록 하십시오.
- 충전기를 분리할 경우 코드가 아니라 플러그를 뽑으십시오. 그래야만 전기 플러그 및 코드 손상의 위험이 줄어듭니다.
- 코드가 밟히거나 걸리거나 기타 원인에 의해 손상되거나 압박을 받지 않도록 유의하십시오.
- 불가피한 경우가 아니면 연장 코드를 사용하지 마십시오. 연장 코드를 잘못 사용하면 화재, 감전 또는 감전사의 위험이 있습니다.
- 연장 코드는 크기가 적절해야(AWG, American Wire Gauge) 안전합니다. 와이어의 게이지 수치가 작을수록 케이블 용량은 더욱 커집니다. 즉, 16게이지는 18 게이지보다 용량이 더 큼니다. 길이가 짧아서 연장 코드를 두 개 이상 사용하는 경우, 각각의 연장 코드는 최소 와이어 크기 이상이어야 합니다.
- 코드나 플러그가 손상된 충전기를 작동시키지 마십시오 - 즉시 교체하십시오.
- 심한 충격을 받았거나 떨어뜨렸거나 기타의 방식으로 손상된 경우에는 충전기를 작동시키지 마십시오. 공인 서비스 센터로 가져가십시오.
- 충전기를 분해하지 마십시오. 서비스나 수리가 필요한 경우에는 공인 서비스 센터로 가져가십시오. 잘못 재조립하면 화재, 감전 또는 감전사의 위험이 있습니다.
- 청소하려면 먼저 충전기를 콘센트에서 분리하십시오. 그래야 감전 위험이 줄어듭니다. 배터리 팩을 제거하는 것만으로 이러한 위험이 줄어들지는 않습니다.
- 절대로 충전기 두 개를 함께 연결하지 마십시오.
- 충전기는 가정용 표준 전력(220V)에서 작동하도록 설계되어 있습니다. 다른 전압에서는 사용하지 마십시오.

본 지침을 잘 보관해 두십시오.

배터리 팩에 대한 중요한 안전 지침

⚠ **경고:** 안전한 작동을 위해, 충전기를 사용하기 전에 공구와 함께 제공된 본 설명서와 기타 설명서들을 속독하십시오.

배터리 팩은 포장박스에서 꺼낼 때 완전히 충전된 상태가 아닙니다. 배터리 팩과 충전기를 사용하기 전에 아래 안전 지침을 속독하십시오. 그런 다음 설명된 충전 절차를 따르십시오.

모든 지시 사항을 읽으십시오.

- **배터리 팩이 심하게 손상되거나 완전히 낡았다더라도 절대 조각하지 마십시오.** 배터리 팩은 불 속에서 폭발할 수 있습니다. 배터리 팩은 연소되면서 독성 연기와 물질을 발생시킵니다.
 - **가연성 액체, 가스 또는 먼지 등 폭발성 분위기에서 배터리를 충전하거나 사용하지 마십시오.** 배터리를 끼우거나 충전기에서 분리할 때 먼지나 가스에 불이 붙을 수 있습니다.
 - **배터리 내용물이 피부에 닿으면 즉시 증성 세척제로 해당 부위를 씻으십시오.** 배터리 액체가 눈에 들어갔을 경우, 15분 정도 또는 통증이 가실 때까지 눈을 뜨고 물로 씻어냅니다. 치료가 필요한 경우를 위해, 배터리의 배터리 전해질은 액체 유기 탄산염과 리튬염의 혼합물로 구성되어 있음을 알아 두십시오.
 - **열린 배터리 셀의 내용물은 호흡기 질환을 일으킬 수 있습니다.** 신선한 공기를 마시십시오. 증상이 계속되면 치료를 받으십시오.
- ⚠ **경고: 화상 위험.** 배터리액은 불꽃이나 화염에 노출되면 연소될 수 있습니다.
- **Black + Decker** 충전기에서만 배터리 팩을 충전하십시오.
 - 물이나 기타 액체가 튀어 묻거나 액체에 빠지지 않도록 하십시오. 이렇게 하면 배터리 셀이 조기에 고장날 수 있습니다.
 - 온도가 105°F (40°C) 초과될 수 있는 곳(여름철 허름한 창고 또는 금속 건물 등)에 공구와 배터리 팩을 보관하거나 사용하지 마십시오.

⚠ **경고:** 어떤 이유론든 배터리 팩을 절대 분해하지 마십시오. 배터리 팩 케이스가 깨지거나 손상되면 충전기에 넣지 마십시오. 배터리 팩을 문개거나 떨어뜨리거나 손상시키지 마십시오. 강한 충격을 받았거나, 떨어뜨렸거나, 차에 치였거나 기타의 원인으로 어떤 방식으로든 손상된(못이 박히거나 망치로 맞았거나 밟힘) 배터리 팩이나 충전기는 사용하지 마십시오. 손상된 배터리 팩은 재활용을 위해 서비스 센터에 반환해야 합니다.

⚠ **경고: 화재 위험.** 배터리를 보관하거나 휴대할 때는 노출된 배터리 단자에 금속 물체가 닿지 않도록 하십시오. 예를 들어, 못, 나사, 키 등이 있는 앞치마, 주머니, 도구상자, 제품 키트 상자, 서랍 등에 배터리를 두지 마십시오. **배터리 운반 중에 배터리 단자가**

우연히 전도성 물체(예: 열쇠, 동전, 수공구 등)에 닿게 될 경우 화재가 발생할 수 있습니다. 미국 교통부(DOT)의 유해물질 규정(Hazardous Materials Regulations)에서는 단락 방지 조치가 제대로 되지 않지 않은 배터리를 화물로 운반하거나 비행기로 운반(여행 가방 또는 기내 반입 화물)하는 것을 사실상 금지하고 있습니다. 따라서, 개별 배터리를 운반할 경우에는 배터리 단자가 보호되어 있고, 물체에 닿을 경우 단락을 일으킬 수 있는 물체로부터 제대로 절연되어 있는지 확인하십시오. **참고: 리튬이온 배터리는 검사된 수화물에 넣어야 합니다.**

보관 권장 사항

1. 보관 장소로는 직사광선을 받지 않고 지나치게 덥거나 춥지 않은 시원하고 건조한 곳이 가장 좋습니다.
2. 장기간 보관해도 배터리 팩이나 충전기가 훼손되지 않습니다.

충전 절차

Black + Decker 충전기는 **Black + Decker** 배터리 팩을 충전되는 팩에 따라 3-5시간 내에 충전하도록 설계되었습니다.

1. 배터리 팩을 넣기 전에 충전기를 적절한 콘센트에 꽂습니다.
 2. **그림 A와 같이 배터리 팩을 충전기에 넣습니다.**
 3. 배터리가 충전 중임을 나타내는 녹색 LED가 깜박거립니다.
 4. 충전이 완료되면 녹색 LED가 계속 켜져 있습니다. 팩이 완전히 충전되면 바로 사용하거나 충전기에 그대로 둡니다.
- 방전된 배터리는 사용 후 최대한 빨리 충전하십시오. 그렇지 않을 경우 배터리 수명이 크게 저하될 수 있습니다. 배터리 수명을 최대화하려면 배터리를 완전히 방전하지 마십시오.** 매번 사용한 후 배터리를 충전하는 것이 좋습니다.

배터리를 충전기에 두기

충전기와 배터리 팩이 연결된 상태로 둘 수 있는데, 이 경우 녹색 LED는 계속 켜진 상태로 유지됩니다. 충전기는 배터리 팩을 완전 충전 상태로 유지합니다.

중요한 충전 참고사항

1. 65°F ~ 75°F(18~ 24°C)의 기온에서 배터리 팩을 충전할 경우 최장 수명과 최고의 성능을 얻을 수 있습니다. +40°F (+4.5°C) 이하 또는 +105°F (+40.5°C) 이상의 기온에서는 배터리 팩을 충전하지 마십시오. 이는 매우 중요한 점으로서 배터리 팩의 심각한 손상을 예방하기 위한 것입니다.
2. 충전기와 배터리 팩은 충전 중에 따뜻해집니다. 이는 정상적 현상이며 고장이 아닙니다. 사용 후 배터리 팩을 손쉽게 식히려려면 충전기나 배터리 팩을 금속 창고 또는 비절연 트레일러와 같은 고온의 환경에 두지 마십시오.
3. 배터리 팩이 제대로 충전되지 않을 경우 다음과 같이 조치를 취합니다.
 - a. 램프나 기타 기기의 플러그를 콘센트에 꽂아서 전류가 흐르는지 확인합니다.
 - b. 전등의 스위치를 꺼서 해당 전등이 꺼지는지 확인해 보으로써 그 스위치가 콘센트에 연결되어 있는지 판단합니다.
 - c. 충전기와 배터리 팩을 주변 기온이 약 18-24°C (65°F ~ 75°F)인 위치로 이동시킵니다.
 - d. 충전 문제가 해결되지 않으면 공구, 배터리 팩 및 충전기를 해당 지역의 서비스 센터로 가져가십시오.
4. 이전에 쉽게 수행했던 작업에 대해 충분한 힘을 발휘하지 못하는 배터리 팩은 재충전해야 합니다. 그러한 상황에서는 사용을 중단하십시오. 충전 절차를 따르십시오. 부분적으로 사용한 팩도 원할 때마다 충전할 수 있으며 이 경우 배터리 팩에는 유해한 영향이 전혀 없습니다.
5. 철부스러기(steel wool), 알루미늄 호일, 금속 입자 축적물 등의 전도성 이물질은 충전기 접속단자에 닿지 않게 두어야 합니다. 캐비티 안에 배터리 팩이 없을 경우 항상 배터리 전원 공급기에서 충전기의 플러그를 뽑으십시오. 충전기를 청소할 때는 플러그를 뽑아야 합니다.
6. 충전기를 물이나 다른 액체로 냉각시키거나 담그지 마십시오.

⚠ 경고: 감전 위험. 충전기 내부에 액체가 들어가지 않도록 하십시오. 어떤 이유로든 배터리 팩을 절대 분해하지 마십시오. 배터리 팩의 플라스틱 하우징이 부서지거나 깨지면 재활용을 위해 서비스 센터로 반환해 주십시오.

안전 경고 및 지침: 드릴

1. 한 손으로 그림을 잡고 다른 한 손은 배터리 팩의 하단을 잡은 상태에서 드릴을 단단히 잡으십시오.
 2. 드릴 척에 액세서리를 부착할 경우 키리스 척을 손으로 단단히 조입니다.
- ⚠ 경고:** (과부하가 걸리거나 부적합하게 사용하면 경우) 드릴이 고착(stall)되면서 비틀릴 수 있습니다. 고착되는 상황을 늘 대비하십시오. 드릴을 양손으로 단단히 잡아서 비틀리지 않도록 하고 제어력 상실로 부상을 입는 일이 없도록 합니다. 이와 같이 드릴이 고착되는 경우, 방아쇠스위치를 즉시 해제하고 그 원인을 파악한 후에 다시 작동합니다.

공구에 배터리 팩 장착 및 제거

⚠ 경고: 배터리를 장착하거나 제거할 때는 반드시 잠금 해제 버튼을 고정시켜 실수로 스위치가 작동되는 것을 방지해야 합니다.

배터리 팩 설치 방법: 찰칵 소리가 들릴 때까지 배터리(5)를 공구에 삽입합니다(**그림 B**). 배터리 팩이 완전히 삽입되어 제자리에 완전히 들어갔는지 확인하십시오.

배터리 팩 제거 방법: **그림 C와 같이 배터리 탈착 버튼(6)을 누른 채 공구에서 배터리 팩을 빼십시오.**

작동 지침

방아쇠 스위치 및 후진 버튼(그림 D)

- 드릴을 켜거나 끄려면 방아쇠 스위치(1)를 당기거나 놓으면 됩니다. 방아쇠를 강하게 당길수록 드릴 속도는 높아집니다.
- 전진/후진 제어 버튼(2)은 공구 방향을 결정하며 잠금(lock-off) 버튼 역할도 합니다.
- 전진 회전을 선택하려면 방아쇠 스위치 스위치를 놓고 전진/후진 제어 버튼을 왼쪽으로 눌러줍니다.
- 후진을 선택하려면 전진/후진 제어 버튼을 반대 방향으로 눌러 줍니다.

참고: 제어 버튼이 중앙에 있으면 공구가 꺼진 상태로 잠기게 됩니다. 제어 버튼의 위치를 변경할 때는 반드시 방아쇠 스위치를 놓아야 합니다.

드릴/드라이브 모드 선택(그림 E)

본 드릴에는 모드 선택 버튼(3)이 장착되어 있어서 프로젝트에 따라서 쉽고 빠르게 공구의

성능을 드릴 작업 또는 조임 작업으로 전환할 수 있습니다.

- 공구를 드라이브 모드로 설정하려면, 기호가 표시된 버튼을 누릅니다.
- 공구를 드릴 모드로 설정하려면, 기호가 표시된 버튼을 누릅니다.

참고: 파란색 LED는 선택된 모드에 대한 기호를 점등합니다.

충전 상태 표시등(그림 E)

드릴에는 충전 상태 표시등이 장착되어 있습니다. 이는 사용하는 동안 배터리의 현재 충전 레벨을 표시하기 위해 사용할 수 있습니다. 공구의 기능성을 나타내는 것이 아니며 제품 구성품, 온도 및 최종 사용자의 용도에 따라 변경될 수 있습니다.

사용 중 충전 상태 확인:

- **그림 B**와 같이 배터리(5)를 공구에 끼웁니다.
- 모드 선택 버튼(3) 양쪽을 누르거나 방아쇠 스위치(1)를 누릅니다.
- 배터리의 충전 비율을 표시하면서 네 개의 녹색 LED가 점등됩니다. 네 개 전부 점등되면, 배터리가 완전히 충전된 것입니다. LED가 점등되지 않는 경우, 배터리를 충전하십시오.

참고: 드릴을 사용하는 동안 충전 상태를 표시하기 위해 방아쇠스위치를 당기면 충전 LED 상태 또한 점등됩니다.

단일 슬리브 키리스 척(그림 F)

⚠경고: 배터리를 장착하거나 제거하기 전에 반드시 잠금 해제 버튼을 고정시켜 실수로 스위치가 작동되는 것을 방지해야 합니다. 드릴 비트 또는 기타 액세서리를 삽입하려면 다음과 같이 조치합니다.

1. 한 손으로 드릴의 핸들을 잡고 다른 손을 사용하여 척(4)을 시계 반대 방향(척 끝에서 봤을 때)으로 돌립니다.
2. 비트 또는 다른 액세서리를 척에 완전히 끼우고, 핸들을 잡고 척 끝에서 봤을 때 시계 방향으로 척을 돌려 단단히 조입니다.

⚠경고: 척의 앞부분을 잡고 공구를 커서 드릴 비트(또는 기타 액세서리)를 조이려고 시도하지 마십시오. 액세서리를 변경할 경우 척이 손상되거나 신체 부상이 발생할 수 있습니다.

온보드 비트 홀더(그림 G)

드라이버 비트 홀더(8)는 배터리 팩 바로 위쪽에 내장되어 있습니다.

LED 작업등(그림 G)

방아쇠 스위치(1)를 당겨 드릴이 작동되면, 통합 LED 작업등(9)이 작업 영역을 자동으로 비춥니다.

참고: 작업등은 인접한 작업을 비추기 위한 것이며 손전등으로 사용하기 위한 것이 아닙니다.

나사 돌리기

패스너를 조일 경우, 후진 버튼을 왼쪽으로 눌러야 합니다. 패스너를 제거할 경우에는 후진(오른쪽으로 민 버튼)을 사용합니다. 전진에서 후진으로 이동하거나, 그 반대의 경우에는 항상 방아쇠 스위치를 먼저 놓아야 합니다.

오토센스

본 공구에는 자동으로 대부분의 나사 수평을 멈추는 오토센스 기술이 장착되어 있습니다.

- 전진/후진 버튼(2)을 왼쪽으로 눌러서 드라이브 모드가 선택되었는지 확인하십시오(**그림 E**).
- 방아쇠 스위치(1)를 당겨 나사를 작업물로 조이고 나사가 작업물에 대해 수직이 되면 공구가 자동으로 정지합니다.
- 더 깊은 나사가 필요한 경우, 방아쇠 스위치를 계속해서 잡고 있습니다. 잠시 후 드릴이 짧게 회전하기 시작하여 보다 제어 가능한 속도로 나사를 더 깊게 조입니다.
- 원하는 깊이에 도달하면, 방아쇠 스위치를 놓습니다.

참고: 기존의 드릴/드라이버와 유사 - 드릴 뒤쪽으로 탄탄한 압력을 가하여 나사 비트가 나사 머리에서 빠져 나오지 않도록 하는 것이 중요합니다. 나사 비트가 빠져 나온 경우, 나사 비트를 다시 넣고 공구 뒤쪽으로 압력을 높이십시오.

참고: 나사가 작업면에 수직이 되기 전에 전에 공구가 정지하는 경우, 방아쇠스위치를 놓고 다시 눌러서 오토센스 기술을 다시 작동시킵니다.

참고: 오토센스 기술은 대부분의 재료에서 작동되지만, 특정 재료 또는 나사에서는 작동되지 않을 수 있습니다.

드릴 작업

- 전진/후진 버튼(2)을 왼쪽으로 눌러서 드릴

모드가 선택되었는지 확인하십시오(그림 E).

오토센스 기능이 비활성화됩니다.

- 날카로운 드릴 비트만 사용하십시오.
- 안전 지침에 설명된 대로 작업물을 제대로 지지하고 고정하십시오.
- 안전 지침에 설명된 대로 적절하고 필요한 안전 장구를 사용하십시오.
- 안전 지침에 설명된 대로 작업 영역을 고정하고 유지하십시오.
- 드릴 비트가 밖으로 밀려나지 않을 만큼 충분한 구멍이 생길 때까지 가벼운 압력을 가해서 아주 천천히 드릴을 작동하십시오.
- 항상 비트에 수직으로 압력을 가하십시오. 드릴 비트가 작업물을 파고들기에 충분한 압력을 가하되 모터가 고착되거나 비트가 변형될 정도로 강한 압력을 가하지 마십시오.

⚠ 경고: 공구가 드릴 모드에 있으면, 과부하될 경우 급작스럽게 쉴 수 있습니다.

- **양 손으로 드릴을 단단히 잡아서 비틀림을 제어합니다.**
- 드릴이 고착되어 움직이지 않는 상태에서 드릴을 다시 작동시키기 위해 방아쇠 스위치를 당기고 놓는 동작을 취하지 마십시오. 드릴이 손상될 수 있습니다.
- 구멍이 완전히 뚫릴 때까지 압력을 줄이고 느린 속도로 드릴 작업을 하면 자재를 뚫는 동안 고착되는 현상을 예방할 수 있습니다.
- 구멍을 뚫은 다음 비트를 빼낼 때도 모터를 가동 상태로 유지하십시오. 그래야 걸림 현상이 줄어듭니다.
- **스위치를 작동시켜 드릴이 켜지고 꺼지는지 확인하십시오.**

목재 드릴 작업

금속용 트위스트 드릴이나 스페이드 비트로 목재를 뚫을 수 있습니다. 예리한 비트를 사용해야 하며, 드릴 작업중 비트를 자주 빼내어 나선형 홈에 있는 부스러기를 떨어 줍니다.

금속 드릴 작업

금속 드릴 작업 시에는 절삭 윤활유를 사용하십시오. 건조 상태로 드릴 작업을 해야 하는 주철과 황동의 경우는 예외입니다. 가장 효과적인 절삭 윤활유는 유허처리된 절삭 오일 또는 라드(lard) 오일입니다.

유지 보수

공구를 청소할 때는 중성 세척제와 젖은 헝겊만 사용하십시오. 공구 내부에 액체를 넣거나 공구

부품을 액체에 담그는 행동은 절대 금물입니다.

중요: 제품 안전과 신뢰성을 보장하기 위해 수리, 유지 보수 및 조정 작업(본 사용 설명서에서 다루지 않은 작업)은 공인 서비스 센터 또는 자격을 갖춘 서비스 직원이 항상 동일한 교체 부품을 사용하여 수행해야 합니다.

액세서리

본 공구와 함께 사용을 권장하는 액세서리는 해당 지역에 있는 판매점이나 공인 서비스 센터를 통해 구입할 수 있습니다.

⚠ 경고: 본 공구와 함께 사용하도록 권장되지 않는 다른 액세서리를 사용할 경우 위험할 수 있습니다.

서비스 정보

Black + Decker 전동공구는 가까운 동부 대우전자 서비스센터에서 받으실 수 있습니다. 동부 대우전자 서비스센터의 모든 직원들은 블랙앤드데커본사로부터 서비스 교육을 이수한 전문 직원들로서 친절하고 편리한 제품 서비스를 제공할 것입니다. 1588-1588 대표 전화에 전화하시어 가까운 동부 대우전자서비스센터의 위치를 안내 받으실 수 있습니다.

참고

- Black + Decker는 제품을 지속적으로 개선시키기 때문에 사전 통지 없이 제품 사양이 변경될 수 있습니다.
- 기본 장비 및 액세서리 구성은 각 국가에 따라 다를 수 있습니다.
- 제품 사양은 국가에 따라 다를 수 있습니다.
- 국가에 따라 판매하지 않는 제품도 있을 수 있습니다.

