

# **BLACK+** **DECKER**<sup>TM</sup>

**INSTRUCTION MANUAL**  
**MODE D'EMPLOI**  
**MANUAL DE INSTRUCCIONES**

## **Cordless Vacuum** **Aspirateur sans fil** **Aspiradora inalámbrica**

**HNVC115B**

**Please read before returning this product for any reason.**

**À lire avant de retourner ce produit pour quelque raison que ce soit.**

**Lea el manual antes de devolver este producto por cualquier motivo.**

---

English (*original instructions*)

1

---

Français (*traduction de la notice d'instructions originale*)

6

---

Español (*traducido de las instrucciones originales*)

12

---

**Thank you for choosing BLACK+DECKER!**

**If you have a question or experience a problem with your BLACK+DECKER purchase, go to: <http://www.blackanddecker.com/instantanswers>**

**If you can't find the answer or do not have access to the Internet, call 1-800-544-6986 from 8 a.m. to 5 p.m. EST Mon. – Fri. to speak with an agent. Please have the CATALOG NUMBER available when you call.**

**To register your new product, visit  
[www.BlackandDecker.com/NewOwner](http://www.BlackandDecker.com/NewOwner)**

**Consulter le site Web [www.BlackandDecker.com/NewOwner](http://www.BlackandDecker.com/NewOwner)  
pour enregistrer votre nouveau produit.**

**Visite [www.BlackandDecker.com/NewOwner](http://www.BlackandDecker.com/NewOwner) para registrar su  
nuevo producto.**

## DEFINITIONS: SAFETY ALERT SYMBOLS AND WORDS

This instruction manual uses the following safety alert symbols and words to alert you to hazardous situations and your risk of personal injury or property damage.

**⚠ DANGER:** Indicates an imminently hazardous situation which, if not avoided, will result in death or serious injury.

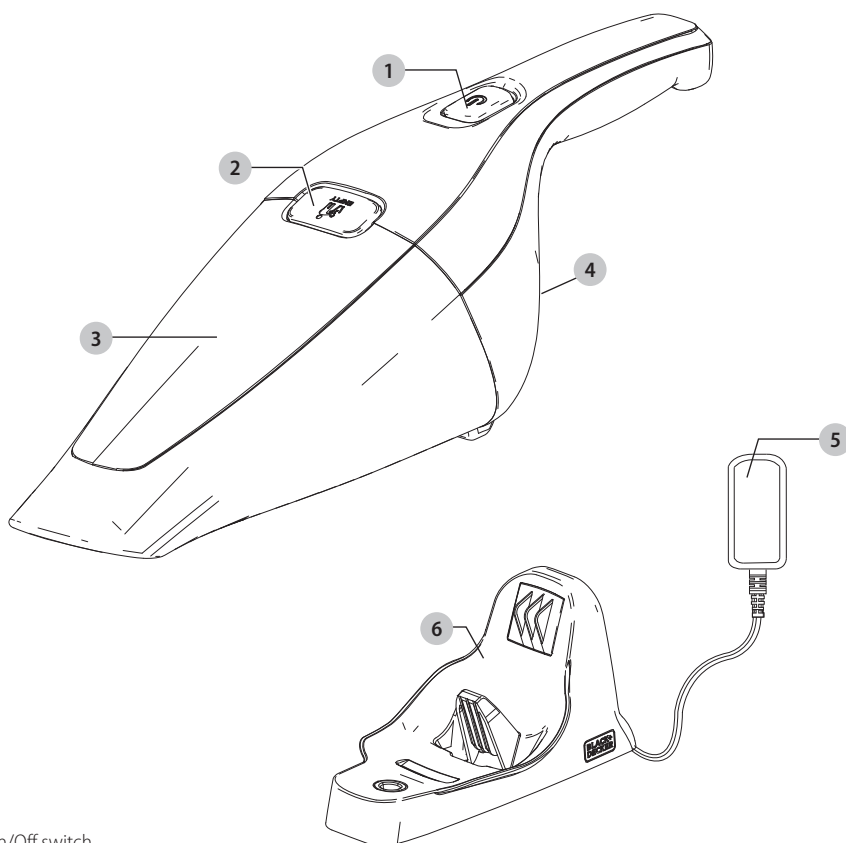
**⚠ WARNING:** Indicates a potentially hazardous situation which, if not avoided, could result in death or serious injury.

**⚠ CAUTION:** Indicates a potentially hazardous situation which, if not avoided, may result in minor or moderate injury.

**⚠ (Used without word)** Indicates a safety related message.

**NOTICE:** Indicates a practice not related to personal injury which, if not avoided, may result in property damage.

Fig. A



- 1 On/Off switch
- 2 Bowl release button
- 3 Dust bowl
- 4 Charging terminals
- 5 Charger
- 6 Base charger

**⚠ WARNING!** *Read all safety warnings and all instructions. Failure to follow the warnings and instructions may result in electric shock, fire and/or serious injury.*

**ⓘ WARNING:** *To reduce the risk of injury, read the instruction manual.*

## IMPORTANT SAFETY INSTRUCTIONS

When using an electrical appliances, basic precautions should always be followed, including the following:

### READ ALL INSTRUCTIONS BEFORE USING THIS APPLIANCE.

**⚠ WARNING:** *Read all safety warnings and all instructions. Failure to follow the warnings and instructions listed below may result in electric shock, fire and/or serious injury.*

**⚠ WARNING:** *Some household dust contains chemicals known to the State of California to cause cancer, birth defects or other reproductive harm such as asbestos and lead in lead based paint.*

**⚠ WARNING:** *Do not attempt to modify or repair the appliance.*

**⚠ WARNING:** *Do not charge the battery at ambient temperatures below 39 °F (4 °C) or above 104 °F (40 °C). Follow all charging instructions and do not charge the appliance outside of the temperature range specified in the instructions. Charging improperly or at temperatures outside of the specified range may damage the battery and increase risk of fire.*

**⚠ WARNING:** *To reduce the risk of fire, electrical shock or injury:*

- **Shock Hazard.** To protect against risk of electrical shock, do not put charging base in water or other liquid.
- Do not allow to be used as a toy. Close attention is necessary when used by or near children.
- Use only as described in this manual. Use only manufacturer's recommended attachments.
- Do not use with damaged cord or plug. If appliance is not working as it should, has been dropped, damaged, left outdoors, or dropped into water, return it to a service center.

- Do not pull or carry by cord, use cord as a handle, close a door on cord, or pull cord around sharp edges or corners. Do not run appliance over cord. Keep cord away from heated surfaces.
- Do not unplug by pulling on cord. To unplug, grasp the plug, not the cord.
- Do not handle charger, including charger plug, and charger terminals with wet hands.
- Do not put any object into openings. Do not use with any opening blocked; keep free of dust, lint, hair, and anything that may reduce air flow.
- Keep hair, loose clothing, fingers, and all parts of body away from openings and moving parts.
- Use extra care when cleaning on stairs.
- Do not use to pick up flammable or combustible liquids, such as gasoline, or use in areas where they may be present.
- Do not pick up anything that is burning or smoking, such as cigarettes, matches, or hot ashes.
- Do not use without dust bag and/or filters in place.
- Do not charge the unit outdoors.
- Use only the charger supplied by the manufacturer to recharge.
- Do not incinerate the appliance even if it is severely damaged. The batteries can explode in a fire.
- This appliance is intended for household use only and not for commercial or industrial use.
- Do not allow the cord to hang over the edge of a table or counter or touch hot surfaces. The unit should be placed or mounted away from sinks and hot surfaces.
- Plug the charger directly into an electrical outlet.
- Use the charger only in a standard electrical outlet (120V/60Hz).
- Unplug the charger from outlet before any routine cleaning or maintenance.
- Do not look into the air vents when the unit is switched on, as sometimes there is a possibility of small debris being discharged from the air vents, especially after cleaning / replacement of the filters as debris inside the unit can be disturbed.
- Leaks from battery cells can occur under extreme conditions. If the liquid, which is a 20-35% solution of potassium hydroxide, gets on the skin (1) wash quickly with soap and water or (2) neutralize with a mild acid such as lemon juice or vinegar. If the liquid gets into the eyes, flush them immediately with clean water for a minimum of 10 minutes. Seek medical attention.

### ADDITIONAL SAFETY WARNINGS

- Prevent unintentional starting. Ensure the switch is in the off-position before picking up or carrying the appliance.** Carrying the appliance with your finger on the switch or energizing appliance that have the switch on invites accidents.
- Recharge only with the charger specified by the manufacturer.** A charger that is suitable for one type of battery pack may create a risk of fire when used with another battery pack.
- Do not use a battery pack or appliance that is damaged or modified.** Damaged or modified

batteries may exhibit unpredictable behavior resulting in fire, explosion or risk of injury.

- d) **Do not expose a battery pack or appliance to fire or excessive temperature.** Exposure to fire or temperature above 266 °F (130 °C) may cause explosion.
- e) **Have servicing performed by a qualified repair person using only identical replacement parts.** This will ensure that the safety of the product is maintained.
- f) Only for use with SSC-040015US and S003BDU0500015 chargers.

## SAVE THESE INSTRUCTIONS

### SYMBOLS

The label on your tool may include the following symbols. The symbols and their definitions are as follows:

V .....	volts
A .....	amperes
Hz .....	hertz
W .....	watts
min .....	minutes
~ or AC .....	alternating current
— or DC .....	direct current
n <sub>0</sub> .....	no load speed
Ⓛ .....	Class I Construction (grounded)
Ⓧ .....	earthing terminal
⚠ .....	safety alert symbol
Ⓛ .....	Class II Construction (double insulated)
.../min or rpm .....	revolutions or reciprocation per minute
Wh .....	Watt Hours

### ASSEMBLY

**⚠ WARNING:** Do not attempt to modify or repair the appliance.

### Intended use

Your BLACK+DECKER lithium ion cordless vacuum cleaner has been designed for light, dry vacuum cleaning purposes. This appliance is intended for household use only.

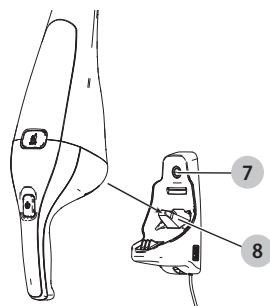
### Wall Mounting (Fig. B)

The product can be attached to a wall to provide a convenient storage and charging point for the appliance. When mounting to a wall, make sure the mounting method is suitable for the wall type and is appropriate to the weight of the appliance.

1. Mark the location of the base charger screw holes 7 on the wall (within reach of an electrical outlet for charging the vacuum while it is on the wall bracket).
2. Fix the base charger to the wall using appropriate screws and plugs for the type of wall, and weight of the appliance.

3. Hang the appliance by placing the opening of the vacuum base over the hook 8 on the base charger.

Fig. B



### Charging the battery

**⚠ WARNING:** For use only with the supplied charger.

**⚠ WARNING:** Before charging, be sure to empty all contents and dry thoroughly if needed to avoid damage to your appliance.

1. Before first use, the battery must be charged for at least 10 hours.
2. Place the appliance on the charging bracket whenever it is not in use.
3. Make sure the appliance is switched off.
4. Place the appliance on the base charger 6.
5. Plug in the charger 5.
6. Leave the appliance to charge for at least 9 hours.

**NOTE:** While charging, the charger may become warm. This is normal and does not indicate a problem. The appliance can be left connected to the charger indefinitely.

**⚠ WARNING:** Do not charge the battery at ambient temperatures below 39 °F (4 °C) or above 104 °F (40 °C).

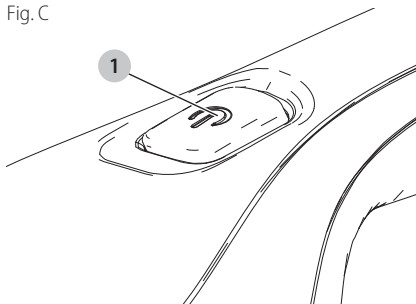
### Charging Indicator LED

1. While charging, the red LED on the charger 5 will illuminate.
2. When charging is completed, the red LED will turn off.

### Switching On (Fig. C)

1. To switch the appliance ON, press and hold the On/Off button 1.
2. Once the button is released the vacuum will turn Off.

Fig. C



## Dry pick up

For everyday spills of dry material.

- Do not fill the dust bowl **3** beyond the end of the intake chute.

## Optimizing the suction force

In order to keep the suction force optimized, the filters must be cleared regularly during use.

## Emptying and cleaning the product

### Removing the dust bowl and filter (Fig. D, E)

**! WARNING:** *The filter is reusable and should be cleaned regularly.*

1. Press the bowl release button **2** and pull the dust bowl **3** straight off as shown in Fig. D.
2. While holding the dust bowl over a trash can, pull out the filter **9** to empty the contents as shown in Fig. E.
3. Insert cleaned filter **9** into the dust bowl **3**.
4. To replace the dust bowl, push it back onto the handle until it clicks firmly into place.

**! WARNING:** *Never use the appliance without the filters. Optimum dust collection will only be achieved with a clean filter.*

Fig. D

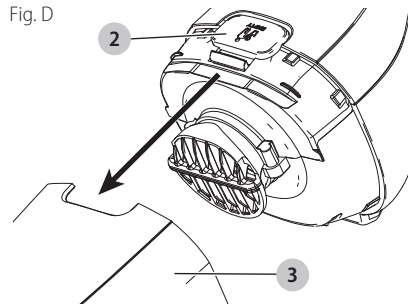
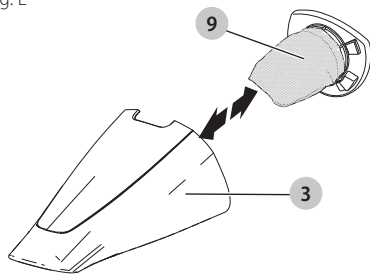


Fig. E



## Cleaning the dust bowl and filter

The dust bowl and filter can be washed in warm soapy water.

1. Make sure the filter **9** and the dust bowl **3** are dry before installing.

## Replacing the filters

The filters should be replaced every 6 to 9 months and whenever worn or damaged. Replacement filters are available from your BLACK+DECKER dealer.

Visit [www.blackanddecker.com](http://www.blackanddecker.com) to locate dealers.

- Remove the old filters as described in **Cleaning the Filters**.
- Fit the new filters as described in **Cleaning the Filters**. (cat. no: HNVCF10)

These fit all units. When these filters reach the end of their lifespan they must be disposed of at a local recycling center.

## MAINTENANCE

Use only mild soap and damp cloth to clean the vac. Never let any liquid get inside the vac; never immerse any part of the vac into a liquid.

**! WARNING:** *Make sure the vacuum is completely dry before using it.*

**IMPORTANT:** To assure product SAFETY and RELIABILITY, repairs, maintenance and adjustment (other than those listed in this manual) should be performed by authorized service centers or other qualified service organizations, always using identical replacement parts.

## TROUBLESHOOTING

If the product does not work, check the following:

- The charger was correctly plugged in for recharge. (It feels slightly warm to the touch.)
- The charger cord is not damaged and is correctly attached.
- The charger is plugged into a working electrical outlet.

For assistance with your product, visit our website [www.blackanddecker.com](http://www.blackanddecker.com) for the location of the service center nearest you or call the BLACK+DECKER help line at 1-800-544-6986.

## ACCESSORIES

Recommended accessories for use with your appliance are available from your local dealer or authorized service center. If you need assistance regarding accessories, please call:

**1-800-544-6986.**



**WARNING:** *The use of any accessory not recommended for use with this appliance could be hazardous.*

## SERVICE INFORMATION

All BLACK+DECKER Service Centers are staffed with trained personnel to provide customers with efficient and reliable power tool service. Whether you need technical advice, repair, or genuine factory replacement parts, contact the BLACK+DECKER location nearest you. To find your local service location, call: **1-800-544-6986** or visit

**www.blackanddecker.com**

## The RBRC® Seal

The RBRC® (Rechargeable Battery Recycling Corporation) Seal on the nickel cadmium, nickel metal hydride or lithium-ion batteries (or battery packs) indicates that the costs to recycle these batteries (or battery packs) at the end of their useful life have already been paid by BLACK+DECKER. In some areas, it is illegal to place spent nickel cadmium, nickel metal hydride or lithium-ion batteries in the trash or municipal solid waste stream and the Call 2 Recycle® program provides an environmentally conscious alternative.

Call 2 Recycle, Inc., in cooperation with BLACK+DECKER and other battery users, has established the program in the United States and Canada to facilitate the collection of spent nickel cadmium, nickel metal hydride or lithium-ion batteries. Help protect our environment and conserve natural resources by returning the spent nickel cadmium, nickel metal hydride or lithium-ion batteries to an authorized BLACK+DECKER service center or to your local retailer for recycling. You may also contact your local recycling center for information on where to drop off the spent battery. RBRC® is a registered trademark of Call 2 Recycle, Inc.



## TWO-YEAR LIMITED WARRANTY

Black & Decker (U.S.) Inc. warrants this product to be free from defects in material or workmanship for a period of two (2) years following the date of purchase, provided that the product is used in a home environment. This limited warranty does not cover failures due to abuse, accidental damage or when repairs have been made or attempted by anyone other than BLACK+DECKER and its Authorized Service Centers. A defective product meeting the warranty conditions set forth herein will be replaced or repaired at no charge in either of two ways: The first, which will result in exchanges only, is to return the product to the retailer from whom it was purchased (provided that the store is a participating retailer). Returns should be made within the time period of the retailer's policy for exchanges. Proof of purchase may be required. Please check with the retailer for its specific return policy regarding time limits for returns or exchanges. The second option is to take or send the product (prepaid) to a BLACK+DECKER owned or authorized Service Center for repair or replacement at BLACK+DECKER's option. Proof of purchase may be required. BLACK+DECKER owned and authorized service centers are listed online at [www.blackanddecker.com](http://www.blackanddecker.com). This warranty does not apply to accessories. This warranty gives you specific legal rights and you may have other rights which vary from state to state. Should you have any questions, contact the manager of your nearest BLACK+DECKER Service Center. This product is not intended for commercial use, and accordingly, such commercial use of this product will void this warranty. All other guarantees, express or implied, are hereby disclaimed.

**LATIN AMERICA:** This warranty does not apply to products sold in Latin America. For products sold in Latin America, check country specific warranty information contained in the packaging, call the local company or see the website for such information.

Imported by Black & Decker (U.S.) Inc.,  
701 E. Joppa Rd.  
Towson, MD 21286



**BlackandDecker.com**  
**1-800-544-6986**

## Définitions : symboles et termes d'alarmes sécurité

Ces guides d'utilisation utilisent les symboles et termes d'alarmes sécurité suivants pour vous prévenir de situations dangereuses et de risques de dommages corporels ou matériels.

**⚠ DANGER :** indique une situation dangereuse imminente qui, si elle n'est pas évitée, **entraînera la mort ou des blessures graves.**

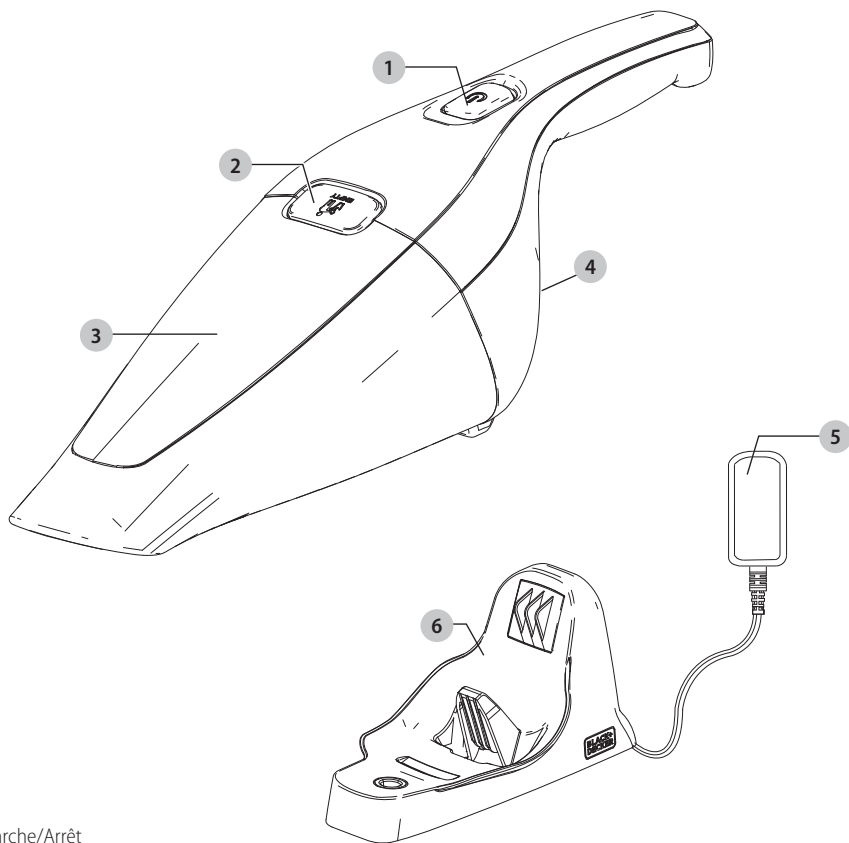
**⚠ AVERTISSEMENT :** indique une situation potentiellement dangereuse qui, si elle n'est pas évitée, **pourrait entraîner la mort ou des blessures graves.**

**⚠ ATTENTION :** indique une situation potentiellement dangereuse qui, si elle n'est pas évitée, **pourrait entraîner des blessures légères ou modérées.**

**⚠** (Si utilisé sans aucun terme) Indique un message propre à la sécurité.

**AVIS :** indique une pratique ne posant **aucun risque de dommages corporels** mais qui par contre, si rien n'est fait pour l'éviter, **pourrait** poser des **risques de dommages matériels.**

Fig. A



- 1 Bouton Marche/Arrêt
- 2 Bouton de libération du compartiment
- 3 Compartiment à poussière
- 4 Bornes de recharge
- 5 Chargeur
- 6 Chargeur de base



**⚠️ AVERTISSEMENT!** *lire tous les avertissements de sécurité et toutes les directives.* Le non-respect des avertissements et des directives pourrait se solder par un choc électrique, un incendie et/ou une blessure grave.

**⚠️ AVERTISSEMENT :** afin de réduire le risque de blessures, lire le mode d'emploi de l'outil.

## CONSIGNES DE SÉCURITÉ IMPORTANTES

Lors de l'utilisation d'appareils électriques, toujours observer des précautions de base, notamment les suivantes :

### LIRE TOUTES LES CONSIGNES AVANT D'UTILISER L'APPAREIL ÉLECTRIQUE.

**⚠️ AVERTISSEMENT :** *lire tous les avertissements de sécurité et toutes les consignes.* Le non-respect des avertissements et des directives ci-dessous peut entraîner des risques de choc électrique, d'incendie ou de blessures graves.

**⚠️ AVERTISSEMENT :** certaines poussières domestiques contiennent des produits chimiques identifiés par l'État de Californie comme pouvant causer le cancer, des anomalies congénitales et d'autres dangers pour la reproduction, tels que l'amiante et le plomb contenu dans les peintures au plomb.

**⚠️ AVERTISSEMENT :** ne pas tenter de modifier ou réparer l'appareil.

**⚠️ AVERTISSEMENT :** ne pas charger la batterie à des températures ambiantes inférieures à 4 °C (39 °F) ou supérieures à 40 °C (104 °F). Suivez les instructions de recharge et ne pas recharger l'appareil hors de la plage de températures indiquée dans les instructions. Recharger de façon inappropriée ou hors de la plage de températures indiquée peut endommager le bloc-piles et augmenter le risque d'incendie.

**⚠️ AVERTISSEMENT :** afin de réduire le risque d'incendie, de choc électrique ou de blessure :

- Danger de choc électrique. Afin de vous protéger contre le danger de choc électrique, ne pas mettre le poste de recharge dans l'eau ou autre liquide.
- Ne pas permettre l'utilisation de l'appareil comme jouet. Une étroite surveillance est nécessaire si l'appareil est utilisé par des enfants ou près de ceux-ci.
- Utiliser l'appareil uniquement selon les indications données dans le présent manuel. Utiliser uniquement les accessoires recommandés par le fabricant.
- Ne pas utiliser l'appareil si sa fiche ou son cordon est endommagé. Si un appareil ne fonctionne pas comme il devrait, s'il est tombé au sol ou dans l'eau, s'il est endommagé ou s'il a été laissé à l'extérieur, l'envoyer à un centre de réparation.
- Ne pas tirer sur le cordon, ni transporter l'outil par le cordon, ne pas utiliser le cordon comme poignée, ni fermer une porte dessus, ni tirer le cordon contre des bords tranchants ou des coins. Ne pas passer l'appareil sur le cordon. Tenir le cordon éloigné des surfaces chauffées.
- Ne pas débrancher l'appareil en tirant sur son cordon. Pour le débrancher, saisir la fiche et non le cordon.
- Ne pas manipuler la fiche si vous avez les mains mouillées.
- Ne pas insérer d'objet dans les ouvertures de l'appareil. Ne pas utiliser l'appareil si ses ouvertures sont bouchées; les tenir exemptes de poussière, de peluche, de cheveux et de toute chose pouvant réduire la circulation d'air.
- Tenir les cheveux, les vêtements, les doigts et toutes les parties du corps à distance des ouvertures et des pièces mobiles.
- Être très prudent lors du nettoyage des escaliers.
- Ne pas utiliser cet appareil pour ramasser des liquides inflammables ou des combustibles comme de l'essence et ne pas l'utiliser dans les endroits où ces substances sont présentes.
- Ne pas ramasser de matières brûlantes ou fumantes comme des cigarettes, des allumettes ou des cendres chaudes.
- Utiliser uniquement l'appareil si le sac à poussière, les filtres ou les deux sont en place.
- Ne pas charger l'appareil à l'extérieur.
- Utilisez seulement le chargeur fourni par le fabricant pour recharger.
- Ne pas brûler l'appareil même s'il est gravement endommagé. Les piles peuvent exploser et causer un incendie.
- L'appareil est conçu pour une utilisation domestique seulement et non industrielle ou commerciale.
- Ne pas laisser le cordon pendre sur le bord d'une table ou d'un comptoir, ni toucher des surfaces chaudes. L'appareil doit être placé ou fixé loin de tout évier et de toute surface chaude.
- Brancher l'appareil directement dans une prise électrique.
- Brancher uniquement l'appareil dans une prise électrique d'automobile standard.
- Débrancher l'appareil avant tout nettoyage ou entretien de routine.

## FRANÇAIS

- Ne pas regarder dans les événements lorsque l'appareil est en marche, car il arrive parfois que de petits débris s'en échappent, surtout après un nettoyage ou un remplacement de filtre qui aurait tendance à les libérer.
- Sous conditions extrêmes, une fuite des cellules du bloc-piles peut se produire. Si le liquide (qui est une solution de 20 à 35 % d'hydroxyde de potassium) se retrouve sur l'épiderme, (1) laver sans attendre à l'eau et savon et (2) neutraliser avec un produit légèrement acide comme du jus de citron ou du vinaigre. Si de l'électrolyte atteint les yeux, rincer à l'eau courante sur le champ pour une durée minimum de 10 minutes.. Solliciter une attention médicale.

## CONSIGNES DE SÉCURITÉ ADDITIONNELLES

- Prévention du démarrage intempestif. S'assurer que le commutateur est en position Arrêt avant de manipuler l'appareil.** Transporter l'appareil avec votre doigt sur l'interrupteur ou mettre sous tension un appareil dont le commutateur de marche est fermé favorise les accidents.
- Le recharger seulement avec le chargeur spécifié par le fabricant.** Un chargeur propre à un type de bloc-piles peut créer des risques d'incendie lorsqu'utilisé avec d'autres blocs-piles.
- Ne pas utiliser un bloc-piles ou un appareil endommagé ou modifié.** Un bloc-piles endommagé ou modifié pourrait se comporter de façon imprévisible et poser des risques d'incendie, d'explosion ou de dommages corporels.
- Ne pas exposer un bloc-piles ou un appareil au feu, ou à des températures excessives.** Toute exposition au feu ou à des températures supérieures à 130 °C (266 °F) pose des risques d'explosion.
- Faire entretenir cet appareil par un réparateur qualifié qui n'utilisera que des pièces de rechange identiques.** Cela permettra d'assurer l'intégrité du produit et la sécurité de l'utilisateur.
- Utilisez seulement avec des chargeurs SSC-040015US et S003BDU0500015.**

# CONSERVER CES DIRECTIVES

## SYMBOLES

L'étiquette apposée sur votre outil pourrait comprendre les symboles suivants. Les symboles et leurs définitions sont indiqués ci-après :

- V.....volts
- A.....ampères
- Hz.....hertz
- W.....watts
- min.....minutes
- ~ ou AC.....courant alternatif
- ou DC.....courant continu
- n<sub>o</sub>.....sous vide
- ⓘ.....Construction de classe I
- ⊕.....borne de mise à la minute (mis à la terre)

- ☐.....Construction de classe II
- ⚠.....symbole d'avertissement
- .../min.....tours à la minute
- Wh.....Watt Heures

## ASSEMBLAGE

**AVERTISSEMENT :** Ne pas tenter de modifier ou de réparer l'appareil.

### Utilisation prévue

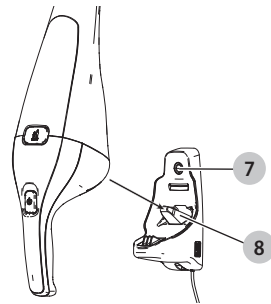
Votre aspirateur sans fil au lithium-ion BLACK + DECKER a été conçu pour le nettoyage à sec léger. Cet appareil est conçu pour un usage domestique seulement.

### Fixation au mur (Fig. B)

Le produit peut être fixé à un mur pour un entreposage pratique et un point de chargement pour l'appareil. Lorsque vous fixez au mur, assurez-vous la méthode de fixation convient au type de mur et qu'elle est appropriée pour le poids de l'appareil.

1. Indiquez l'emplacement des trous des vis du chargeur de base **7** sur le mur (à proximité d'une prise électrique pour le chargement de l'aspirateur pendant qu'il est sur le support mural).
2. Fixez le chargeur de base au mur à l'aide de vis et de chevilles appropriées pour le type de mur et le poids de l'appareil.
3. Suspendez l'appareil en plaçant l'ouverture de la base de l'aspirateur sur le crochet **8** sur le chargeur de base.

Fig. B



### Charger la pile

**AVERTISSEMENT :** Pour utilisation avec le chargeur fourni seulement.

**AVERTISSEMENT :** Avant la recharge, s'assurer de vider le bac à poussière et s'il y a des traces d'humidité ou d'éclaboussures, les essuyer pour éviter tout accident.

1. Avant la première utilisation, la pile doit être chargée pendant au moins 10 heures.
2. Placez l'appareil sur le support de recharge lorsqu'il n'est pas utilisé.
3. S'assurer que l'appareil est éteint.

4. Placez l'appareil sur le chargeur de base 6.
5. Branchez le chargeur 5.
6. Laissez l'appareil se charger pendant au moins 9 heures.

**REMARQUE :** Lors de la recharge, le chargeur pourrait devenir chaud. C'est normal et cela n'indique pas un problème. L'appareil peut être laissé connecté au chargeur pour une durée indéterminée.

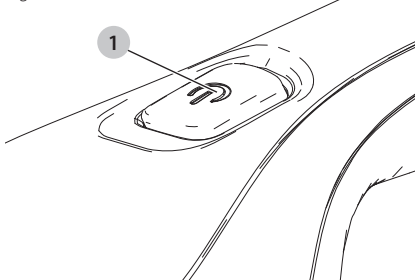
**⚠ AVERTISSEMENT :** *Ne pas recharger le bloc-piles à des températures sous 4 °C (39 °F) ou au-dessus de 40 °C (104 °F).*

## Voyant DEL de chargement

1. Durant le chargement, le voyant DEL rouge sur le chargeur 5 s'allumera.
2. Lorsque le chargement est terminé, le voyant DEL rouge s'éteint.

## Mettre en marche (Fig. C)

1. Pour mettre l'appareil en marche, appuyez et maintenez le bouton Marche/Arrêt 1.
2. Lorsque le bouton est relâché, l'aspirateur s'éteint.



## Ramassage à sec

Pour les déversements quotidiens de matière sèche.

- Ne pas remplir le compartiment à poussière 3 au-delà de l'extrémité du conduit d'aspiration.

## Optimiser la force de succion

Afin de conserver l'optimisation de la force de succion, les filtres doivent être nettoyés régulièrement durant l'utilisation.

## Vider et nettoyer le produit

### Retirer le compartiment à poussière et le filtre (Fig. D, E)

**⚠ AVERTISSEMENT :** *Le filtre est réutilisable et doit être nettoyé régulièrement.*

1. Appuyez sur le bouton de libération du compartiment 2 et tirez le compartiment à poussière 3 comme illustré dans la Fig. D.
2. Tout en tenant le compartiment à poussière au-dessus de la poubelle, sortez le filtre 9 pour viser le contenu comme illustré dans la Fig. E.

3. Insérez le filtre nettoyé 9 dans le compartiment à poussière 3.
4. Pour remettre le bac à poussière, poussez-le dans la poignée de l'unité jusqu'à ce qu'il clique solidement en place.

**⚠ AVERTISSEMENT :** *Ne jamais utiliser cet appareil sans les filtres. La collecte de poussière optimale ne sera possible que si vous utilisez un filtre propre.*

Fig. D

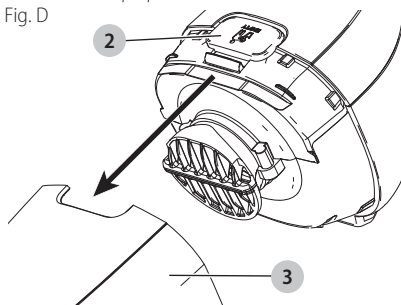
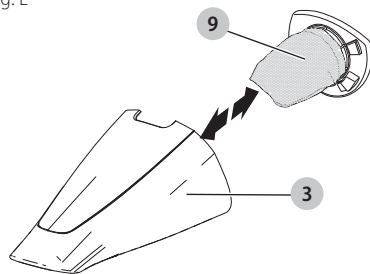


Fig. E



## Nettoyer le compartiment à poussière et le filtre

Le compartiment à poussière et le filtre peuvent être lavés dans de l'eau tiède et savonneuse.

1. Assurez-vous que le filtre 9 et le compartiment à poussière 3 sont secs avant de les réinstaller.

## Remplacer les filtres

Les filtres doivent être remplacés tous les 6 à 9 mois et lorsqu'ils sont usés ou endommagés. Les filtres de remplacement sont disponibles chez votre détaillant BLACK+DECKER.

Visitez [www.blackanddecker.com](http://www.blackanddecker.com) pour trouver les détaillants.

- Retirez les anciens filtres comme décrit dans **Nettoyage des filtres**.
- Mettez les nouveaux filtres comme décrit dans **Nettoyage des filtres**.

(N° de cat. : HNVCF10)

Ceux-ci s'ajustent à tous les modèles. À la fin de leur vie, ces filtres doivent être disposés dans votre centre de recyclage local.

## ENTRETIEN

Utilisez seulement un savon doux et un linge humide pour nettoyer l'aspirateur. Ne jamais laisser de liquide entrer à l'intérieur de l'aspirateur; ne jamais immerger toute partie de l'aspirateur dans un liquide.



**AVERTISSEMENT :** *Assurez-vous que l'aspirateur est complètement sec avant de l'utiliser.*

**IMPORTANT :** Afin d'assurer votre SÉCURITÉ et la FIABILITÉ du produit, les réparations, l'entretien et les ajustements (autres que ceux énumérés dans le présent manuel) doivent être effectués dans un centre de service BLACK+DECKER ou une entreprise de service autorisée, toujours en utilisant des pièces de remplacement identiques.

## DÉPANNAGE

L'appareil ne fonctionne pas. Contrôler ce qui suit :

- Le chargeur avait été branché pour la recharge (Il sera légèrement chaud au toucher.)
- Le cordon du chargeur n'est pas endommagé et bien fixé.
- Le chargeur est branché dans une prise de courant.

Pour obtenir de l'aide au sujet du produit, visitez notre site Web [www.blackanddecker.com](http://www.blackanddecker.com) pour la localisation du centre de service le plus près de chez vous ou utilisez la ligne d'aide de BLACK+DECKER **1-800-544-6986**.

## ACCESSOIRES

Les accessoires recommandés pour utilisation avec votre appareil sont disponibles chez votre détaillant local ou dans un centre de services autorisé. Si vous avez besoin d'aide concernant les accessoires, veuillez appeler au : **1-800-544-6986**.



**AVERTISSEMENT :** *L'utilisation de tout accessoire non conçu pour cet appareil pourrait être dangereuse.*

## RENSEIGNEMENTS DE SERVICE

Le personnel de tous les centres de service BLACK+DECKER a été formé pour offrir à la clientèle un service efficace et fiable de service des outils que nous fabriquons. Que vous ayez besoin d'un avis, de réparation ou de pièce de remplacement d'origine, communiquez avec la succursale Black+Decker de votre localité. Pour localiser votre service

local, appelez : **1-800-544-6986** ou visitez [www.blackanddecker.com](http://www.blackanddecker.com)

## Le sceau SRPRC®

Le sceau SRPRC® (Société de recyclage des piles rechargeables du Canada) apposé sur une pile au nickel-cadmium, à hydrure métallique de nickel ou au lithium-ion (ou un bloc-piles) indique que les coûts de recyclage de ces derniers en fin d'utilisation ont déjà été réglés par DeWALT. Dans certaines régions, la mise au rebut ou aux ordures municipales des piles au nickel-cadmium, à l'hydrure métallique de nickel ou au lithium-ion, est illégale ; le programme de l'Appel à Recycler® constitue donc une solution pratique et écologique.

Appel à Recycler Canada, Inc., en collaboration avec DeWALT et d'autres utilisateurs de piles, a mis sur pied de programme aux États-Unis et au Canada pour faciliter la collecte des piles au nickel-cadmium, à l'hydrure métallique de nickel ou au lithium-ion usagées. Aidez-nous à protéger l'environnement et à conserver nos ressources naturelles en renvoyant les piles au nickel-cadmium, à l'hydrure métallique de nickel ou au lithium-ion usagées à un centre de réparation autorisé DeWALT ou chez votre détaillant afin qu'elles y soient recyclées. On peut en outre se renseigner auprès d'un centre de recyclage local pour connaître d'autres sites les acceptant.

SRPRC® est une marque déposée de l'Appel à Recycler Canada, Inc.



## GARANTIE LIMITÉE DE DEUX ANS

Black & Decker (É.-U.) Inc. garantit que le produit est exempt de défauts de matériau et de fabrication pendant deux(2) ans à partir de la date d'achat, à condition que le produit soit utilisé en milieu domestique. La présente garantie limitée ne couvre pas les défaillances provoquées par un abus, un dommage accidentel ou des réparations ou tentatives de réparations effectuées par toute autre personne que le personnel de BLACK+DECKER et de ses centres de réparation agréés. Un produit défectueux qui remplit les conditions stipulées par la présente garantie sera remplacé ou réparé sans frais d'une des deux façons suivantes :

La première façon consiste en un échange chez le détaillant où le produit a été acheté (à la condition que le magasin soit un détaillant participant). Tout retour doit se faire durant la période correspondant à la politique d'échange du détaillant. Une preuve d'achat peut être requise. Prière de vérifier la politique de retour du détaillant au sujet des délais impartis pour les retours ou les échanges.

La deuxième option est d'apporter ou d'envoyer le produit (en port payé) à un centre de réparation agréé ou à un centre de réparation BLACK+DECKER pour faire réparer ou échanger le produit, à la discrétion de BLACK+DECKER. Une preuve d'achat peut être requise. Les centres de réparation de BLACK+DECKER et les centres de réparation ou en ligne sur [www.blackanddecker.com](http://www.blackanddecker.com).

Cette garantie ne s'applique pas aux accessoires. Cette garantie accorde des droits légaux propres au propriétaire de l'outil. Ce dernier pourrait avoir d'autres droits selon l'État ou la province qu'il habite. Pour toute question, communiquer avec le directeur du centre de réparation BLACK+DECKER le plus près. Ce produit n'est pas destiné à un usage commercial. L'usage commercial de ce produit annule par conséquent cette garantie. Toutes autres garanties, expresses ou implicites, sont déclinées par la présente.

Importé par Black & Decker (U.S.) Inc.,  
701 E. Joppa Rd.  
Towson, MD 21286



**BlackandDecker.com**  
1-800-544-6986

## Definiciones: Símbolos y palabras de alerta de seguridad

Este manual de instrucciones utiliza los siguientes símbolos y palabras de alerta de seguridad para alertarle de situaciones peligrosas y del riesgo de lesiones corporales o daños materiales.

**⚠ PELIGRO:** Indica una situación de peligro inminente que, si no se evita, provocará **la muerte o lesiones graves**.

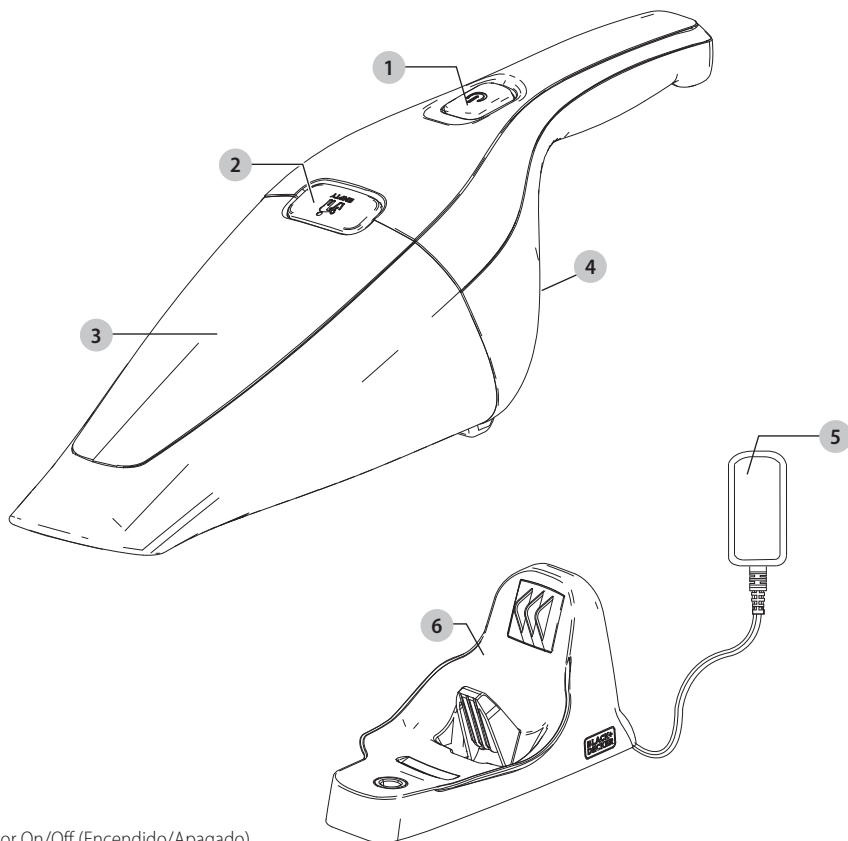
**⚠ ADVERTENCIA:** Indica una situación de peligro potencial que, si no se evita, **podría provocar la muerte o lesiones graves**.

**⚠ ATENCIÓN:** Indica una situación de peligro potencial que, si no se evita, **posiblemente provocaría lesiones leves o moderadas**.

**⚠** (Utilizado sin palabras) indica un mensaje de seguridad relacionado.

**AVISO:** Se refiere a una práctica **no relacionada a lesiones corporales** que de no evitarse **puede resultar en daños a la propiedad**.

Fig. A



- 1 Interruptor On/Off (Encendido/Apagado)
- 2 Botón de liberación de tazón
- 3 Tazón de polvo
- 4 Terminales de carga
- 5 Cargador
- 6 Cargador de base

**!** **¡ADVERTENCIA!** Lea todas las advertencias de seguridad e instrucciones. El incumplimiento de las advertencias e instrucciones puede provocar descargas eléctricas, incendios o lesiones graves.



**ADVERTENCIA:** Para reducir el riesgo de lesiones, lea el manual de instrucciones.

## INSTRUCCIONES DE SEGURIDAD IMPORTANTES

Al utilizar aparatos eléctricos, siempre deben seguirse algunas precauciones básicas, entre las que se incluyen:

### LEA TODAS LAS INSTRUCCIONES ANTES DE UTILIZAR ESTE APARATO.

**!** **ADVERTENCIA:** lea todas las advertencias de seguridad y todas las instrucciones. El incumplimiento de cualquiera de las advertencias e instrucciones indicadas a continuación puede provocar una descarga eléctrica, un incendio y/o lesiones graves.

**!** **ADVERTENCIA:** Algunos tipos de polvo doméstico contienen sustancias químicas, como el asbesto y el plomo de las pinturas a base plomo, reconocidas por el Estado de California como causantes de cáncer, defectos de nacimiento u otros problemas reproductivos.

**!** **ADVERTENCIA:** No intente modificar o reparar el aparato.

**!** **ADVERTENCIA:** No cargue la batería a temperaturas ambientales inferiores 4 °C (39 °F) o superiores a 40 °C (104 °F). Siga todas las instrucciones de carga y no cargue el aparato fuera del rango de temperatura especificado en las instrucciones. Cargar inadecuadamente o en una temperatura fuera del rango especificado puede dañar la batería e incrementar el riesgo de incendio.

**!** **ADVERTENCIA:** Para reducir el riesgo de incendios, descarga eléctrica, o lesiones:

- Riesgo de descarga eléctrica. Para protegerse contra riesgo de descarga eléctrica, no coloque la base de carga en agua u otro líquido

- No permita que se utilice como juguete. Debe prestar especial atención cuando los niños la utilicen o al utilizarla cerca de ellos.
- Utilícela únicamente como se describe en este manual. Utilice únicamente aditamentos recomendados por el fabricante.
- No utilice la unidad con el cable o el enchufe dañados. Si el aparato no funciona como corresponde, se ha caído, dañado, dejado al aire libre o sumergido en agua, devuélvalo a un centro de mantenimiento.
- No arrastre ni transporte la unidad por el cable, no utilice el cable como un mango, no cierre una puerta sobre el cable ni tire de este cerca de bordes o esquinas filosas. No pase sobre el cable con el aparato funcionando. Mantenga el cable alejado de superficies calientes.
- No desenchufe la unidad tirando del cable. Para desenchufarla, sujete el enchufe, no el cable.
- No manipule el enchufe con las manos mojadas.
- No inserte ningún objeto en los orificios de la unidad. No la utilice si alguno de los orificios está bloqueado, manténgala libre de polvo, pelusas, pelos y cualquier cosa que pueda reducir el flujo de aire.
- Mantenga el cabello, las ropas holgadas, los dedos y todas las partes del cuerpo alejados de los orificios y de las piezas en movimiento.
- Tenga mucho cuidado al limpiar en escaleras.
- No utilice la unidad para recoger líquidos inflamables o combustibles, como gasolina, ni la utilice en áreas en las que estas sustancias puedan estar presentes.
- No recoja ninguna cosa que esté quemándose o humeante, como cigarrillos, fósforos o cenizas calientes.
- No utilice la unidad sin la bolsa para polvo y/o los filtros en su lugar.
- No cargue la unidad en exteriores.
- Sólo use el cargador incluido por el fabricante para recargar.
- No incinere el aparato incluso si está severamente dañado. Las baterías pueden explotar en el fuego.
- Este aparato está diseñado para uso doméstico solamente y no para uso comercial o industrial.
- No permita que el cable cuelgue sobre el borde de una mesa o mostrador, o toque superficies calientes. La unidad debe colocarse o montarse lejos de fregaderos y superficies calientes.
- Enchufe la unidad directamente en un tomacorriente.
- Enchufe la unidad solo en un tomacorriente estándar de automóvil.
- Desenchufe la unidad del tomacorriente antes de realizar una limpieza o mantenimiento de rutina.
- No mire por los orificios de ventilación mientras la unidad esté encendida, ya que a veces existe la posibilidad de que pequeños residuos salgan disparados por dichos orificios, especialmente después de limpiar/reemplazar los filtros, ya que los residuos dentro de la unidad pueden desplazarse.

- Pueden ocurrir fugas de las celdas de la batería bajo condiciones extremas. Si el líquido, que es una solución de 20-35% de hidróxido de potasio, tiene contacto con la piel (1) lave rápidamente con agua y jabón o (2) neutralice con un ácido suave tal como jugo de limón o vinagre. Si el líquido entra en los ojos, lávelos de inmediato con agua limpia por un mínimo de 10 minutos. Busque atención médica

**ADVERTENCIAS DE SEGURIDAD ADICIONALES**

- a) **Evite el arranque no intencional. Asegure que el interruptor esté en la posición apagada antes de recoger o transportar el aparato.** Transportar el aparato con su dedo en el interruptor o energizar el aparato que tenga el interruptor encendido puede provocar accidentes
- b) **Recárguese sólo con el cargador especificado por el fabricante.** Un cargador que sea adecuado para un tipo de batería puede ocasionar un riesgo de incendio si se utiliza con otra batería.
- c) **No utilice una batería o aparato que esté dañado o modificado.** Las baterías dañadas o modificadas pueden funcionar de forma imprevisible y ocasionar un incendio, explosión o riesgo de lesión.
- d) **No exponga una batería o aparato al fuego ni a una temperatura excesiva.** La exposición al fuego o a una temperatura superior a los 130°C (266°F) puede ocasionar una explosión.
- e) **La reparación debe realizarse por una persona calificada para realizar reparaciones que use solamente repuestos idénticos.** Así se asegurará que se mantenga la seguridad del producto.
- f) Sólo use con cargadores SSC-040015US y S003BDU0500015.

**CONSERVE ESTE MANUAL**

**SÍMBOLOS**

La etiqueta de su herramienta puede incluir los siguientes símbolos. Los símbolos y sus definiciones son los siguientes:

- V.....voltios
- A.....amperios
- Hz.....hertz
- W.....vatios
- min.....minutos
- ~ o AC.....corriente alterna
- o DC.....corriente directa
- n.....no velocidad sin carga
- ⚡.....Construcción Clase I
- ⊕.....terminal a tierra (mis a la terre)
- ⊞.....Construcción de clase II
- ⚠.....símbolo de alerta
- .../min.....revoluciones o minuto seguridad
- Wh.....Watt Horas

**ENSAMBLE**

**⚠ ADVERTENCIA:** No intente modificar o reparar el aparato.

**Uso pretendido**

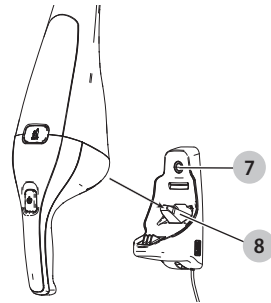
Su aspiradora inalámbrica de ion de litio BLACK+DECKER se diseñó para propósitos de aspirado en seco ligero. Este aparato está diseñado para uso doméstico únicamente.

**Montaje en pared (Fig. B)**

El producto se puede colocar en una pared para proporcionar un almacenamiento conveniente y un punto de carga para el aparato. Cuando se monte en una pared, asegúrese que el método de montaje sea adecuado para el tipo de pared y que sea apropiado para el peso del aparato.

1. Marque la ubicación de los orificios para tornillos del cargador base 7 en la pared (al alcance de un tomacorriente para cargar la aspiradora mientras está en el soporte de pared).
2. Fije el cargador base a la pared con los tornillos y los tapones adecuados para el tipo de pared y el peso del aparato.
3. Cuelgue el aparato colocando la abertura de la base de la aspiradora sobre el gancho 8 en el cargador base.

Fig. B



**Carga de la batería**

**⚠ ADVERTENCIA:** Sólo para uso con el cargador incluido.

**⚠ ADVERTENCIA:** Antes de cargar, asegúrese de vaciar todo el contenido y seque minuciosamente para evitar daño a su aparato.

1. Antes del primer uso, la batería se debe cargar por lo menos 10 horas.
2. Coloque el aparato en el soporte de carga cuando no esté en uso.
3. Asegúrese que el aparato esté apagado.
4. Coloque el aparato sobre el cargador base 6.
5. Conecte el cargador 5.
6. Deje que el aparato se cargue durante al menos 9 horas.



**NOTA:** Mientras carga, el cargador puede volverse caliente al tacto. Esto es normal y no indica un problema. El aparato se puede dejar conectado al cargador indefinidamente.

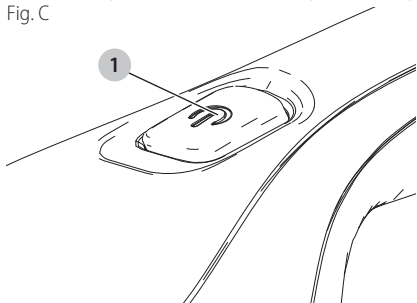
**⚠ ADVERTENCIA:** No cargue la batería en temperaturas ambiente menores a 39 °F (4 °C) o mayores a 104 °F (40 °C).

### LED indicador de carga

1. Mientras carga, el LED rojo en el cargador **5** se iluminará.
2. Cuando se complete la carga, el LED rojo se apagará.

### Encendido (Fig. C)

1. Para encender el aparato, presione y sostenga el botón de encendido/apagado **1**.
  2. Una vez que se libere el botón la aspiradora se apagará.
- Fig. C



### Recolección seca

Para derrames cotidianos de material seco.

- No llene el recipiente para el polvo **3** más allá del extremo del conducto de entrada.

### Optimización de fuerza de succión

Para mantener la fuerza de succión optimizada, los filtros deben limpiarse regularmente durante el uso.

### Vaciado y limpieza del producto

#### Extracción del tazón para polvo y filtro (Fig. D, E)

**⚠ ADVERTENCIA:** El filtro es reutilizable y debe limpiarse regularmente.

1. Presione el botón de liberación del tazón **2** y jale el tazón de polvo **3** hacia afuera como se muestra en la Fig. D.
2. Mientras sostiene el tazón para polvo sobre un bote de basura, saque el filtro **9** para vaciar el contenido como se muestra en la Fig. E.
3. Inserte el filtro limpio **9** en el tazón para polvo **3**.
4. Para volver a colocar el tazón para polvo, empujelo sobre la manija hacia atrás que haga clic firmemente en su lugar.

**⚠ ADVERTENCIA:** Nunca use el aparato sin los filtros. La recolección óptima de polvo sólo se logrará con un filtro limpio.

Fig. D

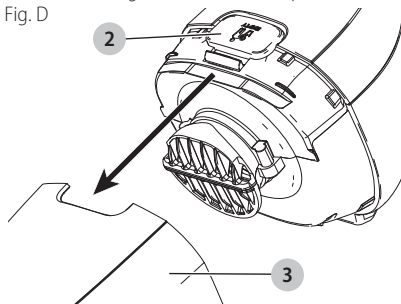
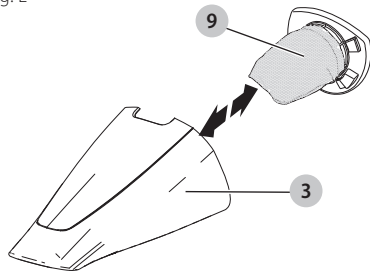


Fig. E



### Limpieza de tazón de polvo y filtro

El recipiente para polvo y el filtro se pueden lavar con agua tibia y jabón.

1. Asegúrese que el filtro **9** y el tazón para polvo **3** estén secos antes de la instalación.

### Reemplazo de filtros

Los filtros deben reemplazarse cada 6 a 9 meses y siempre que estén desgastados o dañados. Los filtros de repuesto están disponibles en su distribuidor BLACK+DECKER.

Visite [www.blackanddecker.com](http://www.blackanddecker.com) para localizar distribuidores.

- Retire los filtros viejos como se describe en **Limpieza de los filtros**.
- Ajuste los nuevos filtros como se describe en **Limpieza de los filtros**.

(cat. no: HNVCF10)

Éstas se ajustan a todas las unidades. Cuando estos filtros alcanzan el fin de su vida útil se deben desechar en un centro de reciclaje local.

### MANTENIMIENTO

Use sólo jabón suave y una tela húmeda para limpiar la aspiradora. Nunca permita que entre líquido a la aspiradora; nunca sumerja ninguna parte de la aspiradora en líquido.

**⚠ ADVERTENCIA:** Asegúrese que la aspiradora esté completamente seca antes de usarla.

## ESPAÑOL

**IMPORTANTE:** Para garantizar la SEGURIDAD y CONFIABILIDAD del producto, las reparaciones, mantenimiento y ajuste (diferentes a las indicadas en este manual) sólo deben realizar por centros de servicio autorizados u otras organizaciones de servicio calificado, utilizando siempre partes de reemplazo idénticas.

## SOLUCIÓN DE PROBLEMAS

Si el producto no funciona, revise lo siguiente:

- El cargador se conectó correctamente para recarga. (Se siente ligeramente caliente al tacto.)
- El cable del cargador no está dañado y está conectado correctamente.
- El cargador está conectado en un tomacorriente eléctrico que funciona.

Para asistencia con su producto, visite nuestro sitio de Internet

[www.blackanddecker.com](http://www.blackanddecker.com) respecto a una ubicación del centro de servicio más cercano a usted o llame a la línea de ayuda de BLACK+DECKER al **1-800-544-6986**.

## ACCESORIOS

Los accesorios recomendados para uso con su aparato están disponibles a partir de su distribuidor local o centro de servicio autorizado. Si necesita asistencia respecto a los accesorios, por favor llame al: **1-800-544-6986**.

**⚠ ADVERTENCIA:** *El uso de cualquier accesorio no recomendado para uso con este aparato podría ser peligroso.*

## INFORMACIÓN DE SERVICIO

Todos los Centros de Servicio BLACK+DECKER son atendidos por personal capacitado para proporcionar a los clientes un servicio eficiente y confiable de las herramientas eléctricas. Si necesita consejo técnico, reparación, o partes de reemplazo genuinas de fábrica, póngase en contacto con la ubicación BLACK+DECKER más cercana. Para encontrar su ubicación de servicio local, llame al: **1-800-544-6986** o visite

[www.blackanddecker.com](http://www.blackanddecker.com)

## El sello RBRC®

El sello RBRC® (Rechargeable Battery Recycling Corporation) en las baterías (unidades de batería) de níquel cadmio, níquel e hidruro metálico o de iones de litio indica que el costo de reciclaje de estas baterías (o unidades de batería) al llegar al final de su vida de servicio ya ha sido pagado por DeWALT. En algunas áreas, es ilegal depositar baterías de níquel cadmio, níquel e hidruro metálico o de iones de litio gastadas en la basura o la corriente de residuos sólidos urbanos; el programa Call 2 Recycle® proporciona una alternativa ecológica.

Call 2 Recycle, Inc., en cooperación con DeWALT y otros usuarios de baterías, han establecido programas en los Estados Unidos y Canadá para facilitar la recolección de baterías de níquel cadmio, níquel e hidruro metálico o de iones de litio gastadas. Al llevar sus baterías de níquel cadmio, níquel e hidruro metálico y de iones de litio gastadas a un centro de servicio autorizado por DeWALT o al minorista local para que sean recicladas, ayuda a proteger el medio ambiente y a conservar recursos naturales. También puede comunicarse con el centro de reciclaje de su localidad para mayor información sobre dónde llevar sus baterías gastadas.

RBRC® es una marca comercial registrada de Call 2 Recycle, Inc.



## GARANTÍA LIMITADA DE DOS AÑOS

Black & Decker (U.S.) Inc. garantiza que este producto está libre de defectos de material o mano de obra durante un período de dos (2) años desde la fecha de compra, siempre y cuando el producto se utilice en un entorno doméstico. Esta garantía limitada no cubre contra fallas debidas a mal uso, daño accidental o cuando se han realizado o intentado reparaciones por parte de cualquier otra persona ajena a BLACK+DECKER y sus centros de mantenimiento autorizados. Un producto defectuoso que cumple con las condiciones de la garantía establecidas en el presente documento será reemplazado o reparado sin costo de una dos maneras:

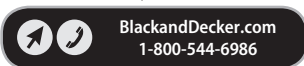
La primera, que únicamente dará lugar a intercambios, consiste en devolver el producto al comerciante minorista donde fue comprado (siempre y cuando la tienda sea un comerciante minorista participante). Las devoluciones deben realizarse dentro del período establecido en la política para intercambios del comerciante minorista. Es posible que se requiera el comprobante de compra. Consulte al comerciante minorista sobre su política específica de devoluciones con respecto a los límites de tiempo para devoluciones o intercambios.

La segunda opción es llevar o enviar (pagado por adelantado) el producto a un centro de mantenimiento de propiedad o con autorización de BLACK+DECKER para su reparación o reemplazo a discreción de BLACK+DECKER. Es posible que se requiera un comprobante de compra. Los centros de mantenimiento de propiedad o con autorización de BLACK+DECKER en línea en [www.blackanddecker.com](http://www.blackanddecker.com).

Esta garantía no se aplica a los accesorios. Esta garantía le otorga derechos legales específicos y es posible que tenga otros derechos que varían de un estado a otro. En caso de que tenga alguna pregunta, comuníquese con el gerente del centro de mantenimiento de BLACK+DECKER más cercano a usted. Este producto no está diseñado para uso comercial y, en consecuencia, dicho uso comercial de este producto anulará la garantía. Por medio del presente documento, se declina la responsabilidad de todas las demás garantías, explícitas o implícitas.

AMÉRICA LATINA: Esta garantía no se aplica a productos vendidos en América Latina. Para los productos que se venden en América Latina, consulte la información de garantía específica del país contenida en el empaque, llame a la compañía local o visite el sitio web para obtener dicha información.

Importado por Black & Decker (U.S.) Inc.,  
701 E. Joppa Rd.  
Towson, MD 21286



## SOLAMENTE PARA PROPOSITOS DE MEXICO

### **Grupo Realsa en herramientas, S.A. de C.V.**

Súper Manzana 69 MZ.01 Lote 30  
(Av. Torcasita)  
Col. Puerto Juárez  
Cancún, Quintana Roo  
Tel. 01 998 884 72 27

### **Ferre Pat de Puebla, S.A. de C.V.**

16 de Septiembre No. 6149  
Col. El Cerrito  
Puebla, Puebla  
Tel. 01 222 264 12 12

### **Ferre Pat de Puebla, S.A. de C.V.**

Ejército Mexicano No. 15  
Col. Ejido 1ro. de Mayo  
Boca del Río, Veracruz  
Tel. 01 229 167 89 89

### **Servicio de Fabrica BLACK+DECKER, S.A. de C.V.**

Lázaro Cardenas No. 18  
Col. Obrera  
Distrito Federal  
Tel. 55 88 95 02

### **Representaciones Industriales Robles, S.A. de C.V.**

Tezozomoc No. 89  
Col. La Preciosa  
Distrito Federal  
Tel. 55 61 86 82

### **Gpo. Comercial de Htas. y Refacciones de Occidente, S.A. de C.V.**

Av. La Paz No. 1779  
Col. Americana, S. Juaréz  
Guadalajara, Jalisco  
Tel. 01 33 38 25 69 78

### **Herramientas y Equipos Profesionales**

Av. Colón 2915 Ote.  
Col. Francisco I. Madero  
Monterrey, Nvo. León  
Tel. 01 81 83 54 60 06

### **Htas. Portátiles de Chihuahua, S.A. de C.V.**

Av. Universidad No. 2903  
Col. Fracc. Universidad  
Chihuahua, Chihuahua  
Tel. 01 614 413 64 04

### **Fernando González Armenta**

Bolivia No. 605  
Col. Felipe Carrillo Puerto  
Cd. Madero, Tamaulipas  
Tel. 01 833 221 34 50

### **Perfiles y Herramientas de Morelia**

Gertrudis Bocanegra No. 898  
Col. Ventura Puente  
Morelia, Michoacán  
Tel. 01 443 313 85 50

### **Enrique Robles**

Av. de la Solidaridad No. 12713  
Col. La Pradera  
Irapuato, Guanajuato  
Tel. 01 462 626 67 39

### **Hernández Martínez Jeanette**

Prolongación Corregidora Nte. No. 1104  
Col. Arboledas  
Queretaro, Qro.  
Tel. 01 442 245 25 80

**PARA OTRAS LOCALIDADES LLAME AL 01 800 847 2309 o 01 800 847 2312.**

BLACK & DECKER S.A. DE C.V.  
BOSQUES DE CIDROS ACCESO RADIATAS NO. 42  
COL. BOSQUES DE LAS LOMAS.  
05120 MÉXICO, D.F  
TEL. (01 55) 5326 7100  
01 800 847 2309/01 800 847 2312

Black & Decker (U.S.) Inc.  
701 East Joppa Road, Towson, MD 21286  
Part No. N614311 rev01  
HNVC115B  
OCTOBER 2018