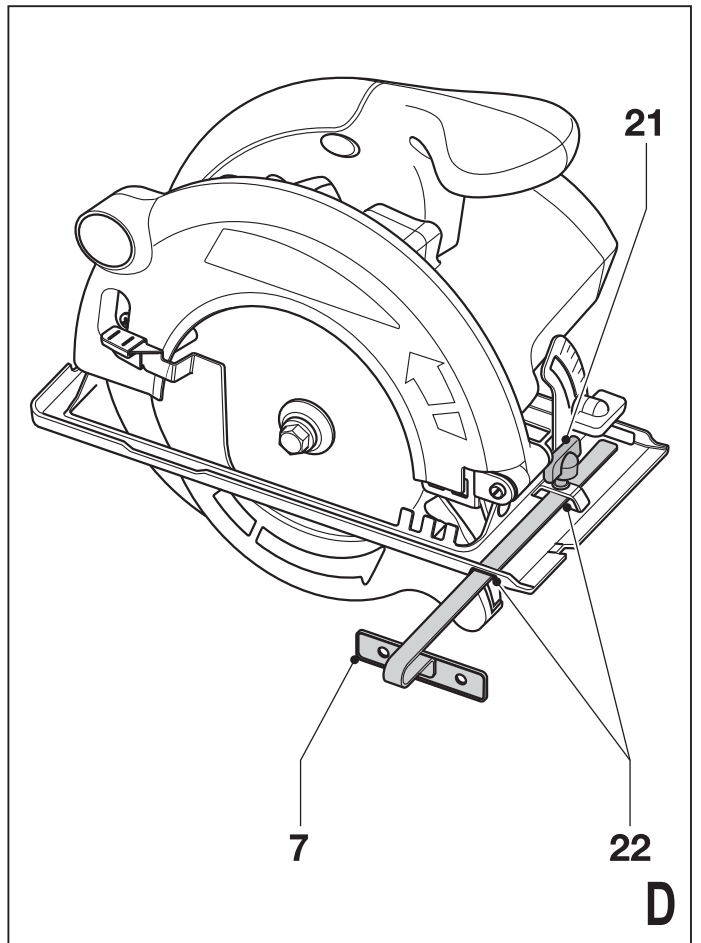
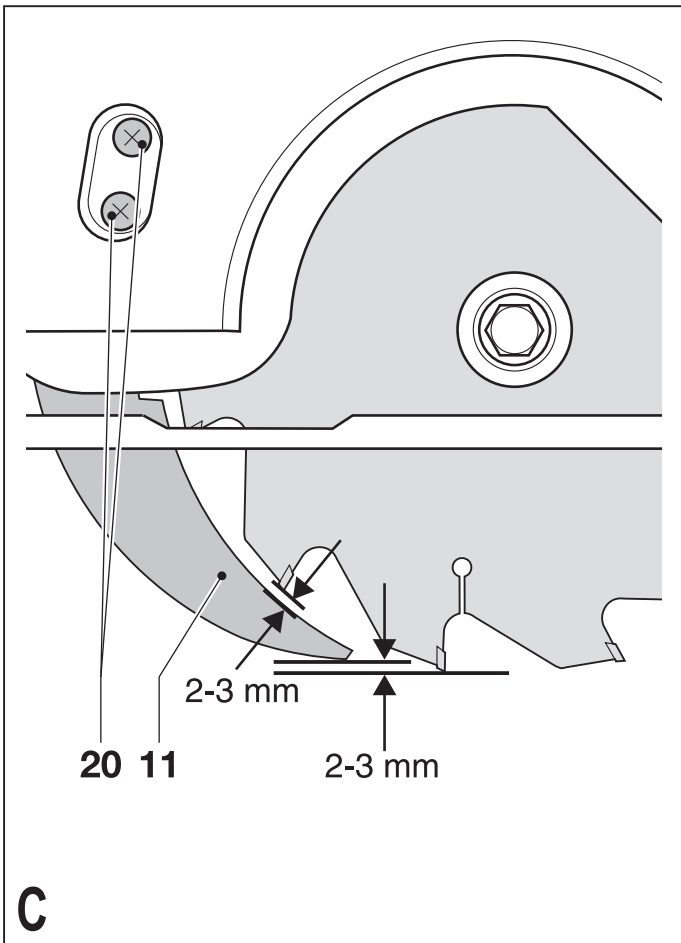
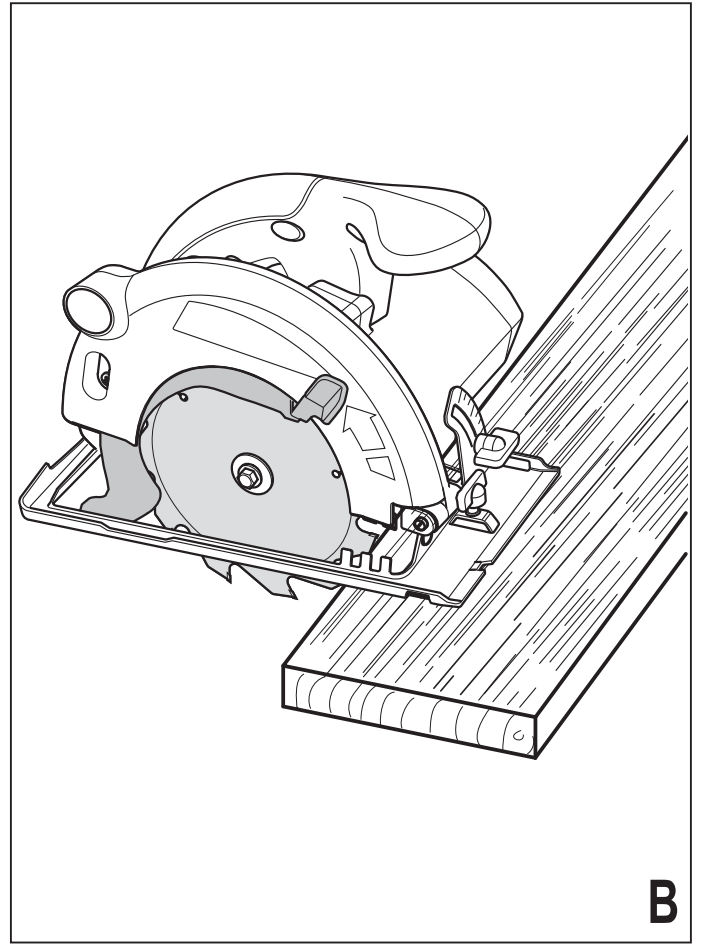
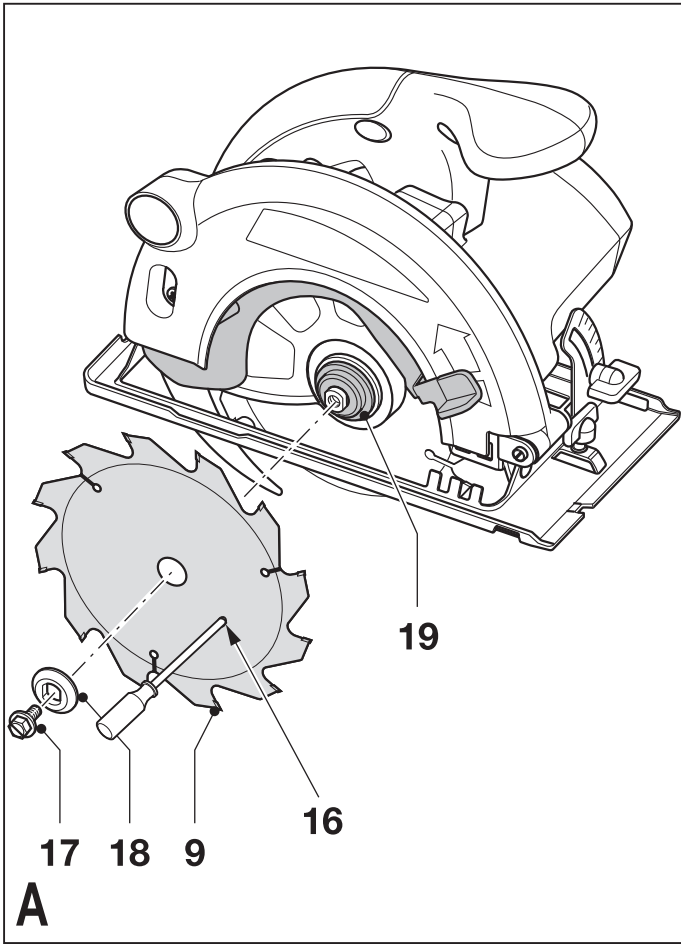
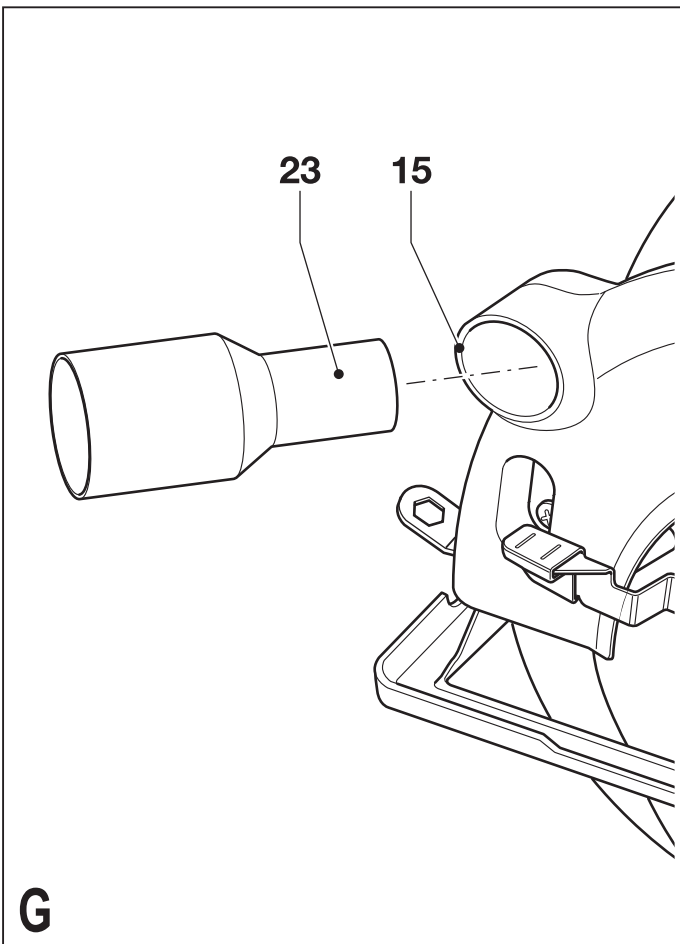
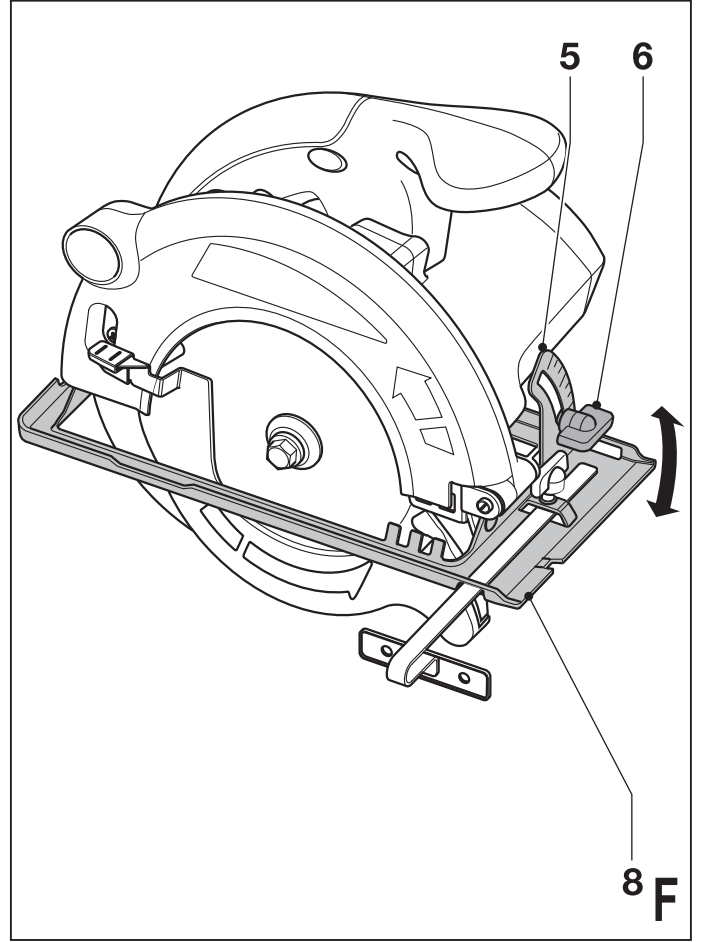
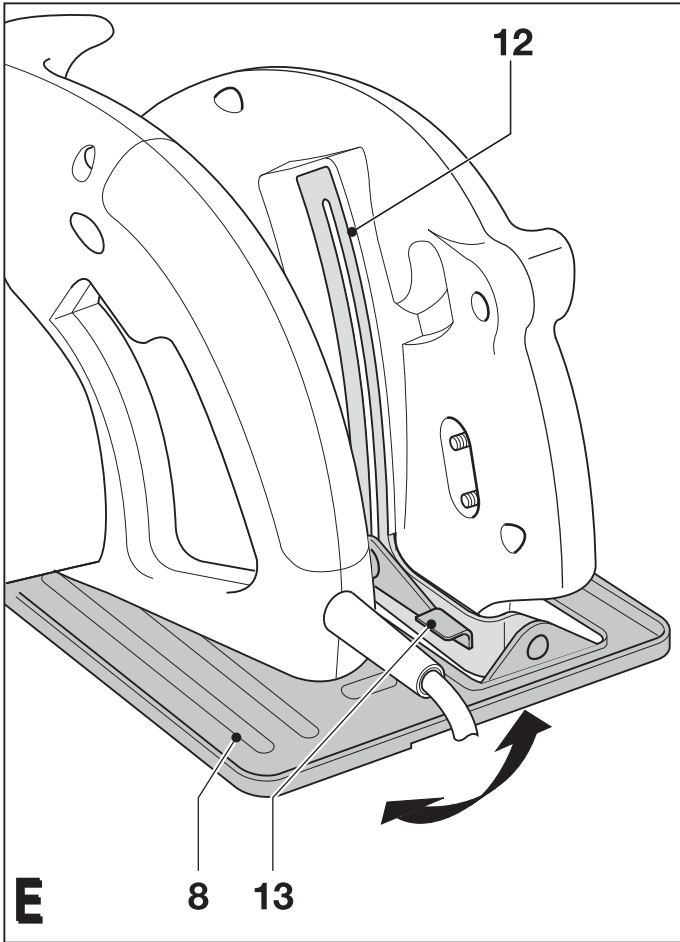


English	(Original instructions)	5
Deutsch	(Übersetzung der Originalanleitung)	12
Français	(Traduction des instructions d'origine)	21
Česky	(Přeloženo z původního návodu)	29
Magyar	(Fordítás az eredeti kezelési utasítás alapján készült)	37
Polski	(Tłumaczenie oryginalnej instrukcji)	46
Slovenčina	(Preložené z pôvodného návodu)	55
Русский язык	(Перевод с оригинала инструкции)	63
Українська	(Переклад оригінальних інструкцій)	72
Türkçe	(Çevirisi orijinal talimatlardan yapılmıştır)	81





Intended use

Your Black & Decker saw has been designed for sawing wood and wood products. This tool is intended for consumer use only.

Safety instructions

General power tool safety warnings



Warning! Read all safety warnings and all instructions. Failure to follow the warnings and instructions listed below may result in electric shock, fire and/or serious injury.

Save all warnings and instructions for future reference.

The term “power tool” in all of the warnings listed below refers to your mains operated (corded) power tool or battery operated (cordless) power tool.

1. **Work area safety**
 - a. **Keep work area clean and well lit.** Cluttered or dark areas invite accidents.
 - b. **Do not operate power tools in explosive atmospheres, such as in the presence of flammable liquids, gases or dust.** Power tools create sparks which may ignite the dust or fumes.
 - c. **Keep children and bystanders away while operating a power tool.** Distractions can cause you to lose control.
2. **Electrical safety**
 - a. **Power tool plugs must match the outlet. Never modify the plug in any way. Do not use any adapter plugs with earthed (grounded) power tools.** Unmodified plugs and matching outlets will reduce risk of electric shock.
 - b. **Avoid body contact with earthed or grounded surfaces such as pipes, radiators, ranges and refrigerators.** There is an increased risk of electric shock if your body is earthed or grounded.
 - c. **Do not expose power tools to rain or wet conditions.**
Water entering a power tool will increase the risk of electric shock.
 - d. **Do not abuse the cord. Never use the cord for carrying, pulling or unplugging the power tool. Keep cord away from heat, oil, sharp edges or moving parts.** Damaged or entangled cords increase the risk of electric shock.
 - e. **When operating a power tool outdoors, use an extension cord suitable for outdoor use.**
Use of a cord suitable for outdoor use reduces the risk of electric shock.
- f. **If operating a power tool in a damp location is unavoidable, use a residual current device (RCD) protected supply.** Use of an RCD reduces the risk of electric shock.
3. **Personal safety**
 - a. **Stay alert, watch what you are doing and use common sense when operating a power tool. Do not use a power tool while you are tired or under the influence of drugs, alcohol or medication.** A moment of inattention while operating power tools may result in serious personal injury.
 - b. **Use personal protective equipment. Always wear eye protection.** Protective equipment such as dust mask, non-skid safety shoes, hard hat, or hearing protection used for appropriate conditions will reduce personal injuries.
 - c. **Prevent unintentional starting. Ensure the switch is in the off-position before connecting to power source and/or battery pack, picking up or carrying the tool.**
Carrying power tools with your finger on the switch or energising power tools that have the switch on invites accidents.
 - d. **Remove any adjusting key or wrench before turning the power tool on.** A wrench or a key left attached to a rotating part of the power tool may result in personal injury.
 - e. **Do not overreach. Keep proper footing and balance at all times.** This enables better control of the power tool in unexpected situations.
 - f. **Dress properly. Do not wear loose clothing or jewellery. Keep your hair, clothing and gloves away from moving parts.** Loose clothes, jewellery or long hair can be caught in moving parts.
 - g. **If devices are provided for the connection of dust extraction and collection facilities, ensure these are connected and properly used.** Use of dust collection can reduce dust-related hazards.
4. **Power tool use and care**
 - a. **Do not force the power tool. Use the correct power tool for your application.** The correct power tool will do the job better and safer at the rate for which it was designed.
 - b. **Do not use the power tool if the switch does not turn it on and off.** Any power tool that cannot be controlled with the switch is dangerous and must be repaired.
 - c. **Disconnect the plug from the power source and/or the battery pack from the power tool**

before making any adjustments, changing accessories, or storing power tools. Such preventive safety measures reduce the risk of starting the power tool accidentally.

- d. **Store idle power tools out of the reach of children and do not allow persons unfamiliar with the power tool or these instructions to operate the power tool.** Power tools are dangerous in the hands of untrained users.
- e. **Maintain power tools. Check for misalignment or binding of moving parts, breakage of parts and any other condition that may affect the power tools operation. If damaged, have the power tool repaired before use.** Many accidents are caused by poorly maintained power tools.
- f. **Keep cutting tools sharp and clean.** Properly maintained cutting tools with sharp cutting edges are less likely to bind and are easier to control.
- g. **Use the power tool, accessories and tool bits etc. in accordance with these instructions, taking into account the working conditions and the work to be performed.** Use of the power tool for operations different from those intended could result in a hazardous situation.

5. Service

- a. **Have your power tool serviced by a qualified repair person using only identical replacement parts.** This will ensure that the safety of the power tool is maintained.

Additional power tool safety warnings



Warning! Additional safety warnings for saws

- a. **Keep hands away from cutting area and the blade. Keep your second hand on auxiliary handle, or motor housing.** If both hands are holding the saw, they cannot be cut by the blade.
- b. **Do not reach underneath the workpiece.** The guard cannot protect you from the blade below the workpiece.
- c. **Adjust the cutting depth to the thickness of the workpiece.** Less than a full tooth of the blade teeth should be visible below the workpiece.
- d. **Never hold piece being cut in your hands or across your leg. Secure the workpiece to a stable platform.** It is important to support the work properly to minimize body exposure, blade binding, or loss of control.

- e. **Hold power tool by insulated gripping surfaces when performing an operation where the cutting tool may contact hidden wiring or its own cord.** Contact with a "live" wire will also make exposed metal parts of the power tool "live" and give the operator an electric shock.
- f. **When ripping always use a rip fence or straight edge guide.** This improves the accuracy of cut and reduces the chance of blade binding.
- g. **Always use blades with correct size and shape (diamond versus round) of arbour holes.** Blades that do not match the mounting hardware of the saw will run eccentrically, causing loss of control.
- h. **Never use damaged or incorrect blade washers or bolt.** The blade washers and bolt were specially designed for your saw, for optimum performance and safety of operation.

Further safety instructions for all saws

Causes and operator prevention of kickback:

- ◆ kickback is a sudden reaction to a pinched, bound or misaligned saw blade, causing an uncontrolled saw to lift up and out of the workpiece toward the operator;
- ◆ when the blade is pinched or bound tightly by the kerf closing down, the blade stalls and the motor reaction drives the unit rapidly back toward the operator;
- ◆ if the blade becomes twisted or misaligned in the cut, the teeth at the back edge of the blade can dig into the top surface of the wood causing the blade to climb out of the kerf and jump back toward the operator.

Kickback is the result of saw misuse and/or incorrect operating procedures or conditions and can be avoided by taking proper precautions as given below.

- a. **Maintain a firm grip with both hands on the saw and position your arms to resist kickback forces. Position your body to either side of the blade, but not in line with the blade.** Kickback could cause the saw to jump backwards, but kickback forces can be controlled by the operator, if proper precautions are taken.
- b. **When the blade is binding, or when interrupting a cut for any reason, release the trigger and hold the saw motionless in the material until the blade comes to a complete stop. Never attempt to remove the saw from the work or pull the saw backward while the blade is in motion or kickback may occur.** Investigate and

take corrective actions to eliminate the cause of blade binding.

- c. **When restarting a saw in the workpiece, centre the saw blade in the kerf and check that saw teeth are not engaged into the material.** If saw blade is binding, it may walk up or kickback from the workpiece as the saw is restarted.
- d. **Support large panels to minimise the risk of blade pinching and kickback.** Large panels tend to sag under their own weight. Supports must be placed under the panel on both sides, near the line of cut and near the edge of the panel.
- e. **Do not use dull or damaged blades.** Unsharpened or improperly set blades produce narrow kerf causing excessive friction, blade binding and kickback.
- f. **Blade depth and bevel adjusting locking levers must be tight and secure before making cut.** If blade adjustment shifts while cutting, it may cause binding and kickback.
- g. **Use extra caution when making a “plunge cut” into existing walls or other blind areas.** The protruding blade may cut objects that can cause kickback.

Safety instructions for circular saws with outer or inner pendulum guards and with tow guard

- a. **Check lower guard for proper closing before each use. Do not operate the saw if lower guard does not move freely and close instantly. Never clamp or tie the lower guard into the open position.** If saw is accidentally dropped, lower guard may be bent. Raise the lower guard with the retracting handle and make sure it moves freely and does not touch the blade or any other part, in all angles and depths of cut.
- b. **Check the operation of the lower guard spring. If the guard and the spring are not operating properly, they must be serviced before use.** Lower guard may operate sluggishly due to damaged parts, gummy deposits, or a build-up of debris.
- c. **Lower guard should be retracted manually only for special cuts such as “plunge cuts” and “compound cuts.” Raise lower guard by retracting handle and as soon as blade enters the material, the lower guard must be released.** For all other sawing, the lower guard should operate automatically.
- d. **Always observe that the lower guard is covering the blade before placing saw down on bench or floor.** An unprotected, coasting blade will cause the saw to walk backwards,

cutting whatever is in its path. Be aware of the time it takes for the blade to stop after switch is released.

Additional safety instructions for all saws with riving knife

- a. **Use the appropriate riving knife for the blade being used.** For the riving knife to work, it must be thicker than the body of the blade but thinner than the tooth set of the blade.
- b. **Adjust the riving knife as described in this instruction manual.** Incorrect spacing, positioning and alignment can make the riving knife ineffective in preventing kickback.
- c. **Always use the riving knife except when plunge cutting.** Riving knife must be replaced after plunge cutting. Riving knife causes interference during plunge cutting and can create kickback.
- d. **For the riving knife to work, it must be engaged in the workpiece.** The riving knife is ineffective in preventing kickback during short cuts.
- e. **Do not operate the saw if riving knife is bent.** Even a light interference can slow the closing rate of a guard.

Residual risks

The following risks are inherent to the use of saws:

- Injuries caused by touching the rotating parts

Even with the application of the relevant safety regulations and the implementation of safety devices, certain residual risks cannot be avoided.

These are:

- Impairment of hearing.
- Risk of accidents caused by the uncovered parts of the rotating saw blade.
- Risk of injury when changing the blade.
- Risk of squeezing fingers when opening the guards.
- Health hazards caused by breathing dust developed when sawing wood, especially oak, beech and MDF.

Saw blades

- ◆ Do not use blades of larger or smaller diameter than recommended. For the proper blade rating refer to the technical data. Use only the blades specified in this manual, complying with EN 847-1.
- ◆ **Warning!** Never use abrasive wheels.

Safety of others

- ◆ **Warning!** Wear ear protection when using this tool.

- ◆ This appliance is not intended for use by persons (including children) with reduced physical, sensory or mental capabilities, or lack of experience and knowledge, unless they have been given supervision or instruction concerning use of the appliance by a person responsible for their safety.
- ◆ Children should be supervised to ensure that they do not play with the appliance.

Vibration

The declared vibration emission values stated in the technical data and the declaration of conformity have been measured in accordance with a standard test method provided by EN 60745 and may be used for comparing one tool with another. The declared vibration emission value may also be used in a preliminary assessment of exposure.

Warning! The vibration emission value during actual use of the power tool can differ from the declared value depending on the ways in which the tool is used. The vibration level may increase above the level stated.

When assessing vibration exposure to determine safety measures required by 2002/44/EC to protect persons regularly using power tools in employment, an estimation of vibration exposure should consider, the actual conditions of use and the way the tool is used, including taking account of all parts of the operating cycle such as the times when the tool is switched off and when it is running idle in addition to the trigger time.

Labels on tool

The following pictograms are shown on the tool:



Warning! To reduce the risk of injury, the user must read the instruction manual.

Electrical safety



This tool is double insulated; therefore no earth wire is required. Always check that the power supply corresponds to the voltage on the rating plate.

- ◆ If the supply cord is damaged, it must be replaced by the manufacturer or an authorised Black & Decker Service Centre in order to avoid a hazard.

Features

1. On/off switch
2. Lock-off button
3. Main handle
4. Secondary handle
5. Mitre angle scale
6. Locking knob for mitre angle adjustment
7. Parallel fence
8. Shoe
9. Saw blade
10. Saw blade guard
11. Riving knife
12. Depth of cut scale
13. Locking knob for depth of cut adjustment
14. Spanner
15. Saw dust outlet

Assembly

Warning! Before attempting any of the following operations, make sure that the tool is switched off and unplugged and that the saw blade has stopped.

Removing and fitting a saw blade (fig. A)

Caution! This method for changing the blade is only for use with blades that contain a hole (16) for the purpose of locking the blade whilst fitting and removing.

Removing

- ◆ Insert a screwdriver into the hole (16) to prevent the saw blade from rotating.
- ◆ Loosen and remove the blade retaining screw (17) by turning it counterclockwise using the spanner (14) supplied.
- ◆ Remove the outer washer (18).
- ◆ Remove the saw blade (9).

Fitting

- ◆ Place the saw blade onto the inner washer (19), making sure that the arrow on the blade points in the same direction as the arrow on the tool.
- ◆ Fit the outer washer (18) on the spindle, with the raised part pointing away from the saw blade.
- ◆ Insert the blade retaining screw (17) into the hole.
- ◆ Insert a screwdriver into the hole (16) to prevent the saw blade from rotating.
- ◆ Securely tighten the blade retaining screw by turning it clockwise using the spanner (14) supplied.
- ◆ Adjust the riving knife as described below.

Warning! Whenever a new blade is fitted the saw blade guard should be checked to ensure that it can move freely.

Removing and fitting a saw blade (fig. B)

Caution! This method is for changing blades that do not contain a hole (16) for the purpose of locking the blade whilst fitting and removing.

Removing

- ◆ Set the depth of cut on the saw to 10mm.
- ◆ Place a plank of wood on the floor, then place the saw onto the leading edge of the wood as shown in fig B to prevent the blade from turning.
- ◆ Whilst applying firm pressure on the saw, loosen and remove the blade retaining screw (17) by turning it counterclockwise using the spanner (14) supplied.
- ◆ Remove the outer washer (18).
- ◆ Remove the saw blade (9).

Fitting

- ◆ Place the saw blade onto the inner washer (19), making sure that the arrow on the blade points in the same direction as the arrow on the tool.
- ◆ Fit the outer washer (18) on the spindle, with the raised part pointing away from the saw blade.
- ◆ Insert the blade retaining screw (17) into the hole loosely tighten by hand.
- ◆ Place a plank of wood on the floor, then place the saw onto the leading edge of the wood as shown in fig B to prevent the blade from turning.
- ◆ Whilst applying firm pressure on the saw, securely tighten blade retaining screw (17) by turning it clockwise using the spanner (14) supplied.
- ◆ Adjust the riving knife as described below.

Warning! Whenever a new blade is fitted the saw blade guard should be checked to ensure that it can move freely.

Adjusting the riving knife (fig. C)

The riving knife prevents the saw blade from jamming during rip sawing operations. The riving knife must be adjusted after replacing the saw blade.

- ◆ Loosen the screw (20) holding the riving knife in position.
- ◆ Position the riving knife (11) as shown.

The distance between the toothed rim and the riving knife should be 2 - 3 mm.

The height difference between the toothed rim and the lower end of the riving knife should be 2 - 3 mm.

- ◆ Tighten the screw.

Fitting and removing the parallel fence (fig. D)

The parallel fence is used to saw in a straight line parallel to the edge of the workpiece.

Fitting

- ◆ Loosen the locking knob (21).
- ◆ Insert the parallel fence (7) through the openings (22).
- ◆ Slide the parallel fence into the desired position.
- ◆ Tighten the locking knob.

Removing

- ◆ Loosen the locking knob (21).
- ◆ Pull the parallel fence off the tool.

Use

This tool can be used in the right hand or the left hand.

Adjusting the depth of cut (fig. E)

The depth of cut should be set according to the thickness of the workpiece. It should exceed the thickness by approx. 2 mm.

- ◆ Loosen the knob (13) to unlock the saw shoe.
- ◆ Move the saw shoe (8) into the desired position. The corresponding depth of cut can be read from the scale (12).
- ◆ Tighten the knob to lock the saw shoe in place.

Adjusting the mitre angle (fig. F)

This tool can be set to mitre angles between 0° and 45°.

- ◆ Loosen the locking knob (6) to unlock the saw shoe.
- ◆ Move the saw shoe (8) into the desired position. The corresponding mitre angle can be read from the scale (5).
- ◆ Tighten the locking knob to lock the saw shoe in place.

Switching on and off

- ◆ To switch the tool on, move the lock-off button (2) into the unlock position and squeeze the on/off switch (1).
- ◆ To switch the tool off, release the on/off switch.

Sawing

- ◆ Always hold the tool with both hands.
- ◆ Let the blade run freely for a few seconds before starting the cut.
- ◆ Apply only a gentle pressure to the tool while performing the cut.
- ◆ Work with the shoe pressed against the workpiece.

Dust extraction (fig. G)

An adaptor is required to connect a vacuum cleaner or dust extractor to the tool. The adaptor can be purchased from your local Black & Decker retailer.

- ◆ Insert the dust extraction adaptor (23) into the saw dust outlet (15).
- ◆ Connect the vacuum cleaner hose to the adaptor.

Hints for optimum use

- ◆ As some splintering along the line of cut on the top side of the workpiece cannot be avoided, cut on the side where splintering is acceptable.
- ◆ Where splintering is to be minimised, e.g. when cutting laminates, clamp a piece of plywood onto the top of the workpiece.

Accessories

The performance of your tool depends on the accessory used. Black & Decker and Piranha accessories are engineered to high quality standards and designed to enhance the performance of your tool. By using these accessories you will get the very best from your tool.

Maintenance

Your Black & Decker corded/cordless appliance/tool has been designed to operate over a long period of time with a minimum of maintenance. Continuous satisfactory operation depends upon proper tool care and regular cleaning.

Warning! Before performing any maintenance on corded/cordless power tools:

- ◆ Switch off and unplug the appliance/tool.
- ◆ Or switch off and remove the battery from the appliance/tool if the appliance/tool has a separate battery pack.
- ◆ Or run the battery down completely if it is integral and then switch off.
- ◆ Unplug the charger before cleaning it. Your charger does not require any maintenance apart from regular cleaning.
- ◆ Regularly clean the ventilation slots in your appliance/tool/charger using a soft brush or dry cloth.
- ◆ Regularly clean the motor housing using a damp cloth.
Do not use any abrasive or solvent-based cleaner.
- ◆ Regularly open the chuck and tap it to remove any dust from the interior (when fitted).

Mains plug replacement (U.K. & Ireland only)

If a new mains plug needs to be fitted:

- ◆ Safely dispose of the old plug.
- ◆ Connect the brown lead to the live terminal in the new plug.
- ◆ Connect the blue lead to the neutral terminal.

Warning! No connection is to be made to the earth terminal. Follow the fitting instructions supplied with good quality plugs. Recommended fuse: 13 A.

Protecting the environment



Separate collection. This product must not be disposed of with normal household waste.

Should you find one day that your Black & Decker product needs replacement, or if it is of no further use to you, do not dispose of it with household waste. Make this product available for separate collection.



Separate collection of used products and packaging allows materials to be recycled and used again. Re-use of recycled materials helps prevent environmental pollution and reduces the demand for raw materials.

Local regulations may provide for separate collection of electrical products from the household, at municipal waste sites or by the retailer when you purchase a new product.

Black & Decker provides a facility for the collection and recycling of Black & Decker products once they have reached the end of their working life. To take advantage of this service please return your product to any authorised repair agent who will collect them on our behalf.

You can check the location of your nearest authorised repair agent by contacting your local Black & Decker office at the address indicated in this manual. Alternatively, a list of authorised Black & Decker repair agents and full details of our after-sales service and contacts are available on the Internet at: www.2helpU.com

Technical data

		CD601 TYPE 2	CD602 TYPE 2
Input voltage	V_{AC}	230	230
Power input	W	1,100	1,150
No-load speed	min^{-1}	5,000	5,000
Max. depth of cut	mm	55	55
Blade diameter	mm	170	170
Blade bore	mm	16	16
Blade tip width	mm	2.6	2.6
Weight	kg	4.7	4.7

Level of sound pressure according to EN 60745:

Sound pressure (L_{pA}) 101 dB(A), uncertainty (K) 3 dB(A)
 Acoustic power (L_{WA}) 112 dB(A), uncertainty (K) 3 dB(A)

Vibration total values (triax vector sum) according to EN 60745:

Vibration emission value (a_n) 4.46 m/s², uncertainty (K) 1,5 m/s²

EC declaration of conformity

MACHINERY DIRECTIVE



CD601/CD602

Black & Decker declares that these products described under "technical data" are in compliance with:
 2006/42/EC, EN 60745-1, EN 60745-2-5

For more information, please contact Black & Decker at the following address or refer to the back of the manual.

The undersigned is responsible for compilation of the technical file and makes this declaration on behalf of Black & Decker.

Kevin Hewitt
 Vice-President Global Engineering
 Black & Decker Europe, 210 Bath Road, Slough,
 Berkshire, SL1 3YD
 United Kingdom
 15/07/2010

Guarantee

Black & Decker is confident of the quality of its products and offers an outstanding guarantee. This guarantee statement is in addition to and in no way prejudices your statutory rights.

The guarantee is valid within the territories of the Member States of the European Union and the European Free Trade Area.

If a Black & Decker product becomes defective due to faulty materials, workmanship or lack of conformity, within 24 months from the date of purchase, Black & Decker guarantees to replace defective

parts, repair products subjected to fair wear and tear or replace such products to ensure minimum inconvenience to the customer unless:

- ◆ The product has been used for trade, professional or hire purposes;
- ◆ The product has been subjected to misuse or neglect;
- ◆ The product has sustained damage through foreign objects, substances or accidents;
- ◆ Repairs have been attempted by persons other than authorised repair agents or Black & Decker service staff.

To claim on the guarantee, you will need to submit proof of purchase to the seller or an authorised repair agent. You can check the location of your nearest authorised repair agent by contacting your local Black & Decker office at the address indicated in this manual. Alternatively, a list of authorised Black & Decker repair agents and full details of our after-sales service and contacts are available on the Internet at: **www.2helpU.com**

Please visit our website **www.blackanddecker.co.uk** to register your new Black & Decker product and to be kept up to date on new products and special offers. Further information on the Black & Decker brand and our range of products is available at **www.blackanddecker.co.uk**

Bestimmungsgemäße Verwendung

Ihre Black & Decker Säge wurde zum Sägen von Holz und Holzprodukten entwickelt.

Dieses Gerät ist nicht für den gewerblichen Einsatz vorgesehen.

Sicherheitshinweise

Allgemeine Warnhinweise zur Sicherheit von Elektrowerkzeugen



Achtung! Lesen Sie sämtliche Sicherheitswarnhinweise und sonstigen Anweisungen.

Die Nichteinhaltung der nachstehend aufgeführten Warnhinweise und sonstigen Anweisungen kann einen elektrischen Schlag, Brand und/oder schwere Verletzungen verursachen.

Bewahren Sie alle Warnhinweise und sonstigen Anweisungen zur künftigen Bezugnahme auf.

Der nachfolgend verwendete Begriff „Gerät“ bezieht sich auf netzbetriebene Geräte (mit Netzkabel) und auf akkubetriebene Geräte (ohne Netzkabel).

1. Sicherheit am Arbeitsplatz

- a. **Halten Sie Ihren Arbeitsbereich sauber und gut ausgeleuchtet.** Unordnung und dunkle Arbeitsbereiche fordern Unfälle geradezu heraus.
- b. **Arbeiten Sie mit Geräten nicht in explosionsgefährdeter Umgebung, in der sich brennbare Flüssigkeiten, Gase oder Stäube befinden.**
Geräte erzeugen Funken, die den Staub oder die Dämpfe entzünden können.
- c. **Halten Sie Kinder und andere Personen während der Benutzung eines Geräts fern.** Bei Ablenkung können Sie die Kontrolle verlieren.

2. Elektrische Sicherheit

- a. **Der Anschlussstecker des Geräts muß in die Steckdose passen. Der Stecker darf in keiner Weise verändert werden. Verwenden Sie keine Adapterstecker gemeinsam mit schutzgeerdeten Geräten.**
Unveränderte Stecker und passende Steckdosen verringern das Risiko eines elektrischen Schlages.
- b. **Vermeiden Sie Körperkontakt mit geerdeten Oberflächen von Rohren, Heizungen, Herden und Kühlschränken.** Es besteht ein

erhöhtes Risiko eines elektrischen Schlages, wenn Ihr Körper geerdet ist.

- c. **Halten Sie Geräte von Regen und Nässe fern.** Das Eindringen von Wasser in ein Gerät erhöht das Risiko eines elektrischen Schlages.
- d. **Mißbrauchen Sie nicht das Kabel. Verwenden Sie das Kabel niemals zum Tragen, Ziehen oder Trennen des Gerätes vom Netz. Halten Sie das Kabel fern von Hitze, Öl, scharfen Kanten oder sich bewegenden Teilen.** Beschädigte oder verwickelte Kabel erhöhen das Risiko eines elektrischen Schlages.
- e. **Wenn Sie mit einem Gerät im Freien arbeiten, verwenden Sie nur Verlängerungskabel, die auch für den Außenbereich zugelassen sind.** Die Verwendung eines für den Außenbereich geeigneten Verlängerungskabels verringert das Risiko eines elektrischen Schlages.
- f. **Falls der Betrieb des Elektrowerkzeugs in einer feuchten Umgebung unvermeidbar ist, verwenden Sie einen mit einem Fehlerstromschutzschalter (FI-Schutzschalter) abgesicherten Stromkreis.** Durch die Verwendung eines FI-Schutzschalters wird das Risiko eines Stromschlages verringert.

3. Sicherheit von Personen

- a. **Seien Sie aufmerksam, achten Sie darauf, was Sie tun, und gehen Sie vernünftig mit einem Gerät um.**
Benutzen Sie das Gerät nicht, wenn Sie müde sind oder unter dem Einfluß von Drogen, Alkohol oder Medikamenten stehen. Ein Moment der Unachtsamkeit beim Gebrauch von Geräten kann zu ernsthaften Verletzungen führen.
- b. **Tragen Sie persönliche Schutzausrüstung. Tragen Sie immer eine Schutzbrille.** Das Tragen persönlicher Schutzausrüstung, wie Staubmaske, rutschfeste Sicherheitsschuhe, Schutzhelm oder Gehörschutz, je nach Art und Einsatz des Elektrowerkzeuges, verringert das Risiko von Verletzungen.
- c. **Vermeiden Sie eine unbeabsichtigte Inbetriebnahme.**
Vergewissern Sie sich, dass der Schalter auf der Aus-Stellung steht, bevor Sie den Stecker in die Steckdose stecken und/oder das Akkupaket im Werkzeug stecken, das Werkzeug aufnehmen oder tragen. Wenn Sie beim Tragen des Elektrowerkzeuges den Finger am Schalter haben oder das Werkzeug eingeschaltet an die Stromversorgung anschließen, kann dies zu Unfällen führen.

- d. **Entfernen Sie Einstell- oder Schraubenschlüssel, bevor Sie das Gerät einschalten.** Ein Schlüssel, der sich in einem sich drehenden Teil befindet, kann zu Verletzungen führen.
- e. **Nicht zu weit nach vorne strecken! Achten Sie auf einen sicheren Stand, um in jeder Arbeitsposition das Gleichgewicht zu halten.** Dadurch können Sie das Gerät in unerwarteten Situationen besser unter Kontrolle halten.
- f. **Tragen Sie geeignete Kleidung. Tragen Sie keine weite Kleidung oder Schmuck. Halten Sie Haare, Kleidung und Handschuhe fern von sich bewegenden Teilen.**
Lockere Kleidung, Schmuck oder lange Haare können von sich bewegenden Teilen erfaßt werden.
- g. **Falls Staubabsaug- und -auffangvorrichtungen vorhanden sind, vergewissern Sie sich, daß diese angeschlossen sind und richtig verwendet werden.**
Das Verwenden dieser Einrichtungen verringert Gefährdungen durch Staub.

4. Gebrauch und Pflege von Geräten

- a. **Überlasten Sie das Gerät nicht. Verwenden Sie für Ihre Arbeit das dafür bestimmte Gerät.** Mit dem passenden Gerät arbeiten Sie besser und sicherer im angegebenen Leistungsbereich.
- b. **Benutzen Sie kein Gerät, dessen Schalter defekt ist.**
Ein Gerät, das sich nicht mehr ein- oder ausschalten läßt, ist gefährlich und muß repariert werden.
- c. **Trennen Sie den Stecker von der Stromquelle und/ oder das Akkupaket vom Elektrowerkzeug, bevor Einstellungen vorgenommen, Zubehör gewechselt oder Elektrowerkzeuge verstaut werden.** Diese Vorsichtsmaßnahmen verhindern den unbeabsichtigten Start des Gerätes.
- d. **Bewahren Sie unbenutzte Geräte außerhalb der Reichweite von Kindern auf. Lassen Sie Geräte nicht von Personen benutzen, die damit nicht vertraut sind oder diese Anweisungen nicht gelesen haben.** Geräte sind gefährlich, wenn Sie von unerfahrenen Personen benutzt werden.
- e. **Halten Sie Geräte in einem einwandfreien Zustand.**
Kontrollieren Sie, ob bewegliche Teile falsch ausgerichtet sind oder klemmen und ob Teile gebrochen oder so beschädigt sind, daß die Funktion des Geräts beeinträchtigt

ist. Lassen Sie beschädigte Geräte vor dem Gebrauch reparieren. Viele Unfälle haben ihre Ursache in schlecht gewarteten Geräten.

- f. **Halten Sie Schneidgeräte scharf und sauber.** Sorgfältig gepflegte Schneidgeräte mit scharfen Schneidkanten verklemmen sich weniger und sind leichter zu führen.
 - g. **Verwenden Sie das Elektrowerkzeug, Zubehör sowie Werkzeug-Bits, usw. entsprechend diesen Anweisungen.**
Berücksichtigen Sie dabei die Arbeitsbedingungen sowie die durchzuführende Arbeit. Der Gebrauch von Geräten für andere als die vorgesehenen Anwendungen kann zu gefährlichen Situationen führen.
5. **Service**
- a. **Lassen Sie Ihr Gerät nur von qualifiziertem Fachpersonal und nur mit Original-Ersatzteilen reparieren.** Damit wird gewährleistet, daß die Sicherheit des Geräts erhalten bleibt.

Zusätzliche Warnhinweise zur Sicherheit von Elektrowerkzeugen



Achtung! Zusätzliche Sicherheitshinweise für Sägen

- a. **Halten Sie Ihre Hände vom Sägebereich und dem Sägeblatt fern. Halten Sie die andere Hand am Zusatzgriff oder dem Motorgehäuse.** Wenn Sie die Säge mit beiden Händen halten, so kann das Sägeblatt keine Verletzungen an den Händen verursachen.
- b. **Greifen Sie niemals unter das Werkstück.** Die Schutzvorrichtung kann Sie nicht vor dem Sägeblatt unterhalb des Werkstücks schützen.
- c. **Stellen Sie die Schnitttiefe auf die Dicke des Werkstücks ein.** Es sollte weniger als ein ganzer Zahn der Sägeblattzähne unter dem Werkstück sichtbar sein.
- d. **Halten Sie das zu schneidende Werkstück niemals in den Händen oder auf dem Bein. Sichern Sie das Werkstück auf einer stabilen Plattform.** Es ist wichtig, das Werkstück richtig abzustützen, damit Ihr Körper geschützt wird, das Sägeblatt nicht festklemmt und Sie die Kontrolle behalten.
- e. **Halten Sie das Elektrowerkzeug an den isolierten Griffflächen, wenn Arbeiten durchgeführt werden, bei denen das Schneidewerkzeug versteckte Leitungen oder die eigene Anschlußleitung berühren könnte.**

Ein Kontakt mit einer spannungsführenden Leitung setzt auch die freiliegenden Metallteile des Elektrowerkzeugs unter Spannung und der Benutzer erleidet einen Stromschlag.

- f. **Verwenden Sie bei Längsschnitten stets einen Längsschnitt-Anschlag bzw. eine gerade Kantenführung.** Dadurch wird die Schnittgenauigkeit verbessert und die Gefahr des Festklemmens des Sägeblatts verringert.
- g. **Verwenden Sie stets Sägeblätter der richtigen Größe und Form (Diamant kontra rund) der Wellenbohrungen.** Sägeblätter, die nicht zu den Befestigungsteilen der Säge passen, laufen exzentrisch, was zu einem Kontrollverlust führt.
- h. **Verwenden Sie niemals beschädigte oder falsche Unterlegscheiben oder einen beschädigten oder falschen Bolzen für das Sägeblatt.** Die Unterlegscheiben und der Bolzen für das Sägeblatt wurden speziell für Ihre Säge konstruiert, so daß eine optimale Leistung und Betriebssicherheit erzielt wird.

Weitere Sicherheitsanweisungen für alle Sägen
Ursachen von Rückschlägen und deren Verhinderung seitens des Benutzers:

- ◆ Ein Rückschlag ist die plötzliche Reaktion auf ein eingeklemmtes, hängendes oder falsch ausgerichtetes Sägeblatt. Dies führt dazu, daß sich die Säge unkontrolliert nach oben und aus dem Werkstück in Richtung Benutzer herausbewegt.
- ◆ Falls das Sägeblatt eingeklemmt wird oder durch den Schlitz hängen bleibt, so wird das Sägeblatt festgebremst, und durch die Reaktion des Motors wird die Einheit rasch zum Benutzer zurückgeschleunigt.
- ◆ Falls das Sägeblatt verdreht oder im Schnitt falsch ausgerichtet wird, so können sich die Zähne an der Hinterkante des Sägeblatts in die Oberfläche des Holzes graben, wodurch das Sägeblatt aus dem Schlitz „herausklettert“ und in Richtung Benutzer zurückschnellt.

Ein Rückschlag ist das Resultat eines Mißbrauchs und/oder einer falschen Bedienung der Säge oder falscher Bedingungen und kann durch die entsprechenden unten angegebenen Vorsichtsmaßnahmen vermieden werden.

- a. **Halten Sie die Säge mit beiden Händen sicher fest und halten Sie Ihre Arme so, daß sie den Rückschlagkräften widerstehen können. Positionieren Sie Ihren Körper auf einer der beiden Seiten des Sägeblatts, jedoch nicht**

in einer Reihe zum Sägeblatt. Ein Rückschlag kann dazu führen, daß die Säge zurückschnellt; die Rückschlagkräfte können jedoch vom Bediener unter Kontrolle gehalten werden, wenn entsprechende Vorsichtsmaßnahmen getroffen werden.

- b. **Falls das Sägeblatt hängt oder der Schnitt aus irgendeinem anderen Grund unterbrochen wird, lassen Sie den Auslöser los und lassen Sie die Säge bewegungslos im Material, bis das Sägeblatt vollkommen zum Stillstand gekommen ist. Versuchen Sie niemals, das Sägeblatt aus dem Werkstück zu entfernen oder nach hinten zu ziehen, während das Sägeblatt in Bewegung ist, da dies zu einem Rückschlag führen kann.** Untersuchen Sie den Fall und treffen Sie Abhilfemaßnahmen, um die Ursache des Hängens des Sägeblatts zu beseitigen.
- c. **Wird eine Säge im Werkstück wieder in Betrieb genommen, zentrieren Sie das Sägeblatt im Schlitz und vergewissern Sie sich, daß sie Sägeblattzähne nicht in das Material eingreifen.** Hängt das Sägeblatt, so wandert es möglicherweise nach oben oder es findet beim erneuten Einschalten ein Rückschlag aus dem Werkstück statt.
- d. **Stützen Sie große Platten ab, damit das Sägeblatt nicht eingeklemmt wird und kein Rückschlag entsteht.** Große Platten haben die Tendenz, durch ihr Eigengewicht durchzusacken. Unter der Platte in der Nähe der Schnittlinie und in der Nähe der Plattenkante müssen auf beiden Seiten Stützen plaziert werden.
- e. **Verwenden Sie keine stumpfen oder beschädigten Sägeblätter.** Stumpfe oder nicht richtig eingestellte Sägeblätter führen zu einem engen Sägeschlitz, was wiederum zu übermäßiger Reibung, einem Hängen des Sägeblatts und zu Rückschlägen führt.
- f. **Die Sicherungshebel für die Sägeblatttiefe und – neigung müssen fest und gesichert sein, bevor der Schnitt durchgeführt wird.** Falls sich die Einstellung des Sägeblatts während des Schnitts verschiebt, so kann dies zu einem Hängen und Rückschlägen führen.
- g. **Gehen Sie besonders vorsichtig vor, wenn ein „Einstechschnitt“ in vorhandene Wände oder andere blinde Bereiche durchgeführt wird.** Das hervorstehende Sägeblatt kann Gegenstände durchtrennen und zu Rückschlägen führen.

Sicherheitsanweisungen für Kreissägen mit äußerem oder innerem Pendelhubschutz und Schutzvorrichtung

- a. **Vergewissern Sie sich vor jedem Gebrauch, daß die untere Schutzvorrichtung richtig schließt. Betreiben Sie die Säge nicht, falls sich die untere Schutzvorrichtung nicht ungehindert bewegt und sich nicht sofort schließt. Spannen oder binden Sie die untere Schutzvorrichtung niemals in der geöffneten Stellung fest.** Wird die Säge versehentlich fallengelassen, so kann sich die untere Schutzvorrichtung verbiegen. Heben Sie die untere Schutzvorrichtung am Einzugshebel an und vergewissern Sie sich, daß sie sich ungehindert bewegt und nicht das Sägeblatt oder andere Teile berührt. Dies gilt für alle Winkel und Schnittiefen.
- b. **Überprüfen Sie die Funktion der Feder für die untere Schutzvorrichtung. Falls Schutzvorrichtung und Feder nicht einwandfrei funktionieren, so müssen diese Teile vor dem Gebrauch instandgesetzt werden.** Möglicherweise arbeitet die untere Schutzvorrichtung aufgrund beschädigter Teile, Harzablagerungen oder einer Ansammlung von Spänen schwergängig.
- c. **Die untere Schutzvorrichtung darf nur für Speziälschnitte wie "Einstechschnitte" und "Verbundschnitte" von Hand eingezogen werden. Heben Sie die untere Schutzvorrichtung an, indem Sie den Einzugshebel einfahren, und sobald das Sägeblatt in das Werkstück eintritt, muß die untere Schutzvorrichtung freigegeben werden.** Bei allen anderen Sägearbeiten muß die untere Schutzvorrichtung automatisch arbeiten.
- d. **Achten Sie stets darauf, daß die untere Schutzvorrichtung das Sägeblatt abdeckt, bevor die Säge auf der Werkbank oder dem Boden abgesetzt wird.** Ein ungeschütztes, noch auslaufendes Sägeblatt führt dazu, daß die Säge zurückschnellt und alles durchtrennt, was sich im Sägebereich befindet. Seien Sie sich darüber im Klaren, daß es einige Zeit dauert, bis das Sägeblatt zum Stillstand kommt, nachdem der Schalter losgelassen wurde.

Zusätzliche Sicherheitsanweisungen für alle Sägen mit Spaltkeil

- a. **Benutzen Sie für das zu verwendende Sägeblatt den entsprechenden Spaltkeil.**

Damit der Spaltkeil richtig funktioniert, muß er dicker als der Körper des Sägeblatts sein, jedoch dünner als der Zahnsatz des Sägeblatts.

- b. **Stellen Sie den Spaltkeil gemäß Beschreibung in dieser Bedienungsanleitung ein.** Ein falscher Abstand, eine falsche Positionierung oder eine falsche Ausrichtung können den Spaltkeil bei der Verhinderung von Rückschlägen unwirksam machen.
- c. **Verwenden Sie stets den Spaltkeil, es sei denn, es handelt sich um Einstechschnitte.** Der Spaltkeil muß nach einem Einstechschnitt wieder angebracht werden. Der Spaltkeil stellt bei Einstechschnitten eine Behinderung dar und kann zu Rückschlägen führen.
- d. **Damit der Spaltkeil richtig funktioniert, muß er in das Werkstück eingreifen.** Bei kurzen Schnitten ist der Spaltkeil zur Verhinderung von Rückschlägen unwirksam.
- e. **Betreiben Sie die Säge nicht, wenn der Spaltkeil verbogen ist.** Selbst eine nur leichte Behinderung kann die Schließgeschwindigkeit einer Schutzvorrichtung verlangsamen.

Restrisiken

Beim Gebrauch von Sägen bestehen folgende Risiken:

- Verletzungen durch eine Berührung der sich drehenden Teile.

Selbst bei Einhaltung der entsprechenden Sicherheitsrichtlinien sowie dem Einsatz von Sicherheitsvorrichtungen lassen sich gewisse Restrisiken nicht vermeiden. Es handelt sich hierbei um:

- Eine Beeinträchtigung des Hörvermögens.
- Die Gefahr von Unfällen, die durch die nicht abgedeckten Teile des sich drehenden Sägeblatts verursacht werden.
- Die Gefahr einer Verletzung beim Sägeblattwechsel.
- Die Gefahr des Einklemmens von Fingern beim Öffnen der Schutzvorrichtungen.
- Gesundheitsgefahren, die durch das Einatmen von Staub beim Sägen von Holz, insbesondere Eiche, Buche und MDF, verursacht werden.

Sägeblätter

- ◆ Verwenden Sie keine Sägeblätter mit einem kleineren oder größeren Durchmesser als empfohlen. Verwenden Sie nur Sägeblätter, die den in den technischen Daten aufgeführten Anforderungen entsprechen. Verwenden Sie nur die in diesem Handbuch spezifizierten Sägeblätter im Einklang mit EN 847-1.

- ◆ **Achtung!** Verwenden Sie niemals Schleif-/Trennscheiben.

Sicherheit anderer Personen

- ◆ Dieses Gerät darf nicht von Personen (einschließlich Kindern) mit eingeschränkten körperlichen, sensorischen oder geistigen Fähigkeiten verwendet werden. Auch darf es nicht von Personen verwendet werden, die keine Erfahrung mit dem Gerät oder Kenntnis darüber haben, es sei denn, sie stehen beim Gebrauch unter der Aufsicht und Anleitung einer für deren Sicherheit verantwortlichen Person.
- ◆ Kinder müssen beaufsichtigt werden, um sicherzustellen, daß sie nicht mit dem Gerät spielen.

Vibrationen

Die angegebenen Vibrationswerte in den Technischen Daten und der Konformitätserklärung wurden gemäß einer standardisierten und durch EN 60745 festgelegten Prüfmethode gemessen und können herangezogen werden, um ein Werkzeug mit einem anderen zu vergleichen.

Der angegebene Vibrationswert kann auch für eine vorläufige Einstufung der Freisetzung herangezogen werden.

Achtung! Der Vibrationswert beim eigentlichen Gebrauch des Elektrowerkzeugs kann vom angegebenen Wert abweichen.

Dies hängt davon ab, auf welche Weise das Werkzeug verwendet wird. Der Vibrationswert kann über den angegebenen Wert hinaus ansteigen.

Bei der Einstufung der Vibrationen zur Festlegung der von 2002/44/EG geforderten Sicherheitsmaßnahmen zum Schutz von Personen, die beruflich regelmäßig mit Elektrowerkzeugen arbeiten, muß eine Vibrationseinstufung die tatsächlichen Gebrauchsbedingungen und die Art und Weise berücksichtigen, wie das Werkzeug verwendet wird. Auch müssen alle Aspekte des Arbeitszyklus berücksichtigt werden, wie beispielsweise die Zeiten, in denen das Werkzeug aus- und eingeschaltet ist und im Leerlauf läuft.

Schilder auf dem Gerät

Es befinden sich folgende Bildzeichen auf dem Gerät:



Achtung! Um die Verletzungsgefahr zu verringern, muß der Benutzer die Bedienungsanleitung lesen.

Elektrische Sicherheit



Dieses Gerät ist schutzisoliert, daher ist keine Erdleitung erforderlich. Überprüfen Sie immer, ob die Netzspannung der auf dem Typenschild des Elektrowerkzeuges angegebenen Spannung entspricht.

- ◆ Falls das Netzkabel beschädigt ist, so ist es vom Hersteller oder einem autorisierten Black & Decker Service Center auszutauschen, um Gefahren vorzubeugen.

Merkmale

1. Ein-/Aus-Schalter
2. Einschaltsperr
3. Haupthandgriff
4. Zweithandgriff
5. Gehrungswinkelskala
6. Sicherungsknopf für Gehrungswinkeleinstellung
7. Parallelanschlag
8. Schuh
9. Sägeblatt
10. Sägeblatt-Schutzvorrichtung
11. Spaltkeil
12. Schnittiefenskala
13. Sicherungsknopf für Schnittiefeinstellung
14. Schraubenschlüssel
15. Sägemehlauswurf

Montage

Achtung! Bevor Sie folgende Schritte durchführen, stellen Sie sicher, daß das Gerät ausgeschaltet und vom Netz getrennt ist und daß das Sägeblatt stehengeblieben ist.

Entfernen und Anbringen eines Sägeblatts (Abb. A)

Achtung! Diese Methode zum Wechseln des Sägeblatts ist nur für Sägeblätter vorgesehen, die über ein Loch (16) zum Verriegeln des Blatts beim Anbringen und Entfernen verfügen.

Entfernen

- ◆ Stecken Sie einen Schraubendreher in das Loch (16), um zu verhindern, daß sich das Sägeblatt mitdreht.
- ◆ Lösen und entfernen Sie die Sägeblatt-Sicherungsschraube (17), indem Sie sie mit dem mitgelieferten Schraubenschlüssel (14) gegen den Uhrzeigersinn drehen.
- ◆ Entfernen Sie die äußere Unterlegscheibe (18).
- ◆ Entfernen Sie das Sägeblatt (9).

Anbringen

- ◆ Setzen Sie das Sägeblatt auf die innere Unterlegscheibe (19), und stellen Sie dabei sicher, daß der Pfeil auf dem Sägeblatt in die gleiche Richtung zeigt, wie der Pfeil auf dem Gerät.
- ◆ Setzen Sie die äußere Unterlegscheibe (18) mit dem hervorstehenden Teil vom Sägeblatt wegweisend auf die Spindel.
- ◆ Setzen Sie die Sägeblatt-Sicherungsschraube (17) in das Loch.
- ◆ Stecken Sie einen Schraubendreher in das Loch (16), um zu verhindern, daß sich das Sägeblatt mitdreht.
- ◆ Ziehen Sie die Sägeblatt-Sicherungsschraube sicher fest, indem Sie sie mit dem mitgelieferten Schraubenschlüssel (14) im Uhrzeigersinn drehen.
- ◆ Stellen Sie den Spaltkeil wie unten beschrieben ein.

Achtung! Stellen Sie nach dem Anbringen eines neuen Sägeblatts sicher, dass sich der Sägeblattschutz ungehindert bewegen lässt.

Entfernen und Anbringen eines Sägeblatts (Abb. B)

Achtung! Diese Methode zum Wechseln von Sägeblättern vorgesehen, die nicht über ein Loch (16) zum Verriegeln des Blatts beim Anbringen und Entfernen verfügen.

Entfernen

- ◆ Stellen Sie die Schnitttiefe der Säge auf 10mm ein.
- ◆ Legen Sie ein Holzbrett auf den Boden, und platzieren Sie die Säge an der Führungskante des Bretts (siehe Abb. B), um eine Drehung des Sägeblatts zu verhindern.
- ◆ Üben Sie etwas Druck auf die Säge aus, und lösen und entfernen Sie die Sägeblattschraube (17) durch Drehen des mitgelieferten Schraubenschlüssels (14) gegen den Uhrzeigersinn.
- ◆ Nehmen Sie die äußere Unterlegscheibe (18) ab.
- ◆ Nehmen Sie das Sägeblatt (9) ab.

Anbringen

- ◆ Bringen Sie das Sägeblatt auf der inneren Unterlegscheibe (19) so an, dass der Pfeil auf dem Sägeblatt gleich wie der Pfeil auf dem Gerät ausgerichtet ist.
- ◆ Bringen Sie die äußere Unterlegscheibe (18) auf der Spindel an, sodass die erhöhte Seite nach außen, also vom Sägeblatt weg weist.

- ◆ Setzen Sie die Sägeblattschraube (17) in die Öffnung ein, und ziehen Sie sie per Hand locker fest.
- ◆ Legen Sie ein Holzbrett auf den Boden, und platzieren Sie die Säge an der Führungskante des Bretts (siehe Abb. B), um eine Drehung des Sägeblatts zu verhindern.
- ◆ Üben Sie etwas Druck auf die Säge aus, und ziehen Sie die Sägeblattschraube (17) durch Drehen des mitgelieferten Schraubenschlüssels (14) im Uhrzeigersinn vollständig fest.
- ◆ Stellen Sie den Spaltkeil wie nachfolgend beschrieben ein.

Achtung! Stellen Sie nach dem Anbringen eines neuen Sägeblatts sicher, dass sich der Sägeblattschutz ungehindert bewegen lässt.

Justieren des Spaltkeils (Abb. C)

Der Spaltkeil verhindert, daß das Sägeblatt bei Längsschnitten eingeklemmt wird. Der Spaltkeil muß nach dem Austausch des Sägeblatts eingestellt werden.

- ◆ Lösen Sie die Schraube (20), die den Spaltkeil in seiner Lage hält.
- ◆ Positionieren Sie den Spaltkeil (11) wie angegeben.

Der Abstand zwischen dem Zahnkranz und dem Spaltkeil sollte 2 bis 3 mm betragen.

Der Höhenunterschied zwischen dem Zahnkranz und dem unteren Ende des Spaltkeils sollte 2 bis 3 mm betragen.

- ◆ Ziehen Sie die Schraube an.

Anbringen und Entfernen des Parallelanschlags (Abb. D)

Der Parallelanschlag wird verwendet, um geradlinig und parallel zur Kante des Werkstücks zu sägen.

Anbringen

- ◆ Lösen Sie den Sicherungsknopf (21).
- ◆ Stecken Sie den Parallelanschlag (7) in die Öffnungen (22).
- ◆ Schieben Sie den Parallelanschlag in die gewünschte Lage.
- ◆ Ziehen Sie den Sicherungsknopf an.

Entfernen

- ◆ Lösen Sie den Sicherungsknopf (21).
- ◆ Ziehen Sie den Parallelanschlag aus dem Gerät heraus.

Gebrauch

Dieses Werkzeug kann mit der rechten oder mit der linken Hand verwendet werden.

Einstellen der Schnittiefe (Abb. E)

Die Schnittiefe sollte entsprechend der Dicke des Werkstücks eingestellt werden. Dabei sollte die Dicke um etwa 2 mm überschritten werden.

- ◆ Lösen Sie den Knopf (13), um den Sägeschuh zu entsichern.
- ◆ Bewegen Sie den Sägeschuh (8) in die gewünschte Lage. Die entsprechende Schnittiefe kann auf der Skala (12) abgelesen werden.
- ◆ Ziehen Sie den Knopf an, um den Sägeschuh in seiner Lage zu sichern.

Einstellen des Gehrungswinkels (Abb. F)

Dieses Werkzeug kann auf Gehrungswinkel zwischen 0° und 45° eingestellt werden.

- ◆ Lösen Sie den Sicherungsknopf (6), um den Sägeschuh zu entriegeln.
- ◆ Bewegen Sie den Sägeschuh (8) in die gewünschte Lage. Der entsprechende Gehrungswinkel kann auf der Skala (5) abgelesen werden.
- ◆ Ziehen Sie den Sicherungsknopf an, um den Sägeschuh in seiner Lage zu sichern.

Ein- und Ausschalten

- ◆ Um das Werkzeug einzuschalten, bewegen Sie auf die Einschaltsperr (2) in die entriegelte Stellung und betätigen Sie den Ein/Ausschalter (1).
- ◆ Um das Gerät auszuschalten, lassen Sie den Ein-/Ausschalter los.

Sägen

- ◆ Halten Sie das Gerät immer mit beiden Händen.
- ◆ Lassen Sie das Sägeblatt einige Sekunden im Leerlauf laufen, bevor Sie den Schnitt vornehmen.
- ◆ Drücken Sie das Werkzeug während des Sägevorgangs nur leicht an.
- ◆ Arbeiten Sie so, daß der Sägeschuh gegen das Werkstück gedrückt wird.

Staubabsaugung (Abb. G)

Um einen Staubsauger oder eine Absaugvorrichtung mit dem Gerät zu verbinden, ist ein Adapter erforderlich. Der Adapter kann von Ihrem örtlichen Black & Decker Händler bezogen werden.

- ◆ Setzen Sie den Staubsauger-Adapter (23) in den Sägemehlauswurf (15).
- ◆ Verbinden Sie den Staubsaugerschlauch mit dem Adapter.

Hinweise für optimale Arbeitsergebnisse

- ◆ Da ein geringfügiges Splintern entlang der Schnittlinie oben auf dem Werkstück unvermeidbar ist, schneiden Sie auf derjenigen Seite, wo ein Splintern akzeptabel ist.
- ◆ Wo ein Splintern gering gehalten werden muß,

z.B. beim Schneiden von Laminat, spannen Sie ein Stück Sperrholz oben auf das Werkstück.

Zubehör

Die Leistung Ihres Geräts hängt vom verwendeten Zubehör ab. Black & Decker und Piranha Zubehör ist nach hohen Qualitätsnormen gefertigt und dafür ausgelegt, die Leistung Ihres Geräts zu steigern. Durch Verwendung dieses Zubehörs erzielen Sie die größtmögliche Leistung Ihres Geräts.

Wartung

Ihr netz- oder akkubetriebenes Black & Decker Gerät/Werkzeug wurde im Hinblick auf eine lange Lebensdauer und einen möglichst geringen Wartungsaufwand entwickelt.

Ein dauerhafter, einwandfreier Betrieb setzt eine regelmäßige Pflege und Reinigung voraus.

Achtung! Vor der Durchführung von Wartungsarbeiten an Elektrogeräten/-werkzeugen mit oder ohne Netzleitung:

- ◆ Schalten Sie das Gerät/Werkzeug aus und ziehen Sie den Netzstecker.
- ◆ Oder schalten Sie das Gerät aus und entfernen Sie den Akku aus dem Gerät/Werkzeug, falls das Gerät/Werkzeug einen eigenen Akku hat.
- ◆ Oder lassen Sie den Akku vollkommen leerlaufen, falls dieser im Gerät eingebaut ist. Schalten Sie das Gerät dann aus.
- ◆ Ziehen Sie den Netzstecker des Ladegeräts aus der Steckdose, bevor Sie es reinigen. Ihr Ladegerät bedarf keinerlei Wartung außer einer regelmäßigen Reinigung.
- ◆ Reinigen Sie regelmäßig die Lüftungsschlitze im Gerät/ Werkzeug/Ladegerät mit Hilfe einer weichen Bürste oder eines trockenen Lappens.
- ◆ Reinigen Sie regelmäßig das Motorgehäuse mit Hilfe eines feuchten Lappens. Verwenden Sie keine scheuernden Reinigungsmittel oder Reinigungsmittel auf Lösungsmittelbasis.
- ◆ Reinigen Sie regelmäßig das Spannfutter (falls angebracht), indem Sie es öffnen und durch leichtes Klopfen den Staub aus dem Inneren entfernen.

Umweltschutz



Getrennte Entsorgung. Dieses Produkt darf nicht über den normalen Hausmüll entsorgt werden.

Sollte Ihr Black & Decker Produkt eines Tages erneuert werden müssen, oder falls Sie es nicht weiter verwenden wollen, so darf es nicht über den

Hausmüll entsorgt werden. Stellen Sie dieses Produkt zur getrennten Entsorgung bereit.



Durch die getrennte Entsorgung gebrauchter Produkte und Verpackungen können die Materialien recycelt und wiederverwertet werden. Die Wiederverwertung recycelter Materialien schont die Umwelt und verringert die Nachfrage nach Rohstoffen.

Die regionalen Bestimmungen schreiben unter Umständen die getrennte Entsorgung elektrischer Produkte aus dem Haushalt an Sammelstellen oder seitens des Händlers vor, bei dem Sie das neue Produkt erworben haben.

Black & Decker nimmt Ihre ausgedienten Black & Decker Geräte gern zurück und sorgt für eine umweltfreundliche Entsorgung und Wiederverwertung. Um diesen Dienst zu nutzen, schicken Sie bitte Ihr Produkt zu einer Vertragswerkstatt. Hier wird es dann auf unsere Kosten gesammelt.

Die Adresse der zuständigen Black & Decker Vertretung steht in diesem Handbuch, darüber läßt sich die nächstgelegene Vertragswerkstatt ermitteln. Außerdem ist eine Liste der Vertragswerkstätten und aller Kundendienststellen von Black & Decker sowie der zuständigen Ansprechpartner im Internet zu finden unter: www.2helpU.com

Technische Daten

		CD601	CD602
		TYPE 2	TYPE 2
Spannung	V _{AC}	230	230
Leistungsaufnahme	W	1.100	1.150
Leerlaufdrehzah	min ⁻¹	5.000	5.000
Maximale Schnittiefe	mm	55	55
Sägeblattdurchmesser	mm	170	170
Sägeblattbohrung	mm	16	16
Sägeblattspitzen-Breite	mm	2,6	2,6
Gewicht	kg	4,7	4,7

Schalldruckpegel nach EN 60745:

Schalldruck (L_{PA}) 101 dB(A), Unsicherheit (K) 3 dB(A)
 Schallleistung (L_{WA}) 112 dB(A), Unsicherheit (K) 3 dB(A)

Gesamtvibrationswerte (Triax-Vektorsumme) gemäß EN 60745:

Vibrationswert (a_n) 4.46 m/s², Unsicherheitsfaktor (K) 1,5 m/s²

EG-Konformitätserklärung
 MASCHINENRICHTLINIE



CD601/CD602

Black & Decker erklärt, daß diese unter „Technische Daten“ beschriebenen Produkte folgende Richtlinien erfüllen: 2006/42/EC, EN 60745-1, EN 60745-2-5

Wenden Sie sich für weitere Informationen bitte an folgende Black & Decker Anschrift bzw. an die hinten im Handbuch angegebene Anschrift. Der Unterzeichnete ist für die Zusammenstellung der technischen Datei verantwortlich und gibt diese Erklärung im Namen von Black & Decker ab.

Kevin Hewitt
 Vice-President Global Engineering
 Black & Decker Europe, 210 Bath Road, Slough,
 Berkshire, SL1 3YD
 Vereinigtes Königreich
 15/07/2010

Garantie

Black & Decker vertraut auf die Qualität der eigenen Geräte und bietet dem Käufer eine außergewöhnliche Garantie.

Diese Garantiezusage versteht sich unbeschadet der gesetzlichen Gewährleistungsansprüche und schränkt diese keinesfalls ein. Sie gilt in sämtlichen Mitgliedsstaaten der Europäischen Union und der Europäischen Freihandelszone EFTA.

Tritt innerhalb von 24 Monaten ab Kaufdatum an einem Gerät von Black & Decker ein auf Material- oder Verarbeitungsfehler zurückzuführender Mangel auf, garantiert Black & Decker den Austausch defekter Teile, die Reparatur von Geräten mit üblichem Verschleiß bzw. den Austausch eines mangelhaften Geräts, ohne den Kunden dabei mehr als unbedingt nötig in Anspruch zu nehmen, allerdings vorbehaltlich folgender Ausnahmen:

- ◆ wenn das Gerät gewerblich, beruflich oder im Verleihgeschäft benutzt wurde;
- ◆ wenn das Gerät mißbräuchlich verwendet oder mit mangelnder Sorgfalt behandelt wurde;
- ◆ wenn das Gerät durch irgendwelche Fremdeinwirkung beschädigt wurde;
- ◆ wenn ein unbefugter Reparaturversuch durch

anderes Personal als das einer Vertragswerkstatt oder des Black & Decker-Kundendienstes unternommen wurde.

Zur Inanspruchnahme dieser Garantie ist dem Verkäufer bzw.

der Vertragswerkstatt ein Kaufnachweis vorzulegen. Der Kaufnachweis muß Kaufdatum und Gerätetyp bescheinigen. Die Adresse des zuständigen Büros von Black & Decker steht in dieser Anleitung, darüber läßt sich die nächstgelegene Vertragswerkstatt ermitteln. Außerdem ist eine Liste der Vertragswerkstätten und aller Kundendienststellen von Black & Decker sowie der zuständigen Ansprechpartner im Internet zu finden unter: **www.2helpU.com**

Bitte besuchen Sie unsere Webseite **www.blackanddecker.de**, um Ihr neues Black & Decker Produkt zu registrieren und über neue Produkte und Sonderangebote aktuell informiert zu werden. Weitere Informationen über die Marke Black & Decker und unsere Produkte finden Sie unter **www.blackanddecker.de**

Utilisation prévue

Votre scie Black & Decker a été conçue pour scier le bois et les produits en bois.

Cet outil a été conçu pour une utilisation exclusivement domestique.

Instructions de sécurité

Consignes de sécurité générales pour les outils électriques



Attention! Prenez connaissance de tous les avertissements de sécurité et de toutes les instructions. Le non-respect des avertissements et des instructions indiqués ci-dessous peut entraîner une électrocution, un incendie ou de graves blessures.

Conservez tous les avertissements et instructions pour référence future. La notion d'« outil électroportatif » mentionnée par la suite se rapporte à des outils électriques raccordés au secteur (avec câble de raccordement) ou fonctionnant sur piles (sans fil).

1. Sécurité de la zone de travail

- a. **Maintenez la zone de travail propre et bien éclairée.** Un lieu de travail en désordre ou mal éclairé augmente le risque d'accidents.
- b. **N'utilisez pas les outils électroportatifs dans un environnement présentant des risques d'explosion ni en présence de liquides, gaz ou poussières inflammables.** Les outils électroportatifs génèrent des étincelles risquant d'enflammer les poussières ou les vapeurs.
- c. **Tenez les enfants et autres personnes éloignés durant l'utilisation de l'outil électroportatif.** En cas d'inattention, vous risquez de perdre le contrôle sur l'outil.

2. Sécurité électrique

- a. **La fiche de secteur de l'outil électroportatif doit convenir à la prise de courant. Ne modifiez en aucun cas la fiche. N'utilisez pas de fiches d'adaptateur avec des outils ayant une prise de terre.** Les fiches non modifiées et les prises de courant appropriées réduisent le risque d'électrocution.
- b. **Évitez le contact physique avec des surfaces mises à la terre telles que tuyaux, radiateurs, fours et réfrigérateurs.** Il y a un risque élevé d'électrocution si votre corps est relié à la terre.

- c. **N'exposez pas l'outil électroportatif à la pluie ni à l'humidité.** La pénétration d'eau dans un outil électroportatif augmente le risque d'électrocution.
- d. **Préservez le câble d'alimentation. N'utilisez pas le câble à d'autres fins que celles prévues, notamment pour porter l'outil, l'accrocher voire le débrancher de la prise de courant. Maintenez le câble éloigné des sources de chaleur, des parties grasses, des bords tranchants ou des parties de l'outil en rotation.** Un câble endommagé ou enchevêtré augmente le risque d'électrocution.
- e. **Si vous utilisez l'outil électroportatif à l'extérieur, utilisez une rallonge homologuée pour utilisation à l'air libre.** L'utilisation d'une rallonge électrique homologuée pour les applications extérieures réduit le risque d'électrocution.
- f. **Si l'usage d'un outil dans un emplacement humide est inévitable, utilisez une alimentation protégée par un dispositif à courant différentiel résiduel (RCD).** L'usage d'un RCD réduit le risque de choc électrique.

3. Sécurité personnelle

- a. **Restez vigilant, surveillez ce que vous faites. Faites preuve de bon sens quand vous utilisez l'outil électroportatif. N'utilisez pas l'outil lorsque vous êtes fatigué ou après avoir consommé de l'alcool, des drogues voire des médicaments.** Un moment d'inattention lors de l'utilisation de l'outil peut entraîner de graves blessures.
- b. **Utilisez un équipement de protection personnelle. Portez toujours une protection pour les yeux.** Les équipements de protection personnelle tels que les masques anti-poussières, chaussures de sécurité antidérapantes, casques ou protections acoustiques utilisés dans des conditions appropriées réduisent les blessures.
- c. **Évitez toute mise en marche involontaire. Vérifiez que l'interrupteur est en position arrêt avant de brancher l'outil au secteur ou au bloc de batteries, de le prendre ou de le porter.** Transporter les outils en avec le doigt sur l'interrupteur ou les brancher avec l'interrupteur en position de marche est une source d'accidents.
- d. **Enlevez tout outil ou clé de réglage avant de mettre l'outil en marche.** Une clé ou un outil se trouvant sur une partie en rotation peut causer des blessures.
- e. **Adoptez une position confortable. Adoptez une position stable et gardez votre équilibre**

à tout moment. Vous contrôlerez mieux l'outil dans des situations inattendues.

- f. **Portez des vêtements appropriés. Ne portez pas de vêtements flottants ou de bijoux. N'approchez pas les cheveux, vêtements ou gants des parties des pièces mobiles.** Les vêtements amples, les bijoux ou les cheveux longs peuvent être attrapés dans les pièces en mouvement.

- g. **Si des dispositifs servant à aspirer ou à recueillir les poussières doivent être utilisés, vérifiez qu'ils sont correctement raccordés et utilisés.** Le fait d'aspirer la poussière permet de réduire les risques inhérents à la poussière.

4. Utilisation des outils électroportatifs et précautions

- a. **Ne surchargez pas l'outil. Utilisez l'outil électroportatif approprié pour le travail à effectuer.** Avec l'outil électroportatif approprié, vous travaillerez mieux et avec plus de sécurité à la vitesse pour laquelle il a été conçu.

- b. **N'utilisez pas un outil électroportatif dont l'interrupteur est défectueux.** Un outil électroportatif qui ne peut plus être mis en ou hors fonctionnement est dangereux et doit être réparé.

- c. **Déconnectez la prise de la source d'alimentation ou le pack-batterie de l'outil électrique avant tout réglage, changement d'accessoire voire rangement des outils électriques.** Cette mesure de précaution empêche une mise en marche par mégarde.

- d. **Rangez les outils électroportatifs hors de portée des enfants. Ne laissez pas les personnes n'étant pas familiarisées avec l'outil ou n'ayant pas lu ces instructions l'utiliser.** Les outils électroportatifs sont dangereux lorsqu'ils sont utilisés par des personnes non initiées.

- e. **Prenez soin des outils électroportatifs. Vérifiez que les parties en mouvement fonctionnent correctement et qu'elles ne sont pas coincées ; vérifiez qu'il n'y a pas de pièces cassées ou endommagées susceptibles de nuire au bon fonctionnement de l'outil. S'il est endommagé, faites réparer l'outil avant de l'utiliser.**

De nombreux accidents sont dus à des outils électroportatifs mal entretenus.

- f. **Maintenez les outils de coupe aiguisés et propres.**

Des outils soigneusement entretenus avec des bords tranchants bien aiguisés se coincent

moins souvent et peuvent être guidés plus facilement.

- g. **Utilisez l'outil électrique, les accessoires et forets, etc. conformément à ces instructions, en tenant compte des conditions de travail et des tâches à effectuer.**

L'utilisation des outils électroportatifs à d'autres fins que celles prévues peut entraîner des situations dangereuses.

5. Réparations

- a. **Faites réparer votre outil électroportatif uniquement par du personnel qualifié et seulement avec des pièces de rechange d'origine.** Cela garantira le maintien de la sécurité de votre outil.

Avertissements de sécurité additionnels pour les outils électriques



Attention ! Avertissements de sécurité supplémentaires pour les scies

- a. **Gardez les mains à distance de la zone de sciage et de la lame de scie. Tenez la poignée supplémentaire ou le carter du moteur de l'autre main.** Si vous tenez la scie circulaire des deux mains, celles-ci ne peuvent pas être blessées par la lame de scie.
- b. **Ne passez pas les mains sous la pièce à travailler.** Sous la pièce à travailler, le carter de protection ne peut pas vous protéger de la lame de scie.
- c. **Réglez la profondeur de coupe selon l'épaisseur de la pièce à ouvrir.** La partie inférieure de la pièce à ouvrir doit laisser voir moins d'une dent complète de la lame de scie.
- d. **Ne tenez jamais la pièce à scier dans la main ou sur la jambe. Fixez la pièce sur un support stable.** Il est important que la pièce soit correctement soutenue afin de minimiser les risques de blessures corporelles, lorsque la scie se coince ou en cas de perte de contrôle.
- e. **Tenez l'appareil uniquement par les surfaces isolées des poignées si l'opération effectuée peut mettre la lame en contact avec des câbles électriques cachés ou son propre cordon électrique.** Le contact avec un câble sous tension met les parties métalliques de l'outil électrique sous tension et peut provoquer une électrocution de l'utilisateur.

- f. **Utilisez toujours une butée ou un guidage droit de bords pour des coupes longitudinales.** Ceci améliore la précision de la coupe et réduit le danger de voir la lame de scie se coincer.
- g. **Utilisez toujours des lames de scie de taille et de forme adaptées à l'alésage de fixation (par ex. en étoile ou rond).** Les lames de scie inadaptées au matériel de montage de la scie risquent de s'excentrer, occasionnant une perte de contrôle.
- h. **N'utilisez jamais de rondelles ou de boulons endommagés voire inadaptés à la lame de scie.** Les rondelles et boulons de la lame de scie ont été spécialement conçus pour votre scie, pour une performance et une sécurité de fonctionnement optimales.

Instructions de sécurité additionnelles pour toutes les scies

Causes de contrecoups et comment les éviter:

- ◆ le contrecoup est une réaction soudaine d'une lame de scie restée accrochée, coincée ou mal orientée. La scie qui n'est plus sous contrôle sort de la pièce à ouvrir et est projetée vers l'utilisateur;
- ◆ si la lame de scie reste accrochée ou coincée dans la fente sciée qui se ferme, elle se bloque et la force du moteur ramène l'outil rapidement vers l'utilisateur;
- ◆ si la lame de scie est tordue ou mal orientée dans le tracé de la coupe, les dents du bord arrière de la lame de scie risquent de se coincer dans la surface de la pièce. De ce fait, la lame de scie saute brusquement de la fente et est propulsée en arrière sur l'utilisateur.

Le contrecoup est le résultat d'une utilisation inappropriée de la scie voire de procédures ou de conditions d'utilisation incorrectes. Il peut être évité en appliquant les précautions adéquates, décrites ci-dessous.

- a. **Maintenez fermement la scie des deux mains et positionnez vos bras de sorte à pouvoir résister aux contrecoups. Positionnez toujours votre corps d'un côté ou de l'autre de la lame de scie. Ne vous placez jamais dans l'alignement de la lame.** En cas de contrecoup, la scie circulaire risque d'être propulsée vers l'arrière. Cependant l'utilisateur peut contrôler les forces de contrecoup en respectant les précautions adéquates.
- b. **Si la lame de scie se coince ou que le sciage est interrompu pour une raison quelconque,**

lâchez l'interrupteur Marche/ Arrêt et maintenez la scie immobile dans la pièce jusqu'à son arrêt total. N'essayez jamais de sortir la scie de la pièce ou de la tirer en arrière tant que la lame de scie n'est pas immobile ou qu'un contrecoup reste possible. Déterminez pourquoi la scie s'est coincée et corrigez le problème.

- c. **Pour redémarrer une scie coincée dans une pièce, centrez la lame de scie dans la fente et vérifiez que ses dents ne sont pas engagées dans la pièce.** Si la lame de scie est coincée, elle peut sortir de la pièce ou causer un contrecoup si la scie est remise en marche.
- d. **Soutenez les grands panneaux afin de minimiser le risque de contrecoup causé par une lame de scie coincée.** Les grands panneaux risquent de s'arquer sous leur propre poids. Les panneaux doivent être soutenus des deux côtés par des supports, près de la fente de scie ainsi qu'aux bords des panneaux.
- e. **N'utilisez pas de lames de scie émoussées ou endommagées.** Les lames de scie dont les dents sont émoussées ou mal orientées produisent une fente trop étroite générant une friction élevée, augmentant le risque de voir la lame se coincer et provoquer un contrecoup.
- f. **Les leviers de blocage des réglages de la profondeur et de l'angle de coupe doivent être bien serrés et verrouillés avant de scier.** Si les réglages se modifient pendant le sciage, la lame de scie risque de se coincer et de provoquer un contrecoup.
- g. **Faites preuve d'une prudence particulière pour effectuer une « coupe en plongée » dans les murs préexistants ou autres parties non apparentes.** La partie saillante de la lame peut couper des objets susceptibles de provoquer un contrecoup.

Instructions de sécurité pour les scies circulaires avec des carters de protection pendulaires extérieur ou intérieur et avec un carter de protection arrière

- a. **Contrôlez avant chaque utilisation la fermeture correcte du carter inférieur de protection. N'utilisez pas la scie si le carter inférieur de protection ne bouge pas librement et ne se ferme pas instantanément. Ne fixez et n'attachez jamais le carter inférieur de protection pour le laisser en position ouverte.** Si, par mégarde, la scie tombe par terre, le carter inférieur de protection risque d'être déformé.

Levez le carter de protection avec la poignée rétractable, assurez-vous qu'il peut bouger librement et ne touche ni la lame de scie ni d'autres éléments de l'appareil, quel que soit l'angle ou la profondeur de coupe.

- b. **Contrôlez le bon fonctionnement du ressort du carter inférieur de protection. Faire effectuer un entretien de l'appareil avant de l'utiliser, si le capot inférieur de protection et le ressort ne travaillent pas impeccablement.** Des pièces endommagées, restes de colle ou accumulations de débris peuvent ralentir l'actionnement du carter inférieur de protection.
- c. **Ouvrez le carter inférieur de protection manuellement uniquement pour des coupes spéciales, ainsi les « coupes en plongée » ou les « coupes angulaires ». Ouvrez le carter inférieur de protection en rétractant la poignée et libérez-le dès que la lame de scie est entrée dans la pièce.** Pour toutes les autres opérations de sciage, le carter inférieur de protection doit fonctionner automatiquement.
- d. **Ne placez jamais la scie sur l'établi ou au sol si le carter inférieur de protection ne couvre pas la lame de scie.** Une lame de scie sans protection et encore en mouvement ramène la scie en arrière, sciant tout sur son passage. Tenez compte du temps nécessaire à la scie pour ralentir.

Instructions de sécurité additionnelles pour toutes les scies avec refendeur

- a. **Utilisez le refendeur adapté à la lame de scie montée.** Le refendeur doit être plus épais que le corps de la lame mais plus fin qu'une de ses dents.
- b. **Réglez le refendeur conformément aux instructions de ce manuel.** Un espacement, un positionnement et un alignement incorrects peuvent rendre le refendeur incapable d'empêcher un contrecoup.
- c. **Utilisez toujours le refendeur sauf pour les coupes en plongée. Le refendeur doit être remplacé après une coupe en plongée.** Le refendeur gêne les coupes en plongées et risque de provoquer un contrecoup.
- d. **Le refendeur doit être engagé dans la pièce à ouvrir pour fonctionner correctement.** Le refendeur ne peut empêcher les contrecoups pour les coupes courtes.
- e. **N'utilisez pas la scie si le refendeur est déformé.** La moindre déformation peut ralentir la fermeture du carter de protection.

Risques résiduels

Les risques suivants sont inhérents à l'utilisation des scies :

- Blessures au contact des pièces en rotation.
- Malgré l'application des règles de sécurité adéquates et la mise en place des dispositifs de sécurité, certains risques résiduels ne peuvent être évités. Il s'agit de :
- Diminution de l'acuité auditive.
 - Risque d'accidents provoqués par des parties non protégées de la lame de scie en rotation.
 - Risque de blessure lors du changement de lame.
 - Risque de pincement des doigts à l'ouverture des carters de protection.
 - Risques pour la santé provoqués par la respiration de poussières dégagées lors du sciage du bois, en particulier du chêne, du hêtre et du MDF.

Lames de scie

- ◆ N'utilisez pas de lames de diamètres plus élevés ou plus faibles que ceux recommandés. Référez-vous aux données techniques pour obtenir les caractéristiques appropriées des lames. Utilisez uniquement les lames indiquées dans ce manuel, conformes à la norme EN 847-1.
- ◆ **Attention !** N'utilisez jamais de disques abrasifs.

Sécurité des tiers

- ◆ Cet appareil n'est pas destiné à être utilisé par des personnes (notamment des enfants) présentant des capacités physiques, sensorielles ou mentales limitées voire dépourvues de connaissance et d'expérience, sauf si elles sont supervisées ou ont reçu des instructions pour l'usage de l'appareil par une personne responsable de leur sécurité.
- ◆ Les enfants ne doivent pas jouer avec l'appareil.

Vibration

Les valeurs des émissions de vibrations mentionnées dans les données techniques et la déclaration de conformité ont été mesurées conformément à la méthode de test normalisée indiquée par EN 60745 et permettent les comparaisons entre outils. Les valeurs des émissions de vibrations peuvent également servir à une évaluation préliminaire de l'exposition.

Attention! Les valeurs des émissions de vibrations en utilisant réellement l'outil peuvent différer des valeurs déclarées en fonction du mode d'usage

de l'outil. Le niveau de vibration peut dépasser le niveau indiqué.

Pour évaluer l'exposition aux vibrations afin de déterminer les mesures de sécurité imposées par 2002/44/CE pour protéger les personnes utilisant régulièrement des outils électriques, une estimation de l'exposition aux vibrations devrait prendre en compte les conditions réelles et le mode d'utilisation de l'outil, notamment l'ensemble du cycle de fonctionnement ainsi l'arrêt de l'outil et son fonctionnement au ralenti, outre le démarrage.

Étiquettes apposées sur l'outil

Les pictogrammes suivants sont présents sur l'outil:



Attention! Afin de réduire les risques de blessures, l'utilisateur doit lire le manuel d'instructions.

Sécurité électrique



L'outil est doublement isolé; par conséquent, aucun câble de masse n'est nécessaire. Vérifiez si le voltage mentionné sur la plaque signalétique de la machine correspond bien à la tension de secteur présente sur lieu.

- ◆ Si le câble d'alimentation est endommagé, il doit être remplacé par le fabricant ou par un centre de réparation agréé Black & Decker afin d'éviter tout accident.

Caractéristiques

1. Interrupteur marche/arrêt
2. Bouton de blocage
3. Poignée principale
4. Poignée secondaire
5. Echelle d'angle à onglet
6. Bouton de blocage pour angle à onglet
7. Guide parallèle
8. Talon
9. Lame de scie sauteuse
10. Protection de la lame de scie
11. Couteau diviseur
12. Profondeur d'échelle de coupe
13. Bouton de blocage pour le réglage de la profondeur de coupe
14. Clé plate
15. Orifice de sortie de poussière

Montage

Attention! Avant d'effectuer l'une des opérations suivantes, assurez-vous que l'outil est bien éteint et débranché et que la lame a cessé de tourner.

Retrait et pose d'une lame de scie (fig. A)

Attention! Cette méthode de changement de lame n'est appropriée qu'avec les lames qui contiennent un trou (16) de blocage pour maintenir la lame pendant l'installation et le retrait.

Démontage

- ◆ Insérez un tournevis dans l'orifice (16) pour empêcher la lame de scie de tourner.
- ◆ Dévissez et enlevez la vis de fixation de la lame (17) en la faisant tourner dans le sens inverse des aiguilles d'une montre à l'aide de la clé plate fournie (14).
- ◆ Enlevez la rondelle extérieure (18).
- ◆ Démontez la lame de scie (9).

Montage

- ◆ Placez la lame de scie sur la rondelle intérieure (19), en vérifiant que la flèche figurant sur la lame est bien pointée dans la même direction que la flèche de l'outil.
- ◆ Installez la rondelle extérieure (18) sur l'arbre, avec la partie élevée pointant dans la direction opposée à la lame de scie.
- ◆ Insérez la vis de fixation de la lame (17) dans l'orifice.
- ◆ Insérez un tournevis dans l'orifice (16) pour empêcher la lame de scie de tourner.
- ◆ Vissez la vis de fixation de la lame en la faisant tourner dans le sens des aiguilles d'une montre à l'aide de la clé plate (14) fournie.
- ◆ Réglez le couteau diviseur comme indiqué ci-dessous.

Attention! Après chaque installation d'une nouvelle lame, vérifiez si le protège-lame peut bouger librement.

Installation et retrait d'une lame (figure B)

Attention! Cette méthode est appropriée au changement de lames ne contenant pas de trou (16) de blocage pour maintenir la lame pendant l'installation et le retrait.

Retrait

- ◆ Réglez la profondeur de coupe sur la scie à 10 mm.
- ◆ Placez une planche de bois au sol, puis la scie sur le bord d'attaque du bois comme indiqué figure B pour éviter que la lame ne tourne.

- ◆ En appuyant légèrement sur la scie, desserrez et retirez la vis de fixation de la lame (17) en la tournant dans le sens inverse des aiguilles d'une montre à l'aide de la clé (14) fournie.
- ◆ Retirez la rondelle extérieure (18).
- ◆ Retirez la lame (9).

Mise en place

- ◆ Placez la lame sur la rondelle intérieure (19) en s'assurant que la flèche sur la lame est orientée dans la même direction que la flèche sur l'outil.
- ◆ Installez la rondelle extérieure (18) sur l'axe, avec la partie relevée vers l'extérieur de la lame.
- ◆ Insérez la vis de fixation de la lame (17) dans le trou et serrez-la légèrement à la main.
- ◆ Placez une planche de bois au sol, puis la scie sur le bord d'attaque du bois comme indiqué figure B pour éviter que la lame ne tourne.
- ◆ En appuyant légèrement sur la scie, serrez fermement la vis de fixation de la lame (17) en la tournant dans le sens des aiguilles d'une montre à l'aide de la clé (14) fournie.
- ◆ Ajustez le couteau diviseur comme décrit ci-dessous.

Attention ! Après chaque installation d'une nouvelle lame, vérifiez si le protège-lame peut bouger librement.

Réglage du couteau diviseur (fig. C)

Le couteau diviseur empêche la lame de scie de se coincer pendant les opérations de coupe en longueur. Le couteau diviseur doit être réglé après le remplacement de la lame de scie.

- ◆ Dévissez la vis (20) qui maintient le couteau diviseur.
- ◆ Placez le couteau diviseur (11) comme sur la figure.

La distance entre les dents de la lame et le couteau diviseur doit être de 2-3 mm.

La différence de hauteur entre les dents de la lame et l'extrémité inférieure du couteau diviseur doit être de 2-3 mm.

- ◆ Serrez la vis.

Installation et démontage du guide parallèle (fig. D)

Le guide parallèle est utilisé pour scier en ligne droite parallèlement aux bords de la pièce à scier.

Montage

- ◆ Dévissez le bouton de blocage (21).
- ◆ Insérez le guide parallèle (7) dans les orifices (22).
- ◆ Faites glisser le guide parallèle dans la position souhaitée.

- ◆ Vissez le bouton de blocage.

Démontage

- ◆ Dévissez le bouton de blocage (21).
- ◆ Ecartez le guide parallèle de l'outil.

Utilisation

Cet outil peut être tenu de la main droite ou de la main gauche.

Réglage de la profondeur de coupe (fig. E)

La profondeur de coupe doit être fixée en fonction de l'épaisseur de la pièce à scier. Elle doit être supérieure d'environ 2 mm. par rapport à l'épaisseur.

- ◆ Dévissez le bouton (13) pour débloquent le patin de la scie.
- ◆ Déplacez le patin de la scie (8) dans la position voulue. Vous pourrez lire la profondeur de coupe sur l'échelle graduée (12).
- ◆ Vissez le bouton de blocage pour rebloquer le patin de scie.

Réglage de l'angle en onglet (fig. F)

Cet outil peut être réglé pour exécuter des angles en onglet entre 0° et 45°.

- ◆ Dévissez le bouton de blocage (6) pour débloquent le patin de la scie.
- ◆ Déplacez le patin de la scie (8) dans la position voulue. Vous pourrez lire l'angle en onglet correspondant sur l'échelle graduée (5).
- ◆ Vissez le bouton de blocage pour rebloquer le patin de scie.

Démarrage et arrêt

- ◆ Pour allumer l'outil, placez le bouton de verrouillage (2) sur la position déverrouillée et appuyez sur l'interrupteur de marche/arrêt (1).
- ◆ Pour éteindre l'outil, relâchez l'interrupteur marche/arrêt.

Sciage

- ◆ Tenez toujours l'outil des deux mains.
- ◆ Laissez la lame tourner librement pendant quelques secondes avant de commencer la coupe.
- ◆ Appuyez légèrement sur l'outil pendant que vous sciez.
- ◆ Travaillez avec le talon appuyé sur la pièce.

Sortie de la poussière (fig. G)

Vous aurez besoin d'un adaptateur pour brancher un aspirateur ou un système d'aspiration de la poussière sur l'outil. Vous pourrez vous en procurer un auprès de votre détaillant agréé Black & Decker.

- ◆ Insérez l'adaptateur d'extraction (23) de poussière dans l'orifice de sortie de la poussière (15).
- ◆ Raccordez le tuyau de l'aspirateur à l'adaptateur.

Conseils pour une utilisation optimale

- ◆ Etant donné qu'il est inévitable que se produisent quelques éclatements du bois le long de la ligne de coupe sur la face supérieure de la pièce sciée, coupez la pièce sur le bord où les petits éclatements peuvent être admis.
- ◆ Lorsque les éclatements doivent être réduits au minimum, par exemple si vous sciez des plaques laminées, fixez un morceau de contreplaqué sur la face supérieure de la pièce.

Accessoires

Les performances de votre outil dépendent de l'accessoire que vous utilisez. Les accessoires Black & Decker et Piranha sont conçus selon les normes de haute qualité pour améliorer les performances de votre outil. En utilisant ces accessoires, vous obtiendrez les meilleurs résultats de votre outil.

Entretien

Votre appareil/outil Black & Decker avec/sans fil a été conçu pour fonctionner pendant longtemps avec un minimum d'entretien. Un fonctionnement continu satisfaisant dépend d'un nettoyage régulier et d'un entretien approprié de l'outil.

Attention! Avant toute activité d'entretien sur les outils électriques avec/sans fil:

- ◆ Eteignez et débranchez l'appareil/l'outil.
- ◆ Ou coupez et retirez la batterie de l'appareil/outil s'il comporte un pack-batterie séparé.
- ◆ Soit épuisez complètement la batterie si elle est intégrée puis mettez hors tension.
- ◆ Débranchez le chargeur avant de le nettoyer. Votre chargeur ne nécessite aucun autre entretien qu'un nettoyage régulier.
- ◆ Nettoyez régulièrement les fentes de ventilation de votre outil/appareil/chargeur à l'aide d'une brosse douce ou d'un chiffon sec.
- ◆ Nettoyez régulièrement le carter moteur à l'aide d'un chiffon humide. N'utilisez pas de produit abrasif ou à base de solvant.
- ◆ Ouvrez régulièrement le mandrin (le cas échéant) et tapotez dessus pour retirer toute poussière à l'intérieur.

Protection de l'environnement



Collecte séparée. Ce produit ne doit pas être jeté avec les déchets domestiques normaux.

Si vous décidez de remplacer ce produit Black & Decker, ou si vous n'en avez plus l'utilité, ne le jetez pas avec vos déchets domestiques. Rendez-le disponible pour une collecte séparée.



La collecte séparée des produits et emballages usés permet le recyclage des articles afin de les utiliser à nouveau. Le fait d'utiliser à nouveau des produits recyclés permet d'éviter la pollution environnementale et de réduire la demande de matières premières.

Les réglementations locales peuvent permettre la collecte séparée des produits électriques du foyer, dans des déchetteries municipales ou auprès du revendeur vous ayant vendu votre nouveau produit.

Black & Decker fournit un dispositif permettant de collecter et de recycler les produits Black & Decker lorsqu'ils ont atteint la fin de leur cycle de vie. Pour pouvoir profiter de ce service, veuillez retourner votre produit à un réparateur agréé qui se chargera de le collecter pour nous.

Pour connaître l'adresse du réparateur agréé le plus proche de chez vous, contactez le bureau Black & Decker à l'adresse indiquée dans ce manuel. Vous pourrez aussi trouver une liste des réparateurs agréés de Black & Decker et de plus amples détails sur notre service après-vente sur le site Internet à l'adresse suivante: www.2helpU.com

Caractéristiques techniques

		CD601 TYPE 2	CD602 TYPE 2
Tension	V _{AC}	230	230
Puissance absorbée	W	1.100	1.150
Vitesse à vide	min ⁻¹	5.000	5.000
Profondeur max. de coupe	mm	55	55
Diamètre de lame	mm	170	170
Alésage de lame	mm	16	16
Largeur de l'extrémité de la lame.	mm	2.6	2.6
Poids	kg	4,7	4,7

Niveau de pression sonore selon EN 60745:

Pression sonore (L_{pA}) 101 dB(A), incertitude (K) 3 dB(A)
 Puissance acoustique (L_{WA}) 112 dB(A), incertitude (K) 3 dB(A)

Valeurs de vibration totales (somme vectorielle triaxiale) selon EN 60745:

Valeur d'émissions de vibrations (a_h) 4.46 m/s², incertitude (K) 1,5 m/s²

Déclaration de conformité CE

DIRECTIVE MACHINES



CD601/CD602

Black & Decker déclare que ces produits décrits sous les «caractéristiques techniques» sont conformes avec:

2006/42/EC, EN 60745-1, EN 60745-2-5

Pour en savoir plus, veuillez contacter Black & Decker à l'adresse suivante ou consultez le dos du manuel.

Le soussigné est responsable de la compilation du fichier technique et effectue cette déclaration au nom de Black & Decker.

Kevin Hewitt

Vice-président Ingénierie globale
 Black & Decker Europe, 210 Bath Road, Slough,
 Berkshire, SL1 3YD
 Royaume Uni
 15/07/2010

Garantie

Black & Decker est confiant dans la qualité de ses produits et vous offre une garantie très étendue. Ce certificat de garantie est un document supplémentaire et ne peut en aucun cas se substituer à vos droits légaux. La garantie est valable sur tout le territoire des Etats Membres de l'Union Européenne et de la Zone de Libre Echange Européenne.

Si un produit Black & Decker s'avère défectueux en raison de matériaux en mauvaises conditions, d'une erreur humaine, ou d'un manque de conformité dans les 24 mois suivant la date d'achat, Black & Decker garantit le remplacement des pièces défectueuses, la réparation des produits usés ou cassés ou remplace ces produits à la convenance du client, sauf dans les circonstances suivantes:

- ◆ Le produit a été utilisé dans un but commercial, professionnel, ou a été loué.
- ◆ Le produit a été mal utilisé ou avec négligence.
- ◆ Le produit a subi des dommages à cause d'objets étrangers, de substances ou à cause d'accidents.
- ◆ Des réparations ont été tentées par des techniciens ne faisant pas partie du service technique de Black & Decker.

Pour avoir recours à la garantie, il est nécessaire de fournir une preuve d'achat au vendeur ou à un réparateur agréé.

Pour connaître l'adresse du réparateur agréé le plus proche de chez vous, contactez le bureau Black & Decker à l'adresse indiquée dans ce manuel. Vous pourrez aussi trouver une liste des réparateurs agréés de Black & Decker et de plus amples détails sur notre service après-vente sur le site Internet à l'adresse suivante: **www.2helpU.com**

Visitez notre site Web **www.blackanddecker.fr** pour enregistrer votre nouveau produit Black & Decker et être informé des nouveaux produits et des offres spéciales. Pour plus d'informations concernant la marque Black & Decker et notre gamme de produits, consultez notre site **www.blackanddecker.fr**

Použití výrobku

Vaše pila Black & Decker je určena k řezání dřeva a dřevěných výrobků. Tento výrobek je určen pouze pro spotřebitelské použití.

Bezpečnostní pokyny

Všeobecné bezpečnostní pokyny pro práci s elektrickým nářadím



Varování! Pozorně si přečtete všechny pokyny. Nedodržení níže uvedených varování a pokynů může způsobit úraz elektrickým proudem, vznik požáru nebo vážné zranění.

Veškerá bezpečnostní varování a pokyny uschovejte pro případné další použití.

Označení elektrické nářadí ve všech níže uvedených upozorněních odkazuje na vaše nářadí napájené ze sítě (obsahuje napájecí kabel) nebo nářadí napájené bateriemi (bez napájecího kabelu).

1. Bezpečnost v pracovním prostoru

- Udržujte pracovní prostor v čistotě a dobře osvětlený.** Nepořádek na pracovním stole a nedostatek světla v jeho okolí vedou k nehodám.
- S elektrickým nářadím nepracujte ve výbušných prostorách, jako jsou například prostory s výskytem hořlavých kapalin, plynů nebo prašných látek.** Elektrické nářadí je zdrojem jiskření, které může způsobit vznícení hořlavin.
- Při práci s elektrickým nářadím udržujte děti a okolní osoby mimo jeho dosah.** Rozptylování může způsobit ztrátu kontroly nad nářadím.

2. Elektrická bezpečnost

- Zástrčka napájecího kabelu nářadí musí odpovídat zásuvce. Zástrčku nikdy žádným způsobem neupravujte. Nepoužívejte u uzemněného elektrického nářadí žádné upravené zástrčky.** Neupravované zástrčky a odpovídající zásuvky snižují riziko vzniku úrazu elektrickým proudem.
- Nedotýkejte se uzemněných povrchů, jako jsou například potrubí, radiátory, elektrické sporáky a chladničky.** Při uzemnění vašeho těla hrozí zvýšené nebezpečí úrazu elektrickým proudem.
- Nevystavujte elektrické nářadí dešti nebo vlhkému prostředí.**

Pokud do nářadí vnikne voda, zvýší se riziko úrazu elektrickým proudem.

- S napájecím kabelem zacházejte opatrně. Nikdy nepoužívejte napájecí kabel k přenášení nářadí, k jeho posouvání a při odpojování nářadí od elektrické sítě za něj netahejte.** Dbejte na to, aby se kabel nedostal do kontaktu s mastnými, horkými a ostrými předměty a s pohyblivými částmi nářadí. Poškozený nebo zauzlený napájecí kabel zvyšuje riziko úrazu elektrickým proudem.
 - Pracujete-li s nářadím venku, používejte prodlužovací kabely určené pro venkovní použití.** Použití kabelu určeného k venkovnímu použití snižuje riziko úrazu elektrickým proudem.
 - Musíte-li používat elektrické nářadí ve vlhkém prostředí, použijte u napájení proudový chránič (RCD).** Použití proudového chrániče (RCD) snižuje riziko úrazu elektrickým proudem.
- ### 3. Bezpečnost obsluhy
- Při práci s elektrickým nářadím zůstaňte stále pozorní, sledujte, co provádíte a přemýšlejte. Nepoužívejte elektrické nářadí, jste-li unaveni, pod vlivem drog, alkoholu nebo léků.** Chvilka nepozornosti při práci s elektrickým nářadím může vést k vážnému úrazu.
 - Používejte prvky osobní ochrany. Vždy používejte vhodnou ochranu zraku.** Ochranné prostředky jako respirátor, neklouzavá pracovní obuv, přilba a chrániče sluchu, používané v příslušných podmínkách, snižují riziko poranění osob.
 - Zabraňte náhodnému spuštění. Před připojením zdroje napětí, před nasunutím baterie a před přenášením nářadí zkontrolujte, zda je vypnutý hlavní spínač.** Přenášení elektrického nářadí s prstem na hlavním spínači nebo připojení napájecího kabelu k elektrické síti, je-li hlavní spínač nářadí v poloze zapnuto, může způsobit úraz.
 - Před spuštěním nářadí se vždy ujistěte, zda nejsou v jeho blízkosti klíče nebo seřizovací přípravky.** Seřizovací klíče ponechané na nářadí mohou být zachyceny rotujícími částmi nářadí a mohou způsobit úraz.
 - Nepřekázejte sami sobě. Při práci vždy udržujte vhodný a pevný postoj.** Tak je umožněna lepší ovladatelnost nářadí v neočekávaných situacích.
 - Vhodně se oblékejte. Nenoste volný oděv nebo šperky.** Dbejte na to, aby se vaše vlasy, oděv a

rukavice nedostaly do kontaktu s pohyblivými částmi. Volný oděv, šperky nebo dlouhé vlasy mohou být pohyblivými díly zachyceny.

- g. **Pokud jsou zařízení vybavena adaptérem pro připojení odsávacího zařízení a sběrných zásobníků, zajistěte jejich správné připojení a řádnou funkci.** Použití těchto zařízení může snížit nebezpečí týkající se prachu.
4. **Použití elektrického nářadí a jeho údržba**
- a. **Elektrické nářadí nepřetěžujte. Používejte správný typ nářadí pro prováděnou práci.** Při použití správného typu nářadí bude práce provedena lépe a bezpečněji.
 - b. **Pokud nelze hlavní spínač nářadí zapnout a vypnout, s nářadím nepracujte.** Každé elektrické nářadí s nefunkčním hlavním spínačem je nebezpečné a musí být opraveno.
 - c. **Před výměnou jakýchkoli částí, příslušenství či jiných připojených součástí, před prováděním servisu nebo pokud nářadí nepoužíváte, odpojte jej od elektrické sítě nebo z něj vyjměte baterii.** Tato preventivní bezpečnostní opatření snižují riziko náhodného spuštění nářadí.
 - d. **Pokud nářadí nepoužíváte, uložte jej mimo dosah dětí a zabraňte tomu, aby bylo toto nářadí použito osobami, které nejsou seznámeny s jeho obsluhou nebo s tímto návodem.** Elektrické nářadí je v rukou nekvalifikované obsluhy nebezpečné.
 - e. **Údržba elektrického nářadí. Zkontrolujte vychýlení nebo zaseknutí pohyblivých částí, poškození jednotlivých dílů a jiné okolnosti, které mohou mít vliv na chod nářadí. Je-li nářadí poškozeno, nechejte jej před použitím opravit.** Mnoho nehod vzniká v důsledku nedostatečné údržby nářadí.
 - f. **Řezné nástroje udržujte ostré a čisté.** Řádně udržované řezné nástroje s ostrými břity se méně zanáší a lépe se ovládají.
 - g. **Používejte elektrické nářadí, příslušenství a držáky nástrojů podle těchto pokynů a berte v úvahu provozní podmínky a práci, která bude prováděna.** Použití elektrického nářadí k jiným účelům, než k jakým je určeno, může být nebezpečné.
5. **Opravy**
- a. **Svěřte opravu vašeho elektrického nářadí pouze osobě s příslušnou kvalifikací, která bude používat výhradně originální náhradní díly.** Tím zajistíte bezpečný provoz nářadí.

Další bezpečnostní výstrahy týkající se elektrického nářadí



Varování! Další bezpečnostní výstrahy pro pily

- a. **Nevkládejte ruce do prostoru řezání a nepřibližujte je ke kotouči. Mějte druhou ruku položenou na přidavné rukojeti nářadí nebo na krytu motoru.** Držíte-li pilu oběma rukama, nemůže dojít k jejich pořezání.
- b. **Nesahejte pod obrobek.** Ochranný kryt Vás nemůže chránit před pilovým kotoučem pod obrobkem.
- c. **Upravte hloubku řezu podle tloušťky obrobku.** Při provádění řezu by neměla být pod obrobkem vidět celá délka zubů pilového kotouče.
- d. **Nikdy nedržte odřezávaný kousek obrobku v ruce a nepokládejte si jej přes nohu. Upněte si obrobek do stabilního svěráku.** Správné upnutí a podepření obrobku je velmi důležité z hlediska minimalizace ohrožení obsluhy, ohybu pilového kotouče nebo ztráty ovladatelnosti.
- e. **Při pracovních operacích, u kterých by mohlo dojít ke kontaktu se skrytými vodiči nebo s vlastním napájecím kabelem, držte elektrické nářadí vždy za izolované rukojeti.** Při kontaktu s „živým“ vodičem způsobí nechráněné kovové části nářadí obsluze úraz elektrickým proudem.
- f. **Při provádění rozřezávání používejte vždy pravítko nebo přímou vodící hranu.** Tímto způsobem zvýšíte přesnost řezu a snížíte riziko ohybu pilového kotouče.
- g. **Vždy používejte kotouče správné velikosti a tvaru upínacího otvoru (hranaté versus kruhové).** Pilové kotouče s otvory, které neodpovídají montážnímu úchytu na pile, se budou otáčet excentricky, což způsobí ztrátu ovladatelnosti nářadí.
- h. **Nikdy nepoužívejte poškozené nebo nesprávné podložky a šrouby.** Podložky a upínací šrouby byly zkonstruovány přímo pro Vaši pilu, což zaručuje její optimální výkon a bezpečnost jejího provozu.

Další bezpečnostní pokyny pro všechny pily

Příčiny a ochrana obsluhy před působením zpětného rázu:

- ◆ zpětný ráz je náhlou reakcí, která je způsobena sevřením, odskočením nebo nesprávným seřizením pilového kotouče, což dále způsobí nekontrolované nadzvednutí pily a její odmrštění

od obrobku směrem k obsluze;

- ◆ dojde-li k přiskřípnutí kotouče nebo k jeho odskočení od zářezu, kotouč se zastaví a reakce motoru odmrští pilu rychle zpět, směrem k obsluze;
- ◆ dojde-li ke zkroucení pilového kotouče nebo k jeho vychýlení v řezu, zuby na zadní hraně pilového kotouče se mohou zarýt do horní části obrobku, což způsobí vyskočení pilového kotouče ze zářezu a odskočení pily směrem k obsluze.

Zpětný ráz je výsledkem nesprávného použití pily nebo nesprávných pracovních postupů nebo provozních podmínek. Tomuto jevu můžete zabránit, budete-li dodržovat níže uvedené pokyny.

- a. **Držte pilu stále oběma rukama a mějte ruce v takové poloze, abyste byli stále připraveni kompenzovat síly zpětného rázu. Postavte se tak, abyste stáli z jedné nebo ze druhé strany pilového kotouče a ne přímo v jeho ose.** Zpětný ráz může způsobit odskočení pily směrem dozadu, ale budete-li dodržovat uvedené pokyny, obsluha může síly zpětného rázu eliminovat.
- b. **Dojde-li k zaseknutí pilového kotouče nebo k přerušení řezu z jakéhokoliv důvodu, uvolněte hlavní spínač a držte pilu bez pohybu v materiálu, dokud nedojde k úplnému zastavení pilového kotouče. Dokud je pilový kotouč v pohybu, nikdy se nepokoušejte vyjmout pilu z obrobku nebo ji táhnout zpět, protože by mohlo dojít ke zpětnému rázu.** Přemýšlejte a provádějte opravné akce, abyste eliminovali příčinu zaseknutí pilového kotouče.
- c. **Zahajujete-li znovu řez v obrobku, srovnejte pilový kotouč v zářezu a zkontrolujte, zda se zuby pilového kotouče nedotýkají materiálu obrobku.** Dojde-li po spuštění pily k zaseknutí zubů pilového kotouče, může dojít k pohybu pily směrem nahoru nebo ke zpětnému rázu.
- d. **Velké panely si vždy řádně podepřete, aby bylo minimalizováno riziko sevření pilového kotouče a riziko zpětného rázu.** Velké panely mají působením vlastní hmotnosti tendenci se prohýbat. Podpěry musí být umístěny pod panelem na obou stranách v blízkosti čáry řezu a v blízkosti hrany panelu.
- e. **Nepoužívejte tupé nebo poškozené pilové kotouče.** Neostré nebo nesprávně upnuté pilové kotouče vytváří úzký řez, což způsobuje nadměrné tření, zasekávání kotouče a zpětné rázy.
- f. **Zajišťovací páky hloubky řezu a šikmých řezů**

musí být před zahájením řezu řádně utaženy a zajištěny. Dojde-li při provádění řezu k posuvu, může dojít k zaseknutí pilového kotouče nebo ke zpětnému rázu.

- g. **Provádíte-li zářezy do stěn nebo do jiných ploch, buďte velmi opatrní.** Vyčnívající pilový kotouč může proříznout objekty, které mohou způsobit zpětný ráz.

Bezpečnostní pokyny pro kotoučové pily s vnějšími nebo vnitřními výkyvnými kryty a vlečným krytem.

- a. **Před každým použitím zkontrolujte, zda dochází ke správnému uzavření spodního krytu. Nepohybuje-li se spodní kryt volně a nedochází-li k jeho okamžitému zavírání, pilu nepoužívejte. Nikdy žádným způsobem nepřipevňujte spodní kryt v otevřené poloze.** Dojde-li k náhodnému pádu pily, může dojít k ohybu spodního krytu. Zvedněte spodní kryt opatřený zasunovací rukojetí a ujistěte se, zda se volně pohybuje a zda se v žádném směru nedotýká pilového kotouče nebo jiné části pily.
- b. **Zkontrolujte funkci pružiny spodního krytu. Nepracuje-li kryt nebo pružina správně, musí být před zahájením práce provedena jejich oprava.** Pohyb spodního krytu může být pomalý v důsledku poškozených částí, usazenin a nahromaděných nečistot.
- c. **Spodní kryt může být ručně zasunut pouze u speciálních řezů jako jsou „zářezy“ a „složené řezy“.** Zvedněte spodní kryt pomocí rukojeti a jakmile pilový kotouč vnikne do materiálu, musíte spodní kryt uvolnit. U všech ostatních typů řezů by měl spodní kryt pracovat automaticky.
- d. **Vždy dbejte na to, aby před položením pily na pracovní stůl nebo na podlahu spodní kryt zakryl pilový kotouč.** Nechráněný a dobíhající pilový kotouč způsobí pohyb pily a přeřízne materiály nacházející se v dráze jeho pohybu. Pamatujte na to, že po uvolnění hlavního spínače chvíli trvá, než dojde k úplnému zastavení pilového kotouče.

Další bezpečnostní pokyny pro pily opatřené štípacími klíny

- a. **Používejte štípací klíny vhodné pro používané pilové kotouče.** Správný štípací klín odtrhu musí být silnější než tloušťka pilového kotouče, ale tenčí než nastavení jeho zubů.

- b. **Nastavte štípací klín podle pokynů uvedených v tomto návodu.** Nesprávné vzdálenosti, umístění a srovnání může způsobit neschopnost zabránění zpětnému rázu.
- c. **Štípací klín používejte vždy, mimo provádění zářezů.** Po provádění zářezů musí být štípací klín znovu namontován. při provádění zářezů by štípací klín překážel a mohl by způsobit zpětný ráz.
- d. **Má-li štípací klín pracovat správně, musí být v kontaktu s obrobkem.** Při provádění krátkých řezů štípací klín vzniku zpětného rázu nezabraňuje.
- e. **Je-li štípací klín ohnutý, pilu nepoužívejte.** I malé vychýlení může způsobit pomalejší zavírání krytu.

Zbytková rizika

Při práci s pilami vznikají následující rizika:

- Zranění způsobená kontaktem s rotujícími díly.

I přes dodržování příslušných bezpečnostních opatření a používání ochranných pomůcek nelze zcela vyloučit určitá zbytková rizika. Tato rizika jsou:

- Poškození sluchu.
- Riziko nehod způsobených nekrytými částmi rotujícího pilového kotouče.
- Riziko způsobení zranění při výměně pilového kotouče.
- Riziko přivření prstů při otevírání krytů.
- Zdravotní rizika způsobená vdechováním prachu vznikajícího při řezání dřeva, zejména dubového, bukového a materiálu MDF.

Pilové kotouče

- ◆ Nepoužívejte pilové kotouče, jejichž průměr je menší nebo větší než doporučený průměr. Správné rozměry pilového kotouče jsou uvedeny v technických údajích. Používejte pouze pilové kotouče, které jsou specifikovány v tomto návodu a které splňují požadavky normy EN 847-1.
- ◆ **Varování!** Nikdy nepoužívejte brusné kotouče.

Bezpečnost ostatních

- ◆ **Varování!** Při práci s tímto nářadím používejte ochranu sluchu.
- ◆ Toto nářadí není určeno pro použití osobami (včetně dětí) se sníženými fyzickými, smyslovými nebo duševními schopnostmi, nebo s nedostatkem zkušeností a znalostí, pokud těmto osobám nebyl stanoven dohled, nebo pokud jim nebyly poskytnuty instrukce týkající

se použití výrobku osobou odpovědnou za jejich bezpečnost.

- ◆ Děti by měly být pod dozorem, aby si s nářadím nehrály.

Vibrace

Deklarovaná úroveň vibrací uvedená v technických údajích a v prohlášení o shodě byla měřena v souladu se standardní zkušební metodou předepsanou normou EN 60745 a může být použita pro srovnání jednotlivých nářadí mezi sebou. Deklarovaná úroveň vibrací může být také použita k předběžnému stanovení doby práce s tímto výrobkem.

Varování! Úroveň vibrací při aktuálním použití elektrického nářadí se může od deklarované úrovně vibrací lišit v závislosti na způsobu použití nářadí. Úroveň vibrací může být vzhledem k uvedené hodnotě vyšší.

Při stanovení doby vystavení se působení vibrací, z důvodu určení bezpečnostních opatření podle normy 2002/44/EC k ochraně osob pravidelně používajících elektrické nářadí v zaměstnání, by měl předběžný odhad působení vibrací brát na zřetel aktuální podmínky použití nářadí s přihlédnutím na všechny části pracovního cyklu, jako jsou doby, při které je nářadí vypnuto a kdy běží naprázdno.

Štítky na nářadí

Na nářadí jsou následující piktogramy:



Varování! Z důvodu snížení rizika způsobení úrazu si uživatel musí přečíst tento návod k obsluze.

Elektrická bezpečnost



Toto nářadí je opatřeno dvojitou izolací. Proto není nutné použití uzemňovacího vodiče. Vždy zkontrolujte, zda napětí v síti odpovídá napětí na výkonovém štítku.

- ◆ Dojde-li k poškození napájecího kabelu, musí být vyměněn výrobcem nebo v autorizovaném servisu Black & Decker, aby bylo zabráněno způsobení úrazu elektrickým proudem.

Popis

1. Hlavní spínač
2. Blokovací tlačítko
3. Hlavní rukojeť
4. Přídavná rukojeť
5. Měřítka pokosu
6. Upínací šroub nastavení pokosu

7. Vodítko podélných řezů
8. Patka pily
9. Kotouč
10. Ochranný kryt pilového kotouče
11. Štípací klín
12. Měřítka hloubky řezu
13. Upínací šroub nastavení hloubky řezu
14. Klíč
15. Výstup pro odvod pilin

Sestavení

Varování! Před provedením následujících operací se ujistěte, zda je nářadí vypnuto a odpojeno od zdroje napětí a zda se zastavil pilový kotouč.

Sejmutí a nasazení pilového kotouče (obr. A)

Upozornění! Tato metoda výměny pilového kotouče je používána pouze u pilových kotoučů, které jsou opatřeny otvorem (16) pro zajištění pilového kotouče během montáže a demontáže.

Sejmutí

- ◆ Do otvoru (16) vložte šroubovák, abyste zabránili otáčení pilového kotouče.
- ◆ Uvolněte a sejměte přídržný šroub pilového kotouče (17). Použijte dodaný klíč (14) a otáčejte šroubem proti směru pohybu hodinových ručiček.
- ◆ Sejměte vnější podložku (18).
- ◆ Sejměte pilový kotouč (9).

Přípevnění

- ◆ Pilový kotouč nasuňte na vnitřní podložku (19) a ujistěte se, zda šipka na kotouči ukazuje ve stejném směru jako šipka na nářadí.
- ◆ Nasadte vnější podložku (18) na hřídel tak, aby její vyvýšená část směřovala od pilového kotouče.
- ◆ Do otvoru zašroubujte přídržný šroub pilového kotouče (17).
- ◆ Do otvoru (16) vložte šroubovák, abyste zabránili otáčení pilového kotouče.
- ◆ Pomocí dodaného klíče (14) dotáhněte řádně přídržný šroub pilového kotouče otáčením ve směru pohybu hodinových ručiček.
- ◆ Nastavte štípací klín podle níže uvedeného postupu.

Varování! Při každé montáži nového pilového kotouče by měla být provedena kontrola krytu pilového kotouče, abyste se ujistili, zda se může volně pohybovat.

Sejmutí a upnutí pilového kotouče (obr. B)

Upozornění! Tato metoda je používána pro výměnu pilových kotoučů, které nejsou opatřeny otvorem

(16) pro zajištění pilového kotouče během montáže a demontáže.

Sejmutí

- ◆ Nastavte hloubku řezu na 10 mm.
- ◆ Položte na podlahu dřevěné prkno. Potom položte pilu na náběhovou hranu prkna (jak je znázorněno na obr. B), abyste zabránili otáčení pilového kotouče.
- ◆ Vyvíjejte stálý tlak na pilu a otáčením proti směru pohybu hodinových ručiček pomocí dodaného klíče (14) povolte a odstraňte upínací šroub pilového kotouče (17).
- ◆ Sejměte vnější podložku (18).
- ◆ Sejměte pilový kotouč (9).

Upnutí

- ◆ Nasadte pilový kotouč na vnitřní podložku (19) a ujistěte se, zda je šipka na pilovém kotouči ve stejném směru jako šipka vyznačená na nářadí.
- ◆ Nasadte na hřídel vnější podložku (18) tak, aby její vyvýšená část směřovala od pilového kotouče.
- ◆ Zasuňte do otvoru upínací šroub pilového kotouče (17) a utáhněte jej rukou.
- ◆ Položte na podlahu dřevěné prkno. Potom položte pilu na náběhovou hranu prkna (jak je znázorněno na obr. B), abyste zabránili otáčení pilového kotouče.
- ◆ Vyvíjejte stálý tlak na pilu a otáčením ve směru pohybu hodinových ručiček pomocí dodaného klíče (14) řádně utáhněte upínací šroub pilového kotouče (17).
- ◆ Nastavte rozpínací klín podle níže uvedeného postupu.

Varování! Při každé montáži nového pilového kotouče by měla být provedena kontrola krytu pilového kotouče, abyste se ujistili, zda se může volně pohybovat.

Nastavení štípacího klínu (obr. C)

Štípací klín chrání pilový kotouč před zablokováním během podélných řezů. Po výměně pilového kotouče musí být štípací klín znovu seřízen.

- ◆ Držte štípací klín ve stejné poloze a povolte šroub (20).
- ◆ Nastavte štípací klín (11) do polohy uvedené na obrázku.

Vzdálenost mezi ozubením a štípacím klínem odtrhu by měla být 2 - 3 mm.

Výška mezi ozubením a spodní částí štípacího klínu by měla být 2 - 3 mm.

- ◆ Dotáhněte šroub.

Nasazení a sejmutí vodítka podélných řezů (obr. D)

Vodítko podélných řezů se používá k provádění přímých řezů rovnoběžných s okrajem obrobku.

Připevnění

- ◆ Povolte pojistný šroub (21).
- ◆ Protáhněte vodítko podélných řezů (7) otvory (22).
- ◆ Posuňte vodítko podélných řezů do požadované polohy.
- ◆ Dotáhněte pojistný šroub.

Sejmutí

- ◆ Povolte pojistný šroub (21).
- ◆ Vytáhněte vodítko podélných řezů z náradí.

Použití

Toto náradí je možné používat v pravé i v levé ruce.

Nastavení hloubky řezu (obr. E)

Hloubku řezu by měla být nastavena podle síly řezaného obrobku. Měla by přesáhnout sílu obrobku přibližně o 2 mm.

- ◆ Povolte upínací šroub (13), aby došlo k uvolnění patky pily.
- ◆ Přesuňte patku pily (8) do požadované polohy. Odpovídající hloubka řezu může být odečtena na měřítku (12).
- ◆ Přitáhněte upínací šroub tak, aby byla patka pily zajištěna v nastavené poloze.

Nastavení úhlu pokosu (obr. F)

U tohoto náradí může být nastaven úhel pokosu od 0° až do 45°.

- ◆ Povolte upínací šroub (6), aby došlo k uvolnění patky pily.
- ◆ Přesuňte patku pily (8) do požadované polohy. Odpovídající úhel pokosu může být odečten na měřítku (5).
- ◆ Dotáhněte upínací šroub tak, aby byla patka pily zajištěna v nastavené poloze.

Zapnutí a vypnutí

- ◆ Chcete-li náradí zapnout, přesuňte blokovací tlačítko (2) do odjištěné polohy a stiskněte hlavní spínač (1).
- ◆ Chcete-li náradí vypnout, uvolněte hlavní spínač.

Řezání

- ◆ Vždy držte náradí oběma rukama.
- ◆ Před zahájením řezu nechejte pilový kotouč několik minut protáčet naprázdno.
- ◆ Při provádění řezu tlačte na náradí jen lehce.
- ◆ Pracujte s patkou pily přitisknutou k obrobku.

Odsávání prachu (obr. G)

Chcete-li k náradí připojit vysavač nebo odsávací zařízení, musíte použít adaptér. Tento adaptér můžete zakoupit u nejbližšího autorizovaného prodejce Black & Decker.

- ◆ Nasadte adaptér (23) na otvor pro odvod pilin (15).
- ◆ Připojte k adaptéru hubici vysavače.

Rady k optimálnímu použití

- ◆ Štěpení okrajů řezů na horní části obrobku nelze zabránit. Proto provádějte řez na straně obrobku, kde je to přijatelné.
- ◆ Pro minimalizaci štěpení okrajů řezu, například při řezání laminátů, upněte k horní straně obrobku kus překližky.

Příslušenství

Výkon vašeho náradí závisí také na používaném příslušenství. Příslušenství Black & Decker a Piranha dosahuje vysokých kvalit a zvyšuje výkon Vašeho náradí. Použitím tohoto příslušenství u vašeho náradí dosáhnete toho nejlepšího výsledku.

Údržba

Vaše zařízení/náradí s napájecím kabelem/baterií bylo zkonstruováno tak, aby pracovalo po dlouhou dobu s minimálními nároky na údržbu. Dlouhodobá bezproblémová funkce náradí závisí na jeho řádné údržbě a pravidelném čištění.

Varování! Před zahájením jakékoli údržby elektrického náradí napájeného baterií/napájecím kabelem:

- ◆ Vypněte náradí a odpojte napájecí kabel od sítě.
- ◆ Nebo vypněte náradí a vyjměte z něj baterii, lze-li tuto baterii z náradí vyjmout.
- ◆ Nebo nelze-li baterii z náradí vyjmout, nechejte náradí v chodu, dokud nedojde k úplnému vybití baterie a potom náradí vypněte.
- ◆ Před čištěním odpojte nabíječku od sítě. Vaše nabíječka nevyžaduje žádnou údržbu mimo pravidelné čištění.
- ◆ Větrací otvory náradí a nabíječky pravidelně čistěte měkkým kartáčem nebo suchým hadříkem.
- ◆ Pomocí vlhkého hadříku pravidelně čistěte kryt motoru. Nepoužívejte žádné brusné čisticí prostředky nebo rozpouštědla.
- ◆ Pravidelně otvírejte skříčidlo a poklepáním odstraňte prach z vnitřní části náradí (je-li náradí opatřeno skříčidlem).

Výměna síťové zástrčky (pouze Velká Británie a Irsko)

Budete-li instalovat novou zástrčku napájecího kabelu:

- ◆ Bezpečně odstraňte starou zástrčku.
- ◆ Připojte hnědý vodič k fázové svorce nové zástrčky.
- ◆ Modrý vodič připojte k nulové svorce.

Varování! K uzemňovací svorce nesmí být připojen žádný vodič. Dodržujte montážní pokyny dodávané s kvalitními zástrčkami. Doporučená pojistka: 13 A.

Ochrana životního prostředí



Tříděný odpad. Tento výrobek nesmí být vyhozen do běžného domácího odpadu.

Jednoho dne zjistíte, že výrobek Black & Decker musíte vyměnit nebo jej nebudete dále používat. V tomto případě myslíte na ochranu životního prostředí a nevyhazujte jej do domácího odpadu. Zlikvidujte tento výrobek v tříděném odpadu.



Tříděný odpad umožňuje recyklaci a opětovné využití použitých výrobků a obalových materiálů. Opětovné použití recyklovaných materiálů pomáhá chránit životní prostředí před znečištěním a snižuje spotřebu surovin.

Místní sběrný odpadů, recyklační stanice nebo prodejny vám poskytnou informace o správné likvidaci elektro odpadů z domácnosti.

Společnost Black & Decker poskytuje službu sběru a recyklace výrobků Black & Decker po skončení jejich provozní životnosti. Chcete-li získat výhody této služby, odevzdejte prosím váš výrobek kterémukoli autorizovanému zástupci servisu Black & Decker, který nařadí odebere a zajistí jeho recyklaci.

Místo nejbližšího autorizovaného servisu Black & Decker se dozvíte na příslušné adrese uvedené na zadní straně tohoto návodu. Seznam autorizovaných servisů Black & Decker a podrobnosti o poprodejním servisu naleznete také na internetové adrese: **www.2helpU.com**

Technické údaje

		CD601	CD602
		TYP 2	TYP 2
Napájecí napětí	V	230	230
Příkon	W	1100	1150
Otáčky naprázdno	min ⁻¹	5000	5000
Max. hloubka řezu	mm	55	55
Průměr pilového kotouče	mm	170	170
Průměr upínacího otvoru	mm	16	16
Šířka ostří	mm	2,6	2,6
Hmotnost	kg	4,7	4,7

Hladina akustického tlaku podle normy EN 60745:

Akustický tlak (L_{pA}) 101 dB(A), odchylka (K) 3 dB(A)
Akustický výkon (L_{WA}) 112 dB(A), odchylka (K) 3 dB(A)

Celková úroveň vibrací (prostorový vektorový součet) podle normy EN 60745:

Hodnota vibrací (a_n) 4,46 m/s², odchylka (K) 1,5 m/s²

Prohlášení o shodě

NAŘÍZENÍ PRO STROJNÍ ZAŘÍZENÍ



CD601/CD602

Společnost Black & Decker prohlašuje, že produkty popsané v technických údajích splňují požadavky následujících norem:
2006/42/EC, EN 60745-1, EN 60745-2-5

Chcete-li získat další informace, kontaktujte prosím společnost Black & Decker na následující adrese nebo na adresách, které jsou uvedeny na konci tohoto návodu.

Níže podepsaná osoba je odpovědná za sestavení technických údajů a provádí toto prohlášení v zastoupení společnosti Black & Decker.

Kevin Hewitt

Viceprezident pro spotřebitelskou techniku
Black & Decker Europe, 210 Bath Road, Slough,
Berkshire, SL1 3YD
United Kingdom
15/07/2010

Záruka

Společnost Black & Decker důvěřuje kvalitě svého vlastního nářadí a poskytuje kupujícímu mimořádnou záruku. Tato záruka je nadstandardní a v žádném případě nepoškozuje Vaše zákonná práva. Tato záruka platí ve všech členských státech EU a Evropské zóny volného obchodu EFTA.

Objeví-li se na výrobku Black & Decker, v průběhu 24 měsíců od zakoupení, jakékoli materiálové či výrobní vady, garantujeme ve snaze o minimalizování vašich starostí bezplatnou výměnu vadných

dílů, opravu nebo výměnu celého výrobku za níže uvedených podmínek:

- ◆ Výrobek nebyl používán pro obchodní nebo profesionální účely a nedocházelo-li k jeho pronájmu.
- ◆ Výrobek nebyl vystaven nesprávnému použití a nebyla zanedbána jeho předepsaná údržba.
- ◆ Výrobek nebyl poškozen cizím zaviněním.
- ◆ Nebyly prováděny opravy výrobku jinými osobami než pracovníky značkového servisu Black & Decker.

Při uplatňování reklamace je nutno prodejci nebo servisnímu středisku předložit doklad o nákupu výrobku. Místo vaší nejbližší autorizované servisní pobočky Black & Decker se dozvíte na příslušné adrese uvedené na zadní straně této příručky. Seznam autorizovaných servisů Black & Decker a podrobnosti o poprodejním servisu naleznete také na internetové adrese: **www.2helpU.com**

Navštivte naši internetovou adresu **www.blackanddecker.co.uk** a zaregistrujte si Váš výrobek Black & Decker. Budete tak mít neustále přehled o nových výrobcích a speciálních nabídkách. Další informace o značce Black & Decker a o našem výrobním programu získáte na internetové adrese **www.blackanddecker.co.uk**

Felhasználás

Szívvel gratulálunk új Black & Decker Kézi Körfűrészéhez. Ezt a készüléket faanyagok vágására terveztük. A fűrész iparszerű felhasználásra nem alkalmas.

Biztonsági előírások

Elektromos kéziszerszámokra vonatkozó általános biztonsági figyelmeztetések



Figyelmeztetés! Olvassa el az összes biztonsági figyelmeztetést és utasítást. A lent felsorolt figyelmeztetések, utasítások figyelmen kívül hagyása elektromos áramütés veszélyével járhat vagy tüzet és/vagy súlyos balesetet okozhat.

Őrizze meg az összes biztonsági figyelmeztetést és utasítást.

Az "elektromos szerszám" kifejezés a figyelmeztetéseken az Ön által használt vezeték vagy akkumulátorral üzemeltetett (vezeték nélküli) elektromos szerszámot jelenti.

1. A munkaterület biztonsága

- A munkaterület tiszta és világos legyen.**
- Soha ne használja az elektromos szerszámot robbanásveszélyes légkörben, például gyúlékony folyadékok, gázok vagy porok jelenlétében.** Az elektromos szerszámokban szikra keletkezik, ami meggyújthatja a port vagy a gőzöket.
- Az elektromos szerszám használata közben ne engedje közel a gyerekeket vagy báméskodókat.** Ha elterelik figyelmét, elveszítheti az ellenőrzést a szerszám fölött.

2. Elektromos biztonság

- Az elektromos kéziszerszám dugasa meg kell, hogy feleljen a hálózati csatlakozóaljzat kialakításának.** Soha, semmilyen módon ne változtassa meg a csatlakozódugaszt. **A földelt kéziszerszámokkal soha ne használjon adapter dugaszt.** Az eredeti (módosítatlan) csatlakozó és a megfelelő fali dugaljak használata csökkenti az áramütés kockázatát.
- Ügyeljen, hogy teste ne érintkezzék földelt felületekkel, például csővezetékekkel, radiátorokkal, hűtőszekrényel.** Ha teste földelt felülettel érintkezik, az növeli az elektromos áramütés veszélyét.

- Soha ne engedje, hogy az elektromos szerszámok megázzanak, ill. azokat nedvesség érje.**

Ha víz kerül az elektromos szerszámra, az növeli az elektromos áramütés veszélyét.

- Óvatosan kezelje a tápkábelt. Az elektromos kéziszerszámot soha ne vigye és ne húzza a kábelnél fogva, és a dugaszt ne a kábelnél fogva húzza ki az aljzathoz. Óvja a kábelt a hőtől, olajtól, éles szegletektől, illetve mozgó alkatrészekről.** A sérült vagy összegabalyodott kábel növeli az elektromos áramütés veszélyét.
- Ha a szabadban használja az elektromos szerszámot, kültéri használatra alkalmas hosszabbítókábelt vegyen igénybe.** A kültéri használatra alkalmas hosszabbítókábellel csökkentheti az elektromos áramütés veszélyét.
- Ha elkerülhetetlen az elektromos szerszám nedves helyen való használata, használjon Fi-relével védett áramforrást.** A Fi-relé használata csökkenti az elektromos áramütés veszélyét.

3. Személyes biztonság

- Soha ne veszítse el éberségét, figyeljen oda arra, amit csinál, és használja a józan eszét, ha elektromos szerszámmal dolgozik. Ne dolgozzon elektromos szerszámmal, ha fáradt, kábítószert vagy alkoholt fogyasztott, illetve gyógyszer hatása alatt áll.** Elektromos szerszám használata közben egy pillanatnyi figyelmetlenség is súlyos személyi sérüléshez vezethet.
- Használjon egyéni védőfelszerelést. Mindig viseljen védőszemüveget.** A megfelelő körülmények között használt védőfelszerelés, például porálarc, biztonsági csúszásmentes cipő, védősisak vagy fülvédő csökkenti a személyi sérülés veszélyét.
- Előzze meg a szerszám nem szándékos beindítását. Ellenőrizze, hogy a szerszám kapcsolója a ki állásban van-e, mielőtt a hálózatra vagy akkumulátorra kapcsolja, illetve kézbe veszi a szerszámot.** Ha a szerszámot úgy cipeli, hogy az ujjja a kapcsolón van, ill. olyan szerszámot helyez áram alá, amely be van kapcsolva, balesetet okoz(hat).
- Távolítsa el a beállításhoz használt kulcsot vagy fogót, mielőtt bekapcsolja az elektromos szerszámot.** A forgó alkatrészeire illesztve maradt fogó vagy kulcs személyi sérülést okozhat.

- e. **Ne végezzen olyan mozdulatokat, amelyek kibillenthetik egyensúlyából. Mindig szilárd felületen álljon, és ügyeljen, ne veszítse el egyensúlyát.** Így jobban tudja uralni a szerszámot váratlan helyzetekben.
- f. **Öltözzön megfelelően. Ne viseljen laza ruházatot vagy ékszert. Haját, ruháját és kesztyűjét tartsa távol a mozgó alkatrészekről.** A laza öltözk, az ékszerek vagy a hosszú haj beleakadhat a mozgó alkatrészekbe.
- g. **Ha az adott eszközhöz porszívó vagy porgyűjtő is tartozik, akkor győződjön meg arról, hogy ezeket megfelelően csatlakoztatva, ill. ezek megfelelően működnek.** A por összegyűjtésével vagy elszívásával elkerülhetők a porral összefüggő veszélyek.

4. Elektromos szerszámok használata és karbantartása

- a. **Ne erőltesse túl az elektromos kéziszerszámot. A célnak megfelelő elektromos szerszámot alkalmazza.** A megfelelő elektromos szerszámmal jobban és biztonságosabban dolgozhat, mert azt kifejezetten az adott feladatra tervezték.
- b. **Ne használja az elektromos szerszámot, ha a kapcsolóval nem lehet ki- és bekapcsolni.** A hibás kapcsolóval rendelkező elektromos szerszámok használata veszélyes, az ilyen készüléket meg kell javíttatni.
- c. **Csatlakoztassa le a hálózatról vagy az akkumulátorról a szerszámot, mielőtt beállítást végezne, tartozékot cserélne, vagy eltárolná azt.** Ezekkel a megelőző biztonsági intézkedésekkel csökkentheti a szerszám véletlen beindításának veszélyét.
- d. **A nem használt elektromos szerszámot tárolja olyan helyen, ahol a gyerekek nem érhetik el; és ne engedje, hogy azt olyan személyek használják, akik a szerszám használatát és ezen utasításokat nem ismerik.** Gyakorlatlan felhasználó kezében az elektromos szerszám veszélyt jelent.
- e. **Fordítson gondot az elektromos szerszám karbantartására. Ellenőrizze a mozgó alkatrészek csatlakozását és/vagy kötését, ellenőrizze az alkatrészeket törésre és más olyan sérülésekre, amelyek befolyásolhatják az elektromos eszköz működését. Ha sérült a szerszám, használat előtt javíttassa meg.** A nem megfelelően karbantartott elektromos szerszámok sok balesetet okoznak.
- f. **A vágószerszámok mindig tiszták és élesek legyenek.** A megfelelően karbantartott éles vágószerszám kisebb valószínűséggel szorul be, és jobban kontrollálható.

- g. **Az elektromos szerszámot, tartozékokat és szerszám befogókat a használati utasításnak megfelelően használja, a munkakörülmények és az elvégzendő feladat figyelembe vételével.** Az elektromos szerszám rendeltetésétől eltérő használata veszélyhelyzetet teremthet.

5. Szerviz

- a. **A szerszámot képzett szakemberrel szervizeltesse, és csak eredeti cserealkatrészeket használjon fel.** Ezzel biztosíthatja az elektromos kéziszerszám folyamatos biztonságos működését.

További biztonsági figyelmeztetések az elektromos szerszám használatához



Figyelmeztetés! További biztonsági figyelmeztetések fűrészekhez

- a. **Soha ne tegye egyik kezét sem a munkaterület és a fűrészlap közelébe. Tartsa a másik kezét a pótfogantyún, vagy a motorházon.** Ha mindkét kézzel tartja a fűrész, nem vághatja el egyiket sem a fűrészlap.
- b. **Soha ne nyúljon a munkadarab alá.** A védőburkolat nem védi meg a fűrészlaptól a munkadarab alatt.
- c. **Állítsa be a vágásmélységet a munkadarab vastagságának megfelelően.** Kevesebb, mint egy teljes fűrészlap fog legyen csak látható a munkadarab alatt.
- d. **Soha ne tartsa a munkadarabot kezeivel, vagy tegye lábaira. Biztosítsa, illetve fogassa le egy stabil felületre.** Fontos, hogy mindig megfelelően támassza meg a munkadarabot, minimalizálva a megközelítést, a fűrészlap megszorulását, vagy a munkavégzés alatt a készülék feletti irányítás elvesztését
- e. **A készüléket mindig a szigetelt markolati felületen tartsa, ha olyan munkát végez, ahol rejtett, vagy a saját vezetékével találkozhat a fűrész.** Az „élő”, elektromos áram alatt lévő vezeték elektromossá teheti a szerszám csupasz fémfelületeit is, és a kezelő áramütést szenvedhet.
- f. **Hasításnál, mindig használjon vezetőt, vagy párhuzamvezetőt.** Ez javítja a vágás pontosságát és csökkenti a fűrészlap megakadásának lehetőségét.
- g. **Mindig megfelelő méretű és formájú (gyémánt alakú vagy lekerekített) felfogó furatú**

fűrészlapot használjon. Azok a fűrészlapok, melyek nem kompatibilisek a fűrész tengely szerkezetével, excentrikusan fognak futni, és ez az irányítás elvesztéséhez vezethet.

- h. Soha ne használjon sérült, vagy nem megfelelő fűrészlap alátétet vagy csavart.** Az alátét és a csavar speciálisan erre a fűrészgépre vannak kialakítva, optimális teljesítményt és biztonságos működtetést garantálnak.

További biztonságtechnikai előírások fűrészekhez

A visszacsapás okai és a felhasználó védelme:

- ◆ a visszacsapás egy hirtelen reakció, melyet a beékelt, megugró vagy nem vonalban fekvő fűrészlap okoz; ilyenkor irányíthatatlanná válik a fűrész, kiugrik a munkadarabból a felhasználó irányába;
- ◆ ha a fűrészlap keményen beékelődik vagy megugrik a vágásvonal lezárásával, a fűrészlap megakad, és a motor reakciója vezet oda, hogy a készülék gyorsan visszaugrik a felhasználó irányába;
- ◆ ha a fűrészlap elkezd rázkódni, vagy nem vonalban futni vágás közben, a fűrészlap hátsó szélén lévő fogak belevájhatnak a fa felső felületébe, és a fűrészlap kiugrik a vágásvonalból és visszacsap a felhasználó irányába.

A visszacsapás a fűrész nem rendeltetésszerű használatából és/vagy a nem megfelelő működtetési folyamatból vagy körülményekből ered. Azonban elkerülhető az alábbi megfelelő óvintézkedések betartásával.

- a. Mindkét kezével erősen markolja a fogantyúkat, és úgy tartsa a készüléket, hogy ellenálljon a visszacsapás erőinek. Teste a fűrészlap egyik oldalán legyen, soha ne egyvonalban a fűrészlappal.** A visszacsapás a fűrész visszaugrását okozhatja, de ezeket az erőket a felhasználó kontrollálhatja, ha a megfelelő óvintézkedéseket betartja.
- b. Ha a fűrészlap megakad, vagy ha félbeszakítja a vágási folyamatot bármilyen okból, engedje el a kapcsolót és tartsa a fűrész mozdatlanul az anyagban addig, amíg a fűrészlap teljesen megáll. Soha nem próbálja kivenni az anyagból vagy visszahúzni a fűrész, miközben a fűrészlap mozgásban van, vagy ha visszacsapás keletkezik.** Vizsgálja meg a körülményeket és tegye meg a kiigazító lépéseket, hogy kiküszöbölje a fűrészlap megakadásának okát.
- c. Ha újraindítja a fűrész a munkadarabban,**

helyezze középre a fűrészlapot a vágásvonalban és ellenőrizze, hogy a fűrészlap fogai ne érjenek a munkadarabhoz. Ha a fűrészlap megakad, ez kiugraszthatja a fűrészlapot a munkadarabból vagy visszaüthet, ha a fűrész újraindítja.

- d. Nagy terjedelmű munkadarabokat feltétlen alá kell támasztani a fűrészlap megakadásának és a visszacsapás megakadályozásához.** A nagyméretű munkadarabok hajlamosak megereszkedni a saját súlyuk alatt. A munkadarabot mindkét oldalán alá kell támasztani, a vágásvonalhoz és a munkadarab széléhez közel.
- e. Soha ne használjon életlen vagy sérült fűrészlapot.** Az életlen vagy helytelenül beállított fűrészlap szűk vágásvonalat eredményez, így a feszültség növekedhet, a fűrészlap megakadhat, és ez visszacsapáshoz vezet.
- f. A vágásmélység és a vágásszög állító rögzítő gombokat mindig húzza szorosra és rögzítse a munka megkezdése előtt.** Ha a vágásmélység állító elmozdul munkavégzés közben, ez megakadást és visszacsapást eredményezhet.
- g. Legyen különösen figyelmes és óvatos „beszúró” vágások készítésénél, meglévő falba vagy más tárgyba.** A munkadarabból kiemelkedő fűrészlap olyan tárgyakba is belevájhat, amelyek miatt visszacsapás léphet fel.

Biztonsági figyelmeztetések külső vagy belső lengő védőburkolattal és előtolás-védővel ellátott körfűrészekhez

- a. Ellenőrizze az alsó védőburkolatot a megfelelő zárás tekintetében, mielőtt használja. Soha ne használja a készüléket, ha az alsó védőburkolat nem mozog szabadon és zár azonnal. Soha ne rögzítse vagy ékelje ki az alsó védőburkolatot nyitott pozícióban.** Ha a fűrész véletlenszerűen leesik, az alsó védőburkolat elgörbülhet. Emelje fel az alsó védőburkolatot a felhúzó fogantyúval és ellenőrizze, hogy szabadon fut-e, és nem ér, sem a fűrészlaphoz, sem más egységhez, minden szög vágásnál és vágásmélységnél sem.
- b. Ellenőrizze az alsó védőburkolat rugójának megfelelő működését. Ha a védőburkolat és a rugó nem működik megfelelően, használat előtt meg kell javíttatni.** Az alsó védőburkolat lassan működhet a sérült részek, gumyszerű lerakódás, vagy betömődött forgács miatt.
- c. Az alsó védőburkolat csak speciális vágásmódok esetén emelhető fel manuálisan,**

minta „beszúró” és az „összetett” vágásoknál. **Emelje fel az alsó védőburkolatot a felhúzó fogantyúval, és amint a fűrészlap belemélyed az anyagba, azonnal eressze vissza.** Minden más fűrészelési módnál, az alsó védőburkolat automatikusan működik.

- d. **Mindig figyeljen rá, hogy az alsó védőburkolat betakarja a fűrészlapot, mielőtt leteszi a fűrész a munkaasztalra vagy a padlóra.** Egy nem megfelelően védett, lendülettől kifutó fűrészlap azt eredményezi, hogy a készülék el fog indulni hátrafelé, átvágva mindent, ami az útjába kerül. Vegye figyelembe, hogy az üzemi kapcsoló elengedése után a fűrészlap még nem áll le, kell néhány másodperc, amíg a lendülete elfogy.

További biztonságtechnikai előírások hasítóékkal rendelkező fűrészekhez

- a. **Mindig az éppen használt fűrészlapnak megfelelő hasítóéket használja.** A hasítóékek vastagabbnak kell lennie, mint a fűrészlaptest vastagsága, de vékonyabbnak, mint a fűrészlap fogvastagsága.
- b. **A hasítóéket a kezelési utasítás szerint állítsa be.** A nem megfelelő hely kihagyása, elhelyezése és beállítása befolyásolhatja a visszacsapás védelemben ellátott funkcióját.
- c. **Mindig használja a hasítóéket, kivéve „beszúró” fűrészeléskor.** A hasítóéket a „beszúró” fűrészelés befejeztével vissza kell szerelni a készülékre. A hasítóék beszúró fűrészeléskor zavart okozhat, és visszacsapást eredményezhet ilyenkor.
- d. **A hasítóékek az anyagba kell süllyednie vágás közben.** A hasítóék rövid vágások esetén nem tudja a visszacsapást megakadályozni.
- e. **Soha ne használja a készüléket, ha a hasítóék el van görbülve.** Még a legkisebb görbület is befolyásolhatja a védőburkolat bezárásának gyorsaságát.

Maradványkockázatok

A következő kockázatok együtt járnak a fűrészek használatával:

- A forgó részek megérintéséből fakadó sérülések
- A vonatkozó biztonsági előírások és védőeszközök alkalmazása mellett sem lehet elkerülni bizonyos maradványkockázatokat. Ezek a következők:
- Halláskárosodás
 - A forgó fűrészlap fedetlen része által okozott baleset
 - A fűrészlap cseréje közben bekövetkező sérülés

- Az ujjak becsípődése a védőeszközök nyitáskor
- A fa fűrészelése keletkező por belélegzése miatti egészségkárosodás (különösen tölgy, bükk, illetve MDF lapok fűrészelésekor)

Fűrészlapok

- ◆ Ne használjon az ajánlottnál nagyobb vagy kisebb átmérőjű fűrészlapot. A megfelelő fűrészlap méret kiválasztásához lásd a műszaki adatokat. Kizárólag az EN 847-1 szabványnak megfelelő, a kézikönyvben ismertetett fűrészlapot használjon.
- ◆ **Figyelmeztetés!** Soha ne használjon csiszolókorongot.

Mások biztonsága

- ◆ **Figyelmeztetés!** A szerszám használata közben viseljen fülvédőt.
- ◆ A készüléket nem korlátozott fizikai, érzékelési, mentális képességekkel rendelkező vagy gyakorlatlan személyek (beleértve a gyermekeket is) számára tervezték; kivétel ha számukra a szerszám használatához a biztonságukért felelős személy felügyeletet és tájékoztatást biztosít.
- ◆ A gyerekeket felügyelni kell, nehogy játszanak a szerszámmal.

Rezgés

A műszaki adatlapon és a megfelelőségi nyilatkozatban feltüntetett vibrációs kibocsátási értékeket az EN 60745 szabványnak megfelelően mérték, és alkalmasak különböző szerszámok értékeinek összehasonlítására. A feltüntetett vibrációs kibocsátási értékek szintén felhasználhatók előzetes expozíciós felmérésekhez.

Figyelmeztetés! A vibrációs kibocsátási értékek az elektromos szerszám tényleges használata közben a feltüntetett értéktől különbözhetnek a szerszám használatának függvényében. A vibrációs értékek az itt feltüntetett szint fölé is emelkedhetnek.

A 2002/44/EK által a géppel rendszeresen dolgozók számára megkövetelt szükséges biztonsági intézkedések meghatározásához végzett vibrációs expozíció felmérése során az expozíció felbecsülésénél tekintetbe kell venni a tényleges használati körülményeket, illetve, hogy a szerszámot milyen módon használják, beleértve, hogy figyelembe kell venni a munkafolyamat minden részét, pl. azokat az időszakokat, amikor a szerszám ki van kapcsolva vagy üresen fut a napi expozíciós idő mellett.

Címkék a szerszámon

A szerszámon a következő piktogramok láthatók:



Figyelemztetés! A sérülések elkerülése érdekében a felhasználó köteles elolvasni a kezelési útmutatót.

Elektromos biztonság



A szerszám kettős szigetelésű; ezért nincs szükség földelő vezetékre. Mindig ellenőrizze, hogy a szerszám adattábláján megadott feszültség egyezik-e a hálózati feszültséggel.

- ◆ Ha a tápkábel sérült, hivatalos Black & Decker szervizben kell kicserélni a veszélyek elkerülése végett.

Csomag Tartalma

1. Ki/be üzemi kapcsoló
2. Biztonsági kapcsolóretesz
3. Főfogantyú
4. Másodfogantyú
5. Dőlésszög skála
6. Rögzítő csavar a dőlésszög beállításához
7. Párhuzamvezető
8. Fűrészlap
9. Fűrészlap
10. Fűrészlap védőburkolat
11. Hasítóék
12. Vágási mélység skála
13. Rögzítő gomb a vágásmélység beállításához
14. Szerelőkulcs
15. Fűrészpor kivető nyílás

Összeszerelés

Figyelem! Mielőtt hozzáfog a következő műveletek bármelyikéhez, győződjön meg arról, hogy a hálózati csatlakozó le van választva az áramforrásról, a készülék ki van kapcsolva és a fűrészlap teljesen megállt. A használt fűrészlapok felmelegedhetnek.

A fűrészlap felhelyezése és eltávolítása (A ábra)

Vigyázat! A fűrészlapot csak akkor lehet ezzel a módszerrel cserélni, ha olyan fűrészlapot használ, amely egy furat (16) segítségével a fel- és leszereléskor rögzíthető.

Eltávolítás

- ◆ Illesszen egy csavarhúzót a furatba (16) a fűrészlap elmozdulásának megakadályozására.
- ◆ Oldja meg és távolítsa el a fűrészlap felfogó csavart (17) úgy, hogy a mellékelt szerelőkulccsal (14) az óramutató járásával ellentétes irányba forgatja.

- ◆ Vegye le a külső szorítóperemet (18).
- ◆ Távolítsa el a fűrészlapot (9).

Felhelyezés

- ◆ Helyezze a fűrészlapot a belső szorítóperemre (19), ellenőrizze, hogy a fűrészlapon található forgásirányt jelző nyíl, a készüléken lévő nyíllal megegyező irányba mutasson.
- ◆ Helyezze vissza a külső szorítóperemet (18) az orsóra, úgy, hogy a domború fele kifelé legyen.
- ◆ Helyezze vissza a biztosítócsavart (17) a furatba.
- ◆ Illesszen egy csavarhúzót a furatba (16) a fűrészlap elmozdulásának megakadályozására.
- ◆ Húzza feszesre a fűrészlap biztosítócsavart a mellékelt szerelőkulccsal (14) az óramutató járásával megegyező irányba.
- ◆ Állítsa be a hasítóéket, a következőkben leírtak szerint.

Figyelemztetés! Valahányszor új fűrészlapot szerel fel, ellenőrizni kell, hogy a fűrészlap védőburkolata, szabadon mozog-e.

A fűrészlap le- és felszerelése (B ábra)

Vigyázat! Ezzel a módszerrel cserélheti az olyan fűrészlapot, amelyen nincs a fűrészlap rögzítésére szolgáló furat (16).

Eltávolítás

- ◆ Állítsa be a fűrészben a vágási mélységet 10 mm-re.
- ◆ Helyezzen fatáblát a padlóra, majd helyezze a fűrész a fa vezető szélére a B ábra szerint, hogy megakadályozza a fűrészlap elfordulását.
- ◆ Gyakoroljon határozott nyomást a fűrészre, és lazítsa meg, majd vegye ki a lap rögzítő csavarját (17) az óramutató járásával ellentétesen húzva a mellékelt villáskulccsal (14).
- ◆ Vegye le a külső alátétet (18).
- ◆ Vegye ki a fűrészlapot (9).

Felszerelés

- ◆ Helyezze a lapot a belső alátétre (19), és ellenőrizze, hogy a lapon a nyíl ugyanabba az irányba mutat-e, mint a szerszámon.
- ◆ Tegye föl a külső alátétet (18) a hajtótengelyre úgy, hogy a kiemelkedő rész a fűrészlappal ellentétes oldalon legyen.
- ◆ Illessze a furatba a fűrészlap rögzítő csavart (17), és kézzel lazán húzza meg.
- ◆ Helyezzen fatáblát a padlóra, majd helyezze a fűrész a fa vezető szélére a B ábra szerint, hogy megakadályozza a fűrészlap elfordulását.

- ◆ Gyakoroljon határozott nyomást a fűrészre, és jól húzza meg a lap rögzítő csavarját (17) az óramutató járásával megegyező irányba a mellékelt villáskulccsal (14).
- ◆ A hasítókést a következők szerint állítsa be.

Figyelmeztetés! Valahányszor új fűrészlapot szerel fel, ellenőrizni kell, hogy a fűrészlap védőburkolata, szabadon mozog-e.

A hasítóék beállítása (C ábra)

A hasítóék meggátolja a fűrészlap beszorulását hosszvágásnál. Fűrészlap csere után a hasítóéket az új fűrészlaphoz be kell állítani.

- ◆ Oldja meg a hasítóék tartó csavarját (20).
- ◆ Igazítsa be a hasítóéket (11) az ábra szerint.

A fogkoszorú és a hasítóék közötti távolság 2-3 mm legyen.

A magasságkülönbség a fogkoszorú és a hasítóék alsó vége között 2-3 mm legyen.

- ◆ Húzza feszesre a csavarokat (20).

A párhuzamvezető fel- és leszerelése (D ábra)

A párhuzamvezetőt egyenes vágásokhoz használja, ha a munkadarab szélével párhuzamosan kíván vágni.

Felszerelés

- ◆ Oldja meg a rögzítő csavart (21).
- ◆ Vezesse a párhuzamvezetőt (7) a nyílásokon (22) keresztül.
- ◆ Csúsztassa a párhuzamvezetőt a kívánt pozícióba.
- ◆ Húzza szorosra a rögzítő csavart.

Leszerelés

- ◆ Oldja meg a rögzítő csavart (21).
- ◆ Húzza ki a párhuzamvezetőt a készülékből.

A készülék használata

Ez a készülék jobb és bal kézzel egyaránt üzemeltethető.

A vágási mélység beállítása (E ábra)

A vágási mélységet a munkadarab vastagságának megfelelően kell beállítani. A beállított értéknek 2 mm-el kell nagyobbak lennie, mint a munkadarab vastagsága.

- ◆ Oldja meg a rögzítő gombot (13) a fűrésztalp kioldásához.
- ◆ Állítsa be a fűrésztalpat (8) a kívánt pozícióba. Az aktuális vágásmélység leolvasható a skáláról (12).
- ◆ Húzza meg szorosra a gombot, a fűrésztalp kívánt pozícióba történő rögzítéséhez.

A dőlésszög beállítása (F ábra)

A kézi körfűrészek dőlésszögét 0-45° között lehet állítani.

- ◆ Oldja meg a rögzítő csavart (6) a fűrésztalp kioldásához.
- ◆ Állítsa be a fűrésztalpat (8) a kívánt pozícióba. Az aktuális vágésszög leolvasható a skáláról (5).
- ◆ Húzza meg szorosra a gombot, a fűrésztalp kívánt pozícióba történő rögzítéséhez.

Be- és kikapcsolás

- ◆ A készülék bekapcsolásához nyomja be a biztonsági kapcsolóreteszt (2) majd az üzemi kapcsolót (1).
- ◆ A készülék kikapcsolásához engedje el az üzemi kapcsolót (1).

Fűrészelés

- ◆ Mindig két kézzel tartsa a készüléket.
- ◆ Hagyja a fűrész szabadon futni egy pár másodpercig, mielőtt megkezd a vágási feladatot.
- ◆ Csak finoman nyomja a készüléket vágás közben. Hagyja a saját tempójában dolgozni, ne erőltesse túl.
- ◆ Tartsa a fűrésztalpat a munkadarabon a teljes munkavégzés folyamán.

Porelszívás (G ábra)

A készülékhez porszívó vagy porelszívó berendezés is csatlakoztatható, de ehhez szükség van egy porelszívó csonkra. Ezt bármelyik Black & Decker szakkereskedőnél megvásárolhatja.

- ◆ Nyomja a porelszívó csonkot (23) a fűrészpor kivető nyílásra (15).
- ◆ Csatlakoztassa a porszívó csövét az adapterhez.

Javaslatok az optimális munkavégzéshez

- ◆ A munkadarab felületén a vágásvonal mentén hasadás keletkezhet, ami sajnos nem kerülhető el, ezért vágjon a munkadarab hátoldalán.
- ◆ A hasadás minimalizálásához erősítsen a munkadarabhoz egy darab puhafát vagy préselt falapot, és ezen keresztül fűrészeljen.

Tartozékok

A készülék teljesítménye nagymértékben függ a felhasznált tartozékoktól. A Black & Decker és Piranha tartozékok magas minőség standardnak megfelelően vannak konstruálva és tervezésükkor a készülék teljesítményének optimalizálása volt a fő cél. A legjobb teljesítményt a fenti tartozékok felhasználásával érheti el.

Karbantartás

Az Ön hálózati/ akkumulátoros Black & Decker készülékét/szerszámát minimális karbantartás melletti hosszú távú felhasználásra terveztük. A folyamatos kielégítő működés feltétele a megfelelő gondozás és rendszeres tisztítás.

Figyelmeztetés! A hálózati/ akkumulátoros készülék karbantartása előtt:

- ◆ Kapcsolja ki és húzza ki a konnektorból a gépet.
- ◆ Vagy kapcsolja ki és vegye le az akkumulátort róla, ha az különálló akkumulátorral működik.
- ◆ Vagy hagyja teljesen lemerülni az akkumulátort, ha az a géppel egybe van építve, majd ezután kapcsolja ki.
- ◆ Az akkumulátortöltőt tisztítás előtt csatlakoztassa le a hálózatról. A töltő a rendszeres tisztításon kívül nem igényel más karbantartást.
- ◆ Puha kefével vagy száraz törölkendővel rendszeresen tisztítsa meg a gép/töltő szellőzőnyílásait.
- ◆ A motorburkolatot nedves ruhával tisztíthatja. Ne használjon súrolószert vagy oldószer alapú tisztítószereket.
- ◆ Rendszeresen nyissa ki a tokmányt (ha van rajta) és ütögesse meg, hogy a belsejéből kihulljon a por.

Tápcsatlakozó cseréje (csak az Egyesült Királyságban és Írországban)

Ha új tápcsatlakozó dugaszra van szükség:

- ◆ A régi dugaszt biztonságos módon selejtezze le.
- ◆ A barna vezetékét kösse az új csatlakozódugasz fázis csatlakozójához.
- ◆ A nulla csatlakozóhoz kösse a kék vezetékét.

Figyelmeztetés! A földelő csatlakozóhoz ne kössön vezetékét. Kövesse a minőségi csatlakozóaljzathoz mellékelt szerelési utasítást. Ajánlott biztosíték: 13 A.

A környezet védelme



Elkülönítve gyűjtendő. A termék nem kezelhető normál háztartási hulladékként.

Ha egy nap úgy találja, hogy az Ön Black & Decker szerszáma cserére szorul vagy a továbbiakban nincs rá szüksége, ne dobja ki a háztartási hulladékkal együtt. Gondoskodjék elkülönített kezeléséről.



A használt termékek és a csomagolás elkülönített kezelése lehetővé teszi az anyagok újrafelhasználását. Az újrafelhasznált anyagok alkalmazása segít megelőzni a környezetszennyezést és csökkenti a nyersanyagszükségletet.

A helyi rendelkezések intézkedhetnek az elektromos termékek háztartási hulladéktól elkülönített gyűjtéséről a helyi hulladékgyűjtő helyeken, illetve olyan értelemben, hogy a helyi kereskedőnek kell gondoskodnia a termék visszavételéről új termék vásárlásakor.

A Black & Decker lehetőséget biztosít a Black & Decker termékek gyűjtésére és újrafeldolgozására, ha azok elérték élettartamuk végét. E szolgáltatás igénybevételéhez kérjük, vigye vissza a terméket bármely szerződéses szervizképviselőnkbe, ahol vállalatunk képviselőjében gondoskodnak annak elkülönített összegyűjtéséről.

Az Önhöz legközelebb eső hivatalos márkaszervizt a kézikönyvben megadott helyi Black & Decker képviselő segítségével érheti el. Emellett a szerződött Black & Decker szervizek listája, illetve az eladásutáni szolgáltatásaink és azok elérhetőségének részletes ismertetése a következő internetes címen megtalálható: www.2helpU.com

Műszaki adatok

		CD601 2. TÍPUS	CD602 2. TÍPUS
Bemeneti feszültség	V _{AC}	230	230
Felvett teljesítmény	W	1,100	1,150
Üresjárat fordulat/szám	min ⁻¹	5,000	5,000
Maximális vágásmélység	mm	55	55
Fűrészlap átmérő	mm	170	170
Furatátmérő	mm	16	16
Fűrészfog vastagság	mm	2.6	2.6
Súly	kg	4.7	4.7

Hangnyomásszint az EN 60745 szabvány szerint:

Hangnyomás (L_{PA}) 101 dB(A), bizonytalanság (K) 3 dB(A)
Hangerő (L_{WA}) 112 dB(A), bizonytalanság (K) 3 dB(A)

Vibrációs összérték (triax vektorösszeg) az EN 60745 szerint:

A vibrációs kibocsátási érték: (a_r) 4,46 m/s², bizonytalanság: (K) 1,5 m/s²

CE megfelelési nyilatkozat

GÉPI BERENDEZÉSEKRE VONATKOZÓ IRÁNYELV



CD601/CD602

Black & Decker kinyilvánítja, hogy a "Műszaki adatok" részben ismertetett termékek megfelelnek a következő irányelveknek és szabványoknak: 2006/42/EC, EN 60745-1, EN 60745-2-5

Ha további információra lenne szüksége, lépjen kapcsolatba Black & Decker vállalattal a következőkben megadott elérhetőségeken, ill. lásd az elérhetőségeket a kézikönyv hátoldalán.

Az aláírás tulajdonosa a műszaki adatok összeállításáért felelős személy; nyilatkozatát a Black & Decker vállalat nevében adja.

Kevin Hewitt
Alelnök, Global Engineering
Black & Decker Europe, 210 Bath Road, Slough,
Berkshire, SL1 3YD
Egyesült Királyság
15/07/2010

A garancia érvényesítéséhez az eladónak vagy a hivatalos szerviznek be kell nyújtani a vásárláskor kapott számlát.

Ha igénybe veszi ezt a szolgáltatást, kérjük, juttassa el készülékét a legközelebbi Black & Decker szervizbe, melyekről a vevőszolgálaton érdeklődhet.

A szervizzel kapcsolatban a következő Internet oldalon is felvilágosítást kaphat: **www.2helpU.com**.

A következő meghibásodások esetén a garancia kizárt:

- Elhasználódott, illetve károsodott kések, és a hálózati kábel. Azok az alkatrészek, amelyek a normál használat során elkopnak.
- Azok a meghibásodások, amelyek a szakszerűtlen kezeléssel eredtek.
- Azok a hibák, amelyek a kezelési útmutató be nem tartásából eredtek.

Kizárólag csak eredeti Black & Decker tartozékok és alkatrészek alkalmazhatók. Ellenkező esetben teljesítménycsökkenés léphet fel, és a gép elveszti a garanciát. Ha garanciális igénye van, feltétlen mellékelje a jótállási jegyet és a vásárlási okmányokat (számlát).

Garancia határozat

A Black & Decker elhivatott a termékei minősége iránt, és kiterjesztett garanciát kínál. Ez a garanciahatározat csak kiegészíti és semmi esetre sem befolyásolja hátrányosan az Ön törvényes jogait. A garancia az Európai Unió tagállamai területén, valamint az Európai Szabadkereskedelmi Társulás (EFTA) területén érvényes.

Ha egy Black & Decker termék anyaghiba, a kivitelezés módja vagy a megfelelés hiánya miatt meghibásodik, az eladás dátumától számított 24 hónapig a Black & Decker garanciát vállal a hibás alkatrészek cseréjére, a normál kopásnak kitett termékek javítására, illetve az ilyen termékek kicserélésére, hogy ügyfeleinek a lehető legkisebb kellemetlenséget okozza az alábbi feltételekkel:

- A terméket nem használták kereskedelmi, ipari alkalmazásokhoz, és nem adták bérbe;
- A terméket rendeltetésszerűen és körültekintően használták;
- A termék nem idegen tárgyaktól, szennyeződéstől vagy külső behatástól sérült meg;
- A termék javítására nem tett kísérletet olyan személy, aki nem tartozik a hivatalos szerviz vagy a Black & Decker szervizszemélyzet tagjai közé.

BLACK & DECKER GARANCIÁLIS FELTÉTELEK

Gratulálunk Önnek ennek az értékes Black & Decker készülék megvásárlásához.

Azon termékeinkre, amelyet fogyasztói használat keretében háztartási, hobby célra vásárolnak **24 hónap jótállást biztosítunk**.

A termék iparszerű használatra nem alkalmas!

A jótállás a fogyasztó törvényből eredő jogait nem érinti.

1) **Black & Decker** kötelezettséget vállal arra, hogy a garanciális javításokat a **49/2003. (VII. 30.) GKM** és a **151/2003 (IX.22.) sz. Korm. rend.** szerint végzi.

- A fogyasztó jótállási igényét a jótállási jeggyel érvényesítheti, ezért azt őrizze meg.
- Vásárláskor az eladónak a garanciakártyán fel kell tüntetnie a vásárlás időpontját, a termék típusát vagy termék kódját, a kereskedés nevét, címét pedig a jótállási jegyre rá kell bélyegezni. Ennek alapján szerez jogosultságot a vevő a garancia időn belüli ingyenes garanciális javításra.
- Jótállási javítást csak érvényes jótállási jegy alapján végezhetnek a kijelölt szervizek.
- A jótállási jegyen történt bármilyen javítás, törlés vagy átirás, valótlán adatok bejegyzése, a jótállási jegy érvénytelenségét vonja maga után.
- Elveszett jótállási jegyet csak a vásárlási számla felmutatásával, térítés ellenében tudunk pótolni!
- A jótállási jegy szabálytalan kiállítása vagy a fogyasztó részére történő átadásának elmaradása nem érinti a jótállási kötelezettségvállalás érvényességét.

2) **Nem terjed ki a garancia:**

- Ha a hiba rendeltetésellenes használat, átalakítás, szakszerűtlen kezelés, helytelen tárolás, elemi kár vagy egyéb, vásárlás után keletkezett okból következett be. *(A rendeltetéssel ellentétes használat elkerülése céljából a termékhez magyar nyelvű vásárlói tájékoztatót mellékelünk és kérjük, hogy az abban foglaltakat saját érdekében tartsa be!)*
- Az olyan károsodásokra, amelyek a szerszámok iparszerű (professzionális), közületi, valamint kölcsönzési felhasználása miatt keletkeztek.
- Azon alkatrészekre, amelyeknél a meghibásodás garanciaidőn belül a helyes kezelés, karbantartás szerinti rendeltetészerű üzemeltetés mellett az alkatrészek természetes elhasználódása, kopása következtében állt elő. *(ezek a következők: megmunkáló szerszámok pl. vágószerszám, fűrészlanc, fűrészlap, gyalukés stb. továbbá: meghajtósíj, csapágy, szénkefe, csillagkerék kpl.)*
- A készülék túlterhelése miatt jelentkező hibákra, amelyek a hajtómű meghibásodásához, vagy egyéb ebből adódó károkhoz vezetnek.
- A termék nem hivatalos szervizben történt javításából eredő hibákra.
- Az olyan károsodásokra, amelyek nem eredeti Black & Decker kiegészítő készülékek és tartozékok használatából adódnak.

3) **A fogyasztó** a kijavítás iránti igényét a forgalmazónál, illetve a jótállási jegyen feltüntetett javítószolgálatnál érvényesítheti.

- Meghosszabbodik a jótállási idő a kijavítási idő azon részével, amely alatt a fogyasztó a terméket nem tudta rendeltetészerűen használni.
- A jótállási és szavatossági jogok érvényesíthetőségének határidején belül a terméknek vagy jelentősebb részének kicserélése (kijavítása) esetén a kicserélt (kijavított) termékre (termék részre) 12 hónap jótállást biztosítunk. Ezek a következők: motor illetve állórész, forgórész, elektronika.
- Ha a fogyasztási cikk a vásárlástól (üzembe helyezéstől) számított három munkanapon belül meghibásodik, a fogyasztó kérheti annak kicserélését feltéve, hogy a meghibásodás a rendeltetészerű használatot akadályozza. A Black & Decker Hungary Kft. a meghibásodás okának feltárása céljából fenntartja a jogot a hibás termék bevizsgálására. Amennyiben a reklamáció alkalmával a meghibásodás garanciális voltáról nem nyilatkozunk, úgy 72 órán belül kell értesítenünk a vásárlót a reklamáció intézésének módjáról.
Ha a csere nem lenne lehetséges, műszakilag hasonló készülék kerül felajánlásra, vagy visszafizethető a vételár.

Amennyiben a hiba keletkezése, ténye, jellege, (pl. rendeltetésellenes használat, stb.) miatt vita merül fel, a Fogyasztó szakvéleményt kérhet a Fogyasztóvédelmi Főfelügyelőségtől. A szakvélemény térítésköteles és nem kötelező érvényű a Forgalmazó számára.

4) **Garanciális javítás esetén** a szerviznek a garanciakártyán az alábbi adatokat kell feltüntetnie:

- a garanciális igény bejelentésének dátumát,
 - a hiba rövid leírását,
 - a javítás módját és időtartamát,
 - a készülék visszaadásának időpontját,
 - javítás időtartamával meg-hosszabbított új garanciaidőt.
- 5) **Arra törekszünk**, hogy **szervizhálózatunkon** keresztül kiváló javítószolgálatot, zökkenőmentes alkatrészellátást, és széles tartozépalettát biztosítsunk.
- 6) **A fogyasztót a Polgári Törvénykönyvről szóló 1959. évi IV. törvény 306-310. §-aiban**, valamint a **49/2003. (VII. 30.) GKM** rendeletben meghatározott jogok illetik meg.

Gyártó:

Black & Decker GmbH
D – 65510 Idstein/Ts
Black & Decker str. 40.

Importőr:

Black & Decker Hungary Kft.
1016 Budapest,
Galeotti u. 5.

Przeznaczenie

Opisywana pilarka tarczowa Black & Decker jest przeznaczona do cięcia drewna i produktów drzewnych. Urządzenie to nie nadaje się do zastosowań profesjonalnych.

Zasady bezpiecznej pracy

Ogólne wskazówki dotyczące bezpiecznego użytkowania elektronarzędzi



Uwaga! Należy zapoznać się ze wszystkimi ostrzeżeniami dotyczącymi bezpiecznej pracy oraz z instrukcją obsługi. Nie stosowanie się do ostrzeżeń i zaleceń zawartych w tej instrukcji obsługi, może być przyczyną porażenia prądem elektrycznym, pożaru i/lub poważnego zranienia.

Zachowaj wszystkie instrukcje i informacje dotyczące bezpiecznej pracy, aby móc korzystać z nich w przyszłości.

Pojęcie "elektonarzędzie" używane w niniejszej instrukcji, oznacza narzędzie zasilane z sieci elektrycznej (przewodem zasilającym) lub akumulatorami (bezp przewodowe).

1. **Bezpieczeństwo w miejscu pracy**
 - a. **Dbaj o czystość i dobre oświetlenie w miejscu pracy.** Bałagan i złe oświetlenie są częstą przyczyną wypadków.
 - b. **Nie używaj elektronarzędzi w strefach zagrożonych wybuchem, na przykład w pobliżu palnych cieczy, gazów lub pyłów.** Elektronarzędzia mogą wytworzyć iskry powodujące zapłon pyłów lub oparów.
 - c. **W czasie pracy elektronarzędziami nie pozwalaj na przebywanie w pobliżu dzieci i innych osób postronnych.** Brak skupienia może spowodować utratę kontroli nad narzędziem.
2. **Ochrona przed porażeniem prądem elektrycznym**
 - a. **Gniazdo musi być dostosowane do wtyczki elektronarzędzia. Nie wolno przerabiać wtyczek. Nie wolno używać przejściówek do zasilania uziemionych elektronarzędzi.** Używanie nieprzerobionych wtyczek i odpowiednich gniazd zmniejsza ryzyko porażenia prądem elektrycznym.
 - b. **Należy unikać bezpośredniej styczności z uziemionymi lub zerowanymi powierzchniami, takimi jak rurociągi, grzejniki, Kuchenki i lodówki.** Ryzyko porażenia prądem elektrycznym wzrasta, jeśli twoje ciało jest zerowane lub uziemione.
 - c. **Nie narażaj elektronarzędzi na działanie deszczu lub zwiększonej wilgotności.** Dostanie się wody do wnętrza elektronarzędzia zwiększa ryzyko porażenia prądem elektrycznym.
 - d. **Nie wolno ciągnąć za przewód zasilający. Nie wolno przenosić urządzenia ani wyciągać wtyczki z gniazda ciągnąc za przewód zasilający. Chroń przewód zasilający przed kontaktem z gorącymi elementami, olejami, ostrymi krawędziami i ruchomymi częściami.** Uszkodzenie lub zaplątanie przewodu zasilającego zwiększa ryzyko porażenia prądem elektrycznym.
 - e. **W czasie pracy na dworze, należy używać wyłącznie przedłużaczy przystosowanych do użycia poza pomieszczeniami zamkniętymi.** Korzystanie z przedłużaczy przystosowanych do użycia na dworze, zmniejsza ryzyko porażenia prądem.
 - f. **Jeśli zachodzi konieczność używania narzędzia w wilgotnym otoczeniu, należy używać źródła zasilania zabezpieczonego wyłącznikiem różnicowoprądowym.** Stosowanie wyłączników różnicowoprądowych zmniejsza ryzyko porażenia prądem elektrycznym.
3. **Środki ochrony osobistej**
 - a. **W czasie pracy elektronarzędziem zachowaj czujność, patrz uważnie i kieruj się zdrowym rozsądkiem. Nie używaj elektronarzędzi, jeżeli jesteś zmęczony, pod wpływem narkotyków, alkoholu czy leków.** Nawet chwila nieuwagi, w czasie pracy elektronarzędziem, może doprowadzić do poważnego uszkodzenia ciała.
 - b. **Używaj środków ochrony osobistej. Zawsze zakładaj okulary ochronne.** Używanie w zależności od potrzeb środków ochrony osobistej takich, jak maska przeciwpyłowa, buty wzmacniane z antypoślizgową podeszwą, kask oraz ochrona słuchu, pozwala zmniejszyć zagrożenia dla zdrowia.
 - c. **Zapobiegaj przypadkowemu włączeniu. Przed przyłączeniem do źródła zasilania i/lub włożeniem akumulatorów oraz przenoszeniem narzędzia, należy upewnić się, że wyłącznik znajduje się w pozycji "wyłączone".** Trzymanie palca na wyłączniku w czasie przenoszenia elektronarzędzi lub podłączania

do zasilania, gdy wyłącznik jest w pozycji "włączone", może łatwo stać się przyczyną wypadku.

- d. **Przed włączeniem elektronarzędzia, należy odłączyć wszystkie klucze i narzędzia do regulacji.** Pozostawienie klucza lub narzędzia do regulacji połączonego z częściami wirującymi elektronarzędzia może spowodować uszkodzenie ciała.
- e. **Nie wychylaj się. Nie wychylaj się i przyjmij stabilną pozycję, aby zawsze zachowywać równowagę.** Umożliwia to lepszą kontrolę nad narzędziem w nieoczekiwanych sytuacjach.
- f. **Założ odpowiedni strój. Nie noś luźnego ubrania lub biżuterii. Trzymaj włosy, ubranie i rękawice z dala od ruchomych elementów.** Luźne ubranie, biżuteria lub długie włosy mogą zostać pochwycone przez ruchome części.
- g. **Jeśli sprzęt jest przystosowany do przyłączenia urządzeń odprowadzających i zbierających pył, upewnij się, czy są one przyłączone i właściwie użytkowane.** Używanie takich urządzeń zmniejsza zagrożenia związane z obecnością pyłów.

4. Obsługa i konserwacja elektronarzędzi

- a. **Nie wolno przeciążać elektronarzędzi. Używaj elektronarzędzi odpowiednich do wykonywanej pracy.** Dzięki odpowiednim elektronarzędziom wykonasz pracę lepiej i w sposób bezpieczny, w tempie, do jakiego narzędzie zostało zaprojektowane.
- b. **Nie wolno używać elektronarzędzia z zepsutym wyłącznikiem, który nie pozwala na sprawne włączanie i wyłączanie.** Elektronarzędzie, którego pracy nie można kontrolować wyłącznikiem, jest niebezpieczne i musi zostać naprawione.
- c. **Przed przystąpieniem do regulacji, wymiany akcesoriów oraz przed schowaniem elektronarzędzia, należy odłączyć wtyczkę od źródła zasilania i/lub odłączyć akumulator od urządzenia.** Stosowanie takich środków zapobiegawczych zwiększa bezpieczeństwo i zmniejsza ryzyko przypadkowego uruchomienia elektronarzędzia.
- d. **Nie używane elektronarzędzie przechowuj poza zasięgiem dzieci i nie dopuszczaj osób nie znających elektronarzędzia lub tej instrukcji do posługiwania się elektronarzędziem.** Elektronarzędzia obsługiwane przez osoby nieprzygotowane stanowią zagrożenie.
- e. **Regularnie dokonuj konserwacji elektronarzędzi. Sprawdź, czy ruchome**

części są właściwie połączone i zamocowane, czy części nie są uszkodzone oraz skontroluj wszelkie inne elementy mogące mieć wpływ na pracę elektronarzędzia. Uszkodzenia należy naprawić przed przystąpieniem do użytkowania. Wiele wypadków spowodowanych jest przez niedostateczną konserwację elektronarzędzi.

- f. **Dbaj o czystość narzędzi i ostrość elementów tnących.** Zadbane narzędzia tnące, z ostrymi krawędziami tnącymi, rzadziej się zacinają i są łatwiejsze w prowadzeniu.
 - g. **Elektronarzędzia, akcesoriów i końcówek należy używać zgodnie z niniejszą instrukcją obsługi, uwzględniając warunki i rodzaj wykonywanej pracy.** Użycie elektronarzędzia w sposób niezgodny z przeznaczeniem może być bardzo niebezpieczne.
- #### 5. Naprawy
- a. **Powierzaj naprawy elektronarzędzi wyłącznie osobom wykwalifikowanym, używającym identycznych części zamiennych.** Zapewni to bezpieczeństwo użytkowania naprawionego urządzenia.

Dodatkowe wskazówki dotyczące bezpiecznej pracy elektronarzędziami



Uwaga! Dodatkowe wskazówki dotyczące bezpiecznego użytkowania pilarek.

- a. **Trzymaj ręce z dala od miejsca cięcia i samego ostrza. Drugą ręką trzymaj urządzenie za dodatkowy uchwyt lub za obudowę.** Trzymając narzędzie obiema rękami unikniesz zranienia ostrzem.
- b. **Nie wkładaj ręki pod cięty element.** Od spodu nie ma osłony, która zabezpiecza przed zranieniem.
- c. **Dopasuj głębokość cięcia do grubości ciętego materiału.** Tarcza powinna wystawać po drugiej stronie ciętego elementu mniej niż wielkość jednego zęba.
- d. **Nigdy nie wolno ciąć elementów trzymanyh w rękach, czy opartych na kolanach. Cięty element należy przymocować do stabilnego blatu.** Solidne podparcie materiału jest ważne i pozwala zminimalizować ryzyko skaleczenia, zaklinowania tarczy lub utraty kontroli nad narzędziem.
- e. **Jeśli istnieje ryzyko dotknięcia w czasie pracy ukrytych przewodów lub własnego przewodu**

zasilającego, elektronarzędzie tnące należy trzymać za izolowane uchwyty. Dotknięcie przewodu z prądem może spowodować pojawienie się napięcia na metalowych elementach obudowy elektronarzędzia i porażenie prądem użytkownika narzędzia.

- f. **W czasie przycinania zawsze używaj przewodnicy wzdłużnej lub równoległej.** Poprawia to dokładność cięcia i zmniejsza ryzyko zaklinowania tarczy.
- g. **Należy zawsze używać tarcz z otworami do mocowania o odpowiednim kształcie i średnicy (czworokątnych lub okrągłych).** Tarcze, które nie pasują do uchwytów, będą pracowały niewspółosiowo i powodowały utratę kontroli nad narzędziem.
- h. **Nie wolno stosować zniszczonych lub niepasujących podkładek lub śrub.** Podkładki i śruby są specjalnie zaprojektowane do danego urządzenia tak, aby zapewnić optymalną i bezpieczną pracę.

Dalsze wskazówki dotyczące bezpiecznej pracy pilarkami

Przyczyny i sposoby zapobiegania zjawisku gwałtownego odrzutu pilarki:

- ◆ gwałtowny odrzut pilarki to gwałtowna reakcja wywołana zakleszczeniem, zacięciem lub złym ustawieniem tarczy tnącej, polegająca na niekontrolowanym odepchnięciu piły od ciętego elementu, w kierunku operatora;
- ◆ kiedy tarcza zacina się lub zakleszcza w nacięciu wykonanym od góry, zostaje ona nagle zatrzymana a siła reakcji silnika powoduje gwałtowne odepchnięcie narzędzia w kierunku operatora;
- ◆ jeśli tarcza zegnę się lub przesunie w trakcie cięcia, zęby tarczy na tylnym brzegu mogą wbić się w górną powierzchnię drewna powodując wypadnięcie tarczy ze szczeliny i odepchnięcie w kierunku operatora.

Zjawisko gwałtownego odrzutu pilarki jest wynikiem niewłaściwego zastosowania i/lub niewłaściwego postępowania lub warunków pracy urządzenia. Można mu zapobiegać podejmując opisane niżej działania:

- a. **Chwyć mocno pilarkę obiema rękami i trzymaj tak, aby zrównoważyć siły odrzucające pilarkę. Trzymaj pilarkę z boku, nie w stawaj na przedłużeniu linii cięcia.** Zjawisko gwałtownego odrzutu pilarki może spowodować odepchnięcie pilarki do tyłu, jednak podjęcie odpowiednich kroków pozwala na zachowanie kontroli nad narzędziem.

- b. **W przypadku zaklinowania tarczy lub potrzeby przerwania cięcia, należy przed wyjęciem pilarki zwolnić wyłącznik oraz zaczekać aż pilarka całkowicie stanie. Nie wolno próbować wyjmować pilarki z ciętego materiału lub przesuwać ją do tyłu, gdy tarcza obraca się lub wystąpiło zjawisko gwałtownego odrzucenia pilarki.** Sprawdź przyczyny i podejmij działania, aby wyeliminować zakleszczanie się tarczy.
- c. **Wznawiając cięcie, należy wyśrodkować tarczę w nacięciu i upewnić się, że zęby tnące nie zaczepiają o materiał.** Jeśli tarcza zaklinuje się, może wysunąć się lub odepchnąć piłę w momencie ponownego włączenia.
- d. **Podprzyj duże płyty, aby zminimalizować ryzyko zakleszczenia i odrzucenia pilarki.** Duże płyty uginają się pod własnym ciężarem. Podpory trzeba umieszczać pod płytą, po obu stronach w pobliżu linii cięcia i na brzegach płyty.
- e. **Nie używaj tępych lub uszkodzonych ostrzy.** Tępe i źle zamontowane tarcze wykonują wąskie cięcia powodujące nadmierne tarcie, zakleszczanie tarczy i odrzut pilarki.
- f. **Dźwignie regulacji pochyleń i głębokości cięcia muszą być dociśnięte i zabezpieczone przed rozpoczęciem cięcia.** Przesunięcie się ustawień tarczy podczas cięcia może doprowadzić do zakleszczenia i odrzutu pilarki.
- g. **Zachowaj szczególną ostrożność w trakcie cięcia w ścianach i gdy nie ma pewności co jest pod powierzchnią.** Wystające ostrze może dotknąć ukrytych przedmiotów i spowodować gwałtowny odrzut pilarki.

Wskazówki dotyczące bezpiecznej pracy pilarkami tarczowymi z wewnętrzną lub zewnętrzną osłoną obrotową lub wleczoną.

- a. **Przed każdym użyciem pilarki należy sprawdzić, czy osłona zamyka się poprawnie. Nie wolno używać pilarki, jeśli osłona nie porusza się i nie zamyka się swobodnie. Nigdy nie wolno blokować osłony w pozycji otwartej.** Jeśli piła zostanie upuszczona, może dojść do wygięcia osłony. Należy podnieść osłonę za uchwyt i upewnić się, że swobodnie porusza się i nie dotyka tarczy ani innych części pilarki przy różnych ustawieniach głębokości i kąta cięcia.
- b. **Sprawdź działanie sprężyny osłony. Wadliwie działająca osłona lub sprężyna muszą zostać naprawione przed przystąpieniem do pracy.** Powolne zamykanie się osłony może być spowodowane uszkodzeniem lub odkładaniem się zanieczyszczeń.

- c. **Oslonę wolno odsuwać ręcznie tylko w wyjątkowych sytuacjach, np. przy takich cięciach jak zagłębianie pilarki w ścianie. Oslonę należy odsunąć za pomocą uchwytu i zwolnić w momencie rozpoczęcia zagłębiania się tarczy w ciętym materiale.** W każdym innym przypadku osłona powinna działać automatycznie.
- d. **Przed odłożeniem pilarki zawsze sprawdzaj, czy osłona zakrywa tarczę.** Nieosłonięta rozpędzona tarcza spowoduje popchnięcie pilarki do tyłu i przecięcie wszystkiego, co znajdzie się na jej drodze. Uwzględnij czas, jaki potrzebny jest na całkowite zatrzymanie tarczy po zwolnieniu wyłącznika.

Dodatkowe wskazówki dotyczące bezpiecznej pracy pilarkami z klinem rozszczepiającym.

- a. **Należy używać klinów rozszczepiających pasujących do używanej tarczy.** Aby klin działał poprawnie, musi być grubszy niż tarcza ale cieńszy niż szerokość zębów tarczy.
- b. **Ustawić klin rozszczepiający, postępując zgodnie z opisem umieszczonym w instrukcji obsługi.** Niewłaściwe ustawienia odległości i złe umiejscowienie klina mogą obniżyć skuteczność zapobiegania zjawisku gwałtownego odrzutu pilarki.
- c. **Używaj klina zawsze, z wyjątkiem cięcia polegającego na zagłębianiu pilarki.** Klin rozszczepiający należy powtórnie zamocować po skończonej pracy. W czasie cięcia polegającego na zagłębianiu pilarki, klin przeszkadza i może być powodem wystąpienia gwałtownego odrzutu.
- d. **Aby klin rozszczepiający spełniał swoje zadanie, musi być wsunięty w materiał.** W przypadku krótkich cięć, klin nie chroni przed odrzutem pilarki.
- e. **Nie wolno pracować pilarką, gdy klin rozszczepiający jest skrzywiony.** Nawet małe zakłócenie może spowolnić tempo zamykania się osłony.

Pozostałe zagrożenia

W związku z użytkowaniem pilarek, występują następujące zagrożenia:

- Ryzyko zranienia wynikające z dotknięcia części wirujących.

Nawet w przypadku stosowania się do wszystkich zaleceń dotyczących bezpiecznej pracy oraz używania środków ochrony osobistej, nie jest możliwe całkowite zniesienie ryzyka. Pozostają takie zagrożenia jak:

- Upośledzenie słuchu.
- Ryzyko wypadku spowodowanego przez nie osłoniętą część tarczy tnącej.
- Ryzyko zranienia w czasie wymiany tarczy tnącej.
- Ryzyko przycięcia palców w czasie otwierania osłony.
- Uszczerbek na zdrowiu spowodowany wdychaniem pyłów powstających w czasie cięcia drewna, szczególnie dębu, buczyny oraz MDF.

Tarcze tnące

- ◆ Nie wolno używać tarcz o mniejszej lub większej średnicy niż zalecana. Wymagania techniczne dotyczące tarczy podane są w rozdziale Dane techniczne. Należy używać wyłącznie tarcz o parametrach podanych w instrukcji obsługi oraz spełniających wymagania normy EN 847-1.
- ◆ **Uwaga!** Nie wolno używać tarcz ściernych.

Bezpieczeństwo osób postronnych

- ◆ **Uwaga!** Stosuj ochronę słuchu w czasie pracy.
- ◆ Opisywane urządzenie nie jest przeznaczone do użycia przez osoby o obniżonych możliwościach fizycznych, ruchowych lub umysłowych (także dzieci) lub o zbyt małej wiedzy i doświadczeniu, jeśli nie zostały one przeszkolone lub nie pozostają pod opieką osoby odpowiedzialnej za ich bezpieczeństwo.
- ◆ Należy pilnować dzieci, aby nie bawiły się urządzeniem.

Drgania

Podawana w tabeli danych technicznych oraz w deklaracji zgodności z normami wartość drgań (wibracji), została zmierzona zgodnie ze standardową procedurą zawartą w normie EN 60745. Informacja ta może służyć do porównywania tego narzędzia z innymi. Deklarowana wartość emitowanych drgań może również służyć do przewidywania stopnia narażenia użytkownika na wibracje.

Uwaga! Chwilowa siła drgań, występująca w czasie pracy elektronarzędziem, może odbiegać od podawanych wartości, w zależności od sposobu użytkowania urządzenia. Poziom wibracji może przekroczyć podawaną wartość.

Przy określaniu ekspozycji na wibracje, w celu podjęcia środków ochrony osób zawodowo użytkujących elektronarzędzia, zgodnie z normą 2002/44/EC należy uwzględnić rzeczywiste warunki i rodzaj wykonywanej pracy. Także okresy przestoju i pracy bez obciążenia.

Symbole na urządzeniu

Na obudowie narzędzia umieszczono następujące piktogramy:



Uwaga! Aby zminimalizować ryzyko zranienia, użytkownik musi zapoznać się z instrukcją obsługi.

Ochrona przed porażeniem prądem elektrycznym



Opisywane elektronarzędzie jest podwójnie izolowane; dlatego nie ma konieczności stosowania dodatkowego uziemienia. Należy zawsze upewnić się, czy napięcie zasilania zgodne jest z wartością podaną na tabliczce znamionowej.

- ◆ Ze względów bezpieczeństwa wymianę uszkodzonego przewodu zasilającego należy powierzyć producentowi lub autoryzowanemu centrum serwisowemu Black & Decker.

Wyposażenie

1. Wyłącznik
2. Blokada wyłącznika
3. Uchwyt główny
4. Drugi uchwyt
5. Wskaźnik odchylenia od pionu
6. Blokada mechanizmu ustawienia kąta odchylenia od pionu
7. Prowadnica równoległa
8. Stopa
9. Tarcza tnąca
10. Osłona tarczy tnącej
11. Klin rozszczepiający
12. Regulacja głębokości cięcia
13. Blokada regulacji głębokości cięcia
14. Klucz
15. Kanał odprowadzenia pyłu

Montaż

Uwaga! Przed przystąpieniem do opisanych poniżej czynności upewnij się, że narzędzie jest wyłączone i wtyczka wyjęta z gniazda oraz tarcza tnąca zatrzymała się.

Demontaż i montaż tarczy tnącej (Rys. A)

Ostrożnie! Ta metoda wymiany ostrza jest zalecana tylko w przypadku ostrz posiadających otwór (16) służący do blokowania go w trakcie zakładania i wyjmowania.

Demontaż

- ◆ Wsunąć śrubokręt w otwór (16) aby zablokować obracanie tarczy.

- ◆ Przy użyciu dołączonego klucza (14) odkręcić obracając przeciwnie do ruchu wskazówek zegara i wyjąć śrubę mocującą tarczę (17).
- ◆ Zdjąć zewnętrzną podkładkę (18).
- ◆ Zdjąć tarczę tnącą (9).

Montaż

- ◆ Założyć tarczę tnącą na wewnętrzną podkładkę (19). Upewnić się czy strzałki kierunku obrotu na tarczy są zgodne z kierunkiem strzałki na obudowie narzędzia.
- ◆ Nałożyć podkładkę (18) na wrzeciono, gładką stroną do tarczy.
- ◆ Wsunąć śrubę mocującą tarczę (17) w otwór.
- ◆ Wsunąć śrubokręt w otwór (16) aby zablokować obracanie tarczy.
- ◆ Przy użyciu dołączonego klucza (14) mocno dokręcić, zgodnie z ruchem wskazówek zegara, śrubę mocującą tarczę.
- ◆ Wyregulować klin rozszczepiający postępując zgodnie z poniższą instrukcją.

Uwaga! Zawsze w przypadku zakładania nowego ostrza należy sprawdzić jego osłonę i upewnić się, że porusza się ono lekko i bez przeszkód.

Zakładanie i zdejmowanie brzeszczotu (rys. B)

Ostrożnie!! Ta metoda wymiany ostrza jest zalecana w przypadku ostrz nie posiadających otworu (16) służący do blokowania go w trakcie zakładania i wyjmowania.

Demontaż

- ◆ Ustawić głębokość cięcia na 10 mm.
- ◆ Umieścić kawałek metalu na podłodze, następnie umieścić piłę na krawędzi drewna w sposób pokazany na ilustracji B w celu uniknięcia obracania się ostrza.
- ◆ Naciskając na piłę, poluzować i usunąć śrubę mocującą ostrze (17), obracając ją w kierunku przeciwnym do ruchu wskazówek zegara za pomocą dołączonego klucza (14).
- ◆ Zdjąć podkładkę zewnętrzną (18).
- ◆ Wyjąć ostrze piły (9).

Montaż

- ◆ Umieścić ostrze piły na podkładce wewnętrznej (19), upewniając się, że strzałka na ostrzu jest ustawiona w tym samym kierunku, co strzałka na narzędziu.
- ◆ Zamocować podkładkę zewnętrzną (18) na wrzecionie, w pozycji, w której podniesiona część skierowana jest od ostrza piły.
- ◆ Wkręcić śrubę mocującą ostrze (17) w otwór i lekko dokręcić je ręką.

- ◆ Umieścić kawałek metalu na podłodze, następnie umieścić piłę na krawędzi drewna w sposób pokazany na ilustracji B w celu uniknięcia obracania się ostrza.
- ◆ Naciskając na piłę, mocno dokręcić śrubę mocującą ostrze (17), obracając ją w kierunku przeciwnym do ruchu wskazówek zegara za pomocą dołączonego klucza (14).
- ◆ Wyregulować klin rozszczepiający w sposób opisany poniżej.

Uwaga! Zawsze w przypadku zakładania nowego ostrza należy sprawdzić jego osłonę i upewnić się, że porusza się ono lekko i bez przeszkód.

Regulacja klina rozszczepiającego (Rys. C)

Klin rozszczepiający zapobiega zacinaniu się tarczy tnącej w czasie cięcia. Po wymianie tarczy tnącej należy wyregulować klin rozszczepiający.

- ◆ Poluzować śrubę (20) pozycjonującą klin rozszczepiający.
- ◆ Ustawić klin rozszczepiający (11) jak na rysunku. Odległość pomiędzy zębami tarczy a klinem rozszczepiającym powinna wynosić 2 - 3 mm. Różnica w wysokości pomiędzy zębami tarczy a dolnym końcem klina rozszczepiającego powinna wynosić 2 - 3 mm.
- ◆ Dokręcić śrubę.

Montaż i demontaż prowadnicy równoległej (Rys. D)

Prowadnica równoległa służy do prowadzenia pilarki wzdłuż prostej linii równoległej do brzegu ciętego kawałka.

Montaż

- ◆ Poluzować blokadę gałką (21).
- ◆ Wsunąć prowadnicę równoległą (7) przez otwory (22).
- ◆ Ustawić prowadnicę równoległą w pożądanej pozycji.
- ◆ Dokręcić blokadę.

Demontaż

- ◆ Poluzować blokadę gałką (21).
- ◆ Wyjąć prowadnicę równoległą.

Eksploatacja

Opisywane narzędzie może służyć zarówno osobom praworęcznym jak i leworęcznym.

Regulacja głębokości cięcia (Rys. E)

Głębokość cięcia powinna być ustawiona w zależności od grubości ciętego elementu. Powinna być większa od grubości elementu o ok. 2 mm.

- ◆ Poluzować blokadę (13) aby zwolnić stopę pilarki.

- ◆ Ustawić stopę pilarki (8) w pożądanej pozycji. Ustawioną głębokość cięcia można odczytać na skali (12).
- ◆ Zaciśnąć blokadę aby unieruchomić stopę pilarki.

Regulacja kąta odchylenia od pionu (Rys. F)

Możliwe jest ustawienie kąta odchylenia od pionu w zakresie od 0° do 45°.

- ◆ Poluzować blokadę gałką (6) aby zwolnić stopę pilarki.
- ◆ Ustawić stopę pilarki (8) w pożądanej pozycji. Ustawiony kąt odchylenia od pionu można odczytać na skali (5).
- ◆ Dokręcić gałkę blokady aby unieruchomić stopę pilarki.

Włączanie i wyłączanie

- ◆ Aby włączyć narzędzie należy ustawić blokadę wyłącznika (2) w pozycji odblokowanej i nacisnąć wyłącznik (1).
- ◆ Aby wyłączyć narzędzie należy zwolnić wyłącznik.

Cięcie

- ◆ Zawsze trzymaj narzędzie w dwóch rękach.
- ◆ Pozwól tarczy przez kilka sekund obracać się bez obciążenia zanim rozpoczniesz cięcie.
- ◆ W czasie cięcia jedynie lekko popychaj narzędzie.
- ◆ W czasie pracy stopa powinna dociskać cięty materiał.

Odprowadzenie pyłu (Rys. G)

Aby przyłączyć odkurzacz lub wyciąg pyłu do narzędzia konieczne jest zastosowanie przejściówki. Przejściówkę można nabyć u miejscowego sprzedawcy sprzętu Black & Decker.

- ◆ Wsunąć przejściówkę (23) do kanału odprowadzającego pył (15).
- ◆ Przyłączyć wąż odkurzacza do przejściówki.

Wskazówki praktyczne

- Ponieważ nie jest możliwe uniknięcie strzępienia brzegu linii cięcia po stronie wierzchniej, należy ciąć od strony gdzie będzie to mniej widoczne.
- ◆ Gdy trzeba zmniejszyć strzępienie, na przykład w przypadku cięcia laminatów, przyciśnij cięty materiał od góry kawałkiem sklejk.

Akcesoria

Wydajność narzędzia zależy od użytego osprzętu. Osprzęt Black & Decker i Piranha został wykonany z zachowaniem wysokich standardów jakości i zaprojektowany tak, aby podnieść wydajność narzędzia. Używając tych akcesoriów maksymalnie wykorzystasz możliwości swojego narzędzia.

Konserwacja

Opisywane sieciowe/bezprzewodowe urządzenie/narzędzie Black & Decker zostało zaprojektowane tak, aby zapewnić długoletnią pracę przy minimalnej konieczności konserwacji. Aby długo cieszyć się właściwą pracą urządzenia, należy odpowiednio z nim postępować i regularnie je czyścić.

Uwaga! Przed przystąpieniem do konserwacji elektronarzędzi zasilanych przewodem zasilającym / akumulatorami:

- ◆ Wyłącz urządzenie i wyjmij wtyczkę z kontaktu.
- ◆ Lub wyłącz i odłącz akumulator od urządzenia, jeśli urządzenie jest wyposażone w oddzielny akumulator.
- ◆ Jeśli akumulator jest zintegrowany, należy go całkowicie rozładować a następnie wyłączyć urządzenie.
- ◆ Przed czyszczeniem wyjąć wtyczkę ładowarki z gniazda zasilającego. Ładowarka nie wymaga, oprócz okresowego czyszczenia, żadnej dodatkowej konserwacji.
- ◆ Okresowo czyścić otwory wentylacyjne urządzenia/narzędzia/ładowarki za pomocą miękkiej szczoteczki lub suchej ściereczki.
- ◆ Okresowo czyścić obudowę silnika za pomocą wilgotnej ściereczki. Nie wolno używać preparatów do szorowania, ani zawierających rozpuszczalniki.
- ◆ Okresowo rozkręcać szczęki zaciskowe i wytrzeć z nich gromadzący się pył.

Wymiana wtyczki sieciowej (dotyczy tylko Wielkiej Brytanii i Irlandii)

Jeśli występuje konieczność montażu nowej wtyczki:

- ◆ Odpowiednio zutylizuj starą wtyczkę.
- ◆ Przyłączyć brązowy przewód do zacisku fazy w nowej wtyczce.
- ◆ Przyłączyć niebieski przewód do zacisku zerowego.

Uwaga! Nie wykonuje się przyłączenia do końcówki uzziemienia. Wykonaj instrukcje instalacji dołączone do wtyczek wysokiej jakości. Zalecany bezpiecznik: 13 A.

Ochrona środowiska



Selektywna zbiórka odpadów. Opisywanego produktu nie wolno utylizować razem ze zwykłymi śmieciami z gospodarstw domowych.

Gdy okaże się, że konieczna jest wymiana posiadanego narzędzia Black & Decker lub nie będzie się go więcej używać, nie należy wyrzucać go razem ze śmieciami z gospodarstwa domowego. Należy przekazać produkt do punktu selektywnej zbiórki odpadów.



Selektywna zbiórka zużytych produktów i opakowań pozwala na powtórne wykorzystanie użytych materiałów. Powtórne użycie materiałów pomaga chronić środowisko naturalne przed zanieczyszczeniem i zmniejsza zapotrzebowanie na surowce.

Lokalne przepisy mogą zapewniać możliwość selektywnej zbiórki zużytych urządzeń elektrycznych z gospodarstw domowych na miejskich wysypiskach śmieci lub u sprzedawcy, w przypadku zakupu nowego urządzenia.

Black & Decker zapewnia możliwość zbiórki i recyklingu swoich produktów po zakończeniu okresu eksploatacji. Aby skorzystać z tej możliwości, prosimy je zwrócić do jednego z Autoryzowanych Przedstawicieli Serwisowych.

Lista autoryzowanych przedstawicieli serwisowych Black & Decker oraz informacje na temat naszego serwisu posprzedażnego, dostępne są na stronie internetowej: **www.2helpU.com**

Dane techniczne

		CD601 TYP 2	CD602 TYP 2
Napięcie zasilania	V_{AC}	230	230
Moc elektryczna	W	1,100	1,150
Prędkość bez obciążenia	min^{-1}	5,000	5,000
Maksymalna głębokość cięcia	mm	55	55
Średnica tarczy	mm	170	170
Średnica otworu tarczy	mm	16	16
Szerokość ostrza	mm	2.6	2.6
Waga	kg	4.7	4.7

Poziom ciśnienia akustycznego, zgodnie z EN 60745:

Ciśnienie akustyczne (L_{pA}) 101 dB(A), wahania (K) 3 dB(A)
Moc akustyczna (L_{WA}) 112 dB(A), wahania (K) 3 dB(A)

Sumaryczna wartość drgań (suma wektorów trzech osi), zgodnie z EN 60745:

Wartość emisji drgań (a_h) 4,46 m/s^2 , wahania (K) 1,5 m/s^2

Deklaracja zgodności UE

DYREKTYWA MASZYNOWA



CD601/CD602

Firma Black & Decker oświadcza, że opisywane
szlifierki AST6/CD105/CD110/CD115 spełniają
wymagania norm:

2006/42/EC, EN 60745-1, EN 60745-2-5

Aby otrzymać więcej informacji, należy
skontaktować się z firmą
Black & Decker pod adresem podanym poniżej
lub na końcu instrukcji.

Niżej podpisana osoba odpowiedzialna jest za
zestawienie informacji technicznych i składa
niniejszą deklarację w imieniu firmy
Black & Decker.

Kevin Hewitt
Vice-President Global Engineering
Black & Decker Europe, 210 Bath Road, Slough,
Berkshire, SL1 3YD
Wielka Brytania
15/07/2010

Black & Decker**Warunki gwarancji:**

Gwarantujemy sprawne działanie produktu, zgodnie z warunkami techniczno-eksploatacyjnymi opisanymi w instrukcji obsługi. Niniejszą gwarancją nie jest objęte wyposażenie takie, jak: szczotki, tarcze pilarskie, tarcze ściernie, wiertła i inne akcesoria, jeżeli nie została do nich dołączona oddzielna karta gwarancyjna oraz elementy podlegające naturalnemu zużyciu.

1. Niniejszą gwarancją objęte są usterki produktu spowodowane wadami produkcyjnymi i wadami materiałowymi.
2. Niniejsza gwarancja jest ważna po przedstawieniu przez Klienta w Centralnym Serwisie Gwarancyjnym reklamowanego produktu oraz łącznie:
 - a) poprawnie wypełnionej karty gwarancyjnej;
 - b) ważnego paragonu zakupu z datą sprzedaży taką, jak w karcie gwarancyjnej lub kopii faktury.
3. Gwarancja obejmuje bezpłatną naprawę urządzenia (wraz z bezpłatną wymianą uszkodzonych części) w okresie 24 miesięcy od daty zakupu.
4. Produkt reklamowany musi być:
 - a) dostarczony bezpośrednio do Centralnego Serwisu Gwarancyjnego wraz z poprawnie wypełnioną Kartą Gwarancyjną i ważnym paragonem zakupu (lub kopią faktury) oraz szczegółowym opisem uszkodzenia, lub
 - b) przesłany do Centralnego Serwisu Gwarancyjnego za pośrednictwem punktu sprzedaży wraz z dokumentami wymienionymi powyżej.
5. Koszty wysyłki do Centralnego Serwisu Gwarancyjnego ponosi Black & Decker. Wszelkie koszty związane z zapewnieniem bezpiecznego opakowania, ubezpieczeniem i innym ryzykiem ponosi Klient. W przypadku odrzucenia roszczenia gwarancyjnego, produkt jest odsyłany do miejsca nadania na koszt adresata.
6. Usterki ujawnione w okresie gwarancji będą usunięte przez Centralny Serwis Gwarancyjny w terminie:
 - a) 14 dni roboczych od daty przyjęcia produktu przez Centralny Serwis Gwarancyjny;
 - b) termin usunięcia wady (punkt 6 a) może być wydłużony o czas niezbędny do importu niezbędnych części zamiennych;
7. Klient otrzyma nowy sprzęt, jeżeli:
 - a) Centralny Serwis Gwarancyjny stwierdzi na piśmie, że usunięcie wady jest niemożliwe;
 - b) produkt nie podlega naprawie, tylko wymianie bez dokonywania naprawy.
8. O ile taki sam produkt jest nieosiągalny, może być wydany nowy produkt o niegorszych parametrach.
9. Decyzja Centralnego Serwisu Gwarancyjnego odnośnie zasadności zgłaszanych usterek jest decyzją ostateczną.
10. Gwarancją nie są objęte:
 - a) wadliwe działanie lub uszkodzenia spowodowane niewłaściwym użytkowaniem lub używaniem produktu niezgodnie z przeznaczeniem, instrukcją obsługi lub przepisami bezpieczeństwa. W szczególności profesjonalne użytkowanie amatorskich narzędzi Black & Decker powoduje utratę gwarancji;
 - b) wadliwe działanie lub uszkodzenia spowodowane przeciążaniem narzędzia, które prowadzi do uszkodzeń silnika, przekładni lub innych elementów a także stosowaniem osprzętu innego niż zalecany przez Black & Decker;
 - c) mechaniczne uszkodzenia produktu i wywołane nimi wady;
 - d) wadliwe działanie lub uszkodzenia na skutek działania pożaru, powodzi, czy też innych klęsk żywiołowych, nieprzewidzianych wypadków, korozji, normalnego zużycia w eksploatacji czy też innych czynników zewnętrznych;
 - e) produkty, w których naruszone zostały plomby gwarancyjne lub, które były naprawiane poza Centralnym Serwisem Gwarancyjnym lub były przerabiane w jakikolwiek sposób;
 - f) osprzęt eksploatacyjny dołączony do urządzenia, taki jak: wiertła, tarcze pilarskie, tarcze szlifierskie, końcówki wkręcające, noże strugarskie, brzeszczoty, papier ścierny, paski napędowe i inne elementy ulegające naturalnemu zużyciu.
11. Centralny Serwis Gwarancyjny, firmy handlowe, które sprzedały produkt, nie udzielają upoważnień ani gwarancji innych niż określone w karcie gwarancyjnej. W szczególności nie obejmują prawa klienta do domagania się zwrotu utraconych zysków w związku z uszkodzeniem produktu.
12. Gwarancja nie wyłącza, nie ogranicza ani nie zawiesza uprawnień kupującego wynikających z niezgodności towaru z umową.

Centralny Serwis Gwarancyjny ERPATECH
 ul. Obozowa 61, 01-418 Warszawa
 tel.: (22) 862-08-08, fax: (22) 862-08-09

Použitie výrobku

Vaša píla Black & Decker je určená na rezanie dreva a drevených výrobkov. Tento výrobok je určený len na spotrebiteľské použitie.

Bezpečnostné pokyny

Všeobecné bezpečnostné pokyny pre prácu s elektrickým náradím



Varovanie! Prečítajte si riadne všetky pokyny. Nedodržanie nižšie uvedených pokynov môže spôsobiť úraz elektrickým prúdom, vznik požiaru alebo iné vážne poranenie.

Tieto pokyny uložte na bezpečnom mieste pre prípadné ďalšie použitie.

Označenie „elektrické náradie“ vo všetkých nižšie uvedených upozorneniach odkazuje na Vaše náradie napájané zo siete (obsahuje napájací prívodný kábel) alebo náradie napájané batériami (bez prívodného kábla).

1. **Bezpečnosť v pracovnom priestore**
 - a. **Pracovný priestor udržiavajte v čistote a dobre osvetlený.** Neporiadok na pracovnom stole a nedostatok svetla v jeho okolí vedú k nehodám.
 - b. **S elektrickým náradím nepracujte vo výbušných priestoroch, ako sú napríklad priestory s výskytom horľavých kvapalín, plynov alebo prašných látok.** Elektrické náradie je zdrojom iskrenia, ktoré môže viesť k vznieteniu horľavín.
 - c. **Pri práci s elektrickým náradím držte deti a nepovolané osoby mimo jehodosahu.** Rozptyľovanie môže spôsobiť stratu kontroly nad náradím.
 2. **Elektrická bezpečnosť**
 - a. **Zástrčka prívodného kábla náradia musí zodpovedať zásuvke. Nikdy akýmkoľvek spôsobom zástrčku neupravujte. Nepoužívajte s uzemneným elektrickým náradím žiadne upravené zástrčky.** Neupravované zástrčky a zodpovedajúce zásuvky znižujú riziko vzniku úrazu elektrickým prúdom.
 - b. **Nedotýkajte sa uzemnených povrchov, ako sú napr. potrubia, radiátory, sporáky a chladničky.** Pri uzemnení Vášho tela hrozí zvýšené nebezpečenstvo úrazu elektrickým prúdom.
 - c. **Nevystavujte elektrické náradie dažďu alebo vlhkému prostrediu.** Pokiaľ do náradia vnikne voda, zvýši sa riziko úrazu elektrickým prúdom.
 - d. **S prívodným káblom zaobchádzajte opatrne. Nikdy nepoužívajte prívodný kábel na prenášanie náradia, na jeho posúvanie a pri odpájaní náradia od elektrickej siete za neho neťahajte.** Dbajte na to, aby sa kábel nedostal do kontaktu s mastnými, horúcimi a ostrými predmetmi a s pohyblivými časťami náradia. Poškodený alebo zapletený prívodný kábel zvyšuje riziko vzniku úrazu elektrickým prúdom.
 - e. **Ak pracujete s náradím vonku, používajte predlžovacie káble určené na použitie vonku.** Použitie kábla určeného na vonkajšie použitie znižuje riziko úrazu elektrickým prúdom.
 - f. **Ak musíte používať elektrické náradie vo vlhkom prostredí, použite prúdový chránič (RCD).** Použitie prúdového chrániča (RCD) znižuje riziko úrazu elektrickým prúdom.
3. **Bezpečnosť osôb**
 - a. **Zostaňte stále pozorní, sledujte, čo robíte a pri práci s elektrickým náradím premýšľajte. Nepoužívajte elektrické náradie, ak ste unavení alebo ak ste pod vplyvom drog, alkoholu alebo liekov.** Chvilka nepozornosti pri práci s elektrickým náradím môže viesť k vážnemu úrazu.
 - b. **Používajte prostriedky na ochranu osôb. Vždy používajte ochranu zraku.** Ochranné prostriedky, ako respirátor, nekízavá pracovná obuv, pokrývka hlavy a chrániče sluchu znižujú riziko poranenia osôb.
 - c. **Zabráňte náhodnému zapnutiu. Pred pripojením k zdroju napätia alebo pred vložením akumulátora, zdvíhaním alebo prenášaním náradia skontrolujte, či je hlavný vypínač vypnutý.** Prenášanie náradia s prstom na hlavnom vypínači alebo pripojenie prívodného kábla k elektrickému rozvodu, ak je hlavný vypínač náradia v zapnutej polohe, môže spôsobiť úraz.
 - d. **Pred zapnutím náradia sa vždy uistite, či nie sú v jeho blízkosti kľúče alebo nastavovacie prípravky.** Ponechané kľúče môžu byť zachytené rotujúcimi časťami náradia a môžu spôsobiť úraz.
 - e. **Neprekážajte sami sebe. Pri práci vždy udržiavajte vhodný a pevný postoj.** Tak sa umožní lepšia ovládateľnosť náradia v neočakávaných situáciách.

- f. **Vhodne sa obliekajte. Nenoste voľný odev alebo šperky. Dbajte na to, aby sa Vaše vlasy, odev a rukavice nedostali do kontaktu s pohyblivými časťami.** Voľné šaty, šperky alebo dlhé vlasy môžu byť pohyblivými dielmi zachytené.
- g. **Ak sú zariadenia vybavené adaptérom pre pripojenie odsávacieho zariadenia a zberných zásobníkov, zaistite ich správne pripojenie a riadnu funkciu.** Použitie týchto zariadení môže znížiť nebezpečenstvo týkajúce sa prachu.
4. **Použitie elektrického náradia a jeho údržba**
- a. **Elektrické náradie nepreťažujte. Používajte správny typ náradia pre Vašu prácu.** Pri použití správneho typu náradia bude práca vykonaná lepšie a bezpečnejšie .
- b. **Ak nejde hlavný vypínač náradia zapnúť a vypnúť, s náradím nepracujte.** Akékoľvek náradie s nefunkčným hlavným vypínačom je nebezpečné a musí byť opravené.
- c. **Pred výmenou akýchkoľvek častí, príslušenstva alebo iných pripojených súčastí, pred vykonávaním údržby alebo pokiaľ náradie nepoužívate, odpojte ho od elektrickej siete alebo vyberte akumulátor.** Tieto preventívne bezpečnostné opatrenia znižujú riziko náhodného zapnutia náradia.
- d. **Pokiaľ náradie nepoužívate, uložte ho mimo dosahu detí a zabráňte tomu, aby toto náradie použili osoby, ktoré nie sú oboznámené s jeho obsluhou alebo s týmto návodom.** Elektrické náradie je v rukách nekvalifikovanej obsluhy nebezpečné.
- e. **Údržba elektrického náradia. Skontrolujte vychýlenie či zaseknutie pohyblivých častí, poškodenie jednotlivých dielov a iné okolnosti, ktoré môžu mať vplyv na chod náradia. Pokiaľ je náradie poškodené, nechajte ho pred použitím opraviť.** Mnoho nehôd vzniká v dôsledku nedostatočnej údržby náradia.
- f. **Rezné nástroje udržiavajte ostré a čisté.** Riadne udržiavané rezné nástroje s ostrými hranami sa menej zanášajú a lepšie sa ovládajú.
- g. **Náradie, príslušenstvo a držiaky nástrojov používajte podľa týchto pokynov a spôsobom určeným daným typom náradia. Berte do úvahy prevádzkové podmienky a prácu, ktorú je nutné vykonať.** Použitie náradia na iné účely, než na aké je určené, môže byť nebezpečné.

5. Opravy

- a. **Zverte opravu Vášho náradia iba osobe s príslušnou kvalifikáciou, ktorá bude používať výhradne originálne náhradné diely.** Tým zaistíte bezpečnú prevádzku náradia.

Ďalšie bezpečnostné výstrahy týkajúce sa elektrického náradia



Varovanie! Ďalšie bezpečnostné výstrahy pre pílu

- a. **Nevkladajte ruky do priestoru rezania a nepribližujte ich ku kotúču. Majte druhú ruku položenú na prídavnej rukoväti náradia alebo na kryte motora.** Ak držíte pílu oboma rukami, nemôže dôjsť k ich porezaniu.
- b. **Nesiahajte pod obrobok.** Ochranný kryt Vás nemôže chrániť pred pílovým kotúčom pod obrobkom.
- c. **Upravte hĺbku rezu podľa hrúbky obrobku.** Pri rezaní by nemala byť pod obrobkom vidieť celá dĺžka zubov pílového kotúča.
- d. **Nikdy nedržte odrezávaný kúsok obrobku v ruke a nekladte si ho krížom cez nohu. Upnite si obrobok do stabilného zveráku.** Správne upnutie a podoprenie obrobku je veľmi dôležité z hľadiska minimalizácie ohrozenia obsluhujúceho, ohybu pílového kotúča alebo straty ovládateľnosti.
- e. **Pri pracovných operáciách, pri ktorých by mohlo dôjsť ku kontaktu so skrytými vodičmi alebo s vlastným káblom, držte elektrické náradie vždy za izolované rukoväti.** Pri kontakte so „živým“ vodičom spôsobia nechránené kovové časti náradia obsluhu úraz elektrickým prúdom.
- f. **Pri rozrezávaní používajte vždy pravítko alebo rovnú vodiacu hranu.** Týmto spôsobom zvýšite presnosť rezu a znížite riziko ohybu pílového kotúča.
- g. **Vždy používajte kotúče správnej veľkosti a tvaru upínacieho otvoru (kosoštvorcové versus kruhové).** Pílové kotúče s otvormi, ktoré nezodpovedajú montážnemu úchytu na píle, sa budú otáčať excentricky, čo spôsobí stratu ovládateľnosti náradia.
- h. **Nikdy nepoužívajte poškodené alebo nesprávne podložky a skrutky.** Podložky a upínacie skrutky boli skonštruované priamo pre Vašu pílu, čo zaručuje jej optimálny výkon a bezpečnosť jej prevádzky.

Ďalšie bezpečnostné pokyny pre všetky píly

Príčiny spätného rázu a ochrana obsluhujúceho pred jeho pôsobením:

- ◆ spätný ráz je náhlu reakciou, ktorá je spôsobená zovretím, odskočením alebo nesprávnym nastavením pílového kotúča, čo ďalej spôsobuje nekontrolované nadvihnutie píly a jej vymrštenie od obrobku smerom k obsluhujúcemu;
- ◆ keď dôjde k pritlačeniu kotúča alebo k jeho odskočeniu od zárezu, kotúč sa zastaví a reakcia motora odmrští pílu rýchlo späť, smerom k obsluhujúcemu;
- ◆ keď dôjde k pokrúteniu rezného nástroja alebo k jeho vychýleniu v reze, zuby na zadnej hrane rezného nástroja sa môžu zaryť do vrchného povrchu dreva, čo spôsobí výstup rezného nástroja zo zárezu a vyskočenie píly smerom k obsluhujúcemu.

Spätný ráz je výsledkom nesprávneho použitia píly alebo nesprávnych pracovných postupov alebo prevádzkových podmienok. Tomuto javu môžete zabrániť, keď budete dodržiavať nižšie uvedené pokyny.

- a. **Držte pílu stále oboma rukami a majte ruky v takej polohe, aby ste boli stále pripravení kompenzovať silu spätného rázu. Postavte sa tak, aby ste stáli z jednej alebo z druhej strany pílového kotúča a nie priamo v jeho osi.** Spätný ráz môže spôsobiť odskočenie píly smerom dozadu, ale ak budete dodržiavať uvedené pokyny, obsluhujúci môže silu spätného rázu eliminovať.
- b. **Ak dôjde k zaseknutiu rezného nástroja alebo k prerušeniu rezu z akéhokoľvek dôvodu, uvoľnite hlavný vypínač a držte pílu bez pohybu v materiáli, pokým nedôjde k úplnému zastaveniu rezného nástroja. Ak je rezný nástroj v pohybe, nikdy sa nepokúšajte vybrať pílu z obrobku alebo ju stiahnuť späť, pretože by mohlo dôjsť k spätnému rázu.** Premýšľajte a prevádzkajte také úkony, aby ste eliminovali príčinu zaseknutia rezného nástroja.
- c. **Ak začínajte znovu rez v obrobku, zarovnajzte pílový kotúč v záreze a skontrolujte, či sa zuby pílového kotúča nedotýkajú materiálu obrobku.** Ak dôjde po zapnutí píly k zaseknutiu zubov pílového kotúča, môže dôjsť k pohybu píly smerom nahor alebo k spätnému rázu.
- d. **Veľké panely si vždy riadne podprite, aby bolo minimalizované riziko zovretia pílového kotúča a riziko spätného rázu.** Veľké panely majú pôsobením vlastnej hmotnosti tendenciu

sa prehýbať. Podpery musia byť umiestnené pod panelom na oboch stranách v blízkosti čiary rezu a v blízkosti hrany panelu.

- e. **Nepoužívajte tupé alebo poškodené pílové kotúče.** Neostre alebo nesprávne upnuté pílové kotúče vytvárajú úzky rez, čo spôsobuje nadmerné trenie, zasekávanie kotúča a spätné rázy.
- f. **Zaist'ovacie páky hĺbky rezu a šikmých rezov musia byť pred začatím rezania riadne utiahnuté a zaistené.** Ak dôjde pri rezaní k posuvu, môže dôjsť k zaseknutiu pílového kotúča alebo k spätnému rázu.
- g. **Ak robíte zárezy do stien alebo do iných plôch, buďte veľmi opatrní.** Vyčnievajúci pílový kotúč môže prerezať objekty, ktoré môžu spôsobiť spätný ráz.

Bezpečnostné pokyny pre okružné píly s vonkajšími alebo vnútornými výkyvnými krytmi a vlečným krytom.

- a. **Pred každým použitím skontrolujte, či dochádza k správne uzavretiu spodného krytu. Ak sa spodný kryt voľne nepohybuje a ak nedochádza k jeho okamžitému zatváraníu, pílu nepoužívajte. Nikdy žiadnym spôsobom nepripevňujte spodný kryt v otvorenej polohe.** Ak dôjde k náhodnému pádu píly, môže dôjsť k ohybu spodného krytu. Zdvihnite spodný kryt pomocou zaťahovacej rukoväte a uistite sa, či sa voľne pohybuje a či sa v žiadnom smere nedotýka pílového kotúča alebo inej časti píly.
- b. **Skontrolujte funkciu pružiny spodného krytu. Ak nepracuje kryt alebo pružina správne, musí byť pred zahájením práce vykonaná ich oprava.** Pohyb spodného krytu môže byť pomalý v dôsledku poškodených častí, usadenín a nahromadených nečistôt.
- c. **Spodný kryt môže byť ručne zasunutý iba pri špeciálnych rezoch ako sú „zárezy“ a „zložené rezy“.** Zdvihnite spodný kryt pomocou rukoväte a hneď ako pílový kotúč vnikne do materiálu, musíte spodný kryt uvoľniť. Pri všetkých ostatných typoch rezov by mal spodný kryt pracovať automaticky.
- d. **Vždy dbajte na to, aby pred položením píly na pracovný stôl alebo na podlahu spodný kryt zakryl pílový kotúč.** Nechránený a dobiehajúci pílový kotúč spôsobí pohyb píly a prereže materiály nachádzajúce sa v dráhe jeho pohybu. Pamätajte na to, že po uvoľnení hlavného vypínača chvíľu trvá, než dôjde k úplnému zastaveniu pílového kotúča.

Ďalšie bezpečnostné pokyny pre píly vybavené štiepacím klinom

- Používajte štiepací klin vhodný pre použité pílové kotúče.** Správny štiepací klin musí byť hrubší než je hrúbka pílového kotúča, ale tenší než nastavenie jeho zubov.
- Nastavte štiepací klin podľa pokynov uvedených v tomto návode.** Nesprávna vzdialenosť, poloha a zarovnanie môžu spôsobiť neschopnosť zabránenia spätnému rázu.
- Štiepací klin používajte vždy, okrem rezania zárezov.** Po vyrezaní zárezov musí byť štiepací klin znovu nainštalovaný. Pri rezaní zárezov by štiepací klin prekážal a mohol by spôsobiť spätný ráz.
- Ak má štiepací klin správne pracovať, musí byť v kontakte s obrobkom.** Pri rezaní krátkych rezov štiepací klin nezabraňuje vzniku spätného rázu.
- Ak je štiepací klin ohnutý, pílu nepoužívajte.** I malé vychýlenie môže spôsobiť pomalšie zatváranie krytu.

Zvyškové riziká

Pri práci s pilami vznikajú nasledujúce riziká:

- Zranenia spôsobené kontaktom s rotujúcimi dielcami.

Aj napriek dodržovaniu príslušných bezpečnostných opatrení a používaniu ochranných pomôcok nie je možné úplne vylúčiť určité zvyškové riziká. Tieto riziká sú:

- Poškodenie sluchu.
- Riziko nehôd spôsobených nekrytými časťami rotujúceho pílového kotúča.
- Riziko spôsobenia zranenia pri výmene pílového kotúča.
- Riziko priškripania prstov pri otváraní krytov.
- Zdravotné riziká spôsobené vdychovaním prachu vznikajúceho pri rezaní dreva, hlavne dubového, bukového a materiálu MDF.

Pílové kotúče

- ◆ Nepoužívajte pílové kotúče, ktorých priemer je menší alebo väčší než odporúčaný priemer. Správne rozmery pílového kotúča sú uvedené v technických údajoch. Používajte iba pílové kotúče, ktoré sú špecifikované v tomto návode a ktoré spĺňajú požiadavky normy EN 847-1.
- ◆ **Varovanie!** Nikdy nepoužívajte brúsne kotúče.

Bezpečnosť ostatných

- ◆ **Varovanie!** Pri práci s týmto náradím používajte ochranu sluchu.

- ◆ Tento prístroj nie je určený na použitie osobami (vrátane detí) so zníženými fyzickými, zmyslovými alebo duševnými schopnosťami, alebo s nedostatkom skúseností a znalostí, pokiaľ tieto osoby nepracujú pod dohľadom, alebo pokiaľ im neboli poskytnuté inštrukcie týkajúce sa použitia prístroja osobou zodpovednou za ich bezpečnosť.
- ◆ Deti by mali byť pod dozorom, aby sa s náradím nehrali.

Vibrácie

Deklarovaná úroveň vibrácií uvedená v technických údajoch a v prehlásení o zhode bola meraná v súlade so štandardnou skúšobnou metódou predpísanou normou EN 60745 a môže sa použiť na porovnávanie jednotlivých náradí medzi sebou. Deklarovaná úroveň vibrácií môže byť tiež použitá na predbežné stanovenie doby práce s týmto výrobkom.

Varovanie! Úroveň vibrácií pri aktuálnom použití elektrického náradia sa môže od deklarovanej úrovne vibrácií líšiť v závislosti od spôsobu použitia výrobku. Úroveň vibrácií môže byť oproti uvedenej hodnote vyššia.

Pri stanovení dĺžky vystavenia sa vibráciám z dôvodu určenia bezpečnostných opatrení podľa normy 2002/44/EC na ochranu osôb pravidelne používajúcich elektrické náradie v zamestnaní by mal predbežný odhad pôsobenia vibrácií brať do úvahy aktuálne podmienky použitia náradia s prihliadnutím na všetky časti pracovného cyklu, ako aj času, počas ktorého je náradie vypnuté a kedy beží naprázdno.

Štítky na náradí

Na stroji sú nasledovné piktogramy:



Varovanie! Z dôvodu zníženia rizika spôsobenia úrazu si užívateľ musí prečítať tento návod na použitie.

Elektrická bezpečnosť



Toto náradie je chránené dvojitou izoláciou. Preto nie je nutné použitie zemniaceho vodiča. Vždy skontrolujte, či napätie v sieti zodpovedá napätiu na výkonovom štítku.

- ◆ Ak dôjde k poškodeniu prívodného kábla, musí sa vymeniť výrobcom alebo v autorizovanom servise Black & Decker, aby sa zabránilo spôsobeniu úrazu elektrickým prúdom.

Popis

1. Hlavný vypínač
2. Blokovacie tlačidlo
3. Hlavná rukoväť
4. Prídavná rukoväť
5. Pravítko pokosových rezov
6. Zaisťujúci regulátor nastavenia uhla rezu
7. Paralelný doraz
8. Päťka píly
9. Pílový list
10. Ochranný kryt pílového kotúča
11. Štiepací klin
12. Mierka hĺbky rezu
13. Zabezpečovací regulátor nastavenej hĺbky rezu
14. Kľúč
15. Vývod pre piliny

Nastavenie

Varovanie! Pred prevedením nasledujúcich operácií skontrolujte, či je náradie vypnuté a odpojené od zdroja napätia, a či sa pílový list zastavil.

Zosadenie a nasadenie rezného kotúča (obr. A)

Upozornenie! Táto metóda výmeny pílového kotúča sa používa iba pri pílových kotúčoch, ktoré sú vybavené otvorom (16) na zaistenie pílového kotúča počas montáže a demontáže.

Zosadenie

- ◆ Do otvoru (16) vložte skrutkovač, tým zabránite otáčaniu rezného kotúča.
- ◆ Povoľte a odstráňte prídržnú skrutku rezného kotúča (17), skrutkou otáčajte pomocou dodaného kľúča (14) proti smeru otáčania hodinových ručičiek.
- ◆ Vytiahnite vonkajšiu podložku (18).
- ◆ Vytiahnite rezný kotúč (9).

Pripevnenie

- ◆ Rezný kotúč nasuňte na vnútornú podložku (19), skontrolujte, či šípka na kotúči je v rovnakom smere ako šípka vyznačená na náradí.
- ◆ Nasadte na hriadeľ vonkajšiu podložku (18), vyvýšenou stranou na druhú stranu od rezného kotúča.
- ◆ Do otvoru zaskrutkujte prídržnú skrutku rezného kotúča (17).
- ◆ Do otvoru (16) vložte skrutkovač, tým zabránite otáčaniu rezného kotúča.
- ◆ Dotiahnite prídržnú skrutku rezného kotúča (17), skrutkou otáčajte pomocou dodaného kľúča (14) v smere hodinových ručičiek.
- ◆ Štiepací klin nastavte podľa nižšie uvedeného postupu.

Varovanie! Pri každej montáži nového pílového kotúča by sa mala vykonať kontrola krytu pílového kotúča, aby ste sa uistili, či sa môže voľne pohybovať.

Odobratie a upnutie pílového kotúča (obr. B)

Upozornenie! Táto metóda sa používa na výmenu pílových kotúčov, ktoré nie sú vybavené otvorom (16) na zaistenie pílového kotúča počas montáže a demontáže.

Odobratie

- ◆ Nastavte hĺbku rezu na 10 mm.
- ◆ Položte na podlahu drevenú dosku. Potom položte pílu na nábehovú hranu dosky (ako je znázornené na obr. B), aby ste zabránili otáčaniu pílového kotúča.
- ◆ Vyvíjajte stály tlak na pílu a otáčaním proti smeru pohybu hodinových ručičiek pomocou dodaného kľúča (14) povoľte a odstráňte upínaciu skrutku pílového kotúča (17).
- ◆ Odoberte vonkajšiu podložku (18).
- ◆ Odoberte pílový kotúč (9).

Upnutie

- ◆ Nasadte pílový kotúč na vnútornú podložku (19) a uistite sa, či je šípka na pílovom kotúči v rovnakom smere ako šípka vyznačená na náradí.
- ◆ Nasadte na hriadeľ vonkajšiu podložku (18) tak, aby jej vyvýšená časť smerovala od pílového kotúča.
- ◆ Zasuňte do otvoru upínaciu skrutku pílového kotúča (17) a utiahnite ju rukou.
- ◆ Položte na podlahu drevenú dosku. Potom položte pílu na nábehovú hranu dosky (ako je znázornené na obr. B), aby ste zabránili otáčaniu pílového kotúča.
- ◆ Vyvíjajte stály tlak na pílu a otáčaním v smere pohybu hodinových ručičiek pomocou dodaného kľúča (14) riadne utiahnite upínaciu skrutku pílového kotúča (17).
- ◆ Nastavte rozpínací klin podľa nižšie uvedeného postupu.

Varovanie! Pri každej montáži nového pílového kotúča by sa mala vykonať kontrola krytu pílového kotúča, aby ste sa uistili, či sa môže voľne pohybovať.

Nastavenie štiepacieho klinu (obr. C)

Klin chráni ostrie rezného kotúča pred zablokovaním v priebehu zárezu. Po výmene rezného kotúča bude potrebné nôž na odtrhnutie nastaviť.

- ◆ Povoľte skrutku (20), tak že klin budete držať v pôvodnej polohe.

- ◆ Klin (11) umiestnite tak, ako je znázornené na obrázku.

Vzdialenosť medzi ozubením a klinom by mala byť 2 - 3 mm.

Výška medzi ozubením a spodným koncom klinu by mala byť 2 - 3 mm.

- ◆ Pritiahnite skrutku.

Osadenie a snímanie paralelného dorazu (obr. D)

Paralelný doraz sa používa na prevádzkanie priamych rezov rovnobežných s okrajom polotovaru.

Pripevnenie

- ◆ Povoľte poistnú skrutku (21).
- ◆ Doraz (7) pretiahnite otvormi (22).
- ◆ Posuňte ho do požadovanej polohy.
- ◆ Pritiahnite poistnú skrutku.

Zosadenie

- ◆ Povoľte poistnú skrutku (21).
- ◆ Vytiahnite doraz von z náradia.

Použitie

Toto náradie môžete používať v pravej aj ľavej ruke.

Nastavenie hĺbky rezu (obr. E)

Hĺbka rezu by mala byť nastavená podľa hrúbky rezaného polotovaru. Mala by presiahnuť hrúbku polotovaru približne o 2 mm.

- ◆ Povoľte regulátor (13), a tým bude odistená päťka píly.
- ◆ Presuňte päťku píly (8) do požadovanej polohy. Korešpondujúcu veľkosť hĺbky rezu si môžete prečítať na odmerke (12).
- ◆ Pritiahnite regulátor tak, aby bola päťka píly v nastavenej polohe.

Nastavenie uhla pokosového rezu (obr. F)

Na tomto náradí si môžete nastaviť uhol rezu v rozsahu 0° až 45°.

- ◆ Povoľte poistný regulátor (6) tak, aby bola päťka píly odistená.
- ◆ Presuňte päťku píly (8) do požadovanej polohy. Korešpondujúcu veľkosť hĺbky rezu si môžete prečítať na odmerke (5).
- ◆ Pritiahnite poistný regulátor tak, aby bola päťka píly zaistená v nastavenej polohe.

Zapnutie a vypnutie

- ◆ Náradie zapnete tak, že poistné tlačidlo (2) presunieme do polohy odistené a stlačíme hlavný vypínač zap/vyp (1).
- ◆ Ak chcete náradie vypnúť, uvoľnite hlavný spínač.

Pílenie

- ◆ Náradie držíme vždy oboma rukami.
- ◆ Pred začatím rezania nechajte pár sekúnd kmitať pílový list naprázdno.
- ◆ Pri rezaní tlačte na náradie len ľahko.
- ◆ Pracujte s pätkou píly pritlačenou k polotovaru.

Odsávanie prachu (obr. G)

Na pripojenie vysávača alebo odsávača prachu k náradiu je nutné použiť adaptér. Tento adaptér si môžete zakúpiť u najbližšieho značkového predajcu Black & Decker.

- ◆ Adaptér (23) nasadíte na otvor na odsávanie prachu (15).
- ◆ Pripojte k adaptéru hubicu vysávača.

Rady na optimálne využitie

- ◆ Štiepeniu okrajov rezu zabránite tak, že budete prevádzať rez z tej strany polotovaru, kde Vám to tak nevedí.
- ◆ Na minimalizácii štiepenia okrajov rezu, napríklad pri rezaní laminátov, pripevnite k hornej strane polotovaru kus preglejky.

Príslušenstvo

Výkon Vášho náradia závisí tiež od používaného príslušenstva. Príslušenstvo Black & Decker a Piranha dosahuje vysokú kvalitu a zvyšuje výkon Vášho náradia. Použitím tohoto príslušenstva u Vášho náradia dosiahnete tie najlepšie výsledky.

Údržba

Vaše náradie Black&Decker bolo skonštruované tak, aby Vám slúžilo dlhú dobu s minimálnymi nárokmi na údržbu. Dlhodobé bezproblémové fungovanie náradia závisí od jeho riadnej údržby a pravidelného čistenia.

Varovanie! Pred začiatkom akejkoľvek údržby tohto prístroja berte na vedomie nasledovné upozornenia.

- ◆ Vypnite náradie a odpojte prírodný kábel od siete.
- ◆ Alebo vypnite náradie a vyberte z neho akumulátor, ak ide z náradia vytiahnuť.
- ◆ Alebo ak sa nedá akumulátor z náradia vybrať, nechajte náradie v chode, pokiaľ nedôjde k jeho úplnému vybitiu a potom náradie vypnite.
- ◆ Pred čistením odpojte nabíjačku zo siete. Vaša nabíjačka nevyžaduje žiadnu údržbu okrem pravidelného čistenia.
- ◆ Vetracie otvory Vášho prístroja pravidelne čistite mäkkou kefkou alebo suchou handričkou.
- ◆ Pomocou vlhkej handričky pravidelne čistite kryt motora. Nepoužívajte žiadne brúsne alebo rozpúšťacie čistiace prostriedky.

- ◆ Pravidelne otvárajte skľučovadlo a poklepaním odstráňte prach z vnútornej časti náradia (ak má náradie skľučovadlo).

Výmena sieťovej zástrčky (iba Veľká Británia a Írsko)

Ak budete inštalovať novú zástrčku prívodného kábla:

- ◆ Bezpečne odstráňte starú zástrčku.
- ◆ Pripojte hnedý vodič k fázovej svorke novej zástrčky.
- ◆ Modrý vodič pripojte k nulovej svorke.

Varovanie! K uzemňovacej svorke nesmie byť pripojený žiadny vodič. Dodržujte montážne pokyny dodávané s kvalitnými zástrčkami. Odporúčaná poistka: 13 A.

Ochrana životného prostredia



Triedený odpad. Tento prístroj nesmie byť vyhodnený do bežného domáceho odpadu.

Jedného dňa zistíte, že Váš výrobok Black & Decker musíte vymeniť alebo ho už nebudete ďalej používať. V tomto prípade myslíte na ochranu životného prostredia a nevyhadzujte prístroj do domáceho odpadu. Zlikvidujte tento výrobok v triedenom odpade.



Triedený odpad umožňuje recykláciu a opätovné využitie použitých výrobkov a obalových materiálov. Opätovné použitie recyklovaných materiálov pomáha chrániť životné prostredie pred znečistením a znižuje spotrebu surovín.

Miestne zberne odpadov, recyklačné stanice alebo predajne Vám poskytnú informácie o správnej likvidácii elektro odpadov z domácnosti.

Firma Black & Decker poskytuje službu bezplatnej recyklácie výrobkov Black&Decker a akumulátorov po skončení ich životnosti. Ak chcete získať výhody tejto služby, odovzdajte, prosím, Vaše náradie akémukoľvek autorizovanému zástupcovi servisu Black & Decker, ktorý náradie odoberie a zaistí jeho recykláciu.

Miesto Vášho najbližšieho autorizovaného servisu Black & Decker sa dozviete na adrese uvedenej na zadnej strane tohto návodu. Zoznam servisných stredísk Black & Decker a podrobnosti o popredajnom servise nájdete taktiež na internetovej adrese: www.2helpU.com

Technické údaje

	CD601 TYP 2	CD602 TYP 2
Napätie zdroja	V 230	230
Príkon	W 1100	1150
Otáčky naprázdno	min ⁻¹ 5000	5000
Max. hĺbka rezu	mm 55	55
Priemer rezného kotúča	mm 170	170
Vnútorňý priemer pílového kotúča	mm 16	16
Šírka ostria	mm 2.6	2.6
Hmotnosť	kg 4.7	4.7

Hladina akustického tlaku podľa normy EN 60745:

Akustický tlak (L_{pA}) 101 dB(A), odchýlka (K) 3 dB(A)
Akustický výkon (L_{WA}) 112 dB(A), odchýlka (K) 3 dB(A)

Celková úroveň vibrácií (priestorový vektorový súčet) podľa normy EN 60745:

Hodnota vibrácií (a_h) 4,46 m/s², odchýlka (K) 1,5 m/s²

ES Prehlásenie o zhode v rámci EÚ

NARIADENIE PRE STROJOVÉ ZARIADENIA



CD601/CD602

Spoločnosť Black & Decker prehlasuje, že produkty popísané v technických údajoch spĺňajú požiadavky nasledujúcich noriem:

2006/42/EC, EN 60745-1, EN 60745-2-5

Ak chcete získať ďalšie informácie, kontaktujte prosím spoločnosť Black & Decker na nasledujúcej adrese alebo na adresách, ktoré sú uvedené na konci tohto návodu.

Nižšie podpísaná osoba je zodpovedná za zostavenie technických údajov a vydáva toto prehlásenie

v zastúpení spoločnosti Black & Decker.

Kevin Hewitt

Viceprezident pre spotrebiteľskú techniku
Black & Decker Europe, 210 Bath Road, Slough,
Berkshire, SL1 3YD
United Kingdom

15/07/2010

Záruka

Spoločnosť Black & Decker dôveruje kvalite svojho vlastného náradia a poskytuje kupujúcemu mimoriadnu záruku. Táto záruka je nadštandardná a v žiadnom prípade nepoškodzuje Vaše zákonné práva. Táto záruka platí vo všetkých členských štátoch EÚ a Európskej zóny voľného obchodu EFTA.

Ak sa na výrobku Black & Decker objavia, v priebehu 24 mesiacov od zakúpenia, akékoľvek materiálové či výrobné chyby, garantujeme, v snahe o minimalizovanie Vašich starostí, bezplatnú výmenu chybných dielcov, opravu alebo výmenu celého výrobku za nižšie uvedeníých podmienok:

- ◆ Výrobok nebol používaný na obchodné alebo profesionálne účely a nedochádzalo k jeho prenájmu.
- ◆ Výrobok nebol vystavený nesprávnemu použitiu a nebola zanedbaná jeho predpísaná údržba.
- ◆ Výrobok nebol poškodený cudzím zavinením.
- ◆ Neboli vykonávané opravy výrobku inými osobami než pracovníkmi značkového servisu Black & Decker.

Pri uplatňovaní reklamácie je nutné predajcovi alebo servisnému stredisku predložiť doklad o nákupe výrobku. Miesto Vašej najbližšej autorizovanej servisnej pobočky Black & Decker sa dozviete na príslušnej adrese uvedenej na zadnej strane tejto príručky. Zoznam autorizovaných servisov Black & Decker a podrobnosti o popredajnom servise nájdete tiež na internetovej adrese: **www.2helpU.com**

Navštívte našu internetovú adresu **www.blackanddecker.sk** a zaregistrujte si Váš výrobok Black & Decker. Budete tak mať neustále prehľad o nových výrobkoch a špeciálnych ponukách. Ďalšie informácie o značke Black & Decker a o našom výrobnom programe získate na internetovej adrese **www.blackanddecker.sk**

Поздравляем Вас!

Вы выбрали инструмент Black & Decker. Мы приложили максимум усилий, чтобы предложить Вам качественный инструмент по доступной цене. Мы надеемся, что Вы будете получать удовольствие от работы этим инструментом в течение многих лет.

Правила безопасности

Общие правила безопасности при работе с электроинструментами



Внимание! Перед началом работы внимательно прочтите все инструкции по безопасности и руководство по эксплуатации. Несоблюдение всех перечисленных ниже инструкций и правил безопасности может привести к поражению электрическим током, возникновению пожара и/или получению серьезной травмы.

Сохраните все инструкции по безопасности и руководство по эксплуатации для их дальнейшего использования.

Термин „Электроинструмент“ во всех приведенных ниже указаниях относится к Вашему сетевому (с кабелем) электроинструменту или аккумуляторному (беспроводному) электроинструменту.

1. Безопасность рабочего места

- a. **Содержите рабочее место в чистоте и обеспечьте хорошее освещение.** Беспорядок на рабочем месте и его плохое освещение могут привести к несчастному случаю.
- b. **Не используйте электроинструмент, если есть опасность возгорания или взрыва, например, вблизи легко воспламеняющихся жидкостей, газов или пыли.** В процессе работы электроинструмент создает искровые разряды, которые могут воспламенить пыль или горючие пары.
- c. **Во время работы с электроинструментом не подпускайте близко детей или посторонних лиц.** Отвлечение внимания может вызвать у Вас потерю контроля над рабочим процессом.

2. Электробезопасность

- a. **Вилка кабеля электроинструмента должна соответствовать штепсельной розетке. Ни в коем случае не видоизме-**

ните вилку электрического кабеля. Не используйте соединительные штепсели-переходники, если в силовом кабеле электроинструмента есть провод заземления. Использование оригинальной вилки кабеля и соответствующей ей штепсельной розетки уменьшает риск поражения электрическим током.

- b. **Во время работы с электроинструментом избегайте физического контакта с заземленными объектами, такими как трубопроводы, радиаторы отопления, электроплиты и холодильники.** Риск поражения электрическим током увеличивается, если Ваше тело заземлено.
- c. **Не используйте электроинструмент под дождем или во влажной среде.** Попадание воды в электроинструмент увеличивает риск поражения электрическим током.
- d. **Используйте электрический кабель в установленном режиме. Ни в коем случае не используйте кабель для переноски электроинструмента или для вытягивания его вилки из штепсельной розетки. Не подвергайте электрический кабель воздействию высоких температур и смазочных веществ; держите его в стороне от острых кромок и движущихся частей электроинструмента.** Поврежденный или запутанный кабель увеличивает риск поражения электрическим током.
- e. **При работе с электроинструментом на открытом воздухе используйте удлинительный кабель, предназначенный для наружных работ.** Использование кабеля, пригодного для работы на открытом воздухе, снижает риск поражения электрическим током.
- f. **При необходимости работы с электроинструментом во влажной среде используйте источник питания, оборудованный устройством защитного отключения (УЗО).** Использование УЗО снижает риск поражения электрическим током.

3. Личная безопасность

- a. **При работе с электроинструментами будьте внимательны, следите за тем, что Вы делаете, и руководствуйтесь здравым смыслом. Не используйте электроинструмент, если Вы устали, а также находясь под действием алкоголя или понижающих реакцию лекарственных препаратов и других средств.** Малейшая неосторожность при работе с электроин-

струментами может привести к серьезной травме.

- b. **При работе используйте средства индивидуальной защиты. Всегда надевайте защитные очки.** Своевременное использование защитного снаряжения, а именно: пылезащитной маски, ботинок на нескользящей подошве, защитного шлема или противозвучных наушников, значительно снизит риск получения травмы.
 - c. **Не допускайте случайного запуска. Перед тем, как подключить электроинструмент к сети и/или аккумулятору, поднять или перенести его, убедитесь, что выключатель находится в положении “выключено”.** Не переносите электроинструмент с нажатой кнопкой выключателя и не подключайте к сетевой розетке электроинструмент, выключатель которого установлен в положение “включено”. Это может привести к несчастному случаю.
 - d. **Перед включением электроинструмента снимите с него все регулировочные или гаечные ключи.** Регулировочный или гаечный ключ, оставленный закрепленным на вращающейся части электроинструмента, может стать причиной тяжелой травмы.
 - e. **Не допускайте перенапряжения. Всегда твердо стойте на ногах, сохраняя равновесие.** Это позволит Вам не потерять контроль при работе с электроинструментом в непредвиденной ситуации.
 - f. **Одевайтесь соответствующим образом. Во время работы не надевайте свободную одежду или украшения. Следите за тем, чтобы Ваши волосы, одежда или перчатки находились в постоянном отдалении от движущихся частей инструмента.** Свободная одежда, украшения или длинные волосы могут попасть в движущиеся части инструмента.
 - g. **Если электроинструмент снабжен устройством сбора и удаления пыли, убедитесь, что данное устройство подключено и используется надлежащим образом.** Использование устройства пылеудаления значительно снижает риск возникновения несчастного случая, связанного с запыленностью рабочего пространства.
4. **Использование электроинструментов и технический уход**
- a. **Не перегружайте электроинструмент. Используйте Ваш инструмент по назначению.** Электроинструмент работает на-

дежно и безопасно только при соблюдении параметров, указанных в его технических характеристиках.

- b. **Не используйте электроинструмент, если его выключатель не устанавливается в положение включения или выключения.** Электроинструмент с неисправным выключателем представляет опасность и подлежит ремонту.
 - c. **Отключайте электроинструмент от сетевой розетки и/или извлекайте аккумуляторную батарею перед регулированием, заменой принадлежностей или при хранении электроинструмента.** Такие меры предосторожности снижают риск случайного включения электроинструмента.
 - d. **Храните неиспользуемые электроинструменты в недоступном для детей месте и не позволяйте лицам, не знакомым с электроинструментом или данными инструкциями, работать с электроинструментом.** Электроинструменты представляют опасность в руках неопытных пользователей.
 - e. **Регулярно проверяйте исправность электроинструмента. Проверяйте точность совмещения и легкость перемещения подвижных частей, целостность деталей и любых других элементов электроинструмента, воздействующих на его работу. Не используйте неисправный электроинструмент, пока он не будет полностью отремонтирован.** Большинство несчастных случаев являются следствием недостаточного технического ухода за электроинструментом.
 - f. **Следите за остротой заточки и чистотой режущих принадлежностей.** Принадлежности с острыми кромками позволяют избежать заклинивания и делают работу менее утомительной.
 - g. **Используйте электроинструмент, аксессуары и насадки в соответствии с данным Руководством и с учетом рабочих условий и характера будущей работы.** Использование электроинструмента не по назначению может создать опасную ситуацию.
5. **Техническое обслуживание**
- a. **Ремонт Вашего электроинструмента должен производиться только квалифицированными специалистами с использованием идентичных запасных частей.** Это обеспечит безопасность Вашего электроинструмента в дальнейшей эксплуатации.

Дополнительные меры безопасности при работе с электроинструментами



Внимание! Дополнительные меры безопасности при работе пилами

- a. **Держите руки подальше от области резания и пильного диска. Держите вторую руку на дополнительной рукоятке или на корпусе редуктора.** Если обе руки заняты пилой, они не могут попасть под зубья диска.
- b. **Не придерживайте заготовку снизу.** Кожух не сможет защитить Вас от зубьев с нижней стороны заготовки.
- c. **Регулируйте глубину пропила по толщине заготовки.** Пильный диск может выходить с другой стороны заготовки не более, чем на один режущий зуб.
- d. **Ни в коем случае не распиливайте заготовку, держа её в руках или на колене. Закрепляйте заготовку на устойчивой платформе.** Очень важно, чтобы заготовка имела надежную опору. Это значительно снижает риск получения травмы, заедания диска или потери управления.
- e. **Держите электроинструмент за изолированные поверхности при работе в местах, где полотно может задеть скрытую проводку или кабель подключения к электросети.** Контакт с находящимся под напряжением проводом делает непокрытые изоляцией металлические части электроинструмента также «живыми», что создает опасность поражения электрическим током.
- f. **При продольном распиливании, всегда пользуйтесь направляющей планкой или параллельной направляющей.** Это повышает точность реза и исключает заедание пильного диска.
- g. **Всегда используйте пильные диски с посадочными отверстиями соответствующего диаметра и формы (ромбовидные, а не круглые).** Диски которые не подходят к шпинделю пилы, будут работать неровно, что может привести к потере управления.
- h. **Ни в коем случае не используйте поврежденные или неподходящие шайбы или болт.** Ваша пила снабжена специально предназначенными для неё шайбами и болтом, для оптимальной производительности и максимальной безопасности работы.

Дополнительные меры безопасности при работе пилами всех типов

Причины обратного удара и действия оператора по его предупреждению:

- ◆ обратный удар является внезапной реакцией заземленного, застрявшего или смещенного пильного диска, которая приводит к неконтролируемому выходу пилы из заготовки назад в сторону оператора;
- ◆ когда пильный диск защемляется или заедает в узком пропиле, он мгновенно останавливается и под воздействием двигательной реакции инструмент внезапно подается назад в сторону оператора.
- ◆ если пильный диск заедает или смещается в пропиле, зубья на задней кромке могут врезаться в поверхность древесины, в результате чего диск может выскочить из пропила назад в сторону оператора.

Обратный удар является результатом использования инструмента не по назначению и/или неправильных действий оператора и условий работы, и его можно избежать, соблюдая следующие меры безопасности:

- a. **Крепко держите пилу двумя руками и следите за их положением, чтобы эффективно противостоять воздействию обратного удара. Располагайтесь по любую сторону от пилы, но ни в коем случае на одной линии с пилой.** Обратный удар может вызвать движение пилы назад, но оператор может контролировать силу обратного удара, если он соблюдает соответствующие меры предосторожности.
- b. **При заклинивании пильного диска, или если по какой-либо причине Вы хотите прекратить резание, отпустите выключатель и удерживайте пилу в пропиле неподвижно, пока пильный диск не остановится. Ни в коем случае не пытайтесь вытащить пилу из заготовки или тянуть её назад, пока пильный диск ещё вращается, так как это может вызвать обратный удар.** Выясните причину заедания и примите меры по её устранению.
- c. **При повторном включении пилы в заготовке, расположите пильный диск по центру пропила и убедитесь, что зубья принадлежности не касаются материала заготовки.** В противном случае, пильный диск может подняться или выскочить обратно из заготовки при повторном включении пилы.

- d. **Размещайте панели больших размеров на упорах для минимизации риска защемления пильного диска и обратного удара.** Большие панели имеют тенденцию прогибаться под тяжестью собственного веса. Устанавливайте упоры под панелью с двух сторон, около линии реза и края панели.
- e. **Не используйте тупые или поврежденные пильные принадлежности.** Незаточенные или неправильно заточенные зубья выполняют узкие пропилы, что ведет к чрезмерному трению, заеданию диска и обратному удару.
- f. **Рычаги регулировки глубины пропила и угла наклона должны надежно затягиваться перед выполнением реза.** Если в ходе резания регулировки диска смещаются, это может привести к заеданию диска и обратному удару.
- g. **Будьте особенно внимательны при сквозном врезании в стены и другие сплошные поверхности.** Движущаяся пила может врезаться в объекты, которые могут вызвать обратный удар.

Инструкции по технике безопасности при работе дисковыми пилами с внешним и внутренним маятниковыми защитными кожухами и буксирным защитным кожухом

- a. **Перед каждым использованием проверьте правильность закрытия нижнего защитного кожуха. Не работайте пилой, если нижний защитный кожух не движется свободно и мгновенно не закрывается. Ни в коем случае не фиксируйте нижний защитный кожух в открытом положении при помощи зажимов или обвязки.** При случайном падении, нижний защитный кожух может погнуться. Поднимите нижний защитный кожух при помощи выдвижной рукоятки и убедитесь, что он двигается свободно и не задевает диск или любую другую деталь при всех углах и глубине реза.
- b. **Проверяйте срабатывание пружины нижнего защитного кожуха. Если защитный кожух и пружина не работают должным образом, их необходимо исправить перед включением пилы.** Нижний защитный кожух может срабатывать медленно из-за поврежденных деталей, скопления смазки или опилок.
- c. **Отводите нижний защитный кожух вручную только при выполнении специальных резов, например "сквозного врезания" и "резания композитных материалов".** Под-

нимите нижний защитный кожух при помощи выдвижной рукоятки и, как только диск врежется в материал, опустите его. При выполнении резов в остальных материалах, нижний защитный кожух срабатывает автоматически.

- d. **Всегда смотрите, что нижний защитный кожух закрывает диск, перед тем, как положить пилу на верстак или пол.** Незакрытый, вращающийся по инерции диск заставит пилу двигаться назад, разрезая все, что попадет на пути. Учитывайте время, которое требуется для остановки пилы после освобождения выключателя.

Дополнительные меры безопасности при работе пилами всех типов, оснащенными расклинивающим ножом

- a. **Используйте расклинивающий нож, соответствующий полотну, которым Вы пользуетесь.** Чтобы расклинивающий нож работал эффективно, он должен быть толще, чем лезвие, но тоньше, чем зубья полотна.
- b. **Регулируйте расклинивающий нож, следуя указаниям данного руководства по эксплуатации.** Неправильные размеры, расположение и регулировка расклинивающего ножа делают его неэффективным для предотвращения обратного удара.
- c. **Всегда используйте расклинивающий нож, кроме операции сквозного врезания. Обязательно устанавливайте расклинивающий нож на место после выполнения сквозной врезки.** Расклинивающий нож создает помехи в ходе сквозного врезания, что может вызвать обратный удар.
- d. **Чтобы расклинивающий нож работал, он должен входить в заготовку.** Расклинивающий нож неэффективен для предотвращения обратного удара при выполнении коротких резов.
- e. **Не работайте пилой, если расклинивающий нож погнут.** Даже малейшая помеха может снизить скорость закрытия защитного кожуха.

Остаточные риски

Следующие риски являются характерными при использовании пил:

- Травмы в результате касания вращающихся частей.

Несмотря на соблюдение соответствующих инструкций по технике безопасности и использование предохранительных устройств, некото-

рые остаточные риски невозможно полностью исключить. К ним относятся:

- Ухудшение слуха.
- Риск несчастных случаев, вызванных незакрытыми частями вращающегося режущего диска.
- Риск получения травмы при смене диска.
- Риск защемления пальцев при снятии защитных кожухов.
- Ущерб здоровью в результате вдыхания пыли от распила древесины, в особенности, дуба, бука и ДВП.

Пильные диски

- ◆ Не используйте диски меньшего или большего диаметра, чем рекомендовано. См. скорость вращения дисков в технических характеристиках. Используйте только указанные в данном руководстве диски, соответствующие стандарту EN 847-1.
- ◆ **Внимание!** Никогда не используйте абразивные диски.

Безопасность посторонних лиц

- ◆ **Внимание!** При работе с инструментом используйте средства защиты органов слуха.
- ◆ Использование инструмента физически или умственно неполноценными людьми, а также детьми и неопытными лицами допускается только под контролем ответственного за их безопасность лица.
- ◆ Не позволяйте детям играть с электроинструментом.

Вибрация

Значения уровня вибрации, указанные в технических характеристиках инструмента и декларации соответствия, были измерены в соответствии со стандартным методом определения вибрационного воздействия согласно EN60745 и могут использоваться при сравнении характеристик различных инструментов. Приведенные значения уровня вибрации могут также использоваться для предварительной оценки величины вибрационного воздействия.

Внимание! Значения вибрационного воздействия при работе с электроинструментом зависят от вида работ, выполняемых данным инструментом, и могут отличаться от заявленных значений. Уровень вибрации может превышать заявленное значение.

При оценке степени вибрационного воздействия для определения необходимых защитных мер

(2002/44/ЕС) для людей, использующих в процессе работы электроинструменты, необходимо принимать во внимание действительные условия использования электроинструмента, учитывая все составляющие рабочего цикла, в том числе время, когда инструмент находится в выключенном состоянии, время, когда он работает без нагрузки, а также время его запуска и отключения.

Маркировка инструмента

На инструменте имеются следующие знаки:



Внимание! Полное ознакомление с руководством по эксплуатации снизит риск получения травмы.

Электробезопасность



Данный электроинструмент защищен двойной изоляцией, исключаяющей потребность в заземляющем проводе. Следите за напряжением электрической сети, оно должно соответствовать величине, обозначенной на информационной табличке электроинструмента.

- ◆ Во избежание несчастного случая, замена поврежденного кабеля питания должна производиться только на заводе-изготовителе или в авторизованном сервисном центре Black & Decker.

Составные части

1. Выключатель
2. Кнопка блокировки
3. Основная рукоятка
4. Вспомогательная рукоятка
5. Шкала наклона
6. Зажим для настройки наклона
7. Параллельная направляющая
8. Подошва
9. Пильный диск
10. Подвижный защитный кожух
11. Расклинивающий нож
12. Шкала глубины резания
13. Зажим для настройки глубины резания
14. Гаечный ключ
15. Патрубок для опилок

Сборка и настройка

Внимание! Перед тем, как приступить к описанным операциям, убедитесь, что инструмент выключен, отсоединен от сети и что диск остановился.

Установка и снятие пильного диска (рис. А)

Предупреждение! Данный способ смены режущего диска подходит только для дисков с отверстием (16), при помощи которого диск фиксируется при установке или снятии.

Снятие

- ◆ Вставьте отвертку в отверстие (16) чтобы предотвратить вращение пильного диска.
- ◆ Открутите фиксирующий диск болт (17) вращая его против часовой стрелки используя гаечный ключ (14)
- ◆ Удалите внешний фланец (18)
- ◆ Снимите диск (9)

Установка

- ◆ Наденьте диск на внутренний фланец (19), при этом убедитесь, что зубья диска направлены в ту же сторону, что и стрелка на инструменте.
- ◆ Установите внешний фланец (18) на шпindelю выступающей частью от диска.
- ◆ Наживите болт (17).
- ◆ Вставьте отвертку в отверстие (16) чтобы предотвратить вращение пильного диска.
- ◆ Надежно затяните болт (17) вращая его по часовой стрелке используя гаечный ключ (14)
- ◆ Настройте расклинивающий нож, как описано ниже.

Внимание! После установки режущего диска всегда проверяйте подвижный защитный кожух, чтобы убедиться, что ничто не мешает его движению.

Установка и снятие режущего диска (Рис. В)

Предупреждение! Данный способ смены режущего диска подходит только для дисков, не имеющих отверстие (16), при помощи которого диск фиксируется при установке или снятии.

Снятие

- ◆ Установите глубину пропила 10 мм.
- ◆ Положите деревянную доску на пол, затем поместите пилу на переднем крае доски, как показано на рис. В, для предотвращения вращения диска.
- ◆ Используя гаечный ключ (14), входящий в комплект поставки, отвинтите и удалите стопорный винт (17), поворачивая его против часовой стрелки и одновременно оказывая плотное давление на пилу.
- ◆ Удалите внешнюю гайку (18).
- ◆ Снимите пильный диск (9).

Установка

- ◆ Установите режущий диск на внутренней гайке (19), убедившись, что стрелки на диске и инструменте указывают в одном направлении.
- ◆ Установите наружную гайку (18) на шпindelю, чтобы выпуклая сторона была направлена в сторону от диска.
- ◆ Вставьте в отверстие стопорный винт (17) и слегка затяните его вручную.
- ◆ Положите деревянную доску на пол, затем поместите пилу на переднем крае доски, как показано на рис. В, для предотвращения вращения диска.
- ◆ Используя гаечный ключ (14), входящий в комплект поставки, крепко затяните стопорный винт (17), поворачивая его по часовой стрелке, одновременно оказывая плотное давление на пилу.
- ◆ Отрегулируйте расклинивающий нож, как описано ниже.

Внимание! После установки режущего диска всегда проверяйте подвижный защитный кожух, чтобы убедиться, что ничто не мешает его движению.

Настройка расклинивающего ножа (рис. С)

Расклинивающий нож предупреждает защемление полотна во время продольного резания. Расклинивающий нож нужно настраивать каждый раз после замены полотна.

- ◆ Ослабьте винты (20), удерживая расклинивающий нож.
- ◆ Настройте расклинивающий нож (11) как указано.

Зазор между краем зубьев и расклинивающим ножом должен быть 2-3 мм.

Нож должен быть выше нижнего края зубьев на 2-3 мм.

- ◆ Затяните винты.

Установка и снятие параллельной направляющей (рис. D)

Параллельная направляющая используется для резания по прямой линии параллельно к краю изделия.

Установка

- ◆ Ослабьте зажим (21).
- ◆ Вставьте параллельную направляющую (7) через отверстия (22).
- ◆ Установите направляющую в необходимой позиции.
- ◆ Затяните зажим.

Снятие

- ◆ Ослабьте зажим (21).
- ◆ Снимите параллельную направляющую с инструмента.

Использование

Этот инструмент может использоваться как в правой, так и в левой позициях.

Настройка глубины резания (рис. Е)

Глубина устанавливается в зависимости от толщины изделия. Она должна превышать толщину изделия приблизительно на 2 мм.

- ◆ Ослабьте зажим (13) чтобы разблокировать подошву.
- ◆ Установите подошву (8) на нужную Вам позицию. Соответствующую глубину можно увидеть на шкале (12).
- ◆ Закрепите зажим, чтобы заблокировать подошву.

Установка угла наклона (рис. F)

Этот инструмент может работать под углом от 0° до 45°.

- ◆ Ослабьте зажим (6) чтобы разблокировать подошву.
- ◆ Установите подошву (8) на нужный Вам угол. Соответствующий угол наклона можно отмерить по шкале (5).
- ◆ Закрепите зажим, чтобы заблокировать подошву.

Включение и выключение

- ◆ Чтобы включить инструмент, переведите кнопку блокировки (2) в позицию разблокировки и нажмите на выключатель.
- ◆ Чтобы выключить инструмент, отпустите клавишу выключателя.

Резание

- ◆ Всегда держите инструмент двумя руками.
- ◆ Применяйте только легкое давление на инструмент.
- ◆ Всегда прижимайте подошву к изделию.
- ◆ Дайте диску несколько секунд свободно вращаться перед началом резания.

Удаление опилок (рис. G)

Для подключения пылесоса или пылесборника требуется адаптер. Его можно приобрести дополнительно.

- ◆ Вставьте адаптер (23) в патрубков (15)
- ◆ Подсоедините шланг пылесоса к адаптеру.

Советы для оптимального использования

- ◆ Так как некоторого расщепления вдоль линии

резания поверх изделия невозможно избежать, положите заготовку лицевой стороной вниз.

- ◆ Чтобы минимизировать расщепление (например: при резании ламината), прижмите полосу фанеры поверх изделия.

Принадлежности

Производительность Вашего инструмента зависит от используемых принадлежностей. Принадлежности Black & Decker и Piranha сконструированы в соответствии с высокими стандартами и изготовлены, чтобы увеличить производительность Вашего инструмента. Используя эти принадлежности, Вы получите самые лучшие результаты от Вашего инструмента.

Техническое обслуживание

Ваш электрический/аккумуляторный инструмент рассчитан на работу в течение продолжительного периода времени при минимальном техническом обслуживании. Срок службы электроинструмента и его надежность увеличивается при правильном уходе и регулярной чистке.

Внимание! Перед проведением технического обслуживания электрического/аккумуляторного инструмента:

- ◆ Выключите инструмент и отключите его от источника питания.
- ◆ Или выключите инструмент и выньте из него аккумуляторную батарею, если инструмент оснащен съемной аккумуляторной батареей.
- ◆ Или, в случае если инструмент оснащен встроенной аккумуляторной батареей, полностью разгрузите батарею и выключите инструмент.
- ◆ Перед чисткой зарядного устройства отключите его от источника питания. Ваше зарядное устройство не требует никакого дополнительного технического обслуживания, кроме регулярной чистки.
- ◆ Регулярно очищайте вентиляционные отверстия электроинструмента мягкой щеткой или сухой тканью.
- ◆ Регулярно очищайте корпус двигателя влажной тканью. Не используйте абразивные чистящие средства, а также чистящие средства на основе растворителей.
- ◆ Регулярно раскрывайте патрон (при наличии) и вытряхивайте из него всю накопившуюся пыль.

Защита окружающей среды



Раздельный сбор. Данное изделие нельзя утилизировать вместе с обычными бытовыми отходами.

Если однажды Вы захотите заменить Ваш электроинструмент Black & Decker или Вы больше в нем не нуждаетесь, не выбрасывайте его вместе с бытовыми отходами. Отнесите изделие в специальный приемный пункт.



Раздельный сбор изделий с истекшим сроком службы и их упаковок позволяет пускать их в переработку и повторно использовать. Использование переработанных материалов помогает защищать окружающую среду от загрязнения и снижает расход сырьевых материалов.

Местное законодательство может обеспечить сбор старых электроинструментов отдельно от бытового мусора на муниципальных свалках отходов, или Вы можете сдавать их в торговом предприятии при покупке нового изделия.

Фирма Black & Decker обеспечивает прием и переработку отслуживших свой срок изделий Black & Decker. Чтобы воспользоваться этой услугой, Вы можете сдать Ваше изделие в любой авторизованный сервисный центр, который собирает их по нашему поручению.

Вы можете узнать место нахождения Вашего ближайшего авторизованного сервисного центра, обратившись в Ваш местный офис Black & Decker по адресу, указанному в данном руководстве по эксплуатации. Кроме того, список авторизованных сервисных центров Black & Decker и полную информацию о нашем послепродажном обслуживании и контактах Вы можете найти в интернете по адресу: www.2helpU.com

Технические характеристики

		CD601 ТИП 2	CD602 ТИП 2
Напряжение электросети	В перем. тока	230	230
Потребляемая мощность	Вт	1,100	1,150
Число оборотов (х. х.)	об/мин	5,000	5,000
Глубина пропила	мм	55	55

Диаметр диска	мм	170	170
Посадочный диаметр диска	мм	16	16
Ширина пропила	мм	2.6	2.6
Вес	кг	4.7	4.7

Уровень звукового давления в соответствии с EN 60745:

Звуковое давление (L_{pA}) 101 дБ(А), погрешность (К) 3 дБ(А)

Акустическая мощность (L_{WA}) 112 дБ(А), погрешность (К) 3 дБ(А)

Суммарная вибрация (по трем осям) в соответствии с EN 60745:

Вибрационное воздействие (a_n) 4.46 м/с², погрешность (К) 1,5 м/с²

Декларация соответствия ЕС ДИРЕКТИВА ПО МЕХАНИЧЕСКОМУ ОБОРУДОВАНИЮ



CD601/CD602

Black & Decker заявляет, что продукты, обозначенные в разделе «Технические характеристики», полностью соответствуют стандартам: 2006/42/EC, EN 60745-1, EN 60745-2-5

За дополнительной информацией обращайтесь по указанному ниже адресу или по адресу, указанному на последней странице руководства.

Нижеподписавшееся лицо полностью отвечает за соответствие технических данных и делает это заявление от имени фирмы Black & Decker.

Кевин Хьюитт
(Kevin Hewitt)

Вице-президент отдела
мирового проектирования
Black & Decker Europe, 210 Bath Road, Slough,
Berkshire, SL1 3YD
United Kingdom

15/07/2010

БЛЭК ЭНД ДЕККЕР

гарантийные условия

Уважаемый покупатель!

1. Поздравляем Вас с покупкой высококачественного изделия BLACK & DECKER и выражаем признательность за Ваш выбор.
 - 1.1. Надежная работа данного изделия в течение всего срока эксплуатации - предмет особой заботы наших сервисных служб. В случае возникновения каких-либо проблем в процессе эксплуатации изделия рекомендуем Вам обращаться только в авторизованные сервисные организации, адреса и телефоны которых Вы сможете найти в Гарантийном талоне или узнать в магазине. Наши сервисные станции - это не только квалифицированный ремонт, но и широкий выбор запчастей и принадлежностей.
 - 1.2. При покупке изделия требуйте проверки его комплектности и исправности в Вашем присутствии, инструкцию по эксплуатации и заполненный Гарантийный талон на русском языке. При отсутствии у Вас правильно заполненного Гарантийного талона мы будем вынуждены отклонить Ваши претензии по качеству данного изделия.
 - 1.3. Во избежание недоразумений убедительно просим Вас перед началом работы с изделием внимательно ознакомиться с инструкцией по его эксплуатации.
 - 1.4. Обращаем Ваше внимание на исключительно бытовое назначение данного изделия.
2. Правовой основой настоящих гарантийных условий является действующее Законодательство и, в частности, Закон "О защите прав потребителей".
3. Гарантийный срок на данное изделие составляет 24 месяца и исчисляется со дня продажи через розничную торговую сеть. В случае устранения недостатков изделия, гарантийный срок продлевается на период, в течение которого оно не использовалось.
4. Срок службы изделия - 5 лет (минимальный, установленный в соответствии с Законом "О защите прав потребителей").
5. Наши гарантийные обязательства распространяются только на неисправности, выявленные в течение гарантийного срока и обусловленные производственными и конструктивными факторами.
6. Гарантийные обязательства не распространяются:
 - 6.1. На неисправности изделия, возникшие в результате:
 - 6.1.1. Несоблюдения пользователем предписаний инструкции по эксплуатации изделия.
 - 6.1.2. Механического повреждения, вызванного внешним ударным или любым иным воздействием.
 - 6.1.3. Использования изделия в профессиональных целях и объемах, в коммерческих целях.
 - 6.1.4. Применения изделия не по назначению.
 - 6.1.5. Стихийного бедствия.
 - 6.1.6. Неблагоприятных атмосферных и иных внешних воздействий на изделие, таких как дождь, снег, повышенная влажность, нагрев, агрессивные среды, несоответствие параметров питающей электросети указанным на инструменте.
 - 6.1.7. Использования принадлежностей, расходных материалов и запчастей, не рекомендованных или не одобренных производителем.
 - 6.1.8. Проникновения внутрь изделия посторонних предметов, насекомых, материалов или веществ, не являющихся отходами, сопровождающими применение по назначению, такими как стружка опилки и пр. .
 - 6.2. На инструменты, подвергавшиеся вскрытию, ремонту или модификации вне уполномоченной сервисной станции.
 - 6.3. На принадлежности, запчасти, вышедшие из строя вследствие нормального износа, и расходные материалы, такие как приводные ремни, угольные щетки, аккумуляторные батареи, ножи, пилки, абразивы, пильные диски, сверла, буры и т. п. .
 - 6.4. На неисправности, возникшие в результате перегрузки инструмента, повлекшей выход из строя электродвигателя или других узлов и деталей. К безусловным признакам перегрузки изделия относятся, помимо прочих: появление цветов побежалости, деформация или оплавление деталей и узлов изделия, потемнение или обугливание изоляции проводов электродвигателя под воздействием высокой температуры.



Black & Decker ГмбХ, Black & Decker
Штрассе, 40, 65510 Идштайн, Германия.

ME 77

03 июня 1999 г.

Передбачене використання

Ваша циркулярна пила виробництва фірми Black & Decker розроблена для розпилювання деревини та виробів з дерева. Цей інструмент призначений тільки для побутового використання.

Інструкції з техніки безпеки

Загальні правила безпеки для електричного інструменту



Попередження! Перед використанням інструменту уважно прочитайте всі попередження та інструкції. Невиконання попереджень та інструкцій, наведених нижче, може призвести до ураження електричним струмом, пожежі та/або серйозних травм.

Зберігайте це керівництво для отримання інформації в подальшому.

Термін „електричний інструмент” в усіх попередженнях, перерахованих нижче, стосується використовуваних Вами інструментів, що працюють від мережі енергоспоживання (з використанням електричного кабелю) або акумуляторів (без кабелю).

1. Безпека робочої зони

- a. Тримайте робочу зону чистою та добре освітленою. Неупорядковані та темні робочі зони збільшують ймовірність нещасного випадку.
- b. **Не використовуйте електричні інструменти у вибухонебезпечній атмосфері, наприклад, в присутності вогнебезпечних рідин, газів та пилу.** Електричні інструменти створюють іскри, що можуть запалити пил або випаровування.
- c. **При використанні електричного інструменту діти та інші сторонні люди мають знаходитись подалі від інструменту.** Відвернення уваги може призвести до втрати контролю.

2. Електрична безпека

- a. **Вилка електричного інструменту має відповідати розетці. Ніколи ніяким чином не змінюйте вилку інструменту. Не використовуйте адаптерів із заземленими електричними інструментами.** Немодифіковані вилки та розетки, що підходять до них, зменшують ризик ураження електричним струмом.

- b. **Уникайте контакту тіла з заземленими поверхнями, такими як труби, радіатори, плити та холодильники.** Якщо ваше тіло заземлене, збільшується ризик ураження електричним струмом.
- c. **Не залишайте електричні інструменти під дощем або в умовах підвищеної вологості.** Вода, що потрапляє в електричний інструмент, підвищує ризик ураження електричним струмом.
- d. **Не використовуйте шнур не за призначенням. Ніколи не використовуйте шнур для перенесення, перетягування та відключення інструменту від мережі живлення. Тримайте шнур подалі від високих температур, мастила, гострих предметів та рухомих деталей.** Пошкоджений або заплутаний шнур збільшує ризик ураження електричним струмом.
- e. **При використанні електричного інструменту на вулиці, використовуйте подовжуючий шнур, що підходить для використання на вулиці.** Використання шнуру, призначеного для роботи на вулиці, знижує ризик ураження електричним струмом.
- f. **Якщо неможливо уникнути використання електричного інструменту в умовах підвищеної вологості, використовуйте живлення, захищене пристроєм залишкового струму (RCD).** Використання RCD знижує ризик ураження електричним струмом.

3. Особиста безпека

- a. **Будьте в стані готовності, дивіться, що ви робите, та використовуйте загальний глузд, коли ви працюєте з електричним інструментом. Не використовуйте електричний інструмент, коли ви втомлені або знаходитесь під впливом алкоголю, наркотиків або медичних препаратів.** Втрата уваги при роботі з електричним інструментами може призвести до серйозних травм.
- b. **Використовуйте особисті засоби безпеки. Завжди використовуйте засоби захисту очей.** Захисне оснащення, як протипилова маска, неслизькі черевики, твердий капелюх та засоби захисту вух, що використовуються у відповідних умовах, знижують ризик травм.
- c. **Уникнення випадкового запуску. Переконайтесь в тому, що вимикач знаходиться в позиції Вкл. перед підключенням до джерела живлення та/або акумулятора, переміщенням або перенесенням пристрою.**

Перенесення інструментів з пальцем на перемикачі або підключення живлення до інструменту, перемикач якого знаходиться в положенні Вкл., може призвести до нещасного випадку.

- d. **Зніміть всі налаштувальні ключі або гайкові ключі перед тим, як вмикати електричний інструмент.** Гайковий ключ, що залишився прикріпленим до якоїсь деталі електричного пристрою, що обертається, може призвести до травм.
 - e. **Не перенапружуйтеся. Завжди утримуйте правильну постановку ніг і рівновагу.** Це дозволяє краще контролювати інструмент у несподіваних ситуаціях.
 - f. **Вдягайтеся відповідним чином. Не вдягайте вільний одяг чи прикраси.** Тримайте ваше волосся, одяг та рукавички подалі від рухомих деталей. Вільний одяг, прикраси або довге волосся може зачепитися за рухомі деталі.
 - g. **Якщо передбачені пристрої для підключення до засобів виділення та збирання пилу, переконайтеся, що вони правильно підключені та використовуються.** Використання таких пристроїв зменшує ризик виникнення небезпечних ситуацій, що пов'язані з потраплянням пилу.
4. **Використання та догляд за електричним інструментом**
- a. **Не використовуйте надмірні зусилля при роботі з інструментом. Використовуйте відповідний електричний інструмент для вашої задачі.** Правильно обраний інструмент виконає завдання краще та безпечніше за умов, для яких він був розроблений.
 - b. **Не використовуйте інструмент, вмикач якого не вмикає тане вимикає його.** Будь-який електричний інструмент, який не може управлятися вмикачем, є небезпечним і має бути відремонтований.
 - c. **Відключіть вилку від джерела живлення та/або витягніть акумулятор перед тим, як робити будь-які налаштування, змінювати додаткове обладнання чи перед зберіганням інструменту.** Ці профілактичні заходи зменшують ризик випадкового запуску електричного інструменту.
 - d. **Бережіть вимкнені електричні інструменти від дітей та не дозволяйте особам, що не знайомі з електричним інструментом або цими інструкціями використовувати електричний інструмент.** Електричні інструменти є небезпечними, якщо вони

використовуються некваліфікованими користувачами.

- e. **Технічне обслуговування електричних інструментів. Перевіряйте на відсутність вирівнювання або заїдання рухомих деталей, ушкоджених частин та інших умов, що можуть впливати на роботу електричного інструменту. Якщо є ушкодження, відремонтуйте інструмент перед використанням.** Багато нещасних випадків є результатом того, що інструмент не пройшов відповідного технічного обслуговування.
 - f. **Тримайте ріжучі інструменти гострими та чистими.** Правильно доглянуті ріжучі інструменти з гострими ріжучими кромками мають меншу ймовірність заїдання, та ними легше керувати.
 - g. **Використовуйте електричний інструмент, додаткові інструменти та деталі інструменту тощо у відповідності до цих інструкцій, зважаючи на умови використання та роботу, яка має бути виконана.** Використання електричних інструментів не за призначенням може призвести до виникнення небезпечних ситуацій.
5. **Обслуговування**
- a. **Надавайте Ваш електричний інструмент для обслуговування кваліфікованим спеціалістом з ремонту та використовуйте тільки ідентичні заміні деталі.** Це забезпечить безпеку електричного пристрою, що обслуговується.

Додаткові попередження з техніки безпеки для електричних інструментів



Попередження! Додаткові попередження з техніки безпеки для пилок

- a. **Тримайте руки подалі від ріжучої області та леза. Тримайте другу руку на додатковій ручці або корпусі мотору.** Якщо обидві руки тримають ножівку, Ви не поріжетеся пильним полотном.
- b. **Не намагайтесь робити щось під заготівкою, що оброблюється.** Захисні засоби не захистять Вас від леза, якщо Ви знаходитесь під заготівкою.
- c. **Налаштуйте глибину розтину відповідно до товщі заготівки.** Необхідно, щоб під заготівкою було видно менше, ніж весь зубець леза.

- d. Ніколи не тримайте заготовку, що розрізається, в руках або на нозі. Закріпіть заготовку на стабільній платформі. Необхідно добре закріпити заготовку, щоб звести до мінімуму можливість контакту з тілом, заїдання леза або втрати контролю.
- e. Тримайте електричний інструмент за ізольовану поверхню при виконанні операцій, під час яких можливе зіткнення із схованими дротами або власним дротом ножівки. Контакт із кабелем під напругою зробить металеві деталі електричного інструменту також зарядженими та може призвести до ураження струмом оператора.
- f. При подовжньому розпилюванні використовуйте направляючу планку або спрямовувач на краї заготовки. Це дозволить підвищити точність розтину та зменшити можливість заїдання леза.
- g. Завжди використовуйте пильні полотна відповідного розміру та форми отворів опрацювання (ромбовидні або круглі). Пильні полотна, що не відповідають кріпильним пристосуванням ножівки, будуть працювати несиметрично відповідно центру, що може призвести до втрати контролю.
- h. Ніколи не використовуйте пошкоджені або невірні шайби та гвинти для кріплення пильного полотна. Шайби та гвинти були розроблені спеціально для Вашої ножівки для оптимальної та безпечної роботи.

Додаткові інструкції з техніки безпеки для всіх ножівок

Причини та попередження віддачі:

- ◆ віддача - це раптова реакція на затиснення, заїдання або розрегулювання пильного полотна, що викликає відхилення неконтрольованої ножівки у напрямку від заготовки до оператора;
- ◆ якщо пильне полотно заїло або затиснене при розрізанні, воно зупиняється та мотор викликає швидкий рух пристрою назад на оператора;
- ◆ якщо пильне полотно викривлюється або втрачає напрямок розтину, зубці на задньому кінці полотна можуть ввійти в поверхню дерева, що призведе до підстрибування пильного полотна на оператора.

Віддача є результатом невірного використання та/або некоректної роботи або невідповідних умов роботи, яких можна уникнути, використовуючи відповідні заходи, наведені нижче.

- a. Тримайте ножівку міцно обома руками та розташуйте руки так, щоб можна було надати опір силам віддачі. Розташуйте тіло з однієї сторони леза, але не на одній лінії з лезом. Віддача може призвести до відхилення ножівки назад, але сили віддачі можуть бути під контролем оператора, якщо будуть вжиті відповідні заходи.
- b. Якщо пильне полотно затиснене або необхідно перервати розпилювання за якоїсь причини, відпустіть вмикач та утримуйте ножівку нерухомо, доки пильне полотно повністю не зупиниться. Ніколи не намагайтесь витягнути ножівку з розтину або потягти на себе, коли пильне полотно рухається, тому що може виникнути віддача. Проаналізуйте та вживайте необхідних заходів для уникнення затиснення полотна.
- c. При поновленні розпилювання заготовки вирівняйте полотно ножівки в зарубці та перевірте, що зубці не входять в зціплення з матеріалом. Якщо пильне полотно затиснене, воно може піднятися та може виникнути віддача при поновленні роботи ножівки.
- d. Закріплюйте великі панелі для зменшення ризику затиснення полотна та віддачі. Великі панелі можуть прогинатися під власною вагою. Опори необхідно розташувати під панеллю з обох боків, біля лінії розтину та біля краю панелі.
- e. Не використовуйте тупі та пошкоджені пильні полотна. Незагострені та невірно встановлені пильні полотна утворюють вузьку зарубку, що призводить до надмірного тертя, затиснення полотна та віддачі.
- f. Перед розпилювання необхідно міцно та надійно встановити глибину та стопорні важелі налаштування фаски. Якщо налаштування пильного полотна зсуваються під час розпилювання, може виникнути затиснення або віддача.
- g. Будьте особливо уважні при виконанні "врізання" в існуючі стіни або інші місця, де не видно, що знаходиться під поверхнею. Пильне полотно може розрізати предмет, що спричинить віддачу.

Інструкції з техніки безпеки для дискових пилок із зовнішнім та внутрішнім хитними захисними кожухами та із захисним кожухом тягнучого типу

- a. Перед використанням перевірте, щоб нижнє захисне огороження було зафіксоване

відповідним чином. Не використовуйте ножівку, якщо нижнє огорождення не рухається вільно та не фіксується відразу ж. Ніколи не затискайте та не зв'язуйте нижнє огорождення в незафіксованій позиції. Якщо ножівка випадково впаде, нижнє огорождення може погнутися. Підніміть нижнє огорождення за допомогою зворотної ручки та переконайтесь, що воно вільно рухається та не торкається пильного полотна та інших деталей в жодному з напрямків та при будь-якій глибині розпилювання.

- b. **Перевірте роботу пружини нижнього огорождення. Якщо огорождення або пружина працюють невірно, то перед використанням необхідно відремонтувати пристрій.** Нижнє огорождення може працювати повільно через пошкоджені деталі, залишки гуми або іншого сміття.
- c. **Можна відтягнути нижнє огорождення вручну лише для спеціальних розтинів, наприклад, для “врізання” та “змішаних розтинів.”** Підніміть нижнє огорождення за допомогою зворотної ручки та як тільки полотно ввійде в матеріал, необхідно відпустити нижнє огорождення. Для інших видів розпилювання нижнє огорождення працює в автоматичному режимі.
- d. **Не забувайте стежити за тим, щоб нижнє огорождення покривало пильне полотно перед розташуванням ножівки на верстаті або на підлозі.** Незахищене полотно за інерцією може відхилитися назад та порізати будь-що на своєму шляху. Пам'ятайте, що необхідний певний час, доки полотно буде зупинене після відпущення вмикача.

Додаткові інструкції з техніки безпеки для ножівок з розклинюючим ножем

- a. **Використовуйте відповідний розклинюючий ніж для полотна, що використовується.** Щоб розклинюючий ніж добре працював він повинен бути товстішим за основну частину пильного полотна, але тоншим за зубці пильного полотна.
- b. **Налаштуйте розклинюючий ніж, як описано в технологічному керівництві.** Невірна відстань, розташування та вирівнювання може зробити цей ніж неефективним у запобіганні віддачі.
- c. **Завжди використовуйте розклинюючий ніж, за винятком моментів, коли необхідно зробити „врізання“.** Після врізання необхідно

відразу ж знов встановити розклинюючий ніж. Розклинюючий ніж заважає при врізанні та може спричинити віддачу.

- d. **Щоб розклинюючий ніж працював, він повинен знаходитись в зціпленні з заготівкою.** Розклинюючий ніж є неефективним у запобіганні віддачі під час коротких розрізів.
- e. **Не використовуйте ножівку, якщо розклинюючий ніж погнувся.** Навіть незначні пошкодження можуть уповільнити швидкість закриття захисного огорождення.

Залишкові ризики

Наступні ризики можуть виникати при використанні пилок:

- Травми, викликані контактом з деталями, що обертаються

Навіть виконуючи відповідні правила техніки безпеки та використовуючи захисні пристрої, неможливо уникнути деяких залишкових ризиків. А саме:

- Пошкодження слуху.
- Нещасні випадки через контакт з незакритими деталями пильного полотна, що обертається.
- Травми при заміні пильного полотна.
- Затиснення пальців при відкритті захисних кожухів.
- Небезпека для здоров'я через вдихання пилу, що утворюється при розпилюванні деревини, особливо дуба, бука і МДФ.

Пильні полотна

- ◆ Не використовуйте полотна більшого або меншого діаметру, ніж рекомендовано. Див. Технічні дані для отримання інформації щодо вірного розміру полотна. Використовуйте лише пильні полотна, вказані в цьому керівництві, що відповідають EN 847-1.
- ◆ Попередження! Ніколи не використовуйте абразивні круги.

Безпека сторонніх людей

- ◆ **Попередження!** Використовуйте засоби захисту вух при використанні цього інструменту.
- ◆ Пристрій не розрахований для використання особами (включаючи дітей) із зниженими фізичними, сенсорними або розумовими можливостями або недостатнім досвідом та знаннями, за винятком випадків, коли вони працюють під наглядом або отримали певні інструкції від людей, відповідальних за їх безпеку.

- ◆ Необхідно наглядати за дітьми, не дозволяючи їм гратися з інструментом.

Вібрація

Значення вібрації, вказані в технічних даних та в декларації про відповідність виміряні з дотриманням стандартних методів тестування, наданих в EN 60745, та їх можна використовувати для порівняння одного інструменту з іншим. Задекларовані значення вібрації можна також використовувати для попередньої оцінки впливу вібрації.

Попередження! Значення вібрації під час використання інструменту може відрізнятись від задекларованого в залежності від способів використання інструменту. Рівень вібрації може перевищувати вказані значення.

При оцінці впливу вібрації для визначення заходів безпеки за вимогами 2002/44/ЕС, щоб захистити людей, що регулярно використовують інструменти в роботі, необхідно враховувати реальні умови та способи використання інструменту, включаючи врахування всіх періодів робочого циклу, наприклад, часу, коли інструмент вимкнено та коли він знаходиться в режимі очікування, а також часу реальної роботи інструменту.

Написи на інструменті

На інструменті є наступні піктограми:



Попередження! Щоб зменшити ризик травм, користувач повинен прочитати керівництво з експлуатації.

Електрична безпека



Цей інструмент має подвійну ізоляцію; тому заземлення не є необхідним. Завжди перевіряйте, що джерело живлення відповідає напрузі, що вказана на табличці з паспортними даними.

- ◆ Якщо шнур живлення пошкоджений, його необхідно замінити у виробника або в офіційному сервісному центрі Black & Decker для уникнення небезпеки.

Деталі

1. Вимикач
2. Кнопка блокування

3. Основна ручка
4. Додаткова ручка
5. Шкала кута скосу
6. Кнопка блокування для настройки кута скосу
7. Паралельний обмежувач
8. Підшва
9. Полотно пилки
10. Захисний пристрій полотна пилки
11. Розклинюючий ніж
12. Глибина шкали розпилювання
13. Кнопка блокування для глибини настройки розтину
14. Гайковий ключ
15. Вихід пилу, що утворюється при розпилюванні

Зборка

Попередження! Перед спробою виконати будь-яку з наступних операцій переконайтесь, що пристрій вимкнений та що полотно пилки зупинилось.

Знімання та установка полотна пилки (рис. А)

УВАГА! Цей метод заміни пильного полотна можна використовувати з пильними полотнами, що мають отвір (16) для блокування полотна при встановленні та зніманні.

Знімання

- ◆ Встановіть викрутку в отвір (16), щоб уникнути обертання полотна пилки.
- ◆ Ослабте та зніміть полотно з гвинтом (17), повертаючи його проти годинникової стрілки та використовуючи гайковий ключ (14), що є в комплекті поставки.
- ◆ Зніміть зовнішню шайбу (18).
- ◆ Зніміть полотно пилки (9).

Установка

- ◆ Розташуйте полотно пилки на внутрішній шайбі (19) так, щоб стрілка на полотні вказувала в тому самому напрямку, що й стрілка на інструменті.
- ◆ Встановіть зовнішню шайбу (18) на шпindel так, щоб піднята сторона була направлена від полотна пилки.
- ◆ Встановіть шуруп підтримки полотна (17) в отвір.
- ◆ Вставте викрутку в отвір (16), щоб уникнути обертання полотна пилки.
- ◆ Надійно закріпіть шуруп утримання полотна, повертаючи за годинниковою стрілкою за допомогою гайкового ключа (14), що входить в комплект поставки.

- ◆ Налаштуйте розклинюючий ніж, як описано нижче.

Попередження! При встановленні нового пильного полотна необхідно перевірити захисний кожух пильного полотна, щоб переконатися, що він може вільно рухатись.

Встановлення та знімання пильного полотна (мал. В)

Увага! Цей метод заміни пильних полотен призначений для полотен, які не мають отвору (16) для блокування пильного полотна при встановленні та зніманні.

Знімання

- ◆ Встановіть глибину розрізу на пилці на 10мм.
- ◆ Встановіть дерев'яну дощечку на підлогу, потім розмістіть пилку на кінці дощечки, як показано на мал. В, щоб запобігти повороту пильного полотна.
- ◆ Добре натискаючи на пилку, відпустіть та зніміть стопорний гвинт пильного полотна (17), повертаючи його проти годинникової стрілки за допомогою гайкового ключа (14) з комплекту поставки.
- ◆ Зніміть зовнішню шайбу (18).
- ◆ Зніміть пильне полотно (9).

Установка

- ◆ Розташуйте пильне полотно на внутрішній шайбі (19), перевіривши, що стрілка на пильному полотні вказує в ту саму сторону, що й стрілка на інструменті.
- ◆ Встановіть зовнішню шайбу (18) на шпindel так, щоб піднята частина була направлена від пильного полотна.
- ◆ Вставте стопорний гвинт пильного полотна (17) в отвір та трохи затягніть його рукою.
- ◆ Встановіть дерев'яну дощечку на підлогу, потім розмістіть пилку на кінці дощечки, як показано на мал. В, щоб запобігти повороту пильного полотна.
- ◆ Добре натискаючи на пилку, надійно затягніть стопорний гвинт пильного полотна (17), повертаючи його за годинниковою стрілкою за допомогою гайкового ключа (14) з комплекту поставки.
- ◆ Налаштуйте розклинюючий ніж, як описано нижче.

Попередження! При встановленні нового пильного полотна необхідно перевірити захисний кожух пильного полотна, щоб переконатися, що він може вільно рухатись.

Налаштування розклинюючого ножа (рис. С)

Розклинюючий ніж запобігає заклинюванню полотна пилки під час поздовжнього розпилювання. Розклинюючий ніж необхідно налаштувати після заміни полотна пилки.

- ◆ Ослабте шуруп (20), що тримає розклинюючий ніж.
- ◆ Розташуйте розклинюючий ніж (11), як показано.

Відстань між зубчастою кромкою та розклинюючим ножом повинна бути 2 - 3 мм

Різниця в висоті між зубчастою кромкою та нижнім кінцем розклинюючого ножа повинна бути 2 - 3 мм

- ◆ Затягніть шуруп.

Установка та знімання паралельного обмежувача (рис. D)

Паралельний обмежувач використовується для розпилювання по прямій лінії, паралельно до краю деталі, що оброблюється.

Установка

- ◆ Ослабте кнопку блокування (21)
- ◆ Вставте паралельний обмежувач (7) через отвори (22).
- ◆ Встановіть паралельний обмежувач в бажану позицію.
- ◆ Затягніть кнопку блокування.

Знімання

- ◆ Ослабте кнопку блокування (21).
- ◆ Витягніть паралельний обмежувач з інструменту

Використання

Цей інструмент можна використовувати в правій та в лівій руці.

Налаштування глибини розтину (рис. E)

Глибину розтину потрібно встановити у відповідності до товщини деталі. Вона повинна перевищувати товщину приблизно на 2 мм.

- ◆ Ослабте кнопку (13), щоб розблокувати башмак пилки
- ◆ Перемістіть башмак пилки в бажану позицію (8). Відповідну глибину розтину можна знайти на шкалі (12).
- ◆ Затягніть кнопку, щоб закріпити башмак пилки.

Налаштування кута скосу (рис. F)

Цей інструмент може встановити кут скосу між 0° та 45°.

- ◆ Ослабте кнопку блокування (6), щоб розблокувати підшву пилки.
- ◆ Перемістіть підшву пилки (8) в бажану позицію. Відповідний кут скосу можна знайти на шкалі (5).

- ◆ Закріпіть кнопку блокування, щоб заблокувати підошву пилки.

Вмикання та вимикання

- ◆ Щоб ввімкнути інструмент, перемістіть кнопку блокування (2) в позицію розблокування та натисніть на вимикач (1).
- ◆ Щоб вимкнути інструмент, відпустіть вимикач.

Розпилювання

- ◆ Завжди тримайте інструмент обома руками
- ◆ Полотно повинно ходити вільно декілька секунд перед початком розпилювання.
- ◆ Застосовуйте лише невеликий тиск при розпилюванні.
- ◆ Працюйте так, щоб башмак був притиснутим до деталі.

Видалення пилу (рис. G)

Необхідний адаптер для підключення пилососу або системи видалення пилу до інструменту. Адаптер можна придбати у вашого локального представника компанії Black & Decker.

- ◆ Встановіть адаптер пиловловлювання (23) у вихідний отвір для збирання пилу при розпилюванні (15).
- ◆ Прикріпіть шланг пилососа до адаптера.

Примітки для оптимального використання

- ◆ Деякого розщеплення неможливо уникнути по лінії розтину на верхній частині деталі, тому починайте розпилювання по стороні, де розщеплення допустиме.
- ◆ Коли розщеплення необхідно звести до мінімуму, наприклад, при розпилюванні ламінату, прикріпіть на деталь шматок фанери.

Додаткові інструменти

Продуктивність роботи інструменту залежить від додаткових інструментів, які Ви використовуєте. Додаткові інструменти виробництва фірм Black & Decker та Piranha розроблені з дотриманням високих стандартів якості та створені для підвищення ефективності використання вашого інструменту. Використовуючи ці додаткові інструменти, ви отримаєте максимальну ефективність від вашого інструменту.

Технічне обслуговування

Ваш пристрій виробництва компанії Black & Decker призначений для роботи протягом довгого часу з мінімальним обслуговуванням. Постійна задовільна робота залежить від правильного догляду за інструментом та регулярної очистки.

Попередження! Перед виконанням будь-якого технічного обслуговування інструменту зі шнуром живлення або без нього:

- ◆ Вимкніть інструмент та відключіть його від мережі живлення.
- ◆ Або вимкніть та витягніть батарею з інструменту, якщо інструмент оснащений окремим акумулятором.
- ◆ Або повністю розрядіть акумулятор, якщо він не витягається, а потім вимкніть інструмент.
- ◆ Витягніть зарядний пристрій з розетки перед очисткою. Ваш зарядний пристрій не вимагає технічного обслуговування, лише необхідно проводити регулярну очистку.
- ◆ Регулярно очищуйте вентиляційні отвори пристрою/інструменту/зарядного пристрою, використовуючи м'яку щітку або суху ганчірку.
- ◆ Регулярно очищуйте корпус двигуна, використовуючи вологу ганчірку. Не використовуйте абразивні очищувачі або очищувачі на основі розчинників.
- ◆ Регулярно відкривайте затискний патрон та струшуйте його, щоб видалити пил з середини (якщо такий є).

Заміна шнура живлення (тільки для Великобританії та Ірландії)

Якщо нові шнури живлення мають бути прилаштовані:

- ◆ Зніміть стару вилку та утилізуйте її, дотримуючись правил техніки безпеки.
- ◆ Приєднайте коричневий провідник до активного виходу нової вилки.
- ◆ Приєднайте блакитний провідник до нейтрального виходу.

Попередження! Жоден провідник не повинен бути підключений до клеми заземлення. Дотримуйтесь інструкцій щодо налаштування, що поставляються з якісними вилками. Плавкий запобіжник, що рекомендується: 13 А.

Захист навколишнього середовища



Окреме збирання. Цей продукт не можна викидати разом із звичайним домашнім сміттям.

Якщо якимось чином Ви вирішите, що ваш виріб фірми Black & Decker має бути замінено, або він Вам більше не потрібний, не викидайте його на смітник побутового сміття. Зробіть цей виріб доступним для спеціального збору.



Окремий збір використаних виробів та упаковки дозволяє повторно переробляти та використовувати матеріали. Переробка повторно використаних матеріалів допомагає попередити забруднення навколишнього середовища та зменшує потребу в сировині.

Заява про відповідність ЄС

ДИРЕКТИВА ДЛЯ МЕХАНІЧНОГО
ОБЛАДНАННЯ



CD601/CD602

Місцеві законодавчі акти можуть передбачати окремий збір електричного обладнання в муніципальних місцях для збору сміття або продавцями при покупці нового обладнання.

Компанія Black & Decker має можливість для збору та переробки продуктів власного виробництва після закінчення їхнього терміну служби. Щоб скористатися цією послугою, поверніть виріб компанії в офіційний сервісний центр, які збирають відпрацьовані продукти за наш рахунок.

Ви можете знайти місцезнаходження найближчого до Вас сервісного центру, зв'язавшись з місцевим офісом компанії Black & Decker за адресою, вказаною в цих інструкціях. Крім того, список офіційних сервісних центрів компанії Black & Decker з усіма подробицями нашого післяпродажного обслуговування та контактною інформацією міститься в Інтернеті за адресою: www.2helpU.com

Компанія Black & Decker заявляє, що продукти, описані в розділі "Технічні дані" відповідають: 2006/42/EC, EN 60745-1, EN 60745-2-5

Для отримання додаткової інформації, будь ласка, зверніться до компанії Black & Decker за наступною адресою або прочитайте інформацію на зворотній стороні цього керівництва.

Нижчепідписаний несе відповідальність за упорядкування файлу технічних характеристик та робить цю заяву від компанії Black & Decker

Кевін Хьюїт (Kevin Hewitt)

Віце-президент з глобальних розробок
Black & Decker Europe, 210 Bath Road, Slough,
Berkshire, SL1 3YD
Великобританія
15/07/2010

Технічні дані

	CD601 TYPE 2	CD602 TYPE 2
Вхідна напруга	V _{AC} 230	230
Вхідна потужність	Вт 1,100	1,150
Швидкість без навантаження	об/хв 5,000	5,000
Максимальна глибина розпилення	мм 55	55
Діаметр диску	мм 170	170
Отвір диску	мм 16	16
Ширина кромки полотна	мм 2.6	2.6
Вага	кг 4.7	4.7

Рівень звукового тиску відповідно до EN 60745:

Звуковий тиск (L_{pA}) 101 дБ(A), похибка (K) 3 дБ (A)
Акустична потужність (L_{WA}) 112 дБ(A), похибка (K) 3 дБ (A)

Сумарні значення вібрації (триаксимальна векторна сума) відповідно до EN 60745:

Значення вібрації (a_h) 4,46 м/с², похибка (K) 1,5 м/с²

БЛЕК ЕНД ДЕККЕР

гарантійні умови

Шановний покупцю!

1. Вітаємо Вас з покупкою високоякісного виробу компанії Black & Decker та висловлюємо Вам свою вдячність за Ваш вибір.
 - 1.1. Надійна робота цього виробу на протязі всього терміну експлуатації є предметом особливої турботи наших сервісних служб. У випадку виникнення будь-яких проблем в процесі експлуатації виробу ми рекомендуємо Вам звертатися лише до авторизованих сервісних організацій, адреси та телефони яких Ви зможете знайти в Гарантійному талоні або дізнатися в магазині. Наші сервісні центри – це не тільки кваліфікований ремонт, але і широкий вибір запчастин та аксесуарів.
 - 1.2. При купівлі виробу вимагайте перевірки його комплектності та справності за Вашої присутності, наявності інструкції з експлуатації та заповненого Гарантійного талону на українській мові. За умови відсутності у Вас правильно заповненого Гарантійного талону ми будемо вимушені відхилити Ваші претензії щодо якості цього виробу.
 - 1.3. Щоб уникнути всіх непорозумінь наполегливо просимо Вас перед початком роботи з виробом уважно ознайомитись з інструкцією щодо його експлуатації.
 - 1.4. Звертаємо Вашу увагу на виключно побутове призначення цього виробу.
2. Правовою основою даних гарантійних умов є діюче Законодавство та, зокрема, Закон "Про захист прав споживачів".
3. Гарантійний термін на даний виріб складає 24 місяці та починається з дня продажу через роздрібну торгову мережу. У випадку усунення недоліків виробу гарантійний термін подовжується на період, протягом якого виріб не використовувався.
4. Термін служби виробу - 5 років (мінімальний, встановлений у відповідності до Закону "Про захист прав споживачів").
5. Наші гарантійні зобов'язання поширюються тільки на несправності, виявлені протягом гарантійного терміну та обумовлені виробничими та конструктивними факторами.
6. Гарантійні зобов'язання не поширюються:
 - 6.1. На несправності виробу, що виникли в результаті:
 - 6.1.1. Недотримання користувачем вказівок інструкції з експлуатації виробу.
 - 6.1.2. Механічних пошкоджень, викликаних зовнішнім ударним або іншим впливом.
 - 6.1.3. Використання виробу в професійних цілях та об'ємах, в комерційних цілях.
 - 6.1.4. Застосування виробу не за призначенням.
 - 6.1.5. Стихійного лиха.

- 6.1.6. Несприятливому атмосферному та інших зовнішніх впливах на виріб, таких як дощ, сніг, підвищена вологість, нагрів, агресивні середовища, невідповідність параметрів електромережі параметрам, вказаним на інструменті.
- 6.1.7. Використання аксесуарів, витратних матеріалів та запчастин, які не рекомендовані або не схвалені виробником.
- 6.1.8. Проникнення всередину інструменту сторонніх предметів, комах, матеріалів або речовин, що не є відходами, які супроводжують використання інструменту за призначенням, наприклад, стружки, опилки та ін.
- 6.2. На інструменти, що були відкриті, піддані ремонту або модифікації поза уповноваженим сервісним центром.
- 6.3. На приналежності, запчастини, що вийшли з ладу внаслідок нормального зносу, та витратні матеріали, такі як, приводні ремені, вугільні щітки, ножі, та ін.
- 6.4. На несправності, які виникли в результаті перевантаження інструменту, що призвело до виходу з ладу електродвигуна або інших вузлів та деталей. До безумовних ознак перевантаження виробу належать, зокрема: поява кольорів мінливості, деформація або оплавлення деталей та вузлів виробу, потемніння або обвуглювання ізоляції дротів електродвигуна під впливом високої температури.



Блек енд Декер ГмбХ,
Блек енд Декер Штрассе, 40,
65510 Ідштайн, Німеччина.

03 червня 1999 р.

Kullanım amacı

Black & Decker daire testere ahşap ve ahşap ürünlerini kesmek için tasarlanmıştır. Hafif hizmet ve hobi kullanımı içindir.

Güvenlik talimatları

Genel elektrikli alet güvenlik uyarıları



UYARI! Bütün güvenlik uyarılarını ve talimatlarını mutlaka okuyun.

Bu talimatların herhangi birisine uyulmaması elektrik çarpması, yangın ve/veya ciddi yaralanma riskine neden olabilir.

Bütün uyarı ve güvenlik talimatlarını ileride bakmak üzere saklayın.

Aşağıda yer alan uyarılardaki "elektrikli alet" terimi şebeke elektriğiyle (kablolu) veya akü/pille (şarjlı) çalışan elektrikli aletinizi ifade etmektedir.

1) Çalışma alanının güvenliği

- Çalışma alanını temiz ve aydınlık tutun.** Karışık ve karanlık alanlar kazaya davetiye çıkartır.
- Elektrikli aletleri, yanıcı sıvılar, gazlar ve tozların bulunduğu yerler gibi yanıcı ortamlarda çalıştırmayın.** Elektrikli aletler, toz veya dumanları ateşleyebilecek kıvılcımlar çıkartır.
- Bir elektrikli aleti çalıştırırken çocuklardan ve etraftaki kişilerden uzak tutun.** Dikkatinizi dağıtıcı şeyler kontrolü kaybetmenize neden olabilir.

2) Elektrik güvenliği

- Elektrikli aletlerin fişleri prizlere uygun olmalıdır. Fiş üzerinde kesinlikle hiçbir değişiklik yapmayın. Topraklı elektrikli aletlerde hiçbir adaptör fişi kullanmayın.** Değiştirilmemiş fişler ve uygun prizler elektrik çarpması riskini azaltacaktır.
- Borular, radyatörler, ocaklar ve buzdolapları gibi topraklanmamış yüzeylerle vücut temasından kaçının.** Vücudunuzun topraklanması halinde yüksek bir elektrik çarpması riski vardır.
- Elektrikli aletleri yağmura maruz bırakmayın veya ıslatmayın.** Elektrikli alete su girmesi elektrik çarpması riskini arttıracaktır.
- Elektrik kablosunu uygun olmayan amaçlarla kullanmayın. Elektrikli aleti kesinlikle kablosundan tutarak taşımayın, çekmeyin veya prizden çıkartmayın. Kabloyu sıcaktan, yağdan, keskin kenarlardan veya hareketli parçalardan uzak tutun.** Hasarlı veya dolaşmış kablolar elektrik çarpması riskini artırır.

- Elektrikli bir aleti açık havada çalıştırıyorsanız, açık havada kullanıma uygun bir uzatma kablosu kullanın.** Açık havada kullanıma uygun bir kablonun kullanılması elektrik çarpması riskini azaltır.
- Eğer bir elektrikli aletin nemli bir bölgede çalıştırılması zorunluysa, bir artık akım aygıtı (RCD) korumalı bir kaynak kullanın.** Bir RCD kullanılması elektrik şoku riskini azaltır.

3) Kişisel güvenlik

- Elektrikli bir aleti kullanırken her zaman dikkatli olun, yaptığınız işe yoğunlaşın ve sağduyulu davranın. Elektrikli bir aleti yorgunken veya ilaç ya da alkolün etkisi altındayken kullanmayın.** Elektrikli aletleri kullanırken bir anlık dikkatsizlik ciddi kişisel yaralanmayla sonuçlanabilir.
 - Kişisel koruyucu ekipmanları mutlaka kullanın. Daima koruyucu gözlük takın.** Koşullara uygun toz maskesi, kaymayan güvenlik ayakkabıları, baret veya kulaklık gibi koruyucu donanımların kullanılması kişisel yaralanmaları azaltacaktır.
 - İstem dışı çalıştırılmasını önleyin. Cihazı güç kaynağına ve/veya aküye bağlamadan, yerden kaldırmadan veya taşımadan önce düğmenin kapalı konumda olduğundan emin olun.** Aleti, parmağınız düğme üzerinde bulunacak şekilde taşımak veya açık konumdaki elektrikli aletleri elektrik şebekesine bağlamak kazaya davetiye çıkartır.
 - Elektrikli aleti açmadan önce tüm ayarlama anahtarlarını çıkartın.** Elektrikli aletin hareketli bir parçasına takılı kalmış bir anahtar kişisel yaralanmaya neden olabilir.
 - Ulaşmakta zorlandığınız yerlerde kullanmayın. Daima sağlam ve dengeli basın.** Bu, beklenmedik durumlarda elektrikli aletin daha iyi kontrol edilmesine olanak tanır.
 - Uygun şekilde giyinin. Bol elbiseler giymeyin ve takı takmayın. Saçınızı, elbiselerinizi ve eldivenlerinizi hareketli parçalardan uzak tutun.** Bol elbiseler ve takılar veya uzun saç hareketli parçalara takılabilir.
 - Eğer kullandığınız üründe toz emme ve toplama özellikleri olan ataşmanlar varsa bunların bağlı olduğundan ve doğru şekilde kullanıldığından emin olun.** Bu ataşmanların kullanılması tozla ilgili tehlikeleri azaltabilir.
- #### 4) Elektrikli aletlerin kullanımı ve bakımı
- Elektrikli aleti zorlamayın. Uygulamanız için doğru elektrikli aleti kullanın.** Doğru elektrikli

alet, belirlendiği kapasite ayarında kullanıldığında daha iyi ve güvenli çalışacaktır.

- b) **Düğme açmıyor ve kapatmıyorsa elektrikli aleti kullanmayın.** Düğmeyle kontrol edilemeyen tüm elektrikli aletler tehlikelidir ve tamir edilmesi gerekmektedir.
- c) **Herhangi bir ayarlama, aksesuar değişimi veya elektrikli aletlerin saklanması öncesinde fişi güç kaynağından çekin ve/veya aküyü aletten ayırın.** Bu tür önleyici güvenlik tedbirleri elektrikli aletin istem dışı olarak çalıştırılması riskini azaltacaktır.
- d) **Elektrikli aleti, çocukların ulaşamayacağı yerlerde saklayın ve elektrikli aleti tanımayan veya bu talimatları bilmeyen kişilerin elektrikli aleti kullanmasına izin vermeyin.** Elektrikli aletler, eğitimsiz kullanıcıların elinde tehlikelidir.
- e) **Elektrikli aletleri iyi durumda muhafaza edin. Hareketli parçalardaki hizalama hatalarını ve tutuklulukları, parçalardaki kırılmalar ve elektrikli aletin çalışmasını etkileyebilecek tüm diğer koşulları kontrol edin. Hasarlı ise, elektrikli aleti kullanmadan önce tamir ettirin.** Kazaların çoğu, elektrikli aletlerin bakımının yeterli şekilde yapılmamasından kaynaklanır.
- f) **Kesim aletlerini keskin ve temiz tutun.** Bakımı uygun şekilde yapılmış keskin kesim uçlu kesim aletlerinin sıkışma ihtimali daha düşüktür ve kontrol edilmesi daha kolaydır.
- g) **Elektrikli aleti, aksesuarlarını ve aletin diğer parçalarını kullanırken bu talimatlara mutlaka uyun ve çalışma ortamının koşullarını ve yapılacak işin ne olduğunu göz önünde bulundurun.** Elektrikli aletin öngörülen işlemler dışındaki işlemler için kullanılması tehlikeli durumlara neden olabilir.

5) Servis

- a) **Elektrikli aletinizi, sadece orijinal yedek parçaların kullanıldığı yetkili servise tamir ettirin.** Bu, elektrikli aletin güvenliğinin muhafaza edilmesini sağlayacaktır.

Elektrikli el aletleri için ek güvenlik talimatları



Uyarı! Testereler için ek güvenlik talimatları

- a. **Elerinizi kesim alanından ve bıçaktan uzak tutun. Diğer elinizi yardımcı kolun veya motor muhafazasının üzerinde tutun.** Testereyi iki

elinizle tuttuğunuzda bıçağın elinizi kesme ihtimali ortadan kalkar.

- b. **Üzerinde çalıştığınız parçaya alttan ulaşmayı denemeyin.** Bıçak muhafazası, üzerinde çalıştığınız parçanın altındayken sizi bıçaktan koruyamaz.
- c. **Kesim derinliğini üzerinde çalıştığınız parçanın kalınlığına göre ayarlayın.** Üzerinde çalıştığınız parçanın alt tarafından en fazla tam bir bıçak dişinin biraz azı görünmelidir.
- d. **Kesilen parçayı kesinlikle ellerinizde veya bacaklarınızın arasında tutmayın. Üzerinde çalıştığınız parçayı dengeli bir platformda sabitleyin.** Vücutla temas, bıçağın sıkışması ve kontrol kaybı ihtimalini en aza indirmek için üzerinde çalışılan parçayı destekleme önemlidir.
- e. **Kesim aletinin gizli kabloları veya kendi kablosuna temas edebileceği yerlerde çalışma yaparken elektrikli aleti yalıtımlı kavrama yüzeylerinden tutun.** Aletin «akım taşıyan» bir kabloya temas eden metal kısımları da «akım taşıyor» hale gelebilir ve kullanıcının çarpılmasına neden olabilir.
- f. **Yarık açarken daima bir yarık siperliği veya düz kenarlı bir kılavuz kullanın.** Bu, kesim işleminin hassaslığını artırırken bıçağın sıkışma ihtimalini azaltır.
- g. **Daima doğru boyut ve şekilde (yuvarlağa karşı baklava dilimli) deliklere sahip bıçakları kullanın.** Testerenin montaj donanımına uygun olmayan bıçaklar düzensiz çalışacak ve kontrol kaybına neden olacaktır.
- h. **Hasarlı veya yanlış bıçak pullarını veya civataları kesinlikle kullanmayın.** Bıçak pulları ve civatalar testereniz, optimum performans ve güvenli çalışma için özel olarak tasarlanmıştır.

Testereler için ek güvenlik talimatları

Tepme nedenleri ve operatörün korunması:

- ◆ tepme, sıkışan, yapışma yapan veya yanlış hizalanmış bir testere bıçağına karşı ani bir tepkidir ve testerenin kontrolsüz bir şekilde yukarı kalkıp üzerinde çalışılan parçadan kurtularak operatöre doğru gelmesine neden olur.
- ◆ bıçak, yarıktaki sıkıştırsa veya yarığa sıkıca yapıştırsa, dönemez hale gelir ve motor tepkisi üniteyi hızlı bir şekilde operatöre doğru atar;
- ◆ kesim sırasında bıçağın hizası bozulursa veya bıçak bükülürse, bıçağın arka kenarındaki dişler ahşabın üst yüzeyine girerek bıçağın yarıktan çıkmasına ve operatöre doğru geri tepmesine neden olabilir.

Tepme, testerenin yanlış kullanılmasında ve/veya yanlış çalıştırma prosedürleri veya koşullarından

kaynaklanır ve aşağıda da belirtilen uygun tedbirler alınarak önlenir.

- a. **Testereyi her iki elinizle sıkıca kavrayın ve kollarınızı tepme kuvvetlerine karşı koyacak şekilde konumlandırın. Vücudunuz testereyle aynı hizada değil, testerenin her iki tarafında olacak şekilde durun.** Tepme, testerenin geriye sıçramasına neden olabilir ancak tepme kuvvetleri uygun tedbirler alınması halinde operatör tarafından kontrol edilebilir.
- b. **Testere yapıştığında veya herhangi bir nedenden ötürü kesme işlemini sürdüremediğinde tetiği bırakın ve bıçak tümüyle durana kadar testereyi malzeme içinde hareketsiz bir şekilde tutun. Testereyi, bıçak hareket halindeyken kesinlikle parçadan çıkarmayı veya çekmeyi denemeyin aksi takdirde tepme meydana gelebilir.** Bıçağın yapışmasının nedenlerini araştırıp düzeltin.
- c. **Üzerinde çalıştığınız parçayı yeniden kesmeye başladığınızda, testere bıçağını yarıktan ortalayın ve testere dişlerinin malzemeye temas etmediğinden emin olun.** Testere bıçağı yapışıyor, testere yeniden çalıştırıldığında üzerinde çalıştığınız parçaya tırmanabilir veya geri tepebilir.
- d. **Bıçağın sıkışması ve tepme riskini en aza indirmek için büyük panelleri destekleyin.** Büyük paneller kendi ağırlıklarıyla bükülebilir. Panelin her iki taraftan altına, kesim hattının yakınına ve panelin kenarına yakın bir noktaya destekler koyulmalıdır.
- e. **Rengi bozulmuş veya hasarlı bıçakları kullanmayın.** Bıçımı bozulmuş veya yanlış ayarlanmış bıçaklar dar yarıklara neden olarak aşırı sürtünme, bıçak yapışması ve tepmeye neden yol açarlar.
- f. **Bıçak derinliği ve açısı ayarı kilitleme kolları kesim işleminden önce sıkılmalı ve sabitlenmelidir.** Kesim sırasında bıçak ayarında kayma meydana gelirse yapışmaya ve tepmeye neden olabilir.
- g. **Mevcut duvarlara veya diğer kör alanlarda “dikine kesim” yaparken son derece dikkatli olunmalıdır.** Çıkıntı yapan bıçak tepmeye neden olabilecek nesnelere kesebilir.

İçte veya dışta sarkaç tipi bıçak muhafazası ve geri çekme muhafazası olan daire testereler için güvenlik talimatları

- a. **Her kullanımdan önce alt muhafazanın doğru kapanıp kapanmadığını kontrol edin.**

Alt muhafaza serbestçe ve yeterince yakın hareket etmiyorsa testereyi kullanmayın. Alt muhafazayı kesinlikle açık konumda sabitlemeyin veya bağlamayın. Testere kazara düşerse, alt muhafaza yamulabilir. Alt muhafazayı geri çekme koluyla kaldırıp tüm kesim açılı ve derinliklerinde serbest bir şekilde hareket ettiğinden ve bıçağa veya başka herhangi bir parçaya temas etmediğinden emin olun.

- b. **Alt muhafaza yayının çalışmasını kontrol edin. Muhafaza ve yay doğru bir şekilde çalışmıyorsa kullanılmadan önce bakımları yapılmalıdır.** Alt muhafaza hasarlı parçalar, yapışkan tortular veya moloz birikmesi nedeniyle yavaş çalışabilir.
- c. **Alt muhafaza, sadece “dikine kesimler” ve “birleşik kesimler” gibi özel kesimlerde elle geri çekilmelidir. Alt muhafazayı geri çekme koluyla kaldırın ve bıçak malzemeye girer girmez alt muhafazayı bırakın.** Tüm diğer kesim işleri için alt muhafaza otomatik olarak çalıştırılmalıdır.
- d. **Testereyi tezgaha veya yere bırakırken alt muhafazanın bıçağı kapattığından her zaman emin olun.** Korunmayan, açıkta duran bıçak, testerenin geriye yürüyerek yolundaki her şeyi kesmesine neden olacaktır. Düğme bırakıldıktan sonra bıçağın durması için biraz zaman gerektiğini unutmayın.

Bıçak kamalı tüm testereler için ek güvenlik talimatları

- a. **Kullanılan testere bıçağına uygun bıçak kamasını kullanın.** Bıçak kaması, çalışabilmesi için testere bıçağının gövdesinden kalın, diş takımından ise ince olmalıdır.
- b. **Bıçak kamasını bu kullanım kılavuzunda açıklandığı gibi ayarlayın.** Yanlış aralık bırakma, yerleştirme veya hizalama, bıçak kamasının tepmeyi engellemede etkisiz kılabilir.
- c. **Dikine kesim haricinde bıçak kamasını her zaman kullanın.** Bıçak kaması dikine kesme işleminden sonra yerine takılmalıdır. Bıçak kaması, dikine kesme sırasında girişime yol açarak tepmeye neden olabilir.
- d. **Bıçak kaması, çalışabilmesi için üzerinde çalışılan parçaya kenetlenmelidir.** Bıçak kaması, kısa kesim işleri sırasında tepmeyi önlemekte etkisizdir.
- e. **Bıçak kamasının bükülmüş olması halinde testereyi çalıştırmayın.** Küçük bir giriş bile muhafazanın kapanma hızını azaltabilir.

Diğer tehlikeler

Aşağıda sıralanan riskler testerelerin kullanımına özgü risklerdir:

- Aletin dönen parçalarına dokunma sonucu ortaya çıkan yaralanmalar

Emniyet tedbirlerini düzenleyen yönetmeliğin uygulanmasına ve emniyet sağlayıcı aygıtların kullanılmasına rağmen, başka belirli risklerden kaçınılamaz. Bunlar:

- Duyma bozukluğu.
- Döner testere bıçağının açık parçalarından kaynaklanan kaza riski.
- Bıçağı değiştirirken yaralanma riski.
- Muhafazaları açarken parmakların sıkışma riski.
- Özellikle meşe, akgürgen ve MDF olmak üzere ahşap keserken meydana gelen tozun yutulması sonucu oluşan sağlık sorunları.

Testere bıçakları

- ◆ Tavsiye edilenden daha büyük veya daha küçük çaplarda bıçak kullanmayın. Uygun bıçak hızı için teknik verilere bakın. Sadece bu kılavuzda belirtilen, EN 847-1 ile uyumlu bıçakları kullanın.
- ◆ **Uyarı!** Kesinlikle aşındırıcı kesim diskleri kullanmayın.

Diğer kişilerin güvenliği

- ◆ Uyarı! Aletle çalışırken kulaklık takın.
- ◆ Bu alet fiziksel ve zihinsel kapasitesinin yanı sıra algılama gücü azalmış olan veya yeterince deneyim ve bilgisi bulunmayan kişiler (çocuklar dahil) tarafından kullanılmak üzere üretilmemiştir. Bu tür kişiler aleti ancak güvenliklerinden sorumlu bir kişi tarafından cihazın kullanımıyla ilgili talimatların verilmesi veya sürekli kontrol altında tutulması durumunda kullanabilir.
- ◆ Çocuklar, aletle oynamalarının önlemek amacıyla kontrol altında tutulmalıdır.

Titreşim

Teknik veriler ve uygunluk beyanati içerisinde belirtilen titreşim emisyon değerleri EN60745 tarafından belirlenen standart bir test yöntemine uygun olarak ölçülmektedir ve diğer bir aletle karşılaştırma yaparken kullanılabilir. Beyan edilen titreşim emisyon değeri aynı zamanda maruz kalmanın önceden değerlendirilmesinde de kullanılabilir.

Uyarı! Elektrikli aletin mevcut kullanımı sırasındaki titreşim emisyon değeri, aletin kullanım yöntemine

bağlı olarak, beyan edilen değere göre farklılık sergileyebilir. Titreşim düzeyi belirlenen seviyenin üzerinde artış gösterebilir.

İşyerinde düzenli olarak elektrikli alet kullanan çalışanları korumak amacıyla 2002/44/EC tarafından getirilen elektrik güvenliği önlemlerini belirlemek üzere titreşime maruz kalmayı değerlendirirken, çalışma döngüsü içerisinde örneğin aletin kapalı olduğu ve aktif durumda olmasının yanı sıra boşta çalıştığı zamanlar gibi, bütün zaman dilimleri dahil olmak üzere mevcut kullanım durumu ve aletin kullanım şekli göz önünde bulundurularak değerlendirilmelidir.

Alet üzerindeki etiketler

Alet üzerinde, aşağıdaki uyarı sembolleri bulunmaktadır:



Uyarı! Yaralanma riskini en aza indirmek için kullanıcı kullanım talimatlarını mutlaka okumalıdır.

Elektrik güvenliği



Bu alet çift yalıtımlıdır. Bu yüzden hiçbir topraklama kablosuna gerek yoktur. Her zaman şebeke geriliminin aletin üretim etiketinde belirlenmiş değerlere uyup uymadığını kontrol edin.

- ◆ Elektrik kablosu hasarlı ise, bir tehlike oluşmasını önlemek için üretici ya da yetkili Black & Decker Servisi tarafından değiştirilmelidir.

ÖZELLİKLER

1. Açma/kapama düğmesi
2. Emniyet kilidi
3. Ana kol
4. Yardımcı kol
5. Gönye açısı ölççeği
6. Gönye açısı ayarı için kilit tırnağı
7. Paralel korkuluk
8. Testere tabanı
9. Testere bıçağı
10. Testere bıçağı muhafazası
11. Bıçak kaması
12. Kesim derinliği ölççeği
13. Kesim derinlik ayarı için kilit tırnağı
14. Anahtar
15. Toz çıkışı

Montaj

Uyarı! Aşağıdaki işlemlerden herhangi birini gerçekleştirirmeden önce, aletin kapalı ve fişinin çekili olduğundan ve testere bıçağının durduğundan emin olun.

Testere bıçağının sökülmesi ve takılması (Şekil A)

Uyarı! Belirtilen bıçak değiştirme yöntemi sadece takma ve çıkartmada bıçağı kilitlemek için deliği (16) olan bıçaklarda kullanılır.

Çıkartılması

- ◆ Testere bıçağının dönmesini önlemek için deliğe (16) bir tornavida sokun.
- ◆ Bıçak tespit vidasını (17) verilmiş olan anahtarla (14) saatin aksi yönde döndürerek gevşetip çıkartın.
- ◆ Dış pulu (18) çıkartın.
- ◆ Testere bıçağını (9) çıkartın.

Takılması

- ◆ Testere bıçağını, bıçağın üzerindeki okun aletin üzerindeki okla aynı yöne baktığından emin olarak iç pulun (19) üzerine yerleştirin.
- ◆ Dış pulu (18), kalkık kısmı bıçağın aksi yöne bakacak şekilde mile takın.
- ◆ Bıçak tespit vidasını (17) deliğe yerleştirin.
- ◆ Testere bıçağının dönmesini önlemek için deliğe (16) bir tornavida sokun.
- ◆ Bıçak tespit vidasını, verilmiş olan anahtarla (14) saat yönünde döndürerek sağlam bir şekilde sıkın.
- ◆ Bıçak kamasını aşağıda açıklandığı gibi ayarlayın.

Uyarı! Yeni bir bıçak taktıktan sonra her zaman bıçak muhafazası, serbestçe hareket ettiğinden emin olmak için kontrol edilmelidir.

Testere bıçağının çıkartılması ve takılması (Şekil B)

Uyarı! Belirtilen bıçak değiştirme yöntemi takma ve çıkartmada bıçağı kilitlemek için deliği (16) olmayan bıçaklarda kullanılır.

Çıkartılması

- ◆ Bıçağın kesme derinliğini 10mm'ye ayarlayın.
- ◆ Zemine bir destek tahtası yerleştirin ve testereyi tahtanın ana kenarı üzerine bıçağın dönmesini engellemek için şekil B'de gösterildiği gibi yerleştirin.
- ◆ Testerenin üzerinde sıkı bir şekilde bastırırken verilen anahtarı (14) kullanarak, saatin aksi yönünde döndürerek bıçak tutma vidasını (17) sökün.
- ◆ Dış contayı (18) çıkartın.
- ◆ Testere bıçağını (9) çıkartın.

Takılması

- ◆ Testere bıçağını iç contanın (19) üzerine takın. Bıçak üzerindeki ok ile alet üzerindeki okun yönünün aynı olmasına dikkat edin.

- ◆ Dış contayı (18), çıkık tarafı bıçaktan ters tarafa bakacak şekilde milin üzerine yerleştirin.
- ◆ Elinizle gevşekçe sıkarak bıçak tutma vidasını (17) yerine yerleştirin.
- ◆ Zemine bir destek tahtası yerleştirin ve testereyi tahtanın ana kenarı üzerine bıçağın dönmesini engellemek için şekil B'de gösterildiği gibi yerleştirin.
- ◆ Testerenin üzerinde sıkı bir şekilde bastırırken verilen anahtarı (14) kullanarak, saat yönünde döndürerek bıçak tutma vidasını (17) yerine vidalayın.
- ◆ Aşağıda anlatıldığı şekilde bıçak kamasını ayarlayın.

Uyarı! Yeni bir bıçak taktıktan sonra her zaman bıçak muhafazası, serbestçe hareket ettiğinden emin olmak için kontrol edilmelidir.

Bıçak kamasının ayarlanması (Şekil C)

Bıçak kaması, testere bıçağının yarıp kesme işlemleri sırasında sıkışmasını önler. Testere bıçağı değiştirildikten sonra bıçak kaması ayarlanmalıdır.

- ◆ Bıçak kamasını yerinde tutan vidayı (20) gevşetin.
- ◆ Bıçak kamasını (11) gösterildiği gibi konumlandırın.

The distance between the toothed rim and the riving knife should be 2 - 3 mm.

Dişli çerçeve ile bıçak kamasının alt kenarı arasındaki yükseklik farkı 2 - 3 mm olmalıdır.

- ◆ Vidayı sıkın.

Paralel korkuluğun takılması ve sökülmesi (Şekil D)

Paralel korkuluk, üzerinde çalıştığınız parçanın kenarına paralel, düz bir çizgide kesmek için kullanılır.

Takılması

- ◆ Kilit tırnağını (21) gevşetin.
- ◆ Paralel korkuluğu (7) açıklıklardan (22) geçirin.
- ◆ Paralel korkuluğu istediğiniz konuma kaydırın.
- ◆ Kilit tırnağını sıkın.

Çıkartılması

- ◆ Kilit tırnağını (21) gevşetin.
- ◆ Paralel korkuluğu aletten çekip çıkartın.

Kullanımı

Bu alet sağ el veya sol ele göre kullanılabilir.

Kesim derinliğinin ayarlanması (Şekil E)

Kesim derinliği, üzerinde çalışılan parçanın kalınlığına göre ayarlanmalıdır. Kalınlığı, yaklaşık 2 mm aşmalıdır.

- ◆ Testere tabanının kilidini açmak için tırnağı (13) gevşetin.

- ◆ Testere tabanını (8) istediğiniz konuma getirin. İlgili konuma karşılık gelen kesim derinliği ölçekten (12) okunabilir.
- ◆ Testere tabanını ilgili konumda kilitlemek için tırnağı sıkın.

Gönye açısının ayarlanması (Şekil F)

Bu alet, 0° ila 45° arasındaki gönye açılarını ayarlanabilir.

- ◆ Testere tabanının kilidini açmak için kilit tırnağını (6) gevşetin.
- ◆ Testere tabanını (8) istediğiniz konuma getirin. İlgili konuma karşılık gelen gönye açısı ölçekten (5) okunabilir.
- ◆ Testere tabanını ilgili konumda kilitlemek için kilit tırnağını sıkın.

Açılması ve kapatılması

- ◆ Aleti açmak için, emniyet düğmesini (2) açık konumuna getirip ve açma/kapama düğmesini (1) bastırın.
- ◆ Aleti kapatmak için, açma/kapama düğmesini bırakın.

Kesme

- ◆ Aleti daima iki elinizle tutun.
- ◆ Kesme işlemine başlamadan önce bıçağın birkaç saniye boşta dönmeye izin verin.
- ◆ Kesme işlemi sırasında alete yalnızca hafif bir baskı uygulayın.
- ◆ Testere tabanı, üzerinde çalışılan parçaya doğru bastırılmış olarak çalışın.

Toz tahliyesi (Şekil G)

Alete elektrikli süpürge veya toz tahliye cihazı bağlamak için bir adaptör gereklidir. Bu adaptörü, bölgenizdeki Black & Decker bayiinden edinebilirsiniz.

- ◆ Toz tahliye adaptörünü (23) toz çıkışına (15) takın.
- ◆ Elektrikli süpürge hortumunu adaptöre bağlayın.

Yararlı tavsiyeler

- ◆ Kesim hattı boyunca kesim yüzeyinde pürüz meydana gelebileceğinden, malzemeyi pürüzün sorun yaratmayacağı taraftan kesin.
- ◆ Pürüzün an az indirilebileceği durumlarda örnek: laminat kesimi, kesilen malzemenin üzerine bir parça kontraplağı mengene ile sıkıştırın.

Aksesuarlar

Aletinizin performansı kullanılan aksesuara bağlıdır. Black & Decker ve Piranha aksesuarları, yüksek kalite standartlarına göre üretilmiş ve aletinizin performansını arttıracak şekilde tasarlanmıştır. Bu aksesuarları kullanarak, aletinizden en iyi verimi alacaksınız.

Bakım

Black & Decker elektrikli/şarjlı aletiniz minimum bakımla uzun bir süre çalışacak şekilde tasarlanmıştır. Kesintisiz olarak memnuniyet verici bir şekilde çalışması alete gerekli özenin gösterilmesine ve düzenli temizliğe bağlıdır.

Uyarı! Elektrikli/şarjlı alet üzerinde herhangi bir bakım işlemi gerçekleştirmeden önce:

- ◆ Aleti kapatın ve fişten çekin
- ◆ Ya da aletin çıkartılabilir aküsü varsa; aleti kapatın ve aküyü aletten çıkartın.
- ◆ Ya da aletin dahili aküsü varsa, bitene kadar çalıştırın ve sonra kapatın.
- ◆ Şarj cihazını temizlemeden önce fişten çekin. Şarj cihazınız, düzenli temizlik dışında herhangi bir bakım gerektirmemektedir.
- ◆ Aletinizdeki ve şarj cihazındaki havalandırma deliklerini yumuşak bir fırça veya kuru bir bezle düzenli olarak temizleyin.
- ◆ Motor muhafazasını düzenli olarak nemli bir bezle silin. Aşındırıcı veya çözücü bazlı temizleyiciler kullanmayın.
- ◆ Mandreni düzenli olarak tamamen açın ve içindeki tozu dökmek için hafifçe vurun (mandren alete takılıysa).

Çevrenin korunması



Ayrı olarak atın. Bu ürün, normal evsel atıklarla birlikte atılmamalıdır.

Black & Decker ürününüzün değiştirilmesi gerektiğini düşünmeniz veya artık kullanılamaz durumda olması halinde onu, evsel atıklarla birlikte atmayın. Bu ürünü, ayrı olarak toplanacak şekilde atın.



Kullanılmış ürünlerin ve ambalajların ayrı olarak toplanması bu maddelerin geri dönüşüme sokularak yeniden kullanılmasına olanak tanır. Geri dönüşümlü maddelerin tekrar kullanılması çevre kirliliğinin önlenmesine yardımcı olur ve ham madde ihtiyacını azaltır.

Yerel yönetmelikler, elektrikli ürünlerin evlerden toplanıp belediye atık tesislerine aktarılması veya yeni bir ürün satın alırken perakende satıcı tarafından toplanması yönünde hükümler içerebilir.

Black & Decker, hizmet ömrünün sonuna ulaşan Black & Decker ürünlerinin toplanması ve geri dönüşüme sokulması için bir imkan sunmaktadır. Bu hizmetin avantajlarından faydalanmak için, lütfen, ürününüzü bizim adımıza teslim alacak herhangi bir yetkili servise iade edin.

Bu kılavuzda belirtilen listeden size en yakın yetkili tamir servisinin yerini öğrenebilirsiniz. Ya da, alternatif olarak internet'ten Black & Decker yetkili tamir servislerinin listesini ve satış sonrası hizmetlerimizle ilgili tüm bilgiler ve temas bilgilerine aşağıdaki siteden ulaşabilirsiniz: www.2helpU.com

Black & Decker Europe, 210 Bath Road, Slough,
Berkshire, SL1 3YD İngiltere
15/07/2010

Teknik özellikleri

		CD601 TİP 2	CD602 TİP 2
Voltaaj	VAC	230	230
Giriş gücü	W	1.100	1.150
Yüksüz hızı	dev/dak.	5.000	5.000
Maks. kesim derinliği	mm	55	55
Bıçak çapı	mm	170	170
Bıçak göbek çapı	mm	16	16
Bıçak diş genişliği	mm	2.6	2.6
Ağırlık	kg	4.7	4.7

EN 60745'e göre ses basıncı düzeyi:

Ses basıncı (L_{pA}) 101 dB(A), belirsizlik (K) 3 dB(A)
Akustik güç (L_{WA}) 112 dB(A), belirsizlik (K) 3 dB(A)

EN 60745'e göre tespit edilen toplam titreşim değerleri (üç yönün vektör toplamı):

Titreşim emisyon değeri (a_h) 4.46 m/s², belirsizlik (K) 1,5 m/s²

AT Uygunluk Beyanatı MAKİNE DİREKTİFİ



CD601/CD602

Black & Decker, «teknik özellikleri» bölümünde açıklanan bu ürünlerin aşağıda belirtilen yönergelere uygun olduğunu beyan eder:
2006/42/EC, EN 60745-1, EN 60745-2-5

Daha fazla bilgi için, lütfen aşağıdaki adresten Black & Decker ile irtibata geçin veya kılavuzun arkasına bakın. Bu belge altında imzası bulunan yetkili, teknik dosyanın derlenmesinden sorumludur ve bu beyanı Black & Decker adına vermiştir.

Kevin Hewitt
Başkan Yardımcısı, Global Mühendislik

Garanti

Black & Decker, ürünün kalitesinden emindir ve bu yüzden kanunlarda belirtilen taleplerin üstünde bir garanti verir. Ayrıca bu garanti hiçbir şekilde garanti ile ilgili kanuni haklarınızı ihlal etmez ve haklarınızı hiç bir şekilde kısıtlanmaz. İşbu garanti Avrupa Birliği'ne üye ülkeler ile Avrupa Serbest Ticaret Bölgesi sınırları dahilinde geçerlidir.

Eğer bir Black & Decker ürünü, satın alma tarihinden itibaren 24 ay içinde hatalı malzeme, işçilik ya da uygunsuzluk nedeniyle bozulursa, müşteriye mümkün olabilecek en az sorunu yaşatarak Black & Decker hatalı kısımları değiştirmeyi, adil bir şekilde aşınmış ve yıpranmış ürünleri tamir etmeyi veya değiştirmeyi garanti eder. Ancak bu belirtilenler şu durumlar dışında geçerlidir:

- ◆ Ürün ticari veya profesyonel amaçlarla kullanılmışsa veya kiraya verilmişse;
- ◆ Ürün yanlış veya amaç dışı kullanılmışsa;
- ◆ Ürün yabancı nesnelere, maddelere veya kaza sırasında zarar görmüşse;
- ◆ Yetkili tamir servisleri veya Black & Decker servis ekibinden başkası tarafından tamir edilmeye çalışılmışsa.

Garanti talebinde bulunmak için, satıcıya veya yetkili tamir servisine satın aldığınıza dair ispat sunmalısınız. Fatura ve garanti kartı gerekmektedir. Bu kullanım kılavuzunda belirtilen listeden size en yakın yetkili servis adresini öğrenebilirsiniz. Ya da, Internet'ten Black & Decker yetkili tamir servislerinin listesini ve satış sonrası hizmet veren yetkililerin tam detaylarını öğrenebilirsiniz. Bu site: www.2helpU.com

Sanayi ve Ticaret Bakanlığı tebliğince kullanım ömrü 10 yıldır.

Türkiye Distribütörü
KALE HIRDAVAT VE MAKİNA A.Ş.
Defterdar Mah. Savaklar Cad. No. 15
34050 Edirnekapı Eyüp İstanbul

No.	İl	Yetkili Servis	Adres	Telefon
1	Adana	Emin Elektrik	Kızılay Cad. 6.Sok. No.9/D	0322 351 80 46
2	Amasya	Teknik Bobinaj	Beyazıt Paşa Mah. Mehmet Vorinli Cad. No.20/B	0358 218 26 82
3	Ankara	Orhan Bobinaj	Yalınç Sok. No.17 Siteler	0312 350 95 29
4	Ankara	Yiğit Bobinaj	Merkez 668.Sok. Eminel Yapı Koop. No.8 İvedik Ostim	0312 395 05 37
5	Antalya	E.B.A. Elektrik	Sanayi Sitesi 682.Sok. No.38	0242 345 36 22
6	Antalya - Alanya	Abaloğlu Bobinaj	Sanayi Sitesi Yeni Yol Girişi No.8	0242 512 02 16
7	Aydın	Taciroğlu Bobinaj	2.Sanayi Sitesi 3.Sok. No.55	0256 219 43 30
8	Aydın - Kuşadası	Özgür Bobinaj	Kuşadası Sanayi Sitesi J.Blok No.13	0256 622 13 73
9	Balıkesir	Tezger Bobinaj	Küçük Sanayi Bölgesi Dökmeciler Sok. No.15	0266 241 63 85
10	Balıkesir - Bandırma	Küre Bobinaj	Atatürk Cad. No.104 Bandırma	0266 718 46 79
11	Balıkesir - Edremit	Özkan Bobinaj	Cennet Ayağı Mah. Demirbaş Sitesi A4-BI. No.2/B	0266 374 20 29
12	Bursa	Vokart	Gazıcılar Cad. Erikli Bahçe Sok. No.6/B	0224 254 48 75
13	Çanakkale	Kısacık Bobinaj	Namık Kemal Mah. Kaynak Sok. No.41	0286 217 96 71
14	Çorum	Emek Bobinaj	Küçük Sanayi Sitesi 23.Cad. No.5/C Cami yanı	0364 234 68 84
15	Denizli	Örsler Bobinaj	Bakırlı Mah. 171.Sok. Sedef Çarşısı No.9-10	0258 261 42 74
16	Diyarbakır	Çetsan Elektrik	İnönü Cad. Ziya Gökalp Sok. No.45	0412 237 29 04
17	Düzce	Yıldız Makine	Burhaniye Mah. Gen. Kazım Sok. No.10	0380 514 70 56
18	Edirne	Efe Bobinaj	Sanayi Sitesi 22.Blok No.5	0284 225 35 73
19	Erzincan	Ümit Elektrik Makine	Sanayi Çarşısı 767.Sok. No.71	0446 224 08 01
20	Eskişehir	Meriç Bobinaj	Akçağlan Mah. Meriç Sok. No.4/A	0222 230 94 44
21	Gaziantep	Karashahin Bobinaj	Şenyurt Cad. No.35 Şahinbey	0342 231 17 33
22	Isparta	Işık Bobinaj	Piri Mehmet Mah. 107.Cad. No.5	0246 223 20 28
23	İçel - Mersin	Şekerler Elektrik Bobinaj	Nusratiye Mah. 5005.Sok. No.20/A	0324 336 70 98
24	İçel - Mersin	Üniversal Bobinaj	Nusratiye Mah. Çiftçiler Cad. 68.Sok. No.19	0324 233 44 29
25	İstanbul	AKEL Elektrik Servis Hiz.	Yukarı Dudullu Nato Yolu Cad. No.109B Ümraniye	0216 540 53 54
26	İstanbul	Fırat Dış Ticaret	Tersane Cad. Kut Han No.38 K.3 D.307-308 Karaköy	0212 252 93 43
27	İstanbul	Birlik Elektromekanik	Perpa Tic. Merkezi B.Blok Mavi Avlu Kat.4 No.318 Okmeydanı	0212 222 94 18
28	İstanbul	Kardeşler Bobinaj	Çağlayan Mah. Sinanpaşa Cad. No.5 Çağlayan	0212 224 97 54
29	İstanbul	Mert Elektrik Ltd.	İkitelli Org. Sanayi Demirciler Sitesi D2.Blok No.280 İkitelli	0212 549 65 78
30	İstanbul	SVS Teknik	İstasyon Cad. GİBTAŞ Sanayi Sitesi No.24 Kat 2 İçmeler Tuzla	0216 446 69 39
31	İstanbul	Tarık Makina Ltd.	Bağdat Cad. Adalı Sok. No.101/10 Maltepe	0216 370 21 11
32	İstanbul	Tekniker Bobinaj	Birlik Sanayi Sitesi 7.Cad. No.2 Beylikdüzü	0212 875 19 31
33	İzmir	Birlik Bobinaj	2824 Sok. No.18 Halkapınar 1.Sanayi Sitesi	0232 458 39 42
34	İzmir	Boro Civata	1203/2.Sok. No.B2 Gıda Çarşısı Yenişehir	0232 469 80 70
35	İzmir	Doruk Hırdavat	1426.Sok. No.14 Hurdacılar Sitesi Doğanlar Bornova	0232 478 14 12
36	Kayseri	Akın Elektrik	Eski Sanayi Bölgesi 5.Cad. No.8	0352 336 41 23
37	Kocaeli - Gebze	Gülsoy Elektrik	Menzilhane Cad. 1111.Sok. No.7	0262 646 92 49
38	Kocaeli - İzmit	Efe Elektrik Bobinaj	Körfez Küçük Sanayi Sitesi 12.Blok No.13	0262 335 18 94
39	Konya	Murat Bobinaj	Karatay Sanayi Çiçekli Sok. No.83	0332 235 64 63
40	Konya	Sözenler Bobinaj	Fevzi Çakmak Mah. Komsan İş Mer. 10562 Sok. No.62	0332 342 63 18
41	Kütahya	Doğan Bobinaj	Yeni Sanayi Sitesi 19.Sok. No.28/1	0274 231 22 00
42	Malatya	Özer Bobinaj	Yeni Sanayi Sitesi 2.Cad. No.95	0422 336 39 53
43	Muğla - Bodrum	Bodrum Makine	Türkkuyusu Mah. Etem Demiröz Sok. Sanayi Sitesi 12	0252 316 28 51
44	Muğla - Marmaris	Başaran Teknik	Beldibi Cad. No.5/C	0252 412 85 11
45	Nevşehir	Çiftgüç Elektrik	Yeni Sanayi Sitesi 8.Blok No.53	0384 213 19 96
46	Sakarya - Adapazarı	Engin El. Bobinaj	Papuççular Mah. Papuççular Cad. No.40	0264 273 87 69
47	Samsun	Akış Bobinaj	Sanayi Sitesi Ulus Cad. No.31B	0362 238 07 23
48	Sivas	Bayraktar Elektrik	Yeni Çarşı No.72C	0346 221 47 55
49	Tekirdağ - Çorlu	Ümit Elektrik	Camiatik Mah. Ereğli Sok. No.1	0282 653 27 77
50	Tokat	Çetin Elektrik	Sanayi Sitesi No.22 Cami Altı	0356 214 63 07
51	Trabzon	Makina Market	Rize Cad. No.71 Değirmendere	0462 328 14 80
52	Uşak	Zengin Bobinaj	İslicce Mah. Ürem Sok. No.10/C	0276 227 27 46
53	Yalova	Kale İnşaat	Merkez Mah. Devlet Yolu Cad. No.70 Paytazdere Yalova	0226 461 22 42
54	Zonguldak - KDZ Ereğli	Tümen Bobinaj	Kışla Sanayi Sitesi D.Blok No.17	0372 323 74 97

