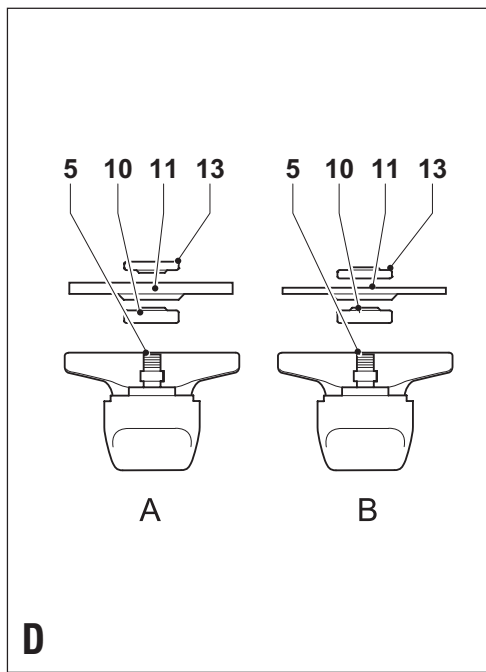
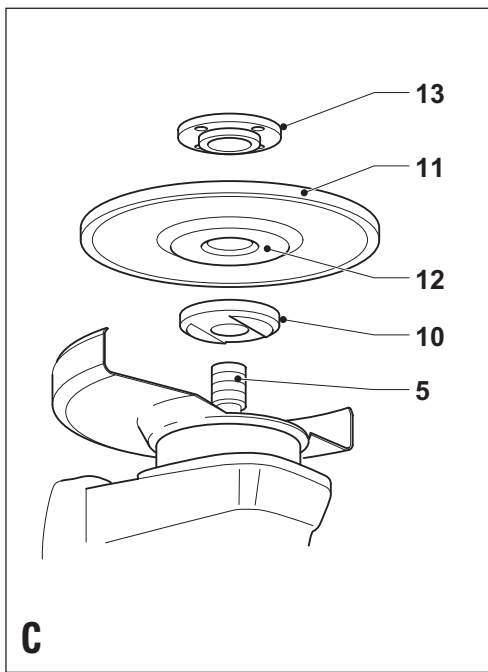
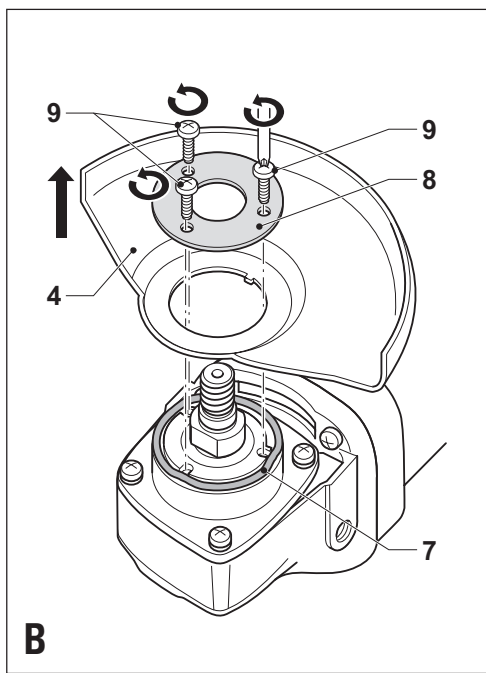
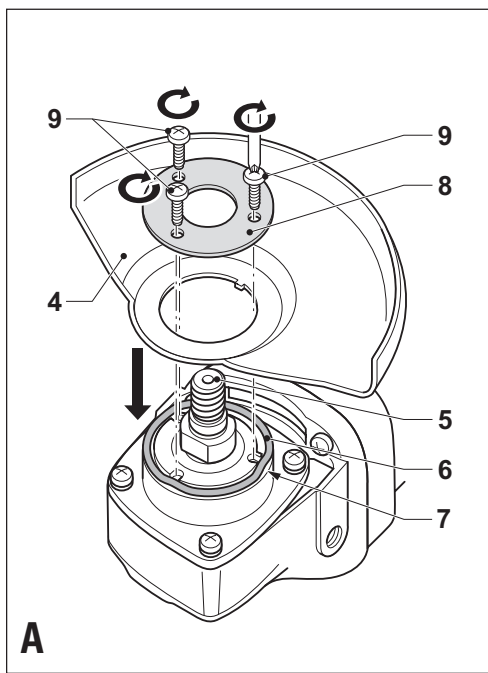
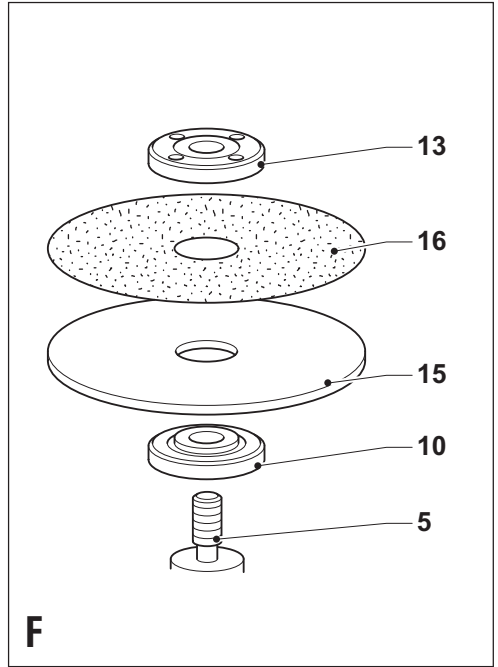
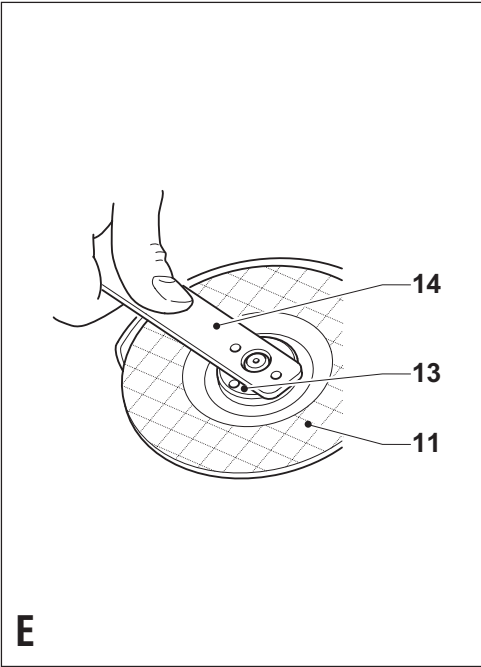


English	4
Deutsch	8
Français	13
Italiano	18
Nederlands	23
Español	28
Português	33
Svenska	38
Norsk	42
Dansk	46
Suomi	51
Ελληνικά	55





## Intended use

Your Black & Decker angle grinder has been designed for cutting metal and masonry using the appropriate type of cutting or grinding disc. This tool is intended for consumer use only.

## Safety instructions

- ◆ **Warning!** When using mains-powered tools, basic safety precautions, including the following, should always be followed to reduce the risk of fire, electric shock, personal injury and material damage.
- ◆ Read all of this manual carefully before operating the tool.
- ◆ Retain this manual for future reference.
- ◆ Remove the plug from the socket before carrying out any adjustment, servicing or maintenance.

### Keep work area clean

Cluttered areas and benches can cause accidents.

### Consider work area environment

Do not expose the tool to rain. Do not use the tool in damp or wet conditions. Keep the work area well lit. Do not use the tool where there is a risk of causing fire or explosion, e.g. in the presence of flammable liquids and gases.

### Keep children away

Do not allow children, visitors or animals to come near the work area or to touch the tool or mains cable.

### Dress properly

Do not wear loose clothing or jewellery, as these can be caught in moving parts. Preferably wear rubber gloves and non-slip footwear when working outdoors. Wear protective hair covering to keep long hair out of the way.

### Personal protection

Always use safety glasses. Use a face or dust mask whenever the operations may produce dust or flying particles.

Hearing protection should be worn.

### Guard against electric shock

Prevent body contact with earthed or grounded surfaces (e.g. pipes, radiators, cookers and refrigerators). Electric safety can be further improved by using a high-sensitivity (30 mA / 30 mS) residual current device (RCD).

### Do not overreach

Keep proper footing and balance at all times.

### Stay alert

Watch what you are doing. Use common sense.

Do not operate the tool when you are tired.

### Secure workpiece

Use clamps or a vice to hold the workpiece. It is safer and it frees both hands to operate the tool.

### Connect dust extraction equipment

If devices are provided for the connection of dust extraction and collection facilities, ensure that these are connected and properly used.

## Remove adjusting keys and wrenches

Always check that adjusting keys and wrenches are removed from the tool before operating the tool.

### Extension cables

Before use, inspect the extension cable and replace if damaged.

When using the tool outdoors, only use extension cables intended for outdoor use. Up to 30 m of Black & Decker extension cable can be used without loss of power.

### Use appropriate tool

The intended use is described in this instruction manual.

Do not force small tools or attachments to do the job of a heavy-duty tool. The tool will do the job better and safer at the rate for which it was intended. Do not force the tool. Do not use the tool for purposes not intended, for example, do not use a circular saw to cut tree limbs or logs.

**Warning!** The use of any accessory or attachment or performance of any operation with this tool other than those recommended in this instruction manual may present a risk of personal injury.

### Check for damaged parts

Before use, carefully check the tool and mains cable for damage. Check for misalignment and seizure of moving parts, breakage of parts, damage to guards and switches and any other conditions that may affect its operation. Ensure that the tool will operate properly and perform its intended function. Do not use the tool if any part is damaged or defective. Do not use the tool if the switch does not turn it on and off. Have any damaged or defective parts repaired or replaced by an authorised repair agent. Never attempt any repairs yourself.

### Unplug the tool

Unplug the tool when it is not in use, before changing any parts of the tool, accessories or attachments and before servicing.

### Avoid unintentional starting

Do not carry the tool with a finger on the on/off switch.

Be sure that the tool is switched off when plugging in.

### Do not abuse cord

Never carry the tool by its cord or pull it to disconnect from the socket. Keep the cord away from heat, oil and sharp edges.

### Store idle tools

When not in use, tools should be stored in a dry, locked up or high place, out of reach of children.

### Maintain tools with care

Keep cutting tools sharp and clean for better and safer performance. Follow the instructions for maintenance and changing accessories. Keep handles and switches dry, clean and free from oil and grease.

### Repairs

This tool complies with relevant safety requirements.

Repairs should only be carried out by qualified persons using original spare parts; otherwise this may result in considerable danger to the user.

**Electrical safety**

This tool is double insulated; therefore no earth wire is required. Always check that the power supply corresponds to the voltage on the rating plate.

**Additional safety instructions for angle grinders**

Read the instruction manual before use.



Wear safety glasses or goggles when operating this tool.



Wear ear protection when operating this tool.

- ◆ Always use eye and ear protection when operating this tool.
- ◆ Personal protective equipment such as dust mask, gloves, helmet and apron should be worn.
- ◆ Do not cut or grind light metal with a magnesium content exceeding 80%, since this type of metal is flammable.
- ◆ Only use grinding and cutting discs and other accessories recommended in this manual.
- ◆ Make sure that the maximum speed of the grinding or cutting disc exceeds the no-load speed of the tool.
- ◆ Do not use grinding and cutting discs that do not conform to the dimensions stated in the technical data. Do not use separate reducing bushings or adapters or make unauthorised modifications to adapt large hole abrasive wheels.
- ◆ Do not cut workpieces requiring a maximum depth of cut exceeding that of the cutting disc.
- ◆ Do not use cutting discs for side grinding.
- ◆ Inspect grinding and cutting discs before each use.
- ◆ Do not use chipped, cracked or otherwise defective discs.
- ◆ Ensure that mounted wheels and points are fitted in accordance with the manufacturer's instructions.
- ◆ Ensure that the abrasive product is correctly mounted and tightened before use and run the tool at no-load for 30 s in a safe position, stop immediately if there is considerable vibration or if other defects are detected. If this condition occurs, check the machine to determine the cause.
- ◆ Ensure that blotters are used when they are provided with the bonded abrasive product and when they are required.
- ◆ When applying a threaded hole disc, ensure that the thread is long enough to accept the spindle length.
- ◆ Never use the tool without the guard.
- ◆ Check that the workpiece is properly supported.
- ◆ Do not exert side pressure on the grinding or cutting disc.

- ◆ Ensure that sparks resulting from use do not create a hazard e.g. do not hit persons, or ignite flammable substances.
- ◆ Beware that after switching off the tool the wheel continues to rotate for a short period.
- ◆ Ensure that ventilation slots are kept clear when working in dusty conditions. If it should become necessary to clear dust, first disconnect the tool from the mains supply. Avoid damaging internal parts, use a soft brush or dry cloth, do not use metallic objects.
- ◆ Abrasive wheels shall be stored and handled with care in accordance with manufacturer's instructions and always store grinding and cutting discs in a dry place.

**Features**

This tool includes some or all of the following features.

1. On/off switch
2. Side handle
3. Spindle lock
4. Guard

**Assembly**

**Warning!** Before assembly, make sure that the tool is switched off and unplugged.

**Fitting and removing the guard (fig. A & B)****Fitting**

- ◆ Place the tool on a table, with the spindle (5) facing up.
- ◆ Place the spring washer (6) over the spindle and locate it on the shoulder (7).
- ◆ Place the guard (4) onto the tool as shown.
- ◆ Place the flange (8) over the spindle with the protruding pips towards the guard. Make sure that the holes in the flange align with the screw holes.
- ◆ Secure the flange with the screws (9). Make sure that the screws are fully tight and that the guard can be rotated.

**Removing**

- ◆ Use a screwdriver to remove the screws (9).
- ◆ Remove the flange (8), guard (4) and spring washer (7). Store these parts carefully.

**Warning!** Never use the tool without the guard.

**Fitting the side handle**

- ◆ Screw the side handle (2) into one of the mounting holes in the tool.

**Warning!** Always use the side handle.

## Fitting and removing grinding or cutting discs (fig. C - E)

Always use the correct type of disc for your application.

Always use discs with the correct diameter and bore size (see technical data).

### Fitting

- ◆ Fit the guard as described above.
- ◆ Place the inner flange (10) onto the spindle (5) as shown (fig. C). Make sure that the flange is correctly located on the flat sides of the spindle.
- ◆ Place the disc (11) onto the spindle (5) as shown (fig. C). If the disc has a raised centre (12), make sure that the raised centre faces the inner flange.
- ◆ Make sure that the disc locates correctly on the inner flange.
- ◆ Place the outer flange (13) onto the spindle. When fitting a grinding disc, the raised centre on the outer flange must face towards the disc (A in fig. D). When fitting a cutting disc, the raised centre on the outer flange must face away from the disc (B in fig. D).
- ◆ Keep the spindle lock (3) depressed and tighten the outer flange using the two-pin spanner (14) (fig. E).

### Removing

- ◆ Keep the spindle lock (3) depressed and loosen the outer flange (13) using the two-pin spanner (14) (fig. E).
- ◆ Remove the outer flange (13) and the disc (11).

## Fitting and removing sanding discs (fig. E & F)

For sanding, a backing pad is required. The backing pad is available from your Black & Decker dealer as an accessory.

### Fitting

- ◆ Place the inner flange (10) onto the spindle (5) as shown (fig. F). Make sure that the flange is correctly located on the flat sides of the spindle.
- ◆ Place the backing pad (15) onto the spindle.
- ◆ Place the sanding disc (16) onto the backing pad.
- ◆ Place the outer flange (13) onto the spindle with the raised centre facing away from the disc.
- ◆ Keep the spindle lock (3) depressed and tighten the outer flange using the two-pin spanner (14) (fig. E). Make sure that the outer flange is fitted correctly and that the disc is clamped tightly.

### Removing

- ◆ Keep the spindle lock (3) depressed and loosen the outer flange (13) using the two-pin spanner (14) (fig. E).
- ◆ Remove the outer flange (13), the sanding disc (16) and the backing pad (15).

## Use

**Warning!** Let the tool work at its own pace. Do not overload.

- ◆ Carefully guide the cable in order to avoid accidentally cutting it.
- ◆ Be prepared for a stream of sparks when the grinding or cutting disc touches the workpiece.
- ◆ Always position the tool in such a way that the guard provides optimum protection from the grinding or cutting disc.

### Switching on and off

- ◆ To switch on, slide the on/off switch (1) forward. Note that the tool will continue running when you release the switch.
- ◆ To switch off, press the rear part of the on/off switch.

**Warning!** Do not switch the tool off while under load.

### Hints for optimum use

- ◆ Firmly hold the tool with one hand around the side handle and the other hand around the main handle.
- ◆ When grinding, always maintain an angle of approx. 15° between the disc and the workpiece surface.

## Maintenance

Your tool has been designed to operate over a long period of time with a minimum of maintenance. Continuous satisfactory operation depends upon proper tool care and regular cleaning.

**Warning!** Before performing any maintenance, switch off and unplug the tool.

- ◆ Regularly clean the ventilation slots in your tool using a soft brush or dry cloth.
- ◆ Regularly clean the motor housing using a damp cloth. Do not use any abrasive or solvent-based cleaner.

### Mains plug replacement (U.K. & Ireland only)

If a new mains plug needs to be fitted:

- ◆ Safely dispose of the old plug.
- ◆ Connect the brown lead to the live terminal in the new plug.
- ◆ Connect the blue lead to the neutral terminal.

**Warning!** No connection is to be made to the earth terminal. Follow the fitting instructions supplied with good quality plugs. Recommended fuse: 5 A.

## Protecting the environment



Separate collection. This product must not be disposed of with normal household waste.

Should you find one day that your Black & Decker product needs replacement, or if it is of no further use to you, do not dispose of it with household waste. Make this product available for separate collection.



Separate collection of used products and packaging allows materials to be recycled and used again. Re-use of recycled materials helps prevent environmental pollution and reduces the demand for raw materials.

Local regulations may provide for separate collection of electrical products from the household, at municipal waste sites or by the retailer when you purchase a new product.

Black & Decker provides a facility for the collection and recycling of Black & Decker products once they have reached the end of their working life. To take advantage of this service please return your product to any authorised repair agent who will collect them on our behalf.

You can check the location of your nearest authorised repair agent by contacting your local Black & Decker office at the address indicated in this manual. Alternatively, a list of authorised Black & Decker repair agents and full details of our after-sales service and contacts are available on the Internet at: [www.2helpU.com](http://www.2helpU.com)

**Technical data**

		AST6	CD105	CD110	CD115
Voltage	V <sub>AC</sub>	230	230	230	230
Power input	W	701	701	701	710
No-load speed	min <sup>-1</sup>	10,000	10,000	10,000	10,000
Disc diameter	mm	115	115	100	115
Disc bore	mm	22	22	16	22
Max disc thickness					
grinding discs	mm	6	6	6	6
cutting discs	mm	3.5	3.5	3.5	3.5
Spindle size		M14	M14	M10	M14
Weight	kg	2.1	2.1	2.1	2.1

**EC declaration of conformity**

AST6/CD105/CD110/CD115

Black & Decker declares that these products conform to: 98/37/EC, 89/336/EEC, EN 50144, EN 55014, EN 61000

L<sub>PA</sub> (sound pressure) 89.9 dB(A), L<sub>WA</sub> (acoustic power) 102.9 dB(A), hand/arm weighted vibration < 2.5 m/s<sup>2</sup>

Kevin Hewitt  
 Director of Consumer Engineering  
 Spennymoor, County Durham DL16 6JG,  
 United Kingdom  
 1-5-2005

**Guarantee**

Black & Decker is confident of the quality of its products and offers an outstanding guarantee. This guarantee statement is in addition to and in no way prejudices your statutory rights. The guarantee is valid within the territories of the Member States of the European Union and the European Free Trade Area.

If a Black & Decker product becomes defective due to faulty materials, workmanship or lack of conformity, within 24 months from the date of purchase, Black & Decker guarantees to replace defective parts, repair products subjected to fair wear and tear or replace such products to ensure minimum inconvenience to the customer unless:

- ◆ The product has been used for trade, professional or hire purposes;
- ◆ The product has been subjected to misuse or neglect;
- ◆ The product has sustained damage through foreign objects, substances or accidents;
- ◆ Repairs have been attempted by persons other than authorised repair agents or Black & Decker service staff.

To claim on the guarantee, you will need to submit proof of purchase to the seller or an authorised repair agent. You can check the location of your nearest authorised repair agent by contacting your local Black & Decker office at the address indicated in this manual. Alternatively, a list of authorised Black & Decker repair agents and full details of our after-sales service and contacts are available on the Internet at:

[www.2helpU.com](http://www.2helpU.com)

Please visit our website [www.blackanddecker.co.uk](http://www.blackanddecker.co.uk) to register your new Black & Decker product and to be kept up to date on new products and special offers. Further information on the Black & Decker brand and our range of products is available at [www.blackanddecker.co.uk](http://www.blackanddecker.co.uk)

## Bestimmungsgemäße Verwendung

Ihr Black & Decker Winkelschleifer wurde für das Schneiden und Schleifen von Metall und Mauerwerk unter Verwendung der entsprechenden Trenn- bzw. Schleifscheibe konstruiert. Dieses Gerät ist nicht für den gewerblichen Einsatz vorgesehen.

## Sicherheitshinweise

- ◆ **Warnung!** Bei der Verwendung elektrischer Geräte sind zum Schutz gegen Feuergefahr, gegen elektrischen Schlag sowie gegen Körper- und Sachschaden grundlegende Sicherheitsmaßnahmen, einschließlich der folgenden Vorschriften, zu beachten.
- ◆ Lesen Sie diese Anleitung gründlich durch, bevor Sie das Gerät verwenden.
- ◆ Bewahren Sie diese Anleitung auf.
- ◆ Ziehen Sie immer den Netzstecker, bevor Sie Einstellungs- oder Wartungsarbeiten durchführen.

### Halten Sie Ihren Arbeitsbereich in Ordnung!

Unordnung im Arbeitsbereich führt zu Unfallgefahren.

### Berücksichtigen Sie Umgebungseinflüsse!

Setzen Sie das Gerät keinem Regen aus. Verwenden Sie das Gerät nicht in einer feuchten oder nassen Umgebung. Sorgen Sie für eine gute Beleuchtung des Arbeitsbereiches. Benutzen Sie das Gerät nicht an Orten, wo Feuergefahr oder Explosionsgefahr besteht, z.B. in der Nähe von brennbaren Flüssigkeiten oder Gasen.

### Halten Sie Kinder fern!

Halten Sie Kinder, Besucher und Tiere dem Arbeitsbereich fern und sorgen Sie dafür, daß sie das Gerät und das Netzkabel nicht berühren.

### Tragen Sie geeignete Arbeitskleidung!

Tragen Sie keine weite Kleidung oder Schmuck, da diese von sich bewegenden Teilen erfaßt werden können. Beim Arbeiten im Freien sind Arbeitshandschuhe und rutschfestes Schuhwerk empfehlenswert. Tragen Sie bei langen Haaren ein Haarnetz.

### Schutzmaßnahmen:

Verwenden Sie immer eine Schutzbrille. Tragen Sie eine Atemschutzmaske, falls die Arbeiten Staub oder Späne erzeugen können. Tragen Sie einen Gehörschutz.

### Schutz vor elektrischem Schlag:

Vermeiden Sie eine Körperberührung mit geerdeten Objekten (z.B. Rohren, Heizkörpern, Herden und Kühlschränken). Die elektrische Sicherheit läßt sich durch Verwendung eines Fehlerstrom-Schutzschalters (30 mA / 30 mS) weiter erhöhen.

### Achten Sie auf einen sicheren Stand!

Achten Sie auf einen sicheren Stand, um in jeder Arbeitsposition das Gleichgewicht zu halten.

### Seien Sie stets aufmerksam!

Konzentrieren Sie sich auf Ihre Arbeit. Gehen Sie vernünftig vor. Verwenden Sie das Gerät nicht, wenn Sie müde sind.

### Sichern Sie das Werkstück!

Benutzen Sie Spannvorrichtungen oder einen Schraubstock, um das Werkstück festzuhalten. Es ist damit sicherer gehalten und ermöglicht die Bedienung des Gerätes mit beiden Händen.

### Schließen Sie Vorrichtungen zur Staubabsaugung an!

Falls Vorrichtungen zur Absaugung oder zum Sammeln von Staub an das Gerät angeschlossen werden können, vergewissern Sie sich, daß diese angeschlossen sind und ordnungsgemäß verwendet werden.

### Lassen Sie keine Schlüssel stecken!

Überprüfen Sie vor dem Einschalten, ob die Schlüssel und Einstellwerkzeuge entfernt sind.

### Verlängerungskabel

Prüfen Sie vor dem Gebrauch das Verlängerungskabel und tauschen Sie es aus, falls es beschädigt ist. Wenn Sie das Gerät im Freien verwenden, verwenden Sie nur Verlängerungskabel, die sich für den Einsatz im Freien eignen. Ein bis zu 30 m langes Black & Decker Verlängerungskabel kann verwendet werden, ohne daß Leistungsverluste entstehen.

### Benutzen Sie das richtige Gerät!

Die bestimmungsgemäße Verwendung ist in dieser Betriebsanleitung beschrieben. Verwenden Sie keine zu schwachen Geräte oder Zubehörteile für schwere Arbeiten. Mit dem richtigen Gerät erzielen Sie eine optimale Qualität und gewährleisten Ihre persönliche Sicherheit. Überlasten Sie das Gerät nicht. Verwenden Sie das Gerät nicht für andere Zwecke als vorgesehen; verwenden Sie z.B. eine Handkreissäge nicht zum Sägen von Baumstämmen und Ästen.

**Warnung!** Das Verwenden anderer als der in dieser Anleitung empfohlenen Vorsatzgeräte und Zubehörteile oder die Ausführung von Arbeiten mit diesem Gerät, die nicht der bestimmungsgemäßen Verwendung entsprechen, kann zu Unfallgefahren führen.

### Kontrollieren Sie Ihr Gerät auf Beschädigungen!

Überprüfen Sie das Gerät und das Netzkabel vor der Arbeit auf Beschädigungen. Überprüfen Sie, ob alle beweglichen Teile richtig montiert sind, ob keine Teile gebrochen sind, ob keine Schutzvorrichtungen und Schalter beschädigt sind, und ob irgendwelche anderen Schäden den einwandfreien Betrieb des Gerätes beeinträchtigen könnten. Vergewissern Sie sich, daß das Gerät ordnungsgemäß funktionieren wird. Benutzen Sie das Gerät nicht, wenn ein Teil defekt ist. Verwenden Sie das Gerät nicht, wenn der Ein-/Aus-Schalter nicht funktioniert. Lassen Sie defekte Teile immer von einer unserer Kundendienstwerkstätten reparieren oder austauschen. Versuchen Sie nie, das Gerät selber zu reparieren.

### Ziehen Sie den Netzstecker!

Ziehen Sie den Netzstecker, wenn Sie das Gerät nicht benutzen, bevor Sie irgendwelche Werkzeuge, Zubehörteile oder Geräteteile auswechseln und bevor Sie irgendwelche Wartungsarbeiten vornehmen.



**Vermeiden Sie ein unbeabsichtigtes Einschalten!**

Tragen Sie das Gerät nicht mit dem Finger am Ein-/Aus-Schalter. Vergewissern Sie sich, daß das Gerät ausgeschaltet ist, wenn Sie es an die Stromversorgung anschließen.

**Behandeln Sie das Kabel sorgfältig!**

Tragen Sie das Gerät nicht am Kabel und benutzen Sie das Kabel nicht, um den Stecker aus der Steckdose zu ziehen. Schützen Sie das Kabel vor Hitze, Öl und scharfen Kanten.

**Bewahren Sie Ihre Geräte sicher auf!**

Unbenutzte Geräte sind an einem trockenen, für Kinder nicht erreichbaren Ort aufzubewahren.

**Pflegen Sie Ihre Geräte mit Sorgfalt!**

Halten Sie Schneidwerkzeuge scharf und sauber, um gut und sicher arbeiten zu können. Befolgen Sie die Wartungsvorschriften und die Hinweise für den Werkzeugwechsel. Halten Sie Handgriffe und Schalter trocken, sauber und frei von Öl und Fett.

**Reparaturen:**

Dieses Gerät entspricht den einschlägigen Sicherheitsvorschriften. Reparaturen sind nur von autorisierten Fachkräften und mit Original-Ersatzteilen vorzunehmen; andernfalls kann Unfallgefahr für den Betreiber entstehen.

**Elektrische Sicherheit:**

Dieses Gerät ist schutzisoliert, daher ist keine Erdleitung erforderlich. Überprüfen Sie stets, ob die Netzspannung der auf dem Typenschild angegebenen Spannung entspricht.

**Zusätzliche Sicherheitsvorschriften für Winkelschleifer**

Lesen Sie vor dem Gebrauch sorgfältig die Bedienungsanleitung.



Tragen Sie bei der Verwendung dieses Geräts eine Schutzbrille!



Tragen Sie bei der Verwendung dieses Geräts einen Gehörschutz!

- ◆ Verwenden Sie beim Betrieb dieses Geräts stets einen Augen- und Gehörschutz.
- ◆ Es sollte Personenschutz ausrüstung wie Staubmaske, Handschuhe, ein Helm und eine Schürze getragen werden.
- ◆ Trennen bzw. schleifen Sie keine Leichtmetalle mit einem Magnesiumgehalt über 80%, da solche Metalle brennbar sind.
- ◆ Verwenden Sie ausschließlich die in diesem Handbuch empfohlenen Schleif- bzw. Trennscheiben und anderen Zubehörteile.
- ◆ Stellen Sie sicher, daß die maximale Drehzahl der Schleif- bzw. Trennscheibe größer ist als die Leerlaufdrehzahl des Werkzeugs.
- ◆ Verwenden Sie keine Schleif- bzw. Trennscheiben, die nicht mit den in den technischen Daten angegebenen Abmessungen übereinstimmen. Verwenden Sie keine separaten Reduzierbuchsen oder -adapter, und führen Sie keine unerlaubten Änderungen durch, um Schleifscheiben mit einem großen Lochdurchmesser anzupassen.
- ◆ Trennen Sie keine Werkstücke, deren Stärke größer ist als die maximale Schnitttiefe der Trennscheibe.
- ◆ Verwenden Sie keine Trennscheiben für seitliches Schleifen.
- ◆ Überprüfen Sie die Schleif- oder Trennscheiben vor jedem Gebrauch. Verwenden Sie keine Schleifscheiben, die abgeblättert, gerissen oder anderweitig beschädigt sind.
- ◆ Vergewissern Sie sich, daß angebrachte Räder und Punkte gemäß den Anweisungen des Herstellers montiert wurden.
- ◆ Vergewissern Sie sich, dass die Schleifscheibe richtig befestigt und angezogen ist, bevor Sie das Gerät verwenden. Lassen Sie das Gerät danach 30 Sekunden lang unbelastet in einer sicheren Position laufen. Schalten Sie es sofort ab, falls starke Vibrationen auftreten oder andere Schäden festgestellt werden. Tritt dieser Zustand ein, überprüfen Sie das Gerät, um die Ursache festzustellen.
- ◆ Vergewissern Sie sich, dass die Haftscheiben verwendet werden, falls diese Bestandteil des Lieferumfangs der Scheiben sind und somit benötigt werden.
- ◆ Beim Anbringen einer Scheibe mit Gewindebohrung vergewissern Sie sich, daß das Gewinde lang genug für die Spindellänge ist.
- ◆ Verwenden Sie das Gerät nie ohne die Schutzvorrichtung.
- ◆ Stellen Sie sicher, daß das Werkstück sicher gestützt wird.
- ◆ Üben Sie keinen seitlichen Druck auf die Schleif- bzw. Trennscheibe aus.
- ◆ Vergewissern Sie sich, daß die durch den Gebrauch entstehenden Funken keine Gefahr darstellen, d.h. keine Personen berühren oder brennbare Substanzen entzünden.
- ◆ Seien Sie sich darüber im Klaren, daß nach dem Abschalten des Geräts sich die Scheibe eine kurze Zeit weiterdreht.
- ◆ Stellen Sie sicher, daß die Belüftungsschlitze freigehalten werden, wenn in staubigen Umgebungen gearbeitet wird. Sollte es erforderlich werden, den Staub zu beseitigen, trennen Sie das Gerät zunächst vom Stromnetz.
- ◆ Vermeiden Sie eine Beschädigung der internen Teile. Verwenden Sie eine weiche Bürste oder einen trockenen Lappen. Verwenden Sie keine Metallgegenstände.
- ◆ Schleifscheiben müssen vorsichtig und gemäß den Anweisungen des Herstellers aufbewahrt und behandelt werden. Schleif- und Trennscheiben sind immer an einem trockenen Ort aufzubewahren.

## Merkmale

Dieses Gerät weist einige oder alle der folgenden Merkmale auf.

1. Ein-/Aus-Schalter
2. Seitenhandgriff
3. Spindelarrretierung
4. Schutzvorrichtung

## Montage

**Achtung!** Vergewissern Sie sich vor der Montage, daß das Gerät ausgeschaltet ist und daß der Netzstecker gezogen wurde.

### Anbringen und Entfernen der Schutzvorrichtung (Abb. A & B)

#### Anbringen

- ◆ Legen Sie das Gerät mit der Spindel (5) nach oben weisend auf einen Tisch.
- ◆ Legen Sie den Federring (6) über die Spindel und auf den Ansatz (7).
- ◆ Bringen Sie die Schutzvorrichtung (4) gemäß der Abbildung am Gerät an.
- ◆ Legen Sie den Flansch (8) mit den Spitzen zur Schutzvorrichtung weisend über die Spindel. Stellen Sie sicher, dass die Bohrungen im Flansch genau über den Schraubenbohrungen liegen.
- ◆ Befestigen Sie den Flansch mit den Schrauben (9). Sorgen Sie dafür, daß die Schrauben fest angezogen sind und die Schutzvorrichtung gedreht werden kann.

#### Entfernen

- ◆ Entfernen Sie die Schrauben (9) mit einem Schraubendreher.
- ◆ Entfernen Sie den Flansch (8), die Schutzhaube (4) und den Federring (7). Bewahren Sie diese Teile sorgfältig auf.

**Achtung!** Verwenden Sie das Gerät nie ohne den Handschutz.

### Anbringen des Seitenhandgriffs

- ◆ Schrauben Sie den Seitenhandgriff (2) in eines der Befestigungslöcher im Gerät.

**Achtung!** Verwenden Sie stets den Seitenhandgriff.

### Anbringen und Entfernen der Schleif- bzw. Trennscheiben (Abb. C - E)

Verwenden Sie stets den richtigen Scheibentyp für Ihre Anwendung. Verwenden Sie stets Scheiben mit dem richtigen Durchmesser und der richtigen Bohrungsgröße (siehe technische Daten).

#### Anbringen

- ◆ Bringen Sie die Schutzvorrichtung wie oben beschrieben an.

- ◆ Setzen Sie den Innenflansch (10) gemäß Abbildung auf die Spindel (5) (Abb. C). Stellen Sie sicher, daß der Flansch richtig auf den Flachseiten der Spindel sitzt.
- ◆ Setzen Sie die Scheibe (11) gemäß Abbildung auf die Spindel (5) (Abb. C). Falls die Scheibe eine Mittenerhebung (12) aufweist, stellen Sie sicher, daß die Mittenerhebung zum Innenflansch weist.
- ◆ Stellen Sie sicher, daß die Scheibe richtig auf dem Innenflansch sitzt.
- ◆ Setzen Sie den Außenflansch (13) auf die Spindel. Beim Anbringen einer Schleifscheibe muß die Mittenerhebung am Außenflansch zur Scheibe weisen (A in Abb. D). Beim Anbringen einer Trennscheibe muß die Mittenerhebung am Außenflansch von der Scheibe wegweisen (B in Abb. D).
- ◆ Halten Sie die Spindelarrretierung (3) gedrückt, und ziehen Sie den Außenflansch mit dem Gabelschlüssel (14) an (Abb. E).

#### Entfernen

- ◆ Halten Sie die Spindelarrretierung (3) gedrückt, und lösen Sie den Außenflansch (13) mit dem Gabelschlüssel (14) (Abb. E).
- ◆ Entfernen Sie den Außenflansch (13) und die Scheibe (11).

### Anbringen und Entfernen von Schleifpapierscheiben (Abb. E & F)

Zum Schleifen mit Schleifpapierscheiben ist ein Schleifteller erforderlich. Der Schleifteller ist bei Ihrem Black & Decker Händler als Zubehör erhältlich.

#### Anbringen

- ◆ Setzen Sie den Innenflansch (10) gemäß Abbildung auf die Spindel (5) (Abb. F). Stellen Sie sicher, daß der Flansch richtig auf den Flachseiten der Spindel sitzt.
- ◆ Setzen Sie den Schleifteller (15) auf die Spindel.
- ◆ Setzen Sie die Schleifpapierscheibe (16) auf den Schleifteller.
- ◆ Setzen Sie den Außenflansch (13) mit der Mittenerhebung von der Scheibe wegweisend auf die Spindel.
- ◆ Halten Sie die Spindelarrretierung (3) gedrückt, und ziehen Sie den Außenflansch mit dem Gabelschlüssel (14) an (Abb. E). Vergewissern Sie sich, daß der Außenflansch richtig angebracht und die Scheibe fest eingeklemmt ist.

#### Entfernen

- ◆ Halten Sie die Spindelarrretierung (3) gedrückt, und lösen Sie den Außenflansch (13) mit dem Gabelschlüssel (14) (Abb. E).
- ◆ Entfernen Sie den Außenflansch (13), die Schleifpapierscheibe (16) und den Schleifteller (15).

## Gebrauch

**Achtung!** Beschleunigen Sie den Arbeitsvorgang nicht mit Gewalt. Vermeiden Sie eine Überlastung des Gerätes.

- ◆ Führen Sie das Kabel sorgfältig, damit Sie es nicht versehentlich durchschneiden.
- ◆ Seien Sie auf ein Funkensprühen vorbereitet, sobald die Schleif- bzw. Trennscheibe das Werkstück berührt.
- ◆ Halten Sie das Werkzeug stets in einer Lage, in der die Schutzvorrichtung einen optimalen Schutz vor der Schleif- bzw. Trennscheibe bietet.

## Ein- und Ausschalten

- ◆ Zum Einschalten schieben Sie den Ein-/Ausschalter (1) nach vorn. Beachten Sie, daß das Gerät nach dem Loslassen des Ein-/Ausschalters eingeschaltet bleibt.
- ◆ Zum Ausschalten drücken Sie den hinteren Teil des Ein-/Ausschalters.

**Achtung!** Schalten Sie das Gerät nicht unter Last aus.

## Hinweise für optimale Arbeitsergebnisse

- ◆ Halten Sie das Gerät sicher mit der einen Hand am Seitenhandgriff und mit der anderen Hand am Haupthandgriff fest.
- ◆ Behalten Sie beim Schleifen immer einen Winkel von ca. 15 Grad zwischen der Scheibe und der Werkstückfläche bei.

## Wartung

Ihr Werkzeug wurde im Hinblick auf eine lange Lebensdauer und einen möglichst geringen Wartungsaufwand entwickelt. Ein dauerhafter, einwandfreier Betrieb setzt eine regelmäßige Pflege und Reinigung voraus.

**Achtung!** Bevor Sie irgendwelche Wartungsarbeiten vornehmen, schalten Sie das Gerät aus, und ziehen Sie den Netzstecker.

- ◆ Reinigen Sie regelmäßig die Lüftungsschlitze im Gerät mit Hilfe einer weichen Bürste oder eines trockenen Tuches.
- ◆ Reinigen Sie regelmäßig das Motorgehäuse mit Hilfe eines feuchten Tuches. Verwenden Sie keine scheuernden Reinigungsmittel oder Reinigungsmittel auf Lösungsmittelbasis.

## Umweltschutz



Getrennte Entsorgung. Dieses Produkt darf nicht über den normalen Hausmüll entsorgt werden.

Sollte Ihr Black & Decker Produkt eines Tages erneuert werden müssen, oder falls Sie es nicht weiter verwenden wollen, so darf es nicht über den Hausmüll entsorgt werden. Stellen Sie dieses Produkt zur getrennten Entsorgung bereit.



Durch die getrennte Entsorgung gebrauchter Produkte und Verpackungen können die Materialien recycelt und wiederverwertet werden. Die Wiederverwertung recycelter Materialien schont die Umwelt und verringert die Nachfrage nach Rohstoffen.

Die regionalen Bestimmungen schreiben unter Umständen die getrennte Entsorgung elektrischer Produkte aus dem Haushalt an Sammelstellen oder seitens des Händlers vor, bei dem Sie das neue Produkt erworben haben.

Black & Decker nimmt Ihre ausgedienten Black & Decker Geräte gern zurück und sorgt für eine umweltfreundliche Entsorgung und Wiederverwertung. Um diesen Dienst zu nutzen, schicken Sie bitte Ihr Produkt zu einer Vertragswerkstatt. Hier wird es dann auf unsere Kosten gesammelt.

Die Adresse der zuständigen Black & Decker Vertretung steht in diesem Handbuch, darüber läßt sich die nächstgelegene Vertragswerkstatt ermitteln. Außerdem ist eine Liste der Vertragswerkstätten und aller Kundendienststellen von Black & Decker sowie der zuständigen Ansprechpartner im Internet zu finden unter: [www.2helpU.com](http://www.2helpU.com)

## Technische Daten

		AST6	CD105	CD110	CD115
Spannung	V <sub>AC</sub>	230	230	230	230
Leistungsaufnahme	W	701	701	701	710
Leerlaufdrehzahl	min <sup>-1</sup>	10.000	10.000	10.000	10.000
Scheibendurchmesser	mm	115	115	100	115
Scheibenbohrung	mm	22	22	16	22
Maximal Stärke der Scheiben					
Schleifscheiben	mm	6	6	6	6
Trennscheiben	mm	3,5	3,5	3,5	3,5
Spindelgröße		M14	M14	M10	M14
Gewicht	kg	2,1	2,1	2,1	2,1

## EG-Konformitätserklärung

AST6/CD105/CD110/CD115

Black & Decker erklärt, daß diese Produkte folgende Konformität erfüllen:

98/37/EWG, 89/336/EWG, EN 50144, EN 55014, EN 61000

$L_{pA}$  (Schalldruck) 89,9 dB(A),  $L_{WA}$  (Schalleistung) 102,9 dB(A),  
gewichtete Hand-/Armvibrationen < 2,5 m/s<sup>2</sup>



Kevin Hewitt  
Director of Consumer Engineering  
Spennymoor, County Durham DL16 6JG,  
Vereinigtes Königreich  
1-5-2005

Bitte besuchen Sie unsere Webseite

**www.blackanddecker.de**, um Ihr neues Black & Decker Produkt zu registrieren und über neue Produkte und Sonderangebote aktuell informiert zu werden.

Weitere Informationen über die Marke Black & Decker und unsere Produkte finden Sie unter **www.blackanddecker.de**

## Garantie

Black & Decker vertraut auf die Qualität der eigenen Geräte und bietet dem Käufer eine außergewöhnliche Garantie.

Diese Garantiezusage versteht sich unbeschadet der gesetzlichen Gewährleistungsansprüche und schränkt diese keinesfalls ein. Sie gilt in sämtlichen Mitgliedsstaaten der Europäischen Union und der Europäischen Freihandelszone EFTA.

Tritt innerhalb von 24 Monaten ab Kaufdatum an einem Gerät von Black & Decker ein auf Material- oder Verarbeitungsfehler zurückzuführender Mangel auf, garantiert Black & Decker den Austausch defekter Teile, die Reparatur von Geräten mit üblichem Verschleiß bzw. den Austausch eines mangelhaften Geräts, ohne den Kunden dabei mehr als unbedingt nötig in Anspruch zu nehmen, allerdings vorbehaltlich folgender Ausnahmen:

- ◆ wenn das Gerät gewerblich, beruflich oder im Verleihgeschäft benutzt wurde;
- ◆ wenn das Gerät mißbräuchlich verwendet oder mit mangelnder Sorgfalt behandelt wurde;
- ◆ wenn das Gerät durch irgendwelche Fremdeinwirkung beschädigt wurde;
- ◆ wenn ein unbefugter Reparaturversuch durch anderes Personal als das einer Vertragswerkstatt oder des Black & Decker-Kundendienstes unternommen wurde.

Zur Inanspruchnahme dieser Garantie ist dem Verkäufer bzw. der Vertragswerkstatt ein Kaufnachweis vorzulegen. Der Kaufnachweis muß Kaufdatum und Gerätetyp bescheinigen. Die Adresse des zuständigen Büros von Black & Decker steht in dieser Anleitung, darüber läßt sich die nächstgelegene Vertragswerkstatt ermitteln. Außerdem ist eine Liste der Vertragswerkstätten und aller Kundendienststellen von Black & Decker sowie der zuständigen Ansprechpartner im Internet zu finden unter: **www.2helpU.com**

## Utilisation prévue

Votre meuleuse d'angle Black & Decker a été conçue pour découper le métal et le béton grâce à des disques de tronçonnage ou de meulage spécifiques.

Cet outil a été conçu pour une utilisation exclusivement domestique.

## Instructions de sécurité

- ◆ **Attention!** Lors de l'utilisation d'outils électriques, observez les consignes fondamentales de sécurité, y compris celles qui suivent afin de réduire les risques d'incendie, de décharges électriques, de blessures et de dommages matériels.
- ◆ Lisez et observez attentivement les instructions avant d'utiliser l'outil.
- ◆ Conservez ces instructions.
- ◆ Débranchez l'outil avant d'effectuer tout réglage, entretien ou réparation.

### Tenez votre aire de travail propre et bien rangée

Le désordre augmente les risques d'accident.

### Tenez compte des conditions ambiantes

N'exposez pas l'outil à la pluie. N'exposez pas l'outil à l'humidité. Veillez à ce que l'aire de travail soit bien éclairée. N'utilisez pas l'outil s'il existe un risque d'incendie ou d'explosion, par exemple en présence de liquides ou de gaz inflammables.

### Tenez les enfants éloignés

Ne laissez pas les enfants, les visiteurs ou les animaux s'approcher de l'aire de travail ou toucher l'outil ou le câble d'alimentation.

### Portez des vêtements de travail appropriés

Ne pas porter de vêtements flottants ou de bijoux. Ils pourraient être happés par les pièces en mouvement. Lors de travaux à l'extérieur, il est recommandé de porter des gants en caoutchouc et des chaussures à semelle anti-dérapante. Le cas échéant, attachez vos cheveux s'ils sont longs, ou couvrez vous la tête.

### Protection

Portez toujours des lunettes de protection. Portez des lunettes de protection et un masque pour protéger le visage si le travail exécuté produit de la poussière ou des copeaux volants. Portez des protections auditives.

### Protégez-vous des décharges électriques.

Veillez à ce que le corps n'entre pas en contact avec des surfaces reliées à la prise de masse ou de terre (par ex. tuyaux, radiateurs, cuisinières et réfrigérateurs). Utilisez un interrupteur de protection contre les courants de court-circuits à haute sensibilité (30 mA / 30 mS) pour améliorer la sécurité électrique.

### Adoptez une position confortable

Toujours tenir les deux pieds à terre et garder l'équilibre.

### Faites preuve de vigilance

Observez votre travail. Faites preuve de bon sens.

Ne pas employer l'outil en cas de fatigue.

### Fixez bien la pièce à travailler

Pour plus de sécurité, fixez la pièce à travailler avec un dispositif de serrage ou un étai. Ainsi, vous aurez les deux mains libres pour manier l'outil.

### Branchez le dispositif d'extraction de poussière.

Si vous disposez de systèmes pour brancher les dispositifs d'extraction et de ramassage de poussière, assurez-vous qu'ils sont bien branchés et qu'ils fonctionnent correctement.

### Enlevez les clés et outils de réglage

Avant de mettre l'outil en marche, retirez les clés et outils de réglage.

### Rallonges

Vérifiez la rallonge avant de l'utiliser et remplacez-la en cas de dommage. Si vous souhaitez utiliser cet outil à l'extérieur, n'utilisez que des rallonges prévues à cet effet. Des rallonges Black & Decker de 30 m de longueur peuvent être utilisées sans perte de puissance.

### Utilisez l'outil adéquat

Le domaine d'utilisation de l'outil est décrit dans le présent manuel. Ne pas utiliser d'outils ou d'accessoires de trop faible puissance pour exécuter des travaux lourds. L'utilisation d'accessoires autres que ceux recommandés dans le présent manuel pourrait entraîner un risque de blessure. Ne forcez pas l'outil. N'utilisez jamais l'outil pour effectuer des travaux autres que ceux pour lesquels il a été conçu, par exemple n'utilisez pas les scies circulaires pour scier des branches d'arbres ou des bûches.

**Attention!** Utilisez l'outil conformément à sa destination.

### Contrôlez les dommages éventuels de votre outil

Avant d'utiliser l'outil et le câble d'alimentation, vérifiez soigneusement qu'ils ne sont pas endommagés. Vérifiez l'alignement des pièces en mouvement, leur prise et toute rupture de pièces, tout dommage des protections et des interrupteurs et toute autre condition pouvant affecter le fonctionnement de l'outil. Veillez à ce que l'outil fonctionne correctement et qu'il exécute les tâches pour lesquelles il est prévu. N'utilisez pas l'outil si une pièce est défectueuse. Ne pas utiliser l'outil si l'interrupteur marche/arrêt ne fonctionne pas. Faites réparer ou échangez toute pièce endommagée par un service de réparation agréé. Ne tentez jamais de le réparer vous-même.

### Retirez l'outil de la prise

Retirez l'outil de la prise lorsque l'outil n'est pas utilisé, avant de changer toute pièce de l'outil ou tout accessoire et avant de procéder à l'entretien.

### Évitez tout démarrage involontaire

Ne portez pas l'outil avec un doigt sur l'interrupteur marche/arrêt. Assurez-vous que l'outil est en position d'arrêt avant de le brancher.

## Ne tirez pas sur le câble d'alimentation

Ne portez jamais l'outil par le câble et ne tirez pas sur celui-ci pour le débrancher de la prise. Préservez le câble de la chaleur, de l'huile et des arêtes tranchantes.

## Rangez vos outils dans un endroit sûr

Lorsque vous n'utilisez pas vos outils, rangez-les dans un endroit sec, fermé ou élevé, hors de portée des enfants.

## Entretenez vos outils avec soin

Maintenez vos outils affûtés et propres afin de travailler mieux et plus sûrement. Suivez les instructions d'entretien et de changement d'accessoires. Maintenez les poignées et les interrupteurs secs, propres et exempts d'huile et de graisse.

## Réparations

Cet outil est conforme aux conditions de sécurité requises. Les réparations devront uniquement être effectuées par des personnes qualifiées utilisant des pièces de rechange d'origine ; en cas contraire, cela pourrait être très dangereux pour l'utilisateur.

## Sécurité électrique



L'outil est doublement isolé; par conséquent, une prise de terre n'est pas nécessaire. Vérifiez si la tension secteur correspond à la tension indiquée sur la plaque d'identification.

## Consignes de sécurité supplémentaires pour les meuleuses d'angle.



Lisez le manuel d'instruction avant utilisation.



Portez des lunettes de sécurité lorsque vous utilisez cet outil.



Portez des protections auditives lorsque vous utilisez cet outil.

- ◆ Portez toujours des lunettes de sécurité et une protection auditive pour utiliser cet outil.
- ◆ Le port d'équipements de protection personnelle – masque à poussière, gants, casque et tablier – est recommandé.
- ◆ Ne tronçonnez ou ne meulez pas de métaux légers avec un mélange d'une contenance en magnésium de plus de 80%. Ce type de métal est en effet inflammable.
- ◆ Utilisez uniquement des disques de meulage et de tronçonnage ou d'autres accessoires recommandés dans ce manuel.
- ◆ Assurez-vous que la vitesse maximale du disque de meulage ou de tronçonnage dépasse la vitesse à vide de l'outil.
- ◆ N'utilisez pas des disques de meulage et de tronçonnage ne répondant pas aux dimensions indiquées dans les données techniques.

N'utilisez pas de bague de réduction ou d'adaptateurs séparés et n'apportez aucune modification sans autorisation préalable afin d'adapter des disques abrasifs à grands trous.

- ◆ Ne tronçonnez pas de pièces exigeant une profondeur de coupe plus grande que celle du disque de tronçonnage.
- ◆ N'utilisez pas de disques de tronçonnage pour le meulage latéral.
- ◆ Vérifiez l'état des disques de meulage et de tronçonnage avant chaque utilisation. N'utilisez pas de disque ébréché, fissuré ou autre.
- ◆ Assurez-vous que les disques et les pointes montés sont installés selon les instructions du fabricant.
- ◆ Assurez-vous que le disque abrasif est correctement monté et serré avant de mettre en marche et d'utiliser l'outil à vide pendant 30 s en position de sécurité. Arrêtez immédiatement l'outil en présence de vibrations importantes ou si d'autres dysfonctionnements sont détectés. Dans ce cas, contrôlez la machine pour déterminer la cause du dysfonctionnement.
- ◆ Assurez-vous que des disques intermédiaires (s'ils sont fournis) sont utilisés avec le disque abrasif lorsque c'est nécessaire.
- ◆ Lors de l'utilisation d'un disque à trou fileté, vérifiez que le filetage est assez long pour accueillir toute la longueur de l'arbre.
- ◆ N'utilisez pas l'outil sans carter protecteur.
- ◆ Vérifiez que la pièce de travail est bien correctement soutenue.
- ◆ N'exercez pas de pression latérale sur le disque de meulage ou de tronçonnage.
- ◆ Assurez-vous que les étincelles produites par l'utilisation ne génèrent pas de risque (atteindre les personnes ou allumer des substances inflammables).
- ◆ Après avoir débranché l'outil, la roue continue à tourner pendant quelque temps.
- ◆ Assurez-vous que les orifices de ventilation ne sont pas obstrués si l'atmosphère de travail est poussiéreuse. Si la poussière devait être éliminée, débranchez tout d'abord l'outil du secteur. Évitez d'endommager les parties internes. Utilisez une brosse douce ou un chiffon sec. N'utilisez aucun objet métallique.
- ◆ Les disques abrasifs doivent être rangés et manipulés avec soin, en respectant les instructions du fabricant, et les disques de tronçonnage et de meulage toujours être rangés dans un endroit sec.

## Caractéristiques

Cet outil comprend toutes ou certaines des caractéristiques suivantes.

1. Interrupteur marche/arrêt
2. Poignée latérale

3. Verrouillage de l'arbre
4. Carter de protection

## Assemblage

**Attention !** Avant l'assemblage, assurez-vous que l'outil est éteint et débranché.

### Installation et retrait du carter de protection (fig. A & B)

#### Pose

- ◆ Placez l'outil sur une table, arbre (5) tourné vers le haut.
- ◆ Placez la rondelle à ressort (6) sur l'arbre et engagez-la dans l'épaulement (7).
- ◆ Placez le carter de protection (4) sur l'outil selon le schéma.
- ◆ Placez la bride (8) sur l'arbre avec les lèvres protubérantes dirigées vers le carter. Assurez-vous que les trous du flasque sont alignés avec les trous pour les vis.
- ◆ Fixez la bride avec les vis (9). Vérifiez que les vis sont bien serrées et que le carter de protection peut tourner.

#### Retrait

- ◆ Utilisez un tournevis pour enlever les vis (9).
- ◆ Retirez le flasque (8), le carter (4) et la rondelle à ressort (7). Rangez ces pièces dans un endroit sûr.

**Attention !** N'utilisez pas l'outil sans carter de protection.

### Montage de la poignée latérale

- ◆ Vissez la poignée latérale (2) dans l'un des orifices de montage de l'outil.

**Attention !** Utilisez toujours la poignée latérale.

### Montage et démontage des disques de meulage ou de tronçonnage (fig. C - E)

Utilisez toujours le bon type de disque adapté à votre application. Utilisez toujours des disques d'un diamètre correct et avec la bonne taille d'alsage (voir caractéristiques techniques).

#### Pose

- ◆ Installez le carter de protection comme indiqué ci-dessus.
- ◆ Placez la bride intérieure (10) sur l'arbre (5) comme indiqué (fig. C). Assurez-vous que la bride est bien en place sur les côtés plats de l'arbre.
- ◆ Placez le disque (11) sur l'arbre (5) comme indiqué (fig. C). Si le disque comporte un centre surélevé (12), assurez-vous qu'il est bien en face de la bride intérieure.
- ◆ Assurez-vous que le disque est bien en place sur la bride intérieure.
- ◆ Placez la bride extérieure (13) sur l'arbre. Lors du montage du disque de meulage, le centre surélevé sur la bride extérieure doit faire face au disque (A dans fig. D).

Lors du montage du disque de tronçonnage, le centre surélevé sur la bride extérieure doit être opposé au disque (B dans fig. D).

- ◆ Appuyez sur le bouton de verrouillage de l'arbre (3) et serrez la bride extérieure à l'aide de la clé à deux griffes (14) (fig. E).

#### Retrait

- ◆ Appuyez sur le bouton de verrouillage de l'arbre (3) et desserrez le flasque extérieur (13) à l'aide de la clé à deux griffes (14) (fig. E).
- ◆ Enlevez la bride extérieure (13) et le disque (11).

### Installation et retrait des disques de ponçage (fig. E & F)

Il est nécessaire d'utiliser un patin de ponçage pour le ponçage. Vous pouvez vous procurer un patin de ponçage auprès d'un revendeur Black & Decker.

#### Pose

- ◆ Placez la bride intérieure (10) sur l'arbre (5) comme indiqué (fig. F). Assurez-vous que la bride est bien en place sur les côtés plats de l'arbre.
- ◆ Placez le patin de ponçage (15) sur l'arbre.
- ◆ Placez le disque de ponçage (16) sur le patin de ponçage.
- ◆ Placez le flasque extérieur (13) sur l'arbre avec le centre surélevé face opposée à celle du disque.
- ◆ Appuyez sur le bouton de verrouillage de l'arbre (3) et serrez la bride extérieure à l'aide de la clé à deux griffes (14) (fig. E). Vérifiez que le flasque extérieur est correctement posé et que le disque est fermement fixé.

#### Retrait

- ◆ Appuyez sur le bouton de verrouillage de l'arbre (3) et desserrez le flasque extérieur (13) à l'aide de la clé à deux griffes (14) (fig. E).
- ◆ Enlevez la flasque extérieure (13), le disque de ponçage (16) et le patin de ponçage (15).

## Utilisation

**Attention !** Laissez l'outil fonctionner à sa propre vitesse.

Ne le surchargez pas.

- ◆ Guidez le câble avec soin pour ne pas le couper par mégarde.
- ◆ Attendez-vous à un jet d'étincelles lorsque le disque de meulage ou de tronçonnage touche la pièce à travailler.
- ◆ Placez toujours l'outil de telle sorte que le carter de protection puisse vous protéger au maximum du disque de meulage ou de tronçonnage.

## Démarrage et arrêt

- ◆ Pour mettre l'appareil en marche, faites glisser le bouton marche/arrêt (1) vers l'avant. Vous remarquerez que l'outil continue à fonctionner lorsque vous relâchez le bouton.
- ◆ Pour éteindre l'outil, appuyez sur la partie arrière du bouton de marche/arrêt.

**Attention !** N'éteignez pas l'outil lorsqu'il est encore en charge.

## Conseils pour une utilisation optimale

- ◆ Pour tenir l'outil, tenez d'une main la poignée latérale, et placez votre autre main autour de la poignée principale.
- ◆ Lors du meulage, conservez toujours un angle d'environ 15° entre le disque et la surface de la pièce à travailler.

## Entretien

Votre outil a été conçu pour fonctionner pendant longtemps avec un minimum d'entretien. Un fonctionnement continu satisfaisant dépend d'un nettoyage régulier et d'un entretien approprié de l'outil.

**Attention !** Avant d'effectuer tout entretien, éteignez et débranchez l'outil.

- ◆ Nettoyez régulièrement les orifices de ventilation de votre outil à l'aide d'une brosse douce ou d'un chiffon sec.
- ◆ Nettoyez régulièrement le compartiment du moteur à l'aide d'un chiffon humide. N'utilisez pas de produit abrasif ou à base de solvant.

## Protection de l'environnement



Collecte séparée. Ce produit ne doit pas être jeté avec les déchets domestiques normaux.

Si vous décidez de remplacer ce produit Black & Decker, ou si vous n'en avez plus l'utilité, ne le jetez pas avec vos déchets domestiques. Rendez-le disponible pour une collecte séparée.



La collecte séparée des produits et emballages usés permet le recyclage des articles afin de les utiliser à nouveau. Le fait d'utiliser à nouveau des produits recyclés permet d'éviter la pollution environnementale et de réduire la demande de matières premières.

Les réglementations locales peuvent permettre la collecte séparée des produits électriques du foyer, dans des déchetteries municipales ou auprès du revendeur vous ayant vendu votre nouveau produit.

Black & Decker fournit un dispositif permettant de collecter et de recycler les produits Black & Decker lorsqu'ils ont atteint la fin de leur cycle de vie. Pour pouvoir profiter de ce service, veuillez retourner votre produit à un réparateur agréé qui se chargera de le collecter pour nous.

Pour connaître l'adresse du réparateur agréé le plus proche de chez vous, contactez le bureau Black & Decker à l'adresse indiquée dans ce manuel. Vous pourrez aussi trouver une liste des réparateurs agréés de Black & Decker et de plus amples détails sur notre service après-vente sur le site Internet à l'adresse suivante : [www.2helpU.com](http://www.2helpU.com)

## Caractéristiques techniques

		AST6	CD105	CD110	CD115
Tension	V <sub>AC</sub>	230	230	230	230
Puissance absorbée	W	701	701	701	710
Vitesse à vide	min <sup>-1</sup>	10.000	10.000	10.000	10.000
Diamètre du disque	mm	115	115	100	115
Alésage du disque	mm	22	22	16	22
Épaisseur max. du disque					
disques de meulage	mm	6	6	6	6
disques de tronçonnage	mm	3,5	3,5	3,5	3,5
Taille de l'arbre		M14	M14	M10	M14
Poids	kg	2,1	2,1	2,1	2,1

## Déclaration de conformité CE

AST6/CD105/CD110/CD115

Black & Decker déclare que ces produits sont conformes à : 98/37/CEE, 89/336/CEE, EN 50144, EN 55014, EN 61000

L<sub>PA</sub> (pression sonore) 89,9 dB(A), L<sub>WA</sub> (puissance acoustique) 102,9 dB(A), poids de la vibration sur la main/bras < 2,5 m/s<sup>2</sup>

Kevin Hewitt

Directeur Ingénierie Client

Spennymoor, County Durham DL16 6JG,

Royaume Uni

1-5-2005

## Garantie

Black & Decker est confiant dans la qualité de ses produits et vous offre une garantie très étendue. Ce certificat de garantie est un document supplémentaire et ne peut en aucun cas se substituer à vos droits légaux. La garantie est valable sur tout le territoire des Etats Membres de l'Union Européenne et de la Zone de Libre Echange Européenne.



Si un produit Black & Decker s'avère défectueux en raison de matériaux en mauvaises conditions, d'une erreur humaine, ou d'un manque de conformité dans les 24 mois suivant la date d'achat, Black & Decker garantit le remplacement des pièces défectueuses, la réparation des produits usés ou cassés ou remplace ces produits à la convenance du client, sauf dans les circonstances suivantes :

- ◆ Le produit a été utilisé dans un but commercial, professionnel, ou a été loué.
- ◆ Le produit a été mal utilisé ou avec négligence.
- ◆ Le produit a subi des dommages à cause d'objets étrangers, de substances ou à cause d'accidents.
- ◆ Des réparations ont été tentées par des techniciens ne faisant pas partie du service technique de Black & Decker.

Pour avoir recours à la garantie, il est nécessaire de fournir une preuve d'achat au vendeur ou à un réparateur agréé. Pour connaître l'adresse du réparateur agréé le plus proche de chez vous, contactez le bureau Black & Decker à l'adresse indiquée dans ce manuel. Vous pourrez aussi trouver une liste des réparateurs agréés de Black & Decker et de plus amples détails sur notre service après-vente sur le site Internet à l'adresse suivante : **[www.2helpU.com](http://www.2helpU.com)**

Visitez notre site Web **[www.blackanddecker.fr](http://www.blackanddecker.fr)** pour enregistrer votre nouveau produit Black & Decker et être informé des nouveaux produits et des offres spéciales. Pour plus d'informations concernant la marque Black & Decker et notre gamme de produits, consultez notre site **[www.blackanddecker.fr](http://www.blackanddecker.fr)**

## Uso previsto

La smerigliatrice angolare Black & Decker è stata messa a punto per tagliare metalli e muratura mediante il disco abrasivo o da taglio appropriato.

L'utensile è stato progettato per un uso individuale.

## Istruzioni di sicurezza

- ◆ **Attenzione!** Quando si adoperano utensili alimentati elettricamente, per ridurre il rischio di incendio, di scosse elettriche e danni a persone e cose è necessario seguire sempre alcune precauzioni di sicurezza basilari, incluso le seguenti:
  - ◆ Prima di adoperare l'utensile, leggere attentamente le istruzioni di cui al presente manuale.
  - ◆ Conservare queste istruzioni per successive consultazioni.
  - ◆ Prima di eseguire interventi di manutenzione, di assistenza o delle regolazioni, estrarre la spina dalla presa.

### Tenere pulita l'area di lavoro

Ambienti e banchi di lavoro in disordine possono essere causa d'incidenti.

### Tener presenti le caratteristiche dell'ambiente di lavoro

Non lasciare l'utensile sotto la pioggia. Non usare l'utensile in ambienti carichi di umidità. Tenere ben illuminata l'area di lavoro. Non usare l'utensile quando vi sia rischio di provocare un incendio o un'esplosione, per es. in luoghi con atmosfera gassosa o infiammabile.

### Tenere i bambini lontani dall'area di lavoro

Non permettere a bambini, ad altre persone o ad animali di avvicinarsi alla zona di lavoro, toccare l'utensile o il cavo di alimentazione.

### Usare il vestiario appropriato

Evitare l'uso di abiti svolazzanti, catenine, ecc. in quanto potrebbero rimanere impigliati nelle parti mobili dell'utensile. Lavorando all'aperto indossare guanti di gomma e scarpe con soles antiscivolo. Raccogliere i capelli se si portano lunghi.

### Protezione personale

Indossare occhiali di sicurezza. Indossare una mascherina contro la polvere ogni volta che l'uso dell'utensile provochi polvere o schegge. Indossare cuffie acustiche.

### Fare attenzione alle scosse elettriche

Evitare il contatto con le superfici messe a terra (ad esempio tubi, radiatori, cuocitori e frigoriferi). La sicurezza elettrica può essere ulteriormente ampliata utilizzando un dispositivo a corrente residua (RCD) ad alta sensibilità (30 mA / 30 mS).

### Non sbilanciarsi

Mantenere sempre un buon equilibrio evitando posizioni malsicure.

### Stare sempre attenti

Prestare attenzione a quanto si sta facendo. Usare il proprio buon senso. Non utilizzare l'utensile quando si è stanchi.

## Bloccare il pezzo da lavorare

Usare pinze o morse per bloccare il pezzo da lavorare.

Ciò aumenta la sicurezza e consente di mantenere entrambe le mani libere per operare meglio.

## Connettere l'apparecchiatura aspirapolvere

Se sono forniti i dispositivi per la connessione delle macchine per l'aspirazione e la raccolta della polvere, verificare che vengano collegati e utilizzati correttamente.

## Non lasciare sull'utensile chiavi o strumenti di misura

Prima di mettere in funzione l'utensile abbiate cura di togliere chiavi e altri strumenti.

## Prolunghe

Ispezionare la prolunga prima dell'uso e sostituirla se è danneggiata. Quando l'utensile viene impiegato all'esterno, usare unicamente le prolunghe per uso esterno. È possibile adoperare una prolunga Black & Decker fino a 30 m senza perdita di potenza.

## Adoperare l'utensile adatto alla situazione

L'utilizzo previsto è quello indicato nel presente manuale. Non forzare utensili e accessori di potenza limitata impiegandoli per lavori destinati ad utensili di maggiore potenza. Non forzare l'utensile. L'attrezzo va utilizzato esclusivamente per l'uso cui è destinato; ad esempio una sega circolare non deve essere adoperata per tagliare rami o tronchi.

**Attenzione!** L'uso di accessori o attrezzature diversi o l'impiego del presente utensile per scopi diversi da quelli indicati nel presente manuale d'uso comportano il rischio di infortuni.

## Controllare che non vi siano parti danneggiate

Prima dell'uso, ispezionare accuratamente l'utensile e il cavo elettrico per rilevare eventuali danni. Controllare se ci sono parti non allineate o parti mobili con gioco, componenti rotti, danni alle protezioni o agli interruttori e qualsiasi altra condizione che possa incidere sul funzionamento dell'utensile. Accertare che l'utensile funzioni come previsto e che venga impiegato per lo scopo per cui è stato progettato. Non usare l'utensile se presenta elementi danneggiati o difettosi. Non impiegare l'utensile se non è possibile accenderlo e spegnerlo mediante l'interruttore. Eventuali componenti difettosi o danneggiati devono essere sostituiti o riparati da un tecnico autorizzato. Non tentare mai di effettuare delle riparazioni.

## Estrarre la spina dalla presa di alimentazione

Estrarre la spina dalla presa di alimentazione quando l'utensile non è in uso, prima di cambiare pezzi, accessori o complementi e prima di eseguire lavori di manutenzione.

## Evitare di avviare l'utensile quando non è necessario

Non portate l'utensile con il dito sull'interruttore. Prima di collegare l'utensile alla presa, verificare che sia spento.

## Non forzare il cavo di collegamento elettrico

Non sostenere mai l'utensile mediante il cavo né tirare quest'ultimo per estrarne la spina dalla presa. Mantenere il cavo lontano da fonti di calore, olio e spigoli taglienti.

### Conservazione dell'utensile dopo l'uso

Quando non vengono usati, gli utensili vanno conservati in un luogo asciutto e inaccessibile (sottochiave o in alto), fuori dalla portata dei bambini.

### Mantenere l'utensile con cura

Mantenere gli utensili da taglio affilati e puliti in modo da ottenere una miglior e più sicura resa. Seguire le istruzioni di manutenzione e cambio di accessori. Mantenere le impugnature e gli interruttori asciutti, puliti e senza tracce di olio o grassi.

### Riparazioni

Questo utensile è conforme ai relativi requisiti di sicurezza. Le riparazioni devono essere eseguite soltanto da personale qualificato e con pezzi di ricambio originali, per evitare di esporre gli utenti a considerevoli rischi.

### Sicurezza elettrica



Il doppio isolamento di cui è provvisto l'utensile rende superfluo il filo di terra. Controllare sempre che la tensione di alimentazione corrisponda a quella indicata sulla targhetta.

### Istruzioni di sicurezza supplementari per le smerigliatrici angolari



Leggere il manuale di istruzioni prima dell'uso.



Indossate sempre occhiali di protezione quando fate funzionare questo utensile.



Indossare sempre protezioni acustiche per utilizzare questo utensile.

- ◆ Indossare sempre protezioni per occhi e orecchi lavorando con questo utensile.
- ◆ E' necessario indossare indumenti protettivi come maschera antipolvere, guanti, casco e grembiule.
- ◆ In quanto infiammabili, i metalli in lega leggera con un tenore di magnesio superiore all'80% non devono essere sottoposti a taglio né a smerigliatura.
- ◆ Utilizzare esclusivamente i dischi abrasivi, i dischi da taglio e gli altri accessori suggeriti nel presente manuale.
- ◆ Accertarsi che la massima velocità del disco abrasivo o da taglio superi la velocità a vuoto dell'utensile.
- ◆ Non utilizzare dischi abrasivi e da taglio non conformi alle dimensioni riportate nei dati tecnici. Non utilizzare boccole di riduzione separate o adattatori e non apportare modifiche non autorizzate per adattare dischi abrasivi con foro largo.
- ◆ Non tagliare pezzi che richiedono una profondità di taglio superiore a quella del disco da taglio.

- ◆ Non usare dischi da taglio per smerigliature laterali.
- ◆ Verificare i dischi abrasivi e da taglio prima di ogni uso. Non utilizzare dischi scheggiati, incrinati o che presentino altri difetti.
- ◆ Verificare che dischi e punte siano montati in conformità alle istruzioni del produttore.
- ◆ Verificare che il prodotto abrasivo sia correttamente montato e serrato prima dell'uso; far girare l'utensile a vuoto per 30 secondi in posizione di sicurezza. Fermare immediatamente l'utensile qualora si rilevino vibrazioni o altri difetti. Qualora si verifichi tale condizione, controllare la macchina per stabilirne le cause.
- ◆ Assicurarsi di utilizzare i dischi intermedi se uniti al prodotto abrasivo o se comunque necessari.
- ◆ Utilizzando un disco con foro filettato, controllare che la filettatura sia abbastanza lunga da accogliere la lunghezza dell'alberino.
- ◆ Non usare mai l'utensile senza la protezione.
- ◆ Controllare che il pezzo da lavorare sia ben sostenuto e fermato.
- ◆ Non sottoporre a pressione laterale il disco abrasivo o da taglio.
- ◆ Assicurarsi che le scintille prodotte durante l'uso non causino eventuali rischi quali investire persone o incendiare sostanze infiammabili.
- ◆ Ricordarsi che dopo lo spegnimento dell'utensile il disco continua a ruotare per un breve periodo.
- ◆ Controllare sempre che le feritoie di ventilazione siano libere durante il lavoro in ambienti polverosi. Se si rende necessario rimuovere la polvere, prima staccare l'utensile dall'alimentazione elettrica. Evitare di staneggiare le parti interne. Utilizzare un pennello morbido o un panno asciutto; non utilizzare oggetti metallici.
- ◆ I dischi abrasivi devono essere conservati e maneggiati con attenzione secondo le indicazioni del fabbricante e conservare sempre i dischi da taglio e le mole per smerigliatura in un luogo asciutto.

### Caratteristiche

Questo elettroutensile è dotato di tutte le caratteristiche elencate di seguito, o di alcune di esse.

1. Interruttore acceso/spento
2. Impugnatura laterale
3. Blocco dell'alberino
4. Protezione

### Montaggio

**Attenzione!** Prima di montarlo assicuratevi che l'utensile sia spento e desinserito.

## Installazione e smontaggio della protezione (fig. A & B)

### Installazione

- ◆ Collocare l'elettrotensile su un tavolo, con l'alberino (5) rivolto verso l'alto.
- ◆ Collocare la rondella elastica (6) sopra il mandrino e metterlo sulla spalla (7).
- ◆ Collocare la protezione (4) sull'utensile, come illustrato.
- ◆ Collocare la flangia (8) sopra l'alberino, con le protuberanze in direzione della protezione. Verificare che i fori della flangia siano allineati ai fori delle viti.
- ◆ Bloccare la flangia con le viti (9). Verificare che le viti siano ben serrate e che sia possibile ruotare la protezione.

### Estrazione

- ◆ Rimuovere le viti (9) con un cacciavite.
- ◆ Rimuovere la flangia (8), la protezione (4) e la rondella elastica (7). Conservare questi elementi in un luogo sicuro.

**Attenzione!** Non usare mai l'utensile senza la protezione.

### Installazione dell'impugnatura laterale

- ◆ Avvitare l'impugnatura laterale (2) in uno dei fori di montaggio sul corpo dell'elettrotensile.

**Attenzione!** Utilizzare sempre l'impugnatura laterale.

## Montaggio e smontaggio dei dischi abrasivi o da taglio (fig. C - E)

Usare sempre dischi di tipo adeguato al lavoro.

Adoperare sempre dischi adeguati per diametro e dimensione del foro (v. specifiche tecniche).

### Installazione

- ◆ Montare la protezione come descritto sopra.
- ◆ Collocare la flangia interna (10) sull'alberino (5), come illustrato (fig. C). Accertarsi che la flangia sia alloggiata correttamente sui lati piatti dell'alberino.
- ◆ Collocare il disco (11) sull'alberino (5), come illustrato (fig. C). Se il disco è sollevato al centro (12), accertarsi che la parte sollevata sia rivolta verso la flangia interna.
- ◆ Verificare che il disco sia alloggiato correttamente sulla flangia interna.
- ◆ Collocare la flangia esterna (13) sull'alberino. Per installare un disco abrasivo, il centro sollevato sulla flangia esterna deve essere rivolto verso il disco (A in fig. D). Per installare un disco da taglio, il centro sollevato sulla flangia esterna deve essere rivolto in direzione opposta al disco (B nella fig. D).
- ◆ Mantenere premuto il pulsante di blocco dell'alberino (3) e serrare la flangia esterna mediante la chiave a settore con due naselli (14) (fig. E).

### Estrazione

- ◆ Mantenere premuto il blocco dell'alberino (3) e allentare la flangia esterna (13) mediante la chiave a settore con due naselli (14) (fig. E).
- ◆ Rimuovere la flangia esterna (13) e il disco (11).

## Montaggio e smontaggio dei dischi smerigliatori (fig. E & F)

Per levigare è necessario l'utilizzo di un platorello. Il platorello è disponibile come accessorio presso il concessionario Black & Decker di fiducia.

### Installazione

- ◆ Collocare la flangia interna (10) sul mandrino (5), come illustrato (fig. F). Accertarsi che la flangia sia alloggiata correttamente sui lati piatti dell'alberino.
- ◆ Collocare il platorello (15) sul mandrino.
- ◆ Collocare il disco smerigliatore (16) sul platorello.
- ◆ Disporre sul mandrino la flangia esterna (13) in modo che il centro sollevato sia rivolto in direzione opposta al disco.
- ◆ Mantenere premuto il pulsante di blocco dell'alberino (3) e serrare la flangia esterna mediante la chiave a settore con due naselli (14) (fig. E). Verificare che la flangia esterna sia alloggiata correttamente e che il disco sia bloccato saldamente.

### Estrazione

- ◆ Mantenere premuto il blocco dell'alberino (3) e allentare la flangia esterna (13) mediante la chiave a settore con due naselli (14) (fig. E).
- ◆ Asportare la flangia esterna (13), il disco smerigliatore (16) e il platorello (15).

## Uso

**Attenzione!** Lasciare che l'utensile lavori al suo ritmo, senza sovraccaricarlo.

- ◆ Dirigere con attenzione il cavo per evitare di tagliarlo involontariamente.
- ◆ Quando il disco abrasivo o da taglio tocca il pezzo da lavorare viene prodotto un flusso di scintille.
- ◆ Posizionare sempre l'elettrotensile in modo che la protezione offra un riparo ottimale dal disco abrasivo o da taglio.

## Avviamento e spegnimento

- ◆ Per accendere l'apparecchio, far slittare in avanti l'interruttore on/off (1). Osservare che quando si lascia l'interruttore l'utensile continua a funzionare.
- ◆ Per spegnere l'utensile, premere il lato posteriore dell'interruttore on/off.

**Attenzione!** Non spegnere l'elettrotensile mentre è sotto carico.

### Consigli per un'ottima utilizzazione

- ◆ Mantenere saldamente l'utensile con una mano attorno all'impugnatura laterale e l'altra attorno alla maniglia principale.
- ◆ Durante la levigatura, mantenere sempre un angolo di circa 15° tra il disco e la superficie del pezzo da lavorare.

### Manutenzione

Questo elettrotensile è stato progettato per funzionare a lungo con un minimo di manutenzione. Per un funzionamento sempre soddisfacente è necessario avere cura dell'elettrotensile e provvedere alla regolare pulizia.

**Attenzione!** Prima di eseguire qualsiasi intervento di manutenzione, spegnere l'utensile e disinserire la spina dalla presa.

- ◆ Le feritoie di ventilazione dell'elettrotensile devono essere pulite regolarmente con un pennello morbido o un panno asciutto.
- ◆ Il vano del motore deve essere pulito regolarmente con un panno umido. Non usare materiali abrasivi o detergenti a base di solventi.

### Protezione dell'ambiente



Raccolta differenziata. Questo prodotto non deve essere smaltito con i normali rifiuti domestici.

Nel caso in cui si decida di sostituire l'apparecchio oppure di disfarsene in quanto non più necessario, non dovrà essere smaltito con i normali rifiuti domestici. Smaltire il prodotto tramite raccolta differenziata.



La raccolta differenziata di prodotti e imballaggi usati, consente il riciclaggio e il riutilizzo dei materiali. Riutilizzare i materiali riciclati aiuta a prevenire l'inquinamento ambientale e riduce la richiesta di materie prime.

In base alle normative locali, i servizi per la raccolta differenziata di elettrodomestici possono essere disponibili presso i punti di raccolta municipali o presso il rivenditore, al momento dell'acquisto di un nuovo prodotto.

Black & Decker offre ai suoi clienti un servizio per la raccolta differenziata e la possibilità di riciclare i prodotti Black & Decker che hanno esaurito la loro durata in servizio. Per usufruire del servizio, è sufficiente restituire il prodotto a qualsiasi tecnico autorizzato, incaricato della raccolta per conto dell'azienda.

Per individuare il tecnico autorizzato più vicino, rivolgersi alla sede Black & Decker locale, presso il recapito indicato nel presente manuale. Altrimenti un elenco completo di tutti i tecnici autorizzati Black & Decker e i dettagli completi sui contatti e i servizi post-vendita sono disponibili sul sito Internet: [www.2helpU.com](http://www.2helpU.com)

### Dati tecnici

	AST6	CD105	CD110	CD115
Tensione	V <sub>AC</sub> 230	230	230	230
Potenza assorbita	W 701	701	701	710
Velocità a vuoto	min <sup>-1</sup> 10.000	10.000	10.000	10.000
Diametro del disco	mm 115	115	100	115
Foro del disco	mm 22	22	16	22
Spessore max. disco				
dischi abrasivi	mm 6	6	6	6
dischi da taglio	mm 3,5	3,5	3,5	3,5
Dimensione dell'alberino	M14	M14	M10	M14
Peso	kg 2,1	2,1	2,1	2,1

### Dichiarazione europea di conformità del macchinario

AST6/CD105/CD110/CD115

Black & Decker dichiara che i presenti prodotti sono conformi a:  
98/37/CEE, 89/336/CEE, EN 50144, EN 55014, EN 61000

$L_{pA}$  (pressione sonora) 89,9 dB(A),  $L_{WA}$  (potenza acustica) 102,9 dB(A), vibrazione misurata su braccio / mano < 2,5 m/s<sup>2</sup>

Kevin Hewitt  
Direttore tecnico prodotti di consumo  
Spennymoor, County Durham DL16 6JG,  
Regno Unito  
1-5-2005

### Garanzia

Certa della qualità dei suoi prodotti, Black & Decker offre una garanzia eccezionale. Il presente certificato di garanzia è complementare ai diritti statutari e non li pregiudica in alcun modo. La garanzia è valida entro il territorio degli Stati membri dell'Unione Europea e dell'EFTA (European Free Trade Area).

Se un prodotto Black & Decker risulta difettoso per qualità del materiale, della costruzione o per mancata conformità entro 24 mesi dalla data di acquisto, Black & Decker garantisce la sostituzione delle parti difettose, provvede alla riparazione dei prodotti se ragionevolmente usurati oppure alla loro sostituzione, in modo da ridurre al minimo il disagio del cliente a meno che:

- ◆ Il prodotto non sia stato destinato ad usi commerciali, professionali o al noleggio;

- ◆ Il prodotto non sia stato usato in modo improprio o scorretto;
- ◆ Il prodotto non abbia subito danni causati da oggetti o sostanze estranee oppure incidenti;
- ◆ Il prodotto non abbia subito tentativi di riparazione non effettuati da tecnici autorizzati né dall'assistenza Black & Decker.

Per attivare la garanzia è necessario esibire la prova comprovante l'acquisto al venditore o al tecnico autorizzato. Per individuare il tecnico autorizzato più vicino, rivolgersi alla sede Black & Decker locale, presso il recapito indicato nel presente manuale. Altrimenti un elenco completo di tutti i tecnici autorizzati Black & Decker e i dettagli completi sui contatti e i servizi post-vendita sono disponibili su Internet presso: **[www.2helpU.com](http://www.2helpU.com)**

I clienti che desiderano registrare il nuovo prodotto Black & Decker e ricevere gli aggiornamenti sui nuovi prodotti e le offerte speciali, sono invitati a visitare il sito Web (**[www.blackanddecker.it](http://www.blackanddecker.it)**). Ulteriori informazioni sul marchio e la gamma di prodotti Black & Decker sono disponibili all'indirizzo **[www.blackanddecker.it](http://www.blackanddecker.it)**

## Gebruik volgens bestemming

Uw haakse slijper van Black & Decker is ontwikkeld voor het slijpen van metaal en metselwerk, met behulp van de bijbehorende doorslijp- of slijpschijf.

Deze machine is uitsluitend bestemd voor consumentengebruik.

## Veiligheidsvoorschriften

- ◆ **Waarschuwing!** Bij het gebruik van elektrische machines dienen ter bescherming tegen brandgevaar, elektrische schokken, letsel en materiële schade altijd gepaste veiligheidsmaatregelen in acht te worden genomen, waaronder de volgende veiligheidsvoorschriften.
- ◆ Lees de gebruiksaanwijzing aandachtig door voordat u met de machine gaat werken.
- ◆ Bewaar deze instructies zorgvuldig!
- ◆ Neem de stekker uit het stopcontact alvorens instellingen, reparaties of onderhoudswerkzaamheden uit te voeren.

### Zorg voor een opgeruimde werkomgeving

Een rommelige werkomgeving leidt tot ongelukken.

### Houd rekening met omgevingsinvloeden

Stel de machine niet bloot aan regen. Gebruik de machine niet in een vochtige of natte omgeving. Zorg dat de werkomgeving goed is verlicht. Gebruik de machine niet op plaatsen waar brand- of explosiegevaar bestaat, b.v. in de buurt van brandbare vloeistoffen of gassen.

### Houd kinderen uit de buurt

Houd kinderen, bezoekers en dieren buiten het werkgebied en laat ze de machine of de elektriciteitskabel niet aanraken.

### Draag geschikte werkkleding

Draag geen wijde kleding of loshangende sieraden. Deze kunnen door de bewegende delen worden gegrepen. Draag bij het werken buitenshuis bij voorkeur rubber werkhandschoenen en schoenen met profielzolen. Houd lang haar bijeen.

### Persoonlijke bescherming

Draag altijd een veiligheidsbril. Draag een gezichts- of stofmasker bij werkzaamheden waarbij stofdeeltjes vrijkomen. Draag gehoorbescherming.

### Bescherming tegen elektrische schokken

Voorkom aanraking van geaarde oppervlakken (bijv. buizen, radiatoren, fornuizen en koelkasten). Elektrische veiligheid kan verder worden verbeterd met behulp van een hooggevoelige (30 mA / 30 mS) reststroomschakelaar (RCD).

### Zorg voor een veilige houding

Zorg altijd voor een juiste, stabiele houding.

### Blijf voortdurend opletten

Houd uw aandacht bij uw werk. Ga met verstand te werk. Gebruik de machine niet als u niet geconcentreerd bent.

### Klem het werkstuk goed vast

Gebruik klemmen of een bankschroef om het werkstuk te fixeren. Dit is veiliger, bovendien kan de machine dan met beide handen worden bediend.

## Sluit de uitrusting van de stofafvoer aan

Indien hulpmiddelen zijn meegeleverd voor de aansluiting van stofafvoer en voorzieningen voor stofopvang, zorg dan dat deze zijn aangesloten en naar behoren worden gebruikt.

## Verwijder sleutels en hulpgereedschappen

Controleer vóór het inschakelen altijd of sleutels en andere hulpgereedschappen zijn verwijderd.

## Verlengsnoeren

Inspecteer voor gebruik het verlengsnoer. Vervang het snoer indien het beschadigd is. Maak bij gebruik buitenshuis uitsluitend gebruik van verlengsnoeren die geschikt zijn voor gebruik buitenshuis. Een Black & Decker verlengsnoer met een lengte tot 30 m kan worden gebruikt zonder verlies van vermogen.

## Gebruik de juiste machine

Het gebruik volgens bestemming is beschreven in deze handleiding. Gebruik geen te lichte machine of hulpstukken voor te zwaar werk. De machine werkt beter en veiliger indien u deze gebruikt voor het beoogde doel. Overbelast de machine niet. Gebruik de machine niet voor doeleinden waarvoor zij niet bestemd is; gebruik een cirkelzaag bijvoorbeeld niet voor het zagen van boomstronken.

**Waarschuwing!** Gebruik ter voorkoming van lichamelijk letsel uitsluitend de in deze gebruiksaanwijzing aanbevolen accessoires en hulpstukken. Gebruik de machine uitsluitend volgens bestemming.

## Controleer de machine op beschadigingen

Controleer de machine voor gebruik op schade. Controleer of alle bewegende delen correct gemonteerd zijn, of er geen onderdelen gebroken zijn, of er geen beschermkappen en schakelaars beschadigd zijn en of er andere gebreken zijn die invloed op de werking van de machine zouden kunnen hebben. Vergewis u ervan dat de machine correct werkt. Gebruik de machine niet als enig onderdeel defect is. Gebruik de machine niet als de aan/uit-schakelaar niet werkt. Defecte onderdelen dienen door een erkend servicecentrum te worden gerepareerd of vervangen. Probeer nooit om de machine zelf te repareren.

## De stekker uit het stopcontact verwijderen

Verwijder de stekker uit het stopcontact als u de machine niet gebruikt, voordat u gereedschappen, accessoires of onderdelen van de machine verwisselt en voordat u onderhoud aan de machine uitvoert.

## Voorkom onbedoeld inschakelen

Draag de machine niet met uw vingers aan de aan/uit-schakelaar. Wees ervan verzekerd dat de machine is uitgeschakeld voordat u de stekker in het stopcontact steekt.

## Misbruik het snoer niet

Draag de machine nooit aan het snoer. Trek niet aan het snoer om de stekker uit het stopcontact te verwijderen. Houd het snoer uit de buurt van warmtebronnen, olie en scherpe randen.

## Berg de machine veilig op

Indien niet in gebruik, dienen machines te worden opgeborgen in een droge, afsluitbare of hoge plaats, buiten bereik van kinderen.

## Onderhoud de machine met zorg

Houd snijgereedschappen scherp en schoon om beter en veiliger te kunnen werken. Houdt u aan de instructies met betrekking tot het onderhoud en het vervangen van accessoires. Houd de handgrepen en schakelaars droog en vrij van olie en vet.

## Reparaties

Deze machine voldoet aan de geldende veiligheidseisen. Reparaties mogen uitsluitend worden uitgevoerd door bevoegde vakmensen en met behulp van originele reserveonderdelen; anders kan er een aanzienlijk gevaar voor de gebruiker ontstaan.

## Elektrische veiligheid



Deze machine is dubbel geïsoleerd; een aardaansluiting is daarom niet noodzakelijk. Controleer altijd of uw netspanning overeenkomt met de waarde op het typeplaatje.

## Aanvullende veiligheidsinstructies voor haakse slijpers



Lees de gebruiksaanwijzing voor gebruik.



Draag een veiligheidsbril als u deze machine bedient.



Draag gehoorbescherming als u deze machine bedient.

- ◆ Draag altijd oog- en oorbescherming bij het gebruik van dit apparaat.
- ◆ Draag persoonlijk beschermende uitrusting zoals een stofmasker, handschoenen, een helm en een schort.
- ◆ Slijp nooit lichte metalen met een magnesiumgehalte van meer dan 80%, omdat dit type metalen zeer brandbaar is.
- ◆ Gebruik alleen doorslijp- en slijpschijven en andere accessoires die in deze handleiding aanbevolen worden.
- ◆ Zorg ervoor dat het maximale toerental van de doorslijp- of slijpschijf niet hoger is dan het onbelaste toerental van de machine.
- ◆ Gebruik geen doorslijp- en slijpschijven die niet gelijk zijn aan de dimensies in de technische gegevens. Gebruik geen aparte verloopringen of adapters en maak geen niet goedgekeurde aanpassingen om slijpschijven met grote gaten te verkrijgen.
- ◆ Slijp geen werkstukken door die een grotere maximale zaagdiepte vereisen dan die van de doorslijpschijf.
- ◆ Gebruik geen doorslijpschijven voor slijpen aan zijkanten.
- ◆ Controleer doorlijp- en slijpschijven voor ieder gebruik. Gebruik geen afgeruwde, gebarsten of op andere wijze defecte schijven.

- ◆ Zorg ervoor dat gemonteerde wielen en punten volgens de instructies van de fabrikant zijn bevestigd.
- ◆ Zorg ervoor dat de slijpschijf op de juiste manier is gemonteerd en vastgedraaid. Laat de motor voor 30 sec. onbelast draaien in een veilige positie. Stop de motor onmiddellijk bij aanzienlijke vibratie of het ontdekken van andere defecten. Indien dit gebeurt, controleert u de machine om de oorzaak vast te stellen.
- ◆ Zorg ervoor dat het flenspapier, indien meegeleverd en vereist, wordt gebruikt.
- ◆ Zorg er bij gebruik van een schijf met schroefgat voor dat de draad lang genoeg om de lengte van het spilslot te accepteren.
- ◆ Gebruik de machine nooit zonder het scherm.
- ◆ Controleer of het werkstuk naar behoren wordt ondersteund.
- ◆ Oefen geen zijwaartse druk uit op de doorslijp- of slijpschijf.
- ◆ Zorg ervoor dat afspattende vonken geen gevaren veroorzaken als het treffen van personen of het ontsteken van brandbare stoffen.
- ◆ Wees erop bedacht dat de schijf na uitschakelen van het apparaat nog even blijft doordraaien.
- ◆ Zorg ervoor dat ventilatieopeningen stofvrij worden gehouden onder stoffige omstandigheden. Indien het nodig is stof te verwijderen, haalt u eerst de stekker uit het stopcontact. Voorkom aanraking van interne delen. Gebruik een zachte borstel of een droge doek. Gebruik geen metalen voorwerpen.
- ◆ Slijpschijven dienen met zorg te worden gebruikt en opgeborgen in overeenstemming met de instructies van de fabrikant. Berg slijp- en doorslijpschijven altijd op een droge plaats op.

## Onderdelen

Al naar gelang de uitvoering beschikt deze machine over de volgende onderdelen.

1. Aan/uit-schakelaar
2. Zijhandgreep
3. Spindelvergrendeling
4. Beschermkap

## Montage

**Waarschuwing!** Zorg vóór aanvang van de montage dat de machine is uitgeschakeld en de netstekker van het lichtnet is losgekoppeld.

## Aanbrengen en verwijderen van de beschermkap (fig. A & B)

### Montage

- ◆ Plaats de machine op een tafel, met de spindel (5) naar boven gericht.



- ◆ Breng de veerring (6) over de spindel aan en leg hem op de juiste plaats (7).
- ◆ Plaats de beschermkap (4) op de machine zoals afgebeeld.
- ◆ Breng de flens (8) over de spindel aan met de uitstekende puntjes richting beschermkap. Zorg dat de gaten in de flens op één lijn liggen met de schroefgaten.
- ◆ Bevestig de beschermkap met de schroeven (9). Controleer of de schroeven stevig zijn aangedraaid en of de beschermkap gedraaid kan worden.

#### Verwijderen

- ◆ Verwijder de schroeven (9) met behulp van een schroevendraaier.
- ◆ Verwijder de flens (8), beschermkap (4) en veerring (7). Bewaar deze onderdelen zorgvuldig.

**Waarschuwing!** Gebruik de machine nooit zonder de beschermkap.

#### Aanbrengen van de zijhandgreep

- ◆ Schroef de zijhandgreep (2) in een van de montagegaten van de machine.

**Waarschuwing!** Gebruik altijd de zijhandgreep.

#### Monteren en verwijderen van een doorslijp- of slijpschijf (fig. C - E)

Gebruik altijd het juiste type schijf voor uw toepassing. Gebruik altijd schijven met de juiste diameter en inwendige diameter (zie technische informatie).

#### Montage

- ◆ Monteer de beschermkap zoals hierboven beschreven.
- ◆ Plaats de binnenste flens (10) op de spindel (5) zoals afgebeeld (fig. C). Zorg dat de flens op de juiste manier tegen de platte zijden van de spindel is aangebracht.
- ◆ Plaats de schijf (11) op de spindel (5) zoals afgebeeld (fig. C). Als de schijf in het midden een verhoging heeft (12), zorg er dan voor dat deze verhoging naar de binnenste flens gericht is.
- ◆ Zorg dat de schijf op de juiste manier op de binnenste flens rust.
- ◆ Plaats de buitenste flens (13) op de spindel. Let er bij het aanbrengen van een slijpschijf op dat de verhoging in het midden van de buitenste flens naar de schijf toe gericht is (A in fig. D). Let er bij het aanbrengen van een doorslijpschijf op dat de verhoging in het midden van de buitenste flens van de schijf af gericht is (B in fig. D).
- ◆ Houd de spindelvergrendeling (3) ingedrukt, en draai de buitenste flens vast met de steeksleutel met twee pennen (14) (fig. E).

#### Verwijderen

- ◆ Houd de spindelvergrendeling (3) ingedrukt, en draai de buitenste flens (13) los met de steeksleutel met twee pennen (14) (fig. E).
- ◆ Verwijder de buitenste flens (13) en de schijf (11).

#### Monteren en verwijderen van schuurschijven (fig. E & F)

Voor schuurwerkzaamheden is een steunschijf vereist. De steunschijf is als accessoire verkrijgbaar bij uw Black & Decker-dealer.

#### Montage

- ◆ Plaats de binnenste flens (10) op de spindel (5) zoals afgebeeld (fig. F). Zorg dat de flens op de juiste manier tegen de platte zijden van de spindel is aangebracht.
- ◆ Plaats de steunschijf (15) op de spindel.
- ◆ Plaats de schuurschijf (16) op de steunschijf.
- ◆ Plaats de buitenste flens (13) op de spindel, met de verhoging in het midden van de schijf af gericht.
- ◆ Houd de spindelvergrendeling (3) ingedrukt, en draai de buitenste flens vast met de steeksleutel met twee pennen (14) (fig. E). Vergewis u ervan dat de buitenste flens naar behoren is aangebracht en dat de schijf stevig is vastgeklemd.

#### Verwijderen

- ◆ Houd de spindelvergrendeling (3) ingedrukt, en draai de buitenste flens (13) los met de steeksleutel met twee pennen (14) (fig. E).
- ◆ Verwijder de buitenste flens (13), de schuurschijf (16) en de steunschijf (15).

#### Gebruik

**Waarschuwing!** Laat de machine op haar eigen tempo werken. Niet overbelasten.

- ◆ Geleid de kabel zorgvuldig om te voorkomen dat u deze per ongeluk doorsnijdt.
- ◆ Houd rekening met een grote hoeveelheid aan afspattende vonken zodra de doorslijp- of slijpschijf in aanraking komt met het werkstuk.
- ◆ Houd de machine altijd zodanig dat de beschermkap maximale bescherming biedt tegen de doorslijp- of slijpschijf.

#### Aan- en uitschakelen

- ◆ Om in te schakelen schuift u de aan/uit-schakelaar (1) naar voren. Let op: de machine blijft draaien als u de schakelaar loslaat.
- ◆ Om uit te schakelen, drukt u op het achterste deel van de aan/uit-schakelaar.

**Waarschuwing!** Schakel de machine niet uit onder belasting.

## Tips voor optimaal gebruik

- ◆ Houd de machine stevig vast, met de ene hand rond de zijhandgreep en de andere hand rond de hoofdhandgreep.
- ◆ Zorg tijdens het slijpen dat er altijd een hoek van ongeveer 15° zit tussen de schijf en het oppervlak van het werkstuk.

## Onderhoud

Dit gereedschap is ontworpen om gedurende langere periode te functioneren met een minimum aan onderhoud.

Voortdurend tevreden gebruik is afhankelijk van correct onderhoud en regelmatig schoonmaken.

**Waarschuwing!** Zorg vóór aanvang van onderhoudswerkzaamheden dat de machine is uitgeschakeld en de netstekker van het lichtnet is losgekoppeld.

- ◆ Reinig regelmatig de ventilatieopeningen van uw machine met een zachte borstel of een droge doek.
- ◆ Reinig regelmatig de behuizing van de motor met een vochtige doek. Gebruik geen schuur- of oplosmiddel.

## Milieu



Gescheiden inzameling. Dit product mag niet met het gewone huishoudelijke afval worden weggegooid.

Wanneer uw oude Black & Deckerproduct aan vervanging toe is of het u niet langer van dienst kan zijn, gooi het dan niet bij het huishoudelijk afval. Zorg ervoor dat het product gescheiden kan worden ingezameld.



Door gebruikte producten en verpakkingen gescheiden in te zamelen, worden de materialen gerecycled en opnieuw gebruikt. Hergebruik van gerecyclede materialen voorkomt milieuvervuiling en vermindert de vraag naar grondstoffen.

Inzamelpunten voor gescheiden inzameling van elektrische huishoudproducten bij gemeentelijke vuilnisbergen of bij de verkoper waar u een nieuw product koopt, kunnen aan plaatselijke voorschriften gebonden zijn.

Black & Decker biedt de mogelijkheid tot inzamelen en recyclen van afgedankte Black & Decker producten. Om gebruik van deze service te maken, dient u het product aan een van onze servicecentra te sturen, die voor ons de inzameling verzorgen.

U kunt het adres van het dichtstbijzijnde servicecentrum opvragen via de adressen op de achterzijde van deze handleiding. U kunt ook een lijst van onze servicecentra en meer informatie m.b.t. onze klantenservice vinden op het volgende Internet-adres: [www.2helpU.com](http://www.2helpU.com)

## Technische gegevens

		AST6	CD105	CD110	CD115
Spanning	V <sub>AC</sub>	230	230	230	230
Opgenomen vermogen	W	701	701	701	710
Onbelast toerental	min <sup>-1</sup>	10.000	10.000	10.000	10.000
Schijfdiameter	mm	115	115	100	115
Inwendige diameter schijf	mm	22	22	16	22
Max. schijfdikte					
slijpschijven	mm	6	6	6	6
doorslijpschijven	mm	3,5	3,5	3,5	3,5
Spindelmaat		M14	M14	M10	M14
Gewicht	kg	2,1	2,1	2,1	2,1

## EG-conformiteitsverklaring

AST6/CD105/CD110/CD115

Black & Decker verklaart dat deze producten in overeenstemming zijn met:

98/37/EEG, 89/336/EEG, EN 50144, EN 55014, EN 61000

$L_{pA}$  (geluidsdruk) 89,9 dB(A),  $L_{WA}$  (geluidsvermogen) 102,9 dB(A), gewogen kwadratische gemiddelde waarde van de versnelling < 2,5 m/s<sup>2</sup>

Kevin Hewitt

Director of Consumer Engineering  
Spennymoor, County Durham DL16 6JG,  
Verenigd Koninkrijk  
1-5-2005

## Garantie

Black & Decker heeft vertrouwen in zijn producten en biedt een uitstekende garantie. Deze garantiebepalingen vormen een aanvulling op uw wettelijke rechten en beperken deze niet. De garantie geldt in de lidstaten van de Europese Unie en de Europese Vrijhandelsassociatie.

Mocht uw Black & Decker product binnen 24 maanden na datum van aankoop defect raken tengevolge van materiaal- of constructiefouten, dan garanderen wij de kosteloze vervanging van defecte onderdelen, de reparatie van het product of de vervanging van het product, tenzij:

- ◆ Het product is gebruikt voor handelsdoeleinden, professionele toepassingen of verhuurdoeleinden;
- ◆ Het product onoordeelkundig is gebruikt;
- ◆ Het product is beschadigd door invloeden van buitenaf of door een ongeval;

- ◆ Reparaties zijn uitgevoerd door anderen dan onze servicecentra of Black & Decker personeel.

Om een beroep op de garantie te doen, dient u een aankoopbewijs te overhandigen aan de verkoper of een van onze servicecentra. U kunt het adres van het dichtstbijzijnde servicecentrum opvragen via de adressen op de achterzijde van deze handleiding. U kunt ook een lijst van onze servicecentra en meer informatie m.b.t. onze klantenservice vinden op het volgende Internet-adres: **www.2helpU.com**

Meld u aan op onze website **www.blackanddecker.nl** om te worden geïnformeerd over nieuwe producten en speciale aanbiedingen. Verdere informatie over het merk Black & Decker en onze producten vindt u op **www.blackanddecker.nl**

## Finalidad

La amoladora angular Black & Decker ha sido diseñada para cortar metal y mampostería, utilizando el tipo adecuado de disco de corte o de muela. Esta herramienta está pensada únicamente para uso doméstico.

## Instrucciones de seguridad

- ◆ **¡Atención!** Cuando use herramientas eléctricas, debe seguir siempre las precauciones de seguridad básicas, incluidas las siguientes, a fin de reducir el riesgo de incendios, posibilidad de electrocutarse, lesiones personales y daños materiales.
- ◆ Lea completamente este manual antes de utilizar la herramienta.
- ◆ Mantenga a mano este manual para consultas posteriores.
- ◆ Desenchufe la herramienta de la red antes de realizar cualquier ajuste, reparación o mantenimiento.

### Mantenga limpia el área de trabajo

Un área o un banco de trabajo en desorden aumentan el riesgo de accidentes.

### Tenga en cuenta el entorno del área de trabajo

No exponga herramientas a la humedad. Procure que el área de trabajo esté bien iluminada. No utilice la herramienta donde exista riesgo de incendio o explosión, p. ej. en la proximidad de líquidos o gases inflamables.

### ¡Mantenga alejados a los niños!

No permita que niños, otras personas o animales se acerquen al área de trabajo ni toquen la herramienta o el cable de corriente.

### Vista ropa de trabajo apropiada

No lleve vestidos anchos ni joyas. Estos podrían ser atrapados por piezas en movimiento. Para trabajos en el exterior, se recomienda llevar guantes de goma y calzado de suela antideslizante. Si tiene el pelo largo, téngalo recogido y cubierto.

### Protección personal

Lleve gafas de protección. Utilice una mascarilla si el trabajo ejecutado produce polvo u otras partículas volantes. Lleve protectores para los oídos.

### Protéjase contra la posibilidad de electrocutarse

Evite que su cuerpo haga contacto con objetos conectados a tierra (p. ej. tuberías, radiadores, frigoríficos y electrodomésticos en general). Se puede incrementar la seguridad eléctrica utilizando disyuntores de alta sensibilidad (30 mA / 30 mS) para detectar corrientes de fuga.

### No alargue demasiado su radio de acción

Mantenga un apoyo firme sobre el suelo y conserve el equilibrio en todo momento.

### Esté siempre alerta

Mire lo que está haciendo. Use el sentido común. No maneje la herramienta cuando esté cansado.

### Sujete bien la pieza de trabajo

Utilice abrazaderas o un torno para sujetar la pieza de trabajo.

Es más seguro que sujetarla con la mano y le permite utilizar ambas manos para manejar la herramienta.

### Conecte los accesorios para la extracción de polvo.

Si se suministran adaptadores para la conexión de accesorios extractores y para el almacenamiento del polvo, asegúrese de que se conectan y utilizan adecuadamente.

### Retire las llaves u otros utensilios fuera del área de trabajo

Antes de poner la herramienta en marcha, asegúrese de que las llaves y utensilios de réglaje hayan sido retirados.

### Cables alargadores

Revise el cable alargador antes de utilizarlo por si presenta desperfectos. Al utilizar las herramientas en exteriores, utilice exclusivamente aquellos cables prolongadores diseñados para estas condiciones. Puede utilizarse un cable alargador Black & Decker de hasta 30 m sin pérdida de potencia.

### Utilice la herramienta adecuada

En este manual se explica para qué uso está destinada la herramienta. No utilice herramientas o dispositivos acoplables de potencia demasiado débil para ejecutar trabajos pesados. La herramienta funcionará mejor y con mayor seguridad al ser utilizada de acuerdo con sus características técnicas.

No fuerce la herramienta. Utilice las herramientas para su uso previsto únicamente; por ejemplo, no use una sierra circular para cortar ramas o troncos de árbol.

**¡Atención!** El uso de otros accesorios, adaptadores, o la propia utilización de la herramienta en cualquier forma diferente de las recomendadas en este manual de instrucciones puede constituir un riesgo de lesiones a las personas.

### Compruebe que no haya piezas averiadas

Antes de usarla, compruebe cuidadosamente que la herramienta y el cable de corriente no presenten desperfectos. Compruebe la posible existencia de piezas móviles mal alineadas o atascadas, la rotura de piezas, el posible daño de protectores e interruptores y cualquier otro aspecto que pueda afectar al funcionamiento de la herramienta. Asegúrese de que la herramienta puede funcionar adecuadamente y cumplir con el cometido para el que ha sido diseñada. No use la herramienta si hay alguna pieza defectuosa o averiada. No utilice la herramienta si no es posible apagar y encender el interruptor. Encargue al servicio técnico autorizado que repare o sustituya las piezas defectuosas o averiadas. Jamás intente repararla usted mismo.

### Desenchufe la herramienta

Desenchufe la herramienta cuando no esté usando la herramienta, antes de sustituir piezas, accesorios o acoplamientos, y antes de efectuar revisiones.

### Evite un arranque involuntario

Procure no tocar el conmutador de encendido/apagado mientras transporta la herramienta. Asegúrese de que la herramienta esté apagada cuando la enchufe.

### Cuide el cable de alimentación

No arraste la herramienta tirando del cable, ni tire del cable para desenchufarlo. Proteja el cable del calor, del aceite y de las aristas vivas.

### Guarde las herramientas que no utiliza

Cuando no las utilice, las herramientas deben guardarse en un lugar seco y cerrado o elevado, fuera del alcance de los niños.

### Mantenga las herramientas asiduamente

Mantenga sus herramientas afiladas y limpias para trabajar mejor y más seguro. Siga las instrucciones para el mantenimiento y la sustitución de accesorios. Mantenga los mandos y conmutadores secos, limpios y libres de aceite y grasa.

### Reparaciones

Esta herramienta cumple las normas de seguridad aplicables. Las reparaciones deben llevarse a cabo por personal cualificado, usando piezas de recambio originales; en caso contrario, podría ocasionarse un considerable riesgo para el usuario.

### Seguridad eléctrica



La herramienta lleva un doble aislamiento; por lo tanto no requiere una toma a tierra. Compruebe siempre que la tensión de la red corresponda con el valor indicado en la placa de datos de la herramienta.

### Instrucciones adicionales de seguridad para amoladoras angulares



Antes de usarla, lea el manual de instrucciones.



Lleve gafas protectoras cuando utilice esta herramienta.



Lleve protectores para los oídos cuando utilice esta herramienta.

- ◆ Utilice siempre protección ocular y auditiva cuando maneje esta herramienta.
- ◆ Deben llevarse equipos de protección personal como mascarilla, guantes, casco y delantal de trabajo.
- ◆ No corte ni amole metales de poca densidad con un contenido en magnesio superior al 80%, ya que este tipo de metales son inflamables.
- ◆ Use únicamente las muelas, discos de corte y demás accesorios que se recomiendan en este manual.
- ◆ Asegúrese de que la velocidad máxima de la muela o el disco de corte supere la velocidad sin carga de la herramienta.
- ◆ No utilice muelas ni discos de corte que no se ajusten a las dimensiones indicadas en la documentación técnica.

No utilice casquillos reductores o adaptadores de otros fabricantes ni realice modificaciones no autorizadas para adaptar discos abrasivos de orificio grande.

- ◆ No corte piezas que requieran una profundidad máxima de corte superior a la del disco de corte.
- ◆ No utilice discos de corte para el amolado lateral.
- ◆ Examine las muelas y los discos de corte antes de cada uso. No utilice discos desportillados, agrietados o con otros defectos.
- ◆ Asegúrese de que los discos y las puntas montados se instalen según las instrucciones del fabricante.
- ◆ Asegúrese de que el disco abrasivo esté correctamente montado y apretado antes de utilizarlo y haga funcionar la herramienta sin carga durante 30 segundos en una posición segura, deténgala inmediatamente si se detecta una vibración considerable u otros defectos. Si se produce esta situación, compruebe la máquina para determinar la causa.
- ◆ Asegúrese de que los discos intermedios se utilicen cuando se suministren con el disco abrasivo ligado y cuando sean necesarios.
- ◆ Cuando instale un disco con orificio roscado, asegúrese de que la rosca sea lo suficientemente larga para recibir la longitud del eje.
- ◆ No use nunca la herramienta sin la protección.
- ◆ Compruebe que la pieza trabajada esté debidamente apoyada.
- ◆ No ejerza presión lateral sobre la muela o el disco de corte.
- ◆ Asegúrese de que las chispas producidas por el uso no creen un riesgo, p. ej. que no alcancen a otras personas o prendan sustancias inflamables.
- ◆ No olvide que después de apagar la herramienta el disco continúa girando durante un corto periodo de tiempo.
- ◆ Asegúrese de que las ranuras de ventilación permanezcan despejadas al trabajar en condiciones de polvo excesivo. Si fuera necesario limpiar polvo, desconecte en primer lugar la herramienta del suministro de corriente. Evite daños a los componentes internos; utilice un cepillo suave o un paño seco, no utilice objetos metálicos.
- ◆ Los discos abrasivos deben almacenarse y manipularse con cuidado de acuerdo a las instrucciones del fabricante y almacene siempre las muelas y los discos de corte en lugares secos.

### Características

Esta herramienta incluye alguna o todas las características siguientes.

1. Conmutador ON/OFF (encendido/apagado)
2. Mango lateral
3. Bloqueo del husillo
4. Protección

## Montaje

**¡Advertencia!** Antes de proceder al montaje, compruebe que la herramienta está apagada y desenchufada.

### Colocación y retirada del protector (fig. A & B)

#### Colocación

- ◆ Coloque la herramienta sobre una mesa, con el husillo (5) hacia arriba.
- ◆ Coloque la arandela del resorte (6) sobre el husillo ubicándola sobre el hombro (7).
- ◆ Coloque la protección (4) en la herramienta tal y como se indica.
- ◆ Coloque la brida (8) sobre el husillo situando los salientes mirando hacia la protección. Asegúrese de que los orificios de la brida se alineen con los orificios de los tornillos.
- ◆ Sujete la brida con los tornillos (9). Asegúrese de que los tornillos queden apretados fuertemente y que se pueda hacer girar la protección.

#### Extracción

- ◆ Utilice un destornillador para retirar los tornillos (9).
- ◆ Retire la brida (8), la protección (4) y la arandela del resorte (7). Ponga cuidado al almacenar estas piezas.

**¡Advertencia!** No use nunca la herramienta sin la protección.

### Instalación del mango lateral

- ◆ Atomille el mango lateral (2) dentro de uno de los orificios de montaje de la herramienta.

**¡Advertencia!** Use siempre el mango lateral.

### Colocación y retirada de las muelas o los discos de corte (fig. C - E)

Use siempre el tipo correcto de disco en su trabajo.

Use siempre discos con el diámetro exterior e interior correcto (consulte los datos técnicos).

#### Colocación

- ◆ Monte la protección como se ha descrito anteriormente.
- ◆ Coloque la brida interior (10) sobre el husillo (5) tal como se muestra (fig. C). Asegúrese de que la brida esté correctamente colocada en los lados planos del husillo.
- ◆ Coloque el disco (11) sobre el husillo (5) tal como se muestra (fig. C). Si el disco tiene el centro levantado (12), asegúrese de que este centro levantado está encarado con la brida interior.
- ◆ Asegúrese de que el disco encaje correctamente en la brida interior.

- ◆ Coloque la brida exterior (13) sobre el husillo. Cuando monte una muela, el centro levantando de la brida exterior debe estar encarado hacia el disco (A en fig. D). Cuando monte un disco de corte, el centro levantando de la brida exterior debe estar alejado del disco (B en fig. D).
- ◆ Mantenga presionado el cierre del husillo (3) y apriete la brida exterior empleando la llave de doble tetón (14) (fig. E).

#### Extracción

- ◆ Mantenga presionado el cierre del husillo (3) y afloje la brida exterior (13) empleando la llave de doble tetón (14) (fig. E).
- ◆ Retire la brida exterior (13) y el disco (11).

### Colocación y extracción de los discos lijadores (fig. E & F)

Para lijado, se necesita una almohadilla de soporte.

Esta almohadilla se puede adquirir, como accesorio, en un concesionario Black & Decker.

#### Colocación

- ◆ Coloque la brida interior (10) sobre el husillo (5) tal como se muestra (fig. F). Asegúrese de que la brida esté correctamente colocada en los lados planos del husillo.
- ◆ Coloque la almohadilla de soporte (15) sobre el husillo.
- ◆ Coloque el disco para lijar (16) sobre la almohadilla de soporte.
- ◆ Coloque la brida exterior (13) sobre el husillo con el centro elevado alejado del disco.
- ◆ Mantenga presionado el cierre del husillo (3) y apriete la brida exterior empleando la llave de doble tetón (14) (fig. E). Asegúrese de que la brida exterior se encuentra instalada correctamente y que el disco está fuertemente sujeto.

#### Extracción

- ◆ Mantenga presionado el cierre del husillo (3) y afloje la brida exterior (13) empleando la llave de doble tetón (14) (fig. E).
- ◆ Retire la brida exterior (13), el disco de lijar (16) y la almohadilla de soporte (15).

## Uso

**¡Advertencia!** Deje que la herramienta funcione a su ritmo. No lo sobrecargue.

- ◆ Guíe con cuidado el cable para evitar que se corte de manera accidental
- ◆ Prepárese para recibir un chorro de chispas en el momento en que la muela o el disco de corte toque la pieza de trabajo.

- ◆ Coloque siempre la herramienta de forma que la protección le proteja eficazmente de la muela o el disco de corte.

### Encendido y apagado

- ◆ Para encender el aparato, deslice el interruptor de encendido/apagado (1) hacia delante. Tenga en cuenta que la herramienta sigue funcionando al soltar el interruptor
- ◆ Para apagar la herramienta, pulse la parte trasera del interruptor on/off.

**¡Advertencia!** No apague la herramienta mientras esté con carga.

### Consejos para un uso óptimo

- ◆ Sujete firmemente la herramienta con una mano alrededor del mango lateral y con la otra alrededor del mango principal.
- ◆ Cuando esté esmerilando, mantenga siempre un ángulo de 15° aproximadamente entre el disco y la superficie de la pieza de trabajo.

### Mantenimiento

La herramienta ha sido diseñada para que funcione durante un largo período de tiempo con un mantenimiento mínimo. El funcionamiento satisfactorio continuado depende de un cuidado apropiado y una limpieza periódica.

**¡Advertencia!** Antes de realizar cualquier tipo de mantenimiento, apague y desenchufe la herramienta.

- ◆ Limpie periódicamente las ranuras de ventilación de la herramienta con un cepillo suave o un paño seco.
- ◆ Limpie periódicamente la carcasa del motor con un paño húmedo. No utilice ninguna sustancia limpiadora abrasiva o que contenga disolventes.

### Protección del medio ambiente



Separación de desechos. Este producto no debe desecharse con la basura doméstica normal.

Si llega el momento de reemplazar su producto Black & Decker o éste ha dejado de tener utilidad para usted, no lo deseche con la basura doméstica normal. Asegúrese de que este producto se deseche por separado.



La separación de desechos de productos usados y embalajes permite que los materiales puedan reciclarse y reutilizarse. La reutilización de materiales reciclados ayuda a evitar la contaminación medioambiental y reduce la demanda de materias primas.

La normativa local puede prever la separación de desechos de productos eléctricos de uso doméstico en centros municipales de recogida de desechos o a través del distribuidor cuando adquiere un nuevo producto.

Black & Decker proporciona facilidades para la recogida y el reciclado de los productos Black & Decker que hayan llegado al final de su vida útil. Para hacer uso de este servicio, devuelva su producto a cualquier servicio técnico autorizado, que lo recogerá en nuestro nombre.

Pueden consultar la dirección de su servicio técnico más cercano poniéndose en contacto con la oficina local de Black & Decker en la dirección que se indica en este manual. Como alternativa, puede consultar en Internet la lista de servicios técnicos autorizados e información completa de nuestros servicios de posventa y contactos en la siguiente dirección:

**www.2helpU.com**

### Características técnicas

		AST6	CD105	CD110	CD115
Voltaje	V <sub>AC</sub>	230	230	230	230
Potencia absorbida	W	701	701	701	710
Velocidad sin carga	min <sup>-1</sup>	10.000	10.000	10.000	10.000
Diámetro del disco	mm	115	115	100	115
Diámetro interior del disco	mm	22	22	16	22
Grosor máximo del disco					
muelas	mm	6	6	6	6
discos de corte	mm	3,5	3,5	3,5	3,5
Dimensión del husillo		M14	M14	M10	M14
Peso	kg	2,1	2,1	2,1	2,1

### Declaración de conformidad CE

AST6/CD105/CD110/CD115

Black & Decker declara que estos productos cumplen las normas siguientes:

89/37/CEE, 89/336/CEE, EN 50144, EN 55014, EN 61000

$L_{pA}$  (presión acústica) 89,9 dB(A),  $L_{WA}$  (potencia acústica) 102,9 dB(A), vibraciones soportadas en mano/brazo < 2,5 m/s<sup>2</sup>

Kevin Hewitt  
Director de Ingeniería del Consumidor  
Spennymoor, County Durham DL16 6JG,  
Reino Unido  
1-5-2005

## Garantía

Black & Decker confía plenamente en la calidad de sus productos y ofrece una garantía extraordinaria. Esta declaración de garantía es una añadido, y en ningún caso un perjuicio para sus derechos estatutarios. La garantía es válida dentro de los territorios de los Estados Miembros de la Unión Europea y de los de la Zona Europea de Libre Comercio.

Si un producto Black & Decker resultará defectuoso debido a materiales o mano de obra defectuosos o a la falta de conformidad, Black & Decker garantiza, dentro de los 24 meses de la fecha de compra, la sustitución de las piezas defectuosas, la reparación de los productos sujetos a un desgaste y rotura razonables o la sustitución de tales productos para garantizar al cliente el mínimo de inconvenientes, a menos que:

- ◆ El producto haya sido utilizado con propósitos comerciales, profesionales o de alquiler;
- ◆ El producto haya sido sometido a un uso inadecuado o negligente;
- ◆ El producto haya sufrido daños causados por objetos o sustancias extrañas o accidentes;
- ◆ Se hayan realizado reparaciones por parte de personas que no sean los servicios de reparación autorizados o personal de servicios de Black & Decker;

Para reclamar en garantía, será necesario que presente la prueba de compra al vendedor o al servicio técnico de reparaciones autorizado. Pueden consultar la dirección de su servicio técnico más cercano poniéndose en contacto con la oficina local de Black & Decker en la dirección que se indica en este manual. Como alternativa, se puede consultar en Internet, en la dirección siguiente, la lista de servicios técnicos autorizados e información completa de nuestros servicios de postventa y contactos:

**[www.2helpU.com](http://www.2helpU.com)**

Visite nuestro sitio web **[www.blackanddecker.com](http://www.blackanddecker.com)** para registrar su nuevo producto Black & Decker y mantenerse al día sobre nuestros productos y ofertas especiales. Encontrará información adicional sobre la marca Black & Decker y nuestra gama de productos en **[www.blackanddecker.com](http://www.blackanddecker.com)**



## Utilização

A sua rebarbadora Black & Decker foi projectada para cortar metal e alvenaria com o tipo de disco de corte ou de rebarbar apropriado.

Esta ferramenta destina-se apenas ao doméstico.

## Instruções de segurança

- ◆ **Aviso!** Ao utilizar ferramentas eléctricas, é preciso seguir sempre as precauções básicas para a segurança, incluindo as detalhadas a seguir, para diminuir os riscos de incêndio, choque eléctrico, ferimentos pessoais e danos materiais.
- ◆ Leia atentamente este manual antes de utilizar a ferramenta.
- ◆ Guarde este manual para futura consulta.
- ◆ Remova a ficha da tomada antes de efectuar qualquer ajuste, reparação ou manutenção.

### Mantenha a área de trabalho arrumada

Áreas de trabalho desarrumadas podem implicar ferimentos.

### Cuide do ambiente da área de trabalho

Não deve expor ferramentas eléctricas à chuva, nem usá-las em locais húmidos ou molhados.

Mantenha a área de trabalho bem iluminada. Não utilize a ferramenta onde haja risco de fogo ou explosão, p.ex. em presença de líquidos ou gases inflamáveis.

### Mantenha as crianças afastadas

Não permita que crianças, visitantes ou animais cheguem perto da área de trabalho ou toquem na ferramenta ou no cabo eléctrico.

### Vista-se adequadamente

Não use roupas folgadas nem bijuteria pois podem ficar presas nas partes móveis da máquina. Quando se trabalha no exterior, aconselha-se o uso de luvas de borracha e de calçado antiderrapante. Se tiver o cabelo comprido apanhe-o ou use uma protecção.

### Protecção pessoal

Utilize óculos de protecção. Utilize óculos e máscara de protecção sempre que as operações possam produzir poeiras ou partículas que voem.

### Tenha cuidado com os choques eléctricos

Evite tocar em superfícies aterradas ou ligadas à terra, como por exemplo: canos, radiadores, fogões e frigoríficos. A segurança eléctrica pode ser melhorada mediante o uso de dispositivos de corrente residual (RCD) de alta sensibilidade (30 mA / 30 mS).

### Não se incline demasiadamente

Mantenha-se numa posição de pé e bem equilibrada.

### Mantenha-se atento

Dê atenção ao que vai fazendo. Seja cuidadoso.

Não utilize ferramentas quando estiver cansado.

### Fixe a peça a trabalhar

Utilize grampos ou um torno para segurar as peças de trabalho.

É mais seguro e permite manter as duas mãos livres para trabalhar.

### Coloque o equipamento de extracção de poeiras

Caso sejam fornecidos os dispositivos para a extracção e colecta de poeiras, assegure-se de que os mesmos estão correctamente ligados e são bem utilizados.

### Retire as chaves de aperto

Verifique sempre se as chaves de aperto foram retiradas da ferramenta antes de a utilizar.

### Extensões eléctricas

Antes de iniciar o uso, verifique o estado da extensão eléctrica e substitua-a se estiver danificada. Ao utilizar a ferramenta no exterior, utilize apenas extensões adequadas para este tipo de uso. Pode ser utilizado um cabo de extensão Black & Decker de 30 m.

### Utilize a ferramenta correcta

Neste manual indicam-se as aplicações da ferramenta.

Não force pequenas ferramentas ou acessórios para fazer o trabalho dum ferramenta forte. A ferramenta trabalhará melhor e de uma maneira mais segura se for utilizada para o efeito indicado. Não force a ferramenta. Não utilize a ferramenta para fins diferentes dos previstos. Por exemplo, não utilize as serras circulares para cortar ramos de árvore ou lenha.

**Aviso!** O uso de qualquer acessório ou da própria ferramenta, além do que é recomendado neste manual de instruções pode constituir um risco para a segurança do utilizador.

### Verifique se há peças danificadas.

Antes de a utilizar, verifique cuidadosamente se a ferramenta e o cabo eléctrico não estão danificados. Verifique o tamanho das peças móveis e se as mesmas estão alinhadas; verifique se há alguma peça partida, se as protecções e os interruptores estão danificados, bem como quaisquer outras condições que possam afectar o funcionamento da ferramenta. Assegure-se de que a ferramenta funciona correctamente e de que está a desempenhar as funções para as quais foi projectada.

Não utilize a ferramenta se houver alguma peça defeituosa. Não utilize a ferramenta se o interruptor de ligar/desligar não estiver a funcionar. Qualquer peça defeituosa deve ser reparada ou substituída por um técnico autorizado.

Nunca tente efectuar qualquer reparação por sua conta.

### Desligue a ferramenta

Desligue a ferramenta quando não estiver em uso, antes de trocar qualquer peça da ferramenta, acessórios ou dispositivos e antes de a enviar para os serviços técnicos.

### Evite ligar sem intenção

Não transporte a ferramenta com um dedo sobre o interruptor de ligar/desligar. Assegure-se de que a ferramenta está desligada quando for ligá-la à tomada.

## Não force o cabo eléctrico

Nunca transporte a ferramenta pelo cabo ou puxe o mesmo para retirá-lo da tomada. Proteja o cabo contra o calor e evite o contacto com óleo e objectos cortantes.

## Guarde as ferramentas que não estiverem a ser utilizadas.

Quando não estiver em uso, as ferramentas deverão ser armazenadas em local seco, fechado ou alto, fora do alcance das crianças.

## Cuide das suas ferramentas com atenção

Mantenha as ferramentas cortantes afiadas e limpas para um melhor e mais seguro desempenho. Siga as instruções para a manutenção e a troca de acessórios. Mantenha os punhos e os interruptores secos, limpos e isentos de óleo e gordura.

## Reparações

Esta ferramenta cumpre os requisitos de segurança pertinentes. As reparações devem ser realizadas somente por pessoas qualificadas e as peças de reposição devem ser originais. A não observância disso poderá resultar em perigos consideráveis para os utilizadores.

## Segurança eléctrica



Esta ferramenta está duplamente vedada; assim não é necessário fio de terra. Certifique-se sempre de que o fornecimento de energia corresponde à voltagem indicada na placa de especificações.

## Instruções de segurança adicionais para rebarbadoras



Leia o manual de instruções antes de utilizar.



Utilize óculos de segurança durante o funcionamento da ferramenta.



Utilize óculos de segurança durante o funcionamento da ferramenta.

- ◆ Use sempre auriculares de protecção e óculos de protecção quando utilizar esta ferramenta.
- ◆ Deve utilizar-se equipamento de protecção pessoal, tal como máscara de rosto, luvas, capacete e capa protectora.
- ◆ Não corte nem rebarbe metais leves com conteúdo de magnésio superior a 80%, já que são materiais inflamáveis.
- ◆ Utilize apenas discos de corte e de rebarbar e outros acessórios recomendados neste manual.
- ◆ Assegure-se de que a velocidade máxima do disco de corte ou de rebarbar não ultrapasse a velocidade da ferramenta sem carga.
- ◆ Não use discos de corte e de rebarbar que não estejam em conformidade com as dimensões especificadas nos dados técnicos.

Não utilize reduções macho-fêmea separadas ou adaptadores, nem faça modificações não autorizadas para adaptar rodas abrasivas com orifício grande.

- ◆ Não corte peças de trabalho que exijam uma profundidade máxima de corte superior à do disco de corte.
- ◆ Não utilize discos de corte para o rebarbamento lateral.
- ◆ Inspeccione os discos de rebarbar e de corte antes de cada utilização. Não utilize discos desbastados, rachados ou defeituosos.
- ◆ Certifique-se de que os discos e as pontas são instalados de acordo com as instruções do fabricante.
- ◆ Certifique-se de que o produto abrasivo está montado e apertado correctamente antes de utilizar, e faça funcionar a ferramenta sem carga durante 30 seg. numa posição segura; pare imediatamente se existir uma vibração considerável ou se detectar outros defeitos. Se isto acontecer, verifique a máquina para determinar a causa.
- ◆ Certifique-se de que se utiliza talões quando são fornecidos com o produto abrasivo ligado e quando for necessário.
- ◆ Quando aplicar um disco com o orifício roscado, certifique-se de que a rosca é suficientemente longa para aceitar o comprimento do fuso.
- ◆ Nunca utilize a ferramenta sem o resguardo.
- ◆ Verifique se a peça de trabalho está apoiada de forma adequada.
- ◆ Não exerça pressão sobre o disco de corte ou de rebarbar.
- ◆ Certifique-se de que as faíscas resultantes da utilização não criam um perigo, por ex., não atinjam pessoas nem provoquem a ignição de substâncias inflamáveis
- ◆ Tenha atenção que após desligar a ferramenta, a roda continua a girar durante um curto período de tempo.
- ◆ Certifique-se de que as ranhuras de ventilação estão limpas quando trabalhar em locais poeirentos. Deve tornar-se necessário limpar o pó; desligue primeiro a ferramenta da fonte de alimentação. Evite danificar peças internas, utilize uma escova macia ou um pano seco, não utilize objectos metálicos.
- ◆ As rodas abrasivas deverão ser armazenadas e manuseadas com cuidado de acordo com as instruções do fabricante e guarde sempre os discos de rebarbar e de corte em local seco.

## Características

Esta ferramenta inclui algumas ou todas as seguintes características.

1. Interruptor de ligar/desligar
2. Punho lateral
3. Trava do veio
4. Resguardo

## Montagem

**Advertência!** Antes da montagem, certifique-se de que a ferramenta está desligada da corrente eléctrica.

### Colocação e remoção do resguardo (fig. A & B)

#### Colocação

- ◆ Coloque a ferramenta numa mesa, com o fuso (5) para cima.
- ◆ Coloque a anilha de mola (6) por cima do fuso e localize-a a partir do ombro (7).
- ◆ Coloque o resguardo (4) na ferramenta, conforme o indicado.
- ◆ Coloque a flange (8) por cima do fuso com as saliências na direcção do resguardo. Certifique-se de que os orifícios na flange estão alinhados com os orifícios dos parafusos.
- ◆ Fixe a flange com os parafusos (9). Certifique-se de que os parafusos estão completamente apertados e que o resguardo pode ser rodado.

#### Remoção

- ◆ Utilize uma chave de parafusos para remover os parafusos (9).
- ◆ Remova a flange (8), resguardo (4) e anilha de mola (7). Armazene estas peças cuidadosamente.

**Advertência!** Nunca utilize a ferramenta sem o resguardo.

### Encaixe do punho lateral

- ◆ Enrosque o punho lateral (2) num dos orifícios de montagem disponíveis na ferramenta.

**Advertência!** Utilize sempre o punho lateral.

### Encaixe e remoção dos discos de corte ou de rebarbar (fig. C - E)

Utilize sempre o tipo de disco correcto para cada aplicação. Utilize discos cujo diâmetro e tamanho do orifício sejam correctos (veja os dados técnicos).

#### Colocação

- ◆ Encaixe o resguardo conforme o descrito acima.
- ◆ Coloque a flange interna (10) no fuso (5) conforme ilustrado (fig. C). Assegure-se de que a flange esteja localizada correctamente nos lados planos do fuso.
- ◆ Coloque o disco (11) no fuso (5) conforme o mostrado (fig. C). Se o disco tiver o centro elevado (12), assegure-se de que a parte mais alta esteja faceada com a flange interna.
- ◆ Assegure-se de que o disco esteja correctamente sobre a flange interna.
- ◆ Coloque a flange externa (13) no fuso. Quando for encaixar discos de rebarbar, o centro elevado da flange externa deverá estar orientado para o disco (A na fig. D).

Quando for instalar discos de corte, o centro elevado da flange externa deverá estar em direcção oposta ao disco (B na fig. D).

- ◆ Mantenha o travão do fuso (3) para baixo e aperte a flange externa com a chave de dois pinos (14) (fig. E).

#### Remoção

- ◆ Mantenha o travão do fuso (3) para baixo e solte a flange externa (13) com a chave de dois pinos (14) (fig. E).
- ◆ Remova a flange externa (13) e o disco (11).

### Colocação e remoção dos discos de lixa (fig. E & F)

Para lixar, será necessário um disco de protecção. O disco de protecção pode ser obtido como acessório através dos revendedores da Black & Decker.

#### Colocação

- ◆ Coloque a flange interna (10) no fuso (5) conforme o mostrado (fig. F). Assegure-se de que a flange esteja localizada correctamente nos lados planos do fuso.
- ◆ Coloque o disco de protecção (15) no fuso.
- ◆ Coloque o disco de lixar (16) no disco de protecção.
- ◆ Coloque a flange externa (13) no fuso com o centro elevado em direcção contrária ao disco.
- ◆ Mantenha o travão do fuso (3) para baixo e aperte a flange externa com a chave de dois pinos (14) (fig. E). Certifique-se de que a flange externa é a correcta para o disco e que este está correctamente colocado.

#### Remoção

- ◆ Mantenha o travão do fuso (3) para baixo e solte a flange externa (13) com a chave de dois pinos (14) (fig. E).
- ◆ Remova a flange externa (13), o disco de lixar (16) e o disco de protecção (15).

## Utilização

**Advertência!** Deixe que a ferramenta funcione à vontade. Não o sobrecarregue.

- ◆ Guie o cabo cuidadosamente para evitar cortá-lo acidentalmente.
- ◆ Prepare-se para a corrente de faíscas quando o disco de rebarbar ou de corte tocar a peça de trabalho.
- ◆ Posicione a ferramenta sempre de maneira que o resguardo ofereça uma protecção óptima contra o disco de corte ou de rebarbar.

### Como ligar e desligar a ferramenta

- ◆ Para ligar o aparelho, empurre o interruptor de ligar/desligar (1) para a frente. Note que a ferramenta continua a funcionamento depois de largar o interruptor.

- ◆ Para desligá-la, prima a parte traseira do mesmo.

**Advertência!** Não desligue a ferramenta sob carga.

### Sugestões para uma melhor utilização

- ◆ Segure firme a ferramenta com uma mão no punho lateral e a outra no manípulo principal.
- ◆ Quando for rebarbar, mantenha sempre um ângulo aproximado de 15° entre o disco e a superfície da peça de trabalho.

### Manutenção

Esta ferramenta foi desenvolvida para funcionar por um longo período, com o mínimo de manutenção. O funcionamento contínuo e satisfatório depende da limpeza regular e da manutenção adequada.

**Advertência!** Antes de qualquer procedimento de manutenção, desligue a ferramenta no interruptor e retire a tomada da corrente.

- ◆ Limpe regularmente as fendas de ventilação da ferramenta utilizando uma escova suave ou um pano seco.
- ◆ Limpe regularmente o compartimento do motor utilizando um pano húmido. Não utilize nenhum detergente abrasivo ou de base solvente.

### Protecção do meio ambiente



Recolha em separado. Não deve deitar este produto fora juntamente com o lixo doméstico normal.

Caso chegue o momento em que um dos seus produtos Black & Decker precise de ser substituído ou decida desfazer-se do mesmo, não o deite fora juntamente com o lixo doméstico. Torne este produto disponível para uma recolha em separado.



A recolha em separado de produtos e embalagens utilizados permite que os materiais sejam reciclados e reutilizados. A reutilização de materiais reciclados ajuda a evitar a poluição ambiental e a reduzir a procura de matérias-primas.

Os regulamentos locais poderão providenciar a recolha em separado de produtos eléctricos junto das casas, em lixeiras municipais ou junto dos fornecedores ao adquirir um novo produto.

A Black & Decker oferece um serviço de recolha e reciclagem de produtos Black & Decker que tenha atingido o fim das suas vidas úteis. Para tirar proveito deste serviço, devolva seu produto a qualquer agente de reparação autorizado, que se encarregará de recolher o equipamento em nosso nome.

Para verificar a localização do agente de reparação mais próximo de si, contacte o escritório local da Black & Decker no endereço indicado neste manual. Se preferir, consulte a lista de agentes autorizados da Black & Decker e os dados completos dos nossos serviços de atendimento pós-venda na Internet no endereço: [www.2helpU.com](http://www.2helpU.com)

### Dados técnicos

	AST6	CD105	CD110	CD115
Voltagem	V <sub>AC</sub> 230	230	230	230
Potência	W 701	701	701	710
Velocidade sem carga	min <sup>-1</sup> 10.000	10.000	10.000	10.000
Diâmetro do disco	mm 115	115	100	115
Orifício do disco	mm 22	22	16	22
Espessura máx. do disco				
discos de rebarbar	mm 6	6	6	6
discos de corte	mm 3,5	3,5	3,5	3,5
Tamanho do fuso	M14	M14	M10	M14
Peso	kg 2,1	2,1	2,1	2,1

### Declaração de conformidade CE

AST6/CD105/CD110/CD115

A Black & Decker declara que estes produtos estão em conformidade com a:

98/37/CEE, 89/336/CEE, EN 50144, EN 55014, EN 61000

L<sub>TA</sub> (pressão acústica) 89,9 dB(A), L<sub>WA</sub> (potência acústica) 102,9 dB(A), vibração medida da mão/braço de < 2,5 m/s<sup>2</sup>

Kevin Hewitt

Director de Engenharia do Consumo  
Spennymoor, County Durham DL16 6JG,  
Reino Unido  
1-5-2005

### Garantia

A Black & Decker confia na qualidade de seus produtos e oferece um programa de garantia excelente. Esta declaração de garantia soma-se aos seus direitos legais e não os prejudica em nenhum aspecto. A garantia será válida nos territórios dos Estados Membros da União Europeia e na Área de Livre Comércio da Europa.

Caso algum produto da Black & Decker apresente avarias devido a defeitos de material, mão-de-obra ou ausência de conformidade no prazo de 24 meses a partir da data de compra, a Black & Decker garantirá a substituição das peças defeituosas, a reparação dos produtos que foram submetidos a uso adequado e remoção ou substituição dos mesmos para assegurar o mínimo de inconvenientes ao cliente a menos que:

- ◆ O produto tenha sido utilizado para fins comerciais, profissionais ou aluguer;
- ◆ O produto tenha sido submetido a uso incorrecto ou descuido;
- ◆ O produto tenha sofrido danos causados por objectos estranhos, substâncias ou acidentes;
- ◆ Tenha um histórico de reparações efectuadas por terceiros que não sejam os agentes autorizados ou profissionais de manutenção da Black & Decker.

Para activar a garantia, será necessário enviar a prova de compra ao revendedor ou agente de reparação autorizado. Para verificar a localização do agente de reparação mais próximo de si contacte o escritório local da Black & Decker no endereço indicado neste manual. Se preferir, consulte a lista de agentes autorizados da Black & Decker e os dados completos de nossos serviços de atendimento pós-venda na Internet no endereço: **[www.2helpU.com](http://www.2helpU.com)**

Visite o nosso website **[www.blackanddecker.com](http://www.blackanddecker.com)** para registar o seu novo produto Black & Decker e para se manter actualizado sobre novos produtos e ofertas especiais. Estão disponíveis mais informações sobre a Black & Decker e sobre a nossa gama de produtos em **[www.blackanddecker.com](http://www.blackanddecker.com)**

## Användningsområde

Din Black & Decker vinkelslip är avsedd till att skära i metall och murverk med rätt typ av kap- eller slipskiva. Verktyget är endast avsett som konsumentverktyg.

## Säkerhetsinstruktioner

- ♦ **Varning!** När man använder elverktyg är det viktigt att man bl.a. följer nedanstående säkerhetsanvisningar för att minska risken för brand, elektriska stötar, personsador och materialsador.
- ♦ Spara bruksanvisningen lättillgängligt.
- ♦ Ta ut kontakten ur vägguttaget före installationer, service eller underhåll.

## Håll arbetsområdet i ordning

Nedskräpade ytor och arbetsbänkar inbjuder till skador.

### Tänk på arbetsmiljöns inverkan

Utsätt inte verktyget för regn. Använd inte verktyget på fuktiga eller våta platser. Ha bra belysning över arbetsytan. Använd inte verktyget där det finns risk för eldsvåda eller explosion, t.ex. i närheten av lättantändliga vätskor eller gaser.

### Utom räckhåll för barn

Tillåt inte barn, besökande eller djur att komma i närheten av arbetsplatsen eller att röra vid verktyget eller sladden.

### Klä dig rätt

Bär inte löst hängande kläder eller smycken. De kan fastna i rörliga delar. Gummihandskar och halkfria skor rekommenderas vid utomhusarbeten. Använd hårnät om du har långt hår.

### Skyddskläder

Använd alltid skyddsglasögon. Använd ansiktsmask om arbetet förorsakar damm eller partiklar i luften. Använd hörselskydd.

### Eliminera risken för elektriska stötar

Undvik kroppskontakt med jordade ytor (t.ex. rör, värmeelement, vattenkokare och kylskåp). Elsäkerheten kan förbättras ytterligare genom användning av en jordfelsbrytare med hög känslighet (30 mA/30 mS).

### Sträck dig inte för mycket

Se till att du alltid har säkert fotfäste och balans.

### Var uppmärksam

Titta på det du gör. Använd sunt förnuft. Använd inte verktyget när du är trött.

### Sätt fast arbetsstycket

Använd skruvvingar eller ett skruvstycke för att hålla fast arbetsstycket. Det är säkrare än att använda handen och du får bägge händerna fria för arbetet.

### Anslut dammsugningsutrustning

Om möjligheter finns för anslutning av utrustning för dammsugning och dammupsamling ska sådan utrustning anslutas och användas på korrekt sätt. OBS! Anslut endast grovsugare.

## Tag bort nycklar

Kontrollera att nycklar och justerverktyg har tagits bort från verktyget innan det startas.

## Förlängningssladdar

Kontrollera förlängningssladden innan den används. Byt ut den om det behövs. Om verktyget används utomhus ska bara förlängningssladdar som är avsedda för utomhusbruk användas. Förlängningssladd upp till 30 meter kan användas utan att effekten avtar.

## Använd rätt verktyg

Använd inte verktyg för ändamål de inte är avsedda för. Tvinga inte verktyget att göra arbeten som är avsedda för kraftigare verktyg. Använd endast tillbehör och tillsatser som är rekommenderade i bruksanvisningen och katalogerna. Överbelasta inte verktyget. Använd till exempel inte cirkelsågar för att såga grenar eller ved.

**Varning!** Användning av annat verktyg eller tillbehör kan innebära risk för personskada.

## Kontrollera verktyget för skador

Kontrollera verktyget och sladden för skador innan du använder verktyget. Kontrollera att de rörliga delarna inte har fastnat eller är felmonterade. Kontrollera även att övriga delar och skydd inte är skadade och att det inte föreligger några andra fel som kan påverka verktygets funktion. Kontrollera att verktyget fungerar riktigt och kan utföra de avsedda funktionerna. Använd inte verktyget om fel uppstått på någon av dess delar. Använd inte verktyget om det inte kan kopplas till och från med strömbrytaren. Om fel uppstår skall delarna repareras eller bytas ut av en auktoriserad Black & Decker serviceverkstad. Försök aldrig reparera verktyget själv.

## Dra ur kontakten

Tag ur kontakten när verktyget inte är i bruk samt före byte av någon del av verktyget, tillbehör eller verktygsfästen eller innan serviceåtgärder utförs.

## Undvik oavsiktlig start

Bär aldrig verktyget med ett finger på strömbrytaren. Kontrollera att verktyget är avstängt innan du sätter i kontakten.

## Misshandla inte sladden

Bär aldrig verktyget i sladden och använd inte sladden för att dra ut kontakten. Utsätt inte sladden för värmekällor, olja eller skarpa kanter.

## Förvara verktyg säkert

När verktyget inte används ska det förvaras på ett torrt ställe, som antingen är låst eller högt beläget så att barn inte kan komma åt det.

## Sköt verktyget med omsorg

Håll verktyget rent och använd skarpa tillbehör för bättre prestanda och säkrare drift. Följ instruktionerna beträffande skötsel och byte av tillbehör. Håll handtagen och strömbrytare torra, rena och fria från olja och fett.

## Reparationer

Detta verktyg uppfyller gällande säkerhetskrav.

Reparationer ska utföras av en auktoriserad Black & Decker serviceverkstad som använder originaldelar, annars kan användaren utsättas för stor fara.

## Elektrisk säkerhet



Eftersom verktyget är dubbelisolerat behövs ingen jordledare. Kontrollera alltid att spänningen på nätet överensstämmer med den spänning som finns angiven på märkplåten.

## Tillkommande säkerhetsanvisningar för vinkelslipar



Läs bruksanvisningen före bruk.



Använd skyddsglasögon under arbetet med maskinen.



Använd hörselskydd under arbetet med maskinen.

- ◆ Använd alltid ögon- och hörselskydd vid arbete med detta verktyg.
- ◆ Du bör även bära personlig skyddsutrustning såsom dammfiltermask, handskar, arbetshjälm och förkläde.
- ◆ Använd inte slipen till att kapa eller slipa lättmetall med ett magnesiuminnehåll som överstiger 80% eftersom sådana metaller är mycket lättantändliga.
- ◆ Använd endast slipskivor, kapskivor och övriga tillbehör som rekommenderas i denna manual.
- ◆ Se till att kap- eller slipskivans maximala varvtal överskrider maskinens hastighet utan belastning.
- ◆ Använd aldrig kap- eller slipskivor som inte uppfyller dimensionerna enligt verktygets tekniska data. Använd inga separata passringar, adapterar eller andra obefogade ändringar för att köra maskinen med slipskivor med större hål.
- ◆ Kapa inget material som måste kapas djupare än kapskivans maximidjup.
- ◆ Använd aldrig kapskivor för sidoslipning.
- ◆ Syna kap- eller slipskivan före varje bruk. Använd inga kanstötta, spruckna eller på annat sätt trasiga skivor.
- ◆ Kontrollera att monterade hjul och detaljer monteras enligt tillverkarens anvisningar.
- ◆ Kontrollera före varje bruk att slipprodukten är ordentligt monterad och fastsatt och låt maskinen löpa obelastad på en säker plats under 30 sekunder. Stäng omedelbart av verktyget om du känner kraftiga vibrationer eller konstaterar något annat fel. Syna in så fall hela maskinen för att fastställa orsaken.

- ◆ Var noga med att använda avstrykare om dessa krävs eller om de medföljde slipprodukten.
- ◆ Kontrollera vid placering av en skiva med gänghål att gängen är tillräckligt långa för spindelns längd.
- ◆ Använd aldrig verktyget utan skyddet.
- ◆ Se till att arbetsstycket har tillräckligt stöd.
- ◆ Utöva ingen kraft i sidled mot slip- eller kapskivan.
- ◆ Se till att gnistor som uppstår under bruk inte utgör någon fara, t.ex. att de inte träffar någon eller tänder lättantändliga substanser.
- ◆ Tänk på att skivan fortsätter rotera en kort stund när maskinen har stängts av.
- ◆ Håll ventilationsspringorna fria vid arbete under dammig förhållanden. Dra alltid först ut kontakten ur vägguttaget innan du avlägsnar damm från verktyget. Undvik att skada verktygets invändiga delar. Använd en mjuk borste eller torr trasa, aldrig ett metallföremål.
- ◆ Slipskivor måste förvaras och hanteras varsamt enligt tillverkarens anvisningar. Slip- och kapskivor skall alltid förvaras på en torr plats.

## Detaljbeskrivning

Verktyget har en del eller samtliga av nedanstående funktioner.

1. Strömbrytare
2. Sidohandtag
3. Spindellås
4. Skydd

## Montering

**Varning!** Se till att verktyget är avstängt samt att det inte är anslutet innan monteringen börjar.

### Montering och borttagning av skyddet (fig. A & B)

#### Montering

- ◆ Lägg verktyget på ett bord med spindeln (5) uppåt.
- ◆ Placera in fjäderbrickan (6) över spindeln och passa in den på ansatsen (7).
- ◆ Placera skyddet (4) på verktyget enligt figuren.
- ◆ Placera flänsen (8) över spindeln med de utskjutande delarna mot skyddet. Se till att hålen i flänsen stämmer överens med skruvhålen.
- ◆ Fäst flänsarna ordentligt med skruvarna (9). Se till att skruvarna sitter riktigt fast och att skyddet kan vridas.

#### Borttagning

- ◆ Avlägsna skruvarna (9) med en skruvmejsel.
- ◆ Ta av flänsen (8), skyddet (4) och fjäderbrickan (7). Ta hand om dessa delar ordentligt.

**Varning!** Använd aldrig verktyget utan skyddet.

## Montering av sidohandtaget

- ◆ Skruva in sidohandtaget (2) i ett av monteringshålerna i verktyget.

**Varning!** Använd alltid sidohandtaget.

## Montering och avlägsnande av slip- och kapskivor (fig. C - E)

Använd alltid rätt typ av skiva för det aktuella ändamålet. Använd alltid skivor med rätt diameter och mått i axelhål (se tekniska data).

### Montering

- ◆ Montera skyddet enligt ovanstående beskrivning.
- ◆ Placera den inre flänsen (10) på spindeln (5) enligt bilden (fig. C). Se till att flänsen ligger ordentligt med den flata sidan mot spindeln.
- ◆ Placera skivan (11) på spindeln (5) enligt bilden (fig. C). Om skivan har en upphöjning i mitten (12) måste denna upphöjning ligga mot den inre flänsen.
- ◆ Kontrollera att skivan ligger ordentligt på den inre flänsen.
- ◆ Placera den yttre flänsen (13) på spindeln. Vid montering av en slipskiva måste upphöjningen i den yttre flänsens mitt ligga mot skivan (A i fig. D). Vid montering av en kapskiva måste upphöjningen i den yttre flänsens mitt ligga bort från skivan (B i fig. D).
- ◆ Håll spindellåset (3) intryckt och dra åt den yttre flänsen med tvåstiftsnyckeln (14) (fig. E).

### Borttagning

- ◆ Håll spindellåset (3) intryckt och lossa den yttre flänsen (13) med tvåstiftsnyckeln (14) (fig. E).
- ◆ Avlägsna den yttre flänsen (13) och skivan (11).

## Montering och demontering av slippapper (fig. E & F)

För slipning krävs en stödskiva. Denna finns tillgänglig som tillbehör från din Black & Decker återförsäljare.

### Montering

- ◆ Placera den inre flänsen (10) på spindeln (5) enligt bilden (fig. F). Se till att flänsen ligger ordentligt med den flata sidan mot spindeln.
- ◆ Placera stödskivan (15) på spindeln.
- ◆ Placera slippapperet (16) på stödskivan.
- ◆ Placera den yttre flänsen (13) på spindeln med upphöjningen i mitten riktad bort från skivan.
- ◆ Håll spindellåset (3) intryckt och dra åt den yttre flänsen med tvåstiftsnyckeln (14) (fig. E). Se till att den yttre flänsen är korrekt monterad och att skivan är riktigt fastspänd.

### Borttagning

- ◆ Håll spindellåset (3) intryckt och lossa den yttre flänsen (13) med tvåstiftsnyckeln (14) (fig. E).
- ◆ Avlägsna den yttre flänsen (13), slippapperet (16) och stödskivan (15).

## Användning

**Varning!** Överbelasta inte maskinen, låt den arbeta i sin egen takt.

- ◆ Var noga med hur du leder sladden så att du inte råkar skära i den.
- ◆ Var beredd på en kvast av gnistor när slip- eller kapskivan vidrör arbetsstycket.
- ◆ Håll verktyget alltid så att skyddet ger maximal avskärmning av slip- eller kapskivan.

### Start och stopp

- ◆ Skjut strömbrytaren (1) framåt för att starta apparaten. Kom i håg att verktyget fortsätter att vara i gång när du släpper strömbrytaren.
- ◆ Tryck på strömbrytarens bakre del för att stänga av.

**Varning!** Stäng inte av verktyget när det belastas.

### Råd för bästa resultat

- ◆ Håll verktyget stadigt med ena handen runt sidohandtaget och den andra runt huvudhandtaget.
- ◆ En slipskiva bör alltid hållas i en vinkel på ca. 15° gentemot arbetsstyckets yta.

## Skötsel

Ditt verktyg har tillverkats för att fungera under lång tid med ett minimum av underhåll. Med rätt underhåll och regelbunden rengöring behåller verktyget sin prestanda.

**Varning!** Vid underhåll och skötsel skall verktyget vara avstängt och sladden utdragen.

- ◆ Rengör regelbundet verktygets luftintag med en mjuk borste eller torr trasa.
- ◆ Rengör kåpan regelbundet med en fuktig trasa. Använd aldrig rengöringsmedel med lösnings- eller slipmedel i.

## Miljöskydd



Särskild insamling. Denna produkt får inte kastas bland vanliga hushållssopor.

Om du någon gång i framtiden behöver ersätta din Black & Decker-produkt med en ny, eller inte längre behöver den, ska du inte kasta den i hushållssoporna. Denna produkt skall lämnas till särskild insamling.





Efter insamling av använda produkter och förpackningsmaterial kan materialen återvinnas och användas på nytt. Användning av återvunna material skonar miljön och minskar förbrukningen av råvaror.

Enligt lokal lagstiftning kan det förekomma särskilda insamlingar av uttjänt elutrustning från hushåll, antingen vid kommunala miljöstationer eller hos detaljhandlaren när du köper en ny produkt.

Black & Decker erbjuder en samlings- och återvinnings-tjänst för Black & Decker-produkter när de en gång har tjänat ut. För att använda den här tjänsten lämnar du in produkten till en auktoriserad B & D –reparatör/representant som tar hand om den för din räkning.

Närmaste auktoriserad Black & Decker-representant finner du genom det lokala Black & Decker-kontoret på adressen i den här manualen. Annars kan du söka på Internet, på listan över auktoriserade Black & Decker-representanter och alla uppgifter om vår kundservice och andra kontakter. [www.2helpU.com](http://www.2helpU.com)

#### Tekniska data

		AST6	CD105	CD110	CD115
Spänning	V <sub>AC</sub>	230	230	230	230
Ineffekt	W	701	701	701	710
Obelastad hastighet	min <sup>-1</sup>	10.000	10.000	10.000	10.000
Skivdiameter	mm	115	115	100	115
Axelhål	mm	22	22	16	22
Maximal skivtjocklek					
slipskivor	mm	6	6	6	6
kapskivor	mm	3,5	3,5	3,5	3,5
Spindelgånga		M14	M14	M10	M14
Vikt	kg	2,1	2,1	2,1	2,1

### EC-förklaring om överensstämmelse

AST6/CD105/CD110/CD115

Black & Decker förklarar att dessa produkter överensstämmer med:

98/37/EEG, 89/336/EEG, EN 50144, EN 55014, EN 61000

L<sub>DA</sub> (bullertryck) 89,9 dB(A), L<sub>WA</sub> (akustisk effekt) 102,9 dB(A),  
vägt geometriskt vibrationsvärde hand/arm < 2,5 m/s<sup>2</sup>

Kevin Hewitt  
Director of Consumer Engineering  
Spennymoor, County Durham DL16 6JG,  
Storbritannien  
1-5-2005

### Reservdelar / reparationer

Reservdelar finns att köpa hos auktoriserade Black & Decker verkstäder, som även ger kostnadsförslag och reparerar våra produkter.

Förteckning över våra auktoriserade verkstäder finns på Internet, vår hemsida [www.blackanddecker.se](http://www.blackanddecker.se) samt [www.2helpU.com](http://www.2helpU.com)

### Garanti

Black & Decker garanterar att produkten är fri från material- och/eller fabriktionsfel vid leverans till kund. Garantin är i tillägg till konsumentens lagliga rättigheter och påverkar inte dessa. Garantin gäller inom medlemsstaterna i Europeiska Unionen och i det Europeiska Frihandelsområdet.

Om en Black & Decker produkt går sönder på grund av material- och/eller fabriktionsfel eller brister i överensstämmelse med specifikationen, inom 24 månader från köpet, åtar sig Black & Decker att reparera eller byta ut produkten med minsta besvär för kunden.

Garantin gäller inte för fel som beror på:

- ◆ normalt slitage
- ◆ felaktig användning eller skötsel
- ◆ att produkten skadats av främmande föremål, ämnen eller genom olyckshändelse

Garantin gäller inte om reparation har utförts av någon annan än en auktoriserad Black & Decker verkstad.

För att utnyttja garantin skall produkten och inköpskvittot lämnas till återförsäljaren eller till en auktoriserad verkstad senast 2 månader efter det att felet har upptäckts. För information om närmaste auktoriserad verkstad; kontakta det lokala Black & Decker kontoret på den adress som är angiven i bruksanvisningen. En lista på alla auktoriserade verkstäder samt servicevillkor finns även tillgängligt på Internet, adress: [www.2helpU.com](http://www.2helpU.com)

Besök vår webbplats [www.blackanddecker.se](http://www.blackanddecker.se) för att registrera din nya Black & Decker-produkt samt för att erhålla information om nya produkter och specialerbjudanden. Vidare information om märket Black & Decker och vårt produktsortiment kan återfinnas på [www.blackanddecker.se](http://www.blackanddecker.se)

## Bruksområder

Din Black & Decker vinkelsliper er utformet for kapping av metall og murverk ved bruk av egnet kappe- eller slipeskive. Verktøyet er tiltenkt kun som konsumentverktøy.

## Sikkerhetsinstruksjoner

- ◆ **Advarsel!** Ved bruk av elektroverktøy, må du alltid følge en del grunnleggende sikkerhetsregler, inkludert følgende, for å redusere faren for brann, elektrisk støt, personskade og materialskade.
- ◆ Ta deg tid til å lese nøye gjennom bruksanvisningen før du begynner å bruke verktøyet.
- ◆ Oppbevar bruksanvisningen på et lett tilgjengelig sted.
- ◆ Trekk støpset ut av kontakten før du utfører justeringer, service eller vedlikehold.

### Hold arbeidsområdet rent og ryddig

En uryddig arbeidsplass innbyr til skader.

### Tenk på arbeidsmiljøets innvirkning

Utsett ikke verktøyet for regn. Bruk ikke verktøyet under våte eller fuktige forhold. Pass på at arbeidsområdet er godt opplyst. Bruk ikke verktøyet hvor det er fare for forårsaking av brann eller en eksplosjon, f. eks. i nærheten av brannfarlige væsker eller gasser.

### Hold barn unna

Ikke la barn, besøkende eller dyr komme i nærheten av arbeidsområdet eller berøre verktøyet eller strømkabelen.

### Kle deg riktig

Ha ikke på deg løstsittende klær eller smykker. De kan sette seg fast i de bevegelige delene. Vi anbefaler gummihansker og sko som ikke glir når du arbeider utendørs. Bruk hårneitt hvis du har langt hår.

### Personlig vern

Bruk vernebriller. Bruk en ansikts- eller støvmaske når operasjonene kan forårsake støv eller flyvende partikler. Bruk øreværn.

### Vern mot elektrisk støt

Unngå kroppskontakt med jodede overflater (f. eks. rør, radiatorer, komfyrer og kjøleskap). Strømsikkerheten kan forbedres ytterligere ved bruk av jordfeilbryter med høy følsomhet (30 mA/30 mS).

### Strekk deg ikke for langt

Pass på at du alltid har sikkert fotfeste og balanse.

### Vær oppmerksom

Se på det du gjør. Bruk sunn fornuft. Bruk ikke maskinen når du er trett.

### Sikre arbeidsstykket

Bruk tvinger eller skrustikker til å feste arbeidsstykket med. Dette er sikrere enn å bruke hånden, og du får begge hendene fri til å styre verktøyet.

## Kople til støvutsugststyr

Hvis det følger med utstyr for tilkoping av støvutsug og støvoppsamling, må du sørge for at dette koples til og brukes riktig. Obs! Benytt kun grovsugere!

### Fjern nøkler

Gjør det til vane å sjekke om nøkler og justeringsverktøy er fjernet før verktøyet startes.

### Skjøteledninger

Før bruk må du kontrollere skjøteledningen og bytte den ut hvis den er skadet. Når du bruker verktøyet utendørs, må du kun bruke skjøteledninger beregnet for utendørs bruk. Skjøteledning på opptil 30 m kan brukes uten effekttap.

### Bruk riktig verktøy

Bruk ikke verktøyet til formål det ikke er ment for. Tving ikke en maskin til å gjøre arbeid som krever kraftigere verktøy. Bruk bare tilbehør og utstyr som anbefales i bruksanvisningen og i katalogene. Overbelast ikke verktøyet. For eksempel skal sirkelsager ikke brukes til å sage grener eller ved.

**Advarsel!** Bruk av annet verktøy eller tilbehør kan medføre en mulig risiko for personskade.

### Sjekk verktøyet for skader

Kontroller verktøyet og strømledningen grundig for skade før bruk. Se etter feiljusteringer, om deler har satt seg fast eller har gått i stykker, skadede deksler og brytere eller andre forhold som kan påvirke bruken av verktøyet. Kontroller at verktøyet fungerer som det skal og utfører beregnet funksjon. Bruk aldri verktøyet hvis noen av delene er skadet. Ikke bruk verktøyet hvis det ikke er mulig å slå det på og av med strømbryteren. Hvis noen av delene er skadet så få de reparert eller byttet ut av et autorisert Black & Decker serviceverksted. Prøv aldri å reparere selv.

### Trekk ut støpset

Trekk ut støpset når verktøyet ikke er i bruk, før du bytter noen av delene på verktøyet, tilbehør eller tilslutning og før vedlikehold.

### Unngå utilsikket start

Bær aldri verktøyet med fingeren på strømbryteren. Pass på at verktøyet er slått av når du setter i støpset.

### Ikke mislighold ledningen

Ikke bær verktøyet etter ledningen eller trekk i ledningen når du skal ta ut støpset. Utsett ikke ledningen for varme, olje, eller skarpe kanter.

### Oppbevar verktøy på et trygt sted

Når verktøyet ikke er i bruk, bør det oppbevares på et tørt sted som er låst eller høyt oppe, utenfor barns rekkevidde.

### Vær nøye med vedlikeholdet

Hold verktøyet rent og bruk skarpe tilbehør for bedre prestasjon og sikrere drift. Følg forskriftene når det gjelder vedlikehold og skifte av tilbehør. Hold håndtakene og brytere tørre, rene og fri for olje og fett.

### Reparasjoner

Dette verktøyet overholder relevante sikkerhetskrav.

Reparasjoner må bare utføres av autoriserte Black & Decker serviceverksteder som benytter originale reservedeler, ellers kan det være farlig å bruke utstyret.

### Elektrisk sikkerhet



Dette verktøyet er dobbeltisolert. Jordet ledning er derfor ikke nødvendig. Kontroller at nettspenningen er i overensstemmelse med spenningen på typeskiltet.

### Ekstra sikkerhetsinstruksjoner for vinkelslipere



Les instruksjonshåndboken før bruk.



Ha på deg vernebriller når du bruker dette verktøyet.



Ha på deg hørselvern når du bruker dette verktøyet.

- ◆ Bruk alltid vernebriller og hørselvern når du bruker dette verktøyet.
- ◆ Du må alltid bruke personlig verneutstyr som for eksempel støvmaske, hansker, hjelm og forkle.
- ◆ Ikke kapp eller slip lettmetall med et magnesiuminnhold over 80 %, siden denne metalltypen er brennbar.
- ◆ Ikke bruk andre kappe- og slipeskiver eller annet tilbehør enn det som er anbefalt i denne håndboken.
- ◆ Pass på at maksimal hastighet for kappe- eller slipeskiven er høyere enn ubelastet hastighet for verktøyet.
- ◆ Ikke bruk kappe- og slipeskiver som ikke er i samsvar med dimensjonene angitt i de tekniske dataene. Ikke bruk separate reduksjonsbøssinger eller adaptere og gjør ingen uautoriserte endringer for å tilpasse slipeskiver med store hull.
- ◆ Ikke kapp arbeidsemner som krever en maksimal kappedybde som er større enn kappeskivens dybde.
- ◆ Ikke bruk kappeskiver til sidesliping.
- ◆ Kontroller slipe- og kappeskiver før hver bruk. Ikke bruk skiver som har hakk, sprekker eller andre defekter.
- ◆ Forviss deg om at de monterte hjulene og spissene er satt på i samsvar med produsentens anvisninger.
- ◆ Pass på at slipeproduktet er riktig montert og strammet før bruk og kjør verktøyet på tomgang i 30 sek i sikker stilling, stopp øyeblikkelig hvis det er sterk vibrasjon eller det oppdages andre feil. Hvis dette skjer, kontroller maskinen for å finne årsaken.
- ◆ Pass på å ikke bruke avstryker når dette følger med slipeproduktet, og når det er nødvendig.
- ◆ Når du setter på en skive med gjenget hull, pass på at gjengen er lang nok for lengden på spindelen.
- ◆ Du må aldri bruke verktøyet uten beskyttelsen.

- ◆ Kontroller at det er god nok støtte for arbeidsstykket.
- ◆ Ikke utsett kappe- eller slipeskiven for trykk fra siden.
- ◆ Pass på at gnistene som oppstår under bruk ikke utgjør noen fare, f. eks. at de treffer mennesker eller antenner brennbare stoffer.
- ◆ Vær oppmerksom på at skiven fortsetter å rotere en stund etter at du har slått av verktøyet.
- ◆ Pass på at ventileringsåpningene ikke blir blokkert mens du arbeider i støvete omgivelser. Koble verktøyet fra strømtilførselen først, hvis det må renses for støv. Unngå å skade indre deler, bruk en tørr børste eller en myk klut og bruk aldri metallgjenstander.
- ◆ Slipeskiver skal lagres og håndteres med omhu, i henhold til instruksjonene fra produsenten, og kappe- og slipeskiver må alltid oppbevares på et tørt sted.

### Funksjoner

Dette verktøyet har noen av eller alle disse funksjonene:

1. Strømbryter
2. Sidehåndtak
3. Spindellås
4. Beskyttelse

### Montering

**Advarsel!** Før monteringen, må du passe på at verktøyet er slått av og at kontakten er trukket ut.

### Montere og fjerne beskyttelsen (fig. A & B)

#### Plassere på basen

- ◆ Legg verktøyet på et bord, med spindelen (5) opp.
- ◆ Sett fjærskiven (6) over spindelen og plasser den på skulderen (7).
- ◆ Plasser beskyttelsen (4) på verktøyet som vist.
- ◆ Plasser flensen (8) over spindelen med de utstikkende rørene mot beskyttelsen. Kontroller at hullene i flensen er på linje med skruhullene.
- ◆ Fest flensen med skruene (9). Kontroller at skruene er strammet til, og at beskyttelsen kan roteres.

#### Fjerne fra basen

- ◆ Bruk en skrutrekker til å fjerne skruene (9).
- ◆ Fjern flensen (8), beskyttelsen (4) og fjærskiven (7). Oppbevar disse delene med omhu.

**Advarsel!** Du må aldri bruke verktøyet uten beskyttelsen.

#### Sette på sidehåndtaket

- ◆ Skru sidehåndtaket (2) inn i ett av festehullene på verktøyet.

**Advarsel!** Bruk alltid sidehåndtaket.

## Sette på og ta av slipe- eller kappeskivene (fig. C - E)

Bruk alltid riktig type skive til formålet. Bruk alltid skiver med riktig diameter og hullstørrelse (se den tekniske informasjonen).

### Plassere på basen

- ◆ Monter beskyttelsen som beskrevet ovenfor.
- ◆ Sett innerflensen (10) inn på spindelen (5), som vist (fig. C). Pass på at flensen sitter riktig på de flate sidene av spindelen.
- ◆ Sett skiven (11) inn på spindelen (5), som vist (fig. C). Hvis skiven har et hevet felt i midten (12), må du passe på at dette feltet er vendt mot innerflensen.
- ◆ Pass på at skiven sitter riktig på innerflensen.
- ◆ Sett ytterflensen (13) inn på spindelen. Når du setter på en slipeskive, må det hevede feltet på ytterflensen stå mot skiven (A i fig. D). Når du setter på en kappeskive, må det hevede feltet på ytterflensen være vendt bort fra skiven (B i fig. D).
- ◆ Trykk og hold spindellåsen (3) og stram ytterflensen ved hjelp av skiftenøkkelen (14) (fig. E).

### Fjerne fra basen

- ◆ Trykk og hold spindellåsen (3) og løsne ytterflensen (13) ved hjelp av skiftenøkkelen (14) (fig. E).
- ◆ Ta av ytterflensen (13) og skiven (11).

## Sette på og ta av sandpapriskiver (fig. E & F)

Du trenger en pusserondell når du skal pusse. Denne bestiller du fra din Black & Decker-forhandler som tilbehør.

### Plassere på basen

- ◆ Sett innerflensen (10) inn på spindelen (5), som vist (fig. F). Pass på at flensen sitter riktig på de flate sidene av spindelen.
- ◆ Sett pusserondellen (15) inn på spindelen.
- ◆ Sett sandpapriskiven (16) inn på pusserondellen.
- ◆ Sett ytterflensen (13) inn på spindelen med det hevede feltet bort fra skiven.
- ◆ Trykk og hold spindellåsen (3) og stram ytterflensen ved hjelp av skiftenøkkelen (14) (fig. E). Kontroller at ytterflensen er riktig montert og at skiven er godt festet.

### Fjerne fra basen

- ◆ Trykk og hold spindellåsen (3) og løsne ytterflensen (13) ved hjelp av skiftenøkkelen (14) (fig. E).
- ◆ Ta av ytterflensen (13), sandpapriskiven (16) og pusserondellen (15).

## Bruk

**Advarsel!** La verktøyet jobbe med sin egen hastighet. Ikke overbelast det.

- ◆ Før ledningen forsiktig, slik at du unngår å kappe den over ved et uhell.
- ◆ Husk at det vil sprute gnister når slipe- eller kappeskiven settes ned på arbeidsemnet.
- ◆ Hold alltid verktøyet slik at beskyttelsen verner deg optimalt mot slipe- eller kappeskiven.

## Start og stopp

- ◆ For å slå på apparatet skyver du strømbryteren (1) fremover. Vær oppmerksom på at verktøyet vil fortsette å gå når du slipper bryteren.
- ◆ For å slå av verktøyet trykker du på bakre del av på/av-bryteren.

**Advarsel!** Ikke slå av verktøyet mens det er strømførende.

## Råd for optimalt resultat

- ◆ Hold verktøyet godt fast, med den ene hånden rundt sidehåndtaket og den andre hånden rundt hovedhåndtaket.
- ◆ La det alltid være en vinkel på ca. 15° mellom skiven og overflaten på arbeidsemnet når du sliper.

## Vedlikehold

Verktøyet ditt er konstruert for å være i drift over lengre tid med et minimum av vedlikehold. Det er avhengig av godt vedlikehold og regelmessig rengjøring for å fungere som det skal til enhver tid.

**Advarsel!** For alt vedlikehold må verktøyet slås av og kontakten trekkes ut.

- ◆ Rengjør ventilasjonsåpningene på verktøyet regelmessig med en myk børste eller en tørr klut.
- ◆ Rengjør motorhuset regelmessig med en fuktig klut. Ikke bruk slipende eller løsemiddelbaserte rengjøringsmidler.

## Miljøvern



Kildesortering. Dette produktet må ikke kastes i det vanlige husholdningsavfallet.

Hvis du finner ut at Black & Decker-produktet ditt må skiftes ut, eller hvis du ikke lenger har bruk for det, må du unnlate å kaste det sammen med det vanlige husholdningsavfallet. Sørg for at dette produktet gjøres tilgjengelig for kildesortering.



Kildesortering av brukte produkter og emballasje gjør det mulig å resirkulere materialer og bruke dem igjen. Gjenbruk av resirkulerte materialer bidrar til å forhindre forurensning av miljøet og reduserer behovet for råmaterialer.

Lokale regelverk kan legge tilrette for kildesortering av elektriske produkter fra husholdningen, ved kommunale deponier eller gjennom forhandleren når du kjøper et nytt produkt.

Black & Decker har tilrettelagt for innsamling og resirkulering av Black & Decker-produkter etter at de har utspilt sin rolle. Ønsker du å benytte deg av denne tjenesten, returnerer du produktet ditt til et autorisert serviceverksted, som tar det imot og formidler det videre.

Du kan få adressen til ditt nærmeste autoriserte serviceverksted ved å kontakte ditt lokale Black & Decker-kontor på adressen oppgitt i denne håndboken. Du kan også finne en komplett liste over autoriserte Black & Decker-serviceverksteder og utfyllende informasjon om vår etter salg-service og kontaktnumre på Internett på følgende adresse: [www.2helpU.com](http://www.2helpU.com)

### Tekniske data

		AST6	CD105	CD110	CD115
Spenning	V <sub>AC</sub>	230	230	230	230
Inn-effekt	W	701	701	701	710
Hastighet ubelastet	min <sup>-1</sup>	10.000	10.000	10.000	10.000
Skivediameter	mm	115	115	100	115
Hullstørrelse	mm	22	22	16	22
Maks. skivetykkelse					
slipeskiver	mm	6	6	6	6
kappeskiver	mm	3,5	3,5	3,5	3,5
Spindelstørrelse		M14	M14	M10	M14
Vekt	kg	2,1	2,1	2,1	2,1

### Samsvarserklæring for EU

AST6/CD105/CD110/CD115

Black & Decker erklærer at disse produktene overholder: 98/37/EØF, 89/336/EØF, EN 50144, EN 55014, EN 61000

L<sub>PA</sub> (lydtrykk) 89,9 dB(A), L<sub>WA</sub> (akustisk effekt) 102,9 dB(A), hånd/arm-vektet vibrasjon < 2,5 m/s<sup>2</sup>



Kevin Hewitt  
Adm. dir. for forbrukerteknikk  
Spennymoor, County Durham DL16 6JG,  
Storbritannia  
1-5-2005

Oversikt over våre autoriserte serviceverksteder finnes på Internett, vår hjemmeside [www.blackanddecker.no](http://www.blackanddecker.no) samt [www.2helpU.com](http://www.2helpU.com)

### Garanti

Black & Decker garanterer at produktet ikke har material- og/eller fabrikkasjonsfeil ved levering til kunde. Garantien er i tillegg til kundens lovlige rettigheter og påvirker ikke disse. Garantien gjelder innen medlemsstatene i den Europeiske Unionen og i det Europeiske Frihandelsområdet.

Hvis et Black & Decker produkt går i stykker på grunn av material- og/eller fabrikkasjonsfeil eller har mangler i forhold til spesifikasjonene, innen 24 måneder fra kjøpet, påtar Black & Decker seg å reparere eller bytte ut produktet med minst mulig vanskelighet for kunden.

Garantien gjelder ikke for feil som kommer av:

- ◆ normal slitasje
- ◆ feilaktig bruk eller vedlikehold (mislighold)
- ◆ at produktet har blitt skadet av fremmede gjenstander, emner eller ved et uhell

Det gjøres oppmerksom på at produktet ikke er beregnet på industriell/profesjonell/yrkesmessig bruk, men til hus- og hjemmebruk.

Garantien gjelder ikke om reparasjoner har blitt utført av noen andre enn et autorisert Black & Decker serviceverksted.

For å ta garantien i bruk skal produktet og kjøpekvittring leveres til forhandleren eller til et autorisert serviceverksted senest 2 måneder etter at feilen har blitt oppdaget.

For informasjon om nærmeste autoriserte serviceverksted; kontakt det lokale Black & Decker kontoret på den adressen som er angitt i bruksanvisningen. En oversikt over alle autoriserte serviceverksteder samt servicevilkår finnes også tilgjengelig på Internett, adresse: [www.2helpU.com](http://www.2helpU.com)

Vennligst stikk innom våre nettsider på [www.blackanddecker.no](http://www.blackanddecker.no) for å registrere ditt nye Black & Decker-produkt og for å holde deg oppdatert om nye produkter og spesialtilbud. Du finner mer informasjon om Black & Decker og produktutvalget vårt på [www.blackanddecker.no](http://www.blackanddecker.no)

### Reservdeler / reparasjoner

Reservdeler kan kjøpes hos autoriserte Black & Decker serviceverksteder, som også gir kostnadsoverslag og reparerer våre produkter.

## Anvendelsesområde

Din Black & Decker vinkelsliber er konstrueret til at skære metal og murværk ved hjælp af passende typer skære- eller slibeskiver. Værktøjet er kun beregnet til privat brug.

## Sikkerhedsinstruktioner

- ◆ **Advarsel!** Ved brug af elværktøj skal de grundlæggende sikkerhedsforanstaltninger altid følges, således at risikoen for brand, elektrisk stød, person- og materialeskader mindskes.
- ◆ Læs denne brugsanvisning igennem, inden værktøjet tages i brug.
- ◆ Opbevar brugsanvisningen let tilgængeligt.
- ◆ Tag altid stikket ud af kontakten, før der foretages justering, service eller vedligeholdelse.

### Hold arbejdsområdet i orden

Risikoen for uheld er mindre hvis man holder orden omkring arbejdsområdet.

### Tænk på arbejdsmiljøets indflydelse

Udsæt ikke værktøjet for regn. Anvend ikke værktøjet på fugtige eller våde pladser. Sørg for en god belysning over arbejdsområdet. Anvend ikke værktøjet hvor der eksisterer risiko for at brand kan opstå eller eksplosioner forekomme, som følge af brug af værktøjet. F. eks. aldrig i nærheden af let antændelige væsker eller gasser.

### Hold børnene på afstand

Børn, besøgende eller dyr må ikke nærme sig arbejdsområdet eller røre ved værktøjet eller netkablet.

### Klæd dig rigtigt på

Bær ikke løst hængende tøj eller smykker. De kan sidde fast i bevægelige dele. Gummihandsker og skridsikre sko anbefales ved udendørs arbejde. Brug hånet, hvis du har langt hår.

### Personlig beskyttelse

Brug beskyttelsesbriller. Brug ansigts- eller støvmaske, når brug af værktøjet kan medføre støv eller flyvende partikler. Der bør bruges høreværn.

### Beskyttelse mod elektrisk stød

Undgå kropskontakt med jodede emner (f.eks. rør, radiatorer, komfurer og køleskabe). Den elektriske sikkerhed kan forbedres yderligere ved brug af en højfølsom (30 mA / 30 mS) fejlstrømsafbryder (RCD).

### Stræk dig ikke for meget

Sørg for, at du altid har sikkert fodfæste og balance.

### Vær opmærksom

Se på det, du gør. Brug din sunde fornuft. Brug ikke værktøjet, når du er trætt.

### Sæt arbejdsemnet fast

Brug skruetvinger eller skruestik til at spænde arbejdsemnet fast. Det er sikrere end at bruge hånden, og du får begge hænder fri til arbejdet.

## Tilslut støvudsugningsudstyret

Hvis der findes enheder til tilslutningsfunktionerne støvudsugning og støvopsamling, skal man sørge for, at disse tilsluttes og bruges korrekt. OBS! Tilslut kun grovstøvsuger.

### Fjern nøglerne

Kontrollér at nøgler og justerværktøj er fjernet fra værktøjet, inden det startes.

### Forlængerledningen

Før brugen skal forlængerledningen efterses og udskiftes, hvis det er skadet. Ved brug af værktøjet udendørs må man kun benytte forlængerledninger, der er beregnet til udendørs brug. Der kan bruges op til 30 m forlængerledning uden at styrken forringes.

### Brug det rigtige værktøj

Brugen af værktøjet er beskrevet i denne brugsanvisning. Tving ikke elværktøj til at udføre arbejde, som er beregnet til kraftigere værktøj. Brug kun tilbehør og dele, der er anbefalet i brugsanvisningen og katalogerne. Værktøjet må ikke forceres. Brug ikke værktøjet til formål, som det ikke er beregnet til. Brug for eksempel ikke rundsave til at save trægrene eller brænde med.

**Advarsel!** Anvendelsen af andet tilbehør eller udførelse af opgaver med andet værktøj end det her anbefalede kan medføre risiko for personskader.

### Kontrollér værktøjet for skader

Kontrollér omhyggeligt værktøjet og ledningen for beskadigelser, før det tages i brug. Check de bevægelige dele for skæv indstilling og sammenbrændinger, kontrollér for brud på dele, skader på skærme og kontakter samt alt andet, der kan påvirke værktøjets funktion. Kontrollér, at værktøjet fungerer rigtigt og kan udføre det arbejde, det er beregnet til. Værktøjet må ikke benyttes, hvis en af delene er beskadiget eller defekt. Brug ikke værktøjet, hvis det ikke kan tændes og slukkes ved afbryderen. Skadede eller defekte dele skal repareres eller udskiftes af en autoriseret tekniker. Man må aldrig forsøge selv at reparere værktøjet.

### Afbryd værktøjet

Afbryd værktøjet når det er ude af brug og før udskiftning af enhver værktøjsdel, tilbehør eller andet udstyr.

### Undgå utilsigtet start af værktøjet

Bær ikke værktøjet med en finger på tænd/sluk knappen. Sørg for, at værktøjet er slukket, når ledningen tilsluttes strømmen.

### Vær forsigtig med ledningen

Man må aldrig bære værktøjet i ledningen eller tage det ud af stikkontakten ved at rive i ledningen. Ledningen skal holdes på afstand af varme, olie og skarpe kanter.

### Opbevar værktøjet sikkert, når det ikke bruges

Når værktøjet ikke er i brug, skal det opbevares på et tørt sted, aflåst eller anbragt højt udenfor børns rækkevidde.

### Vedligehold værktøjet omhyggeligt

Skærende værktøjer skal holdes skarpe og rene, for på denne måde at opnå et bedre og mere sikkert brug.

Følg vedligeholdelsesvejledningen samt vejledningen til udskiftning af tilbehør. Hold håndtag og knapper tørre, rene og fri for olie og fedt.

### Reparationer

Dette værktøj opfylder de relevante sikkerhedskrav. Reparationer må kun foretages af dertil kvalificerede personer, som bruger originale reservedele. I modsat fald kan der opstå betydelig fare for brugeren.

### Elektrisk sikkerhed



Værktøjet er dobbelt isoleret; derfor er jordledning ikke nødvendig. Kontrollér altid, at strømforsyningen svarer til spændingen på typeskiltet.

### Yderligere sikkerhedsanvisninger for vinkelslibere



Læs brugsanvisningen, før du tager værktøjet i brug.



Det anbefales at bære sikkerhedsbriller, når man arbejder med dette værktøj.



Man skal benytte høreværn, når man arbejder med dette værktøj.

- ◆ Brug altid beskyttelsesbriller og høreværn, når du arbejder med dette værktøj.
- ◆ Der bør benyttes personligt beskyttelsesudstyr som f.eks. støvmaske, handsker, hjelm og forklæde.
- ◆ Undgå at skære eller slibe letmetal, der indeholder mere end 80% magnesium, da denne slags metal er brandfarlig.
- ◆ Benyt kun slibe- og skæreskiver og andet tilbehør, der anbefales i denne manual.
- ◆ Sørg for, at slibeskivens og skæreskivens maksimumhastighed er højere end det ubelastede værktøjs højeste tilladte hastighed.
- ◆ Brug ikke slibe- og skæreskiver, der ikke overholder de dimensioner, som er angivet i tekniske specifikationer. Brug ikke separate reduktionsbøsninger eller adaptere, og foretag ikke uautoriserede ændringer for at tilpasse slibeskiver med stort hul.
- ◆ Skær ikke i arbejdsemner, der kræver en maksimal skæredybde, som overskrider skæreskivens skæredybde.
- ◆ Brug ikke skæreskiver til sideslibning.
- ◆ Undersøg slibe- og skæreskiverne før hver anvendelse. Brug ikke hølvede, knækkede eller på anden måde defekte diske.
- ◆ Sørg for, at monterede hjul og punkter installeres i overensstemmelse med fabrikantens instruktioner.
- ◆ Sørg for, at slibeproduktet er korrekt monteret og spændt før brug, og køр værktøjet uden belastning i 30 sekunder i en sikker position.

Stands øjeblikkeligt værktøjet, hvis der forekommer betydelige vibrationer, eller hvis der registreres andre fejl. Hvis denne situation opstår, checkes maskinen for at bestemme årsagen.

- ◆ Hvis der følger en aftrækker med den bundne slibeskive, og hvis den er nødvendig, skal den bruges.
- ◆ Ved anvendelse af en disk med gevindskåret hul skal det sikres, at gevindet er langt nok til, at det accepterer spindellængden.
- ◆ Benyt aldrig værktøjet uden beskyttelsesskærmen.
- ◆ Kontrollér, at arbejdsemnet er ordentligt understøttet.
- ◆ Der må aldrig udøves sidepres på slibe- eller skæreskiven.
- ◆ Sørg for, at gnister fra brugen af værktøjet ikke er til skade, f.eks. at de ikke rammer andre mennesker eller sætter ild til brændbare emner
- ◆ Vær opmærksom på, at skiven stadig drejer rundt et stykke tid, efter at der er slukket for værktøjet.
- ◆ Sørg for, at ventilationshullerne holdes rene, hvis du arbejder i støvede omgivelser. Hvis det skulle blive nødvendigt at fjerne støv fra maskinen, skal du huske at afbryde den ved stikkontakten. Undgå at skade de indvendige dele. Brug en blød børste eller en tør klud, og brug ikke metalobjekter.
- ◆ Slibeskiver skal opbevares og håndteres med omhu i overensstemmelse med producentens instruktioner, og slibe- og skæreskiver skal altid opbevares tørt.

### Funktioner

Dette værktøj har nogle af eller alle følgende funktioner:

1. Afbryder
2. Sidehåndtag
3. Spindellås
4. Beskyttelsesskærm

### Montering

**Advarsel!** Før montering skal man sikre sig, at værktøjet er slukket og taget ud af stikkontakten.

### Isætning og fjernelse af beskyttelsesskærmen (fig. A & B)

#### Montering

- ◆ Placer værktøjet på et bord med spindelen (5) opad.
- ◆ Placer fjederskiven (6) over spindelen og anbring den på skulderen (7).
- ◆ Anbring beskyttelsesskærmen (4) på værktøjet som vist.
- ◆ Placer flangen (8) over spindelen med de fremstående nør vendt mod beskyttelsesskærmen. Sørg for, at hullerne i flangen flugter med skruerhullerne.
- ◆ Fastgør flangen med skruerne (9). Sørg for, at skruerne er strammet helt, og at beskyttelsesskærmen kan drejes.

## Demontering

- ◆ Benyt en skruetrækker til at fjerne skrueerne (9) med.
- ◆ Fjern flangen (8), beskyttelsesskærmen (4) og fjederskiven (7). Opbevar disse dele omhyggeligt.

**Advarsel!** Benyt aldrig værktøjet uden beskyttelsesskærmen.

## Montering af sidehåndtaget

- ◆ Skru sidehåndtaget (2) ind i et af monteringshullerne i værktøjet.

**Advarsel!** Benyt altid sidehåndtaget.

## Montering og demontering af slibe- eller skæreskiver (fig. C - E)

Man skal altid benytte skiver af korrekt type til anvendelsen. Benyt altid skiver med korrekt diameter og hulstørrelse (se tekniske specifikationer).

## Montering

- ◆ Monter beskyttelsesskærmen som beskrevet ovenfor.
- ◆ Placer den indre flange (10) på spindelen (5) som vist (fig. C). Sørg for, at flangen er korrekt placeret på den flade side af spindelen.
- ◆ Placer skiven (11) på spindelen (5) som vist (fig. C). Hvis skiven har en løftet midterdel (12), skal man sørge for, at denne vender mod den indre flange.
- ◆ Sørg for, at skiven er korrekt placeret på den indre flange.
- ◆ Sæt den ydre flange (13) på spindelen. Ved montering af en slibeskive skal den løftede midterdel af den ydre flange vende mod skiven (A i fig. D). Ved montering af en skæreskive skal den løftede midterdel af den ydre flange vende væk fra skiven (B i fig. D).
- ◆ Hold spindellåsen (3) trykket ind, og stram den ydre flange ved hjælp af skrueøglen med to tappe (14) (fig. E).

## Demontering

- ◆ Hold spindellåsen (3) trykket ind, og løs den ydre flange (13) ved hjælp af skrueøglen med to tappe (14) (fig. E).
- ◆ Fjern den ydre flange (13) og skiven (11).

## Montering og demontering af sliberondeller (fig. E & F)

En støtterondel er nødvendig ved slibning. Støtterondellen fås hos Black & Decker-forhandleren som tilbehør.

## Montering

- ◆ Placer den indre flange (10) på spindelen (5) som vist (fig. F). Sørg for, at flangen er korrekt placeret på den flade side af spindelen.
- ◆ Placer støtterondellen (15) på spindelen.
- ◆ Placer sliberondellen (16) på støtterondellen.

- ◆ Placer den ydre flange (13) på spindelen med den løftede midterdel vendt væk fra rondellen.
- ◆ Hold spindellåsen (3) trykket ind, og stram den ydre flange ved hjælp af skrueøglen med to tappe (14) (fig. E). Sørg for, at den ydre flange er monteret korrekt, og at rondellen er klemt godt fast.

## Demontering

- ◆ Hold spindellåsen (3) trykket ind, og løs den ydre flange (13) ved hjælp af skrueøglen med to tappe (14) (fig. E).
- ◆ Fjern den ydre flange (13), sliberondellen (16) og støtterondellen (15).

## Anvendelse

**Advarsel!** Lad værktøjet arbejde i dets eget tempo. Det må ikke overbelastes.

- ◆ Arbejd forsigtigt med kablet for at undgå at komme til at klippe det over.
- ◆ Vær forberedt på en strøm af gnister, hvis slibe- eller skæreskiven rører arbejdsområdet.
- ◆ Placer altid værktøjet på en sådan måde, at beskyttelsesskærmen yder optimal beskyttelse mod slibe- eller skæreskiven.

## Start og stop

- ◆ Tænd værktøjet ved at skyde afbryderen (1) fremad. Bemærk at maskinen fortsætter med at køre, når du slipper kontakten.
- ◆ Sluk værktøjet ved at trykke på den bageste del af afbryderen.

**Advarsel!** Sluk ikke for værktøjet, mens det kører med belastning.

## Gode råd til optimalt brug

- ◆ Hold godt fat i værktøjet med den ene hånd om sidehåndtaget og den anden om hovedhåndtaget.
- ◆ Ved slibning skal man altid holde en vinkel på ca. 15° mellem skiven og arbejdsområdets overflade.

## Vedligeholdelse

Værktøjet er beregnet til at kunne bruges gennem en længere periode med minimal vedligeholdelse. Forsat tilfredsstillende anvendelse afhænger af, at værktøjet behandles korrekt og gøres rent med regelmæssige mellemrum.

**Advarsel!** Før udførelse af vedligeholdelsesarbejde skal værktøjet slukkes og tages ud af stikkontakten.

- ◆ Gør med regelmæssige mellemrum værktøjets ventilationshuller rene med en blød børste eller en tør klud.



- ◆ Rens med jævne mellemrum motorhuset med en fugtig klud. Der må ikke bruges skuremidler eller opløsningsmidler.

## Beskyttelse af miljøet



Separat indsamling. Dette produkt må ikke bortskaffes sammen med almindeligt husholdningsaffald.

Hvis du en dag skal udskifte dit Black & Decker produkt, eller hvis du ikke skal bruge det længere, må du ikke bortskaffe det sammen med husholdningsaffald. Dette produkt skal være tilgængeligt for separat indsamling.



Separat indsamling af brugte produkter og emballage gør det muligt at genbruge materialer. Genbrugte materialer forebygger miljøforurening og nedbringer behovet for råstoffer.

Lokale regler kan give mulighed for separat indsamling af elektriske husholdningsprodukter på kommunale lossepladser eller hos den forhandler, som du købte produktet af.

Black & Decker har en facilitet til indsamling og genbrug af Black & Decker-produkter, når deres levetid er slut. Få fordelene ved denne service ved at returnere produktet til en autoriseret tekniker, der samler værktøj sammen på vores vegne.

Du kan få oplyst den nærmeste autoriserede tekniker ved at kontakte det lokale Black & Decker-kontor på den adresse, der er angivet i denne brugsanvisning. Alternativt findes der en liste over autoriserede Black & Decker-teknikere og oplysninger om vores eftersalgsservice og kontaktpersoner på Internettet på adressen: [www.2helpU.com](http://www.2helpU.com)

## Tekniske data

		AST6	CD105	CD110	CD115
Spænding	VAC	230	230	230	230
Motoreffekt	W	701	701	701	710
Ubelastet hastighed	min <sup>-1</sup>	10.000	10.000	10.000	10.000
Skivediameter	mm	115	115	100	115
Skivens hul	mm	22	22	16	22
Maksimal skivetykkelse					
slibeskiver	mm	6	6	6	6
skæreskiver	mm	3,5	3,5	3,5	3,5
Spindelstørrelse		M14	M14	M10	M14
Vægt	kg	2,1	2,1	2,1	2,1

## EU overensstemmelseserklæring

AST6/CD105/CD110/CD115

Black & Decker erklærer, at disse produkter er i overensstemmelse med følgende:

98/37/EØF, 89/336/EØF, EN 50144, EN 55014, EN 61000

$L_{pA}$  (lydtryk) 89,9 dB(A),  $L_{WA}$  (lydintensitet) 102,9 dB(A),  
hånd/arm vægget vibration < 2,5 m/s<sup>2</sup>

Kevin Hewitt

Director of Consumer Engineering  
Spennymoor, County Durham DL16 6JG,  
Storbritannien  
1-5-2005

## Reserve dele / reparationer

Reserve dele kan købes hos autoriserede Black & Decker serviceværksteder, som giver forslag til omkostninger og reparerer vore produkter. Oversigt over vore autoriserede værksteder findes på internettet på vor hjemmeside [www.blackanddecker.dk](http://www.blackanddecker.dk) samt [www.2helpU.com](http://www.2helpU.com)

## Garanti

Black & Decker garanterer, at produktet er fri for materielle skader og/eller fabrikationsfejl ved levering til kunden. Garantien er et tillæg til konsumentens lovlige rettigheder og påvirker ikke disse. Garantien gælder indenfor medlemsstaterne af den Europæiske Union og i det Europæiske Frihandelsområde.

Hvis et Black & Decker produkt går i stykker på grund af materiel skade og/eller fabrikationsfejl eller på anden måde ikke fungerer i overensstemmelse med specifikationen, inden for 24 måneder fra købsdatoen, påtager Black & Decker sig at reparere eller ombytte produktet med mindst muligt besvær for kunden.

Garantien gælder ikke for fejl og mangler, der er sket i forbindelse med:

- ◆ normal slitage
- ◆ uheldige følger efter unormal anvendelse af værktøjet
- ◆ overbelastning, hærværk eller overdrevent intensivt brug af værktøjet
- ◆ ulykkehændelse

Garantien gælder ikke hvis reparationer er udført af nogen anden end et autoriseret Black & Decker værksted.

## DANSK

For at udnytte garantien skal produktet og købskvitteringen indleveres til forhandleren eller til et autoriseret værksted, senest 2 måneder efter at fejlen opdages. For information om nærmeste autoriserede værksted: kontakt det lokale Black & Decker kontor på den adresse som er opgivet i brugsanvisningen. Liste over alle autoriserede Black & Decker serviceværksteder samt servicevilkår er tilgængelig på internettet, på adressen **[www.2helpU.com](http://www.2helpU.com)**

Gå venligst ind på vores website **[www.blackanddecker.dk](http://www.blackanddecker.dk)** for at registrere dit nye produkt og for at blive holdt ajour om nye produkter og specialtilbud. Der findes yderligere oplysninger om mærket Black & Decker og vores produktsortiment på adressen **[www.blackanddecker.dk](http://www.blackanddecker.dk)**

## Käyttötarkoitus

Black & Deckerin kulmahiomakone on tarkoitettu metallin ja kiven leikkaamiseen käyttäen sopivaa katkaisu- tai hiomalaikkaa. Kone on tarkoitettu kotikäyttöön.

## Turvallisuusohjeet

- ◆ **Varoitus!** Sähkötyökaluja käytettäessä on aina noudatettava mm. seuraavia turvallisuusohjeita, jotta tulipalojen, sähköiskujen, henkilövahinkojen ja materiaaliavurioiden riski olisi mahdollisimman pieni.
- ◆ Säilytä käyttöohje kaikkien koneen käyttäjien olottuvilla.
- ◆ Irrota pistoke virtalähteestä ennen kuin säädät, puhdistat tai huollat konetta.

### Pidä työskentelyalue siistinä

Poista roskat ja mahdolliset esteet työskentelyalueelta välttyksesi vaurioilta.

### Ajattelle työskentelyalueen vaikutusta työhösi

Älä altista sähkötyökaluja sateelle äläkä käytä niitä kosteissa tai märissä paikoissa. Järjestä työskentelyalueelle hyvä valaistus. Älä käytä konetta paikassa, jossa on tulipalo- tai räjähdysvaara, esim. palavien nesteiden tai kaasujen läheisyydessä.

### Työskentele lasten ulottumattomissa

Älä anna lasten, vieraiden tai eläinten tulla lähelle työskentelyaluetta tai koskea koneeseen tai sähköjohtoon.

### Pukeudu asianmukaisesti

Älä käytä liian väljiä vaatteita tai koruja. Ne voivat tarttua liikkuviin osiin. Käytä ulkona työskennellessäsi kumihansikkaita ja liukumattomia kenkiä. Jos sinulla on pitkäät hiukset, käytä hiusverkkoa.

### Suojavaatetus

Käytä suojalaseja. Käytä kasvosuojaa, jos työskennellessä syntyy pölyä tai hiukkasia. Käytä kuulosuojaimia.

### Suojaudu sähköiskuilta

Vältä kosketusta maadoitettuihin pintoihin (esim. putket, lämpöpatterit, liedet ja jääkaapit). Sähköistä turvallisuutta voidaan parantaa käyttämällä erittäin herkkää (30 mA / 30 mS) vikavirtasuojaa.

### Älä kurottele

Seiso aina tukevasti ja tasapainossa.

### Ole tarkkaavainen

Keskity työhösi. Käytä tervettä järkeä. Älä käytä sähkötyökalua, kun olet väsynyt.

### Kiinnitä työstökappale kunnolla

Käytä ruuvipuristinta tai -kappaletta, jotta työstökappale pysyy kunnolla kiinni. Näin saat molemmat kädet vapaaksi työhön.

### Liitä pölynpoistolaitte

Jos koneessa on liitäntä pölynpoisto- ja pölynkeräyslaitteistolle tulee sellainen kiinnittää ja käyttää oikein. HUOM! Liitä koneeseen ainoastaan teollisuuspölynimuri.

## Poista avaimet

Poista säätöavaimet ja asennustyökalut koneesta ennen kuin käynnistät sen.

## Jatkojohdot

Tarkista jatkojohto ennen käyttöä, ja vaihda vaurioitunut johto uuteen. Käytettäessä konetta ulkona tulee käyttää vain ulkokäyttöön soveltuvia jatkojohtoja. Jopa 30 m:n pituista jatkojohtoa voidaan käyttää tehon vähenemättä.

## Käytä oikeaa konetta

Älä käytä konetta muihin töihin, kuin mihin se on tarkoitettu. Älä käytä pientä konetta työssä, joka vaatii tehokkaamman työkalun. Älä ylikuormita konetta. Käytä konetta ainoastaan sellaiseen työhön, johon se on tarkoitettu. Esim. älä sahaa pyörösaahalla oksia tai polttopuita.

**Varoitus!** Käytä konetta ainoastaan sellaiseen työhön, johon se on tarkoitettu, ja käytä vain käyttöohjeessa ja tuotekuvastossa suositeltuja tarvikkeita ja lisälaitteita.

Ohjeesta poikkeava käyttö voi aiheuttaa onnettomuuden.

## Tarkista, että kone on kunnossa

Tarkista ennen käyttöä, ettei kone tai sähköjohto ole vaurioitunut. Tarkista, etteivät liikkuvat ja muut osat sekä suoja ole viallisia, ja että kaikki muut käyttöön mahdollisesti vaikuttavat tekijät ovat kunnossa. Varmista, että kone toimii oikein ja täyttää tehtävänsä. Älä käytä konetta, jos jokin sen osista on viallinen tai se ei käynnisty ja pysähdy virrankatkaisijasta. Viallinen osa tulee korjata tai vaihtaa valtuutetussa Black & Deckerin huoltoliikkeessä. Älä koskaan yritä korjata konetta itse.

## Irrota kone virtalähteestä

Irrota kone virtalähteestä, kun konetta ei käytetä, ennen minkään koneen osan, tarvikkeen tai lisävarusteen vaihtamista, sekä ennen huoltoa.

## Vältä tahatonta käynnistämistä

Älä koskaan kanno konetta sormet kiinni virrankatkaisijassa. Varmista, että kone on pois päältä, ennen kuin kytket sen virtalähteeseen.

## Huolehdi johdon kunnosta

Älä koskaan kanno konetta johdosta äläkä irrota pistoketta virtalähteestä vetämällä johdosta. Suojaa johto kuumuudelta, öljyltä ja teräviltä reunoilta.

## Säilytä konetta oikein

Kun konetta ei käytetä, säilytä sitä kuivassa, lukitussa paikassa tai korkealla lasten ulottumattomissa.

## Hoida työkalua huolellisesti

Pidä työkalu puhtaana ja käytä teräviä teriä tehokasta ja turvallista työskentelyä varten. Noudata huollosta ja tarvikkeiden vaihdosta annettuja ohjeita. Pidä virrankatkaisija ja kädensijat kuivina ja puhtaina öljyistä ja rasvasta.

## Korjaukset

Tämä kone täyttää voimassa olevat turvallisuusvaatimukset. Korjauksia saa tehdä vain Black & Deckerin valtuuttama huoltoliike, joka käyttää alkuperäisosa.

Muussa tapauksessa käyttäjä saattaa joutua vaaratilanteeseen.

## Sähköinen turvallisuus



Tämä kone on kaksoiseristetty; siksi ei tarvita erillistä maadoitusta. Tarkista aina, että virtalähde vastaa arvokilvessä ilmoitettua jännitettä.

## Kulmahiomakoneiden lisäturvaohjeet



Lue käyttöohje huolellisesti ennen käyttöä.



Käytä suojalaseja konetta käyttäessäsi.



Käytä kuulosuojaimia konetta käyttäessäsi.

- ◆ Käytä aina suojalaseja ja kuulosuojaimia konetta käyttäessäsi.
- ◆ Henkilösuojavarusteita, kuten kasvosuojusta, käsineitä, kypärää ja esiliinaa tulee käyttää.
- ◆ Älä leikkaa tai hio yli kevytmetallia, jonka magnesiumpitoisuus ylittää 80%, koska tämän tyyppinen metalli on tulenarkaa.
- ◆ Käytä vain tässä käyttöohjeessa suositeltuja hioma- ja katkaisulaikkoja.
- ◆ Varmistu siitä, että hioma- tai katkaisulaikan suurin mahdollinen nopeus ylittää koneen kuormittamattoman nopeuden.
- ◆ Älä käytä hioma- ja katkaisulaikkoja, jotka eivät vastaa teknisissä tiedoissa ilmoitettuja mittoja. Älä irrota supistusholkkeja tai liitoskappaleita, äläkä tee luvattomia muutoksia soveltaaksesi suuria hiomalaikkoja.
- ◆ Älä leikkaa työstökappaleita, jotka vaativat suurempaa leikkauksyvyyttä kuin katkaisulaikalla on.
- ◆ Älä käytä katkaisulaikkoja sivuhiontaan.
- ◆ Tarkista hioma- ja katkaisulaikat ennen jokaista käyttökertaa. Älä käytä kolhiintuneita, murtuneita tai muutoin vioittuneita laikkoja.
- ◆ Varmista, että asennetut pyörät ja kärjet on asennettu valmistajan antamien ohjeiden mukaan.
- ◆ Varmista, että hiova tuote on asennettu ja kiristetty oikein ennen käyttöä, ja käytä työkalua kuormittamattomana 30 sekunnin ajan turvallisessa paikassa. Pysäytä välittömästi, jos huomattavaa tärinää ilmenee tai muita vikoja havaitaan. Jos vikoja ilmenee, tarkista kone ja määritä vian syy.
- ◆ Varmista, että välilevyjä käytetään, kun sellaisia sisältyy sidosteisiin hiomavälineisiin, ja kun sellaisia tarvitaan.

- ◆ Kun kierreerikäistä laikkaa käytetään, varmista, että kierre on riittävän pitkä karalle.
- ◆ Älä koskaan käytä konetta, jos suoja ei ole paikallaan.
- ◆ Tarkista, että työstökappale on tuettu kunnolla.
- ◆ Älä kohdista hioma- tai katkaisulaikkaan sivuttaista painetta.
- ◆ Varmista, etteivät käytöstä muodostuvat kipinät aiheuta vaaraa, esimerkiksi osu ihmisiin tai sytytä tulenarkoja aineita.
- ◆ Huomaa, että laikka pyörii vielä hetken koneen sammuttamisen jälkeen.
- ◆ Varmista, että ilma-aukot pidetään avoimina pölyisissä olosuhteissa työskennellessä. Jos pölyä täytyy poistaa, irrota koneen virtajohto pistorasiasta. Vältä sisäisten osien vaurioituminen käyttämällä pehmeää harjaa tai kuivaa kangasta. Älä käytä metalliesineitä.
- ◆ Hiomalaikkoja on säilytettävä ja käsiteltävä huolellisesti valmistajan ohjeiden mukaisesti. Säilytä hioma- ja katkaisulaikat aina kuivassa paikassa.

## Yleiskuvasu

Tällä koneella on kaikki tai joitakin seuraavista ominaisuuksista.

1. Virrankatkaisija
2. Sivukahva
3. Karalukko
4. Suoja

## Kokoaminen

**Varoitus!** Ennen kokoamista varmista, että kone on pois päältä eikä sitä ole liitetty virtalähteeseen.

## Suojuksen kiinnittäminen ja poistaminen (kuva A & B)

### Kiinnitys

- ◆ Aseta kone pöydälle siten, että kara (5) osoittaa ylöspäin.
- ◆ Aseta jousivoimainen aluslevy (6) karan päälle ja asemoi se olakkeeseen (7).
- ◆ Aseta suoja (4) työkaluun kuvan osoittamalla tavalla.
- ◆ Aseta laippa (8) karan päälle siten, että ulostulevat pisteet ovat suojusta kohden. Varmista, että laipassa olevat reiät kohdistuvat ruuvireikiin kanssa.
- ◆ Kiinnitä laippa ruuveilla (9). Varmista, että ruuvit on täysin kiristetty ja, että suojusta voidaan pyörittää.

### Irrotus

- ◆ Poista ruuvit (9) käyttämällä ruuvitalttaa.
- ◆ Irrota laippa (8), suojus (4) ja jousivoimainen aluslevy (7). Säilytä nämä osat huolellisesti.

**Varoitus!** Älä koskaan käytä konetta, jos suoja ei ole paikallaan.

## Sivukahvan kiinnittäminen

- ◆ Ruuvaa sivukahva (2) johonkin työkalun asennusreikään.

**Varoitus!** Käytä sivukahvaa aina.

## Hioma- tai katkaisulaikkojen kiinnitys ja poisto (kuva C - E)

Käytä aina oikean tyyppistä laikkaa. Käytä aina laikkoja, joiden halkaisija ja sisäläpimita ovat oikeat (katso teknisiä tietoja).

### Kiinnitys

- ◆ Kiinnitä suoja yllä kuvatulla tavalla.
- ◆ Pane sisempi laippa (10) karaan (5) kuvan C osoittamalla tavalla. Varmista, että laippa on oikealla paikalla karan litteällä puolella.
- ◆ Pane laikka (11) karaan (5) kuvan C osoittamalla tavalla. Jos laikassa on kohotettu keskusta (12), varmista, että se osoittaa sisempää laippaa kohti.
- ◆ Varmista, että laikka asettuu paikalleen sisemmän laipan päälle.
- ◆ Pane ulompi laippa (13) karaan. Kun kiinnität hiomalaikkaa, ulomman laipan kohotetun keskustan pitää osoittaa laikkaan päin (A kuvassa D). Kun kiinnität katkaisulaikkaa, ulomman laipan kohotetun keskustan pitää osoittaa pois päin laikasta (B kuvassa D).
- ◆ Pidä karalukko (3) painettuna alas ja kiristä ulompi laippa haarukka-avaimella (14) (kuva E).

### Irrotus

- ◆ Pidä karalukko (3) painettuna alas ja löysää ulompaa laippaa (13) haarukka-avaimella (14) (kuva E).
- ◆ Poista ulompi laippa (13) ja laikka (11).

## Smirgelilaikan kiinnitys ja poisto (kuva E & F)

Hiomiseen tarvitaan tukilaippaa. Tukilaippoja on saatavana Black & Decker -kauppiailta.

### Kiinnitys

- ◆ Pane sisempi laippa (10) karaan (5) kuvan F osoittamalla tavalla. Varmista, että laippa on oikealla paikalla karan litteällä puolella.
- ◆ Pane tukilaippa (15) karaan.
- ◆ Kiinnitä smirgelilaikka (16) tukilaippaan.
- ◆ Pane ulompi laippa (13) karaan siten, että sen kohotettu keskusta osoittaa pois päin laikasta.
- ◆ Pidä karalukko (3) painettuna alas ja kiristä ulompi laippa haarukka-avaimella (14) (kuva E). Varmista, että ulokilaippa on asennettu oikein ja että laikka on kiinnitetty tiukasti.

### Irrotus

- ◆ Pidä karalukko (3) painettuna alas ja löysää ulompaa laippaa (13) haarukka-avaimella (14) (kuva E).

- ◆ Poista ulompi laippa (13), smirgelilaikka (16) ja tukilaippa (15).

## Käyttö

**Varoitus!** Anna koneen käydä omaan tahtiinsa.

Älä ylikuormita sitä.

- ◆ Käsittele johtoa huolellisesti, jottet vaurioita sitä vahingossa.
- ◆ Varaudu kipinäsuihkuun hioma- tai katkaisulaikan osuessa työstettävään kappaleeseen.
- ◆ Aseta kone aina sillä tavalla, että sen suoja tarjoaa parhaan suojan hioma- tai katkaisulaikoilta.

## Käynnistys ja pysäytys

- ◆ Käynnistä kone painamalla virrankatkaisinta (1) eteenpäin. Muista, että työkalu jatkaa pyörimistä vielä kytkimen vapauttamisen jälkeenkin.
- ◆ Sammuta kone painamalla virrankatkaisimen takaosaa.

**Varoitus!** Älä pysäytä konetta, jos se on kuormitettuna.

## Vinkejä parhaimman tuloksen saamiseksi

- ◆ Pidä toisella kädellä tukevasti kiinni sivukahvasta ja toisella pääkahvasta.
- ◆ Kun hiot, huolehdi siitä, että laikan ja työstettävän kappaleen pinnan välinen kulma aina noin 15°.

## Huolto

Laite on suunniteltu toimimaan mahdollisimman pitkän aikaa mahdollisimman vähällä huollolla. Kun laitetta huolletaan oikein ja puhdistetaan säännöllisesti, se säilyttää suorituskykynsä.

**Varoitus!** Ennen huoltoa ja puhdistusta tulee koneen olla pois päältä ja irti virtalähteestä.

- ◆ Puhdista työkalun ilma-aukot säännöllisesti pehmeällä harjalla tai kuivalla rievulla.
- ◆ Puhdista työkalun kuori säännöllisesti kostealla siivousliinalla. Älä koskaan käytä puhdistamiseen liuotinaiteita tai syövyttäviä puhdistusaineita.

## Ympäristö



Erillinen keräys. Tätä tuotetta ei saa hävittää normaalin kotitalousjätteen kanssa.

Kun Black & Decker -koneesi on käytetty loppuun, älä hävitä sitä kotitalousjätteen mukana. Tämä tuote on kerätävä erikseen.



Käytettyjen tuotteiden ja pakkausten erillinen keräys mahdollistaa materiaalien kierrätyksen ja uudelleenkäytön. Kierrätettyjen materiaalien uudelleenkäyttö auttaa ehkäisemään ympäristön saastumisen ja vähentää raaka-aineiden kysyntää.

Paikallisten säännösten mukaisesti on mahdollista viedä kotiloukoksien sähkölaitteet kuntien kaatopaikoille tai jättää ne vähittäismyyjälle ostettaessa uusi tuote.

Black & Decker tarjoaa mahdollisuuden Black & Decker –tuotteiden keräykseen ja kierrätykseen sen jälkeen, kun ne on poistettu käytöstä. Jotta voisit hyötyä tästä palvelusta, palauta laitteesi johonkin valtuutettuun huoltoliikkeeseen, joka kerää laitteet meidän puolestamme.

Voit tarkistaa lähimmän valtuutetun huoltoliikkeen sijainnin ottamalla yhteyden Black & Deckerin toimistoon, joka sijaitsee tässä käsikirjassa annetussa osoitteessa. Lista valtuutetuista Black & Decker -huoltoliikkeistä sekä yksityiskohtaiset tiedot korjauspalvelustamme ovat vaihtoehtoisesti saatavilla Internetissä, osoitteessa [www.2helpU.com](http://www.2helpU.com)

#### Tekniset tiedot

		AST6	CD105	CD110	CD115
Jännite	V <sub>AC</sub>	230	230	230	230
Ottoteho	W	701	701	701	710
Kuormittamaton nopeus	min <sup>-1</sup>	10.000	10.000	10.000	10.000
Laikan halkaisija	mm	115	115	100	115
Laikan sisäläpimitta	mm	22	22	16	22
Max. laikan paksuus					
hiomalaikkoja	mm	6	6	6	6
katkaisulaikkoja	mm	3,5	3,5	3,5	3,5
Karan koko		M14	M14	M10	M14
Paino	kg	2,1	2,1	2,1	2,1

#### EU:n yhdenmukaisuusilmoitus

AST6/CD105/CD110/CD115

Black & Decker vakuuttaa näiden tuotteiden olevan seuraavien standardien vaatimusten mukaisia:

98/37/EC, 89/336/EEC, EN 50144, EN 55014, EN 61000

L<sub>PA</sub> (äänenpaine) 89,9 dB(A), L<sub>WA</sub> (akustinen teho) 102,9 dB(A),  
käden/käsivarren painotettu värinä < 2,5 m/s<sup>2</sup>

Kevin Hewitt  
Director of Consumer Engineering  
Spennymoor, County Durham DL16 6JG,  
Iso-Britannia  
1-5-2005

#### Korjaukset / varaosat

Mikäli koneeseen tulee vikaa, jätä se aina Black & Deckerin valtuuttamaan huoltoliikkeeseen korjattavaksi (tiedot löytyvät uusimmasta tuoteluettelostamme tai ottamalla yhteyttä Black & Decker Oy:hyn). Varaosia myyvät valtuutetut Black & Deckerin huoltoliikkeet, ja heiltä voi myös pyytää kustannusarvion koneen korjauksesta.

Tiedot valtuutetuista huoltoliikkeistä löytyvät myös internetistä osoitteesta [www.2helpU.com](http://www.2helpU.com) sekä kotisivuiltamme [www.blackanddecker.fi](http://www.blackanddecker.fi)

#### Takuu

Black & Decker Oy takaa, ettei koneessa ollut materiaali- ja/tai valmistusvikaa silloin, kun se toimitettiin ostajalle. Takuu on lisäksi kuluttajan laillisiin oikeuksiin eikä vaikuta niihin. Takuu on voimassa Euroopan Unionin jäsenmaissa ja Euroopan vapaakauppa-alueella (EFTA).

Mikäli Black & Decker -kone hajoaa materiaali- ja/tai valmistusvirheen tai teknisten tietojen epätarkkuuden vuoksi 24 kk:n kuluessa ostopäivästä, Black & Decker korjaa koneen ilman kustannuksia ostajalle tai vaihtaa sen uuteen Black & Decker Oy:n valinnan mukaan.

Takuu ei kata vikoja, jotka johtuvat koneen

- ◆ normaalista kulumisesta
- ◆ ylikuormituksesta, virheellisestä käytöstä tai hoidosta
- ◆ vahingoittamisesta vieraalla esineellä tai aineella tai onnettomuustapauksessa.

Takuu ei ole voimassa, mikäli konetta on korjannut joku muu kuin Black & Deckerin valtuuttama huoltoliike.

Edellytyksenä takuun saamiselle on, että ostaja jättää koneen ja ostokuitin jälleenmyyjälle tai valtuutetulle huoltoliikkeelle viimeistään 2 kuukauden kuluessa vian ilmenemisestä. Tiedot valtuutetuista huoltoliikkeistä saa ottamalla yhteyttä Black & Decker Oy:hyn sekä internetistä osoitteesta [www.2helpU.com](http://www.2helpU.com), jossa on myös takuehdot.

Voit vieraila verkkosivuiltamme [www.blackanddecker.fi](http://www.blackanddecker.fi) rekisteröidäksesi uuden Black & Decker-tuotteesi ja saadaksesi tietoa uusista tuotteista ja erikoistarjouksista. Saat lisätietoja Black & Deckerin tavaramerkistä ja tuotevalikoimastamme osoitteesta [www.blackanddecker.fi](http://www.blackanddecker.fi)

## Ενδεδειγμένη χρήση

Ο γωνιακός τροχός της Black & Decker έχει σχεδιαστεί για την κοπή μετάλλων και λιθοδομών με χρήση του κατάλληλου τύπου δίσκου κοπής ή τροχίσματος.

Αυτο το εργαλείο προορίζεται μόνο για ερασιτεχνική χρήση.

## Οδηγίες ασφαλείας

- ♦ **Προσοχή!** Κατά τη χρήση εργαλείων που τροφοδοτούνται με ηλεκτρικό ρεύμα, θα πρέπει πάντα να λαμβάνονται οι βασικές προφυλάξεις ασφαλείας, για τον περιορισμό του κινδύνου πυρκαγιάς, ηλεκτροπληξίας, σωματικών βλαβών και υλικών ζημιών.
- ♦ Πριν χρησιμοποιήσετε το εργαλείο διαβάστε προσεκτικά τις παρακάτω οδηγίες.
- ♦ Φυλάξτε τις οδηγίες καλά.
- ♦ Αποσυνδέστε το εργαλείο από την πρίζα πριν προχωρήσετε σε εργασίες ρύθμισης, σέρβις ή συντήρησης.

### Διατηρείτε καθαρό το χώρο εργασίας

Ακατάστατοι χώροι και πάγκοι εγκυμονούν κίνδυνο τραυματισμού.

### Λάβετε υπ' όψη τις επιδράσεις του περιβάλλοντος

Μην εκθέτετε ηλεκτρικά εργαλεία σε υγρασία. Φροντίστε η περιοχή εργασίας να είναι καλά φωτισμένη. Μη χρησιμοποιείτε το εργαλείο αν υπάρχει κίνδυνος να προκληθεί πυρκαγιά ή έκρηξη, π.χ. κοντά σε εύφλεκτα υγρά και αέρια.

### Κρατάτε τα παιδιά σε απόσταση

Μην επιτρέπετε σε παιδιά, επισκέπτες ή ζώα να πλησιάζουν στο χώρο εργασίας ή να αγγίζουν το εργαλείο ή το καλώδιο τροφοδοσίας.

### Φοράτε τα κατάλληλα ρούχα εργασίας

Μη φοράτε φαρδιά ρούχα ή κοσμήματα. Υπάρχει πιθανότητα να πιαστούν σε κινούμενα μέρη μηχανών. Για υπαίθριες εργασίες συνιστώνται λαστιχένια γάντια και υποδήματα που δε γλιστρούν. Εάν έχετε μακριά μαλλιά φοράτε προστατευτικό δίχτυκι.

### Ατομική προστασία

Φορέστε προστατευτικά γυαλιά. Φορέστε μάσκα προσώπου ή προστασίας από τη σκόνη, στις περιπτώσεις που η εργασία ενδέχεται να προκαλέσει την παραγωγή σκόνης ή αιωρούμενων σωματιδίων. Φοράτε ωταπίδες.

### Λάβετε τις κατάλληλες προφυλάξεις για το ενδεχόμενο ηλεκτροπληξίας

Αποφύγετε τη σωματική επαφή με γειωμένες ή συνδεδεμένες με το έδαφος επιφάνειες (π.χ. σωλήνες, ψυγεία, βραστήρες και ψυγεία). Η ηλεκτρική ασφάλεια μπορεί να βελτιωθεί αν χρησιμοποιηθεί συσκευή παραμένοντος ρεύματος (RCD) υψηλής ευαισθησίας (30 mA / 30 mS).

### Μη σκύβετε πάρα πολύ

Φροντίστε πάντοτε να έχετε την κατάλληλη στάση και να διατηρείτε την ισορροπία σας.

## Να είστε πάντα προσεκτικοί

Παρακολουθείτε την εργασία σας. Ενεργείτε λογικά. Μη χρησιμοποιείτε το εργαλείο όταν είστε κουρασμένοι.

### Στηρίξτε με ασφαλή τρόπο το αντικείμενο στο οποίο εργάζεστε

Χρησιμοποιήστε σφιγκτήρες ή μέγγεννη για το σκοπό αυτό. Η μέθοδος αυτή είναι ασφαλέστερη και ελευθερώνει και τα δύο σας χέρια για το χειρισμό του εργαλείου.

### Συνδέστε τη συσκευή αφαίρεσης σκόνης

Εάν παρέχονται συσκευές για τη σύνδεση συσκευών αφαίρεσης και συλλογής σκόνης, βεβαιωθείτε ότι η σύνδεση και η χρήση τους γίνεται με τον ενδεδειγμένο τρόπο.

### Απομακρύνετε από το μηχάνημα τα κλειδιά που χρησιμοποιείτε για τη ρύθμισή του

Πριν βάλετε σε λειτουργία το εργαλείο, βεβαιωθείτε πάντα ότι έχετε βγάλει από αυτό τα κλειδιά για τη ρύθμισή του.

### Καλώδια επιμήκυνσης

Πριν τη χρήση, επιθεωρήστε το καλώδιο επιμήκυνσης και αντικαταστήστε το, αν έχει φθαρεί. Εάν χρησιμοποιείτε τη συσκευή σε υπαίθριο χώρο, χρησιμοποιείτε μόνο καλώδια επιμήκυνσης κατάλληλα για χρήση σε υπαίθριο χώρο. Μπορεί να χρησιμοποιηθεί καλώδιο προέκτασης Black & Decker έως και 30 m χωρίς να προκληθεί απώλεια ισχύος.

### Χρησιμοποιείτε το σωστό εργαλείο

Η ενδεδειγμένη χρησιμοποίηση αναφέρεται σε αυτές τις οδηγίες χρήσεως. Μη χρησιμοποιείτε εργαλεία χαμηλής ισχύος ή προσθήκες για βιαριές εργασίες. Το εργαλείο σας θα λειτουργήσει επιτυχέστερα και ασφαλέστερα εάν χρησιμοποιηθεί σύμφωνα με τις προδιαγραφές του.

Μη ζορίζετε το εργαλείο. Μη χρησιμοποιείτε το εργαλείο σε εργασίες για τις οποίες δεν είναι κατάλληλα. Για παράδειγμα, μη χρησιμοποιείτε δισκοπρίονο για να κόψετε κλαδιά ή κορμούς δέντρων.

**Προσοχή!** Όσο η χρήση εξαρτημάτων ή προσθηκών όσο και η πραγματοποίηση εργασιών που δεν συνιστώνται στις οδηγίες αυτές εγκυμονεί κίνδυνο τραυματισμού.

### Ελέγχετε εάν το εργαλείο σας έχει θλάβες

Πριν από τη χρήση, ελέγξτε προσεκτικά το εργαλείο και το καλώδιο τροφοδοσίας για τυχόν ζημιές. Ελέγξτε για τυχόν κακή ευθυγράμμιση και εμπλοκή των κινούμενων μερών, για μέρη που έχουν σπάσει, για τυχόν ζημιές στους προφυλακτήρες και τους διακόπτες, και γενικά κάθε είδους συνθήκες οι οποίες ενδέχεται να επηρεάσουν τη λειτουργία του εργαλείου. Βεβαιωθείτε ότι το εργαλείο λειτουργεί κανονικά και χρησιμοποιείται για το σκοπό για τον οποίο προορίζεται. Μη χρησιμοποιείτε το εργαλείο αν κάποιο εξάρτημά του παρουσιάζει ελάττωμα. Μη χρησιμοποιείτε το εργαλείο, εάν ο διακόπτης δεν μπορεί να το θέσει εντός ή εκτός λειτουργίας. Φροντίστε για την επισκευή ή αντικατάσταση τυχόν ελαττωματικών εξαρτημάτων από εξουσιοδοτημένο κέντρο επισκευών. Ποτέ μην επιχειρήσετε να επισκευάσετε οι ίδιοι το εργαλείο.

**Βγάλετε το εργαλείο από την πρίζα**

Βγάλετε το εργαλείο από την πρίζα όταν το εργαλείο δεν χρησιμοποιείται, προτού αλλάξετε οποιοδήποτε ανταλλακτικό, παρελκόμενο ή εξάρτημα του εργαλείου, και πριν από τη συντήρησή του.

**Αποφύγετε την τυχαία εκκίνηση του εργαλείου**

Μη μεταφέρετε το εργαλείο έχοντας το δάκτυλό σας πάνω στο διακόπτη εκκίνησης. Όταν βάζετε την πρίζα, βεβαιωθείτε ότι ο διακόπτης του εργαλείου είναι κλειστός.

**Μην κακομεταχειρίζεστε το καλώδιο**

Ποτέ μη μεταφέρετε το εργαλείο κρατώντας το από το καλώδιο και μην το τραβάτε από το καλώδιο για να το βγάλετε από την πρίζα. Φροντίστε το καλώδιο να παραμένει μακριά από την θερμότητα, τα λάδια και από αιχμηρές ακμές.

**Φυλάγετε τα εργαλεία σας σε ασφαλές μέρος**

Ηλεκτρικά εργαλεία που δεν χρησιμοποιούνται πρέπει να φυλάσσονται σε στεγνούς, κλειστούς χώρους ή σε μεγάλο ύψος, μακριά από παιδιά.

**Συντηρήστε προσεκτικά τα εργαλεία**

Φροντίστε τα εργαλεία σας να είναι κοφτερά και καθαρά, ώστε να προσφέρουν υψηλή απόδοση και ασφάλεια κατά τη χρήση τους. Ακολουθήστε τις σχετικές οδηγίες σε ότι αφορά τη συντήρηση και την αλλαγή των εξαρτημάτων. Φροντίστε οι λαβές και οι διακόπτες να είναι στεγνοί, καθαροί και χωρίς λάδια ή γράσα.

**Επισκευές**

Το εργαλείο αυτό συμμορφώνεται με τις σχετικές προϋποθέσεις ασφαλείας. Οι επισκευές θα πρέπει να γίνονται μόνο από ειδικευμένους τεχνικούς και με τη χρήση αποκλειστικά γνήσιων ανταλλακτικών, διαφορετικά υπάρχει το ενδεχόμενο σοβαρού κινδύνου για το χρήστη.

**Ηλεκτρική ασφάλεια**

Το εργαλείο σας φέρει διπλή μόνωση. Κατά συνέπεια δε χρειάζεται καλώδιο γείωσης. Ελέγχετε πάντοτε αν η τάση τροφοδοσίας αντιστοιχεί σε αυτήν που αναγράφεται στην πινακίδα στοιχείων του εργαλείου.

**Συμπληρωματικές οδηγίες ασφαλείας για γωνιακούς τροχούς**

Διαβάστε τον εγχειρίδιο οδηγιών πριν τη χρήση.



Κατά τη χρήση αυτού του εργαλείου, να φοράτε προστατευτικά γυαλιά.



Κατά τη χρήση αυτού του εργαλείου, να φοράτε ωτοασπίδες.

- ◆ Να φοράτε πάντα προφυλακτικά γυαλιά και ωτοασπίδες όταν χρησιμοποιείτε αυτό το εργαλείο.

- ◆ Πρέπει να φοράτε προσωπικό προστατευτικό εξοπλισμό όπως μάσκα, γάντια, κράνος και ποδιά.
- ◆ Μην κόβετε ή τροχίζετε ελαφρά μέταλλα με περιεκτικότητα σε μαγνήσιο πάνω από 80% επειδή αυτός ο τύπος μετάλλου είναι εύφλεκτος.
- ◆ Να χρησιμοποιείτε αποκλειστικά τους δίσκους λείανσης και κοπής και τα υπόλοιπα εξαρτήματα που συστήνονται στο παρόν εγχειρίδιο.
- ◆ Βεβαιωθείτε ότι η μέγιστη ταχύτητα του δίσκου τροχίσματος ή κοπής είναι μεγαλύτερη από την ταχύτητα χωρίς φορτίο του εργαλείου.
- ◆ Μην χρησιμοποιείτε δίσκους λείανσης και κοπής που δεν συμμορφώνονται με τις διαστάσεις δηλωμένες στα τεχνικά δεδομένα. Μην χρησιμοποιείτε χωριστά τριβικούς δακτύλιους ή προσαρμογείς η κάντε μη εγκεκριμένες τροποποιήσεις για την προσαρμογή τραχειών τροχών μεγάλων οπών.
- ◆ Μην κόβετε τεμάχια εργασίας που απαιτούν μέγιστο βάθος κοπής μεγαλύτερο από εκείνο του δίσκου κοπής.
- ◆ Μην χρησιμοποιείτε δίσκους κοπής για τροχίσματα πλάσιμα.
- ◆ Επιθεωρήστε τους δίσκους τροχίσματος και κοπής πριν τη κάθε χρήση. Μην χρησιμοποιείτε σπασμένους, ραγισμένους ή αλλιώς ελαττωματικούς δίσκους.
- ◆ Βεβαιωθείτε ότι οι εγκαταστημένοι τροχοί και τα σημεία έχουν τοποθετηθεί σύμφωνα με τις οδηγίες του κατασκευαστή.
- ◆ Βεβαιωθείτε ότι το τροχίο προϊόν έχει τοποθετηθεί και σφικτεί σωστά πριν τη χρήση και δουλέψτε το εργαλείο για 30 δ. σε ασφαλές θέση, σταματήστε αμέσως αν υπάρχουν ενδεχόμενες δονήσεις ή αν εντοπιστούν άλλα ελαττώματα. Αν προκύψει αυτή η κατάσταση, ελέγξτε τη μηχανή για να καθοριστεί η αίτια.
- ◆ Βεβαιωθείτε ότι τα στυπόχαρτα χρησιμοποιούνται όταν παρέχονται με σχετικά τραχεία προϊόντα και όταν απαιτούνται.
- ◆ Όταν εφαρμοστέ ένα σπειροειδές δίσκο με οπές, βεβαιωθείτε ότι η τρυπά είναι αρκετή μεγάλη να δεχτεί το μήκος της άτρακτο.
- ◆ Ποτέ μη χρησιμοποιείτε το εργαλείο χωρίς τον προφυλακτήρα.
- ◆ Ελέγξτε ότι το τεμάχιο εργασίας στηρίζεται σωστά.
- ◆ Μην ασκείτε περισσότερη πίεση στο εργαλείο τροχίσματος ή κοπής.
- ◆ Βεβαιωθείτε ότι ο σπινθηρισμός που δημιουργείται από τη χρήση δεν προκαλεί κίνδυνο π.χ. χτυπήσει άλλα άτομα, η αναφλέξει εύφλεκτες ουσίες.
- ◆ Προσέξτε ότι μετά το σβήσιμο του εργαλείου, ο τροχός συνεχίζει τη περιστροφή για ένα μικρό διάστημα.
- ◆ Βεβαιωθείτε ότι οι οπές εξαερισμού είναι καθαρές όταν εργάζεστε σε χώρο με πολλή σκόνη. Αν γίνει απαραίτητος ο καθαρισμός της σκόνης, αποσυνδέστε πριν το εργαλείο από τη πρίζα.



Αποφύγετε τη φθορά εσωτερικών σημείων, μαλακή βούρτσα ή στεγνό πανί, μην χρησιμοποιείτε μεταλλικά αντικείμενα.

- ◆ Οι τραχιό τροχοί πρέπει να αποθηκεύονται με προσοχή σύμφωνα με τις οδηγίες του κατασκευαστή και οι δίσκοι τροχίσματος ή κοπής να αποθηκεύονται πάντα σε ξηρό χώρο.

## Χαρακτηριστικά

Το εργαλείο διαθέτει όλα ή ορισμένα από τα εξής χαρακτηριστικά.

1. Διακόπτης on/off
2. Πλευρική λαβή
3. Ασφάλεια ατράκτου
4. Προφυλακτήρας

## Συναρμολογήση

**Προειδοποίηση!** Πριν από τη συναρμολόγηση, βεβαιωθείτε ότι το εργαλείο είναι σβηστό και ότι το φως του δεν είναι στην πρίζα.

### Τοποθέτηση και αφαίρεση του προστατευτικού καλύμματος (εικ. A & B)

#### Τοποθέτηση

- ◆ Τοποθετήστε το εργαλείο πάνω σε ένα τραπέζι, με την άτρακτο (5) προς τα πάνω.
- ◆ Τοποθετήστε τη ροδέλα γκρόβερ (6) στην άτρακτο και τοποθετήστε τη στο έρεισμα (7).
- ◆ Τοποθετήστε τον προφυλακτήρα (4) στο εργαλείο, όπως φαίνεται στην εικόνα.
- ◆ Τοποθετήστε τη φλάντζα (8) στην άτρακτο με τις προεξέχουσες εγκοπές προς το προστατευτικό κάλυμμα. Βεβαιωθείτε ότι οι οπές της φλάντζας είναι ευθυγραμμισμένες με τις οπές στις βίδες.
- ◆ Στερεώστε τη φλάντζα με τις βίδες (9). Βεβαιωθείτε ότι οι βίδες είναι καλά σφιγμένες και ότι το προστατευτικό κάλυμμα μπορεί να περιστραφεί.

#### Αφαίρεση

- ◆ Χρησιμοποιήστε κατασβίδι για να αφαιρέσετε τις βίδες (9).
- ◆ Αφαιρέστε τη φλάντζα (8), το προστατευτικό κάλυμμα (4) και τη ροδέλα γκρόβερ (7). Φυλάξτε προσεκτικά τα εξαρτήματα που αφαιρέσατε.

**Προειδοποίηση!** Ποτέ μη χρησιμοποιείτε το εργαλείο χωρίς τον προφυλακτήρα.

### Τοποθέτηση της πλευρικής χειρολαβής

- ◆ Βιδώστε την πλευρική λαβή (2) σε μία από τις οπές τοποθέτησης του εργαλείου.

**Προειδοποίηση!** Να χρησιμοποιείτε πάντα την πλευρική λαβή.

### Τοποθέτηση και αφαίρεση δίσκων τροχίσματος ή κοπής (εικ. C - E)

Να χρησιμοποιείτε πάντα τον σωστό τύπο δίσκου για κάθε χρήση. Να χρησιμοποιείτε πάντα δίσκους με τη σωστή διάμετρο και το σωστό μήκος εσωτερικής διαμέτρου (βλ. τα τεχνικά δεδομένα).

#### Τοποθέτηση

- ◆ Τοποθετήστε το προστατευτικό κάλυμμα όπως περιγράφεται παραπάνω.
- ◆ Τοποθετήστε την εσωτερική φλάντζα (10) στην άτρακτο (5) όπως φαίνεται στην εικ. C. Βεβαιωθείτε ότι η φλάντζα είναι σωστά τοποθετημένη στις επίπεδες πλευρές της ατράκτου.
- ◆ Τοποθετήστε τον δίσκο (11) στην άτρακτο (5) όπως φαίνεται (εικ. C) Αν ο δίσκος προεξέχει στη μέση (12), βεβαιωθείτε ότι το υπερυψωμένο σημείο βρίσκεται απέναντι από την εσωτερική φλάντζα.
- ◆ Βεβαιωθείτε ότι ο δίσκος τοποθετείται σωστά πάνω στην εσωτερική φλάντζα.
- ◆ Τοποθετήστε την εξωτερική φλάντζα (13) πάνω στην άτρακτο. Κατά την τοποθέτηση ενός δίσκου τροχίσματος, το υπερυψωμένο σημείο του κέντρου στην εξωτερική φλάντζα πρέπει να βρίσκεται απέναντι από τον δίσκο (A στην εικ. D). Κατά την τοποθέτηση ενός δίσκου κοπής, το υπερυψωμένο σημείο του κέντρου στην εξωτερική φλάντζα πρέπει να βρίσκεται μακριά από τον δίσκο (B στην εικ. D).
- ◆ Κρατήστε πατημένη την ασφάλεια της ατράκτου (3) και σφίξτε την εξωτερική φλάντζα με το κλειδί δύο πειρών (14) (εικ. E).

#### Αφαίρεση

- ◆ Κρατήστε πατημένη την ασφάλεια της ατράκτου (3) και χαλαρώστε την εξωτερική φλάντζα (13) με το κλειδί δύο πειρών (14) (εικ. E).
- ◆ Αφαιρέστε την εξωτερική φλάντζα (13) και τον δίσκο (11).

### Τοποθέτηση και αφαίρεση δίσκων λείανσης (εικ. E & F)

Σε περιπτώσεις λείανσης απαιτείται ελαστικό παρέμβυσμα. Το ελαστικό παρέμβυσμα διατίθεται στις αντιπροσωπίες της Black & Decker ως ξεχωριστό εξάρτημα.

#### Τοποθέτηση

- ◆ Τοποθετήστε την εσωτερική φλάντζα (10) στην άτρακτο (5) όπως φαίνεται στην εικ. F. Βεβαιωθείτε ότι η φλάντζα είναι σωστά τοποθετημένη στις επίπεδες πλευρές της ατράκτου.
- ◆ Τοποθετήστε το ελαστικό παρέμβυσμα (15) πάνω στην άτρακτο.
- ◆ Τοποθετήστε τον δίσκο λείανσης (16) στο ελαστικό παρέμβυσμα.

- ♦ Τοποθετήστε την εξωτερική φλάντζα (13) πάνω στην άτρακτο με το υπερυψωμένο σημείο στραμμένο μακριά από τον δίσκο.
- ♦ Κρατήστε πατημένη την ασφάλεια της ατράκτου (3) και χαλαρώστε την εξωτερική φλάντζα με το κλειδί δύο πειρών (14) (εικ. Ε). Βεβαιωθείτε ότι έχει τοποθετηθεί σωστά η εξωτερική φλάντζα και ότι ο δίσκος είναι γερά στερεωμένος.

### Αφαίρεση

- ♦ Κρατήστε πατημένη την ασφάλεια της ατράκτου (3) και χαλαρώστε την εξωτερική φλάντζα (13) με το κλειδί δύο πειρών (14) (εικ. Ε).
- ♦ Αφαιρέστε την εξωτερική φλάντζα (13), τον δίσκο λειάνσης (16) και το ελαστικό παρέμβυσμα (15).

### Χρήση

**Προειδοποίηση!** Αφήστε το εργαλείο να λειτουργήσει με το δικό του ρυθμό. Μην το υπερφορτώνετε.

- ♦ Τοποθετήστε προσεκτικά το καλώδιο ώστε να μην το κόψετε κατά λάθος.
- ♦ Λάβετε υπόψη ότι θα προκληθούν σπινθήρες όταν ο δίσκος τροχίσματος ή κοπής έρθει σε επαφή με το τεμάχιο εργασίας.
- ♦ Να τοποθετείτε πάντα το εργαλείο με τρόπο ώστε το προστατευτικό κάλυμμα να παρέχει τη βέλτιστη προστασία από τον δίσκο τροχίσματος ή κοπής.

### Θέση εντός και εκτός λειτουργίας

- ♦ Για να θέσετε το εργαλείο σε λειτουργία, σύρετε εμπρός το διακόπτη on/off (1). Σας επισημαίνουμε ότι το εργαλείο θα συνεχίσει να είναι σε λειτουργία όταν απελευθερώσετε τον διακόπτη.
- ♦ Για να θέσετε το εργαλείο εκτός λειτουργίας, πατήστε το πίσω τμήμα του διακόπτη on/off.

**Προειδοποίηση!** Μη σβήνετε το εργαλείο ενώ υφίσταται φόρτιση.

### Συμβουλές για άριστη χρήση

- ♦ Κρατήστε γερά το εργαλείο με το ένα χέρι στην πλαϊνή λαβή και το άλλο στην κύρια λαβή.
- ♦ Κατά τη λείανση, να διατηρείτε πάντα μία γωνία 15° περίπου μεταξύ του δίσκου και της επιφάνειας που επεξεργάζεστε.

### Συντήρηση

Το εργαλείο σας έχει σχεδιαστεί έτσι ώστε να λειτουργεί για μεγάλη χρονική περίοδο με την ελάχιστη δυνατή συντήρηση. Η διαρκής ικανοποιητική λειτουργία εξαρτάται από την κατάλληλη φροντίδα και τον τακτικό καθαρισμό του εργαλείου.

**Προειδοποίηση!** Πριν από οποιαδήποτε εργασία συντήρησης στο εργαλείο, θα πρέπει να το σβήσετε και να το βγάλετε από την πρίζα.

- ♦ Να καθαρίζετε τακτικά τις εγχοπές εξαερισμού του εργαλείου σας χρησιμοποιώντας μαλακή βούρτσα ή στεγνό πανί.
- ♦ Να καθαρίζετε τακτικά το περιβλήμα του μοτέρ χρησιμοποιώντας ένα υγρό πανί. Μη χρησιμοποιείτε αποξεστικά καθαριστικά ή υγρά καθαρισμού που περιέχουν διαλύτες.

### ΔΙΑΘΕΣΗ ΕΡΓΑΛΕΙΩΝ ΚΑΙ ΠΕΡΙΒΑΛΛΟΝ



Ξεχωριστή συλλογή. Αυτό το προϊόν δεν πρέπει να απορριφθεί με συνηθισμένα σπιτικά απορρίμματα.

Εάν κάποια μέρα διαπιστώσετε ότι το προϊόν σας Black & Decker χρειάζεται αντικατάσταση ή δεν σας χρησιμεύει πλέον, μην το απορρίψετε με τα σπιτικά απορρίμματα. Κάντε αυτό το προϊόν διαθέσιμο για ξεχωριστή συλλογή.



Η ξεχωριστή συλλογή χρησιμοποιημένων προϊόντων και συσκευασιών επιτρέπει την ανακύκλωση υλικών. Η επανάχρηση ανακυκλωμένων υλικών βοηθάει την προστασία του περιβάλλον και μειώνει την ζήτηση για σπάνια υλικά.

Οι τοπικοί κανονισμοί μπορεί να παρέχουν ξεχωριστή συλλογή ηλεκτρικών προϊόντων από κατοικίες, δημοτικές τοποθεσίες απορριμμάτων ή από τον έμπορα όταν αγοράσατε το καινούργιο προϊόν.

Η Black & Decker δίνει τη δυνατότητα συλλογής και ανακύκλωσης των προϊόντων της που έχουν συμπληρώσει τη διάρκεια ζωής τους. Αν θέλετε να χρησιμοποιήσετε την εν λόγω υπηρεσία, επιστρέψτε το προϊόν σας σε οποιοδήποτε εξουσιοδοτημένο κέντρο επισκευών, όπου θα το παραλάβουν εκ μέρους σας.

Ενημερωθείτε για το πλησιέστερο κέντρο επισκευών της περιοχής σας, επικοινωνώντας με τα γραφεία της Black & Decker στη διεύθυνση που αναγράφεται στο εγχειρίδιο. Επίσης, για να πληροφορηθείτε τα εξουσιοδοτημένα κέντρα επισκευών της Black & Decker και τις λεπτομέρειες και τους αρμόδιους των υπηρεσιών που παρέχονται μετά την πώληση, μπορείτε να ανατρέξετε στο Διαδικτυο στη διεύθυνση: [www.2helpU.com](http://www.2helpU.com)

**Τεχνικά χαρακτηριστικά**

		AST6	CD105	CD110	CD115
Τάση	V <sub>AC</sub>	230	230	230	230
Ισχύς εισόδου	W	701	701	701	710
Ταχύτητα άφροτου κίνησης	min <sub>-1</sub>	10.000	10.000	10.000	10.000
Διάμετρος δίσκου	mm	115	115	100	115
Εσωτερική διάμετρος δίσκου	mm	22	22	16	22
Μέγιστο πάχος δίσκου					
δίσκοι τροχίσματος	mm	6	6	6	6
δίσκοι κοπής	mm	3,5	3,5	3,5	3,5
Μέγεθος ατράκτου		M14	M14	M10	M14
Βάρος	kg	2,1	2,1	2,1	2,1

**Δήλωση συμμόρφωσης με την Ευρωπαϊκή Κοινότητα**

AST6/CD105/CD110/CD115

Η Black & Decker δηλώνει ότι τα προϊόντα αυτά συμμορφώνονται με:

98/37/EOK, 89/336/EOK, EN 50144, EN 55014, EN 61000

L<sub>PA</sub> (πίεση ήχου) 89,9 dB(A), L<sub>WA</sub> (ακουστική ισχύς) 102,9 dB(A), χειροβραχιονική δόνηση < 2,5 m/s<sup>2</sup>



Kevin Hewitt

Διευθυντής Εξυπηρέτησης Πελατών  
Spennymoor, County Durham DL16 6JG,  
Αγγλία  
1-5-2005

- ◆ Το προϊόν έχει υποστεί βλάβη από άλλα αντικείμενα, από ουσίες ή λόγω ατυχήματος
- ◆ Έχει γίνει προσπάθεια επισκευής από μη εξουσιοδοτημένα κέντρα επισκευών ή από προσωπικό που δεν ανήκει στο προσωπικό της Black & Decker

Για να ισχύσει η εγγύηση, πρέπει να υποβάλετε απόδειξη αγοράς στον πωλητή ή το εξουσιοδοτημένο κέντρο επισκευών. Ενημερωθείτε για το πλησιέστερο κέντρο επισκευών της περιοχής σας, επικοινωνώντας με τα γραφεία της Black & Decker στη διεύθυνση που αναγράφεται στο εγχειρίδιο. Επίσης, για να πληροφορηθείτε για τα εξουσιοδοτημένα κέντρα επισκευών της Black & Decker, τις λεπτομέρειες και τους αρμόδιους των υπηρεσιών που παρέχονται μετά την πώληση, μπορείτε να ανατρέξετε στο Διαδίκτυο στη διεύθυνση: [www.2helpU.com](http://www.2helpU.com)

Παρακαλούμε να επισκεφτείτε την ιστοσελίδα μας [www.blackanddecker.com](http://www.blackanddecker.com) για να καταχωρήσετε το νέο σας προϊόν Black & Decker και για να ενημερώσετε για τα νέα προϊόντα και τις ειδικές προσφορές. Περισσότερες πληροφορίες σχετικά με τη μάρκα Black & Decker και τη σειρά προϊόντων μας θα βρείτε στη διεύθυνση [www.blackanddecker.com](http://www.blackanddecker.com)

**Εγγύηση**

Η Black & Decker είναι σίγουρη για την ποιότητα των προϊόντων της και παρέχει σημαντική εγγύηση. Η παρουσία γραπτή εγγύηση αποτελεί πρόσθετο δικαίωμά σας και δεν ζημιώνει τα συνταγματικά σας δικαιώματα. Η εγγύηση ισχύει εντός της επικράτειας των Κρατών Μελών της Ευρωπαϊκής Ένωσης και της Ευρωπαϊκής Ζώνης Ελευθέρων Συναλλαγών.

Σε περίπτωση που κάποιο προϊόν της Black & Decker παρουσιάσει βλάβη εξαιτίας ελαττωματικών υλικών, ποιότητας εργασίας ή έλλειψης συμφωνίας με τις προδιαγραφές εντός 24 μηνών από την ημερομηνία αγοράς, η Black & Decker εγγυάται την αντικατάσταση των ελαττωματικών τμημάτων, την επισκευή προϊόντων που έχουν υποστεί εύλογη φθορά λόγω χρήσης ή την αντικατάσταση των προϊόντων προκειμένου να εξασφαλίσει την ελάχιστη ενόχληση στους πελάτες της, εκτός αν:

- ◆ Το προϊόν έχει χρησιμοποιηθεί σε εργασιακό, επαγγελματικό περιβάλλον ή αν έχει ενοικιαστεί
- ◆ Έχει γίνει εσφαλμένη χρήση του προϊόντος ή αν έχει παραμεληθεί





<b>Australia</b>	Black & Decker (Australia) Pty. Ltd. 20 Fletcher Road, Mooroolbark, Victoria, 3138	Tel. 03-8720 5100 Fax 03-9727 5940
<b>België/Belgique</b>	Black & Decker (Belgium) N.V. Campus Noord, Schaliënhoevedreef 20E 2800 Mechelen	Tel. 015 - 47 92 11 Fax 015 - 47 92 10
<b>Danmark</b>	Black & Decker Sluseholmen 2-4, 2450 København SV Internet: www.blackanddecker.dk	Tel. 70 20 15 15 Fax 36 94 49 01
<b>Deutschland</b>	Black & Decker GmbH Black & Decker Str. 40, D - 65510 Idstein	Tel. 06126/21 - 0 Fax 06126/21 29 80
<b>Ελλάδα</b>	Black & Decker (Ελλάς) Α.Ε. Στράβωνος 7 & Λεωφ. Βουλιαγμένης 159 166 74 Γλυφάδα - Αθήνα	Τηλ. 210 8981616 Φαξ 210 8983285 www.blackanddecker.gr
<b>España</b>	Black & Decker Ibérica, S.C.A. Parque de Negocios "Mas Blau" Edificio Muntadas, c/Bergadá, 1, Of. A6 08820 El Prat de Llobregat (Barcelona)	Tel. 934 797 400 Fax 934 797 419
<b>France</b>	Black & Decker (France) S.A.S. B.P. 21, 69571 Dardilly Cédex	Tel. 04 72 20 39 20 Fax 04 72 20 39 00
<b>Helvetia</b>	RÖFO AG Gewerbezone Seeblick 3213 Kleinbödingen	Tel. 026-6749391 Fax 026-6749394
<b>Italia</b>	Black & Decker Italia SpA Viale Elvezia 2 20052 Monza (MI)	Tel. 039-23871 Fax 039-2387592/2387594 Numero verde 800-213935
<b>Nederland</b>	Black & Decker Benelux Joulehof 12, 4622 RG Bergen op Zoom	Tel. 0164 - 283000 Fax 0164 - 283100
<b>New Zealand</b>	Black & Decker 81 Hugo Johnston Drive Penrose, Auckland, New Zealand	Tel. 09 579 7600 Fax 09 579 8200
<b>Norge</b>	Black & Decker (Norge) A/S Postboks 4814, Nydalen, 0422 Oslo Internet: www.blackanddecker.no	Tif. 22 90 99 00 Fax 22 90 99 01
<b>Österreich</b>	Black & Decker Vertriebsges.m.b.H Erlaaerstraße 165, 1231 Wien	Tel. 01 66116-0 Fax 01 66116-14
<b>Portugal</b>	Black & Decker Rua Egas Moniz 173 S. João do Estoril 2766-651 Estoril	Tel. 214667500 Fax 214667575
<b>Suomi</b>	Black & Decker Oy Keilasatama 3, 02150 Espoo Black & Decker Oy, Kägelhamnen 3, 02150 Esbo	Puh.: 010 400 430 Faksi: (09) 2510 7100 Tel: 010 400 430 Fax: (09) 2510 7100
<b>Sverige</b>	Black & Decker AB Fabriksg. 7, 412 50 Göteborg	Tel: 031-68 60 60 Fax: 031-68 60 80
<b>Türkiye</b>	İntratek Mühendislik ve Dış Tic. A.Ş. Atatürk Mah. Girne Cad. No. 45 34750 Küçükbakkalköy Kadıköy İstanbul	Tel. 0216 456 60 60 Faks 0216 456 60 84
<b>United Kingdom</b>	Black & Decker 210 Bath Road Slough, Berkshire SL1 3YD	Tel. 01753 511234 Fax 01753 551155 Helpline 01753 574277
<b>Middle East &amp; Africa</b>	Black & Decker (Overseas) A.G. PB 5420, Dubai, United Arab Emirates	Tel. +971 4 2826464 Fax +971 4 2826466

Dealer address  
Händleradresse  
Cachet du revendeur  
Indirizzo del rivenditore  
Adres van de dealer  
Dirección del detallista  
Morada do revendedor  
Återförsäljarens adress  
Forhandlens adresse  
Forhandler adresse  
Jälleenmyyjän osoite  
Διεύθυνση αντιπροσώπου

Date of purchase  
Kaufdatum  
Date d'achat  
Data d'acquisto  
Aankoopdatum  
Fecha de compra  
Data de compra  
Inkõpsdatum  
Innkjøpsdato  
Indkøbsdato  
Osttopäivä  
Ημερομηνία αγοράς

◆ Name ◆ Nom ◆ Nome  
◆ Naam ◆ Nombre ◆ Nome ◆ Namn  
◆ Navn ◆ Navn ◆ Nimi ◆ Ovnaja:

◆ Address ◆ Adresse ◆ Adresse ◆ Indirizzo ◆  
Adres ◆ Dirección ◆ Morada ◆ Address ◆  
Adresse ◆ Adresse ◆ Osoite ◆ Διεύθυνση:

◆ Town ◆ Ort ◆ Ville ◆ Città ◆ Plaats  
◆ Ciudad ◆ Localidade ◆ Ort ◆ By ◆ By  
◆ Paikkakunta ◆ Πόλη:

◆ Postal code ◆ Postleitzahl ◆ Code postal ◆  
Codice postale ◆ Postcode  
◆ Código ◆ Código postal ◆ Postnr.  
◆ Postnr. ◆ Postnr. ◆ Postnummero  
◆ Κωδικός

◆ Is this tool a gift? ◆ Ist dieses Gerät ein  
Geschenk? ◆ S'agit-il d'un cadeau? ◆ Si tratta  
di un regalo? ◆ Kreeg u de machine als cadeau?  
◆ ¿Ha recibido usted esta herramienta como  
regalo? ◆ Reçebeu esta ferramenta como  
presente? ◆ Är verktyget en gåva?  
◆ Er verktoyet en gave? ◆ Er verktojet en gave?  
◆ Onko kone lahja? ◆ Το εργαλείο είναι δώρο?

◆ Yes ◆ Ja ◆ Oui ◆ Si ◆ Ja ◆ Si ◆  
◆ Sim ◆ Ja ◆ Ja ◆ Ja ◆ Kyllä ◆ Nαι  
 ◆ No ◆ Nein ◆ Non ◆ No ◆ Nee  
◆ No ◆ Não ◆ Nej ◆ Nei ◆ Nej  
◆ Ei ◆ Oxi

◆ Is this tool your first purchase? ◆ Ist dieses  
Gerät ein Erstkauf? ◆ Est-ce un 1er achat? ◆  
Questo prodotto è il suo primo acquisto? ◆ Is  
deze machine uw eerste aankoop? ◆ ¿Es esta  
herramienta la primera de este tipo?  
◆ Esta ferramenta é a primeira compra? ◆  
Är detta ditt första B&D-verktyg? ◆ Er dette ditt  
første B&D verktoy? ◆ Er dette dit første B&D  
verktøj? ◆ Onko tämä ensimmäinen B&D-

koneesi? ◆ Είναι το εργαλείο αυτό η  
πρώτη σας αγορά?

◆ Yes ◆ Ja ◆ Oui ◆ Si ◆ Ja ◆ Si  
◆ Sim ◆ Ja ◆ Ja ◆ Ja ◆ Kyllä ◆ Nαι  
 ◆ No ◆ Nein ◆ Non ◆ No ◆ Nee  
◆ No ◆ Não ◆ Nej ◆ Nei ◆ Nej  
◆ Ei ◆ Oxi

◆ Dealer address ◆ Händleradresse  
◆ Cachet du revendeur ◆ Indirizzo del  
rivenditore ◆ Adres van de dealer  
◆ Dirección del detallista ◆ Morada do  
revendedor ◆ Återförsäljarens adress  
◆ Forhandlens adresse ◆ Forhandler adresse  
◆ Jälleenmyyjän osoite  
◆ Διεύθυνση αντιπροσώπου

Cat. no.:



- ◆ GUARANTEE CARD
- ◆ GARANTIEKAART
- ◆ GARANTI KORT
- ◆ GARANTIEKARTE
- ◆ TARJETA DE GARANTÍA
- ◆ GARANTI KORT
- ◆ CARTE DE GARANTIE
- ◆ CARTÃO DE GARANTIA
- ◆ TAKUUKORTTI
- ◆ TAGLIANDO DI GARANZIA
- ◆ GARANTIBEVIS
- ◆ KAPTA ΕΓΓΥΗΣΗΣ



**English**

Please complete this section immediately after the purchase of your tool and send it to Black & Decker in your country. If you live in Australia or New Zealand, please register by using the alternative guarantee card supplied.

**Deutsch**

Bitte schneiden Sie diesen Abschnitt ab, stecken ihn in einen frankierten Umschlag und schicken ihn an die Black & Decker Adresse Ihres Landes.

**Français**

Découpez cette partie et envoyez-la sous enveloppe timbrée à l'adresse de Black & Decker dans votre pays, ceci immédiatement après votre achat.

**Italiano**

Per favore ritagliate questa parte, inseritela in una busta con francobollo e spedite la subito dopo l'acquisto del prodotto all'indirizzo della Black & Decker nella vostra nazione.

**Nederlands**

Knip dit gedeelte uit en zend het direct na aankoop in een gefrankeerde, geadresseerde envelop naar het adres van Black & Decker in uw land.

**Español**

Después de haber comprado su herramienta envíe usted, por favor, esta tarjeta a la central de Black & Decker en su país.

**Português**

Por favor, recorte esta parte, coloque-a num envelope selado e endereçado e envie-o logo após a compra do seu produto para o endereço da Black & Decker do seu país.

**Svenska**

Var vänlig klipp ur denna del och sänd den i ett frankerat kuvert till Black & Deckers adress i Ditt land.

**Norsk**

Vennligst klipp ut denne delen umiddelbart etter du har pakket ut ditt produkt og legg det i en adressert konvolutt til Black & Decker (Norge) AS.

**Dansk**

Venligst klip denne del ud og send frankeret til Black & Decker i dit land.

**Suomi**

Leikkaa irti tämä osa, laita se kuoreen ja postita kuori paikalliseen Black & Decker osoitteeseen.

**Ελληνικά**

Παράκατω κόψτε αυτό το κομμάτι και ταχυδρομήστε το μέσω της jetá τmυ ayopá tou npoióvtpoς oac σtnv áeúßuvov tnc Black & Decker σtnv Ελλάδα.