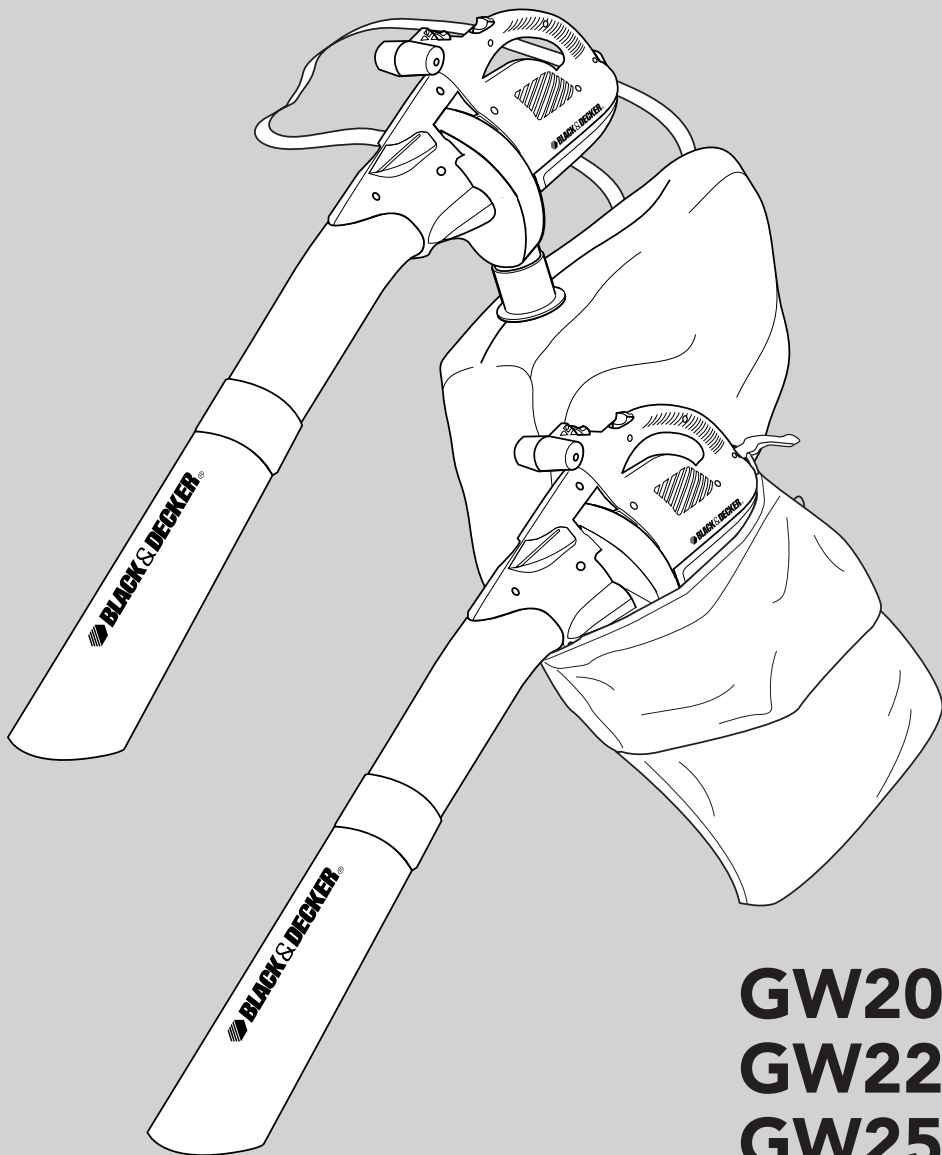


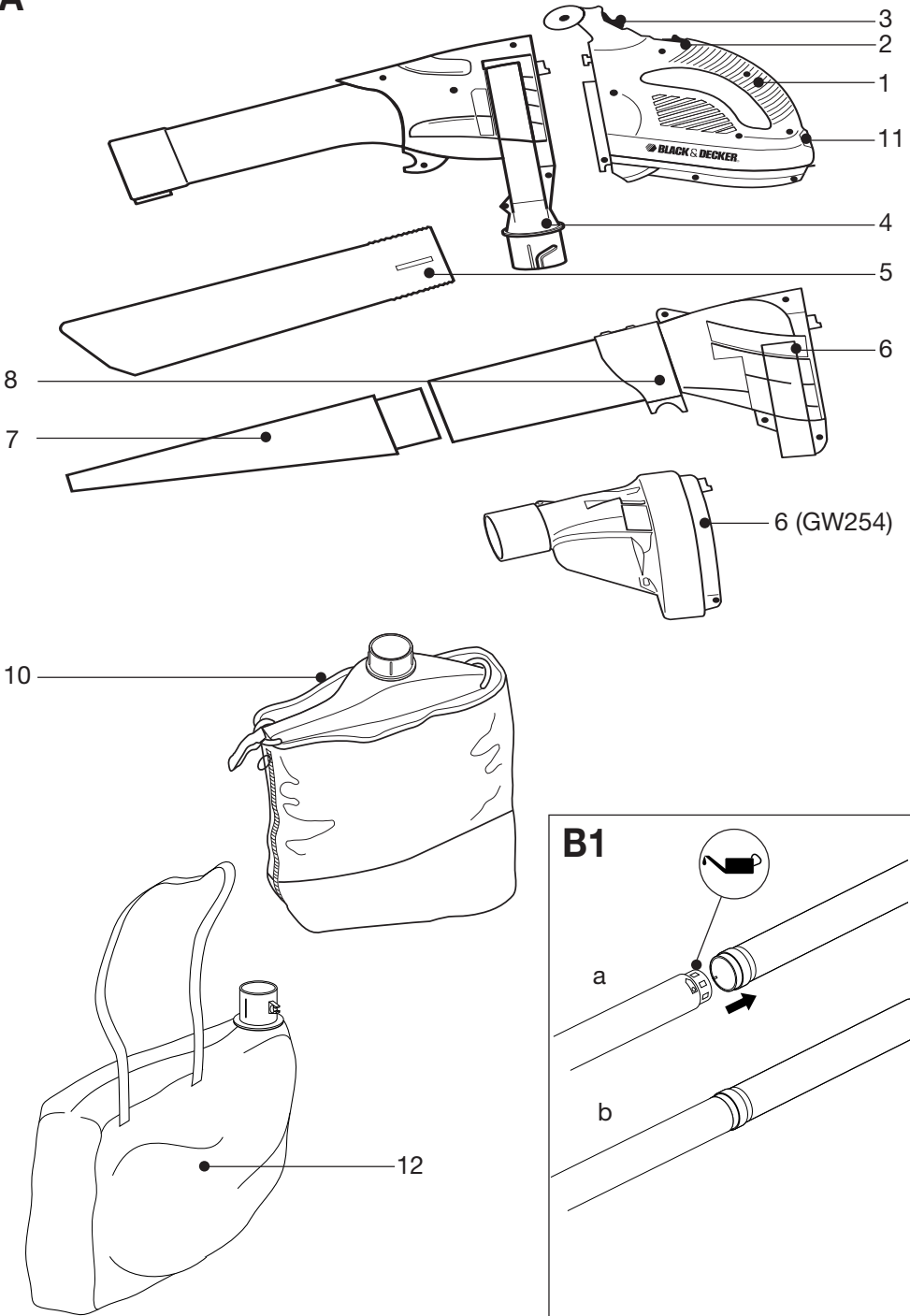
 **BLACK &
DECKER®**



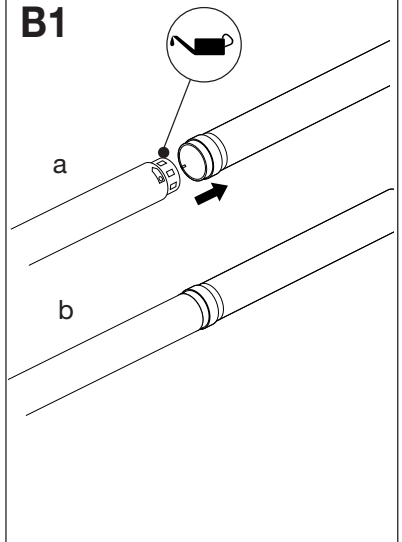
GW200
GW225
GW250
GW254

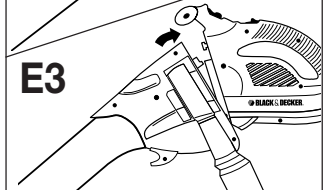
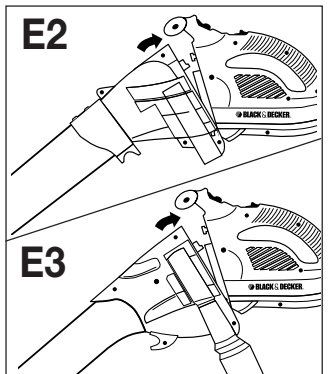
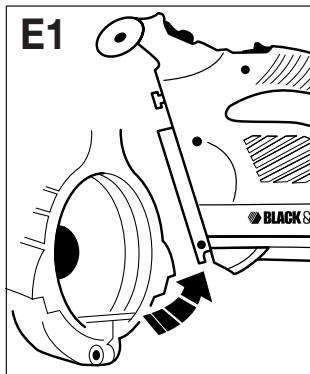
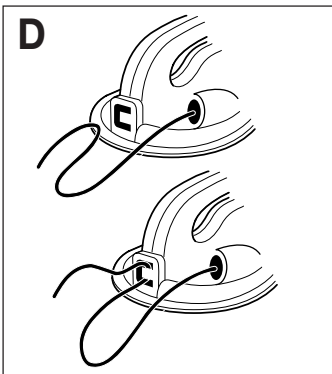
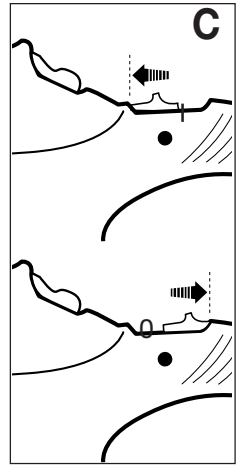
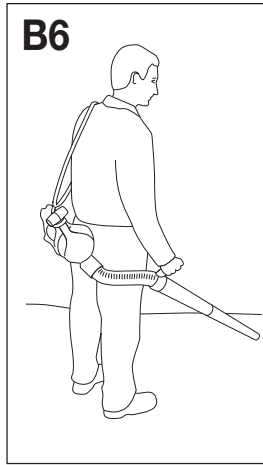
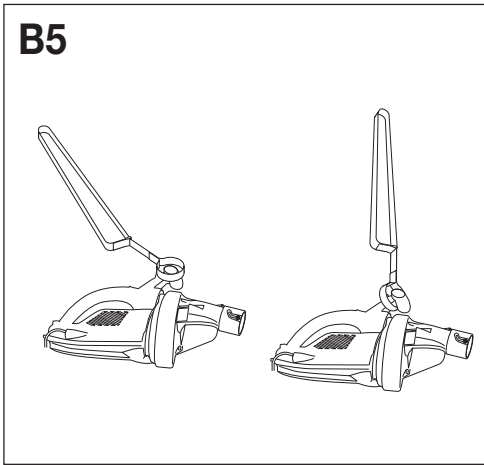
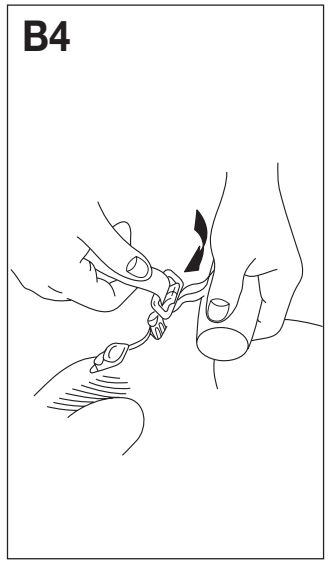
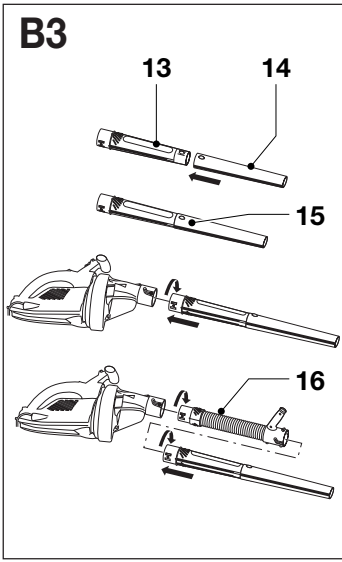
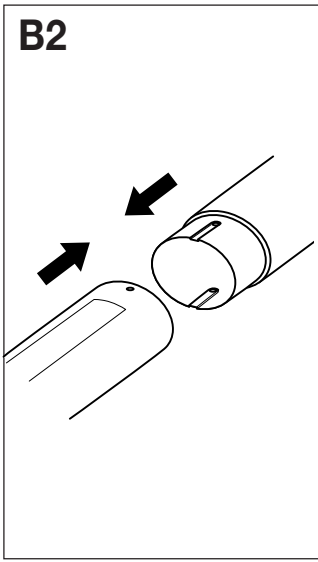
English	7
Italiano	13
Deutsch	18
Français	26
Nederlands	32
Español	38
Português	44
Ελληνικά	50

A



B1

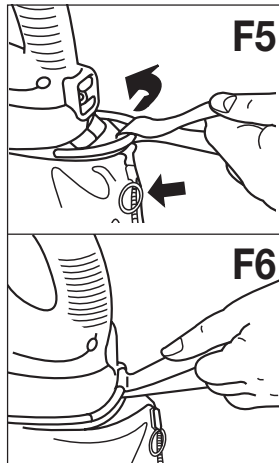
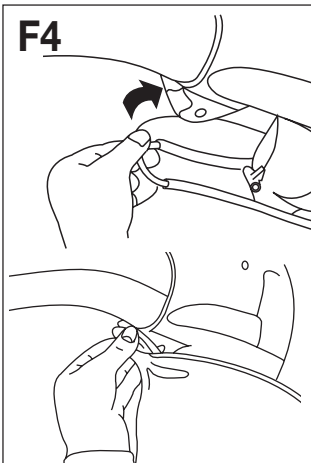
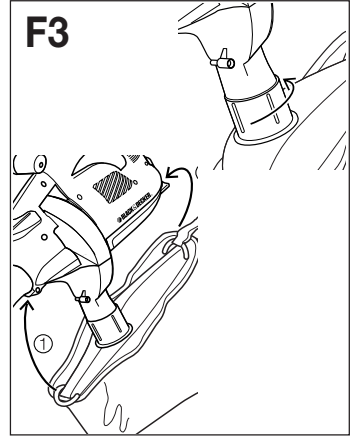
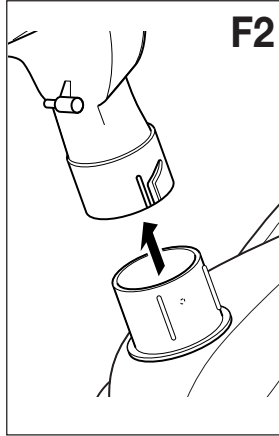
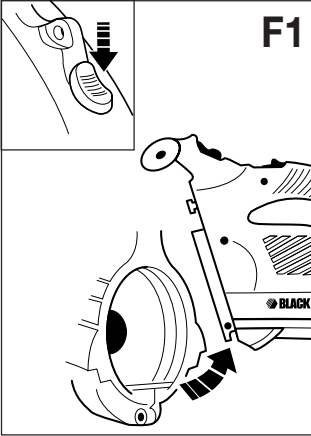
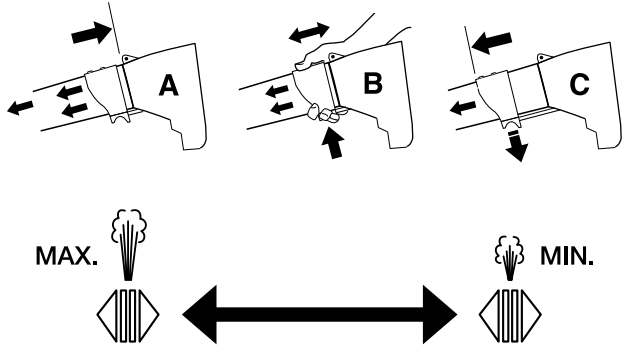




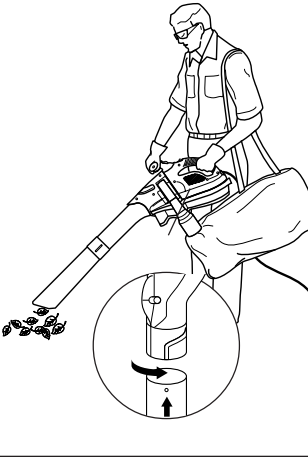
E4



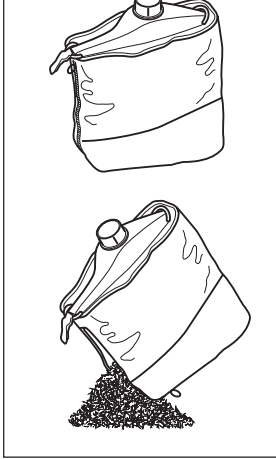
E5



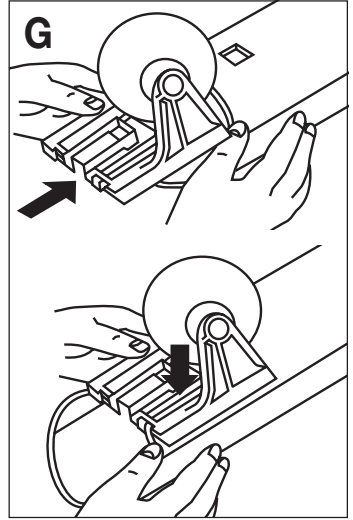
F8



F9



G



Congratulations!

On purchasing the Black & Decker system which will assure you of problem free leaf clearing.

GW200 - Mastervac

Vacuuuming ✓ Shredding ✓

GW225

Vacuuuming ✓ Shredding ✓ Variable blow speed ✓

GW250 - Mastervac 123

Vacuuuming ✓ Shredding ✓ Variable blow speed ✓

GW254

Vacuuuming ✓ Shredding ✓ Flexible blow tube ✓

Your product has many features designed for your benefit, including:

- Powerful motor that blows air and will vacuum/mulch.
- Unique 5 blade fan that will shred leaves into small debris in a 7 to 1 ratio.
- Unique blow speed adjuster on blow tube varying blow speed (GW250, GW225).
- Unique flexible tube blower allowing greater comfort and control (GW254).
- Ergonomic design improves comfort and ease of use.
- Large aperture vacuuming tube to maximise the intake of leaves.
- 35 litre collection bag.

Description (Fig. A)

A Following is a list of parts that will be mentioned in this user manual and are shown in the diagrams:

GW200

1. Powerhead
2. On/off switch
3. Release button
4. Vacuum tube - upper
5. Vacuum tube - lower
9. Carrying strap
10. Collection bag
11. Cable restraint

GW225

1. Powerhead
2. On/off switch
3. Release button

4. Vacuum tube - upper
5. Vacuum tube - lower
6. Blow tube - upper
7. Blow tube - lower
8. Blow control
11. Cable restraint
12. Collection bag

GW250

1. Powerhead
2. On/off switch
3. Release button
4. Vacuum tube - upper
5. Vacuum tube - lower
6. Blow tube - upper
7. Blow tube - lower
8. Blow control
9. Carrying strap
10. Collection bag
11. Cable restraint

GW254 (see also fig. B3)

1. Powerhead
2. On/off switch
3. Release button
4. Vacuum tube - upper
5. Vacuum tube - lower
6. Blow tube - upper
9. Carrying strap
10. Collection bag
11. Cable restraint
13. Blow tube - middle
14. Blow tube - lower
15. Lock button
16. Blow tube - flexi-piece

Know your product



Read this manual carefully, observing all recommended safety precautions before, during and after using your product. Maintain your product in good working order.

Familiarise yourself with the controls on your product before attempting to operate it, but above all, be sure you know how to stop the product in an emergency.

Retain this manual and all other literature supplied for future reference.

Safety instructions

Training

- Safe working distance whilst in blow mode.
- Never allow children or persons who are unfamiliar with this type of product to use it, nor anyone who has not read this manual.
- Do not allow children, animals or other persons near your product when in use - always keep them at least 6m (20ft) away from the working area.
- Remember that the operator/user is responsible for accidents or hazards occurring to other people or their property.
- Your product is designed for use on AC (mains) electrical supplies only - do not attempt to use on any other supply.
- Plug your product into a power point - never a lighting socket. The recommended fuse is 13 amp (UK only).
- Never carry your product by the cable or jerk the cable. Keep the cable away from heat sources, oils or sharp edges. Check the condition of your cable before use and do not use if damaged.



Preparation

- Do not operate your product barefoot or in open sandals.
- To protect your feet, always wear stout shoes or boots - freshly cut grass is damp and slippery. Rubber or man made footwear will enhance your safety.
- Use protective equipment. Wear safety spectacles or goggles whilst operating your product in blow mode.
- Use a face mask if dusty.
- Use ear protection if the sound level seems uncomfortable when using your product.
- Wear long trousers to protect your legs.



Warning! Secure long hair so it is above shoulder length. Keep loose clothing, ties, tassels and hanging straps away from openings and moving parts.

- The power supply cable should be regularly inspected for signs of damage or ageing, and only used if in good condition.
- Always be sure your product is in a safe operating condition and all parts are secure before use.

- Do not operate the product if any parts are defective or worn.
- Do not pick up burning materials such as lit cigarette butts.
- Do not operate the blower/vacuum in a gaseous or explosive atmosphere as motors in these tools normally spark and this may ignite fumes.
- Do not allow the unit to be used by persons under the age of 16 or other persons who have not read this user manual. You are responsible if there is an accident.

Operation

- Do not use in vacuum mode without the vacuum tubes and collection bag in place.



Always switch off and remove the plug from the electrical supply when:

- Changing from blower to vacuum.
- The supply cable has become damaged or entangled.
- You leave your product.
- Clearing a blockage.
- Checking, adjusting, cleaning or working on your product.
- Do not place the inlet or outlet of the vacuum near eyes or ears when operating.



- Do not use your product in the rain and do not allow it to get wet. Avoid using the product in wet conditions.
- Use your product only in daylight or good artificial light.
- Do not cross gravel paths or roads whilst your product is switched on during blow/vac mode.
- Always be sure of your footing, particularly on slopes.
- Do not pick up matter that may be contaminated with flammable or combustible liquids such as gasoline, or use in areas where they might be present.
- Do not place any objects into the openings. Never use if the openings are blocked - keep free of hair, lint, dust and anything that may reduce the airflow.



Warning! Always use your product in the manner outlined in this manual. Your product is designed to be used in an upright mode and if it is used in any other way it may result in injury. Never run your product whilst lying on its side or upside down.

Maintenance and storage

- Store your product in a dry place when not in use, out of the reach of children.
- Do not use solvents or cleaning fluids to clean your product - use a blunt scraper to remove grass and dirt. Always disconnect from the electrical supply before cleaning.
- Do not operate your product if any parts are defective; discard all defective parts and fit new parts before use.
- Keep all nuts, bolts and screws tight to be sure your product is in a safe working condition.
- Use only Black & Decker recommended replacement parts and accessories.
- Replacement fans are available from a Black & Decker service agent.



Warning! If the supply cord is damaged, it must be replaced by a special cord or assembly available from an authorised repair agent (Black & Decker part number: 372832-01 - UK only and part number: 370017-04 - Australia and New Zealand only).

The Black & Decker policy is one of continuous improvement to their product and as such they reserve the right to change product specification without prior notice.

Double insulation



Your product is double insulated. This means that all external metal parts are electrically isolated from the power supply. This is achieved by placing an extra insulation barrier between the electrical and mechanical parts. Double insulation means greater electrical safety and obviates the necessity of having your product earthed.

Electrical safety (UK only)

Your product should always be switched off at the mains before disconnecting any plug and socket connector or extension cables.

Fuse replacement

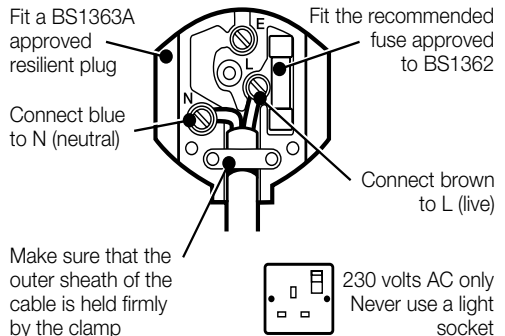
If your product is supplied with cable, fitted with a non-re-wireable plug:

- The plug is fitted with a 13 amp fuse which is the recommended fuse for your product.
- Only use replacement fuses which are approved to BS1362.
- When changing the fuse in your plug, always ensure the fuse cover is refitted. If the fuse cover is missing or damaged do not use the plug.

Note: Fuses do not give personal protection against electric shock.

Plug replacement

- Disconnect the plug from the supply.
- Cut off the plug and dispose of immediately. Insertion of a detached plug into a 13 amp socket outlet may result in electric shock.
- Only fit BS1363A approved plugs fitted with the correctly rated fuse.
- The cable wire colours, or a letter, will be marked at the connection points of most good quality plugs. Attach the wires to their respective points in the plug (see above). Brown is for "Live" (L) and blue is for "Neutral" (N).
- Before replacing the top cover of the mains plug ensure that the cable restraint is holding the outer sheath on the cable firmly and that the two leads are correctly fixed at the terminal screws.



Warning! Never connect live or neutral wires to the earth pin marked "E" or \perp .

Note: Do not wire an extension cable directly into your machine yourself. Instead, take your product to your nearest Black & Decker authorised repair agent.

Increased safety can be obtained by having a qualified electrician install a high sensitivity (30mA) circuit breaker in the house wiring. If you do not have such a circuit breaker installed, or you do not wish to have one installed, then we strongly recommend that the electrical power to the machine be supplied through a high sensitivity residual current device (RCD). The RCD is designed to provide a high degree of personal protection against harmful electric current should fault conditions occur.



Warning! The use of an RCD or other circuit breaker unit does not release the operator of your product from the safety instructions and safe working practices given in this manual.

Assembly prior to use (Fig. B & F)

B

Vacuum tube assembly (Fig. B1)

- Vacuum tubes must be assembled together before use.
- To ease assembly apply soapy water solution to joint area.
- Align location ribs on upper (4) and lower (5) tubes.
- Push both parts firmly together until clip is engaged, as per moulded detail. (Never operate apart).
- In the interests of safety, it is not intended for the tubes to be separated once assembled.

Blow tube assembly (Fig. B2)

- Blow tubes must be assembled together before use.
- To ease assembly, apply a soapy water solution to the joint area.
- Align location ribs on the upper (6) and the lower (7) tubes.
- Push both parts firmly together until the clip is engaged (never operate apart).
- In the interests of safety, it is not intended for the tubes to be separated once assembled.

Blow tube assembly (GW254) (Fig. B3)

- Fit the lower tube (14) over the middle tube (13), until the lock button (15) clicks in place.
- Align the cross mark on the assembled blow tube with the cross mark on the upper blow tube (6).
- Insert the assembled blow tube into the upper blow tube and turn it to lock it in place.
- Alternatively, the flexi-piece (16) can be fitted between the upper blow tube and the assembled blow tube. With the flexi-piece, the unit can be handled more easily and with greater control.

Carrying strap assembly (GW250) (Fig. B4)

- Fit the carrying strap to the powerhead, if required, and adjust to suit the user.



Warning! The shoulder strap should only be used during vacuum mode. Never use the strap during blow mode.

Carrying strap assembly (GW254) (Fig. B5 & B6)

For use in flexi-blow or vacuum mode.

- Fit the small loop over the T-handle.
- Adjust the large loop to suit the user.
- The unit can now be hung over the shoulder and handled as shown.

Collection bag (GW225) (Fig. F8)

- Attach the collection bag to the vacuum outlet using the bayonet fitting.

F

On/off switch (Fig. C)

C

- The on/off switch (2) is located on the handle of the powerhead.
- To switch your product on, push the switch forward.
- The switch will not operate if the release button (3) is depressed.
- To switch off, push the switch to the rear.

Cable restraint (Fig. D)

D

- A cable restraint is incorporated into the rear of the powerhead.
- To fix cable, form a loop in the cable and insert as shown.

Using your product (Fig. E)

When using as a blower or vacuum, always wear safety glasses. If using in dusty conditions, wear a filter mask as well.

Blow mode (GW250/GW254)

- Ensure your product is switched off and disconnected from the mains power supply.
- Attach the blow tube (6) to the powerhead (1) (Fig. E1) by locating the tube as shown, then pivot about this point until the locking/release catch is fully engaged (Fig. E2).
- Hold the blow tube approximately 180mm (7") above the ground, switch your product on and using a sweeping motion from side to side, advance slowly keeping the accumulated debris/leaves in front of you (Fig. E4).

E

Blow control (GW225/GW250) (Fig. E5)

- Position A - Maximum blow speed.
- Position B - Blow control can be varied between positions A and C. To do this, depress the latch as shown and slide the control forward/backward to obtain desired airspeed, then release the latch to lock.

- Position C - Minimum blow speed.
- Once you have blown the debris/leaves into a pile, you can convert to vacuum mode to collect the debris.

Removing blow/vacuum tube (Fig. F)

F

- Switch off your product and disconnect from the mains power supply. (If in vac mode, remove the bag).
- To disconnect the tube from the powerhead, depress the release button as shown (Fig. F1), ensuring the tube does not fall to the ground.
- The release button will not depress if on/off switch is in the forward “on” position.

Vacuum mode (Fig. E & F)

E

- Ensure your product is switched off and disconnected from the mains power supply.
- Attach the vacuum tube in the same way as stated previously for the GW250 blow mode (Fig. E1 & Fig. E3).

F

To fit the bag assembly to your product:

- Align the notches on the bag fitting with the recesses on the vacuum outlet (fig. F2).
- Slide the bag fitting onto the vacuum outlet and tighten the fitting (fig. F3).
- Locate the front of the collection bag into the clip on the underside of the vacuum tube (Fig. F4).
- Using the nylon band locate the rear of the collection bag over the lip positioned at the rear of the powerhead (Fig. F5 & Fig. F6).
- Ensure the bag zip is closed before operation (Fig. F5).
- Position the tube slightly above the debris/leaves. Switch your product on, then using a sweeping motion the debris/leaves will be sucked up the tube, shredded and thrown into the collection bag (Fig. F7).
- As the bag fills the power of the suction will decrease, switch off your product and unplug from the mains power supply.
- To remove the bag, unclip it using the nylon handle as shown (fig. F6) and loosen the fitting. Unzip the bag and empty it before continuing (fig. F9).

Fitting of the blower vac wheel (Fig. G) (K models only)

- Disconnect your product from the electricity supply before fitting the wheel.

Note: To be used in the vac mode only.

- Locate the wheel onto the vac tube.

G

Fault finding



Disconnect from the mains power supply before attempting any maintenance.

Failure to operate (1) Check the connection to the power supply.
 (2) Check the fuse in the plug, if blown, replace (UK only).
 (3) Check that the blow/vacuum tube assembly is correctly fitted to the powerhead.
 (4) If the fuse continues to blow - immediately disconnect from the mains power supply and consult your local Black & Decker authorised repair agent.

Poor vacuum/ high pitched whine (1) Switch off - disconnect from the mains power supply, debris should fall clear of the tube.
 (2) Remove and empty the collection bag.
 (3) Check that both the inlet and exit ports on the vacuum tube are clear.
 (4) Remove any debris from the fan area.
 (5) If poor vacuuming continues - immediately disconnect from the mains power supply and consult your local Black & Decker authorised repair agent.

Poor shredding (1) Switch off - disconnect from the mains power supply and remove the collection bag.
 (2) Remove the vacuum tube and inspect the fan.
 (3) Clean any debris from the fan blades.
 (4) If the fan is cracked or damaged, do not use - consult your local Black & Decker authorised repair agent.

Cleaning your product



Disconnect from the mains power supply before any cleaning or maintenance is carried out. Keep your product dry. Under no circumstances spray with water.

- Clean your product regularly.
- Remove any leaves stuck to the inside of the vacuum tube.
- Plastic parts may be cleaned using a mild soap and a cloth dampened with hot water.



Do not use any type of detergent, cleaner or solvent which may contain chemicals that could seriously damage the plastic.

- Self lubricating bearings are used in your product, therefore lubrication is not required.

Protecting the environment



Black & Decker provides a facility for recycling Black & Decker products once they have reached the end of their working life. This service is provided free of charge. To take advantage of this service please return your product to any authorised repair agent who will collect them on our behalf.

You can check the location of your nearest authorised repair agent by contacting your local Black & Decker office at the address indicated in this manual. Alternatively, a list of authorised Black & Decker repair agents and full details of our after-sales service and contacts are available on the Internet at: www.2helpU.com.

Guarantee

Black & Decker is confident of the quality of its products and offers an outstanding guarantee. This guarantee statement is in addition to and in no way prejudices your statutory rights. The guarantee is valid within the territories of the Member States of the European Union and the European Free Trade Area.

If a Black & Decker product becomes defective due to faulty materials, workmanship or lack of conformity, within 24 months from the date of purchase, Black & Decker guarantees to replace defective parts, repair products subjected to fair wear and tear or replace such products to ensure minimum inconvenience to the customer unless:

- The product has been used for trade, professional or hire purposes;
- The product has been subjected to misuse or neglect;
- The product has sustained damage through foreign objects, substances or accidents;

- Repairs have been attempted by persons other than authorised repair agents or Black & Decker service staff.

To claim on the guarantee, you will need to submit proof of purchase to the seller or an authorised repair agent. You can check the location of your nearest authorised repair agent by contacting your local Black & Decker office at the address indicated in this manual. Alternatively, a list of authorised Black & Decker repair agents and full details of our after-sales service and contacts are available on the Internet at: www.2helpU.com.

Other outdoor tools

Black & Decker has a full range of outdoor power tools that make life in the garden easy. If you would like further information on the following products, please contact our Service and Information Centre (see the address page towards the end of this manual) or your local Black & Decker retailer.

String trimmers

Chainsaws

Cordless shear

Hedge trimmers

Lawnmowers

Lawnrakers

Leafbusters

Shredders

Not all products are available in all countries.

EC Declaration of conformity

GW200/GW225/GW250/GW254

Black & Decker declares that these tools conform to:

98/37/EC, 89/336/EEC, 73/23/EEC,
EN 55014, EN 55104, EN 60335,

2000/14/EC, Leaf blower/collector $\leq 9.5 \text{ m}^3/\text{min}$,
Annex V

Level of sound pressure, measured according to
2000/14/EC:

L_{pA}	(sound pressure)	dB(A)	90
L_{WA}	(acoustic power)	dB(A)	103
L_{WA}	(guaranteed)	dB(A)	105

Hand/arm weighted vibration value according to
EN 50144: $< 2,5 \text{ m/s}^2$

Brian Cooke

Director of Engineering
Spennymoor, County Durham DL16 6JG,
United Kingdom
12-06-2002

GW200/225/250/254

Manuale d'istruzioni

Congratulazioni

L'acquisto del sistema Black & Decker vi consentirà di rimuovere senza problemi le foglie cadute.

GW200 - Mastervac

Aspiratore ✓ Trituratore ✓

GW225

Aspiratore ✓ Trituratore ✓ Soffiatore a velocità variabile ✓

GW250 - Mastervac 123

Aspiratore ✓ Trituratore ✓ Soffiatore a velocità variabile ✓

GW254

Aspiratore ✓ Trituratore ✓ Tubo flessibile da soffiatore ✓

Questo modello è dotato di molte utili funzioni, tra le quali:

- Potente motore in grado di soffiare aria e di aspirare/triturare.
- Esclusiva ventola a 5 pale in grado di tritare le foglie in piccoli frammenti con rapporto di volume di 7 a 1.
- Esclusivo regolatore di velocità di soffiatura posizionato sul tubo - consente regolazione di velocità (GW250, GW225).
- Un esclusivo tubo flessibile da soffiatore che garantisce il massimo controllo e comfort assoluto (GW254).
- Design ergonomico per grande comfort e facilità di utilizzo.
- Tubo aspiratore con apertura disegnata in modo da massimizzare l'asportazione di foglie.
- Sacchetto raccoglitore da 35L.

Descrizione (Fig. A)

A Vi elenchiamo di seguito una lista di componenti che verranno nominati in questo manuale e che sono illustrati nei diagrammi:

GW200

1. Testa motore
2. Interruttore on/off
3. Pulsante di rilascio
4. Tubo aspiratore - parte superiore
5. Tubo aspiratore - parte inferiore
9. Tracolla
10. Sacchetto raccoglitore

11. Serracavo

GW225

1. Testa motore
2. Interruttore on/off
3. Pulsante di rilascio
4. Tubo aspiratore - parte superiore
5. Tubo aspiratore - parte inferiore
6. Tubo soffiatore - parte superiore
7. Tubo soffiatore - parte inferiore
8. Regolazione soffiatura
11. Serracavo
12. Sacchetto raccoglitore

GW250

1. Testa motore
2. Interruttore on/off
3. Pulsante di rilascio
4. Tubo aspiratore - parte superiore
5. Tubo aspiratore - parte inferiore
6. Tubo soffiatore - parte superiore
7. Tubo soffiatore - parte inferiore
8. Regolazione soffiatura
9. Tracolla
10. Sacchetto raccoglitore
11. SerracavoGW250

GW254 (v. anche fig. B3)

1. Testa motore
2. Interruttore on/off
3. Pulsante di rilascio
4. Tubo aspiratore - parte superiore
5. Tubo aspiratore - parte inferiore
6. Tubo soffiatore - parte superiore
9. Tracolla
10. Sacchetto raccoglitore
11. Serracavo
13. Tubo da soffiatore - sezione centrale
14. Tubo da soffiatore - sezione inferiore
15. Pulsante di bloccaggio
16. Tubo da soffiatore - componente flessibile

Conoscete la vostra macchina



Leggete attentamente tutte le istruzioni contenute in questo manuale prima, durante e dopo aver utilizzato la macchina, rispettando le norme di sicurezza e seguendo le avvertenze per un suo corretto mantenimento.

Prima di utilizzare l'utensile, prendete confidenza con la posizione dei comandi ed assicuratevi di essere in grado di spegnere la macchina immediatamente in caso di emergenza.

Tenete con cura il presente manuale per qualsiasi futura necessità.

- Portate una mascherina filtro in presenza di polvere.
- Utilizzate tappi per proteggere l'udito se il livello del rumore durante l'utilizzo vi sembra troppo alto.
- Vestite pantaloni lunghi per proteggere le gambe.



Attenzione! Raccogliere i capelli lunghi al di sopra delle spalle. Abiti ampi, cravatte, fiocchi e cinghie pendenti vanno tenuti a distanza dalle aperture e dalle parti in movimento.

- Ispezionate regolarmente il cavo elettrico per segni di usura o danno ed usatelo solo se in buone condizioni.
- Assicuratevi sempre che la macchina sia in buone condizioni operative e che tutti i componenti siano saldamente fissati prima dell'utilizzo.
- Non utilizzate la macchina con parti usurate o danneggiate.
- Non aspirate materiale infuocato come per esempio mozziconi di sigaretta.
- Non utilizzate la macchina in presenza di atmosfera gassosa o esplosiva in quanto il motore potrebbe produrre scintille e causare esplosioni.
- Non consentite l'utilizzo della macchina a persone di età inferiore a 16 anni o che non abbiano letto il presente manuale. Siete responsabili in caso di incidente.

Norme di sicurezza

Addestramento

- Distanza di sicurezza quando lavorate con la funzione "soffiatore".
- Non consentite mai l'utilizzo di questo utensile a bambini o persone non abituate o a chiunque non abbia letto il presente manuale.



- Non lasciate avvicinare bambini o animali o altre persone mentre state usando la macchina - fateli sempre stare ad almeno 6 metri di distanza dalla zona di lavoro.
- Ricordate che l'operatore/utilizzatore è legalmente responsabile di eventuali danni e ferimenti ad altre persone e alla loro proprietà.

- La macchina è prevista per il collegamento a rete elettrica a corrente alternata (220 Volt), non tentate mai di collegarla ad alcuna altra fonte di energia.

- Non trasportate mai la macchina tenendola per il cavo elettrico. Non tiratelo con troppa forza. Tenete il cavo lontano da sorgenti di calore, olio, bordi affilati. Controllate le condizioni del cavo elettrico prima dell'utilizzo e non usatelo se danneggiato.

Preparazione

- Non utilizzate la macchina a piedi scalzi o con sandali aperti.
- Portate sempre scarpe da lavoro o stivali - l'erba tagliata di fresco è umida e sdruciolevole. Calzature in gomma aumenteranno la vostra sicurezza.



- Utilizzate appositi strumenti protettivi. Portate occhiali o maschera in plexiglas durante il lavoro, nel modo "soffiatore".

Utilizzo

- Non utilizzate la macchina come aspiratore senza avere correttamente posizionato il tubo aspiratore ed il sacchetto raccogliitore.

Spegnete sempre la macchina e rimuovete la spina dalla presa quando:

- Passate da soffiatore ad aspiratore.
- Il cavo elettrico si è danneggiato o incastrato.
- Lasciate incustodita la macchina.
- Dovete rimuovere un ostacolo.
- Dovete eseguire controlli, regolazioni, pulizia e manutenzione della macchina.



- Non portate vicino agli occhi e alle orecchie le aperture dell'aspiratore durante l'utilizzo.

- Non utilizzate la macchina in caso di pioggia e non fate che si inumidisca. Se possibile evitate di usare la macchina in condizioni di umidità.



- Lavorate solo con la luce del giorno o disponendo di buona illuminazione artificiale.
- Non attraversare sentieri di ghiaia o strade quando la macchina è accesa e funziona nel modo di soffiatura/aspirazione.
- Non attraversate viottoli sassosi o strade asfaltate con l'utensile acceso.
- Non aspirate materiale che potrebbe essere contaminato da liquidi infiammabili o combustibili come p.es. benzina e non utilizzate la macchina in luoghi dove potrebbero essere presenti.
- Non gettate alcun oggetto nelle aperture. Non lavorate mai se le aperture sono ostruite - tenetele pulite da capelli, polvere, lana ed ogni altro corpo che potrebbe ostruire il flusso d'aria.



Attenzione! Utilizzate sempre la macchina secondo le presenti istruzioni. La macchina è disegnata per un utilizzo verticale e potrebbe causare ferimenti se usata in ogni altra posizione. Non accendete mai la macchina mentre si trova appoggiata di lato o capovolta.

Cura e manutenzione

- Tenete la macchina in luogo asciutto e fuori dalla portata di bambini.
- Non utilizzate solventi o altri prodotti chimici per la pulizia della macchina - utilizzate una spatola per rimuovere erba e terra impastate. Staccate sempre la spina dalla presa prima di effettuare la pulizia.
- Non utilizzate la macchina se tutti i componenti non sono in perfette condizioni; eliminate tutti i componenti difettosi e rimpiazzateli prima dell'uso.
- Tenete ben serrati tutti i dadi e le viti per essere certi che la macchina sia in buone condizioni operative.
- Utilizzate solo accessori e ricambi originali Black & Decker.
- Le ventole di ricambio sono disponibili presso gli agenti del servizio di assistenza Black & Decker.



Attenzione! Se il cavo di alimentazione è danneggiato, deve essere sostituito da:

Tipo di spina	Codice Black & Decker
Europea	370017-02

Black & Decker è continuamente allo studio di miglioramenti per i propri prodotti e pertanto modifiche e variazioni possono essere introdotte senza preavviso.

Doppio isolamento



La vostra macchina è dotata di doppio isolamento. Questo significa che tutte le parti metalliche esterne sono elettricamente isolate dall'alimentazione. Questo si ottiene inserendo due barriere isolanti tra i componenti elettrici e quelli metallici accessibili. Doppio isolamento significa maggiore sicurezza elettrica ed esclude la necessità del filo di terra.

Montaggio prima dell'uso (Fig. B & F)

Montaggio tubo aspirazione (Fig. B1)

B

- I tubi di aspirazione devono essere montati insieme prima dell'utilizzo.
- Per facilitare il montaggio passare sulla zona del giunto una soluzione di acqua saponata.
- Allineate le costole di posizionamento sui tubi superiore (4) ed inferiore (5).
- Congiungere le due parti spingendole energicamente fino a far scattare la graffa seguendo la sagoma. (Non far funzionare la macchina separatamente).
- Per motivi di sicurezza il montaggio dei tubi si intende **permanente**.

Assemblaggio del tubo soffiante (Fig. B2)

- I tubi soffianti devono essere assemblati assieme prima dell'uso.
- Per agevolare l'assemblaggio, applicare una soluzione di acqua e sapone all'area del giunto.
- Allineare le coste di ubicazione sui tubi superiore (6) ed inferiore (7).
- Premere assieme saldamente entrambe le parti fino ad innestare il fermaglio (mai azionare separatamente).
- Per motivi di sicurezza, i tubi non devono essere separati dopo essere stati assemblati.

Complessivo tubo da soffiatore (GW254) (Fig. B3)

- Installare la sezione inferiore (14) sopra la sezione centrale del tubo (13), finché il pulsante di bloccaggio (15) non scatta in posizione.

- Allineare la tacca a croce presente sul tubo da soffiatore montato con la tacca a croce che si trova sulla sezione superiore del tubo (6).
- Inserire nella sezione superiore del tubo da soffiatore il complessivo così montato e ruotarlo per bloccarlo in posizione.
- Altrimenti è possibile installare il componente flessibile (16) tra la sezione superiore del tubo e il tubo montato. Con il componente flessibile l'unità risulta più maneggevole e maggiormente controllabile.

Montaggio tracolla (GW250) (Fig. B4)

- Se necessario fissate la tracolla al corpo motore e regolatela come necessario.



Attenzione! La cinghia deve essere impiegata soltanto nel modo di aspirazione e mai nel modo di soffiatura.

Complessivo cinghia da trasporto (GW254) (fig. B5 e B6)

Da utilizzarsi in modalità aspirazione o soffiatore con tubo flessibile.

- Sistemare il cappio sopra l'impugnatura a T.
- Il cappio grande può essere regolato in base alle preferenze dell'operatore.
- Ora l'unità può essere poggiata sulla spalla e maneggiata come illustrato.

Sacco di raccolta (GW225) (Fig. F8)

- Montare il sacco di raccolta sulla bocchetta di aspirazione mediante l'attacco a baionetta.

Utilizzo della macchina (Fig. E)

Durante l'utilizzo come soffiatore o aspiratore portate sempre occhiali protettivi. Portate anche una mascherina filtro in presenza di polvere.

Soffiatore (GW250/GW254)

- Assicuratevi che la macchina sia spenta e scollegata dalla rete elettrica.
- Collegate il tubo soffiatore (6) al corpo motore (1) (Fig. E1) posizionandolo come illustrato e ruotandolo fino a che l'incastro non sia completo (Fig. E2).
- Tenete il tubo a circa 15/20cm dal terreno, accendete la macchina e con un movimento alternato da destra a sinistra avanzate lentamente mantenendo di fronte a voi le foglie o i detriti accumulati (Fig. E4).

Regolazione di soffiatura (GW225/GW250) (Fig. E5)

- Posizione A - velocità di soffiatura massima.
- Posizione B - la regolazione della velocità di soffiatura avviene tra le posizioni A e C. Per effettuare la regolazione premete la ghiera come illustrato e fate scorrere avanti o indietro il regolatore fino ad ottenere la velocità desiderata. Al termine rilasciate la ghiera per bloccare.
- Posizione C - velocità di soffiatura minima.
- Dopo aver formato una pila di foglie/detriti, potete convertire l'utilizzo della macchina in aspiratore per raccogliarli.

Rimozione del tubo di soffiatura/ aspirazione (Fig. F)

- Spegnete la macchina e staccate la spina dalla presa elettrica (se vi trovate nella funzione "aspirazione", rimuovete il sacchetto).
- Per scollegare il tubo dal corpo motore, premete il pulsante di rilascio come illustrato (Fig. F1) facendo attenzione a non far cadere il tubo.
- Il pulsante di rilascio non potrà essere premuto se l'interruttore si trova nella posizione anteriore di "On".

Aspiratore (Fig. E & F)

- Assicuratevi che la macchina sia spenta e scollegata dalla rete elettrica.
- Montate il tubo come precedentemente descritto sotto il punto "Soffiatore" (Fig. E1 e Fig. E3).

Interruttore on/off (Fig. C)

- L'interruttore (2) è posizionato sull'impugnatura del corpo motore.
- Per accendere la macchina, premete in avanti l'interruttore.
- L'interruttore non funzionerà se il pulsante di rilascio (3) è premuto.
- Per spegnere, spingete indietro l'interruttore.

Serracavo (Fig. D)

- Un serracavo è incorporato nella parte posteriore del corpo motore.
- Per fissare il cavo, formate un anello nel cavo ed inserite come mostrato in.

Per collegare il sacchetto raccoglitore alla macchina:

F

- Allineate gli intagli che si trovano sul raccordo del sacchetto con le scanalature della presa dell'aspiratore (fig. F2).
- Fate scivolare il raccordo del sacchetto nella presa dell'aspiratore e stringete il raccordo (fig. F3).
- Inserire la parte anteriore del sacco raccoglifoglie nel fermaglio posto sul lato inferiore del tubo aspiratore (Fig. F4).
- Usando la fascia di nylon collocare la parte posteriore del sacco raccoglifoglie sopra il labbro ubicato sul retro della testa (Fig. F5 & F6).
- Assicurarsi che la chiusura lampo del sacchetto sia chiusa prima di mettere in funzione l'apparecchio (Fig. F5).
- Posizionare il tubo leggermente al di sopra delle foglie/detriti. Accendere l'apparecchio, quindi, con un movimento circolare i detriti/foglie verranno aspirati nel tubo, tritati e gettati nel sacco raccoglifoglie (Fig. F7).
- Mano a mano che il sacco si riempie, la potenza di aspirazione diminuirà; spegnere l'apparecchio e staccare la spina dalla presa di corrente.
- Per estrarre il sacchetto, sganciatelo usando la maniglia di nylon, come illustrato (fig. F6), e allentate il raccordo. Aprite il sacchetto e svuotatelo prima di continuare (fig. F9).

Montaggio della ruota per aspirazione del soffiatore (Fig. G) (solo modelli K)

- Staccare la spina dell'apparecchio dalla presa di corrente prima di montare la ruota.

Nota: Da usare solo nel modo aspirazione.

- Posizionare la mola sul tubo aspiratore.

G

Ricerca di malfunzionamento



Prima di eseguire ogni operazione, staccate la spina dalla presa elettrica.

La macchina non funziona

- (1) Controllate il collegamento alla presa elettrica.
- (2) Controllate che il tubo sia correttamente collegato al corpo motore.

Scarsa aspirazione/ suono acuto

- (1) Spegnete la macchina, staccate la spina dalla presa, eventuali detriti potrebbero cadere fuori dal tubo.

- (2) Smontate e svuotate il sacchetto raccoglitore.
- (3) Controllate che l'entrata e l'uscita del tubo siano libere da detriti.
- (4) Rimuovete eventuali detriti dalla zona della ventola.
- (5) Se nonostante gli interventi il difetto permanesse, scollegate immediatamente la spina dalla presa e contattate il vostro rivenditore o centro di assistenza.

Scarsa triturazione

- (1) spegnete la macchina - staccate la spina dalla presa e smontate il sacchetto raccoglitore.
- (2) smontate il tubo e controllate la ventola.
- (3) rimuovete eventuali detriti dalle pale della ventola.
- (4) se la ventola fosse rotta o danneggiata non utilizzate la macchina e contattate il vostro rivenditore o centro di assistenza.

Pulizia della vostra macchina



Prima di eseguire ogni operazione di pulizia o manutenzione, staccate la spina dalla presa elettrica. Tenete sempre asciutta la macchina. Non spruzzatela mai con acqua.

- Pulite regolarmente la vostra macchina.
- Rimuovete tutte le foglie che si attaccassero all'interno del tubo.
- Le parti plastiche possono essere pulite utilizzando un sapone neutro ed un panno inumidito con acqua calda.



Non utilizzate mai alcun tipo di detergente, solvente o altro prodotto che contenga agenti chimici che potrebbero danneggiare seriamente la plastica.

- La vostra macchina utilizza cuscinetti auto-lubrificanti. Quindi non è necessaria alcuna lubrificazione.

Protezione dell'ambiente



Black & Decker offre ai suoi clienti la possibilità di riciclare i prodotti Black & Decker che hanno esaurito la loro vita di servizio. Il servizio viene offerto gratuitamente. Per utilizzarlo, è sufficiente restituire il prodotto a qualsiasi tecnico autorizzato, incaricato della raccolta per conto dell'azienda.

Per individuare il tecnico autorizzato più vicino, rivolgersi alla sede Black & Decker locale, presso il recapito indicato nel presente manuale.

Altrimenti un elenco completo di tutti i tecnici autorizzati Black & Decker e i dettagli completi sui contatti e i servizi post-vendita sono disponibili su Internet presso: **www.2helpU.com**.

Garanzia

Certa della qualità dei suoi prodotti, Black & Decker offre una garanzia eccezionale. Il presente certificato di garanzia è complementare ai diritti statutari e non li pregiudica in alcun modo. La garanzia è valida entro il territorio degli Stati membri dell'Unione Europea e dell'EFTA (European Free Trade Area).

Se un prodotto Black & Decker risulta difettoso per qualità del materiale, della costruzione o per mancata conformità entro 24 mesi dalla data di acquisto, Black & Decker garantisce la sostituzione delle parti difettose, provvede alla riparazione dei prodotti se ragionevolmente usurati oppure alla loro sostituzione, in modo da ridurre al minimo il disagio del cliente a meno che:

- Il prodotto non sia stato destinato ad usi commerciali, professionali o al noleggio;
- Il prodotto non sia stato usato in modo improprio o scorretto;
- Il prodotto non abbia subito danni causati da oggetti o sostanze estranee oppure incidenti;
- Il prodotto non abbia subito tentativi di riparazione non effettuati da tecnici autorizzati né dall'assistenza Black & Decker.

Per attivare la garanzia è necessario esibire la prova comprovante l'acquisto al venditore o al tecnico autorizzato. Per individuare il tecnico autorizzato più vicino, rivolgersi alla sede Black & Decker locale, presso il recapito indicato nel presente manuale. Altrimenti un elenco completo di tutti i tecnici autorizzati Black & Decker e i dettagli completi sui contatti e i servizi post-vendita sono disponibili su Internet presso: **www.2helpU.com**.

Altri utensili di giardinaggio

La Black & Decker ha una gamma completa di utensili per il giardinaggio che rende semplice la vita in giardino. Se desiderate ulteriori informazioni sui seguenti prodotti, vi preghiamo di contattare il nostro Centro D'Informazione e Manutenzione (vedere la pagina degli indirizzi alla fine di questo libretto d'istruzioni) od il vostro rivenditore Black & Decker.

Tosatori a lame o a catena

Motoseghe

Scope elettriche

Tosasiepi a batteria

Tagliasiepi a batteria

Tosasiepi

Tosaerba

Rastrelli

Sramatori

Biotrituratori

Non tutti i prodotti sono disponibili in tutti i paesi.

Dichiarazione CE di conformità

GW200/GW225/GW250/GW254

Black & Decker dichiara che questi utensili sono stati costruiti in conformità a:

98/37/CEE, 89/336/CEE, 73/23/CEE,
EN 55014, EN 55104, EN 60335,

2000/14/CEE, Sfiatatoio foglieame / collettore
≤ 9,5 m³/min, Annex V

Livello di rumorosità, dati ricavati in base alla
norma 2000/14/CEE:

L _{DA}	(rumorosità)	dB(A)	90
L _{WA}	(potenza sonora)	dB(A)	103
L _{WA}	(garantito)	dB(A)	105

Il valore medio quadratico ponderato
dell'accelerazione secondo EN 50144:
< 2,5 m/s²

Brian Cooke

Direttore di Ricerca e Sviluppo
Spennymoor, County Durham DL16 6JG,
United Kingdom
12-06-2002

Herzlichen Glückwunsch

Mit Ihrem Kauf des Black & Decker Systems haben sie ein Produkt gekauft, welches Ihnen problemloses Laubsaugen ermöglicht.

GW200 - Mastervac

Saugen ✓ Häcksein ✓

GW225

Saugen ✓ Häcksein ✓ Stufenlos regelbares Gebläse ✓

GW250 - Mastervac 123

Saugen ✓ Häcksein ✓ Stufenlos regelbares Gebläse ✓

GW254

Saugen ✓ Häcksein ✓ Flexibles Rohrgebläse ✓

Die Laubsauger haben viele Eigenschaften, die für eine einfache und gute Handhabung sorgen:

- Der kraftvolle Motor bläst die Luft und saugt/häcksel.
- Die einzigartige 5-Blatt-Turbine häcksel das Laub und verringert den Abfall auf 1/7 des ursprünglichen Volumens.
- Die einzigartige Gebläse-Einrichtung des Saugrohres mit variabel regelbarem Gebläse (GW250, GW225).
- Einzigartiges flexibles Rohrgebläse bietet mehr Komfort und Kontrollierbarkeit (GW254).
- Ergonomisches Design für bessere Bedienerfreundlichkeit und Komfort.
- Der große Durchmesser des Saugrohres garantiert ein Maximum an Saugleistung.
- 35 Großes Fangsackvolumen.

Beschreibung (Abb. A)

A Nachstehend eine Liste derjenigen Teile, die in dieser Bedienungsanleitung erwähnt werden und in den Abbildungen gezeigt werden:

GW200

1. Handgriff
2. Ein-/Ausschalter
3. Entriegelungsschalter
4. Oberer Teil des Saugrohres
5. Unterer Teil des Saugrohres
9. Tragegurt
10. Fangsack
11. Kabel-Zugentlastung

GW225

1. Handgriff
2. Ein-/Ausschalter
3. Entriegelungsschalter
4. Oberer Teil des Saugrohres
5. Unterer Teil des Saugrohres
6. Oberer Blasrohr
7. Unterer Blasrohr
8. Gebläse-Regulierung
11. Kabel-Zugentlastung
12. Fangsack

GW250

1. Handgriff
2. Ein-/Ausschalter
3. Entriegelungsschalter
4. Oberer Teil des Saugrohres
5. Unterer Teil des Saugrohres
6. Oberer Blasrohr
7. Unterer Blasrohr
8. Gebläse-Regulierung
9. Tragegurt
10. Fangsack
11. Kabel-Zugentlastung

GW254 (siehe auch Abb. B3)

1. Handgriff
2. Ein-/Ausschalter
3. Entriegelungsschalter
4. Oberer Teil des Saugrohres
5. Unterer Teil des Saugrohres
6. Oberer Blasrohr
9. Tragegurt
10. Fangsack
11. Kabel-Zugentlastung
13. Rohrgebläse - Mitte
14. Rohrgebläse - unten
15. Verriegelungsknopf
16. Rohrgebläse - flexibles Stück

Geräteinformation



Bitte lesen Sie diese Bedienungsanleitung und beachten Sie alle empfohlenen Sicherheitshinweise vor und während des Arbeitens mit Ihrem Laubsauger. Halten Sie Ihr Werkzeug immer in gutem Zustand.

Machen Sie sich mit den Funktionen Ihres Black & Decker Laubsaugers vertraut und versichern Sie sich, daß Sie das Gerät im Notfall schnell stoppen können.

Bitte bewahren Sie diese Bedienungsanleitung gut auf, damit Sie auch zukünftig etwas nachlesen können.

Sicherheitshinweise

Bitte lesen Sie alle Hinweise, bevor Sie das Gerät benutzen!

Training

- Halten Sie genügend Sicherheitsabstand, während Sie sich im Blasmodus befinden.
- Erlauben Sie niemals Kindern oder Personen, die mit einem solchen Maschinentyp nicht vertraut sind oder diese Betriebsanleitung nicht gelesen haben, den Betrieb des Laubsaugers.



- Halten Sie andere Personen, insbesondere Kinder oder Haustiere von dem laufenden Gerät fern. Sie selbst sind dafür verantwortlich, daß kein Unfall geschieht - Halten Sie o.g. Personen wenigstens 6 Meter von Ihrem Arbeitsgebiet fern.
- Beachten Sie, daß der Bediener für Unfälle oder Gefahren, die vom Gerät auf andere Personen oder deren Eigentum ausgehen, verantwortlich ist.
- Der Laubsauger ist ausschließlich für Wechselstrombetrieb geeignet.
- Schließen Sie das Gerät nur an einer Steckdose an, niemals an einer Lampenfassung.
- Tragen Sie Ihr Gerät niemals am Kabel und reißen Sie bitte nicht am Kabel.
- Halten Sie das Kabel von scharfen Kanten, heißen Oberflächen und Öl fern. Überprüfen Sie den Zustand des Kabels vor Gebrauch und benutzen Sie es nicht, sofern es beschädigt ist.

Vorbereitung

- Bedienen Sie das Gerät nicht barfuß oder in offenen Sandalen.

- Tragen Sie immer festes Schuhwerk oder Stiefel um Ihre Füße zu schützen - frisch geschnittenes Gras ist feucht und rutschig. Schuhe aus Gummi oder handgearbeitete Schuhe erhöhen die Sicherheit.



- Tragen Sie beim Arbeiten mit dem Gebläse immer eine Schutzbrille oder entsprechende Sicherheitsgläser.
- Bei starker Staubentwicklung empfiehlt sich das Tragen einer entsprechenden Schutzmaske.
- Tragen Sie einen Lärmschutz, sobald der Lärmpegel des Arbeitens unangenehm wird.
- Tragen Sie lange Hosen zum Schutz Ihrer Beine.



Warnung: Langes Haar hochstecken, damit es nicht länger als schulterlang ist. Lose sitzende Kleidung, Krawatten, Quasten und herabhängende Riemen von Öffnungen und beweglichen Teilen fernhalten.

- Das Stromkabel sollte regelmäßig auf Zeichen von Schäden oder Verschleiß überprüft werden und nur in gutem Zustand verwendet werden.
- Überzeugen Sie sich vor Arbeitsbeginn immer vom einwandfreien Zustand Ihres Gerätes.
- Arbeiten Sie nicht mit Ihrem Laubsauger, wenn irgendwelche Geräteteile defekt oder abgenutzt sind.
- Saugen Sie keine glimmenden Teile wie beispielsweise Zigarettenkippen ein.
- Arbeiten Sie mit Ihrem Gerät niemals in explosiver oder gasgefüllter Atmosphäre, da bei Elektromotoren üblicherweise beim Betrieb Funken entstehen und dadurch Brände ausgelöst werden können.
- Erlauben Sie keinen Personen, die diese Bedienungsanleitung nicht gelesen haben oder noch unter 16 Jahren sind die Benutzung des Gerätes.
- Beachten Sie. Im Falle eines Unfalles sind Sie verantwortlich!

Bedienung

- Benutzen Sie Ihren Laubsauger nicht als Sauggerät, ohne daß Sie vorher das Saugrohr und den Laubfangsack montiert haben.



Schalten Sie das Gerät immer aus und ziehen Sie den Netzstecker, wenn:

- Sie das Gerät von der Blasfunktion auf die Saugfunktion umbauen.

- Das Netzkabel beschädigt wurde oder sich verwickelt hat.
- Sie Ihren Laubsauger unbeaufsichtigt liegen lassen.
- Sie das verstopfte Rohr reinigen wollen.
- Sie das Gerät kontrollieren, säubern oder an der Maschinearbeiten wollen.
- Bitte halten Sie Augen und Ohren fern von der Ausblas- bzw. Ansaugöffnung.
- Benutzen Sie Ihren Laubsauger nicht im Regen und achten Sie darauf, daß er nicht naß wird. Verzichten Sie auf Gebrauch des Laubsaugers in nassem Gras.
- Benutzen Sie das Gerät nur bei Tageslicht oder sehr hellen künstlichen Lichtverhältnissen.
- Bei eingeschaltetem Gerät im Blas-/Saugmodus keine Kieswege oder Straßen überqueren.
- Achten Sie immer darauf, daß Sie sicher stehen und nicht das Gleichgewicht verlieren - vor allem dann, wenn Sie an Hanglagen arbeiten.
- Saugen Sie keine Materialien ein, die mit einer entflammaren Flüssigkeit (Beispiel: Benzin) getränkt sind oder mit einer solchen in Berührung geraten sein könnten.
- Legen Sie keine losen Gegenstände in die Öffnungen des Gerätes. Benutzen Sie das Gerät nie, wenn die Öffnungen durch solche Teile blockiert sind. Halten Sie die Öffnungen frei von Haaren, Fussein, Staub oder ähnlichem, was die Saug- bzw. die Blaseleistung Ihres Gerätes reduzieren könnte.



Achtung! Halten Sie sich bei der Benutzung Ihres Laubsauger immer an die Hinweise der Bedienungsanleitung. Ihr Laubsauger ist so konstruiert, daß er in aufrechter Position benutzt werden kann - der Gebrauch in jeder anderen Position kann Verletzungen nach sich ziehen. Schalten Sie das Gerät niemals an, während es auf der Seite oder auf dem Kopf liegt.

Pflege/Instandhaltung

- Bewahren Sie Ihren Laubsauger stets an einem trockenem Ort außerhalb der Reichweite von Kindern auf.
- Benutzen Sie keine scharfen Reinigungs- oder Lösungsmittel, da diese die Plastikteile des Gerätes angreifen könnten. Verwenden Sie zur Reinigung lediglich ein feuchtes Tuch.

- Halten Sie die Rohre des Gerätes mit einem stumpfen Kratzer sauber, so ist die optimale Leistungsstärke gewährleistet. Ziehen Sie immer den Netzstecker bevor Sie mit der Reinigung beginnen.
- Arbeiten Sie nicht mit Ihrem Laubsauger, wenn irgendwelche Geräteteile defekt oder abgenutzt sind. Entfernen Sie alle schadhaften Teile und ersetzen sie diese durch neue, bevor Sie mit Ihrer Arbeit beginnen.
- Ziehen Sie sämtliche Schrauben, Muttern und Bolzen fest, um sicherzustellen, daß Ihr Gerät in sicherem Arbeitszustand ist.
- Verwenden Sie nur Black & Decker Original-Ersatz- und Zubehöerteile.



Achtung! Wenn das Stromkabel beschädigt ist, muß es sofort durch ein Spezialkabel oder durch ein Originalteil, erhältlich bei Black & Decker ersetzt werden.

Steckertyp	B&D Ersatzteilnummer
Euro	370017-02
Schweiz	370017-03

Black & Decker legt großen Wert auf kontinuierliche Verbesserung seiner Produkte und behält sich daher das Recht zur Produktverbesserung vor.

Doppelisolierung



Ihr Laubsauger ist doppelt isoliert. Das bedeutet, daß alle außenliegenden Metallteile von der Stromversorgung isoliert sind. Dies wird dadurch erreicht, daß eine Isolationschicht zwischen elektrische und mechanische Teile gebracht wird. Diese Doppelisolierung garantiert Ihnen größtmögliche Sicherheit - ein zusätzliches Erden ist nicht mehr erforderlich.

Montage des Gerätes (Abb. B + F)

Saugfunktion (Fig. B1)



- Die Saugrohre müssen vor Gebrauch montiert werden.
- Zum einfacheren Zusammenbau tragen Sie auf die Verbundflächen eine Seifenwasserlösung auf.

- Stecken Sie den Feststellschaft auf das obere (4) und untere (5) Rohr.
- Beide Teile fest zusammenschieben, bis die Klemme in das Formteil einrastet. (Niemals unmontiert in Betrieb nehmen).
- Im Interesse der Sicherheit sollten die Rohre, nachdem sie zusammengesetzt wurden, nicht auseinandergenommen werden.

Montage des Gebläserohrs (Abb. B2)

- Die Gebläserohre müssen vor dem Einsatz zusammengesetzt werden.
- Die Rohre gleiten leichter übereinander, wenn der Verbindungsbereich mit einer Seifenlösung bestrichen wird.
- Markierungsstreifen am oberen (6) und unteren (7) Rohr übereinander ausrichten.
- Beide Rohre fest ineinanderschieben, bis die Klammer einrastet (Gerät unbedingt nur mit zusammengesetzten Rohren einsetzen!).
- Aus Sicherheitsgründen sollten die Rohre nach dem Zusammenbau nicht mehr auseinandergenommen werden.

Rohrgebläse (GW254) (Abb. B3)

- Bringen Sie das untere Rohr (14) über dem mittleren Rohr (13) an, bis der Verriegelungsknopf (15) einrastet.
- Richten Sie die Kreuzmarkierung am montierten Rohrgebläse mit der Kreuzmarkierung am oberen Rohrgebläse (6) aus.
- Setzen Sie das montierte Rohrgebläse in das obere Rohrgebläse ein, und drehen Sie es, damit es einrastet.
- Als Alternative kann das flexible Stück (16) zwischen dem oberen Rohrgebläse und dem montierten Rohrgebläse eingesetzt werden. Mit dem flexiblen Stück kann das Gerät leichter und kontrollierter gehandhabt werden.

Tragegurt (GW250) (Fig. B4)

- Befestigen Sie den Tragegurt am Motorgehäuse Ihres Laubsaugers und richten Sie ihn nach Ihrer Körpergröße aus.



Warnung! Der Schulterriemen sollte nur im Saugmodus benutzt werden. Den Schulterriemen niemals im Blasmodus verwenden.

Trageriemen (GW254) (Abb. B5 & B6)

Für den Gebrauch in der Saug-Betriebsart oder Blas-Betriebsart unter Verwendung des flexiblen Rohrs.

- Bringen Sie die kleine Schlaufe über dem T-Handgriff an.
- Stellen Sie die große Schlaufe auf den Anwender ein.
- Das Gerät kann nun über die Schulter gehängt und wie angegeben bedient werden.

Sammelbeutel (GW225) (Abb. F8)

- Den Sammelbeutel mit Hilfe der Bajonettbefestigung am Saugauslaß anbringen.

F

Betriebsschalter (Abb. C)

C

- Der Betriebsschalter Ihres Laubsaugers (2) befindet sich am Handgriff des Gerätes.
- Zum Einschalten des Gerätes, schieben Sie den Schalter nach vorne.
- Der Schalter läßt sich nicht bedienen, wenn der Sicherheitsschalter (3) niedergedrückt wird.
- Um das Gerät auszuschalten, schieben Sie den Schalter nach hinten.

Kabel-Zugentlastung (Abb. D)

D

- Eine Kabelhalterung befindet sich an der Unterseite des Handgriffes.
- Um das Kabel zu befestigen, formen Sie eine Schlinge mit dem Kabel und stecken Sie es wie in Abb. D abgebildet ein.

Arbeitshinweise (Abb. E)

Tragen Sie bei der Benutzung des Gerätes immer eine Schutzbrille. Sobald Sie mit großer Staubentwicklung arbeiten, sollten Sie zusätzlich eine entsprechende Maske tragen.

Blasfunktion (GW250/GW254)

- Schalten Sie das Gerät aus und ziehen Sie den Netzstecker.

E

- Befestigen Sie das Blasrohr (6) wie in Abb. E1 gezeigt am Handgriff (1). Drehen Sie dann die Schutzabdeckung im Uhrzeigersinn bis Sie durch ein klickendes Geräusch hörbar einrastet (Abb. E2).
- Halten Sie das Blasrohr etwa 20cm über dem Boden, schalten Sie das Gerät ein und schwingen Sie damit leicht von einer Seite zur anderen. Schreiten Sie langsam vorwärts, indem Sie das gesammelte Laub vor sich hertreiben (Abb. E4).

Blaskontrolle (GW225/GW250) (Abb. E5)

- Position A - Maximale Blaugeschwindigkeit.
- Position B - Die Blaskontrolle kann eingestellt werden zwischen den Positionen A und C. Dafür drücken Sie die Taste wie dargestellt und stellen die gewünschte Luftgeschwindigkeit durch vor- oder zurückführen des Schiebeschalters ein. Danach lassen Sie die Taste wieder los.
- Position C - Minimale Blaugeschwindigkeit.
- Sobald Sie die Blätter zu einem Haufen zusammengeblasen haben, können Sie auf die Saugfunktion umstellen, um das Laub einzusaugen.

Entfernen des Blas-/Saugrohres (Abb. F)

F

- Schalten Sie das Gerät aus und ziehen Sie den Netzstecker. (Wenn Sie sich im Saugmodus befinden, entfernen Sie vorher bitte den Fangsack).
- Um das Rohr vom Handgriff abzunehmen, drücken Sie den Entriegelungsschalter wie dargestellt (Abb. F1). Achten Sie darauf, daß das Rohr nicht zu Boden fällt.
- Der Entriegelungsschalter läßt sich nicht niederdrücken, wenn der Ein-/Ausschalter auf "AN" steht.

Saugfunktion (Abb. E + F)

E

- Schalten Sie das Gerät aus und ziehen Sie den Netzstecker.
- Stecken Sie das Saugrohr in der oben bei der Blaugfunktion beschriebenen Art und Weise auf (Abb. E1 & Abb. E3).

F

Montage des Fangsackes an das Gerät:

- Richten Sie die Nocken am Fangsackanschluß mit den Schlitten an der Saugöffnung aus (Abb. F2).
- Setzen Sie den Fangsackanschluß auf die Saugöffnung und drehen Sie den Anschluß fest (Abb. F3).
- Vorderseite des Fangsacks an der Klammer unten am Saugrohr befestigen (Abb. F4).
- Das hintere Ende des Fangsacks mit Hilfe des Nylonfadens über die (hinten am Motorkopf befindliche) Lasche ziehen (Abb. F5 und Abb. F6).

- Vor dem Einsatz des Geräts sicherstellen, daß der Reißverschluss am Fangsack zugezogen ist (Abb. F5).
- Das Saugrohr in geringer Höhe über die Blätter, Zweige und anderen organischen Abfälle halten. Das Gerät einschalten und mit einer Schwenkbewegung die Blätter und Abfälle in das Rohr aufsaugen, wo sie gehäckselt und in den Fangsack geworfen werden (Abb. F7).
- Mit Füllen des Fangsacks nimmt die Saugkraft ab. Gerät ausschalten und den Netzstecker aus der Steckdose ziehen.
- Zum Entfernen des Fangsacks verwenden Sie den Kunststoff-Handgriff gemäß Abb. F6 und lösen den Anschluß. Öffnen Sie den Reißverschluss und entleeren Sie den Fangsack, bevor Sie weiterarbeiten (Abb. F9).

Befestigen der Stützrolle (Abb. G) (Nur Modelle der K-Reihe)

- Vor Anbringen des Rades den Netzstecker aus der Steckdose ziehen.

Hinweis: Nur für den Saugmodus.

- Stützrolle auf das Saugrohr setzen.

G

Fehlersuche



Ziehen Sie vor jeglicher Wartung zuerst den Netzstecker.

Fehlerhafte Funktion des Laubsaugers

- (1) Überprüfen Sie die Stromverbindung.
- (2) Überprüfen Sie, daß der Aufsatz des Rohres richtig auf dem Handgriff angebracht ist.
- (3) Sobald die Düse weiterbiäst - ziehen Sie bitte den Netzstecker und nehmen Sie Kontakt mit unseren Zentral-kundendienst auf.

Geringe Saugleistung/ Hoher Heulton

- (1) Schalten Sie das Gerät ab und ziehen Sie den Netzstecker. Das aufgesaugte Laub sollte vollständig aus dem Rohr fallen.

- (2) Entfernen und leeren Sie den Fangsack.
- (3) Überprüfen Sie, daß sowohl die inneren als auch die äußeren Öffnungen des Saugrohres leer sind.
- (4) Entfernen Sie jeglichen Schmutz vom Gebläse.
- (5) Sollte die geringe Saugleistung dennoch fortbestehen, ziehen Sie bitte sofort den Netzstecker und nehmen Sie Kontakt mit unserem Zentralkundendienst auf.

Geringe Häckselleistung

- (1) Schalten Sie bitte das Gerät ab und ziehen Sie den Netzstecker. Nehmen Sie dann bitte den Fangsack ab.
- (2) Nehmen Sie das Saugrohr ab und überprüfen Sie das Gebläse.
- (3) Entfernen Sie jeglichen Schmutz von der Turbine.
- (4) Wenn das Gebläse zerbrochen oder beschädigt ist, stoppen Sie bitte sofort Ihre Arbeit und nehmen Sie Kontakt mit unseren Zentralkundendienst auf.

Reinigung Ihrer Maschine



Ziehen Sie bitte vor jeder Reinigung oder Wartung den Netzstecker. Halten Sie Ihre Maschine trocken. Besprühen Sie das Gerät niemals mit Wasser.

- Reinigen Sie Ihre Maschine bitte regelmäßig.
- Entfernen Sie die Blätter, die an der Innenseite des Rohres kleben.
- Plastikteile können Sie mit einer milden Seife und einem feuchten heißen Tuch reinigen.



Verwenden Sie bitte keinerlei Lösungsmittel oder Reinigungsmittel, die Chemikalien enthalten, welche die Plastikteile beschädigen könnten.

- Ihre Maschine enthält Schmiermittel, daher ist eine zusätzliche Verwendung von Schmiermitteln nicht nötig.

Umweltschutz



Black & Decker nimmt Ihre ausgedienten Black & Decker Geräte gern zurück und sorgt für eine umweltfreundliche Entsorgung. Diese Dienstleistung ist für Sie kostenlos. Um diese Dienstleistung in Anspruch zu nehmen, geben Sie das Gerät bitte bei einer autorisierten Reparaturwerkstatt ab, die für uns die Einsammlung übernimmt.

Die Adresse des zuständigen Büros von Black & Decker finden Sie in dieser Anleitung, darüber läßt sich die nächstgelegene Vertragswerkstatt ermitteln. Außerdem ist eine Liste der Vertragswerkstätten und aller Kundendienststellen von Black & Decker sowie der zuständigen Ansprechpartner im Internet zu finden unter: www.2helpU.com.

Garantie

Black & Decker vertraut auf die Qualität der eigenen Geräte und bietet dem Käufer eine außergewöhnliche Garantie. Diese Garantiezusage versteht sich unbeschadet der gesetzlichen Gewährleistungsansprüche und schränkt diese keinesfalls ein. Sie gilt in sämtlichen Mitgliedsstaaten der Europäischen Union und der Europäischen Freihandelszone EFTA.

Tritt innerhalb von 24 Monaten ab Kaufdatum an einem Gerät von Black & Decker ein auf Material- oder Verarbeitungsfehler zurückzuführender Mangel auf, garantiert Black & Decker den Austausch defekter Teile, die Reparatur von Geräten mit üblichem Verschleiß bzw. den Austausch eines mangelhaften Geräts, ohne den Kunden dabei mehr als unbedingt nötig in Anspruch zu nehmen, allerdings vorbehaltlich folgender Ausnahmen:

- wenn das Gerät gewerblich, beruflich oder im Verleihgeschäft benutzt wurde;
- wenn das Gerät mißbräuchlich verwendet oder mit mangelnder Sorgfalt behandelt wurde;
- wenn das Gerät durch irgendwelche Fremdeinwirkung beschädigt wurde;
- wenn ein unbefugter Reparaturversuch durch anderes Personal als das einer Vertragswerkstatt oder des Black & Decker-Kundendienstes unternommen wurde.

Zur Inanspruchnahme dieser Garantie ist dem Verkäufer bzw. der Vertragswerkstatt ein Kaufnachweis vorzulegen. Die Adresse des zuständigen Büros von Black & Decker steht in dieser Anleitung, darüber läßt sich die nächstgelegene Vertragswerkstatt ermitteln. Außerdem ist eine Liste der Vertragswerkstätten und aller Kundendienststellen von Black & Decker sowie der zuständigen Ansprechpartner im Internet zu finden unter: www.2helpU.com.

Weitere Gartengeräte

Black & Decker bietet ein großes Sortiment an Gartengeräten an, die die Gartenarbeit erheblich erleichtern. Für nähere Informationen zu den folgenden Geräten wenden Sie sich bitte an den Black & Decker Kundendienst (Adresse hinten in dieser Anleitung) oder an Ihren Händler.

Rasentrimmer	Kettensägen
Akku-Strauchscheren	Akku-Grasscheren
Heckenscheren	Rasenmäher
Rasenlüfter	Laubsauger
Häcksler	

Nicht alle Produkte sind in allen Ländern erhältlich.

DEUTSCH

EU-Konformitätserklärung

GW200/GW225/GW250/GW254

Black & Decker erklärt hiermit, daß diese Geräte entsprechend folgenden Richtlinien und Normen konzipiert wurden:

98/37/EWG, 89/336/EWG, 73/23/EWG,
EN 55014, EN 55104, EN 60335,

2000/14/EWG, Laubgebläse/Sammler
≤ 9,5 m³/min, Anhang V

Höhe des Schalldrucks, gemessen nach
2000/14/EWG:

L _{PA}	(Schalldruck)	dB(A) 90
L _{WA}	(Schalleistung)	dB(A) 103
L _{WA}	(garantiert)	dB(A) 105

Gewichteter Effektivwert der Beschleunigung nach
EN 50144: < 2,5 m/s²



Brian Cooke

Director of Engineering
Spennymoor, County Durham DL16 6JG,
United Kingdom
12-06-2002

GW200/225/250/254 Notice d'utilisation

Félicitations

Votre acquisition du puissant aspirateur-broyeur GW200/225/250 de Black & Decker va faciliter la tâche de nettoyage de votre jardin.

GW200 - Mastervac

Aspirateur ✓ Broyeur ✓

GW225

Aspirateur ✓ Broyeur ✓ Souffleur
(vitesse variable) ✓

GW250 - Mastervac 123

Aspirateur ✓ Broyeur ✓ Souffleur
(vitesse variable) ✓

GW254

Aspirateur ✓ Broyeur ✓ Tuyau flexible soufflant ✓

Ce produit possède de nombreuses spécificités dont:

- Un puissant moteur soufflant aspirant et broyant.
- Un système exclusif de rotor à 5 lames qui réduit les débris de 7 à 1.
- Un unique variateur de souffle sur le tube souffleur pour augmenter la puissance de souffle (GW250, GW225).
- Unique tuyau flexible soufflant permettant un meilleur confort et un meilleur contrôle (GW254).
- Des grandes poignées conçues pour le confort et la facilité d'utilisation.
- Un tube d'aspiration à large ouverture pour optimiser la collecte des feuilles.
- Un sac collecteur de 35 litres.

Description (Fig. A)

A Voici les éléments que vous retrouverez dans le manuel et qui sont illustrés sur les schémas:

GW200

1. Bloc moteur
2. Interrupteur marche/arrêt
3. Bouton de verrouillage du nez
4. Partie haute du tube d'aspiration
5. Partie basse du tube d'aspiration
9. Sangle de soutien
10. Sac collecteur de déchets
11. Dispositif serre- câble

GW225

1. Bloc moteur
2. Interrupteur marche/arrêt

3. Bouton de verrouillage du nez
4. Partie haute du tube d'aspiration
5. Partie basse du tube d'aspiration
6. Partie haute du tube souffleur
7. Partie basse du tube souffleur
8. Bague de souffle variable
11. Dispositif serre- câble
12. Sac collecteur de déchets

GW250

1. Bloc moteur
2. Interrupteur marche/arrêt
3. Bouton de verrouillage du nez
4. Partie haute du tube d'aspiration
5. Partie basse du tube d'aspiration
6. Partie haute du tube souffleur
7. Partie basse du tube souffleur
8. Bague de souffle variable
9. Sangle de soutien
10. Sac collecteur de déchets
11. Dispositif serre- câble

GW254 (voir aussi fig. B3)

1. Bloc moteur
2. Interrupteur marche/arrêt
3. Bouton de verrouillage du nez
4. Partie haute du tube d'aspiration
5. Partie basse du tube d'aspiration
6. Partie haute du tube souffleur
9. Sangle de soutien
10. Sac collecteur de déchets
11. Dispositif serre- câble
13. Tuyau soufflant - moyen
14. Tuyau soufflant - inférieur
15. Bouton de blocage
16. Tuyau soufflant – pièce souple

Familiarisez - vous avec votre machine



Lisez cette notice avec attention, observez scrupuleusement toutes les instructions de sécurité. Maintenez votre produit en bon état de marche.

Familiarisez-vous avec le contrôle de votre machine et surtout assurez-vous que vous savez l'arrêter en cas d'urgence.

Conservez cette notice et tous les autres documents fournis.

Instructions de sécurité

Lisez toutes les instructions avant utilisation.

Important: N'aspirez jamais sans le sac collecteur.



- Lorsque vous utilisez la machine en mode souffleur, veillez à garder une distance de sécurité importante.

Connexion électrique

- Votre machine est conçue pour fonctionner exclusivement sur secteur en courant alternatif, n'essayez en aucune façon d'utiliser une autre source. Le voltage est indiqué sur la plaque signalétique.

Câble électrique

- Le câble doit être contrôlé régulièrement et utilisé seulement s'il est en parfait état.
- Ne transportez jamais votre machine par le câble et ne tirez pas dessus pour débrancher. Maintenez le câble à l'écart des angles coupants ou de surfaces surchauffées.

Vêtements

- Portez impérativement des lunettes de protection.



Attention! Attachez les cheveux longs de façon à ce qu'ils ne dépassent pas le niveau des épaules. Tenez les vêtements amples, les cravates, les lanières et les brides à l'écart des ouvertures et des pièces mobiles.

Utilisation de la machine

- Assurez-vous toujours que la machine est en parfait état de marche.
- N'utilisez votre machine que dans les conditions indiquées dans ce manuel.
- Ne travaillez pas si une pièce de la machine est défectueuse ou si les conditions de sécurité ne sont pas remplies.
- Ne portez pas les sorties ou entrées d'air de la machine près de vos yeux ou de vos oreilles en l'utilisant.
- Ne pas utiliser en mode aspirateur lorsque le capot de la turbine n'est pas en place.
- Assurez-vous de votre équilibre, ne faites pas de trop grands pas.



- N'aspirez pas les matières brûlantes telles que les mégots de cigarettes.
- N'utilisez pas l'aspirateur dans une atmosphère gazeuse ou explosive, le moteur créant naturellement des étincelles, cela peut être dangereux.
- Ne travaillez pas sous la pluie ou avec un produit humide.
- Ne travaillez qu'en plein jour.
- Ne traversez pas les chemins ou routes couvertes de graviers alors que la machine est en marche ou lorsqu'elle est en mode soufflerie/aspiration.
- N'autorisez pas l'utilisation de la machine aux personnes de moins de 16 ans ou n'ayant pas lu la présente notice.
- N'aspirez pas des produits qui peuvent être imbibés par des liquides inflammables tels que l'essence.
- N'autorisez pas aux tierces personnes et animaux de s'approcher de la machine lorsque vous l'utilisez. Vous seriez responsable de tout accident pouvant survenir.
- N'utilisez pas le mode aspiration sans avoir préalablement mis en place le tube d'aspiration et le sac collecteur.
- Eteignez et débranchez toujours l'appareil lorsque: vous transformez le souffleur en aspiration, le câble est endommagé ou emmêlé, vous vous éloignez de la machine, vous vérifiez, ajustez, nettoyez ou travaillez sur votre machine.



Attention! Utilisez toujours votre machine de la manière indiquée dans ce manuel. Votre machine est conçue pour fonctionner dans un mouvement allant du haut vers le bas.

Ne l'utilisez pas d'une autre manière, cela pourrait entraîner des accidents. Ne mettez jamais la machine en marche lorsqu'elle est couchée par terre ou sur le côté ou dans toute position impropre à travailler.

Maintenance de la machine

- Lorsque vous nettoyez votre machine, n'utilisez pas de solvant qui pourrait endommager les pièces en plastique. Utilisez simplement un chiffon humide.
- Stockez votre machine dans un endroit sec hors de portée des enfants.

- Pour plus de sécurité et d'efficacité, nettoyez régulièrement la turbine à l'aide d'un grattoir émoussé.
- N'essayez pas de réparer votre machine. Toute opération doit être effectuée par le Service Après Vente de Black & Decker.
- N'utilisez que des pièces de rechange d'origine Black & Decker.
- Vous pouvez vous procurer des ventilateurs de remplacement auprès d'un agent de service Black & Decker.
- Enfoncer fermement les deux parties ensemble jusqu'à ce que le clips soit engagé (ne jamais faire fonctionner l'appareil avec les tubes séparés).
- Pour des raisons de sécurité, les tubes ne sont pas prévus pour être séparés après l'assemblage.

Tuyau soufflant (GW254) (Fig. B3)

- Placez le tuyau inférieur (14) sur le tuyau du milieu (13) à fond, jusqu'à ce que le bouton de blocage (15) émette un "clac".
- Alignez la croix de repère sur le tuyau soufflant monté, la croix étant placée sur le tuyau soufflant supérieur (6).
- Insérez le tuyau soufflant monté dans le tuyau soufflant supérieur et faites-le tourner pour le mettre en place.
- La pièce souple (16) peut aussi être installée entre le tuyau soufflant supérieur et le tuyau soufflant monté. Avec la pièce souple, l'ensemble est plus facile à utiliser et à contrôler.

Montage de la sangle de soutien (GW250) (Fig. B4)

- Fixez la sangle de soutien en haut du bloc moteur si nécessaire et ajustez-la à votre convenance.

Attention! La bride doit uniquement être utilisée en mode d'aspiration. N'utilisez jamais la bride en mode soufflage.

Montage de la bande de transport (GW254) (Fig. B5 & B6)

À utiliser en mode soufflerie ou aspiration.

- Placez la petite boucle au-dessus de la poignée en T.
- Réglez la grande boucle selon la taille de l'utilisateur.
- Vous pouvez maintenant porter l'appareil à l'épaule et vous en servir comme illustré.

Sac de ramassage (GW225) (Fig. F8)

- Attachez le sac de ramassage à la prise d'air, à l'aide du raccord à baïonnette.



F

Interrupteur de mise en marche (Fig. C)

- L'interrupteur marche/arrêt est situé sur la poignée du bloc moteur (2).
- Pour mettre en marche, poussez l'interrupteur vers l'avant.
- L'interrupteur ne fonctionne pas si le bouton de verrouillage du nez (3) n'est pas enclenché.

Double isolation



Votre machine possède une double isolation. Cela signifie que toutes les parties métalliques extérieures sont isolées de l'alimentation électrique. Cela implique une meilleure sécurité et ne rend pas nécessaire une connexion à la terre; La politique de Black & Decker étant d'améliorer continuellement la qualité des produits, nous nous réservons le droit de modifier les caractéristiques du produit par rapport à la notice. Tous les outils de Black & Decker sont conformes aux règlements en vigueur concernant les interférences radio et TV.

Assemblage (Fig. B & F)

Utilisation en aspirateur (Fig. B1)

B

- Le tube d'aspiration doit être mis en place avant utilisation.
- Pour faciliter le montage, appliquez une solution d'eau savonneuse à la zone du raccord.
- Alignez les ergots de montage des tubes l'un sur l'autre.
- Poussez les deux pièces fermement ensemble jusqu'à ce que l'attache soit engagée, comme le détail moulé. (N'utilisez jamais l'appareil lorsqu'elles sont séparées.)
- Pour des raisons de sécurité, la conception de l'appareil ne prévoit pas la séparation des tubes après le montage.

Assemblage des tubes de soufflage (Fig. B2)

- Les tubes de soufflage doivent être assemblés ensemble avant l'emploi.
- Pour faciliter l'assemblage, appliquer une solution d'eau savonneuse sur la zone d'assemblage.
- Aligner les rainures de positionnement sur les tubes supérieur (6) et inférieur (7).

- Pour éteindre, poussez l'interrupteur vers l'arrière.

Blocage du câble (Fig. D)

D

- Un système de blocage du câble se trouve à l'arrière du bloc moteur.
- Pour fixer le câble, insérez-le dans l'encoche et faites une boucle comme l'indique le schéma.

Utilisation (Fig. E)

Portez toujours des lunettes de protection. Si vous êtes dans une atmosphère poussiéreuse, mettez un masque protecteur.

Utilisation en souffleur (GW250/GW254)

E

- Assurez-vous que la machine soit débranchée.
- Fixez le tube souffleur sur le bloc moteur comme l'indique la Fig. E1 puis enclenchez le bouton de verrouillage au dessus (Fig. E2).
- Tenez le nez du tuyau à environ 20cm du sol, mettez en marche la machine et faites un mouvement de balancier latéral. Avancez doucement en poussant les feuilles et débris devant vous (Fig. E4).

Bague de souffle variable (GW225/GW250) (Fig. E5)

- Position A: Vitesse de soufflage maximale.
- Position B - La bague de souffle peut aller de la position A à la position C. Pour cela, abaissez la bague de souffle et faites-la glisser en avant ou en arrière pour obtenir la vitesse de souffle désirée. Ensuite, relâchez la bague pour verrouiller.
- Position C: Vitesse de soufflage minimale.
- Une fois que vous avez un tas de feuilles et débris, transformez le souffleur en aspirateur.

Utilisation en aspirateur (Fig. E & F)

F

- Eteignez et débranchez l'appareil.
- Otez le tube souffleur, appuyez sur le bouton de verrouillage (Fig. F1) en s'assurant que le tube ne tombe pas au sol.
- Le bouton de verrouillage ne se désenclenche pas tant que l'appareil est en fonctionnement.

E

- Fixez le tube d'aspiration comme l'indique la Fig. E1 pour la mise en place du tube souffleur.

Pour fixer le sac:

F

- Alignez les encoches sur le raccord du sac avec les fentes de la sortie d'aspiration (fig. F2).
- Placez le raccord du sac sur la sortie d'aspiration et serrez le raccord (fig. F3).
- Placer l'avant du sac de recueillement dans le clips sous le tube d'aspiration (Fig. F4).
- En utilisant la bande en nylon, placer l'arrière du sac de recueillement par dessus la lèvre située à l'arrière du bloc moteur (Fig. F5 & F6).
- S'assurer que la fermeture éclair du sac est fermée avant l'emploi (Fig. F5).
- Placer le tube légèrement au-dessus des débris/feuilles. Mettre l'appareil en marche puis en utilisant un mouvement de vas-et-vient, les débris/feuilles seront aspirés dans le tube, déchiquetées et envoyés dans le sac de recueillement (Fig. F7).
- Tandis que le sac se remplit, la puissance de l'aspiration diminuera, éteindre l'appareil et le débrancher du secteur.
- Pour enlever le sac, détachez-le à l'aide de la poignée en nylon comme indiqué (fig. F6) et déserez le raccord. Ouvrez le sac et videz-le avant de continuer (fig. F9).

Mise en place de la roue de l'aspirateur souffleur (Fig. G) (modèles K uniquement)

- Débrancher l'appareil du secteur avant de placer la roue.

Nota: A utiliser en mode aspirateur uniquement.

G

- Placer la roue sur le tube d'aspiration.

Recherche de panne



Débranchez avant tout entretien ou réparation. Si votre machine ne fonctionne pas correctement, utilisez le tableau suivant pour repérer le problème.

La machine ne se met pas en marche

- (1) Vérifiez le branchement électrique.
- (2) Vérifiez que le tube souffleur/d'aspiration soit correctement fixé au bloc moteur.
- (3) Si la prise est endommagée, débranchez immédiatement et consultez votre centre de service après-vente.

L'aspiration est faible/sifflement aigu

- (1) Eteignez et débranchez, des débris devraient tomber du tube.
- (2) Enlevez et videz le sac collecteur.
- (3) Vérifiez que l'arrivée et la sortie du tube ne soient pas obstruées.
- (4) Si le problème subsiste, débranchez et consultez votre centre de service après-vente.

Le broyage est faible

- (1) Eteignez, débranchez et enlevez le sac collecteur.
- (2) Enlevez le tube d'aspiration et inspectez la turbine.
- (3) Nettoyez les débris sur les lames de la turbine.
- (4) Si la turbine est endommagée, consultez votre centre de service après-vente.

Maintenance de la machine



Débranchez avant tout entretien ou nettoyage de la machine.

- Nettoyez régulièrement votre machine.
- Enlevez toutes les feuilles bloquées à l'intérieur du tube d'aspiration.
- Nettoyez les pièces en plastique à l'aide d'un savon doux et d'un chiffon humide (eau chaude).



N'utilisez pas de solvant, ni détergent qui pourraient endommager les pièces en plastique.

- Les lames sont auto-lubrifiantes donc aucune lubrification n'est nécessaire.

Protection de l'environnement



Black & Decker fournit un dispositif permettant de recycler les produits Black & Decker lorsqu'ils ont atteint la fin de leur cycle de vie. Ce service est gratuit. Pour pouvoir profiter de ce service, veuillez retourner votre produit à un réparateur agréé qui se chargera de le collecter pour nous.

Pour connaître l'adresse du réparateur agréé le plus proche de chez vous, contactez le bureau Black & Decker à l'adresse indiquée dans ce manuel. Vous pourrez aussi trouver une liste des réparateurs agréés de Black & Decker et de plus amples détails sur notre service après-vente sur le site Internet à l'adresse suivante : www.2helpU.com.

Garantie

Black & Decker est confiant dans la qualité de ses produits et vous offre une garantie très étendue. Ce certificat de garantie est un document supplémentaire et ne peut en aucun cas se substituer à vos droits légaux. La garantie est valable sur tout le territoire des États Membres de l'Union Européenne et de la Zone de Libre Echange Européenne.

Si un produit Black & Decker s'avère défectueux en raison de matériaux en mauvaises conditions, d'une erreur humaine, ou d'un manque de conformité dans les 24 mois suivant la date d'achat, Black & Decker garantit le remplacement des pièces défectueuses, la réparation des produits usés ou cassés ou remplace ces produits à la convenance du client, sauf dans les circonstances suivantes :

- Le produit a été utilisé dans un but commercial, professionnel, ou a été loué.
- Le produit a été mal utilisé ou avec négligence.
- Le produit a subi des dommages à cause d'objets étrangers, de substances ou à cause d'accidents.
- Des réparations ont été tentées par des techniciens ne faisant pas partie du service technique de Black & Decker.

Pour avoir recours à la garantie, il est nécessaire de fournir une preuve d'achat au vendeur ou à un réparateur agréé. Pour connaître l'adresse du réparateur agréé le plus proche de chez vous, contactez le bureau Black & Decker à l'adresse indiquée dans ce manuel. Vous pourrez aussi trouver une liste des réparateurs agréés de Black & Decker et de plus amples détails sur notre service après-vente sur le site Internet à l'adresse suivante : www.2helpU.com.

Autres outils de jardinage

Black & Decker propose une gamme complète d'outils de jardinage facilitant l'entretien du jardin. Si vous souhaitez obtenir de plus amples renseignements sur les produits suivants, veuillez contacter notre Centre de Service et d'Information (voir la page d'adresse à la fin de ce manuel) ou vous adresser à votre revendeur Black & Decker le plus proche.

Tronçonneuses

Cisaille à gazon sans fil

Coupes bordures

Tailles-haies à fil ou sans fil

Tondeuses

Aspirateur / souffleur / broyeur

Broyeurs

Aérateur Démousseur

Tous les produits ne sont pas disponibles dans tous les pays.

FRANÇAIS

Déclaration de conformité CE

GW200/GW225/GW250/GW254

Black & Decker déclare que ces outils sont conformes aux normes:

98/37/CEE, 89/336/CEE, 73/23/CEE,
EN 55014, EN 55104, EN 60335,
2000/14/CEE, souffleur / aspirateur
≤ 9,5 m³/min, Annex V

Niveau de pression acoustique, mesuré suivant la norme 2000/14/CEE:

L _{PA}	(pression acoustique)	dB(A)	90
L _{WA}	(puissance acoustique)	dB(A)	103
L _{WA}	(garanti)	dB(A)	105

Niveau de vibration main/bras selon la norme EN 50144: < 2,5 m/s²



Brian Cooke

Directeur du Développement
Spennymoor, County Durham DL16 6JG,
Royaume-Uni
12-06-2002

GW200/225/250/254 Gebruiksaanwijzing

Gefeliciteerd!

Gefeliciteerd met de aankoop van de Black & Decker bladzuiger/bladblazer, welke garant staat voor het probleemloos opruimen van bladeren.

GW200 - Mastervac

Bladeren opzuigen ✓ Versnipperen ✓

GW225

Bladeren opzuigen ✓ Versnipperen ✓ Instelbare ✓
blaasskracht

GW250 - Mastervac 123

Bladeren opzuigen ✓ Versnipperen ✓ Instelbare ✓
blaasskracht

GW254

Bladeren opzuigen ✓ Versnipperen ✓ Flexibele
blaasbuis ✓

Voor optimaal gebruiksgemak is de machine voorzien van:

- Een krachtige motor voor een max. blaascapaciteit en een zuig-/versnippercapaciteit.
- Een unieke 5-bladswaaier voor het versnipperen van bladeren in de verhouding 7:1.
- Een unieke blaaskrachtinstelling op de blaaspijp (GW250, GW225).
- Unieke flexibele buisblazer voor meer grip en comfort (GW254)
- Ergonomisch ontwerp voor optimaal comfort en gebruiksgemak.
- Een ruime zuigopening voor snelle opname van bladeren.
- Een opvangzak met een inhoud van 35 l.

Beschrijving (Fig. A)

A In dit handboek en de bijbehorende illustraties wordt verwezen naar de volgende machine-onderdelen:

GW200

1. Opzuig-/blaaskop
2. Aan/uit-schakelaar
3. Ontgrendelknop
4. Opzuigpijp (boven)
5. Opzuigpijp (onder)
9. Draagriem
10. Opvangzak
11. Snoerclip

GW225

1. Opzuig-/blaaskop
2. Aan/uit-schakelaar
3. Ontgrendelknop
4. Opzuigpijp (boven)
5. Opzuigpijp (onder)
6. Blaaspijp (boven)
7. Blaaspijp (onder)
8. Blaaskrachtinstelling
11. Snoerclip
12. Opvangzak

GW250

1. Opzuig-/blaaskop
2. Aan/uit-schakelaar
3. Ontgrendelknop
4. Opzuigpijp (boven)
5. Opzuigpijp (onder)
6. Blaaspijp (boven)
7. Blaaspijp (onder)
8. Blaaskrachtinstelling
9. Draagriem
10. Opvangzak
11. Snoerclip

GW254 (zie ook fig. B3)

1. Opzuig-/blaaskop
2. Aan/uit-schakelaar
3. Ontgrendelknop
4. Opzuigpijp (boven)
5. Opzuigpijp (onder)
6. Blaaspijp (boven)
9. Draagriem
10. Opvangzak
11. Snoerclip
13. Blaasbuis - midden
14. Blaasbuis - onder
15. Vergrendelingsknop
16. Blaasbuis - flexi-gedeelte

Ken uw machine



Lees dit handboek aandachtig door en neem vóór, tijdens en na het gebruik van de machine alle aanbevolen veiligheids-voorschriften in acht. Onderhoud de machine met zorg.

Maak uzelf vertrouwd met de bedieningsinstrumenten alvorens de machine te gebruiken. Zorg er in de eerste plaats voor dat u weet hoe de machine in geval van nood moet worden gestopt.

Bewaar deze handleiding en alle andere instructies zorgvuldig.

Veiligheidsinstructies

Training



- Houd een veilige werkafstand in acht als u de machine in blaasstand heeft staan.
- Laat de machine nooit bedienen door kinderen of personen die niet met dit type machine of de inhoud van deze handleiding vertrouwd zijn.
- Laat kinderen, andere personen of dieren niet toe in de werkomgeving wanneer u de machine gebruikt; de minimum afstand tot de werkende machine is 6m.
- Degene die de machine bedient is te allen tijde verantwoordelijk voor ongelukken en eventueel gevaar dat andere mensen en hun eigendommen kunnen oplopen.
- Uw machine is uitsluitend ontworpen voor wisselstroom (netspanning) - probeer nooit enige andere krachtbron te gebruiken.
- Sluit uw machine aan op het net en dus nooit op een lichtaansluiting. Wij bevelen een zekering van 10A aan.
- Draag de machine nooit aan het snoer en trek niet aan het snoer. Houd het snoer uit de buurt van warmtebronnen, olie en scherpe randen. Controleer het snoer regelmatig en vervang het in geval van beschadiging.

Vorbereiding

- Bedien de machine nooit blootvoets of wanneer u open sandalen draagt.
- Draag degelijk schoeisel (schoenen met profielzolen of rubberen laarzen) om uw voeten te beschermen; pas gemaaid gras is immers vochtig en glad.
- Draag beschermende kleding. Draag tijdens het werken met de machine in blaasstand een veiligheidsbril ter bescherming van uw ogen.



- Draag een gezichts- of stofmasker indien de werkomgeving stoffig is.
- Neem voorzorgsmaatregelen voor gehoorbescherming wanneer de geluidsdruk tijdens het werken onaangenaam hoog is.
- Draag geschikte werkkleding, waaronder een lange broek ter bescherming van uw benen.



Waarschuwing! Lang haar moet met een elastiekje of speldjes boven de schouders worden gehouden. Losvallende kleding, stropdassen, sierraden en loshangende riemen uit de buurt van de openingen en bewegende onderdelen houden.

- Controleer het snoer regelmatig en vervang het in geval van beschadiging of zichtbare veroudering.
- Controleer de machine vóór gebruik zorgvuldig op beschadigingen om er zeker van te zijn dat deze naar behoren zal functioneren.
- Gebruik de machine nooit wanneer één van de onderdelen defect of versleten is.
- Zuig geen brandende materialen zoals sigarettenpeuken op.
- Gebruik de bladzuiger/bladblazer nooit in een omgeving waar gassen aanwezig zijn of explosiegevaar bestaat. De motor produceert bij normaal gebruik namelijk vonken.
- Laat de machine nooit gebruiken door personen die de leeftijd van 16 jaar nog niet bereikt hebben of die deze handleiding niet hebben gelezen. U bent verantwoordelijk indien er zich een ongeval voordoet.

Bediening

- Gebruik de machine nooit in de opzuigstand wanneer de opzuigpijpen en de opvangzak niet gemonteerd zijn.

Schakel de machine altijd uit en haal altijd de stekker uit het stopcontact wanneer:

- U van de opzuig- naar de blaasstand gaat.
- Het snoer beschadigd of verstrikt is.
- U de machine achterlaat.
- U een obstakel uit de weg gaat ruimen.
- U een controle uit gaat voeren, de machine wilt reinigen of herstellen.
- Zorg dat de opzuiging van de machine tijdens het werken niet vlak bij uw ogen of oren komen.





- Gebruik uw machine niet in de regen en laat de machine niet nat worden. Gebruik de machine niet op nat gras.
- Gebruik uw machine uitsluitend bij daglicht of bij voldoende kunstverlichting.
- Steek geen grindpaden of wegen over als de machine in de blaas/zuigstand aanstaat.
- Zorg altijd voor een juiste, stabiele houding, vooral op hellingen.
- Zuig nooit materialen op die vervuild kunnen zijn met ontvlambare of brandbare vloeistoffen, zoals benzine en gebruik de machine nooit in omgevingen waar deze stoffen aanwezig kunnen zijn.
- Plaats geen voorwerpen in de openingen van de machine. Gebruik de machine nooit wanneer de openingen geblokkeerd zijn. Houd de openingen vrij van haar, lint, stof en andere voorwerpen die de luchtstroom kunnen belemmeren.



Waarschuwing! Gebruik de machine steeds in overeenstemming met de aanwijzingen in deze handleiding. Uw machine is bedoeld om in staande positie te worden gebruikt. Gebruik in een andere positie kan tot ongelukken leiden. Schakel de machine dus nooit in wanneer deze op zijn kant of ondersteboven ligt.

Onderhoud en opslag

- Berg niet in gebruik zijnde elektrische machines op in een droge, afgesloten ruimte, buiten het bereik van kinderen.
- Gebruik geen oplos- of reinigingsmiddelen om uw machine te reinigen. Gebruik een botte schraper om gras en vuil te verwijderen. Haal altijd de stekker uit het stopcontact alvorens de machine te reinigen.
- Gebruik de machine nooit wanneer enig onderdeel defect is; vervang alle defecte delen alvorens de machine te starten.
- Controleer regelmatig of alle moeren, bouten en schroeven goed aangedraaid zijn.
- Gebruik uitsluitend originele Black & Decker onderdelen en accessoires.
- Nieuwe ventilators zijn via het Black & Decker servicecentrum verkrijgbaar.



Waarschuwing! Als het snoer beschadigd is, dient deze te worden vervangen door:

Stekker type **B&D onderdeelnummer**
Euro 370017-02

Het beleid van Black & Decker is erop gericht zijn producten continu te verbeteren. Daarom is het recht voorbehouden de productspecificaties zonder bericht vooraf te wijzigen.

Dubbele isolatie



Uw machine is dubbel geïsoleerd. Dit betekent dat alle externe metalen onderdelen elektrisch gescheiden zijn van de krachtbron door toepassing van een extra isolatielaag tussen de elektrische en mechanische delen. Dubbele isolatie betekent een grotere elektrische veiligheid en maakt aarding van de machine overbodig.

Montage alvorens de machine in gebruik te nemen (Fig. B & F)

Montage van de opzuigpijp (Fig. B1)

- B**
- Monteer beide opzuigpijpen tesamen vóór gebruik.
 - De montage verloopt gemakkelijker als u wat zeepsop op het verbindinggebied aanbrengt.
 - Plaats de markeringsribben op de bovenste (4) en onderste pijp (5) tegenoverelkaar en druk ze stevig aan.
 - Beide onderdelen stevig tegen elkaar aandrukken totdat de klem vastzit, zoals per doorsnede detail. (Nooit afzonderlijk gebruiken.)
 - Deze onderdelen mogen om veiligheidsredenen niet na de montage opnieuw uit elkaar worden gehaald.

Montage van de blaasbuis (Fig. B2)

- De blaasbuis moet voor het gebruik in elkaar gezet worden.
- De montage verloopt gemakkelijker als u wat zeepsop op de verbinding aanbrengt.
- Zet de plaatsingribbeltjes op de bovenste (6) en de onderste (7) buizen op één lijn.
- Druk beide onderdelen stevig tegen elkaar aan totdat de klem vastzit (nooit afzonderlijk gebruiken).
- Deze onderdelen mogen om veiligheidsredenen niet na de montage opnieuw uit elkaar worden gehaald.

Blaasbuis (GW254) (Fig. B3)

- Schuif de onderste buis (14) over de middelste buis (13), totdat de vergrendelingsknop (15) op zijn plaats vastklikt.

- Zet het kruisteken op de blaasbuis in lijn met het kruisteken op de bovenste blaasbuis (6).
- Steek de gemonteerde blaasbuis in de bovenste blaasbuis en draai deze totdat deze op zijn plaats vastklikt.
- Ook kunt u het flexi-stuk (16) tussen de bovenste blaasbuis en het samengestelde gedeelte van de blaasbuis zetten. Met het flexi-gedeelte kunt u de machine beter en gemakkelijker bedienen.

Montage van de draagriem (GW250) (Fig. B4)

- Bevestig de draagriem indien gewenst aan de opzuig-/blaaskop en pas de lengte aan aan de gebruiker.



Waarschuwing! De schouderriem mag alleen tijdens de zuigstand worden gebruikt. De schouderriem nooit tijdens de blaasstand gebruiken.

Draagriem (GW254) (Fig. B5 & B6)

Voor gebruik in de flexi-blaas of de opzuigstand.

- Bevestig de kleine lus over de T-greep.
- Stel de grote lus in naar wens van de gebruiker.
- De machine kan nu over de schouder worden gehangen en worden gebruikt zoals aangegeven.

Opvangzak (GW225) (Fig. F8)

- De opvangzak met behulp van de bajonetting aan de zuiguitlaat vastmaken.

Aan/uit-schakelaar (Fig. C)

C

- De aan/uit-schakelaar (2) bevindt zich op de handgreep van de opzuig-/blaaskop.
- Zet de machine aan door de schakelaar naar voren te schuiven.
- De schakelaar werkt niet wanneer de ontgrendelknop (3) is ingedrukt.
- Zet de machine uit door de schakelaar naar achteren te duwen.

Snoerclip (Fig. D)

D

- Een snoerclip is achter in de opzuig-/blaaskop ingebouwd.
- Maak de verbinding tussen het verlengsnoer en het uitgaande snoertje van de machine.
- Maak een lus in het verlengsnoer en plaats dit in de voorziene snoerclip.

Gebruik van de machine (Fig. E)

Draag steeds een veiligheidsbril wanneer u de machine in de blaas- of opzuigstand gebruikt. Draag ook een gezichts- of stofmasker indien de werkomgeving stoffig is.

Blaasstand (GW250/GW254)

- Controleer of de machine uitgeschakeld is en of de stekker uit het stopcontact is verwijderd.
- Bevestig de blaaspijp (6) op de opzuig-/blaaskop (1) (Fig. E1). Plaats de pijp zoals afgebeeld en draai deze vervolgens totdat de grendel/ontgrendelpal volledig vergrendeld is (Fig. E2).
- Houd de blaaspijp ongeveer 20cm boven de grond. Schakel de machine in en loop rustig van links naar rechts zwaaiend vooruit. Houd het opgehoopte afval- of bladermateriaal daarbij voor u (Fig. E4).

E

Blaaskrachtinstelling (GW225/GW250) (Fig. E5)

- Stand A - Maximale blaassnelheid.
- Stand B - Blaasvermogen instelbaar tussen A en C. Druk hiervoor op de vergrendeling zoals afgebeeld en schuif de hoger/lager-schakelaar in de gewenste stand. Laat de schakelaar los om de machine op de ingestelde snelheid te vergrendelen.
- Stand B - Minimale blaassnelheid.
- Zodra het afval- of bladermateriaal bijeen geblazen is, kunt u de machine in de opzuigstand zetten om het afval op te zuigen.

Verwijderen van de blaas-/opzuigpijp (Fig. F)

- Schakel de machine uit en haal de stekker uit het stopcontact. (Staat de machine in opzuigstand, verwijder dan de opvangzak.)
- Druk de ontgrendelingsknop in zoals afgebeeld (Fig. F1) en zorg ervoor dat de pijp niet op de grond valt.
- De ontgrendelingsknop werkt niet wanneer de aan/uit-schakelaar op "aan" staat.

F

Opzuigstand (Fig. E & F)

E

- Schakel de machine uit en haal de stekker uit het stopcontact.
- Bevestig de opzuigpijp zoals hierboven beschreven voor de blaasstand (Fig. E1 & Fig. E3).

F

Bevestig de opvangzak als volgt:

- Brengen de nokken op de aansluiting van de opvangzak in lijn met de sleuven op de zuiguitlaat (fig. F2).
- Schuif de aansluiting van de opvangzak op de zuiguitlaat en draai de aansluiting vast (fig. F3).
- Zet de voorzijde van de opvangzak in de klem aan de onderzijde van de zuigbuis (Fig. F4).
- Plaats de achterzijde van de opvangzak met behulp van de nylon band over de lip aan de achterzijde van het motorhuis (Fig. F5 & F6).
- Controleer of de rits van de opvangzak dicht zit voordat u het apparaat in werking stelt (Fig. F5).
- Houd de buis enigszins boven de bladeren/takjes. Zet de bladruimer aan en maak een zwaaiende beweging. De bladeren/takjes worden vervolgens de buis ingezogen, versnipperd en in de opvangzak gegooid (Fig. F7).
- Naarmate de opvangzak wordt gevuld, neemt de zuigkracht af. Zet de bladruimer uit en haal de stekker uit het stopcontact.
- Om de opvangzak te verwijderen, gebruikt u de kunststof hendel (fig. F6) en maakt u de aansluiting los. Open de ritsluiting en ledig de opvangzak voordat u verdergaat (fig. F9).

Machine werkt niet

(3) Controleer of de blaas-/opzuigpijp op de juiste wijze gemonteerd is.
(4) Indien de zekering bij herhaling springt, haal dan onmiddellijk de stekker uit het stopcontact en neem contact op met uw dealer of servicedienst.

Zwakke opzuigkracht/ hoog, schel geluid

(1) Schakel de machine uit en haal de stekker uit het stopcontact. Het afval valt dan uit de pijp.
(2) Verwijder en ledig de opvangzak.
(3) Controleer of de in- en uitgangsoopeningen van de pijp vrij zijn.
(4) Verwijder al het afval in en rondom de waaier.
(5) Indien de opzuigkracht zwak blijft, haal dan onmiddellijk de stekker uit het stopcontact en neem dan contact op met uw dealer of servicedienst.

Slechte resultaten bij versnipperen

(1) Schakel de machine uit, haal de stekker uit het stopcontact en verwijder de opvangzak.
(2) Verwijder de opzuigpijp en controleer de waaier.
(3) Verwijder al het afval dat op de waaiermesses ligt.
(4) Indien de waaier gebarsten of beschadigd is, gelieve deze niet langer te gebruiken en contact op te nemen met uw dealer of servicedienst.

Het bevestigen van het wiel aan de bladruimer (Fig. G) (alleen K-modellen)

- Isoleer het product van de electriciteit voordat u het wiel bevestigt.

Let op: Mag alleen in de zuigstand worden gebruikt.

G

- Zet het wiel op de zuigbuis.

Opzoeken van storingen



Schakel de machine uit en haal de stekker uit het stopcontact alvorens onderhoudswerkzaamheden uit te voeren.

Machine werkt niet

- (1) Controleer de netspanning.
- (2) Controleer de zekering en vervang deze indien nodig.

Reiniging van uw machine



Trek de stekker uit het stopcontact voor reiniging of onderhoud. Houd uw machine droog. In geen geval spuiten met water.

- Reinig uw machine regelmatig.
- Verwijder de bladeren die aan de binnenzijde van de opzuigpijp vastzitten.
- De kunststof onderdelen mogen met een mild reinigingsproduct en een met warm water bevochtigde doek gereinigd worden.
- Gebruik geen reinigingsmiddelen op basis van chemicaliën, deze zouden de kunststof delen kunnen beschadigen.



Uw machine heeft zelfsmerende lagers, smeren is niet noodzakelijk.

Milieu



Black & Decker biedt de mogelijkheid tot recyclen van afgedankte Black & Decker producten. Deze service is kosteloos. Om gebruik van deze service te maken, dient u het product aan een van onze servicecentra te sturen, die voor ons de inzameling verzorgen.

U kunt het adres van het dichtstbijzijnde servicecentrum opvragen via de adressen op de achterzijde van deze handleiding. U kunt ook een lijst van onze servicecentra en meer informatie m.b.t. onze klantenservice vinden op het volgende Internet-adres: www.2helpU.com.

Garantie

Black & Decker heeft vertrouwen in zijn producten en biedt een uitstekende garantie. Deze garantiebepalingen vormen een aanvulling op uw wettelijke rechten en beperken deze niet. De garantie geldt in de lidstaten van de Europese Unie en de Europese Vrijhandelsassociatie.

Mocht uw Black & Decker product binnen 24 maanden na datum van aankoop defect raken tengevolge van materiaal- of constructiefouten, dan garanderen wij de kosteloze vervanging van defecte onderdelen, de reparatie van het product of de vervanging van het product, tenzij:

- Het product is gebruikt voor handelsdoeleinden, professionele toepassingen of verhuurdoeleinden;
- Het product onoordeelkundig is gebruikt;
- Het product is beschadigd door invloeden van buitenaf of door een ongeval;
- Reparaties zijn uitgevoerd door anderen dan onze servicecentra of Black & Decker personeel.

Om een beroep op de garantie te doen, dient u een aankoopbewijs te overhandigen aan de verkoper of een van onze servicecentra. U kunt het adres van het dichtstbijzijnde servicecentrum opvragen via de adressen op de achterzijde van deze handleiding. U kunt ook een lijst van onze servicecentra en meer informatie m.b.t. onze klantenservice vinden op het volgende Internet-adres: www.2helpU.com.

NEDERLANDS

Andere machines voor gebruik in de tuin

Black & Decker heeft een compleet assortiment machines die het leven in de tuin vereenvoudigen.

Als u meer informatie over de volgende producten wenst, neemt u dan contact op met ons Service- en Informatiecentrum (zie de adrespagina aan het eind van deze handleiding) of uw plaatselijke Black & Decker dealer.

Strimmers
Kettingzagen
Heggenscharen
Grasmaaiers
Verticuteerders
Bladruimers
Hakselaars

Niet ieder product is verkrijgbaar in alle landen.

EG-verklaring van overeenstemming

GW200/GW225/GW250/GW254

Black & Decker verklaart dat deze elektrische machines in overeenstemming zijn met:

98/37/EEG, 89/336/EEG, 73/23/EEG,
EN 55014, EN 55104, EN 60335,

2000/14/EEG, bladblazer/-zuiger $\leq 9,5 \text{ m}^3/\text{min}$,
Annex V

Niveau van de geluidsdruk, gemeten volgens
2000/14/EEG:

L_{PA} (geluidsdruk)	dB(A)	90
L_{WA} (geluidsvermogen)	dB(A)	103
L_{WA} (gegarandeerd)	dB(A)	105

Gewogen kwadratische gemiddelde waarde van
de versnelling overeenkomstig
EN 50144: $< 2,5 \text{ m/s}^2$

Brian Cooke

Director of Engineering
Spennymoor, County Durham DL16 6JG,
United Kingdom
12-06-2002

GW200/225/250/254

Manual de instrucciones

Enhorabuena

Por haber adquirido su aspirador/soplador de Black & Decker, que le asegura un funcionamiento sin problemas para la recogida de hojas.

GW200 - Mastervac

Aspirador ✓ Triturador ✓

GW225

Aspirador ✓ Triturador ✓ Velocidad de soplado variable ✓

GW250 - Mastervac 123

Aspirador ✓ Triturador ✓ Velocidad de soplado variable ✓

GW254

Aspirador ✓ Triturador ✓ Tubo de soplado flexible ✓

Esta máquina tiene muchas características que le serán de gran utilidad, como:

- Potente motor que sopla el aire, aspira las hojas y las tritura.
- Exclusivo ventilador de 5 aspas que tritura las hojas a una séptima parte, en pequeños trozos.
- Ajuste exclusivo de la velocidad de soplado en el tubo del ventilador (GW250, GW225).
- Tubo soplador flexible especial que proporciona un mayor control y confort (GW254).
- Diseño ergonómico que permite una mayor facilidad de uso.
- Tubo de aspiración ancho para maximizar la entrada de hojas.
- Bolsa de recogida de 35 litros.

Descripción (Fig. A)

A A continuación se incluye una lista de las piezas que se mencionarán en este Manual de Instrucciones, con los números que aparecen en los diagramas:

GW200

1. Motor
2. Interruptor
3. Botón de bloqueo del tubo
4. Tubo superior de aspiración
5. Tubo inferior de aspiración
9. Cinta para colgar
10. Bolsa de recogida
11. Gancho para el cable

GW225

1. Motor
2. Interruptor
3. Botón de bloqueo del tubo
4. Tubo superior de aspiración
5. Tubo inferior de aspiración
6. Tubo superior de soplado
7. Tubo inferior de soplado
8. Control de soplado
11. Gancho para el cable
12. Bolsa de recogida

GW250

1. Motor
2. Interruptor
3. Botón de bloqueo del tubo
4. Tubo superior de aspiración
5. Tubo inferior de aspiración
6. Tubo superior de soplado
7. Tubo inferior de soplado
8. Control de soplado
9. Cinta para colgar
10. Bolsa de recogida
11. Gancho para el cable

GW254 (véase también la fig. B3)

1. Motor
2. Interruptor
3. Botón de bloqueo del tubo
4. Tubo superior de aspiración
5. Tubo inferior de aspiración
6. Tubo superior de soplado
9. Cinta para colgar
10. Bolsa de recogida
11. Gancho para el cable
13. Tubo de soplado - medio
14. Tubo de soplado - inferior
15. Botón de bloqueo
16. Tubo de soplado – pieza flexible

Conozca su máquina



Lea este manual con atención y observe todas las normas de seguridad recomendadas antes, durante y después de usar el aspirador.

Mantenga su máquina en perfecto estado de trabajo.

Instrucciones de seguridad

Formación



- Guarde la distancia de seguridad mientras la máquina esté en posición de soplado.
- No deje nunca que usen esta máquina los niños ni las personas que no estén familiarizadas con ella, ni los que no hayan leído este manual.
- No use la máquina cerca de los niños, otras personas o animales. Procure que estén, como mínimo, a seis metros de su zona de trabajo.
- Recuerde que el operador o usuario es el responsable de los accidentes o riesgos que corran otras personas o sus propiedades.
- Su máquina está diseñada únicamente para enchufarla a la corriente. No la enchufe a otras fuentes de alimentación.
- Enchufe su máquina a un enchufe de fuerza, no a uno normal.
- No lleve nunca su máquina tirando del cable ni tire de él para desenchufarlo. Mantenga el cable alejado de las fuentes de calor, aceite, grasa o filos cortantes. Antes de usar la máquina compruebe el estado del cable y no la use si no está en perfecto estado.

Preparación

- No use su máquina descalzo o con sandalias.
- Para protegerse los pies lleve siempre botas o zapatos fuertes. El césped recién cortado está húmedo y resbaladizo. Lo más seguro es llevar zapatos o botas fuertes de goma.
- Use equipo protector. Procure llevar, siempre que use su máquina, gafas o anteojos de seguridad, cuando la máquina esté en posición de soplado.
- Si cuando usa la máquina se produce polvo, use una mascarilla.
- Si el nivel sonoro de su máquina le resulta incómodo, póngase protectores para los oídos.
- Lleve pantalones largos que le protejan las piernas.



¡Peligro! Cuide que el pelo largo no le caiga más abajo de los hombros. Ropa suelta, corbatas, borlas y correas sueltas no deben aproximarse a orificios ni a partes móviles.

- Inspeccione periódicamente el cable por si presenta síntomas de daños o desgaste y no lo use si no está en perfecto estado.
- Antes de usar su máquina compruebe siempre si está en perfecto estado y todas las piezas están bien sujetas.
- No use su máquina si tiene alguna pieza defectuosa o gastada.
- No aspire con su máquina brasas ni colillas encendidas.
- No use la máquina en atmósferas con gases explosivos o inflamables, pues su motor produce chispas que pueden inflamarnos.
- No deje que usen la máquina niños menores de 16 años u otras personas que no hayan leído este manual de instrucciones. Si se produjera algún accidente, el responsable es usted.

Funcionamiento

- No use el aspirador ni el soplador sin tener bien colocados los tubos y la bolsa de recogida.



Apague siempre su máquina y desenchúfela de la corriente cuando:

- Cambie de soplado a aspiración.
- El cable esté dañado o enredado.
- No la vaya a usar.
- Vaya a limpiar algún estorbo.
- Vaya a comprobarla, ajustarla, limpiarla o revisarla.
- Cuando funcione la máquina, no ponga los tubos de entrada o salida cerca de los ojos u oídos.
- No use su máquina bajo la lluvia ni deje que se moje. Evite usar la máquina con el césped húmedo.
- Use su máquina sólo a la luz del día o con buena luz artificial.
- No atraviese senderos de gravilla ni carreteras con el artefacto encendido ni la máquina encendida en función de soplado/succión.
- Procure mantenerse siempre en equilibrio sobre sus pies, sobre todo en las cuestas.
- No aspire con su máquina materias que puedan contener líquidos inflamables o combustibles como gasolina ni la use en las zonas en que pueda haber estas materias.
- No coloque objetos en las aberturas de la máquina. No use la máquina si las aberturas están bloqueadas.



Limpie los pelos, pelusa, polvo o cualquier otro objeto que obstruya el paso del aire.



¡Peligro! Use siempre su máquina como se indica en este manual. Está diseñada para utilizarla en posición recta. Si la usa en otra posición, puede sufrir accidentes. No use nunca la máquina boca abajo o de lado.

Mantenimiento y almacenaje

- Guarde su máquina cuando no la use en un lugar seco, fuera del alcance de los niños.
- No use disolventes ni líquidos limpiadores para limpiar su máquina. Quite los restos de césped y la suciedad con una espátula poco afilada. Antes de limpiar la máquina desenchúfela siempre de la corriente.
- No use su máquina si alguna pieza está en mal estado. Antes de usarla, tire todas las piezas defectuosas y sustitúyalas por otras nuevas.
- Para mayor seguridad, compruebe siempre si todas las tuercas, pernos y tornillos de su máquina están bien apretados.
- Use sólo recambios y accesorios originales Black & Decker.
- Con un representante autorizado de Black & Decker se puede obtener ventiladores de repuesto.



¡Atención! cuando el cable esté gastado, debe cambiarse inmediatamente por:

Tipo de enchufe	Ref. Black & Decker
Euro	370017-02

Montaje de la máquina antes de usarla (Fig. B & F)

Montaje del tubo de aspiración (Fig. B1)

- El tubo de aspiración se debe ensamblar antes de montarlo.
- Para poder armar la máquina con mayor facilidad, ponga una solución de agua con jabón en el área de las juntas.
- Haga coincidir las ranuras que llevan en la parte superior (4) e inferior (5) del tubo.
- Una ambas partes presionándolas firmemente hasta que se acople el clip, tal como se ve en el detalle moldeado. (No haga funcionar la máquina con sus partes separadas.)
- Por razones de seguridad, **no se debe separar** los tubos una vez que se hayan armado.

Ensamblaje del tubo de soplado (Fig. B2)

- Antes de usar, hay que conectar los tubos de soplado.
- Para facilitar el ensamblaje, aplique agua con jabón al área de unión.
- Alíne las nevaduras de posicionamiento del tubo superior (6) e inferior (7).
- Junte las dos piezas empujando firmemente hasta que encaje el clip (nunca debe hacerse funcionar sin conectar las piezas).
- Para fines de seguridad personal, los tubos no fueron diseñados para poder separarse una vez que se hayan unido.

Conjunto del tubo de soplado (GW254) (Fig. B3)

- Coloque el tubo inferior (14) sobre el tubo medio (13) hasta que el botón de bloqueo (15) haga clic en su posición.
- Alinee la marca de cruz del tubo de soplado montado con la marca de cruz del tubo de soplado superior (6).
- Inserte el tubo de soplado montado dentro del tubo de soplado superior y gírelo para que quede encajado en su posición.
- Por otra parte, la pieza flexible (16) se puede montar entre el tubo de soplado superior y el tubo de soplado montado. Con la pieza flexible, la unidad se puede manejar con mayor facilidad y control.

Montaje de la hombrera (GW250) (Fig. B4)

- Si quiere usar la cinta para transportar su máquina, engánchela en el motor y ajústela a su medida.

La política de Black & Decker es mejorar continuamente sus productos. Por tanto, se reserva el derecho de cambiar sus especificaciones sin previo aviso.

Doble aislamiento



Su máquina lleva doble aislamiento. Eso supone que todas las piezas metálicas externas están aisladas eléctricamente de la corriente. Esto se consigue colocando una barrera aislante extra entre las partes eléctricas y mecánicas de la máquina.

El doble aislamiento supone mayor seguridad eléctrica y evita tener que usar un cable con toma de tierra.



¡Advertencia! La correa del hombro sólo debe usarse en modo de succión. Nunca use la correa en función de soplado.

Conjunto de cinturón de transporte (GW254) (Fig. B5 y B6)

Para su uso en modo de soplador flexible o aspirador.

- Coloque el bucle pequeño sobre el mango en T.
- Ajuste el bucle grande a la medida del usuario.
- Ahora, la unidad puede colgar del hombro y manejarse tal como se muestra.

Saco para el polvo (GW225) (Fig. F8)

- Usando el acoplamiento de bayoneta, conecte el saco para el polvo en la boca de succión.

F

Interruptor (Fig. C)

C

- El interruptor (2) está situado en la empuñadura.
- Para encender la máquina, empuje el interruptor hacia delante.
- Su máquina no funcionará si está apretado el botón de bloqueo del tubo (3).
- Para apagar la máquina, corra el interruptor hacia atrás.

Gancho para el cable (Fig. D)

D

- En la parte posterior del motor hay un gancho para el cable.
- Para meter el cable, enchufe primero la alargadera, haga un bucle con ella y métalo por el gancho como se ve en la Fig. D.

Uso de su máquina (Fig. E)

Cuando use su máquina como soplador o como aspirador, lleve siempre gafas de seguridad. Si prevé que se va a producir polvo, póngase una mascarilla.

E

Soplador (GW250/GW254)

- Compruebe primero si la máquina está apagada y desenchufada de la corriente.
- Monte el tubo (6) en el motor (1) (Fig. E1), colocando el tubo como se ve y haciéndolo girar a un lado y a otro hasta que quede enganchado (Fig. E2).
- Mantenga el tubo a unos 20cm del suelo, ponga en marcha la máquina y, moviéndola suavemente de un lado a otro, vaya empujando las hojas delante de usted en línea recta (Fig. E4).

Control del aire (GW225/GW250) (Fig. E5)

- Posición A: velocidad máxima de soplado.
- Posición B: puede variar la velocidad del aire entre las posiciones A y C. Para ello, pulse la palanca de enganche como se indica y lleve el mando hacia delante/atrás hasta conseguir la velocidad deseada. Suelte la palanca y quedará ajustado el mando.
- Posición B: velocidad mínima de soplado.
- Cuando tenga las hojas o restos del jardín en un montón, pase del modo de soplador al de aspirador para recogerlas.

Desmontaje del tubo soplador/ de aspiración (Fig. F)

F

- Apague su máquina y desenchúfela de la corriente. (Si la máquina está en la posición de aspiración, desmonte la bolsa).
- Para quitar el tubo del motor, empuje el botón que lo sujeta como se ve en la Fig. F1. Sujete el tubo para que no se caiga.
- No podrá empujar el botón que sujeta el tubo si el interruptor está en posición de encendido (hacia delante).

Aspirador (Fig. E & F)

E

- Compruebe primero si la máquina está apagada y desenchufada de la corriente.
- Monte el tubo (6) en el motor (1) como se ha indicado para soplar (Fig. E1 y E3).

F

Para montar la bolsa en la máquina:

- Alinee las hendiduras del acoplador de la bolsa con los rebajes de la salida de aspiración (fig. F2)
- Deslice el acoplador de la bolsa sobre la salida de aspiración y apriete el acoplador (fig. F3)
- Coloque la parte delantera de la bolsa recogedora en el clip que se encuentra en el lado inferior del tubo de aspiración (Fig. F4).

- Utilizando la banda de nylon, coloque la parte trasera de la bolsa recogedora sobre el borde que se encuentra detrás del cabezal eléctrico (Fig. F5 & F6).
- Antes de poner el equipo en marcha, compruebe que el cierre de la bolsa se haya cerrado (Fig. 5).
- Ponga el tubo un poco por encima de los desechos/hojas. Encienda la máquina, y luego con un movimiento de barrido, el tubo recogerá los desechos/hojas aspirándolos, éstos se triturarán y se echan a la bolsa recogedora (Fig. F7).
- A medida que la bolsa se vaya llenando, se reducirá la potencia de la succión. Apague el equipo y desenchúfelo de la red eléctrica.
- Para sacar la bolsa, libérela empleando el mango de nylon tal y como se muestra (fig. F6) y afloje el adaptador. Abra la bolsa y vacíela antes de continuar (fig. F9)

- La máquina aspira poco/silbido agudo**
- (4) Quite los restos que se hayan acumulado en el ventilador.
 (5) Si la máquina sigue aspirando mal, desenchúfela inmediatamente de la corriente y consulte a su proveedor/centro de servicio.

- La máquina tritura mal**
- (1) Apague la máquina, desenchúfela de la corriente y quite la bolsa de recogida.
 (2) Quite el tubo de aspiración e inspeccione el ventilador.
 (3) Limpie las aspas del ventilador.
 (4) Si hay algún aspa rota o rajada, no utilice la máquina. Consulte a su proveedor/centro de servicio.

Limpieza de su aspirador/soplador



Antes de limpiar o revisar su aspirador/soplador, desenchúfelo de la corriente. Mantenga la máquina seca. En ningún caso debe pulverizarla con agua.

- Limpie su aspirador/soplador periódicamente.
- Quite las hojas que hayan quedado pegadas dentro del tubo de aspiración.
- Puede limpiar las partes de plástico con un paño humedecido en agua templada con un jabón suave.



No use ningún tipo de detergente, disolvente o líquido limpiador que puedan contener productos químicos que podrían estropear el plástico.

- Su máquina lleva rodamientos auto-lubricantes, por lo que no necesita lubricación.

Protección del medio ambiente



Black & Decker proporciona facilidades para el reciclado de los productos Black & Decker que hayan llegado al final de su vida útil. Este servicio se proporciona de forma gratuita. Para poderlo utilizar, le rogamos entregue el producto en cualquier servicio técnico autorizado quien se hará cargo del mismo en nuestro nombre.

Pueden consultar la dirección de su servicio técnico más cercano poniéndose en contacto con la oficina local de Black & Decker en la dirección que se indica en este manual. Como alternativa, se puede consultar en Internet, en la dirección siguiente, la lista de servicios técnicos autorizados e información completa de nuestros servicios de postventa y contactos: **www.2helpU.com**.

Modo de instalar la rueda del aspirador-soplador (Fig. G) (modelos K solamente)

- Antes de instalar la rueda, desconecte la máquina de la red eléctrica.

Nota: Para ser usado en modo de aspiración solamente.

G

- Instale la rueda sobre el tubo de aspiración.

Localización de averías



Antes de hacer cualquier inspección de su máquina, desenchúfela de la corriente.

Si la máquina no funciona

- (1) Compruebe si está bien enchufada.
- (2) Compruebe si el tubo de soplado o de aspiración está bien montado en el motor.
- (3) Si pone la máquina en marcha y se funde el enchufe, desenchúfela inmediatamente de la corriente y consulte a su proveedor/centro de servicio.

La máquina aspira poco/silbido agudo

- (1) Apague la máquina y desenchúfela de la corriente. Los restos que haya en el tubo se caerán.
- (2) Quite la bolsa de recogida y vacíela.
- (3) Compruebe si las bocas de entrada y salida del tubo están limpias.

Garantía

Black & Decker confía plenamente en la calidad de sus productos y ofrece una garantía extraordinaria. Esta declaración de garantía es una añadido a, y en ningún caso un perjuicio para, sus derechos estatutarios. La garantía es válida dentro de los territorios de los Estados Miembros de la Unión Europea y de los de la Zona Europea de Libre Comercio.

Si un producto Black & Decker resultara defectuoso debido a materiales o mano de obra defectuosos o a la falta de conformidad, Black & Decker garantiza, dentro de los 24 meses de la fecha de compra, la sustitución de las piezas defectuosas, la reparación de los productos sujetos a un desgaste y rotura razonables o la sustitución de tales productos para garantizar al cliente el mínimo de inconvenientes, a menos que:

- El producto haya sido utilizado con propósitos comerciales, profesionales o de alquiler;
- El producto haya sido sometido a un uso inadecuado o negligente;
- El producto haya sufrido daños causados por objetos o sustancias extrañas o accidentes;
- Se hayan realizado reparaciones por parte de personas que no sean los servicios de reparación autorizados o personal de servicios de Black & Decker;

Para reclamar en garantía, será necesario que presente la prueba de compra al vendedor o al servicio técnico de reparaciones autorizado. Pueden consultar la dirección de su servicio técnico más cercano poniéndose en contacto con la oficina local de Black & Decker en la dirección que se indica en este manual. Como alternativa, se puede consultar en Internet, en la dirección siguiente, la lista de servicios técnico autorizados e información completa de nuestros servicios de postventa y contactos: **www.2helpU.com**.

Otras herramientas de jardinería

Black & Decker cuenta con una amplia gama de herramientas de jardinería para hacerle la vida en el jardín más fácil. Si desea más información sobre los siguientes productos, no dude en ponerse en contacto con nuestro Centro de Servicio e Información (consulte la página de direcciones al final de este manual) o diríjase a su concesionario local de Black & Decker.

Motosierras

Recortabordes

Recortasetos

Cortacéspedes

Escarificadores

Aspiradores-sopladores

Todos los productos no se encuentran disponibles en todos los países.

Declaración CE de conformidad

GW200/GW225/GW250/GW254

Black & Decker certifica que estas herramientas eléctricas han sido construidas de acuerdo a las normas siguientes:

98/37/CEE, 89/336/CEE, 73/23/CEE,
EN 55014, EN 55104, EN 60335,

2000/14/CEE, aspirador-soplador $\leq 9,5 \text{ m}^3/\text{min}$,
Annex V

El nivel de la presión acústica, medida de acuerdo con 2000/14/CEE:

L_{pA}	(presión acústica)	dB(A)	90
L_{WA}	(potencia acústica)	dB(A)	103
L_{WA}	(garantizado)	dB(A)	105

Valor cuadrático medio ponderado en frecuencia de la aceleración según EN 50144: $< 2,5 \text{ m/s}^2$



Brian Cooke

Director de Ingeniería

Spennymoor, County Durham DL16 6JG,
United Kingdom
12-06-2002

GW200/225/250/254

Manual de instruções

Parabéns

A compra do aspirador/soprador da Black & Decker garante-lhe uma limpeza das folhas sem problemas.

GW200 - Mastervac

Aspirar ✓ Cortar ✓

GW225

Aspirar ✓ Cortar ✓ Jacto de ar com velocidade variável ✓

GW250 - Mastervac 123

Aspirar ✓ Cortar ✓ Jacto de ar com velocidade variável ✓

GW254

Aspirar ✓ Cortar ✓ Tubo flexível do soprador ✓

Este aparelho tem muitas funções concebidas para seu benefício, incluindo:

- Motor potente que sopra e aspira/tritura.
- Uma ventoinha com 5 lâminas que corta as folhas em pequenos pedaços numa relação de 7 para 1.
- Um regulador da velocidade de sopro de ar no tubo, que faz variar a velocidade do jacto (GW250, GW225).
- Soprador de tubo flexível único permitindo um maior conforto e controlo (GW254).
- Manípulos grandes concebidos para uma utilização fácil e confortável.
- Tubo de aspiração com abertura grande para maximizar a entrada de folhas.
- Saco de recolha de 35 litros.

Descrição (Fig. A)

A Esta lista de peças é mencionada neste manual de instruções e apresentada nos diagramas:

GW200

1. Bloco do motor
2. Interruptor on/off
3. Botão de fixação/libertação do tubo
4. Tubo de aspiração superior
5. Tubo de aspiração inferior
9. Alça de transporte
10. Saco de recolha
11. Retentor do cabo

GW225

1. Bloco do motor
2. Interruptor on/off
3. Botão de fixação/libertação do tubo
4. Tubo de aspiração superior
5. Tubo de aspiração inferior
6. Tubo de sopro superior
7. Tubo de sopro inferior
8. Controlo de sopro
11. Retentor do cabo
12. Saco de recolha

GW250

1. Bloco do motor
2. Interruptor on/off
3. Botão de fixação/libertação do tubo
4. Tubo de aspiração superior
5. Tubo de aspiração inferior
6. Tubo de sopro superior
7. Tubo de sopro inferior
8. Controlo de sopro
9. Alça de transporte
10. Saco de recolha
11. Retentor do cabo

GW254 (ver também fig. B3)

1. Bloco do motor
2. Interruptor on/off
3. Botão de fixação/libertação do tubo
4. Tubo de aspiração superior
5. Tubo de aspiração inferior
6. Tubo de sopro superior
9. Alça de transporte
10. Saco de recolha
11. Retentor do cabo
13. Tubo do soprador - central
14. Tubo do soprador - inferior
15. Botão de bloqueio
16. Tubo do soprador – peça flexível

Conheça a sua máquina



Leia cuidadosamente este manual, cumprindo todas as precauções de segurança recomendadas antes, durante e depois de utilizar a máquina.

Mantenha a sua máquina em boas condições de funcionamento.

Familiarize-se com os comandos antes de utilizar a máquina, mas acima de tudo, certifique-se de que sabe como parar a máquina em caso de emergência.

Guarde este manual e outra literatura fornecida para futura referência.

Instruções de segurança

Formação

- Mantenha a distância de segurança quando trabalhar com a máquina em modo soprador.
- Não permita a utilização por parte de crianças ou pessoas que não estejam familiarizadas com este tipo de máquina ou por alguém que não tenha lido este folheto.
- Não permita que crianças, animais ou outras pessoas estejam junto da máquina quando estiver em funcionamento. Mantenha sempre uma distância de 6 metros da área de trabalho.
- Não se esqueça que o operador/ utilizador é responsável pelos acidentes ocorridos com outras pessoas ou na sua propriedade.
- A sua máquina foi concebida para utilizar apenas com corrente eléctrica alterna (CA). Não tente utilizar outro tipo de alimentação.
- Ligue a sua máquina a uma tomada de potência. Nunca utilize uma tomada de iluminação.
- Nunca transporte a máquina pelo cabo ou puxe o cabo para separar os conectores. Mantenha o cabo longe de fontes de calor, óleos ou extremidades afiadas. Verifique o estado do cabo antes de utilizar a máquina e não a utilize se o cabo estiver danificado.



Preparação

- Não utilize a sua máquina descalço ou com sandálias abertas.
- Para proteger os seus pés, use sempre sapatos fortes ou botas - a relva cortada recentemente está húmida e escorregadia. Os sapatos de sola ou o calçado artesanal melhoram a sua segurança.
- Utilize equipamento de protecção. Use óculos de protecção durante a utilização a sua máquina.
- Utilize uma máscara se houver poeira.



- Utilize uma protecção de ouvidos se o nível de som for desconfortável durante a utilização da sua máquina.
- Use calças compridas para proteger as suas pernas.



Aviso! Se tiver cabelo comprido, prenda-o até acima dos ombros. Mantenha a roupa larga, laços, adornos e fios pendurados longe de aberturas e peças em movimento.

- O cabo de alimentação de corrente deve ser inspeccionado regularmente para procurar danos ou envelhecimento. Utilize apenas a máquina se o cabo estiver em boas condições.
- Certifique-se sempre de que a sua máquina está em boas condições de segurança e que todas as peças estão apertadas antes de utilizar a máquina.
- Não utilize a máquina se tiver peças gastas ou defeituosas ou não tiver os dispositivos de segurança.
- Não apanhe materiais incandescentes, tais como pontas de cigarros.
- Não utilize o soprador/aspirador numa atmosfera gasosa ou explosiva porque os motores destas ferramentas fiseam normalmente e isto pode inflamar os gases.
- Não permita que o aparelho seja utilizado por pessoas com uma idade inferior a 16 anos ou outras pessoas que não tenham lido este manual de instruções. Você é responsável se houver um acidente.

Funcionamento

- Não utilize o modo de aspiração sem os tubos de aspiração e o saco de recolha correctamente instalados.
- Desligue e remova sempre a ficha da corrente eléctrica quando:
- Alterar de soprador para aspirador.
 - O cabo de alimentação estiver danificado ou embaraçado.
 - Deixar a sua máquina.
 - Desbloquear a máquina.
 - Verificar, ajustar, limpar ou utilizar a sua máquina.
- Não coloque a entrada ou saída do aspirador junto dos olhos ou ouvidos durante a sua utilização.
 - Não utilize a máquina à chuva nem a deixe apanhar humidade. Evite utilizar a máquina em relva molhada.
 - Utilize a sua máquina apenas de dia ou com uma boa iluminação artificial.



- Não atravesse caminhos de gravilha ou estradas, enquanto a máquina estiver a funcionar em modo sopra/aspiração.
- Tenha cuidado com os seus pés, especialmente nas subidas.
- Não apanhe materiais que possam estar contaminados com líquidos inflamáveis ou combustíveis, tais como gasolina nem utilize a máquina em áreas onde estes estejam presentes.
- Não coloque nenhuns objectos nas aberturas. Nunca utilize a máquina se as aberturas estiverem bloqueadas. Mantenha a máquina sem cabelos, fios, poeiras e qualquer coisa que possa reduzir o fluxo de ar.



Aviso! Utilize a máquina sempre da forma descrita neste manual. A sua máquina foi concebida para ser utilizada numa posição vertical. Se for utilizada de outra forma, pode provocar lesões. Nunca utilize a máquina quando estiver deitada ou virada ao contrário.

Manutenção e armazenamento

- Guarde a sua máquina num local seco, quando não for necessária, fora do alcance das crianças.
- Não utilize solventes ou líquidos de limpeza para limpar a máquina - utilize um raspador para remover a relva e a sujidade. Desligue a máquina sempre da corrente eléctrica antes de a limpar.
- Não utilize a máquina se existirem peças defeituosas; retire todas as peças defeituosas e instale peças novas antes de a utilizar.
- Mantenha as porcas e os parafusos apertados de modo a que a máquina esteja em boas condições de segurança.
- Utilize apenas acessórios e peças sobresselentes recomendados pela Black & Decker.
- Ventoínhas sobressalentes encontram-se à sua disposição em qualquer agente Black & Decker.



Aviso! Se o cabo fornecido estiver danificado, deve ser substituído por:

Tipo de ficha	Ref Black & Decker
EURO	370017-02

Isolamento duplo



A sua máquina tem um isolamento duplo. Isto significa que todas as peças metálicas externas estão isoladas electricamente da corrente. Isto é obtido através da colocação de uma barreira de isolamento suplementar entre as peças eléctricas e mecânicas. Isolamento duplo significa mais segurança eléctrica e torna desnecessário a ligação à terra.

Montagem antes de utilizar (Fig. B & F)

Montagem do tubo de aspiração (Fig. B1)



- O tubo de aspiração deve ser montado antes da sua utilização.
- Para facilitar a montagem, aplique um pouco de água com sabão na zona de junção.
- Alinhe as estrias de localização dos tubos superior (4) e inferior (5).
- Pressione ambas as peças até que estas engatem, como especificado na imagem. (Nunca utilize em separado.)
- Por questões de segurança, os tubos não devem ser separados depois de montados.

Montagem do tubo de sopra (Fig. B2)

- Os tubos de sopra deverão ser montados antes da utilização.
- Para facilitar a montagem, aplique uma solução de água e sabão na zona de junção.
- Efectue o alinhamento dos anéis de fixação nos tubos superiores (6) e inferiores (7).
- Pressione ambas as peças até que o encaixe seja efectuado (nunca utilize a máquina se a operação não for bem sucedida).
- Para garantir a segurança, os tubos não deverão ser separados, depois de encaixados.

Conjunto do tubo do soprador (GW254) (Fig. B3)

- Coloque o tubo inferior (14) sobre o tubo central (13), até que o botão de bloqueio (15) faça clique.
- Alinhe a marca em forma de cruz no tubo do soprador colocado com a marca em forma de cruz do tubo superior (6).
- Insira o tubo do soprador colocado no tubo superior e rodeo para o bloquear.

A Black & Decker tem uma política de melhoria contínua dos seus produtos. Por essa razão, reservamos o direito de alterar as especificações do produto sem aviso prévio.

- Alternativamente, a peça flexível (16) pode ser colocada entre o tubo superior e o tubo do soprador. Com a peça flexível, a unidade pode ser manuseada com mais facilidade e maior controlo.

Montagem da alça de transporte (GW250) (Fig. B4)

- Coloque a alça de transporte no bloco do motor, se necessário e ajuste às necessidades do utilizador.



Aviso! A correia de tiracolo apenas deve ser utilizada em modo de aspiração. Nunca utilize a correia em modo de sopro.

Conjunto da alça de transporte (GW254) (Fig. B5 & B6)

Para utilizar no modo de sopro flexível ou vácuo.

- Coloque a presilha pequena por cima do manípulo em forma de T.
- Ajuste a presilha grande conforme necessário.
- A unidade já pode ser colocada no ombro e manuseada como mostrado.

Saco de recolha (GW225) (Fig. F8)

- Coloque o saco de recolha na saída de aspiração, utilizando a junção em forma de baioneta.

Interruptor on/off (Fig. C)

C

- O interruptor on/off (2) está localizado no manípulo do bloco do motor.
- Para ligar a máquina, empurre o interruptor para a frente.
- O interruptor não funciona se estiver a carregar no botão de fixação/libertação do tubo (3).
- Para desligar, puxe o interruptor para trás.

Retentor do cabo (Fig. D)

D

- O retentor do cabo está montado na parte traseira do bloco de potência.
- Para fixar o cabo, introduza a extremidade da tomada do cabo de extensão na tomada forme um circuito no cabo e introduza como se mostra na.

Utilizar a sua máquina (Fig. E)

Quando utilizar a máquina como soprador ou aspirador, use sempre óculos de segurança. Se utilizar a máquina em locais com muita poeira, use uma máscara anti-poeira.

Modo de sopro (GW250/GW254)

- Não se esqueça de desligar a máquina e de retirar o cabo de alimentação da tomada de corrente.
- Ligue o tubo de sopro (6) à cabeça (1) (Fig. E1) através da localização do tubo como ilustrado, depois rode à volta deste ponto até que o gancho de libertação/bloqueio fique completamente engatado (Fig. E2).
- Segure o tubo de ejeção a cerca de 18cm do chão, ligue a máquina e utilizando um modo circular de lado a lado, avance devagar, mantendo os resíduos/folhas à sua frente (Fig. E4).

Regulação do sopro (GW225/GW250) (Fig. E5)

- Posição A - Velocidade máxima de sopro.
- Posição B - O controlo de fluxo pode variar entre as posições A e C. Para efectuar isto, carregue no trinco e faça deslizar o controlo para a frente/para trás para obter a velocidade de ar pretendida e depois liberte o trinco para fixá-la.
- Posição C - Velocidade mínima de sopro.
- Assim que soprar os resíduos/folhas para uma pilha, pode converter para o modo de aspiração para recolher os resíduos.

Remoção do tubo de aspiração/sopro (Fig. F)

F

- Desligue a máquina e remova o cabo de alimentação da tomada de corrente (retire o saco de recolha).
- Para retirar o tubo do bloco do motor, carregue no botão de libertação como se mostra na (Fig. F1), certificando-se de que o tubo não cai no chão.
- O botão de fixação do tubo não funciona se o interruptor on/off estiver na posição on.

Modo de aspiração (Fig. E & F)

E

- Certifique-se de que a máquina está desligada da corrente.
- Ligue o tubo de aspiração como descrito previamente para o modo de sopro de ar (Fig. E1 e Fig. E3).

F

Para instalar o saco na máquina:

- Alinhe os cortes localizados no encaixe do saco com as reentrâncias que se encontram na saída de aspiração (fig. F2).
- Deslize o encaixe do saco sobre a saída de aspiração e prima-o (fig. F3).
- Coloque a zona dianteira do saco de recolha no dispositivo de fixação que se encontra debaixo do tubo de aspiração (Fig. F4).
- Utilizando a tira de nylon coloque a traseira do saco de recolha sobre a ranhura que se encontra na zona traseira da cabeça (Fig. F5 e Fig. F6).
- Certifique-se de que o saco se encontra fechado antes de utilizar a máquina (Fig. F5).
- Coloque o tubo ligeiramente acima dos detritos/folhas. Ligue a máquina e desloque o tubo lentamente. Os detritos/folhas serão sugados pelo tubo, retalhados e colocados no saco de recolha (Fig. F7).
- À medida que o saco enche, a potência de sucção diminui. Desligue a máquina e retire a ficha da tomada.
- Para retirar o saco, solte-o com a alça de nylon conforme o mostrado (fig. F6) e libere o encaixe. Abra o saco e esvazie-o antes de continuar (fig. F9).

Aspiração deficiente/ ruído intenso

- (1) Desligue a máquina da corrente, os resíduos devem cair do tubo.
- (2) Remova e esvazie o saco de recolha.
- (3) Verifique se as portas de entrada e de saída do tubo de aspiração estão limpas.
- (4) Remova os resíduos da ventoinha.
- (5) Se a aspiração deficiente continuar, desligue imediatamente a máquina da corrente e consulte o centro de assistência ou reparador local.

Aspiração deficiente/ ruído intenso

Trituração deficiente

- (1) Desligue a máquina da corrente e remova o saco de recolha.
- (2) Remova o tubo de aspiração e inspeccione a ventoinha.
- (3) Limpe os resíduos das lâminas da ventoinha.
- (4) Se a ventoinha estiver partida ou danificada, consulte o centro de assistência ou reparador local.

Colocação da roda no blower vac (Fig. G) (apenas modelos K)

- Desligue a tomada da máquina antes de colocar a roda.

Nota: Para ser utilizado apenas em modo de aspiração.

- Coloque a roda no tubo de aspiração.

G

Deteção de avarias



Desligue a máquina da corrente eléctrica antes de efectuar qualquer tipo de manutenção.

- Falha de funcionamento**
- (1) Verifique a ligação à corrente eléctrica.
 - (2) Verifique a ficha.
 - (3) Verifique se a montagem do tubo está feita correctamente no bloco.
 - (4) Se persistir a avaria, consulte o centro de assistência B&D ou o reparador autorizado mais próximo.

Limpeza



Desligue a máquina da corrente antes de efectuar qualquer limpeza ou manutenção. Mantenha a sua máquina seca. Não deite água sobre a máquina em nenhuma circunstância.

- Limpe regularmente a sua máquina.
- Remova as folhas presas que se encontrem dentro do tubo de aspiração.
- As peças plásticas podem ser limpas com sabão e um pano embebido em água quente.



Não utilize qualquer tipo de detergente, produto de limpeza ou dissolvente que contenha químicos que possam danificar o plástico.

- A máquina utiliza rolamentos com lubrificação própria, por isso, não é necessário lubrificá-los.

Protecção do meio ambiente



A Black & Decker oferece facilidades para a reciclagem de produtos Black & Decker uma vez que os mesmos tenham alcançado o final de suas vidas úteis. Este serviço é fornecido sem encargos.

Para utilizá-lo, devolva seu produto a qualquer agente de reparo autorizado, que se encarregará de recolher o equipamento em nosso nome.

Para verificar a localização do agente de reparo mais próximo de si, contacte o escritório local da Black & Decker no endereço indicado neste manual. Se preferir, consulte a lista de agentes autorizados da Black & Decker e os dados completos de nossos serviços de atendimento pós-venda na Internet no endereço:
www.2helpU.com.

Garantia

A Black & Decker confia na qualidade de seus produtos e oferece um programa de garantia excelente. Esta declaração de garantia soma-se a seus direitos legais e não os prejudica em nenhum aspecto. A garantia será válida nos territórios dos Estados Membros da União Europeia e na Área de Livre Comércio da Europa.

Caso algum produto da Black & Decker apresente avarias devido a defeitos de material, mão-de-obra ou ausência de conformidade no prazo de 24 meses a partir da data de compra, a Black & Decker garantirá a substituição das peças defeituosas, a reparação dos produtos que foram submetidos a uso adequado e remoção ou substituição dos mesmos para assegurar o mínimo de inconvenientes ao cliente a menos que:

- O produto haja sido utilizado para fins comerciais, profissionais ou locação;
- O produto haja sido submetido a uso incorrecto ou descuido;
- O produto haja sofrido danos causados por objectos estranhos, substâncias ou acidentes;
- Haja histórico de reparos efectuados por terceiros que não sejam os agentes autorizados ou profissionais de manutenção da Black & Decker.

Para accionar a garantia, será necessário enviar a prova de compra ao revendedor ou agente de reparo autorizado. Para verificar a localização do agente de reparo mais próximo de si contacte o escritório local da Black & Decker no endereço indicado neste manual. Se preferir, consulte a lista de agentes autorizados da Black & Decker e os dados completos de nossos serviços de atendimento pós-venda na Internet no endereço:
www.2helpU.com.

PORTUGUÊS

Outras ferramentas para jardim

A Black & Decker possui uma grande variedade de ferramentas que facilitam o trabalho no jardim. Se desejar obter mais informações sobre os produtos a seguir mencionados, contacte o nosso Serviço a Clientes (veja a página de endereços no final deste manual) ou contacte o revendedor local da Black & Decker.

Aparadores
Electrosserras
Tesoura de relva
Corta-sebes
Corta-relvas
Vassouras para relvado
Aspiradores de folhas
Trituradores

Nem todos os produtos estão disponíveis em todos os países.

Declaração de conformidade

GW200/GW225/GW250/GW254

A Black & Decker declara que estas ferramentas foram concebidas em conformidade com:

98/37/CEE, 89/336/CEE, 73/23/CEE,
EN 55014, EN 55104, EN 60335,

2000/14/CEE, soprador/aspirador de folhas
≤ 9,5 m³/min, Annex V

Nível de potência sonora, medido de acordo
com a 2000/14/CEE:

L_{pA}	(pressão sonora)	dB(A)	90
L_{WA}	(potência sonora)	dB(A)	103
L_{WA}	(com garantia)	dB(A)	105

Valor médio quadrático ponderado em
frequência de aceleração conforme a
EN 50144: < 2,5 m/s²



Brian Cooke

Engenheiro Responsável
Spennymoor, County Durham DL16 6JG,
United Kingdom
12-06-2002

GW200/225/250/254 Οδηγίες χρήσεως

Συγχαρητήρια

Με την αγορά του λύσατε για πάντα το πρόβλημα του καθαρισμού του κήπου σας από τα φύλλα.

GW200 - Mastervac

Απορόφηση ✓ Τεμαχισμός ✓

GW225

Απορόφηση ✓ Τεμαχισμός ✓ Ρυθμιζόμενη ισχύς φυσητήρα ✓

GW250 - Mastervac 123

Απορόφηση ✓ Τεμαχισμός ✓ Ρυθμιζόμενη ισχύς φυσητήρα ✓

GW254

Απορόφηση ✓ Τεμαχισμός ✓ Εύκαμπτος σωλήνας αποβολής αέρα ✓

Αυτή η συσκευή διαθέτει πολλά χαρακτηριστικά που έχουν σχεδιαστεί ειδικά για την καλύτερη εξυπηρέτηση σας όπως:

- Ισχυρό μοτέρ το οποίο έχει δυνατότητα ώθησης του αέρα και απορρόφησης/τεμαχισμού.
- Μοναδική έλικα 5 πτερυγών η οποία τεμαχίζει τα φύλλα σε σχέση 7 προς 1.
- Μεγάλες λαβές που έχουν σχεδιαστεί για πιο άνετη και αποτελεσματική χρήση (GW250, GW225).
- Μοναδικός εύκαμπτος σωλήνας αποβολής αέρα για μεγαλύτερη άνεση και έλεγχο (GW254).
- Μεγάλο στόμιο σωλήνα απορρόφησης για ευκολότερη συγκομιδή των φύλλων.
- Σάκο συλλογής χωρητικότητας 35 λίτρων.

Περιγραφή (Εικ. Α)

A Σας παραθέτουμε κατωτέρω ένα κατάλογο εξαρτημάτων και τμημάτων της συσκευής τα οποία αναφέρονται σε αυτό τον Οδηγό χρήσης και τα οποία εμφανίζονται στις αντίστοιχες εικόνες:

GW200

1. Κυρίως σώμα συσκευής
2. Διακόπτης λειτουργίας ON/OFF
3. Διακόπτης σύνδεσης/αποσύνδεσης
4. Επάνω τμήμα απορροφητικού σωλήνα
5. Κάτω τμήμα απορροφητικού σωλήνα

9. Βαστώ λωρίδα
10. Σάκος συλλογής
11. Σημείο συγκράτησης καλωδίου

GW225

1. Κυρίως σώμα συσκευής
2. Διακόπτης λειτουργίας ON/OFF
3. Διακόπτης σύνδεσης/αποσύνδεσης
4. Επάνω τμήμα απορροφητικού σωλήνα
5. Κάτω τμήμα απορροφητικού σωλήνα
6. Επάνω σωλήνας φυσητήρα σωλήνας αέρα
7. Κάτω σωλήνας φυσητήρα σωλήνας αέρα
8. Έλεγχος ταχύτητας αέρα
11. Σημείο συγκράτησης καλωδίου
12. Σάκος συλλογής

GW250

1. Κυρίως σώμα συσκευής
2. Διακόπτης λειτουργίας ON/OFF
3. Διακόπτης σύνδεσης/αποσύνδεσης
4. Επάνω τμήμα απορροφητικού σωλήνα
5. Κάτω τμήμα απορροφητικού σωλήνα
6. Επάνω σωλήνας φυσητήρα σωλήνας αέρα
7. Κάτω σωλήνας φυσητήρα σωλήνας αέρα
8. Έλεγχος ταχύτητας αέρα
9. Βαστώ λωρίδα
10. Σάκος συλλογής
11. Σημείο συγκράτησης καλωδίου

GW254 (βλ. επίσης εικ. Β3)

1. Κυρίως σώμα συσκευής
2. Διακόπτης λειτουργίας ON/OFF
3. Διακόπτης σύνδεσης/αποσύνδεσης
4. Επάνω τμήμα απορροφητικού σωλήνα
5. Κάτω τμήμα απορροφητικού σωλήνα
6. Επάνω σωλήνας φυσητήρα σωλήνας αέρα
9. Βαστώ λωρίδα
10. Σάκος συλλογής
11. Σημείο συγκράτησης καλωδίου

13. Σωλήνας αποβολής αέρα- μεσαίος
14. Σωλήνας αποβολής αέρα - κάτω
15. Πλήκτρο ασφάλισης
16. Σωλήνας αποβολής αέρα - εύκαμπτο τμήμα

Γνωρίστε τη συσκευή σας

i Διαβάστε αυτό τον Οδηγό χρήσεως προσεκτικά, δίνοντας ιδιαίτερη προσοχή σε όλες τις οδηγίες που αφορούν την ασφαλεία σας πριν, κατά και μετά τη χρήση της συσκευής. Διατηρείτε τη συσκευή σε καλή λειτουργική κατάσταση.

Εξοικωθείτε με τους διακόπτες της συσκευής πριν τη θέσετε σε λειτουργία αλλά πάνω από όλα μάθετε πως θα τη σταματήσετε ακαριαία σε περίπτωση ανάγκης.

Κρατήστε αυτόν τον Οδηγό και ότι άλλο έντυπο σας παρέχεται μαζί με τη συσκευή για τυχόν μελλοντική χρήση.

Οδηγίες για την ασφάλεια σας

Εκμάθηση

- Ασφαλής απόσταση στην λειτουργία του φυσητήρα.
- Μην αφήνετε ποτέ να χειριστούν αυτή τη συσκευή παιδιά ή άτομα που δεν είναι σε θέση να χειριστούν τέτοιου είδους συσκευές καθώς επίσης και οποιοδήποτε ο οποίος δεν έχει διαβάσει αυτόν τον Οδηγό χρήσεως.



- Όταν χρησιμοποιείτε τη συσκευή μην αφήνετε ποτέ να πλησιάσουν σε λιγότερο από 6 μέτρα παιδιά, άλλα άτομα ή ζώα.
- Να θυμάστε πάντοτε ότι ο χειριστής της συσκευής είναι υπεύθυνος για ατυχήματα που θα συμβούν σε τρίτους ή στην παρουσία τρίτων.
- Η συσκευή αυτή έχει σχεδιαστεί για να λειτουργεί με ηλεκτρικό σύστημα AC - μην προσπαθήσετε να τη θέσετε σε λειτουργία με άλλο σύστημα.
- Συνδέστε τη συσκευή σας σε μια πρίζα παροχής ηλεκτρικού ρεύματος - ποτέ σε μια πρίζα φωτισμού. Η προτεινόμενη ασφάλεια είναι 13 Amp.

- Μη μεταφέρετε ποτέ τη συσκευή κρατώντας την από το καλώδιο ή μην τραβάτε ποτέ το καλώδιο απότομα για να αποσυνδέσετε τη συσκευή από την παροχή ηλεκτρικού ρεύματος. Κρατάτε το καλώδιο μακριά από καυτές επιφάνειες λάδια ή αιχμηρές άκρες. Ελέγχετε τη κατάσταση του καλωδίου πριν από τη χρήση και μη χρησιμοποιείτε τη συσκευή εάν το καλώδιο έχει φθαρεί.

Προπαρασκευή

- Μη χρησιμοποιείτε τη συσκευή με γυμνά πόδια ή φορώντας σανδάλια.
- Για να προστατεύσετε τα πόδια σας, φοράτε πάντοτε γερά παπούτσια ή μπότες - το φρέσκο κομμένο γρασίδι είναι υγρό και γλιστρά. Οι λαστιχένιες μπότες είναι ιδανικές για την ασφάλεια σας.



- Χρησιμοποιείτε εξοπλισμό ασφαλείας. Φοράτε πάντοτε γυαλιά προστασίας καθώς χρησιμοποιείτε τη συσκευή.

- Εάν υπάρχει σκόνη πρέπει να φοράτε μάσκα προσώπου.
- Εάν ο θόρυβος σας φαίνεται υπερβολικός πρέπει να φοράτε ωτοασπίδες.
- Φοράτε μακριά παντελόνια για να προστατεύετε τα πόδια σας.



Προσοχή! Αν έχετε μακριά μαλλιά, μαζέψτε τα πάνω από τους ώμους. Διατηρήστε τα χαλαρά ρούχα, γραβάτες, κρόσια και χαλαρές τιράντες μακριά από ανοίγματα και κινούμενα εξαρτήματα.

- Πρέπει να ελέγχετε συχνά το καλώδιο για σημάδια βλάβης ή φθοράς και να χρησιμοποιείτε τη συσκευή μόνο όταν το καλώδιο είναι σε καλή κατάσταση.
- Πριν χρησιμοποιήσετε τη συσκευή ελέγχετε εάν το κυρίως σώμα και όλα τα επιμέρους τμήματα της είναι σε ασφαλή κατάσταση λειτουργίας.
- Μη χρησιμοποιείτε τη συσκευή εάν κάποια μέρη της είναι ελαττωματικά ή παρουσιάζουν φθορές ή λείπουν τα αντίστοιχα προστατευτικά μέρη.
- Μη μαζεύετε με τη συσκευή καιόμενα αντικείμενα όπως αναμμένες γόπες τσιγάρων.

- Μη χρησιμοποιείτε τη συσκευή εκεί που υπάρχουν εύφλεκτα αέρια καθώς αυτές οι συσκευές δημιουργούν σπινθήρες που μπορούν να προκαλέσουν έκρηξη.
- Μη αφήνετε να χρησιμοποιούν τη συσκευή άτομα ηλικίας κάτω των 16 ετών ή άτομα που δεν έχουν διαβάσει αυτό τον Οδηγό Χρήσεως. Σε περίπτωση ατυχήματος υπεύθυνος θα είστε εσείς.

Λειτουργία

- Μην θέτετε σε χρήση τη λειτουργία απορρόφησης χωρίς τον απορροφητικό σωλήνα και το σάκο συλλογής.



Θέτετε πάντοτε εκτός λειτουργίας τη συσκευή και αποσυνδέετε την από την παροχή ηλεκτρικού ρεύματος όταν:

- Αλλάζετε τη συσκευή από απορροφητική σε συσκευή φυσική.
- Εάν το καλώδιο παρουσιάζει φθορές ή έχει μπερδευτεί.
- Όταν αφήνετε αφύλακτη τη συσκευή.
- εμπλοκάρετε κάποιο σημείο της συσκευής.
- Όταν ελέγχετε, ρυθμίζετε, καθαρίζετε ή εργάζεστε γενικά πάνω στη συσκευή.
- Μην τοποθετείτε το στόμιο εισόδου ή εξόδου της απορροφητικής συσκευής κοντά στα μάτια ή στα αυτιά κατά τη διάρκεια λειτουργίας.
- Μη χρησιμοποιείτε τη συσκευή στη βροχή και μην την αφήνετε να υγραθεί. Αποφύγετε εάν είναι δυνατόν να χρησιμοποιείτε τη μηχανή σε βρεγμένο χορτάρι
- Χρησιμοποιείτε τη συσκευή μόνο με το φως της ημέρας ή με πολύ καλό τεχνικό φωτισμό.
- Μη διασχίζετε δρόμους και μονοπάτια με χαλίκια με το μηχάνημα σε λειτουργία όταν φυσάει ή απορροφάει.
- Μη μαζεύετε υλικά τα οποία είναι διαποτισμένα με εύφλεκτα ή εκρηκτικά υγρά όπως βενζίνη και μη χρησιμοποιείτε τη συσκευή σε μέρη που υπάρχουν τέτοια υγρά.
- Μη τοποθετείτε αντικείμενα στα στόμια ή στα ανοίγματα της συσκευής.



Μη χρησιμοποιείτε ποτέ τη συσκευή εάν τα στόμια της είναι φραγμένα - κρατάτε τα στόμια καθαρά από μαλλιά, νήματα, σκόνη ή οτιδήποτε άλλο το οποίο θα μείωνε τη ροή του αέρα.



Προσοχή! Χρησιμοποιείτε πάντοτε τη μηχανή με τον τρόπο που περιγράφετε σε αυτόν τον Οδηγό Χρήσεως. Η μηχανή σας έχει σχεδιαστεί για να λειτουργεί σε όρθια θέση και εάν χρησιμοποιηθεί με άλλη κλίση μπορεί να σας τραυματίσει. Μη χρησιμοποιείτε ποτέ τη συσκευή στο πλάι ή σε ανάποδη θέση.

Αποθήκευση και συντήρηση της συσκευής

- Αποθηκεύετε τη συσκευή σε κάποιο στεγνό μέρος στο οποίο δεν έχουν πρόσβαση τα παιδιά.
- Μη χρησιμοποιείτε υγρά καθαρισμού για να καθαρίσετε τη συσκευή σας - χρησιμοποιείτε ένα μη αιχμηρό ξύστη για να απομακρύνετε τη βρωμιά και το γρασίδι. Αποσυνδέετε πάντοτε τη συσκευή από το ηλεκτρικό ρεύμα πριν την καθαρίσετε.
- Μη χρησιμοποιείτε ποτέ τη συσκευή εάν κάποια μέρη της παρουσιάζουν φθορές. Αντικαταστήστε αυτά τα μέρη με καινούρια πριν τη χρησιμοποιήσετε.
- Ελέγχετε ότι όλες οι βίδες και τα παξιμάδια της συσκευής σας είναι καλά σφιγμένα και ότι η συσκευή σας είναι σε καλή λειτουργική κατάσταση πριν τη χρησιμοποιήσετε.
- Χρησιμοποιείτε πάντοτε γνήσια ανταλλακτικά της Black & Decker.
- Ανεμιστήρες για αντικατάσταση διατίθενται από τον αντιπρόσωπο σέρβις της Black & Decker.



Προειδοποίηση! Αν το καλώδιο τροφοδοσίας είναι κατεστραμμένο, πρέπει να αλλάξει με:

Τύπος πρίξας B&D Αριθμός Καταλόγου

Ευρωπαϊκή 370017-02

Η πολιτική της Black & Decker συνίσταται στην συνεχή εξέλιξη και βελτίωση των προϊόντων της για αυτό και διατηρεί το δικαίωμα να αλλάξει τις προδιαγραφές των προϊόντων της χωρίς ειδοποίηση.

Διπλή ηλεκτρική μόνωση



Η συσκευή σας διαθέτει διπλή μόνωση. Αυτό σημαίνει ότι όλα τα μεταλλικά μέρη διαθέτουν μόνωση από την ηλεκτρική πηγή ενέργειας. Αυτό επιτυγχάνεται με την προσθήκη μονωτικών υλικού μεταξύ των μηχανικών και των ηλεκτρικών μερών της συσκευής. Η διπλή μόνωση σημαίνει μεγαλύτερη ασφάλεια και καθιστά περιττή την γείωση της συσκευής.

Συναρμολόγηση πριν από τη χρήση (Εικ. Β & F)

Συναρμολόγηση του απορροφητικού σωλήνα (Εικ. Β1)

B

- Ο απορροφητικός σωλήνας πρέπει να συναρμολογείτε πριν από τη χρήση.
- Για εύκολη συναρμολόγηση, προσθέστε νερό με σαπούνι στο σημείο εφαρμογής.
- Ευθυγραμμίστε τις εσοχές του επάνω και του κάτω τμήματος του απορροφητικού σωλήνα.
- Πιέστε σταθερά τα εξαρτήματα μεταξύ τους μέχρις ότου εμπλακεί ο συνδετήρας όπως φαίνεται στην. (Μη χρησιμοποιείτε ποτέ το μηχάνημα όταν είναι αποσυνδεδεμένα).
- Για λόγους ασφάλειας, οι σωλήνες δεν πρέπει να αποσυνδέονται αφού έχουν συναρμολογηθεί.

Συσκευή σωλήνα Απορροφητήρα (Εικόνα Β2)

- Οι σωλήνες απορροφητήρα πρέπει να συναρμολογούνται μαζί πριν από τη χρήση τους.
- Για να διευκολύνετε τη συναρμολόγηση, χρησιμοποιήστε διάλυμα νερού με σαπούνι στο χώρο σύνδεσης.
- Ευθυγραμμίστε τις ραβδώσεις θέσης πάνω στις πάνω (6) και στους κάτω (7) σωλήνες.
- Ωθήστε και τα δύο μέρη σταθερά μαζί μέχρις ότου ο συνδετήρας είναι δεσμευμένος (ποτέ να μην λειτουργείτε ξεχωριστά).
- Για λόγους ασφάλειας, οι σωλήνες δεν πρέπει να χωρίζονται όταν έχουν συναρμολογηθεί.

Σύστημα σωλήνα αποβολής αέρα (GW254) (Εικ. Β3)

- Τοποθετήστε τον κάτω σωλήνα (14) πάνω στον μεσαίο σωλήνα, μέχρι το πλήκτρο ασφάλισης (15) να ασφαλίσει στην θέση του.
- Ευθυγραμμίστε το σημάδι του συστήματος εύκαμπτου σωλήνα αποβολής αέρα με το σημάδι στον άνω σωλήνα αποβολής αέρα (6).
- Εισάγετε τον συναρμολογημένο σωλήνα αποβολής αέρα στον άνω σωλήνα αποβολής και στρέψτε τον για να ασφαλίσει στην θέση του.
- Εναλλακτικά, το εύκαμπτο τμήμα (16) μπορεί να τοποθετηθεί μεταξύ του άνω σωλήνα αποβολής αέρα και του συναρμολογημένου σωλήνα αποβολής αέρα. Με το εύκαμπτο τμήμα, μπορείτε να χειριστείτε την μονάδα πιο εύκολα και με μεγαλύτερο έλεγχο.

Συναρμολόγηση της ζώνης μεταφοράς (GW250) (Εικ. Β4)

- Εάν το επιθυμείτε συνδέστε τη ζώνη μεταφοράς με το κυρίως σώμα της συσκευής και ρυθμίστε τη ανάλογα. με τη σωματική σας διάπλαση.



Προσοχή! Το λουρί ώμου πρέπει να χρησιμοποιείται μόνο κατά τη λειτουργία απορρόφησης. Μη χρησιμοποιείτε ποτέ το λουρί κατά τη λειτουργία φυσήματος.

Σύστημα ιμάντα μεταφοράς (GW254) (Εικ. Β5 & Β6)

Για χρήση στην κατάσταση φυσήματος ή αναρρόφησης.

- Τοποθετήστε τον μικρό δακτύλιο πάνω από την λαβή T.
- Ρυθμίστε τον μεγάλο δακτύλιο για να είναι άνετος στον χρήστη.
- Η μονάδα μπορεί τώρα να κρεμαστεί στον ώμο και να χρησιμοποιηθεί όπως φαίνεται.

Σάκος συλλογής (GW225) (Εικ. F8)

- Εφαρμόστε το σάκο συλλογής στο στόμιο απορρόφησης χρησιμοποιώντας το συνδετήρα-μαγιονέτα.

F

Δι ακόπτης λειτουργίας ON/OFF (Εικ. C)

C

- Ο διακόπτης λειτουργίας on/off (2) βρίσκεται στην λαβή του κυρίως σώματος της συσκευής.
- Για να λειτουργήσει η συσκευή πιέστε το διακόπτη προς τα εμπρός.
- Ο διακόπτης λειτουργίας δεν θα ενεργοποιηθεί εάν είναι πατημένος ο διακόπτης σύνδεσης/ αποσύνδεσης (3).
- Για να σταματήσει τη λειτουργία της συσκευής τραβήξτε το διακόπτη προς τα πίσω.

Σημείο συγκράτησης του καλωδίου (Εικ. D)

D

- Η συσκευή σας διαθέτει στο κυρίως σώμα της ένα ειδικό σημείο συγκράτησης του καλωδίου.
- Συνδέστε το φινις της προέκτασης με το καλώδιο, κάνετε μια θηλειά και περάστε την από το ειδικό σημείο συγκράτησης του καλωδίου.

Χρήση της συσκευής σας (Εικ. E)

Όταν χρησιμοποιείτε τη συσκευή σαν φυσητήρα ή σαν συσκευής απορρόφησης πρέπει να φοράτε πάντοτε προστατευτικά γυαλιά. Εάν τη χρησιμοποιείτε σε συνθήκες που υπάρχει πολύ σκόνη πρέπει να φοράτε μάσκα προσώπου.

Λειτουργία φυσητήρα (GW250/GW254)

- Βεβαιωθείτε ότι η συσκευή είναι εκτός λειτουργίας και έχει αποσυνδεθεί από την παροχή ηλεκτρικού ρεύματος.
- Προσαρμόστε το σωλήνα του φυσητήρα (6) στο κυρίως σώμα της συσκευής (1) όπως σας δείχνει το σχέδιο και στρέψτε το μέχρι να εφαρμόσει καλά και να “κουμπώσει” σωστά ο διακόπτης σύνδεσης (Εικ. E2).
- Κρατήστε το σωλήνα του φυσητήρα περίπου 7 ίντσες πάνω από το έδαφος, θέστε σε λειτουργία τη συσκευή, και φυσηξτε τα φύλλα με μια συνεχόμενη κίνηση από άκρη σε άκρη φροντίζοντας να κρατάτε τα φύλλα πάντα μπροστά σας (Εικ. E4).

E

Ρύθμιση φυσητήρα (GW225/GW250) (Εικ. E5)

- Θέση Α - Μέγιστη ταχύτητα φυσηματος.
- Θέση Β - Η ταχύτητα του αέρα μπορεί να ρυθμιστεί μεταξύ των θέσεων Α και C. Για να το επιτύχετε, πιέστε προς τα κάτω το διακόπτη και σπρώξτε τον εμπρός-πίσω μέχρι να βρείτε την ταχύτητα που θέλετε και μετά αφήστε το διακόπτη ελεύθερο για να κλειδώσει στην θέση που επιλέξατε.
- Θέση C - Ελάχιστη ταχύτητα φυσηματος.
- Μόλις δημιουργήσετε ένα λοφίσκο με τα φύλλα και τα απομεινάρια του κήπου μπορείτε να αλλάξετε τη λειτουργία της συσκευής σε απορροφητική για να τα μαζέψετε.

Η αφαίρεση του σωλήνα (Εικ. F)

- Θέστε εκτός λειτουργίας τη συσκευή και αποσυνδέστε τη από το ηλεκτρικό ρεύμα.
- Για να αφαιρέσετε το σωλήνα από το κυρίως σώμα της συσκευής πιέστε το διακόπτη σύνδεσης όπως σας δείχνει η Εικ. F1 κρατώντας το σωλήνα για να μη πέσει κάτω.
- Εάν ο διακόπτης λειτουργίας βρίσκεται στη θέση ON ο διακόπτης σύνδεσης δεν μπορεί να πιεστεί.

F

Απορροφητική λειτουργία (Εικ. E & F)

- Βεβαιωθείτε ότι η συσκευή είναι εκτός λειτουργίας και δεν είναι συνδεδεμένη με την παροχή ηλεκτρικού ρεύματος.
- Συνδέστε τον απορροφητικό σωλήνα με τον ίδιο τρόπο που περιγράφεται νωρίτερα για το σωλήνα του φυσητήρα (Εικ. E1 & E3).

E

Για να προσαρμόσετε το σάκο συλλογής στη συσκευή:

- Ευθυγραμμίστε τις εγκοπές επάνω στο εξάρτημα του σάκου με τις εσοχές που υπάρχουν στην εξοχή της σκούπας (Εικ. F2).
- Σύρετε το εξάρτημα του σάκου προς την εξοχή της σκούπας και σφίξτε το εξάρτημα (Εικ. F3).
- Τοποθετήστε το εμπρόσθιο μέρος της σακούλας συλλογής μέσα στον συνδετήρα στην κάτω πλευρά του σωλήνα της σκούπας (Εικ. F4).

F

- Χρησιμοποιώντας την ζώνη νάυλον, εντοπίστε το πίσω μέρος της σακούλας συλλογής επάνω στο χείλος που είναι τοποθετημένο στο πίσω μέρος της κεφαλής ρεύματος (Εικ. F5 & F6).
- Βεβαιωθείτε ότι το ζιπ της σακούλας είναι κλειστό πριν τη λειτουργία (Εικ. F5).
- Τοποθετήστε τον σωλήνα λίγο πιο πάνω από τα θρύψαλα / φύλλα. Ανάψτε τη συσκευή σας, μετά χρησιμοποιώντας μια κίνηση σκουπίσματος, τα θρύψαλα / φύλλα θα απορροφηθούν μέσα στον σωλήνα, κομματιασμένα και ριγμένα μέσα στη σακούλα συλλογής (Εικ. F7).
- Ενώ η σακούλα γεμίζεται, η δύναμη της αναρρόφησης θα ελαττωθεί, σβήστε τη συσκευή σας και βγάλτε την ρίζα από την κεντρική παροχή.
- Για να αφαιρέσετε το σάκο, ξεκουμπώστε τον χρησιμοποιώντας την λαβή από νάilon όπως εικονίζεται (εικ. F6) και λύστε το εξάρτημα σύνδεσης. Ανοίξτε το φερμουάρ του σάκου και αδειάστε το προτού συνεχίσετε (εικ. F9).

Εφαρμογή του τροχού του απορροφητήρα της σκούπας (Εικ. G) (μόνο μοντέλα K)

- Αποσυνδέστε τη συσκευή σας από την παροχή ηλεκτρισμού προτού εφαρμόσετε τον τροχό.

Σημείωση: Να χρησιμοποιείται μόνο στη μέθοδο της σκούπας.

G

- Εντοπίστε τον τροχό επάνω στον σωλήνα της σκούπας.

Εύρεση λάθους στη λειτουργία της συσκευής



Πριν επιχειρήσετε να κάνετε συντήρηση της συσκευής σας πρέπει πάντοτε να την αποσυνδέετε από την παροχή ηλεκτρικού ρεύματος.

- Η συσκευή δεν λειτουργεί** (1) Ελέγξτε τη σύνδεση με την παροχή ηλεκτρικού ρεύματος.
 (2) Ελέγξτε και αλλάξτε την ασφάλεια του φιν εάν έχει καεί.

(3) Ελέγξτε εάν έχει εφαρμόσει σωστά ο σωλήνας του φυσητήρα πο σωλήνας απορρόφησης με το σώμα της συσκευής.

(4) Εάν μόλις επιχειρήσει να θέσετε σε λειτουργία τη συσκευή καίγεται η ασφάλεια, αποσυνδέστε τη συσκευή αμέσως από το ηλεκτρικό ρεύμα και συμβουλευθείτε τον τοπικό σας αντιπρόσωπο ή κέντρο τεχνικής εξυπηρέτησης.

Μειωμένη απορροφητική απόδοση/ψηλό σφύριγμα

(1) Θέστε τη συσκευή εκτός λειτουργίας και αποσυνδέστε την από την παροχή ηλεκτρικού ρεύματος. Στην περίπτωση αυτή ο σωλήνας θα αδειάσει από τα φύλλα που περιέχει.

(2) Αφαιρέστε και αδειάστε το σάκο συλλογής.

(3) Ελέγξτε εάν έχουν φράξει τα στόμια εισόδου και εξόδου του σωλήνα.

(4) Αφαιρέστε τυχόν υπολείμματα από την πτερωτή.

(5) Εάν η συσκευή συνεχίζει να λειτουργεί με μειωμένη απόδοση συμβουλευθείτε το πλησιέστερο κέντρο τεχνικής εξυπηρέτησης.

Μειωμένη απόδοση τεμαχισμού των φύλλων αποσυνδέστε

(1) Θέστε τη συσκευή εκτός λειτουργίας και την από το ηλεκτρικό ρεύμα.

(2) Αφαιρέστε το σωλήνα απορρόφησης και επιθεωρήστε τη πτερωτή.

(3) Καθαρίστε τα πτερύγια της πτερωτής από τα σκουπίδια που τυχόν έχουν μαζευτεί εκεί.

(4) Εάν η φτερωτή έχει ραγίσει ή παρουσιάζει άλλες φθορές συμβουλευθείτε τον τοπικό σας αντιπρόσωπο ή το πλησιέστερο κέντρο τεχνικής εξυπηρέτησης.

Εγγύηση

Η Black & Decker είναι σίγουρη για την ποιότητα των προϊόντων της και παρέχει σημαντική εγγύηση. Η παρούσα γραπτή εγγύηση αποτελεί πρόσθετο δικαίωμά σας και δεν ζημιώνει τα συνταγματικά σας δικαιώματα. Η εγγύηση ισχύει εντός της επικράτειας των Κρατών Μελών της Ευρωπαϊκής Ένωσης και της Ευρωπαϊκής Ζώνης Ελευθέρων Συναλλαγών.

Σε περίπτωση που κάποιο προϊόν της Black & Decker παρουσιάσει βλάβη εξαιτίας ελαττωματικών υλικών, ποιότητας εργασίας ή έλλειψης συμφωνίας με τις προδιαγραφές εντός 24 μηνών από την ημερομηνία αγοράς, η Black & Decker εγγυάται την αντικατάσταση των ελαττωματικών τμημάτων, την επισκευή προϊόντων που έχουν υποστεί εύλογη φθορά λόγω χρήσης ή την αντικατάσταση των προϊόντων προκειμένου να εξασφαλίσει την ελάχιστη ενόχληση στους πελάτες της, εκτός αν:

- Το προϊόν έχει χρησιμοποιηθεί σε εργασιακό, επαγγελματικό περιβάλλον ή αν έχει εννοικιαστεί
- Έχει γίνει εσφαλμένη χρήση του προϊόντος ή αν έχει παραμεληθεί
- Το προϊόν έχει υποστεί βλάβη από άλλα αντικείμενα, από ουσίες ή λόγω ατυχήματος
- Έχει γίνει προσπάθεια επισκευής από μη εξουσιοδοτημένα κέντρα επισκευών ή από προσωπικό που δεν ανήκει στο προσωπικό της Black & Decker

Για να ισχύσει η εγγύηση, πρέπει να υποβάλετε απόδειξη αγοράς στον πωλητή ή το εξουσιοδοτημένο κέντρο επισκευών. Ενημερωθείτε για το πλησιέστερο κέντρο επισκευών της περιοχής σας, επικοινωνώντας με τα γραφεία της Black & Decker στη διεύθυνση που αναγράφεται στο εγχειρίδιο. Επίσης, για να πληροφορηθείτε για τα εξουσιοδοτημένα κέντρα επισκευών της Black & Decker, τις λεπτομέρειες και τους αρμόδιους των υπηρεσιών που παρέχονται μετά την πώληση, μπορείτε να ανατρέξετε στο Διαδίκτυο στη διεύθυνση: www.2helpU.com.

Ο καθαρισμός του εργαλείου



Αποσυνδέετε πάντοτε τη συσκευή από το ηλεκτρικό ρεύμα πριν την καθαρίσετε ή φροντίσετε τη συντήρησή της. Κρατάτε τη συσκευή πάντοτε στεγνή. Μην την καταβρέχετε με νερό.

- Καθαρίζετε τακτικά το εργαλείο.
- Αφαιρείτε πάντοτε από το σωλήνα όσα φύλλα απομένουν σε αυτόν.
- Τα πλαστικά μέρη μπορείτε να τα πλένετε με μαλακό σαπούνι χρησιμοποιώντας πανί βρεγμένο με ζεστό νερό.



Μη χρησιμοποιείτε καθαριστικά τα οποία μπορεί να περιέχουν χημικά τα οποία θα προκαλέσουν σοβαρές φθορές στο πλαστικό.

- Στο εργαλείο υπάρχουν τοποθετημένα αυτολιπαντα κουζίνα, ετσι δεν χρειαζεται λιπανση στο εργαλειο.

Προστασία του περιβάλλοντος



Η Black & Decker δίνει τη δυνατότητα ανακύκλωσης των προϊόντων της που έχουν συμπληρώσει τη διάρκεια ζωής τους. Η υπηρεσία αυτή είναι δωρεάν. Αν θέλετε να χρησιμοποιήσετε την εν λόγω υπηρεσία, επιστρέψτε το προϊόν σας σε οποιοδήποτε εξουσιοδοτημένο κέντρο επισκευών, όπου θα το παραλάβουν εκ μέρους σας.

Ενημερωθείτε για το πλησιέστερο κέντρο επισκευών της περιοχής σας, επικοινωνώντας με τα γραφεία της Black & Decker στη διεύθυνση που αναγράφεται στο εγχειρίδιο. Επίσης, για να πληροφορηθείτε για τα εξουσιοδοτημένα κέντρα επισκευών της Black & Decker, τις λεπτομέρειες και τους αρμόδιους των υπηρεσιών που παρέχονται μετά την πώληση, μπορείτε να ανατρέξετε στο Διαδίκτυο στη διεύθυνση: www.2helpU.com.

Άλλα εργαλεία κήπου

Η Black & Decker διαθέτει μία πλήρη σειρά εργαλείων κήπου, τα οποία διευκολύνουν την εργασία σας στον κήπο. Για περισσότερες πληροφορίες σχετικά με τα προϊόντα που αναφέρονται παρακάτω, επικοινωνήστε με το Κέντρο Εξυπηρέτησης και Πληροφόρησης (στη διεύθυνση που αναφέρεται προς το τέλος αυτών των οδηγιών χρήσης) ή με το πλησιέστερο εξουσιοδοτημένο κατάστημα της Black & Decker.

Μηχανές φινιρίσματος χόρτου

Αλυσοπρίονα

Φορτιζόμενα ψαλίδια

Χλοκοπτικές μηχανές

Απορροφητήρας/Φυσητήρας φύλλων

Σπαστήρας φύλλων/κλαδιών

Δεν είναι όλα τα προϊόντα διαθέσιμα σε όλες τις χώρες.

ΕΛΛΗΝΙΚΑ

Δήλωση συμμορφωσης ΕΚ

GW200/GW225/GW250/GW254

Black & Decker δηλώνει ότι αυτά τα ηλεκτρικά εργαλεία σχεδιάστηκαν σύμφωνα με:

98/37/ΕΟΚ, 89/336/ΕΟΚ, 73/23/ΕΟΚ,
EN 55014, EN 55104, EN 60335,

2000/14/ΕΟΚ, Φυσητήρας-Απορροφητήρας
Φύλλων $\leq 9,5 \text{ m}^3/\text{min}$, Annex V

Ανώτατο όριο ηχητικής πίεσης,
μέτρηση κατά 2000/14/ΕΟΚ:

L_{pA}	(ηχητική πίεση)	dB(A)	90
L_{WA}	(ακουστική δύναμη)	dB(A)	103
L_{WA}	(εγγυημένο προϊόν)	dB(A)	105

Ο σταθμισμένος τετραγωνικός μέσος όρος
επιτάχυνσης κατά EN 50144: $< 2,5 \text{ m/s}^2$



Brian Cooke

Διευθυντής μηχανολογίας
Spennymoor, County Durham DL16 6JG,
United Kingdom
12-06-2002

Australia	DeWALT Industrial Power Tool Company 7 Clarice Road, Box Hill, Victoria 3128	Tel. 03 9895 9200 Fax 03 9899 7465
Belgique/België	Black & Decker (Belgium) N.V. Weihoek 1, 1930 Zaventem	Tel. 02/719.07.11 Fax 02/721.40.45
Danmark	Black & Decker Hejrevang 26B, 3450 Allerød Internet: www.blackdecker.dk	Tel. 70 20 15 10 Fax 48 14 13 99
Deutschland	Black & Decker GmbH Black & Decker Str. 40, D - 65510 Idstein	Tel. 06126/21 24 83 Fax 06126/21 26 01
Ελλάς	Black & Decker (Ελλάς) A.E. Στράβωνος 7 & Βουλιαγμένης 159 16674 Γλυφάδα, Αθήνα, Ελλάδα	Τηλ. (010) 8981 616 Τηλ. (010) 8982 630 Φαξ Service (010) 8983 285
España	Black & Decker Spain Parque de Negocios "Mas Blau" Edificio Muntadas, c/Bergadá, 1, Of. A6 08820 El Prat de Llobregat (Barcelona)	Tel. 934 797 400 Fax 934 797 419
France	Black & Decker (France) S.A.S. B.P. 21, 69571 Dardilly Cédex	Tel. 04 72 20 39 20 Fax 04 72 20 39 00
Helvetia	ROFO AG Gewerbezone Seeblick 3213 Kleinbödingen	Tel. 026-6749391 Fax 026-6749394
Italia	Black & Decker Italia SpA Viale Elvezia 2 20052 Monza (MI)	Tel. 039-23871 Fax 039-2387592/2387594 Numero verde 800-213935
Nederland	Black & Decker (Nederland) BV Florijnstraat 10, 4879 AH Etten-Leur	Tel. 076-5082000 Fax 076-5038184
New Zealand	Black & Decker 81 Hugo Johnson Drive Penrose, Auckland, New Zealand	Tel. 09 579 7600 Fax 09 579 8200
Norge	Black & Decker (Norge) A/S Postboks 248, Leirdal, 1011 Oslo Internet: www.blackdecker.no	Tlf. 22 90 99 00 Fax 22 90 99 01
Österreich	Black & Decker Vertriebsges.m.b.H Erlaaerstraße 165, 1231 Wien	Tel. 01 66116-0 Fax 01 66116-14
Portugal	Black & Decker Rua Egas Moniz 173 S. João do Estoril 2766-651, Estoril	Tel. 214667500 Fax 214667575
South Africa	Black & Decker South Africa (Pty) Ltd Physical address: 39 Commerce Crescent Eastgate, ext. 12, Sandton, Kramerville 2148 Postal address: Postnet Suite 107, Private Bag X65 Halfway House 1685	Tel. (011) 653-1400 Fax (011) 653-1499
Suomi	Black & Decker Oy Palotie 3, 01610 Vantaa Black & Decker Oy, Brandvägen 3, 01610 Vanda	Puh: (09) 825 4540 Fax: (09) 825 45 444 Tel: (09) 825 4540 Fax: (09) 825 45 444
Sverige	Black & Decker AB Box 603, 421 26 Västra Frölunda, Besöksadr. Ekonomivägen 11	Tel: 031-68 60 00 Fax: 031-68 60 08
Türkiye	Black & Decker Merkez Servis Dudullu Cad. Kerembey Sok. No. 1 Küçükbakkalköy/Istanbul	Tel. 0216 455 89 73 Faks 0216 455 20 52
United Kingdom	Black & Decker 210 Bath Road Slough, Berkshire SL1 3YD	Tel. 01753 511234 Fax 01753 551155 Helpline 01753 574277

Dealer address
 Händleradresse
 Cachet du revendeur
 Indirizzo del rivenditore
 Address van de dealer
 Dirección del detallista
 Morada do revendedor
 Aterförsäljarens adress
 Forhandlens adresse
 Forhandler adresse
 Jälleenmyyjän osoite
 Διευθυνση αντιπροσώπου

Date of purchase
 Kaufdatum
 Date d'achat
 Data d'acquisto
 Aankoopdatum
 Fecha de compra
 Data de compra
 Inköpsdatum
 Innkjøpsdato
 Indkøbsdato
 Ostopaivä
 Ημερομηνία αγοράς

◆ Name ◆ Name ◆ Nom ◆ Nome
 ◆ Naam ◆ Nombre ◆ Nome ◆ Namn
 ◆ Navn ◆ Navn ◆ Nimi ◆ Oνομα:

◆ Address ◆ Adresse ◆ Adresse ◆
 Indirizzo ◆ Address ◆ Dirección ◆ Morada
 ◆ Address ◆ Adresse ◆ Adresse ◆ Osoite
 ◆ Διευθυνση:

◆ Town ◆ Ort ◆ Ville ◆ Città ◆ Plaats
 ◆ Ciudad ◆ Localidade ◆ Ort ◆ By ◆ By
 ◆ Paikkakunta ◆ Πόλη:

◆ Postal code ◆ Postleitzahl ◆ Code
 postal ◆ Codice postale ◆ Postcode
 ◆ Código ◆ Código postal ◆ Postnr.
 ◆ Postnr. ◆ Postnr. ◆ Postnummero
 ◆ Κωδικός

◆ Is this tool a gift? ◆ Ist dieses Gerät
 ein Geschenk? ◆ S'agit-il d'un cadeau?
 ◆ Si tratta di un regalo? ◆ Kreeg u de
 machine als cadeau? ◆ ¿Ha recibido
 usted esta herramienta como regalo?
 ◆ Recebeu esta ferramenta como
 presente? ◆ Är verktyget en gåva?
 ◆ Er verktyget en gave? ◆ Er verkøjet
 en gave? ◆ Onko kone lahja?
 ◆ Το εργαλείο είναι δώρο?

Yes ◆ Ja ◆ Oui ◆ Si ◆ Ja ◆ Si
 ◆ Sim ◆ Ja ◆ Ja ◆ Ja ◆ Kyllä ◆ Na

No ◆ Nein ◆ Non ◆ No ◆ No
 ◆ No ◆ Não ◆ Nej ◆ Nei ◆ Nej
 ◆ Ei ◆ Oχι

◆ Is this tool your first purchase? ◆ Ist
 dieses Gerät ein Erstkauf? ◆ Est-ce un
 1er achat? ◆ Questo prodotto è il suo
 primo acquisto? ◆ Is deze machine uw
 eerste aankoop? ◆ ¿Es esta
 herramienta la primera de este tipo?
 ◆ Esta ferramenta é a sua primeira
 compra? ◆ Är detta ditt första B&D-
 verktyg? ◆ Er dette ditt første B&D
 verkøy? ◆ Er dette dit første B&D

verkøy? ◆ Onko tämä ensimmäinen
 B&D-koneesi? ◆ Είναι το εργαλείο
 αυτό η πρώτη σας αγορά?

Yes ◆ Ja ◆ Oui ◆ Si ◆ Ja ◆ Si
 ◆ Sim ◆ Ja ◆ Ja ◆ Ja ◆ Kyllä ◆ Na

No ◆ Nein ◆ Non ◆ No ◆ No
 ◆ No ◆ Não ◆ Nej ◆ Nei ◆ Nej
 ◆ Ei ◆ Oχι

◆ Dealer address ◆ Händleradresse
 ◆ Cachet du revendeur ◆ Indirizzo del
 rivenditore ◆ Address van de dealer
 ◆ Dirección del detallista ◆ Morada do
 revendedor ◆ Aterförsäljarens adress
 ◆ Forhandlens adresse ◆ Forhandler
 adresse ◆ Jälleenmyyjän osoite
 ◆ Διευθυνση αντιπροσώπου

Cat. no.:



- ◆ GUARANTEE CARD
- ◆ GARANTIEKART
- ◆ GARANTI KORT
- ◆ GARANTIEKARTE
- ◆ TARJETA DE GARANTÍA
- ◆ GARANTI KORT
- ◆ CARTE DE GARANTIE
- ◆ CARTÃO DE GARANTIA
- ◆ TAKUKORTTI
- ◆ TAGLIANDO DI GARANZIA
- ◆ GARANTIBEVIS
- ◆ KAPTA ETΓΥΗΣΗΣ



English

Please complete this section immediately after the purchase of your tool and send it to Black & Decker in your country. If you live in Australia or New Zealand, please register by using the alternative guarantee card supplied.

Deutsch

Bitte schneiden Sie diesen Abschnitt ab, stecken ihn in einen frankierten Umschlag und schicken ihn an die Black & Decker Adresse Ihres Landes.

Français

Découpez cette partie et envoyez-la sous enveloppe timbrée à l'adresse de Black & Decker dans votre pays, ceci immédiatement après votre achat.

Italiano

Per favore ritagliate questa parte, inseritela in una busta con francobollo e spedite-la subito dopo l'acquisto del prodotto all'indirizzo della Black & Decker nella vostra nazione.

Nederlands

Knip dit gedeelte uit en zend het direct na aankoop in een gefrankeerde, geadresseerde envelop naar het adres van Black & Decker in uw land.

Español

Después de haber comprado su herramienta envíe usted, por favor, esta tarjeta a la central de Black & Decker en su país.

Português

Por favor, recorte esta parte, coloque-a num envelope selado e endereçado e envie-o logo após a compra do seu produto para o endereço da Black & Decker do seu país.

Svenska

Var vänlig klipp ur denna del och sänd den i ett frankerat kuvert till Black & Deckers adress i Ditt land.

Norsk

Vennligst klipp ut denne delen umiddelbart etter du har pakket ut ditt produkt og legg det i en adressert konvolutt til Black & Decker (Norge) A/S.

Dansk

Venligst klip denne del ud og send frankeret til Black & Decker i dit land.

Suomi

Leikkaa irti tämä osa, laita se kuoreen ja postita kuori paikalliseen Black & Decker osoitteeseen.

Ελληνικά

Παράκατω κόψτε αυτό το κομμάτι και ταχυδρομήστε το κούρωσε μετά την αγορά του προϊόντος σας στην διεύθυνση της Black & Decker στην Ελλάδα.