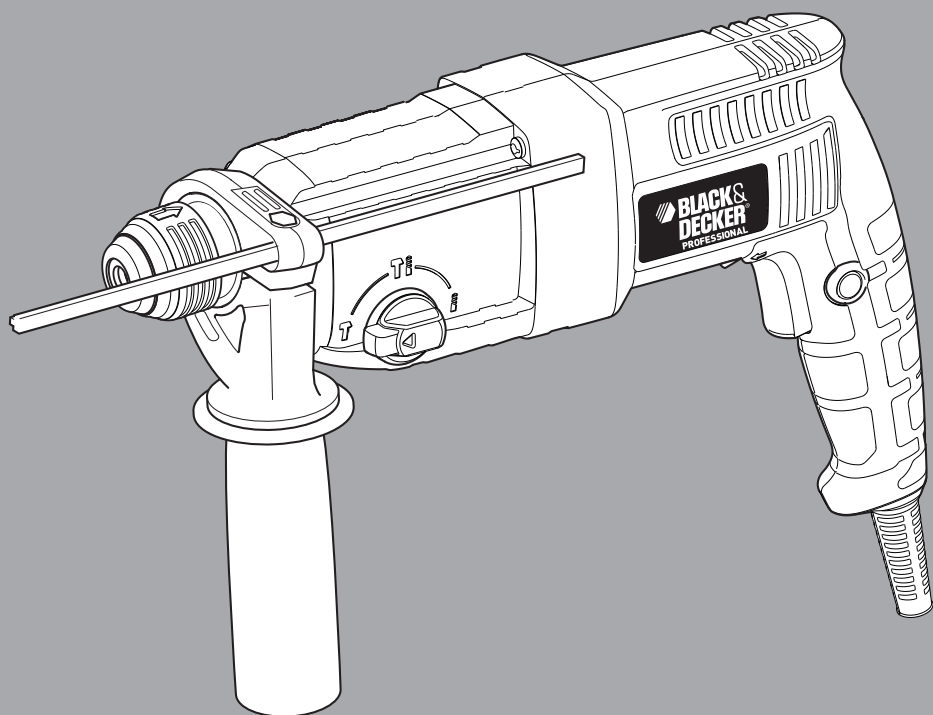


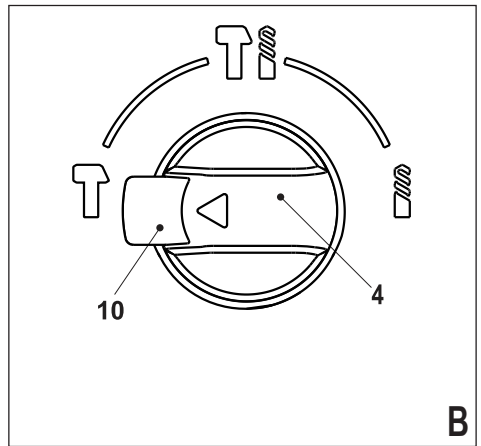
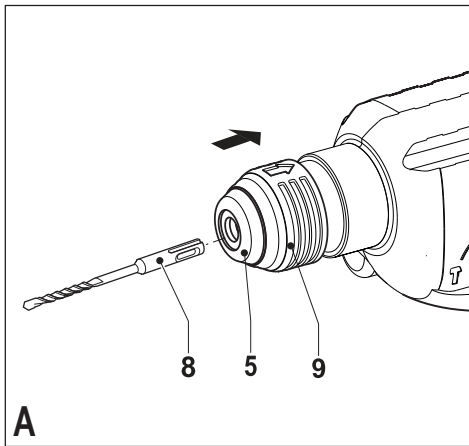
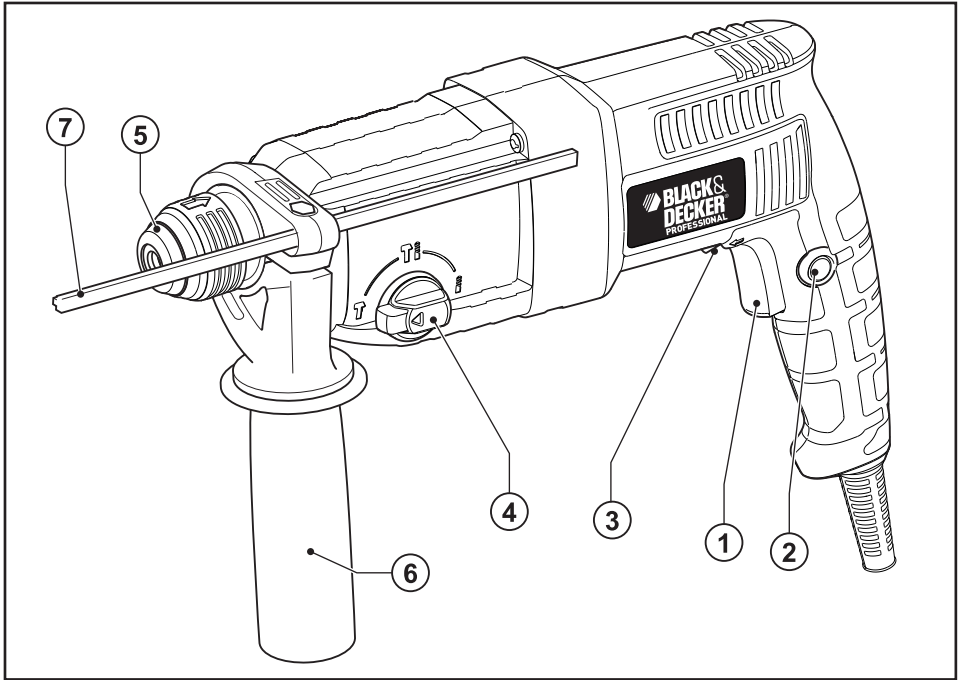
**PRO
LINE**

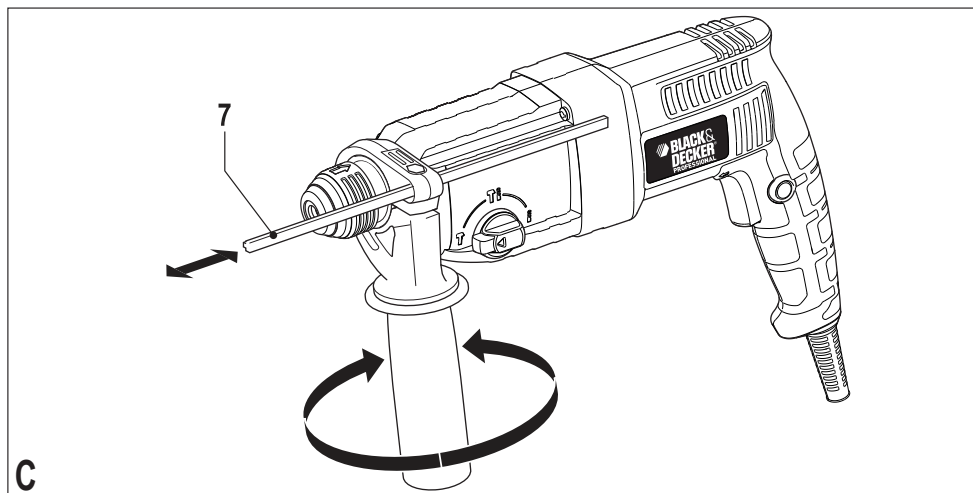
BLACK&DECKER®



www.blackanddecker.ae

BPHR223K





Intended use

Your Black & Decker SDS plus rotary hammer has been designed for drilling in wood, metal, plastics, and masonry as well as for light chiselling applications.

Safety instructions

General power tool safety warnings



Warning! Read all safety warnings and all instructions. Failure to follow the warnings and instructions listed below may result in electric shock, fire and/or serious injury.

Save all warnings and instructions for future reference.

The term "power tool" in all of the warnings listed below refers to your mains operated (corded) power tool or battery operated (cordless) power tool.

1. Work area safety

- a. **Keep work area clean and well lit.** Cluttered or dark areas invite accidents.
- b. **Do not operate power tools in explosive atmospheres, such as in the presence of flammable liquids, gases or dust.** Power tools create sparks which may ignite the dust or fumes.
- c. **Keep children and bystanders away while operating a power tool.** Distractions can cause you to lose control.

2. Electrical safety

- a. **Power tool plugs must match the outlet. Never modify the plug in any way. Do not use any adapter plugs with earthed (grounded) power tools.** Unmodified plugs and matching outlets will reduce risk of electric shock.
- b. **Avoid body contact with earthed or grounded surfaces such as pipes, radiators, ranges and refrigerators.** There is an increased risk of electric shock if your body is earthed or grounded.
- c. **Do not expose power tools to rain or wet conditions.** Water entering a power tool will increase the risk of electric shock.
- d. **Do not abuse the cord. Never use the cord for carrying, pulling or unplugging the power tool.**

Keep cord away from heat, oil, sharp edges or moving parts. Damaged or entangled cords increase the risk of electric shock.

- e. **When operating a power tool outdoors, use an extension cord suitable for outdoor use.** Use of a cord suitable for outdoor use reduces the risk of electric shock.
 - f. **If operating a power tool in a damp location is unavoidable, use a residual current device (RCD) protected supply.** Use of an RCD reduces the risk of electric shock.
- ### 3. Personal safety
- a. **Stay alert, watch what you are doing and use common sense when operating a power tool. Do not use a power tool while you are tired or under the influence of drugs, alcohol or medication.** A moment of inattention while operating power tools may result in serious personal injury.
 - b. **Use personal protective equipment. Always wear eye protection.** Protective equipment such as dust mask, non-skid safety shoes, hard hat, or hearing protection used for appropriate conditions will reduce personal injuries.
 - c. **Prevent unintentional starting. Ensure the switch is in the off-position before connecting to power source and/or battery pack, picking up or carrying the tool.** Carrying power tools with your finger on the switch or energising power tools that have the switch on invites accidents.
 - d. **Remove any adjusting key or wrench before turning the power tool on.** A wrench or a key left attached to a rotating part of the power tool may result in personal injury.
 - e. **Do not overreach. Keep proper footing and balance at all times.** This enables better control of the power tool in unexpected situations.
 - f. **Dress properly. Do not wear loose clothing or jewellery. Keep your hair, clothing and gloves away from moving parts.** Loose clothes, jewellery or long hair can be caught in moving parts.
 - g. **If devices are provided for the connection of dust extraction and collection facilities, ensure these are connected and properly used.** Use of dust collection can reduce dust-related hazards.

4. Power tool use and care

- a. **Do not force the power tool. Use the correct power tool for your application.** The correct power tool will do the job better and safer at the rate for which it was designed.
- b. **Do not use the power tool if the switch does not turn it on and off.** Any power tool that cannot be controlled with the switch is dangerous and must be repaired.
- c. **Disconnect the plug from the power source and/or the battery pack from the power tool before making any adjustments, changing accessories, or storing power tools.** Such preventive safety measures reduce the risk of starting the power tool accidentally.
- d. **Store idle power tools out of the reach of children and do not allow persons unfamiliar with the power tool or these instructions to operate the power tool.** Power tools are dangerous in the hands of untrained users.
- e. **Maintain power tools. Check for misalignment or binding of moving parts, breakage of parts and any other condition that may affect the power tools operation. If damaged, have the power tool repaired before use.** Many accidents are caused by poorly maintained power tools.
- f. **Keep cutting tools sharp and clean.** Properly maintained cutting tools with sharp cutting edges are less likely to bind and are easier to control.
- g. **Use the power tool, accessories and tool bits etc. in accordance with these instructions, taking into account the working conditions and the work to be performed.** Use of the power tool for operations different from those intended could result in a hazardous situation.

5. Service

- a. **Have your power tool serviced by a qualified repair person using only identical replacement parts.** This will ensure that the safety of the power tool is maintained.

Additional power tool safety warnings



Warning! Additional safety warnings for grinding, sanding, wire brushing, polishing or abrasive cutting-off operations

- **Wear ear protectors.** Exposure to noise can cause hearing loss.
- **Use auxiliary handles supplied with the tool.** Loss of control can cause personal injury.
- **Hold power tool by insulated gripping surfaces when performing an operation where the cutting accessory may contact hidden wiring or its own cord.** Cutting accessory contacting a "live" wire may make exposed metal parts of the power tool "live" and could give the operator an electric shock.
- Never use a chisel accessory in rotary mode. The accessory will bind in the material and rotate the drill.
- Use clamps or another practical way to secure and support the workpiece to a stable platform. Holding the work by hand or against your body leaves it unstable and may lead to loss of control.
- Before drilling into walls, floors or ceilings, check for the location of wiring and pipes.
- Avoid touching the tip of a drill bit just after drilling, as it may be hot.
- The intended use is described in this instruction manual. The use of any accessory or attachment or performance of any operation with this tool other than those recommended in this instruction manual may present a risk of personal injury and/or damage to property.

Safety of others

- This appliance is not intended for use by persons (including children) with reduced physical, sensory or mental capabilities, or lack of experience and knowledge, unless they have been given supervision or instruction concerning use of the appliance by a person responsible for their safety.
- Children should be supervised to ensure that they do not play with the appliance.

Residual risks.

Additional residual risks may arise when using the tool which may not be included in the enclosed safety warnings. These risks can arise from misuse, prolonged use etc.

with the application of the relevant safety regulations and the implementation of safety devices, certain residual risks can not be avoided. These include:

- Injuries caused by touching any rotating/moving parts.
- Injuries caused when changing any parts, blades or accessories.
- Injuries caused by prolonged use of a tool. When using any tool for prolonged periods ensure you take regular breaks.
- Impairment of hearing.
- Health hazards caused by breathing dust developed when using your tool (example:- working with wood, especially oak, beech and MDF.)

Labels on tool

The following pictograms are shown on the tool:



Warning! To reduce the risk of injury, the user must read the instruction manual.



Wear safety glasses or goggles when operating this tool.



Wear ear protection when operating this tool.

Electrical safety

This tool is double insulated; therefore no earth wire is required. Always check that the power supply corresponds to the voltage on the rating plate.

- If the supply cord is damaged, it must be replaced by the manufacturer or an authorised Black & Decker Service Centre in order to avoid a hazard.

Using an extension cable

If an extension cable is required, use an approved extension cable suitable for the power input of this tool (see technical data). The minimum conductor size is 1.5 mm². When using a cable reel, always unwind the cable completely. Also refer to the table below.

Conductor size (mm ²)	Cable rating (Amperes)
0.75	6
1.00	10
1.50	15
2.50	20
4.00	25
Cable length (m)	
	7.5 15 25 30 45 60

Voltage	Amperes	Cable rating (Amperes)
220-240	0 - 2.0	6 6 6 6 6 6
	2.1 - 3.4	6 6 6 6 6 6
	3.5 - 5.0	6 6 6 6 10 15
	5.1 - 7.0	10 10 10 10 15 15
	7.1 - 12.0	15 15 15 15 20 20
	12.1 - 20.0	20 20 20 20 25 -

Features

This tool includes some or all of the following features.

1. Variable speed switch
2. Lock-on button
3. Forward/reverse switch
4. Mode selector
5. Tool holder
6. Side handle
7. Depth stop

Assembly

Warning! Before assembly, make sure that the tool is switched off and unplugged.

Fitting the side handle

- Turn the grip counterclockwise until you can slide the side handle (6) onto the front of the tool.
- Rotate the side handle into the desired position.
- Tighten the side handle by turning the grip clockwise.



Warning! Always use the tool with the side handle properly assembled.

Fitting an accessory (fig.A)

- Clean and grease the shank (8) of the accessory.
- Pull back the sleeve (9) and insert the shank into the tool holder (5).
- Push the accessory down and turn it slightly until it fits into the slots.
- Pull on the accessory to check if it is properly locked. The hammering function requires the accessory to be able to move axially several centimetres when locked in the tool holder.
- To remove the accessory, pull back the sleeve (9) and pull out the accessory tool holder.

Use


Warning! Let the tool work at its own pace. Do not overload.

Warning! Before drilling into walls, floors or ceilings, check for the location of wiring and pipes.


Selecting the operating mode (fig. B)

The tool can be used in three operating modes. Press in the button (10) and rotate the drilling mode selector (4) towards the required position, as indicated by the symbols.


Drilling

- For drilling in steel, wood and plastics, set the operating mode selector (4) to the  position.modes.

Hammer Drilling

- For hammer drilling in masonry and concrete, set the operating mode selector (4) to the  position
- When hammering, the tool should not bounce and run smoothly. If necessary, increase the speed.

Hammering

- For hammering with spindle lock, and for light chiselling and chipping, set the operating mode selector (4) to the  position.
- Make sure the forward/reverse switch is in the forward position.
- When changing from hammer drilling to chiselling, turn the chisel to the desired position. If resistance is felt during mode change, slightly turn the chisel to engage the spindle lock.

Selecting the direction of rotation

For drilling, and for chiselling, use forward (clockwise) rotation. For removing a jammed drill bit, use reverse (counterclockwise) rotation.

- To select forward rotation, push the forward/reverse slider (3) to the left.
- To select reverse rotation, push the forward/reverse slider to the right.

Warning! Never change the direction of rotation while the motor is running.

Setting the drilling depth (fig. C)

- Slacken the side handle (6) by turning the grip counterclockwise.
- Set the depth stop (7) to the desired position. The maximum drilling depth is equal to the distance between the tip of the drill bit and the front end of the depth stop.
- Tighten the side handle by turning the grip clockwise.

Switching on and off

- To switch the tool on, press the variable speed switch (1). The tool speed depends on how far you press the switch.
- As a general rule, use low speeds for large diameter drill bits and high speeds for smaller diameter drill bits.
- For continuous operation, press the lock-on button (2) and release the variable speed switch. This option is available only in forward (clockwise) rotation.

- To switch the tool off, release the variable speed switch. To switch the tool off when in continuous operation, press the variable speed switch once more and release it.

Accessories

The performance of your tool depends on the accessory used. Black & Decker accessories are engineered to high quality standards and designed to enhance the performance of your tool. By using these accessories you will get the very best from your tool.

Maintenance

Your Black & Decker corded/cordless appliance/tool has been designed to operate over a long period of time with a minimum of maintenance. Continuous satisfactory operation depends upon proper tool care and regular cleaning.

Warning! Before performing any maintenance on corded/cordless power tools:

- Switch off and unplug the appliance/tool.
- Or switch off and remove the battery from the appliance/tool if the appliance/tool has a separate battery pack.
- Or run the battery down completely if it is integral and then switch off.
- Unplug the charger before cleaning it. Your charger does not require any maintenance apart from regular cleaning.
- Regularly clean the ventilation slots in your appliance/tool/charger using a soft brush or dry cloth.
- Regularly clean the motor housing using a damp cloth. Do not use any abrasive or solvent-based cleaner.
- Regularly open the chuck and tap it to remove any dust from the interior (when fitted).

Technical data

BPHR223K		
Power input	W	720
No-load speed	/min	0-980
Impact rate	BPM	0-5200
Impact energy	J	2.0
Modes		3
Max capacity		
Concrete	mm	22
Steel	mm	13
Wood	mm	30
Weight	kg	3.0

Protecting the environment



Separate collection. This product must not be disposed of with normal household waste.

Should you find one day that your Black & Decker product needs replacement, or if it is of no further use to you, do not dispose of it with household waste. Make this product available for separate collection.



Separate collection of used products and packaging allows materials to be recycled and used again.

Reuse of recycled materials helps prevent environmental pollution and reduces the demand for raw materials.

Local regulations may provide for separate collection of electrical products from the household, at municipal waste sites or by the retailer when you purchase a new product.

Black & Decker provides a facility for the collection and recycling of Black & Decker products once they have reached the end of their working life. To take advantage of this service please return your product to any authorised repair agent who will collect them on our behalf.

You can check the location of your nearest authorised repair agent by contacting your local Black & Decker office at the address indicated in this manual. Alternatively, a list of authorised Black & Decker repair agents and full details of our after-sales service and contacts are available on the Internet at: www.2helpU.com.

Service Information

Black & Decker offers a full network of company-owned and authorized service locations throughout Asia. All Black & Decker Service Centers are staffed with trained personnel to provide customers with efficient and reliable power tool service. Whether you need technical advice, repair, or genuine factory replacement parts, contact the Black & Decker location nearest to you.

Notes

- Black & Decker's policy is one of continuous improvement to our products and, as such, we reserve the right to change product specifications without prior notice.
- Standard equipment and accessories may vary by country.
- Product specifications may differ by country.
- Complete product range may not be available in all countries.
- Contact your local Black & Decker dealers for range availability.

Guarantee

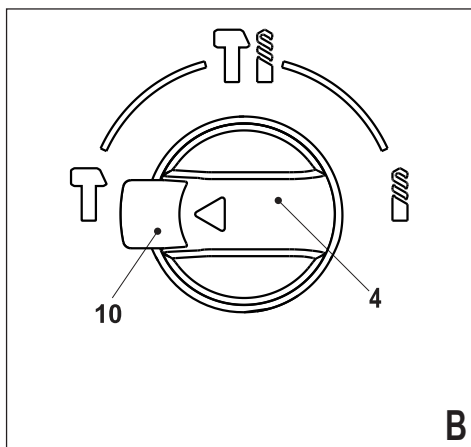
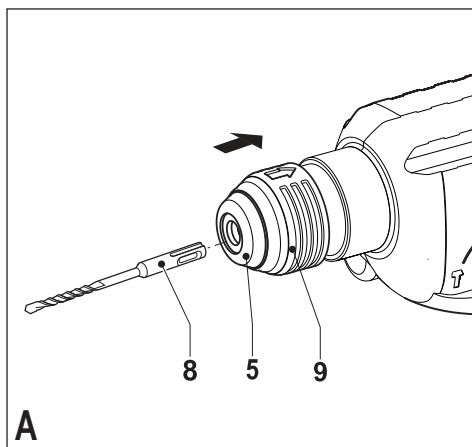
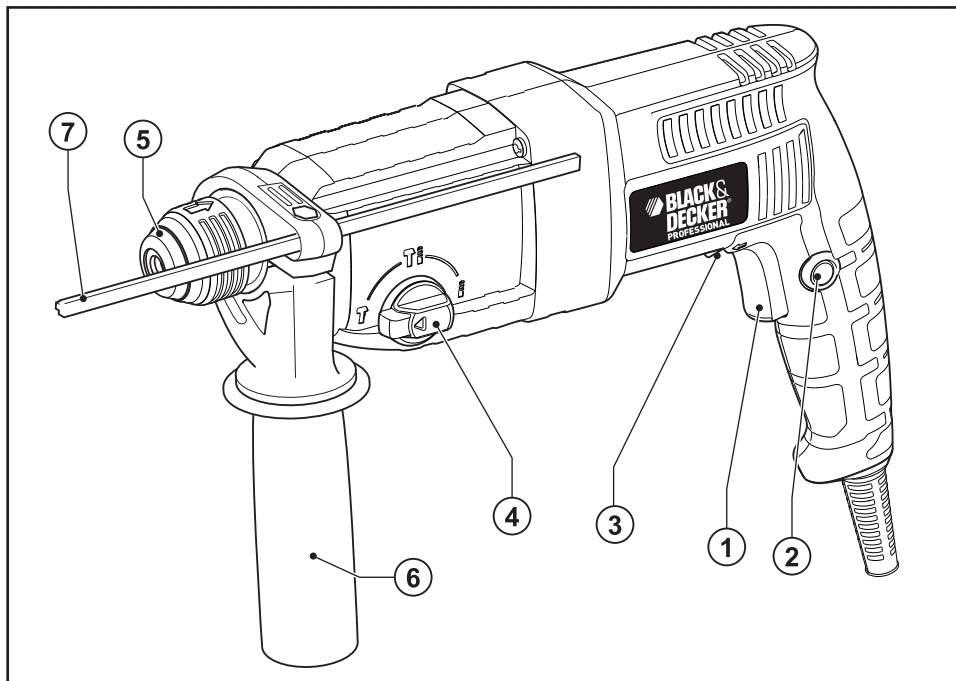
Black & Decker is confident of the quality of its products and offers an outstanding guarantee. This guarantee statement is in addition to and in no way prejudices your statutory rights. The guarantee is valid within the territories of the Member States of the European Union and the European Free Trade Area.

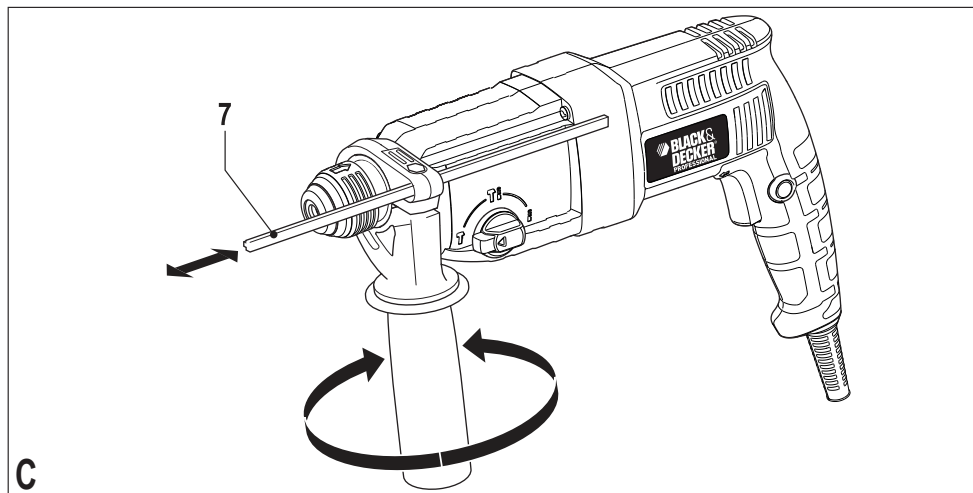
If a Black & Decker product becomes defective due to faulty materials, workmanship or lack of conformity, within 12 months from the date of purchase, Black & Decker guarantees to replace defective parts, repair products subjected to fair wear and tear or replace such products to make sure of the minimum inconvenience to the customer unless:

- ◆ The product has been used for trade, professional or hire purposes.
- ◆ The product has been subjected to misuse or neglect.
- ◆ The product has sustained damage through foreign objects, substances or accidents.
- ◆ Repairs have been attempted by persons other than authorised repair agents or Black & Decker service staff.

To claim on the guarantee, you will need to submit proof of purchase to the seller or an authorised repair agent. You can check the location of your nearest authorised repair agent by contacting your local Black & Decker office at the address indicated in this manual. Alternatively, a list of authorised Black & Decker repair agents and full details of our aftersales service and contacts are available on the Internet at: www.2helpU.com

Please visit our website www.blackanddecker.co.uk to register your new Black & Decker product and to be kept up to date on new products and special offers. Further information on the Black & Decker brand and our range of products is available at www.blackanddecker.co.uk.





C

Utilisation prévue

Votre perceuse à percussion rotative Black & Decker SDS plus a été conçue pour percer le bois, le métal, le plastique et la pierre. Elle peut aussi être utilisée pour des travaux de burinage léger.

Consignes de sécurité

Consignes de sécurité concernant les outils électroportatifs

Attention ! Lisez avec attention tous les avertissements et toutes les instructions. Le non-respect de cette consigne peut entraîner une électrocution, un incendie et/ou de graves blessures.



Conservez tous les avertissements et instructions pour référence ultérieure.

La notion « d'outil électroportatif » mentionnée dans les consignes de sécurité se rapporte à des outils électriques raccordés au secteur (avec câble de raccordement) ou fonctionnant sur piles ou batterie (sans fil).

1. Sécurité de la zone de travail

- Maintenez la zone de travail propre et bien éclairée.** Un lieu de travail en désordre ou mal éclairé augmente le risque d'accidents.
- N'utilisez pas les outils électroportatifs dans un environnement présentant des risques d'explosion ni en présence de liquides, gaz ou poussières inflammables.** Les outils électroportatifs génèrent des étincelles risquant d'enflammer les poussières ou les vapeurs.
- Tenez les enfants et autres personnes éloignés durant l'utilisation de l'outil électroportatif. En cas d'inattention, vous risquez de perdre le contrôle de l'outil.**

2. Sécurité électrique

- La prise de l'outil électroportatif doit être compatible avec la prise d'alimentation. Ne modifiez en aucun cas la prise. N'utilisez pas de prises d'adaptateur avec des appareils ayant une prise de terre.** Le respect de ces consignes réduit le risque de choc électrique.
- Évitez le contact physique avec des surfaces mises à la terre telles que tuyaux, radiateurs, fours et réfrigérateurs.** Il y a un risque élevé de choc électrique si votre corps est relié à la terre.
- N'exposez pas l'outil électroportatif à la pluie ou à l'humidité.** La pénétration d'eau dans un outil électroportatif augmente le risque de choc électrique.
- Préservez le câble d'alimentation. N'utilisez pas le câble pour porter l'outil, pour l'accrocher.** Ne le tirez pas pour le débrancher. Maintenez le câble éloigné des sources de chaleurs, des parties huilées, des bords

tranchants ou des parties de l'appareil en rotation.

Le risque de choc électrique augmente si les câbles sont endommagés ou emmêlés.

- Si vous utilisez l'outil électroportatif à l'extérieur, utilisez une rallonge homologuée pour une utilisation à l'extérieur.** L'utilisation d'une rallonge électrique homologuée pour les travaux à l'extérieur réduit le risque de choc électrique.
 - Si l'outil doit être utilisé dans un endroit humide, prenez les précautions nécessaires en utilisant un dispositif à courant résiduel (RCD).** L'utilisation d'un tel dispositif réduit les risques d'électrocution.
- #### 3. Sécurité personnelle
- Restez vigilant, surveillez ce que vous faites. Faites preuve de bon sens quand vous utilisez un outil électroportatif. N'utilisez pas l'outil lorsque vous êtes fatigué ou après avoir consommé de l'alcool ainsi que des médicaments.** Un moment d'inattention lors de l'utilisation de l'outil peut entraîner de graves blessures.
 - Portez un équipement de protection. Portez toujours des lunettes de protection.** Selon le travail à effectuer, le port d'équipement de protection tels que masque anti-poussières, chaussures de sécurité antidérapantes, casque ou protection auditive, réduit le risque de blessures.
 - Évitez un démarrage imprévu. L'outil doit être en position OFF (arrêt) avant d'effectuer le branchement à l'alimentation et/ou au bloc-batterie, de le ramasser ou de le porter.** Ne laissez pas votre doigt sur le bouton de commande en le transportant. N'alimentez pas l'outil si le bouton est activé. Ceci pourrait être à l'origine d'accident.
 - Enlevez tout outil ou clé de réglage avant de mettre l'appareil en marche.** Une clé ou un outil se trouvant sur une pièce en rotation peut causer des blessures.
 - Adoptez une position confortable. Adoptez une position stable et gardez votre équilibre en permanence.** Vous contrôlerez mieux l'outil dans des situations inattendues.
 - Portez des vêtements appropriés. Ne portez pas de vêtements amples ou de bijoux. N'approchez pas les cheveux, vêtements ou gants des parties des pièces mobiles.** Les vêtements amples, les bijoux ou les cheveux longs peuvent s'accrocher dans les pièces en mouvement.
 - En cas d'utilisation d'appareils servant à aspirer ou à recueillir les poussières, assurez-vous qu'ils sont correctement raccordés et utilisés.** L'utilisation de tels dispositifs réduit les dangers dus aux poussières.

4. Utilisation des outils électroportatifs et précautions

- a. **Respectez la capacité de l'outil. Utilisez l'outil électroportatif correspondant au travail à effectuer.** Avec un outil approprié, vous travaillerez mieux et en toute sécurité.
- b. **N'utilisez pas un outil électroportatif dont l'interrupteur est défectueux.** Un outil électroportatif qui ne peut plus être mis en marche/arrêt présente un danger et doit être réparé.
- c. **Retirez la prise de courant et/ou débranchez le bloc-batterie avant d'effectuer des réglages, de changer les accessoires ou de ranger l'outil.** Cette mesure de précaution empêche de mettre l'outil en marche accidentellement.
- d. **Rangez les outils électroportatifs hors de portée des enfants. Les personnes ne connaissant pas l'outil ou n'ayant pas lu ces instructions ne doivent en aucun cas l'utiliser.** Les outils électroportatifs sont dangereux lorsqu'ils sont utilisés par des personnes non initiées.
- e. **Entretenez les outils électroportatifs. Vérifiez que les parties en mouvement fonctionnent correctement et qu'elles ne sont pas coincées. Vérifiez qu'il n'y a pas de pièces cassées ou endommagées susceptibles de nuire au bon fonctionnement de l'outil. S'il est endommagé, faites réparer l'outil avant de l'utiliser.** De nombreux accidents sont dus à des outils électroportatifs mal entretenus.
- f. **Maintenez les outils de coupe aiguisés et propres.** Des outils soigneusement entretenus avec des bords tranchants bien aiguisés se coincent moins souvent et peuvent être guidés plus facilement.
- g. **Utilisez les outils électroportatifs, les accessoires, etc., en suivant ces instructions et en tenant compte des conditions de travail, ainsi que du travail à effectuer.** L'utilisation des outils électroportatifs à d'autres fins que celles prévues peut vous mettre en situation dangereuse.

5. Réparations

- a. **Faites réparer votre outil électroportatif uniquement par du personnel qualifié et seulement avec des pièces de rechange appropriées.** Cela garantira le maintien de la sécurité de votre outil.

Consignes de sécurité supplémentaires pour les outils électriques



Attention ! Consignes de sécurité supplémentaires pour les opérations telles que le meulage, le ponçage, le nettoyage avec une brosse métallique, le polissage ou la découpe par abrasion..

- **Portez un serre-tête antibruit.** L'exposition au bruit peut entraîner la perte de l'ouïe.
- **Utilisez les poignées auxiliaires livrées avec l'outil.** La perte de contrôle peut entraîner des blessures.
- **Tenez l'outil au niveau des surfaces de prise isolées. Ceci permet d'éviter les accidents en cas de contact de l'accessoire de coupe avec des fils cachés ou son propre câble.** En touchant un fil sous tension, la charge électrique passe dans les parties métalliques de l'outil électroportatif et il y a risque de choc électrique.
- N'utilisez jamais un burin en mode rotatif. L'accessoire peut se tordre à l'intérieur du matériel et faire tourner le foret.
- Utilisez des pinces ou autres pour fixer et soutenir la pièce de manière stable. Si vous la tenez à la main ou contre votre corps, elle ne sera pas stable et vous pouvez en perdre le contrôle.
- Avant de percer les murs, les planchers ou les plafonds, vérifiez l'emplacement des câblages et des tuyaux.
- Évitez de toucher le bout d'un foret juste après avoir percé. Il peut être chaud.
- Les consignes d'utilisation sont données dans ce manuel d'instructions. L'utilisation d'un accessoire ou d'une fixation, ou bien l'utilisation de cet outil à d'autres fins que celles recommandées dans ce manuel d'instructions peut entraîner des blessures et/ou des dommages matériels.

Sécurité des personnes

- Cet appareil ne doit pas être utilisé par des personnes (y compris les enfants) ayant des déficiences physiques, mentales ou sensorielles. Cette consigne s'applique aussi aux personnes manquant d'expérience et de connaissance du matériel, à moins que celles-ci n'aient reçu les instructions appropriées ou qu'elles ne soient encadrées par une personne responsable de leur sécurité pour utiliser l'appareil.
- Ne laissez jamais les enfants sans surveillance pour éviter qu'ils ne jouent avec cet outil.

Risques résiduels.

L'utilisation d'un outil non mentionné dans les consignes de sécurité données peut entraîner des risques résiduels supplémentaires. Ces risques peuvent survenir si la machine est mal utilisée, si l'utilisation est prolongée, etc.

Malgré l'application des normes de sécurité correspondantes et la présence de dispositifs de sécurité, les risques résiduels suivants ne peuvent être évités. Ceci comprend :

- Les blessures dues au contact avec une pièce mobile/en rotation.
- Les blessures causées en changeant des pièces, lames ou accessoires.
- Les blessures dues à l'utilisation prolongée d'un outil. Une utilisation prolongée de l'outil nécessite des pauses régulières.
- Déficience auditive.
- Risques pour la santé causés par l'inhalation de poussières produites pendant l'utilisation de l'outil (exemple : travail avec du bois, surtout le chêne, le hêtre et les panneaux en MDF).

Étiquettes de l'outil

Les pictogrammes ci-dessous se trouvent sur l'appareil :



Attention ! Pour réduire le risque de blessures, l'utilisateur doit lire le manuel d'instructions.



Portez toujours des lunettes de sécurité pour utiliser cet outil.



Portez toujours des protections auditives pour utiliser cet outil.

Sécurité électrique

Cet outil est doublement isolé. Par conséquent, aucun câble de mise à la terre n'est nécessaire. Vérifiez si l'alimentation mentionnée sur la plaque signalétique de l'outil correspond bien à la tension présente sur le lieu.

- Si le câble d'alimentation est endommagé, il doit être remplacé par le fabricant ou par un Centre de réparation Black & Decker agréé pour éviter tout danger.

Utilisation d'un cordon prolongateur

Si l'utilisation d'un cordon prolongateur est nécessaire, utilisez une rallonge approuvée dont la puissance nominale correspond à l'outil (voir Données techniques). La taille minimale du conducteur est de 1,5 mm². Si vous utilisez un enrouleur de câble, déroulez toujours le câble entièrement.

Taille des conducteurs (mm ²)	Tension nominale du câble (Ampères)
0.75	6
1.00	10
1.50	15
2.50	20
4.00	25
Cable length (m)	
	7.5 15 25 30 45 60

Tension	Ampères	Tension nominale du câble (Ampères)					
220-240	0 - 2.0	6	6	6	6	6	6
	2.1 - 3.4	6	6	6	6	6	6
	3.5 - 5.0	6	6	6	6	10	15
	5.1 - 7.0	10	10	10	10	15	15
	7.1 - 12.0	15	15	15	15	20	20
	12.1 - 20.0	20	20	20	20	25	-

Description

Cet outil comprend certains ou tous les éléments suivants.:

1. Sélecteur de vitesse
2. Bouton de verrouillage
3. Interrupteur de commande avant / arrière
4. Sélecteur de mode de perçage
5. Support outil
6. Poignée latérale
7. Butée de profondeur

Assemblage

Attention ! Avant l'assemblage, assurez-vous que l'outil est éteint et débranché.

Installation de la poignée latérale

- Tournez le manche dans le sens inverse des aiguilles d'une montre jusqu'à ce que la poignée latérale (6) puisse glisser sur l'avant de l'outil, comme indiqué.
- Tournez la poignée latérale dans la position désirée.
- Serrez la poignée latérale en tournant le manche dans le sens des aiguilles d'une montre.



Attention! Utilisez toujours l'outil avec la poignée latérale installée.

Mise en place d'un accessoire (fig.A)

- Nettoyez et graissez l'embout (8) de l'accessoire.
- Tirez le manchon (9) et insérez l'embout dans le support outil (5).
- Poussez l'accessoire et tournez-le légèrement jusqu'à ce qu'il soit dans les fentes.
- Tirez sur l'accessoire pour vérifier le verrouillage. La fonction martelage a besoin de l'accessoire pour pouvoir se déplacer sur son axe de plusieurs centimètres quand il est verrouillé dans le support outil.
- Pour retirer l'accessoire, tirez le manchon (9) et enlevez l'accessoire du support outil.

Utilisation

Attention! Laissez l'outil fonctionner à sa propre vitesse. Ne le surchargez pas.

Attention! Avant de percer les murs, les planchers ou les plafonds, vérifiez l'emplacement des câblages et des tuyaux.

Sélection du mode de fonctionnement (fig. B)

L'outil peut être utilisé dans trois modes de fonctionnement. Appuyez sur le bouton (10) et tournez le sélecteur de mode de perçage (4) sur la position désirée, comme indiqué par les symboles.

Perçage

- Pour percer dans l'acier, le bois et le plastique, réglez le sélecteur de mode de perçage (4) sur la position **1**.

Perçage au marteau

- Pour percer de la pierre ou du béton, réglez le sélecteur de mode de perçage (4) sur la position **1**.
- Pendant le perçage au marteau, l'outil doit fonctionner correctement et sans rebondir. En cas de besoin, Martelage

- Pour marteler avec l'axe de verrouillage, et pour les travaux de burinage et d'ébarbages légers, réglez le sélecteur de mode de perçage (4) sur la position **T**.
- Assurez-vous que l'interrupteur de commande avant/arrière est dans la position avant.
- Pour passer du perçage au burinage, tournez le burin dans la position désirée. Si une résistance se fait ressentir pendant le changement de mode, tournez légèrement le burin pour engager l'axe de verrouillage.

Sélection du sens de rotation

Pour percer et pour buriner, utilisez la rotation avant (sens horaire). Pour retirer un foret bloqué, utilisez la rotation dans le sens inverse (sens antihoraire).

- Pour sélectionner la rotation avant, poussez l'interrupteur de commande avant/arrière (3) vers la gauche.
- Pour sélectionner la rotation arrière, poussez l'interrupteur de commande avant/arrière vers la droite.

Attention! Ne changez jamais le sens de rotation quand le moteur tourne.

Réglage de la profondeur de perçage (fig. C)

- Desserrez la poignée latérale (6) en tournant le manche dans le sens antihoraire.
- Réglez la butée de profondeur (7) sur la position désirée. La profondeur de perçage maximale est égale à la distance entre le bout du foret et l'extrémité avant de la butée de profondeur.
- Resserrez la poignée latérale en tournant le manche dans le sens horaire.

Mise en marche et arrêt

- Pour mettre l'outil en marche, appuyez sur le sélecteur de vitesse (1). La vitesse de l'outil dépend de la pression exercée sur le sélecteur.
- En règle générale, les vitesses lentes correspondent aux forets à large diamètre et les vitesses rapides aux forets de faible diamètre.
- En mode continu, appuyez sur le bouton de verrouillage (2) et relâchez le sélecteur de vitesse. Cette option n'est disponible qu'en mode de rotation avant (sens horaire).

- Pour arrêter l'outil, relâchez le sélecteur de vitesse. Pour arrêter l'outil lorsqu'il est en mode continu, appuyez de nouveau sur le sélecteur de vitesse puis relâchez-le.

Accessoires

La qualité du travail réalisé par votre outil dépend des accessoires utilisés. Les accessoires Black & Decker et Piranha correspondent aux normes de qualité supérieure et sont conçus pour donner le meilleur résultat possible. En utilisant ces accessoires, votre outil vous donnera entière satisfaction.

Entretien

Votre appareil/outil sans fil/avec fil Black & Decker a été conçu pour fonctionner pendant longtemps avec un minimum d'entretien. Un fonctionnement continu satisfaisant dépend d'un nettoyage régulier et d'un entretien approprié de l'outil.

Attention ! À ne pas oublier avant l'entretien des appareils électriques sans fil/avec fil :

- Éteignez et débranchez l'appareil/l'outil.
- Ou éteignez et enlevez la batterie de l'appareil/outil, si l'appareil/outil est équipé d'un pack batterie séparé.
- Ou laissez la batterie se vider complètement si elle est intégrée, puis éteignez l'outil.
- Débranchez le chargeur avant de le nettoyer. Aucun entretien particulier n'est nécessaire pour le chargeur en dehors d'un nettoyage régulier.
- Nettoyez régulièrement les orifices de ventilation de votre appareil/outil/chargeur à l'aide d'une brosse souple ou d'un chiffon sec.
- Nettoyez régulièrement le compartiment du moteur à l'aide d'un chiffon humide. N'utilisez pas de produit abrasif ou à base de solvant.
- Ouvrez régulièrement le mandrin et retirez la poussière en le tapant (si installé). augmentez la vitesse.

Données techniques

BPHR223K		
Puissance nominale	W	720
Vitesse à vide	/min	0-980
Résistance au choc	coups/min	0-5200
Force du choc	J	2
Modes		3
Capacité max.		
Béton	mm	22
Acier	mm	13
Bois	mm	30
Poids	kg	3

Protection de l'environnement



Recyclage. Cet appareil ne doit pas être jeté avec les déchets ménagers.

Si votre appareil/outil Black & Decker doit être remplacé ou si vous ne l'utilisez plus, ne le jetez pas avec les ordures ménagères. Songez à la protection de l'environnement et recyclez-le.

La collecte séparée des produits et des emballages usagés permet de recycler et de réutiliser des matériaux. La



réutilisation de matériaux recyclés évite la pollution de l'environnement et réduit la demande de matières premières.

Des réglementations locales peuvent stipuler la collecte séparée des produits électriques et des produits ménagers, dans des déchetteries municipales ou par le revendeur lorsque vous achetez un nouveau produit.

Black & Decker offre une solution permettant de recycler les produits Black & Decker lorsqu'ils ont atteint la fin de leur cycle de vie. Pour pouvoir profiter de ce service, veuillez retourner votre produit à un réparateur agréé qui se chargera de le collecter pour nous.

Pour connaître l'adresse du réparateur agréé le plus proche de chez vous, contactez le bureau Black & Decker à l'adresse indiquée dans ce manuel. Vous pourrez aussi trouver une liste de réparateurs agréés Black & Decker et de plus amples détails sur notre service après-vente sur le site Internet à l'adresse suivante : www.2helpU.com

Informations sur les services

Black & Decker offre un large réseau de centres de service appartenant à la société ou agréés partout en Asie. Tous les centres Black & Decker sont dotés de personnel qualifié pour assurer aux clients une qualité et une fiabilité de service dans la réparation de leurs outils électriques. Que vous ayez besoin de conseils techniques, de réparations ou de pièces de rechange d'origine, il suffit de contacter le centre Black & Decker le plus proche.

Remarques

- Black & Decker mène une politique d'amélioration continue de ses produits et se réserve, de ce fait, le droit d'en modifier les caractéristiques sans préavis.
- Les équipements d'origine et les accessoires peuvent varier d'un pays à l'autre.
- Les caractéristiques d'un produit peuvent varier d'un pays à l'autre.
- La gamme complète des produits peut ne pas être offerte dans tous les pays.
- Contactez votre revendeur Black & Decker pour connaître la disponibilité de la gamme.

Garantie

Black & Decker vous offre une garantie très élargie ainsi que des produits de qualité. Ce certificat de garantie est un document supplémentaire et ne peut en aucun cas se substituer à vos droits légaux. La garantie est valable sur tout le territoire des États Membres de l'Union Européenne et de la Zone de Libre Échange Européenne.

Si un produit Black & Decker s'avère défectueux en raison de matériaux en mauvaises conditions, d'une erreur humaine, ou d'un manque de conformité dans les 24 mois suivant la date d'achat, Black & Decker garantit le remplacement des pièces défectueuses, la réparation des produits usés ou cassés ou remplace ces produits à la convenance du client, sauf dans les circonstances suivantes

- ♦ Le produit a été utilisé dans un but commercial, professionnel, ou a été loué;
- ♦ Le produit a été mal utilisé ou utilisé avec négligence;
- ♦ Le produit a subi des dommages à cause d'objets étrangers, de substances ou à cause d'accidents;
- ♦ Des réparations ont été tentées par des techniciens ne faisant pas partie du service technique de Black & Decker.

Pour avoir recours à la garantie, il est nécessaire de fournir une preuve d'achat au vendeur ou à un réparateur agréé.

Pour connaître l'adresse du réparateur agréé le plus proche de chez vous, contactez le bureau Black & Decker à l'adresse indiquée dans ce manuel. Vous pourrez aussi trouver une liste de réparateurs agréés Black & Decker et de plus amples détails sur notre service après-vente sur le site Internet à l'adresse suivante : www.2helpU.com

Visitez notre site Web www.blackanddecker.fr pour enregistrer votre nouveau produit Black & Decker et être informé des nouveaux produits et des offres spéciales. Pour plus d'informations concernant la marque Black & Decker et notre gamme de produits, consultez notre site www.blackanddecker.fr

حماية البيئة



تجميع منفصل. يجب عدم إلقاء هذا المنتج مع المخلفات المنزلية. إذا تبين لك في أحد الأيام بأنه يجب تبديل جهاز بلاك أند ديكر الخاص بك أو لم تعد بحاجة لاستخدامه، لا تتخلص منه مع المخلفات المنزلية. وقم بتوفير هذا المنتج للتجميع المنفصل.



يمكن التجميع المنفصل للمنتجات والعبوات المستخدمة من إعادة تدوير المواد واستخدامها مرة أخرى، إن يساعد إعادة استخدام المواد المعاد تدويرها على منع التلوث البيئي وخفض الطلب على المواد الخام

قد تنص التشريعات المحلية على تجميع منفصل للمنتجات الكهربائية عن المخلفات المنزلية في مواقع مخططات البلدية أو تاجر التجزئة عند شراء منتج جديد.

توفر بلاك أند ديكر منشأة لتجميع وإعادة تدوير منتجات بلاك أند ديكر عند وصول تلك المنتجات لنهاية عمرها النافع. وللاستفادة من هذه الخدمة، يرجى إعادة المنتج إلى أي وكيل إصلاح معتمد الذي سيقوم بتجميع المنتجات نيابة عنا.

يمكنك معرفة مكان أقرب وكيل إصلاح معتمد بمراجعة مكتب بلاك أند ديكر المحلي في العنوان المشار إليه في الدليل. كما تتوفر قائمة بوكلاء الإصلاح المعتمدين لدى بلاك أند ديكر وبيانات خدمات ما بعد البيع والاتصال على الموقع الإلكتروني: www.2helpU.com

معلومات الخدمة

توفر بلاك أند ديكر شبكة كاملة من مراكز الخدمة المعتمدة المملوكة للشركة في جميع أرجاء آسيا. ويعمل في جميع مراكز الخدمة التابعة لبلاك أند ديكر أفراد مؤهلون على تقديم خدمة فعالة وجديرة بالثقة لجميع الأجهزة بما يحقق رضا العملاء. فإذا ما كنت ترغب في الحصول على مشورة فنية أو إصلاح الأجهزة أو الحصول على قطع غيار أصلية، ما عليك سوى الاتصال بأقرب مركز خدمة لبلاك أند ديكر.

ملاحظات

• تعتمد سياسة بلاك أند ديكر على تحسين منتجاتنا باستمرار، وبناءً على ذلك فإننا نحفظ بحقنا في تغيير مواصفات المنتج دون إشعار مسبق.

• قد تختلف المعدات والملحقات القياسية حسب البلد.

• قد تختلف مواصفات المنتج حسب البلد.

• قد لا تتوفر تشكيلة المنتجات الكاملة في كافة الدول.

• يرجى التواصل مع موزعي بلاك أند ديكر للتحقق من توافر المنتجات.

الضمان

تتفق بلاك أند ديكر بجودة منتجاتها وتقدم ضماناً مميزاً. ويكون بيان الضمان هذا بالإضافة ولا يخل بأي حال من الأحوال بالحقوق القانونية. ويسري هذا الضمان داخل إقليم الدول الأعضاء في الإتحاد الأوربي ومنطقة التجارة الحرة الأوروبية.

إذا أصبح منتج بلاك أند ديكر معيباً بسبب عيوب المواد والصناعة وعدم المطابقة، تضمن بلاك أند ديكر في غضون 24 شهراً من تاريخ الشراء استبدال الأجزاء المعيبة وإصلاح المنتجات مع مراعاة البلي بالاستخدام العادي أو استبدال هذه المنتجات للتأكد من رضا العملاء ما لم:

• تم استخدام المنتج لأغراض تجارية أو مهنية أو للتأجير.

• إهمال أو إساءة استخدام المنتج.

• تعرض المنتج لتلف بسبب مواد أو أغراض غريبة أو الحوادث.

• محاولة إجراء عمليات الإصلاح من قبل الأشخاص الآخرين بخلاف وكلاء الإصلاح المصرح بهم أو فريق الخدمة التابع لبلاك أند ديكر.

للمطالبة بالضمان، يجب تقديم إثبات الشراء للبائع أو وكيل البيع المعتمد. ويمكنك معرفة مكان أقرب وكيل إصلاح معتمد بمراجعة مكتب بلاك أند ديكر المحلي في العنوان المشار إليه في الدليل. كما تتوفر قائمة بوكلاء الإصلاح المعتمدين لدى بلاك أند ديكر وبيانات خدمات ما بعد البيع والاتصال على الموقع الإلكتروني: www.2helpU.com

يرجى مراجعة موقعنا الإلكتروني

www.blackanddecker.co.uk لتسجيل منتجك الجديد من بلاك

أند ديكر ولمعرفة أحدث المنتجات والعروض الخاصة. وللحصول على المزيد من المعلومات حول علامة بلاك أند ديكر ومنتجاتنا، يرجى زيارة

www.blackanddecker.co.uk

البيانات الفنية

BPHR223K	
720	الطاقة الكهربائية الداخلة وات
0-980	السرعة بدون حمل دورة في الدقيقة
0-5200	معدل الطرق طرقة في الدقيقة
2.0	طاقة الطرق جول
3	الأوضاع
القدرة القصوى	
22	الخرسانة ملليمتر
13	الصلب ملليمتر
30	الخشب ملليمتر
3.0	الوزن كجم

- لإيقاف تشغيل الجهاز، حرر مفتاح السرعة المتغيرة. وإيقاف تشغيل الجهاز عندما يكون في وضع التشغيل المستمر، اضغط على مفتاح السرعة المتغيرة مرة أخرى وحرره.

الملحقات

يعتمد أداء الجهاز على نوع الملحقات المستخدمة. وتم تصميم ملحقات بلاك أند ديكر وتصنيعها وفقاً لمعايير عالية الجودة لتحسين استخدامك للجهاز. وباستخدام هذه الملحقات، ستحقق أكبر استفادة ممكنة من الجهاز.

الصيانة

جهاز بلاك أند ديكر مصمم ليديم لفترة طويلة بأقل قدر من الحاجة للصيانة. حيث يعتمد استمرار الجهاز في أداء عمله على النحو المرضي على العناية المناسبة والتنظيف المنتظم.

تحذيراً قبل إجراء أية صيانة للأجهزة الكهربائية السلكية وغير السلكية:

- قم بإيقاف تشغيل الجهاز وفصله عن مصدر التيار.
- أو قم بإيقاف التشغيل وفصل البطارية عن الجهاز إذا كان الجهاز يعمل ببطارية منفصلة.
- أو قم بتفريغ البطارية تماماً إذا كانت مدمجة بالجهاز ثم قم بإيقاف التشغيل.
- افصل الشاحن عن مصدر التيار قبل تنظيفه. لا يحتاج الشاحن الخاص بك إلى أي صيانة بخلاف التنظيف الدوري.
- نظّف فتحات التهوية الموجودة في الجهاز / الشاحن بانتظام باستخدام فرشاة ناعمة أو قطعة قماش جافة.
- نظّف علبة إيواء المحرك بانتظام باستخدام قطعة قماش رطبة. لا تستخدم أي منظفات كاشطة أو مذيبة.
- افتح الظرف بانتظام واشطفه لإزالة أي غبار موجود بالداخل (عندما يكون مثبتاً في الجهاز).

الطرق

- للطرق مع قفل محور الدوران، ولاستعمالات النحت الخفيف والقطع الرقائقي، اضبط محدد أوضاع التشغيل (٤) على الوضع "T".
- تأكد من أن مفتاح الدوران للأمام / الخلف على وضع الدوران للأمام.
- عند التبديل من الثقب المطرقي إلى النحت، حرك الإزميل إلى الوضع المطلوب. وفي حالة الشعور بمقاومة أثناء تغيير الوضع، حرك الإزميل قليلاً لتشغيل قفل محور الدوران.

تحديد اتجاه الدوران

- للثقب والنحت، استخدام الدوران للأمام (في اتجاه عقارب الساعة) ولإزالة لقمة ثقب محشورة، استخدام الدوران للخلف (في عكس اتجاه عقارب الساعة).
- لاختيار الدوران للأمام، ادفع مفتاح الدوران للأمام / للخلف المنزلق (٣) جهة اليسار.
- لاختيار الدوران للخلف، ادفع مفتاح الدوران للأمام / للخلف المنزلق (٣) جهة اليمين.

تحذير! لا تقم أبداً بتغيير اتجاه الدوران أثناء حركة المحرك.

تحديد عمق الثقب (الشكل "ج")

- فك المقبض الجانبي (٦) عن طريق لف المقبض في عكس اتجاه عقارب الساعة.
- اضبط مسمار تحديد العمق (٧) على الوضع المطلوب. ويكون الحد الأقصى لعمق القطع مساوياً للمسافة بين طرف لقمة الثقب ومقدمة مسمار تحديد العمق.
- اربط المقبض الجانبي بإحكام من خلال لف المقبض في اتجاه عقارب الساعة.

التشغيل وإيقاف التشغيل

- لتشغيل الجهاز، اضغط على مفتاح السرعة المتغيرة (١)، وتتوقف سرعة الجهاز على مقدار ضغطك على المفتاح.
- كقاعدة عامة، استخدم السرعات المنخفضة مع لقم الثقب الكبيرة القطر واستخدم السرعات العالية مع لقم الثقب الصغيرة القطر.
- للتشغيل المستمر، اضغط على زر القفل (٢) وحرر مفتاح السرعة المتغيرة. ويتوفر هذا الخيار فقط في وضع الدوران للأمام (في اتجاه عقارب الساعة).

تحذير! استخدام الجهاز دائماً والمقبض الجانبي مثبت في مكانه جيداً.



تركيب الملحقات (الشكل "ا")

- قم بتنظيف وتشحيم مقبض (٨) من الملحق.
- اسحب الجلبة (٩) للخلف وادخل الساق في ماسك الملحق الدوار (٥).
- ادفع الملحق لأسفل وحركه قليلاً إلى أن يدخل في الفتحات.
- اسحب الملحق للتأكد من إحكام تثبيته. تتطلب خاصية الطرق أن يكون الملحق قادراً على الحركة لعدة سنتيمترات حول محوره عندما يكون مثبتاً في ماسك الملحق الدوار.
- لإزالة الملحق، اسحب الجلبة (٩) للخلف واسحب الملحق من ماسك الملحق الدوار.

الاستخدام

تحذير! دع الجهاز يعمل بسرعه العاديه. لا تقم بالتحميل عليه.

تحذير! عند الثقب في الجدران أو الأرضيات أو الأسقف، تحقق من مكان الأسلاك والمواسير.

اختيار وضع التشغيل (الشكل "ب")

يمكن تشغيل الجهاز في ثلاثة أوضاع. اضغط على الزر (١٠) وقم بلف محدد أوضاع التشغيل (٤) نحو الوضع المطلوب كما هو موضح بالرموز.

الثقب

- للثقب في المعادن والأخشاب والبلاستيك، اضبط محدد أوضاع التشغيل (٤) على الوضع "2".

الثقب المطرقي

- للثقب المطرقي في الطوب والخرسانة، اضبط محدد أوضاع التشغيل (٤) على الوضع "T".
- عند الثقب المطرقي، يجب أن يعمل الجهاز بسلاسة وألا يرتد. وقم بزيادة السرعة عند الضرورة.

حجم الموصل (بالمليمتر المربع)	تصنيف الكابل (بالأمبير)
٠,٧٥	٦
١,٠٠	١٠
١,٥٠	١٥
٢,٥٠	٢٠
٤,٠٠	٢٥
طول الكابل (بالمتر)	
٦٠٢٥ ٤٥ ٣٠ ٢٥ ١٥ ٧,٥	

الجهد الكهربائي	الأمبير تصنيف الكابل (بالأمبير)
٢٤٠-٢٢٠	٦ ٦ ٦ ٦ ٦ ٦
٣,٤-٢,١	٦ ٦ ٦ ٦ ٦ ٦
٥,٠-٣,٥	٦ ٦ ٦ ٦ ٦ ٦
٧,٠-٥,١	١٠ ١٠ ١٠ ١٠ ١٠ ١٠
١٢,٠-٧,١	١٥ ١٥ ١٥ ١٥ ١٥ ١٥
١٢,٠-٢٠,٢٠	٢٠ ٢٠ ٢٠ ٢٠ ٢٠ ٢٠

الخصائص

يحتوي هذا الجهاز على كل أو بعض الخصائص التالية:

١. مفتاح سرعة متغير
٢. زر قفل
٣. مفتاح دوران للأمام أو للخلف
٤. محدد أوضاع التشغيل
٥. ماسك الملحق للدوار
٦. المقبض الجانبي
٧. مسمار تحديد العمق

التجميع

تحذير! قبل التجميع، أوقف تشغيل الجهاز وافصله من الطاقة.

تركيب المقبض الجانبي

- قم بلف القبضة بعكس اتجاه عقارب الساعة إلى أن يمكنك تثبيت المقبض الجانبي (٦) في مقدمة الجهاز كما هو موضح.
- لف المقبض الجانبي إلى الوضع المطلوب.
- اربط المقبض الجانبي من خلال لف القبضة في اتجاه عقارب الساعة.

- الإصابات الناتجة عن لمس أي أجزاء دوارة/ متحركة.

- الإصابات الناتجة عن تغيير أي أجزاء أو شفرات أو ملحقات.

- الإصابات الناتجة عن استخدام الجهاز لفترة ممتدة. وعند استخدام أي جهاز لفترات طويلة ينبغي التأكد من أن يتخلل ذلك فترات توقف منتظمة.

- ضعف السمع.

- المخاطر الصحية الناتجة عن استنشاق الغبار الناتج عن استخدام الجهاز (على سبيل المثال: التعامل مع الخشب، وخاصة خشب البلوط وخشب الزان والألواح اللغيفية متوسطة الكثافة).

الرموز الموجودة على الجهاز

ترد الصور التوضيحية التالية على الجهاز:



تحذير! يجب على المستخدم مراجعة دليل التعليمات لخفض



خطورة التعرض للإصابة

ارتد نظارات الوقاية عند استخدام الأداة



ارتد واقية الأذنين عند استخدام الأداة

السلامة الكهربائية

هذا الجهاز مزدوج العزل، لذا ليست هناك حاجة لسلك أرضي. احرص دوماً على التحقق من مطابقة الجهد الكهربائي لموصل الطاقة مع الجهد الكهربائي الموجود على لوحة التصنيف.

- في حالة تلف كابل الطاقة، يجب استبداله بواسطة الشركة المصنعة أو مركز خدمة معتمد من بلاك آند ديكر لتجنب الضرر أو الإصابة.

استخدام كابل تمديد

عند الحاجة إلى استخدام كابل تمديد، استخدم كابل التمديد المطابق للجهد الكهربائي الداخل لهذا الجهاز (انظر البيانات الفنية). وإن أدنى حجم للموصل هو ١,٥ ملم مربع. وعند استخدام بكرة كابل، تأكد من سحب الكابل بالكامل. كما ينبغي الرجوع إلى الجدول التالي.

- استخدام الجهاز الكهربائي والعناية به
- أ لا تفرط في تحميل الجهاز. استخدم لتنفيذ أشغالك الجهاز المخصص لتنفيذ العمل بشكل أفضل وأكثر أماناً وفقاً لمعدل الأداء المحدد للاستخدام.
- ب لا تستخدم الجهاز الكهربائي إذا كان مفتاح تشغيله تالفاً. إذ يمثل الجهاز الكهربائي الذي لا يمكن التحكم به بواسطة مفتاح التشغيل خطورة كبيرة ويجب تصليحه.
- ج اسحب القاييس من المقبس و/أو انزع البطارية قبل ضبط الجهاز أو استبدال الملحقات أو تخزين الأجهزة الكهربائية. وتمنع احتياطات السلامة الوقائية المذكورة من تشغيل العدة الكهربائية بشكل غير مقصود.
- د احتفظ بالأجهزة الكهربائية غير المستخدمة بعيداً عن متناول الأطفال. ولا تسمح بتشغيلها من قبل الأشخاص الذين لا يجيدون استخدامها أو الذين لم يطلعوا على تلك التعليمات. إذ أن الأجهزة الكهربائية قد تشكل خطورة كبيرة إذا تم تشغيلها من قبل أشخاص غير متدربين عليها.
- ه حافظ على صيانة الأجهزة الكهربائية وافحصها للتأكد من أن الأجزاء الدوارة تعمل بشكل جيد وبأنه لا يتم عرقلة حركتها وللتعرف على وجود أية كسور فيها أو أي حالة أخرى قد تؤثر على تشغيل الأجهزة. فإذا تبين تلفها، يجب إصلاحها قبل الاستخدام. إذ تقع العديد من الحوادث بسبب الصيانة الرديئة للأجهزة الكهربائية.
- و حافظ على إبقاء عُد القطع نظيفة وحادة، إذ تقل احتمالية عرقلة حركة أدوات القطع ذات حواف القطع الحادة والتي يتم صيانتها بالشكل المناسب كما يسهل السيطرة عليها.

سلامة الآخرين

- استخدم الجهاز الكهربائي والملحقات وعُد الشغل وما إلى ذلك وفقاً لهذه التعليمات، مع الأخذ في الحسبان ظروف وطبيعة العمل المقرر تنفيذه. وقد يؤدي استخدام الجهاز الكهربائي لتنفيذ أعمال لم يخصص لأجلها الجهاز إلى التعرض لحالات خطيرة.
- إصلاح الجهاز الكهربائي
- أ لا تصلح جهازك الكهربائي إلا لدى وكيل الصيانة المؤهل باستخدام قطع الاستبدال المطابقة بما يضمن الحفاظ على سلامة الجهاز الكهربائي.

المخاطر الأخرى

- يمكن أن تنتج مخاطر أخرى إضافية عند استخدام الجهاز وقد تكون غير مشتمل عليها في تحذيرات السلامة المضمنة في الدليل. ويمكن أن تنتج هذه المخاطر عن سوء الاستخدام أو الاستخدام لفترة ممتدة... إلخ وحتى مع تطبيق لوائح السلامة ذات الصلة واستخدام أجهزة السلامة، لا يمكن تجنب بعض المخاطر الأخرى، ويشمل ذلك:

تحذيرات إضافية للسلامة عند استخدام الجهاز الكهربائي

- تحذير تحذيرات إضافية للسلامة أثناء عمليات التلجيج أو السنفرة الرملية أو التنظيف بالفرشاة السلكية أو الصقل أو القطع بالسحج.



الغرض من الاستخدام

تم تصميم جهاز مطرقة الثقب إس دي إي بلس من بلاك أند ديكر لتلقب الأخشاب والمعادن والبلاستيك ومواد البناء والخرسانة، إلى جانب استخدامات النحت الخفيف.

إرشادات السلامة

تحذيرات للسلامة عند استخدام الأجهزة الكهربائية



تحذيراً! يجب قراءة كافة تحذيرات وإرشادات السلامة، إن قد يؤدي عدم الالتزام بالإرشادات والتعليمات المبينة أدناه إلى خطر التعرض لصدمة كهربائية و/أو إصابات خطيرة.

احتفظ بجميع تحذيرات وإرشادات السلامة للرجوع إليها مستقبلاً.

يشير مصطلح "جهاز كهربائي" حيثما ورد في الإرشادات المبينة أدناه إلى جميع الأجهزة الكهربائية التي تعمل بالكهرباء (السلكية) أو بالبطارية (اللاسلكية).

١ سلامة منطقة العمل

أ يجب أن تكون منطقة العمل نظيفة ومضاءة جيداً، إن تزيد مخاطر التعرض للحوادث في المناطق المظلمة أو غير المنظمة.

ب لا تشغيل الأجهزة الكهربائية في الأجواء القابلة للانفجار كما في محيط الغبار أو السوائل أو الغازات القابلة للاشتعال، إن ينجم عن استخدام الجهاز الكهربائي شظايا قد تتطاير ثم تشعل الغبار أو الأذخنة.

ج يجب إبعاد الأطفال والمارة عن منطقة العمل أثناء تشغيل الجهاز الكهربائي، وانتبه فقد تؤدي عوامل صرف الانتباه إلى فقدان التحكم بتلك الأجهزة.

٢ السلامة الكهربائية

أ يجب أن يتوافق قابس الجهاز الكهربائي مع المقبس. ويحظر تغيير القابس بأي حال من الأحوال أو استخدام أية قابس مهايئ مع الأجهزة الكهربائية التي لها طرف مؤرض (أرضي). ويخفض عدم تغيير القابس والمقابس المتجانسة من خطورة التعرض للصدمة الكهربائية.

ب تجنب ملامسة السطوح المؤرضة كالأنايب ورايدتراك التدفئة والمدافئ والتلجعات، إن تزداد خطوة التعرض للصدمة الكهربائية عندما يكون جسمك ملامساً للأرض.

ج لا تعرض الأجهزة الكهربائية للمطر أو الرطوبة، علماً بأن تسرب المياه إلى داخل الجهاز الكهربائي يزيد خطورة التعرض للصدمة الكهربائية.

د لا تقم بإسائة استخدام السلك، فلا تستخدمه أبداً لحمل الجهاز الكهربائي أو لجزبه أو لفصل القابس عن المقبس. واحتفظ بالسلك بعيداً عن مصادر الحرارة أو الزيت أو الأطراف الحادة أو الأجزاء المتحركة. ويزيد تشابك الأسلاك أو تلفها من خطورة التعرض للصدمة الكهربائية.

ه لا تستخدم سوى كابلات التمديد المناسبة عند الاستخدام الخارجي للجهاز، إن أن استخدام كابلات التمديد المناسبة يخفف من مخاطر التعرض للصدمة الكهربائية.

و إذا تعذر تجنب تشغيل الجهاز الكهربائي في الأجواء الرطبة، استخدم مفتاح للوقاية من التيار المتخلف، إن إن استخدام ذلك المفتاح يقلل من خطر التعرض للصدمة الكهربائية.

٣ السلامة الشخصية

أ كن يقظاً وانتبه لما تفعله، وكن حذراً عند تشغيل الجهاز الكهربائي. ولا تستخدم الجهاز الكهربائي عند شعورك بالتعب أو عندما تكون تحت تأثير المخدرات أو الكحول أو الأدوية. إن قد يؤدي عدم الانتباه للحظة واحدة عند استخدام الجهاز الكهربائي إلى التعرض لإصابة خطيرة.

ب ارتد دائماً نظارات الوقاية ومعدات الحماية الشخصية مثل قناع الوقاية من الغبار وأحذية الأمان الواقية من الانزلاق والخوذ واقية الأذنين، إن أن ارتداء المعدات المناسبة يقلل من خطر التعرض للإصابات.

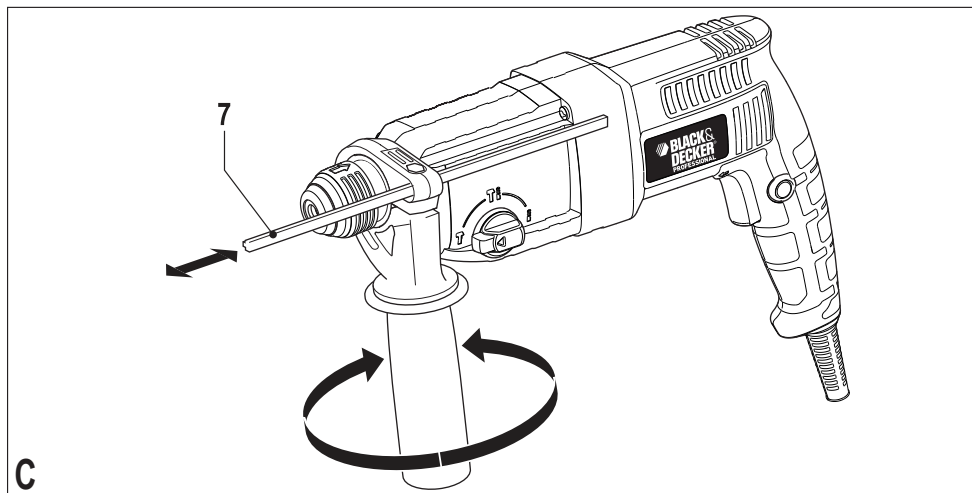
ج احذر التشغيل المفاجئ للجهاز الكهربائي وذلك بالتأكد من غلق الجهاز قبل توصيله بالتيار الكهربائي و/أو البطارية، وقبل رفعه أو حمله. يؤدي وضع إصبعك على مفتاح التشغيل أثناء حمل الجهاز الكهربائي أو توصيل الجهاز بالشبكة الكهربائية عندما يكون قيد التشغيل إلى وقوع الحوادث.

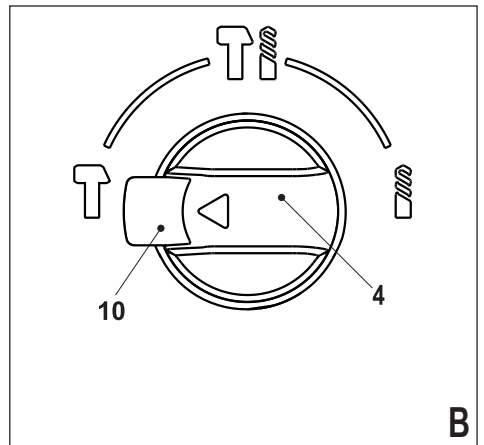
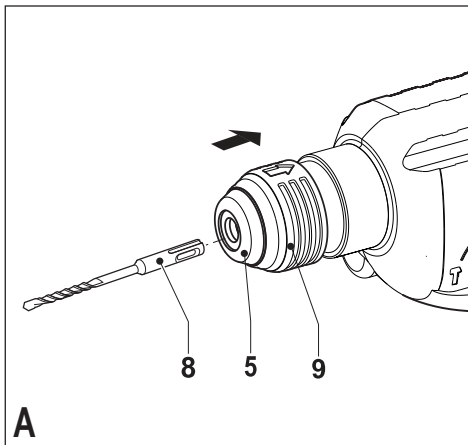
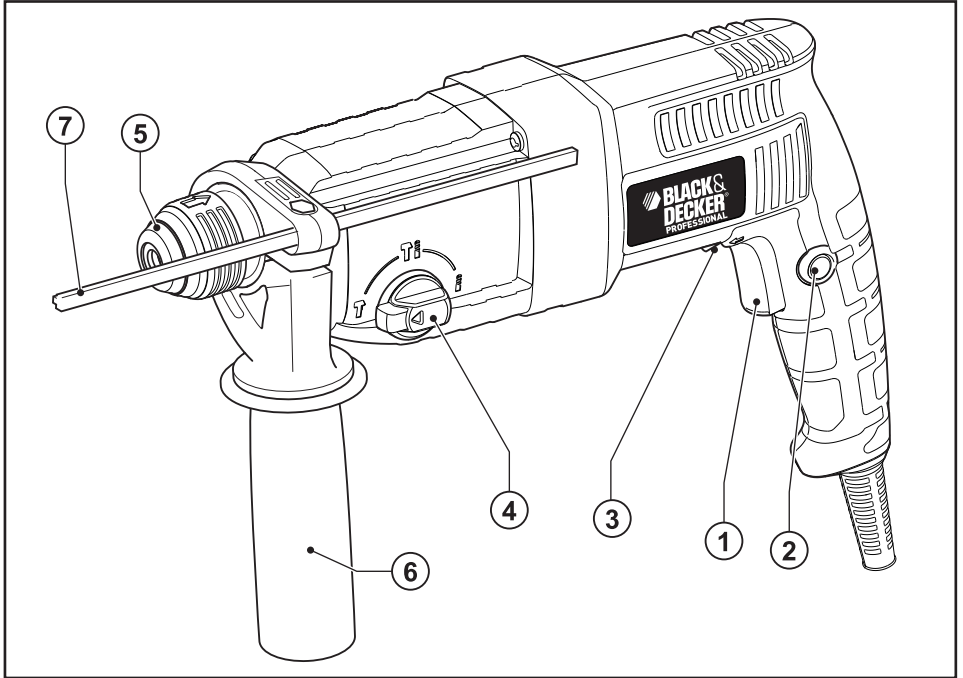
د انزع عدة الضبط أو مفتاح الربط قبل تشغيل الجهاز الكهربائي، إن قد تؤدي العدة أو المفتاح المتواجد في جزء دوار من الجهاز إلى الإصابة بجروح.

ه تجنب أوضاع الجسد غير الطبيعية. قف بأمان وحافظ على توازنك في جميع الأوقات مما يمكنك من السيطرة على الجهاز بشكل أفضل في المواقف غير المتوقعة.

و ارتد ثياباً مناسبة، ولا ترتد الثياب الفضفاضة أو الحلي. حافظ على إبعاد الشعر والثياب الفضفاضة والقفازات عن الأجزاء المتحركة، إن قد تتشابك الثياب الفضفاضة أو الحلي أو الشعر الطويل بالأجزاء المتحركة.

ز إذا تم تجهيز الجهاز بملحقات لشطف وتجميع الغبار، تأكد من أنها متصلة بالجهاز وبأنه يتم استخدامها بالشكل السليم، إن أن استخدام هذه الملحقات قد يخفف من المخاطر الناتجة عن الغبار.





Names & Addresses for Black & Decker Service Concessionaries

ALGERIA: Sari Outillage Corporation, 08 Rue Med Boudiaf - Cheraga - Algiers, Algeria. Tel: (213-21) 375130, Fax: (213-21) 369667. **ANGOLA:** Angoferraria, Lda., Rua Robert Shields, No. 61, Luanda, Angola. Tel: 00244-222-395837 / 222-395034, Fax: 00244-222-394790. **AZERBAIJAN:** Royalton Holdings Ltd. 41 Khagani St. Apt. 47 AZ 1001, Baku. Tel: (994-12) 4935544, Fax: (994-12) 5980378. **BAHRAIN:** Kavalani & Sons W.L.L., P.O. Box 71, Sitra, Manama. Tel: (973) 17732888, Fax: (973) 17737379. Alfouz Services Co. W.L.L., P.O. Box 26562, Tubli, Manama. Tel: (973) 17783562, Fax: (973) 17783479. **EGYPT:** El Farab S.A.E., 15-Nabil El Wakkad Street, Dokki, Giza, Egypt. Tel: 00202-37603946 / 002-010-2582544, Fax: 00202-33352796. **ETHIOPIA:** Seif Tewfik Sherif, Arada Sub-City, Kebele 01/02, Global Insurance Building, 2nd Floor, Room 43, P.O. Box 2525, Addis Ababa, Ethiopia. Tel: (251-11) 1563968/ 1563969, Fax: (251-11) 1558009. **IRAQ:** Financial Links, Kazzaz Building Ararat Al-Hindia Block No: 629 Street: 31/Bldg No: 1 Baghdad - Iraq. Tel: 00964 (0)780 195 2223/ 00964 (0)781 3763044. Al Sard Co. for General Trading Ltd. Jbara Bldg. 3Flr, Al Rasheed St. Bagdad. Tel: (964) 18184102. Sakhar Group, Arrasat al-hindya Al Masbah, Bagdad. (964) 7400144446. **JORDAN:** Palestine Bldg. Matl. (Bashiti Hardware), 93 King Abdullah 2nd Street. Opp. ELBA House, P.O. Box 3005, Amman 11953, Tel: (962-6) 5349098, Fax: (962-6) 5330731. **KENYA:** Dextron Tools Ltd., P.O. Box 20121-00200, Shariff House, Kimathi Street, Nairobi. Tel: (254-20) 6905000/ 2358021, Fax: (254-20) 6905111/ 6905112. **KUWAIT:** Al Omar Technical Co., P.O. Box 4062, 13041 Safat, Kuwait. Tel: (965) 24848595/ 24840039, Fax: (965) 24845652. Fawaz Al Zayani Establishment, P.O. Box 42426, Shop No. 18, Al Humaizi Commercial Complex, Khalifa Al Jassim, Shuwaikh, Kuwait. Tel: (965) 24828710, Fax: (965) 24828716. Fawaz Al Zayani Establishment, P.O. Box 42426, Shop No.18, Al Humaizi Commercial Complex, Khalifa Al Jassim, Shuwaikh, Kuwait. Tel: (965) 24828716. Fawaz Al Zayani Establishment, Fahaeel Industrial Area, Main St., Sanaya, Kuwait. Tel: (965) 23925830, Fax: (965) 24828716. **LEBANON:** Est. Shaya & Azar S.A.R.L., Boulevard Jdeideh - Mar Takla - Bouchrieh .P.O. Box 90545 Jdeideh.Beirut - Lebanon. Tel: 00961 1 872305 / 306 , Fax: 00961 1 872303. **LIBYA:** North Africa Trading (El Ghoul Brothers), AlHilal Service Center Tawergha St. Misurata. Tel: 00218-091-3221408. **(Benghazi)** Sniydal st., Amr Ibn EL-Aas Rd. Tel: (+218) 92 5771120. **(Tripoli)** Al Barniq Service Center, Mokhazin elskar st., ElFallah. Tel: (+218) 21 4808019. **(Misrata)** Al Hilal Service Center, Tawergha st. Tel: (+218) 51 2626743. **MAURITIUS:** Robert Le Marie Limited, Old Moka Road, Bell Village, P.O. Box 161, Port Louis. Tel: 00230-212 1865/ 212 2847, Fax: 00230-2080843. **MOROCCO:** Ets Louis Guillaud & Cie, 149, Quartier Industriel, Moulay Rachid, Casablanca, Postal Code 20450, Morocco. Tel: 00212-522729233, Fax: 00212-522729096. **NIGERIA:** Meridian Power Tools Ltd., Gr.Floor, #1 Alhaji Masha Rd, Next to Teslim Balogun Stadium, Near National Stadium Surulere, Lagos, Nigeria. Tel: 00234-1-7740341 / 7740410, Fax: 00234-1-7913798. **OMAN:** Al Jizzi Company LLC, P.O. Box 1704,PC 112 Ruwi, Oman. Tel: (968) 24832618/ 24835153, Fax: (968) 24831334/24836460. Al Hassan Technical & Construction Supplies Co. LLC, P.O. Box 1948, P.C. 112, Ruwi, Tel: (968) 24810575 / 24837054, Fax: (968) 24810287/ 24833080. Oman Hardware Co. LLC, P.O. Box 635, Ruwi Postal Code 112, Tel: (968) 24815131, Fax: (968) 24816491. Khimji Ramdas, P.O. Box 19, Post Code 100, Ghalia, Muscat, Oman. Tel: (968) 24595906/ 907, Fax: (968) 24852752. Oman Marketing & Service Co. (Omasco), P.O. Box 2734, Behind Honda Showroom, Wattayah, Oman. Tel: (968) 24560232/ 24560255, Fax: (968) 24560993. Oman Marketing & Service Co. (Omasco), Al Ohi, Sohar, Oman. Tel: (968) 26846379, Fax: (968) 26846379. Oman Marketing & Service Co. (Omasco), Sanaya, Salalah, Oman. Tel: (968) 23212290, Fax: (968) 23210936. **PAKISTAN:** ZIT Co - Nasir & Bros., 2nd Floor, Qadri Center, Chowk Dalgran Railway Road, Lahore, Pakistan. Tel: 0092 42 37670839, Fax: 0092 42 37652989. Ammar Service & Spares, 60-Bank Arcade, Serai Road, Karachi, Pakistan. Tel: (92-21) 32426905, Fax: (92-21) 32427214. **QATAR:** Teyseer Industrial Supplies & Services Co. W.L.L, 55, Al Wakalat St. (Between St. 18 & 19) Salwa Industrial Area, P.O. Box 40523 Doha, Qatar. Tel: (974) 44581536, Fax: (974) 44682024. Shaheen Electrical Works & Trading Co. W.L.L, Gate 34, St. 44 Industrial Area P.O. Box 9756, Doha. Tel: (974) 44600230 /44600525, Fax: (974) 44601338. Al Muftah Service Centre, Al Wakrah Road, P.O. Box 875, Doha, Qatar. Tel: (974) 44650880/ 44650110/ 44446868, Fax: (974) 44441415 / 44662599. **SAUDI ARABIA: (Al Bahr)** Mohamed Ahmed Bin Aff Est., P.O. Box 530, Yanbu, Al Bahr. Tel: (966-4) 3222626/ 3228867, Fax: (966-4) 3222210. **(Al Khobar)** Fawaz Ebrahim Al Zayani Trading Est., P.O. Box 76026, Al Khobar # 31952, Tel: (966-3) 8140914, Fax: (966-3) 8140824. MSS (Al-Mojil Supply & Services) P.O. Box 450, Jubail 31951, Opp. Gulf Bridge Library & Riyadh House. Tel: (966-3) 3612850/ 3624487/ 3621729, Fax: (966-3) 3612589/ 3627083. **(Dammam)** MSS (Al-Mojil Supply & Services), P.O. Box 450, Jubail 31951, Opp-Gulf Bridge Library & Riyadh House. Tel: (966-3) 3612850 / 3624487 / 3621729, Fax: (966-3) 3623589 / 3620783. **(Al Bawardi Tools & Hardware)**, P.O. Box 112, Dammam. Tel: (966-3) 8330780 Ext.24 / 8348585 Ext. 24 / +966-3-8335555, Fax: (966-3) 8336303. **(Al Hassa)** Mutawa Trading & Gen. Services, Maliki road Hafuf city, Al Hassa, KSA. Tel: (966) 502846275 **(Jeddah)** Al Bawardi Tools & Hardware, P.O. Box 16905, Jeddah 21474, Tel: (966-2) 6444547 / 6439035 / 6456095, Fax: (966-2) 6439024. EAC (Al Yousef Contg. & Trdg. Est.), P.O. Box 30377, Jeddah -21477, Tel: (966-2) 6519912, Fax: (966-2) 6511153. **(Madina)** Garziz Trading for Bldg Mat & Decoration, P.O. Box 3364, Madina. Tel: (966-4) 8267 14 90 / 8227636, Fax: (966-4) 8265741. **(Riyadh)** Industrial Material Organization (IMO), P.O. Box 623, Rld Street ,Riyadh, Tel: (966-1) 4028010 Ext 26 / 8001245757, Fax: (966-1) 4037970. Sultan Garment Factory (RSC), P.O. Box 29912, Riyadh 11467, KSA, Tel: (966-1) 4055148 / 4042889, Fax: (966-1) 4055148. Al Bawardi Tools & Hardware, P.O. Box 68, Riyadh 11411, Tel: (966-1) 4484999, Fax: (966-1) 4487877. **(Yanbu)** Fawaz Ebrahim Al Zayani, Opposite to Al Fouzan, Jeddah highway or King Abdul Aziz road, Yanbu. Tel: (966-4) 3960980, Fax: (966-4) 3961980. Mohamed Ahmed Bin Aff Est., P.O. Box 530, Yanbu, Al Bahr, Tel: (966-4) 3222626/ 3228867, Fax: (966-4) 3222210. **SOUTH AFRICA:** Stanley Black & Decker - RSA, 199 Winze Drive Stormill Exit 9 Rooodepoort. Tel: (2711) 472 0454, Fax: (2711) 472 0482. Trevco Power Tool Service Ltd 1 Steenbok Street, Koedoespoort, 0186, Pretoria, South Africa. Tel: (27-86) 1873826, Fax: (27-86) 5001771. **TANZANIA:** General Motors investment Ltd., P.O. Box 16541, 14 Nyerere Road, Vingunguti, Dar-es-Salaam. Tel: (255 22) 2862661/ 2865202, Fax: (255 22) 2862667. **TUNISIA:** Societe Tunisienne De Maintenance (STM), Rue de la Physique. Nouvelle Zone Industrielle Ben Arous., 2013 Ben Arous, Tunisia. Tel: (+216) 79 389687, Fax: (+216) 71 385154. **UAE: (Abu Dhabi)** Light House Electrical, P.O. Box 120, Abu Dhabi. Tel: (971-2) 6726131, Fax: (971-2) 6720667. Galaxy Equipment Trading, Madinat Zayed (Baada Zaid), Abu Dhabi P.C. 58910, Tel: (971-12) 8844279, Fax: (971-12) 8844297 **(Ajman)** Al Sukoon Gen. Trdg. Co. LLC, P.O. Box 2975, Ajman. Tel: (971-6) 7435725/ 7438317, Fax: (971-6) 7437350. Al Sukoon Gen. Trdg. Co. LLC, P.O. Box 2975, Ajman, Tel: (971-6) 7435725 / 7438317, Fax: (971-6) 7437350 **(Al Ain)** Zillion Equipment and Spare Parts Trading LLC, P.O. Box 19740, Opp. Bin Sadal/ Trimix Redymix Sanaiya, Al Ain. Tel: (971-3) 7216690, Fax: (971-3) 7216103. **(Dubai)** Black & Decker (Overseas) GmbH, P.O. Box 5420, Dubai. Tel: (971-4) 8127400/ 8127406, Fax: (971-4)8222765. Ideal Star Workshop Ept.Trading LLC, P.O. Box 37116, Al Quoz, Dubai. Tel: (971-4) 3474160, Fax: (971-4) 3474157, Fine Tools, P.O.Box 30139 , Al Quoz, Dubai, Tel: (971-4) 3385240, Fax: (971-4) 3385239, Albreah Engineering Service, P.O. Box 78954, Al Qusais , Dubai. Tel: (971-4) 2850044, Fax: (971-4) 2848402. **(Musafah)** Light House Electrical, P.O. Box 120, Abu Dhabi. Tel: (971-2) 5548315, Fax: (971-2) 5540461. **(Sharjah)** Mc Coy Middle East LLC, P.O. Box 25793, Sharjah. Tel: (971-6) 5395931, Fax: (971-6) 5395932. Burj Al Madeena, Industrial Area No.1, Opp. Pakistani Masjid, P.O. Box 37635, Sharjah. Tel: (971-6) 5337747, Fax: (971-6) 5337719. Burj Al Madeena , Industrial Area No 1 opp Pakistani Masjid P.O. Box 37635, Sharjah, Tel: (971-6) 5337747, Fax: (971-6) 5337719 **(Ras Al Khaimah)** Mc Coy Middle East LLC, P.O. Box 10584, Ras Al Khaimah. Tel: (971-7) 2277095, Fax: (971-7) 2277096. **UGANDA:** The Building Center (U) Ltd., 52 Station Road, Kitgum House, P.O. Box 7436, Kampala, Uganda. Tel: (256-41) 4234567/ 4259754, Fax: (256-41) 4236413. **YEMEN: (Aden)** Middle East Trad. Co. Ltd. (METCO), Mualla Dakka, Aden, Yemen. Tel: (967-2) 222670, Fax: (967-2) 222670. **(Sana'a)** Middle East Trad. Co. Ltd. (METCO), Hayel St., Sana'a, Yemen. Tel: (967-1) 204201, Fax: (967-1) 204204. **(Taiz)** Middle East Trading Co. (METCO), P.O. Box 12363, 5th Flr, Hayel Saeed Anam Bldg, Al-Mugamma St. Taiz, Yemen. Tel: (967-4) 213455, Fax: (967-4) 219869.



WARRANTY REGISTRATION CARD

YOUR NAME/ الإسم -----

YOUR ADDRESS العنوان -----

POSTCODE الرمز البريدي -----

DATE OF PURCHASE تاريخ الشراء -----

DEALER'S NAME & ADDRESS/ إسم وعنوان البائع -----

A large, empty rounded rectangle with a thin black border, intended for the user to provide product details or a photograph of the product.

PRODUCT MODEL NO. BPHR223K

