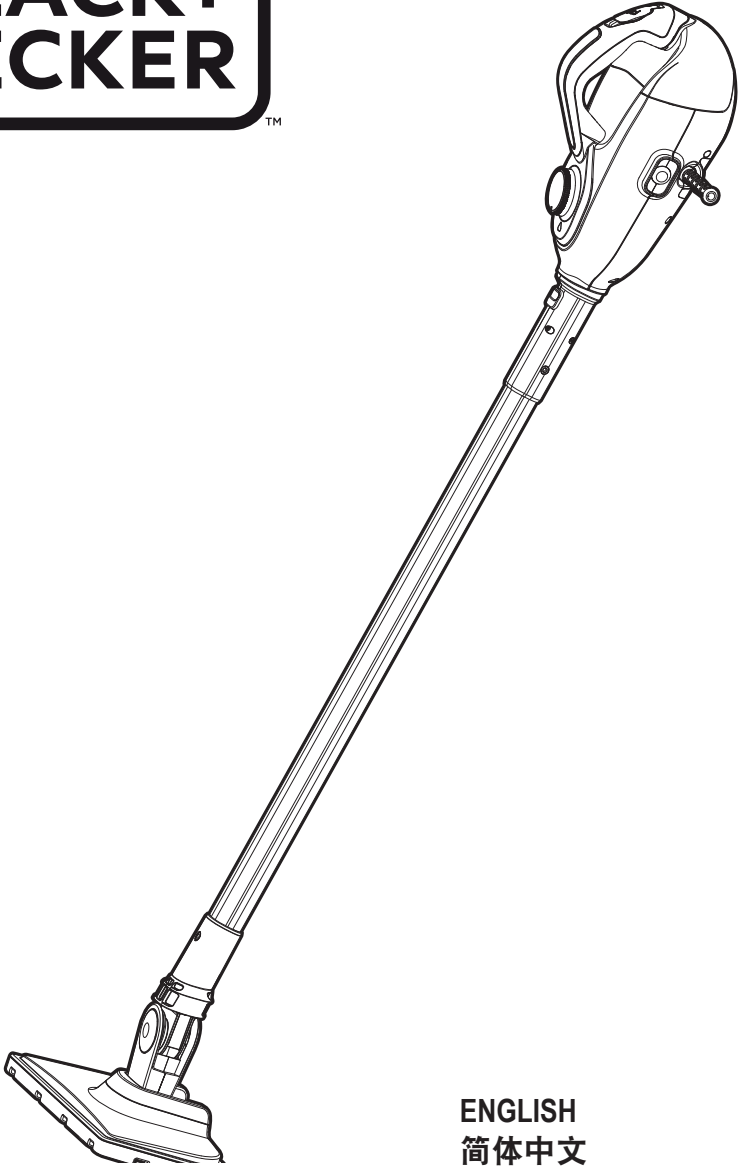


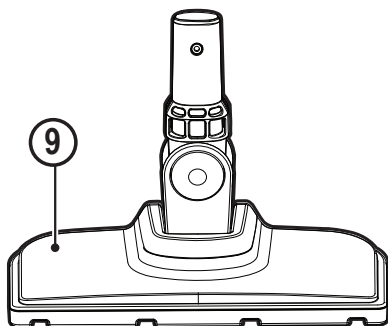
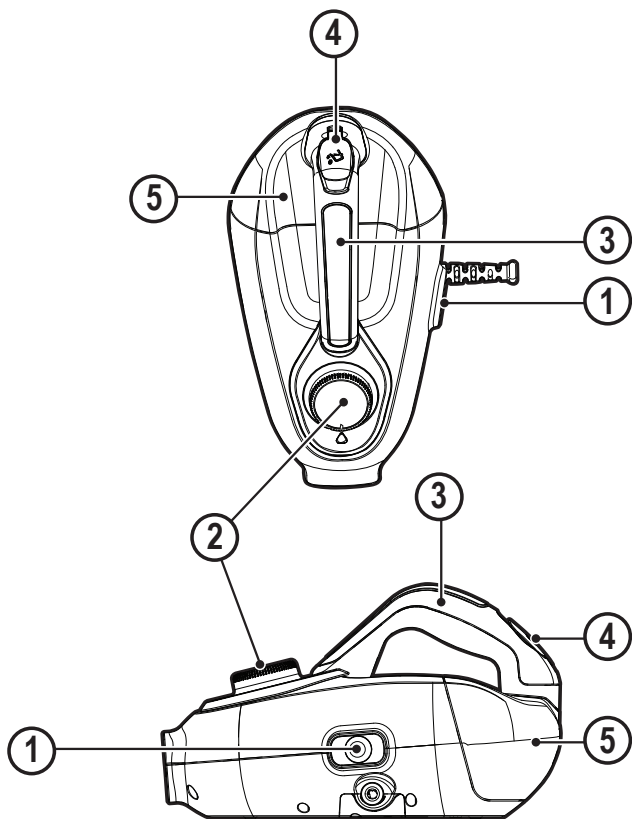
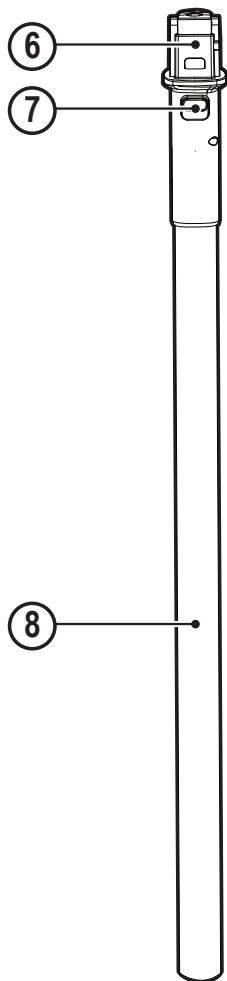


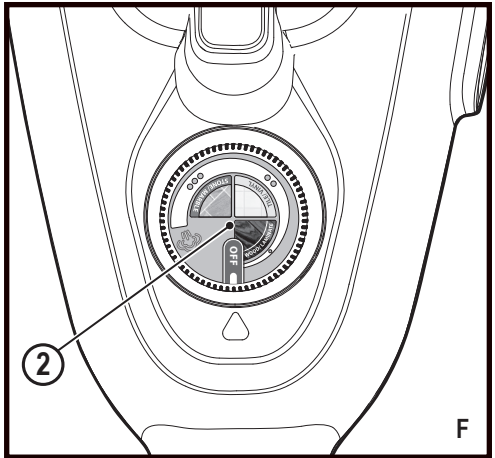
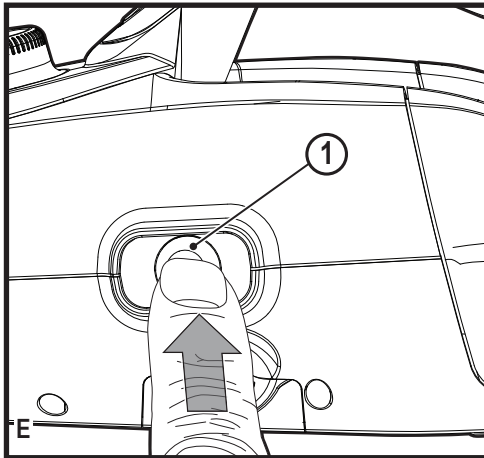
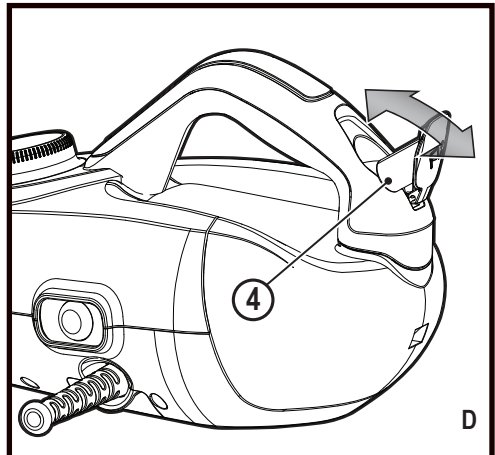
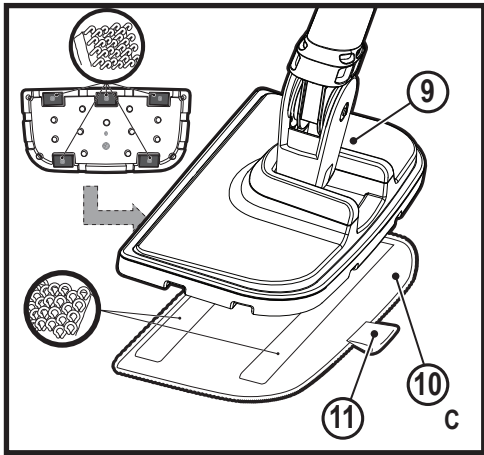
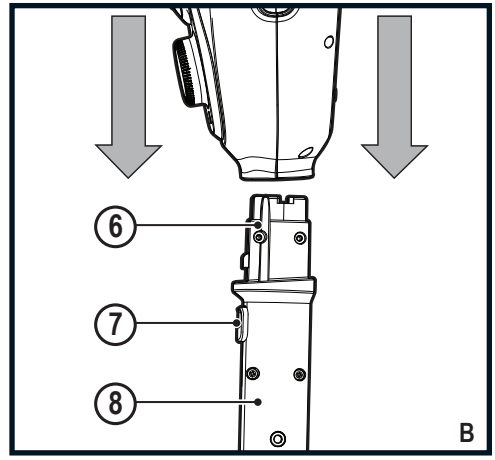
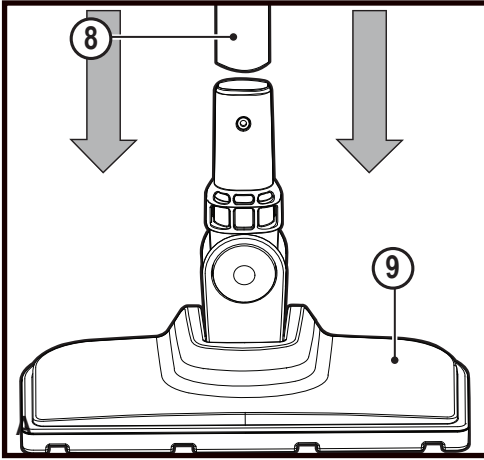
www.blackanddecker.com

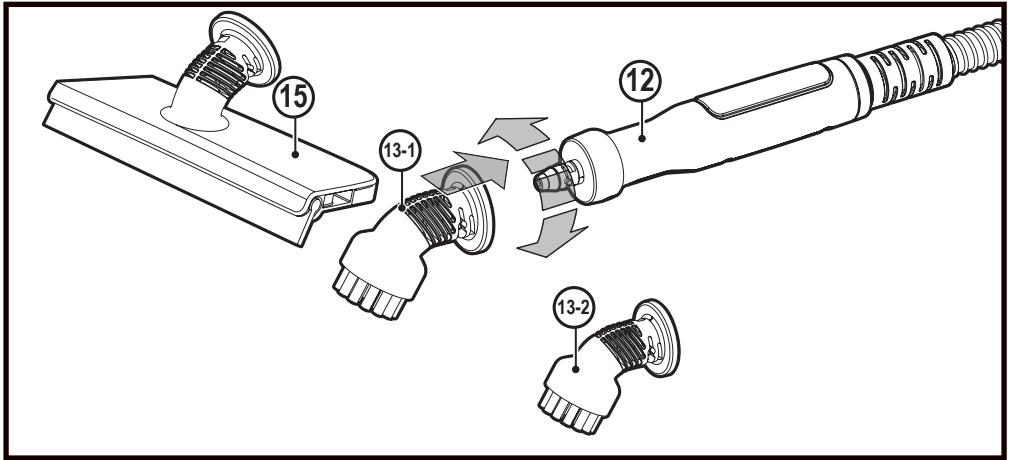
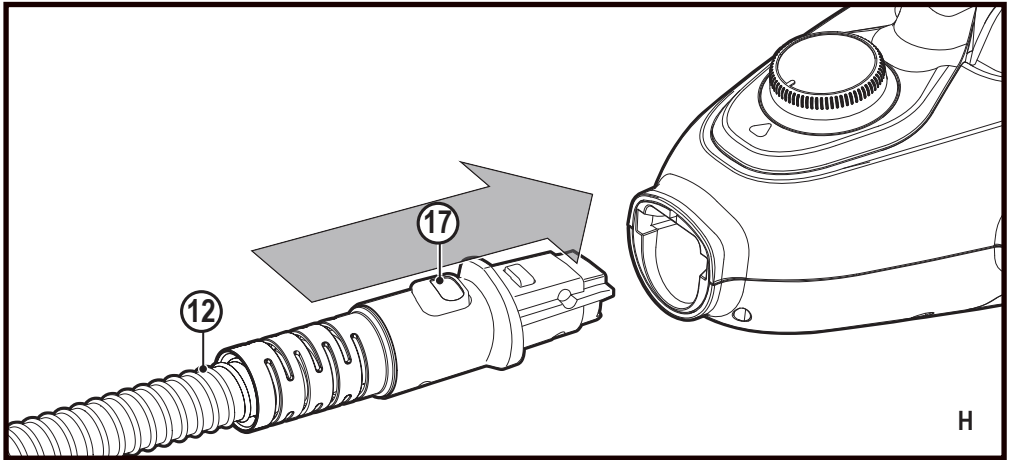
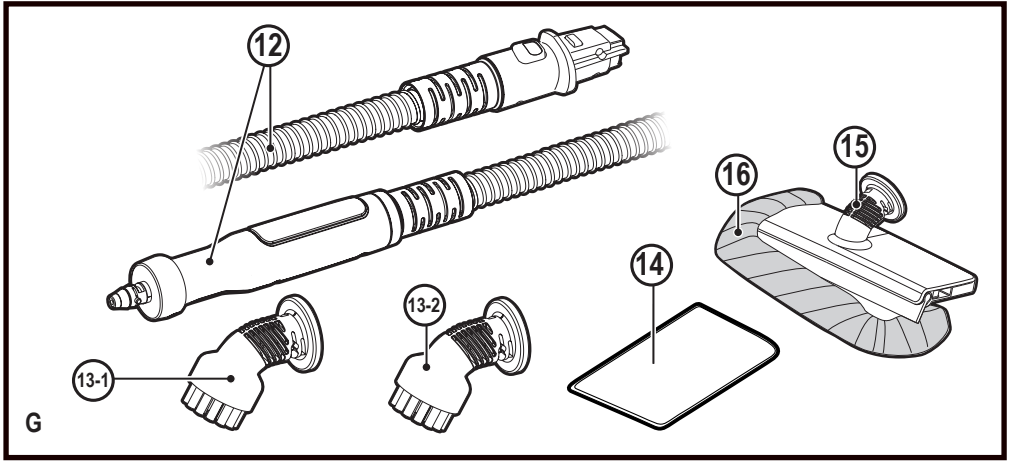


FSMH1300FX

ENGLISH	5
简体中文	9
繁體中文	15
한국어	19
BAHASA INDONESIA	23
ภาษาไทย	27
TIẾNG VIỆT	31







FSMH1300FX STEAM MOP

Technical Data

		FSMH1300FX
Voltage	V _{ac}	220-240
Power	W	1300
Tank Capacity	ml	500
Weight	kg	2.4

Intended use

Your BLACK+DECKER™ FSMH1300FX steam mop has been designed for sanitising and cleaning sealed hardwood, sealed laminate, linoleum, vinyl, ceramic tile, stone and marble floors. This appliance is intended for indoor household use only.

Safety instructions



Warning! Read all of the 'Safety, Maintenance, Service' manual carefully before operating this appliance. Read all of this manual carefully before operating this appliance.

Labels on appliance

The following pictograms along with the date code are shown on the appliance.



CAUTION Hot Steam



Do not leave unsupervised with young children



Hand wash only

Features

This appliance includes some or all of the following features.

1. On/off switch
2. Autoselect™ dial
3. Hand held steam unit handle
4. Filler cap
5. Water tank

6. Interface
7. Floor extension release button
8. Floor extension
9. Floor cleaning head
10. Cleaning pad
11. Cleaning pad removal tab
12. Accessory attachment hose
- 13-1. Blue angle brush accessory (for use on hard to remove stains)
- 13-2. Yellow angle brush accessory (for use on hard to remove stains)
14. Resting pad
15. Squeegee accessory (for use on shower screens / glass / mirrors / clothing / upholstery)
16. Squeegee sock

Assembly



Warning! Before attempting any of the following instructions, make sure that the appliance is switched off and unplugged and the appliance is cold and does not contain any water.

Attaching the floor extension to the floor cleaning head (Fig. A)

- ◆ Push the floor extension (8) firmly into the floor cleaning head (9) making sure it clicks securely into place.

Attaching the hand held steam unit to the floor extension (Fig. B)

- ◆ Push the hand held steam unit firmly onto the floor extension (8) making sure it sits correctly over the interface (6) and clicks securely into place.

Warning! Inspect the seal between the connection point on the hand held steam cleaner and the floor extension (8) before each use. If the seal malfunctions or is damaged, please contact your nearest authorised repair agent. Do not use the appliance.

Removing the hand held steam unit

- ◆ Push the release button (7) on the floor extension (8) and lift the hand held steam unit off the interface (6).

Attaching a cleaning pad (Fig. C)

Replacement cleaning pads are available from your BLACK+DECKER dealer :- (cat no. FSMP20-XJ).

- ◆ Place a cleaning pad (10) on the floor with the velcro 'loop' side facing up.
- ◆ Lightly press the steam mop down onto the cleaning pad (10).

Caution! Never leave the steam mop in one spot on any

surface for any period of time. Always place the steam mop supported in the upright position when stationary and make sure the steam mop is turned off when not in use.

Removing a cleaning pad

Caution! Always wear suitable shoes when changing the cleaning pad on your steam mop.

Do not wear slippers or open toed footwear.

- ◆ Return the steam mop to the upright position and turn the steam mop 'OFF'.
- ◆ Wait until the steam mop cools down (approximately 5 minutes).
- ◆ Lift the steam mop away from the cleaning pad freeing it from the velcro fastening by putting weight on the cleaning pad removal tab (11).

Caution! Never leave the steam mop in one spot on any surface for any period of time.

Always place the steam mop supported in the upright position when stationary and make sure the steam mop is turned off when not in use.

Filling the water tank (Fig. D)

Note! Fill the water tank with clean tap water (Do not use any additives or chemicals).

Note! In areas of hard water, the use of de-ionised water is recommended.

- ◆ Open the filler cap (4) by flipping it up.
- ◆ Fill the water tank with water (Do not use any additives or chemicals).

Warning! When filling, maintain in a horizontal position.

Warning! Your water tank has a 0.5 litre capacity. Do not over fill the tank.

- ◆ Close the filler cap(4).

Note! Ensure the filler cap is firmly secured.

Use

Important! This unit will kill 99.9% of bacteria and germs when used in accordance with the instructions in this manual and with the micro fibre pads fitted and a continuous run time of 90 seconds.

Switching on and off (Fig. F)

- ◆ To switch the appliance on, press the ON/Off switch (1). It takes approximately 15 seconds for the steam mop to heat up.
- ◆ To switch the appliance off, press the ON/Off switch (1).

Caution! Never leave the steam mop in one spot on any surface for any period of time.

Always place the steam mop supported in the upright position when stationary and make sure the steam mop is turned off when not in use.




Caution! Always empty the steam mop after use.

Note! When first filled or after running dry, it can take up to 45 seconds for steam to be produced.

Autoselect™ Technology (Fig. E)

This steam mop is fitted with an Autoselect™ dial (2) which shows various cleaning applications. They are used to select the correct operating mode for your particular cleaning operation.

Using Autoselect™, choose from one of the following applications by turning the Autoselect™ dial (2) until the required setting is selected.

Setting	Mop	Hand Held
	Wood/ Laminate	High temperature steam for windows ●
	Stone/Marble	● ●
	Tiles/Vinyl	Low temperature steam for heavy grime ● ● ●

The steam mop will select the correct volume of steam required for your particular cleaning operation.

Note: Always check you are using the correct setting before using your steam mop.

Attaching the hose and accessories to the hand held steam cleaner

Warning! Inspect the seal between the connection point on the hand held steam cleaner and the steam hose (12) before each use. If the seal malfunctions or is damaged, please contact your nearest authorised repair agent. Do not use the appliance.

Attaching the hose (Fig. H)

- ◆ Press the steam hose release button (17) on the steam hose (12).
- ◆ Connect the steam hose (12) to the hand held steam cleaner and release the steam hose release button (17) making sure it clicks into place.

Important! Ensure that the steam hose (12) is securely connected to the hand held steam cleaner. If steam escapes from the joint, the hose is incorrectly fitted. Switch off, allow the unit to cool then remove and refit the hose.

Attaching accessories (Fig I)

- ◆ Align the lugs on the steam nozzle (12) with the recesses on the accessory.
- ◆ Press the accessory onto the steam nozzle and twist anticlockwise until the accessory clicks into place.

Important! All accessories must be attached to the steam hose (12) for use.

Removing the hose and accessories

Warning! The steam hose (12), Steam nozzle and accessories become hot during use. Allow the unit and all accessories to cool before attempting to remove.

Removing an accessory

- ◆ Twist the accessory clockwise then pull away from the hose (12).

Removing the hose

- ◆ Press the steam hose release button (17) on the steam hose (12) and pull away from the hand held steam unit.

Hints for optimum use

General

Caution: Never use the steam mop without first attaching a cleaning pad.

- ◆ Always vacuum or sweep the floor before using the steam mop.
- ◆ The easiest way to use the appliance is to tilt the unit to a 45° angle and clean slowly, covering a small area at a time.
- ◆ Use water only with no additives or chemicals with your steam mop. To remove stubborn stains from vinyl or linoleum floors, you can pre-treat with a mild detergent and some water before using the steam mop.

Steam Cleaning with the mop

- ◆ Fit hand steam cleaner to the floor extension (8).
- ◆ Place a cleaning pad (10) on the floor with the velcro 'loop' side facing up.
- ◆ Lightly press the steam mop down onto the cleaning pad (10).
- ◆ Connect the steam mop to the mains.
- ◆ Press the ON/OFF button (1). It takes approximately 15 seconds for the steam mop to heat up.
- ◆ Turn the Autoselect™ dial (2) until the required setting is reached. After a few seconds steam will start to come out of the steam head.

Note! When first filled or after running dry, it can take up to 45 seconds for steam to be produced.

- ◆ It takes a few seconds for steam to enter the cleaning pad. The steam mop will now glide easily over the surface to be sanitized/cleaned.
- ◆ Push and pull the steam mop slowly across the surface to thoroughly steam clean each section.
- ◆ When you have finished using the steam mop, return the handle (8) to the upright position, making sure that it is supported and turn it 'OFF'. Wait until the steam mop cools down (approximately five minutes).

Caution! It is important to monitor the water level in the water

tank. To refill the water tank and continue to sanitize/clean stand the mop upright making sure that it is supported and turn the steam mop 'OFF'. Unplug the unit from the electrical wall outlet, and refill the water tank.

Caution! Never leave the steam mop in one spot on any surface for any period of time. Always place the steam mop supported in the upright position when stationary and make sure the steam mop is turned off when not in use.

After use

- ◆ Turn the Autoselect™ dial (2) to the OFF position.
- ◆ Wait until the steam mop cools down.
- ◆ Unplug the steam mop from the electrical wall outlet.
- ◆ Empty the water tank.
- ◆ Remove the cleaning pad (10) and wash it ready for next use (take care to follow the wash care instructions printed on the cleaning pad).

Accessories

The performance of your appliance depends on the accessory used. BLACK+DECKER accessories are engineered to high quality standards and designed to enhance the performance of your appliance. By using these accessories you will get the very best from your equipment.

Hand held steam cleaning

Warning! Only use in a horizontal position.

- ◆ Attach the required accessory.
- ◆ Connect the hand held steam cleaner to the mains.
- ◆ Press the ON/OFF button (1). It takes approximately 15 seconds for the steam mop to heat up.
- ◆ Turn the Autoselect™ dial (2) until the required setting is reached. After a few seconds steam will start to come out of the steam head.

Note! When first filled or after running dry, it can take up to 45 seconds for steam to be produced.

- ◆ When you have finished using the hand held steam cleaner turn the Autoselect™ dial (2) to the OFF position. Turn the unit OFF by pressing the ON/OFF button (1) and disconnect from the mains supply. Wait until the unit cools down before storing (approximately five minutes).

Troubleshooting

If your appliance seems not to operate properly, follow the instructions below. If this does not solve the problem, please contact your local BLACK+DECKER repair agent.

Problem	Step	Possible solution
---------	------	-------------------

The steam mop is not turning on	1.	Check the unit is plugged in at the wallsocket.
	2.	Check the unit is switched on using the ON/OFF switch (1)
	3.	Check the fuse in the plug.
Problem	Step	Possible solution
The steam mop is not producing steam	4.	The steam mop will only produce steam if the hand held steam cleaner (5) is correctly docked into the main body (11) or the steam hose is fitted or the Autoselect™ is turned on ON
	5.	Check that the water tank is full. Note: When first filled or after running dry it can take up to 45 seconds for steam to be produced.
	6.	Check steps 1, then 2, then 3
The steam mop stops producing steam during use	7.	Check steps 4, then 5, then 3
The steam mop is producing too much steam during use	8.	Turn the Autoselect™ dial (2) anti-clockwise to reduce the amount of steam being produced
The steam mop is producing too little steam during use	9.	Turn the Autoselect™ dial (2) clockwise to increase the amount of steam being produced
Where can I get further information/ accessories	10.	www.blackanddecker.co.uk/steammop www.blackanddecker.ie/steammop

Service Information

Black & Decker offers a full network of company-owned and authorized service locations throughout Asia. All Black & Decker Service Centers are staffed with trained personnel to provide customers with efficient and reliable product service.

Whether you need technical advice, repair, or genuine factory replacement parts, contact the Black & Decker location nearest to you.

NOTE

- ◆ Black & Decker's policy is one of continuous improvement to our products and, as such, we reserve the right to change product specifications without prior notice.
- ◆ Standard equipment and accessories may vary by country.
- ◆ Product specifications may differ by country.
- ◆ Complete product range may not be available in all countries. Contact your local Black & Decker dealers for range availability.

FSMH1300FX 蒸汽拖把

技术参数

FSMH1300FX		
电压	伏特 (交流)	220-240
功率	瓦	1300
水箱容量	毫升	500
重量	千克	2.4

设计用途

BLACK+DECKER™ FSMH1300FX 蒸汽拖把设计用于清洁与清洗密封实木地板、密封复合地板、油地毯地板、乙烯基地板、瓷砖地板、石地板及大理石地板。本设备仅适用于室内家庭用途。

安全说明



警告！在操作本产品之前，请仔细阅读“安全、维护、保养”手册的所有内容。
使用设备前，请仔细阅读本手册。

使用设备时

- ◆ 请勿将蒸汽对准人、动物、电器或电气插座。
- ◆ 请勿将设备暴露在雨中。
- ◆ 请勿将设备浸入水中。
- ◆ 请勿将设备闲置在一旁。
- ◆ 本设备未使用时，请勿将其连接到插座上。
- ◆ 禁止猛力拉扯电源线以使设备断开与插座的连接。请确保设备远离热源、油脂及尖锐的边缘。
- ◆ 请勿湿手接触蒸汽拖把。
- ◆ 请勿使用电源线拉动或搬运设备，不得把电源线当做搬运手柄、把电源线夹在门缝中、在尖角周围拉动电源线或将电源线暴露在受热表面。
- ◆ 请勿在充满油基油漆稀料挥发物、防蛀药品、易燃粉尘、易爆或有毒气体的封闭空间内使用本设备。
- ◆ 请与制造商核实地板的类型。
- ◆ 请勿在皮革、蜡抛光家具或地板、合成纤维、丝

绒或其他脆弱的、对蒸汽敏感的材料上使用本设备。



警告！请勿将本工具用于未密封木地板或未密封复合地板。对于打蜡地板或某些无蜡地板，热和蒸汽作用可能使其表面光泽消失。在开始清洁前，建议在待清洁表面上隔离一块区域做实验。此外，还建议您参考地板制造商的使用与保养须知。

- ◆ 禁止将除锈、芳烃、乙醇或清洁剂等物品放入蒸汽拖把中。这会损坏设备或使设备变得不安全。
- ◆ 使用蒸汽功能时，如果家里的电路断路器启动，请立即停止使用本产品并与客户支持中心联系。（请当心触电危险。）
- ◆ 本设备会发出非常热的蒸汽，用于清洁目的。这意味着在使用过程中，蒸汽头、清洁垫和地毯附件会变得很烫。
- ◆ 小心！使用本蒸汽拖把或更换其配件时，请务必穿上合适的鞋子。请勿穿拖鞋或露趾鞋。
- ◆ 使用过程中，设备盖子会变得很烫。
- ◆ 使用过程中，蒸汽可能会从设备内逸出。
- ◆ 使用本设备时，请务必小心；使用过程中，请勿接触任何可能变热的部件。
- ◆ 将水箱取下之前，关闭设备开关并恢复手柄到垂直位置。
- ◆ 仅可用于地板，请勿倒置使用。本设备仅适用于室内家庭用途。

使用后

- ◆ 拔下设备插头，待冷却后，再清洁设备。
- ◆ 不使用设备时，应存放于干燥场所。
- ◆ 应将设备存放在儿童接触不到的地方。

检查与维修

- ◆ 拔下设备插头，待设备冷却后，再进行维护与维修。
- ◆ 使用前，请检查设备是否受损或存在缺陷部件。检查部件是否破裂、开关是否损坏，以及是否存在影响设备操作的其它情况。

- ◆ 定期检查电源线是否损坏。
- ◆ 如果部件损坏或存在缺陷，请勿使用设备。
- ◆ 损坏或缺陷部件必须交由授权维修代理处维修与更换。
- ◆ 禁止试图拆卸或更换本手册规定之外的任何部件

他人安全

- ◆ 在有他人监督的情况下，或在接受过安全使用该产品的指导并已了解了可能存在的危险的情况下，8岁或以上的儿童，以及身体、感官或精神较差的人员，或者对该类产品缺少使用经验和认识的人员，也可以使用本设备。确保儿童没有耍玩本设备。在没有他人监督的情况下，禁止儿童使用本设备或对其进行维护保养。
- ◆ 必须监督儿童，确保他们没有玩耍本设备。

其他风险

使用设备时，可能出现本安全警示之外的其他风险。这些风险可能来自使用不当，使用时间过长等。尽管遵守了相关的安全法规并采用了安全装备，某些风险仍然是无法避免的。这些风险包括：

- ◆ 接触运动部件导致的人身伤害。
- ◆ 接触发热部件导致的人身伤害。
- ◆ 更换部件或配件时导致的人身伤害。
- ◆ 长时间使用本设备导致的人身伤害。长期使用任何设备时，均应定期休息。

电气安全



警告！本产品必须接地。请务必检查电源是否与铭牌上的电压一致。

电源插头必须与同规格的插座相配。禁止以任何方式改装插头。未经改装的插头与同规格的插座将降低触电风险。

- ◆ 如果电源线损坏，必须让制造商或 Black & Decker 授权服务中心更换以避免发生危险。

延长线与 1 类产品

- ◆ 本设备为接地设备，并具备 1 类构造，因此必须使用 3 芯延长线。
- ◆ 无功率损失条件下，最长可使用 30 米（100 英尺）延长线。

设备上的标签

设备上显示下列图形和日期码。



警示：热蒸汽



不要让儿童在无人看管下接触



只能手洗

部件名称

本设备包含如下部分或全部部件。

1. 开关
2. Autoselect™ 旋钮
3. 手持式蒸汽设备手柄
4. 注水口盖子
5. 水箱
6. 接口
7. 地板伸缩件释放按钮
8. 地板伸缩件
9. 地板清洁头
10. 清洁垫
11. 清洁垫拆卸凸耳
12. 附件配件软管
- 13-1. 蓝色斜角刷附件（用于难以清除的污渍）
- 13-2. 黄色斜角刷附件（用于难以清除的污渍）
15. 刮胶附件（用于淋浴屏/玻璃/镜子/服装/内饰）
16. 橡胶清洁剂套

组装



警告！进行如下任何操作之前，请确保关

闭设备开关、拔下设备插头、设备处于冷却状态并且不含有水。

将地板伸缩件连接到地板清洁头 (图 A)

- ◆ 将地板伸缩件 (8) 平稳推入地板清洁头 (9)，确保其牢固地卡入到位。

将手持式蒸汽设备连接到地板伸缩件 (图 B)

- ◆ 将手持式蒸汽设备平稳推入地板伸缩杆 (8) 上，确保其对准接口 (6)，并牢固地卡入到位。

警告！ 每次使用前，检查手持式蒸汽清洁器上的连接点和地板伸缩件 (8) 之间的密封件。如果密封件出现故障或损坏，请与最近的授权维修代理联系。请勿使用本设备。

拆卸手持式蒸汽设备

- ◆ 按下地板伸缩件 (8) 上的释放按钮 (7)，并将手持式蒸汽设备从接口 (6) 上提起。

安装清洁垫 (图 C)

BLACK+DECKER 代理商均提供备用清洁垫 (货号: FSMP20-XJ)。

- ◆ 将清洁垫 (10) 置于地板上，魔术扣贴“环形”面朝上。
- ◆ 将蒸汽拖把往清洁垫 (10) 上轻压。

小心！ 禁止让蒸汽拖把长时间停留在任一工作表面上。蒸汽拖把处于静止状态时，切记使手柄保持竖直位置；未使用蒸汽拖把时，请确保将其开关关闭。

拆卸清洁垫

小心！ 给蒸汽拖把更换清洁垫时，请务必穿上合适的鞋子。

请勿穿拖鞋或露趾鞋。

- ◆ 将蒸汽拖把恢复到竖直位置，关闭蒸汽拖把电源开关。
- ◆ 等待蒸汽拖把冷却 (约 5 分钟)。
- ◆ 将重物放在清洁垫拆卸凸耳 (11) 上，分开魔术

贴，向上提起蒸汽拖把，从清洁垫上取下。

小心！ 禁止让蒸汽拖把长时间停留在任一工作表面上。蒸汽拖把处于静止状态时，切记使手柄保持竖直位置；未使用蒸汽拖把时，请确保将其开关关闭。

给水箱加水 (图 D)

注意！ 给水箱注入干净的自来水 (不要使用任何添加剂或化学品)。

注意！ 如果您所在地区的自来水水质较硬，建议您使用去离子水。

- ◆ 向上翻开注水口盖子 (4)。
- ◆ 给水箱加水 (不要使用任何添加剂或化学品)。

警告！ 填充时，保持在水平位置。

警告！ 本水箱的容量为 0.5 升。请勿超过水箱的最高水位线。

- ◆ 关闭注水口盖子 (4)。

注意！ 确保注水口盖子已经稳固安装。

使用

重要！ 若按照本手册中的说明操作、使用装配的 microfibre 纤维垫，并连续运行 90 秒，本设备将消灭 99.9% 的细菌。

打开和关闭 (图 F)

- ◆ 要启动设备，请按下列开关 (1)。蒸汽拖把需要大约 15 秒钟进行加热。
- ◆ 要关闭设备，请按下列开关 (1)。

小心！ 禁止让蒸汽拖把长时间停留在任一工作表面上。蒸汽拖把处于静止状态时，切记使手柄保持竖直位置；未使用蒸汽拖把时，请确保将其开关关闭。

小心！ 使用后，请务必清空蒸汽拖把。




注意！ 首次注水或运行干燥后，可能需要最长 45 秒时间来产生蒸汽。

Autoselect™ 技术 (图 E)

本蒸汽拖把装有 Autoselect™ 旋钮 (2)，该旋钮提供各种清洁用途指示。您可以根据清洁用途，设定正确的操作模式。

使用 Autoselect™，通过旋转 Autoselect™ 旋钮 (2) 直到

选择所需的设置，在下表用途中选择其一：

设置	拖把	手持式
	木材/层压板	高温蒸汽用于窗户 ●
	石地板/大理石地板	● ●
	瓷砖地板/乙烯基地板	低温蒸汽用于重度污垢 ● ● ●

本蒸汽拖把会根据您的特殊清洁用途，选择合适的蒸汽流量。

注：使用蒸汽拖把之前，请务必确保您正在使用正确的设置。

将软管和附件连接到手持式蒸汽清洁器

警告！每次使用前，检查手持式蒸汽清洁器上的连接点和蒸汽软管 (12) 之间的密封件。如果密封件出现故障或损坏，请与最近的授权维修代理联系。请勿使用本设备。

安装软管 (图 H)

- ◆ 按下蒸汽软管 (12) 上的蒸汽软管释放按钮 (17)。
- ◆ 将蒸汽软管 (12) 连接到手持式蒸汽清洁器，并松开蒸汽软管释放按钮 (17)，确保其卡入到位。

重要！确保蒸汽软管 (12) 稳固连接到手持式蒸汽清洁器。如果蒸汽从接头中逸出，则软管安装不正确。关闭开关，让本设备冷却，然后拆下并重新安装软管。

安装附件 (图 I)

- ◆ 将蒸汽喷嘴 (12) 上的凸耳与附件的凹槽对齐。
- ◆ 将附件按压到蒸汽喷嘴上，逆时针旋转，直到附件卡入到位。

重要！所有附件必须连接到蒸汽软管 (12) 上使用。

拆卸软管和附件

警告！蒸汽软管 (12)、蒸汽喷嘴和附件在使用期间会发热。应等设备和所有附件冷却后再尝试拆卸。

拆卸附件

- ◆ 顺时针旋转附件，然后拉离软管 (12)。

拆卸软管

- ◆ 按下蒸汽软管 (12) 上的蒸汽软管释放按钮 (17)，然后从手持式蒸汽设备上拉开。

最佳使用提示

一般原则

警告：禁止在未安装清洁垫的情况下使用蒸汽拖把。

- ◆ 使用蒸汽拖把前，请务必使用吸尘器或扫把将地板上的灰尘清除干净。
- ◆ 本产品最简单的使用方法就是将设备倾斜至 45° 角，慢慢清洁，每次只清洁一小片地方。
- ◆ 只使用水，不要将蒸汽拖把与添加剂或化学品一起使用。要清除乙烯基地板或油地毯地板上的顽固污渍，可在使用蒸汽拖把前，用温和洗涤剂 and 适量的水进行处理。

用拖把进行蒸汽清洁

- ◆ 将手持式蒸汽清洁器安装到地板延伸件 (8)。
- ◆ 将清洁垫 (10) 置于地板上，魔术扣贴“环形”面朝上。
- ◆ 将蒸汽拖把往清洁垫 (10) 上轻压。
- ◆ 将蒸汽拖把连接到主电源。
- ◆ 按下开关 (1)。蒸汽拖把需要大约 15 秒钟进行加热。
- ◆ 旋转 Autoselect™ 旋钮 (2)，直至选定所需设置。数秒后，蒸汽将从蒸汽头中涌出。

注意！首次注水或运行干燥后，可能需要最长 45 秒时间来产生蒸汽。

- ◆ 蒸汽需要数秒钟时间进入清洁垫。完成以上步骤后，蒸汽拖把将能轻松在待清洁/清洗的表面上滑动。
- ◆ 在表面上慢慢推拉蒸汽拖把，用蒸汽彻底清洁地板的各个角落。
- ◆ 用完蒸汽拖把后，将手柄 (8) 返回到直立位置，

确保稳固支撑并将其关闭。等待蒸汽拖把冷却（约 5 分钟）。

小心！使用时，监控水箱水位非常重要。要重新装满水箱并继续清洁/清洗，请将拖把直立放置，确保其稳固支撑，并关闭蒸汽拖把。从墙面插座上拔下工具插头，然后重新注满水箱。

小心！禁止让蒸汽拖把长时间停留在任一工作表面上。蒸汽拖把处于静止状态时，切记使手柄保持竖直位置；未使用蒸汽拖把时，请确保将其开关关闭。

使用后

- ◆ 将 Autoselect™ 旋钮 (2) 旋到关闭位置。
- ◆ 等待蒸汽拖把冷却。
- ◆ 从墙面插座上拔下蒸汽拖把插头。
- ◆ 清空水箱。
- ◆ 拆卸清洁垫 (10) 并清洗以备下次使用（注意遵循清洁垫上印制的清洁保养说明）。

附件

设备的性能取决于所使用的附件。BLACK+DECKER 附件依据高质量标准进行规划，并设计用于增强设备的性能。使用这些配件会令您的设备如虎添翼。

手持式蒸汽清洁

警告！只能在水平位置使用。

- ◆ 附加所需的附件。
- ◆ 将手持式蒸汽清洁剂连接到电源。
- ◆ 按下开关 (1)。蒸汽拖把需要大约 15 秒钟进行加热。
- ◆ 旋转 Autoselect™ 旋钮 (2)，直至选定所需设置。数秒后，蒸汽将从蒸汽头中涌出。

注意！首次注水或运行干燥后，可能需要最长 45 秒时间来产生蒸汽。

- ◆ 使用手持式蒸汽清洁剂后，将 Autoselect™ 旋钮 (2) 旋转到关闭位置。按开关按钮 (1) 关闭设备并断开电源。等待设备冷却后再存放（约 5 分钟）。

故障排除

如果设备似乎无法正常运行，请按照以下说明进行操作。如果仍不能解决问题，请联系您当地的 BLACK+DECKER 维修代理。

问题	步骤	可能的解决方案
蒸汽拖把没有启动	1.	检查设备是否已插入墙壁插座。
	2.	使用开关 (1) 检查设备是否已打开
	3.	检查插头中的保险丝。
蒸汽拖把不产生蒸汽	4.	蒸汽拖把仅在蒸汽软管正确安装或 Autoselect™ 开启时才产生蒸汽。
	5.	检查水箱是否已满。注：首次注水或运行干燥后，可能需要最长 45 秒时间来产生蒸汽。
	6.	依次检查步骤 1、步骤 2 和步骤 3
蒸汽拖把在使用过程中停止产生蒸汽	7.	依次检查步骤 4、步骤 5 和步骤 3
蒸汽拖把在使用过程中产生的蒸汽太多	8.	逆时针旋转 Autoselect™ 旋钮 (2)，以减少产生的蒸汽量
蒸汽拖把在使用过程中产生的蒸汽太少	9.	顺时针旋转 Autoselect™ 旋钮 (2)，以增加产生的蒸汽量
在哪里可以获得更多信息/附件	10.	www.blackanddecker.co.uk/steammp www.blackanddecker.ie/steammp

服务信息

Black & Decker 提供覆盖整个亚洲的公司隶属和授权服务地点。所有的 Black & Decker 服务中心都具有训练有素的人员，为客户提供高效和可靠的产品服务。

不论您是需要技术建议、维修或原厂替换部件，请联系最靠近您的 Black & Decker 地点。

注

- ◆ Black & Decker 的政策是持续改进我们的产品，因此，我们保留随时更改产品规格的权利，恕不另行通知。
- ◆ 标准设备和配件可能会因为不同的国家而有所不同

同。

- ◆ 产品规格可能会因为不同的国家而有所不同。
- ◆ 并非所有的国家都有提供完整的产品系列。有关各产品系列的供货情况，请联系您当地的 Black & Decker 代理商。

制造商：百得美国公司

地 址：701 E Joppa Rd, TW050 MD21286 Towson, 美国

产 地：江苏苏州

销售部：史丹利五金工具（上海）有限公司

上海市浦东新区竹林路101号陆家嘴基金大厦8楼

邮 编：200131 电 话：021-61621858

FSMH1300FX 蒸氣拖把

技術資料

		FSMH1300FX
電壓	V _{ac}	110V
功率	W	1300
水箱容量	ml	500
重量	kg	2.4

請注意！各地區上市產品/配件不盡相同，請依台灣繁體中文說明書的內容為主。

Warning! Attachments and accessories are not the same in each region, please only refer to Taiwan Traditional Chinese description in this manual.

設計用途

BLACK+DECKER™ FSMH1300FX 蒸氣拖把的設計用途，是對密封硬木、密封層壓、亞麻油地氈、乙烯基、磁磚、石質與大理石地板進行消毒與清潔。本器具僅供一般家庭室內使用，營業使用者不適用一年保修條款。

安全說明



警告！操作本器具前，請仔細閱讀安全、維護及檢修手冊的所有內容。操作本器具前，請仔細閱讀本手冊的所有內容。

器具上的標籤

本器具上附帶以下圖示與日期代碼。



小心灼熱蒸汽



不要讓兒童處於無人看管的狀態



僅限手洗

功能部件

本工具包括以下部分或全部功能部件。

1. 電源開關
2. Autoselect™ 智能選擇轉盤

3. 手持式蒸汽裝置手柄
4. 加水口蓋
5. 水箱
6. 接口
7. 地板延長管釋放鈕
8. 地板延長桿
9. 地板清潔頭
10. 清潔墊
11. 清潔墊拆卸片
12. 配件連接軟管
13. 圓形刷頭配件（供用於難以清除的污漬）
14. 長形刷頭配件（供用於瓷磚/灌漿）
15. 橡膠清潔器配件（供用於淋浴屏/玻璃/鏡子/服裝/內飾）
16. 橡膠清潔器套

裝配



警告！在嘗試根據以下任何說明進行操作前，請確保本器具已關閉並拔出插頭、器具已冷卻且不含水。

將地板延長桿連接至地板清潔頭（圖 A）

- ◆ 將地板延長桿 (8) 牢牢推入地板清潔頭 (9)，確保其牢固地卡入到位。

將手持式蒸汽裝置連接至地板延長桿（圖 B）

- ◆ 將手持式蒸汽裝置牢牢推入地板延長桿 (8) 上，確保其對準接口 (6)，並牢固地卡入到位。

警告！每次使用前，檢查手持式蒸汽清潔器上的連接點和地板延長桿 (8) 之間的密封件。如果密封件故障或損壞，請與附近的授權維修代理聯絡。請勿使用本器具。

拆卸手持式蒸汽裝置

- ◆ 按下地板延長桿 (8) 上的釋放按鈕 (7)，並將手持式蒸汽裝置從接口 (6) 上提起。

安裝清潔墊（圖 C）

您的 BLACK+DECKER 代理商可提供替換用清潔墊（目錄號 FSMP20-XJ）。

◆ 將清潔墊 (10) 放在地板上，魔術貼「毛面」一側朝上。

◆ 在清潔墊 (10) 上向下輕輕按壓蒸汽拖把。

小心！在任何地面上，任何時候都切勿將蒸汽拖把放在某處而置之不理。放置靜止不動的蒸汽拖把時，請務必使其保持直立，若不使用蒸汽拖把，請確保關閉其電源。

卸除清潔墊

小心！變更蒸汽拖把上的清潔墊時，請務必穿著適合的鞋。

請勿穿著拖鞋或露腳趾的鞋。

- ◆ 將蒸汽拖把恢復為直立狀態，並「關閉」蒸汽拖把電源。
- ◆ 等候蒸汽拖把冷卻 (大約 5 分鐘)。
- ◆ 以清潔墊拆卸片 (11) 支撐重量，提起蒸汽拖把，分離魔術貼的毛面與刺面，從而卸除拖把上的清潔墊。

小心！在任何地面上，任何時候都切勿將蒸汽拖把放在某處而置之不理。

放置靜止不動的蒸汽拖把時，請務必使其保持直立，若不使用蒸汽拖把，請確保關閉其電源。

向水箱中注水 (圖 D)

注意！請在水箱中注入乾淨的自來水 (請勿使用任何添加劑或化學品)。

注意！在硬水區域，建議使用去離子水。

- ◆ 向上翻轉打開加水口蓋 (4)。
- ◆ 請在水箱中注入水 (請勿使用任何添加劑或化學品)。

警告！加注時，保持水平位置。

警告！水箱的容量為 0.5 升。請勿在水箱中加太滿的水。

- ◆ 關閉加水口蓋 (4)。

注意！確保加水口蓋已牢固固定。

使用

重要資訊！若使用時遵循本手冊中的說明、安裝清潔墊並持續運作 90 秒，則本裝置將殺死 99.9% 的細菌與微生物。

開啟和關閉電源 (圖 F)

◆ 若要開啟本裝置，請按下電源開關 (1)。蒸汽拖把升溫需要大約 15 秒。

◆ 若要關閉本裝置，請按下電源開關 (1)。

小心！在任何地面上，任何時候都切勿將蒸汽拖把放在某處而置之不理。放置靜止不動的蒸汽拖把時，請務必使其保持直立，若不使用蒸汽拖把，請確保關閉其電源。

小心！在使用後，請務必倒空蒸汽拖把中的水。

注意！在第一次注水或在水耗盡後再次注水時，產生蒸汽最多需要 45 秒

Autoselect™ 智能選擇技術 (圖 E)

本蒸汽拖把裝有 Autoselect™ 智能選擇轉盤 (2)，其中顯示了多種清潔應用。您可以根據特定清潔用途，選擇正確的操作模式。

使用 Autoselect™，透過旋轉 Autoselect™ 智能選擇轉盤 (2) 直到選擇所需的設定，在以下應用中選擇其一：

設定	拖把	手持式
	木材/層壓板	高溫用於重度污垢 ●
	石頭/大理石	● ●
	瓷磚/乙烯基地板	低溫用於窗戶 ● ● ● ●

本蒸汽拖把會根據您的特殊清潔操作，選擇所需的合適蒸汽量。

注意：使用蒸汽拖把之前，請務必確保您使用的是正確設定。

將軟管和附件連接至手持式蒸汽清潔器

警告！每次使用前，檢查手式蒸汽清潔器上的連接點和蒸汽軟管 (12) 之間的密封件。如果密封件故障或損壞，請與附近的授權維修代理聯絡。請勿使用本器具。

連接軟管 (圖 H)

◆ 按下蒸汽軟管 (12) 上的蒸汽軟管釋放按鈕 (17)。

◆ 將蒸汽軟管 (12) 連接至手持式蒸汽清潔器，並鬆開蒸汽軟管釋放按鈕 (17)，確保其卡入到位。

重要資訊！確保蒸汽軟管 (12) 牢牢地連接至手持式

蒸汽清潔器。如果蒸汽從接頭逸出，則軟管安裝不正確。關閉電源，讓裝置冷卻，然後拆下並重新安裝軟管。

連接配件 (圖 1)

- ◆ 將蒸汽噴嘴 (12) 上的凸耳與附件的凹槽對齊。
- ◆ 將配件按壓至蒸汽噴嘴上，逆時針旋轉直到配件卡入到位。

重要資訊！ 所有配件必須連接至蒸汽軟管 (12) 上以供使用。

拆卸軟管和配件

警告！ 蒸汽軟管 (12)、蒸汽噴嘴和配件會在使用期間變熱。應等到裝置和所有配件冷卻下來然後再嘗試拆卸。

拆卸配件

- ◆ 順時針旋轉配件，然後將其拉離軟管 (12)。

拆卸軟管

- ◆ 按下蒸汽軟管 (12) 上的蒸汽軟管釋放按鈕 (17)，然後從手持式蒸汽裝置上拉開。

最佳使用提示

一般

小心： 若未先安裝清潔墊，切勿使用蒸汽拖把。

- ◆ 在使用蒸汽拖把之前，請務必使用吸塵器清潔或清掃地板。
- ◆ 本器具最簡易的使用方式，是將裝置傾斜至 45° 並緩慢清潔，一次清潔一小片區域。
- ◆ 只使用不含添加劑或化學品的水與蒸汽拖把搭配使用。若要清除亞麻油地氈或乙烯基地板上難以去掉的污漬，可以先使用中性的清潔劑與一些水進行預處理，然後再使用蒸汽拖把。

用拖把進行蒸汽清潔

- ◆ 將手持式蒸汽清潔器安裝至地板延長桿 (8)。
- ◆ 將清潔墊 (10) 放在地板上，魔術貼「毛面」一側朝上。
- ◆ 在清潔墊 (10) 上向下輕輕按壓蒸汽拖把。

- ◆ 將蒸汽拖把連接至主電源。
 - ◆ 按下電源開關 (1)。蒸汽拖把升溫需要大約 15 秒。
 - ◆ 旋轉 Autoselect™ 智能選擇轉盤 (2) 直到達到所需設定。數秒後，蒸汽將從蒸汽頭中湧出。
- 注意！** 首次注水或用乾後，可能需要長達 45 秒時間來產生蒸汽。
- ◆ 蒸汽進入清潔墊需要數秒時間。此後蒸汽拖把可在要消毒/清潔的地面上輕鬆滑動。
 - ◆ 在整個地面上緩慢推拉蒸汽拖把，即可對每部分地面進行徹底的蒸汽清潔。
 - ◆ 蒸汽拖把使用完成後，請將手柄 (8) 恢復為直立狀態，確保其受到支撐，並「關閉」蒸汽拖把。等候蒸汽拖把冷卻 (大約五分鐘)。

小心！ 務必監控水箱中的水位。若要向水箱中再次注水並繼續消毒/清潔，請將蒸汽拖把保持直立狀態，確保其受到支撐，並「關閉」蒸汽拖把。從牆面插座上拔下裝置電源插頭，然後重新加水箱。

小心！ 在任何地面上，任何時候都切勿將蒸汽拖把放在某處而置之不理。放置靜止不動的蒸汽拖把時，請務必使其保持直立，若不使用蒸汽拖把，請確保關閉其電源。

使用後

- ◆ 將 Autoselect™ 智能選擇轉盤 (2) 旋到關閉位置。
- ◆ 等到蒸汽拖把冷卻。
- ◆ 從牆面插座上拔下蒸汽拖把插頭。
- ◆ 倒空水箱。
- ◆ 拆卸清潔墊 (10) 並清洗以備下次使用 (注意遵循清潔墊上印刷的清潔保養說明)。

配件

本器具的效能取決於所使用的配件。BLACK+DECKER 配件依據高品質標準進行規劃，並設計用於增強器具的效能。透過使用這些配件，設備將提供極佳效能。

手持式蒸汽清潔

警告！ 僅限在水平/平面位置使用。

- ◆ 連接所需配件。
- ◆ 將手持式蒸汽清潔器連接到主電源。

- ◆ 按下電源開關 (1)。蒸汽拖把升溫需要大約 15 秒。
- ◆ 旋轉 Autoselect™ 智能選擇轉盤 (2) 直到達到所需設定。數秒後，蒸汽將從蒸汽頭中湧出。

注意！ 首次注水或用乾後，可能需要長達 45 秒時間來產生蒸汽。

- ◆ 使用完手持式蒸汽清潔器後，將 Autoselect™ 智能選擇轉盤 (2) 旋轉到關閉位置。按電源開關按鈕 (1) 關閉裝置並斷開電源連接。等到裝置冷卻再存放（約五分鐘）。

疑難排解

若本器具似乎運作異常，請遵循以下說明。若如此未能解決問題，請聯絡您當地的 BLACK+DECKER 維修代理商。

問題	步驟	可能的解決方案
蒸汽拖把無法開啟	1.	檢查是否將本裝置插入牆壁上的插座中。
	2.	檢查是否已使用電源開關 (1) 開啟本裝置。
	3.	檢查插頭中的保險絲。
蒸汽拖把無法產生蒸汽	4.	蒸汽拖把僅在蒸汽軟管正確安裝或 Autoselect™ 開啟時才產生蒸汽。
	5.	檢查水箱是否已滿。注意：在第一次注水或在水耗盡後再次注水時，產生蒸汽最多需要 45 秒。
	6.	依次執行步驟 1、2 與 3 進行檢查
蒸汽拖把在使用期間停止產生蒸汽	7.	依次執行步驟 4、5 與 3 進行檢查
蒸汽拖把在使用期間產生的蒸汽過多	8.	逆時針旋轉 Autoselect™ 轉盤 (2)，以減少產生的蒸汽量
蒸汽拖把在使用期間產生的蒸汽過少	9.	順時針旋轉 Autoselect™ 轉盤 (2)，以增加產生的蒸汽量

問題	步驟	可能的解決方案
我從何處可以取得更多資訊/配件	10.	http://bdk.stanleyblackanddecker.com.tw/

維修資訊

Black & Decker 提供遍佈亞洲的公司隸屬及授權服務地點。所有的 Black & Decker 服務中心都具有訓練有素的人員，為客戶提供高效、可靠的產品服務。

僅可由認證的技術人員執行。請勿交由非百得認證服務中心的認證技術人員進行修理、維護、調整。若產品經由非百得認證的維修工程師拆解、組裝、調整，恕無法適用百得一年家用保修條款。為充份發揮其功能，修理、維護、調整請務必使用原廠零件。

附註

- ◆ Black & Decker 秉持不斷改善產品的原則，因此，我們保留隨時變更產品規格而不預先通知的權利。
- ◆ 標準設備及配件可能視國家/地區而有所不同。
- ◆ 產品規格可能視國家/地區而有所不同。
- ◆ 並非在所有的國家/地區都將提供完整的產品系列。如需各產品系列的供應情況，請聯絡您當地的 Black & Decker 代理商。

經銷商：特力股份有限公司

地址：台北市內湖區新湖三路23號1.2.5樓

電話：0800-552888

進口/委製廠商：新加坡商百得電動工具(股)

公司台灣分公司

地址：台北市士林區德行西路33號2樓

電話：02-2834-1741

FSMH1300FX 스팀매팔

기술 데이터

FSMH1300FX		
전압	Vac	220-240
전력	W	1300
탱크 용량	ml	500
무게	kg	2.4

용도

BLACK+DECKER™ FSMH1300FX 스팀매팔은 포장 견목, 포장 합판, 리놀륨, 비닐, 세라믹 타일, 석재 및 대리석 바닥의 오염 물질을 제거하고 청소할 수 있도록 제작되었습니다. 본 제품은 실내 가정용입니다.

안전 지침



경고! 본 제품을 사용하기 전에 '안전, 유지 보수, 서비스' 설명서의 전체 내용을 잘 읽고 숙지하십시오. 제품을 사용하기 전에 본 사용 설명서 전체 내용을 잘 읽고 숙지하십시오.

제품에 부착된 라벨

제품에는 제품에 표시된 날짜 코드와 함께 다음과 같은 그림이 있습니다.



주의 뜨거운 증기



어린이를 혼자 두고 제품 곁을 떠나지 마십시오



손 세척만

기능

본 제품에는 다음 기능들 중 일부 또는 모두가 포함되어 있습니다.

1. 켜짐/꺼짐 스위치
2. 스마트 셀렉트™ 다이얼
3. 스팀 청소기 핸들
4. 주입구 뚜껑
5. 물 탱크
6. 연결관
7. 플로어 연장관 분리 버튼
8. 플로어 연장관
9. 플로어 클리닝 헤드
10. 스팀매팔 패드
11. 스팀매팔 패드 분리 탭

12. 액세서리 부착 호스
- 13-1. 청소용 솔-블루 (얼룩 제거가 어려운 곳에 사용)
- 13-2. 청소용 솔-옐로우 (얼룩 제거가 어려운 곳에 사용)
14. 받침대
15. 고무 롤러 액세서리(사워 스크린/유리/거울/의류/덮개에 사용 시)

조립



경고! 다음 지침을 시도하기 전에, 제품 전원이 꺼졌고 플러그가 분리되었으며 제품이 식었고 물이 들어 있지 않은지 확인하십시오.

플로어 클리닝 헤드에 플로어 연장관 장착(그림 A)

- ◆ 딸깍 소리가 나는지 확인하면서 플로어 연장관(8)을 플로어 클리닝 헤드(9)에 밀어 넣습니다.

플로어 연장관에 소형 스팀 기기 장착(그림 B)

- ◆ 정확하게 연결관(6)에 장착되었고 제자리에서 확실하게 소리가 나는지 확인하면서 소형 스팀장치(7)를 플로어 연장관(8)에 밀어 넣습니다.

경고! 매번 사용하기 전에 소형 스팀 클리너의 연결 지점과 플로어 연장관(8) 사이의 밀봉 부분을 검사하십시오. 밀폐 부분이 고장 났거나 손상된 경우 가까운 공인 수리 대리점에 문의하십시오. 본 제품을 사용하지 마십시오.

소형 스팀장치 분리

- ◆ 플로어 연장관(8)의 해제 버튼(7)을 눌러서 소형 스팀장치를 연결관(6)에서 들어 올립니다.

클리닝 패드 부착(그림 C)

교체 스팀매팔 패드는 BLACK+DECKER 판매점에서 구입할 수 있습니다(카탈로그 번호 FSMP20-KR).

- ◆ 벨크로 '고리' 쪽이 위를 향하도록 한 상태에서 스팀매팔 패드(10)를 바닥에 놓으십시오.
 - ◆ 스팀매팔을 스팀매팔 패드(10)에 놓고 살짝 아래로 누릅니다.
- 주의!** 어떠한 바닥 표면에도 스팀매팔을 장시간 동안 한 위치에 놔두지 마십시오. 항상 고정 시에는 수직 위치로 지지한 상태로 스팀매팔을 놓고 사용하지 않을 때는 스팀매팔이 꺼졌는지 확인하십시오.

클리닝 패드 제거

주의! 스팀매팔의 스팀매팔 패드를 교체할 때는 항상 적합한 신발을 신으십시오.

슬리퍼 또는 발가락 부분이 트인 신발을 신지 마십시오.

- ◆ 스팀매팔을 수직 위치로 돌려 놓고 스팀매팔을 'OFF'로 바꿉니다.
- ◆ 스팀매팔이 식을 때까지 기다리십시오(약 5분).
- ◆ 스팀매팔 패드 제거 탭(11)에 무게를 실어서, 스팀매팔을 스팀매팔 패드에서 들어 올려서 벨크로 체결을 풉니다.

주의! 어떠한 표면에도 스팀매팔을 장시간 동안 한 위치에 놔두지 마십시오.

항상 고정 시에는 수직 위치로 지지한 상태로 스팀맷을 놓고 사용하지 않을 때는 스팀맷이 꺼졌는지 확인하십시오.

물 탱크 보충(그림 D)

참고! 깨끗한 수돗물로 물 탱크를 채우십시오(첨가제나 화학제품을 사용하지 마십시오).

참고! 경수 지역의 경우, 비이온화 물을 사용하는 것이 좋습니다.

- ◆ 주입구 뚜껑(4)을 위로 젖혀서 엽니다.
- ◆ 물 탱크에 물을 채우십시오(첨가제나 화학제품을 사용하지 마십시오).

경고! 물을 채울 때 수평 위치를 유지하십시오.

경고! 물 탱크의 용량은 0.5리터입니다. 물 탱크에 물을 너무 많이 넣지 마십시오.

- ◆ 주입구 뚜껑(4)을 닫으십시오.

참고! 주입구 뚜껑이 확실히 잠겼는지 확인하십시오.

사용법

중요! 이 기기는 본 설명서의 지침에 따라 사용하고 초극세사 패드를 부착하고 90초 동안 연속 작동했을 때 세균과 미생물을 99.9% 살균할 것입니다.

전원 켜기 및 끄기(그림 F)

- ◆ 제품 스위치를 켜려면, ON/OFF 스위치(1)를 누릅니다. 스팀맷을 예열하려면 약 15초가 걸립니다.
- ◆ 제품 스위치를 끄려면, ON/OFF 스위치(1)를 누릅니다.

주의! 어떠한 표면에도 스팀맷을 장시간 동안 한 위치에 놔두지 마십시오.

항상 고정 시에는 수직 위치로 지지한 상태로 스팀맷을 놓고 사용하지 않을 때는 스팀맷이 꺼졌는지 확인하십시오.


주의! 항상 사용 후에는 물통을 비워주세요.

참고! 처음 물을 채웠거나 건조한 상태로 작동한 후에는 스팀이 생성되는 데 최대 45초 걸릴 수 있습니다.

스마트 셀렉트 기술(그림 E)

본 스팀맷에는 다양한 청소 용도를 보여 주는 스마트 셀렉트 다이얼(2)이 장착되어 있습니다. 이를 사용해서 특정 청소를 위한 정확한 작동 모드를 선택합니다.

스마트 셀렉트를 사용해서, 필요한 설정이 선택될 때까지 스마트 셀렉트를(2) 돌려서 다음 용도 중 하나를 선택하십시오.

설정	맷	소형
	목재/합판	창문 청소 시 고온 스팀 ●
	석재/대리석	● ●
	타일/비닐	심한 오염 청소 시 저온 스팀 ● ● ●

스팀맷이 특정 청소 작업에 필요한 적절한 스팀 양을 선택할 것입니다. **참고:** 스팀맷을 사용하기 전에 적절한 설정으로 사용하고 있는지 확인하십시오.

소형 스팀 클리너에 호스 및 액세서리 장착

경고! 매번 사용하기 전에 소형 스팀 클리너의 연결 지점과 스팀 호스(12) 사이의 밀봉 부분을 검사하십시오. 밀폐 부분이 고장 났거나 손상된 경우 가까운 공인 수리 대리점에 문의하십시오. 본 제품을 사용하지 마십시오.

호스 장착(그림 H)

- ◆ 스팀 호스(12)에 있는 스팀 호스 해제 버튼(17)을 누릅니다.
- ◆ 스팀 호스(12)를 소형 스팀 클리너에 연결하고 제자리에서 딸깍 소리가 나는지 확인하면서 스팀 호스 해제 버튼(17)을 놓습니다.

중요! 스팀 호스(12)가 소형 스팀 클리너에 단단히 연결되었는지 확인하십시오. 스팀이 이음부에서 빠져 나오는 경우 호스가 잘못 장착된 것입니다. 스위치를 끄고 기기를 식힌 다음 호스를 분리했다가 다시 장착하십시오.

액세서리 장착(그림 I)

- ◆ 스팀 노즐(12)의 스마트 셀렉트를 액세서리의 안쪽 홈에 맞춥니다.
- ◆ 액세서리를 스팀 노즐에 누르고 액세서리가 제 자리에 소리를 낼 때까지 시계 반대 방향으로 돌립니다.

중요! 모든 액세서리는 사용을 위해 스팀 호스(12)에 장착되어야 합니다.

호스 및 액세서리 분리

경고! 사용 중에 스팀 호스(12), 스팀 노즐 및 액세서리가 뜨거워질 수 있습니다. 분리하기 전에 기기와 모든 액세서리를 식혀 주십시오.

액세서리 분리

- ◆ 액세서리를 시계 방향으로 돌려 호스(12)에서 분리합니다.

호스 분리

- ◆ 스팀 호스(12)에 있는 스팀 호스 해제 버튼(17)을 눌러서 소형 스팀 기기에서 분리합니다.

최적의 사용법

일반

주의! 절대로 스팀맷 패드를 장착하지 않은 상태에서 스팀맷을 사용하지 마십시오.

- ◆ 스팀맷을 사용하기 전에 항상 바닥을 진공 청소하거나 빗자루로 청소하십시오.
- ◆ 제품을 사용하는 가장 쉬운 방법은 기기를 45° 로 기울여서 한 번에 적은 영역을 천천히 청소하는 것입니다.
- ◆ 스팀맷에는 첨가제나 화학물질을 넣지 않은 물만 사용하십시오. 비닐 또는 리놀륨 바닥에서 없애기 힘든 오염을 제거하려면, 스팀맷을 사용하기 전에 중성 세제와 약간의 물로 사전 처리할 수 있습니다.

걸레를 사용한 스팀 청소

- ◆ 소형 스팀 클리너를 플로어 연장관(8)에 장착합니다.
- ◆ 벨크로 '고리' 쪽이 위를 향하도록 한 상태에서 스팀맷 패

드(10)를 바닥에 놓으십시오.

- ◆ 스팀맷을 스팀맷 패드(10)에 놓고 살짝 아래로 누릅니다.
- ◆ 스팀맷을 메인 콘센트에 연결합니다.
- ◆ ON/OFF 버튼(1)을 누릅니다. 스팀맷을 예열하려면 약 15초가 걸립니다.
- ◆ 스마트 셀렉트 다이얼(2)을 돌려서 필요한 설정에 놓습니다. 몇 초 후에 스팀 헤드에서 증기가 나오기 시작합니다.

참고! 처음 물을 채웠거나 건조한 상태로 작동한 후에는 스팀이 생성되는 데 최대 45초 걸릴 수 있습니다.

- ◆ 스팀이 스팀맷 패드에 들어가려면 몇 초가 걸립니다. 이후 스팀맷은 살균 청소할 바닥에서 손쉽게 미끄러집니다.
- ◆ 바닥에서 스팀맷을 밀고 당겨 모든 부분을 철저히 청소합니다.
- ◆ 스팀맷 사용을 마쳤으면, 스팀맷이 지지되고 있고 꺼졌는지 확인하면서 핸들(8)을 수직 위치로 돌려 놓습니다. 스팀맷이 식을 때까지 기다리십시오(약 5분).

주의! 물 탱크의 물 레벨을 모니터링하는 것이 중요합니다. 물 탱크를 보충하고 살균/청소를 계속하려면 스팀맷이 지지되어 있고 'OFF' 상태인지 확인하면서 스팀맷을 세워두십시오. 전기 벽 콘센트에서 기기의 플러그를 뽑고, 물 탱크를 다시 채웁니다.

주의! 어떠한 바닥 표면에도 스팀맷을 장시간 동안 한 위치에 놔두지 마십시오. 항상 고정 시에는 수직 위치로 지지한 상태로 스팀맷을 놓고 사용하지 않을 때는 스팀맷이 꺼졌는지 확인하십시오.

사용 후

- ◆ 스마트 셀렉트 다이얼(2)을 OFF 위치로 바꿉니다.
- ◆ 스팀맷이 식을 때까지 기다리십시오.
- ◆ 전기 벽 콘센트에서 스팀맷의 플러그를 뽑으십시오
- ◆ 물 탱크를 비우십시오.
- ◆ 스팀맷 패드(10)를 분리하여 다음 사용을 위해 닦아 놓으십시오(스팀맷 패드에 인쇄되어 있는 세척 관리 지침 사항을 준수하십시오).

액세서리

제품의 성능은 사용한 액세서리에 따라 결정됩니다. BLACK+DECKER 액세서리는 높은 품질 기준을 만족하도록 제조되었으며, 제품의 성능을 향상시키도록 설계되었습니다. 이러한 액세서리를 사용함으로써 제품의 기능을 최대한 활용할 수 있습니다.

소형 스팀 클리닝

경고! 수평한 위치에서만 사용하십시오.

- ◆ 필요한 액세서리를 부착합니다.
- ◆ 소형 스팀 클리너를 본체에 연결합니다.
- ◆ ON/OFF 버튼(1)을 누릅니다. 스팀맷을 예열하려면 약 15초가 걸립니다.
- ◆ 스마트 셀렉트 다이얼(2)을 돌려서 필요한 설정에 놓습니다. 몇 초 후에 스팀 헤드에서 증기가 나오기 시작합니다.

참고! 처음 물을 채웠거나 건조한 상태로 작동한 후에는 스팀이 생성되는 데 최대 45초 걸릴 수 있습니다.

- ◆ 소형 스팀 클리너의 사용을 마쳤으면, 스마트 셀렉트다이얼

(2)을 OFF 위치로 놓으십시오. ON/OFF 버튼(1)을 눌러서 기기를 끄고 메인 공급 장치에서의 연결을 끊습니다. 보관하기 전에 기기가 식을 때까지 기다리십시오(약 5분).

문제 해결

제품이 제대로 작동하지 않는 것 같은 경우, 아래의 지침을 따르십시오. 문제가 해결되지 않는 경우, 가까운 BLACK+DECKER 수리 대리점에 문의하십시오.

문제	조치	가능한 해결책
스팀맷이 켜지지 않는다	1.	벽 콘센트에 기기의 플러그가 꽂혀 있는지 확인하십시오.
	2.	ON/OFF 스위치(1)를 사용해서 기기의 전원이 켜지는지 확인하십시오.
	3.	플러그의 퓨즈를 확인하십시오.
스팀맷에서 스팀이 나오지 않는다	4.	스팀맷은 스팀 호스가 정확하게 장착되어 있거나 오토 셀렉트™가 ON에 있을 경우에만 스팀이 생성됩니다.
	5.	물 탱크가 가득 차 있는지 확인하십시오. 참고: 처음 물을 채웠거나 건조한 상태로 작동한 후에는 스팀이 생성되는 데 최대 45초 걸릴 수 있습니다.
	6.	조치 1, 2 및 3을 순서대로 확인하십시오.
사용 중에 스팀맷이 스팀 생성이 멈춘다	7.	조치 4, 5 및 3을 순서대로 확인하십시오.
사용 중에 스팀이 너무 많이 나온다	8.	오토 셀렉트™ 다이얼(2)을 시계 반대 방향으로 돌려서 스팀 생성량을 줄이십시오.
사용 중에 스팀이 너무 적게 나온다	9.	오토 셀렉트™ 다이얼(2)을 시계 방향으로 돌려서 스팀 생성량을 늘리십시오.
추가 정보/액세서리를 어디에서 얻을 수 있습니까?	10.	www.blackanddecker.co.uk/steam mop www.blackanddecker.ie/steam mop

서비스 정보

블랙앤드데커 청소기는 가까운 동부 대우전자 서비스센터(1577-0933)에서 받으실 수 있습니다. 모든 Black & Decker 서비스 센터에는 교육을 이수한 전문 인원이 배치되어 있어 고객에게 효과적이고 믿을 수 있는 제품 서비스를 제공하고 있습니다. 기술 지원, 수리 또는 순정 교체 부품이 필요한 모든 경우에 가까운 Black & Decker로 연락하십시오.

참고

- ◆ Black & Decker는 제품을 지속적으로 개선하는 정책을 취하고 있기 때문에 사전 통지 없이 제품 사양이 변경될 수 있습니다.

한국어

- ◆ 기본 장비 및 액세서리 구성은 국가에 따라 다를 수 있습니다.
- ◆ 제품 사양은 국가에 따라 다를 수 있습니다.
- ◆ 국가에 따라 판매하지 않는 제품도 있을 수 있습니다. 제품 판매 여부는 해당 지역에 있는 Black & Decker 판매점으로 문의하십시오.

**FSMH1300FX
PEL UAP**

Data Teknis

		FSMH1300FX
Voltase	V_{ac}	220-240
Daya	W	1300
Kapasitas Tangki	ml	500
Berat	kg	2,4

Tujuan penggunaan

Pel uap FSMH1300FX BLACK+DECKER™ Anda telah dirancang untuk mensterilkan dan membersihkan kayu keras tertutup, pelapis tertutup, linoleum, vinil, ubin keramik, lantai batu dan marmer. Peralatan ini hanya ditujukan untuk penggunaan di dalam rumah.

Petunjuk keselamatan



Peringatan! Bacalah seluruh isi panduan 'Keselamatan, Pemeliharaan, dan Servis' dengan saksama sebelum mengoperasikan peralatan ini. Bacalah seluruh isi panduan ini dengan saksama sebelum mengoperasikan peralatan ini.

Label pada peralatan

Piktogram berikut beserta kode tanggal ditampilkan pada peralatan.



PERHATIAN Uap Panas



Jangan biarkan dengan anak-anak tanpa pengawasan



Hanya boleh dicuci dengan tangan

Fitur-Fitur

Peralatan ini memiliki beberapa atau semua fitur berikut ini.

1. Sakelar on/off
2. Tombol Autoselect™
3. Gagang unit uap genggam
4. Tutup pengisi
5. Tangki air
6. Antarmuka
7. Tombol pelepas ekstensi lantai
8. Ekstensi lantai
9. Kepala untuk pembersih lantai
10. Bantalan pembersih
11. Tab pelepas bantalan pembersih

12. Selang alat tambahan aksesoris
13. Aksesoris sikat sudut (digunakan pada permukaan keras untuk menghilangkan noda)
14. Aksesoris sikat (untuk digunakan pada ubin/nat)
15. Aksesoris alat pembersih dari karet (untuk digunakan pada shower screen/kaca/cermin/pakaian/kain pelapis)
16. Sok alat pembersih dari karet

Perakitan



Peringatan! Sebelum mencoba melakukan salah satu petunjuk berikut, pastikan bahwa peralatan dimatikan dan dicabut, dan peralatan telah dingin dan tidak mengandung air.

Memasang ekstensi lantai ke kepala pembersih lantai (Gbr. A)

- ◆ Dorong ekstensi lantai (8) dengan kuat ke kepala pembersih lantai (9) dengan memastikannya terkunci dengan aman pada tempatnya.

Memasang unit uap genggam ke ekstensi lantai (Gbr. B).

- ◆ Dorong unit uap genggam dengan kuat ke dalam ekstensi lantai (8) dengan memastikannya terletak dengan benar pada antarmuka (6) dan terkunci aman ke tempatnya.

Peringatan! Periksa segel antara titik sambungan pada pembersih uap genggam dan ekstensi lantai (8) sebelum masing-masing digunakan. Jika segel tidak berfungsi atau rusak, silakan hubungi agen perbaikan resmi terdekat. Jangan gunakan peralatan.

Melepas unit uap genggam

- ◆ Tekan tombol pelepas (7) pada ekstensi lantai (8) dan angkat unit uap genggam dari antarmuka (6).

Memasang bantalan pembersih (Gbr. C)

Bantalan pembersih pengganti tersedia dari dealer BLACK+DECKER:- (cat no. FSMP20-XJ).

- ◆ Letakkan bantalan pembersih (10) di lantai dengan sisi 'tali' velcro menghadap ke atas.
- ◆ Injak pel uap pada bantalan pembersih secara perlahan (10).

Perhatian: Jangan pernah meninggalkan pel uap di satu titik pada permukaan apa pun selama beberapa waktu. **Selalu letakkan pel uap dengan tertopang dalam posisi ke atas jika stasioner dan pastikan pel uap dimatikan jika tidak digunakan.**

Melepas bantalan pembersih

Perhatian! Selalu kenakan sepatu yang sesuai saat mengganti bantalan pembersih pada pel uap Anda. Jangan mengenakan sandal jepit atau sepatu dengan ujung terbuka.

- ◆ Kembali pel uap ke posisi ke atas dan 'MATIKAN' pel uap.
- ◆ Tunggu sampai pel uap mendingin (sekitar 5 menit).
- ◆ Angkat pel uap jauh dari bantalan pembersih agar terbebas dari pengikat velcro dengan meletakkan berat pada tab pelepas bantalan pembersih (11).

Perhatian! Jangan pernah meninggalkan pel uap di satu titik pada permukaan apa pun selama beberapa waktu.

Selalu letakkan pel uap dengan tertopang dalam posisi ke atas jika stasioner dan pastikan pel uap dimatikan jika tidak digunakan.

Mengisi tangki air (Gbr. D)

Catatan! Isi tangki air dengan air keran yang bersih (jangan menggunakan aditif atau bahan kimia).

Catatan! Di area yang sulit air, penggunaan air de-ionisasi direkomendasikan.

- ◆ Buka tutup pengisi (4) dengan memutar ke atas.
- ◆ Isi tangki air dengan air (jangan menggunakan aditif atau bahan kimia apa pun).

Peringatan! Saat mengisi, pertahankan dalam posisi horizontal.

Peringatan! Tangki air Anda memiliki kapasitas 0,5 liter. Jangan mengisi tangki sampai penuh.

- ◆ Tutup tutup pengisi(4).

Catatan! Pastikan tutup pengisi dikencangkan dengan kuat.

Penggunaan

Penting! Unit ini akan membunuh 99,9% bakteri dan kuman jika digunakan sesuai dengan petunjuk dalam buku panduan ini dan dengan bantalan serat mikro yang terpasang dan waktu pengoperasian yang terus-menerus selama 90 detik.

Menyalakan dan mematikan (Gbr. F)

- ◆ Untuk menyalakan peralatan, tekan tombol ON/Off (1). Memerlukan waktu sekitar 15 detik agar pel uap memanaskan.
- ◆ Untuk mematikan peralatan, tekan tombol ON/Off (1).

Perhatian! Jangan pernah meninggalkan pel uap di satu titik pada permukaan apa pun selama beberapa waktu.

Selalu letakkan pel uap dengan tertopang dalam posisi ke atas jika stasioner dan pastikan pel uap dimatikan jika tidak digunakan.

Perhatian! Selalu kosongkan pel uap setelah digunakan.

Catatan! Saat pertama kali diisi atau setelah mengering, memerlukan waktu hingga 45 detik agar mengeluarkan uap

Teknologi Autoselect™ (Gbr. E)

Pel uap ini dipasang dengan tombol Autoselect™ (2) yang menunjukkan beragam aplikasi pembersihan. Aplikasi digunakan untuk memilih mode pengoperasian yang tepat untuk operasi pembersihan tertentu.

Menggunakan Autoselect™, pilih dari salah satu aplikasi berikut dengan memutar tombol Autoselect™ (2) hingga pengaturan yang diperlukan dipilih.

Pengaturan	Pel	Genggam
	Kayu/Pelapis	Uap suhu tinggi untuk jendela ●
	Batu/Marmer	● ●
	Ubin/Vinil	Uap suhu rendah untuk kotoran yang sulit dibersihkan ● ● ●

Pel uap akan memilih volume uap yang tepat yang diperlukan untuk operasi pembersihan tertentu.

Catatan: Selalu periksa bahwa Anda menggunakan pengaturan yang tepat sebelum menggunakan pel uap Anda.

Memasang selang dan aksesoris ke pembersih uap genggam

Peringatan! Periksa segel antara titik sambungan pada pembersih uap genggam dan selang uap (12) sebelum masing-masing digunakan. Jika segel tidak berfungsi atau rusak, silakan hubungi agen perbaikan resmi terdekat. Jangan gunakan peralatan.

Memasang selang (Gbr. H)

- ◆ Tekan tombol pelepas selang uap (17) pada selang uap (12).
- ◆ Sambungkan selang uap (12) ke pembersih uap genggam dan lepaskan tombol pelepas selang uap (17) untuk memastikannya terkunci pada tempatnya.

Penting! Pastikan bahwa selang uap (12) tersambung dengan aman ke pembersih uap genggam. Jika uap keluar dari sambungan, maka selang terpasang dengan tidak benar. Matikan dan biarkan unit mendingin, lalu lepas dan pasang kembali selang.

Memasang aksesoris (Gbr. I)

- ◆ Selaraskan dudukan pada nosel uap (12) dengan ceruk pada aksesoris.
- ◆ Dorong aksesoris ke dalam nosel uap dan putar berlawanan arah jarum jam sampai aksesoris terkunci pada tempatnya.

Penting! Semua aksesoris harus terpasang pada selang uap (12) untuk digunakan.

Melepas selang dan aksesoris

Peringatan! Selang uap (12), Nosel uap, dan aksesoris menjadi panas saat digunakan. Biarkan unit dan semua aksesoris dingin sebelum mencoba melepas.

Melepas aksesoris

- ◆ Putar aksesoris searah jarum jam, lalu tarik jauh dari selang (12).

Melepas selang

- ◆ Tekan tombol pelepas selang uap (17) pada selang uap (12) dan tarik jauh dari unit uap genggam.

Petunjuk untuk penggunaan secara optimal

Umum

Perhatian! Jangan gunakan pel uap tanpa memasang bantalan pembersih terlebih dahulu.

- ◆ Selalu gunakan penyedot debu atau sapu lantai sebelum menggunakan pel uap.
- ◆ Cara termudah untuk menggunakan peralatan ini adalah memiringkan unit ke sudut 45° dan bersihkan secara perlahan, mencakup area kecil sekaligus.
- ◆ Hanya gunakan air, tanpa aditif atau bahan kimia dengan pel uap Anda. Untuk membersihkan noda yang sulit dibersihkan dari lantai vinil atau linolium, Anda dapat memberikan deterjen lembut terlebih dahulu dan sedikit air sebelum menggunakan pel uap.

Pembersihan uap dengan pel

- ◆ Pasang pembersih uap genggam ke ekstensi lantai (8).
- ◆ Letakkan bantalan pembersih (10) di lantai dengan sisi 'tali' velcro menghadap ke atas.
- ◆ Injak pel uap pada bantalan pembersih secara perlahan (10). Sambungkan pel uap ke alat listrik induk.
- ◆ Tekan tombol ON/OFF (1). Memerlukan waktu sekitar 15 detik agar pel uap memanans.
- ◆ Putar tombol Autoselect™ (2) hingga pengaturan yang diperlukan dicapai. Setelah beberapa detik, uap akan mulai keluar dari kepala uap.

Catatan! Saat pertama kali diisi atau setelah mengering, memerlukan waktu hingga 45 detik agar mengeluarkan uap.

- ◆ Memerlukan waktu beberapa detik agar uap masuk ke bantalan pembersih. Pel uap sekarang akan meluncur dengan mudah melalui permukaan yang akan dibersihkan.
- ◆ Dorong dan tarik pel uap secara perlahan pada permukaan untuk membersihkan setiap bagian dengan uap secara menyeluruh.
- ◆ Jika sudah selesai menggunakan pel uap, kembalikan gagang (8) ke posisi tegak, guna memastikan bahwa gagang tertopang, kemudian 'MATIKAN'. Tunggu sampai pel uap mendingin (sekitar lima menit).

Perhatian! Penting untuk memantau tingkat air di dalam tangki air. Untuk mengisi ulang tangki air dan lanjut membersihkan, tahan pel pada posisi tegak guna memastikan bahwa pel tertopang, kemudian 'MATIKAN' pel uap. Cabut unit dari stopkontak dan isi ulang tangki air.

Perhatian! Jangan pernah meninggalkan pel uap di satu titik pada permukaan apa pun selama beberapa waktu. Selalu letakkan pel uap dengan tertopang dalam posisi ke atas jika stasioner dan pastikan pel uap dimatikan jika tidak digunakan.

Setelah digunakan

- ◆ Putar tombol Autoselect™ (2) ke posisi OFF.
- ◆ Tunggu sampai pel uap mendingin.
- ◆ Cabut pel uap dari stopkontak.
- ◆ Kosongkan tangki air.
- ◆ Lepas bantalan pembersih (10) dan cuci bersih agar siap digunakan pada penggunaan berikutnya (ikuti petunjuk pencucian yang tercetak pada bantalan pembersih dengan saksama).

Aksesori

Kinerja dari peralatan Anda tergantung pada aksesori yang digunakan. Aksesori BLACK+DECKER dibuat dengan standar kualitas yang tinggi dan dirancang untuk meningkatkan kinerja peralatan Anda. Dengan menggunakan aksesori tersebut, Anda akan memaksimalkan penggunaan peralatan Anda.

Pembersihan uap genggam

Peringatan! Hanya gunakan dalam posisi horizontal.

- ◆ Pasang aksesori yang diperlukan.
- ◆ Sambungkan pembersih uap genggam ke alat listrik induk.
- ◆ Tekan tombol ON/OFF (1). Memerlukan waktu sekitar 15 detik agar pel uap memanans.
- ◆ Putar tombol Autoselect™ (2) hingga pengaturan yang diperlukan dicapai. Setelah beberapa detik, uap akan mulai keluar dari kepala uap.

Catatan! Saat pertama kali diisi atau setelah mengering, memerlukan waktu hingga 45 detik agar mengeluarkan uap.

- ◆ Jika sudah selesai menggunakan pembersih uap genggam, putar tombol Autoselect™ (2) ke posisi OFF. MATIKAN unit dengan menekan tombol ON/OFF (1) dan lepaskan dari sumber listrik. Tunggu sampai unit dingin sebelum menyimpan (sekitar lima menit).

Pemecahan masalah

Jika peralatan Anda tampak tidak beroperasi dengan semestinya, ikutilah petunjuk-petunjuk di bawah ini. Jika cara tersebut tidak mengatasi masalah, hubungi agen perbaikan BLACK+DECKER setempat Anda.

Masalah	Langkah	Penyelesaian yang mungkin
Pel uap tidak menyala	1.	Pastikan unit dicolokkan pada stopkontak dinding.
	2.	Pastikan unit diaktifkan menggunakan sakelar ON/OFF (1)
	3.	Periksa sekering pada steker.
Pel uap tidak mengeluarkan uap	4.	Pel uap hanya akan mengeluarkan uap jika selang uap terpasang dengan benar atau Autoselect™ DINYALAKAN.
	5.	Pastikan tangki air penuh. Catatan: Saat pertama kali diisi atau setelah mengering, memerlukan waktu hingga 45 detik agar mengeluarkan uap.
	6.	Periksa langkah 1, lalu 2, lalu 3
Pel uap berhenti mengeluarkan uap selama penggunaan	7.	Periksa langkah 4, lalu 5, lalu 3
Pel uap mengeluarkan terlalu banyak uap selama penggunaan	8.	Putar tombol Autoselect™ (2) berlawanan arah jarum jam untuk mengurangi jumlah uap yang dikeluarkan
Pel uap mengeluarkan terlalu sedikit uap selama penggunaan	9.	Putar tombol Autoselect™ (2) searah jarum jam untuk menambah jumlah uap yang dikeluarkan
Di manakah saya bisa mendapatkan informasi lebih lanjut/aksesori	10	www.blackanddecker.co.uk/steammop www.blackanddecker.ie/steammop

Informasi Servis

Black & Decker menawarkan jaringan lengkap milik perusahaan dan lokasi servis resmi di seluruh Asia. Semua Pusat Servis Black & Decker memiliki staf terlatih agar dapat memberikan layanan produk yang efisien dan andal kepada konsumen.

Bila Anda membutuhkan saran teknis, perbaikan, atau suku cadang pengganti asli pabrik, hubungi lokasi Black & Decker terdekat.

CATATAN

- ◆ Black & Decker memiliki kebijakan untuk terus meningkatkan produk dan karenanya, kami berhak mengubah spesifikasi produk tanpa pemberitahuan sebelumnya.
- ◆ Perlengkapan dan aksesori standar mungkin akan berbeda menurut negara.
- ◆ Spesifikasi produk dapat berbeda menurut negara.
- ◆ Pilihan produk lengkap mungkin tidak tersedia di semua negara. Untuk mengetahui ketersediaan produk, hubungi dealer Black & Decker setempat Anda.

FSMH1300FX

เครื่องดูดฝุ่นระบบไอน้ำ

ข้อมูลด้านเทคนิค

FSMH1300FX		
แรงดันไฟฟ้า	V _{ac}	220-240
กำลังไฟ	วัตต์	1300
ความจุกระบอกบรรจุ	มล.	500
น้ำหนัก	กก.	2.4

วัตถุประสงค์ในการใช้งาน

เครื่องดูดฝุ่นระบบไอน้ำ BLACK+DECKER™ รุ่น FSMH1300FX ได้รับการออกแบบมาเพื่อใช้ฆ่าเชื้อโรคและทำความสะอาดไม้เนื้อแข็งเคลือบผิว ลามิเนตเคลือบผิว เสื่อน้ำมัน ไม้ขัด กระจกเงาเซรามิก พื้นหินและหินอ่อน เครื่องมือนี้ มีวัตถุประสงค์เพื่อการใช้งานภายในอาคารเท่านั้น

ข้อปฏิบัติเพื่อความปลอดภัย



คำเตือน! อ่านคู่มือด้าน 'ความปลอดภัย การบำรุงรักษา และการบริการ' ทั้งหมดให้ละเอียดก่อนใช้งานเครื่องมือนี้ อ่านคู่มือเล่มนี้ทั้งหมดอย่างละเอียดก่อนใช้งานเครื่องมือนี้

ป้ายสัญลักษณ์บนเครื่องมือ

รูปภาพและรหัสวันที่ต่อไปนี้จะปรากฏบนเครื่องมือ



ข้อควรระวัง ไอน้ำร้อน



อย่าปล่อยให้ผู้เยาว์ใช้งานเครื่องมือโดยขาดการควบคุมดูแล



ทำความสะอาดด้วยมือเท่านั้น

ส่วนประกอบสำคัญ

เครื่องมือนี้มีส่วนประกอบบางอย่างหรือทั้งหมดต่อไปนี้

1. สวิตช์เปิด/ปิด
2. ปุ่มหมุน Autoselect™
3. ด้ามจับเครื่องทำความสะอาดระบบไอน้ำ
4. ฝาช่องเติมน้ำ
5. กระบอกน้ำ
6. หัวต่อตัวเครื่อง
7. ปุ่มปลดล๊อคด้ามต่อลูกฟุ้ง
8. ด้ามต่อลูกฟุ้ง
9. หัวทำความสะอาดพื้น
10. แผ่นทำความสะอาด
11. แถบถอดแผ่นทำความสะอาด
12. ท่ออ่อนเสริม
13. หัวแปรงเสริมสำหรับทำความสะอาดตามซอกมุม (ใช้สำหรับกำจัดคราบสกปรกที่หลุดออกยาก)

14. หัวแปรงเสริม (ใช้บนกระเบื้อง / แนวปูน)
15. หัวกวาดน้ำเสริม (ใช้กับบานกระจกในห้องน้ำ / แผ่นแก้ว / กระจก / เลื่อผ้า / เบาะที่นั่ง)
16. ฝาครอบหัวกวาดน้ำ

การประกอบ



คำเตือน! ก่อนจะทำตามคำแนะนำใด ๆ ต่อไปนี้ โปรดตรวจสอบว่าได้อ่านคู่มือและถอดปลั๊กเครื่องมือนี้ออกก่อน รวมทั้งปล่อยให้เครื่องเย็นลงและไม่มีน้ำอยู่ภายในเครื่อง

การต่อด้ามต่อลูกฟุ้งเข้ากับหัวทำความสะอาดพื้น (รูป A)

- ♦ ด้ามด้ามต่อลูกฟุ้ง (8) ให้เข้ากับหัวทำความสะอาดพื้น (9) ให้แน่นจนกระทั่งได้ยินเสียงคลิกเข้าที่

การต่อตัวเครื่องทำความสะอาดระบบไอน้ำแบบมีด้ามจับเข้ากับด้ามต่อลูกฟุ้ง (รูป B)

- ♦ ด้ามตัวเครื่องทำความสะอาดระบบไอน้ำแบบมีด้ามจับบนด้ามต่อลูกฟุ้ง (8) จนกระทั่งอยู่ในตำแหน่งที่ถูกต้องบนหัวต่อตัวเครื่อง (6) และมีเสียงคลิกเข้าที่

คำเตือน! ตรวจสอบซีลระหว่างข้อต่อบนเครื่องทำความสะอาดระบบไอน้ำแบบมีด้ามจับกับด้ามต่อลูกฟุ้ง (8) ก่อนการใช้งานในแต่ละครั้ง หากซีลทำงานผิดปกติหรือชำรุด โปรดติดต่อศูนย์บริการที่ได้รับอนุญาตใกล้บ้านคุณ ห้ามใช้เครื่องมือนี้

การถอดเครื่องทำความสะอาดระบบไอน้ำแบบมีด้ามจับ

- ♦ กดปุ่มปลดล๊อค (7) บนด้ามต่อลูกฟุ้ง (8) แล้วยกเครื่องทำความสะอาดระบบไอน้ำแบบมีด้ามจับออกจากหัวต่อตัวเครื่อง (6)

การใส่แผ่นทำความสะอาด (รูป C)

แผ่นทำความสะอาดสำหรับเปลี่ยนสามารถหาซื้อได้จากตัวแทนจำหน่าย Black + Decker (หมายเลขแค็ตตาล็อก FSMP20-XJ)

- ♦ วางแผ่นทำความสะอาด (10) ลงบนพื้นโดยให้ด้าน 'ห้วยยึด' ของแถบหนามเคยหงายขึ้นด้านบน
- ♦ ค่อย ๆ กดเครื่องดูดฝุ่นลงบนแผ่นทำความสะอาด (10)

ข้อควรระวัง! อย่าปล่อยให้เครื่องทำงานอยู่บนพื้นผิวในจุดใดจุดหนึ่งเป็นเวลานาน วางเครื่องดูดฝุ่นระบบไอน้ำให้ตั้งตรงเมื่ออยู่กับที่ทุกครั้ง และตรวจสอบให้แน่ใจว่าได้ปิดสวิตช์เครื่องดูดฝุ่นระบบไอน้ำ เมื่อไม่ได้ใช้งาน

การถอดแผ่นทำความสะอาด

ข้อควรระวัง! สวมรองเท้าที่เหมาะสมทุกครั้ง เมื่อเปลี่ยนแผ่นทำความสะอาดให้เครื่องดูดฝุ่นระบบไอน้ำ

ห้ามสวมรองเท้าแตะหรือรองเท้าเปิดหัว

- ♦ โยกเครื่องดูดฝุ่นระบบไอน้ำให้อยู่ในตำแหน่งตั้งตรง แล้วปรับสวิตช์เครื่องดูดฝุ่นระบบไอน้ำไปที่ตำแหน่ง 'ยึด'
- ♦ รอกจนกระทั่งเครื่องดูดฝุ่นระบบไอน้ำเย็นลง (ประมาณ 5 นาที)
- ♦ ยกเครื่องดูดฝุ่นระบบไอน้ำออกจากแผ่นทำความสะอาด ดึงเครื่องออกจากแถบหนามเคยที่ยึดติดไว้โดยฉีกมันที่แถบถอดแผ่นทำความสะอาด (11)

ภาษาไทย

ข้อควรระวัง! อย่าปล่อยให้เครื่องทำงานอยู่บนพื้นผิวในจุดใดจุดหนึ่งเป็นเวลานาน
วางเครื่องถูพื้นระบบไอน้ำให้ตั้งตรงเมื่ออยู่กับที่ทุกครั้ง และตรวจสอบให้แน่ใจว่าได้ปิดสวิชต์เครื่องถูพื้นระบบไอน้ำ เมื่อไม่ได้ใช้งาน

การเติมน้ำลงในกระบอกน้ำ (รูป D)

หมายเหตุ! ใช้น้ำประปาที่สะอาดเติมลงในกระบอกน้ำ (ห้ามใช้สารเคมีแต่งหรือสารเคมีใด ๆ)

หมายเหตุ! ในพื้นที่ซึ่งน้ำมีความกระด้าง ควรใช้น้ำปราศจากไอออน

- ♦ เปิดฝาช่องเติมน้ำ (4) โดยยกฝาขึ้น
- ♦ ใช้น้ำประปาที่สะอาดเติมลงในกระบอกน้ำ (ห้ามใช้สารเคมีแต่งหรือสารเคมีใด ๆ)

คำเตือน! ในขณะที่เติมน้ำ ให้เครื่องอยู่ตำแหน่งแนวนอน

คำเตือน! กระบอกน้ำมีความสูง 0.5 ลิตร ห้ามเติมน้ำจนล้นกระบอก

- ♦ ปิดฝาช่องเติมน้ำ (4)

หมายเหตุ! ตรวจสอบให้แน่ใจว่าฝาช่องเติมน้ำปิดแน่นสนิท

การใช้งาน

ข้อสำคัญ! เครื่องมีมือที่สามารถกำจัดแบคทีเรียและเชื้อโรคต่าง ๆ ได้ 99.9% หากใช้งานตามคำแนะนำในคู่มือนี้ และใช้ร่วมกับแผ่นไมโครไฟเบอร์รวมทั้งใช้งานอย่างต่อเนื่องตลอด 90 วันซ้ำ

การเปิดและปิดสวิชต์ (รูป F)

- ♦ หากต้องการเปิดเครื่อง ให้กดสวิชต์เปิด/ปิด (1) ใช้เวลาประมาณ 15 วินาทีเพื่ออุ่นเครื่อง
- ♦ หากต้องการปิดเครื่อง ให้กดสวิชต์เปิด/ปิด (1)




ข้อควรระวัง! อย่าปล่อยให้เครื่องทำงานอยู่บนพื้นผิวในจุดใดจุดหนึ่งเป็นเวลานาน

วางเครื่องถูพื้นระบบไอน้ำให้ตั้งตรงเมื่ออยู่กับที่ทุกครั้ง และตรวจสอบให้แน่ใจว่าได้ปิดสวิชต์เครื่องถูพื้นระบบไอน้ำ เมื่อไม่ได้ใช้งาน

ข้อควรระวัง! เทน้ำออกจากเครื่องให้หมดหลังจากการใช้งานเสมอ
หมายเหตุ! เมื่อเติมน้ำครั้งแรกหรือหลังจากน้ำแห้ง เครื่องจะใช้เวลาในการสร้างไอน้ำไม่เกิน 45 วินาที

เทคโนโลยี Autoselect™ (รูป E)

เครื่องถูพื้นระบบไอน้ำนี้ติดตั้งปุ่มปรับ Autoselect™ (2) ซึ่งจะแสดงรูปแบบการใช้งานในการทำความสะอาดบนพื้นผิวต่าง ๆ ปุ่มปรับนี้ใช้เลือกโหมดการทำงานที่เหมาะสมตามรูปแบบการทำงานทำความสะอาดแต่ละประเภท การใช้งาน Autoselect™ ให้เลือกรูปแบบการใช้งานรูปแบบใดรูปแบบหนึ่งต่อไปนี้ โดยกดปุ่มปรับหมุน Autoselect™ (2) จนกระทั่งได้รูปแบบการใช้งานตามที่ต้องการ

การตั้งค่า	บริเวณที่ทำความสะอาด	เครื่องแบบมีด้ามจับ
	ไม้/แผ่นลามิเนต	ไอน้ำอุณหภูมิสูงสำหรับหน้าต่าง ●
	หิน/หินอ่อน	● ●
	กระเบื้อง/ไวบิล	ไอน้ำอุณหภูมิต่ำสำหรับคราบสิ่งสกปรกที่หลุดออกยาก ● ● ●

เครื่องถูพื้นจะเลือกปริมาณไอน้ำที่เหมาะสมสำหรับใช้กับรูปแบบการทำงานทำความสะอาดแต่ละประเภท

หมายเหตุ: ตรวจสอบว่าคุณได้ใช้การตั้งค่าที่ถูกต้องทุกครั้ง ก่อนใช้งานเครื่องถูพื้นระบบไอน้ำ

การประกอบท่ออ่อนและอุปกรณ์เสริมเข้ากับเครื่องทำความสะอาดระบบไอน้ำแบบมีด้ามจับ

คำเตือน! ตรวจสอบซิลระหว่างข้อต่อบนเครื่องทำความสะอาดระบบไอน้ำแบบมีด้ามจับกับท่ออ่อนไอน้ำ (12) ก่อนการใช้งานในแต่ละครั้ง หากซิลทำงานผิดปกติหรือชำรุด โปรดติดต่อศูนย์บริการที่ได้รับอนุญาตใกล้บ้านคุณ ห้ามใช้เครื่องมือนี้

การต่อท่ออ่อน (รูป H)

- ♦ กดปุ่มปลดล็อคท่ออ่อนไอน้ำ (17) บนท่ออ่อนไอน้ำ (12)
- ♦ ต่อท่ออ่อนไอน้ำ (12) เข้ากับเครื่องทำความสะอาดระบบไอน้ำแบบมีด้ามจับ แล้วปล่อยให้ปุ่มปลดล็อคท่ออ่อนไอน้ำ (17) จนกระทั่งได้ยินเสียงคลิกเข้าที่

ข้อสำคัญ! ตรวจสอบให้แน่ใจว่าท่ออ่อนไอน้ำ (12) ต่อเข้ากับเครื่องทำความสะอาดระบบไอน้ำแบบมีด้ามจับอย่างแน่นสนิท หากมีไอน้ำออกจากข้อต่อ แสดงว่ายังติดตั้งท่ออ่อนไม่ถูกต้อง ให้ปิดเครื่อง แล้วปล่อยให้เครื่องเย็นลง จากนั้นถอดหรือติดตั้งท่ออ่อนใหม่

การติดตั้งอุปกรณ์เสริม (รูป I)

- ♦ วางแนวสลักล็อคบนหัวพันไอน้ำ (12) ให้ตรงกับร่องของอุปกรณ์เสริม
- ♦ ดันอุปกรณ์เสริมเข้ากับหัวพันไอน้ำและบิดในทิศทางทวนเข็มนาฬิกาจนกระทั่งอุปกรณ์เสริมคลิกเข้าที่

ข้อสำคัญ! อุปกรณ์เสริมทั้งหมดจะต้องเข้ากับท่ออ่อนไอน้ำ (12) เพื่อการใช้งาน

การถอดท่ออ่อนและอุปกรณ์เสริม

คำเตือน! ท่ออ่อนไอน้ำ (12) หัวพันไอน้ำและอุปกรณ์เสริมต่าง ๆ จะมีความร้อนในระหว่างการใช้งาน ปล่อยให้เครื่องและอุปกรณ์เสริมทั้งหมดเย็นลงก่อนถอดอุปกรณ์ออก

การถอดอุปกรณ์เสริม

- ♦ บิดอุปกรณ์เสริมตามเข็มนาฬิกา แล้วดึงออกจากท่ออ่อน (12)

การถอดท่ออ่อน

- ♦ กดปุ่มปลดล็อคท่ออ่อนไอน้ำ (17) บนท่ออ่อนไอน้ำ (12) แล้วดึงออกจากเครื่องทำความสะอาดระบบไอน้ำแบบมีด้ามจับ

คำแนะนำเพื่อการใช้งานอย่างเหมาะสม

ทั่วไป

ข้อควรระวัง: ห้ามใช้เครื่องถูพื้นระบบไอน้ำโดยไม่ได้ใส่แผ่นทำความสะอาดไว้ล่วงหน้า

- ♦ ดุดันหรือกดพื้นทุกครั้งก่อนใช้งานเครื่องถูพื้นระบบไอน้ำ
- ♦ วิธีทำงานที่ดีที่สุดในการใช้งานเครื่องถูพื้นคือให้โยกเครื่องให้เอียงท่ามุม 45° และค่อย ๆ ทำความสะอาด โดยให้ครอบคลุมพื้นที่เล็ก ๆ ในแต่ละครั้ง

- ◆ ใช้น้ำเท่านั้น ไม่ใส่สารเติมแต่งหรือสารเคมีใด ๆ ในเครื่องพ่นระบบไอน้ำ หากต้องการฉีดคราบสกปรกที่ออกจากรอยพื้นไวนิลหรือเสื่อน้ำมัน คุณสามารถใช้ผงซักฟอกอ่อน ๆ ผสมกับน้ำบางส่วน ทำความสะอาดพื้นไว้ล่วงหน้าก่อนใช้เครื่องพ่นระบบไอน้ำ

การทำความสะอาดด้วยเครื่องพ่นระบบไอน้ำ

- ◆ ต่อเครื่องทำความสะอาดระบบไอน้ำแบบมีด้ามจับเข้ากับตามต่อลูพื้น (8)
- ◆ วางแผนทำความสะอาด (10) ลงบนพื้นโดยให้ด้าน 'ห้วงยึด' ของแถบหนังแดงหงายขึ้นด้านบน
- ◆ ค่อย ๆ กดเครื่องพ่นลงบนแผ่นทำความสะอาด (10)
- ◆ ต่อเครื่องพ่นระบบไอน้ำเข้ากับแหล่งจ่ายไฟหลัก
- ◆ กดปุ่มเปิด/ปิด (1) ใช้เวลาประมาณ 15 วินาทีเพื่ออุ่นเครื่อง
- ◆ ปรับปุ่มหมุน Autoselect™ (2) จนได้รูปแบบการใช้งานที่ต้องการเพียงไม่กี่วินาที จะเริ่มมีไอน้ำพ่นออกมาจากหัวพ่นไอน้ำ

หมายเหตุ! เมื่อเติมน้ำครั้งแรกหรือหลังจากน้ำแห้ง เครื่องจะใช้เวลาในการสร้างไอน้ำไม่เกิน 45 วินาที

- ◆ ไอน้ำจะใช้เวลาผ่านเข้าสู่แผ่นทำความสะอาดเพียงไม่กี่วินาที ตอนนีเครื่องพ่นระบบไอน้ำจะเลื่อนไปบนพื้นผิวที่จะฆ่าเชื้อโรค/ทำความสะอาดได้อย่างสะดวก

- ◆ ค่อย ๆ ลากเครื่องพ่นระบบไอน้ำไปมาบนพื้น เพื่อให้ไอน้ำทำความสะอาดแต่ละบริเวณได้อย่างทั่วถึง
- ◆ เมื่อใช้งานเครื่องเสร็จเรียบร้อย ให้โยกตัวจับ (8) ให้ตั้งตรง ตรวจสอบให้แน่ใจว่ามีการรองรับเครื่องและได้กดสวิตช์ 'ปิด' แล้ว รอจนกระทั่งเครื่องพ่นระบบไอน้ำเย็นลง (ประมาณ 5 นาที)

ข้อควรระวัง! ต้องหมั่นตรวจสอบระดับน้ำในกระบอกน้ำย่อยเสมอ หากต้องการเติมน้ำในกระบอกน้ำแล้วฆ่าเชื้อโรค/ทำความสะอาดต่อ ให้ตั้งเครื่องพ่นให้ตรงและตรวจสอบให้แน่ใจว่ามีการรองรับเครื่องและ 'ปิด' เครื่องแล้ว ถอดปลั๊กออกจากเต้ารับที่ผนัง แล้วเติมน้ำในกระบอกน้ำ **ข้อควรระวัง!** อย่าปล่อยให้เครื่องทำงานอยู่บนพื้นผิวในจุดใดจุดหนึ่งเป็นเวลานาน วางเครื่องพ่นระบบไอน้ำให้ตั้งตรงเมื่ออยู่ยั้งกับที่ทุกครั้ง และตรวจสอบให้แน่ใจว่าได้ปิดสวิตช์เครื่องพ่นระบบไอน้ำ เมื่อไม่ได้ใช้งาน

หลังการใช้งาน

- ◆ ปรับปุ่มหมุน Autoselect™ (2) ไปที่ตำแหน่ง ปิด
- ◆ รอจนกระทั่งเครื่องพ่นระบบไอน้ำเย็นลง
- ◆ ถอดปลั๊กเครื่องพ่นระบบไอน้ำออกจากเต้ารับที่ผนัง
- ◆ เทน้ำออกจากกระบอกน้ำให้หมด
- ◆ ถอดแผ่นทำความสะอาด (10) ออก และซักทันที เพื่อให้พร้อมใช้งานในครั้งต่อไป (ปฏิบัติตามคำแนะนำในการซักและดูแลรักษาที่พิมพ์อยู่บนแผ่นทำความสะอาดด้วยความระมัดระวัง)

อุปกรณ์เสริม

สมรรถนะของเครื่องมือของคุณขึ้นอยู่กับอุปกรณ์เสริมที่ใช้ อุปกรณ์เสริมของ BLACK+DECKER ได้รับการออกแบบทางวิศวกรรมให้มีความตรงตามคุณภาพสูง และเพิ่มสมรรถนะของเครื่องมือของคุณ เมื่อใช้อุปกรณ์เสริมเหล่านี้ คุณจะสามารถใช้เครื่องมือของคุณได้อย่างมีประสิทธิภาพสูงสุด

การทำความสะอาดด้วยเครื่องระบบไอน้ำแบบมีด้ามจับ

คำเตือน! ใช้เครื่องในตำแหน่งนอนเท่านั้น

- ◆ ติดตั้งอุปกรณ์เสริมที่ต้องการ
 - ◆ ต่อเครื่องทำความสะอาดระบบไอน้ำแบบมีด้ามจับเข้ากับแหล่งจ่ายไฟหลัก
 - ◆ กดปุ่มเปิด/ปิด (1) ใช้เวลาประมาณ 15 วินาทีเพื่ออุ่นเครื่อง
 - ◆ ปรับปุ่มหมุน Autoselect™ (2) จนได้รูปแบบการใช้งานที่ต้องการเพียงไม่กี่วินาที จะเริ่มมีไอน้ำพ่นออกมาจากหัวพ่นไอน้ำ
- หมายเหตุ!** เมื่อเติมน้ำครั้งแรกหรือหลังจากน้ำแห้ง เครื่องจะใช้เวลาในการสร้างไอน้ำไม่เกิน 45 วินาที
- ◆ เมื่อคุณใช้งานเครื่องทำความสะอาดระบบไอน้ำแบบมีด้ามจับเสร็จแล้ว ให้ปรับปุ่มหมุน Autoselect™ (2) ไปยังตำแหน่ง ปิด ปิดเครื่อง โดยกดปุ่มเปิด/ปิด (1) แล้วถอดปลั๊กออกจากแหล่งจ่ายไฟ รอจนกระทั่งเครื่องเย็นลง ก่อนการจัดเก็บเครื่อง (ประมาณ 5 นาที)

การแก้ปัญหา

ถ้าเครื่องของคุณมีอาการทำงานผิดปกติ ให้ทำตามคำแนะนำด้านล่าง ถ้าคำแนะนำนี้ไม่สามารถแก้ปัญหาได้ โปรดติดต่อตัวแทนซ่อมของ Black + Decker ใกล้บ้านคุณ

ปัญหา	ขั้นตอน	การแก้ไขที่เป็นไปได้
เปิดเครื่องไม่ไ้	1.	ตรวจสอบว่าเครื่องเสียบกับเต้ารับที่ผนังหรือไม่
	2.	ตรวจสอบว่าเครื่องเปิดสวิตช์ได้โดยปุ่มเปิด/ปิด (1) หรือไม่
	3.	ตรวจสอบฟิวส์ในปลั๊กไฟ
เครื่องไม่สร้างไอน้ำออกมา	4.	เครื่องพ่นระบบไอน้ำจะสร้างไอน้ำหากมีการติดตั้งท่อลมไอน้ำอย่างถูกต้อง หรือมีการเปิดใช้งาน Autoselect™ เท่านั้น
	5.	ตรวจสอบว่ากระบอกน้ำเต็มหรือไม่ หมายเหตุ: เมื่อเติมน้ำครั้งแรกหรือหลังจากน้ำแห้ง เครื่องจะใช้เวลาในการสร้างไอน้ำไม่เกิน 45 วินาที
	6.	ตรวจสอบตามขั้นตอนที่ 1, 2 และ 3 ตามลำดับ
เครื่องหยุดสร้างไอน้ำในระหว่างใช้งาน	7.	ตรวจสอบตามขั้นตอนที่ 4, 5 และ 3 ตามลำดับ
เครื่องสร้างไอน้ำมากเกินไปในระหว่างใช้งาน	8.	ปรับปุ่มหมุน Autoselect™ (2) ในทิศทางทางเข็มนาฬิกาเพื่อลดปริมาณการสร้างไอน้ำ
เครื่องหยุดสร้างไอน้ำจำนวนน้อยมากในระหว่างใช้งาน	9.	ปรับปุ่มหมุน Autoselect™ (2) ในทิศทางตามเข็มนาฬิกาเพื่อเพิ่มปริมาณการสร้างไอน้ำ
ฉันจะขอข้อมูลเพิ่มเติม/ชื่ออุปกรณ์เสริมได้ที่ใด	10.	www.blackanddecker.co.uk/steam mop www.blackanddecker.ie/steam mop

ข้อมูลการบริการ

Black & Decker ให้บริการเครือข่ายศูนย์บริการของบริษัทเองและศูนย์ฯ ที่ได้รับการรับรองเต็มรูปแบบทั่วทั้งทวีปเอเชีย ศูนย์บริการ Black & Decker ทุกแห่งมีพนักงานที่ผ่านการฝึกอบรมเพื่อให้บริการผลิตภัณฑ์ได้อย่างมีประสิทธิภาพและเชื่อถือได้

ไม่ว่าคุณต้องการคำแนะนำด้านเทคนิค การซ่อมแซม หรืออะไหล่แท้จากโรงงาน โปรดติดต่อศูนย์ Black & Decker ใกล้บ้าน

หมายเหตุ

- ◆ เนื่องจาก Black & Decker มีนโยบายพัฒนาปรับปรุงผลิตภัณฑ์อย่างต่อเนื่อง ดังนั้น เราจึงขอสงวนสิทธิ์ในการเปลี่ยนแปลงข้อมูลจำเพาะของผลิตภัณฑ์โดยไม่แจ้งให้ทราบล่วงหน้า
- ◆ อุปกรณ์มาตรฐานและอุปกรณ์เสริมอาจแตกต่างกันในแต่ละประเทศ
- ◆ ข้อมูลจำเพาะของผลิตภัณฑ์อาจแตกต่างกันในแต่ละประเทศ
- ◆ ตัวเลือกผลิตภัณฑ์อาจมีจำหน่ายไม่ครบทุกรายการในบางประเทศโปรดสอบถามรุ่นผลิตภัณฑ์ที่มีจำหน่ายจากตัวแทนจำหน่ายของ Black & Decker ในประเทศของคุณ

FSMH1300FX
CÂY LAU SÀN HƠI NƯỚC

Thông số kỹ thuật

FSMH1300FX		
Điện áp	V _{ac}	220-240
Công suất	W	1300
Dung tích bình nước	ml	500
Trọng lượng	kg	2,4

Mục đích sử dụng

Cây lau sàn hơi nước FSMH1300FX của BLACK+DECKER™ được thiết kế để vệ sinh và khử trùng sàn gỗ cứng kín, tấm kín, vải sơn, nhựa vinyl, gạch gốm, đá và đá cẩm thạch. Thiết bị này được thiết kế để sử dụng trong gia đình.

Hướng dẫn an toàn



Cảnh báo! Đọc kỹ toàn bộ tài liệu hướng dẫn về 'An toàn, Bảo trì và Bảo dưỡng' trước khi vận hành thiết bị này. Đọc kỹ toàn bộ tài liệu hướng dẫn này trước khi vận hành thiết bị.

Ký hiệu trên thiết bị

Trên thiết bị có các ký hiệu sau cùng với mã ngôn:



THẬN TRỌNG Hơi nước nóng



Không để trẻ một mình mà không giám sát



Rửa sạch tay

Tính năng

Thiết bị này gồm một số hoặc tất cả những tính năng sau.

1. Công tắc bật/tắt
2. Nút Autoselect™
3. Tay cầm thiết bị hơi nước cầm tay
4. Nắp miệng rót
5. Bình nước
6. Mặt phân cách
7. Nút tháo lắp ống nối dài sàn
8. Ống nối dài sàn
9. Đầu vệ sinh sàn
10. Tầm nỉ lau sàn
11. Vấu tháo tầm nỉ lau sàn
12. Ống mềm gắn phụ kiện
13. Phụ kiện chổi góc (để dùng trên các bề mặt khó loại bỏ vết gi)

14. Phụ kiện chổi (để dùng trên gạch / vữa)
15. Phụ kiện ống lăn (để dùng trên tấm che buồng tắm / kính / gương ng / quần áo / mặt ghế)
16. Tấm bọc ống lăn

Lắp ráp



Cảnh báo! Trước khi thực hiện bất kỳ hướng dẫn nào sau đây, phải đảm bảo rằng bạn đã tắt và rút phích cắm của thiết bị cũng như thiết bị đã nguội và không chứa nước.

Gắn ống nối dài sàn với đầu vệ sinh sàn

(Hình A)

- ♦ Đẩy ống nối dài sàn (8) chặt vào trong đầu vệ sinh sàn (9), đảm bảo bộ phận ăn khớp tại chỗ.

Gắn thiết bị hơi nước cầm tay với ống nối dài sàn (Hình B)

- ♦ Đẩy thiết bị hơi nước cầm tay chắc chắn trên ống nối dài sàn (8), đảm bảo bộ phận nằm chính xác trên mặt phân cách (6) và ăn khớp tại chỗ.

Cảnh báo! Kiểm tra vòng đệm giữa điểm nối trên cây lau sàn hơi nước cầm tay và ống nối dài sàn (8) trước mỗi lần sử dụng. Nếu vòng đệm bị trục trặc hoặc hỏng, hãy liên hệ với đại lý sửa chữa được ủy quyền gần nhất. Không sử dụng thiết bị.

Tháo thiết bị hơi nước cầm tay

- ♦ Đẩy nút nhà (7) trên ống nối dài sàn (8) và nâng thiết bị hơi nước cầm tay lên khỏi mặt phân cách (6).

Gắn tầm nỉ lau sàn (Hình C)

Tầm nỉ lau sàn thay thế có bán tại đại lý BLACK+DECKER (loại số FSMP20-XJ).

- ♦ Đặt tầm nỉ lau sàn (10) trên sàn với mặt 'móc' khóa quay lên trên.
- ♦ Nhẹ nhàng ấn cây lau sàn hơi nước xuống tầm nỉ lau sàn (10).

Thận trọng! Tuyệt đối không để lâu cây lau sàn hơi nước tại một điểm trên bất kỳ bề mặt nào. Luôn dựng thẳng cây lau sàn hơi nước khi không hoạt động và đảm bảo tắt cây lau sàn hơi nước khi không sử dụng.

Tháo tầm nỉ lau sàn

Thận trọng! Luôn đi giày phù hợp khi thay tầm nỉ lau sàn trên cây lau sàn hơi nước.

Không đi dép lê hay giày dép hở ngón chân.

- ♦ Dựng thẳng, rồi "ÁT" cây lau sàn hơi nước.
- ♦ Chờ cho tới khi cây lau sàn hơi nước nguội hẳn (khoảng 5 phút).

Tiếng Việt

- ◆ Nâng cây lau sàn hơi nước ra khỏi tấm nilon lau sàn để tháo ra khỏi khóa dán được siết chặt bằng chính trọng lượng đặt trên vầu tháo tấm nilon làm sạch (11).

Thận trọng! Tuyệt đối không để lau cây lau sàn hơi nước tại một điểm trên bất kỳ bề mặt nào.

Luôn dựng thẳng cây lau sàn hơi nước khi không hoạt động và đảm bảo tắt cây lau sàn hơi nước khi không sử dụng.

Nạp bình nước (Hình D)

Lưu ý! Nạp bình nước bằng nước máy sạch (Không sử dụng chất phụ gia hoặc hóa chất).

Lưu ý! Ở những khu vực nước cứng, bạn nên sử dụng nước đã khử ion.

- ◆ Lật nắp miệng rót (4) lên để mở.
- ◆ Nạp nước vào bình nước (Không sử dụng chất phụ gia hoặc hóa chất).

Cảnh báo! Khi nạp, đặt bình ở vị trí nằm ngang.

Cảnh báo! Bình nước của bạn có dung tích 0,5 lít. Không nạp đầy tràn bình.

- ◆ Đóng nắp miệng rót lại (4).

Lưu ý! Đảm bảo đóng chặt nắp miệng rót.

Cách sử dụng

Quan trọng! Thiết bị này sẽ diệt 99,9% vi khuẩn và vi trùng khi được sử dụng theo đúng hướng dẫn trong hướng dẫn sử dụng này cũng như khi lắp tấm micro fibre và chạy liên tục trong 90 giây.

Bật và tắt (Hình F)

- ◆ Để bật thiết bị, ấn công tắc BẬT/TẮT (1). Cây lau sàn hơi nước nóng lên trong khoảng 15 giây.
- ◆ Để tắt thiết bị, ấn công tắc BẬT/TẮT (1).

Thận trọng! Tuyệt đối không để lau cây lau sàn hơi nước tại một điểm trên bất kỳ bề mặt nào.

Luôn dựng thẳng cây lau sàn hơi nước khi không hoạt động và đảm bảo tắt cây lau sàn hơi nước khi không sử dụng.

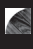


Thận trọng! Luôn đổ hết nước trong cây lau sàn hơi nước sau khi sử dụng.

Lưu ý! Khi nạp nước lần đầu tiên hoặc sau khi chạy tới khi hết nước, có thể mất tới đa 45 giây để sản sinh ra hơi nước.

Công nghệ Autoselect™ (Hình E)

Cây lau sàn hơi nước được trang bị nút chỉnh chức năng Autoselect™ (2) hiển thị các ứng dụng vệ sinh khác nhau. Chúng được sử dụng để chọn chế độ vận hành chính xác cho hoạt động vệ sinh cụ thể của bạn.

Sử dụng Autoselect™, chọn một trong những ứng dụng sau bằng cách xoay nút Autoselect™ (2) cho tới khi cài đặt cần thiết được c.ón:

Cài đặt	Cây lau sàn	Cắm tay
	Gỗ/ Laminate	Hơi nước ở nhiệt độ cao cho cửa sổ ●
	Đá/Đá cẩm thạch	● ●
	Gạch/Nhựa vinyl	Hơi nước ở nhiệt độ thấp cho bụi bẩn ● ● ●

Cây lau sàn hơi nước sẽ chọn lượng hơi nước chính xác cho hoạt động vệ sinh cụ thể của bạn.

Lưu ý: Luôn kiểm tra xem bạn có sử dụng đúng cài đặt không trước khi sử dụng cây lau sàn hơi nước.

Gắn ống mềm và phụ kiện vào cây lau sàn hơi nước cầm tay

Cảnh báo! Kiểm tra vòng đệm giữa điểm nối trên cây lau sàn hơi nước cầm tay và ống dẫn hơi nước (12) trước mỗi lần sử dụng. Nếu vòng đệm bị trục trặc hoặc hỏng, hãy liên hệ với đại lý sửa chữa được ủy quyền gần nhất. Không sử dụng thiết bị.

Gắn ống mềm (Hình H)

- ◆ Ấn nút nhà ống dẫn hơi nước (17) trên ống dẫn hơi nước (12).
- ◆ Nối ống dẫn hơi nước (12) với cây lau sàn hơi nước cầm tay và nhà nút nhà ống dẫn hơi nước (17), đảm bảo bộ phận ăn khớp tại chỗ.

Quan trọng! Đảm bảo rằng ống dẫn hơi nước (12) được nối chắc chắn với cây lau sàn hơi nước cầm tay. Nếu hơi nước thoát ra từ mỗi nối, ống mềm đã được gắn không đúng cách. Tắt và để thiết bị nguội hẳn, sau đó tháo và lắp lại ống mềm.

Lắp phụ kiện (Hình I)

- ◆ Đặt các vòng kẹp trên vòi phun hơi nước (12) khớp với các rãnh trên phụ kiện.
- ◆ Ấn phụ kiện lên vòi phun hơi nước và vặn ngược chiều kim đồng hồ cho đến khi phụ kiện ăn khớp tại chỗ.

Quan trọng! Phải gắn tất cả phụ kiện với ống dẫn hơi nước (12) để sử dụng.

Tháo ống mềm và phụ kiện

Cảnh báo! Ống dẫn hơi nước (12), Vòi phun hơi nước và phụ kiện rất nóng khi đang sử dụng. Hãy để thiết bị và tất cả phụ kiện nguội hẳn trước khi cố tháo chúng.

Tháo phụ kiện

- ◆ Vặn phụ kiện theo chiều kim đồng hồ, sau đó kéo khỏi ống mềm (12).

Tháo ống mềm

- ◆ Ấn nút nhà ống dẫn hơi nước (17) trên ống dẫn hơi nước (12) và kéo ra khỏi thiết bị hơi nước cầm tay.

Gợi ý để sử dụng tối ưu

Khái quát

Thận trọng: Tuyệt đối không sử dụng cây lau sàn hơi nước khi chưa gắn tấm nilau sàn.

- ◆ Luôn hút bụi hoặc quét sàn trước khi sử dụng cây lau sàn hơi nước.
- ◆ Cách sử dụng máy dễ dàng nhất là nghiêng thiết bị một góc 45° rồi từ từ tiến hành vệ sinh, vệ sinh từng khu vực nhỏ mỗi lần.
- ◆ Chỉ sử dụng nước không có chứa chất phụ gia hoặc hóa chất cho cây lau sàn hơi nước. Để loại bỏ những vết bẩn cứng đầu khỏi sàn nhà bằng nhựa vinyl hoặc sàn vải sơn, bạn có thể xử lý trước bằng chất tẩy nhẹ và một ít nước trước khi sử dụng cây lau sàn hơi nước.

Vệ sinh bằng hơi nước với cây lau sàn

- ◆ Gắn cây lau sàn hơi nước cầm tay với ống nối sàn (8).
- ◆ Đặt tấm nilau sàn (10) trên sàn với mặt "móc" khóa quay lên trên.
- ◆ Nhẹ nhàng ấn cây lau sàn hơi nước xuống tấm nilau sàn (10).
- ◆ Kết nối cây lau sàn hơi nước với nguồn điện.
- ◆ Ấn nút BẬT/TẮT (1). Cây lau sàn hơi nước nóng lên trong khoảng 15 giây.
- ◆ Xoay núm Autoselect™ (2) cho tới khi chọn được cài đặt cần thiết. Sau vài giây, hơi nước sẽ bắt đầu tỏa ra từ đầu phun hơi nước.

Lưu ý! Khi nạp nước lần đầu tiên hoặc sau khi chạy tới khi hết nước, có thể mất tối đa 45 giây để sản sinh ra hơi nước.

- ◆ Mất vài giây để hơi nước đi vào tấm nilau sàn. Lúc này cây lau sàn hơi nước sẽ trượt dễ dàng trên bề mặt cần khử trùng/vệ sinh.
- ◆ Từ từ đẩy và kéo cây lau sàn hơi nước qua bề mặt sàn để vệ sinh thật kỹ từng phần bằng hơi nước.
- ◆ Sau khi bạn sử dụng xong cây lau sàn hơi nước, hãy dựng thẳng tay cầm (8), đảm bảo "TẮT" và tựa cây lau sàn này vào một điểm tựa chắc chắn. Chờ cho tới khi cây lau sàn hơi nước nguội hẳn (khoảng năm phút).

Thận trọng! Cần phải theo dõi mức nước trong bình nước. Để nạp lại bình nước và tiếp tục khử trùng/vệ sinh, hãy dựng thẳng cây lau sàn, đảm bảo "TẮT" và tựa cây lau sàn này vào điểm tựa chắc chắn. Rút phích cắm thiết bị ra khỏi ổ cắm điện trên tường và nạp lại bình nước.

Thận trọng! Tuyệt đối không để lau cây lau sàn hơi nước tại một điểm trên bất kỳ bề mặt nào. Luôn dựng thẳng cây lau sàn hơi nước khi không hoạt động và đảm bảo tắt cây lau sàn hơi nước khi không sử dụng.

Sau khi sử dụng

- ◆ Xoay núm Autoselect™ (2) đến vị trí TẮT.
- ◆ Chờ cho đến khi cây lau sàn hơi nước nguội hẳn.
- ◆ Rút phích cắm cây lau sàn hơi nước ra khỏi ổ cắm điện trên tường.
- ◆ Đổ hết bình nước.
- ◆ Tháo tấm nilau sạch (10) và giặt để sử dụng lần sau (chú ý làm theo hướng dẫn giặt để bảo quản được in trên tấm nilau sàn).

Phụ kiện

Hiệu suất làm việc của thiết bị tùy thuộc vào phụ kiện được sử dụng. Phụ kiện của BLACK+DECKER được chế tạo theo tiêu chuẩn chất lượng cao và được thiết kế nhằm tăng cường hiệu suất làm việc cho thiết bị của bạn. Thiết bị của bạn sẽ phát huy tối đa hiệu quả làm việc khi sử dụng các phụ kiện này.

Vệ sinh bằng cây lau sàn hơi nước cầm tay

Cảnh báo! Chỉ sử dụng ở vị trí nằm ngang.

- ◆ Gắn phụ kiện cần thiết.
- ◆ Kết nối cây lau sàn hơi nước cầm tay với nguồn điện.
- ◆ Ấn nút BẬT/TẮT (1). Cây lau sàn hơi nước nóng lên trong khoảng 15 giây.
- ◆ Xoay núm Autoselect™ (2) cho tới khi chọn được cài đặt cần thiết. Sau vài giây, hơi nước sẽ bắt đầu tỏa ra từ đầu phun hơi nước.

Lưu ý! Khi nạp nước lần đầu tiên hoặc sau khi chạy tới khi hết nước, có thể mất tối đa 45 giây để sản sinh ra hơi nước.

- ◆ Khi bạn đã sử dụng xong cây lau sàn hơi nước cầm tay, xoay núm Autoselect™ (2) đến vị trí TẮT. TẮT thiết bị bằng cách ấn nút BẬT/TẮT (1) và ngắt kết nối với nguồn điện. Chờ cho tới khi thiết bị nguội hẳn trước khi cất đi (khoảng năm phút)

Khắc phục sự cố

Nếu thiết bị có vẻ vận hành không đúng cách, hãy làm theo hướng dẫn bên dưới. Nếu sự cố này vẫn tiếp diễn, hãy liên hệ với đại lý sửa chữa BLACK+DECKER gần nhất.

Sự cố	Bước	Giải pháp có thể
Bạn chưa bật cầu lau sàn hơi nước	1.	Kiểm tra xem bạn đã cắm phích cắm của thiết bị vào ổ cắm trên tường hay chưa.
	2.	Kiểm tra xem bạn đã bật thiết bị hay chưa bằng cách sử dụng công tắc BẬT/TẮT (1)
	3.	Kiểm tra cầu chì trong phích cắm.

Sự cố	Bước	Giải pháp có thể
Cây lau sàn hơi nước không tạo ra hơi nước	4.	Cây lau nhà hơi nước chỉ tạo ra hơi nước khi ống dẫn hơi nước được lắp đúng cách, hoặc đã BẬT Autoselect™.
	5.	Kiểm tra để đảm bảo bình nước đầy. Lưu ý: Khi nạp nước lần đầu tiên hoặc sau khi chạy tới khi hết nước, có thể mất tối đa 45 giây để sản sinh ra hơi nước.
	6.	Kiểm tra lần lượt bước 1, 2 và 3
Cây lau sàn hơi nước ngừng tạo hơi nước khi đang sử dụng	7.	Kiểm tra lần lượt bước 4, 5, rồi đến 3
Cây lau sàn hơi nước tạo ra quá nhiều hơi nước khi đang sử dụng	8.	Xoay núm Autoselect™ (2) ngược chiều kim đồng hồ để giảm lượng hơi nước tạo ra
Cây lau sàn hơi nước tạo ra quá ít hơi nước trong khi sử dụng	9.	Xoay núm Autoselect™ (2) theo chiều kim đồng hồ để tăng lượng hơi nước tạo ra
Tôi có thể tìm thấy thêm thông tin/phụ kiện ở đâu	10.	www.blackanddecker.co.uk/steammop www.blackanddecker.ie/steammop

Thông tin dịch vụ

Black & Decker có sẵn một mạng lưới các trung tâm trực thuộc và ủy quyền trên toàn Châu Á. Tất cả các trung tâm dịch vụ của Black & Decker đều có đội ngũ nhân viên lành nghề nhằm cung cấp cho khách hàng dịch vụ về sản phẩm hiệu quả và tin cậy.

Khi bạn cần tư vấn kỹ thuật, sửa chữa hoặc phụ tùng thay thế chính hãng, vui lòng liên hệ với cơ sở Black & Decker gần nhất.

LƯU Ý

- ◆ Chính sách của Black & Decker là không ngừng cải tiến sản phẩm và do đó, chúng tôi có quyền thay đổi thông số kỹ thuật sản phẩm mà không cần báo trước.
- ◆ Các thiết bị và phụ kiện chuẩn có thể khác nhau tùy theo từng quốc gia.
- ◆ Thông số kỹ thuật của sản phẩm có thể khác nhau tùy theo từng quốc gia.
- ◆ Danh mục sản phẩm hoàn chỉnh có thể không có tại tất cả các quốc gia. Liên hệ với các đại lý của Black & Decker tại quốc gia bạn để được cung cấp danh mục sản phẩm.

