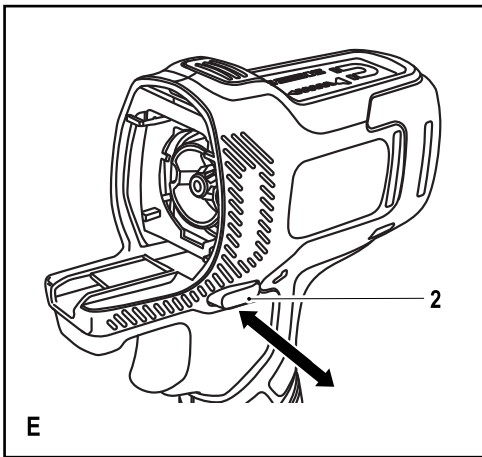
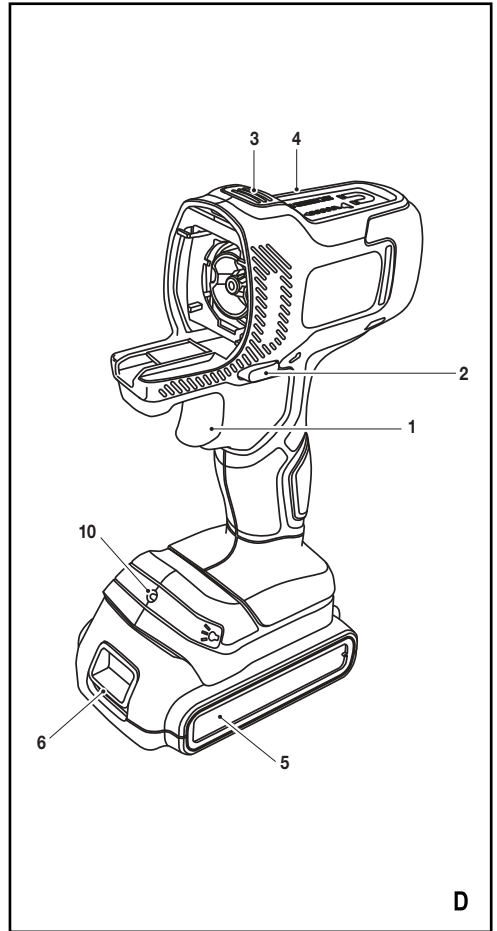
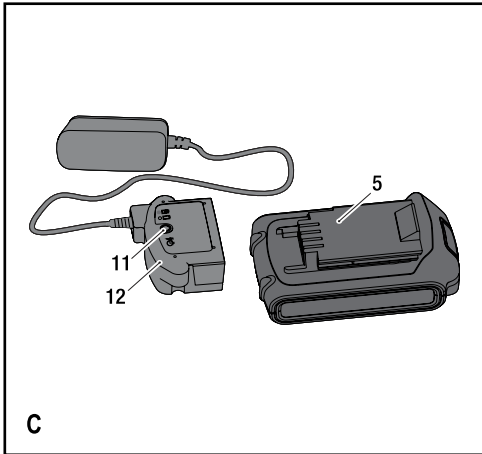
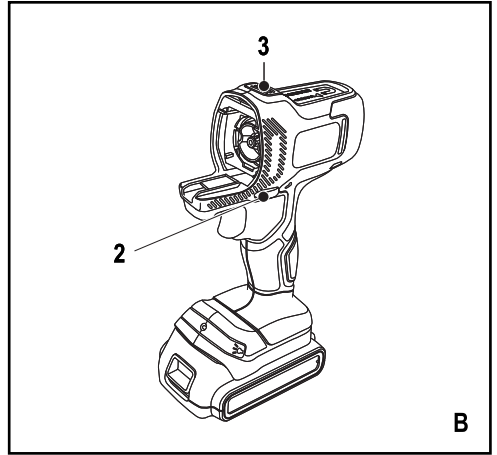
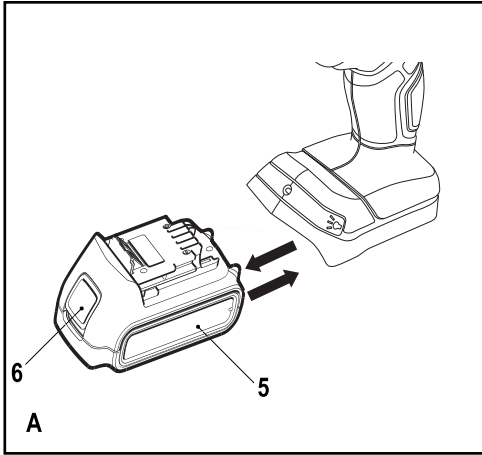


**EVO185**

English	3
한국어	8



## EVO185 MULTI TOOL

### Technical data

Multi Tool		EVO185
Voltage	V	18V(20V Max)
Weight	kg	0.54(No battery weight)

Charger		BDC2A
Input Voltage	V	100-240
Output Voltage	V	8-20
Current		400mA 2A
Approx. charge time		4Hours 0.75-1Hours

Battery		BL1518	BL2018
Voltage	V	18V(20V Max)	20V Max
Capacity	Ah	1.5	2.0
Type		Li-Ion	Li-Ion

### Intended use

Your Black + Decker multi-purpose tool has been designed for a wide range of DIY applications.

This tool is intended for consumer use only. Your Black + Decker charger has been designed for charging Black + Decker batteries of the type supplied with this tool.

### Safety instructions

#### General power tool safety warnings



**Warning!** Read all safety warnings and all instructions. Failure to follow the warnings and instructions listed below may result in electric shock, fire and/or serious injury.

#### Save all warnings and instructions for future reference.

The term "power tool" in the warnings refers to your mains operated (corded) power tool or battery operated (cordless) power tool.

1. **Work area safety**
  - a. **Keep work area clean and well lit.** Cluttered or dark areas invite accidents.
  - b. **Do not operate power tools in explosive atmospheres, such as in the presence of flammable liquids, gases or dust.** Power tools create sparks which may ignite the dust or fumes.
  - c. **Keep children and bystanders away while operating a power tool.** Distractions can cause you to lose control.
2. **Electrical safety**
  - a. **Power tool plugs must match the outlet. Never modify the plug in any way. Do not use any adapter plugs with earthed (grounded) power tools.** Unmodified plugs and matching outlets will reduce risk of electric shock.
  - b. **Avoid body contact with earthed or grounded surfaces such as pipes, radiators, ranges and refrigerators.** There is an increased risk of electric shock if your body is earthed or grounded.
  - c. **Do not expose power tools to rain or wet conditions.** Water entering a power tool will increase the risk of electric shock.
  - d. **Do not abuse the cord. Never use the cord for carrying, pulling or unplugging the power tool. Keep cord away from heat, oil, sharp edges or moving parts.** Damaged or entangled cords increase the risk of electric shock.
  - e. **When operating a power tool outdoors, use an extension cord suitable for outdoor use.** Use of a cord suitable for outdoor use reduces the risk of electric shock.
  - f. **If operating a power tool in a damp location is unavoidable, use a residual current device (RCD) protected supply.** Use of an RCD reduces the risk of electric shock.
3. **Personal safety**
  - a. **Stay alert, watch what you are doing and use common sense when operating a power tool. Do not use a power tool while you are tired or under the influence of drugs, alcohol or medication.** A moment of inattention while operating power tools may result in serious personal injury.
  - b. **Use personal protective equipment. Always wear eye protection.** Protective equipment such as dust mask, non-skid safety shoes, hard hat, or hearing protection used for appropriate conditions will reduce personal injuries.
  - c. **Prevent unintentional starting. Ensure the switch is in the off-position before connecting to power source and/or battery pack, picking up or carrying the tool.** Carrying power tools with your finger on the switch or energising power tools that have the switch on invites accidents.

- d. **Remove any adjusting key or wrench before turning the power tool on.** A wrench or a key left attached to a rotating part of the power tool may result in personal injury.
- e. **Do not overreach. Keep proper footing and balance at all times.** This enables better control of the power tool in unexpected situations.
- f. **Dress properly. Do not wear loose clothing or jewellery. Keep your hair, clothing and gloves away from moving parts.** Loose clothes, jewellery or long hair can be caught in moving parts.
- g. **If devices are provided for the connection of dust extraction and collection facilities, ensure these are connected and properly used.** Use of dust collection can reduce dust-related hazards.
- h) **Do not let familiarity gained from frequent use of tools allow you to become complacent and ignore tool safety principles.** A careless action can cause severe injury within a fraction of a second.

#### 4. Power tool use and care

- a. **Do not force the power tool. Use the correct power tool for your application.** The correct power tool will do the job better and safer at the rate for which it was designed.
- b. **Do not use the power tool if the switch does not turn it on and off.** Any power tool that cannot be controlled with the switch is dangerous and must be repaired.
- c. **Disconnect the plug from the power source and/or the battery pack from the power tool before making any adjustments, changing accessories, or storing power tools.** Such preventive safety measures reduce the risk of starting the power tool accidentally.
- d. **Store idle power tools out of the reach of children and do not allow persons unfamiliar with the power tool or these instructions to operate the power tool.** Power tools are dangerous in the hands of untrained users.
- e. **Maintain power tools. Check for misalignment or binding of moving parts, breakage of parts and any other condition that may affect the power tools operation.** If damaged, have the power tool repaired before use. Many accidents are caused by poorly maintained power tools.
- f. **Keep cutting tools sharp and clean.** Properly maintained cutting tools with sharp cutting edges are less likely to bind and are easier to control.
- g. **Use the power tool, accessories and tool bits etc. in accordance with these instructions, taking into account the working conditions and the work to be performed.** Use of the power tool for operations different from those intended could result in a hazardous situation.
- h) **Keep handles and grasping surfaces dry, clean and free from oil and grease.** Slippery handles and grasping

surfaces do not allow for safe handling and control of the tool in unexpected situations.

#### 5. Battery tool use and care

- a. **Recharge only with the charger specified by the manufacturer.** A charger that is suitable for one type of battery pack may create a risk of fire when used with another battery pack.
- b. **Use power tools only with specifically designated battery packs.** Use of any other battery packs may create a risk of injury and fire.
- c. **When battery pack is not in use, keep it away from other metal objects, like paper clips, coins, keys, nails, screws, or other small metal objects, that can make a connection from one terminal to another.** Shorting the battery terminals together may cause burns or a fire.
- d. **Under abusive conditions, liquid may be ejected from the battery; avoid contact. If contact accidentally occurs, flush with water. If liquid contacts eyes, additionally seek medical help.** Liquid ejected from the battery may cause irritation or burns.
- e. **Do not use a battery pack or tool that is damaged or modified.** Damaged or modified batteries may exhibit unpredictable behaviour resulting in fire, explosion or risk of injury.
- f. **Do not expose a battery pack or tool to fire or excessive temperature.** Exposure to fire or temperature above 130 °C may cause explosion.
- g. **Follow all charging instructions and do not charge the battery pack or tool outside the temperature range specified in the instructions.** Charging improperly or at temperatures outside the specified range may damage the battery and increase the risk of fire.

#### 6. Service

- a. **Have your power tool serviced by a qualified repair person using only identical replacement parts.** This will ensure that the safety of the power tool is maintained.
- b. **Never service damaged battery packs.** Service of battery packs should only be performed by the manufacturer or authorized service providers.

#### Safety of others

- This appliance is not intended for use by persons (including children) with reduced physical, sensory or mental capabilities, or lack of experience and knowledge, unless they have been given supervision or instruction concerning use of the appliance by a person responsible for their safety.
- Children should be supervised to ensure that they do not play with the appliance.

## Residual risks.

Additional residual risks may arise when using the tool which may not be included in the enclosed safety warnings. These risks can arise from misuse, prolonged use etc.

Even with the application of the relevant safety regulations and the implementation of safety devices, certain residual risks can not be avoided. These include:

- Injuries caused by touching any rotating/moving parts.
- Injuries caused when changing any parts, blades or accessories.
- Injuries caused by prolonged use of a tool. When using any tool for prolonged periods ensure you take regular breaks.
- Impairment of hearing.
- Health hazards caused by breathing dust developed when using your tool (example:- working with wood, especially oak, beech and MDF.)

## Labels on tool

The following pictograms are shown on the tool:



**Warning!** To reduce the risk of injury, the user must read the instruction manual.

## Additional safety instructions for batteries and chargers

### Batteries

- Never attempt to open for any reason.
- Do not expose the battery to water.
- Do not store in locations where the temperature may exceed 40 °C.
- Charge only at ambient temperatures between 10 °C and 40 °C.
- Charge only using the charger provided with the tool.
- When disposing of batteries, follow the instructions given in the section "Protecting the environment".



Do not attempt to charge damaged batteries.

### Chargers

- Use your Black + Decker charger only to charge the battery in the tool with which it was supplied. Other batteries could burst, causing personal injury and damage.
- Never attempt to charge non-rechargeable batteries.
- Have defective cords replaced immediately.
- Do not expose the charger to water.
- Do not open the charger.
- Do not probe the charger.



The charger is intended for indoor use only.



Read the instruction manual before use.

## Electrical safety



Your charger is double insulated; therefore no earth wire is required. Always check that the mains voltage corresponds to the voltage on the rating plate. Never attempt to replace the charger unit with a regular mains plug.

- If the supply cord is damaged, it must be replaced by the manufacturer or an authorised Black + Decker Service Centre in order to avoid a hazard.

## Features

This tool includes some or all of the following features.

1. Variable speed switch
2. Forward/reverse slider
3. Head release button
4. Bit holder
5. Battery
6. Battery release button
8. Torque adjustment collar
9. Chuck
10. LED work light
11. Charging indicator
12. Charger
13. Speed selector
14. Clutch marking

## Assembly

**Warning!** Before assembly, remove the battery from the tool.

### Fitting and removing the battery (fig. A)

- To fit the battery (5), line it up with the receptacle on the tool. Slide the battery into the receptacle and push until the battery snaps into place.
- To remove the battery, push the release button (6) while at the same time pulling the battery out of the receptacle.

### Fitting and removing tool heads (fig. B)

**Warning!** Care must be taken when fitting and removing heads. Moving parts may become hot during use.

- Lock the tool by setting the forward/reverse slider (2) to the centre position.
- To remove a tool head, depress the head release button (3) and take the head off the tool.
- To fit a tool head, line it up with the tool as shown and push it onto the tool until it snaps into place.

## Use

**Warning!** Let the tool work at its own pace. Do not overload.

**Warning!** Before drilling into walls, floors or ceilings, check for the location of wiring and pipes.

## Charging the battery (fig. C)

The battery needs to be charged before first use and whenever it fails to produce sufficient power on jobs that were easily done before. The battery may become warm while charging; this is normal and does not indicate a problem.

**Warning!** Do not charge the battery at ambient temperatures below 10 °C or above 40 °C. Recommended charging temperature: approx. 24 °C.

**Note: The charger will not charge a battery if the cell temperature is below approximately 0 °C or above 40 °C. The battery should be left in the charger and the charger will begin to charge automatically when the cell temperature warms up or cools down.**

- To charge the battery (5), insert it into the charger (12).  
The battery will only fit into the charger in one way. Do not force. Be sure that the battery is fully seated in the charger.

- Plug in the charger and switch on at the mains.

The charging indicator (11) will flash green continuously (slowly).

The charge is complete when the charging indicator (11) lights green continuously. The charger and the battery can be left connected indefinitely with the LED illuminated. The LED will change to flashing green (charging) state as the charger occasionally tops off the battery charge. The charging indicator (11) will be lit as long as the battery is connected to the plugged-in charger.

- Charge discharged batteries within 1 week. Battery life will be greatly diminished if stored in a discharged state.

## Leaving the battery in the charger

The charger and battery pack can be left connected with the LED glowing indefinitely. The charger will keep the battery pack fresh and fully charged.

## Charger diagnostics

If the charger detects a weak or damaged battery, the charging indicator (11) will flash red at a fast rate. Proceed as follows:

- Re-insert the battery (5).
- If the charging indicators continues flashing red at a fast rate, use a different battery to determine if the charging process works properly.
- If the replaced battery charges correctly, the original battery is defective and should be returned to a service centre for recycling.

- If the new battery gives the same indication as the original battery, take the charger to be tested at an authorised services centre.

**Note: It may take as long as 60 minutes to determine that the battery is defective. If the battery is too hot or too cold, the LED will alternately blink red, fast and slow, one flash at each speed and repeat.**

## BIT TIP STORAGE

A magnetic bit storage slot (4) is built into the area on the top of the tool.

## LED WORK LIGHT

When drill is activated by pulling the trigger switch (1), the integrated LED work light (10) will automatically illuminate the work area.

**NOTE:** The work light is for lighting the immediate work surface and is not intended to be used as a flashlight.

## Accessories

The performance of your tool depends on the accessory used. Black + Decker and Piranha accessories are engineered to high quality standards and designed to enhance the performance of your tool. By using these accessories you will get the very best from your tool.

## Maintenance

Your Black + Decker corded/cordless appliance/tool has been designed to operate over a long period of time with a minimum of maintenance. Continuous satisfactory operation depends upon proper tool care and regular cleaning.

**Warning!** Before performing any maintenance on corded/cordless power tools:

- Switch off and unplug the appliance/tool.
- Or switch off and remove the battery from the appliance/tool if the appliance/tool has a separate battery pack.
- Or run the battery down completely if it is integral and then switch off.
- Unplug the charger before cleaning it. Your charger does not require any maintenance apart from regular cleaning.
- Regularly clean the ventilation slots in your appliance/tool/charger using a soft brush or dry cloth.
- Regularly clean the motor housing using a damp cloth. Do not use any abrasive or solvent-based cleaner.
- Regularly open the chuck and tap it to remove any dust from the interior (when fitted).

## Protecting the environment



Separate collection. This product must not be disposed of with normal household waste.

Should you find one day that your Black + Decker product needs replacement, or if it is of no further use to you, do not dispose of it with household waste. Make this product available for separate collection.



Separate collection of used products and packaging allows materials to be recycled and used again. Re-use of recycled materials helps prevent environmental pollution and reduces the demand for raw materials.

Local regulations may provide for separate collection of electrical products from the household, at municipal waste sites or by the retailer when you purchase a new product.

### Batteries



Run the battery down completely, then remove it from the tool.

- NiCd, NiMH and Li-Ion batteries are recyclable. Take them to any authorised repair agent or a local recycling station.

### Service Information

Black + Decker offers a full network of company-owned and authorized service locations throughout Asia. All Black + Decker Service Centers are staffed with trained personnel to provide customers with efficient and reliable power tool service. Whether you need technical advice, repair, or genuine factory replacement parts, contact the Black + Decker location nearest to you.

### Notes

- Black + Decker's policy is one of continuous improvement to our products and, as such, we reserve the right to change product specifications without prior notice.
- Standard equipment and accessories may vary by country.
- Product specifications may differ by country.
- Complete product range may not be available in all countries.
- Contact your local Black + Decker dealers for range availability.

# EVO185

## 다목적 도구

### 기술 데이터

다목적 도구	EVO185	
전압	V	18V(20V Max)
무게	kg	0.54(본체)

충전기	BDC2A		
입력 전압	V	100-240	
출력 전압	V	8-20	
전류		400mA	2A
충전 시간	4시간	45분 ~ 1시간	

배터리	BL1518		BL2018
전압	V	18V(20V Max)	18V(20V Max)
용량	Ah	1.5	2.0
유형		Li-Ion	Li-Ion

### 용도

BLACK+DECKER 다목적 도구는 다양한 DIY 작업을 위해 설계되었습니다.

본 도구는 소비자 전용입니다. BLACK+DECKER 충전기는 이 도구와 함께 제공된 유형의 BLACK+DECKER 배터리를 충전하도록 설계되었습니다.

### 안전 지침에

#### 전동 공구에 관한 일반 안전 경고



**경고!** 모든 안전 경고와 모든 지침을 읽으십시오. 경고 및 지침을 따르지 않으면 감전, 화재 및 / 또는 심각한 부상을 입을 수 있습니다.

향후 참고할 수 있도록 모든 경고 및 지시 사항을 보관해두십시오. 경고에서 사용된 "전동 공구"라는 용어는 주 공급 전원에 의해 전기가 공급되는 (유선) 전동 공구 또는 충전식 (무선) 전동 공구를 의미합니다.

#### 1. 작업장 안전

- 작업장을 항상 청결하고 밝게 유지하십시오. 혼잡하거나 어두운 작업장에서는 사고가 발생하기 쉽습니다.
- 가연성 액체, 가스 또는 먼지 등이 있는 폭발성 대기에서 전동 공구를 사용하지 마십시오. 전동 공구에서 먼지나 가스를 발화시킬 수 있는 불꽃이 될 수 있습니다.
- 전동 공구로 작업하는 동안에는 어린이와 주변 사람들이 작업 영역에 가까이 들어오지 못하도록 하십시오. 주의가 산만 해지면 통제력을 잃을 수 있습니다.

#### 2. 전기 안전

- 동공구의 플러그는 콘센트와 형식이 일치해야 하며, 플러그를 어떤 형태로든 개조하지 마십시오. 또한 접지된 전동공구에 다른 어댑터 플러그를 사용하지 마십시오. 개조되지 않은 플러그 및 형식이 일치하는 콘센트를 사용하면 감전 위험이 줄어듭니다.
- 파이프 판, 라디에이터, 렌즈, 냉장고 등의 접지 표면에 물이 닿지 않도록 하십시오. 몸에 닿을 경우 감전이 될 위험이 높아집니다.
- 전동 공구를 비 또는 습한 환경에 노출하지 않도록 주의하십시오. 전동 공구에 물이 들어가면 감전 위험이 높아집니다.
- 코드를 함부로 다루지 마십시오. 코드를 사용하여 전동공구를 운반하거나, 코드를 과도하게 잡아당겨서 플러그를 뽑지 않도록 주의하십시오. 전열코드가 열기 또는 오일과 접촉되는 것을 피하고, 날카로운 모서리 또는 기기의 기동 부위에 닿지 않도록 주의 하십시오. 코드가 손상되거나 얽혀 있으면 감전 위험이 높아집니다.
- 전동 공구를 실외에서 사용할 때는 실외 사용에 적합한 연장 코드를 사용하십시오. 실외 사용에 적합한 코드를 사용하면 감전 위험이 줄어듭니다.
- 전동공구를 습한 공간에서 사용할 경우, 반드시 누전 차단기를 사용하십시오. 누전 차단기 (RCD) 를 사용하면 감전의 위험이 줄어듭니다. RCD 를 사용하면 감전 위험이 줄어듭니다.

#### 3. 신체 안전 사항

- 전동 공구를 작동할 때는 경계를 유지하고 수행중인 작업을 주의 깊게 살펴보고 상식을 사용하십시오. 피곤한 상태이거나 약물, 술, 치료제를 복용한 상태에서는 전동 공구를 사용하지 마십시오. 전동 공구를 작동하는 동안 잠시 부주의하면 심각한 부상을 입을 수 있습니다.
- 신체 보호 장비를 착용하십시오. 항상 보안경을 착용하십시오. 적합한 상황에서 방진 마스크, 미끄럼 방지 안전화, 안전모 또는 청력 보호 기구 등의 보호 장비를 사용하면 신체 부상 위험이 줄어듭니다.
- 의도하지 않은 장비 가동 방지. 전원 및/또는 배터리 팩에 연결한 상태로 공구를 선택 또는 운반할 때는 사전에 스위치가 꺼짐 위치에 있는지 반드시 확인하십시오. 스위치가 꺼짐 위치에 있는 상태에서 스위치가 손가락이 닿은 상태로 전동 공구를 운반하거나 전동 공구에 전원을 공급하면 사고가 발생합니다.



- d. **전동 공구를 커기 전에 모든 조정 키 또는 렌치를 제거하십시오.** 전동 공구의 회전 부품에 렌치나 키가 부착되어 있으면 부상을 당할 수 있습니다.
- e. **지나치게 손을 뻗지 마십시오.** 항상 적절한 발판과 균형을 유지하십시오. 안정된 자세로 작업을 할 경우 전동 공구를 안전하게 사용할 수 있습니다.
- f. **작업에 적절한 의복을 착용하십시오.** 헐렁한 옷이나 장신구를 착용하지 마십시오. 머리카락, 의복 및 장갑을 움직이는 부품에서 멀리 두십시오. 헐렁한 옷, 장신구 또는 긴 머리가 움직이는 부품에 걸 수 있습니다.
- g. **먼지 배출 및 집진 시설 연결을 위한 장치가 제공된 경우, 이들 장치가 연결되어 적절히 사용되고 있는지 반드시 확인하십시오.** 집진 장치를 사용하면 먼지와 관련된 위험을 줄일 수 있습니다.
- h) **장치를 자주 사용함으로써 생긴 익숙함으로 인해 현실에 अनु주하거나 공구 안전 원칙을 무시하지 않도록 하십시오.** 부주의한 작동은 순식간에 심각한 부상을 야기할 수 있습니다.

#### 4. 전동 공구 사용 및 관리

- a. **전동 공구에 무리한 힘을 가하지 마십시오.** 해당 용도에 맞는 올바른 전동 공구를 사용하십시오. 올바른 전동 공구를 사용해야 설계된 속도로 작업을 더욱 안전하고 정확하게 수행할 수 있습니다.
- b. **커지지 않거나 꺼지지 않는 경우 전동 공구를 사용하지 마십시오.** 스위치로 제어되지 않는 전동 공구는 위험하므로 수리해야 합니다.
- c. **조정을 하거나, 부속품을 교체하거나, 전동 공구를 보관하기 전에 전원에서 플러그를 뽑거나 전동 공구에서 배터리 팩을 제거 하십시오.** 이러한 예방적 안전 조치를 따라야 전동 공구가 갑자기 작동할 위험이 줄어듭니다.
- d. **사용하지 않는 전동 공구는 어린이의 손이 닿지 않는 곳에 보관하고, 전동 공구나 본 지시 사항에 익숙하지 않은 사람이 전동 공구를 절대 사용하지 못하게 하십시오.** 전동 공구는 훈련을 받지 않은 사용자가 다루면 위험합니다.
- e. **전동 공구를 유지 관리하십시오.** 움직이는 부품의 잘못된 정렬이나 바인딩, 부품 파손 및 기타 전동 공구의 작동에 영향을 미칠 수 있는 기타 모든 상태를 확인하십시오. 손상된 부분이 있는 경우 사용하기 전에 전동 공구를 수리하십시오. 많은 사고는 전동 공구를 제대로 유지 보수하지 않아 발생합니다.
- f. **공구를 깨끗한 상태로 유지하십시오.** 절삭 가장자리를 예리하게 잘 유지하면 절삭기를 사용할 때 바인딩이 적고 다루기가 용이합니다.
- g. **작업 환경과 수행할 작업을 고려하여, 본 지시 사항에 따라 전동 공구, 액세서리 및 톨 비트 등을 사용하십시오.** 본 사용 설명서의 내용과 다른 용도로 전동 공구를 사용하면 위험한 상황이 발생할 수 있습니다.
- h) **핸들과 잡는 표면은 건조하고 깨끗한 상태를 유지하고 오일/기름이 묻지 않도록 하십시오.** 미끄러운 핸들과 잡는 면은 예기치 못한 상황에서 안전한 취급과 공구 관리를 보장하지 않습니다.

#### 5. 배터리 공구 사용 및 주의 사항

- a. **다시 충전할 때는 제조업체에서 지정한 충전기만 사용하십시오.** 하나의 배터리 팩 유형에 적합한 충전기를 다른 배터리 팩과 함께 사용할 경우 화재의 위험이 있습니다.
- b. **전동 공구를 사용할 때는 구체적으로 지정되어 있는 배터리 팩만 사용하십시오.** 다른 배터리 팩을 사용하면 부상을 입거나 화재의 위험이 있습니다.
- c. **배터리 팩을 사용하지 않을 때에는 클립, 동전, 키, 못, 나사 등의 금속 물체나, 단자 간에 연결할 수 있는 작은 금속 물체가 닿지 않도록 멀리 두십시오.** 배터리 단자가 단락 되면 화상을 입거나 화재의 위험이 있습니다.
- d. **배터리를 과다 사용하면 액체가 배터리에서 흘러나올 수 있으므로, 접촉을 피하십시오.** 실수로 접촉한 경우에는 물로 씻으십시오. 액체가 눈에 들어간 경우 치료를 받으십시오. 배터리에서 나온 액체는 통증을 유발하거나 화상을 입힐 수 있습니다.
- e. **손상되거나 변경된 배터리 팩 또는 공구를 사용하지 마십시오.** 손상되거나 개조된 배터리는 예측할 수 없는 작용을 보여, 화재, 폭발 또는 부상 위험을 야기할 수 있습니다.
- f. **배터리 팩 또는 공구를 불이나 과도한 온도에 노출하지 마십시오.** 불 또는 130 °C 이상의 온도에 노출되면 폭발할 수 있습니다.
- g. **모든 충전 지침을 따르고 배터리 팩 또는 공구를 설명서에 지정한 범위 밖의 온도에서 충전하지 마십시오.** 적절하지 않게 충전하거나 지정한 범위 밖의 온도에서 충전하면 배터리가 손상되어 화재 위험이 증가될 수 있습니다.
- h. **직사광선이 비치는 차량 내부에는 제품 또는 배터리를 보관하지 마십시오.** 화재 또는 폭발의 원인이 됩니다.

#### 6. 유지 보수

- a. **자격을 갖춘 기술자가 동일 교체 부품을 사용하여 정비 작업을 수행해야 합니다.** 그래야 전동 공구의 안전이 보장됩니다.
- b. **손상된 배터리 팩을 정비하지 마십시오.** 배터리 팩은 제조업체 또는 공인 서비스 공급업체를 통해서만 점검을 받아야 합니다.

#### 타인의 안전

- 이 기기는 안전을 책임지는 사람이 기기 사용에 대해 감독하거나 지시하지 않는 한 신체적, 감각적 또는 정신적 능력이 약하거나 경험과 지식이 부족한 사람 (어린이 포함) 이 사용하도록 설계되지 않았습니다.
- 어린이가 기기를 가지고 놀지 않도록 감독해야 합니다.

#### 잔여 위험

동봉된 안전 경고에 포함되지 않은 도구를 사용할 때 추가적인 위험이 발생할 수 있습니다. 이러한 위험은 오용, 장기간 사용 등으로 인해 발생할 수 있습니다.

관련 안전 규정을 적용하고 안전장치를 구현하더라도 특정 잔류 위험을 피할 수 없습니다. 여기에는 다음이 포함됩니다.

- 회전/움직이는 부분을 만짐으로 인한 부상.
- 부품, 블레이드 또는 액세서리를 교체할 때 발생하는 부상.

- 장기간 공구 사용으로 인한 부상. 장기간 도구를 사용할 때는 정기적으로 휴식을 취하십시오.
- 청력 손상.
- 도구를 사용할 때 발생하는 먼지 호흡으로 인한 건강 위험 (예: 나무, 특히 참나무, 너도밤나무 및 MDF 작업).

- 충전 단자에 젓가락, 드라이버 등을 넣거나 접촉하여 쇼트 시키지 마십시오.
- 동물이 충전기 전원을 갇아 먹지 않도록 주의하십시오.
- 어린이 등, 경험과 지식이 부족한 사람이 사용할 경우에는 보호자가 꼭 보호하에 사용하도록 해주십시오.

## 공구의 레이블

공구에는 다음과 같은 그림이 있습니다:



**경고!** 부상의 위험을 줄이기 위해 사용자는 사용 설명서를 읽어야 합니다.



충전기는 실내 전용입니다.



사용하기 전에 사용 설명서를 읽으십시오.

## 배터리 및 충전기에 대한 추가 안전 지침

### 배터리

- 어떤 이유로든 열지 마십시오.
- 배터리를 물에 노출시키지 마십시오.
- 온도가 40°C를 초과할 수 있는 장소에 보관하지 마십시오.
- 주변 온도가 10°C - 40°C 인 경우에만 충전하십시오.
- 공구와 함께 제공된 충전기 만 사용하여 충전하십시오.
- 배터리를 폐기할 때는 "환경 보호" 섹션의 지침을 따르십시오.



손상된 배터리를 충전하지 마십시오.

### 충전기

- BLACK + DECKER 충전기는 함께 제공된 도구의 배터리를 충전할 때만 사용하십시오. 다른 배터리는 파열되어 부상을 입거나 손상될 수 있습니다.
- 비 충전식 배터리를 충전하지 마십시오.
- 손상된 코드는 즉시 교체하십시오.
- 충전기를 물에 노출시키지 마십시오.
- 충전기를 열지 마십시오.
- 충전기를 조사하지 마십시오.
- 제품을 충전할 때, 제품 전원을 껐는지 반드시 확인하고 충전하십시오.
- 전원 플러그를 하나의 콘센트 (멀티탭) 에 여러 제품을 동시에 사용하지 마십시오.  
\*콘센트의 이상 발열로 화재의 원인이 됩니다.  
\*차단기가 작동하여 전원이 꺼질 수 있습니다.
- 전원을 무리하게 구부리거나 무거운 물건에 눌러 손상되지 않도록 주의하십시오.  
\*전원선이 손상되어 감전 또는 화재의 원인이 됩니다.
- 배터리 충전이 완료 된 이후에는 충전기 전원 플러그를 뽑으십시오.  
\*감전, 누전 및 화재의 원인이 됩니다.
- 변압기를 사용하는 경우 전압, 주파수, 정격 전력의 조건이 다르기 때문에 감전, 화재의 원인이 될 수 있습니다.
- 충전기가 침수됐거나 물이 들어간 경우에는 사용을 중지하십시오.
- 충전기를 청소 할 때는 반드시 전원 플러그를 뽑으십시오.
- 외출 시에는 반드시 충전기 전원 플러그를 뽑아 주십시오.  
\*누전, 화재의 원인이 될 수 있습니다.

### 전기 안전



충전기는 이중 절연되어 있으므로 접지선이 필요하지 않습니다. 주전원 전압이 명판의 전압과 일치하는지 항상 확인하십시오. 충전기를 일반 전원 플러그로 교체하지 마십시오.

- 전원 코드가 손상된 경우 위험을 방지하기 위해 제조업체 또는 공인 BLACK + DECKER 서비스 센터에서 교체해야 합니다.

## 기능

본 도구에는 다음 기능 중 일부 또는 전부가 포함되어 있습니다.

1. 가변 속도 스위치
2. 정회전/역회전 변환 슬라이더
3. 헤드 분리 버튼
4. 비트 홀더
5. 배터리
6. 배터리 해제 버튼
7. LED 작업등
8. 충전 표시기
9. 충전기

## 어셈블리

**경고!** 초립하기 전에 공구에서 배터리를 제거하십시오.

### 배터리 장착 및 제거 (그림 A)

- 배터리 (5) 를 장착하려면 공구 의 콘센트에 맞춰 정렬하십시오. 배터리를 콘센트에 밀어 넣고 배터리가 제자리에 고정될 때까지 밀니다.
- 배터리를 제거하려면 분리 버튼 (6) 을 누르는 동시에 배터리를 소켓에서 빼냅니다.

### 공구 헤드 장착 및 제거 (그림 B)

**경고!** 헤드를 장착하고 제거할 때 주의해야 합니다. 사용 중 움직이는 부품이 뜨거워질 수 있습니다.

- 정회전/역회전 변환 슬라이더 (2) 를 센터 위치로 설정하여 공구를 잠급니다.
- 공구 헤드를 제거하려면 헤드 분리 버튼 (3) 을 누르고 공구에서 헤드를 빼십시오.
- 공구 헤드를 장착하려면 그림과 같이 공구와 일렬로 정렬하고 제자리에 고정될 때까지 공구에 밀어 넣으십시오.

## 사용

**경고!** 공구가 자체 속도로 작동하도록 하십시오. 과부하 하지 마십시오.

**경고!** 벽, 바닥 또는 천장에 구멍을 뚫기 전에 배선 및 파이프의 위치를 확인하십시오.

## 배터리 충전 (그림 C)

배터리는 처음 사용하기 전과 이전에 쉽게 수행했던 작업에서 충분한 전력을 공급하지 못할 때마다 충전해야 합니다. 충전하는 동안 배터리가 따뜻해질 수 있습니다. 이것은 정상적인 현상이며 문제를 나타내는 것이 아닙니다.

**경고!** 주변 온도가 10°C 이하 또는 40°C 이상인 장소에서는 배터리를 충전하지 마십시오. 권장 충전 온도: 약 24°C.

**참고:** 배터리 온도가 약 0°C 이하이거나 40°C 이상이면 충전기가 배터리를 충전하지 않습니다. 배터리는 충전기에 그대로 두어야 하며 셀 온도가 예열되거나 냉각되면 충전기가 자동으로 충전되기 시작합니다.

- 배터리 (5) 를 충전하려면 충전기 (9) 에 삽입하십시오. 배터리는 한 방향으로만 충전기에 맞습니다. 배터리가 충전기에 완전히 장착되었는지 확인하십시오.
- 충전기를 연결하고 전원을 켜십시오.

충전 표시등 (8) 이 녹색으로 계속 깜박입니다 (천천히).

충전 표시등 (8) 이 녹색으로 계속 켜져 있으면 충전이 완료된 것입니다. 충전기와 배터리는 LED 가 꺼진 상태에서 무기한 연결 상태로 둘 수 있습니다. 충전기가 때때로 배터리 충전량을 완전히 충전하면 LED 가 깜박이는 녹색 (충전 중) 상태로 변경됩니다. 배터리가 연결된 충전기에 연결되어 있는 동안에는 충전 표시등 (8) 이 켜집니다.

- 방전 된 배터리는 1 주일 이내에 충전하십시오. 방전 된 상태로 보관하면 배터리 수명이 크게 줄어듭니다.

## 충전기에 배터리 보관

충전기와 배터리 팩은 LED 표시등이 점등된 상태로 연결되어 있을 수 있습니다. 충전기는 배터리 팩을 완전히 충전된 상태로 유지합니다.

## 충전기 진단

충전기가 약하거나 손상된 배터리를 감지하면 충전 표시등 (8) 이 빠른 속도로 빨간색으로 깜박입니다. 다음과 같이 진행하십시오.

- 배터리 (5) 를 다시 삽입하십시오.
- 충전 표시등이 빨간색으로 빠른 속도로 계속 깜박이면 다른 배터리를 사용하여 충전이 제대로 되는지 확인하세요.
- 교체한 배터리가 제대로 충전되면 원래 배터리에 결함이 있는 것이므로 서비스 센터에 반납하여 재활용해야 합니다.
- 새 배터리가 원래 배터리와 같은 표시가 나면 충전기를 가지고 공인 서비스 센터에서 테스트를 받으십시오.

**참고:** 배터리에 결함이 있는지 확인하는 데 60 분이 소요될 수 있습니다. 배터리가 너무 뜨겁거나 너무 차가우면 LED 가 빨간색으로 빠르게 깜박이고 느리게 깜박이며 각 속도에서 한 번 깜박이고 반복합니다.

## 비트 팁 저장

비트 홀더 (4) 는 도구 상단 영역에 내장되어 있습니다.

## LED 작업등

방아쇠 스위치 (1) 를 당겨 드릴을 작동시키면 통합 LED 작업등 (7) 이 자동으로 작업 영역을 비춥니다.

**참고:** 작업등은 바로 작업 표면을 비추기 위한 것이며 손전등으로 사용할 수 없습니다.

## 액세서리

공구의 성능은 사용되는 액세서리에 따라 다릅니다. BLACK+DECKER 및 PIRANHA 액세서리는 고품질 표준에 따라 설계되었으며 도구의 성능을 향상시키도록 설계되었습니다. 이러한 액세서리를 사용하면 공구에서 최상의 결과를 얻을 수 있습니다.

## 유지 보수

BLACK+DECKER /무선 기기/공구는 최소한의 유지 보수로 장기간 작동하도록 설계되었습니다. 만족스러운 연속 작동은 적절한 공구 관리와 정기적인 청소로 따라 그 성능이 달라질 수 있습니다.

**경고!** 유선/무선 전동 공구에 대한 유지 관리를 수행하기 전에:

- 스위치를 끄고 기기/공구의 플러그를 뽑습니다.
- 또는 기기/공구에 별도의 배터리 팩이 있는 경우 전원을 끄고 기기/공구에서 배터리를 제거하십시오.
- 또는 배터리가 통합된 경우 완전히 방전된 다음 전원을 끕니다.
- 청소하기 전에 충전기의 플러그를 뽑으십시오. 충전기는 정기적인 청소 외에 유지 관리가 필요하지 않습니다.
- 제품/공구/충전기의 통풍구를 부드러운 솔이나 마른 천으로 주기적으로 청소하세요.
- 모터 하우징은 젖은 천으로 정기적으로 청소해 주십시오. 연마제 또는 솔벤트 기반 클리너를 사용하지 마십시오.
- 정기적으로 척을 열고 두드려 내부의 먼지를 제거하십시오 (장착 시).

## 환경 보호



분리수거. 이 제품은 일반 가정용 쓰레기와 함께 폐기해서는 안 됩니다.

BLACK+DECKER 제품을 교체해야 하는 날이 있거나 더 이상 사용하지 않는 경우 가정용 쓰레기와 함께 폐기하지 마십시오. 이 제품을 별도로 수집할 수 있도록 하십시오.



사용한 제품과 포장을 별도로 수집하면 재료를 재활용하고 다시 사용할 수 있습니다. 재활용 재료의 재사용은 환경 오염을 방지하고 원자재 수요를 줄이는 데 도움이 됩니다.

지역 규정에 따라 새 제품을 구입할 때 가정, 생활 폐기물 처리장 또는 소매점에서 전기 제품을 별도로 수거하도록 규정할 수 있습니다.

## 배터리



배터리를 완전히 소모시킨 다음 공구에서 제거하십시오.

- NiCd, NiMH 및 Li-Ion 배터리는 재활용 가능합니다. 공인 수리 대리점이나 지역 재활용 센터에 가져가십시오.

## 서비스 정보

BLACK+DECKER 는 아시아 전역에 걸쳐 회사 소유의 승인 서비스 지점으로 이루어진 전체 네트워크를 제공합니다. 모든 BLACK+DECKER 서비스 센터에는 숙련된 인력이 배치되어 고객에게 효율적이고 안정적인 전동 공구 서비스를 제공합니다. 기술 조언, 수리 또는 정품 공장 교체 부품이 필요한 가장 가까운 BLACK+DECKER 지점에 문의하십시오.

## 참고

- BLACK+DECKER 의 정책은 당사 제품의 지속적인 개선 중 하나이며, 이에 따라 당사는 사전 통지 없이 제품 사양을 변경할 수 있는 권리를 보유합니다.
- 표준 장비 및 액세서리는 국가마다 다를 수 있습니다.
- 제품 사양은 국가별로 다를 수 있습니다.
- 일부 국가에서는 전체 제품군이 제공되지 않을 수 있습니다.
- 사용 가능 여부는 지역 BLACK+DECKER 대리점에 문의하십시오.

기타 서비스 관련 문의 사항이 있으실 경우 스탠리블랙앤데커 고객 지원 센터 (1577-0933) 으로 문의하십시오.