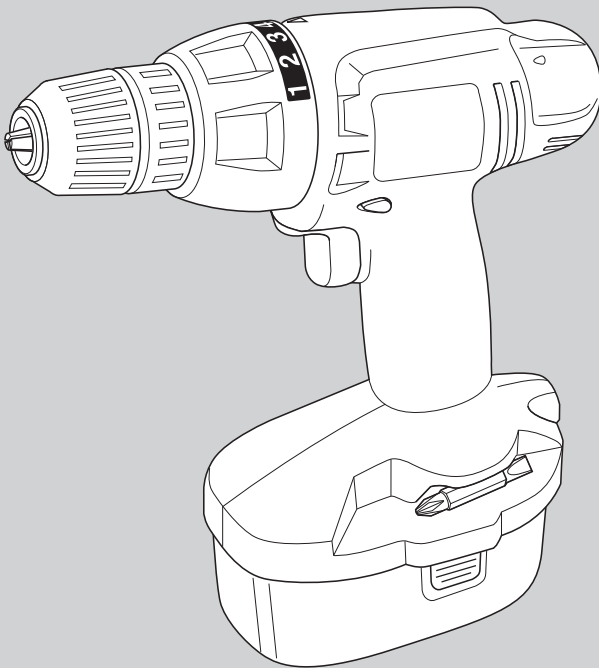


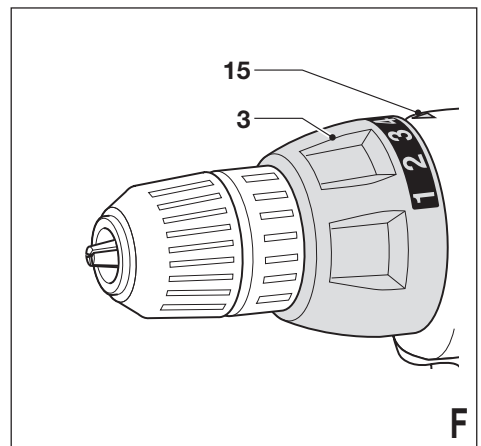
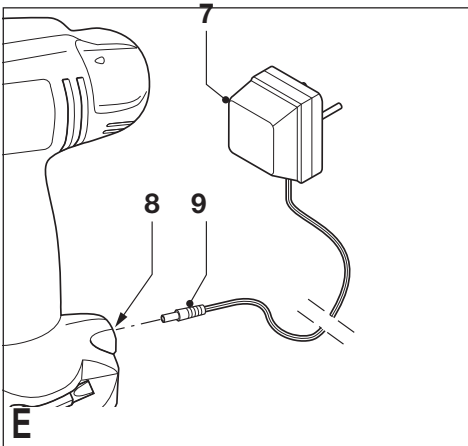
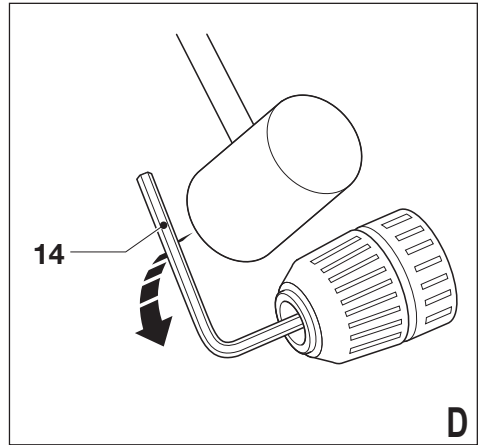
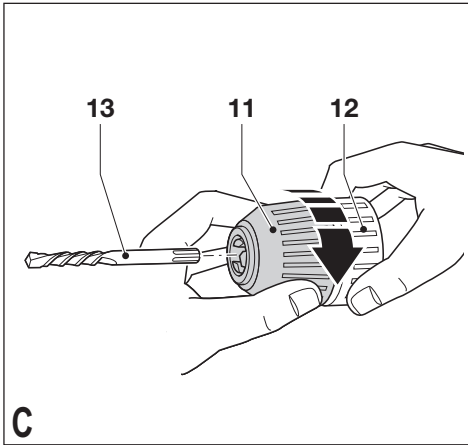
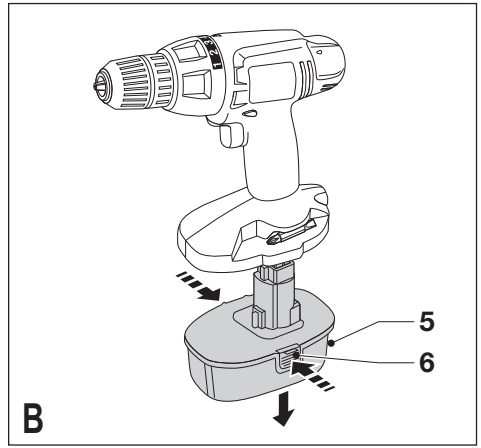
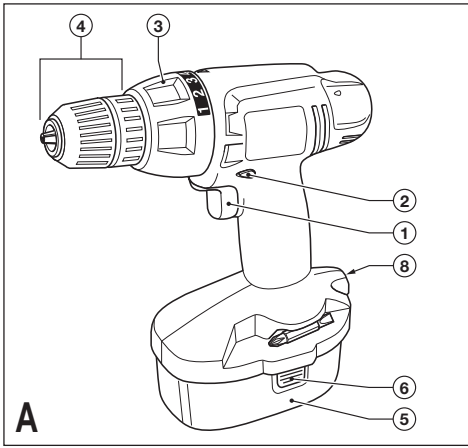
BLACK & DECKER®

www.blackanddecker.com



CD1201

English	3
简体中文	8
繁体中文	12
한국어	16
ภาษาไทย	20



CD1201

10MM CORDLESS DRILL/ DRIVER

TECHNICAL DATA

Cordless Drill/ Driver		CD1201
Voltage	V	12
No Load Speed	rpm	0-700
Max. Torque	Nm	8
Drilling Capacity		
- Wood/Steel	mm	25/10
- Chuck Capacity	mm	1.0-10
Weight	kg	0.94
Battery		
Voltage	V	12
Capacity	Ah	1.2
Weight	kg	0.47
Charger		
Approx. Charging Time	Hour	6

INTENDED USE

Your Black & Decker cordless drill/driver has been designed for screwdriving applications and for drilling in wood, metal and plastics. This tool is intended for consumer use only.

GENERAL SAFETY RULES

Warning! Read all instructions. Failure to follow all instructions listed below may result in electric shock, fire and/or serious injury.

Save all warnings and instructions for future reference. The term "power tool" in all of the warnings listed below refers to your mains operated (corded) power tool or battery operated (cordless) power tool.

1. Work area safety

- Keep work area clean and well lit.** Cluttered or dark areas invite accidents.
- Do not operate power tools in explosive atmospheres, such as in the presence of flammable liquids, gases or dust.** Power tools create sparks which may ignite the dust or fumes.
- Keep children and bystanders away while operating a power tool.** Distractions can cause you to lose control.

2. Electrical safety

- Power tool plugs must match the outlet. Never modify the plug in any way.** Do not use any adapter plugs with earthed (grounded) power tools. Unmodified plugs and matching outlets will reduce risk of electric shock.
- Avoid body contact with earthed or grounded**

surfaces, such as pipes, radiators, ranges and refrigerators. There is an increased risk of electric shock if your body is earthed or grounded.

- Do not expose power tools to rain or wet conditions.** Water entering a power tool will increase the risk of electric shock.
- Do not abuse the cord. Never use the cord for carrying, pulling or unplugging the power tool. Keep cord away from heat, oil, sharp edges or moving parts.** Damaged or entangled cords increase the risk of electric shock.
- When operating a power tool outdoors, use an extension cord suitable for outdoor use.** Use of a cord suitable for outdoor use reduces the risk of electric shock.
- If operating a power tool in a damp location is unavoidable, use a residual current device (RCD) protected supply.** Use of an RCD reduces the risk of electric shock.

3 Personal safety

- Stay alert, watch what you are doing and use common sense when operating a power tool. Do not use a power tool while you are tired or under the influence of drugs, alcohol or medication.** A moment of inattention while operating power tools may result in serious personal injury.
- Use personal protective equipment. Always wear eye protection.** Protective equipment such as dust mask, non-skid safety shoes, hard hat, or hearing protection used for appropriate conditions will reduce personal injuries.
- Prevent unintentional starting. Ensure the switch is in the off-position before connecting to power source and/or battery pack, picking up or carrying the tool.** Carrying power tools with your finger on the switch or energising power tools that have the switch on invites accidents.
- Remove any adjusting key or wrench before turning the power tool on.** A wrench or a key left attached to a rotating part of the power tool may result in personal injury.
- Do not overreach. Keep proper footing and balance at all times.** This enables better control of the power tool in unexpected situations.
- Dress properly. Do not wear loose clothing or jewellery. Keep your hair, clothing and gloves away from moving parts.** Loose clothes, jewellery or long hair can be caught in moving parts.
- If devices are provided for the connection of dust extraction and collection facilities, ensure these are connected and properly used.** Use of dust collection can reduce dust-related hazards.

4. Power tool use and care


- Do not force the power tool. Use the correct**

power tool for your application. The correct power tool will do the job better and safer at the rate for which it was designed.

- b. **Do not use the power tool if the switch does not turn it on and off.** Any power tool that cannot be controlled with the switch is dangerous and must be repaired.
 - c. **Disconnect the plug from the power source and/or the battery pack from the power tool before making any adjustments, changing accessories, or storing power tools.** Such preventive safety measures reduce the risk of starting the power tool accidentally.
 - d. **Store idle power tools out of the reach of children and do not allow persons unfamiliar with the power tool or these instructions to operate the power tool.** Power tools are dangerous in the hands of untrained users.
 - e. **Maintain power tools. Check for misalignment or binding of moving parts, breakage of parts and any other condition that may affect the power tool's operation. If damaged, have the power tool repaired before use.** Many accidents are caused by poorly maintained power tools.
 - f. **Keep cutting tools sharp and clean.** Properly maintained cutting tools with sharp cutting edges are less likely to bind and are easier to control.
 - g. **Use the power tool, accessories and tool bits etc. in accordance with these instructions, taking into account the working conditions and the work to be performed.** Use of the power tool for operations different from those intended could result in a hazardous situation.
5. **Battery tool use and care**
 - a. **Recharge only with the charger specified by the manufacturer.** A charger that is suitable for one type of battery pack may create a risk of fire when used with another battery pack.
 - b. **Use power tools only with specifically designated battery packs.** Use of any other battery packs may create a risk of injury and fire.
 - c. **When battery pack is not in use, keep it away from other metal objects like paper clips, coins, keys, nails, screws, or other small metal objects that can make a connection from one terminal to another.** Shorting the battery terminals together may cause burns or a fire.
 - d. **Under abusive conditions, liquid may be ejected from the battery; avoid contact. If contact accidentally occurs, flush with water. If liquid contacts eyes, additionally seek medical help.** Liquid ejected from the battery may cause irritation or burns.
 6. **Service**
 - a. **Have your power tool serviced by a qualified repair person using only identical replacement**

parts. This will ensure that the safety of the power tool is maintained.

ADDITIONAL POWER TOOL SAFETY WARNINGS

-  **Warning!** Additional safety warnings for impact drills.
- **Wear ear protectors with impact drills.** Exposure to noise can cause hearing loss.
 - **Use auxiliary handles supplied with the tool.** Loss of control can cause personal injury.
 - **Hold power tool by insulated gripping surfaces when performing an operation where the cutting accessory may contact hidden wiring.** Cutting accessory contacting a "live" wire may make exposed metal parts of the power tool "live" and could give the operator an electric shock.
 - **Use clamps or another practical way to secure and support the workpiece to a stable platform.** Work by hand or against your body leaves it unstable and may lead to loss of control.
 - Before drilling into walls, floors or ceilings, check for the location of wiring and pipes.
 - Avoid touching the tip of a drill bit just after drilling, as it may be hot.
 - This tool is not intended for use by persons (including children) with reduced physical, sensory or mental capabilities, or lack of experience and knowledge, unless they have been given supervision or instruction concerning use of the appliance by a person responsible for their safety. Children should be supervised to ensure that they do not play with the appliance.
 - The intended use is described in this instruction manual. The use of any accessory or attachment or performance of any operation with this tool other than those recommended in this instruction manual may present a risk of personal injury and/or damage to property.

ADDITIONAL SAFETY INSTRUCTIONS FOR BATTERIES AND CHARGERS

Batteries

- Never attempt to open for any reason.
- Do not expose the battery to water.
- We recommend taking battery off the charger when fully charged.
- Do not store in locations where the temperature may exceed 40°C.
- Charge only at ambient temperatures between 4°C and 40°C.
- Charge only using the charger provided with the tool.
- When disposing of batteries, follow the instructions given in the section "Protecting the environment".
- Leaks from battery cells can occur under extreme conditions.

⚠ WARNING! The battery fluid, a 25-30% solution of potassium hydroxide, can be harmful. In case of skin contact:

(a) wash quickly with soap and water; or (b) neutralize with a mild acid such as lemon juice or vinegar. If the liquid gets into the eyes, flush them immediately with clean water for a minimum of 10 minutes. Seek medical attention.



- Do not incinerate the battery.
- Do not charge damaged battery packs.
- **Fire hazard!** Avoid short-circuiting the contacts of a detached battery.

Chargers

- Use your Black & Decker charger only to charge the battery in the tool with which it was supplied. Other batteries could burst, causing personal injury and damage. Do not probe the charger.
- This appliance is not intended for use by persons (including children) with reduced physical, sensory or mental capabilities, or lack of experience and knowledge, unless they have been given supervision or instruction concerning use of the appliance by a person responsible for their safety.
- Children should be supervised to ensure that they do not play with the appliance.
- If the supply cord of the charger is damaged, it must be replaced by the manufacturer, its service agent or similarly qualified persons in order to avoid a hazard.

Labels on the charger

The following symbols may be found on your charger:




-  Your charging base is double insulated; therefore no earth wire is required. Always check that the power supply corresponds to the voltage on the rating plate.
-  The charging base is intended for indoor use only.

SPECIFIC SAFETY RULES

- **Hold tool by insulated gripping surfaces when performing an operation where the tool may contact hidden wiring.** Contact with a “live” wire will also make exposed metal parts of the tool “live” and shock the operator.
- **When working on a ladder or on scaffolding be sure to lay the tool down on its side when not in use.** Some tools with large battery packs will stand upright but may be easily knocked over.
- Avoid touching the tip of a drill bit just after drilling, as it may be hot.
- When fitting and changing accessories, always use the instructions supplied with the accessory.
- Should your tool develop a fault, do not try to fix it yourself, but take it to one of our authorized repair agents.

SYMBOLS

The label on your tool may include the following symbols:

V	volts
A	Amperes
Hz	Hertz
W	Watts
min.	Minutes
~	Alternating current
≡	Direct current
no	No load speed
	Class II Construction
	Earthing terminal
	Safety alert symbol
.../min	Revolutions or reciprocation per minute
.../bpm	Beats per minute

FEATURES (fig. A)

1. Variable speed switch
2. Forward/reverse slider
3. Mode selector/torque adjustment collar
4. Keyless chuck
5. Battery
6. Battery release buttons
7. Charger
8. Charger connector
9. Charger plug

ASSEMBLY

⚠ Warning! Before assembly, remove the battery from the tool.

Fitting and removing the battery (fig. B)

- To fit the battery (5), line it up with the receptacle on the tool. Slide the battery into the receptacle and push until the battery snaps into place.
- To remove the battery, push the two release buttons (6) simultaneously while at the same time pulling the battery out of the receptacle.

Fitting and removing a drill bit or screwdriver bit (fig. C)

- ⚠ Warning!** First remove the battery from the tool.
- This tool is fitted with a keyless chuck to allow for an easy exchange of bits.
 - Lock the tool by setting the forward/reverse slider (2) to the centre position.
 - Open the chuck by turning the front part (11) with one hand while holding the rear part (12) with the other (fig. C).
 - Insert the bit shank (13) into the chuck.
 - Firmly tighten the chuck by turning the front part (11) with one hand while holding the rear part (12) with the other.

Removing and refitting the chuck (fig.D)

- Open the chuck as far as possible.
- Remove the chuck retaining screw by turning it clockwise using a screwdriver.
- Tighten an Allen key (14) into the chuck and strike it with a hammer as shown.
- Remove the Allen key.
- Remove the chuck by turning it counterclockwise.
- To refit the chuck, screw it onto the spindle and secure it with the chuck retaining screw.

USE

⚠Warning! Let the tool work at its own pace. Do not overload.

Charging the battery

The battery needs to be charged before first use and whenever it fails to produce sufficient power on jobs that were easily done before. When charging the battery for the first time, or after prolonged storage, it will only accept an 80% charge.

After several charge and discharge cycles, the battery will attain full capacity. The battery may become warm while charging; this is normal and does not indicate a problem.

⚠Warning! Do not charge the battery at ambient temperatures below 4 °C or above 40 °C. Recommended charging temperature: approx. 24 °C.

Charger without charging base (fig. E)

- To charge the battery, make sure that it is fitted on the drill.
- Insert the charger plug (9) into the connector (8).
- Plug in the charger.
- Switch on at the mains. After normal use, a charging time of 3 hours will provide sufficient power for most applications. However, further charging for up to 6 hours could significantly increase the use time, depending on the battery and charging conditions.
- Disconnect the tool from the charger.

⚠Warning! Do not use the tool while it is connected to the charger.

Selecting the direction of rotation

For drilling and for tightening screws, use forward (clockwise) rotation. For loosening screws or removing a jammed drill bit, use reverse (counterclockwise) rotation.

- To select forward rotation, push the forward/reverse slider (2) to the left.
- To select reverse rotation, push the forward/reverse slider to the right.
- To lock the tool, set the forward/reverse slider into

the centre position.

Selecting the operating mode or torque (fig. F)

This tool is fitted with a collar to select the operating mode and to set the torque for tightening screws. Large screws and hard workpiece materials require a higher torque setting than small screws and soft workpiece materials. The collar has a wide range of settings to suit your application.

- For drilling in wood, metal and plastics, set the collar (3) to the drilling position by aligning the symbol with the marking (15).
- For screwdriving, set the collar to the desired setting. If you do not yet know the appropriate setting, proceed as follows:
 - Set the collar (3) to the lowest torque setting.
 - Tighten the first screw.
 - If the clutch ratchets before the desired result is achieved, increase the collar setting and continue tightening the screw. Repeat until you reach the correct setting. Use this setting for the remaining screws.

Switching on and off**Variable speed switch**

- To switch the tool on, press the variable speed switch (1). The tool speed depends on how far you press the switch.
- To switch the tool off, release the variable speed switch.

Hints for optimum use**Drilling**

- Always apply a light pressure in a straight line with the drill bit.
- Just before the drill tip breaks through the other side of the workpiece, decrease pressure on the tool.
- Use a block of wood to back up workpieces that may splinter.
- Use spade bits when drilling large diameter holes in wood.
- Use HSS drill bits when drilling in metal.
- Use masonry bits when drilling in soft masonry.
- Use a lubricant when drilling metals other than cast iron and brass.
- Make an indentation using a centre punch at the centre of the hole to be drilled in order to improve accuracy.

Screwdriving

- Always use the correct type and size of screwdriver bit.
- If screws are difficult to tighten, try applying a small amount of washing liquid or soap as a lubricant.
- Always hold the tool and screwdriver bit in a straight line with the screw.

MAINTENANCE

Your Black & Decker power tool has been designed to operate over a long period of time with a minimum of maintenance. Continuous satisfactory operation depends upon proper tool care and regular cleaning.

⚠ Warning! Before performing any maintenance on the tool, remove the battery from the tool. Unplug the charger before cleaning it.

- Regularly clean the ventilation slots in your tool using a soft brush or dry cloth.
- Regularly clean the motor housing using a damp cloth.
- Do not use any abrasive or solvent-based cleaner.
- Regularly open the chuck and tap it to remove any dust from the interior.

This tool is not user-serviceable. Take it to an authorized Black & Decker repair agent for service.

Your charger does not require any maintenance apart from regular cleaning.

IMPORTANT

To ensure product SAFETY and RELIABILITY, repairs, maintenance and adjustment (other than those listed in this manual) should be performed by authorized service centers or other qualified organizations, always using identical replacement parts. Unit contains no user serviceable parts inside.

CLEANING

⚠ WARNING: Blow dirt and dust out of the main housing with dry air as often as dirt is seen collecting in and around the air vents. Wear approved eye protection and approved dust mask when performing this procedure.

⚠ WARNING: Never use solvents or other harsh chemicals for cleaning the non-metallic parts of the tool. These chemicals may weaken the materials used in these parts. Use a cloth dampened only with water and mild soap. Never let any liquid get inside the tool; never immerse any part of the tool into a liquid.

CHARGER CLEANING INSTRUCTIONS

⚠ WARNING: Shock hazard. Disconnect the charger from the AC outlet before cleaning. Dirt and grease may be removed from the exterior of the charger using a cloth or soft non-metallic brush. Do not use water or any cleaning solutions.

ACCESSORIES

The performance of any power tool is dependent upon the accessory used. Black & Decker accessories are engineered to high quality standards and are designed to enhance the performance of power tool.

Black & Decker offers a large selection of accessories available at our local dealer or autho-rized service center at extr a cost.

⚠ CAUTION: The use of any other accessory not recommended for use with this tool could be hazardous.

PROTECTING THE ENVIRONMENT

♻ Separate collection. This product must not be disposed of with normal household waste. Should you find one day that your Black & Decker product needs replacement, or if it is of no further use to you, do not dispose of it with household waste. Make this product available for separate collection.

♻ Separate collection of used products and packaging allows materials to be recycled and used again. Re-use of recycled materials helps prevent environmental pollution and reduces the demand for raw materials. If necessary, contact your local municipality for proper disposal instructions in your city/town.

BATTERIES

Black & Decker batteries can be recharged many times. At the end of their useful life, discard batteries with due care for our environment:

Run the battery down completely, and then remove it from the tool.

NiCd and NiMH batteries are recyclable. Take them to a local recycling station.

SERVICE INFORMATION

Black & Decker offers a full network of company-owned and authorized service locations throughout Asia. All Black & Decker Service Centers are staffed with trained personnel to provide customers with efficient and reliable power tool service. Whether you need technical advice, repair, or genuine factory replacement parts, contact the Black & Decker location nearest to you.

NOTES

- Black & Decker's policy is one of continuous improvement to our products and, as such, we reserve the right to change product specifications without prior notice.
- Standard equipment and accessories may vary by country.
- Product specifications may differ by country.
- Complete product range may not be available in all countries. Contact your local Black & Decker dealers for range availability.

CD1201

10毫米充电电钻 / 起子


技术参数

充电电钻 / 起子		CD1201
电压	伏	12
空载速度	转 / 分	0-700
最大扭矩	牛顿米	8
最大钻孔直径		
- 木材/钢铁	毫米	25/10
- 夹头尺寸	毫米	1.0-10
重量	公斤	0.94
电池		
电压	伏	12
容量	安时	1.2
重量	公斤	0.47
充电器		
充电时间	小时	6

设计用途

您的百得充电电钻/起子设计用于螺丝安装以及在木材、钢材和塑料上钻孔。本工具仅供消费者使用。

一般安全规则

 **警告!** 阅读说明没有按照以下列举的说明而使用或操作将导致触电、着火和/或严重伤害。在所有以下列举的警告中术语“电动”工具指市电驱动（有线）电动工具或电池驱动（无线）电动工具。

保存这些说明

a) 工作场地

- 保持工作场地清洁和明亮。混乱和黑暗的场地会引发事故。
- 不要在易爆环境，如有易燃液体、气体或粉尘的环境下操作电动工具。电动工具产生的火花会点燃粉尘或气体。
- 让儿童和旁观者离开后操纵电动工具。分心会使你放松控制。

b) 电气安全

- 电动工具插头必须与插座相配。不能以任何方式改装插头。需接地的电动工具不能使用任何转换插头。未经改装的插头和相配的插座将减少触电危险。
- 避免人体接触接地表面，如管道、散热片和冰箱。如果你身体接地会增加触电危险。
- 不得将电动工具暴露在雨中或潮湿环境中。水进入电动工具将增加触电危险。
- 不得滥用电缆。绝不能用电缆搬运、拉动电动工具或拔出其插头。让电动工具远离热、油、锐边或运动部件。受损或缠绕的电缆会增加触电危险。

电危险。

- 当在户外使用电动工具时，使用适合户外使用的外接电缆。适合户外使用的电缆将减少触电危险。

c) 人身安全

- 保持警觉，当操作电动工具时关注所从事的操作并保持清醒。切勿在有疲倦、药物、酒精或治疗反应下操作电动工具。在操作电动工具期间精力分散会导致严重人身伤害。
- 使用安全装置。始终配戴护目镜。安全装置，诸如适当条件下的防尘面具、防滑安全鞋、安全帽、听力防护等装置能减少人身伤害。
- 避免突然启动。确保开关在插入插头时处于关闭位置。手指放在已接通电源的开关上或开关处于接通时插入头可能会导致危险。
- 在电动工具接通之前，拿掉所有调节钥匙或扳手。遗留在电动工具旋转零件上的扳手或钥匙会导致人身伤害。
- 手不要伸得太长。时刻注意脚下和身体平衡。这样在意外情况下能很好地控制电动工具。
- 着装适当。不要穿宽松衣服或佩带饰品。让你的头发、衣服和袖子远离运动部件。宽松衣服、佩饰或长发可能会卷入运动部件。
- 如果提供了与排屑装置、集尘设备连接用的装置，则确保他们连接完好且使用得当。使用这些装置可减少碎屑引起的危险。

d) 电动工具使用和注意事项

- 不要滥用电动工具，根据用途使用适当的电动工具。选用适当的设计额值的电动工具会使你工作有效、更安全。
- 如果开关不能接通或关断工具电源，则不能使用该电动工具。不能用开关来控制的电动工具是危险的且必须进行修理。
- 在进行任何调节、更换附件或贮存电动工具之前，必须从电源上拔掉插头和/或将电池盒脱离电源。这种防护性措施将减少电动工具突然启动的危险。
- 将闲置电动工具贮存于儿童所及范围之外，并且不要让不熟悉电动工具或对这些说明不了解的人操作电动工具。电动工具在未经训练的用户手中是危险的。
- 保养电动工具。检查运动部件的安装偏差或卡住、零件破损情况和影响电动工具运行的其它条件。如有损坏，电动工具必须在使用前修理好。许多事故由维护不良的电动工具引发。
- 保持切削刀具锋利和清洁。保养良好的有锋利切削刃的刀具不易卡住而且容易控制。
- 按照使用说明书以及打算使用的电动工具的特殊类型要求的方式，考虑作业条件和进行的作业来使用电动工具、附件和工具的刀头等。电动工具用作那些与要求不符的操作可能会导致危险情况。

e) 维修

1. 将你的电动工具送交专业维修人员，必须使用同样的备件进行更换。这样确保所维修的电动工具的安全性。

电动工具的附加安全守则



警告！ 冲击电钻附加安全警告

- 使用冲击电钻时请佩戴听力保护器。噪音会损伤听力。
- 请使用电钻随附的辅助手柄。工具失控会导致人身伤害。
- 如果在执行操作时钻具可能会接触隐藏的电线，请握住绝缘手柄表面。钻具如果接触到“带电”导线，电动工具金属部件表面就会“带电”并使操作人员触电。
- 使用夹具或采取其它可行的方法，将工件固定、支撑到稳定的平台上。手持或用身体顶住工件都是不稳定的，会导致操作失控。
- 在墙上钻孔之前，请检查电线和钢管位置。
- 不要在钻孔后立刻触碰可能还带热的钻头尖端。
- 本工具不适合体力、感觉或智力不足，或者缺乏经验及知识的人员（包括小孩）使用，除非负责他们安全的人员已经为他们提供关于使用此器具的监督或指示。必须监督小孩，确保他们没有耍玩器具。
- 工具的预期用途在说明手册中描述。除了本说明手册中所建议的之外，使用其他任何附件或附加装置或任何操作的性能，可能存在人身伤害和/或财产损害的危险。

电池及充电器的附加安全守则

电池

- 任何情况下，均不得试图打开电池。
- 不得触水。
- 电池充满电后，建议从充电器上取下。
- 不得存放于温度可能超过40°C的地方。
- 仅在4°C至40°C的室温下充电。
- 仅使用工具的原装充电器充电。
- 弃置电池时，请遵守“保护环境”部分的规定。
- 在极端条件下，电池会发生泄露。电池的电解液为25~30%的氢氧化钾溶液，可能会造成伤害。如与之有皮肤接触：(a) 请立即用肥皂和清水冲洗；或 (b) 用柠檬汁或醋等弱酸中和。如果不慎进入眼睛，请立即用清水冲洗至少10分钟，然后就医。切勿焚烧电池。
- 已损坏的电池不得充电。
- 火灾危险！请避免电池电极短路。

充电器

- 仅可使用百得充电器给工具的原装电池充电。其它电池可能爆炸，造成人身伤害或物品损坏。
- 在充电完成后给第二块电池充电前，充电器需

要大约15分钟时间复位。建议复位时拔出充电器插头以便缩短复位时间。

- 切勿试图给非充电电池充电。
- 电线一旦损坏，请立即更换。
- 不得触水。
- 不得打开充电器。
- 不得刺戳充电器。
- 本器具不是给体力、感知能力和智力低下或者缺乏经验和知识的人（包括小孩）使用的，除非他们在负责他们安全的人监管或指导下使用本器具。
- 要看管儿童确保他们不会把本器具当作玩具。
- 如果充电器的电源线损坏了，必须由制造商或其服务商或者类似有资质的人员进行更换以防止发生危险。

充电器上的标志

充电器上有如下标志：



本充电座为双重绝缘，因此无须接地线。使用前，切记检查并确保电源电压与铭牌上的使用电压相符。



本充电座仅限室内使用。

特殊安全守则

- 使用电动工具时，应拿著其绝缘表面，因机具可能会接触到隐藏的电源线或自身电线。接触带电的电线，可使工具的金属露部件也带电，并电击操作者。
- 在爬梯或脚手架上工作时，请确保在不用时侧放工具。一些带大电池的工具有可以竖直放置，但很容易倾倒。
- 刚钻完时，钻头可能很烫，应避免接触。
- 安装或更换配件时，切记遵守配件上的使用指南。
- 工具故障时，切勿试图自行修理。请把工具送往我们的授权维修点维修。

标志

工具上的铭牌可能包含以下标志：

- V伏特
- A安培
- Hz赫兹
- W瓦特
- min分钟
- ~交流电
-直流电
- n_0 空载速度
-II级 双重绝缘
-接地端子
-安全警示标志

.../min.. 每分钟的旋转或往复次数

.../bpm..每分钟的击打次数

部件 (图A)

1. 变速开关
2. 正/反转滑块
3. 模式选择器/扭矩调节轴环
4. 无锁匙夹头
5. 电池
6. 电池释放按钮
7. 充电器
8. 充电器连接器
9. 充电器插头

装配

 **警告!** 装配之前, 请取出工具内的电池。

安装及取出电池 (图B)

- 要安装电池(5), 请将它与工具上的插座对齐。将电池滑入插座, 然后推动直到电池卡入定位。
- 要取出电池, 请同时按下两个释放按钮(6)并将电池从插座中拉出。

安装及卸下钻头或螺丝起子头 (图C)


 **警告!** 请先取出工具内的电池。

- 本工具配备无锁匙夹头, 允许轻松更换钻头。
- 将正/反转滑块(2)拨到中间位置将工具锁定。
- 用一只手握住后面部分(12), 然后用另一只手转动前面部分(11)以打开夹盘(图C)。
- 将钻头杆(13)插入夹头。
- 用一只手握住后面部分(12), 然后用另一只手牢牢转紧前面部分(11)。

卸下及装回夹头 (图D)

- 尽可能快的打开夹头。
- 用螺丝起子顺时针转动夹头的固定螺钉将它取出。
- 将内六角起子(14)转紧到夹头内, 然后用锤子打击, 如图所示。
- 取出内六角起子。
- 逆时针转动夹头将它取出。
- 要装回夹头, 可将它旋入心轴, 然后用夹头固定螺钉将它锁紧。


使用

 **警告!** 请让工具以它自己的速度工作。切勿使它过载。

电池充电


电池在首次使用之前, 以及无法像从前一样对工作轻松提供足够的电量时, 都需要充电。首次或在长时间存储后为电池充电时, 它将只能接受80%的充电。数次充电和放电循环之后, 电池将可以达到完整容量。电池在充电时可能会变热; 这是正常现象, 而

且并不表示出现问题。

 **警告!** 请勿在环境温度低于4°C或高于40°C的情况下为电池充电。
建议的充电温度: 约24°C。

不使用充电底座充电 (图E)

- 要为电池充电, 请确定将它安装到电钻中。
- 将充电插头(9)插入连接器(8)。
- 插入充电器。
- 打开电源。在正常使用后, 3个小时的充电时间就可以为大多数的用途提供足够的电量。但是, 进一步充电到6小时可将大大增加使用时间, 根据电池和充电条件而定。
- 断开工具与充电器的连接。

 **警告!** 当工具连接至充电器时, 切勿使用工具。

选择旋转方向

如果要钻孔和转紧螺钉, 使用向前(顺时针)旋转。如果要转松螺钉或取出卡住的钻头, 使用向后(逆时针)旋转。

- 要选择向前旋转, 将正/反转滑块(2)拨到左边。
- 要选择向后旋转, 将正/反转滑块(2)拨到右边。
- 要锁定工具, 将正/反转滑块(2)拨到中间位置。

选择操作模式或扭矩 (图F)

本工具配备用于选择操作模式以及设置扭矩以紧固螺钉的轴环。大螺钉和坚硬工件材料, 比小螺钉和柔软工件材料需要更高的扭矩设置。轴环具备各种设置可适合您的各种用途。

- 要在木材、金属和塑料上钻孔, 可通过对齐符号和标记(15), 将轴环(3)设置到钻孔位置。
- 要执行螺旋操作, 将轴环设置到所需设置。如果您尚未知道应用设置, 请执行下列操作:
 - 将轴环(3)设置到最低的扭矩设置。
 - 转紧首个螺钉。
 - 如果离合器在达到所需结构之前松脱振动, 提高轴环设置并继续转紧螺钉。重复直到您达到正确设置为止。对其余螺钉使用此设置。

打开和关闭

变速开关

- 要打开工具电源, 请按下变速开关(1)。工具转速取决于您按下开关的程度。
- 要关闭工具电源, 请放开变速开关。

最佳使用的技巧

钻孔

- 始终应用与钻头方向成一直线的轻微力度。
- 在钻头快要刺破工件的另一面时, 降低施加到工具上的力度。
- 用木块垫住可能会碎裂的工件。


- 在木材上进行大直径钻孔时，请使用扁钻头。
- 在金属上钻孔时，请使用HSS钻头。
- 在柔软的砖石上钻孔时，请使用砖石钻头。
- 在铸铁和黄铜材料以外的金属上钻孔时，请使用润滑剂。
- 在要钻开的洞孔中央使用中央冲孔来制造一个凹痕可改进精度。

拧螺丝

- 始终使用正确类型和尺寸的螺丝起子头。
- 如果螺钉难以转紧，请尝试用小量洗涤剂或肥皂作为润滑剂。
- 工具必须始终与螺丝起子头和螺钉成一直线。

维护

您的百得电动工具设计精良，可以长期使用，仅需极少维护。要连续获得令人满意的工作效果，需要您做合适的保养和定期的清洁。

 **警告！** 维护工具前，必须取下电池；清洁充电器前，请拔下插头。

- 定期使用软刷或干布清洁工具的通风槽。
- 定期使用湿布清洁马达外壳，但不得使用任何研磨性或溶剂型清洁剂。
- 定期打开并轻拍夹头，清除内部灰尘。


本工具不可由用户进行维修。请将工具交给授权的百得修理机构。


除了定期清洁外，充电器不须其它维护。

重要说明


为确保产品的安全性和可靠性，应由授权的维修中心或其它合格组织修理、维护和调整（非本手册所列项目）机器，并始终使用相同的备件。装置内不含有用户可维修部件。

清洁

 **警告：** 一旦通风口及其周围积聚可见的粉尘，请即用干燥的压缩空气吹走主机外壳内的粉尘和灰尘。进行这一步骤时，请佩戴经认可的护目装备和认可的面罩。

 **警告：** 切勿使用溶剂或其它刺激性化学品来清洁工具的非金属部件。这些化学品可能削弱零件中使用的材料。只能使用抹布蘸中性肥皂水进行清洁。勿使任何液体进入工具；勿使工具的任何部分浸入液体中。


充电器清洁说明

 **警告：触电危险。** 清洁之前，请把充电器与交流电插座断开。可使用布或软的非金属刷，清除充电器内部的粉尘和油脂。不得使用水或任何清洁溶液。


配件

所有电动工具的性能都是依赖使用得当的配件的，百得的配件都是经精心设计，并以最佳物料制造、再经无数次严谨的测试合格才推出市场的；故其质量等一等，务求与电动工具相辅相成。购买百得配件会令您的百得电动工具如虎添翼。


百得有一系列的配件，可以在当地的经销商及维修中心选购。

 **注意：** 本电动工具使用任何未经推荐的配件，均可能导致危险。

保护环境

 分类回收。此类产品不得和普通家庭垃圾一起处理。

如果某一天您的百得产品需要更换或不再使用，请不要把它和家庭垃圾一起处理。把该产品单独分类回收。

 旧产品和旧包装的分类回收使材料能够得以再循环和再利用。再循环材料的重新利用有助于防止环境污染和减少原料需求。

必要时，请与本市/镇市政联系，以咨询相关的处理信息。

电池

百得电池可以多次充电使用。在其使用寿命结束时，请务必小心处理，以保护环境：

将电完全用尽，从工具上取下电池。

NiCd和NiMH电池是可以回收的。把它们送往本地的回收站。

维修信息

百得为您提供我们在全亚洲公司所有的和公司授权的维修点网络。所有的百得维修中心均配备训练有素的人员，可为客户提供高效可靠的电动工具维修。无论您需要的是技术建议、修理还是原厂备件，均可联系最近的百得维修点为您服务。

注意事项

- 百得实行的是对我们的产品持续改进的政策；因此，我们保留不另行通知即可更改产品规格的权利。
- 标准装置和配件因国家而异。
- 产品规格会按国家而有所不同。
- 完整的产品系列不一定在所有的国家均可用。请联系您当地的百得经销商，咨询产品系列的可用性。

CD1201 10MM充電式電鑽起子機

技術資料

充電式電鑽起子機

電壓	伏特	12
空載速度	轉/分	0-700
最大扭矩	奈米	8
鑽孔效能		
- 木材/鋼材	公釐	25/10
- 夾頭尺寸	公釐	1.0-10
重量	千克	0,94
電池規格		
電壓	伏特	12
容量	Ah	1,2
重量	千克	0,47
充電器		
大約充電時間	小時	6

設計用途

您的百得充電式電鑽起子機設計用於螺旋應用以及在木材、鋼材和塑膠上鑽孔。本工具只供消費者使用。

一般安全規則



警告！請閱讀所有指示。不遵循下列的所有指示可能會導致觸電、火災及/或嚴重傷害。

請妥善保存所有的警告和操作手冊以備將來閱讀。下列所有警告中的名詞「電動工具」是指電源驅動（插電）電動工具，或者電池驅動（充電）電動工具。

1. 工作場地安全

- 保持工作場地清潔和明亮。混亂或黑暗的場地會引發事故。
- 不要在易燃環境，如有易燃液體、氣體或塵埃的環境中操作電動工具。電動工具產生的火花會點燃塵埃或氣體。
- 請等待兒童和旁觀者離開之後才操縱電動工具。分心會導致您疏忽於控制。

2. 電力安全

- 電動工具插頭必須與插座相符。切勿以任何方式改裝插頭。需接地的電動工具不能使用任何配接器插頭。未經改裝的插頭和相符的插座可以減少觸電危險。
- 避免人體接觸接地表面，如管道、散熱片、爐竈和冰箱。若您的身體接地可增加觸電危險。
- 不得將電動工具暴露在雨中或潮濕環境中。水進入電動工具會增加觸電危險。
- 請勿濫用電線。切勿使用電線來搬運、拉動電動工具或拔出插頭。讓電線遠離熱、油、銳邊或活動部件。受損或纏繞的電線可增加觸電危險。

- 若要在戶外使用電動工具，請使用適合戶外使用的延長電線。使用適合戶外使用的電線可減少觸電危險。
 - 若必須在潮濕場合使用電動工具，請使用漏電保護器(RCD)。使用RCD可降低觸電危險。
- 人身安全**
 - 保持警覺；在操作電動工具時，請留意所執行的操作並按照一般的程式執行。切勿在疲倦，或受到藥物、酒精或治療的影響下操作電動工具。操作電動工具期間注意力分散會導致嚴重人身傷害。
 - 使用個人防護裝置。始終佩戴護目鏡。防護裝置，例如在適當條件下可使用的防塵面具、防滑安全鞋、安全帽或聽力保護等裝置可減少人身傷害。
 - 避免意外啓動。連接電源及/或電池組、檢取或搬運電動工具之前，請確定開關處於off（關閉）位置。搬運電動工具時若將手指放在開關上，或是在接通開關電源時插入插頭都會引發危險。
 - 接通電動工具之前，請卸下所有的調整鑰匙或扳手。遺留在電動工具旋轉零件上的扳手或要使用會導致人身傷害。
 - 不要過度伸張雙手。時刻注意腳下和身體的平衡。如此即可在發生意外的情況下更好地控制電動工具。
 - 適當穿著。不要穿寬鬆衣服或佩戴飾品。讓您的頭髮、衣服和手套遠離活動部件。寬鬆衣服、佩飾或長髮可能會捲入活動部件。
 - 若配備用於連接排屑裝置、集塵設備的裝置，請確定正確連接和使用這些裝置。使用集塵設備可減少與塵埃有關的危險。
 - 電動工具的使用與注意事項**
 - 不要超負荷使用電動工具。根據您的用途使用適當的電動工具。使用電動工具在其設計可負荷的應用內，會讓您更有效、更安全地執行工作。
 - 若開關不能開啓或關閉電源，請勿使用該電動工具。不能用開關來控制的電動工具將存在危險，因此必須進行修理。
 - 在執行任何調整、更換部件或儲存之前，必須從電源上拔掉插頭及/或卸下電池組。這類防護性措施可降低電動工具意外啓動的風險。
 - 將閒置的電動工具儲存在兒童無法接觸的地方，並且不要讓不熟悉電動工具或對這些使用指示不瞭解的人員操作電動工具。電動工具在未經培訓的使用者手中會發生危險。
 - 維護電動工具。檢查活動部件是否對準或卡住、破損情況以及是否存在影響電動工具運行的其他情況。若有損毀，必須在使用之前修理電動工具。許多事故都是由於欠缺維護電動工具所導致。
 - 保持刀具鋒利和清潔。妥善維護、切勿鋒利的刀具不會輕易卡住並可更輕鬆控制。
 - 遵循使用指示以及工作條件和所要執行的工作使用電動工具、配件和工具刀頭等。不按照設計目的使用電動工具會導致危險。
 - 電池工具的使用與注意事項**
 - 只能使用製造廠商指定的充電器為電池充電。使用僅適合一種電池組的充電器為其他類型的電池

組充電會導致火災危險。

- b. 請使用原廠的電動工具電池組。使用其他非原廠的電池組會導致人身傷害和火災危險。
 - c. 不使用電池組時，請將其遠離如迴紋針、硬幣、鑰匙、釘子、螺絲以及其他可連通電池兩極的金屬物品。將電池兩極短路會導致灼傷或火災。
 - d. 濫用電池的情況下，液體會從電池中噴出；避免與液體接觸。若不小心接觸液體，請用清水沖洗。若液體噴濺到眼睛上，沖洗之後還要進行治療。從電池噴出的液體會刺激皮膚或造成灼傷。
6. 檢修
- a. 本電動工具必須由合格的維修人員並只採用相同的原廠零件來執行檢修。這將確保電動工具的安全性。

電動工具之附加安全警告



警告！震動電鑽之附加安全警告

- 請在使用震動電鑽時佩戴聽力保護器。噪音會使聽力受損。
- 請使用電鑽隨附的輔助手柄。工具失控會導致人身傷害。
- 若在執行操作時切削配件可能會接觸隱藏的電線，請從絕緣手柄表面握住電動工具。若切削配件接觸到「帶電」導線，電動工具金屬部件表面就會「帶電」，從而導致操作人員觸電。
- 使用夾具或採取其他可行的方法，將工件固定、支撐到穩定的平台上。手持或用身體頂住工件都不是穩定的，並會導致操作失控。
- 在牆上鑽孔之前，請檢查電線和鋼管位置。
- 不要在鑽孔後立刻碰觸可能還帶熱的鑽頭尖端。
- 體力、感覺或智力不足，或者缺乏經驗及知識的人員（包括小孩）不適合使用本工具，除非負責他們安全的人員已經為他們提供關於使用此器具的監督或指示。必須監督小孩，確保他們沒有耍弄器具。
- 工具的設計用途在本說明書中描述。除了本說明書中所建議的之外，使用其他任何配件或附加裝置或任何操作的效能，可能會導致人身傷害及/或財產損害的危險。

電池和充電器之附加安全指示

電池

- 不論是因為任何理由，都不要嘗試打開電池。
- 請勿將電池暴露在水中。
- 我們建議在完全充電之後，將電池從充電器卸下。
- 不要將電池儲存在溫度可能超過40°C的地方。
- 只在環境溫度介於4°C和40°C之間的情況下充電。
- 只能使用本工具隨附的充電器為電池充電。
- 處置電池時，請遵循「保護環境」部份所提供的指示執行。
- 電池漏電會導致極端危險的情況。



警告！電池液是25-30%的氫氧化鉀溶液並且可以是有毒的。若與皮膚接觸：

- (a) 趕快用肥皂和水清洗，或
 - (b) 使用溫和的酸性物質將它中和，例如檸檬汁或醋。若電池液進入眼睛，立即用清潔的水沖洗至少10分鐘。尋求醫療幫助。
- 切勿焚化電池。
 - 不要對損毀的電池組充電。
 - 火災危險！避免使分開的電池接點短路。

充電器

- 只能使用工具隨附的百得充電器為工具內的電池充電。其他非原廠電池可能會爆裂，導致人身傷害和損害。請不要刺破充電器。
- 本器具不適合體力、感覺或智力不足，或者缺乏經驗及知識的人員（包括小孩）使用，除非負責他們安全的人員已經為他們提供關於使用此器具的監督或指示。
- 必須監督小孩，確保他們沒有耍弄器具。
- 若充電器的電源線損毀，必須讓製造廠商、檢修代理或類似合格人員更換以避免發生危險。

充電器上的標籤

您的充電器上可能會附帶下列符號：



您的充電底座採用雙重絕緣，因此無需要接地線。請務必檢查電源電壓是否與銘牌一致。



充電底座僅供室內使用。

特殊安全規則

- 若在執行操作時工具可能會接觸隱藏的電線，請從絕緣手柄表面握住工具。若接觸到「帶電」導線，電動工具金屬部件表面就會「帶電」，從而導致操作人員觸電。
- 若是在梯子或腳手架上工作，請確定不使用工具時將它從側面平放。一些具有大型電池組的工具可以直立但可能會輕易被撞倒。
- 不要在鑽孔後立刻碰觸可能還帶熱的鑽頭尖端。
- 安裝和更換配件時，請始終遵循配件提供的指示執行。
- 若您的工具出現故障，切勿嘗試自行修復，請將它送往我們的其中一家維修代理。

符號

您的工具上可能包含下列符號：

V伏特

A安培

Hz赫茲

W瓦特

min分鐘

~交流電

≡直流電

n₀空載速度

□II級結構

⊕接地終端

⚠安全警告符號。

...min.....每分鐘旋轉或鋸切數

...bpm.....每分鐘衝擊次數

功能部件 (圖A)

1. 變速開關
2. 正/反轉開關
3. 模式選擇器/扭力調整環
4. 無鎖匙夾頭
5. 電池
6. 電池釋放按鈕
7. 充電器
8. 充電器連接器
9. 充電器插頭

裝配



警告！ 裝配之前，請卸下工具內的電池。

安裝及卸下電池 (圖B)

- 若要安裝電池(5)，請將它與工具上的插座對齊。將電池滑入插座，然後推動直到電池卡入定位。
- 若要卸下電池，請同時按下兩個釋放按鈕(6)並將電池從插座中拉出。

安裝及卸下鑽頭或螺絲起子頭 (圖C)



警告！ 請先卸下工具內的電池。

- 本工具配備無鎖匙夾頭，允許輕鬆安裝鑽頭。
- 將正/反轉開關(2)撥到中間位置將工具鎖定。
- 用一隻手握住後面部分(12)，然後用另一隻手轉動前面部分(11)以打開夾頭 (圖C)。
- 將鑽頭(13)插入夾頭。
- 用一隻手握住後面部分(12)，然後用另一隻手牢牢轉緊前面部分(11)。

卸下及裝回夾頭 (圖D)

- 盡可能用最快的速度打開夾頭。
- 使用螺絲起子以順時針的方向移除夾頭內的固定螺釘。
- 將內六角起子(14)轉緊到夾頭內，然後用榔頭輕敲，如圖所示。
- 取出內六角起子。
- 逆時針轉動夾頭將它卸下。
- 若要裝回夾頭，可將它旋入軸心，然後用夾頭固定螺釘將它鎖緊。

使用



警告！ 請勿使用工具超出本身之設計速度。切勿使它過負載。

為電池充電

第一次使用電池之前，以及電池無法像從前一樣為作業輕鬆提供足夠的電量時，就需要充電。若在第一次或在長時間存儲後為電池充電，它將只能接受80%的充電。

數次充電和放電之後，電池將可以達到完整容量。電池在充電時可能會變熱；這是正常現象，而且並不表示出現問題。



警告！ 請勿在環境溫度低於4 °C或高於40 °C

的情況下為電池充電。

建議的充電溫度：約24 °C。

使用旅充充電器充電 (圖E)

- 若要使用旅充充電器，請確定將電池安裝到電鑽中。
- 將充電插頭(9)插入連接器(8)。
- 插入充電器。
- 打開電源。在正常使用之後，3個小時的充電時間即可為大多數的用途提供足夠的電量。然而，若進一步充電到6小時將可大大增加使用時間，這將取決於電池和充電條件而定。
- 拔下工具與充電器的連接。



警告！ 切勿在工具連接至充電器時使用工具。

選擇旋轉方向

若要鑽孔和轉緊螺釘，請使用向前（順時針）旋轉。若要轉鬆螺釘或取出卡住的鑽頭，請使用向後（逆時針）旋轉。

- 若要選擇向前旋轉，請將正反轉開關(2)撥到左邊。
- 若要選擇向後旋轉，請將正反轉開關(2)撥到右邊。
- 若要鎖定工具，請將正反轉開關(2)撥到中間位置。

選擇操作模式或扭力調整 (圖F)

本工具配備用於選擇操作模式以及扭力調整調整環。大螺釘和堅硬工件材料，比小螺釘和柔軟工件材料需要更高的扭力設定。調整環具備各種設定可適合您的各種用途。

- 若要在木材、金屬和塑膠上鑽孔，可透過對齊符號和標記(15)，將調整環(3)設定到鑽孔位置。
- 若要執行螺旋操作，將調整環設定到所需設定。若您尚不知道應用設定，請執行下列操作：
 - 將調整環(3)設定到最低的扭矩設定。
 - 轉緊第一個螺釘。
 - 若在未達預期的扭力前而此時離合器已鬆開（會聽到咔嗒聲），請提高扭力調整設定並繼續轉緊螺釘。重複直到您達到正確設定為止。對其餘螺釘使用此設定。

打開和關閉

變速開關

- 若要打開工具電源，請按下變速開關(1)。工具轉速取決於您按下開關的程度。
- 若要關閉工具電源，請放開變速開關。

最佳使用提示

鑽孔

- 始終應用與鑽頭方向成一直線的輕微力度。
- 在鑽頭快要刺破工件的另一面時，降低施加到工具上的力度。
- 用木塊墊住可能會碎裂的工件。
- 在木材上進行大直徑鑽孔時，請使用扁鑽頭。
- 在金屬上鑽孔時，請使用HSS鑽頭。
- 在柔軟的磚石上鑽孔時，請使用磚石鑽頭。
- 在鑄鐵和黃銅材料以外的金屬上鑽孔時，請使用潤滑劑。

- 在要鑽開的洞孔中央使用中央沖孔來製造一個凹痕可改進精度。

螺旋操作

- 始終使用正確類型和大小的螺絲起子頭。
- 若螺釘難以轉緊，請嘗試用小量洗滌液或肥皂作為潤滑劑。
- 必須使工具始終與螺絲起子頭和螺釘成一直線。

維護

您的百得電動工具採用卓越的設計，能夠長時間使用，並且只需最少的維護。若要持續獲得滿意的操作效果，需要您進行正確的維護和定期的清潔。

警告！ 在工具上執行任何維護工作之前，請卸下工具內的電池。清潔之前拔下充電器。

- 定期使用軟刷或幹布清潔工具內的通風槽。
- 定期使用濕布清潔電動機外殼。
- 請勿使用任何研磨性或基於溶劑的清潔劑。
- 定期打開夾頭並輕敲以去除內部的任何塵埃。

本工具不是使用者可檢修的裝置。若要進行檢修，請將它送往授權的工具總代理維修。

您的充電器除了定期清潔之外，並不需要執行任何維護操作。

重要說明

為了確保產品安全及可靠，所有的維修、維護和調整（除了本手冊中列出的之外），都應該由授權的檢修中心或合格機構執行，並始終使用相同的替換部件。本裝置內不含使用者可檢修的部件。

清潔

警告！ 警告：一旦通風口及其周圍積聚可見的塵埃，請立即使用乾燥的壓縮空氣吹掉主機外殼內的塵埃和灰塵。執行此步驟時，請佩戴經認可的護目裝備和認可的面罩。

警告！ 警告：切勿使用溶劑或其他刺激性化學品來清潔工具的非金屬部件。這些化學品可能削弱零件中使用的材料。只能使用抹布蘸中性肥皂水進行清潔。不要讓任何液體進入工具；不要讓工具的任何部分浸入液體中。

充電器清潔指示

警告！ 警告：觸電危險。清潔之前，從交流電插座上拔下充電器電纜。使用軟布或非金屬軟刷，去除充電器外部的污垢和油脂。請勿使用水或任何清潔劑。

配件

任何電動工具的效能都取決於所使用的配件。百得配件依據高品質標準進行規劃，並設計用於增強電動工具的效能。

百得在我們的當地代理商或授權的檢修中心備有廣泛

的配件系列供選購。

注意！ 使用任何不建議與本工具配合使用的其他配件會導致危險。

保護環境



個別收集。本產品必須與一般家庭廢物分開處置。

若您發現您的百得產品需要進行替換，或您已經不再需要使用這些產品，請不要將它們與家庭廢物一起處置。務必將本產品送往個別收集處。



個別收集用過的產品和包裝允許材料再迴圈利用。

重新使用迴圈利用的材料有助於防止環境污染，並減少原始材料的需求。如有需要，請聯絡您當地的自治市鎮局，瞭解您所在城市/市鎮的正確處置指示。

電池

百得電池可多次再充電。在電池使用壽命結束時，請妥善處置以保護我們的環境。

使電池完全放電，然後將它從工具中卸下。

鎳鎘和鎳氫電池。請將它們送往當地的回收站。

服務資訊

百得提供覆蓋整個亞洲的公司隸屬和授權服務地點。所有的百得服務中心都具有訓練有素的人員，為客戶提供高效和可靠的電動工具服務。不論您需要技術建議、維修或原廠替換部件，請聯絡最靠近您的百得地點。

備註

- 百得的政策是持續改善我們的產品，因此，我們保留隨時變更產品規格的權利，恕不另行通知。
- 標準設備和配件可能會根據不同的國家而有所不同。
- 產品規格可能會根據不同的國家而有所不同。
- 並非所有的國家都有提供完整的產品系列。如需各產品系列的供應情況，請聯絡您當地的百得代理商。

CD1201 10MM 충전 드릴/드라이버

기술 데이터

충전 드릴/드라이버	CD1201	
전압	V	12
무부하 속도	rpm	0-700
최대 토크	Nm	8
드릴 용량		
- 나무/금속	mm	25/10
- 철 크기	mm	1.0-10
중량	kg	0.94
배터리		
전압	V	12
용량	Ah	1.2
중량	kg	0.47
충전기		
대략적 충전 시간	시간	6

용도

Black & Decker 충전 드릴/드라이버는 나사를 조이거나 나무, 금속 및 플라스틱의 드릴 작업용으로 설계되었습니다. 본 공구는 소비자용입니다.

일반 안전 규정

경고! 모든 지시 사항을 읽으십시오. 아래 설명한 모든 지시 사항을 따르지 않으면 감전, 화재 및/또는 심각한 부상을 초래할 수 있습니다.

향후 참고할 수 있도록 모든 경고 및 지시 사항을 보관 해두십시오. 아래의 모든 경고에서 사용된 "전동 공구"라는 말은 주 공급 전원에 의해 전기공급되는(코드 있음) 전동 공구 또는 충전식(코드 없음) 전동 공구를 의미합니다.

1. 작업 안전 영역

- 작업 영역을 청결하게 그리고 조명을 밝게 유지하십시오.** 혼잡하거나 어두운 작업 영역에서는 사고가 발생하기 쉽습니다.
- 가연성 액체, 가스 또는 먼지 등이 있는 폭발성 대기에서 전동 공구를 사용하지 마십시오.** 전동 공구에 먼지나 연기를 발화시킬 수 있는 불꽃이 될 수 있습니다.
- 전동 공구로 작업하는 동안에는 어린이와 주변 사람들이 작업 영역에 가까이 들어오지 못하도록 하십시오.** 주변이 산만해져 통제력을 잃을 수 있습니다.

2. 전기 안전

- 전동 공구의 플러그는 콘센트와 형식이 일치해야 합니다.** 플러그를 어떤 방식으로든 절대 개조하지 마십시오. 접지된(지면 접지) 전동 공구와 함께 어댑터 플러그도 사용하지 마십시오. 개조되지 않은 플러그 및 형식이 일치하는 콘센트를 사용하면 감전 위험이 줄어듭니다.

- 파이프, 라디에이터, 렌지 및 냉장고 등과 같이 접지된 표면에 신체가 접촉하지 않도록 하십시오.** 신체가 접지되어 있으면 감전 위험이 높아집니다.
- 전동 공구를 비 또는 습한 환경에 노출하지 않도록 주의하십시오.** 전동 공구에 물이 들어가면 감전 위험이 높아집니다.
- 코드를 함부로 다루지 마십시오. 코드를 사용하여 전동 공구를 운반하거나 잡아당기거나 플러그를 빼지 마십시오.** 열, 오일, 날카로운 모서리 또는 움직임은 부품에서 멀리 떨어진 장소에 코드를 보관하십시오. 코드가 손상되거나 뒤얽혀 있으면 감전 위험이 높아집니다.
- 전동 공구를 실외에서 사용할 때는 실외 사용에 적합한 연장 코드를 사용하십시오.** 실외 사용에 적합한 코드를 사용하면 감전 위험이 줄어듭니다.
- 어쩔 수 없이 습한 장소에서 전동 공구를 사용해야 하는 경우에는 누전 차단기(RCD)로 보호된 전원 공급 장치를 사용하십시오.** RCD를 사용하면 감전 위험이 줄어듭니다.

3. 신체 안전 사항

- 전동 공구로 작업할 때는 방심하지 말고 작업에 주의 하면서 상체에 따르십시오.** 피곤한 상태이거나 약물, 술, 치료제를 복용한 상태에서는 전동 공구를 사용하지 마십시오. 전동 공구를 사용하는 중에 주의력을 잃어 순간적으로 부상을 당할 수 있습니다.
- 신체 보호 장비를 착용하십시오.** 항상 보안경을 착용하십시오. 적절한 상황에서 방진 마스크, 미끄럼 방지 안전화, 안전모 또는 청력 보호 기구 등의 보호 장비를 사용하면 신체 부상 위험이 줄어듭니다.
- 의도하지 않은 장비 가동 방지. 전원 및/또는 배터리 팩에 연결한 상태로 공구를 선택 또는 운반할 때는 사전에 스위치가 꺼짐 위치에 있는지 반드시 확인하십시오.** 스위치가 꺼짐 위치에 있는 상태에서 스위치에 손가락이 닿은 상태로 전동 공구를 운반하거나 전동 공구에 전원을 공급하면 사고가 발생할 수 있습니다.
- 전동 공구를 켜기 전에 모든 조정 키 또는 렌치를 제거하십시오.** 전동 공구의 회전 부품에 렌치나 키가 부착되어 있으면 부상을 당할 수 있습니다.
- 무리하게 팔을 뻗지 마십시오.** 항상 올바른 자세로서 균형형을 유지하십시오. 그러면 예기치 않은 상황에서 전동 공구에 대한 제어력이 향상됩니다.
- 적절한 의복을 착용합니다.** 헐렁한 옷이나 장신구를 착용하지 마십시오. 머리카락, 옷 및 장갑이 움직이는 부품에 닿지 않도록 유의하십시오. 헐렁한 옷, 장신구 또는 긴 머리가 움직이는 부품에 걸 수 있습니다.
- 먼지 배출 및 집진 시설 연결을 위한 장치가 제공된 경우, 이들 장치가 연결되어 적절히 사용되고 있는지 반드시 확인하십시오.** 집진 장치를 사용하면 먼지와 관련된 위험을 줄일 수 있습니다.

4. 전동 공구 사용 및 관리

- 전동 공구에 무리한 힘을 가하지 마십시오.** 해당 용도에 맞는 올바른 전동 공구를 사용하십시오. 올바른 전동 공구를 사용해야 설계된 속도로 작업을 더욱 안전하고 정확하게 수행할 수 있습니다.

- b. 스위치를 켜거나 끌 수 없는 전동 공구는 사용하지 마십시오. 스위치로 제어되지 않는 전동 공구는 위험하며 수리해야 합니다.
- c. 전동 공구를 조정하거나 액세서리를 변경하거나 보관하기 전에 전원 및/또는 배터리 팩에서 플러그를 빼십시오. 이러한 예방적 안전 조치를 따라야 전동 공구가 갑자기 작동할 위험이 줄어듭니다.
- d. 사용하지 않는 전동 공구는 어린이의 손이 닿지 않는 곳에 보관하고, 전동 공구나 본 지시 사항에 익숙하지 않은 사람이 전동 공구를 절대 사용하지 못하게 하십시오. 전동 공구는 훈련을 받지 않은 사용자가 다루면 위험합니다.
- e. 전동 공구 유지 보수. 움직이는 부품의 잘못된 정렬이나 바인딩, 부품 파손 및 기타 전동 공구의 작동에 영향을 미칠 수 있는 상태가 있는지 확인하십시오. 손상된 부분이 있는 경우 사용하기 전에 전동 공구를 수리하십시오. 많은 사고는 전동 공구를 제대로 유지 보수하지 않아 발생합니다.
- f. 절삭 공구를 예리하고 깨끗한 상태로 유지하십시오. 유지 보수를 올바르게 수행하여 절삭 가장자리가 예리한 절삭 공구를 사용하면 바인딩이 적고 다루기가 용이합니다.
- g. 작업 환경과 수행할 작업을 고려하여, 본 지시 사항에 따라 전동 공구, 액세서리 및 톨 비트 등을 사용하십시오. 본 사용 설명서의 내용과 다른 용도로 전동 공구를 사용하면 위험한 상황이 발생할 수 있습니다.
5. 배터리 공구 사용 및 관리
- a. 다시 충전할 때는 제조업체에서 지정한 충전기만 사용하십시오. 한 배터리 팩 유형에 적합한 충전기를 다른 배터리 팩과 함께 사용할 경우 화재의 위험이 있습니다.
- b. 전동 공구를 사용할 때는 특수 설계된 배터리 팩을 함께 사용하십시오. 다른 배터리 팩을 사용하면 부상을 입거나 화재의 위험이 있습니다.
- c. 배터리 팩을 사용하지 않을 때에는 클립, 동전, 키, 못, 나사 등의 금속 물체나, 단자 간에 연결할 수 있는 작은 금속 물체가 닿지 않도록 멀리 두십시오. 배터리 단자가 단락되면 화상을 입거나 화재의 위험이 있습니다.
- d. 배터리를 과다 사용하면 액체가 배터리에서 흘러 나올 수 있으므로 접촉을 피하십시오. 실수로 접촉한 경우에는물로 씻으십시오. 액체가 눈에 들어가면 치료를 받으십시오. 배터리에서 나온 액체는 통증을 유발하거나 화상을 입힐 수 있습니다.
6. 수리
- a. 자격을 갖춘 기술자가 동일 교체 부품을 사용하여 정비 작업을 수행해야 합니다. 그래야 전동 공구의 안전이 보장됩니다.

전동 공구에 관한 추가 안전 경고

⚠ 경고! 임팩트 드릴에 대한 추가 안전 경고

- **임팩트 드릴 사용 시 귀 보호 장비를 착용하십시오.** 소음이 노출되면 청력이 손상될 수 있습니다.
- **공구와 함께 제공되는 보조 핸들을 사용하십시오.** 제어력을 잃으면 신체 부상을 당할 수 있습니다.
- **절삭 액세서리가 숨겨진 배선에 접촉할 수 있는 작업을 수행할 때는 절연된 그림핑 표면이 닿도록 하여 전동 공구를 잡으십시오.** "전류가 흐르는" 전선에 접촉된 절삭 액세서리는 전동 공구의 노출된 금속 부품을 "전류가 흐르는" 상태로 만들어 작업자를 감전시킬 수 있습니다.
- **클램프 또는 다른 적절한 방식을 이용하여 안정된 작업대에 작업 공구들을 고정 및 지지하십시오.** 손으로 작업하거나 몸으로 지탱하는 행동은 불안정하여 제어력을 잃을 수 있습니다.
- **벽, 바닥 또는 천장에 드릴 작업을 하기 전에 배선 및 파이프의 위치를 확인하십시오.**
- **드릴 작업을 한 후에는 드릴 끝이 뜨거울 수 있으므로 만지지 마십시오.**
- 이 공구는 신체, 지각 또는 정신 능력이 낮거나 경험 및 지식이 부족한 사람(어린이 포함)이 사용하도록 설계되지 않았습니다. 이러한 사람이 사용할 때는 안전 책임자의 감독 또는 제품 사용과 관련된 지시 사항이 필요합니다. 어린이가 본 제품을 가지고 놀지 못하도록 항상 주시해야 합니다.
- 본 사용 설명서에 제품의 용도가 설명되어 있습니다. 본 사용 설명서에서 권장하는 방식 이외의 다른 방식으로 본 공구를 조작하거나 액세서리 또는 부착물을 사용하는 경우 신체 부상의 위험이 있거나 재산상의 손해가 발생할 수 있습니다.

배터리 및 충전기에 대한 추가 안전 지시 사항

배터리

- 어떤 이유로든 배터리 팩을 절대 열려고 하지 마십시오.
- 배터리에 물이 닿지 않도록 하십시오.
- 팩이 완전히 충전되면 배터리를 충전기에서 빼는 것이 좋습니다.
- 온도가 40°C를 초과할 수 있는 곳에 보관하지 마십시오.
- 주변 온도가 4°C - 40°C 사이일 때에만 충전하십시오.
- 충전할 때는 이 공구와 함께 제공된 충전기만 사용해야 합니다.
- 배터리를 폐기할 때는 "환경 보호" 섹션에 나와 있는 지시 사항을 따르십시오.
- 극한 상황에서는 배터리 셀에서 액체가 흘러나올 수 있습니다.



- ⚠ 경고!** 배터리에서 흘러나온 수산화칼륨 25-30% 용액은 인체에 해로울 수 있습니다. 피부에 닿으면 (a) 즉시 비눗물로 씻거나 (b) 레몬산이나 초산 등 약산성으로 중화시키십시오. 액체가 눈에 들어가면 즉시 깨끗한 물로 10분 이상 씻은 후 치료를 받으십시오.
- 배터리를 소각하지 마십시오.
 - 손상된 배터리 팩을 충전하지 마십시오.
 - **화재 위험!** 분리된 배터리의 접점이 단락되지 않도록 주의하십시오.

충전기

- 공구와 함께 제공된 배터리를 충전할 때는 **Black & Decker** 충전기만 사용하십시오. 다른 배터리를 사용하면 배터리가 폭발하여 신체 부상을 당하거나 손해를 입을 수 있습니다. 충전기를 시험하지 마십시오.
- 이 제품은 신체, 지각 또는 정신 능력이 낮거나 경험 및 지식이 부족한 사람(어린이 포함)이 사용하도록 설계되지 않았습니다. 이러한 사람이 사용할 때는 안전 책임자의 감독 또는 제품 사용과 관련된 지시 사항이 필요합니다.
- 어린이가 본 제품을 가지고 놀지 못하도록 항상 주의해야 합니다.
- 충전기의 전원 코드가 손상된 경우 사고가 발생하지 않도록 제조업체, 서비스 대리점 또는 이에 준하는 자격을 가진 수리 기술자가 교체해야 합니다.

충전기 라벨

충전기에 다음 기호가 사용될 수 있습니다.




-  본 충전 거치대는 이중으로 절연되어 있으므로 접지가 필요 없습니다. 전원이 명판에 표시된 전압과 일치하는지 항상 확인하십시오.
-  충전 거치대는 실내용으로만 사용됩니다.

특수 안전 규칙

- **이 공구가 숨겨진 배선에 접촉할 수 있는 작업을 수행할 때는 절연된 그림핑 표면이 닿도록 하여 공구를 잡으십시오.** "전류가 흐르는" 전선과 접촉하면 공구의 노출된 금속 부분에 "전류가 흘러" 작업자가 감전될 수 있습니다.
- **사다리 또는 발판에서 작업할 때 사용하지 않는 공구는 옆에 눕혀 두십시오.** 배터리 팩이 큰 일부 공구들은 바로 서 있지만 쉽게 넘어질 수 있습니다.
- 드릴 작업을 한 후에는 드릴 끝이 뜨거운 수 있으므로 만지지 마십시오.
- 액세서리를 끼우거나 변경할 때는 액세서리와 함께 제공된 지시 사항을 항상 참조하십시오.
- 공구에 오류가 발생할 경우 스스로 고치려고 하지 말고 공인 수리 대리점에 수리를 의뢰하십시오.

기호

공구에 부착된 라벨에 다음 기호가 사용됩니다.

V	볼트
A	전류
Hz	주파수
W	와트
min.	분
~	교류
---	직류
no	무부하 속도
	클래스 II 건설 산업용
	접지 단자
	안전 경고 기호
.../min	분당 회전 또는 왕복 수
.../bpm	분당 비트 수

각부 명칭(그림 A)

1. 가변 속도 스위치
2. 전진/후진 슬라이더
3. 모드 선택기/토크 조절 칼라
4. 키가 필요없는 척
5. 배터리
6. 배터리 해제 버튼
7. 충전기
8. 충전기 커넥터
9. 충전기 플러그

어셈블리

- ⚠ 경고!** 조립하기 전에 공구에서 배터리를 분리하십시오.

배터리 장착 및 분리(그림 B)

- 배터리(5)를 끼우려면 배터리를 공구 용기에 맞춥니다. 배터리를 용기에 밀어 넣어 제자리에 끼웁니다.
- 배터리를 분리하려면 두 개의 해제 버튼(6)을 동시에 누르면서 배터리를 용기 밖으로 뺍니다.

드릴 비트 또는 드라이버 비트 장착 및 분리(그림 C)

- ⚠ 경고!** 먼저 공구에서 배터리를 분리하십시오.
- 이 공구에는 키가 필요없는 척이 장착되어 있어 비트를 쉽게 교환할 수 있습니다.
- 전진/후진 슬라이더(2)를 가운데로 설정하여 공구를 잠급니다.
- 앞부분(11)을 한 손으로 돌리면서 뒷부분(12)을 다른 손으로 잡아 척을 엽니다(그림 C).
- 비트 상크(13)를 척에 삽입합니다.
- 앞부분(11)을 한 손으로 돌리면서 뒷부분(12)을 다른 손으로 잡아 척을 단단히 조입니다.

척 분리 및 다시 장착(그림 D)

- 척을 최대한 엮니다.
- 드라이버로 척 고정 나사를 시계 방향으로 돌려서 분리합니다.
- 앨런 키(14)를 척에 조이고 그림과 같이 망치로칩니다.
- 앨런 키를 분리합니다.
- 척을 시계 반대 방향으로 돌려서 분리합니다.
- 척을 다시 장착하려면 스프링들에 나사를 조이고 척 고정 나사로 고정합니다.

사용법

⚠경고! 공구를 정상 속도로 가동하십시오. 과부하가 발생하면 안 됩니다.

배터리 충전

배터리는 처음 사용하기 전에, 그리고 이전에 간단히 수행했던 작업에서 전력이 부족할 때마다 충전해야 합니다. 처음 배터리를 충전하거나 장시간 보관한 후에는 배터리의 80%만 충전됩니다. 충전과 방전을 몇 번 반복한 후에 배터리는 전체 용량을 사용할 수 있게 됩니다. 충전 중에 배터리가 뜨거워질 수도 있습니다. 이는 정상적인 현상이며 고장이 아닙니다.

⚠경고! 주변 온도가 4°C 이하 또는 40°C 이상일 때는 배터리를 충전하지 마십시오. 권장되는 충전 온도는 약 24°C입니다.

충전 거치대 없는 충전기(그림 E)

- 배터리를 충전하려면 배터리가 드릴에 맞는지 확인합니다.
- 충전기 플러그(9)를 커넥터(8)에 삽입합니다.
- 충전기 플러그를 꽂습니다.
- 전원 스위치를 켭니다. 정상적으로 사용한 후 3시간 동안 충전하면 충분한 전력이 제공됩니다. 그러나 과다 충전하게 되면(최대 6시간) 배터리 및 충전 조건에 따라 사용 시간이 크게 늘어날 수 있습니다.
- 공구를 충전기에서 분리합니다.

⚠경고! 공구가 충전기에 연결되어 있을 때는 사용하지 마십시오.

회전 방향 선택

드릴 작업을 하고 나사를 조이려면 전진(시계 방향) 회전을 사용하십시오. 나사를 풀거나 팍 끼인 드릴 비트를 분리하려면 후진(시계 반대 방향) 회전을 사용하십시오.

- 전진 회전을 선택하려면 전진/후진 슬라이더(2)를 왼쪽으로 누릅니다.
- 후진 회전을 선택하려면 전진/후진 슬라이더를 오른쪽으로 누릅니다.
- 공구를 잠그려면 전진/후진 슬라이더를 가운데로 설정합니다.

작동 모드 또는 토크 선택(그림 F)

이 공구에는 칼라가 장착되어 있어 작동 모드를 선택하고 토크를 설정해서 나사를 조일 수 있습니다. 대형 나사 및 경질 작업을 재료는 소형 나사 및 연성 작업물 재료보다 더 높은 토크 설정이 필요합니다. 칼라에는 해당 용도에 맞는 다양한 설정이 있습니다.

- 나무, 금속 및 플라스틱의 드릴 작업 시에는 기호를 표시(15)와 맞추어 칼라(3)를 드릴 위치로 설정합니다.
- 나사를 조일 때는 칼라를 원하는 설정으로 지정합니다. 적절한 설정을 모를 경우에는 다음과 같이 진행하십시오.
 - 칼라(3)를 최저 토크 설정으로 지정합니다.
 - 첫 번째 나사를 조입니다.
 - 원하는 결과를 얻기 전에 클러치가 단계적으로 올라가면 칼라 설정을 증가시키고 나사를 계속 조입니다. 올바른 설정이 될 때까지 반복합니다. 나머지 나사에 이 설정을 사용합니다.

스위치 켜짐/꺼짐

가변 속도 스위치

- 공구 스위치를 켜려면 가변 속도 스위치(1)를 누릅니다. 공구 속도는 스위치를 누르는 속도에 따라 다릅니다.
- 공구 스위치를 끄려면 가변 속도 스위치를 놓습니다.

최적의 사용법

드릴 작업

- 항상 드릴 비트에 직선으로 가벼운 압력을 가하십시오.
- 드릴 끝으로 작업물의 다른 쪽이 부서지기 전에 공구의 압력을 줄이십시오.
- 쪼개지기 쉬운 작업물을 지지하려면 나무 블록을 사용하십시오.
- 나무에 대형 직경 구멍 드릴 작업 시에는 스페이드 비트를 사용하십시오.
- 금속의 드릴 작업 시에는 HSS 드릴 비트를 사용하십시오.
- 연성 석재의 드릴 작업 시에는 석재 비트를 사용하십시오.
- 주철과 황동 이외의 금속 드릴 작업 시에는 윤활유를 사용하십시오.
- 정확도를 향상시키기 위해 드릴 작업을 하려면 구멍 가운데에서 중앙 펀치를 사용하여 틀니 모양으로 만드십시오.

나사 조이기

- 항상 올바른 유형과 크기의 드라이버 비트를 사용하십시오.
- 나사를 조이기 어려운 소량의 액체 세제 또는 비누를 윤활유로 사용해 보십시오.
- 항상 공구와 드라이버 비트를 나사와 직각으로 잡으십시오.

유지 보수

Black & Decker 전동 공구는 최소한의 유지 보수로 장기간에 걸쳐 작업이 가능하도록 설계되어 있습니다. 오랜 시간 만족스러운 성능으로 공구를 사용하려면 적절한 공구 관리와 정기적인 청소가 중요합니다.

! 경고! 공구를 유지 보수하려면 먼저 공구에서 배터리를 분리하십시오. 충전기를 청소하기 전에 충전기의 플러그를 뽑으십시오.

- 부드러운 브러시와 마른 헝겊으로 공구의 환기 슬롯을 주기적으로 청소하십시오.
- 젖은 헝겊으로 모터 하우징을 주기적으로 청소하십시오.
- 연마재 및 유성 클리너를 사용하지 마십시오.
- 척을 주기적으로 열고 가볍게 두드려 내부의 먼지를 털어내십시오.

본 공구는 사용자가 수리할 수 없습니다. Black & Decker 공인 수리 대리점에 수리를 의뢰하십시오. 충전기는 정기적인 청소 이외에 유지 보수가 필요하지 않습니다.

중요

제품 안전과 신뢰성을 보장하기 위해 수리, 유지 보수 및 조정 작업(본 사용 설명서에서 다루지 않은 작업)은 공인 서비스 센터 또는 자격을 갖춘 다른 수리점에서 항상 동일한 교체 부품을 사용하여 수행해야 합니다. 본 기기 내부에는 사용자가 수리할 수 있는 부품이 없습니다.

청소

! 경고! 통풍구 속이나 주변에 먼지가 쌓여있는 것이 보이면 가능한 한 자주 건조한 공기를 이용하여 몸체에서 먼지를 불어내십시오. 이 절차를 수행할 때에는 승인된 보안경 및 승인된 방진 마스크를 착용하십시오.

! 경고! 공구의 금속 이외의 부품을 청소할 때는 용제 등의 강력한 화학약품을 절대 사용하지 마십시오. 그렇지 않으면 이러한 부분에 사용된 재료가 약해질 수 있습니다. 헝겊에 물과 연한 비누를 적서 닦아주십시오. 공구 내부에 액체를 넣거나 공구 부품을 액체에 담그는 행동은 절대 금물입니다.

충전기 청소 지시 사항

! 경고! 감전 위험. 청소하려면 먼저 충전기를 콘센트에서 분리하십시오. 헝겊이나 부드러운 금속 이외 브러시로 충전기 외관 부분에 묻은 먼지 및 기름을 제거할 수 있습니다. 물이나 세척제를 사용하지 마십시오.

액세서리

전동 공구의 성능은 사용한 액세서리에 따라 결정됩니다. Black & Decker 액세서리는 높은 품질 기준을 만족하도록 제조되었으며, 전동 공구의 성능을 향상시키도록 설계되었습니다.

Black & Decker에서 제공하는 다양한 액세서리는 해당 지역에 있는 판매점이나 공인 서비스 센터를 통해 구입할 수 있습니다.

! 주의! 본 공구와 함께 사용하도록 권장되지 않는 다른 액세서리를 사용할 경우 위험할 수 있습니다.

환경 보호

✗ 분리 수거. 본 제품을 일반 가정용 쓰레기로 처리하면 안 됩니다. Black & Decker 제품을 교체해야 하거나 더 이상 쓸모가 없어졌다고 판단되면 본 제품을 가정용 쓰레기로 처리하지 마십시오. 이 제품은 분리 수거하십시오.

♻️ 사용하던 제품과 포장물 분리 수거하면 자원을 재활용 및 재사용할 수 있습니다.

재활용 자원을 이용하면 환경 오염이 방지되고 고철 자원에 대한 수요를 줄일 수 있습니다. 필요에 따라, 거주하는 지역의 올바른 처리 지침은 관할 당국에 문의하십시오.

배터리

Black & Decker 배터리는 여러 번 재충전할 수 있습니다. 배터리 수명이 다하면 환경 보호 차원에서 배터리를 폐기하십시오.

배터리를 완전히 사용하고 난 후 공구에서 분리하십시오. NiCd 및 NiMH 배터리는 재활용할 수 있습니다. 이 배터리를 지역 재활용 센터로 가져가십시오.

서비스 정보

Black & Decker는 아시아 전역에 영업소를 자체 운영하거나 공인 서비스 센터를 두고 있습니다. 모든 Black & Decker 서비스 센터에는 교육을 이수한 전문 직원이 배치되어 있어 고객에게 효과적이고 믿을 수 있는 전동 공구 서비스를 제공하고 있습니다. 기술 지원, 수리 또는 순정 교체 부품이 필요한 모든 경우에 가까운 Black & Decker로 연락하십시오.

참고사항

- Black & Decker는 제품을 지속적으로 개선시키기 때문에 사전 통지 없이 제품 사양이 변경될 수 있습니다.
- 기본 장비 및 액세서리 구성은 나라에 따라 다를 수 있습니다.
- 제품 사양은 나라에 따라 다를 수 있습니다.
- 나라에 따라 판매하지 않는 제품도 있을 수 있습니다. 제품 판매 여부는 해당 지역에 있는 Black & Decker 판매점으로 문의하십시오.

CD1201

สว่าน/ไขควงไร้สาย 10 มม.

ข้อมูลทางด้านเทคนิค

สว่าน/ไขควงไร้สาย	CD1201	
แรงดันไฟฟ้า	โวลต์	12
ความเร็วขณะไม่มีภาระโหลด	รอบต่อนาที	0-700
แรงขับเคลื่อนสูงสุด	Nm	8
ความสามารถในการเจาะ		
- ไม้/เหล็ก	มม.	25/10
- ความสามารถของตัวจับดอกสว่าน	มม.	1.0-10
น้ำหนัก	กก.	0.94
แบตเตอรี่		
แรงดันไฟฟ้า	โวลต์	12
ความจุ	Ah	1.2
น้ำหนัก	กก.	0.47
เครื่องชาร์จ		
เวลาในการชาร์จโดยประมาณ	ชั่วโมง	6

วัตถุประสงค์ในการใช้งาน

สว่าน/ไขควงไร้สาย Black & Decker ออกแบบมาเพื่อใช้งานในลักษณะเดียวกับไขควง และใช้สำหรับเจาะไม้ โลหะ และพลาสติก เครื่องมือนี้มีวัตถุประสงค์เพื่อการใช้งานของผู้บริโภคเท่านั้น

กฎความปลอดภัยทั่วไป

คำเตือน! อ่านคำแนะนำทั้งหมด การไม่ปฏิบัติตามคำแนะนำทั้งหมดที่แสดงไว้ข้างล่างอาจทำให้ถูกไฟดูด เกิดเพลิงไหม้ และ/หรือบาดเจ็บสาหัสได้

จัดเก็บเอกสารคำเตือนและคำแนะนำทั้งหมดไว้เพื่อการอ้างอิงในภายหลัง คำว่า “เครื่องมือไฟฟ้า” ในคำเตือนทั้งหมดที่แสดงไว้ข้างล่าง หมายถึง เครื่องมือไฟฟ้าที่ทำงานผ่านสายเมน (มีสาย) หรือแบตเตอรี่ (ไม่มีสาย)

1. ความปลอดภัยในบริเวณที่ทำงาน

- รักษาความสะอาดและจัดให้มีแสงสว่างเพียงพอในบริเวณที่ทำงาน บริเวณที่คับแคบหรือมืดทำให้เกิดอุบัติเหตุได้
- ห้ามใช้เครื่องมือไฟฟ้าในบริเวณที่อาจเกิดการระเบิด เช่น เมื่อมีของเหลวไวไฟ แก๊ส หรือฝุ่นละออง เครื่องมือไฟฟ้าจะทำให้เกิดประกายไฟที่อาจทำให้เกิดฝุ่น หรือเปลวไฟ
- ระวังไม่ให้เด็กเล็กและคนเดินผ่านไปมาเข้าใกล้ในขณะที่ใช้งานเครื่องมือไฟฟ้า สิ่งรอบวงอาจทำให้คุณเสียสมาธิได้

2. ความปลอดภัยที่เกี่ยวข้องกับไฟฟ้า

- ปลั๊กไฟของเครื่องต้องเป็นชนิดเดียวกับตัวรับ ห้ามดัดแปลงปลั๊ก ไม่ว่าจะด้วยวิธีใด ห้ามใช้ตัวแปลงกับเครื่องมือไฟฟ้าที่ต่อสายดิน ปลั๊กที่ไม่มีการดัดแปลงและตัวรับชนิดเดียวกันจะช่วยลดความเสี่ยงจากไฟดูด
- หลีกเลี่ยงการสัมผัสพื้นผิวที่ต่อสายดิน เช่น ท่อ หม้อน้ำ เตาหุงต้ม และตู้เย็น มีความเสี่ยงเพิ่มขึ้นที่จะถูกไฟดูด หากร่างกายเป็นสื่อเชื่อมต่อกับสายดิน

- อย่าให้เครื่องมือไฟฟ้าถูกฝนหรือเปียกน้ำ น้ำที่เข้าเครื่องมือไฟฟ้า จะทำให้เกิดความเสี่ยงมากขึ้นจากการถูกไฟฟาด
- ระวังอย่าให้สายไฟชำรุด ห้ามใช้สายไฟเพื่อหิ้ว ดึง หรือถอดปลั๊กเครื่องมือไฟฟ้า เก็บสายไฟให้พ้นจากความร้อน น้ำมัน ของมีคม หรือชิ้นส่วนอุปกรณ์ที่กำลังเคลื่อนที่ สายไฟที่ชำรุดหรือพันกัน จะทำให้เกิดความเสี่ยงมากขึ้นจากการถูกไฟฟาด
- เมื่อใช้เครื่องมือไฟฟ้ากลางแจ้ง ให้ใช้สายพ่วงที่เหมาะสมสำหรับการใช้งานกลางแจ้ง ใช้สายไฟที่เหมาะสมสำหรับการใช้งานกลางแจ้ง เพื่อลดความเสี่ยงจากการถูกไฟฟาด
- หากไม่สามารถหลีกเลี่ยงการใช้เครื่องมือไฟฟ้าในบริเวณที่ชื้นแฉะได้ ให้ใช้อุปกรณ์ป้องกันไฟฟ้าสะสม (RCD) ที่จัดให้ ใช้ RCD เพื่อลดความเสี่ยงจากการถูกไฟฟาด

3 ความปลอดภัยส่วนบุคคล

- ตื่นตัวและมีสมาธิกับสิ่งที่คุณกำลังทำ และตัดสินใจด้วยสามัญสำนึกขณะใช้เครื่องมือไฟฟ้า ห้ามใช้เครื่องมือไฟฟ้าในขณะที่คุณกำลังเหนื่อยหรืออยู่ใต้อิทธิพลของยา แอลกอฮอล์หรือการรักษามารยาบางอย่าง การขาดความระมัดระวังในการใช้เครื่องมือไฟฟ้า ห้ามใช้เครื่องมือไฟฟ้าในขณะที่คุณกำลังเหนื่อยหรืออยู่ใต้อิทธิพลของยา แอลกอฮอล์หรือการรักษามารยาบางอย่าง การขาดความระมัดระวังในการใช้เครื่องมือไฟฟ้า ห้ามใช้เครื่องมือไฟฟ้าในขณะที่คุณกำลังเหนื่อยหรืออยู่ใต้อิทธิพลของยา แอลกอฮอล์หรือการรักษามารยาบางอย่าง การขาดความระมัดระวังในการใช้เครื่องมือไฟฟ้า อาจทำให้บาดเจ็บสาหัสได้
- ใช้อุปกรณ์ป้องกันส่วนบุคคล สวมอุปกรณ์ป้องกันตาเสมอ อุปกรณ์ป้องกัน เช่น หน้ากากกันฝุ่น รองเท้านิรภัยกันลื่น หมวกนิรภัย หรืออุปกรณ์ป้องกันเสียงดังตามสภาพที่เหมาะสม จะช่วยลดอาการบาดเจ็บส่วนบุคคล
- ป้องกันการสตาตาร์เครื่องมือโดยไม่ตั้งใจ สวิตช์ต้องอยู่ในตำแหน่งปิด ก่อนเสียบปลั๊กของเครื่องเข้ากับแหล่งจ่ายไฟและ/หรือแบตเตอรี่ ยกหรือหิ้วเครื่องมือ การยกเครื่องมือไฟฟ้าในขณะที่นิ้วอยู่ที่สวิตช์ หรือใช้เครื่องมือไฟฟ้าที่สวิตช์เปิดอยู่ อาจทำให้เกิดอุบัติเหตุได้
- ถอดกุญแจปรับแต่งหรือประแจออกก่อนเปิดสวิตช์เครื่องมือไฟฟ้า ประแจหรือกุญแจที่เสียบคาไว้กับชิ้นส่วนที่กำลังหมุนของเครื่องมือไฟฟ้าอาจทำให้ได้รับบาดเจ็บได้
- ห้ามยืนเขย่งขณะใช้เครื่อง ยืนในท่าที่เหมาะสมและสมดุลตลอดเวลา เพื่อช่วยในการควบคุมเครื่องมือไฟฟ้าได้ดียิ่งขึ้นในสถานการณ์ที่ไม่คาดคิด
- แต่งกายให้เหมาะสม ห้ามสวมเสื้อผ้าหลวมหรือใส่เครื่องประดับ รวบรวม ขายเสื้อ และถุงมือให้ห่างจากชิ้นส่วนที่กำลังหมุน เสื้อผ้าที่หลวม หลวม เครื่องประดับหรือผมที่ยาว อาจเข้าไปพันกับชิ้นส่วนที่กำลังหมุน
- หากมีอุปกรณ์สำหรับเก็บฝุ่นและรวบรวมเศษไม้ ต้องเชื่อมต่อและใช้งานอุปกรณ์เหล่านั้นอย่างเหมาะสม การใช้อุปกรณ์เก็บฝุ่น จะช่วยลดอันตรายที่เกี่ยวข้องกับฝุ่นได้

4. การใช้และการดูแลรักษาเครื่องมือไฟฟ้า

- ห้ามมิให้ใช้เครื่องมือไฟฟ้า เลือกใช้เครื่องมือไฟฟ้าที่ถูกต้องตรงกับลักษณะการใช้งานของคุณ เครื่องมือไฟฟ้าที่ถูกต้องย่อมทำงานได้ดีกว่าและปลอดภัยกว่าในอัตราที่เครื่องมือได้รับการออกแบบมา

- ข) ห้ามใช้เครื่องมือไฟฟ้าถ้าสวิตช์เปิดปิดเครื่องไม่ทำงาน เครื่องมือไฟฟ้าที่ไม่สามารถควบคุมผ่านสวิตช์ได้จัดว่าเป็นอันตรายและต้องส่งซ่อม
- ค) ถอดปลั๊กของเครื่องมือไฟฟ้าออกจากแหล่งจ่ายไฟ และ/หรือแบตเตอรี่ก่อนทำการปรับตั้ง เปลี่ยนอุปกรณ์เสริมหรือจัดเก็บเครื่องมือ มาตรการเพื่อความปลอดภัยเชิงการป้องกันนี้จะช่วยลดความเสี่ยงในการเปิดเครื่องโดยไม่ตั้งใจ
- ง) เก็บเครื่องมือไฟฟ้าที่พร้อมใช้งานไว้ให้พ้นมือเด็ก และไม่อนุญาตให้บุคคลที่ไม่คุ้นเคยกับเครื่องมือไฟฟ้าหรือคำแนะนำเหล่านี้เป็นผู้ใช้เครื่องมือ เครื่องมือไฟฟ้าจะเป็นอันตราย หากอยู่ในมือผู้ใช้ที่ไม่มีความชำนาญ
- จ) บำรุงรักษาเครื่องมือไฟฟ้า ตรวจสอบชิ้นส่วนที่เคลื่อนที่ ดูการวางตำแหน่งหรือการต่อที่ไม่ถูกต้อง ชิ้นส่วนที่แตกเสียหาย และสภาพอื่นๆ ที่อาจส่งผลกระทบต่อการทำงานของเครื่องมือไฟฟ้า หากชำรุดเสียหาย ต้องซ่อมเครื่องมือนั้นก่อนนำมาใช้ อุบัติเหตุมากมายเกิดจากเครื่องมือไฟฟ้าที่ดูแลรักษาไม่ดีพอ
- ฉ) การใช้อุปกรณ์ตัดต้องคมและสะอาดอยู่เสมอ เครื่องมือตัดที่ผ่านการดูแลรักษาที่เหมาะสมและมีขอบตัดที่คม จะไม่ค่อยก่อปัญหา และควบคุมได้ง่าย
- ช) ใช้เครื่องมือไฟฟ้า อุปกรณ์เสริม และชุดอุปกรณ์ต่างๆ ให้สอดคล้องกับคำแนะนำเหล่านี้ โดยพิจารณาถึงสภาพการทำงานและงานที่ทำเป็นสำคัญ ใช้เครื่องมือไฟฟ้าทำงานอื่นนอกเหนือจากที่กำหนดไว้ อาจทำให้เกิดอันตรายได้

5. การใช้และการดูแลรักษาแบตเตอรี่

- ก) ชาร์จแบตเตอรี่ด้วยเครื่องชาร์จที่ผู้ผลิตแนะนำเท่านั้น เครื่องชาร์จที่เหมาะสมกับแบตเตอรี่แบบนั้นอาจทำให้เกิดไฟไหม้ได้ถ้านำมาใช้ร่วมกับแบตเตอรี่อีกแบบหนึ่ง
- ข) ใช้เครื่องมือไฟฟ้าเฉพาะกับแบตเตอรี่ที่ออกแบบมาเป็นพิเศษเท่านั้น การใช้แบตเตอรี่แบบอื่นอาจทำให้เกิดการบาดเจ็บหรือเกิดไฟไหม้ได้
- ค) เมื่อไม่ได้ใช้แบตเตอรี่ ให้เก็บออกจากภาควัตถุอื่นๆ ที่เป็นโลหะ เช่น คลิปหนีบกระดาษ เหรียญ กุญแจ เข็ม สกรู หรือวัตถุขนาดเล็กอื่นๆ ที่ทำจากโลหะที่อาจทำให้เกิดการเชื่อมต่อนกจากขั้วหนึ่งไปยังขั้วหนึ่ง การลัดวงจรบริเวณขั้วแบตเตอรี่อาจทำให้เกิดรอยไหม้หรือไฟไหม้ได้
- ง) เมื่ออยู่ภายใต้สภาวะที่เป็นอันตราย ของเหลวอาจกระเด็นออกมาจากแบตเตอรี่ ให้หลีกเลี่ยงการสัมผัสของเหลวนี้ หากสัมผัสของเหลวนี้โดยไม่ตั้งใจ ให้ล้างออกด้วยน้ำสะอาด หากของเหลวกระเด็นเข้าตา ควรรีบไปพบแพทย์ของเหลวที่ออกมาจากแบตเตอรี่อาจทำให้เกิดอาการระคายเคืองหรือรอยไหม้ได้
6. การบริการ
- ก) ให้ช่างซ่อมที่มีความเชี่ยวชาญเป็นผู้ซ่อมเครื่องมือและใช้อะไหล่ของเท่านั้น ซึ่งจะช่วยรับประกันได้ว่าเครื่องมือไฟฟ้ายังมีความปลอดภัยอยู่

คำเตือนเพิ่มเติมด้านความปลอดภัยเฉพาะสำหรับเครื่องมือไฟฟ้า

- ⚠ คำเตือน** คำเตือนเพิ่มเติมด้านความปลอดภัยสำหรับส่วนเจาะกระแทก
- สวมอุปกรณ์ป้องกันขณะใช้ส่วนเจาะกระแทก การอยู่ใกล้เสียงดังมาก อาจทำให้สูญเสียความสามารถในการได้ยิน
 - ใช้มือจับเสริมที่ให้มาพร้อมกับเครื่อง การสูญเสียการควบคุมเครื่อง อาจทำให้ได้รับบาดเจ็บได้
 - จับเครื่องมือไฟฟ้าเฉพาะพื้นผิวส่วนที่ใช้จับซึ่งมีฉนวนป้องกันอยู่ในขณะใช้งานเครื่อง เนื่องจากอุปกรณ์สำหรับตัดอาจไปโดนสายไฟที่ซ่อนอยู่ หากอุปกรณ์สำหรับตัดสัมผัสสายไฟที่มี “กระแสไฟผ่าน” อาจทำให้ชิ้นส่วนโลหะของเครื่องมือไฟฟ้า ที่อยู่นอกฉนวนได้รับ “กระแสไฟผ่าน” และทำให้ผู้ถูกไฟดูดได้
 - ใช้ตัวจับชิ้นงานหรือวิธีอื่นๆ ที่ได้ผลเพื่อยึดและรองชิ้นงานบนแท่นที่มั่นคง การใช้มือจับหรือให้ชิ้นงานพียงกับลำตัวจะทำให้ชิ้นงานไม่มั่นคง และอาจทำให้สูญเสียการควบคุมได้
 - ก่อนทำการเจาะผนัง พื้น หรือเพดาน ให้ตรวจหาตำแหน่งของสายไฟ และท่อไม่ให้แน่ชัดเสียก่อน
 - หลีกเลี่ยงการสัมผัสที่ปลายดอกสว่านในทันทีหลังการเจาะ เพราะดอกสว่านยังร้อนอยู่
 - เครื่องมือนี้ไม่เหมาะกับบุคคล (รวมถึงเด็ก) ต่อไปนี้ ผู้ที่มีความบกพร่องทางร่างกาย บกพร่องทางการรับความรู้สึก บกพร่องทางจิตประสาท หรือผู้ที่ไม่มีความรู้ และขาดความระมัดระวัง แต่จะอยู่ภายใต้การดูแลหรือได้รับคำแนะนำเกี่ยวกับการใช้เครื่องมือโดยผู้ที่รับผิดชอบด้านความปลอดภัยของบุคคลเหล่านั้น เด็กควรได้รับการดูแลเพื่อให้แน่ใจว่าเด็กจะไม่เล่นเครื่องมือ
 - วัตถุประสงค์ในการใช้งานได้อธิบายไว้ในคู่มือการใช้งานนี้แล้ว การใช้อุปกรณ์เสริมหรือเครื่องประกอบที่มาพร้อมกัน หรือการใช้งานอื่นใดกับเครื่องมือนี้ นอกจากที่แนะนำไว้ในคู่มือการใช้งานนี้ อาจทำให้เสี่ยงต่อการบาดเจ็บและ/หรือความเสียหายต่อทรัพย์สิน

คำแนะนำด้านความปลอดภัยเพิ่มเติมสำหรับแบตเตอรี่และเครื่องชาร์จแบตเตอรี่

- อย่าเปิดฝาแบตเตอรี่ไม่ว่าด้วยเหตุผลใดๆ
- อย่าให้แบตเตอรี่โดนน้ำ
- ขอยแนะนำให้นำแบตเตอรี่ออกจากเครื่องชาร์จเมื่อชาร์จไฟเต็มแล้ว
- อย่าเก็บแบตเตอรี่ในบริเวณที่อาจมีอุณหภูมิสูงกว่า 40°C
- ชาร์จไฟในบริเวณที่อุณหภูมิมีระยะระหว่าง 4°C ถึง 40°C เท่านั้น
- ชาร์จไฟโดยใช้เครื่องชาร์จที่ให้มาพร้อมเครื่องมือเท่านั้น
- หากต้องการกำจัดทั้งแบตเตอรี่ ให้ปฏิบัติตามคำแนะนำในหัวข้อ “การปกป้องสิ่งแวดล้อม”
- ภายใต้สภาพแวดล้อมที่เลวร้าย อาจเกิดการรั่วไหลจากเซลล์แบตเตอรี่ได้

⚠ คำเตือน น้ำยาในแบตเตอรี่มีสารละลายโปตัสเซียม-ไฮดรอกไซด์ 25-30% ซึ่งอาจเป็นอันตรายได้ ในกรณีที่เกิดหกรังสัมผัสถูกน้ำยา:



- (ก) ล้างออกด้วยน้ำและสบู่โดยเร็ว หรือ (ข) ทำให้มีค่าเป็นกลางโดยใช้กรดอ่อนๆ อย่างเช่น น้ำมะนาว หรือน้ำส้มสายชู หากน้ำยากระเด็นเข้าตา ให้ล้างออกทันทีด้วยน้ำสะอาดอย่างน้อย 10 นาที แล้วรีบไปพบแพทย์
- ห้ามนำแบตเตอรี่ไปเผาไฟ
 - ห้ามชาร์จไฟแบตเตอรี่ที่ชำรุด
 - **อันตรายจากเพลิงไหม้:** หลีกเลี่ยงการลัดวงจรที่หน้าสัมผัสของแบตเตอรี่ที่ถอดออกมาแล้ว

เครื่องชาร์จ

- ใช้เครื่องชาร์จ Black & Decker ที่ให้มาเท่านั้น ในการชาร์จไฟแบตเตอรี่ที่อยู่ในเครื่องมือ แบตเตอรี่อื่นอาจทำให้เกิดการระเบิด เป็นสาเหตุให้เกิดการบาดเจ็บและความเสียหาย อย่าตรวจวัดไฟเครื่องชาร์จ
- เครื่องมือนี้ไม่เหมาะสำหรับเด็ก (รวมถึงเด็ก) ต่อไปนี้ ผู้ที่มีความบกพร่องทางร่างกาย บกพร่องทางการรับความรู้สึก บกพร่องทางจิตประสาท หรือผู้ที่ไม่มีประสบการณ์และขาดความรู้ เว้นแต่จะอยู่ภายใต้การดูแลหรือได้รับคำแนะนำเกี่ยวกับการใช้ เครื่องมือโดยผู้ที่รับผิดชอบด้านความปลอดภัยของบุคคลเหล่านั้น
- เด็กควรได้รับการดูแลเพื่อให้แน่ใจว่าเด็กจะไม่เล่นเครื่องมือ
- ถ้าสายไฟของเครื่องชาร์จชำรุดเสียหาย ต้องได้รับการเปลี่ยนโดยบริษัทผู้ผลิต ศูนย์บริการของบริษัทผู้ผลิต หรือโดยผู้ที่มีความเชี่ยวชาญในงานลักษณะเดียวกัน เพื่อหลีกเลี่ยงอันตรายที่อาจเกิดขึ้นได้

ป้ายฉลากบนเครื่องชาร์จ

สัญลักษณ์ต่อไปนี้อาจพบอยู่บนเครื่องชาร์จของคุณ:




-  แทนชาร์จของคุณมีถ่านสองชั้น ดังนั้นจึงไม่จำเป็นต้องต่อสายดิน หมั่นตรวจสอบกำลังไฟเพื่อให้ตรงกับแรงดันไฟฟ้าบนแผ่นแสดงที่กัก
-  แทนชาร์จสำหรับใช้ภายในอาคารเท่านั้น

กฎความปลอดภัยเฉพาะเครื่องมือ

- **จับเครื่องมือเฉพาะที่นิ้วส่วนที่ใช้จับซึ่งมีถ่านสองชั้น** ในขณะที่ใช้งานเครื่องมือ เนื่องจากเครื่องมืออาจไปโดนสายไฟที่ซ่อนอยู่ การสัมผัสถูกสายไฟที่มี “กระแสไฟผ่าน” จะทำให้ชิ้นส่วนโลหะ ของเครื่องมือไฟฟ้าที่อยู่นอกถ่าน ได้รับ “กระแสไฟผ่าน” และทำให้ผู้ใช้ถูกไฟดูดได้
- **การทำงานบนบันไดหรือชั้นร้าน จะต้องวางเครื่องมือให้ชี้ลงด้านล่างเมื่อไม่ได้ใช้งาน** เครื่องมือบางชนิดที่ใช้แบตเตอรี่จะขยับไหว จะต้องวางตั้งขึ้น แต่ก็อาจล้มลงได้ง่าย
- หลีกเลี่ยงการสัมผัสที่ปลายดอกสว่านในทันทีหลังการเจาะ เพราะดอกสว่านยังร้อนอยู่
- เมื่อประกอบเครื่องมือและเปลี่ยนอุปกรณ์เสริม ให้ปฏิบัติตามเอกสารคำแนะนำที่หามาพร้อมอุปกรณ์เสริมเสมอ
- หากเครื่องมือของคุณทำงานผิดปกติ อย่าพยายามซ่อมเอง ให้นำเครื่องมือไปยังศูนย์ซ่อมที่ได้รับอนุญาต

สัญลักษณ์

ป้ายฉลากบนเครื่องมืออาจมีสัญลักษณ์ต่อไปนี้:

V	โวลต์
A	แอมแปร์
Hz	เฮิรตซ์
W	วัตต์
min.	นาที
~	กระแสสลับ
==	กระแสตรง
no	ความเร็วขณะไม่มีภาระโหลด
	โครงสร้างแบบ Class II
	สายดิน
	สัญลักษณ์แจ้งเตือนความปลอดภัย
.../min	รอบการหมุนหรือรอบช่วงชักต่อนาที
.../bpm	จำนวนครั้งต่อนาที

คุณสมบัติ (ภาพ A)

1. สวิตช์ปรับระดับความเร็ว
2. ปุ่มเลื่อนเดินหน้า/ถอยหลัง
3. ปดอกหมุนสำหรับเลือกโหมด/ปรับตั้งแรงขัน
4. ตัวจับดอกสว่านแบบไมใช้กุญแจ
5. แบตเตอรี่
6. ปุ่มปลดแบตเตอรี่
7. เครื่องชาร์จ
8. ขั้วต่อเครื่องชาร์จ
9. หัวแจ็คเครื่องชาร์จ

วิธีการประกอบ

⚠ คำเตือน ก่อนประกอบเครื่อง ให้ถอดแบตเตอรี่ออกจากเครื่องมือ

การใส่และการถอดแบตเตอรี่ (ภาพ B)

- การใส่แบตเตอรี่ (5) วางแบตเตอรี่ให้ตรงกับฐานรองรับบนเครื่องมือ เลื่อนแบตเตอรี่เข้าในฐานรองรับ แล้วดันจนกระทั่งแบตเตอรี่เข้าล็อกในตำแหน่ง
- การถอดแบตเตอรี่ ให้กดปุ่มปลด (6) สองปุ่มพร้อมกันในขณะที่ดึงแบตเตอรี่ออกจากฐานรองรับ

การใส่และการถอดดอกสว่านหรือหัวไขควง (ภาพ C)

- ⚠ คำเตือน** ก่อนอื่น ให้ถอดแบตเตอรี่ออกจากเครื่องมือ
- เครื่องมือนี้ติดตั้งตัวจับดอกสว่านแบบไมใช้กุญแจ เพื่อความสะดวกในการถอดเปลี่ยนดอกสว่านและหัวไขควง
 - ล็อคเครื่องมือให้อยู่ในตำแหน่งกลางโดยปรับปุ่มเลื่อนเดินหน้า/ถอยหลัง (2)
 - เปิดตัวจับดอกสว่านโดยใช้มือหนึ่งหมุนส่วนหน้า (11) ในขณะที่อีกมือหนึ่งจับส่วนหลัง (12) (ภาพ C)
 - สอดก้านดอกสว่าน (13) เข้าในตัวจับดอกสว่าน
 - ขันตัวจับดอกสว่านให้แน่น โดยใช้มือหนึ่งหมุนส่วนหน้า (11) ในขณะที่อีกมือหนึ่งจับส่วนหลัง (12)

การถอดและการใส่ตัวจับดอกสว่านกลับเข้าไป (ภาพ D)

- เปิดตัวจับดอกสว่านออกให้กว้างที่สุดเท่าที่จะเป็นไปได้
- ถอดสกรูยึดตัวจับดอกสว่านออกโดยใช้ไขควงหมุนตามเข็มนาฬิกา
- ชั้นประแจ Allen (14) เข้าในตัวจับดอกสว่านให้แน่นแล้วใช้ค้อนเคาะตามภาพ
- ถอดประแจ Allen ออก
- ถอดตัวจับดอกสว่านโดยหมุนทวนเข็มนาฬิกา
- หากต้องการใส่ตัวจับดอกสว่านกลับเข้าไปอีกครั้ง ให้ขันสกรูตัวจับดอกสว่านลงบนแกนหมุน แล้วยึดให้แน่นด้วยสกรูยึดตัวจับดอกสว่าน

การใช้งาน

⚠ คำเตือน! ให้เครื่องมือทำงานตามปกติ อย่าใช้งานเกินขีดความสามารถของเครื่อง

การชาร์จแบตเตอรี่

แบตเตอรี่จำเป็นต้องชาร์จไฟก่อนใช้งานครั้งแรก และทุกครั้งที่ให้กำลังไฟไม่พอสำหรับงานที่เคยทำเสร็จได้ง่าย เมื่อชาร์จไฟแบตเตอรี่ครั้งแรกหรือชาร์จไฟหลังจากไม่ได้ใช้งานเป็นเวลานาน แบตเตอรี่จะรับไฟชาร์จได้เพียง 80% เท่านั้น หลังจากชาร์จไฟและปล่อยประจุไฟหลายๆ รอบ แบตเตอรี่จะสามารถรับไฟได้เต็มทีอีกครั้ง แบตเตอรี่อาจอุ่นขึ้นในขณะที่ชาร์จ ซึ่งเป็นเรื่องปกติ ไม่ได้มีปัญหาแต่อย่างใด

⚠ คำเตือน! ห้ามชาร์จไฟแบตเตอรี่ที่อุณหภูมิบรรยากาศต่ำกว่า 4°C หรือสูงกว่า 40°C อุณหภูมิที่แนะนำสำหรับการชาร์จคือ: ประมาณ 24°C

เครื่องชาร์จที่ไม่มีแท่นชาร์จ (ภาพ E)

- การชาร์จแบตเตอรี่ชนิดนี้ ต้องแน่ใจว่าแบตเตอรี่ติดตั้งอยู่ในส่วนไฟฟ้าแล้ว
- เสียบหัวแจ็คเครื่องชาร์จ (9) เข้ากับขั้วต่อ (8)
- เสียบปลั๊กไฟเครื่องชาร์จ
- เปิดสวิตช์ที่แหล่งจ่ายไฟหลัก หลังจากใช้งานตามปกติ การชาร์จไฟเป็นเวลา 3 ชั่วโมง จะให้กำลังไฟเพียงพอสำหรับการใช้งานส่วนใหญ่ แต่หากชาร์จนานกว่านั้นหรือประมาณ 6 ชั่วโมง ก็จะสามารถเพิ่มเวลาในการใช้งานได้อย่างมาก ทั้งนี้ขึ้นอยู่กับ สภาพของแบตเตอรี่และสภาพแวดล้อมในการชาร์จ
- ถอดเครื่องมือออกจากเครื่องชาร์จ

⚠ คำเตือน! ห้ามใช้เครื่องมือในขณะที่ต่อกับเครื่องชาร์จอยู่

การเลือกทิศทางการหมุน

- สำหรับการเจาะและการขันสกรู ให้ใช้การหมุนไปข้างหน้า (ตามเข็มนาฬิกา) สำหรับการคลายสกรูหรือถอดดอกสว่านที่ติดขัด ให้ใช้การหมุนย้อนกลับ (ทวนเข็มนาฬิกา)
- หากต้องการเลือกการหมุนไปข้างหน้า ให้ดันปุ่มเลื่อนเดินหน้า/ถอยหลัง (2) ไปทางซ้าย
- หากต้องการเลือกการหมุนย้อนกลับ ให้ดันปุ่มเลื่อนเดินหน้า/ถอยหลัง ไปทางขวา
- หากต้องการล็อคเครื่องมือ ให้รับปุ่มเลื่อนเดินหน้า/ถอยหลัง ไปที่ตำแหน่งกลาง

การเลือกโหมดการทำงานหรือแรงขัน (ภาพ F)

เครื่องมือนี้มีปลอกหมุนสำหรับเลือกโหมดการทำงานและเพื่อปรับตั้งแรงขันสำหรับการขันสกรู สกรูตัวใหญ่และวัสดุชิ้นงานที่แข็งจะต้องปรับตั้งแรงขันสูงกว่าสกรูตัวเล็กและวัสดุชิ้นงานที่อ่อน ปลอกหมุนจะมีวิธีการปรับตั้งที่หลากหลาย เพื่อให้เหมาะสมกับการใช้งานของคุณ

- สำหรับการเจาะไม้ โลหะ และพลาสติก ให้ปรับตั้งปลอกหมุน (3) ไปที่ตำแหน่งเจาะโดยหมุนให้สัญลักษณ์อยู่ตรงกับขีด (15)
- สำหรับการขันสกรู ให้ปรับตั้งปลอกหมุนไปที่ตำแหน่งที่ต้องการ หากคุณไม่ทราบค่าการปรับตั้งที่เหมาะสม ให้ปฏิบัติตามดังต่อไปนี้:
 - ปรับตั้งปลอกหมุน (3) ไปที่ค่าแรงขันต่ำสุด
 - ขันสกรูตัวแรก
 - หากเฟืองหมุนไปก่อนจะได้ผลที่ต้องการ ให้เพิ่มค่าการปรับตั้งปลอกหมุน แล้วขันสกรูต่อ ทำซ้ำอีกครั้ง จนกว่าคุณจะได้ค่าการปรับตั้งที่ถูกต้อง ใช้ค่าการปรับตั้งนี้สำหรับการขันสกรูตัวอื่นๆ ที่เหลือ

การเปิดและปิดสวิตช์**สวิตช์ปรับระดับความเร็ว**

- กดสวิตช์ปรับระดับความเร็ว (1) เพื่อเปิดเครื่อง ความเร็วของเครื่องมือขึ้นอยู่กักระดับการกดเข้าของสวิตช์
- ปล่อยสวิตช์ปรับระดับความเร็ว (1) เพื่อปิดเครื่อง

**คำแนะนำเพื่อการใช้อย่างเหมาะสม
งานเจาะ**

- กดเบาๆ ตรงๆ ไปที่ดอกสว่านเสมอ
- ก่อนที่ปลายดอกสว่านจะทะลุผ่านไปอีกด้านของชิ้นงาน ให้ลดแรงกดที่เครื่องมือ
- วางแผ่นไม้ไว้ข้างหลังชิ้นงานที่อาจแตกออกได้
- ใช้ดอกสว่านแบบพลั่ว (Spade Bit) เมื่อเจาะรูที่มีเส้นผ่าศูนย์กลางขนาดใหญ่บนชิ้นไม้
- ใช้ดอกสว่าน HSS เมื่อเจาะโลหะ
- ใช้ดอกสว่านเจาะปูน เมื่อเจาะปูนที่ไม่แข็งมาก
- ใช้น้ำมันหล่อลื่นเมื่อเจาะโลหะอื่นที่ไม่ใช่เหล็กและทองเหลือง
- ทำร่องบากโดยใช้เหล็กเจาะนำศูนย์วางที่จุดกึ่งกลางของรูที่จะเจาะเพื่อความแม่นยำ

การขันสกรู

- ใช้หัวไขควงตามชนิดและขนาดที่ถูกต้องเสมอ
- หากสกรูขันยาก ให้ลองทาน้ำมันยาคัทซ์หรือสบูปริมาณเล็กน้อยที่สกรูเพื่อหล่อลื่น
- จับเครื่องมือและวางหัวไขควงในแนวขนานกับสกรูเสมอ

การบำรุงรักษา

เครื่องมือไฟฟ้า Black & Decker ออกแบบมาให้สามารถใช้งานได้อย่างยาวนานต่อเนื่อง โดยที่มีการบำรุงรักษาน้อยที่สุด การทำงานที่สร้างความพึงพอใจอย่างต่อเนื่องจะขึ้นอยู่กับการดูแลรักษาที่เหมาะสม และการทำงานสะอาดอย่างสม่ำเสมอ

⚠ คำเตือน: ก่อนจะดำเนินการบำรุงรักษาเครื่องมือให้ถอดแบตเตอรี่ออกจากเครื่องมือ ดึงปลั๊กเครื่องชาร์จก่อนทำความสะอาดเครื่องมือ

- ทำความสะอาดช่องระบายอากาศในเครื่องมือของคุณเป็นประจำโดยใช้แปรงขนอ่อนหรือผ้าแห้ง
- ทำความสะอาดตัวมอเตอร์เป็นประจำโดยใช้ผ้าชุบน้ำหมาดๆ
- ห้ามใช้น้ำยาทำความสะอาดที่มีฤทธิ์กัดกร่อนหรือมีส่วนผสมของตัวทำละลาย
- เปิดตัวจับดอกสว่านและเคาะเป็นประจำเพื่อจัดตั้งสกรูปรกภายใน

เครื่องมือนี้ผู้ใช้ไม่สามารถซ่อมเองได้ โปรดนำเครื่องมือไปซ่อมที่ศูนย์บริการ Black & Decker ที่ได้รับอนุญาต เครื่องชาร์จของคุณไม่จำเป็นต้องทำการบำรุงรักษาอื่นใดนอกเหนือจากการทำความสะอาดปกติ

ข้อควรระวัง

เพื่อความมั่นใจในความปลอดภัยและความน่าเชื่อถือ ควรให้ศูนย์บริการที่ได้รับอนุญาตหรือองค์กรอื่นที่มีความเชี่ยวชาญเป็นผู้ดำเนินการ ซ่อม บำรุงรักษา และปรับตั้ง (นอกเหนือจากที่ระบุในคู่มือเล่มนี้) รวมทั้งใช้อะไหล่ของแท้เสมอ เครื่องมือประกอบด้วยชิ้นส่วนภายใน ที่ผู้ใช้ไม่สามารถซ่อมเองได้

การทำความสะอาด

⚠ คำเตือน: เป่าสิ่งสกปรกและฝุ่นละอองที่สะสมออกจากตัวเครื่องเป็นประจำด้วยลมแห้ง เนื่องจากสิ่งสกปรกมักสะสมอยู่ภายในและรอบๆ ช่องระบายอากาศ สวมอุปกรณ์ป้องกันตาและหน้ากากกันฝุ่นที่ได้มาตรฐานเมื่อดำเนินการขั้นตอนนี้

⚠ คำเตือน: ห้ามใช้สารที่เป็นตัวทำละลายหรือสารเคมีที่มีฤทธิ์กัดกร่อนรุนแรงอื่น ๆ ทำความสะอาดชิ้นส่วนที่ไม่ใช่โลหะของเครื่องมือ สารเคมีเหล่านี้อาจส่งผลต่อวัสดุที่ใช้ในชิ้นส่วนเหล่านี้ ซึ่งเฉพาะผ้าชุบน้ำสบู่อ่อนเท่านั้น อย่าให้มีของเหลวค้างอยู่ภายในเครื่อง ห้ามจุ่มส่วนใด ๆ ของเครื่องมือลงในของเหลว

คำแนะนำในการทำความสะอาดเครื่องชาร์จ

⚠ คำเตือน: อันตรายจากไฟดูด ดึงปลั๊กเครื่องชาร์จจออกจากเต้ารับก่อนจะทำทำความสะอาด การขจัดสิ่งสกปรกและคราบไขมันออกจากพื้นผิวภายนอกเครื่องชาร์จ ทำได้โดยใช้ผ้าหรือแปรงขนนุ่มที่ไม่ใช่โลหะ ห้ามใช้น้ำหรือน้ำยาทำความสะอาดใดๆ

อุปกรณ์เสริม

ประสิทธิภาพการทำงานของเครื่องมือไฟฟ้าจะขึ้นอยู่กับอุปกรณ์เสริมที่ใช้ อุปกรณ์เสริมของ Black & Decker ได้รับการกำหนดโครงสร้างตามมาตรฐานคุณภาพระดับสูง และได้รับการออกแบบเพื่อให้เครื่องมือไฟฟ้ามีประสิทธิภาพสูงขึ้น

Black & Decker มีอุปกรณ์เสริมให้เลือกมากมายหลายแบบ หรือได้ที่ตัวแทนจำหน่ายของเราในพื้นที่ หรือศูนย์บริการที่ได้รับอนุญาต

⚠ ข้อควรระวัง: การใช้อุปกรณ์เสริมอื่นใดที่ไม่ได้แนะนำให้ใช้กับเครื่องมือนี้ อาจเป็นสาเหตุให้เกิดอันตรายได้

การปกป้องสิ่งแวดล้อม

✗ การเก็บรวบรวมแบบคัดแยก ห้ามทิ้งผลิตภัณฑ์นี้รวมกับขยะในครัวเรือนปกติ หากวันหนึ่งคุณพบว่า จำเป็นต้องเปลี่ยนผลิตภัณฑ์ Black & Decker ของคุณ หรือถ้าเครื่องมือนี้ไม่เป็นประโยชน์สำหรับคุณอีกต่อไป อย่าทิ้งผลิตภัณฑ์นี้รวมกับขยะในครัวเรือน จัดการกับผลิตภัณฑ์นี้เพื่อการเก็บรวบรวมแบบคัดแยก

♻ การเก็บรวบรวมแบบคัดแยกสำหรับบรรจุภัณฑ์และผลิตภัณฑ์ที่ใช้แล้วทำให้สามารถรีไซเคิลวัสดุและนำมาใช้งานอีกครั้ง การนำวัสดุรีไซเคิลมาใช้อีกครั้งจะช่วยป้องกันมลพิษต่อสิ่งแวดล้อมและลดความต้องการการวัตถุดิบ หากจำเป็น โปรดติดต่อกับเทศบาลท้องถิ่นของคุณเพื่อขอคำแนะนำในการกำจัดทิ้งที่เหมาะสมสำหรับเมือง/จังหวัดของคุณ

แบตเตอรี่

แบตเตอรี่ Black & Decker สามารถชาร์จไฟใหม่ได้หลายครั้ง แต่เมื่อหมดอายุการใช้งาน ให้กำจัดทิ้งแบตเตอรี่โดยคำนึงถึงสิ่งแวดล้อมของเรา:

ปล่อยให้แบตเตอรี่คายประจุไฟจนหมด จากนั้นถอดแบตเตอรี่ออกจากเครื่องมือ

แบตเตอรี่ NiCd และ NiMH เป็นชนิดที่รีไซเคิลได้ โปรดนำแบตเตอรี่ดังกล่าวไปยังศูนย์รีไซเคิลในท้องถิ่น

ข้อมูลเกี่ยวกับการบริการ

Black & Decker มีเครือข่ายของศูนย์บริการเต็มรูปแบบ ทั้งที่บริษัทเป็นเจ้าของและที่ได้รับอนุญาต และมีสาขาอยู่ทั่วทั้งเอเชีย ศูนย์บริการ Black & Decker ทั้งหมดมีพนักงานที่ผ่านการฝึกอบรมเป็นอย่างดี สามารถให้บริการเกี่ยวกับเครื่องมือไฟฟ้าได้อย่างมีประสิทธิภาพและไว้วางใจได้ ไม่ว่าคุณจะต้องการคำแนะนำด้านเทคนิค การซ่อมแซม หรืออะไหล่ของแท้จากโรงงาน โปรดติดต่อศูนย์บริการ Black & Decker ใกล้บ้านคุณ

หมายเหตุ

- นโยบายของ Black & Decker คือการพัฒนาผลิตภัณฑ์ของเราอย่างต่อเนื่อง ดังนั้นเราจึงขอสงวนสิทธิ์ในการเปลี่ยนแปลงข้อมูลเฉพาะของผลิตภัณฑ์โดยไม่แจ้งให้ทราบล่วงหน้า
- อุปกรณ์มาตรฐานและอุปกรณ์เสริม อาจแตกต่างกันไปในแต่ละประเทศ
- ข้อมูลเฉพาะของผลิตภัณฑ์อาจแตกต่างกันไปในแต่ละประเทศ
- ผลิตภัณฑ์บางรุ่นอาจไม่มีในบางประเทศ โปรดติดต่อตัวแทนจำหน่าย Black & Decker ในท้องถิ่นของคุณเพื่อขอทราบข้อมูลรุ่นที่มีจำหน่าย

