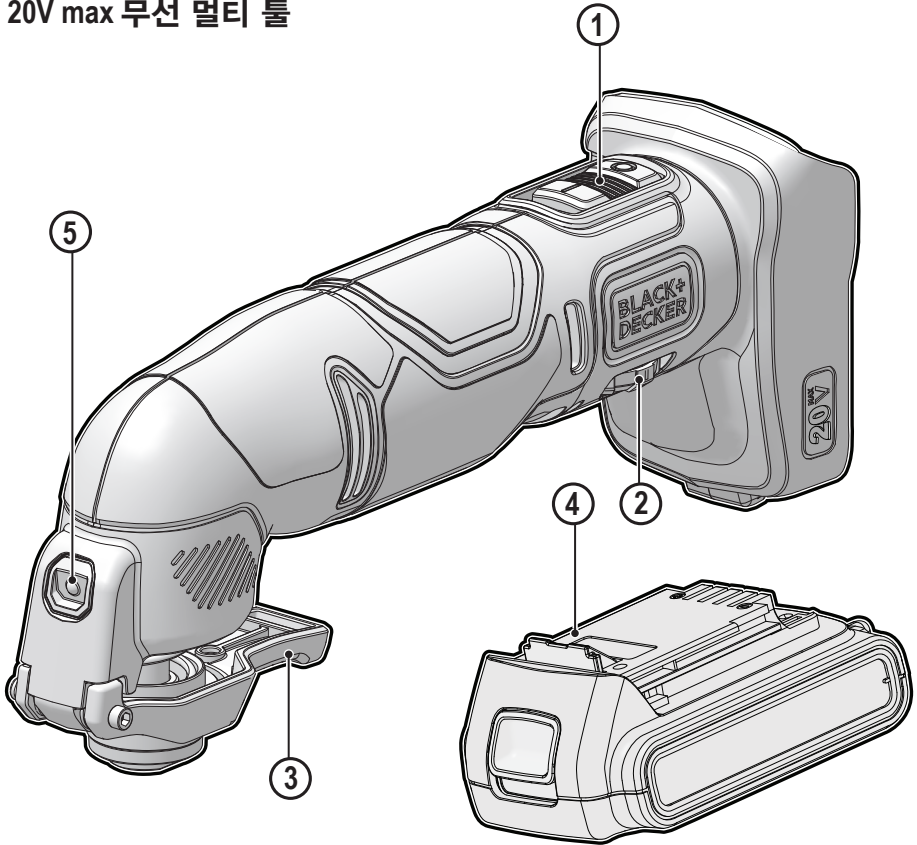


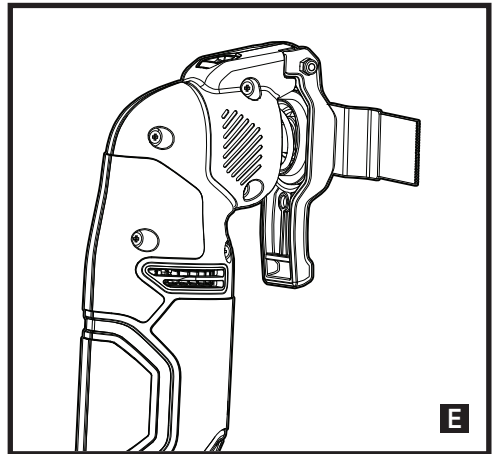
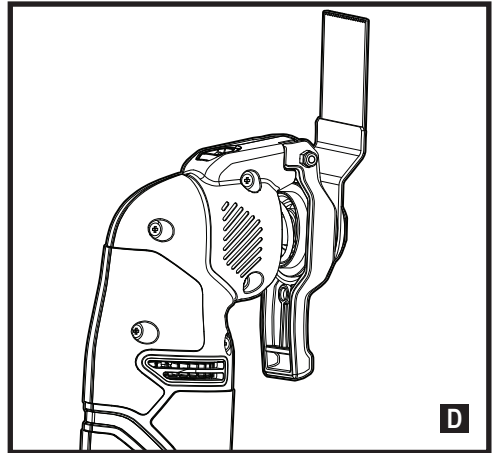
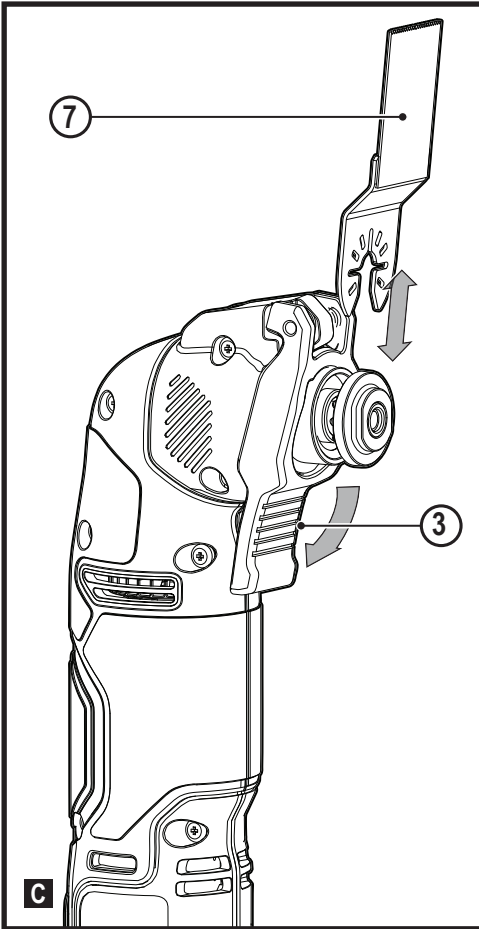
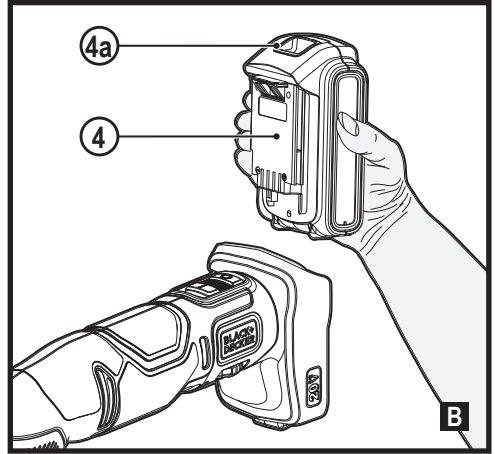
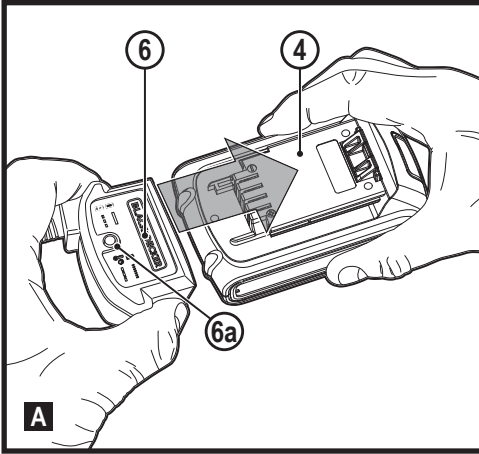


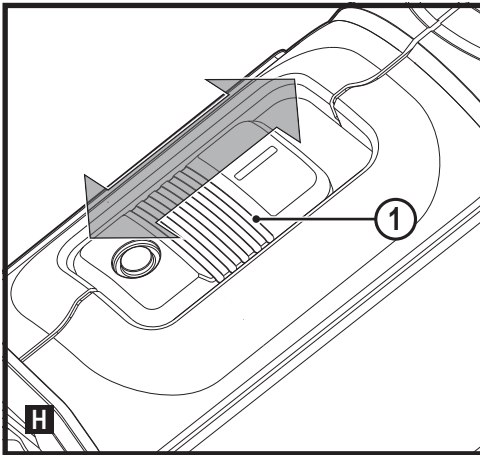
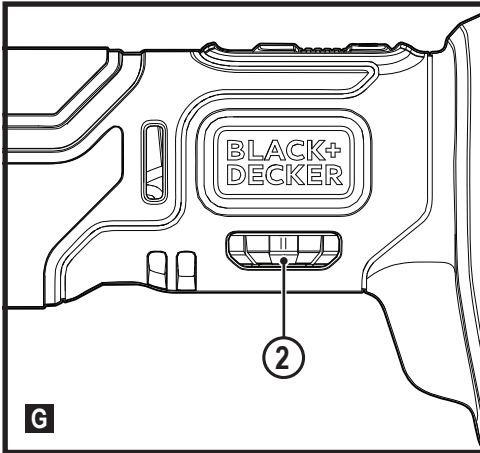
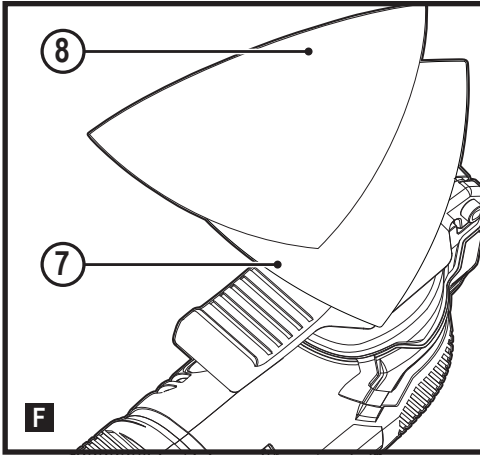
20V Max Cordless Oscillating Tool  
20V max 무선 멀티 툴



BDCOS18

English  
한국어





## Intended use

Your BLACK+DECKER BDCOS18 oscillating tool has been designed for DIY applications such as sanding operations. It is also suitable for cutting wooden materials, plastic, gypsum, non-ferrous metals and fastening elements (e.g., unhardened nails, staples), working soft wall tiles and scraping of small surfaces. This tool is intended for consumer use only.

## Safety instructions

### General power tool safety warnings



**Warning! Read all safety warnings, instructions, illustrations and specifications provided with this power tool.** Failure to follow all instructions listed below may result in electric shock, fire and/or serious injury.

### Save all warnings and instructions for future reference.

The term "power tool" in the warnings refers to your mains-operated (corded) power tool or battery-operated (cordless) power tool.

#### 1. Work area safety

- a. **Keep work area clean and well lit.** Cluttered or dark areas invite accidents.
- b. **Do not operate power tools in explosive atmospheres, such as in the presence of flammable liquids, gases or dust.** Power tools create sparks which may ignite the dust or fumes.
- c. **Keep children and bystanders away while operating a power tool.** Distractions can cause you to lose control.

#### 2. Electrical safety

- a. **Power tool plugs must match the outlet. Never modify the plug in any way. Do not use any adapter plugs with earthed (grounded) power tools.** Unmodified plugs and matching outlets will reduce risk of electric shock.
- b. **Avoid body contact with earthed or grounded surfaces such as pipes, radiators, ranges and refrigerators.** There is an increased risk of electric shock if your body is earthed or grounded.
- c. **Do not expose power tools to rain or wet conditions.** Water entering a power tool will increase the risk of electric shock.
- d. **Do not abuse the cord. Never use the cord for carrying, pulling or unplugging the power tool. Keep cord away from heat, oil, sharp edges or moving parts.** Damaged or entangled cords increase the risk of electric shock.
- e. **When operating a power tool outdoors, use an extension cord suitable for outdoor use.** Use of a cord

suitable for outdoor use reduces the risk of electric shock.

- f. **If operating a power tool in a damp location is unavoidable, use a residual current device (RCD) protected supply.** Use of an RCD reduces the risk of electric shock.

#### 3. Personal safety

- a. **Stay alert, watch what you are doing and use common sense when operating a power tool. Do not use a power tool while you are tired or under the influence of drugs, alcohol or medication.** A moment of inattention while operating power tools may result in serious personal injury.
  - b. **Use personal protective equipment. Always wear eye protection.** Protective equipment such as a dust mask, non-skid safety shoes, hard hat, or hearing protection used for appropriate conditions will reduce personal injuries.
  - c. **Prevent unintentional starting. Ensure the switch is in the off-position before connecting to power source and/or battery pack, picking up or carrying the tool.** Carrying power tools with your finger on the switch or energising power tools that have the switch on invites accidents.
  - d. **Remove any adjusting key or wrench before turning the power tool on.** A wrench or a key left attached to a rotating part of the power tool may result in personal injury.
  - e. **Do not overreach. Keep proper footing and balance at all times.** This enables better control of the power tool in unexpected situations.
  - f. **Dress properly. Do not wear loose clothing or jewellery. Keep your hair, clothing away from moving parts.** Loose clothes, jewellery or long hair can be caught in moving parts.
  - g. **If devices are provided for the connection of dust extraction and collection facilities, ensure these are connected and properly used.** Use of dust collection can reduce dust-related hazards.
  - h. **Do not let familiarity gained from frequent use of tools allow you to become complacent and ignore tool safety principles.** A careless action can cause severe injury within a fraction of a second.
- #### 4. Power tool use and care
- a. **Do not force the power tool. Use the correct power tool for your application.** The correct power tool will do the job better and safer at the rate for which it was designed.
  - b. **Do not use the power tool if the switch does not turn it on and off.** Any power tool that cannot be controlled with the switch is dangerous and must be repaired.

- c. **Disconnect the plug from the power source and/or remove the battery pack, if detachable, from the power tool before making any adjustments, changing accessories, or storing power tools.** Such preventive safety measures reduce the risk of starting the power tool accidentally.
- d. **Store idle power tools out of the reach of children and do not allow persons unfamiliar with the power tool or these instructions to operate the power tool.**  
Power tools are dangerous in the hands of untrained users.
- e. **Maintain power tools and accessories. Check for misalignment or binding of moving parts, breakage of parts and any other condition that may affect the power tool's operation. If damaged, have the power tool repaired before use.** Many accidents are caused by poorly maintained power tools.
- f. **Keep cutting tools sharp and clean.** Properly maintained cutting tools with sharp cutting edges are less likely to bind and are easier to control.
- g. **Use the power tool, accessories and tool bits etc. in accordance with these instructions, taking into account the working conditions and the work to be performed.**  
Use of the power tool for operations different from those intended could result in a hazardous situation.
- h. **Keep handles and grasping surfaces dry, clean and free from oil and grease.** Slippery handles and grasping surfaces do not allow for safe handling and control of the tool in unexpected situations.

## 5. Battery tool use and care

- a. **Recharge only with the charger specified by the manufacturer.**  
A charger that is suitable for one type of battery pack may create a risk of fire when used with another battery pack.
- b. **Use power tools only with specifically designated battery packs.** Use of any other battery packs may create a risk of injury and fire.
- c. **When battery pack is not in use, keep it away from other metal objects, like paper clips, coins, keys, nails, screws, or other small metal objects, that can make a connection from one terminal to another.**  
Shorting the battery terminals together may cause burns or a fire.
- d. **Under abusive conditions, liquid may be ejected from the battery; avoid contact. If contact accidentally occurs, flush with water. If liquid contacts eyes, additionally seek medical help.** Liquid ejected from the battery may cause irritation or burns.
- e. **Do not use a battery pack or tool that is damaged or modified.** Damaged or modified batteries may exhibit

unpredictable behaviour resulting in fire, explosion or risk of injury.

- f. **Do not expose a battery pack or tool to fire or excessive temperature.** Exposure to fire or temperature above 130 °C may cause explosion.
- g. **Follow all charging instructions and do not charge the battery pack or tool outside the temperature range specified in the instructions.** Charging improperly or at temperatures outside the specified range may damage the battery and increase the risk of fire.

## 6. Service

- a. **Have your power tool serviced by a qualified repair person using only identical replacement parts.**  
This will ensure that the safety of the power tool is maintained.
- b. **Never service damaged battery packs.** Service of battery packs should only be performed by the manufacturer or authorized service providers.

## Additional power tool safety warnings



**Warning!** Warning! Additional safety warnings for Oscillating tools

- ◆ **Hold power tool by insulated gripping surfaces, when performing an operation where the cutting accessory may contact hidden wiring.** Cutting accessory contacting a "live" wire may make exposed metal parts of the power tool "live" and could give the operator an electric shock.
- ◆ **Use clamps or another practical way to secure and support the workpiece to a stable platform.**  
Holding the work by hand or against your body leaves it unstable and may lead to loss of control.



**Warning!** Contact with or inhalation of dusts arising from sanding applications may endanger the health of the operator and possible bystanders. Wear a dust mask specifically designed for protection against dust and fumes and ensure that persons within or entering the work area are also protected.

- ◆ **Thoroughly remove all dust after sanding.**
- ◆ **Take special care when sanding paint which is possibly lead based or when sanding some woods and metal which may produce toxic dust:**
  - ◆ Do not let children or pregnant women enter the work area.
  - ◆ Do not eat, drink or smoke in the work area.
  - ◆ Dispose of dust particles and any other debris safely.
- ◆ The intended use is described in this instruction manual. The use of any accessory or attachment or performance

of any operation with this tool other than those recommended in this instruction manual may present a risk of personal injury and/or damage to property.

- ◆ The accessory will continue to move after releasing the switch. Always switch the tool off and wait for the accessory to come to a complete standstill before putting the tool down.
- ◆ **Keep hands away from cutting area.** Never reach underneath the work piece any reason. Do not insert fingers or thumb into the vicinity of the reciprocating blade and blade clamp. Do not stabilize the saw by gripping the shoe.
- ◆ **Keep blades sharp.** Dull or damaged blades may cause the saw to swerve or stall under pressure. Always use the appropriate type of saw blade for the workpiece material and type of cut.
- ◆ **When cutting pipe or conduit, make sure that they are free from water, electrical wiring, etc.**
- ◆ **Do not touch the workpiece or the blade immediately after operating the tool.** They can become very hot.
- ◆ **Be aware of hidden hazards, before cutting into walls, floors or ceilings, check for the location of wiring and pipes.**

### Safety of others

- ◆ This appliance is not intended for use by persons (including children) with reduced physical, sensory or mental capabilities, or lack of experience and knowledge, unless they have been given supervision or instruction concerning use of the appliance by a person responsible for their safety.
- ◆ Children should be supervised to ensure that they do not play with the appliance.

### Residual risks.

Additional residual risks may arise when using the tool which may not be included in the enclosed safety warnings. These risks can arise from misuse, prolonged use etc. Even with the application of the relevant safety regulations and the implementation of safety devices, certain residual risks can not be avoided. These include:

- ◆ Injuries caused by touching any rotating/moving parts.
- ◆ Injuries caused when changing any parts, blades or accessories.
- ◆ Injuries caused by prolonged use of a tool. When using any tool for prolonged periods ensure you take regular breaks.
- ◆ Impairment of hearing.
- ◆ Health hazards caused by breathing dust developed when using your tool (example:- working with wood, especially oak, beech and MDF.)

### Labels on tool

The following pictograms are shown on the tool along with the date code:



**Warning!** To reduce the risk of injury, the user must read the instruction manual.



Do not stare at operating lamp.

### Additional safety instructions for batteries and chargers

#### Batteries

- ◆ Never attempt to open for any reason.
- ◆ Do not expose the battery to water.
- ◆ Do not store in locations where the temperature may exceed 40 °C.
- ◆ Charge only at ambient temperatures between 10 °C and 40 °C.
- ◆ Charge only using the charger provided with the tool.
- ◆ When disposing of batteries, follow the instructions given in the section "Protecting the environment".



Do not attempt to charge damaged batteries.

#### Chargers

- ◆ Use your BLACK+DECKER charger only to charge the battery in the tool with which it was supplied. Other batteries could burst, causing personal injury and damage.
- ◆ Never attempt to charge non-rechargeable batteries.
- ◆ Have defective cords replaced immediately.
- ◆ Do not expose the charger to water.
- ◆ Do not open the charger.
- ◆ Do not probe the charger.



The charger is intended for indoor use only.



Read the instruction manual before use.

## Electrical safety



Your charger is double insulated; therefore no earth wire is required. Always check that the mains voltage corresponds to the voltage on the rating plate. Never attempt to replace the charger unit with a regular mains plug.

- ◆ If the supply cord is damaged, it must be replaced by the manufacturer or an authorised BLACK+DECKER Service Centre in order to avoid a hazard.

## Features

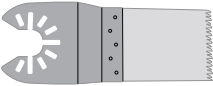

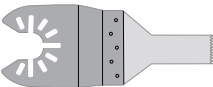

This tool includes some or all of the following features.

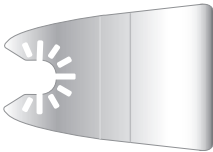

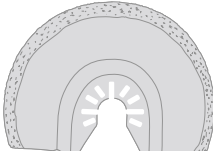
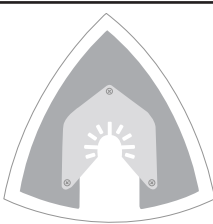
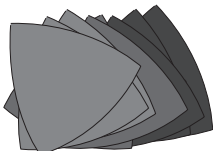
1. On/Off switch
2. Variable speed dial
3. Super-lok™ Tool free accessory clamping lever
4. Battery
5. LED Work light

## Accessories

This tool includes some or all of the following accessories. The performance of your tool depends on the accessory used. BLACK+DECKER accessories are engineered to high quality standards and designed to enhance the performance of your tool.

By using these accessories you will get the very best from your tool.

	<p><b>Precision plunge cut saw blade for wooden materials, soft plastics.</b> Separating, plunge and flush cutting of wood and soft plastics. Ideal for working on doors, skirting boards, windowsills and flooring.</p>
	<p><b>Plunge cut saw blade for wood and metal.</b> Separating, plunge and flush cutting of wood, plastics, thin-walled non-ferrous pipes and extrusions, nails and screws.</p>
	<p><b>Plunge cut saw blade for wood and metal.</b> Separating, plunge and flush cutting of wood, plastics, thin-walled non-ferrous pipes and extrusions.</p>
	<p><b>Segmented saw blade.</b> Long life blade which is ideal for cutting wood, plastics, thin walled ferrous and non-ferrous material.</p>

	<p><b>Rigid scraper.</b> Ideal for removal of hard and soft material from flat surfaces such as the removal of vinyl flooring, bonded carpet adhesive, tile floor adhesive, grout, paint and varnish.</p>
	<p><b>Flexible scraper.</b> Ideal for removal of elastomer materials from hard flat surfaces in difficult to reach areas such as silicon sealant and other caulking materials.</p>
	<p><b>Carbide grout removal blade.</b> Carbide coated surface ideal for clearing grout and tile adhesive from flat surfaces and for fast stock removal of wood, chipboard and fibreglass.</p>
	<p><b>Carbide rasp.</b> Carbide coated surface ideal for grout removal and for fast stock removal of plastics, chipboard and fibreglass.</p>
	<p><b>Sanding Sheets.</b> Various grades for sanding of wood, painted and varnished surfaces.</p>

## Charging the battery (fig. A)

The battery needs to be charged before first use and whenever it fails to produce sufficient power on jobs that were easily done before. The battery may become warm while charging; this is normal and does not indicate a problem.



**Warning!** Do not charge the battery at ambient temperatures below 10 °C or above 40 °C). Recommended charging temperature: approx. 24 °C.

**Note:** The charger will not charge a battery if the cell temperature is below approximately 10 °C or above 40 °C). The battery should be left in the charger and the charger will begin to charge automatically when the cell temperature warms up or cools down.

- ◆ To charge the battery (4), insert it into the charger (6). The battery will only fit into the charger in one way.

Do not force. Be sure that the battery is fully seated in the charger.

- ◆ Plug in the charger and switch on at the mains.
- ◆ The charging indicator (6a) will blink.

The charge is complete when the charging indicator (6a) switches to continuously on. The charger and the battery can be left connected indefinitely. The LED will switch on as the charger occasionally tops up the battery charge.

- ◆ Charge discharged batteries within 1 week. Battery life will be greatly diminished if stored in a discharged state.

### Leaving the battery in the charger

The charger and battery pack can be left connected with the LED glowing indefinitely. The charger will keep the battery pack fresh and fully charged.

### Charger diagnostics

If the charger detects a weak or damaged battery, the charging indicator (6a) will flash red at a fast rate. Proceed as follows:

- ◆ Re-insert the battery (4).
- ◆ If the charging indicators continues flashing red at a fast rate, use a different battery to determine if the charging process works properly.
- ◆ If the replaced battery charges correctly, the original battery is defective and should be returned to a service centre for recycling.
- ◆ If the new battery gives the same indication as the original battery, take the charger to be tested at an authorised services centre.

**Note: It may take as long as 30 minutes to determine that the battery is defective. If the battery is too hot or too cold, the LED will alternately blink red, fast and slow, one flash at each speed and repeat.**

### Fitting and removing the battery (fig. B)

- ◆ To fit the battery (4), line it up with the receptacle on the tool. Slide the battery into the receptacle and push until the battery snaps into place.
- ◆ To remove the battery, push the release buttons (4a) while at the same time pulling the battery out of the receptacle.

### Fitting and removing the accessories (fig. C–F)

**Warning!** Before fitting an accessory, disconnect the tool from the mains supply/Remove battery from tool.

#### Fitting a BLACK+DECKER accessory (fig. C-F)

- ◆ Hold the tool and squeeze the accessory clamping lever (3).
- ◆ Slide the accessory (7) between the shaft and the accessory holder making sure the accessory engages all eight pins on the holder and is flush with the shaft.

- ◆ Release the accessory clamping lever.

**Note:** Some accessories, such as scrapers and blades can be mounted at an angle if required (fig. E).

#### Removing a BLACK+DECKER accessory (fig. C)

- ◆ Hold the tool and squeeze the accessory clamping lever (3).
- ◆ Pull the accessory from the tool making sure the accessory dis-engages from all eight pins on the holder.
- ◆ Release the accessory clamping lever.



**Warning!** Gloves must be worn when removing accessories as they may become hot during use.

#### Fitting a sanding sheet (fig. F)

- ◆ Line up the sanding sheet (8) with the sanding base (7) as shown.
- ◆ Press the sheet firmly and evenly onto the sanding base, making sure that the holes in the sheet coincide with the holes in the base.

#### Removing a sanding sheet

- ◆ Pull the sanding sheet off the sanding base (7).



**Warning!** Never use the sanding base without a sanding sheet or accessory in place.

#### Variable speed control (fig. G)

The variable speed control allows you to adapt the speed of the tool to the application.

- ◆ Set the variable speed dial (2) to the desired setting. At setting 1 the tool will operate at low speed, 8,000 min-1. At setting 6 the tool will operate at the maximum speed, 18,000 min-1.

#### Switching on and off (fig. H)

- ◆ To switch the tool on, slide the on/off switch (1) forward (position I).
- ◆ To switch the tool off, slide the on/off switch (1) to the rear (position O).

#### LED work light

The LED work light (5) is activated automatically when the tool is switched on.

#### Low-battery Indicator

If the LED worklight (5) begins to rapidly and continuously flash when the switch on the tool is depressed, the battery-pack power has run out, and the battery pack should be recharged.

Unlike other battery pack types, Lithium-Ion battery packs



deliver fade-free power for their entire run time. The tool will not experience a slow, gradual loss of power as you work. To signal that the battery pack is at the end of its run time and needs to be charged, the power to the tool will drop quickly. Note: The LED may also flash due to an overload or high temperature (see Battery Protection).

## Hints for optimum use

- ◆ Always hold the tool securely. For precision work, hold the tool near the front.
- ◆ Clamp the workpiece whenever possible, especially when using cutting blades.
- ◆ Do not exert too much pressure on the tool.
- ◆ Always use the appropriate type of attachment for the workpiece material and type of cut.
- ◆ Regularly check the condition of accessories. Replace when necessary.
- ◆ Mark the desired starting point.
- ◆ Switch the tool on and slowly feed attachments into the workpiece at the desired starting point.
- ◆ Clamp a piece of plywood or soft wood to the back of the workpiece and saw through the combination in order to obtain a clear cut.
- ◆ Do not force the cutting blade into the workpiece. Note that cutting sheet metal will normally take more time than sawing thicker wooden workpieces.
- ◆ When cutting metal spread a thin film of oil along the cutting line before cutting.
- ◆ When sanding new layers of paint before applying another layer, use extra fine grit.
- ◆ On very uneven surfaces, or when removing layers of paint, start with a coarse grit. On other surfaces, start with a medium grit. In both cases, gradually change to a fine grit for a smooth finish.
- ◆ Consult your retailer for more information on available accessories.

## Maintenance

Your BLACK+DECKER corded/cordless appliance/tool has been designed to operate over a long period of time with a minimum of maintenance. Continuous satisfactory operation depends upon proper tool care and regular cleaning.

**Warning!** Before performing any maintenance on corded/cordless power tools:

- ◆ Switch off and unplug the appliance/tool.
- ◆ Or switch off and remove the battery from the appliance/tool if the appliance/tool has a separate battery pack.
- ◆ Or run the battery down completely if it is integral and then switch off.
- ◆ Regularly clean the ventilation slots in your appliance/tool/

charger using a soft brush or dry cloth.

- ◆ Regularly clean the motor housing using a damp cloth. Do not use any abrasive or solvent-based cleaner.

## Protecting the environment



Separate collection. Products and batteries marked with this symbol must not be disposed of with normal household waste.

Products and batteries contain materials that can be recovered or recycled reducing the demand for raw materials. Please recycle electrical products and batteries according to local provisions. Further information is available at [www.2helpU.com](http://www.2helpU.com).

## Technical data

		BDCOS18
Voltage	V <sub>DC</sub>	18V (20V Max)
No-load speed	min <sup>-1</sup>	8000 - 18000
Oscillating angle	Degrees	2.8
Weight	kg	1.4

Charger		906349**
Input Voltage	V <sub>AC</sub>	220 - 240
Output Voltage	V <sub>DC</sub>	18V
Current	A	1

Battery		BL1518	BL2018	BL4018
Voltage	V <sub>DC</sub>	18V (20V Max)	18V (20V Max)	18V (20V Max)
Capacity	Ah	1.5	2.0	4.0
Type		Li-Ion	Li-Ion	Li-Ion

## **Service Information**

BLACK+DECKER offers a full network of company-owned and authorized service locations throughout Asia. All BLACK+DECKER Service Centers are staffed with trained personnel to provide customers with efficient and reliable product service.

Whether you need technical advice, repair, or genuine factory replacement parts, contact the BLACK+DECKER location nearest to you.

## **Note**

- ◆ BLACK+DECKER's policy is one of continuous improvement to our products and, as such, we reserve the right to change product specifications without prior notice.
- ◆ Standard equipment and accessories may vary by country.
- ◆ Product specifications may differ by country.
- ◆ Complete product range may not be available in all countries. Contact your local BLACK+DECKER dealers for range availability.

## 용도

BLACK+DECKER BDCOS18 전동 공구는 샌딩 작업과 같은 DIY 작업 수행을 위해 설계되었습니다. 또한 목재 재료, 플라스틱, 석고, 비철 금속 및 고정 요소 (예: 경화되지 않은 못, 스테이플) 절단, 부드러운 벽 타일 작업 및 작은 표면의 스크래핑 작업에도 적합합니다. 본 공구는 소비재 전용입니다.

## 안전 설명서

### 전동 공구에 관한 일반 안전 경고



**경고!** 본 전동 공구와 함께 제공된 모든 안전 경고, 지침, 그림 및 사양을 숙지하신 후에 사용하기 바랍니다. 아래 설명한 모든 지시 사항을 따르지 않으면 감전, 화재 및/또는 심각한 부상을 초래할 수 있습니다.

항후 참고할 수 있도록 모든 경고 및 지시 사항을 보관해두십시오. 경고에서 사용된 "전동 공구" 라는 용어는 주 공급 전원에 의해 전기가 공급되는 (유선) 전동 공구 또는 충전식 (무선) 전동 공구를 의미합니다.

### 1. 작업장 안전

- 작업장을 항상 청결하고 밝게 유지하십시오.** 혼잡하거나 어두운 작업장에서는 사고가 발생하기 쉽습니다.
- 가연성 액체, 가스 또는 먼지 등이 있는 폭발성 대기에서 전동 공구를 사용하지 마십시오.** 전동 공구에서 먼지나 가스를 발하시킬 수 있는 불꽃이 될 수 있습니다.
- 전동 공구로 작업하는 동안에는 어린이와 주변 사람들이 작업 영역에 가까이 들어오지 못하도록 하십시오.** 주의가 산만 해지면 통제력을 잃을 수 있습니다.

### 2. 전기 안전

- 전동 공구의 플러그는 콘센트와 형식이 일치해야 하며, 플러그를 어떤 형태로든 개조하지 마십시오.** 또한 접지된 전동공구에 다른 어댑터 플러그를 사용하지 마십시오. 개조되지 않은 플러그 및 형식이 일치하는 콘센트를 사용하면 감전 위험이 줄어듭니다.
- 파이프 관, 라디에이터, 렌치, 냉장고 등의 접지 표면에 물이 닿지 않도록 하십시오.** 몸에 닿을 경우 감전이 될 위험이 높아집니다.
- 전동 공구를 비 또는 습한 환경에 노출하지 않도록 주의하십시오.** 전동 공구에 물이 들어가면 감전 위험이 높아집니다.
- 코드를 함부로 다루지 마십시오.** 코드를 사용하여 전동 공구를 운반하거나, 코드를 과도하게 잡아당겨서 플러그를 뽑지 않도록 주의하십시오. 전열 코드가 열기 또는 오일과 접촉되는 것을 피하고, 날카로운 모서리 또는 기기의 기동 부위에 닿지 않도록 주의하십시오. 코드가 손상되거나 얽혀 있으면 감전 위험이 높아집니다.
- 전동 공구를 실외에서 사용할 때는 실외 사용에 적합한 연장 코드를 사용하십시오.** 실외 사용에 적합한 코드를 사용하면 감전 위험이 줄어듭니다.

- 전동공구를 습한 공간에서 사용할 경우, 반드시 누전 차단기를 사용하십시오.** 누전 차단기 (RCD) 를 사용하면 감전의 위험이 줄어듭니다. RCD 를 사용하면 감전 위험이 줄어듭니다.

### 3. 신체 안전 사항

- 전동 공구를 작동할 때는 경계를 유지하고 수평 중인 작업을 주의 깊게 살펴보고 상식을 사용하십시오.** 피곤한 상태이거나 약물, 술, 치료제를 복용한 상태에서는 전동 공구를 사용하지 마십시오. 전동 공구를 작동하는 동안 잠시 부주의하면 심각한 부상을 입을 수 있습니다.
- 신체 보호 장비를 착용하십시오. 항상 보안경을 착용하십시오.** 적절한 상황에서 방진 마스크, 미끄럼 방지 안전화, 안전모 또는 청력 보호 기구 등의 보호 장비를 사용하면 신체 부상 위험이 줄어듭니다.
- 의도하지 않은 장비 가동 방지. 전원 및 / 또는 배터리 팩에 연결한 상태로 공구를 선택 또는 운반할 때는 사전에 스위치가 꺼짐 위치에 있는지 반드시 확인하십시오.** 스위치가 꺼짐 위치에 있는 상태에서 스위치에 손가락이 닿은 상태로 전동 공구를 운반하거나 전동 공구에 전원을 공급하면 사고가 발생합니다.
- 전동 공구를 켜기 전에 모든 조정 키 또는 렌치를 제거하십시오.** 전동 공구의 회전 부품에 렌치나 키가 부착되어 있으면 부상을 당할 수 있습니다.
- 지나치게 손을 뺀지 마십시오. 항상 적절한 발판과 균형을 유지하십시오.** 안정된 자세로 작업을 할 경우 전동 공구를 안전하게 사용할 수 있습니다.
- 작업에 적절한 의복을 착용하십시오. 헐렁한 옷이나 장신구를 착용하지 마십시오. 머리카락과 옷이 움직이는 부품에 닿지 않도록 유의하십시오.** 헐렁한 옷, 장신구 또는 긴 머리가 움직이는 부품에 걸 수 있습니다.
- 먼지 배출 및 집진 시설 연결을 위한 장치가 제공된 경우, 이들 장치가 연결되어 적절히 사용되고 있는지 반드시 확인하십시오.** 집진 장치를 사용하면 먼지와 관련된 위험을 줄일 수 있습니다.
- 공구를 자주 사용하여 익숙해진 경우에도 안전을 위해 공구 안전 원칙을 반드시 지켜 주십시오.** 부주의한 행동은 순식간에 심각한 부상을 초래할 수 있습니다.

### 4. 전동 공구 사용 및 관리

- 전동 공구에 무리한 힘을 가하지 마십시오.** 해당 용도에 맞는 올바른 전동 공구를 사용하십시오. 올바른 전동 공구를 사용해야 설계된 속도로 작업을 더욱 안전하고 정확하게 수행할 수 있습니다.
- 꺼지지 않거나 꺼지지 않는 경우 전동 공구를 사용하지 마십시오.** 스위치로 제어되지 않는 전동 공구는 위험하므로 수리해야 합니다.
- 전동 공구를 조정하거나 액세서리를 변경하거나 보관하기 전에 전동 공구에서 분리되는 경우 전원에서 플러그를 뽑거나 또는 배터리 팩을 분리하십시오.** 이러한 예방적 안전 조치를 따라야 전동 공구가 갑자기 작동할 위험이 줄어듭니다.
- 사용하지 않는 전동 공구는 어린이의 손이 닿지 않는 곳에 보관하고, 전동 공구나 본 지시 사항에 익숙하지 않은 사람이 전동 공구를 절대 사용하지 못하게 하십시오.**

전동 공구는 훈련을 받지 않은 사용자가 다루면 위험합니다

- e. **전동 공구 및 액세서리 유지 보수, 움직이는 부품의 잘못된 정렬이나 바인딩, 부품 파손 및 기타 전동 공구의 작동에 영향을 미칠 수 있는 기타 모든 상태를 확인하십시오. 손상된 부분이 있는 경우 사용하기 전에 전동 공구를 수리하십시오.** 많은 사고는 전동 공구를 제대로 유지 보수하지 않아 발생합니다.
- f. **공구를 깨끗한 상태로 유지하십시오.** 절삭 가장자리를 예리하게 잘 유지하면 절삭기를 사용할 때 바인딩이 적고 다루기가 용이합니다.
- g. **작업 환경과 수행할 작업을 고려하여, 본 지시 사항에 따라 전동 공구, 액세서리 및 톨 비트 등을 사용하십시오.** 본 사용 설명서의 내용과 다른 용도로 전동 공구를 사용하면 위험한 상황이 발생할 수 있습니다.
- h. **손잡이와 그래스핑 표면을 건조하고 깨끗하게 유지하고 기름과 기름 때가 묻지 않도록 하십시오.** 손잡이와 그래스핑 표면이 미끄러운 경우 예기치 않은 상황에서 공구의 안전한 취급과 제어가 어려울 수 있습니다.

## 5. 배터리 공구 사용 및 주의 사항

- a. **다시 충전할 때는 제조업체에서 지정한 충전기만 사용하십시오.** 하나의 배터리 팩 유형에 적합한 충전기를 다른 배터리 팩과 함께 사용할 경우 화재의 위험이 있습니다.
- b. **전동 공구를 사용할 때는 구체적으로 지정되어 있는 배터리 팩만 사용하십시오.** 다른 배터리 팩을 사용하면 부상을 입거나 화재의 위험이 있습니다.
- c. **배터리 팩을 사용하지 않을 때에는 클립, 동전, 키, 못, 나사 등의 금속 물체나, 단자 간에 연결할 수 있는 작은 금속 물체가 닿지 않도록 멀리 두십시오.** 배터리 단자가 단락되면 화상을 입거나 화재의 위험이 있습니다.
- d. **배터리를 과다 사용하면 액체가 배터리에서 흘러나올 수 있으므로, 접촉을 피하십시오.** 실수로 접촉한 경우에는 물로 씻으십시오. 액체가 눈에 들어간 경우 치료를 받으십시오. 배터리에서 나온 액체는 통증을 유발하거나 화상을 입힐 수 있습니다.
- e. **손상되거나 개조된 배터리 팩이나 공구를 사용하지 마십시오.** 손상되거나 개조된 배터리는 예측할 수 없는 작용을 보여, 화재, 폭발 또는 부상 위험을 야기할 수 있습니다.
- f. **배터리 팩 또는 공구를 불이나 과도한 온도에 노출하지 마십시오.** 불 또는 130 °C 이상의 온도에 노출되면 폭발할 수 있습니다.
- g. **모든 충전 지침을 따르고 배터리 팩 또는 공구를 설명서에 지정된 범위 밖의 온도에서 충전하지 마십시오.** 적절하지 않게 충전하거나 지정된 범위 밖의 온도에서 충전하면 배터리가 손상되어 화재 위험이 증가될 수 있습니다.

## 6. 유지 보수

- a. **자격을 갖춘 기술자가 동일 교체 부품을 사용하여 정비 작업을 수행해야 합니다.** 그래야 전동 공구의 안전이 보장됩니다.
- b. **손상된 배터리 팩을 정비하지 마십시오.** 배터리 팩은 제조업체 또는 공인 서비스 공급업체를 통해서만 점검을 받아야 합니다.

## 추가 전동 공구 안전 경고



**경고!** 경고! 전동 공구에 대한 추가 안전 경고.

- ◆ **절단 부속품이 숨겨진 배선과 접촉할 수 있는 작업을 수행할 때는 절연된 그림 표면으로 전동 공구를 잡으십시오.** "전기가 통하는" 전선과 접촉하는 액세서리는 전동 공구의 노출된 금속 부분을 "통전" 시켜 작업자가 감전될 수 있습니다.
- ◆ **클램프 또는 기타 실용적인 방법을 사용하여 공작물을 안정된 플랫폼에 고정하고 지지하십시오.** 공작물을 손이나 몸에 대는 것은 불안정하고 통제력을 상실할 수 있습니다.



**경고!** 샌딩 작업에서 발생하는 먼지와 접촉하거나 이를 흡입하는 경우 작업자와 주변 사람의 건강이 위험해질 수 있습니다. 먼지와 연기로부터 보호하기 위해 특별히 고안된 방진 마스크를 착용하고 작업 영역에 들어가거나 작업 영역에 들어오는 사람도 보호되도록 하십시오.

- ◆ **샌딩 후 모든 먼지를 완전히 제거하십시오.**
- ◆ **납 성분일 가능성이 있는 페인트를 샌딩하거나 독성 분진을 생성할 수 있는 일부 목재 및 금속을 샌딩 시 특히 주의하십시오:**
  - ◆ 어린이나 임신부가 작업장에 들어가지 않도록 하십시오.
  - ◆ 작업장에서 먹거나, 마시거나, 담배를 피우지 마십시오.
  - ◆ 먼지 입자 및 기타 파편을 안전하게 폐기하십시오.
  - ◆ 사용 목적은 이 사용 설명서에 설명되어 있습니다.
- 본 사용 설명서에서 권장하지 않는 액세서리나 부속품을 사용하거나 본 공구로 권장하지 않은 작업을 수행하면 부상 및/또는 재산 피해의 위험이 있을 수 있습니다.
- ◆ **스위치에서 손을 떼면 액세서리가 계속 움직입니다.** 항상 공구를 끄고 공구를 내려놓기 전에 부속품이 완전히 멈출 때까지 기다리십시오.
- ◆ **작업 부위에서 손을 멀리 두십시오.** 어떠한 이유로도 자체 아래에 손을 대지 마십시오. 왕복날과 날 클램프 부근에 손가락이나 엄지를 넣지 마십시오. 슈를 잡아 톨을 고정하지 마십시오.
- ◆ **날을 날카롭게 유지하십시오.** 둔하거나 손상된 날은 톨이 압력을 받을 시 휘거나 멈출 수 있습니다. 항상 자체 재질과 작업 유형에 적합한 타입의 톨날을 사용하십시오.
- ◆ **파이프나 도관을 작업할 때 물, 전기 배선 등이 없는지 확인하십시오.**
- ◆ **공구 작동 직후에는 자체나 날을 만지지 마십시오.** 그들은 매우 뜨거울 수 있습니다.
- ◆ **벽, 바닥 또는 천장을 작업하기 전에 숨겨진 위험을 인식하고 배선 및 파이프의 위치를 확인하십시오.**

## 타인의 안전

- ◆ 이 기기는 안전을 책임지는 사람이 기기 사용에 대해 감독하거나 지시하지 않는 한 신체적, 감각적 또는 정신적 능력이 약하거나 경험과 지식이 부족한 사람 (어린이 포함) 이 사용하도록 설계되지 않았습니다.
- ◆ 어린이가 기기를 가지고 놀지 않도록 감독해야 합니다.

## 잔여 위험

기기를 사용할 때 동봉된 안전 경고에 포함되어 있지 않은 기타 발생 가능한 위험들이 발생할 수 있습니다. 이러한 위험은 오용, 장시간 사용 등으로 인해 발생할 수 있습니다.

관련된 안전 규정을 준수하고 안전장치를 사용한다고 해도 어떤 위험들은 피하지 못할 수도 있습니다. 이러한 위험으로는 다음과 같은 것들이 있습니다.

- ◆ 부품, 블레이드 또는 액세서리를 교체 시 발생하는 부상.
- ◆ 공구의 장기간 사용으로 인한 부상. 장기간 공구를 사용할 때는 정기적으로 휴식을 취하십시오.
- ◆ 충격 손상.
- ◆ 공구 사용 시 발생하는 먼지 흡입으로 인한 건강 위험 (예: 목재, 특히 참나무, 너도밤나무 및 MDF 작업).

## 공구의 레이블

공구에는 날짜 코드와 함께 다음 그림이 표시됩니다:



**경고!** 부상의 위험을 줄이기 위해 사용자는 사용 설명서를 읽어야 합니다.



작동 램프를 응시하지 마십시오.

## 배터리 및 충전기에 대한 추가 안전 지침

### 배터리

- ◆ 어떤 이유로든 열지 마십시오.
- ◆ 배터리를 물에 노출시키지 마십시오.
- ◆ 온도가 40 °C를 초과할 수 있는 장소에 보관하지 마십시오.
- ◆ 주변 온도가 10 °C ~ 40 °C 인 경우에만 충전하십시오.
- ◆ 공구와 함께 제공된 충전기 만 사용하여 충전하십시오.
- ◆ 배터리를 폐기할 때는 "환경 보호"색션의 지침을 따르십시오.



손상된 배터리를 충전하지 마십시오.

### 충전기

- ◆ BLACK+DECKER 충전기는 제공된 도구로 배터리를 충전하는 데만 사용하십시오. 다른 배터리는 파열되어 부상을 입거나 손상될 수 있습니다.
- ◆ 비 충전식 배터리를 충전하지 마십시오.
- ◆ 손상된 코드는 즉시 교체하십시오.
- ◆ 충전기를 물에 노출시키지 마십시오.
- ◆ 충전기를 열지 마십시오.
- ◆ 충전기를 개조하지 마십시오.



충전기는 실내 전용입니다.



사용하기 전에 사용 설명서를 읽으십시오.

## 전기 안전



충전기는 이중 절연되어 있으므로 접지선이 필요하지 않습니다. 주전원 전압이 명판의 전압과 일치하는지 항상 확인하십시오. 충전기를 일반 전원 플러그로 교체하지 마십시오.

- ◆ 전원 코드가 손상된 경우 위험을 방지하기 위해 제조업체 또는 공인 BLACK+DECKER 서비스 센터에서 교체해야 합니다.

## 기능

본 공구에는 다음 기능 중 일부 또는 전부가 포함되어 있습니다.

1. On/Off 스위치
2. 가변 스피드 다이얼
3. Super-lok™ 공구가 필요없는 액세서리 클램핑 레버
4. 배터리
5. LED 작업등


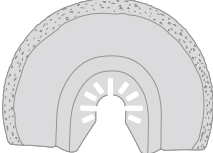
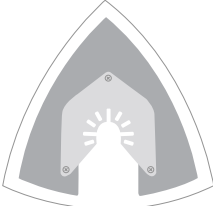
## 액세서리

이 공구에는 다음 액세서리의 일부 또는 전부가 포함됩니다.

공구의 성능은 사용된 액세서리에 따라 다릅니다. BLACK+DECKER 액세서리는 고품질 표준에 따라 설계되었으며 공구 성능을 향상 시키도록 설계되었습니다.

이러한 액세서리를 사용하면 공구에서 최상의 결과를 얻을 수 있습니다.

	<p><b>목재, 부드러운 플라스틱 용 정밀 풀러지 절단 톱날.</b></p> <p>목재 및 연질 플라스틱의 분리, 풀러지 및 플러시 절단. 문, 스커트 보드, 창턱 및 바닥 작업에 이상적입니다.</p>
	<p><b>목재 및 금속 용 풀러지 절단 톱날.</b></p> <p>목재, 플라스틱, 얇은 벽의 비철 파이프 및 돌출부, 및 및 나사의 분리, 풀러지 및 플러시 절단.</p>
	<p><b>목재 및 금속 용 풀러지 절단 톱날.</b></p> <p>목재, 플라스틱, 얇은 벽의 비철 파이프 및 돌출부의 분리, 풀러지 및 플러시 절단.</p>
	<p><b>분할 된 톱날.</b></p> <p>목재, 플라스틱, 얇은 철 및 비철 재료 절단에 이상적인 긴 수명의 블레이드.</p>
	<p><b>단단한 스크레이퍼.</b></p> <p>비닐 바닥재, 접착 된 카펫 접착제, 타일 바닥 접착제, 그라우트, 페인트 및 바니시 제거와 같이 평평한 표면에서 단단하고 부드러운 재료를 제거하는 데 이상적입니다.</p>

	<p><b>유연한 스크레이퍼.</b> 실리콘 실란트 및 기타 코팅 재료와 같이 도달하기 어려운 작업 구역의 단단한 평평한 표면에서 엘라스토머 재료를 제거하는 데 이상적입니다.</p>
	<p><b>카바이드 그라우트 제거 블레이드.</b> 카바이드 코팅 표면은 평평한 표면에서 그라우트 및 타일 접착제를 제거하고 목재, 마분지 및 유리 섬유와 빠른 스톱 제거에 이상적입니다.</p>
	<p><b>초경 스크레이퍼.</b> 그라우트 제거 및 플라스틱, 마분지 및 유리 섬유의 빠른 스톱 코팅 표면 제거에 이상적입니다.</p>
	<p><b>샌딩 시트.</b> 목재, 도장 및 광택 처리 된 표면의 샌딩을 위한 다양한 등급.</p>

## 배터리 충전 (그림 A)

배터리는 처음 사용하기 전과 이전에 쉽게 수행했던 작업에서 충분한 전력을 공급하지 못할 때마다 충전해야 합니다. 충전하는 동안 배터리가 따뜻해질 수 있습니다. 이것은 정상적인 현상이며 문제를 나타내는 것이 아닙니다.



**경고!** 주변 온도가 10 °C 이하 또는 40 °C 이상인 곳에서는 배터리를 충전하지 마십시오. 권장 충전 온도는: 약. 24 °C.

**참고:** 배터리 온도가 약 10 °C 이하이거나 40 °C 이상이면 충전기가 배터리를 충전하지 않습니다. 배터리는 충전기에 그대로 두어야 하며 셀 온도가 예열되거나 냉각되면 충전기가 자동으로 충전되기 시작합니다.

- ◆ 배터리 (4) 를 충전하려면 충전기 (6) 에 배터리를 삽입하십시오. 배터리는 충전기의 한 방향으로만 맞습니다. 무리하게 작업하지 마십시오. 배터리가 충전기에 완전히 장착되었는지 확인하십시오.
- ◆ 충전기를 연결하고 전원을 켭니다.
- ◆ 충전 표시등 (6a) 이 깜박입니다.

충전 표시등 (6a) 이 계속 켜져 있으면 충전이 완료된 것입니다. 충전기와 배터리는 무기한 연결된 상태로 둘 수 있습니다. 때때로 충전기가 배터리 충전량을 완충하면 충전기 LED 가 켜집니다.

- ◆ 방전된 배터리는 1 주일 이내에 충전하십시오. 방전된 상태로 보관하면 배터리 수명이 크게 줄어듭니다.

## 충전기에 배터리 보관

충전기와 배터리 팩은 LED 표시등이 점등된 상태로 연결되어 있을 수 있습니다. 충전기는 배터리 팩을 완전히 충전된 상태로 유지합니다.

## 충전기 진단

충전기가 약한 배터리나 손상된 배터리를 감지하면 충전 표시등 (6a) 이 빠른 속도로 빨간색으로 깜박입니다. 이럴 경우 다음과 같이 진행하십시오:

- ◆ 배터리 (4) 를 다시 삽입합니다.
- ◆ 충전 표시등이 계속 빠른 속도로 빨간색으로 깜박이면 다른 배터리를 사용하여 충전 프로세스가 제대로 작동하는지 확인하십시오.
- ◆ 교체한 배터리가 올바르게 충전되면 원래 배터리에 결함이 있는 것으로 서비스 센터에 접수하여서 점검을 받아야 합니다.
- ◆ 새 배터리가 원래 배터리와 동일한 징후를 나타내면 공인 서비스 센터로 충전기를 접수하여서 점검을 받으십시오.

**참고:** 배터리에 결함이 있는지 확인하는 데 30 분 정도 걸릴 수 있습니다. 배터리가 너무 뜨겁거나 너무 차가우면 LED 가 빨간색으로 빠르고 느리게 한 번씩 깜박이고 각 속도에서 이를 반복합니다.

## 배터리 장착 및 제거 (그림 B)

- ◆ 배터리 (4) 를 장착하려면 공구의 콘센트에 맞춰 정렬하십시오. 배터리를 콘센트에 밀어 넣고 배터리가 제자리에 고정될 때까지 밀니다.
- ◆ 배터리를 제거하려면 배터리 해제 버튼 (4a) 을 누르는 동시에 그림 E와 같이 콘센트에서 배터리를 빼내십시오.

## 액세서리 장착 및 제거 (그림 C - F)

**경고!** 액세서를 장착하기 전에 주 전원에서 공구를 분리하거나 공구에서 배터리를 제거하십시오.

### BLACK+DECKER 액세서리 장착 (그림 C - F)

- ◆ 공구를 잡고 액세서리 클램핑 레버 (3) 를 누릅니다.
- ◆ 액세서리 (7) 를 샤프트와 액세서리 홀더 사이로 밀어 액세서리가 홀더의 8 개 핀 모두에 맞물리고 샤프트와 같은 높이인지 확인합니다.
- ◆ 액세서리 클램핑 레버를 놓습니다.

**참고:** 필요한 경우 스크레이퍼 및 블레이드와 같은 일부 액세서리를 비스듬히 장착할 수 있습니다 (그림 E).

### BLACK+DECKER 액세서리 제거 (그림 C)

- ◆ 공구를 잡고 액세서리 클램핑 레버 (3) 를 누릅니다.
- ◆ 홀더의 8 개 핀 모두에서 액세서리가 분리되도록 공구에서 액세서리를 잡아당깁니다.
- ◆ 액세서리 클램핑 레버를 놓습니다.



**경고!** 사용 중 뜨거워질 수 있으므로 액세서리를 제거할 때는 장갑을 착용해야 합니다.

## 샌딩 시트 장착 (그림 F)

- ◆ 그림과 같이 샌딩 시트 (8) 와 샌딩 베이스 (7) 를 정렬합니다.
- ◆ 시트의 구멍이 베이스의 구멍과 일치하도록 하여 시트를 샌딩 베이스에 단단하고 균일하게 누르십시오.

## 샌딩 시트 제거

- ◆ 샌딩 베이스 (7) 에서 샌딩 시트를 잡아당깁니다.



**경고!** 샌딩 시트나 액세서리가 제자리에 있지 않은 상태에서 샌딩 베이스를 사용하지 마십시오.

## 가변 속도 제어 (그림 G)

가변 속도 제어를 통해 공구의 속도를 기기에 맞출 수 있습니다.

- ◆ 가변 속도 다이얼 (2) 을 원하는 설정으로 설정합니다. 설정 1에서 공구는 8,000 min<sup>-1</sup> 의 저속으로 작동합니다. 설정 6에서 공구는 최대 속도 인 18,000 min<sup>-1</sup> 로 작동합니다.

## 켜기 및 끄기 (그림 H)

- ◆ 공구를 켜려면 켜기 / 끄기 스위치 (1) 를 앞으로 (위치 1).
- ◆ 공구를 끄려면 켜기 / 끄기 스위치 (1) 를 뒤쪽 (위치 0).

## LED 작업등

공구를 켜면 LED 작업등 (5) 이 자동으로 활성화됩니다.

## 배터리 전량 부족 표시기

공구의 스위치를 눌렀을 때 LED 작업등 (5) 이 빠르고 지속적으로 깜박이기 시작하면 배터리 팩 전원이 소진된 것이므로 배터리 팩을 재충전해야 합니다.

다른 배터리 팩 유형과 달리 리튬 이온 배터리 팩은 전체 사용 시간 동안 색이 바래지 않는 전력을 제공합니다. 작업하는 동안 도구는 느리고 점진적인 전원 손실을 경험하지 않습니다.

배터리 팩이 작동 시간이 다 되어 충전이 필요하다는 신호를 보내면 공구의 전원이 빠르게 떨어집니다.

**참고:** 과부하 또는 고온으로 인해 LED 가 깜박일 수도 있습니다 (배터리 보호 참조).

## 최적의 사용을 위한 힌트

- ◆ 항상 공구를 단단히 잡으십시오. 정밀한 작업을 위해 공구를 양쪽으로 잡으십시오.
- ◆ 특히 절단 날을 사용할 때 가능하면 공작물을 고정하십시오.
- ◆ 공구에 너무 많은 압력을 가하지 마십시오.
- ◆ 항상 공작물 재료 및 절단 유형에 적합한 유형의 부착물을 사용하십시오.
- ◆ 액세서리의 상태를 정기적으로 확인하십시오. 필요한 경우 교체하십시오.
- ◆ 원하는 시작점을 표시하십시오.
- ◆ 공구를 켜고 원하는 시작 지점에서 공작물에 부착물을 천천히 공급합니다.
- ◆ 합판 또는 부드러운 나무조각을 공작물 뒷면에 고정하고 조합을 통해 톱질하여 명확한 절단 작업을 얻습니다.
- ◆ 절단 날을 공작물에 강제로 넣지 마십시오. 판금 절단은 일반적으로 두꺼운 목재 공작물을 절단하는 것보다 더 많은 시간이 걸립니다.

- ◆ 금속을 절단할 때 절단하기 전에 절단 선을 따라 얇은 기름 막을 펴십시오.
- ◆ 다른 레이어를 적용하기 전에 새 페인트 레이어를 샌딩할 때는 여분의 미세한 그릿을 사용하십시오.
- ◆ 매우 고르지 않은 표면이나 페인트 층을 제거할 때는 거친 입자로 작업을 시작하십시오. 다른 표면에서는 중간 입자로 작업을 시작하십시오. 두 경우 모두 매끄러운 마무리를 위해 점차 미세한 입자로 변경하십시오.
- ◆ 사용 가능한 액세서리에 대한 자세한 내용은 판매점에 문의하십시오.

## 유지 보수

BLACK+DECKER 유선 / 무선 기기 / 공구는 최소한의 유지 보수로 장기간 작동하도록 설계되었습니다. 만족스러운 연속 작동은 적절한 공구 관리와 정기적인 청소에 따라 그 성능이 달라질 수 있습니다.

**경고!** 유선 / 무선 전동 공구에 대한 유지 관리를 수행하기 전에:

- ◆ 스위치를 끄고 기기 / 공구의 플러그를 뽑습니다.
- ◆ 또는 기기 / 공구에 별도의 배터리 팩이 있는 경우 전원을 끄고 기기 / 공구에서 배터리를 제거하십시오.
- ◆ 또는 배터리가 통합된 경우 완전히 방전된 다음 전원을 끕니다.
- ◆ 부드러운 솔이나 마른 천을 사용하여 기기 / 도구 / 충전기의 통풍구를 정기적으로 청소하십시오.
- ◆ 젖은 천으로 모터 하우징을 정기적으로 청소하십시오. 연마제 또는 솔벤트 기반 클리너를 사용하지 마십시오.

## 환경 보호



분리 수거. 이 기호가 표시된 제품과 배터리를 일반 가정용 쓰레기와 함께 처리하면 안됩니다.

제품과 배터리에는 재활용되거나 재사용되고 고철 자원에 대한 수요를 줄일 수 있는 자재가 포함되어 있습니다. 전기 제품과 배터리는 지역 규정에 따라 재활용하십시오. 자세한 정보는 [www.2helpU.com](http://www.2helpU.com) 에서 확인할 수 있습니다.

## 기술 데이터

BDCOS18		
전압	$V_{dc}$	18V (20V Max)
무부하 속도	$min^{-1}$	8000 - 18000
진동 각도	정도	2.8
무게	kg	1.4

906349**		
입력 전압	$V_{ac}$	220 - 240
출력 전압	$V_{dc}$	18V
전류	A	1

배터리	BL1518		BL2018	BL4018
	전압	$V_{dc}$	18 (20V Max)	18 (20V Max)
용량	Ah	1.5	2.0	4.0
유형		리튬 이온	리튬 이온	리튬 이온

## 서비스 정보

BLACK+DECKER는 아시아 전역에 걸쳐 회사 소유 및 승인된 서비스 위치의 전체 네트워크를 제공합니다. 모든 BLACK+DECKER 서비스 센터에는 숙련된 직원이 배치되어 고객에게 효율적이고 안정적인 제품 서비스를 제공합니다.

기술적인 조언, 수리 또는 정품 공장 교체 부품이 필요한 경우 가장 가까운 BLACK+DECKER 지점에 문의하십시오.

## 메모

- ◆ BLACK+DECKER의 정책은 당사 제품의 지속적인 개선 중 하나이며, 따라서 당사는 사전 통지 없이 제품 사양을 변경할 수 있는 권리를 보유합니다.
- ◆ 표준 장비 및 액세서리는 국가마다 다를 수 있습니다.
- ◆ 제품 사양은 국가별로 다를 수 있습니다.
- ◆ 국가에 따라 판매하지 않는 제품도 있을 수 있습니다. 제품 판매 여부는 해당 지역에 있는 BLACK + DECKER 판매점으로 문의하십시오.