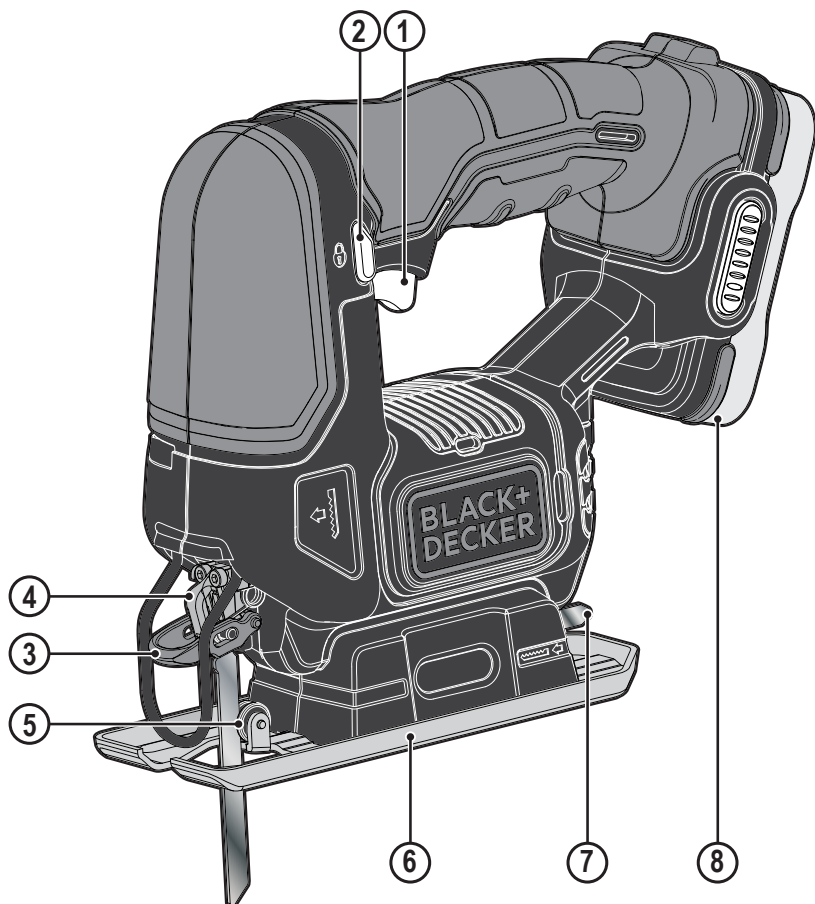
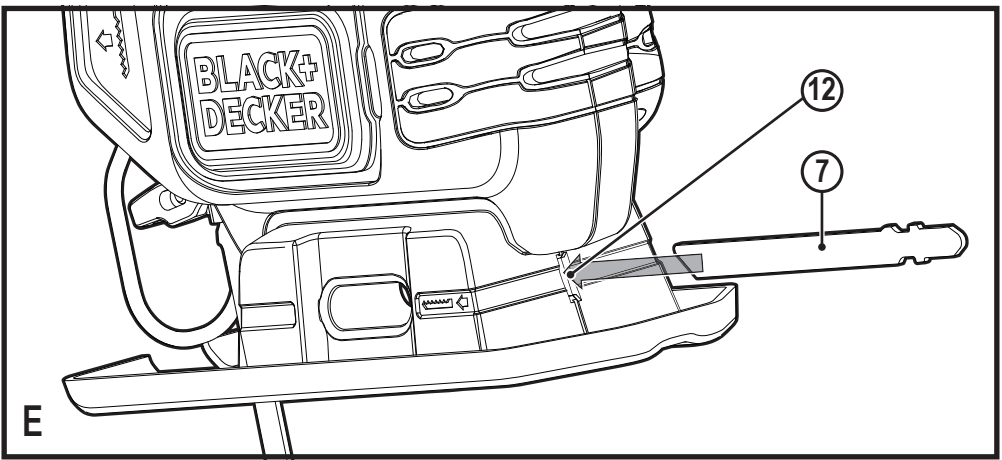
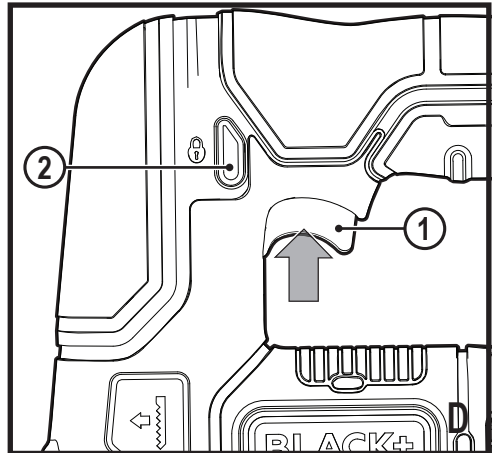
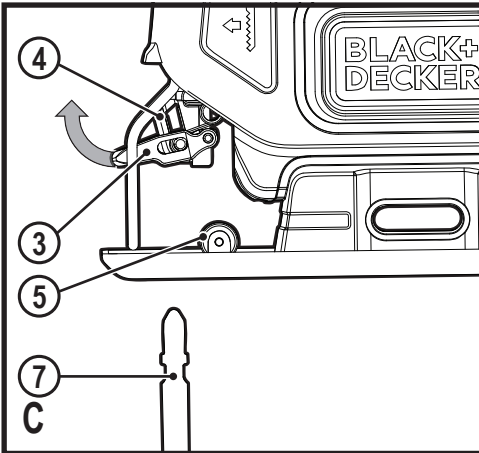
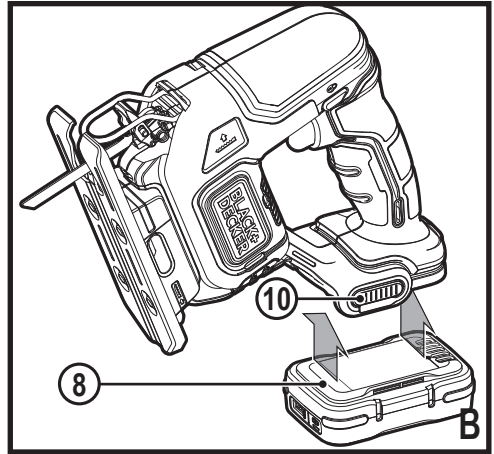
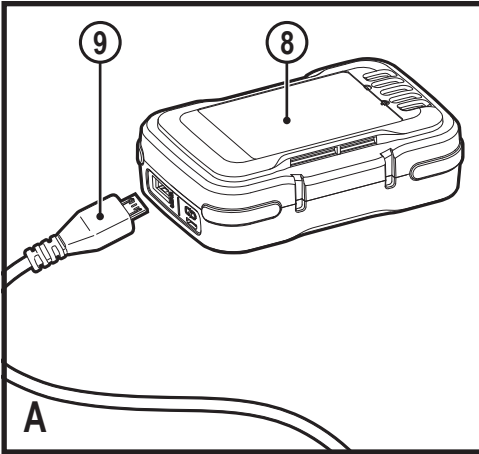


BLACK+ DECKER™



BDCJS12U

English	3
简体中文	8
한국어	12
Bahasa Indonesia	17
ภาษาไทย	23



Intended use

Your BLACK+DECKER BDCJS12U jigsaw has been designed for sawing wood, plastics and sheet metal. This tool is intended for consumer use only.

Safety instructions

General power tool safety warnings



Warning! Read all safety warnings and all instructions. Failure to follow the warnings and instructions listed below may result in electric shock, fire and/or serious injury.

Save all warnings and instructions for future reference.

The term "power tool" in all of the warnings listed below refers to your mains operated (corded) power tool or battery operated (cordless) power tool.

1. **Work area safety**
 - a. **Keep work area clean and well lit.** Cluttered or dark areas invite accidents.
 - b. **Do not operate power tools in explosive atmospheres, such as in the presence of flammable liquids, gases or dust.** Power tools create sparks which may ignite the dust or fumes.
 - c. **Keep children and bystanders away while operating a power tool.** Distractions can cause you to lose control.
2. **Electrical safety**
 - a. **Power tool plugs must match the outlet. Never modify the plug in any way. Do not use any adapter plugs with earthed (grounded) power tools.** Unmodified plugs and matching outlets will reduce risk of electric shock.
 - b. **Avoid body contact with earthed or grounded surfaces such as pipes, radiators, ranges and refrigerators.** There is an increased risk of electric shock if your body is earthed or grounded.
 - c. **Do not expose power tools to rain or wet conditions.** Water entering a power tool will increase the risk of electric shock.
 - d. **Do not abuse the cord. Never use the cord for carrying, pulling or unplugging the power tool. Keep cord away from heat, oil, sharp edges or moving parts.** Damaged or entangled cords increase the risk of electric shock.
 - e. **When operating a power tool outdoors, use an extension cord suitable for outdoor use.** Use of a cord suitable for outdoor use reduces the risk of electric shock.
 - f. **If operating a power tool in a damp location is unavoidable, use a residual current device (RCD) protected supply.** Use of an RCD reduces the risk of electric shock.
3. **Personal safety**
 - a. **Stay alert, watch what you are doing and use common sense when operating a power tool. Do not use a power tool while you are tired or under the influence of drugs, alcohol or medication.** A moment of inattention while operating power tools may result in serious personal injury.
 - b. **Use personal protective equipment. Always wear eye protection.** Protective equipment such as dust mask, non-skid safety shoes, hard hat, or hearing protection used for appropriate conditions will reduce personal injuries.
 - c. **Prevent unintentional starting. Ensure the switch is in the off-position before connecting to power source and/or battery pack, picking up or carrying the tool.** Carrying power tools with your finger on the switch or energising power tools that have the switch on invites accidents.
 - d. **Remove any adjusting key or wrench before turning the power tool on.** A wrench or a key left attached to a rotating part of the power tool may result in personal injury.
 - e. **Do not overreach. Keep proper footing and balance at all times.** This enables better control of the power tool in unexpected situations.
 - f. **Dress properly. Do not wear loose clothing or jewellery. Keep your hair, clothing and gloves away from moving parts.** Loose clothes, jewellery or long hair can be caught in moving parts.
 - g. **If devices are provided for the connection of dust extraction and collection facilities, ensure these are connected and properly used.** Use of dust collection can reduce dust-related hazards.
 - h. **Do not let familiarity gained from frequent use of tools allow you to become complacent and ignore tool safety principles.** A careless action can cause severe injury within a fraction of a second.
4. **Power tool use and care**
 - a. **Do not force the power tool. Use the correct power tool for your application.** The correct power tool will do the job better and safer at the rate for which it was designed.
 - b. **Do not use the power tool if the switch does not turn it on and off.** Any power tool that cannot be controlled with the switch is dangerous and must be repaired.
 - c. **Disconnect the plug from the power source and/or the battery pack from the power tool before making any adjustments, changing accessories, or storing power tools.** Such preventive safety measures reduce the risk of starting the power tool accidentally.
 - d. **Store idle power tools out of the reach of children and do not allow persons unfamiliar with the power tool or these instructions to operate the power tool.**

Power tools are dangerous in the hands of untrained users.

- e. **Maintain power tools. Check for misalignment or binding of moving parts, breakage of parts and any other condition that may affect the power tools operation. If damaged, have the power tool repaired before use.** Many accidents are caused by poorly maintained power tools.
 - f. **Keep cutting tools sharp and clean.** Properly maintained cutting tools with sharp cutting edges are less likely to bind and are easier to control.
 - g. **Use the power tool, accessories and tool bits etc. in accordance with these instructions, taking into account the working conditions and the work to be performed.** Use of the power tool for operations different from those intended could result in a hazardous situation.
 - h. **Keep handles and grasping surfaces dry, clean and free from oil and grease.** Slippery handles and grasping surfaces do not allow for safe handling and control of the tool in unexpected situations.
5. **Battery tool use and care**
 - a. **Recharge only with the charger specified by the manufacturer.** A charger that is suitable for one type of battery pack may create a risk of fire when used with another battery pack.
 - b. **Use power tools only with specifically designated battery packs.** Use of any other battery packs may create a risk of injury and fire.
 - c. **When battery pack is not in use, keep it away from other metal objects, like paper clips, coins, keys, nails, screws, or other small metal objects, that can make a connection from one terminal to another.** Shorting the battery terminals together may cause burns or a fire.
 - d. **Under abusive conditions, liquid may be ejected from the battery; avoid contact. If contact accidentally occurs, flush with water. If liquid contacts eyes, additionally seek medical help.** Liquid ejected from the battery may cause irritation or burns.
 - e. **Do not use a battery pack or tool that is damaged or modified.** Damaged or modified batteries may exhibit unpredictable behaviour resulting in fire, explosion or risk of injury.
 - f. **Do not expose a battery pack or tool to fire or excessive temperature.** Exposure to fire or temperature above 265° F may cause explosion.
 - g. **Follow all charging instructions and do not charge the battery pack or tool outside the temperature range specified in the instructions.** Charging improperly or at temperatures outside the specified range may damage the battery and increase the risk of fire.

6. Service

- a. **Have your power tool serviced by a qualified repair person using only identical replacement parts.** This will ensure that the safety of the power tool is maintained.
- b. **Never service damaged battery packs.** Service of battery packs should only be performed by the manufacturer or authorised service providers.

Additional power tool safety warnings



Warning! Additional safety warnings jigsaws

- ◆ **Hold power tool by insulated gripping surfaces, when performing an operation where the cutting accessory may contact hidden wiring.** Cutting accessory contacting a "live" wire may make exposed metal parts of the power tool "live" and could give the operator an electric shock.
- ◆ **Use clamps or another practical way to secure and support the workpiece to a stable platform.** Holding the work by hand or against your body leaves it unstable and may lead to loss of control.
- ◆ This tool is not intended for use by persons (including children) with reduced physical, sensory or mental capabilities, or lack of experience and knowledge, unless they have been given supervision or instruction concerning use of the appliance by a person responsible for their safety. Children should be supervised to ensure that they do not play with the appliance.
- ◆ The intended use is described in this instruction manual. The use of any accessory or attachment or performance of any operation with this tool other than those recommended in this instruction manual may present a risk of personal injury and/or damage to property.
- ◆ **Keep hands away from cutting area.** Never reach underneath the work piece any reason. Do not insert fingers or thumb into the vicinity of the reciprocating blade and blade clamp. Do not stabilize the saw by gripping the shoe.
- ◆ **Keep blades sharp.** Dull or damaged blades may cause the saw to swerve or stall under pressure. Always use the appropriate type of saw blade for the workpiece material and type of cut.
- ◆ **When cutting pipe or conduit, make sure that they are free from water, electrical wiring, etc.**
- ◆ **Do not touch the workpiece or the blade immediately after operating the tool.** They can become very hot.
- ◆ **Be aware of hidden hazards, before cutting into walls, floors or ceilings, check for the location of wiring and pipes.**
- ◆ **The blade will continue to move after releasing the switch.** Always switch the tool off and wait for the saw blade to come to a complete standstill before putting the tool down.

Warning! Contact with, or inhalation of dusts arising from cutting applications may endanger the health of the operator and possible bystanders. Wear a dust mask specifically designed for protection against dust and fumes and ensure that persons within or entering the work area are also protected.

- ◆ The intended use is described in this instruction manual.
- ◆ The use of any accessory or attachment or performance of any operation with this tool other than those recommended in this instruction manual may present a risk of personal injury and/or damage to property.

Safety of others

- ◆ Never allow children, persons with reduced physical, sensory or mental capabilities or lack of experience and knowledge or people unfamiliar with these instructions to use the machine, local regulations may restrict the age of the operator.
- ◆ Never operate the machine while people, especially children, or pets are nearby.

Residual risks

Additional residual risks may arise when using the tool which may not be included in the enclosed safety warnings. These risks can arise from misuse, prolonged use etc. Even with the application of the relevant safety regulations and the implementation of safety devices, certain residual risks can not be avoided. These include:

- ◆ Injuries caused by touching any rotating/moving parts.
- ◆ Injuries caused when changing any parts, blades or accessories.
- ◆ Injuries caused by prolonged use of a tool. When using any tool for prolonged periods ensure you take regular breaks.
- ◆ Impairment of hearing.
- ◆ Health hazards caused by breathing dust developed when using your tool (example:- working with wood, especially oak, beech and MDF.)

Labels on tool

The following symbols, along with the date code, are shown on the tool:



Warning! To reduce the risk of injury, the user must read the instruction manual.

Additional safety instructions for batteries

Batteries

- ◆ Never attempt to open for any reason.
- ◆ Do not expose the battery to water.
- ◆ Do not store in locations where the temperature may exceed 40 °C.

- ◆ Charge only at ambient temperatures between 10 °C and 40 °C.
- ◆ Charge only using the charger provided with the tool.
- ◆ When disposing of batteries, follow the instructions given in the section "Protecting the environment".



Do not attempt to charge damaged batteries.



The tool is intended for indoor use only.

- ◆ If the supply cord is damaged, it must be replaced by the manufacturer or an authorised BLACK+DECKER Service Centre in order to avoid a hazard.

Features

This tool includes some or all of the following features.

1. Variable speed trigger switch
2. Lock-off button
3. Saw blade locking lever
4. Blade clamp
5. Blade support roller
6. Shoe plate
7. Saw blade
8. Battery

Assembly

Warning! Before assembly, remove the battery from the tool and make sure that the saw blade has stopped. Used saw blades may be hot.

Charging the battery (fig. A)

The battery needs to be charged before first use and whenever it fails to produce sufficient power on jobs that were easily done before. The battery may become warm while charging; this is normal and does not indicate a problem.

Warning! Do not charge the battery at ambient temperatures below 10 °C or above 40 °C. Recommended charging temperature: approx. 24 °C.

Note: The charger will not charge a battery if the cell temperature is below approximately 10 °C or above 40 °C. The battery should be left in the charger and the charger will begin to charge automatically when the cell temperature warms up or cools down.

- ◆ To charge the battery (8), insert the USB charger (9) (Not supplied).
- ◆ Connect the USB charger to a power source. The charging indicator will blink. The charge is complete when the charging indicator switches to continuously on.

- ◆ The charger and the battery can be left connected indefinitely.
- ◆ Charge discharged batteries within 1 week. Battery life will be greatly diminished if stored in a discharged state.

Fitting and removing the battery (fig. B)

- ◆ To fit the battery (8), line it up with the receptacle on the tool. Slide the battery into the receptacle and push up until the battery snaps into place.
- ◆ To remove the battery, push the release button (10) while at the same time pulling the battery out of the receptacle.

Fitting and removing the saw blade (fig. C)

- ◆ Hold the saw blade (7) with the teeth facing forward.
- ◆ Lift the saw blade locking lever (3) upwards.
- ◆ Insert the shank of the blade fully into the blade clamp (4) as far as it will go.
- ◆ Release the lever.
- ◆ To remove the saw blade (7), lift the saw blade locking lever (3) upwards and pull the blade out.

Switching on and off (fig. D)

- ◆ To switch on, slide the lock off switch (2) to the left then pull and hold the variable on/off trigger switch (1).
- ◆ To switch off, release the trigger switch (1).

Warning! Do not switch the tool on or off while under load.

Warning! Always slide the lock off switch (2) to the right, the locked position when the tool is not in use.

Storage of spare blades (fig. E)

- ◆ Spare blades (7) can be stored in the recess (12) on the main body of the tool.

Sawing

- ◆ Always hold the tool with both hands.
- ◆ Let the blade run freely for a few seconds before starting the cut.
- ◆ Apply only a gentle pressure to the tool while performing the cut.
- ◆ If possible, work with the shoe plate (6) pressed against the workpiece. This will improve tool control and reduce tool vibration, as well as prevent the blade from being damaged.

Sawing laminates

As the saw blade cuts on the upward stroke, splintering may occur on the surface closest to the shoe plate.

- ◆ Use a fine-tooth saw blade.
- ◆ Saw from the back surface of the workpiece.
- ◆ To minimise splintering, clamp a piece of scrap wood or hardboard to both sides of the workpiece and saw through this sandwich.

Sawing metal

Be aware that sawing metal takes much more time than sawing wood.

- ◆ Use a saw blade suitable for sawing metal. Use a finetooth saw blade for ferrous metals and a coarser saw blade for non-ferrous metals.
- ◆ When cutting thin sheet metal, clamp a piece of scrap wood to the back surface of the workpiece and cut through this sandwich.
- ◆ Spread a film of oil along the intended line of cut.

Accessories

The performance of your tool depends on the accessory used. BLACK+DECKER accessories are engineered to high quality standards and designed to enhance the performance of your tool. By using these accessories you will get the very best from your tool.

This tool is suitable both for U-shank and T-shank saw blades

Technical data

BDCJS12U		
Voltage	V _{DC}	12
No-load speed	Min ⁻¹	0 - 2800 SPM
Stroke Length	mm	16
Max depth of cut:		
Wood	mm	52
Steel	mm	5
Aluminium	mm	17
Weight	kg	1.19 (with battery 1.44)

BDCB12U		
Battery		
Voltage	V _{DC}	12
No-load speed	Ah	1.5
Stroke Length		Li-Ion

Maintenance

Your BLACK+DECKER tool has been designed to operate over a long period of time with a minimum of maintenance. Continuous satisfactory operation depends upon proper tool care and regular cleaning. Your charger does not require any maintenance apart from regular cleaning. Your charger does not require any maintenance apart from regular cleaning

Warning! Before performing any maintenance on the tool, remove the battery from the tool. Unplug the charger before cleaning it.

- ◆ Regularly clean the ventilation slots in your tool and charger using a soft brush or dry cloth.
- ◆ Regularly clean the motor housing using a damp cloth. Do not use any abrasive or solvent-based cleaner.
- ◆ Regularly open the chuck and tap it to remove any dust from the interior.

Protecting the environment



Separate collection. This product must not be disposed of with normal household waste.

needs replacement, or if it is of no further use to you, do not dispose of it with household waste. Make this product available for separate collection.



Separate collection of used products and packaging allows materials to be recycled and used again.

Re-use of recycled materials helps prevent environmental pollution and reduces the demand for raw materials.

Service Information

BLACK+DECKER offers a full network of company-owned and authorized service locations throughout Asia. All BLACK+DECKER Service Centers are staffed with trained personnel to provide customers with efficient and reliable product service. Whether you need technical advice, repair, or genuine factory replacement parts, contact the BLACK+DECKER location near-est to you.

NOTE

- ◆ BLACK+DECKER's policy is one of continuous improvement to our products and, as such, we reserve the right to change product specifications without prior notice.
- ◆ Standard equipment and accessories may vary by country.
- ◆ Product specifications may differ by country.
- ◆ Complete product range may not be available in all countries.

Contact your local BLACK+DECKER dealers for range availability.

Batteries



There are no user-serviceable parts inside.

- ◆ At the end of your products life return the whole unit to your service agent or to a local recycling station to have the battery recycled. Do not throw the unit out with household waste.

设计用途

您的 BLACK + DECKER BDCJS12U 线锯机设计用于锯切木材、塑料和金属板。
本工具仅供专业人士使用。

电动工具通用安全警告



警告！ 阅读随电动工具提供的所有安全警告、说明、图示和规定。不遵照以下所列说明会导致电击、着火和 / 或严重伤害。

保存所有警告和说明书以备查阅。

警告中的术语“电动工具”指市电驱动（有线）电动工具或电池驱动（无线）电动工具。

a) 工作场地的安全

- 1) 保持工作场地清洁和明亮。杂乱和黑暗的场地会引发事故。
- 2) 不要在易爆环境，如有易燃液体、气体或粉尘的环境下操作电动工具。电动工具产生的火花会点燃粉尘或气体。
- 3) 操作电动工具时，远离儿童和旁观者。注意力不集中会使操作者失去对工具的控制。

b) 电气安全

- 1) 电动工具插头必须与插座相配。绝不能以任何方式改装插头。需接地的电动工具不能使用任何转换插头。未经改装的插头和相配的插座将降低电击风险。
- 2) 避免人体接触接地表面，如管道、散热片和冰箱。如果你身体接地会增加电击风险。
- 3) 不得将电动工具暴露在雨中或潮湿环境中。水进入电动工具将增加电击风险。
- 4) 不得滥用电线。绝不能用软线搬运、拉动电动工具或拔出其插头。使软线远离热源、油、锐边或运动部件。受损或缠绕的软线会增加电击风险。
- 5) 当在户外使用电动工具时，使用适合户外使用的延长线。适合户外使用的电线将降低电击风险。
- 6) 如果无法避免在潮湿环境下操作电动工具，应使用带有剩余电流装置（RCD）保护的电源。RCD 的使用可降低电击风险。

c) 人身安全

- 1) 保持警觉，当操作电动工具时关注所从事的操作并保持清醒。当你感到疲倦，或在有药物、酒精或治疗反应时，不要操作电动工具。在操作电动工具时瞬间的疏忽会导致严重人身伤害。
- 2) 使用个人防护装置。始终佩戴护目镜。防护装置，诸如适当条件下使用防全面具、防滑安全鞋、安全帽、听力防护等装置能减少人身伤害。
- 3) 防止意外启动。在连接电源和/或电池盒、拿起或搬运工具前确保开关处于关断位置。手指放在开关上搬运工具或开关处于接通时通电会导致危险。

- 4) 在电动工具接通之前，拿掉所有调节钥匙或扳手。遗留在电动工具旋转零件上的扳手或钥匙会导致人身伤害。
- 5) 手不要过分伸展。时刻注意立足点和身体平衡。这样能在意外情况下能更好地控制住电动工具。
- 6) 着装适当。不要穿宽松衣服或佩戴饰品。让你的头发和衣服远离运动部件。宽松衣服、佩饰或长发可能会卷入运动部件。
- 7) 如果提供了与排屑、集尘设备连接用的装置，要确保其连接完好且使用得当。使用集尘装置可降低尘屑引起的危险。
- 8) 不要因为频繁使用工具而产生的熟悉感而掉以轻心，忽视工具的安全准则。某个粗心的动作可能在瞬间导致严重的伤害。

d) 电动工具使用和注意事项

- 1) 不要勉强使用电动工具，根据用途使用合适的电动工具。选用合适的按照额定值设计的电动工具会使你工作更有效、更安全。
- 2) 如果开关不能接通或关断电源，则不能使用该电动工具。不能通过开关来控制的电动工具是危险的且必须进行修理。
- 3) 在进行任何调节、更换附件或贮存电动工具之前，必须从电源上拔掉插头和 / 或卸下电池包（如可拆卸）。这种防护性的安全措施降低了电动工具意外起动的风险。
- 4) 将闲置不用的电动工具贮存在儿童所及范围之外，并且不允许不熟悉电动工具和不了解这些说明的人操作电动工具。电动工具在未经培训的使用者手中是危险的。
- 5) 维护电动工具及其附件。检查运动部件是否调整到位或卡住，检查零件破损情况和影响电动工具运行的其他状况。如有损坏，应在使用前修理好电动工具。许多事故是由维护不良的电动工具引发的。
- 6) 保持切削刀具锋利和清洁。维护良好地有锋利切削刃的刀具不易卡住而且容易控制。
- 7) 按照使用说明书，并考虑作业条件和要进行的作业来选择电动工具、附件和工具的刀头等。将电动工具用于那些与其用途不符的操作可能会导致危险情况。
- 8) 保持手柄和握持表面干燥、清洁，不得沾有油脂。在意外的情况下，湿滑的手柄不能保证握持的安全和对工具的控制。

e) 维修

由专业维修人员使用相同的备件维修电动工具。这将保证所维修的电动工具的安全。

安全说明

电动工具附加安全警告



警告！线锯机附加安全警告

- ◆ 在切削附件可能触及暗线或其自身软线之处进行操作时，要通过绝缘握持面来握持工具。切削附件碰到“带电”导线会使工具外露的金属零件带电，从而使操作者受到电击。
- ◆ 请使用夹具或采取其它可行的方法，把工件可靠地固定在稳定的平台上。手持或用身体顶住工件都是不稳定的，会导致操作失控。
- ◆ 本工具不适合体力、感觉或智力不足，或者缺乏经验及知识的人员（包括小孩）使用，除非负责他们安全的人员已经为他们提供关于使用此器具的监督或指示。应看管好儿童，以确保他们不将此设备当做玩具来玩。
- ◆ 本使用手册描述了工具的设计用途。使用非本使用手册所建议的任何其他附件或配件，或者使用本工具执行非手册建议的任何其他操作，都可能存在人身伤害和/或财产损失的危险。
- ◆ 双手远离锯切区域。无论出于何种原因，都不能把手伸到工件下方。切勿将手指或拇指伸入正在往复切割的锯片和锯片夹周围。切勿通过抓住导板来稳定电锯。
- ◆ 保持锯片锋利。粗钝或损坏的锯片可能会导致电锯在压力下突然转向或停转。务必针对工件材料和切口类型使用合适类型的锯片。
- ◆ 锯切管道或导管时，请确保管道或导管中没有水或电线等障碍物。
- ◆ 使用工具后，不要立即触碰工件或锯片。它们可能会变得很烫。
- ◆ 在墙上、地板或天花板上进行锯切之前，请检查电线和管道位置，小心隐藏的危险。
- ◆ 释放开关后，锯片会继续转动。务必关闭工具电源并等待锯片完全静止后，再将工具放下。

警告！ 接触或吸入锯切应用产生的灰尘可能会危害操作员以及旁观者的健康。应佩戴专用于防护粉尘和烟雾的防尘面具，并确保工作场所内或进入工作场所的人员也受到保护。

- ◆ 本使用手册描述了工具的设计用途。
- ◆ 使用非本使用手册所建议的任何其他附件或配件，或者使用本工具执行非手册建议的任何其他操作，都可能存在人身伤害和/或财产损失的危险。

他人安全

- ◆ 切勿让儿童，身体、感官或精神能力不足的人士，缺乏经验和相关知识的人士或不熟悉手册说明的人士使用该机器，当地法规可能会限制操作员的年龄。

- ◆ 附近有其他人员，特别是儿童或宠物时，切勿操作该机器。

其他风险

使用工具时，可能出现本安全警示之外的其他剩余风险。这些风险可能来自使用不当、使用时间过长等。尽管遵守了相关的安全法规并采用了安全装备，某些其他风险仍然是无法避免的。这些风险包括：

- ◆ 接触旋转/运动部件时所导致的伤害风险。
- ◆ 更换部件、锯片或配件时所导致的伤害风险。
- ◆ 长期使用工具所导致的伤害风险。长期使用任何工具时，均应定期休息。
- ◆ 听力损伤。
- ◆ 吸入工具使用过程中产生的粉尘导致的健康危害（例如，锯切木材，特别是橡木、山毛榉和中密度纤维板时）。

工具上的标签

工具上显示下列符号和日期码：



警告！ 为降低伤害风险，用户必须阅读使用手册。

电池的附加安全说明

电池

- ◆ 不论基于任何理由，都不要尝试打开电池。
- ◆ 请勿将电池暴露在水中。
- ◆ 不要将电池存放在温度可能超过 40 °C 的地方。
- ◆ 只在环境温度介于 10 °C 和 40 °C 之间的情况下充电。
- ◆ 只能使用本工具随附的充电器为电池充电。
- ◆ 处理电池时，请遵循“保护环境”部分所提供的说明进行。



不要尝试对损坏的电池充电。



工具仅供室内使用。

- ◆ 如果电源线损坏，必须让制造商或授权的 BLACK+DECKER 服务中心更换以避免发生危险。

部件名称

本工具包含如下部分或全部部件。

1. 变速触发开关
2. 锁止按钮
3. 锯片锁定杆
4. 锯片夹具
5. 锯片支撑辊

6. 导板
7. 锯片
8. 电池

组装

警告！ 组装之前，请从工具上移除电池，并确保锯片已停止。用过的锯片可能会发热。

为电池充电（图 A）

电池在首次使用之前，以及无法像从前一样对工作轻松提供足够的电量时，都需要充电。电池在充电时可能会变热；这是正常现象，而且并不表示出现问题。

警告！ 请勿在环境温度低于 10 °C 或高于 40 °C 的情况下为电池充电。建议的充电温度大约 24 °C。

注：若电池温度低于约 10 °C 或高于 40 °C，充电器将不会为电池充电。

电池应留在充电器内，充电器会在电池温度升高或降低到合适温度时自动开始充电。

- ◆ 如需为电池 (8) 充电，请插入 USB 充电器 (9) (未提供)。
- ◆ 将 USB 充电器连接到电源。
充电指示灯将闪烁。充电指示灯变为常亮时，表示充电完成。
- ◆ 充电器与电池可以长时间保持连接。
- ◆ 当电池电力耗尽时，请在 1 周内进行充电。
在电力耗尽状态下保存会大大缩短电池寿命。

安装及取出电池（图 B）

- ◆ 要安装电池 (8)，请将它与工具上的插座对齐。
将电池滑入插座，然后向上推动直到电池卡入定位。
- ◆ 要取出电池，请按下释放按钮 (10)，同时将电池从插座中拉出。

安装及卸下锯片（图 C）

- ◆ 固定锯片 (7)，锯齿朝前。
- ◆ 将锯片锁定杆 (3) 向上推。
- ◆ 将锯片柄尽可能插入锯片夹具 (4) 中。
- ◆ 释放锁定杆。
- ◆ 如需卸下锯片 (7)，向上提起锯片锁定杆 (3)，然后将锯片拉出。

启动与关闭（图 D）

- ◆ 如需启动，将锁定开关 (2) 向左滑动，然后拉住可变触发开关 (1)。
- ◆ 若要关闭，请松开触发开关 (1)。

警告！ 请勿在负载情况下开启或关闭工具。

警告！ 当激光器处于不使用状态时，始终确保摆动锁定开关 (2) 处于右侧，锁定/关闭位置。

备用锯片的存放（图 E）

- ◆ 备用刀片 (7) 可存放于工具主体的凹槽 (12) 中。

切割

- ◆ 务必双手握持电锯。
- ◆ 开始切割前让锯片空转数秒。
- ◆ 切割时仅对工具轻轻施压。
- ◆ 如果可以，用导板 (6) 压住工件。这样可以改善工具控制并减少工具振动，还能防止锯片损坏。

切割层压板

电锯沿着上行轨迹切割时，在最靠近导板的表面可能会出现碎裂痕迹。

- ◆ 使用细齿锯片。
- ◆ 从工件的背面锯切。
- ◆ 为了尽量减少碎裂情况，可在工件两面各用一块废木料或硬纸板夹紧，然后将此三层材料一起切割。

锯切金属

请注意，锯切金属花费的时间比锯切木材要长得多。

- ◆ 请使用适合锯切金属的锯片。对于含铁金属使用锯齿更精制的锯片，对于有色金属材料使用粗制锯片。
- ◆ 锯切薄金属板时，在工件的背面垫一块废木料，然后将这两层材料一起切割。
- ◆ 沿切割线涂一层润滑油膜。

附件

电动工具的性能取决于所使用的附件。

BLACK+DECKER 附件依据高质量标准进行规划，并设计用于增强电动工具的性能。使用这些配件会令您的工具如虎添翼。

该工具适用于 U 型柄和 T 型柄锯片

技术参数

BDCJS12U		
电压	伏特 ^{直流}	12
空载转速	转/分	0 - 2800 SPM
冲程长度	毫米	16
最大锯深:		
木材	毫米	52
钢材	毫米	5
铝	毫米	17
重量	千克	1.19 (含电池时则为 1.44)

电池		BDCB12U
电压	伏特 <small>直流</small>	12
空载转速	安时	1.5
冲程长度		锂离子

电池



这些组件内没有可供用户维修的零件。

- ◆ 产品生命周期结束后，请将整个装置送到您的服务代理处或当地的回收站，以便回收电池。切勿将本设备与生活垃圾混合弃置。

制造商: 史丹利百得精密制造(深圳)有限公司

地址: 广东省深圳市宝安区石岩街道水田社区捷和工业城

产地: 中国深圳

维护

BLACK+DECKER 工具设计精良，可以长期使用，仅需极少维护。要连续获得令人满意的工作效果，需要进行合适的工具维护和定期清洁。除了定期清洁外，本充电器无需进行其他维护。

除了定期清洁外，本充电器无需其他维护
警告！对工具执行维护之前，请取出工具内的电池。清洁之前，先拔下充电器插头。

- ◆ 请使用软刷或干布定期清洁工具和充电器内的通风槽。
- ◆ 定期使用湿布清洁电动机外壳。
请勿使用任何研磨性或溶剂型清洁剂。
- ◆ 定期打开夹头并轻敲以去除内部的任何粉尘。

保护环境



分类回收。本产品不得与普通家庭垃圾一起处理。

若您发现您的产品需要进行替换，或您已经不再需要使用这些产品，请不要将它们与家庭废物一起处置。请将它们单独分类回收。



分类回收使用过的产品和包装能够让材料得以再循环和再利用。

再生材料的再利用有助于防止环境污染，并降低对原材料的需求。

服务信息

BLACK+DECKER 提供覆盖整个亚洲的公司隶属和授权服务地点。所有的 BLACK+DECKER 服务中心都具有训练有素的人员，为客户提供高效和可靠的产品服务。不论您需要技术建议、维修或原厂替换部件，请联系最靠近您的 BLACK+DECKER 地点。

备注

- ◆ BLACK+DECKER 的政策是持续改进我们的产品，因此，我们保留随时更改产品规格的权利，恕不另行通知。
- ◆ 标准设备和附件可能会因国家（地区）而异。
- ◆ 不同国家（地区）的产品规格也可能会有所不同。
- ◆ 并非所有的国家（地区）都可提供完整的产品系列。

有关各产品系列的供货情况，请联系您当地的 BLACK+DECKER 代理商。

용도

BLACK+DECKER BDCJS12U 직조는 목재, 플라스틱 및 판금속 절단용으로 설계되었습니다.

본 공구는 일반 소비자용입니다.

안전 지침

전동 공구에 관한 일반 안전 경고



경고! 안전 경고와 지시 사항을 모두 읽으십시오. 아래 나열된 경고와 지시 사항을 준수하지 않으면 감전 및 화재 또는 심각한 부상을 초래할 수 있습니다.

항후 참고할 수 있도록 모든 경고 및 지시 사항을 보관해두십시오.

아래의 모든 경고에서 사용된 "전동 공구"라는 말은 주 공급 전원에 의해 전기가 공급되는(유선) 전동 공구 또는 충전식(무선) 전동 공구를 의미합니다.

1. 작업장 안전

- a. 작업장을 항상 청결하고 밝게 유지하십시오. 혼잡하거나 어두운 작업장에서는 사고가 발생하기 쉽습니다.
- b. 가연성 액체, 가스 또는 먼지 등이 있는 폭발성 대기에서 전동 공구를 사용하지 마십시오. 전동 공구에서 먼지나 가스를 발화시킬 수 있는 불꽃이 될 수 있습니다.
- c. 전동공구를 사용하는 공간에는 어린이 또는 주변 사람들이 가까이 오지 못하도록 하십시오. 주변이 산만해져 통제력을 잃을 수 있습니다.

2. 전기 안전

- a. 전동공구의 플러그는 콘센트와 형식이 일치해야 하며, 플러그를 어떤 형태로든 개조하지 마십시오. 접지된(지면 접지) 전동 공구에 어떤 어댑터 플러그도 사용하지 마십시오. 개조되지 않은 플러그 및 형식이 일치하는 콘센트를 사용하면 감전 위험이 줄어듭니다.
- b. 파이프 관, 라디에이터, 렌지, 냉장고 등의 접지 표면에 물이 닿지 않도록 하십시오. 몸에 닿을 경우 감전이 될 위험이 높아집니다.
- c. 전동 공구를 비 또는 습한 환경에 노출하지 않도록 주의하십시오. 전동 공구에 물이 들어가면 감전 위험이 높아집니다.
- d. 코드를 함부로 다루지 마십시오. 코드를 사용하여 전동공구를 운반하거나, 코드를 과도하게 잡아당겨서 플러그를 뽑지 않도록 주의 하십시오. 전열코드가 열기 또는 오일과 접촉되는 것을 피하고, 날카로운 모서리 또는 기기의 기둥 부위에 닿지 않도록 주의 하십시오. 코드가 손상되거나 얽혀 있으면 감전 위험이 높아집니다.

- e. 전동 공구를 실외에서 사용할 때는 실외 사용에 적합한 연장 코드를 사용하십시오. 실외 사용에 적합한 코드를 사용하면 감전 위험이 줄어듭니다.
- f. 전동공구를 습기 있는 장소에서 사용할 경우, 누전 차단기(RCD)로 보호된 전원 공급 장치를 사용하십시오. RCD를 사용하면 감전 위험이 줄어듭니다.

3. 신체 안전 사항

- a. 전동 공구로 작업할 때는 방심하지 말고 작업에 주의하면서 상식에 따르십시오. 피곤한 상태이거나 약물, 술, 치료제를 복용한 상태에서는 전동 공구를 사용하지 마십시오. 전동 공구를 사용하는 중에 주의력을 잃어 순간적으로 부상을 당할 수 있습니다.
- b. 신체 보호 장비를 착용하십시오. 항상 보안경을 착용하십시오. 적합한 상황에서 방진 마스크, 미끄럼 방지 안전화, 안전모 또는 청력 보호 기구 등의 보호 장비를 사용하면 신체 부상 위험이 줄어듭니다.
- c. 배터리 팩을 연결할 상태로 공구를 운반할 때는 사전에 스위치가 꺼진 위치에 있는지 반드시 확인하십시오. 상태에서 스위치가 손가락이 닿은 상태로 전동 공구를 운반하거나 전동 공구에 전원을 공급하면 사고가 발생합니다.
- d. 전동 공구를 켜기 전에 모든 조정 키 또는 렌치를 제거하십시오. 전동 공구의 회전 부품에 렌치나 키가 부착되어 있으면 부상을 당할 수 있습니다.
- e. 무리하게 팔을 뻗지 마십시오. 항상 올바른 자세로 서서 균형을 유지 하십시오. 안정된 자세로 작업을 할 경우 전동 공구를 안전하게 사용할 수 있습니다.
- f. 적절한 작업복을 착용하십시오. 헐렁한 옷이나 장신구를 착용하지 마십시오. 머리카락, 옷 및 장갑이 움직이는 부품에 닿지 않도록 유의하십시오. 헐렁한 옷, 장신구 또는 긴 머리가 움직이는 부품에 걸 수 있습니다.
- g. 먼지 배출 및 집진 시설 연결을 위한 장치가 제공된 경우, 이들 장치가 연결되어 적절히 사용되고 있는지 반드시 확인하십시오. 집진 장치를 사용하면 먼지와 관련된 위험을 줄일 수 있습니다.
- h. 장치를 자주 사용함으로써 생긴 익숙함으로 인해 현실에 안주하거나 공구 안전 원칙을 무시하지 않도록 하십시오. 부주의한 작동은 순식간에 심각한 부상을 야기할 수 있습니다.

4. 전동 공구 사용 및 관리

- a. 전동 공구에 무리한 힘을 가하지 마십시오. 해당 용도에 맞는 올바른 전동 공구를 사용하십시오. 올바른 전동 공구를 사용해야 설계된 속도로 작업을 더욱 안전하고 정확하게 수행할 수 있습니다.

- b. 스위치 켜짐/꺼짐이 되지 않는 전동 공구는 사용하지 마십시오. 스위치로 제어되지 않는 전동 공구는 위험하므로 수리해야 합니다.
 - c. 전동 공구를 조정하거나 액세서리를 변경하거나 보관하기 전에 전원 또는 배터리 팩에서 플러그를 빼십시오. 이러한 예방적 안전 조치를 따라야 전동 공구가 갑자기 작동할 위험이 줄어듭니다.
 - d. 사용하지 않는 전동 공구는 어린이의 손이 닿지 않는 곳에 보관하고, 전동 공구나 본 지시 사항에 익숙하지 않은 사람이 전동 공구를 절대 사용하지 못하게 하십시오.
전동공구에 대한 훈련을 받지 않은 사용자가 전동공구를 함부로 다룰 경우 예기치 않은 사고를 초래 할 수 있습니다.
 - e. 전동 공구 유지 보수, 움직이는 부품의 잘못된 정렬이나 바인딩, 부품 파손 및 기타 전동 공구의 작동에 영향을 미칠 수 있는 상태가 있는지 확인하십시오. 손상된 부분이 있는 경우 사용하기 전에 전동 공구를 수리하십시오. 많은 사고는 전동 공구를 제대로 유지 보수하지 않아 발생합니다.
 - f. 절단 공구를 예리하고 깨끗한 상태로 유지하십시오. 절삭 가장자리를 예리하게 잘 유지하면 절삭기를 사용할 때 바인딩이 적고 다루기가 용이합니다.
 - g. 작업 환경과 수행할 작업을 고려하여, 본 지시 사항에 따라 전동 공구, 액세서리 및 톨 비트 등을 사용하십시오. 본 사용 설명서의 내용과 다른 용도로 전동 공구를 사용하면 위험한 상황이 발생할 수 있습니다.
 - h. 핸들과 잡는 표면은 건조하고 깨끗한 상태를 유지하고 오일/기름이 묻지 않도록 하십시오. 핸들과 잡는 표면이 미끄러우면 예기치 못한 상황에서 공구를 안전하게 취급하거나 제어하지 못할 수 있습니다.
5. 배터리 공구 사용 및 관리
- a. 충전할 때는 제조업체에서 지정한 충전기만 사용하십시오. 하나의 배터리 팩 유형에 적합한 충전기를 다른 배터리 팩과 함께 사용할 경우 화재의 위험이 있습니다.
 - b. 전동 공구를 사용할 때는 구체적으로 지정되어 있는 배터리 팩만 사용하십시오. 다른 배터리 팩을 사용하면 부상을 입거나 화재의 위험이 있습니다.
 - c. 배터리 팩을 사용하지 않을 때에는 클립, 동전, 키, 못, 나사 등의 금속 물체가 닿지 않도록 멀리 두십시오. 배터리 단자가 단락되면 화상을 입거나 화재가 발생할 위험이 있습니다.
 - d. 배터리를 과다 사용하면 액체가 배터리에서 흘러 나올 수 있으므로 접촉을 피하십시오. 실수로 접촉한 경우에는 물로 씻으십시오. 액체가 눈에

- 들어진 경우 치료를 받으십시오. 배터리에서 나온 액체는 통증을 유발하거나 화상을 입힐 수 있습니다.
 - e. 손상되거나 변경된 배터리 팩 또는 공구를 사용하지 마십시오. 손상되거나 개조된 배터리는 예측할 수 없는 작용을 보여, 화재, 폭발 또는 부상 위험을 야기할 수 있습니다.
 - f. 배터리 팩 또는 공구를 불이나 과도한 온도에 노출하지 마십시오. 불 또는 265° 이상의 온도에 노출되면 폭발할 수 있습니다.
 - g. 모든 충전 지침을 따르고 배터리 팩 또는 공구를 설명서에 지정된 범위 밖의 온도에서 충전하지 마십시오. 적절하지 않게 충전하거나 지정된 범위 밖의 온도에서 충전하면 배터리가 손상되어 화재 위험이 증가될 수 있습니다.
6. 정비
- a. 자격을 갖춘 기술자가 동일 교체 부품을 사용하여 정비 작업을 수행해야 합니다. 그렇게 함으로써 전동 공구의 안전성을 오래 유지 할 수 있습니다.
 - b. 손상된 배터리 팩을 정비하지 마십시오. 배터리 팩은 제조업체 또는 공인 서비스 공급업체를 통해서만 점검을 받아야 합니다.

전동 공구에 관한 추가 안전 경고



경고! 직소에 대한 추가 안전 경고

- ◆ 절삭 액세서리가 숨겨진 배선에 접촉할 수 있는 작업을 수행할 때는 절연된 손잡이 표면만 달도록 하여 전동 공구를 잡으십시오. "전류가 흐르는" 전선에 접촉된 절삭 액세서리는 전동 공구의 노출된 금속 부품을 "전류가 흐르는" 상태로 만들어 작업자를 감전시킬 수 있습니다.
- ◆ 클램프 또는 다른 적절한 방식을 사용하여 안정된 작업대에 작업 공구를 고정 및 지지하십시오. 작업물을 손으로 잡거나 몸으로 지탱하는 행동은 불안정하여 제어력을 잃을 수 있습니다.
- ◆ 이 공구는 신체, 지각 또는 정신 능력이 낮거나 경험 및 지식이 부족한 사람(어린이 포함)이 사용하도록 설계되지 않았습니다. 이러한 사람이 사용할 때는 안전 책임자의 감독 또는 제품 사용과 관련된 지시 사항이 필요합니다. 어린이가 본 제품을 가지고 놀지 못하도록 항상 주시해야 합니다.
- ◆ 본 사용 설명서에 제품의 용도가 설명되어 있습니다. 본 사용 설명서에서 권장하는 방식 이외의 다른 방식으로 본 공구를 조작하거나 액세서리 또는 부착물을 사용하는 경우 신체 부상의 위험이 있거나 재산상의 손해가 발생할 수 있습니다.

- ◆ 손은 절삭 부분에서 멀리 두십시오. 어떤 이유론든 가공물 아래 손을 대지 마십시오. 왕복 운동을 하는 톱날 및 톱날 클램프 근처에 손가락을 넣지 마십시오. 톱을 고정하기 위해 슈를 쥐지 마십시오.
- ◆ 톱날은 예리한 상태로 유지하십시오. 무디거나 손상된 톱날은 톱에 압력을 가할 때 방향이 갑자기 바뀌거나 실속할 수 있습니다. 항상 가공할 소재와 절삭 작업 유형에 맞는 종류의 톱날을 사용하십시오.
- ◆ 파이프나 도관을 자를 때는 물, 전기 배선 등이 들어 있지 않은지 확인하십시오.
- ◆ 공구를 작동시킨 직후 작업물이나 톱날을 만지지 마십시오. 매우 뜨거울 수 있습니다.
- ◆ 보이지 않는 위험에 주의하십시오. 벽, 바닥 또는 천장에 드릴 작업을 하기 전에 배선 및 파이프의 위치를 확인하십시오.
- ◆ 스위치를 끈 뒤에도 톱날은 계속 움직입니다. 공구를 내려 놓기 전에 공구 스위치를 끄고 톱날이 완전히 멈출 때까지 기다리십시오.

경고! 절삭 작업 중에 발생한 먼지와 접촉하거나 흡입할 경우 작업자와 주변 사람들의 건강에 해로울 수 있습니다. 먼지와 연기로부터 보호하도록 특수 설계된 방진 마스크를 착용하고 작업장 내부에 있는 사람이나 작업장 내부로 들어오는 사람들도 마스크를 착용하도록 하십시오.

- ◆ 본 사용 설명서에 제품의 용도가 설명되어 있습니다.
- ◆ 본 사용 설명서에서 권장하는 방식 이외의 다른 방식으로 본 공구를 조작하거나 액세서리 또는 부착물을 사용하는 경우 신체 부상의 위험이 있거나 재산상의 손해가 발생할 수 있습니다.

다른 사람들의 안전

- ◆ 어린이, 신체, 지각 또는 정신 능력이 낮거나 경험 및 지식이 부족한 사람 또는 본 지시 사항에 익숙하지 않은 사람이 기계를 절대 사용하지 못하게 하십시오. 지역 규정에서 작업자의 연령을 제한할 수 있습니다.
- ◆ 사람들, 특히 어린이 또는 애완동물이 가까이 있을 때는 절대로 장비를 작동하지 마십시오.

기타 발생 가능한 위험

공구를 사용할 때 동봉된 안전 경고에 포함되어 있지 않은 기타 발생 가능한 위험들이 있을 수 있습니다. 이러한 위험은 오용, 장시간 사용 등으로 인해 발생할 수 있습니다.

관련된 안전 규정을 준수하고 안전 장치를 사용한다고 해도 어떤 위험들은 피하지 못할 수도 있습니다. 이러한 위험으로는 다음과 같은 것들이 있습니다.

- ◆ 회전 부품이나 작동 부품을 만져 발생하는 부상.
- ◆ 부품, 톱날 또는 액세서리 변경으로 인한 부상.

- ◆ 장시간에 걸친 공구 사용으로 인한 부상. 어떤 공구이든 장시간에 걸쳐 사용할 때는 반드시 정기적인 휴식을 취하십시오.
- ◆ 청력 손상.
- ◆ 공구 사용 중에 발생하는 먼지를 호흡하여 유발되는 건강 위해성(예: 목재, 특히 오크, 너도밤나무 및 MDF 가공 작업).

공구 라벨

공구에는 낱자 코드와 함께 다음과 같은 기호가 표시되어 있습니다.



경고! 부상 위험을 줄이려면 사용자는 사용 설명서를 주의 깊게 읽어야 합니다.

배터리 추가 안전 지침

배터리

- ◆ 어떤 이유론든 배터리 팩을 절대 열려고 하지 마십시오.
- ◆ 배터리에 물이 닿지 않도록 하십시오.
- ◆ 온도가 40 °C를 초과할 수 있는 곳에 보관하지 마십시오.
- ◆ 주변 온도가 10 °C – 40 °C 사이에 있을 때에만 충전하십시오.
- ◆ 충전할 때는 이 공구와 함께 제공된 충전기만 사용해야 합니다.
- ◆ 배터리를 폐기할 때는 "환경 보호" 섹션에 나와 있는 지시 사항을 따르십시오.



손상된 배터리를 충전하지 마십시오.



공구는 실내용으로만 사용합니다.

- ◆ 전원 코드가 손상된 경우 사고가 발생하지 않도록 제조업체 또는 공인 BLACK+DECKER 서비스 센터에서 교체해야 합니다.

기능

본 공구에는 다음 기능들 중 일부 또는 모두가 포함되어 있습니다.

1. 가변 속도 트리거 스위치
2. 락오프 버튼
3. 톱날 잠금 레버
4. 톱날 클램프
5. 톱날 지지 롤러
6. 슈 플레이트

7. 톱날
8. 배터리

조립

경고! 조립하기 전에 공구에서 배터리를 분리하고 톱날이 정지되었는지 확인하십시오. 사용한 후의 톱날은 뜨겁습니다.

배터리 충전(그림 A)

배터리는 처음 사용하기 전에, 그리고 이전에 간단히 수행했던 작업에서 전력이 부족할 때마다 충전해야 합니다. 충전 중에 배터리가 뜨거워질 수도 있습니다. 이는 정상적인 현상이며 고장이 아닙니다.

경고! 주변 온도가 10°C 미만이거나 40°C 이상일 때는 배터리를 충전하지 마십시오. 권장 충전 온도: 약 24°C.

참고: 전지 온도가 10°C 미만이거나 40°C를 초과했을 때는 충전기가 배터리를 충전하지 않습니다.

배터리를 충전기에 남겨 둘 경우 전지 온도가 올라가거나 내려가면 충전기가 자동으로 충전을 시작합니다.

- ◆ 배터리(8)를 충전하려면, USB 충전기(9) (제공되지 않음)를 끼웁니다.
- ◆ USB 충전기를 전원에 연결합니다. 충전 표시등이 깜박입니다. 충전 표시등이 계속 켜져 있으면 충전이 완료된 것입니다.
- ◆ 충전기와 배터리는 계속 연결된 상태로 둘 수 있습니다.
- ◆ 방전된 배터리는 1주일 내에 충전하십시오. 방전된 상태로 보관하면 배터리 수명이 크게 저하됩니다.

배터리 장착 및 분리(그림 B)

- ◆ 배터리(8)를 끼우려면 배터리를 공구의 배터리 장착부에 맞춥니다. 배터리를 배터리 장착부에 밀어 넣고 제자리에 들어갈 때까지 밀어 올립니다.
- ◆ 배터리를 분리하려면 두 개의 탈착 버튼(10)을 누름과 동시에 배터리를 배터리 장착부 밖으로 뺍니다.

톱날 장착 및 분리(그림 C)

- ◆ 톱날이 앞쪽을 향하도록 톱날(7)을 잡습니다.
- ◆ 톱날 잠금 레버(3)를 위쪽으로 올립니다.
- ◆ 톱날 클램프(4)에 톱날의 상크를 최대한 끼우십시오.
- ◆ 레버를 풀어 줍니다.
- ◆ 톱날(7)을 제거하려면, 톱날 잠금 레버(3)를 올리고 날을 당겨 뺍니다.

전원 켜기 및 끄기(그림 D)

◆ 스위치를 켜려면, 락오프 스위치(2)를 왼쪽으로 민 다음 가변 on/off 트리거 스위치(1)를 당겨 고정시키십시오.

◆ 전원을 끄려면, 트리거 스위치(1)를 놓습니다.

경고! 부하가 실려 있을 때는 공구를 켜거나 끄지 마십시오.

경고! 공구를 사용하지 않을 때는 항상 락 오프 스위치(2)를 오른쪽, 잠금 위치로 밀어 놓습니다.

예비용 날 보관(그림 E)

◆ 예비용 날(7)은 공구 본체의 안쪽 부분(12)에 보관할 수 있습니다.

톱질

- ◆ 공구는 항상 두 손으로 잡으십시오.
- ◆ 절단을 시작하기 전에 몇 초 동안 날을 자유롭게 돌리십시오.
- ◆ 절단할 때는 공구에 적당한 압력만 가하십시오.
- ◆ 가능하다면 슈 플레이트(6)를 가공물에 대고 누르면서 작업하십시오. 이렇게 하면 공구 제어가 용이해지고 공구의 진동이 줄어들 뿐 아니라 톱날 손상도 막아줍니다.

래미네이트 톱질

톱날은 위쪽으로 움직일 때 절삭을 하기 때문에 슈 플레이트에 가장 가까운 표면이 깨질 수 있습니다.

- ◆ 톱날이 아주 작은 톱날을 사용하십시오.
- ◆ 작업을 뒷면에서부터 톱질하십시오.
- ◆ 파편 발생을 최소화하기 위해 작업을 양면에 목재 조각이나 하드보드를 고정된 뒤 겹쳐진 상태에서 절단하십시오.

금속 톱질

금속 톱질에는 목재 톱질에 비해 훨씬 많은 시간이 소요됩니다.

- ◆ 금속 톱질에 적합한 톱날을 사용하십시오. 철금속용으로는 톱날이 아주 작은 톱날을, 비철금속용으로는 톱날이 좀 더 굵은 톱날을 사용하십시오.
- ◆ 얇은 철판을 절단할 때는 목재 조각을 가공물 뒷면에 고정된 뒤 절단하십시오.
- ◆ 원하는 절단선을 따라 오일을 뿌려 주십시오.

액세서리

전동 공구의 성능은 사용한 액세서리에 따라 결정됩니다. BLACK+DECKER 액세서리는 높은 품질 기준을 만족하도록 제조되었으며, 공구의 성능을 향상시키도록 설계되었습니다. 이러한 액세서리를 사용함으로써 공구의 기능을 최대한 활용할 수 있습니다.

이 공구는 U-상크 및 T-상크 톱날 모두에 적합합니다.

기술 데이터

BDCJS12U		
전압	V _{DC}	10.8
무부하 속도	분 ⁻¹	0 - 2800 SPM
스트로크 길이	mm	16
최대 절단 깊이:		
목재	mm	52
철재	mm	5
알루미늄	mm	17
무게	kg	1.19(배터리 1.44 포함)

BDCB12U		
전압	V _{DC}	10.8
무부하 속도	Ah	1.5
스트로크 길이		리튬 이온

유지 보수

BLACK+DECKER 공구는 최소한의 유지 보수로 장기간에 걸쳐 작업이 가능하도록 설계되어 있습니다. 만족스러운 연속 작동은 적절한 공구 관리와 정기적인 청소에 따라 그 성능이 달라질 수 있습니다. 충전기는 정기적인 청소 이외에 유지 보수가 필요하지 않습니다. 충전기는 정기적인 청소 이외에 유지 보수가 필요하지 않습니다.

경고! 공구를 유지 보수하려면 먼저 공구에서 배터리를 분리하십시오. 충전기를 청소하기 전에 충전기의 플러그를 뽑으십시오.

- ◆ 부드러운 브러시와 마른 헝겊으로 공구 및 충전기의 환기 슬롯을 주기적으로 청소하십시오.
- ◆ 젖은 헝겊으로 모터 하우징을 주기적으로 청소하십시오.
연마재 및 유성 클리너를 사용하지 마십시오.
- ◆ 척을 주기적으로 열고 가볍게 두드려 내부의 먼지를 털어내십시오.

환경 보호



분리 수거. 본 제품을 일반 가정용 쓰레기로 처리하면 안됩니다.

더 이상 사용하지 않을 경우, 가정용 쓰레기와 함께 버리지 마십시오. 이 제품은 분리 수거하십시오.



사용하던 제품과 포장을 분리 수거하면 자원을 재활용 및 재사용할 수 있습니다.

재활용 자원을 이용하면 환경 오염이 방지되고 고철 자원에 대한 수요를 줄일 수 있습니다.

서비스 정보

BLACK+DECKER 제품은 가까운 동부 대우전자 서비스센터(구 대우일렉서비스센터)에서 서비스를 받으실 수 있습니다. 모든 BLACK+DECKER 서비스 센터에는 교육을 이수한 전문 인원이 배치되어 있어 고객에게 효과적이고 믿을 수 있는 제품 서비스를 제공하고 있습니다. 기술 지원, 수리 또는 순정 교체 부품이 필요한 모든 경우에 가까운 BLACK+DECKER(1577-0933)로 연락하십시오. 연락하십시오.

참고

- ◆ BLACK+DECKER는 제품을 지속적으로 개선시키기 때문에 사전 통지 없이 제품 사양이 변경될 수 있습니다.
- ◆ 기본 장비 및 액세서리 구성은 각 국가에 따라 다를 수 있습니다.
- ◆ 제품 사양은 국가에 따라 다를 수 있습니다.
- ◆ 국가에 따라 판매하지 않는 제품도 있을 수 있습니다.

제품 판매 여부는 해당 지역에 있는 BLACK+DECKER 판매점으로 문의하십시오.

배터리



내부에 사용자가 수리할 수 있는 부품이 없습니다.

- ◆ 제품 수명이 다하면 배터리를 서비스 대리점이나 지역 재활용 센터로 가져가십시오. 기기를 가정용 쓰레기와 함께 버리지 마십시오.

Tujuan penggunaan

Gergaji ukir BLACK+DECKER BDCJS12U Anda dirancang untuk menggergaji kayu, plastik, dan lembaran logam. Alat ini ditujukan hanya untuk penggunaan konsumen.

Petunjuk keselamatan

Peringatan umum untuk keselamatan alat listrik



Peringatan! Baca seluruh peringatan keselamatan dan seluruh petunjuk. Kegagalan mengikuti peringatan dan petunjuk yang tercantum di bawah ini dapat mengakibatkan sengatan listrik, kebakaran, dan/atau cedera berat.

Simpan semua peringatan dan petunjuk untuk referensi di masa mendatang.

Istilah "alat listrik" dalam seluruh peringatan yang tercantum di bawah ini merujuk pada alat listrik bertenaga listrik (berkabel) atau alat listrik bertenaga baterai (nirkabel) Anda.

1. Keselamatan area kerja

- Jaga agar area kerja tetap bersih dan terang.** Area yang berantakan atau gelap berpotensi mengakibatkan kecelakaan.
- Jangan operasikan alat listrik di lingkungan yang dapat meledak, misalnya jika terdapat cairan, gas, atau debu yang mudah terbakar.** Alat listrik menimbulkan percikan api yang dapat menyulut debu atau uap.
- Jauhkan anak-anak dan orang-orang di sekitar Anda saat mengoperasikan alat listrik.** Gangguan dapat menyebabkan Anda kehilangan kendali.

2. Keselamatan kelistrikan

- Steker alat listrik harus sesuai dengan soketnya. Jangan pernah memodifikasi steker dengan cara apa pun. Jangan gunakan steker adaptor apa pun dengan alat listrik yang dibumikan (diardekan).** Steker yang tidak dimodifikasi dan stopkontak yang sesuai akan mengurangi risiko sengatan listrik.
- Hindari kontak badan dengan permukaan yang dibumikan atau diardekan, seperti pipa, radiator, kompor, dan kulkas.** Risiko sengatan listrik dapat meningkat jika tubuh Anda bersentuhan dengan permukaan yang dibumikan atau diardekan.
- Jangan sampai alat listrik ini terkena hujan atau terpapar ke kondisi yang basah.** Air yang masuk ke alat listrik akan meningkatkan risiko sengatan listrik.
- Jangan menyalahgunakan kabel. Jangan sekali-kali menggunakan kabel untuk membawa, menarik, atau mencabut alat listrik. Jauhkan kabel dari panas, minyak, tepi tajam, atau komponen yang bergerak.**

Kabel yang rusak atau terbelit meningkatkan risiko sengatan listrik.

- Bila mengoperasikan alat listrik di luar ruangan, gunakan kabel ekstensi yang sesuai untuk penggunaan di luar ruangan.** Menggunakan kabel yang sesuai untuk penggunaan di luar ruangan akan mengurangi risiko sengatan listrik.
 - Jika terpaksa mengoperasikan alat listrik di lokasi lembap, gunakan catu daya yang dilindungi pemutus sirkuit arus sisa (RCD).** Penggunaan RCD mengurangi risiko Penggunaan RCD akan mengurangi risiko sengatan listrik.
- ### 3. Keselamatan diri
- Tetap waspada, perhatikan apa yang Anda kerjakan dan gunakan akal sehat saat mengoperasikan alat listrik. Jangan mengoperasikan alat listrik bila Anda sedang lelah, atau berada di bawah pengaruh obat, alkohol, atau pengobatan.** Kelengahan sesaat saja saat mengoperasikan alat listrik dapat mengakibatkan cedera diri serius.
 - Gunakan peralatan pelindung diri. Selalu kenakan alat pelindung mata.** Peralatan pelindung, seperti masker debu, sepatu keselamatan antiselip, helm proyek, atau pelindung telinga yang digunakan untuk kondisi yang sesuai akan mengurangi risiko cedera diri.
 - Hindarkan menyalakan alat tanpa disengaja. Pastikan bahwa sakelar sudah dalam posisi mati sebelum menghubungkannya ke sumber listrik dan/atau baterai, mengambil, atau membawa alat.** Membawa alat listrik dengan jari Anda masih menempel pada tombol atau menghidupkan alat listrik yang tombolnya masih menyalakan berpotensi mengakibatkan kecelakaan.
 - Lepaskan semua kunci setelah atau kunci pas sebelum menghidupkan alat listrik.** Kunci pas atau kunci yang dibiarkan terpasang pada komponen alat listrik yang berputar dapat mengakibatkan cedera diri.
 - Jangan melampaui batas. Selalu jaga pijakan dan keseimbangan yang baik.** Hal ini memungkinkan Anda untuk mengendalikan alat listrik secara lebih baik dalam situasi yang tidak terduga.
 - Kenakan pakaian yang sesuai. Jangan mengenakan pakaian longgar atau perhiasan. Jauhkan rambut, pakaian dan sarung tangan dari komponen yang bergerak.** Pakaian yang longgar, perhiasan atau rambut panjang dapat tersangkut pada komponen yang bergerak.
 - Jika disediakan perangkat untuk sambungan fasilitas pengeluaran dan pengumpulan debu, pastikan alat ini dihubungkan dan digunakan dengan sesuai.** Penggunaan alat pengumpul debu dapat mengurangi bahaya yang ditimbulkan oleh debu.

- h. **Jangan biarkan keakraban karena keseringan penggunaan alat membuat Anda berpuas diri dan mengabaikan prinsip keselamatan alat.** Tindakan ceroboh dapat menyebabkan cedera parah dalam hitungan sepersekian detik.
4. **Penggunaan dan pemeliharaan alat listrik**
- a. **Jangan menggunakan alat listrik dengan paksa. Gunakan alat listrik yang sesuai untuk aplikasi Anda.** Alat listrik yang tepat akan bekerja lebih baik dan aman pada tingkat kelajuan yang telah dirancang untuk alat itu.
- b. **Jangan gunakan alat listrik ini jika sakelar tidak dapat menghidupkan dan mematikan alat.** Alat listrik apa pun yang tidak dapat dikendalikan dengan tombol adalah berbahaya dan harus diperbaiki.
- c. **Lepaskan stopkontak dari sumber listrik dan/atau baterai dari alat listrik sebelum melakukan penyetelan apa pun, mengganti aksesoris, atau menyimpan alat listrik.** Tindakan pencegahan untuk keselamatan seperti itu akan mengurangi risiko menyalakan alat listrik secara tidak disengaja.
- d. **Simpan alat listrik yang tidak digunakan jauh dari jangkauan anak-anak, dan jangan membolehkan orang yang tidak memahami alat listrik atau petunjuk ini untuk mengoperasikannya.** Alat listrik dapat berbahaya bila digunakan oleh pengguna yang tidak terlatih.
- e. **Rawat alat listrik. Lakukan pemeriksaan untuk mengetahui apakah ada komponen bergerak yang tidak sejajar atau bengkok, komponen yang patah, dan kondisi lainnya yang dapat memengaruhi pengoperasian alat listrik. Jika rusak, perbaiki alat listrik sebelum digunakan.** Banyak terjadi kecelakaan akibat alat listrik yang tidak terawat dengan baik.
- f. **Jaga ketajaman dan kebersihan alat pemotong.** Alat pemotong yang terawat dengan baik dengan mata potong yang tajam akan kecil kemungkinannya untuk macet serta lebih mudah untuk dikendalikan.
- g. **Gunakan alat listrik, aksesoris, dan mata bor, dsb., sesuai petunjuk ini, dengan memperhitungkan persyaratan kerja dan jenis pekerjaan yang harus dilakukan.** Penggunaan alat listrik untuk pengoperasian yang tidak sesuai dengan tujuan penggunaan dapat mengakibatkan situasi yang berbahaya.
- h. **Jaga agar pegangan dan permukaan pegangan tetap kering, bersih, dan bebas dari minyak dan lemak.** Pegangan dan permukaan pegangan yang licin tidak memungkinkan untuk melakukan penanganan dan pengendalian alat dengan aman saat dalam situasi tak terduga.
5. **Penggunaan dan pemeliharaan alat bertenaga baterai**
- a. **Isi ulang daya baterai hanya dengan pengisi daya yang ditetapkan oleh pabrik.** Pengisi daya yang cocok untuk satu tipe baterai dapat menimbulkan risiko kebakaran jika digunakan pada baterai lainnya.
- b. **Gunakan alat hanya dengan baterai yang ditujukan secara khusus.** Penggunaan baterai lainnya dapat menimbulkan risiko cedera dan kebakaran.
- c. **Bila tidak dipakai, jauhkan baterai dari benda logam lainnya seperti klip penjepit kertas, koin, kunci, paku, sekrup, atau benda logam kecil lainnya yang dapat menimbulkan hubungan listrik dari satu terminal ke terminal lainnya.** Menghubungkan kedua terminal baterai dengan kabel secara tidak semestinya dapat mengakibatkan luka bakar atau kebakaran.
- d. **Pemakaian yang salah bisa menyebabkan keluarnya cairan dari baterai; hindari kontak.** Jika tidak sengaja tersentuh, bilas dengan air. Jika cairan mengenai mata, carilah juga bantuan medis. Cairan yang keluar dari baterai dapat menyebabkan iritasi atau luka bakar.
- e. **Jangan menggunakan baterai atau alat yang rusak atau sudah dimodifikasi.** Baterai yang rusak atau sudah dimodifikasi dapat memicu perilaku yang tidak dapat diprediksikan yang mengakibatkan kebakaran, ledakan, atau risiko cedera.
- f. **Jangan paparkan baterai atau alat pada api atau suhu yang berlebihan.** Paparan pada api atau suhu di atas 265° F dapat menyebabkan ledakan.
- g. **Ikuti semua petunjuk pengisian daya dan jangan mengisi daya baterai atau alat di luar rentang suhu yang ditetapkan dalam petunjuk ini.** Pengisian daya yang tidak tepat atau pada suhu di luar rentang yang disebutkan dapat merusak baterai dan meningkatkan risiko kebakaran.
6. **Servis**
- a. **Alat listrik sebaiknya diservis oleh teknisi yang berkualifikasi dan hanya menggunakan komponen pengganti yang persis sama.** Hal ini akan membuat keamanan alat listrik selalu terjaga.
- b. **Jangan mengisi daya baterai yang rusak.** Servis baterai hanya harus dilakukan oleh produsen atau penyedia layanan yang berwenang.

Peringatan tambahan untuk keamanan alat listrik



Peringatan! Peringatan keselamatan tambahan untuk jigsaw

- ◆ **Pegang alat listrik pada permukaan pegangan berpenyekat saat melakukan pengoperasian di mana aksesoris pemotong dapat bersentuhan dengan kabel tersembunyi.** Aksesoris pemotong yang bersentuhan dengan kabel bertegangan listrik dapat mengalirkan arus listrik pada komponen logam dari alat listrik dan menyebabkan sengatan listrik pada pengguna.

- ◆ **Gunakan jepitan atau cara praktis lain untuk mengamankan dan menyangga benda kerja pada landasan yang stabil.** Memegang benda dengan tangan atau disandarkan pada tubuh Anda akan membuatnya tidak stabil dan dapat mengakibatkan hilangnya kendali.
- ◆ Produk ini tidak ditujukan untuk penggunaan oleh orang (termasuk anak-anak) yang menderita kekurangan kemampuan fisik, sensorik, atau mental, atau kurang pengalaman dan pengetahuan, kecuali apabila mereka diawasi atau diarahkan dalam penggunaan peralatan ini oleh orang yang bertanggung jawab atas keselamatan mereka. Anak-anak harus diawasi agar mereka tidak bermain-main dengan peralatan ini.
- ◆ Tujuan penggunaan dijelaskan dalam panduan pengguna ini. Menggunakan aksesoris atau peralatan tambahan, maupun mengoperasikan alat ini dengan cara yang tidak sesuai dengan yang disarankan dalam panduan pengguna ini dapat menimbulkan risiko cedera tubuh dan/ atau kerusakan benda-benda milik pribadi.
- ◆ **Jauhkan kedua tangan dari area pemotongan.** Jangan pernah menjangkau ke bawah benda kerja dengan tujuan apa pun. Jangan memasukkan jari atau jempol ke sekitar pisau gergaji dan penjepit pisau gergaji yang bergerak maju mundur. Jangan menstabilkan gergaji dengan memegang bantalan gergaji.
- ◆ **Jaga agar pisau gergaji tetap tajam.** Pisau gergaji yang tumpul atau rusak dapat menyebabkan gergaji melenceng atau berhenti di bawah tekanan. Selalu gunakan jenis pisau gergaji yang sesuai untuk material benda kerja dan jenis pemotongan.
- ◆ **Ketika memotong pipa atau saluran, pastikan bahwa semuanya bebas dari air, kabel listrik, dll.**
- ◆ **Jangan sentuh benda kerja atau pisau gergaji segera setelah selesai mengoperasikan alat.** Keduanya bisa jadi sangat panas.
- ◆ **Waspada terhadap bahaya yang tersembunyi, sebelum memotong tembok, lantai, atau langit-langit, periksa dulu penempatan kabel dan pipa.**
- ◆ **Pisau gergaji akan terus bergerak setelah sakelar dilepas.** Selalu matikan alat dan tunggu pisau gergaji untuk berhenti sepenuhnya sebelum meletakkan alat ini.

Peringatan! Kontak atau penghirupan debu yang ditimbulkan oleh aplikasi pemotongan dapat membahayakan kesehatan pengguna dan orang-orang yang mungkin ada di sekelilingnya. Pakai masker debu yang dirancang secara khusus untuk melindungi terhadap debu dan uap, dan pastikan bahwa orang yang berada di dalam atau yang memasuki area kerja juga terlindungi.

- ◆ Tujuan penggunaan dijelaskan dalam panduan pengguna ini.
- ◆ Menggunakan aksesoris atau peralatan tambahan, maupun mengoperasikan alat ini dengan cara yang tidak sesuai dengan yang disarankan dalam panduan pengguna

ini dapat menimbulkan risiko cedera tubuh dan/atau kerusakan benda-benda milik pribadi.

Keselamatan orang lain

- ◆ Jangan biarkan anak-anak atau orang dengan keterbatasan kemampuan fisik, sensor, maupun mental atau kurang pengalaman dan pengetahuan atau orang-orang yang tidak memahami petunjuk ini menggunakan mesin ini, peraturan setempat mungkin membatasi usia operator.
- ◆ Jangan mengoperasikan alat ini saat orang lain, khususnya anak-anak, atau binatang peliharaan tengah berada di dekat Anda.

Risiko-risiko lain

Risiko-risiko lain dapat timbul saat menggunakan alat, yang mungkin tidak tercantum dalam peringatan keselamatan yang disertakan. Risiko-risiko ini dapat diakibatkan oleh penyalahgunaan, penggunaan yang terlalu lama, dsb. Sekalipun peraturan keselamatan terkait sudah diterapkan dan peralatan pengaman sudah digunakan, risiko-risiko lain tertentu tidak dapat dihindari. Ini meliputi:

- ◆ Cedera yang diakibatkan karena menyentuh komponen yang berputar/bergerak.
- ◆ Cedera yang terjadi saat mengganti komponen, pemotong, atau aksesoris.
- ◆ Cedera yang diakibatkan karena penggunaan alat untuk waktu lama. Jika menggunakan alat apa pun untuk waktu yang lama, pastikan Anda mengistirahatkannya secara berkala.
- ◆ Kerusakan indra pendengaran.
- ◆ Bahaya kesehatan yang disebabkan oleh menghirup debu yang ditimbulkan oleh penggunaan alat (contoh: mengampelas kayu, khususnya kayu oak, beech, dan MDF)

Label pada alat

Simbol berikut beserta kode tanggal ditampilkan pada peralatan:



Peringatan! Untuk mengurangi risiko cedera, pengguna harus membaca buku petunjuk.

Petunjuk keselamatan tambahan untuk baterai

Baterai

- ◆ Jangan pernah membuka baterai dengan maksud apa pun.
- ◆ Jangan paparkan baterai pada air.
- ◆ Jangan simpan di lokasi yang suhunya melebihi 40 °C.
- ◆ Lakukan pengisian daya hanya pada suhu lingkungan antara 10 °C hingga 40 °C.

- ◆ Isi ulang daya hanya menggunakan pengisi daya yang disertakan bersama alat.
- ◆ Saat membuang baterai, ikuti petunjuk yang diberikan dalam bagian "Melindungi Lingkungan".



Jangan pernah mengisi ulang daya baterai rusak.



Alat hanya ditujukan untuk penggunaan dalam ruangan.

- ◆ Jika rusak, kabel daya harus diganti oleh produsen atau Pusat Servis BLACK+DECKER resmi guna menghindari terjadinya bahaya.

Fitur

Alat ini memiliki beberapa atau semua fitur berikut ini.

1. Sakelar pemicu kecepatan variabel
2. Tombol pengunci
3. Tuas pengunci pisau gergaji
4. Penjepit bilah gergaji
5. Rol dudukan pisau
6. Pelat bantalan
7. Pisau gergaji
8. Baterai

Perakitan

Peringatan! Sebelum perakitan, keluarkan baterai dari alat dan pastikan bahwa mata gergaji telah berhenti. Mata gergaji yang sudah digunakan dapat menjadi panas.

Mengisi ulang baterai (gambar A)

Baterai perlu diisi ulang sebelum penggunaan pertama dan setiap kali baterai tidak mampu menghasilkan daya yang memadai untuk mengerjakan pekerjaan yang sebelumnya mudah dilakukan. Baterai akan menghangat pada saat diisi ulang; ini wajar dan tidak menandakan adanya masalah.

Peringatan! Jangan isi daya baterai pada suhu sekitar di bawah 10°C atau di atas 40°C. Suhu pengisian daya yang disarankan: sekitar 24 °C.

Catatan: Pengisi daya tidak akan mengisi ulang baterai jika suhu sel di bawah kurang lebih 10 ° atau di atas 40 °C. Baterai harus dibiarkan dalam pengisi daya, dan pengisi daya akan mulai mengisi ulang daya secara otomatis bilamana suhu sel menghangat atau mendingin.

- ◆ Untuk mengisi daya baterai (8), masukkan pengisi daya USB (9) (tidak disertakan).
- ◆ Sambungkan pengisi daya USB ke sumber listrik. Indikator pengisian daya akan segera berkedip. Pengisian daya selesai bilamana indikator pengisian daya terus menerus menyala.
- ◆ Pengisi daya dan baterai dapat dibiarkan terus tersambung.

- ◆ Isi ulang baterai kosong sebelum 1 minggu. Masa pakai baterai akan menurun drastis jika disimpan dalam kondisi kosong.

Memasang dan melepas baterai (gambar B)

- ◆ Untuk memasang baterai (8), sejajarkan dengan wadah pada alat. Sorongkan baterai masuk ke dalam wadahnya dan dorong sampai baterai terpasang dengan pas.
- ◆ Untuk melepas baterai, tekan tombol pelepas (10) dan tarik baterai keluar dari lubang.

Memasang dan melepas baterai (gbr. C)

- ◆ Pegang bilah gergaji (7) dengan gigi menghadap ke depan.
- ◆ Angkat tuas pengunci gergaji pisau (3) ke atas.
- ◆ Masukkan batang bilah gergaji sepenuhnya ke dalam penjepit bilah (4) sejauh mungkin.
- ◆ Lepaskan tuas.
- ◆ Untuk melepas bilah gergaji (7), angkat tuas pengunci bilah gergaji (3) ke atas dan tarik bilah keluar.

Menyalakan dan mematikan (gbr. D)

- ◆ Untuk menyalakan, geser sakelar off kunci (2) ke kiri, kemudian tarik dan tekan sakelar pemicu on/off variabel (1).
- ◆ Untuk mematikan, lepaskan sakelar pemicu (1).

Peringatan! Jangan menyalakan atau mematikan alat saat dibebani. **Peringatan!** Selalu geser sakelar off kunci (2) ke kanan, posisi terkunci saat alat tidak digunakan.

Penyimpanan bilah cadangan (gbr. E)

- ◆ Bilah cadangan (7) dapat disimpan di ceruk (12) pada bagian utama alat.

Menggergaji

- ◆ Selalu pegang alat dengan kedua tangan.
- ◆ Biarkan pisau berputar bebas beberapa detik sebelum mulai memotong.
- ◆ Gunakan tekanan ringan pada alat pada saat melakukan pemotongan.
- ◆ Jika memungkinkan, bekerjalah dengan pelat bantalan gergaji (6) ditekan pada material kerja. Langkah ini akan meningkatkan kendali alat dan mengurangi getaran alat, serta mencegah bilah mengalami kerusakan.

Penggergajian laminasi

Saat pisau gergaji memotong pada langkah pemotongan ke atas, serpihan dapat terjadi pada permukaan yang paling dekat dengan pelat bantalan.

- ◆ Gunakan pisau gergaji dengan gerigi yang halus.
- ◆ Lakukan penggergajian dari permukaan belakang benda kerja.

- ◆ Untuk meminimalkan serpihan, sisipkan sebatang kayu sisa atau kardus ke kedua sisi benda kerja dan lakukan penggergajian melalui tumpukan ini.

Penggergajian logam

Perlu diketahui bahwa penggergajian logam membutuhkan lebih banyak waktu daripada penggergajian kayu.

- ◆ Gunakan pisau gergaji yang sesuai untuk penggergajian logam. Gunakan bilah gergaji yang dengan gerigi yang halus untuk logam besi dan bilah gergaji kasar untuk logam non-besi.
- ◆ Ketika memotong logam lembaran, sisipkan sebatang kayu sisa ke permukaan belakang benda kerja dan lakukan pemotongan melalui tumpukan ini.
- ◆ Oleskan lapisan tipis oli di sepanjang garis pemotongan yang diinginkan.

Aksesori

Kinerja alat Anda tergantung pada aksesori yang digunakan. Aksesori Black+Decker dibuat dengan standar kualitas yang tinggi dan dirancang untuk meningkatkan kinerja alat Anda. Dengan menggunakan aksesori tersebut, Anda akan memaksimalkan penggunaan alat.

Alat ini cocok untuk bilah gergaji pangkal U dan pangkal T

Data teknis

		BDCJS12U
Voltase	V_{DC}	12
Kecepatan tanpa beban	Mnt^{-1}	0 - 2800 SPM
Panjang Pemotongan	mm	16
Kedalaman pemotongan maks.:		
Kayu	mm	52
Baja	mm	5
Aluminium	mm	17
Berat	kg	1,19 (dengan baterai 1,44)

		BDCB12U
Voltase	V_{DC}	12
Kecepatan tanpa beban	Ah	1,5
Tipe Baterai		Li-Ion

Pemeliharaan

Alat BLACK+DECKER Anda telah dirancang untuk beroperasi pada periode waktu yang lama dengan pemeliharaan minimum. Operasi yang terus memuaskan tergantung pada perawatan alat yang tepat dan pembersihan secara teratur. Alat pengisi daya Anda tidak membutuhkan perawatan apa pun selain dari pembersihan secara teratur.

Pengisi daya tidak membutuhkan perawatan lain di luar pembersihan berkala

Peringatan! Sebelum melakukan perawatan apa pun pada alat, lepaskan dulu baterai dari alat. Lepas pengisi daya sebelum membersihkannya.

- ◆ Bersihkan celah ventilasi pada alat dan pengisi daya secara teratur dengan menggunakan sikat lembut atau lap kering.
- ◆ Bersihkan kerangka motor secara teratur dengan menggunakan kain bersih yang lembap. Jangan gunakan bahan pembersih abrasif atau pembersih berbasis dasar larutan apa pun.
- ◆ Buka gagang secara berkala dan ketuk-ketuk untuk mengeluarkan debu dari bagian dalam alat.

Melindungi lingkungan



Pengumpulan terpisah. Produk ini tidak boleh dibuang bersama limbah rumah tangga biasa.

perlu unit pengganti atau jika sudah tidak lagi berguna bagi Anda, jangan dibuang bersama limbah rumah tangga. Pisahkan pembuangan produk ini.



Pengumpulan produk dan kemasan bekas secara terpisah memungkinkan bahan untuk didaur ulang dan digunakan lagi.

Penggunaan kembali bahan yang didaur ulang membantu mencegah pencemaran lingkungan dan mengurangi permintaan kebutuhan bahan baku.

Informasi Servis

BLACK+DECKER menawarkan jaringan lengkap milik perusahaan dan lokasi servis resmi di seluruh Asia. Semua Pusat Servis BLACK+DECKER memiliki staf terlatih agar dapat memberikan layanan produk yang efisien dan andal kepada konsumen. Bila Anda membutuhkan saran teknis, perbaikan, atau suku cadang pengganti asli pabrik, hubungi lokasi BLACK+DECKER terdekat.

CATATAN

- ◆ BLACK+DECKER memiliki kebijakan untuk terus meningkatkan produk dan karenanya, kami berhak mengubah spesifikasi produk tanpa pemberitahuan sebelumnya.
- ◆ Perlengkapan dan aksesoris standar mungkin akan berbeda di setiap negara.
- ◆ Spesifikasi produk mungkin akan berbeda di setiap negara.
- ◆ Pilihan produk lengkap mungkin tidak tersedia di semua negara.

Untuk mengetahui ketersediaan produk, hubungi dealer BLACK+DECKER setempat Anda.

Baterai



Tidak ada komponen yang dapat diservis oleh pengguna di dalamnya.

- ◆ Pada akhir masa pakai produk Anda, kembalikanlah seluruh unit ke agen servis Anda atau stasiun daur ulang lokal untuk mendaur ulang baterai. Jangan buang unit bersama limbah rumah tangga.

Di impor oleh : PT. Stanley Black & Decker

Alamat : Menara Standard Chartered Level 31
Jl. Prof Dr. Satrio No. 164 RT/RW 003/004
Kel. Karet, Kec. Setiabudi Jakarta Selatan,
12930-Indonesia

วัตถุประสงค์ในการใช้งาน

เลื่อยฉลุไฟฟ้า BLACK+DECKER BDCJS12U ได้รับการออกแบบมาสำหรับการเลื่อยไม้ พลาสติค และแผ่นโลหะ เครื่องมือนี้มีวัตถุประสงค์เพื่อการใช้งานของผู้บริโภคเท่านั้น

ข้อปฏิบัติเพื่อความปลอดภัย

คำเตือนเพื่อความปลอดภัยสำหรับเครื่องมือไฟฟ้าทั่วไป



คำเตือน! โปรดอ่านคำเตือนเพื่อความปลอดภัยและคำแนะนำทั้งหมด การไม่ปฏิบัติตามคำเตือนและคำแนะนำเหล่านี้อาจทำให้ถูกไฟดูด เกิดเพลิงไหม้และ/หรือบาดเจ็บสาหัสได้

โปรดเก็บรักษาคำเตือนและข้อปฏิบัติทั้งหมดนี้ไว้เพื่อการอ้างอิงในภายหลัง

คำว่า "เครื่องมือไฟฟ้า" ในคำเตือนทั้งหมดที่แสดงไว้ข้างล่าง หมายถึงเครื่องมือไฟฟ้า (แบบมีสาย) ที่ทำงานด้วยแหล่งจ่ายไฟหลัก หรือเครื่องมือไฟฟ้า (แบบไร้สาย) ที่ทำงานด้วยแบตเตอรี่

1. ความปลอดภัยในบริเวณที่ทำงาน

- ก. รักษาความสะอาดและจัดให้มีแสงสว่างเพียงพอในบริเวณที่ทำงาน บริเวณที่มีดหรือมีของวางระเกะระกะอาจทำให้เกิดอุบัติเหตุได้
- ข. ห้ามใช้เครื่องมือไฟฟ้าในบริเวณที่อาจเกิดการระเบิด เช่น ในสถานที่ที่มีของเหลว แก๊ส หรือฝุ่นละอองที่มีคุณสมบัติไวไฟ เครื่องมือไฟฟ้าจะทำให้เกิดประกายไฟที่อาจทำให้เกิดละอองไฟหรือเปลวไฟขึ้นได้
- ค. กันเด็กเล็กและคนที่เดินผ่านไปออกห่างจากบริเวณที่มีการใช้งานเครื่องมือไฟฟ้า สิ่งรบกวนอาจทำให้คุณเสียสมาธิได้

2. ความปลอดภัยทางไฟฟ้า

- ก. ปลั๊กไฟของเครื่องต้องเป็นชนิดเดียวกับตัวรับ ห้ามตัดแปลงปลั๊กไม่ว่าด้วยวิธีใด ห้ามใช้ปลั๊กอะแดปเตอร์ใดๆ กับเครื่องมือไฟฟ้าที่ต่อสายดิน (ลงกราวด์) ปลั๊กที่ไม่มีการตัดแปลงและตัวรับชนิดเดียวกันจะช่วยลดความเสี่ยงจากการเกิดไฟฟ้าช็อต
- ข. หลีกเลี่ยงการสัมผัสพื้นผิวที่ต่อสายดินหรือลงกราวด์ เช่น ท่อ หม้อน้ำ เตาหุงต้ม และตู้เย็น มีความเสี่ยงเพิ่มขึ้นที่จะถูกไฟฟ้าช็อตหากร่างกายเป็นสื่อเชื่อมต่อลงดินหรือลงกราวด์
- ค. อย่าให้เครื่องมือไฟฟ้าถูกฝนหรืออยู่ในสภาพที่เปียกชื้น น้ำที่เข้าเครื่องมือไฟฟ้าจะเพิ่มความเสี่ยงในการเกิดไฟฟ้าช็อต
- ง. ห้ามใช้สายไฟผิดวัตถุประสงค์ ห้ามใช้สายไฟเพื่อการหิ้ว ดึง หรือถอดปลั๊กเครื่องมือไฟฟ้า เก็บสายไฟให้ห่างจากความร้อน น้ำมัน ของมีคม

หรือชิ้นส่วนที่เคลื่อนที่ สายไฟที่ชำรุดหรือพันกัน จะทำให้มีความเสี่ยงเพิ่มมากขึ้นที่จะถูกไฟฟ้าช็อตได้

- จ. เมื่อใช้เครื่องมือไฟฟ้าภายนอกอาคาร ให้ใช้สายต่อพ่วงที่เหมาะสมสำหรับการใช้งานภายนอกอาคาร การใช้สายไฟที่เหมาะสมสำหรับการใช้งานนอกอาคารจะช่วยลดความเสี่ยงจากการเกิดไฟฟ้าช็อต
- ฉ. หากไม่สามารถหลีกเลี่ยงการใช้เครื่องมือไฟฟ้าในบริเวณที่ชื้นและได้ ให้ใช้อุปกรณ์ป้องกันไฟฟ้ (RCD) ที่จัดไว้ให้ การใช้ RCD จะเป็นการลดความเสี่ยงจากการถูกไฟฟ้าช็อต

3. ความปลอดภัยส่วนบุคคล

- ก. ตื่นตัวและมีสมาธิกับสิ่งที่คุณกำลังทำ รวมทั้งใช้สามัญสำนึกในขณะที่กำลังใช้งานเครื่องมือไฟฟ้า ห้ามใช้เครื่องมือไฟฟ้าในขณะที่คุณกำลังเหนื่อย หรือได้รับอิทธิพลจากยา แอลกอฮอล์ หรือการรักษายาบางอย่าง การขาดความระมัดระวังในการใช้เครื่องมือไฟฟ้าแม้ชั่วขณะหนึ่งอาจทำให้บาดเจ็บสาหัสได้
- ข. ใช้อุปกรณ์คุ้มครองความปลอดภัยส่วนบุคคลสวมอุปกรณ์ป้องกันดวงตาเสมอ อุปกรณ์ป้องกัน เช่น หน้ากากกันฝุ่น รองเท้านิรภัยกันสั่น หมวกนิรภัย หรืออุปกรณ์ป้องกันเสียงดังที่ใชในสภาวะที่เหมาะสมจะช่วยลดอาการบาดเจ็บทางร่างกาย
- ค. ป้องกันเครื่องเปิดทำงานโดยไม่ตั้งใจ สวิตช์ต้องอยู่ในตำแหน่งปิดก่อนที่จะเสียบปลั๊กของเครื่องเข้ากับแหล่งจ่ายไฟ และ/หรือแบตเตอรี่ หรือก่อนยกหรือหิ้วเครื่องมือ เครื่องยกเครื่องมือไฟฟ้าในขณะที่นิ้วอยู่ที่สวิตช์ หรือใช้เครื่องมือไฟฟ้าที่สวิตช์เปิดอยู่ อาจทำให้เกิดอุบัติเหตุได้
- ง. ถอดกุญแจปรับตั้งหรือประแจออกก่อนเปิดสวิตช์เครื่องมือไฟฟ้า ประแจหรือกุญแจที่เสียบค้างอยู่ในชิ้นส่วนที่หมุนได้ของเครื่องมือไฟฟ้าอาจทำให้เกิดการบาดเจ็บได้
- จ. ห้ามยืนเขย่งเท้าขณะใช้เครื่อง ต้องยืนอย่างมั่นคงและสมดุลเสมอ เพื่อช่วยในการควบคุมเครื่องมือไฟฟ้าได้ดียิ่งขึ้นในสถานการณ์ที่ไม่คาดคิด
- ฉ. แต่งกายให้เหมาะสม ห้ามสวมเสื้อผ้าหลวมหรือใส่เครื่องประดับ รวบผม เลือ่ผ้า และเครื่องมือให้ห่างจากชิ้นส่วนที่กำลังหมุน เลือ่ผ้าที่หลวมหรือยาว รุ่มร่าม เครื่องประดับ หรือผมที่ยาวอาจเข้าไปพันกับชิ้นส่วนที่กำลังหมุน
- ช. หากมีอุปกรณ์สำหรับดูดและเก็บฝุ่น ต้องตรวจสอบให้แน่ใจว่าได้เชื่อมต่อและใช้งานอุปกรณ์นั้นอย่างเหมาะสม การใช้อุปกรณ์เก็บฝุ่นจะช่วยลดอันตรายที่เกี่ยวข้องกับฝุ่นได้
- ซ. อย่ให้ความเคยชินจากการใช้งานทำให้คุณประมาทและละเลยการปฏิบัติตามหลักการเพื่อความปลอดภัย การใช้งานโดยไม่ระวังอาจทำให้เกิดการบาดเจ็บได้ภายในเวลาเพียงไม่กี่วินาที

4. การใช้และการดูแลรักษาเครื่องมือไฟฟ้า

- ก. ห้ามฝืนใช้เครื่องมือไฟฟ้า เลือกใช้เครื่องมือ

- ไฟฟ้าที่ถูกต้องตรงกับลักษณะการใช้งานของคุณ เครื่องมือไฟฟ้าที่ถูกต้องย่อมทำงานได้ดีกว่าและปลอดภัยกว่าเมื่อใช้งานตามพิกัดที่เครื่องมือได้รับการออกแบบมา
- ข. ห้ามใช้เครื่องมือไฟฟ้าถ้าสวิตช์เปิดปิดเครื่องไม่ทำงาน เครื่องมือไฟฟ้าที่ไม่สามารถควบคุมผ่านสวิตช์ได้ ถือว่ามีอันตรายและต้องส่งซ่อม
 - ค. ถอดปลั๊กของเครื่องมือไฟฟ้าออกจากแหล่งจ่ายไฟ และ/หรือถอด แบตเตอรี่ออกจากเครื่องมือไฟฟ้าก่อนทำการปรับแต่ง เปลี่ยนอุปกรณ์เสริมหรือจัดเก็บเครื่องมือไฟฟ้า มาตรการเพื่อความปลอดภัยเชิงป้องกันนี้จะช่วยลดความเสี่ยงในการผลัดเปิดเครื่องให้ทำงานโดยไม่ตั้งใจ
 - ง. เก็บเครื่องมือไฟฟ้าที่ไม่ได้ใช้งานไว้ในที่พ้นมือเด็ก และไม่อนุญาตให้บุคคลที่ไม่คุ้นเคยกับเครื่องมือไฟฟ้าหรือคำแนะนำเหล่านี้เป็นผู้ใช้เครื่องมือ เครื่องมือไฟฟ้าจะเป็นอันตรายหากอยู่ในมือผู้ใช้ที่ไม่มีประสบการณ์
 - จ. บำรุงรักษาเครื่องมือไฟฟ้า ตรวจสอบว่าชิ้นส่วนที่เคลื่อนที่ได้มีการวางไม่ตรงแนวหรือติดขัดหรือไม่ มีชิ้นส่วนที่แตกหัก และสภาพอินไดที่อาจส่งผลกระทบต่อการทำงานของเครื่องมือไฟฟ้าหรือไม่ หากชำรุดเสียหาย ให้นำเครื่องมือไปส่งซ่อมก่อนนำมาใช้ อุบัติเหตุจำนวนมากเกิดจากการดูแลรักษาเครื่องมือไฟฟ้าไม่ดีพอ
 - ฉ. เครื่องมือตัดต้องคมและสะอาดอยู่เสมอ เครื่องมือตัดที่ได้รับการดูแลรักษาอย่างถูกต้องและมีขอบตัดคม จะมีปัญหาติดขัดน้อย และควบคุมได้ง่ายกว่า
 - ช. ใช้เครื่องมือไฟฟ้า อุปกรณ์เสริม และดอกสว่านของเครื่องมือ ฯลฯ ตามข้อปฏิบัติเหล่านี้ โดยพิจารณาถึงสภาพการทำงานและงานที่ทำเป็นสำคัญ การใช้เครื่องมือไฟฟ้าทำงานอื่นนอกเหนือจากที่กำหนดไว้อาจทำให้เกิดอันตรายได้
 - ซ. หมั่นดูแลให้มีจับและพื้นผิวที่จับนั้นแห้ง สะอาด ปราศจากน้ำมันและจาระบี มีจับและผิวสัมผัสที่ลื่นอาจทำให้เกิดการใช้งานที่ไม่ปลอดภัยและทำให้ไม่สามารถควบคุมเครื่องมือในสถานการณ์ได้เช่นนี้ได้อย่างถูกต้อง
5. การใช้และการดูแลรักษาแบตเตอรี่
 - ก. ชาร์จแบตเตอรี่ด้วยเครื่องชาร์จที่ผู้ผลิตแนะนำเท่านั้น เครื่องชาร์จที่เหมาะสมกับแบตเตอรี่แบบหนึ่งอาจทำให้เกิดไฟไหม้ได้ถ้านำมาใช้กับแบตเตอรี่อีกแบบหนึ่ง
 - ข. ใช้เครื่องมือไฟฟ้าเฉพาะกับก้อนแบตเตอรี่ที่ออกแบบมาเป็นพิเศษเท่านั้น การใช้แบตเตอรี่แบบอื่นอาจทำให้เกิดการบาดเจ็บหรือเกิดไฟไหม้ได้
 - ค. เมื่อไม่ได้ใช้ก้อนแบตเตอรี่ ให้เก็บออกห่างจากวัตถุอื่นๆ ที่เป็นโลหะ เช่น คลิปหนีบกระดาษ เหรียญ กุญแจ เข็ม สกรูหรือวัตถุขนาดเล็กอื่นๆ ที่ทำจากโลหะที่อาจทำให้เกิดการเชื่อมต่อกับขั้วหนึ่งไปอีกขั้วหนึ่ง การส่งตัววงจรเวกซ์แบตเตอรี่อาจทำให้เกิดรอยไหม้หรือไฟไหม้ได้

- ง. เมื่ออยู่ภายใต้สภาวะที่ไม่เหมาะสมอาจมีของเหลวไหลออกมาจากแบตเตอรี่ ให้หลีกเลี่ยงการสัมผัสกับการตัดแปลงอาจทำให้เกิดเหตุการณ์ไม่ตั้งใจ ให้ล้างออกด้วยน้ำปริมาณมาก หากของเหลวกระเด็นเข้าตา ควรรีบไปพบแพทย์ของเหลวที่ออกมาจากแบตเตอรี่อาจทำให้เกิดอาการระคายเคืองหรือรอยไหม้ได้
- จ. ห้ามใช้แบตเตอรี่หรือเครื่องมือที่มีการชำรุดเสียหายหรือได้รับการตัดแปลง แบตเตอรี่ที่ชำรุดเสียหายได้รับการตัดแปลง อาจทำให้เกิดเหตุการณ์ไม่คาดคิด เช่น ไฟไหม้, ระเบิดหรือความเสี่ยงอันก่อให้เกิดการบาดเจ็บได้
- ฉ. อย่าให้แบตเตอรี่หรือเครื่องมือถูกไฟไหม้หรืออยู่ในที่ที่มีอุณหภูมิสูงเกินไป หากแบตเตอรี่ถูกไฟไหม้หรืออยู่ในที่ที่มีอุณหภูมิสูงเกิน 265 °F อาจทำให้เกิดการระเบิดได้
- ช. ปฏิบัติตามคำแนะนำการชาร์จทุกขั้นตอนและไม่ชาร์จแบตเตอรี่หรือเครื่องมือในอุณหภูมิที่เกินจากที่กำหนดไว้ในคำแนะนำ การชาร์จที่ไม่ถูกต้องหรือในอุณหภูมิที่นอกเหนือจากที่กำหนดไว้อาจทำให้แบตเตอรี่เสียหายและเสี่ยงต่อการเกิดไฟไหม้ได้

6. การบริการ

- ก. ให้ช่างซ่อมที่มีความเชี่ยวชาญเป็นผู้ซ่อมเครื่องมือ และใช้อะไหล่แท้เท่านั้น ซึ่งจะช่วยให้มั่นใจได้ว่าเครื่องมือไฟฟ้ายังมีความปลอดภัยอยู่
- ข. ห้ามซ่อมแบตเตอรี่ที่ชำรุด ควรให้ผู้ผลิตหรือผู้บริกรที่ผ่านการรับรองเป็นผู้ซ่อมแบตเตอรี่เท่านั้น

คำเตือนเพื่อความปลอดภัยเพิ่มเติมสำหรับการใช้เครื่องมือไฟฟ้า



คำเตือน! คำเตือนเพื่อความปลอดภัยเพิ่มเติมสำหรับเลื่อยจลไฟฟ้า

- ◆ จับเครื่องมือไฟฟ้าที่พื้นผิวส่วนที่ใช้จับซึ่งมีฉนวนป้องกัน เมื่อใช้งานเครื่องและอุปกรณ์เสริมที่ใช้กับงานตัดอาจสัมผัสกับสายไฟที่ซ่อนอยู่ อุปกรณ์เสริมที่ใช้กับงานตัดที่สัมผัสกับสายไฟ "ที่มีไฟฟ้า" อาจทำให้ส่วนของโลหะที่ถูกสัมผัส "มีไฟฟ้า" และช็อตผู้ใช้เครื่องได้
- ◆ ใช้ตัวยึดจับชิ้นงานหรือวิธีอื่นๆ ที่ได้ผลเพื่อยึดและหนุนชิ้นงานบนแท่นที่มั่นคง การใช้มือจับหรือใช้ชิ้นงานพิงกับลำตัวจะไม่มั่นคงและอาจทำให้สูญเสียการควบคุมได้
- ◆ เครื่องมือนี้ไม่ได้มีไว้เพื่อการใช้งานโดยบุคคล (ซึ่งรวมถึงผู้เยาว์) ที่มีความบกพร่องทางร่างกายทางการรับรู้สัมผัส หรือทางจิตประสาท หรือขาดประสบการณ์และความรู้ เว้นเสียแต่จะได้รับการควบคุมดูแลหรือคำแนะนำการใช้เครื่องมือโดยผู้รับผิดชอบความปลอดภัยของบุคคลเหล่านั้น เด็กควรได้รับการควบคุมดูแลเพื่อให้เห็นใจว่าเด็กจะไม่เล่นเครื่องมือ

- ♦ วัตถุประสงค์ในการใช้งานได้อธิบายไว้ในคู่มือแนะนำการใช้งานฉบับนี้ การใช้งานอุปกรณ์เสริมหรืออุปกรณ์ต่อพ่วง หรือการใช้งานอื่นใดกับเครื่องมือที่นอกเหนือจากที่ได้นแนะนำไว้ในคู่มือการใช้งานนี้ อาจทำให้เสี่ยงต่อการบาดเจ็บ และ/หรือความเสียหายต่อทรัพย์สินได้
- ♦ **มือต้องอยู่ห่างจากบริเวณที่ตัดตลอดเวลา** ห้ามสอดมือเข้าไปใต้ชิ้นงานไม่ว่าจะด้วยเหตุผลใดๆ ห้ามสอดนิ้วมือหรือหัวแม่มือเข้าไปในช่องว่างระหว่างใบเลื่อยที่กำลังเคลื่อนที่กับตัวจับใบเลื่อย ห้ามปรับเลื่อยโดยการจับที่ฐาน
- ♦ **ใบเลื่อยต้องคมอยู่เสมอ** ใบเลื่อยที่ทื่อหรือเสียหายอาจทำให้เลื่อยเปลี่ยนทิศทางหรือติดขัดเมื่อได้รับแรงดัน ควรใช้ชนิดใบเลื่อยที่เหมาะสมกับวัสดุของชิ้นงาน และลักษณะการตัดเสมอ
- ♦ **เมื่อตัดท่อน้ำหรือท่อน้ำสายไฟ ต้องแน่ใจว่าท่อน้ำไม่มีน้ำ สายไฟ หรือวัสดุอื่นอยู่ภายใน**
- ♦ **อย่าสัมผัสชิ้นงานหรือใบเลื่อยทันทีหลังจากการใช้เครื่องมือ** เนื่องจากอาจมีความร้อนสูงมาก
- ♦ **ต้องระงับการเกิดอันตรายที่อาจเกิดขึ้น** ก่อนจะตัดเข้าไปในผนัง พื้น หรือเพดาน ให้ตรวจหาตำแหน่งของสายไฟและท่อน้ำให้แน่ชัดเสียก่อน
- ♦ **ใบเลื่อยจะยังคงเคลื่อนที่ต่อไปหลังจากปล่อยสวิตช์** ควรปิดสวิตช์เครื่องมือเสมอ และรอให้ใบเลื่อยหยุดสนิทก่อนวางเครื่องมือลง

คำเตือน! การสัมผัสหรือการสูดดมฝุ่นละอองที่เกิดขึ้นจากการตัดอาจเป็นอันตรายต่อสุขภาพของผู้ใช้เครื่องและผู้ที่ยืนผ่านไปมาได้ ให้สวมหน้ากากกันฝุ่นที่ออกแบบมาเป็นพิเศษสำหรับการป้องกันฝุ่นและควัน และต้องแน่ใจว่าผู้ที่อยู่ภายในพื้นที่ทำงานหรือกำลังเข้าไปในพื้นที่ทำงานมีการป้องกันด้วยเช่นกัน

- ♦ วัตถุประสงค์ในการใช้งานได้อธิบายไว้ในคู่มือแนะนำการใช้งานฉบับนี้
- ♦ การใช้งานอุปกรณ์เสริมหรืออุปกรณ์ต่อพ่วง หรือการใช้งานอื่นใดกับเครื่องมือที่นอกเหนือจากที่ได้นแนะนำไว้ในคู่มือการใช้งานนี้ อาจทำให้เสี่ยงต่อการบาดเจ็บ และ/หรือความเสียหายต่อทรัพย์สินได้

ความปลอดภัยของบุคคลอื่น

- ♦ **ไม่อนุญาตให้เด็ก** บุคคลที่มีความบกพร่องทางร่างกายทางการรับความรู้สึก หรือทางจิตประสาท หรือขาดประสบการณ์และความรู้สามารถใช้เครื่องมือนี้ได้ กฎระเบียบในแต่ละประเทศอาจจำกัดอายุของผู้ใช้เครื่อง
- ♦ ห้ามใช้งานเครื่องใกล้บุคคลอื่นโดยเฉพาะเด็กเล็ก หรือสัตว์เลี้ยง

ความเสี่ยงอื่นๆ ที่ยังมีอยู่

ความเสี่ยงอื่นๆ ที่ไม่ได้ระบุในคำเตือนเพื่อความปลอดภัยนี้ อาจเกิดขึ้นได้เมื่อใช้เครื่องมือ ความเสี่ยงเหล่านี้อาจเกิดขึ้นจากการใช้งานอย่างไม่ถูกต้อง การใช้งานเป็นเวลานาน เป็นต้น

แม้ว่าจะปฏิบัติตามข้อกำหนดด้านความปลอดภัยที่เกี่ยวข้อง และใช้อุปกรณ์นิรภัย แต่ความเสี่ยงอื่นๆ

ที่ยังมีอยู่บางอย่างก็ไม่สามารถหลีกเลี่ยงได้ ความเสี่ยงเหล่านี้ได้แก่:

- ♦ การบาดเจ็บที่เกิดจากการสัมผัสชิ้นส่วนที่หมุน/เคลื่อนที่
- ♦ การบาดเจ็บที่เกิดขึ้นขณะเปลี่ยนชิ้นส่วน ใบเลื่อยหรืออุปกรณ์เสริม
- ♦ การบาดเจ็บที่เกิดจากการใช้เครื่องมือเป็นเวลานาน เมื่อใช้เครื่องมือเป็นระยะเวลาสั้น ต้องแน่ใจว่าคุณได้หยุดพักเป็นระยะ
- ♦ ความบกพร่องในการได้ยินเสียง
- ♦ อันตรายต่อสุขภาพที่เกิดจากการสูดดมฝุ่นจากการใช้เครื่องมือ (ตัวอย่างเช่น การทำงานกับไม้ โดยเฉพาะไม้โอ๊ค ไม้บีช และไม้ MDF)

สัญลักษณ์บนเครื่องมือ

สัญลักษณ์และรหัสวันที่ต่อไปนี้จะปรากฏบนเครื่องมือ:



คำเตือน! เพื่อลดความเสี่ยงต่อการบาดเจ็บ ผู้ใช้ต้องอ่านคู่มือการใช้งานเล่มนี้

ข้อปฏิบัติเพื่อความปลอดภัยเพิ่มเติมสำหรับแบตเตอรี่

แบตเตอรี่

- ♦ ห้ามพยายามแกะตัวแบตเตอรี่ในทุกกรณี
- ♦ อย่าให้แบตเตอรี่สัมผัสน้ำ
- ♦ ห้ามเก็บแบตเตอรี่ในสถานที่ที่อุณหภูมิอาจสูงเกิน 40 °C
- ♦ ชาร์จแบตเตอรี่ที่อุณหภูมิห้องระหว่าง 10 °C ถึง 40 °C เท่านั้น
- ♦ เมื่อจะทิ้งแบตเตอรี่ ให้ทำตามคำแนะนำในส่วน "การปกป้องสิ่งแวดล้อม"



อย่าพยายามชาร์จแบตเตอรี่ที่ชำรุดเสียหาย



เครื่องมือมีไว้สำหรับการใช้ภายในอาคารเท่านั้น

- ♦ หากสายไฟของตัวเครื่องชำรุดเสียหาย ต้องได้รับการเปลี่ยนโดยผู้ผลิตหรือศูนย์บริการของ BLACK+DECKER ที่ได้รับอนุญาตเพื่อหลีกเลี่ยงอันตรายที่อาจเกิดขึ้น

ส่วนประกอบสำคัญ

เครื่องมือนี้มีส่วนประกอบสำคัญบางอย่างหรือทั้งหมดดังต่อไปนี้

1. สวิตช์ปรับระดับความเร็ว
2. ปุ่มล็อก
3. ก้านล็อกใบเลื่อย
4. ตัวจับใบเลื่อย

5. ลูกกลิ้งรองรับใบเลื่อย
6. ฐานรอง
7. ใบเลื่อย
8. แบตเตอรี่

การประกอบ

คำเตือน! ก่อนการประกอบ ต้องถอดแบตเตอรี่ออกจากเครื่องมือ และตรวจดูว่าใบเลื่อยหยุดนิ่งแล้ว ใบเลื่อยที่ใช้งานอาจยังร้อนอยู่

การชาร์จแบตเตอรี่ (รูป A)

แบตเตอรี่ต้องการการชาร์จไฟก่อนการใช้งานครั้งแรก และทุกครั้งเมื่อแบตเตอรี่ไม่สามารถจ่ายพลังงานได้เพียงพอสำหรับงานที่เคยทำได้โดยง่าย แบตเตอรี่อาจอุ่นขึ้นระหว่างการชาร์จ ซึ่งถือเป็นเรื่องปกติและไม่ใช่อะไรที่น่ากังวล

คำเตือน! ห้ามชาร์จแบตเตอรี่ในอุณหภูมิห้องที่ต่ำกว่า 10 °C หรือสูงกว่า 40 °C อุณหภูมิการชาร์จที่แนะนำ: ประมาณ 24 °C

หมายเหตุ: เครื่องชาร์จจะไม่ชาร์จแบตเตอรี่หากอุณหภูมิของแบตเตอรี่ต่ำกว่าประมาณ 10 °C หรือสูงกว่า 40 °C ให้ทิ้งแบตเตอรี่ไว้ในเครื่องชาร์จ แล้วเครื่องชาร์จจะเริ่มชาร์จไฟเองโดยอัตโนมัติเมื่ออุณหภูมิของแบตเตอรี่อุ่นขึ้นหรือเย็นลง

- ◆ หากต้องการชาร์จแบตเตอรี่ (8) เสียบสายชาร์จ USB (9) (ไม่มีมาให้)
- ◆ ต่อสายชาร์จ USB เข้ากับแหล่งจ่ายไฟ
- ◆ ไฟแสดงสถานะการชาร์จจะกะพริบ การชาร์จเสร็จสิ้นเมื่อไฟแสดงการชาร์จเปลี่ยนเป็นติดสว่างต่อเนื่อง
- ◆ การต่อแท่นชาร์จกับแบตเตอรี่นั้นสามารถปล่อยให้เชื่อมต่อได้ไม่จำกัดเวลา
- ◆ ชาร์จแบตเตอรี่ที่ไม่มีประจุภายใน 1 สัปดาห์ อายุการใช้งานแบตเตอรี่จะลดลงอย่างรวดเร็วหากเก็บรักษาไว้ในสภาพไม่มีประจุ

การติดตั้งและการถอดแบตเตอรี่ (รูป B)

- ◆ เมื่อจะประกอบแบตเตอรี่ (8) ให้จัดตำแหน่งแบตเตอรี่ให้ตรงกับเบ้ารับของเครื่องมือ จากนั้นเลื่อนแบตเตอรี่เข้าไปในเบ้ารับจนกระทั่งแบตเตอรี่ล็อกเข้าที่
- ◆ เมื่อจะถอดแบตเตอรี่ ให้กดปุ่มปลดล็อก (10) พร้อมกับดึงแบตเตอรี่ออกจากเบ้า

การติดตั้งและการถอดใบเลื่อย (รูป C)

- ◆ จับใบเลื่อย (7) โดยให้พื้นเลื่อยหันไปข้างหน้า
- ◆ ยกก้านล็อกใบเลื่อย (3) ขึ้นบน
- ◆ สอดก้านของใบเลื่อยเข้าไปให้สุดในตัวจับใบเลื่อย (4) ให้มากที่สุดเท่าที่จะทำได้
- ◆ ปลดก้านล็อก
- ◆ หากต้องการถอดใบเลื่อย (7) ยกก้านล็อกใบเลื่อย (3) ขึ้นบน และดึงใบเลื่อยออกมา

การเปิดและปิดสวิตช์ (ภาพ D)

- ◆ หากต้องการเปิดสวิตช์ ให้เลื่อนสวิตช์ล็อก (2) ไปทางด้านซ้าย จากนั้นดึงสวิตช์เปิด/ปิด (1) ค้างไว้
- ◆ หากต้องการปิดสวิตช์ ให้ปล่อยสวิตช์เปิด/ปิด (1) **คำเตือน!** ห้ามเปิดหรือปิดสวิตช์เครื่องมือในขณะที่มีภาระโหลด

คำเตือน! เลื่อนสวิตช์ล็อก (2) ให้อยู่ด้านขวาในตำแหน่งล็อกเสมอเมื่อไม่ใช้งานเครื่องมือ

การจัดเก็บใบเลื่อยสำรอง (รูป E)

- ◆ เก็บใบเลื่อยสำรอง (7) ไว้ในช่องเก็บเล็ก (12) บนตัวเครื่องของเครื่องมือ

การเลื่อย

- ◆ จับเครื่องมือด้วยมือทั้งสองข้างเสมอ
- ◆ ปล่อยให้ใบเลื่อยหมุนอย่างอิสระสองถึงสามวินาที ก่อนเริ่มต้นการตัด
- ◆ ออกแรงกดไปยังเครื่องมือเพียงเบาๆ ในขณะที่ทำการตัด
- ◆ หากเป็นไปได้ ให้ทำงานโดยให้ฐานรอง (6) กดเข้ากับชิ้นงาน จะทำให้การควบคุมเครื่องมือดีขึ้นและลดการสั่นสะเทือนของเครื่อง รวมถึงป้องกันไม่ให้ใบเลื่อยได้รับความเสียหาย

การเลื่อยแผ่นลามิเนต

ขณะที่ใบเลื่อยตัดในจังหวะชักขึ้น อาจเกิดการแตกมันบนพื้นผิวที่ใกล้กับแผ่นฐานเลื่อย

- ◆ ใช้ใบเลื่อยแบบฟันละเอียด
- ◆ เลื่อยจากพื้นผิวด้านหลังของชิ้นงาน
- ◆ ถ้าต้องการให้มีการแตกมันน้อยที่สุด ให้ใช้เศษไม้หรือไม้อัดประคบทั้งสองด้านของชิ้นงานเพื่อลดการแตกและเลื่อยผ่านไม้ที่ประกบกันไว้

การเลื่อยโลหะ

โปรดทราบว่า การเลื่อยโลหะจะใช้เวลามากกว่าการเลื่อยไม้

- ◆ ใช้ใบเลื่อยที่เหมาะสมสำหรับการเลื่อยโลหะ ใช้ใบเลื่อยฟันละเอียดสำหรับโลหะเหล็กและใบเลื่อยฟันหยาบสำหรับโลหะที่ไม่ใช่เหล็ก
- ◆ เมื่อตัดแผ่นโลหะที่เป็นชิ้นบาง ให้ใช้เศษชิ้นส่วนไม้ประกบที่พื้นผิวด้านหลังของชิ้นงานและตัดผ่านชิ้นส่วนที่ประกบกันไว้
- ◆ ทาน้ำมันให้ทั่วแนวที่ต้องการตัด

อุปกรณ์เสริม

สมรรถนะของเครื่องมือของคุณขึ้นอยู่กับอุปกรณ์เสริมที่ใช้ อุปกรณ์เสริมของ BLACK+DECKER ได้รับการออกแบบทางวิศวกรรมให้มีมาตรฐานคุณภาพสูง และเพิ่มสมรรถนะของเครื่องมือของคุณ เมื่อใช้อุปกรณ์เสริมเหล่านี้ คุณจะสามารถใช้เครื่องมือของคุณได้อย่างมีประสิทธิภาพสูงสุด เครื่องมือนี้เหมาะสำหรับใบเลื่อยทั้งแบบ U-shank และ T-shank

ข้อมูลทางเทคนิค

BDCJS12U		
แรงดันไฟฟ้า	โวลต์ _{DC}	12
ความเร็วขณะไม่มีโหลด	รอบ/นาที	0 - 2800 SPM
ความยาวช่วงชัก	มม.	16
ความลึกสูงสุดของการตัด		
ไม้	มม.	52
เหล็ก	มม.	5
อะลูมิเนียม	มม.	17
น้ำหนัก	กก.	1.19 (1.44 เมื่อรวมแบตเตอรี่)

BDCB12U		
แรงดันไฟฟ้า	โวลต์ _{DC}	12
ความเร็วขณะไม่มีโหลด	แอมป์-ชั่วโมง	1.5
ความยาวช่วงชัก		Li-Ion

การบำรุงรักษา

เครื่องมือของ BLACK+DECKER ออกแบบมาให้สามารถใช้งานได้ยาวนานต่อเนื่องโดยที่มีการบำรุงรักษาอย่างน้อยที่สุด การทำงานที่สร้างความพึงพอใจอย่างต่อเนื่องขึ้นอยู่กับ การดูแลรักษาที่เหมาะสมและการทำความสะอาดอย่างสม่ำเสมอ เครื่องชาร์จไม่ต้องการการดูแลพิเศษอื่นใดนอกเหนือจากการทำความสะอาดเป็นประจำ เครื่องชาร์จไม่ต้องการการดูแลพิเศษอื่นใดนอกเหนือจากการทำความสะอาดเป็นประจำ

คำเตือน! ก่อนดำเนินการบำรุงรักษาเครื่องมือ ให้ถอดแบตเตอรี่ออกจากเครื่องมือก่อน ถอดปลั๊กเครื่องชาร์จออกก่อนจะทำความสะอาด

- ทำความสะอาดช่องระบายอากาศในเครื่องมือและเครื่องชาร์จของคุณเป็นประจำโดยใช้แปรงขนอ่อนหรือผ้าแห้ง
- ทำความสะอาดตัวมอเตอร์เป็นประจำโดยใช้ผ้าชุบน้ำหมาดๆ ห้ามใช้น้ำยาทำความสะอาดที่มีฤทธิ์กัดกร่อนหรือมีสารผสมของตัวทำละลาย
- เปิดตัวจับแก๊พวงออกมาเคาะเป็นประจำเพื่อกำจัดฝุ่นที่ติดอยู่ภายใน

การปกป้องสิ่งแวดล้อม



การเก็บรวบรวมแบบคัดแยก ห้ามทิ้งผลิตภัณฑ์นี้รวมกับขยะในครัวเรือนปกติ

หรือเครื่องมือนี้ไม่เป็นประโยชน์สำหรับคุณอีกต่อไป อย่าทิ้งผลิตภัณฑ์นี้รวมกับขยะในครัวเรือน จัดการกับผลิตภัณฑ์นี้เพื่อให้พร้อมสำหรับการเก็บรวบรวมแบบคัดแยก



การเก็บรวบรวมแบบคัดแยกสำหรับบรรจุภัณฑ์และผลิตภัณฑ์ที่ใช้แล้วทำให้สามารถรีไซเคิลวัสดุและนำมาใช้งานอีกครั้ง

การนำวัสดุรีไซเคิลมาใช้อีกครั้งจะช่วยป้องกันมลพิษต่อสิ่งแวดล้อมและลดความต้องการวัตถุดิบ

ข้อมูลการบริการ

BLACK+DECKER ให้บริการเครือข่ายศูนย์บริการของบริษัทเองและศูนย์ฯ ที่ได้รับการรับรองเต็มรูปแบบทั่วทั้งทวีปเอเชีย ศูนย์บริการ BLACK+DECKER ทุกแห่งมีพนักงานที่ผ่านการฝึกอบรมเพื่อให้บริการผลิตภัณฑ์ได้อย่างมีประสิทธิภาพและเชื่อถือได้ ไม่ว่าคุณจะต้องการคำแนะนำด้านเทคนิค การซ่อมแซม หรืออะไหล่จากโรงงาน โปรดติดต่อศูนย์ BLACK+DECKER ใกล้บ้าน

หมายเหตุ

- เนื่องจาก BLACK+DECKER มินโยบายพัฒนาปรับปรุงผลิตภัณฑ์อย่างต่อเนื่อง ดังนั้น เราจึงขอสงวนสิทธิ์ในการเปลี่ยนแปลงข้อมูลจำเพาะของผลิตภัณฑ์โดยไม่แจ้งให้ทราบล่วงหน้า
- อุปกรณ์มาตรฐานและอุปกรณ์เสริมอาจแตกต่างกันในแต่ละประเทศ
- ข้อมูลจำเพาะของผลิตภัณฑ์อาจแตกต่างกันในแต่ละประเทศ
- ตัวเลขผลิตภัณฑ์อาจมีจำหน่ายไม่ครบทุกรายการในบางประเทศ

โปรดสอบถามรุ่นผลิตภัณฑ์ที่มีจำหน่ายจากตัวแทนจำหน่ายของ BLACK+DECKER ในประเทศของคุณ

แบตเตอรี่



ไม่มีชิ้นส่วนใดที่ผู้ใช้สามารถซ่อมได้ด้วยมือใน

- เมื่อผลิตภัณฑ์ของคุณหมดอายุการใช้งาน โปรดส่งคืนเครื่องมือทั้งชุดให้แก่ตัวแทนศูนย์บริการหรือศูนย์รีไซเคิลในท้องถิ่นเพื่อนำแบตเตอรี่ไปรีไซเคิลอย่าทิ้งผลิตภัณฑ์นี้รวมกับขยะในครัวเรือน

