

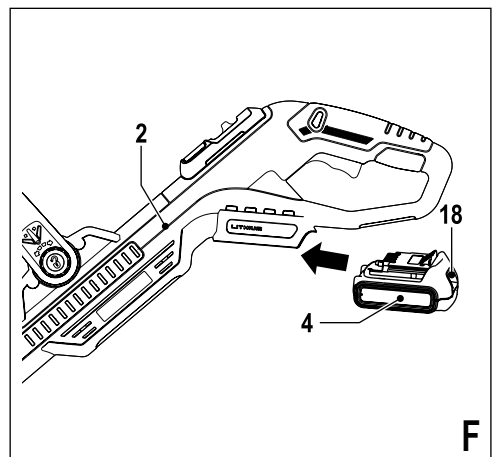
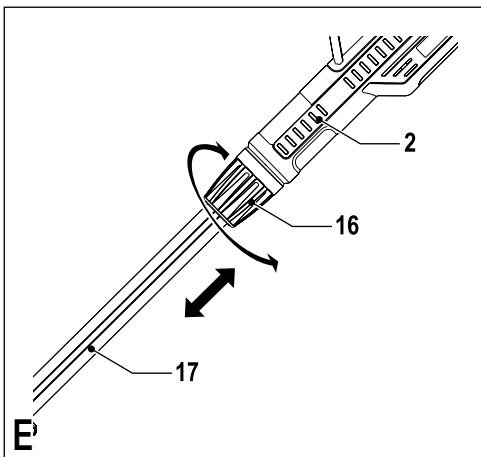
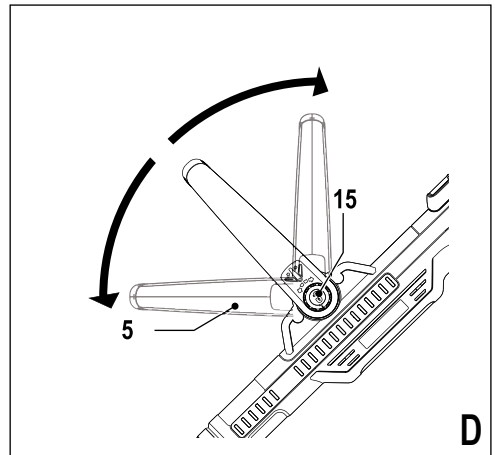
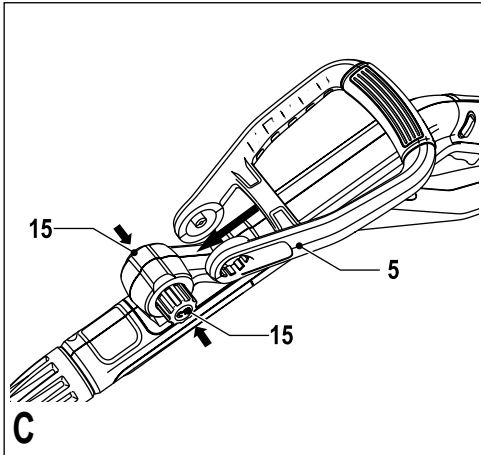
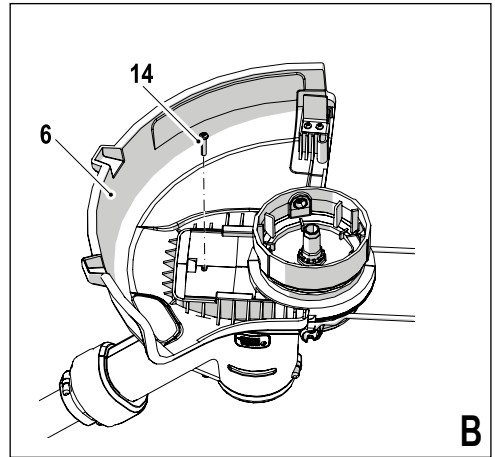
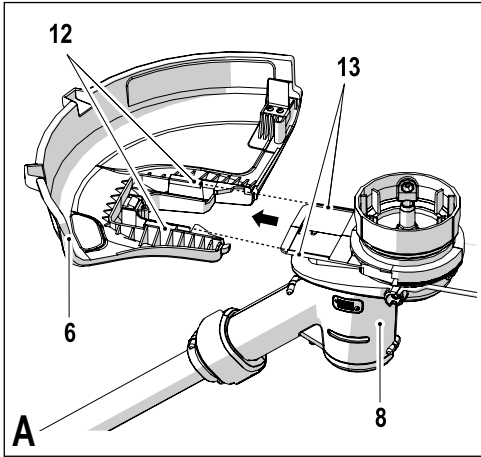
GCM18
STC1820

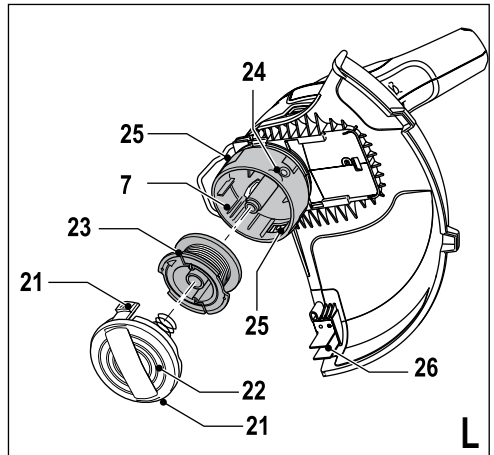
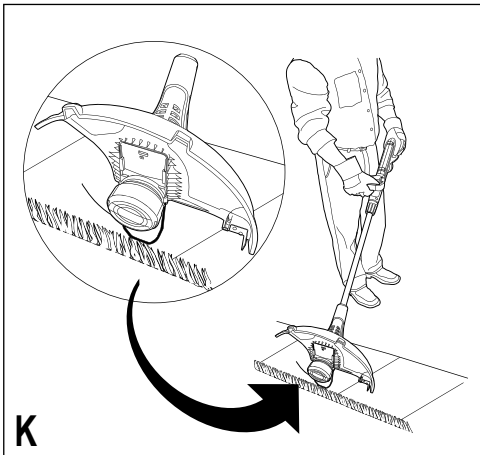
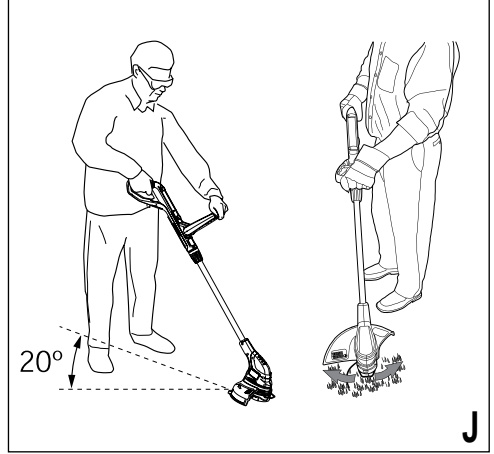
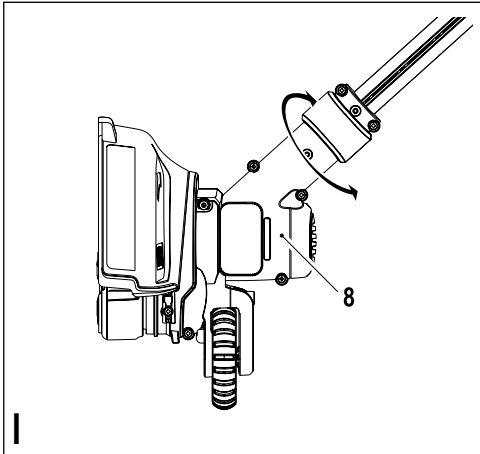
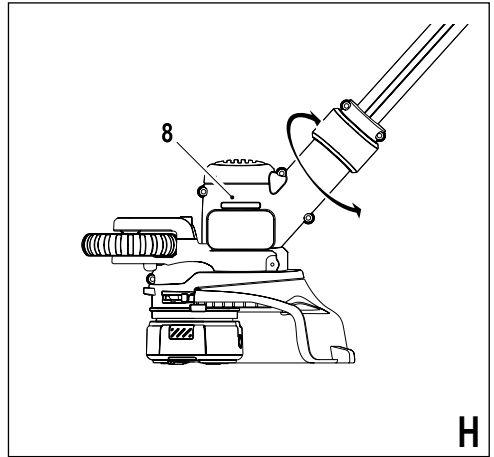
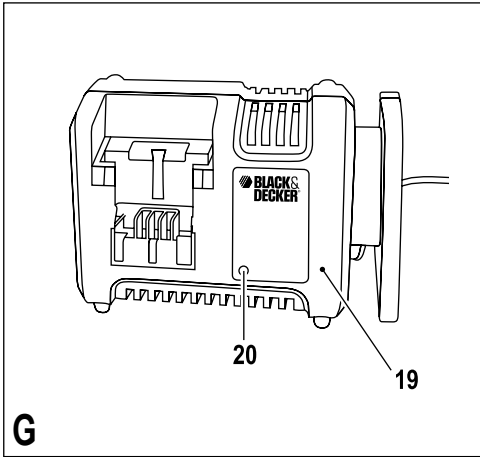
English (original instructions)

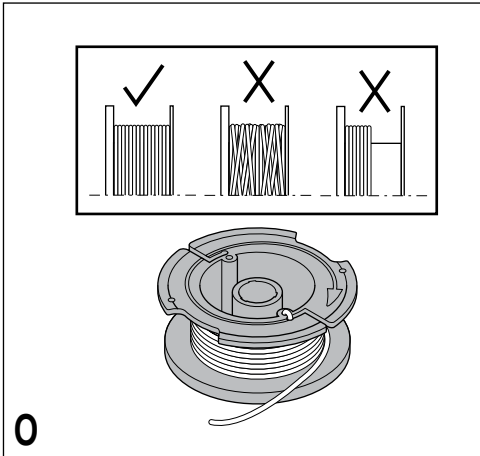
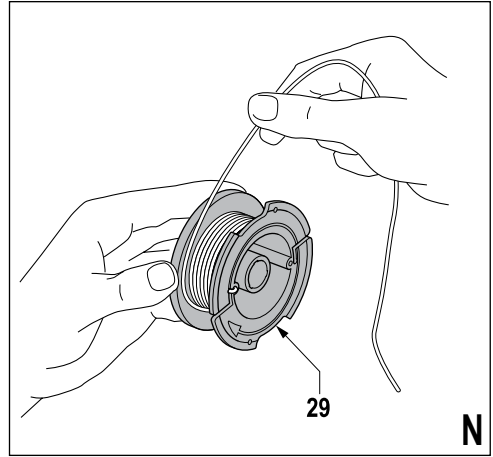
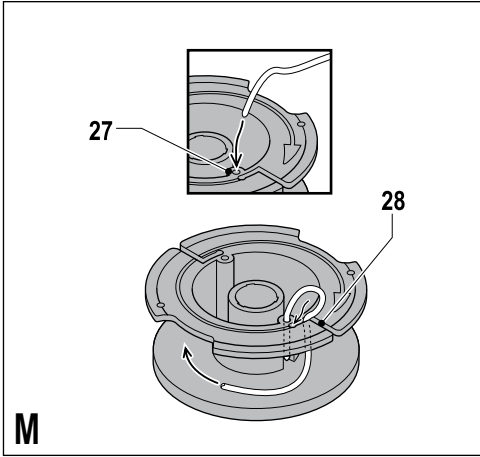
繁體中文

5

11







18V NYLON TRIMMER WAGON PLUS GCM18

Technical data

		GCM18 H 1	STC1820 H 1
Input Voltage	V _{ac}	18	18
No-Load Speed	min ⁻¹	6200	5500-7400
Weight	kg	2.6	2.6

		BL1318	BL1518
Battery			
Voltage	V _{ac}	18	18
Capacity	Ah	1.3	1.5
Type		Li-Ion	Li-Ion

		905902** (typ. 1)
Charger		
Input Voltage	V _{ac}	100 - 240
Output Voltage	V _{ac}	8 - 20
Current	mA	1500

Intended use

Your Black & Decker trimmer has been designed for trimming and finishing lawn edges and to cut grass in confined spaces. This appliance is intended for consumer use only.

Safety instructions

Warning! When using mains-powered appliances, basic safety precautions, including the following, should always be followed to reduce the risk of fire, electric shock, personal injury and material damage.

Warning! When using the machine the safety rules must be followed. For your own safety and bystanders please read these instructions before operating the machine. Please keep the instructions safe for later use.

- ◆ Read all of this manual carefully before operating the appliance.
- ◆ The intended use is described in this manual. The use of any accessory or attachment or the performance of any operation with this appliance other than those recommended in this instruction manual may present a risk of personal injury.
- ◆ Retain this manual for future reference.

Using your appliance

Always take care when using the appliance.

- ◆ Always use safety glasses or goggles.
- ◆ Never allow children or people unfamiliar with the instructions to use the appliance.
- ◆ Do not allow children or animals to come near the work area or to touch the appliance or power supply cord.
- ◆ Close supervision is necessary when the appliance is used near children.
- ◆ This appliance is not intended for use by young or infirm persons without supervision.
- ◆ This appliance is not to be used as a toy.
- ◆ Only use the appliance in daylight or good artificial light.
- ◆ Use in a dry location only. Do not allow the appliance to become wet.
- ◆ Do not immerse the appliance in water.
- ◆ Do not open the body casing. There are not user-serviceable parts inside.
- ◆ Do not operate the appliance in explosive atmospheres, such as in the presence of flammable liquids, gases or dust.
- ◆ To reduce the risk of damage to plugs or cords, never pull the cable to remove the plug from a socket.

Safety of others

- ◆ This appliance is not intended for use by persons (including children) with reduced physical, sensory or mental capabilities, or lack of experience and knowledge, unless they have been given supervision or instruction concerning use of the appliance by a person responsible for their safety.
- ◆ Children must be supervised to ensure that they do not play with the appliance.

Residual risks.

Additional residual risks may arise when using the tool which may not be included in the enclosed safety warnings. These risks can arise from misuse, prolonged use etc.

Even with the application of the relevant safety regulations and the implementation of safety devices, certain residual risks can not be avoided. These include:

- ◆ Injuries caused by touching any rotating/moving parts.
- ◆ Injuries caused when changing any parts, blades or accessories.
- ◆ Injuries caused by prolonged use of a tool. When using any tool for prolonged periods ensure you take regular breaks.
- ◆ Impairment of hearing.
- ◆ Health hazards caused by breathing dust developed when using your tool (example:- working with wood, especially oak, beech and MDF.)

After use

- ◆ When not in use, the appliance should be stored in a dry, well ventilated place out of reach of children.
- ◆ Children should not have access to stored appliances.

- ◆ When the appliance is stored or transported in a vehicle it should be placed in the boot or restrained to prevent movement following sudden changes in speed or direction.

Inspection and repairs

- ◆ Before use, check the appliance for damaged or defective parts. Check for breakage of parts and any other conditions that may affect its operation.
- ◆ Do not use the appliance if any part is damaged or defective.
- ◆ Have any damaged or defective parts repaired or replaced by an authorised repair agent.
- ◆ Never attempt to remove or replace any parts other than those specified in this manual.

Additional safety instructions for grass trimmers

Warning! Cutting elements continue to rotate after the motor is switched off.

- ◆ Be familiar with the controls and the proper use of the appliance.
- ◆ Before use, check the power supply cord and extension cord for signs of damage, ageing and wear. If a cord becomes damaged during use, disconnect the cord from the mains supply immediately. **DO NOT TOUCH THE CORD BEFORE DISCONNECTING THE SUPPLY.**
- ◆ Do not use the appliance if the cords are damaged or worn.
- ◆ Wear stout shoes or boots to protect your feet.
- ◆ Wear long trousers to protect your legs.
- ◆ Before using the appliance, check that your cutting path is free from sticks, stones, wire and any other obstacles.
- ◆ Only use the appliance in the upright position, with the cutting line near the ground. Never switch the appliance on in any other position.
- ◆ Move slowly when using the appliance. Be aware that freshly cut grass is damp and slippery.
- ◆ Do not work on steep slopes. Work across the face of slopes, not up and down.
- ◆ Never cross gravel paths or roads while the appliance is running.
- ◆ Never touch the cutting line while the appliance is running.
- ◆ Do not put the appliance down until the cutting line has come to a complete standstill.
- ◆ Use only the appropriate type of cutting line. Never use metal cutting line or fishing line.
- ◆ Be careful not to touch the line trimming blade.
- ◆ Take care to keep the mains cable away from the cutting line. Always be aware of the position of the cable.
- ◆ Keep hands and feet away from the cutting line at all times, especially when switching on the motor.

- ◆ Before using the appliance and after any impact, check for signs of wear or damage and repair as necessary.
- ◆ Never operate the appliance with damaged guards or without guards in place.
- ◆ Take care against injury from any device fitted for trimming the filament line length. After extending new cutter line always return the machine to its normal operating position before switching on.
- ◆ Always ensure that the ventilation slots are kept clear of debris.
- ◆ Do not use the lawn trimmer (edge trimmer), if the cords are damaged or worn.
- ◆ Keep extension cords away from cutting elements.

Additional safety instructions for batteries and chargers

Batteries

- ◆ Never attempt to open for any reason.
- ◆ Do not expose the battery to water.
- ◆ Do not store in locations where the temperature may exceed 40 °C.
- ◆ Charge only at ambient temperatures between 10 °C and 40 °C.
- ◆ Charge only using the charger provided with the tool.
- ◆ When disposing of batteries, follow the instructions given in the section "Protecting the environment".

Chargers

- ◆ Use your Black & Decker charger only to charge the battery in the tool with which it was supplied. Other batteries could burst, causing personal injury and damage.
- ◆ Never attempt to charge non-rechargeable batteries.
- ◆ Have defective cords replaced immediately.
- ◆ Do not expose the charger to water.
- ◆ Do not open the charger.
- ◆ Do not probe the charger.



The charger is intended for indoor use only.



Read the instruction manual before use.

Electrical safety



Your charger is double insulated; therefore no earth wire is required. Always check that the mains voltage corresponds to the voltage on the rating plate. Never attempt to replace the charger unit with a regular mains plug.

- ◆ If the supply cord is damaged, it must be replaced by the manufacturer or an authorised Black & Decker Service Centre in order to avoid a hazard.

Labels on appliance

The following warning symbols are found on the appliance:



Read the manual prior to operation.



Wear safety glasses or goggles when operating this appliance.



Wear suitable ear protectors when operating this appliance.



Always remove the plug from the socket before inspecting a damaged cable. Be careful not to use your strimmer if the cable is damaged.



Beware of flying objects. Keep bystanders away from the cutting area.



Do not expose the appliance to rain or high humidity.



Directive 2000/14/EC guaranteed sound power.

Features

This appliance includes some or all of the following features.

1. On/off switch
2. Handle
3. Lock off button
4. Battery
5. Second handle
6. Guard
7. Spool housing
8. Head
9. Power select (STC1820 Only)
10. Edge wheel (STC1820Only)
11. Edge guide (GCM18 Only)

Assembly

Warning! Before assembly, make sure that the tool is switched off and the battery has been removed.

Fitting the guard (fig. A & B)

- ◆ Remove the screw from the guard.

- ◆ Keeping the guard (6) square to the strimmer head (8) slide it into place until the retaining tab clicks into place (Ensure that the guide rails (12) on the guard (6) are correctly aligned with the guide rails (13) on the strimmer head (8).
 - ◆ Secure the guard (6) with the screw (14).
- Warning!** Never use the tool unless the guard is properly fitted.

Attaching the second handle (fig. C)

- ◆ Press in and hold both of the buttons (15) on the side of the handle.
 - ◆ Slide the second handle (5) in place over the buttons (15).
- Warning!** Ensure that the teeth on the button are correctly aligned in slots in the handle and that the handle is secure.

Adjusting the position of the secondary handle (fig. D)

The second handle (5) can be adjusted to provide optimum balance and comfort.

- ◆ Press in the button (15) on the left side of the handle.
- ◆ Rotate the second handle (5) into the required position.
- ◆ Release the button (15).

Warning! Ensure that the teeth on the button are correctly aligned in slots in the handle and that the handle is secure.

Adjusting the height of the tool (fig. E)

This tool has a telescopic mechanism, allowing you to set it to a comfortable height. There are multiple height settings.

To adjust the height setting, proceed as follows:

- ◆ Loosen the adjustment collar (16) by turning it clockwise.
- ◆ Gently pull the tube (17) in or out of the handle (2) to the desired height.
- ◆ Tighten the adjustment collar (16) by turning anti-clockwise.

Releasing the cutting line

In transit, the cutting line is taped to the spool housing.

Warning! Before assembly, remove the battery from the tool.

- ◆ Remove the tape holding the cutting line to the spool housing (7).

Fitting and removing the battery (fig. F)

- ◆ To fit the battery (4), line it up with the receptacle on the tool. Slide the battery into the receptacle and push until the battery snaps into place.
- ◆ To remove the battery, push the release button (18) while at the same time pulling the battery out of the receptacle.

Use

Warning! Let the tool work at its own pace. Do not overload.

Charging the battery (fig. G)

The battery needs to be charged before first use and whenever it fails to produce sufficient power on jobs that were easily done before. The battery may become warm while charging; this is normal and does not indicate a problem.

Warning! Do not charge the battery at ambient temperatures

below 10 °C or above 40 °C. Recommended charging temperature: approx. 24 °C.

Note: The charger will not charge a battery if the cell temperature is below approximately 10 °C or above 40 °C. The battery should be left in the charger and the charger will begin to charge automatically when the cell temperature warms up or cools down.

- ◆ To charge the battery (4), insert it into the charger (19). The battery will only fit into the charger in one way. Do not force. Be sure that the battery is fully seated in the charger.

- ◆ Plug in the charger and switch on at the mains.

The charging indicator (20) will flash green continuously (slowly).

The charge is complete when the charging indicator (20) lights green continuously. The charger and the battery can be left connected indefinitely with the LED illuminated. The LED will change to flashing green (charging) state as the charger occasionally tops up the battery charge. The charging indicator (20) will be lit as long as the battery is connected to the plugged-in charger.

- ◆ Charge discharged batteries within 1 week. Battery life will be greatly diminished if stored in a discharged state.

Leaving the battery in the charger

The charger and battery pack can be left connected with the LED glowing indefinitely. The charger will keep the battery pack fresh and fully charged.

Charger diagnostics

If the charger detects a weak or damaged battery, the charging indicator (20) will flash red at a fast rate. Proceed as follows:

- ◆ Re-insert the battery (4).
- ◆ If the charging indicators continues flashing red at a fast rate, use a different battery to determine if the charging process works properly.
- ◆ If the replaced battery charges correctly, the original battery is defective and should be returned to a service centre for recycling.
- ◆ If the new battery gives the same indication as the original battery, take the charger to be tested at an authorised services centre.

Note: It may take as long as 30 minutes to determine that the battery is defective. If the battery is too hot or too cold, the LED will alternately blink red, fast and slow, one flash at each speed and repeat.

Setting the tool to trimming or edging mode (fig. H, I, J & K)

The tool can be used in trimming mode as shown in fig. H or in edging mode to trim overhanging grass along lawn edges and flower beds as shown in fig. I.

Trimming mode (fig. E, H & J)

For trimming, the trimmer head should be in the position shown in fig. J. If it is not:

- ◆ Remove the battery from the tool.
- ◆ Loosen the adjustment collar (16) by turning it clockwise.

- ◆ Whilst holding the handle (2), rotate the head (8) clockwise.

- ◆ Tighten the collar (16) by turning it anti-clockwise.

Note: Note: The head will only rotate in one direction.

Edging mode (fig. E, I & K)

For edging, the trimmer head should be in the position shown in fig. K. If it is not:

- ◆ Remove the battery from the tool.
- ◆ Loosen the adjustment collar (16) by turning it clockwise.
- ◆ Whilst holding the handle (2), rotate the head (8) anti-clockwise.
- ◆ Tighten the collar (16) by turning it anti-clockwise.

Note: The head will only rotate in one direction.

Switching on and off

- ◆ To switch the tool on, press in and hold the lock off button (3) then squeeze the trigger lever (1). Once the tool is running you may release the lock off button (3).

- ◆ To switch the tool off, release the trigger lever.

Warning! Never attempt to lock the trigger lever in the on position.

Power select (STC1820 Only)

The power select feature (9) is located on the tool handle. It allows you to optimize the tools performance and boost the power as needed.

- ◆ Operate in "ECO" mode for most trimming needs. (Longer runtime will be achieved.)
- ◆ Switch to "TURBO" mode as required when tall, damp or thick conditions are present.

Hints for optimum use

General

- ◆ In order to achieve optimum cutting results, only cut dry grass.

Trimming

- ◆ Hold the tool as shown in fig. J
- ◆ Gently swing the trimmer from side to side.
- ◆ When cutting long grass, work in stages from the top. Take small cuts.
- ◆ Keep the tool away from hard objects and delicate plants.
- ◆ Cutting line will wear faster and require more feeding if the cutting is done along pavements or other abrasive surfaces or heavier weeds are being cut.
- ◆ If the tool starts running slowly, reduce the load.

Edging

Optimum cutting results are achieved on edges deeper than 50 mm.

- ◆ Do not use the tool to create edges. To create edges, use an edging spade.
- ◆ Guide the tool on its wheel (10) or edge guide (11) as shown in fig. K.
- ◆ To make a closer cut, slightly tilt the tool.

Fitting a new spool of cutting line (fig. L)

Replacement spools of cutting line are available from your Black & Decker dealer (cat. no. A6481).

- ◆ Remove the battery from the tool.
- ◆ Keep the tabs (21) depressed and remove the spool cover (22) from the spool housing (7).
- ◆ Remove the empty spool (23) from the spool housing.
- ◆ Remove any dirt and grass from the spool cover and housing.
- ◆ Take the new spool and push it onto the boss in the spool housing. Rotate the spool slightly until it is seated.
- ◆ Unclip the end of the cutting line and guide the line into the eyelet (24). The line should protrude approx. 11 cm from the spool housing.
- ◆ Align the tabs (21) on the spool cover with the cut outs (25) in the spool housing.
- ◆ Push the cover onto the spool housing until it snaps securely into place.

Warning! If the cutting lines protrude beyond the trimming blade (26), cut them off so that they just reach the blade.

Winding new line onto an empty spool (fig. M, N & O)

You may wind new cutting line onto an empty spool.

Replacement packs of cutting line are available from your Black & Decker dealer (cat. no. A6170 (25 m), A6171 (40 m)).

- ◆ Remove the empty spool from the tool as described above.
- ◆ Remove any remaining cutting line from the spool.
- ◆ Feed 2 cm of cutting line into the hole (27) in the spool as shown (fig. M).
- ◆ Bend the cutting line and anchor it in the L-shaped slot (28).
- ◆ Wind the cutting line onto the spool in the direction of the arrow. Make sure to wind the line on neatly and in layers. Do not criss-cross (fig. O).
- ◆ When the wound cutting line reaches the recesses (29), cut the line. Let the line protrude approx. 11 cm from the spool and hold a finger on the line to keep it in place (fig. N).
- ◆ Proceed as described above to fit the spool on the tool.

Warning! Only use the appropriate type of Black & Decker cutting line.

Troubleshooting

If your tool seems not to operate properly, follow the instructions below. If this does not solve the problem, please contact your local Black & Decker repair agent.

Warning! Before proceeding, remove the battery from the tool.

Appliance runs slowly

- ◆ Check that the spool housing can rotate freely. Carefully clean it if necessary.
- ◆ Check that the cutting line does not protrude more than 11 cm from the spool housing. If it does, cut it off so that it just reaches the line trimming blade.

Automatic line feed does not work

- ◆ Keep the tabs depressed and remove the spool cover from the housing.
- ◆ Pull the cutting line until it protrudes 11 cm from the housing. If insufficient cutting line is left on the spool, install a new spool of cutting line as instructed above.
- ◆ Align the tabs on the spool cover with the cut outs in the housing.
- ◆ Push the cover onto the housing until it snaps securely into place.
- ◆ If the cutting line protrudes beyond the trimming blade, cut it off so that it just reaches the blade.

If the automatic line feed still does not work or the spool is jammed, try the following suggestions:

- ◆ Carefully clean the spool cover and housing.
- ◆ Remove the spool and check if the lever can move freely.
- ◆ Remove the spool and unwind the cutting line, then wind it on neatly again as described above. Replace the spool as instructed.

Maintenance

Your Black & Decker corded/cordless appliance/tool has been designed to operate over a long period of time with a minimum of maintenance. Continuous satisfactory operation depends upon proper tool/appliance care and regular cleaning. Your charger does not require any maintenance apart from regular cleaning.

Warning! Before performing any maintenance on corded/cordless power tools:

- ◆ Switch off and unplug the appliance/tool.
- ◆ Or switch off and remove the battery from the appliance/tool if the appliance/tool has a separate battery pack.
- ◆ Or run the battery down completely if it is integral and then switch off.
- ◆ Unplug the charger before cleaning it. Your charger does not require any maintenance apart from regular cleaning.
- ◆ Regularly clean the ventilation slots in your tool/appliance and charger using a soft brush or dry cloth.
- ◆ Regularly clean the motor housing using a damp cloth. Do not use any abrasive or solvent-based cleaner.
- ◆ Regularly clean the cutting line and spool using a soft brush or dry cloth.
- ◆ Regularly use a blunt scraper to remove grass and dirt from the underneath of the guard.

Protecting the environment



Separate collection. This product must not be disposed of with normal household waste.

Should you find one day that your Black & Decker product needs replacement, or if it is of no further use to you, do not dispose of it with household waste. Make this product available for separate collection.



Separate collection of used products and packaging allows materials to be recycled and used again. Re-use of recycled materials helps prevent environmental pollution and reduces the demand for raw materials.

Local regulations may provide for separate collection of electrical products from the household, at municipal waste sites or by the retailer when you purchase a new product.

Batteries



At the end of their useful life, discard batteries with due care for our environment:

- ◆ Run the battery down completely, then remove it from the tool.
- ◆ NiCd, NiMH and Li-Ion batteries are recyclable. Place the battery(s) in a suitable packaging to ensure that the terminals cannot be short-circuited. Take them to any authorised repair agent or a local recycling station.
- ◆ Do not short-circuit the battery terminals.
- ◆ Do not dispose of the battery(s) in a fire as this may result in a risk of personal injury or an Explosion.

Service information

Black & Decker offers a full network of company-owned and authorized service locations throughout Asia. All Black & Decker Service Centers are staffed with trained personnel to provide customers with efficient and reliable power tool service. Whether you need technical advice, repair, or genuine factory replacement parts, contact the Black & Decker location nearest to you.

Note

- ◆ Black & Decker's policy is one of continuous improvement to our products and, as such, we reserve the right to change product specifications without prior notice.
- ◆ Standard equipment and accessories may vary by country.
- ◆ Product specifications may differ by country.
- ◆ Complete product range may not be available in all countries. Contact your local Black & Decker dealers for range availability.

-
-
-

18V 2合1鋰電割草機

GCM18

技術資料

		GCM18 H 1	STC1820 H 1
輸入電壓	V _e	18	18
空載轉速	min ⁻¹	6200	5500-7400
重量	kg	2.6	2.6

請注意！各地區上市產品/配件不盡相同，請依台灣繁體中文說明書的內容為主。

Warning! Attachments and accessories are not the same in each region, please only refer to Taiwan Traditional Chinese description in this manual.

設計用途

您的 Black & Decker 修剪機設計用於修剪和修整草坪邊緣以及在狹小區域剪草。本工具僅供一般DIY消費者家庭使用，營業使用者不適用一年保修條款。

安全說明

警告！ 使用電源驅動的器具時，應始終遵循基本的安全預防措施，包括以下安全預防措施，以降低發生火災、觸電以及人身傷害和重大損害的風險。

警告！ 在使用機器時，必須遵循安全規則。為了您自己和旁觀者的安全，請在操作機器前閱讀這些說明。請妥善保管說明以供日後使用。

- ◆ 使用器具前，請仔細閱讀本手冊全部內容。
- ◆ 器具的設計用途在本手冊中進行了描述。使用非本使用手冊所建議的任何其他配件或附件，或使用本工具執行本使用手冊中所建議之外的任何其他操作，可能會導致人身傷害及/或財產損害的危險。
- ◆ 請保留本手冊以供日後參考。

使用您的器具

使用本器具時，務必小心。

- ◆ 務必使用安全護目鏡或防護眼鏡。
- ◆ 切勿讓兒童或不熟悉這些說明的人使用器具。
- ◆ 禁止兒童或動物走進工作場所，或接觸器具或電源線。
- ◆ 在兒童附近使用器具時，有必要進行密切監督。
- ◆ 本器具並非設計用於在無監督的情況下供年幼或虛弱人士使用。
- ◆ 本器具不能用作玩具。
- ◆ 請僅在白天或光照良好的狀況下使用器具。
- ◆ 請僅在乾燥的位置使用。不得弄濕器具。
- ◆ 請勿將器具浸入水中。

- ◆ 請勿開啟器具外殼。器具內不含使用者可檢修的部件。
- ◆ 請勿在易爆環境，如有易燃液體、氣體或塵埃的環境中操作器具。
- ◆ 為了降低損壞插頭或電線的風險，切勿拉扯電纜以從插座拔下插頭。

他人的安全

- ◆ 體力、感覺或智力不足，或者缺乏經驗及知識的人員（包括小孩）不適合使用本器具，除非負責他們安全的人員已經為他們提供關於使用此器具的監督或指示。
- ◆ 必須監督小孩，確保他們沒有耍玩器具。

剩餘風險

使用工具時可能會出現未包括在隨附的安全警告中的其他剩餘風險。濫用、長時間使用等也會導致這些風險。

即使應用有關的安全規定並採用安全裝置，仍然還有一些無法避免的剩餘風險。此類風險包括：

- ◆ 接觸旋轉/活動部件引起的傷害。
- ◆ 更換任何部件、刀片或配件引起的傷害。
- ◆ 長時間使用工具引起的傷害。長時間使用任何工具時，請確保定期休息。
- ◆ 聽力受損。
- ◆ 吸入使用工具時產生的塵埃引起的健康危害（譬如：在木材上使用時，尤其是櫟木、山毛櫸和中密度纖維板(MDF)）。

使用後

- ◆ 當不使用時，本器具應存放在乾燥、通風性好且兒童無法觸及的地方。
- ◆ 切勿讓兒童接觸存放的器具。
- ◆ 在車輛中存放或運輸器具時，應將器具放在行李箱中或加以固定，以防止車輛在突然變速或轉向時發生移動。

檢查和維修

- ◆ 使用前，請檢查器具是否有損壞或有缺陷的零件。檢查零件破損情況以及可能影響工作的其他狀況。
- ◆ 發現任何零件已損壞或有故障，請勿使用器具。
- ◆ 請將所有受損或有故障的零件送往授權的維修中心進行維修或更換。
- ◆ 除了本手冊中指定的零件之外，切勿嘗試卸下任何其他零件或對其進行替換。

割草機之附加安全指示

警告！ 切割元件在電機關閉後會繼續旋轉一些時間。

- ◆ 請熟悉控件並正確使用器具。
- ◆ 使用前，請檢查電源線和延長線，是否存在損壞、老化和磨損的跡象。如果電源線在使用期間損壞，應立即從電源斷開電源線。請勿在斷開電源之前觸摸電源線。
- ◆ 如果電源線損壞或磨損，請勿使用本器具。
- ◆ 穿著結實的鞋或靴子，以保護您的雙腳。
- ◆ 穿著長褲，以保護您的雙腿。
- ◆ 在使用本器具之前，請檢查您的切割路徑是否已不存在木棍、石頭、電線和其他的任何障礙物。
- ◆ 僅在直立的位置使用本器具，讓切割線靠近地面。切勿在任何其他位置開啟器具。
- ◆ 使用本器具時，務必要緩慢操作。請注意新剪的草皮潮濕溜滑。
- ◆ 請勿在陡峭的斜坡上使用器具。請勿上下修剪斜坡表面。
- ◆ 器具在工作時，切勿跨過碎石路徑或道路。
- ◆ 器具在工作時，切勿觸摸切割線。
- ◆ 請等到切割線已完全停下來才放下器具。
- ◆ 請僅使用適當類型的切割線。切勿使用金屬切割線或釣魚線。
- ◆ 小心不要碰切割線修剪葉片。
- ◆ 注意要讓電源電纜遠離切割線。始終注意電纜的位置。
- ◆ 始終讓雙手和雙腳遠離切割線，尤其是在開啟電機時。
- ◆ 使用本器具之前和產生衝擊之後，檢查是否有磨損或損壞的跡象並在必要時予以維修。
- ◆ 切勿在防護罩損壞或沒有防護罩的情況下使用本器具。
- ◆ 注意預防適合修剪流線長度的裝置造成的傷害。在延長新的切割線後，務必在開啟前讓機器回到正常的作業位置。
- ◆ 請務必確保通風口沒有碎屑。
- ◆ 如果電線損壞或磨損，請勿使用草坪修剪機（邊緣修剪機）。
- ◆ 請讓延長電線遠離切割元件。

電池和充電器之附加安全指示

電池（本包裝無電池，需另選購B&D專用電池，18V，20V Max通用）

- ◆ 無論什麼原因，都不要嘗試打開電池。

- ◆ 請勿將電池暴露在水中。
- ◆ 不要將電池儲存在溫度可能超過 40°C 的地方。
- ◆ 只在環境溫度介於 10 °C 到 40 °C 之間的情況下充電。
- ◆ 只能使用本工具隨附的充電器為電池充電。
- ◆ 處置電池時，請遵循「保護環境」部份所提供的指示執行。

充電器（本包裝無充電器，需另選購B&D專用充電器，18V，20V Max通用）

- ◆ 只能使用工具隨附的 Black & Decker 充電器為工具內的電池充電。其他非原廠電池可能會爆裂，導致人身傷害和損害。
- ◆ 切勿嘗試為不可再充電的電池充電。
- ◆ 立即更換損壞的電線。
- ◆ 請勿將充電器暴露在水中。
- ◆ 請勿打開充電器。
- ◆ 請勿刺破充電器。



本充電器僅供室內使用。



使用之前請閱讀使用手冊。

電氣安全



您的充電器採用雙重絕緣，因此不需要使用接地線。請務必檢查主電壓是否與銘牌一致。切勿嘗試使用一般的電源插頭取代充電器裝置。

- ◆ 若電源線損毀，必須送往製造廠商或授權的 Black & Decker 服務中心更換以避免發生危險。

器具上的標籤

器具上可見下面的警告符號：



請在操作之前閱讀本手冊。



操作本器具時，請佩戴安全護目鏡或防護眼鏡。



操作本器具時，請佩戴聽力保護器。



在檢查損壞的電纜之前，務必從插座拔出插頭。如果電纜損壞，注意不要使用修剪機。



小心掉落的物件。讓旁觀者遠離切割區域。



請勿將器具暴露在雨中或高濕度環境中。



聲功率通過 2000/14/EC 標準認證。

功能零件

本器具包括以下部分或全部功能部件。

1. 電源開關
2. 手柄
3. 安全鎖
4. 電池 (需另選購B&D專用電池, 18V, 20V Max通用)
5. 輔助手柄
6. 防護罩
7. 線軸外殼
8. 割草機頭
9. 功率選擇 (僅限 STC1820)
10. 研磨輪 (僅限 STC1820)
11. 導邊器 (僅限 GCM18)

裝配

警告！ 裝配之前，請確定已關閉工具電源並取下電池。

安裝防護罩 (圖 A 和 B)

- ◆ 從防護罩上卸下螺釘。
- ◆ 讓防護罩 (6) 與修草機頭 (8) 垂直，然後將其滑動，直到固定凸耳卡入到位 (確保防護罩 (6) 上的導軌 (12) 與修草機頭 (8) 上的導軌 (13) 正確對齊)。
- ◆ 使用螺釘 (14) 緊固防護罩 (6)。

警告！ 除非已正確安裝防護罩，否則切勿使用本工具。

安裝輔助手柄 (圖 C)

- ◆ 按入並按住手柄側的兩個按鈕 (15)。
- ◆ 將輔助手柄 (5) 滑入到按鈕 (15) 上。

警告！ 請確保按鈕上的齒印與手柄槽正確契合，並使手柄保持緊固。

調整輔助手柄 (圖 D) 的位置

可調整輔助手柄 (5)，以提供最佳的平衡性和舒適度。

- ◆ 按入手柄左側的按鈕 (15)。
- ◆ 將輔助手柄 (5) 旋入所需位置。
- ◆ 釋放按鈕 (15)。

警告！ 請確保按鈕上的齒印與手柄槽正確契合，並使手柄保持緊固。

調整工具的高度 (圖 E)

此工具帶有一個伸縮機構，您可以用它來將工具設到舒適的高度。提供多個高度設置可用。

如需調節高度設置，請進行如下操作：

- ◆ 順時針方向旋轉以鬆開調整環 (16)。
- ◆ 輕輕將管 (17) 推入或推出手柄 (2)，直至達到所需高度。
- ◆ 反時針方向旋轉以緊固調整環 (16)。

釋放切割線

在運輸途中，切割線是透過膠帶粘在線軸外殼上。

警告！ 裝配之前，請卸下工具內的電池。

- ◆ 撕下將切割線固定到線軸外殼 (7) 上的膠帶。

安裝及卸下電池 (圖 F)

- ◆ 若要安裝電池 (4)，請將電池與工具上的電池盒對齊。將電池滑入電池盒，然後推動直到電池卡入到位。
- ◆ 若要卸下電池，請在按下釋放按鈕 (18) 的同時將電池從電池盒中拉出。

使用說明

警告！ 請勿使工具超出本身之設計速度操作。請勿使它過載。

為電池充電 (圖 G) (本包裝無充電器，需另選購B&D專用充電器, 18V, 20V Max通用)
第一次使用電池之前，以及電池無法像從前一樣為作業輕鬆提供足夠的電量時，就需要充電。電池在充電時可能會變熱；這是正常現象，並不表示出現任何問題。

警告！ 請勿對鋰電池放電，過度放電會對鋰電池造成損害，降低電池壽命。

註：如果電池溫度低於約 10 °C 或高於 40 °C，充電器將無法為電池充電。

電池應留在充電器中，電池溫度升高或降低後，充電器將自動開始充電。

- ◆ 若要為電池 (4) 充電，請將它插入充電器 (19) 中。電池僅可以一個方向裝入充電器。請勿強行裝入。確保電池完全放入充電器。
- ◆ 插入充電器插頭並打開電源。

充電指示器 (20) 會持續閃爍綠燈（緩慢），表示電池充電中。

充電指示燈 (20) 持續發綠光時，充電完成。充電器和電池可以在 LED 亮起的情況下無限期地保持連接。當充電器有時為電池充滿電時，LED 會變為閃綠光（正在充電）的狀態。只要電池連接至插入插頭的充電器，充電指示器 (20) 將亮起。

- ◆ 在 1 週內為電量已耗盡的電池充電。如果在電池耗盡的狀態下儲存，電池壽命將會極大地縮短。

將電池留在充電器中

充電器和電池組可以在 LED 亮起的情況下無限期地保持連接。充電器會為電池組充滿電，保持電池電量充足。

充電器診斷

如果充電器偵測到電池電量低或已損毀，充電指示燈 (20) 將快速閃紅光。請按以下方式進行：

- ◆ 重新插入電池 (4)。
- ◆ 如果充電指示燈繼續快速閃紅光，則使用其他電池以確定充電過程是否正常。
- ◆ 如果更換的電池可正常充電，則原電池已損壞，應連同電動工具、充電器送回服務中心回收測試。
- ◆ 如果新電池發出的指示與原電池的相同，應連同電動工具、充電器送回服務中心回收測試。

註：可能需要 30 分鐘才能確定電池是否受損。如果電池溫度過高或過低，LED 將以交替方式快速或緩慢地閃爍紅光，每種速度閃爍一次，然後不斷重複。

將本工具設為修剪或修邊模式（圖 H、I、J 和 K）

如圖所示，本工具可以在修剪模式下使用（如圖 H 所示）或在修邊模式下裁剪草坪邊緣和花壇懸伸出

來的草被（如圖 I 所示）。

修剪模式（圖 E、H 和 J）

對於修剪，修剪機頭端應在圖 J 中所示的位置。如果不是的話：

- ◆ 請卸下工具內的電池。
- ◆ 順時針方向旋轉以鬆開調整環 (16)。
- ◆ 握住手柄 (2)，同時順時針方向旋轉頭端 (8)。
- ◆ 反時針方向旋轉以緊固調整環 (16)。

註：頭端只會向一個方向旋轉。

修邊模式（圖 E、I 和 K）

對於修剪，修剪機頭端應在圖 K 中所示的位置。如果不是的話：

- ◆ 請卸下工具內的電池。
- ◆ 順時針方向旋轉以鬆開調整環 (16)。
- ◆ 握住手柄 (2)，同時反時針方向旋轉頭端 (8)。
- ◆ 反時針方向旋轉以緊固調整環 (16)。

註：頭端將只朝一個方向旋轉。

開啓與關閉

- ◆ 要開啟工具，按住安全鎖 (3)，然後按下電源開關 (1)。本工具工作後，您便可釋放安全鎖 (3)。
- ◆ 若要關閉工具電源，鬆開開關即可。

警告！ 切勿嘗試將電源開關鎖定在開啟位置。

功率選擇（僅限 STC1820）

功率選擇功能 (9) 位於工具手柄上。您可用此功能來優化工具效能並根據需要增加動力。

- ◆ 在「ECO」模式下操作，可符合大多數修剪需要。（將實現更長的工作時間）。
- ◆ 在出現較高、潮濕或厚重的修剪條件時，請根據需要切換到「TURBO」模式。

最佳使用提示

一般要求

- ◆ 若要取得最佳的切割效果，請僅切割乾草。

修剪

- ◆ 握住工具，如圖 J 所示
- ◆ 從一側到另一側輕輕擺動割草機。
- ◆ 切割長草時，請從草的頂部開始分段切割。每次切割少量。
- ◆ 讓工具遠離硬物與纖弱的植物。

- ◆ 若沿人行道或磨損表面切割或是切割較重的雜草，切割線磨損較快並需要更多電力。
- ◆ 若工具運轉速度開始變得緩慢，請降低負載。

修邊

在深於 50 mm 的邊緣可達到最佳的剪切效果。

- ◆ 請勿使用本工具來塑邊。若要塑邊，使用磨邊鏈。
- ◆ 沿輪 (10) 或導邊器 (11) 將可協助工具導向（如圖 K 所示）。
- ◆ 若要切割得更短，請稍微傾斜工具。

安裝新的切割線線軸（圖 L）

Black & Decker 經銷商提供更換用切割線線軸 (cat. no. AF100)。

- ◆ 請卸下工具內的電池。
- ◆ 按下凸耳 (21) 並從線軸外殼 (7) 取下線軸蓋 (22)。
- ◆ 從線軸外殼取下空的線軸 (23)。
- ◆ 從線軸蓋和外殼清除任何污垢和草。
- ◆ 將新線軸推入線軸外殼中的突起處上。稍微旋轉線軸，直到固定到位。
- ◆ 鬆開切割線一端並將切割線導入小孔 (24)。切割線應從線軸外殼伸出約 11 公分。
- ◆ 將線軸蓋上的凸耳 (21) 與線軸外殼中的切口 (25) 對齊。
- ◆ 將蓋推到線軸外殼上，直到它牢牢地卡入到位。

警告！ 如果切割線伸出超出了修剪葉片 (26)，則將其剪切，使它們剛到達葉片處。

將新線繞到空線軸（圖 M、N 和 O）上

您可能將新切割線繞到空線軸上。

- ◆ 從工具取下空線軸，如上文所述。
- ◆ 從線軸取下任何剩餘的切割線。
- ◆ 將 2 公分的切割線伸入線軸的孔 (27) 內，如圖 M 所示。
- ◆ 折彎切割線並將其固定在 L 形的插槽 (28) 中。
- ◆ 沿箭頭方向將切割線繞到線軸上。請確保整潔分層地繞線。請勿縱橫交錯（圖 O）。
- ◆ 當所繞的切割線到達凹進處 (29)，則剪下此切割線。讓切割線從線軸伸出約 11 公分，並用手指按在線上以讓其固定到位（圖 N）。
- ◆ 如上文所述進行操作，以將線軸安裝到工具上

警告！ 僅使用適當類型的 Black & Decker 切割線。

疑難排解

如果您的工具似乎不能正常工作，請根據下面的說明操作。如果這沒法解決問題，請聯絡您當地的 Black & Decker 維修代理商。

警告！ 在繼續之前，請從本工具中取出電池。

器具工作速度慢

- ◆ 檢查線軸外殼是否可自由旋轉。如果有必要，仔細地進行清潔。
- ◆ 檢查切割線不會從線軸外殼伸出超出 11 公分。如果是，則將其剪切至剛到達切割線修剪葉片。

無法自動吐線

- ◆ 按下凸耳並從外殼取下線軸蓋。
- ◆ 拉動切割線，直到它從外殼突出 11 公分。如果線軸上所剩切割線不足，則根據上面的指示安裝一個新的切割線線軸。
- ◆ 將線軸蓋上的凸耳與外殼中的切口對齊。
- ◆ 將蓋推到外殼上，直到它牢牢地卡入到位。
- ◆ 如果切割線伸出超出修剪葉片，則將其剪切至剛好到達葉片處。

如果自動吐線仍不動作或線軸被卡住，請嘗試根據以下建議操作：

- ◆ 仔細清理線軸蓋和外殼。
- ◆ 取下線軸，並檢查線軸桿是否可以自由移動。
- ◆ 取下線軸並解開切割線，然後再次將其整潔繞回，如上文所述。依指示更換線軸。

維護

您的 Black & Decker 插電/充電器具/工具採用卓越的設計，能夠長時間使用，並且只需最少的維護。要持續獲得令人滿意的工作效果，需要對工具/器具進行適當的保養和定期清潔。

您的充電器除了定期清潔之外，並不需要執行任何維護操作。

警告！ 在插電/充電電動工具上執行任何維護工作之前：

- ◆ 請關閉電源並拔下器具/工具的插頭。
- ◆ 或者，若器具/工具使用獨立電池組，請關閉電源並將電池從器具/工具卸下。
- ◆ 又或者，若電池屬於內建電池，請使電池完全放電，然後再關閉電源。

- ◆ 鋰電池請勿過度放電，會造成電池損壞。
- ◆ 清潔之前請拔下充電器的插頭。您的充電器除了定期清潔之外，並不需要執行任何維護操作。
- ◆ 請定期使用軟刷或軟布清潔工具/器具和充電器內的通風槽。
- ◆ 定期使用濕布清潔電動機外殼。請勿使用任何研磨性或基於溶劑的清潔劑。
- ◆ 使用軟毛刷或乾布定期清潔切割線和線軸。
- ◆ 定期使用鈍刮刀從防護罩下方清除草和污垢。

電動工具之修理，僅可由認證的技術人員執行。請勿交由非百得認證服務中心的認證技術人員進行修理、維護、調整。若產品經由非百得認證的維修工程師拆解、組裝、調整，恕無法適用百得一年家用保修條款。

請務必使用原廠零件。為充份發揮其功能，修理、維護、調整請務必使用原廠零件。

保護環境



分類收集。本產品必須與一般家庭廢物分開處置。

若您發現您的 Black & Decker 產品需要進行替換，或您已經不再需要使用這些產品，請不要將它們與家庭廢物一起處置。務必將本產品送往分類收集處。



分類收集用過的產品和包裝允許材料循環再生利用。

重新使用回收的材料有助於防止環境污染，並降低對原材料的需求。

當地法規可能要求由市政廢物回收點，或由向您出售新產品的經銷商來提供將電子產品與家庭廢物分類收集的服務。

電池



在電池使用壽命結束時，請妥善處置以保護我們的環境。

- ◆ 使電池完全放電，然後將它從工具中卸下。
- ◆ 鎳鎘、鎳氫電池和鋰離子電池均為可回收電池。將電池組放於合適的包裝袋中，確保電源兩極不得短路。請將它們送往任一授權維修中心或當地的回收站。
- ◆ 不得讓電池端子短路。
- ◆ 不得將電池棄置到火中，因為這可能會導致人身傷害或爆炸的危險。

服務資訊

Black & Decker 提供覆蓋整個亞洲的公司隸屬和授權服務地點。所有的 Black & Decker 維修中心都具有訓練有素的人員，為客戶提供高效、可靠的電動工具服務。無論您需要技術建議、維修或原廠替換零件，請聯絡最靠近您的 Black & Decker 地點。

註

- ◆ Black & Decker 的政策是持續改善我們的產品，因此，我們保留隨時變更產品規格的權利，恕不另行通知。
- ◆ 標準裝置和配件可能會根據不同的國家/地區而有所不同。
- ◆ 產品規格可能會根據不同的國家而有所不同。
- ◆ 並非所有的國家/地區都將提供完整的產品系列。如需各產品系列的供應情況，請聯絡您當地的 Black & Decker 代理商。

經銷商: 特力股份有限公司

地址: 台北市內湖區新湖三路23號1.2.5樓

電話: 0800-552888

進口/委製廠商: 新加坡商百得電動工具(股)公司台灣分公司

地址: 台北市北投區裕民六路120號4樓

電話: 02-2820-1065