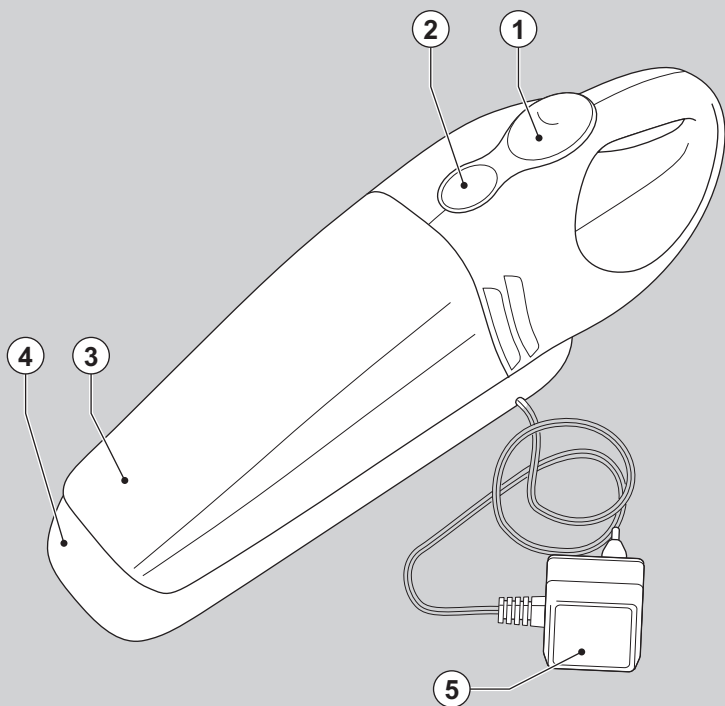
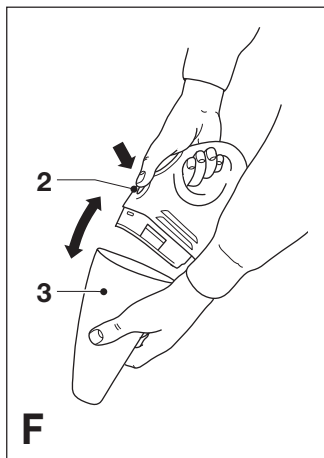
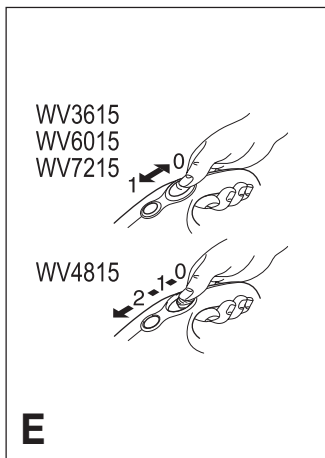
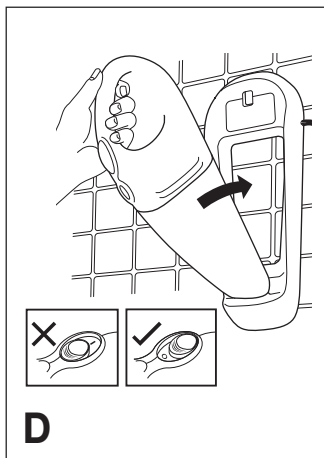
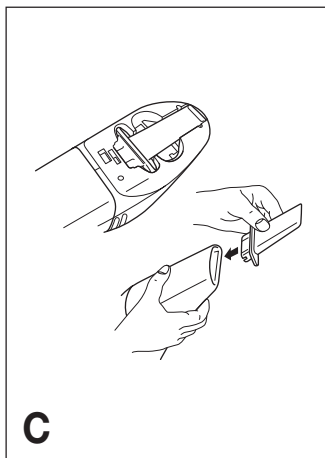
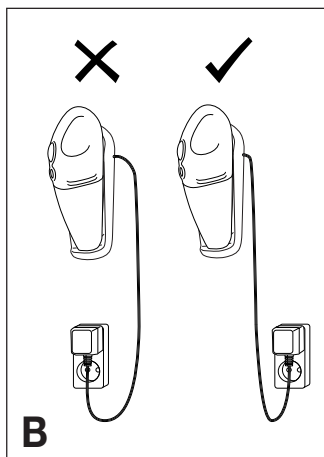
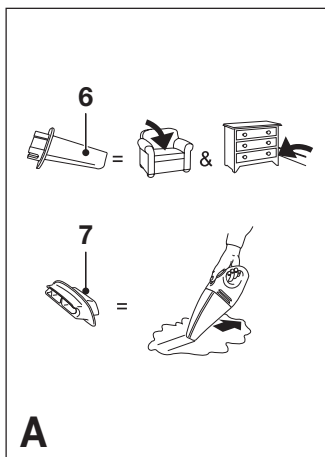


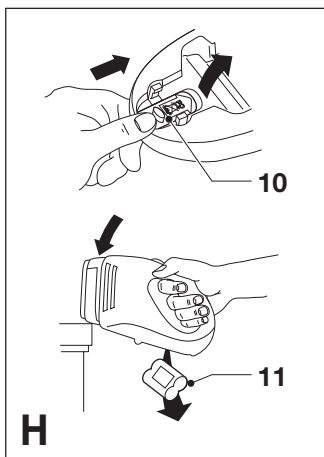
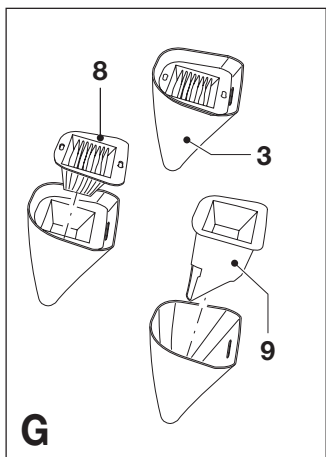


# BLACK & DECKER®

www.blackanddecker.co.uk







## Intended use

Your Black & Decker Dustbuster® hand held vacuum cleaner has been designed for light wet and dry vacuum cleaning purposes. This product is intended for household use only.

## Safety instructions

- ◆ **Warning!** When using battery-powered appliances, basic safety precautions, including the following, should always be followed to reduce the risk of fire, leaking batteries, personal injury and material damage.
- ◆ Read this manual carefully before using the appliance.
- ◆ The intended use is described in this manual. The use of any accessory or attachment or the performance of any operation with this appliance other than those recommended in this instruction manual may present a risk of personal injury.
- ◆ Retain this manual for future reference.

## Using your appliance

- ◆ Do not use the appliance to pick up liquids or any materials that could catch fire.
- ◆ Do not immerse the appliance in water.
- ◆ Never pull the charger lead to disconnect the charger from the socket. Keep the charger lead away from heat, oil and sharp edges.
- ◆ To prevent wet spills from entering the motor, do not:
  - turn the appliance upside down or sideways
  - point the nozzle upwards
  - shake the appliance excessively
- ◆ Empty wet spills immediately.

## After use

- ◆ Unplug the charger before cleaning it.
- ◆ Always empty and clean the bowl after picking up liquid. Do not store the appliance with liquid in the bowl.
- ◆ When not in use, the appliance should be stored in a dry place.

Children should not have access to stored appliances.

## Inspection and repairs

- ◆ Before use, check the appliance for damaged or defective parts. Check for breakage of parts, damage to switches and any other conditions that may affect its operation.
- ◆ Do not use the appliance if any part is damaged or defective.
- ◆ Have any damaged or defective parts repaired or replaced by an authorised repair agent.
- ◆ Regularly check the charger lead for damage. Replace the charger if the lead is damaged or defective.
- ◆ Never attempt to remove or replace any parts other than those specified in this manual.

## Battery and charger

- ◆ Never attempt to open the battery.
- ◆ Do not expose the battery to water.
- ◆ Do not incinerate the battery.
- ◆ Do not expose the charger to water.
- ◆ Do not open the charger.

## Electrical safety

Your charger has been designed for a specific voltage. Always check that the mains voltage corresponds to the voltage on the rating plate. Never attempt to replace the charger unit with a regular mains plug.

## Symbols on the charger



Your charger is double insulated; therefore no earth wire is required.



Fail safe isolating transformer. The mains supply is electrically separated from the transformer output.



The charger automatically shuts off if the ambient temperature becomes too high.

As soon as the ambient temperature has decreased, the charger will resume operating.



The charger is intended for indoor use only.



Read the manual carefully before using the appliance.

## Features

1. On/off switch
2. Release button
3. Dust bowl
4. Charging base
5. Charger

### Fig. A

6. Crevice tool
7. Wet pick-up accessory

## Installation

### Fitting the charging base to the wall (fig. B)

The charging base can be fitted to the wall to provide a convenient storage and charging point for the appliance.

**Warning!** Do not fit the charging base directly over a mains supply. Ensure the cord has a loop when the charger is connected to the mains.

## Assembly

### Fitting the accessories (fig. A & C)

These models are supplied with the following accessories:

- a crevice tool (6) for confined spaces
- a wet pick-up accessory (7) for wet spills

To fit an accessory, proceed as follows:

- ◆ Take the accessories from the appliance.
- ◆ Insert the appropriate accessory into the front of the appliance.

You may refit the other accessory by clicking it into the accessory holder.

## Use

- ◆ Before first use, the battery must be charged for at least 16 hours.
- ◆ Place the appliance on the charging base whenever it is not in use.

### Charging the battery (fig. D)

- ◆ Make sure that the appliance is switched off. The battery will not be charged with the on/off switch in the on position.
- ◆ Place the appliance on the charging base as shown.
- ◆ Plug in the charger. Switch on at the mains.
- ◆ Leave the appliance to charge for at least 16 hours.

Whilst charging, the charger may become warm. This is normal and does not indicate a problem. The appliance can be left connected to the charger indefinitely.

**Warning!** Do not charge the battery at ambient temperatures below 4 °C or above 40 °C.

### Switching on and off (fig. E)

- ◆ To switch the appliance on, slide the on/off switch (1) forward.
- ◆ To switch the appliance off, slide the on/off switch back.

### Wet pick-up (fig. A)

Use the wet pick-up accessory (7) on non-absorbent surfaces.

For best results when using this accessory, hold the appliance at an angle of 45° and pull it slowly towards you. On absorbent surfaces, such as carpet, your appliance will pick up wet spills better without the accessory.

### Emptying the dust bowl (fig. F & G)

- ◆ Press the release button (2) and remove the dust bowl (3).
- ◆ Remove the filters (8 & 9).
- ◆ Empty the dust bowl.
- ◆ Refit the filters.
- ◆ Refit the dust bowl onto the appliance. Make sure the dust bowl clicks into place.

## Cleaning and maintenance

**Warning!** Regularly clean the filters.

### Cleaning the dust bowl and filters (fig. F & G)

The filters are re-usable and should be cleaned regularly.

- ◆ Empty the dust bowl as described above.
- ◆ Brush loose dust off the filters.
- ◆ Wash the filters in warm, soapy water. The bowl can also be washed if necessary. Do not immerse the appliance in water.
- ◆ Make sure the dust bowl and the filters are completely dry.
- ◆ Refit the filters.
- ◆ Refit the dust bowl into the appliance. Make sure the dust bowl clicks into place.

**Warning!** Never use the appliance without the filters. Optimum dust collection will only be achieved with clean filters and an empty dust bowl.

### Replacing the filters

The filters should be replaced every 6 to 9 months and whenever worn or damaged. Replacement filters are available from your Black & Decker dealer (cat. no. WVF30).

- ◆ Remove the old filters as described above.
- ◆ Fit the new filters as described above.

## Protecting the environment



Separate collection. This product must not be disposed of with normal household waste.

Should you find one day that your Black & Decker product needs replacement, or if it is of no further use to you, do not dispose of it with household waste. Make this product available for separate collection.



Separate collection of used products and packaging allows materials to be recycled and used again.

Re-use of recycled materials helps prevent environmental pollution and reduces the demand for raw materials.

Local regulations may provide for separate collection of electrical products from the household, at municipal waste sites or by the retailer when you purchase a new product.

Black & Decker provides a facility for the collection and recycling of Black & Decker products once they have reached the end of their working life. To take advantage of this service please return your product to any authorised repair agent who will collect them on our behalf.

You can check the location of your nearest authorised repair agent by contacting your local Black & Decker office at the address indicated in this manual. Alternatively, a list of authorised Black & Decker repair agents and full details of our after-sales service and contacts are available on the Internet at: [www.2helpU.com](http://www.2helpU.com)

### Battery (fig. H)



When disposing of the product, the battery must be removed as described below and disposed of in accordance with local regulations.

If you want to dispose of the product yourself, the battery must be removed as described below and disposed of in accordance with local regulations.

**Warning!** Disconnect the appliance from the power supply before removing the battery.

- ◆ Preferably discharge the battery by operating the appliance until the motor stops.

The battery is located under the back end of the appliance.

- ◆ Remove the crevice tool from the accessory holder.

- ◆ Push the slider (10) towards the front of the product.
- ◆ Remove the accessory holder.
- ◆ Strike the product on a firm and stable surface as shown in fig. G to dislodge the battery (11).  
Alternatively, use a screwdriver to dislodge the battery.
- ◆ Place the battery in suitable packaging to ensure that the terminals cannot be short-circuited.
- ◆ Take the battery to your service agent or a local recycling station. Collected batteries will be recycled or disposed of properly.

**Warning!** Once removed, the battery cannot be refitted.

#### Technical data

		WV3615	WV4815
Voltage	V	3.6	4.8
Battery type		NiCd	NiCd
Weight	kg	0.9	0.9

		WV6015	WV7215
Voltage	V	6.0	7.2
Battery type		NiCd	NiCd
Weight	kg	1.0	1.1

#### Charger

Input voltage	V <sub>AC</sub>	230
Approx. charging time	h	16

#### EC declaration of conformity

WV3615/WV4815/WV6015/WV7215

Black & Decker declares that these products conform to:  
89/336/EEC, 73/23/EEC, EN 55014,  
EN 60335, EN 61000



Kevin Hewitt  
Director of Consumer Engineering  
Spennymoor, County Durham DL16 6JG,  
United Kingdom  
1-3-2005

#### Guarantee

Black & Decker is confident of the quality of its products and offers an outstanding guarantee.

This guarantee statement is in addition to and in no way prejudices your statutory rights. The guarantee is valid within the territories of the Member States of the European Union and the European Free Trade Area.

If a Black & Decker product becomes defective due to faulty materials, workmanship or lack of conformity, within 24 months from the date of purchase, Black & Decker guarantees to replace defective parts, repair products subjected to fair wear and tear or replace such products to ensure minimum inconvenience to the customer unless:

- ◆ The product has been used for trade, professional or hire purposes;
- ◆ The product has been subjected to misuse or neglect;
- ◆ The product has sustained damage through foreign objects, substances or accidents;
- ◆ Repairs have been attempted by persons other than authorised repair agents or Black & Decker service staff.

To claim on the guarantee, you will need to submit proof of purchase to the seller or an authorised repair agent. You can check the location of your nearest authorised repair agent by contacting your local Black & Decker office at the address indicated in this manual. Alternatively, a list of authorised Black & Decker repair agents and full details of our after-sales service and contacts are available on the Internet at: **www.2helpU.com**

Please visit our website **www.blackanddecker.co.uk** to register your new Black & Decker product and to be kept up to date on new products and special offers. Further information on the Black & Decker brand and our range of products is available at **www.blackanddecker.co.uk**

**Australia**

Black & Decker (Australia) Pty. Ltd. Tel. 03-8720 5100  
20 Fletcher Road, Mooroolbark,  
Victoria, 3138 Fax 03-9727 594065

**New Zealand**

Black & Decker Tel. 09 579 7600  
81 Hugo Johnston Drive Fax 09 579 8200  
Penrose, Auckland, New Zealand

**United Kingdom**

Black & Decker Tel. 01753 511234  
210 Bath Road Fax 01753 551155  
Slough, Berkshire SL1 3YD Helpline 01753 574277