





Fig. A

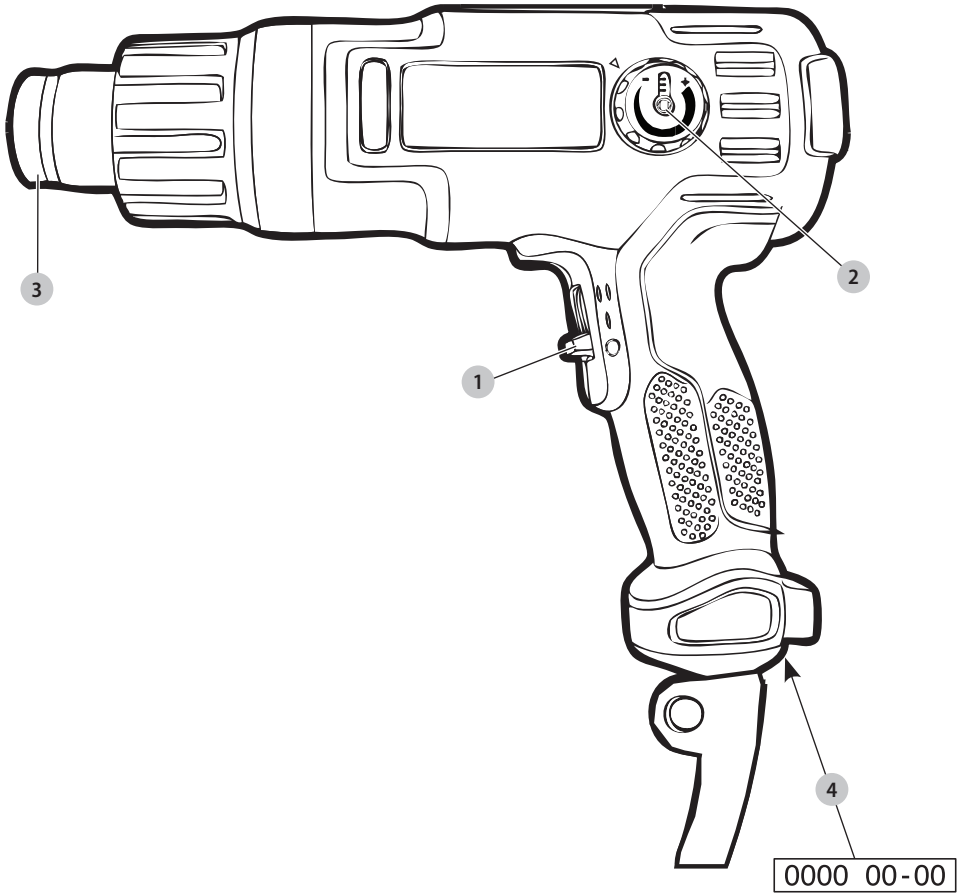


Fig. B

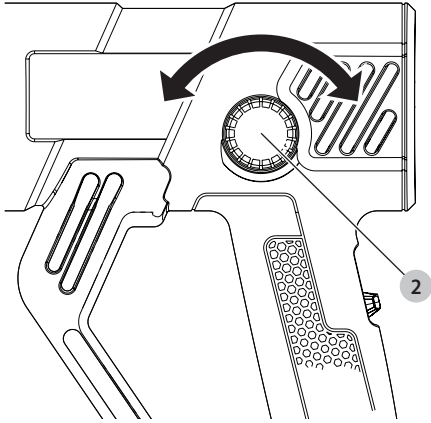


Fig. C

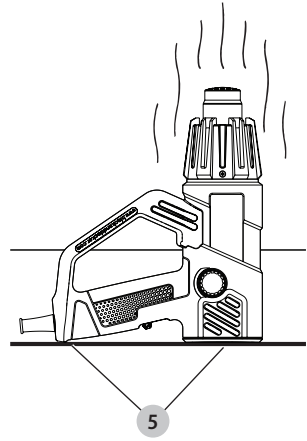


Fig. D

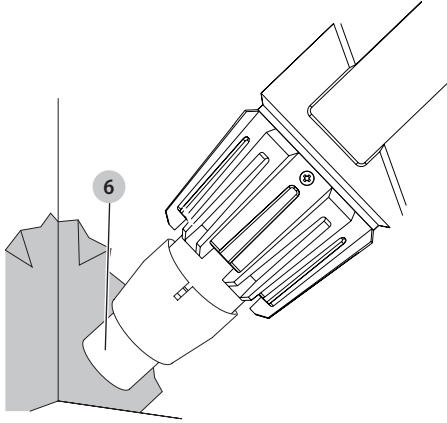


Fig. E

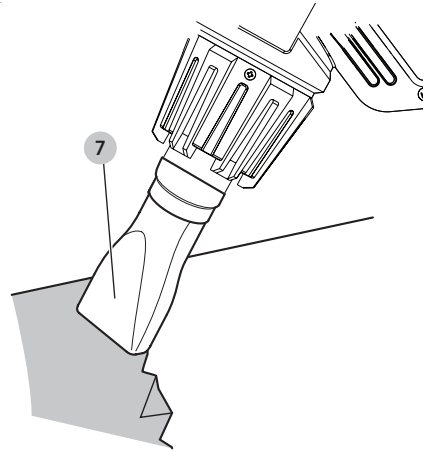


Fig. F

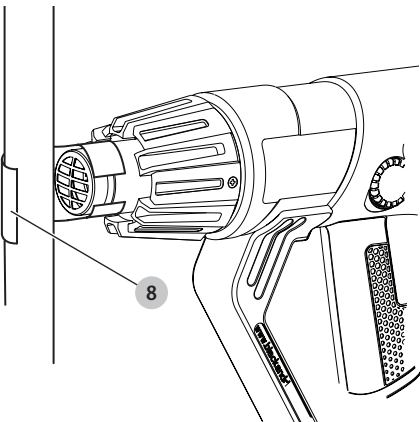
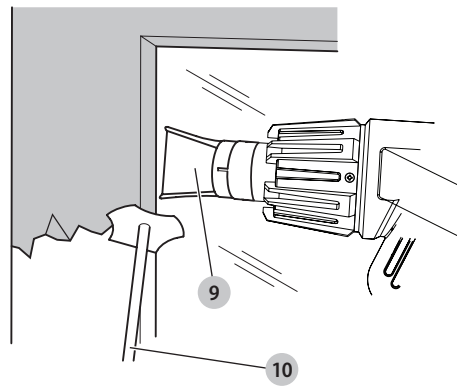


Fig. G



# HEAT GUN

## KX2001

### Congratulations!

You have chosen a BLACK+DECKER tool. Years of experience, thorough product development and innovation make BLACK+DECKER one of the most reliable partners for consumer power tool users.

		KX2001
Voltage	$V_{AC}$	230
Construction		Class II
Type		1
Power input	W	2000
Air temperature range (at nozzle)	$^{\circ}C$	50–600
Weight	kg	0.85

**NOTE:** KX2001, This device is intended for connection to a power supply system with maximum permissible system impedance  $Z_{max}$  of  $0.088 \Omega$  at the interface point (power service box) of user's supply. The user has to ensure that this device is connected only to a power system which fulfils the requirement above. If necessary, the user can ask the public power supply company for the system impedance at the interface point.



**WARNING:** To reduce the risk of injury, read the instruction manual.

### Definitions: Safety Guidelines

The definitions below describe the level of severity for each signal word. Please read the manual and pay attention to these symbols.



**DANGER:** Indicates an imminently hazardous situation which, if not avoided, **will** result in **death or serious injury**.



**WARNING:** Indicates a potentially hazardous situation which, if not avoided, **could** result in **death or serious injury**.



**CAUTION:** Indicates a potentially hazardous situation which, if not avoided, **may** result in **minor or moderate injury**.

**NOTICE:** Indicates a practice **not related to personal injury** which, if not avoided, **may** result in **property damage**.



Denotes risk of electric shock.



Denotes risk of fire.

### General Power Tool Safety Warnings



**WARNING:** Read all safety warnings, instructions, illustrations and specifications provided with this power tool. Failure to follow all instructions listed below may result in electric shock, fire and/or serious injury.

**SAVE ALL WARNINGS AND INSTRUCTIONS FOR FUTURE REFERENCE**

The term "power tool" in the warnings refers to your mains-operated (corded) power tool or battery-operated (cordless) power tool.

### 1) Work area safety

- Keep work area clean and well lit.** Cluttered or dark areas invite accidents.
- Do not operate power tools in explosive atmospheres, such as in the presence of flammable liquids, gases or dust.** Power tools create sparks which may ignite the dust or fumes.
- Keep children and bystanders away while operating a power tool.** Distractions can cause you to lose control.

### 2) Electrical safety

- Power tool plugs must match the outlet. Never modify the plug in any way. Do not use any adapter plugs with earthed (grounded) power tools.** Unmodified plugs and matching outlets will reduce risk of electric shock.
- Avoid body contact with earthed or grounded surfaces such as pipes, radiators, ranges and refrigerators.** There is an increased risk of electric shock if your body is earthed or grounded.
- Do not expose power tools to rain or wet conditions.** Water entering a power tool will increase the risk of electric shock.
- Do not abuse the cord. Never use the cord for carrying, pulling or unplugging the power tool. Keep cord away from heat, oil, sharp edges or moving parts.** Damaged or entangled cords increase the risk of electric shock.
- When operating a power tool outdoors, use an extension cord suitable for outdoor use.** Use of a cord suitable for outdoor use reduces the risk of electric shock.
- If operating a power tool in a damp location is unavoidable, use a residual current device (RCD) protected supply.** Use of an RCD reduces the risk of electric shock.

### 3) Personal safety

- Stay alert, watch what you are doing and use common sense when operating a power tool. Do not use a power tool while you are tired or under the influence of drugs, alcohol or medication.** A moment of inattention while operating power tools may result in serious personal injury.
- Use personal protective equipment. Always wear eye protection.** Protective equipment such as dust mask, non-skid safety shoes, hard hat, or hearing protection used for appropriate conditions will reduce personal injuries.
- Prevent unintentional starting. Ensure the switch is in the off position before connecting to power**

**source and/or battery pack, picking up or carrying the tool.** Carrying power tools with your finger on the switch or energising power tools that have the switch on invites accidents.

- d) **Remove any adjusting key or wrench before turning the power tool on.** A wrench or a key left attached to a rotating part of the power tool may result in personal injury.
- e) **Do not overreach. Keep proper footing and balance at all times.** This enables better control of the power tool in unexpected situations.
- f) **Dress properly. Do not wear loose clothing or jewellery. Keep your hair, clothing and gloves away from moving parts.** Loose clothes, jewellery or long hair can be caught in moving parts.
- g) **If devices are provided for the connection of dust extraction and collection facilities, ensure these are connected and properly used.** Use of dust collection can reduce dust-related hazards.

#### 4) Power tool use and care

- a) **Do not force the power tool. Use the correct power tool for your application.** The correct power tool will do the job better and safer at the rate for which it was designed.
- b) **Do not use the power tool if the switch does not turn it on and off.** Any power tool that cannot be controlled with the switch is dangerous and must be repaired.
- c) **Disconnect the plug from the power source and/or the battery pack from the power tool before making any adjustments, changing accessories, or storing power tools.** Such preventive safety measures reduce the risk of starting the power tool accidentally.
- d) **Store idle power tools out of the reach of children and do not allow persons unfamiliar with the power tool or these instructions to operate the power tool.** Power tools are dangerous in the hands of untrained users.
- e) **Maintain power tools. Check for misalignment or binding of moving parts, breakage of parts and any other condition that may affect the power tool's operation. If damaged, have the power tool repaired before use.** Many accidents are caused by poorly maintained power tools.
- f) **Keep cutting tools sharp and clean.** Properly maintained cutting tools with sharp cutting edges are less likely to bind and are easier to control.
- g) **Use the power tool, accessories and tool bits etc., in accordance with these instructions taking into account the working conditions and the work to be performed.** Use of the power tool for operations different from those intended could result in a hazardous situation.

#### 5) Service

- a) **Have your power tool serviced by a qualified repair person using only identical replacement parts.** This will ensure that the safety of the power tool is maintained.

## Safety Instructions for Heat Guns

A fire may result if the appliance is not used with care, therefore:

- Heat may be conducted to combustible materials that are out of sight. **DO NOT** use in a damp atmosphere, where flammable gases may be present or near combustible materials.
- **DO NOT** apply to the same place for a long time.
- **DO NOT** use in presence of an explosive atmosphere.
- Place the appliance on its stand after use and allow it to cool down before storage.
- **DO NOT** leave the tool unattended while it is switched on.
- **DO NOT** place your hand over the air vents or block the vents in any way.
- The nozzle and accessories of this tool become extremely hot during use. Let these parts cool down before touching.
- **ALWAYS** switch the tool off before putting it down.
- This appliance is not intended for use by persons (including children) with reduced physical, sensory or mental capabilities, or lack of experience and knowledge, unless they have been given supervision or instruction concerning use of the appliance by a person responsible for their safety.
- Ensure adequate ventilation as toxic fumes may be produced.
- **DO NOT** use as a hair dryer.
- **DO NOT** obstruct either the air intake or nozzle outlet, as this may cause excessive heat build up resulting in damage to the tool.
- **DO NOT** direct the hot air blast at other people.
- **DO NOT** touch the metal nozzle as it becomes very hot during use and remains hot for up to 30 minutes after use.
- **DO NOT** place the nozzle against anything while using or immediately after use.
- **DO NOT** poke anything down the nozzle as it could give you an electric shock. Do not look down the nozzle while the unit is working because of the high temperatures being produced.
- **DO NOT** allow paint to adhere to the nozzle or scraper as it could ignite after some time.
- **DO NOT** remove the heat barrel cover during use.

## Additional Safety Warnings for Heat Guns

- To reduce the risk of explosion, **DO NOT** use in paint spray booths or within 3.0 m of paint spraying operations.
- **DO NOT use this tool to remove paint containing lead.** The peeling, residue and vapors of paint may contain lead which is poisonous.
- Hidden areas such as behind walls, ceilings, floors, soffit boards and other panels may contain flammable materials that could be ignited by the heat gun when working in these locations. The ignition of these materials may not be readily apparent and could result in property damage and injury to persons. When working in these locations, keep the heat gun moving in a back-and-forth motion. Lingering or pausing in one spot could ignite the panel or the material behind it.  
**NOTE:** These heat guns are capable of producing temperatures in excess of 550 °C.
- **DO NOT** use this tool to heat food.

- **DO NOT** lay the heat gun on flammable surfaces when operating the gun or immediately after shutting it off.
  - Keep moveable items secured and steady while scraping.
  - Be sure to direct the hot air blast in a safe direction; away from other people or flammable objects.
  - **KEEP FINGERS AWAY FROM METAL NOZZLE**; it becomes very hot during use and remains hot for 30 minutes after use. Wear gloves to protect hands.
  - **ALWAYS** keep nozzle away from cord.
  - Splinters and small particles of stripped paint can be ignited and blown through holes and cracks in the surface being stripped.
  - **DO NOT** burn the paint. Use the scraper provided and keep the nozzle at least 25 mm away from the painted surface. When working in a vertical direction, work downwards to prevent paint from falling into the tool and burning.
  - **ALWAYS** use good quality scrapers and stripping knives.
  - **DO NOT** use the heat gun in combination with chemical strippers.
  - **DO NOT** use accessory nozzles as scrapers.
  - **DO NOT** direct heatgun airflow directly on glass. The glass may crack and could result in property damage or personal injury.
  - Maintain labels and nameplates. These carry important information.
  - Place the heat gun on a stable, level surface when not hand held. Place the cord in a position that won't cause the heat gun to tip over.
  - Be constantly aware that this tool can ignite flammable materials, soften or melt others. Regardless of the task you are performing, shield or keep the heat gun away from these materials.
  - You may occasionally notice some slight smoking of the tool after it is turned off. This is the result of heating the residual oil that was deposited on the heating element during the manufacturing process.
  - **Use eye protection and other safety equipment.**
4. Work in one room at a time. Furnishings should be removed or placed in the center of the room and covered. Work areas should be sealed off from the rest of the dwelling by sealing doorways with drop cloths.
  5. Children, pregnant or potentially pregnant women and nursing mothers should not be present in the work area until the work is done and all clean up is complete.
  6. Wear a dust respirator mask or a dual filter (dust and fume) respirator mask. Be sure the mask fits. Beards and facial hair may keep masks from sealing properly. Change filters often. **DISPOSABLE PAPER MASKS ARE NOT ADEQUATE.**
  7. Use caution when operating the heat gun. Keep the heat gun moving as excessive heat will generate fumes which can be inhaled by the operator.
  8. Keep food and drink out of the work area. Wash hands, arms and face and rinse mouth before eating or drinking. Do not smoke or chew gum or tobacco in the work area.
  9. Clean up all removed paint and dust by wet mopping the floors. Use a wet cloth to clean all walls, sills and any other surface where paint or dust is clinging. **DO NOT SWEEP, DRY DUST OR VACUUM.** Use a high phosphate detergent or trisodium phosphate (TSP) to wash and mop areas.
  10. At the end of each work session put the paint chips and debris in a double plastic bag, close it with tape or twist ties and dispose of properly.
  11. Remove protective clothing and work shoes in the work area to avoid carrying dust into the rest of the dwelling. Wash work clothes separately. Wipe shoes off with a wet rag that is then washed with the work clothes. Wash hair and body thoroughly with soap and water.

## IMPORTANT NOTICE

In order for this tool to be an effective paint stripper, it must produce extremely high temperatures. As a consequence, the stripper is capable of igniting paper, wood, paint and varnish residue and similar materials.

As you become more familiar with the tool and develop the proper technique, the danger of accidental ignition will be greatly reduced. In establishing the proper technique, the best thing to do is PRACTICE! Work on simple stripping projects, preferably outdoors, until you get a "feel" for how to use your stripper safely and effectively.

## As you Practice, Observe the Following Procedures for Safety

- Always be sure the tool is turned off and disconnected from power supply when unattended.
- Clean the scraper blade often during use. Built up residue on the blade is highly flammable.
- Experiment to find the optimum distance from the tool's nozzle to the surface being stripped. This distance 25.4 mm–50.8 mm will vary depending on the material being removed.
- Keep the heat gun moving ahead of the scraper blade at all times.
- As you work, clean up loose pieces of paint as they accumulate around the work area.
- When working indoors, keep away from curtains, papers, upholstery and similar flammable materials.

## Removing Paint



**WARNING:** Extreme care should be taken when stripping paint.

Before beginning any paint removal process you should determine whether the paint you are removing contains lead. **LEAD-BASED PAINT SHOULD ONLY BE REMOVED BY A PROFESSIONAL AND SHOULD NOT BE REMOVED USING A HEAT GUN.**

Persons removing paint should follow these guidelines:

1. Move the workpiece outdoors. If this is not possible, keep the work area well ventilated. Open the windows and put an exhaust fan in one of them. Be sure the fan is moving the air from inside to outside.
2. Remove or cover any carpets, rugs, furniture, clothing, cooking utensils and air ducts.
3. Place drop cloths in the work area to catch any paint chips or peelings. Wear protective clothing such as extra work shirts, overalls and hats.

- Above all, remember that this is a serious tool that is capable of producing excellent results when used properly. Practice on simple projects until you feel comfortable with your stripper. Only then will you have mastered the proper technique.

## Residual Risks



**WARNING:** We recommend the use of a residual current device with a residual current rating of 30mA or less.

In spite of the application of the relevant safety regulations and the implementation of safety devices, certain residual risks cannot be avoided. These are:

- Impairment of hearing.
- Risk of personal injury due to flying particles.
- Risk of burns due to accessories becoming hot during operation.
- Risk of personal injury due to prolonged use.

### SAVE THESE INSTRUCTIONS

## Electrical Safety

The electric motor has been designed for one voltage only. Always check that the power supply corresponds to the voltage on the rating plate.



Your BLACK+DECKER tool is double insulated in accordance with EN60355; therefore no earth wire is required.

If the supply cord is damaged, it must be replaced only by BLACK+DECKER or an authorised service organisation.

## Mains Plug Replacement (U.K. & Ireland Only)

If a new mains plug needs to be fitted:

- Safely dispose of the old plug.
- Connect the brown lead to the live terminal in the plug.
- Connect the blue lead to the neutral terminal.



**WARNING:** No connection is to be made to the earth terminal.

Follow the fitting instructions supplied with good quality plugs. Recommended fuse: 13 A.

## Using an Extension Cable

If an extension cable is required, use an approved 3-core extension cable suitable for the power input of this tool (see **Technical Data**). The minimum conductor size is 1.5 mm<sup>2</sup>; the maximum length is 30 m.

When using a cable reel, always unwind the cable completely.

## Package Contents

The package contains:

- 1 Heat gun
- 1 Accessory
- 1 Instruction manual
- Check for damage to the tool, parts or accessories which may have occurred during transport.
- Take the time to thoroughly read and understand this manual prior to operation.

## Date Code Position (Fig. A)

The date code **4**, which also includes the year of manufacture, is printed into the housing.

Example:

2021 XX XX

Year and Week of Manufacture

## Description (Fig. A)



**WARNING:** Never modify the power tool or any part of it. Damage or personal injury could result.

- 1 On/off switch
- 2 Heat control knob
- 3 Nozzle
- 4 Date code

## Intended Use

Your heat gun has been designed for stripping paint, soldering pipes, shrinking PVC, welding and bending plastics as well as general drying and thawing purposes.

**DO NOT** use under wet conditions or in the presence of flammable liquids or gases.

The heat gun is a professional power tool.

**DO NOT** let children come into contact with the tool. Supervision is required when inexperienced operators use this tool.

- **Young children and the infirm.** This appliance is not intended for use by young children or infirm persons without supervision.
- This product is not intended for use by persons (including children) suffering from diminished physical, sensory or mental abilities; lack of experience, knowledge or skills unless they are supervised by a person responsible for their safety. Children should never be left alone with this product.

## ASSEMBLY AND ADJUSTMENTS



**WARNING:** To reduce the risk of serious personal injury, turn tool off and disconnect tool from power source before making any adjustments or removing/installing attachments or accessories. Be sure the trigger switch is in the OFF position. An accidental start-up can cause injury.

## Fitting an Accessory (Fig. A, D, E, F, G)

- A selected range of accessories can be obtained from your local retailer.
  - **Cone nozzle 6:** Concentrates the air stream on a smaller area.
  - **Fish tail 7:** Spreads the air stream over a wider area.
  - **Spoon reflector 8:** For soldering pipes.
  - **Glass protector 9:** For the protection of glass during paint stripping.
  - **Scraper 10:** For the removal and stripping paint and varnish.
- Fit the connecting piece of the accessory over the nozzle **3**.



## OPERATION

### Instructions for Use



**WARNING:** Always observe the safety instructions and applicable regulations.



**WARNING:** To reduce the risk of serious personal injury, turn tool off and disconnect tool from power source before making any adjustments or removing/installing attachments or accessories. An accidental start-up can cause injury.




**WARNING:** Make sure the nozzle always points away from you and any bystanders.




**WARNING:** DO NOT drop anything into the nozzle.

### Setting the Temperature (Fig. B)

- To increase the temperature setting, turn the heat control knob  clockwise.
- To reduce the temperature setting, turn the heat control knob counterclockwise.

### Switching On and Off (Fig. A)


- To switch the tool on at the low air speed, low heat, set the on/off switch  to position I.
- To switch the tool on at the high air speed, high heat, set the on/off switch to position II.
- To switch the tool off, set the on/off switch to position O.

### Using the Tool

Your tool is fitted with a thermostat for your safety. Using the tool continuously for very long periods or other severe duty cycles may cause the tool to overheat and the element to stop working. It is therefore recommended that you allow the tool to cool down at regular intervals during use.

- Allow the tool to heat up for a few seconds before use.
- At first use some smoke may emit from the nozzle. This is normal and will soon decrease.
- Use a low temperature setting for drying paint and varnish, removing stickers, shrinking insulation tubes, and thawing frozen pipes.
- Use a medium temperature setting for welding plastics, bending plastic pipes, and loosening tight nuts and screws.
- Use a high temperature setting for removing paints and lacquers, and soldering plumbing joints.
- If you are unsure about using this tool on a particular material, start with a low temperature setting and perform a test on scrap material.

### Hands Free Use (Fig. C)

The tool has stand locations  to facilitate hands free use.

- Place the tool with the nozzle up on a surface where it cannot be tipped over.
- Secure the cable to prevent pulling the tool off the stand locations.



**WARNING:** Always point the tool away from yourself or other persons. Do not touch the nozzle. Take care that no material drops into the nozzle.

### Paint Stripping



**WARNING:** Refer to **Important Notice under Additional Safety Instructions for Heat Guns** before using the tool to remove paint.



**WARNING:** Do not strip metal window frames as the heat may crack the glass.

- When stripping other window frames, use a glass protection nozzle.
- To prevent igniting the surface, do not keep the tool directed at one spot too long.
- Avoid collecting paint on the scraper accessory, as it may ignite. If necessary, carefully remove paint debris from the scraper accessory using a knife.
- Direct the hot air at the working area to heat up the paint.
- Do not burn the paint. Keep the nozzle at least 25 mm from the surface.
- When the paint softens, remove the paint using a scraper. Scrape the softened paint immediately or it will harden again.
- Scrape with the grain of the wood wherever possible.
- Do not allow paint and debris to collect on the scraper.
- When scraping from a vertical position, scrape downwards to prevent the paint from falling back into the nozzle.
- When stripping paint from a surface next to glass, take the necessary measures to protect the glass from the heat.
- Dispose of all paint debris safely and make sure that the work area is thoroughly clean after use.

**REMEMBER:** Splinters and small particles of stripped paint can be ignited and blown through holes and cracks in the surface being stripped.

### Cool Down Period

The nozzle and accessory becomes very hot during use. Turn heat gun off, disconnect from the power source and let the tool cool down for at least 30 minutes before moving or storing it.

**NOTE:** To reduce the cooling time, switch the tool on at the lowest air temperature setting and let it run for a few minutes before turning the heat gun off.

### MAINTENANCE

Your power tool has been designed to operate over a long period of time with a minimum of maintenance. Continuous satisfactory operation depends upon proper tool care and regular cleaning.



**WARNING:** To reduce the risk of serious personal injury, turn tool off and disconnect tool from power source before making any adjustments or removing/installing attachments or accessories. An accidental start-up can cause injury.



## Lubrication

Your power tool requires no additional lubrication.



## Cleaning



**WARNING:** Blow dirt and dust out of the main housing with dry air as often as dirt is seen collecting in and around the air vents. Wear approved eye protection and approved dust mask when performing this procedure.



**WARNING:** Never use solvents or other harsh chemicals for cleaning the non-metallic parts of the tool. These chemicals may weaken the materials used in these parts. Use a cloth dampened only with water and mild soap. Never let any liquid get inside the tool; never immerse any part of the tool into a liquid.

## Optional Accessories



**WARNING:** Since accessories, other than those offered by BLACK+DECKER, have not been tested with this product, use of such accessories with this tool could be hazardous. To reduce the risk of injury, only BLACK+DECKER recommended accessories should be used with this product.

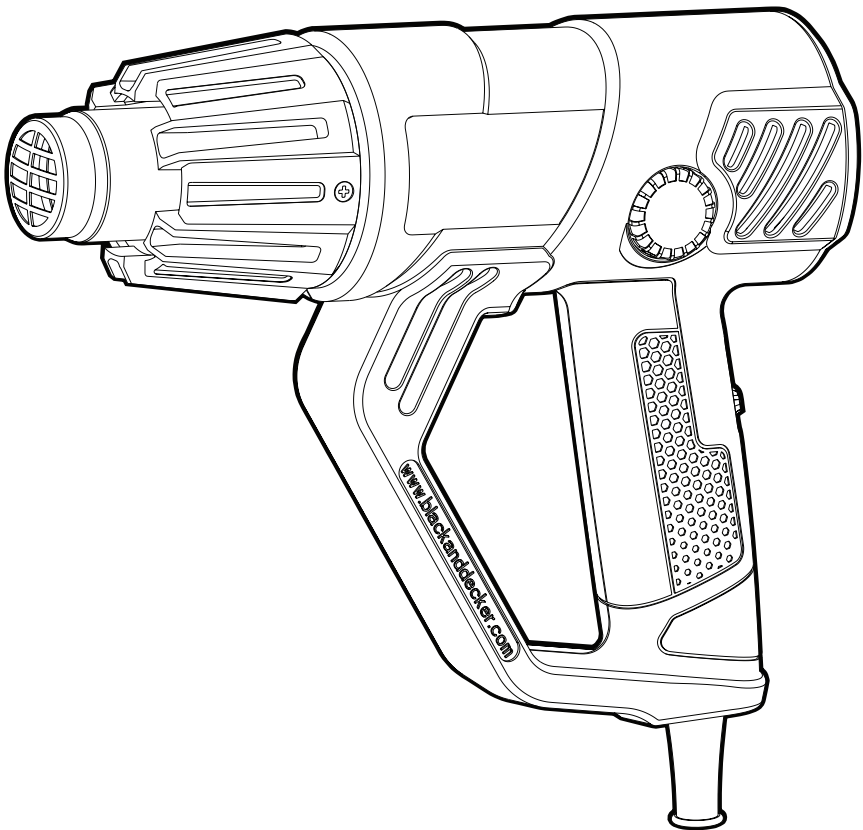
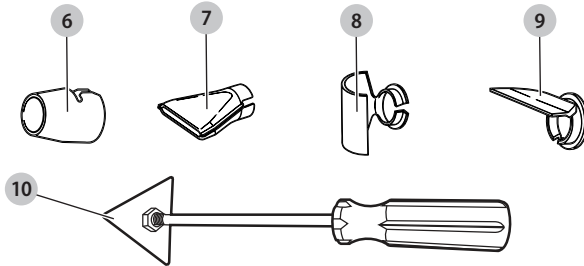
Consult your dealer for further information on the appropriate accessories.

## Protecting the Environment



Separate collection. Products marked with this symbol must not be disposed of with normal household waste.

■ Products contain materials that can be recovered or recycled reducing the demand for raw materials. Please recycle electrical products according to local provisions. Further information is available at [www.2helpU.com](http://www.2helpU.com).



---

## DO NOT FORGET TO REGISTER YOUR PRODUCT!

[www.blackanddecker.co.uk/productregistration](http://www.blackanddecker.co.uk/productregistration)

Register your product online at [www.blackanddecker.co.uk/productregistration](http://www.blackanddecker.co.uk/productregistration)  
or send your name, surname and product code to BLACK+DECKER in your country.

### **Australia**

Black & Decker (Australia) Pty. Ltd.      Tel. 03-8720 5100  
810 Whitehorse Road, Box Hill,      Fax 03-9727 5940  
Victoria 3128, Australia

### **New Zealand**

Black & Decker      Tel. +64 9 259 1133  
5 Te Apunga Place      Fax +64 9 259 1122  
Mt Wellington  
Auckland 1060

### **United Kingdom**

Black & Decker      Tel. 01753 511234  
270 Bath Road      Fax 01753 551155  
Slough, Berkshire SL14DX      Helpline 01753 574277