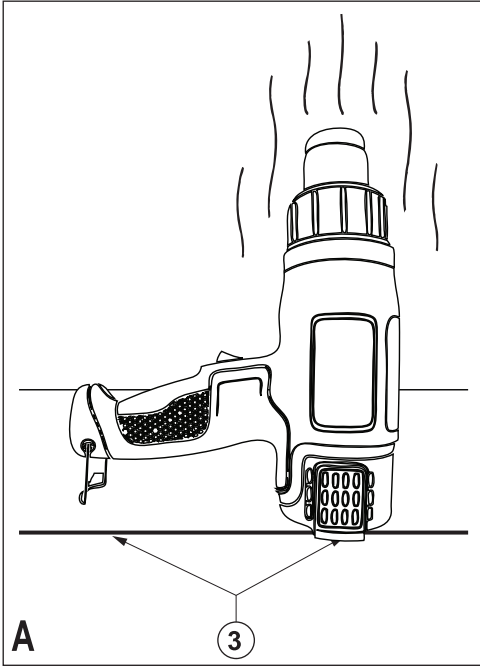


English	(Original instructions)	4
Deutsch	(Übersetzung der Originalanleitung)	9
Français	(Traduction des instructions d'origine)	15
Česky	(Přeloženo z původního návodu)	20
Magyar	(Fordítás az eredeti kezelési utasítás alapján készült)	25
Polski	(Tłumaczenie oryginalnej instrukcji)	31
Slovenčina	(Preložené z pôvodného návodu)	37
Русский язык	(Перевод с оригинала инструкции)	42
Українська	(Переклад оригінальних інструкцій)	49
Türkçe	(Çevirisi orijinal talimatlardan yapılmıştır)	56



Intended use

Your Black & Decker heat gun has been designed for various heating applications such as paint stripping. This product is intended for consumer use and indoor use only.

Safety instructions

General power tool safety warnings



Warning! Read all safety warnings and all instructions. Failure to follow the warnings and instructions listed below may result in electric shock, fire and/or serious injury.

Save all warnings and instructions for future reference. The term “power tool” in all of the warnings listed below refers to your mains operated (corded) power tool or battery operated (cordless) power tool.

1. Work area safety

- a. **Keep work area clean and well lit.** Cluttered or dark areas invite accidents.
- b. **Do not operate power tools in explosive atmospheres, such as in the presence of flammable liquids, gases or dust.** Power tools create sparks which may ignite the dust or fumes.
- c. **Keep children and bystanders away while operating a power tool.** Distractions can cause you to lose control.

2. Electrical safety

- a. **Power tool plugs must match the outlet. Never modify the plug in any way. Do not use any adapter plugs with earthed (grounded) power tools.** Unmodified plugs and matching outlets will reduce risk of electric shock.
- b. **Avoid body contact with earthed or grounded surfaces such as pipes, radiators, ranges and refrigerators.** There is an increased risk of electric shock if your body is earthed or grounded.
- c. **Do not expose power tools to rain or wet conditions.** Water entering a power tool will increase the risk of electric shock.
- d. **Do not abuse the cord. Never use the cord for carrying, pulling or unplugging the power tool. Keep cord away from heat, oil, sharp edges or moving parts.** Damaged or entangled cords increase the risk of electric shock.
- e. **When operating a power tool outdoors, use an extension cord suitable for outdoor use.** Use of a cord suitable for outdoor use reduces the risk of electric shock.
- f. **If operating a power tool in a damp location is unavoidable, use a residual current de-**

vice (RCD) protected supply. Use of an RCD reduces the risk of electric shock.

3. Personal safety

- a. **Stay alert, watch what you are doing and use common sense when operating a power tool. Do not use a power tool while you are tired or under the influence of drugs, alcohol or medication.** A moment of inattention while operating power tools may result in serious personal injury.
 - b. **Use personal protective equipment. Always wear eye protection.** Protective equipment such as dust mask, non-skid safety shoes, hard hat, or hearing protection used for appropriate conditions will reduce personal injuries.
 - c. **Prevent unintentional starting. Ensure the switch is in the off-position before connecting to power source and/or battery pack, picking up or carrying the tool.** Carrying power tools with your finger on the switch or energising power tools that have the switch on invites accidents.
 - d. **Remove any adjusting key or wrench before turning the power tool on.** A wrench or a key left attached to a rotating part of the power tool may result in personal injury.
 - e. **Do not overreach. Keep proper footing and balance at all times.** This enables better control of the power tool in unexpected situations.
 - f. **Dress properly. Do not wear loose clothing or jewellery. Keep your hair, clothing and gloves away from moving parts.** Loose clothes, jewellery or long hair can be caught in moving parts.
 - g. **If devices are provided for the connection of dust extraction and collection facilities, ensure these are connected and properly used.** Use of dust collection can reduce dust-related hazards.
- #### 4. Power tool use and care
- a. **Do not force the power tool. Use the correct power tool for your application.** The correct power tool will do the job better and safer at the rate for which it was designed.
 - b. **Do not use the power tool if the switch does not turn it on and off.** Any power tool that cannot be controlled with the switch is dangerous and must be repaired.
 - c. **Disconnect the plug from the power source and/or the battery pack from the power tool before making any adjustments, changing accessories, or storing power tools.** Such preventive safety measures reduce the risk of starting the power tool accidentally.

- d. **Store idle power tools out of the reach of children and do not allow persons unfamiliar with the power tool or these instructions to operate the power tool.** Power tools are dangerous in the hands of untrained users.
- e. **Maintain power tools. Check for misalignment or binding of moving parts, breakage of parts and any other condition that may affect the power tools operation. If damaged, have the power tool repaired before use.** Many accidents are caused by poorly maintained power tools.
- f. **Keep cutting tools sharp and clean.** Properly maintained cutting tools with sharp cutting edges are less likely to bind and are easier to control.
- g. **Use the power tool, accessories and tool bits etc. in accordance with these instructions, taking into account the working conditions and the work to be performed.** Use of the power tool for operations different from those intended could result in a hazardous situation.
5. **Service**
- a. **Have your power tool serviced by a qualified repair person using only identical replacement parts.** This will ensure that the safety of the power tool is maintained.

Additional power tool safety warnings



Warning! Additional safety instructions for heat guns.

Warning: Do not use outdoors, indoor use only.

Warning: This appliance must be placed on its stand when not in use.

Warning: A fire may result if the appliance is not used with care, therefore be careful when using the appliance in places where there are combustible materials.

- ◆ Do not apply heat to the same place for a long time.
- ◆ Do not use in presence of an explosive atmosphere.
- ◆ Be aware that heat may be conducted to combustible materials that are out of sight.
- ◆ Place the appliance on its stand after use and allow it to cool down before storage.
- ◆ Do not leave the appliance unattended when it is switched on.
- ◆ Do not obstruct either the air intake slots or the nozzle outlet as this may cause excessive heat build up resulting in damage to the appliance.
- ◆ Do not direct the hot air flow at other people or animals.

- ◆ Do not touch the nozzle as it becomes very hot during use and remains hot for up to 30 minutes after use.
- ◆ Do not place the nozzle against any object during or immediately after use.
- ◆ Do not poke anything down the nozzle as it could give you an electric shock.
- ◆ Do not look down the nozzle while the appliance is switched on.
- ◆ Do not use the appliance as a hair dryer! The air temperature is far higher than a hardware.
- ◆ Ensure adequate ventilation during use as toxic fumes may be produced.
- ◆ Do not use the appliance in a damp atmosphere.
- ◆ When stripping paint, ensure that the work area is enclosed. Wear a dust mask specifically designed for protection against lead paint dust and fumes and ensure that persons within or entering the work area are also protected.
- ◆ Do not burn paint, as it could cause a fire hazard.
- ◆ Do not allow paint to adhere to the nozzle as it could ignite after some time.
- ◆ Switch off the appliance and allow it to cool before fitting any accessory.

Stripping lead-based paint

- ◆ Extreme care should be taken when stripping paint. The peelings, residue and vapours of paint may contain lead, which is poisonous. Any pre-1960 building may in the past have been painted with paint containing lead. This paint may be covered with additional layers of paint. Once deposited on surfaces, hand to mouth contact can result in the ingestion of lead.
- ◆ Exposures to even low levels of lead can cause irreversible brain and nervous system damage. The greatest danger of lead poisoning is to children and pregnant women.
- ◆ Before starting work, it is important to determine whether the paint to be stripped contains lead. This can be done using a test kit or by a professional decorator. Do not smoke, eat or drink in a work area that could or may be contaminated by lead. Lead based paints should only be removed by a professional and should not be removed using a heat gun.

Safety of others

- ◆ This appliance is not intended for use by persons (including children) with reduced physical, sensory or mental capabilities, or lack of experience and knowledge, unless they have been given supervision or instruction concerning use of the appliance by a person responsible for their safety.

- ◆ Children should be supervised to ensure that they do not play with the appliance.

Residual risks.

Additional residual risks may arise when using the tool which may not be included in the enclosed safety warnings. These risks can arise from misuse, prolonged use etc.

Even with the application of the relevant safety regulations and the implementation of safety devices, certain residual risks can not be avoided. These include:

- ◆ **Injuries caused by touching any rotating/moving parts.**
- ◆ **Injuries caused when changing any parts, blades or accessories.**
- ◆ **Injuries caused by prolonged use of a tool. When using any tool for prolonged periods ensure you take regular breaks.**
- ◆ **Impairment of hearing.**
- ◆ **Health hazards caused by breathing dust developed when using your tool (example:- working with wood, especially oak, beech and MDF.)**

Labels on tool

The following pictograms are shown on the tool:



Warning! To reduce the risk of injury, the user must read the instruction manual.

Electrical safety



This tool is double insulated; therefore no earth wire is required. Always check that the power supply corresponds to the voltage on the rating plate.

- ◆ If the supply cord is damaged, it must be replaced by the manufacturer or an authorised Black & Decker Service Centre in order to avoid a hazard.

Extension cables

- ◆ A 2 or 3 core cable may be used as the appliance is double insulated and of class II construction.
- ◆ Up to 30m (100 ft) can be used without loss of power.

Features

This tool includes some or all of the following features.

1. On/off switch
2. Nozzle

Assembly

Warning! Before assembly, make sure that the tool is switched off and unplugged.

Fitting an accessory

A selected range of accessories can be obtained from your local retailer.

- **Cone nozzle:** Concentrates the air stream on a smaller area.
 - **Fish tail:** Spreads the air stream over a wider area
 - **Spoon reflector:** For soldering pipes.
 - **Glass protector:** For the protection of glass during paint stripping.
 - **Scraper:** For the removal and stripping paint and varnish.
- ◆ Fit the connecting piece of the accessory over the nozzle (2).

Use

Switching on and off

- ◆ To switch the tool on at the low air speed, low heat, set the on/off switch to position I.
- ◆ To switch the tool on at the high air speed, high heat, set the on/off switch to position II.
- ◆ To switch the tool off, set the on/off switch to position O.

Using the tool

Your tool is fitted with a thermostat for your safety. Using the tool continuously for very long periods or other severe duty cycles may cause the tool to overheat and stop working. It is therefore recommended that you allow the tool to cool down at regular intervals during use.

- ◆ Allow the tool to heat up for a few seconds before use.
- ◆ At first use some smoke may emit from the nozzle. This is normal and will soon decrease.
- ◆ Use a low temperature setting for drying paint and varnish, removing stickers, shrinking insulation tubes, and thawing frozen pipes.
- ◆ Use a high temperature setting for removing paints and lacquers, and soldering plumbing joints.
- ◆ If you are unsure about using this tool on a particular material, start with a low temperature setting and perform a test on scrap material.

Hands free use (fig. A)

The tool has stand locations (3) to facilitate hands free use.

- ◆ Place the tool with the nozzle up on a surface where it cannot be tipped over.

- ◆ Secure the cable to prevent pulling the tool over.
- Warning!** Always point the tool away from yourself or other persons. Do not touch the nozzle. Take care that no material drops into the nozzle.

Paint stripping

- ◆ Direct the hot air at the working area to heat up the paint.
- ◆ Do not burn the paint. Keep the nozzle at least 25 mm from the surface.
- ◆ When the paint softens, remove the paint using a scraper. Scrape the softened paint immediately or it will harden again.
- ◆ Scrape with the grain of the wood wherever possible.
- ◆ Do not allow paint and debris to collect on the scraper.
- ◆ When scraping from a vertical position, scrape downwards to prevent the paint from falling back into the nozzle.
- ◆ When stripping paint from a surface next to glass, take the necessary measures to protect the glass from the heat.

Warning! Use a glass protector nozzle when stripping paint from metal or wood framed windows.

- ◆ Dispose of all paint debris safely and make sure that the work area is thoroughly clean after use.

Cooling down

During use, the nozzle of the tool becomes extremely hot. After switching off, leave the tool to cool down for at least 30 minutes.

- ◆ Place the tool with the nozzle up on a surface where it cannot be tipped over.
- ◆ To speed up the cooling time, run the tool on a low minimum temperature setting for a few minutes before switching off.

Maintenance

Your Black & Decker appliance has been designed to operate over a long period of time with a minimum of maintenance. Continuous satisfactory operation depends upon proper care and regular cleaning of the appliance.

Warning! Switch off and unplug the appliance and allow it to cool down before doing any maintenance on the appliance.

- ◆ Regularly clean the ventilation slots in your appliance using a soft brush or dry cloth.
- ◆ To clean the appliance, use only mild soap and a damp cloth. Do not use any abrasive or solvent-based cleaner. Never let any liquid get inside the appliance and never immerse any part of the appliance into liquid.

Mains plug replacement (U.K. & Ireland only)

If a new mains plug needs to be fitted:

- ◆ Safely dispose of the old plug.
- ◆ Connect the brown lead to the live terminal in the new plug.
- ◆ Connect the blue lead to the neutral terminal.

Warning! No connection is to be made to the earth terminal. Follow the fitting instructions supplied with good quality plugs. Recommended fuse: 13 A.

Protecting the environment



Separate collection. This product must not be disposed of with normal household waste.

Should you find one day that your Black & Decker product needs replacement, or if it is of no further use to you, do not dispose of it with household waste. Make this product available for separate collection.



Separate collection of used products and packaging allows materials to be recycled and used again. Re-use of recycled materials helps prevent environmental pollution and reduces the demand for raw materials.

Local regulations may provide for separate collection of electrical products from the household, at municipal waste sites or by the retailer when you purchase a new product.

Black & Decker provides a facility for the collection and recycling of Black & Decker products once they have reached the end of their working life. To take advantage of this service please return your product to any authorised repair agent who will collect them on our behalf.

You can check the location of your nearest authorised repair agent by contacting your local Black & Decker office at the address indicated in this manual. Alternatively, a list of authorised Black & Decker repair agents and full details of our after-sales service and contacts are available on the Internet at: **www.2helpU.com**

Technical data

	KX1650 (Type 1)
Input voltage	V _{ac} 230
Construction	Class II
Power input	W 1750
Temperature range	°C 460 - 600
Weight	kg 0.6

Guarantee

Black & Decker is confident of the quality of its products and offers an outstanding guarantee. This guarantee statement is in addition to and in no way prejudices your statutory rights. The guarantee is valid within the territories of the Member States of the European Union and the European Free Trade Area.

If a Black & Decker product becomes defective due to faulty materials, workmanship or lack of conformity, within 24 months from the date of purchase, Black & Decker guarantees to replace defective parts, repair products subjected to fair wear and tear or replace such products to ensure minimum inconvenience to the customer unless:

- ◆ The product has been used for trade, professional or hire purposes;
- ◆ The product has been subjected to misuse or neglect;
- ◆ The product has sustained damage through foreign objects, substances or accidents;
- ◆ Repairs have been attempted by persons other than authorised repair agents or Black & Decker service staff.

To claim on the guarantee, you will need to submit proof of purchase to the seller or an authorised repair agent. You can check the location of your nearest authorised repair agent by contacting your local Black & Decker office at the address indicated in this manual. Alternatively, a list of authorised Black & Decker repair agents and full details of our after-sales service and contacts are available on the Internet at: **www.2helpU.com**

Please visit our website

www.blackanddecker.co.uk to register your new Black & Decker product and to be kept up to date on new products and special offers. Further information on the Black & Decker brand and our range of products is available at **www.blackanddecker.co.uk**

Bestimmungsgemäße Verwendung

Die Black & Decker Heißluftpistole wurde für verschiedene Heißluftanwendungen, wie z. B. das Entfernen von Farbe, entwickelt. Dieses Gerät ist weder für den gewerblichen Einsatz noch für den Einsatz im Freien vorgesehen.

Sicherheitshinweise

Allgemeine Sicherheitswarnungen für das Gerät



Achtung! Lesen Sie sämtliche Sicherheitswarnungen und Anweisungen. Die Nichteinhaltung der nachstehend aufgeführten Warnungen und Anweisungen kann einen elektrischen Schlag, Brand und/oder schwere Verletzungen verursachen.

Bewahren Sie alle Sicherheitswarnungen und Anweisungen gut auf. Der nachfolgend verwendete Begriff „Gerät“ bezieht sich auf netzbetriebene Geräte (mit Netzkabel) und auf akkubetriebene Geräte (ohne Netzkabel).

1. Sicherheit im Arbeitsbereich

- a. **Halten Sie Ihren Arbeitsbereich sauber, und sorgen Sie für ausreichende Beleuchtung.** Unordnung oder dunkle Arbeitsbereiche können zu Unfällen führen.
- b. **Verwenden Sie die Geräte nicht in Umgebungen, in denen Explosionsgefahr z. B. aufgrund von brennbaren Flüssigkeiten, Gasen oder Staub besteht.** Geräte erzeugen Funken, die den Staub oder die Dämpfe entzünden können.
- c. **Halten Sie Kinder und andere Personen während der Benutzung eines Geräts fern.** Bei Ablenkung können Sie die Kontrolle verlieren.

2. Elektrische Sicherheit

- a. **Der Netzstecker des Geräts muss in die Steckdose passen. Der Stecker darf in keiner Weise verändert werden. Verwenden Sie für geschützte Geräte keine Adapterstecker.** Unveränderte Stecker und passende Steckdosen verringern das Risiko eines elektrischen Schlags.
- b. **Vermeiden Sie Körperkontakt mit geerdeten Oberflächen von Rohren, Heizungen, Herden und Kühlschränken.** Es besteht ein erhöhtes Risiko eines elektrischen Schlags, wenn Ihr Körper geerdet ist.
- c. **Halten Sie Geräte von Regen und Feuchtigkeit fern.** Das Eindringen von Wasser in ein Gerät erhöht das Risiko eines elektrischen Schlags.

- d. **Verwenden Sie das Kabel ordnungsgemäß. Verwenden Sie es niemals zum Tragen. Trennen Sie das Gerät nicht durch Ziehen am Kabel vom Netz. Halten Sie das Kabel fern von Hitze, Öl, scharfen Kanten oder sich bewegenden Teilen.** Beschädigte oder verwickelte Kabel erhöhen das Risiko eines elektrischen Schlags.
- e. **Verwenden Sie nur für den Außenbereich zugelassene Verlängerungskabel, wenn Sie mit dem Gerät im Freien arbeiten.** Die Verwendung eines für den Außenbereich geeigneten Verlängerungskabels verringert das Risiko eines elektrischen Schlags.
- f. **Wenn das Gerät in einer feuchten Umgebung verwendet werden muss, schließen Sie es unbedingt an eine Steckdose mit Fehlerstromschutzschalter (RCD).** Die Verwendung eines Fehlerstromschutzschalters verringert das Risiko eines elektrischen Schlags.

3. Sicherheit von Personen

- a. **Verwenden Sie das Gerät aufmerksam und vernünftig. Benutzen Sie das Gerät nicht, wenn Sie müde sind oder unter dem Einfluss von Drogen, Alkohol oder Medikamenten stehen.** Ein Moment der Unachtsamkeit beim Gebrauch von Geräten kann zu ernsthaften Verletzungen führen.
- b. **Verwenden Sie eine geeignete Schutzausrüstung. Tragen Sie stets eine Schutzbrille.** Schutzausrüstung wie Staubmaske, rutschfeste Sicherheitsschuhe, Schutzhelm oder Gehörschutz, je nach Art und Einsatz des Geräts, verringert das Risiko von Verletzungen.
- c. **Vermeiden Sie eine unbeabsichtigte Inbetriebnahme. Vergewissern Sie sich, dass das Gerät ausgeschaltet ist, bevor Sie es an eine Steckdose oder einen Akku anschließen, es hochheben oder tragen.** Durch das Tragen des Geräts mit dem Finger am Schalter oder durch das Anschließen eingeschalteter Geräte werden Unfälle provoziert.
- d. **Entfernen Sie Einstell- oder Schraubenschlüssel, bevor Sie das Gerät einschalten.** Ein Schlüssel in einem sich drehenden Teil kann zu Verletzungen führen.
- e. **Beugen Sie sich nicht zu weit nach vorne über. Achten Sie auf einen sicheren Stand, um in jeder Arbeitsposition das Gleichgewicht zu halten.** Dadurch können Sie das Gerät in unerwarteten Situationen besser unter Kontrolle halten.
- f. **Tragen Sie geeignete Kleidung. Tragen Sie keine weite Kleidung oder Schmuck. Halten**

Die Haare, Kleidung und Handschuhe fern von sich bewegenden Teilen. Lockere Kleidung, Schmuck oder lange Haare können von sich bewegenden Teilen erfasst werden.

g. Falls Staubabsaug- und -fangvorrichtungen vorhanden sind, vergewissern Sie sich, dass diese angeschlossen sind und richtig verwendet werden. Das Verwenden einer Staubauffangvorrichtung verringert Gefährdungen durch Staub.

4. Gebrauch und Pflege von Geräten

a. Überlasten Sie das Gerät nicht. Verwenden Sie das für Ihre Arbeit passende Gerät. Durch das Arbeiten in dem für das Gerät angegebenen Leistungsbereich erzielen Sie nicht nur optimale Ergebnisse, Sie erhöhen auch die Sicherheit.

b. Verwenden Sie das Gerät nicht, wenn der Ein-/Ausschalter nicht funktioniert. Ein Gerät, das sich nicht mehr ein- oder ausschalten lässt, ist gefährlich und muss repariert werden.

c. Ziehen Sie den Stecker aus der Steckdose, und/oder trennen Sie das Gerät vom Akku, bevor Sie Einstellungen vornehmen, Zubehörteile wechseln oder das Gerät lagern. Diese Vorsichtsmaßnahme verhindert den unbeabsichtigten Start des Geräts.

d. Bewahren Sie unbenutzte Geräte außerhalb der Reichweite von Kindern auf. Lassen Sie Geräte nicht von Personen benutzen, die damit nicht vertraut sind oder diese Anweisungen nicht gelesen haben. Geräte sind gefährlich, wenn sie von unerfahrenen Personen benutzt werden.

e. Halten Sie Geräte in einem einwandfreien Zustand. Kontrollieren Sie, ob bewegliche Teile falsch ausgerichtet sind oder klemmen und ob Teile gebrochen oder so beschädigt sind, dass die Funktion des Geräts beeinträchtigt ist. Lassen Sie beschädigte Geräte vor dem Gebrauch reparieren. Viele Unfälle haben ihre Ursache in schlecht gewarteten Geräten.

f. Halten Sie Schneidwerkzeuge scharf und sauber. Sorgfältig gepflegte Schneidwerkzeuge mit scharfen Schneidkanten verklemmen sich weniger und sind leichter zu führen.

g. Verwenden Sie Geräte, Zubehör, Einsätze usw. entsprechend diesen Anweisungen, und berücksichtigen Sie dabei die Arbeitsbedingungen und die auszuführende Arbeit. Der Gebrauch von Geräten für andere als die vorgesehenen Anwendungen kann zu gefährlichen Situationen führen.

5. Service

a. Lassen Sie das Gerät nur von qualifiziertem Fachpersonal und nur mit Originalersatzteilen reparieren. So wird gewährleistet, dass die Sicherheit des Geräts erhalten bleibt.

Zusätzliche Sicherheitswarnungen für das Gerät



Achtung! Zusätzliche Sicherheitshinweise für Heißluftpistolen.

Achtung: Das Gerät ist nicht für die Verwendung im Freien geeignet.

Achtung: Wenn das Gerät nicht benutzt wird, muss es auf den dafür vorgesehenen Standflächen abgestellt werden.

Achtung: Durch mangelnde Sorgfalt bei der Benutzung des Geräts können Brände verursacht werden. Verwenden Sie das Gerät an Orten mit brennbaren Materialien daher nur mit äußerster Vorsicht.

- ◆ Richten Sie die heiße Luft nicht für längere Zeit auf dieselbe Stelle.
- ◆ Verwenden Sie das Gerät nicht in explosionsgefährdeter Umgebung.
- ◆ Beachten Sie, dass die Hitze zu brennbaren Materialien weitergeleitet werden kann, die sich nicht im Blickfeld befinden.
- ◆ Stellen Sie das Gerät nach Gebrauch auf seine Standflächen, und lassen Sie es vor der Aufbewahrung abkühlen.
- ◆ Lassen Sie das eingeschaltete Gerät niemals unbeaufsichtigt.
- ◆ Verdecken Sie weder die Lufteinlassschlitze noch die Auslassdüse, da dies einen Heißluftstau und Schäden am Gerät verursachen kann.
- ◆ Richten Sie den Heißluftstrom nicht auf andere Personen oder Tiere.
- ◆ Berühren Sie nicht die Düse. Diese wird während des Betriebs sehr heiß und bleibt auch nach dem Betrieb noch bis zu 30 Minuten lang heiß.
- ◆ Die Düse darf während des Betriebs oder unmittelbar nach dem Betrieb keine Gegenstände berühren.
- ◆ Stecken Sie keine Gegenstände in die Düse, da Sie einen elektrischen Schlag bekommen können.
- ◆ Schauen Sie nicht in die Düse, wenn das Gerät eingeschaltet ist.
- ◆ Verwenden Sie das Gerät nicht als Föhn! Die Lufttemperatur ist sehr viel höher als die eines Föhns.
- ◆ Achten Sie während des Betriebs auf gute Belüftung, da giftige Dämpfe entstehen könnten.

- ◆ Das Gerät darf nicht in feuchter Umgebung verwendet werden.
- ◆ Entfernen Sie Farbe nur in einem geschlossenen Arbeitsbereich. Tragen Sie eine Staubmaske, die speziell für den Schutz vor Stäuben und Dämpfen von bleihaltiger Farbe vorgesehen ist. Stellen Sie außerdem sicher, dass auch Personen geschützt sind, die den Arbeitsplatz betreten oder sich dort aufhalten.
- ◆ Achten Sie darauf, dass die Farbe nicht Feuer fängt, da dies zu Bränden führen kann.
- ◆ Es darf keine Farbe an der Düse kleben bleiben, da sie sich nach einiger Zeit entzünden kann.
- ◆ Schalten Sie das Gerät aus, und warten Sie, bis es abgekühlt ist, bevor Sie Zubehör anbringen.

Entfernen von bleihaltiger Farbe

- ◆ Beim Entfernen von Farbe ist höchste Vorsicht geboten. Farbsplitters, -überreste und -dämpfe können giftiges Blei enthalten. Gebäude, die vor 1960 erbaut wurden, sind möglicherweise mit bleihaltiger Farbe gestrichen. Auf dieser Farbe könnten sich weitere Farbschichten befinden. Bei Ablagerung auf Oberflächen kann durch Hand-zu-Mund-Kontakt Blei vom Körper aufgenommen werden.
- ◆ Belastungen durch selbst niedrige Bleiwerte können irreversible Schäden am Gehirn und im Nervensystem hervorrufen. Für Kinder und Schwangere sind die Gefahren einer Bleivergiftung am größten.
- ◆ Bevor Sie mit dem Arbeitsvorgang beginnen, muss festgestellt werden, ob die zu entfernende Farbe bleihaltig ist. Dies kann mithilfe eines Testsatzes oder durch einen professionellen Maler festgestellt werden. Rauchen, trinken oder essen Sie nicht in einem Arbeitsbereich, der möglicherweise bleiverseucht ist. Bleihaltige Farben sollten nur von einem Fachmann und nicht mithilfe einer Heißluftpistole entfernt werden.

Sicherheit anderer Personen

- ◆ Dieses Gerät darf nicht von Personen (einschließlich Kindern) mit eingeschränkten körperlichen, sensorischen oder geistigen Fähigkeiten sowie mangelnder Erfahrung und Kenntnissen bedient werden, es sei denn, sie werden bei der Verwendung des Geräts von einer erfahrenen Person beaufsichtigt oder angeleitet.
- ◆ Kinder müssen beaufsichtigt werden, um sicherzustellen, dass sie nicht mit dem Gerät spielen.

Restrisiken.

Für den Gebrauch dieses Geräts verbleiben zusätzliche Restrisiken, die möglicherweise nicht in den Sicherheitswarnungen genannt werden. Diese Risiken bestehen beispielsweise bei Missbrauch oder längerem Gebrauch.

Auch bei der Einhaltung der entsprechenden Sicherheitsvorschriften und der Verwendung aller Sicherheitsgeräte bestehen weiterhin bestimmte Restrisiken. Diese werden im Folgenden aufgeführt:

- ◆ **Verletzungen, die durch das Berühren von sich drehenden/bewegenden Teilen verursacht werden.**
- ◆ **Verletzungen, die durch das Austauschen von Teilen, Messern oder Zubehör verursacht werden.**
- ◆ **Verletzungen, die durch längeren Gebrauch eines Geräts verursacht werden. Legen Sie bei längerem Gebrauch regelmäßige Pausen ein.**
- ◆ **Beeinträchtigung des Gehörs.**
- ◆ **Gesundheitsrisiken durch das Einatmen von Staub bei Verwendung des Geräts (z. B. bei Holzarbeiten, insbesondere Eiche, Buche und Pressspan).**

Warnsymbole am Gerät

Am Gerät sind folgende Warnsymbole angebracht:



Achtung! Lesen Sie vor Gebrauch die Anleitung. Andernfalls besteht Verletzungsgefahr.

Elektrische Sicherheit



Dieses Gerät ist schutzisoliert, daher ist keine Erdleitung erforderlich. Überprüfen Sie stets, ob die Netzspannung der auf dem Typenschild des Geräts angegebenen Spannung entspricht.

- ◆ Wenn das Netzkabel beschädigt ist, muss es durch den Hersteller oder eine Black & Decker Vertragswerkstatt ausgetauscht werden, um eine mögliche Gefährdung zu vermeiden.

Verlängerungskabel

- ◆ Es kann ein zwei- oder dreidriges Kabel verwendet werden, da das Gerät schutzisoliert ist und es sich um ein Produkt der Klasse 2 handelt.
- ◆ Bis zu einer Kabellänge von 30 m treten keine Leistungsverluste auf.

Merkmale

Dieses Gerät verfügt über einige oder alle der folgenden Merkmale.

1. Ein-/Ausschalter
2. Düse

Montage

Achtung! Vergewissern Sie sich vor der Montage, dass das Gerät ausgeschaltet ist und der Netzstecker gezogen wurde.

Anbringen von Zubehörteilen

Im Einzelhandel ist eine Auswahl an Zubehörteilen erhältlich.

- **Spitzdüse:** Der Luftstrom wird auf einen kleinen Bereich gebündelt.
 - **Schlitzdüse:** Der Luftstrom wird über einen breiteren Bereich verteilt.
 - **Reflektordüse:** Zum Löten von Rohren.
 - **Glasschutzdüse:** Schützt Glas beim Entfernen von Farbe.
 - **Schaber:** Zum Entfernen von Farbe und Lack.
- ◆ Setzen Sie das Verbindungsstück des Zubehörs auf die Düse (2) auf.

Verwendung

Ein- und Ausschalten

- ◆ Um das Gerät bei geringerem Luftdurchsatz und geringerer Hitze einzuschalten, stellen Sie den Ein-/Ausschalter auf Position I.
- ◆ Um das Gerät bei hohem Luftdurchsatz und hoher Hitze einzuschalten, stellen Sie den Ein-/Ausschalter auf Position II.
- ◆ Zum Ausschalten des Geräts stellen Sie den Ein-/Ausschalter auf die Position O.

Verwenden des Geräts

Das Gerät ist aus Sicherheitsgründen mit einem Thermostat ausgestattet. Wenn das Gerät dauerhaft über lange Zeiträume oder unter hoher Leistung verwendet wird, kann das Gerät überhitzen und sich abschalten. Es wird daher empfohlen, dass Sie das Gerät während der Verwendung regelmäßig abkühlen lassen.

- ◆ Das Gerät benötigt vor der Verwendung einige Sekunden, um die volle Hitze zu entwickeln.
- ◆ Bei der ersten Inbetriebnahme tritt an der Düse möglicherweise ein wenig Rauch aus. Dies ist normal und nicht von Dauer.
- ◆ Verwenden Sie zum Trocknen von Farbe oder Lack, zum Entfernen von Aufklebern, zum Einschrumpfen von Isolationsrohren und zum Auftauen gefrorener Rohre eine niedrige Temperatur.
- ◆ Verwenden Sie zum Entfernen von Farbe und Lack und zum Verlöten von Rohranschlussstücken eine hohe Temperatur.
- ◆ Wenn Sie nicht sicher sind, welche Temperatur für ein bestimmtes Material geeignet ist, testen

Sie das Gerät an Materialresten, und beginnen Sie mit einer niedrigen Temperatur.

Freihandanwendung (Abb. A)

Das Gerät verfügt über Standflächen (3), die eine Freihandanwendung ermöglichen.

- ◆ Positionieren Sie das Gerät so auf einer Oberfläche, dass die Düse nach oben zeigt und es nicht umfallen kann.
- ◆ Sichern Sie das Kabel, sodass das Gerät nicht umgerissen werden kann.

Achtung! Richten Sie das Gerät niemals auf sich selbst oder andere Personen. Berühren Sie nicht die Düse. Achten Sie darauf, dass keine Substanzen in die Düse tropfen.

Entfernen von Farbe

- ◆ Richten Sie die Heißluft auf den Arbeitsbereich, um die Farbe zu erhitzen.
- ◆ Achten Sie darauf, dass die Farbe nicht Feuer fängt. Die Düse sollte mindestens 25 mm von der Oberfläche entfernt sein.
- ◆ Wenn die Farbe aufweicht, entfernen Sie sie mit einem Schaber. Wenn Sie die aufgeweichte Farbe nicht sofort entfernen, verhärtet diese wieder.
- ◆ Schaben Sie, wenn möglich, stets mit der Holzfläche.
- ◆ Achten Sie darauf, dass sich weder Farb- noch Materialreste auf dem Schaber ansammeln.
- ◆ Schaben Sie an senkrechten Flächen stets unterhalb des Geräts, damit keine Farbreste in die Düse gelangen.
- ◆ Wenn Sie Farbe von einer Fläche mit einer angrenzenden Glasfläche entfernen, müssen Sie das Glas vor der Hitze schützen.

Achtung! Verwenden Sie beim Entfernen von Farbe an Fensterrahmen aus Holz oder Metall eine Glasschutzdüse.

- ◆ Entsorgen Sie nach der Arbeit die Farbreste fachgerecht, und reinigen Sie den Arbeitsbereich gründlich.

Abkühlen

Bei Verwendung des Geräts wird die Düse sehr heiß. Lassen Sie das Gerät nach dem Ausschalten mindestens 30 Minuten lang abkühlen.

- ◆ Positionieren Sie das Gerät so auf einer Oberfläche, dass die Düse nach oben zeigt und es nicht umfallen kann.
- ◆ Sie können das Abkühlen beschleunigen, indem Sie vor Ausschalten des Geräts einige Minuten lang die niedrigste Temperatureinstellung einschalten.

Wartung

Ihr Black & Decker Gerät wurde im Hinblick auf eine lange Lebensdauer und einen möglichst geringen Wartungsaufwand entwickelt. Für dauerhaften einwandfreien Betrieb ist eine regelmäßige Pflege und Reinigung des Geräts erforderlich.

Achtung! Schalten Sie das Gerät aus, ziehen Sie den Netzstecker, und lassen Sie das Gerät abkühlen, bevor Sie mit der Wartung beginnen.

- ◆ Reinigen Sie regelmäßig die Lüftungsschlitze des Geräts mit Hilfe einer weichen Bürste oder eines trockenen Tuchs.
- ◆ Reinigen Sie das Gerät ausschließlich mit milder Seifenlösung und einem feuchten Tuch. Verwenden Sie keine scheuernden Reinigungsmittel oder Reinigungsmittel auf Lösungsmittelbasis. Achten Sie darauf, dass keine Flüssigkeit in das Gerät gelangt. Tauchen Sie keinen Teil des Geräts in Flüssigkeit ein.

Austauschen des Netzsteckers (nur Großbritannien und Irland)

Gehen Sie folgendermaßen vor, wenn ein neuer Netzstecker angeschlossen werden muss:

- ◆ Entsorgen Sie den alten Stecker auf sachgerechte Weise.
- ◆ Verbinden Sie die braune Leitung mit dem spannungsführenden Anschluss des Steckers.
- ◆ Verbinden Sie die blaue Leitung mit dem neutralen Anschluss.

Achtung! Der Erdleiter wird nicht angeschlossen. Befolgen Sie die Anleitungen, die dem Stecker beiliegen. Empfohlene Sicherung: 13 A.

Umweltschutz



Getrennte Entsorgung. Dieses Produkt darf keinesfalls mit dem Hausmüll entsorgt werden.

Sollten Sie Ihr Black & Decker Produkt eines Tages ersetzen oder nicht mehr benötigen, entsorgen Sie es nicht mit dem Hausmüll. Führen Sie das Produkt einer getrennten Sammlung zu.



Durch die getrennte Sammlung von ausgedienten Produkten und Verpackungsmaterialien können Rohstoffe recycelt und wiederverwendet werden. Die Wiederverwendung aufbereiteter Materialien trägt zur Vermeidung der Umweltverschmutzung bei und senkt den Rohstoffbedarf.

Die Verordnung zur Abfallentsorgung Ihrer Gemeinde sieht möglicherweise vor, dass Elektrogeräte getrennt vom Hausmüll gesammelt, an der örtlichen

Abfallentsorgungseinrichtung abgegeben oder beim Kauf eines neuen Produkts vom Fachhandel zur Entsorgung angenommen werden müssen.

Black & Decker nimmt Ihre ausgedienten Black & Decker Geräte gern zurück und sorgt für eine umweltfreundliche Entsorgung bzw. Wiederverwertung. Um diese Dienstleistung in Anspruch zu nehmen, geben Sie das Gerät bitte bei einer autorisierten Reparaturwerkstatt ab, die für uns die Einsammlung übernimmt.

Bitte fragen Sie Ihre zuständige Black & Decker Niederlassung (Adresse in dieser Anleitung) nach einer Vertragswerkstatt in Ihrer Nähe. Eine Liste der Vertragswerkstätten und aller Kundendienststellen von Black & Decker sowie der zuständigen Ansprechpartner finden Sie auch im Internet unter:

www.2helpU.com

Technische Daten

		KX1650 (Typ 1)
Eingangsspannung	V _{AC}	230
Konstruktion		Klasse II
Leistungsaufnahme	W	1750
Temperaturbereich	°C	460 - 600
Gewicht	kg	0.6

Garantie

Black & Decker vertraut auf die Qualität der eigenen Geräte und bietet dem Käufer eine außergewöhnliche Garantie. Diese Garantiezusage versteht sich unbeschadet der gesetzlichen Gewährleistungsansprüche und schränkt diese keinesfalls ein. Sie gilt in sämtlichen Mitgliedstaaten der Europäischen Union und der Europäischen Freihandelszone EFTA.

Tritt innerhalb von 24 Monaten ab Kaufdatum an einem Gerät von Black & Decker ein auf Material- oder Verarbeitungsfehler zurückzuführender Mangel auf, garantiert Black & Decker den Austausch defekter Teile, die Reparatur von Geräten mit üblichem Verschleiß bzw. den Austausch eines mangelhaften Gerätes, ohne den Kunden dabei mehr als unbedingt nötig in Anspruch zu nehmen, allerdings vorbehaltlich folgender Ausnahmen:

- ◆ wenn das Gerät gewerblich, beruflich oder im Verleihgeschäft benutzt wurde;
- ◆ wenn das Gerät missbräuchlich verwendet oder mit mangelnder Sorgfalt behandelt wurde;
- ◆ wenn das Gerät durch irgendwelche Fremdeinwirkung beschädigt wurde;
- ◆ wenn ein unbefugter Reparaturversuch durch anderes Personal als das einer Vertragswerk-

statt oder des Black & Decker Kundendiensts unternommen wurde.

Zur Inanspruchnahme dieser Garantie ist dem Verkäufer bzw. der Vertragswerkstatt ein Kaufnachweis vorzulegen. Die Adresse der zuständigen Niederlassung von Black & Decker steht in dieser Anleitung. Dort teilt man Ihnen gerne die nächstgelegene Vertragswerkstatt mit. Eine Liste der Vertragswerkstätten und aller Kundendienststellen von Black & Decker sowie der zuständigen Ansprechpartner finden Sie auch im Internet unter: **www.2helpU.com**

Bitte besuchen Sie unsere Website **www.blackanddecker.de**, um Ihr neues Black & Decker Produkt zu registrieren. Dort erhalten Sie auch Informationen über neue Produkte und Sonderangebote. Weitere Informationen über die Marke Black & Decker und unsere Produkte finden Sie unter **www.blackanddecker.de**.

Utilisation

Votre pistolet à air chaud Black & Decker est destiné aux travaux nécessitant un apport de chaleur, comme le décapage de peinture. Il est destiné à une utilisation exclusivement domestique et à l'intérieur uniquement.

Consignes de sécurité

Consignes de sécurité concernant les outils électroportatifs



Attention! Lisez avec attention tous les avertissements et toutes les instructions. Le non-respect de cette consigne peut entraîner une électrocution, un incendie et/ou de graves blessures.

Conservez tous les avertissements et instructions pour référence ultérieure. La notion d'«outil électroportatif» mentionnée par la suite se rapporte à des outils électriques raccordés au secteur (avec câble de raccordement) ou fonctionnant avec piles (sans fil).

1. **Sécurité de la zone de travail**
 - a. **Maintenez la zone de travail propre et bien éclairée.** Un lieu de travail en désordre ou mal éclairé augmente le risque d'accidents.
 - b. **N'utilisez pas les outils électroportatifs dans un environnement présentant des risques d'explosion ni en présence de liquides, gaz ou poussières inflammables.** Les outils électroportatifs génèrent des étincelles risquant d'enflammer les poussières ou les vapeurs.
 - c. **Pendant l'utilisation d'un outil électroportatif, les enfants et autres personnes doivent rester éloignés.** En cas d'inattention, vous risquez de perdre le contrôle de l'outil.
2. **Sécurité électrique**
 - a. **La prise de l'outil électroportatif doit être compatible avec la prise d'alimentation. Ne modifiez en aucun cas la prise. N'utilisez pas de prises d'adaptateur avec des appareils ayant une prise de terre.** Le respect de ces consignes réduit le risque de choc électrique.
 - b. **Évitez le contact physique avec des surfaces mises à la terre telles que tuyaux, radiateurs, fours et réfrigérateurs.** Le risque de choc électrique augmente si votre corps est relié à la terre.
 - c. **N'exposez pas l'outil électroportatif à la pluie ou à l'humidité.** La pénétration d'eau dans un outil électroportatif augmente le risque de choc électrique.
3. **Sécurité personnelle**
 - a. **Restez vigilant, surveillez ce que vous faites. Faites preuve de bon sens quand vous utilisez un outil électroportatif. N'utilisez pas l'outil lorsque vous êtes fatigué ou après avoir consommé de l'alcool ainsi que des médicaments.** Un moment d'inattention en utilisant l'outil peut entraîner de graves blessures.
 - b. **Portez un équipement de protection. Portez toujours des lunettes de protection.** Selon le travail à effectuer, le port d'équipement de protection tels que masque anti-poussières, chaussures de sécurité antidérapantes, casque ou protection auditive, réduit le risque de blessures.
 - c. **Évitez un démarrage imprévu. L'appareil doit être en position OFF (arrêt) avant d'effectuer le branchement à l'alimentation et/ou au bloc-batterie, de le ramasser ou de le porter.** Ne laissez pas votre doigt sur le bouton de commande en le transportant. N'alimentez pas l'outil si le bouton est activé. Ceci pourrait être à l'origine d'accident.
 - d. **Retirez les outils ou clés de réglage avant de mettre l'outil en marche.** Une clé ou un outil se trouvant sur une partie en rotation peut causer des blessures.
 - e. **Adoptez une position confortable. Adoptez une position stable et gardez votre équilibre en permanence.** Vous contrôlerez ainsi mieux l'outil dans des situations inattendues.
 - f. **Portez des vêtements appropriés. Ne portez pas de vêtements amples ou de bijoux. N'approchez pas les cheveux, vêtements ou gants des parties des pièces mobiles.** Les vêtements amples, les bijoux ou les cheveux
 - d. **Préservez le câble d'alimentation. N'utilisez pas le câble pour porter l'outil, pour l'accrocher. Ne le tirez pas pour le débrancher. Maintenez le câble éloigné des sources de chaleurs, des parties huilées, des bords tranchants ou des pièces en rotation.** Le risque de choc électrique augmente si les câbles sont endommagés ou emmêlés.
 - e. **Si vous utilisez l'outil électroportatif à l'extérieur, utilisez une rallonge homologuée pour une utilisation à l'extérieur.** L'utilisation d'une rallonge électrique homologuée pour les travaux à l'extérieur réduit le risque de choc électrique.
 - f. **Si l'outil doit être utilisé dans un endroit humide, prenez les précautions nécessaires en utilisant un dispositif à courant résiduel (RCD).** L'utilisation d'un tel dispositif réduit les risques d'électrocution.

longs peuvent s'accrocher dans les pièces en mouvement.

- g. **En cas d'utilisation d'appareils servant à aspirer ou à recueillir les poussières, assurez-vous qu'ils sont correctement raccordés et utilisés.** L'utilisation de tels dispositifs réduit les dangers dus aux poussières.
4. **Utilisation des outils électroportatifs et précautions**
 - a. **Respectez la capacité de l'outil. Utilisez l'outil électroportatif approprié pour le travail à effectuer.** Avec un outil approprié, vous travaillerez mieux et en toute sécurité.
 - b. **N'utilisez pas un outil électroportatif dont le bouton marche/arrêt est défectueux.** Un outil électroportatif qui ne répond pas à la commande marche/arrêt est dangereux et doit être réparé.
 - c. **Retirez la prise de courant et/ou débranchez le bloc-batterie avant d'effectuer des réglages, de changer les accessoires ou de ranger l'outil.** Cette mesure de précaution empêche de mettre l'outil en marche accidentellement.
 - d. **Rangez les outils électroportatifs hors de portée des enfants. Les personnes ne connaissant pas l'outil ou n'ayant pas lu ces instructions ne doivent en aucun cas l'utiliser.** Les outils électroportatifs sont dangereux lorsqu'ils sont utilisés par des personnes non initiées.
 - e. **Entretenez les outils électroportatifs. Vérifiez que les parties en mouvement fonctionnent correctement et qu'elles ne sont pas coincées. Vérifiez qu'il n'y a pas de pièces cassées ou endommagées susceptibles de nuire au bon fonctionnement de l'outil. S'il est endommagé, faites réparer l'outil avant de l'utiliser.** De nombreux accidents sont la conséquence d'outils mal entretenus.
 - f. **Les outils de coupe doivent toujours être aiguisés et propres.** Des outils soigneusement entretenus avec des bords tranchants bien aiguisés se coincent moins souvent et peuvent être guidés plus facilement.
 - g. **Utilisez les outils électroportatifs, les accessoires, etc., en suivant ces instructions et en tenant compte des conditions de travail, ainsi que du travail à effectuer.** L'utilisation des outils électroportatifs à d'autres fins que celles prévues peut vous mettre en situation dangereuse.

5. Réparations

- a. **Faites réparer votre outil électroportatif uniquement par du personnel qualifié et seulement avec des pièces de rechange appropriées.** Cela garantira le maintien de la sécurité de votre outil.

Consignes de sécurité supplémentaires concernant les outils électroportatifs



Attention! Consignes de sécurité supplémentaires pour l'utilisation des pistolets à air chaud.

Attention: N'utilisez jamais l'appareil à l'extérieur.
Attention: Cet appareil doit être placé sur le support quand il n'est pas utilisé.

Attention: Un feu peut se produire si l'appareil n'est pas utilisé avec précaution. Il faut donc vérifier s'il y a des matériaux combustibles dans la zone de travail.

- ◆ Ne chauffez pas le même endroit sur une longue période.
- ◆ N'utilisez pas l'appareil dans un environnement où il y a risque d'explosion.
- ◆ N'oubliez pas que la chaleur peut atteindre les matériaux combustibles non visibles.
- ◆ Placez l'appareil sur son support après l'utilisation et laissez-le refroidir avant de le ranger.
- ◆ Ne laissez pas l'appareil sans surveillance quand il est en marche.
- ◆ Ne bloquez pas les fentes d'aération ou l'embout. L'appareil risque d'être endommagé par l'accumulation de chaleur excessive.
- ◆ N'orientez jamais l'air chaud vers des animaux ou des personnes.
- ◆ Ne touchez en aucun cas l'embout, il peut être très chaud et le rester pendant plus de 30 minutes après l'utilisation.
- ◆ Ne placez pas l'embout contre un objet pendant l'utilisation ou immédiatement après.
- ◆ N'introduisez aucun élément dans l'embout, il y a risque de choc électrique.
- ◆ Ne regardez pas dans l'embout quand il est en marche.
- ◆ N'utilisez pas l'appareil comme un sèche-cheveux! La température qu'il dégage est nettement supérieure.
- ◆ Aérez correctement pendant l'utilisation. Des gaz toxiques peuvent s'évaporer.
- ◆ Ne l'exposez pas à l'humidité.
- ◆ Pour décaper la peinture, travaillez dans un endroit clos. Portez un masque contre la poussière spécialement conçu pour vous protéger de la peinture au plomb, des sciures et des fumées toxiques et veillez à ce que les personnes se

trouvant à l'intérieur de la zone de travail ou y pénétrant soient également protégées.

- ◆ Ne brûlez pas la peinture, elle pourrait prendre feu.
- ◆ Ne laissez pas la peinture adhérer à l'embout, elle pourrait s'enflammer au bout d'un certain temps.
- ◆ Avant de rajouter un accessoire, éteignez l'appareil et laissez-le refroidir.

Décapage de peinture au plomb

- ◆ Toutes les précautions doivent être prises pour décaper la peinture. Les écailles, les restes et les vapeurs de peinture peuvent contenir du plomb, ce qui est toxique. Tous les bâtiments construits avant 1960 peuvent avoir été peints avec de la peinture contenant du plomb. Cette peinture peut être recouverte de couche supplémentaires. Si vous posez vos mains sur les surfaces peintes, ne les portez pas à la bouche. Il y a risque de contamination par ingestion.
- ◆ Les expositions au plomb, même à faible niveau, peuvent causer des troubles neurologiques. Le danger est plus grand auprès des enfants et des femmes enceintes.
- ◆ Avant de commencer à décaper, il est important de déterminer si la peinture contient du plomb. Utilisez un kit d'essai ou demandez à un décorateur professionnel de vérifier. Ne fumez pas, ne mangez pas ou ne buvez pas dans des lieux contaminés par le plomb. Seuls des professionnels sont habilités à décaper la peinture à base de plomb. Le pistolet à air chaud ne peut être utilisé pour ce travail.

Sécurité des personnes

- ◆ Cet appareil ne doit pas être utilisé par des personnes (y compris les enfants) ayant des déficiences physiques, mentales ou sensorielles. Cette consigne s'applique aussi aux personnes manquant d'expérience et de connaissance du matériel, à moins que celles-ci n'aient reçu les instructions appropriées ou qu'elles ne soient encadrées par une personne responsable de leur sécurité pour utiliser l'appareil.
- ◆ Ne laissez jamais les enfants sans surveillance pour éviter qu'ils ne jouent avec cet outil.

Risques résiduels.

L'utilisation d'un outil non mentionné dans les consignes de sécurité données peut entraîner des risques résiduels supplémentaires. Ces risques peuvent survenir si l'outil est mal utilisé, si l'utilisation est prolongée, etc.

Malgré l'application des normes de sécurité correspondantes et la présence de dispositifs de sécurité, les risques résiduels suivants ne peuvent être évités. Ceci comprend:

- ◆ **Les blessures dues au contact avec une pièce mobile/en rotation.**
- ◆ **Les blessures causées en changeant des pièces, lames ou accessoires.**
- ◆ **Les blessures dues à l'utilisation prolongée d'un outil. Une utilisation prolongée de l'outil nécessite des pauses régulières.**
- ◆ **Déficiences auditives.**
- ◆ **Risques pour la santé causés par l'inhalation de poussières produites pendant l'utilisation de l'outil (exemple: travail avec du bois, surtout le chêne, le hêtre et les panneaux en MDF).**

Étiquettes de l'outil

Les pictogrammes ci-dessous se trouvent sur l'outil:



Attention! Pour réduire le risque de blessures, l'utilisateur doit lire le manuel d'instructions.

Sécurité électrique



Cet outil est doublement isolé. Par conséquent, aucun câble de mise à la terre n'est nécessaire. Vérifiez si l'alimentation mentionnée sur la plaque signalétique de l'appareil correspond bien à la tension présente sur le lieu.

- ◆ Si le câble d'alimentation est endommagé, il doit être remplacé par le fabricant ou par un Centre de réparation Black & Decker agréé pour éviter tout danger.

Rallonges

- ◆ Un câble bifilaire ou trifilaire doit être utilisé, l'appareil étant doublement isolé et de classe II.
- ◆ Une longueur de 30 m peut être utilisée sans perte de puissance.

Caractéristiques

Cet appareil comprend certains, ou tous, les éléments suivants:

1. Bouton marche/arrêt
2. Embout

Assemblage

Attention! Avant l'assemblage, assurez-vous que l'outil est éteint et débranché.

Mise en place d'un accessoire

Votre représentant local peut vous proposer une gamme d'accessoires.

- **Embout conique:** Concentre le débit d'air dans une petite zone.
- **Embout en queue de poisson:** Répartit le débit d'air sur une plus large zone.
- **Embout réflecteur:** Pour souder les tuyaux.
- **Embout de protection pour le verre:** Pour protéger le verre pendant le décapage de la peinture.
- **Grattoir** Pour éliminer et décapier la peinture et le vernis.
- ◆ Posez le raccord de l'accessoire sur l'embout (2).

Utilisation

Mise en marche et arrêt

- ◆ Pour obtenir une vitesse de l'air et une chaleur limitées, réglez le bouton marche/arrêt sur I.
- ◆ Pour obtenir une vitesse de l'air et une chaleur élevées, réglez le bouton marche/arrêt sur II.
- ◆ Pour arrêter l'outil, mettez le bouton marche/arrêt en position O.

Utilisation de l'outil

Pour votre sécurité, cet outil est équipé d'un thermostat. L'utilisation de l'outil en continu sur de longues périodes ou pour des travaux importants peut entraîner la surchauffe de l'outil et interrompre le fonctionnement. Il est donc recommandé de laisser l'outil refroidir à intervalles réguliers pendant l'utilisation.

- ◆ Laissez l'outil chauffer pendant quelques secondes avant l'utilisation.
- ◆ À la première utilisation, il peut y avoir de la fumée. Ceci est un phénomène normal qui disparaît avec le temps.
- ◆ Utilisez ce réglage pour sécher la peinture et le vernis, retirer les autocollants, rétrécir les tuyaux d'isolation et chauffer les tuyaux gelés.
- ◆ Utilisez ce réglage pour retirer la peinture et la laque, et pour souder les raccords de plombage.
- ◆ Si vous avez des doutes pour un matériau particulier, commencez par le réglage faible et effectuez un essai sur un échantillon.

Utilisation mains-libres (figure A)

L'outil a des points de support (3), ce qui permet de garder les mains libres.

- ◆ Placez l'outil avec l'embout vers le haut sur une surface stable pour qu'il ne tombe pas.
- ◆ Placez le câble de façon à ce que l'appareil ne tombe pas du support.

Attention! N'orientez jamais l'outil vers vous ou vers les autres. Ne touchez pas l'embout. Faites attention de ne laisser aucun matériau entrer dans l'embout.

Décapage de peinture

- ◆ Dirigez l'air chaud sur la zone de travail pour chauffer la peinture.
- ◆ Ne brûlez pas la peinture. Gardez l'embout à au moins 25 mm de la surface.
- ◆ Quand la peinture se ramollit, retirez-la avec un grattoir. Grattez immédiatement la peinture ramollie car elle durcit rapidement.
- ◆ Grattez dans le sens du bois quand cela est possible.
- ◆ Ne laissez pas la peinture ou les débris s'accumuler sur le grattoir.
- ◆ Pour le décapage vertical, grattez vers le bas pour que la peinture ne tombe pas dans l'embout.
- ◆ Pour le décapage près d'une surface en verre, prenez les mesures nécessaires pour protéger le verre de la chaleur.

Attention! Utilisez un embout protecteur pour le verre pour le décapage des fenêtres dont l'encadrement est en verre ou en métal.

- ◆ Mettez au rebut tous les débris et assurez-vous que la zone de travail est complètement propre après l'utilisation.

Refroidissement

Pendant l'utilisation, l'embout devient extrêmement chaud. Laissez l'appareil refroidir pendant au moins 30 minutes après l'avoir éteint.

- ◆ Placez l'outil avec l'embout vers le haut sur une surface stable pour qu'il ne tombe pas.
- ◆ Pour accélérer le refroidissement, faites fonctionner l'outil sur le réglage minimum pendant quelques minutes avant de l'arrêter.

Entretien

Votre appareil Black & Decker a été conçu pour fonctionner pendant longtemps avec un minimum d'entretien. Un fonctionnement satisfaisant dépend d'un nettoyage régulier et d'un entretien approprié.

Attention! Préalablement à toute opération d'entretien, éteignez et débranchez l'appareil et laissez-le refroidir.

- ◆ Nettoyez régulièrement les orifices de ventilation de votre appareil à l'aide d'une brosse souple ou d'un chiffon sec.
- ◆ Pour nettoyer l'outil, utilisez exclusivement du savon doux et un chiffon humide. N'utilisez pas de produit abrasif ou à base de solvant. Évitez toute pénétration de liquide dans l'appareil et ne plongez aucune pièce dans du liquide.

Remplacement des prises secteur (RU et Irlande uniquement)

Si une nouvelle prise secteur doit être installée:

- ◆ Mettez au rebut la vieille prise.
- ◆ Branchez le fil brun dans la borne de la nouvelle prise.
- ◆ Branchez le fil bleu à la borne neutre.

Attention! Aucune connexion ne doit être faite à la borne de terre. Suivez les instructions de montage fournies avec les prises de bonne qualité. Fusibles recommandés: 13 A.

Protection de l'environnement



Recyclage. Cet outil ne doit pas être jeté avec les déchets ménagers.

Si votre appareil/outil Black & Decker doit être remplacé ou si vous ne l'utilisez plus, ne le jetez pas avec les ordures ménagères. Songez à la protection de l'environnement et recyclez-le.



La collecte séparée des produits et des emballages usagés permet de recycler et de réutiliser des matériaux. La réutilisation de matériaux recyclés évite la pollution de l'environnement et réduit la demande de matières premières.

Des réglementations locales peuvent stipuler la collecte séparée des produits électriques et des produits ménagers, dans des déchetteries municipales ou par le revendeur lorsque vous achetez un nouveau produit.

Black & Decker offre une solution permettant de recycler les produits Black & Decker lorsqu'ils ont atteint la fin de leur cycle de vie. Pour pouvoir profiter de ce service, veuillez retourner votre produit à un réparateur agréé qui se chargera de le collecter pour nous.

Pour connaître l'adresse du réparateur agréé le plus proche de chez vous, contactez le bureau Black & Decker à l'adresse indiquée dans ce manuel. Vous pourrez aussi trouver une liste de réparateurs agréés de Black & Decker et de plus amples détails sur notre service après-vente sur le site Internet à l'adresse suivante: www.2helpU.com

Caractéristiques techniques

KX1650 (Type 1)	
Tension d'entrée	V _{ca} 230
Construction	Classe II
Puissance	W 1750
Plage de température	°C 460 - 600
Poids	kg 0.6

Garantie

Black & Decker assure la qualité de ses produits et vous offre une garantie très élargie. Ce certificat de garantie est un document supplémentaire et ne peut en aucun cas se substituer à vos droits légaux. La garantie est valable sur tout le territoire des États Membres de l'Union Européenne et de la Zone de Libre Échange Européenne.

Si un produit Black & Decker s'avère défectueux en raison de matériaux en mauvaises conditions, d'une erreur humaine, ou d'un manque de conformité dans les 24 mois suivant la date d'achat, Black & Decker garantit le remplacement des pièces défectueuses, la réparation des produits usés ou cassés ou remplace ces produits à la convenance du client, sauf dans les circonstances suivantes:

- ◆ Le produit a été utilisé dans un but commercial, professionnel, ou a été loué;
- ◆ Le produit a été mal utilisé ou utilisé avec négligence;
- ◆ Le produit a subi des dommages à cause d'objets étrangers, de substances ou à cause d'accidents;
- ◆ Des réparations ont été tentées par des techniciens ne faisant pas partie du service technique de Black & Decker.

Pour avoir recours à la garantie, il est nécessaire de fournir une preuve d'achat au vendeur ou à un réparateur agréé. Pour connaître l'adresse du réparateur agréé le plus proche de chez vous, contactez le bureau Black & Decker à l'adresse indiquée dans ce manuel. Vous pourrez aussi trouver une liste de réparateurs agréés de Black & Decker et de plus amples détails sur notre service après-vente sur le site Internet à l'adresse suivante: www.2helpU.com

Visitez notre site Web www.blackanddecker.fr pour enregistrer votre nouveau produit Black & Decker et être informé des nouveaux produits et des offres spéciales. Pour plus d'informations concernant la marque Black & Decker et notre gamme de produits, consultez notre site www.blackanddecker.fr

Použití výrobku

Vaše horkovzdušná opalovací pistole Black & Decker je určena k různým tepelným aplikacím, jako je například odstraňování nátěrů. Tento výrobek je určen pouze pro spotřebitelské použití.

Bezpečnostní pokyny

Všeobecné bezpečnostní pokyny pro práci s elektrickým nářadím



Varování! Přečtěte si všechny bezpečnostní pokyny a bezpečnostní výstrahy. Nedodržení níže uvedených pokynů může mít za následek úraz elektrickým proudem, vznik požáru nebo vážné poranění.

Veškerá bezpečnostní varování a pokyny uschovejte pro případné další použití. Termín „elektrické nářadí“ ve všech upozorněních odkazuje na vaše nářadí napájené ze sítě (je opatřeno napájecím kabelem) nebo nářadí napájené z akumulátoru (bez napájecího kabelu).

1. Bezpečnost v pracovním prostoru

- a. **Pracovní prostor udržujte čistý a dobře osvětlený.** Přeplněný a neosvětlený pracovní prostor může vést k způsobení úrazů.
- b. **Neppracujte s elektrickým nářadím ve výbušném prostředí, jako jsou například prostory s výskytem hořlavých kapalin, plynů nebo prašných látek.** V elektrickém nářadí dochází k jiskření, které může způsobit vznícení hořlavého prachu nebo výparů.
- c. **Při práci s elektrickým nářadím zajistěte bezpečnou vzdálenost dětí a ostatních osob.** Rozptylování může způsobit ztrátu kontroly nad nářadím.

2. Elektrická bezpečnost

- a. **Zástrčka napájecího kabelu nářadí musí odpovídat zásuvce. Zástrčku nikdy žádným způsobem neupravujte. Nepoužívejte u uzemněného elektrického nářadí žádné upravené zástrčky.** Neupravené zástrčky a odpovídající zásuvky snižují riziko vzniku úrazu elektrickým proudem.
- b. **Nedotýkejte se uzemněných povrchů, jako jsou například potrubí, radiátory, elektrické sporáky a chladničky.** Při uzemnění vašeho těla vzrůstá riziko úrazu elektrickým proudem.
- c. **Nevystavujte elektrické nářadí dešti nebo vlhkému prostředí.** Vnikne-li do elektrického nářadí voda, zvýší se riziko úrazu elektrickým proudem.
- d. **S napájecím kabelem zacházejte opatrně. Nikdy nepoužívejte napájecí kabel k přenášení**

nebo posouvání nářadí a netahajte za něj, chcete-li nářadí odpojit od elektrické sítě. Zabraňte kontaktu kabelu s mastnými, horkými a ostrými předměty nebo pohyblivými částmi. Poškozený nebo zauzlený napájecí kabel zvyšuje riziko úrazu elektrickým proudem.

- e. **Při práci s nářadím venku používejte prodlužovací kabely určené pro venkovní použití.** Použití kabelu pro venkovní použití snižuje riziko úrazu elektrickým proudem.
- f. **Při práci s elektrickým nářadím ve vlhkém prostředí musí být v napájecím okruhu použit proudový chránič (RCD).** Použití proudového chrániče (RCD) snižuje riziko úrazu elektrickým proudem.

3. Bezpečnost obsluhy

- a. **Při použití elektrického nářadí zůstaňte stále pozorní, sledujte, co provádíte a pracujte s rozvahou. Nepoužívejte elektrické nářadí, jste-li unaveni nebo jste-li pod vlivem drog, alkoholu nebo léků.** Chvilka nepozornosti při práci s elektrickým nářadím může vést k vážnému úrazu.
- b. **Používejte prvky osobní ochrany. Vždy používejte ochranu zraku.** Ochranné prostředky jako respirátor, neklouzavá pracovní obuv, přilba a chrániče sluchu, používané v příslušných podmínkách, snižují riziko poranění osob.
- c. **Zabraňte náhodnému spuštění. Před připojením zdroje napětí nebo před vložením akumulátoru a před zvednutím nebo přenášením nářadí zkontrolujte, zda je vypnutý hlavní spínač.** Přenášení elektrického nářadí s prstem na hlavním spínači nebo připojení napájecího kabelu k elektrické síti, je-li hlavní spínač nářadí v poloze zapnuto, může způsobit úraz.
- d. **Před spuštěním nářadí se vždy ujistěte, zda nejsou v jeho blízkosti klíče nebo seřizovací přípravky.** Seřizovací klíče ponechané na nářadí mohou být zachyceny rotujícími částmi nářadí a mohou způsobit úraz.
- e. **Nepřekázejte sami sobě. Při práci vždy udržujte vhodný a pevný postoj.** Tak je umožněna lepší ovladatelnost nářadí v neočekávaných situacích.
- f. **Vhodně se oblékejte. Nenoste volný oděv nebo šperky. Dbejte na to, aby se vaše vlasy, oděv a rukavice nedostaly do kontaktu s pohyblivými částmi.** Volný oděv, šperky nebo dlouhé vlasy mohou být pohyblivými díly zachyceny.
- g. **Jsou-li zařízení vybavena adaptérem pro připojení příslušenství k zachytávání prachu,**

zajistíte jeho správné připojení a řádnou funkci. Použití těchto zařízení může snížit nebezpečí týkající se prachu.

4. **Použití elektrického nářadí a jeho údržba**
 - a. **Elektrické nářadí nepřetěžujte. Používejte správný typ nářadí pro prováděnou práci.** Při použití správného typu nářadí bude práce provedena lépe a bezpečněji.
 - b. **Pokud nelze hlavní spínač nářadí zapnout a vypnout, s nářadím nepracujte.** Každé elektrické nářadí s nefunkčním hlavním spínačem je nebezpečné a musí být opraveno.
 - c. **Před seřizováním nářadí, před výměnou příslušenství nebo pokud nářadí nepoužíváte, odpojte zástrčku napájecího kabelu od zásuvky nebo z nářadí vyjměte akumulátor.** Tato preventivní bezpečnostní opatření snižují riziko náhodného spuštění nářadí.
 - d. **Uložte elektrické nářadí mimo dosah dětí a nedovolte ostatním osobám, které toto nářadí neumí ovládat nebo které neznají tyto bezpečnostní pokyny, aby s tímto elektrickým nářadím pracovaly.** Elektrické nářadí je v rukou nekalifikované obsluhy nebezpečné.
 - e. **Provádějte údržbu elektrického nářadí. Zkontrolujte vychýlení nebo zablokování pohyblivých částí, poškození jednotlivých dílů a jiné okolnosti, které mohou ovlivnit chod nářadí. Je-li nářadí poškozeno, nechejte jej před použitím opravit.** Mnoho nehod bývá způsobeno zanedbanou údržbou nářadí.
 - f. **Řezné nástroje udržujte ostré a čisté.** Řádně udržované řezné nástroje s ostrými řeznými břity jsou méně náchylné k zanášení nečistotami a lépe se s nimi manipuluje.
 - g. **Používejte elektrické nářadí, příslušenství a držáky nástrojů podle těchto pokynů a berte v úvahu provozní podmínky a práci, která bude prováděna.** Použití elektrického nářadí k jiným účelům, než k jakým je určeno, může být nebezpečné.
5. **Opravy**
 - a. **Opravy elektrického nářadí svěřte pouze kvalifikovanému technikovi, který bude používat originální náhradní díly.** Tím zajistíte bezpečný provoz nářadí.

Doplňkové bezpečnostní pokyny pro práci s elektrickým nářadím



Varování! Doplnkové bezpečnostní pokyny pro horkovzdušné opalovací pistole.

Varování: Tento výrobek není určen pro venkovní použití.

Varování: Není-li horkovzdušná opalovací pistole používána, uložte ji na vlastní stojan.

Varování: Při neopatrném používání zařízení může dojít ke vzniku požáru, proto při práci s opalovací pistolí v místech s výskytem hořlavých materiálů buďte obezřetní.

- ◆ Nenahřívejte stejné místo delší dobu.
- ◆ Nepoužívejte toto nářadí v prostředí s výbušnou atmosférou.
- ◆ Teplo může být přenášeno na hořlavé materiály, které jsou mimo úhel pohledu.
- ◆ Po použití nářadí odložte na vlastní stojan a před uložením jej ponechte zcela vychladnout.
- ◆ Neponechávejte nářadí bez dozoru, pokud je zapnuto.
- ◆ Nezakrývejte jak štěrby přívodu vzduchu, tak i výstupní trysku, nadměrným ohřevem v těchto místech by mohlo dojít k poškození opalovací pistole.
- ◆ Nesměřujte proud horkého vzduchu na ostatní osoby nebo domácí zvířectvo.
- ◆ Nedotýkejte se trysky, protože se během použití může zahřát na velmi vysokou teplotu a ještě 30 minut po použití zůstává horká.
- ◆ Během použití nebo ihned po použití nepokládejte tryska na žádné předměty.
- ◆ Nevkládejte do trysky žádné předměty, protože by mohlo dojít k úrazu elektrickým proudem.
- ◆ Nedívejte se do trysky, pokud je opalovací pistole zapnuta.
- ◆ Nepoužívejte nářadí jako vysoušeč vlasů. Teplota proudícího vzduchu je mnohem vyšší jak teplota opalovací pistole.
- ◆ Zajistěte si odpovídající větrání, protože při použití tohoto nářadí mohou vznikat toxické výpary.
- ◆ Nepoužívejte nářadí ve vlhkém prostředí
- ◆ Při odstraňování nátěrů zajistěte, aby byl pracovní prostor uzavřen.
- ◆ Používejte masku proti prachu určenou speciálně na ochranu před prachem a výpary z nátěrů s obsahem olova a zajistěte, aby byly takto chráněny všechny osoby nacházející se nebo vstupující do pracovního prostoru.
- ◆ Nátěry nespalujte, mohlo by dojít ke vzniku požáru.
- ◆ Dbejte na to, aby na trysce nebo na škrabce nezůstávaly žádné zbytky barvy, protože by mohlo dojít k jejich vznícení.
- ◆ Před nasazením jakéhokoliv příslušenství opalovací pistole vypněte a ponechte ji vychladnout.

Odstraňování nátěrů s obsahem olova

- ◆ Velkou opatrnost věnujte při odškrabování nátěrů. Oloupaná barva, zbytky nátěrů a výpary

mohou obsahovat olovo, které je jedovaté. Některé budovy postavené před rokem 1960 mohou obsahovat původní nátěry obsahující olovo. Tyto původní nátěry mohou být překryty novějšími vrstvami. Je-li barva nanесena na povrch, kontakt rukou s ústy může způsobit požití olova.

- ◆ Vystavení se působení i malého množství olova může mít za následek nevratné poškození mozku a nervové soustavy. Největší nebezpečí otravy olovem hrozí dětem a těhotným ženám.
- ◆ Před započetím práce je důležité určit, zda opalovaný nátěr neobsahuje olovo. To lze provést pomocí testovací soupravy nebo za pomoci profesionálního malíře pokojů. V oblasti, která je, nebo která může být kontaminovaná olovem, nekuřte, nepožívejte pokrmy ani nápoje. Nátěr s obsahem olova by měl odstraňovat pouze profesionál a neměl by být odstraňován pomocí horkovzdušné pistole.

Bezpečnost ostatních osob

- ◆ Tento výrobek není určen k použití osobami (včetně dětí) se sníženými fyzickými, smyslovými nebo duševními schopnostmi, nebo s nedostatkem zkušeností a znalostí, pokud těmto osobám nebyl stanoven dohled, nebo pokud jim nebyly poskytnuty instrukce týkající se použití výrobku osobou odpovědnou za jejich bezpečnost.
- ◆ Děti by měly být pod dozorem, aby si s nářadím nehrály.

Jiná nebezpečí.

Další rizika mohou nastat při jiném způsobu použití nářadí, než byl uveden v příložených bezpečnostních pokynech. Tato rizika mohou vzniknout v důsledku nesprávného použití, dlouhodobého použití atd.

Přestože jsou dodržovány příslušné bezpečnostní předpisy a jsou používána bezpečnostní zařízení, určitá zbytková rizika nemohou být vyloučena. Tato rizika jsou následující:

- ◆ **Zranění způsobená kontaktem s jakoukoli rotující nebo pohybující se částí.**
- ◆ **Zranění způsobená při výměně dílů, pracovního nástroje nebo příslušenství.**
- ◆ **Zranění způsobená dlouhodobým použitím nářadí. Používáte-li jakékoli nářadí delší dobu, zajistěte, aby byly prováděny pravidelné přestávky.**
- ◆ **Poškození sluchu.**
- ◆ **Zdravotní rizika způsobená vdechováním prachu vytvářeného při použití nářadí (při-**

klad: - práce se dřevem, zejména s dubovým, bukovým a MDF.)

Štítky na nářadí

Na nářadích jsou následující piktogramy:



Varování! Z důvodu snížení rizika způsobení úrazu si uživatel musí přečíst tento návod k obsluze.

Elektrická bezpečnost



Toto nářadí je opatřeno dvojitou izolací. Proto není nutné použití uzemňovacího vodiče. Vždy zkontrolujte, zda napájecí napětí odpovídá napětí na výkonovém štítku.

- ◆ Je-li poškozen napájecí kabel, musí být vyměněn výrobcem nebo v autorizovaném servisu Black & Decker, aby bylo zabráněno možným rizikům.

Prodlužovací kabely

- ◆ Protože je nářadí chráněno dvojitou izolací a je konstrukční třídy II, lze použít 2 nebo 3 žilový kabel.
- ◆ S tímto výrobkem může být použit prodlužovací kabel o délce až 30 m, aniž by docházelo ke ztrátám výkonu.

Popis

Toto nářadí se skládá z některých nebo ze všech následujících částí.

1. Hlavní spínač (Zapnuto / Vypnuto)
2. Tryska

Sestavení

Varování! Před montáží se ujistěte, zda je nářadí vypnuto a zda je napájecí kabel odpojen od zásuvky.

Upnutí příslušenství

Vybranou řadu příslušenství získáte u vašeho místního dodavatele.

- **Kuželová tryška:** Koncentruje proud vzduchu do menší plochy.
- **Rybinový nástavec:** Rozšiřuje proud vzduchu do větší plochy.
- **Lžicový odražeč:** Je určen k svařování potrubí.
- **Chránič skel:** Slouží k ochraně skel při odstraňování nátěru.
- **Škrabka:** Slouží k odstraňování a seškrabávání nátěrů a laků.
- ◆ Na trysku (2) nasadte přípojnou část příslušenství.

Použití

Zapnutí a vypnutí

- ◆ Chcete-li nářadí zapnout s nízkým proudem výstupního vzduchu, s nízkou teplotou, nastavte hlavní spínač zapnuto/vypnuto do polohy I.
- ◆ Chcete-li nářadí zapnout s vysokým proudem výstupního vzduchu, s vysokou teplotou, nastavte hlavní spínač zapnuto/vypnuto do polohy II.
- ◆ Chcete-li nářadí vypnout, nastavte hlavní spínač zapnuto/vypnuto do polohy O.

Použití nářadí

Vaše nářadí je s ohledem na vaši bezpečnost vybaveno termostatem. Trvalé použití nářadí po velmi dlouhou dobu nebo jiné opakované náročné nasazení může mít za následek přehřátí opalovací pistole a zastavení chodu. Proto se doporučuje během používání ponechat opalovací pistoli v pravidelných intervalech zchladnout.

- ◆ Před použitím ponechejte opalovací pistoli několik sekund rozehrát.
- ◆ Při prvním použití se může z trysky uvolňovat kouř. Jde o běžný jev, který časem ustane.
- ◆ K sušení nátěrů a laků, odstraňování lepených štítků, stahování izolačních trubíc a rozehrívání zamrzlého potrubí používejte nastavení s nízkou teplotou.
- ◆ Nastavení s vysokou teplotou používejte k odstraňování nátěrů a laků a ke sváření instalačních spojů.
- ◆ Pokud si nejste u konkrétního materiálu s použitím tohoto nářadí jisti, začněte práci s nastavením na nízkou teplotu a na kousku odpadového materiálu si proveďte zkoušku.

Použití bez držení rukou (obr. A)

Opalovací pistole je pro použití bez držení vybavena stojanem (3).

- ◆ Opalovací pistoli postavte na pevný podklad tryskou vzhůru tak, aby se nepřevrhla.
- ◆ Přívodní kabel zajistěte, abyste za něj nezachytili a díky němu se opalovací pistole nepřevrhla.

Varování! Vždy dbejte na to, aby nářadí nemířilo na vás nebo na jiné osoby. Nedotýkejte se trysky opalovací pistole. Dejte pozor, aby do trysky nezapadl žádný materiál.

Seškrabávání nátěru

- ◆ Nasměrujte proud horkého vzduchu na nátěr, který budete odstraňovat.
- ◆ Nátěr nespalujte. Trysku opalovací pistole držte minimálně 25 mm od opalovaného povrchu.

- ◆ Jakmile nátěr změkne, odstraňte jej pomocí škrabky. Změkčený nátěr okamžitě seškrábněte, jinak opět ztvrdne.
- ◆ Pokud je to možné, vždy provádějte seškrabování po směru vláken dřeva.
- ◆ Zabraňte hromadění nánosů nátěru a drti na škrabce.
- ◆ Při práci ve svislé poloze pracujte směrem dolů, abyste zabránili padání zbytků nátěru do trysky opalovací pistole.
- ◆ Pokud seškrabujete nátěr z povrchu v blízkosti oken, proveďte nezbytná opatření k ochraně skel před teplem.

Varování! Při odstraňování nátěrů z oken, které mají dřevěné nebo kovové rámy, použijte trysku s chráničem skel.

- ◆ Proveďte bezpečnou likvidaci odstraněných zbytků nátěru a po skončení práce se ujistěte, zda je pracovní oblast pečlivě uklizena.

Vychladnutí

Tryska tohoto nářadí se během použití zahřívá na velmi vysokou teplotu. Po vypnutí ponechejte opalovací pistoli vychladnout minimálně po dobu 30 minut.

- ◆ Opalovací pistoli postavte na pevný podklad tryskou vzhůru tak, aby se nepřevrhla.
- ◆ Ke zkrácení doby vychladnutí nechejte opalovací pistoli několik minut před vypnutím běžet s nastavením na minimální teplotu.

Údržba

Vaše zařízení Black & Decker bylo zkonstruováno tak, aby vám sloužilo dlouhou dobu s minimálními nároky na údržbu. Řádná péče o tento výrobek a jeho pravidelné čištění vám zajistí jeho bezproblémový chod.

Varování! Před prováděním jakékoliv údržby opalovací pistoli vypněte a ponechejte ji vychladnout.

- ◆ Pravidelně čistěte větrací otvory na zařízení pomocí měkkého kartáče nebo suchého hadříku.
- ◆ Pro čištění opalovací pistole používejte mýdlový roztok a navlhčený hadřík. Nepoužívejte žádné abrazivní čisticí prostředky nebo rozpouštědla. Nikdy nedovolte, aby se do opalovací pistole dostala jakákoliv kapalina. Nikdy neponožujte žádnou část nářadí do kapaliny.

Výměna síťové zástrčky (pouze pro Velkou Británii a Irsko)

Budete-li instalovat novou zástrčku napájecího kabelu:

- ◆ Zajistěte ekologickou likvidaci staré zástrčky.
- ◆ Připojte hnědý vodič ke svorce pod napětím na nové zástrčce.
- ◆ Modrý vodič připojte k nulové svorce.

Varování! Na zemní svorku nebude připojen žádný vodič. Dodržujte montážní pokyny dodávané s kvalitními zástrčkami. Doporučená pojistka: 13 A.

Ochrana životního prostředí



Tříděte odpad. Tento výrobek nesmí být likvidován v běžném komunálním odpadu.

Pokud nebudete výrobek Black & Decker dále používat nebo přejete-li si jej nahradit novým, nelikvidujte jej spolu s běžným komunálním odpadem. Zajistěte likvidaci tohoto výrobku v tříděném odpadu.



Tříděný odpad umožňuje recyklaci a opětovné využití použitých výrobků a obalových materiálů. Opětovné použití recyklovaných materiálů pomáhá chránit životní prostředí před znečištěním a snižuje spotřebu surovin.

Při zakoupení nových výrobků vám prodejny, místní sběrný odpadů nebo recyklační stanice poskytnou informace o správné likvidaci elektroodpadů z domácnosti.

Společnost Black & Decker poskytuje službu sběru a recyklace výrobků Black & Decker po skončení jejich provozní životnosti. Chcete-li získat výhody této služby, odevzdejte prosím váš výrobek kterémukoli autorizovanému zástupci servisu, který nářadí odebere a zajistí jeho recyklaci.

Místo nejbližšího autorizovaného servisu Black & Decker naleznete na příslušné adrese uvedené v tomto návodu. Seznam autorizovaných servisů Black & Decker a podrobnosti o poprodejním servisu naleznete také na internetové adrese: www.2helpU.com

Technické údaje

	KX1650 (Typ 1)	
Napájecí napětí	V	230
Konstrukce		Třída II
Příkon	W	1750
Rozsah provozních teplot	°C	460 - 600
Hmotnost	kg	0,6

Záruka

Společnost Black & Decker je přesvědčena o kvalitě svých výrobků a nabízí mimořádnou záruku. Tato záruka je nabízena ve prospěch zákazníka a nijak neovlivní jeho zákonná záruční práva. Tato záruka platí ve všech členských státech EU a evropské zóny volného obchodu EFTA.

Objeví-li se na výrobku Black & Decker, v průběhu 24 měsíců od zakoupení, jakékoli materiálové či výrobní vady, společnost Black & Decker garantuje ve snaze o minimalizování vašich starostí bezplatnou výměnu vadných dílů, opravu nebo výměnu celého výrobku za níže uvedených podmínek:

- ♦ Výrobek nebyl používán pro obchodní nebo profesionální účely a nedocházelo k jeho pronájmu;
- ♦ Výrobek nebyl vystaven nesprávnému použití a nebyla zanedbána jeho předepsaná údržba;
- ♦ Výrobek nebyl poškozen cizím zaviněním;
- ♦ Opravy nebyly prováděny jinými osobami, než autorizovanými opraváři nebo mechaniky autorizovaného servisu Black & Decker.

Požadujete-li záruční opravu, budete muset prodejci nebo zástupci autorizovaného servisu předložit doklad o zakoupení výrobku. Místo nejbližšího autorizovaného servisu Black & Decker naleznete na příslušné adrese uvedené v tomto návodu. Seznam autorizovaných servisů Black & Decker a podrobnosti o poprodejním servisu naleznete také na internetové adrese: www.2helpU.com

Navštivte prosím naše internetové stránky www.blackanddecker.co.uk, kde můžete zaregistrovat váš nový výrobek Black & Decker a kde můžete získat informace o našich nových výrobcích a speciálních nabídkách. Na adrese www.blackanddecker.co.uk jsou k dispozici další informace o značce Black & Decker a o celé řadě našich dalších výrobků.

Rendeltetésszerű használat

Az Ön Black & Decker hőlégfűvőjét melegítést igénylő különféle alkalmazásokhoz (pl. festékel távolítás) terveztük. Ez a termék kizárólag háztartási és beltéri használatra készült.

Biztonsági előírások

Elektromos kéziszerszámokra vonatkozó általános biztonságtechnikai figyelmeztetések



Figyelmeztetés! Olvasson el minden biztonsági figyelmeztetést és útmutatást. Az alábbi figyelmeztetések, útmutatások figyelmen kívül hagyása áramütést, tüzet és/vagy súlyos sérülést okozhat.

Őrizze meg a figyelmeztetéseket és a használati útmutatót későbbi felhasználásra. Az „elektromos szerszám” kifejezés a figyelmeztetésekben az Ön által használt vezetékes vagy akkumulátorral üzemeltetett (vezeték nélküli) elektromos szerszámot jelenti.

1. A munkaterület biztonsága

- A tartsa a munkaterületet tisztán és jól megvilágítva.** A rendetlen és sötét munkaterület vonzza a baleseteket.
- Ne használja az elektromos szerszámot robbanásveszélyes légtérben, például gyúlékony folyadékok, gázok vagy por jelenlétében.** Az elektromos szerszámokban képződő szikrától a por vagy a gázok meggyulladhatnak.
- Az elektromos szerszám használata közben tartsa távol a gyermekeket és az arra járókat.** Ha elterelik a figyelmét, elveszítheti a szerszám feletti uralmát.

2. Elektromos biztonság

- Az elektromos kéziszerszám dugaszának olyan kialakításának kell lennie, amely megfelel a hálózati csatlakozóaljzat kialakításának. Soha ne alakítsa át a csatlakozódugaszt.** A földelt kéziszerszámokhoz ne használjon adapter dugaszt. Eredeti (nem átalakított) csatlakozó és megfelelő fali aljzatok használata mellett kisebb az áramütés veszélye.
- Ügyeljen arra, hogy teste ne érintkezzék földelt felületekkel, például csövezetekkel, radiátorral, tűzhellyel vagy hűtőszekrényvel.** Ha teste földelést kap, nagyobb az áramütés veszélye.
- Esőtől és egyéb nedvességtől óvja az elektromos szerszámokat.** Ha víz kerül az elektromos szerszámra, nagyobb az áramütés veszélye.

- Óvatosan kezelje a tápkábelt. Az elektromos kéziszerszámot soha ne hordozza és ne húzza a tápkábelnél fogva, a dugaszt pedig ne a kábelnél fogva húzza ki a konnektorból. Óvja a kábelt hőtől, olajtól, éles szélektől, illetve mozgó alkatrészekről.** A sérült vagy összekuszálódott kábel növeli az áramütés veszélyét.
- Ha a szabadban használja az elektromos szerszámot, kültéri használatra alkalmas hosszabbító kábelt vegyen igénybe.** Kültéri használatra alkalmas hosszabbító kábellel csökkentheti az áramütés veszélyét.
- Ha az elektromos szerszám nedves helyen való használata elkerülhetetlen, alkalmazzon Fi-relével védett áramforrást.** Hibaáramvédelemmel ellátott áramforrás használata mellett kisebb az áramütés veszélye.

3. Személyes biztonság

- Soha ne veszítse el éberségét, figyeljen a munkájára, használja a józan eszét, amikor elektromos szerszámmal dolgozik. Ne dolgozzon elektromos szerszámmal, ha fáradt, ha gyógyszer, alkohol hatása vagy gyógykezelés alatt áll.** Elektromos szerszám használata közben egy pillanatnyi figyelmetlenség is súlyos személyi sérülést okozhat.
- Viseljen személyi védőfelszerelést. Mindig hordjon védőszemüveget.** A védőfelszerelések, például porvédő maszk, biztonsági csúszásmentes cipő, védősisak vagy fülvédő csökkentik a személyi sérülés veszélyét.
- Gondoskodjon arról, hogy a szerszám ne indulhasson be véletlenül. Ellenőrizze, hogy a szerszám kapcsolója kikapcsolt állásban van-e, mielőtt azt a hálózatra és/vagy akkumulátorra csatlakoztatja, a kezébe veszi vagy hordozza.** Ha a szerszámot úgy hordozza, hogy az ujját közben a kapcsolón tartja, vagy bekapcsolt szerszámot helyez áram alá, azzal balesetet okozhat.
- Távolítsa el a beállításhoz használt kulcsot vagy csavarkulcsot, mielőtt bekapcsolja az elektromos szerszámot.** Forgó alkatrésze illesztett kulcs vagy csavarkulcs a szerszám beindulásakor személyi sérülést okozhat.
- Ne nyúljon ki túlságosan messzire. Mindig megfelelően támassza meg a lábát, és tartsa magát egyensúlyban.** Így a szerszámot váratlan helyzetekben is jobban tudja irányítani.
- Viseljen megfelelő öltözetet. Ne hordjon laza ruházatot vagy ékszert. Haját, ruházatát és kesztyűjét tartsa távol a mozgó alkatrészekről.** A laza öltözék, az ékszerek

vagy a hosszú haj beakadhatnak a mozgó alkatrészekbe.

- g. Ha az adott eszközhöz porelszívó vagy porgyűjtő is tartozik, ügyeljen azok helyes csatlakoztatására és használatára.** Porgyűjtő használatával csökkenthetők a porral kapcsolatos veszélyek.
- 4. Elektromos szerszámok használata és gondozása**
- a. Ne erőltesse túl az elektromos szerszámot. A munkafeladatnak megfelelő elektromos szerszámot használja.** Jobban és biztonságosabban végezheti el a munkát, ha a szerszámot olyan fordulatszámom működteti, amilyenre tervezték.
- b. Ne használja az elektromos szerszámot, ha a saját kapcsolójával nem lehet be- és kikapcsolni.** A kapcsolóhibás elektromos szerszámok használata veszélyes, azokat meg kell javítani.
- c. Mielőtt beállítást végez vagy változtat, vagy tartozékot cserél a szerszámon, illetve mielőtt a helyére elteszi, húzza ki a készülék dugaszát a konnektorból és/vagy az akkumulátorról.** Ezekkel a megelőző biztonsági intézkedésekkel csökkenti a szerszám véletlen beindulásának veszélyét.
- d. A használaton kívüli elektromos szerszámot olyan helyen tárolja, ahol gyermekek nem férhetnek hozzá; és ne engedje, hogy olyan személyek használják, akik nem ismerik a szerszámot vagy ezen útmutatásokat.** Gyakorlatlan felhasználó kezében az elektromos szerszám veszélyes.
- e. Tartsa karban az elektromos szerszámokat. Ellenőrizze, hogy a mozgó alkatrészek nem állítottak-e el vagy nem szorulnak-e, nincsenek-e a szerszámon törött alkatrészek, nem állnak-e fenn olyan körülmények, amelyek befolyásolhatják a szerszám működését. Ha sérült a szerszám, használat előtt javíttassa meg.** A nem megfelelően karbantartott elektromos szerszámok számos balesetet okoznak.
- f. A vágószerszámokat tartsa mindig élesen és tisztán.** A megfelelően karbantartott éles vágószerszám kisebb valószínűséggel szorul be, és könnyebben irányítható.
- g. Az elektromos szerszámot, tartozékokat, szerszámbefogókat stb. ezeknek az útmutatásoknak megfelelően használja, a munkakörülmények és az elvégzendő feladat figyelembe vételével.** Az elektromos szerszám nem rendeltetésszerű használata veszélyhelyzetet teremthet.

5. Szerviz

- a. A szerszámot képzett szakemberrel szervizeltesse, és csak eredeti cserealkatrészeket használjon fel.** Ezzel biztosítja az elektromos kéziszerszám folyamatos biztonságát.

Elektromos szerszámokra vonatkozó további biztonsági figyelmeztetések



Figyelmeztetés! További biztonsági útmutatások hőlégfúvókához

Figyelmeztetés: Csak beltéren használja, kültéri használata tilos.

Figyelmeztetés: Amikor a készülék használaton kívül van, a támaszára állítva tárolja.

Figyelmeztetés: A készülék kellő óvatosság nélküli használata tüzet okozhat, ezért legyen nagyon körültekintő, amikor olyan helyen végez munkát, ahol gyúlékony anyagok vannak jelen.

- ◆ Ne irányítsa hosszú ideig egy helyre.
- ◆ Ne használja robbanásveszélyes légtérben.
- ◆ Legyen tudatában annak, hogy a kiáramló hő a látómezején kívül eső gyúlékony anyagokkal kerülhet érintkezésbe.
- ◆ Tegye a szerszámot a támaszára, és hagyja lehűlni, mielőtt a helyére eltenné.
- ◆ Bekapcsolt állapotú szerszámot ne hagyjon felügyelet nélkül.
- ◆ Ne torlaszolja el sem a szellőzőnyílásokat sem a fúvókanyílást, mert a készülékben megrekedő hő károsítja a szerszámot.
- ◆ Ne irányítsa a forró levegőáramot emberekre vagy állatokra.
- ◆ Ne érjen a fúvókához, mert a szerszám használata folyamán az nagyon felforrósodik, és használat után még 30 percig is forró maradhat.
- ◆ Használat közben, illetve közvetlenül használat után semmihez ne érintse hozzá a fúvókát.
- ◆ Ne dugjon semmit a fúvókába, mert áramütést szenvedhet.
- ◆ Ne nézzen lefelé a fúvókára, amikor a készülék be van kapcsolva.
- ◆ Ne használja a készüléket hajszárítóként! A levegő hőmérséklete a fémtárgyaknál sokkal magasabb.
- ◆ Gondoskodjék megfelelő szellőzésről, mert a szerszám használata közben mérgező gőzök keletkezhetnek.
- ◆ Ne használja a készüléket párás légtérben.
- ◆ Festék eltávolításakor különítse el a munkaterületet. Hordjon a mérgező porok és gőzök belélegzésének megakadályozására készült légzésvédő pormaszkot, és győződjön meg arról, hogy minden, a munkaterületen tartóz-

kodó vagy oda belépő személy is megfelelő védelemmel legyen ellátva.

- ◆ A festéket ne égesse el, mert az tűzveszéllyel jár.
- ◆ Ne hagyja, hogy festék ragadjon a fűvókára, mert egy idő után a festék meggyulladhat.
- ◆ Tartozék felszerelése előtt kapcsolja ki, majd hagyja lehűlni a készüléket.

Ólomalapú festék eltávolítása

- ◆ A festéket különös óvatossággal távolítsa el. A lekaptart festék, illetve maradékai és gőzei mérgező ólmot tartalmazhatnak. 1960 előtti épületeknél előfordulhat, hogy azokat ólomtartalmú festékekkel festették. Lehetséges, hogy erre a festékre további festékrétegeket vittek fel. Ha a felületekre lerakódó festéket a kezével érinti, majd később a kezével a szájához ér, előfordulhat, hogy ólmot nyel.
- ◆ Az ólom már kis mennyiségben is helyrehozhatatlanul károsíthatja az agyat és az idegrendszert. Az ólommérgezés veszélye különösen a gyermekeket és várandós nőket fenyegeti.
- ◆ Fontos, hogy még a munka megkezdése előtt megbizonyosodjon arról, hogy az eltávolítandó festék tartalmaz-e ólmot. A próbát tesztkészlettel vagy professzionális dekorátor segítségével lehet lebonyolítani. Ne dohányozzon, ne egyen és ne igyon a munkaterületen, ha az ólomszennyeződésnek van vagy lehet kitéve. Ólomalapú festéket csak szakember távolíthat el, és nem hőlégfúvóval.

Mások biztonsága

- ◆ Ezt a szerszámot nem használhatják olyan személyek (a gyermekeket is beleértve), akik nincsenek fizikai, érzékelési vagy mentális képességeik teljes birtokában, vagy nincs meg a szükséges tapasztalatuk és tudásuk, kivéve, ha a biztonságukért felelős személy felügyeletet vagy a készülék használatához megfelelő kioktatást biztosít számukra.
- ◆ Ügyelni kell arra, hogy a gyermekek ne játsszanak a készülékkel.

Fennmaradó veszélyek.

A biztonsági figyelmeztetéseknél ismertetett veszélyeken kívül a szerszám használata más veszélyekkel is jár. Ezek a szerszám rendeltetésétől eltérő, illetve huzamosabb idejű használatából stb. adódhatnak.

Bizonyos veszélyek a vonatkozó biztonsági előírások alkalmazása és a védőeszközök használata ellenére sem kerülhetők el. Ezek a következők lehetnek:

- ◆ **A forgó/mozgó alkatrészek érintése által okozott sérülések.**
- ◆ **Az alkatrészek, vágópengék, tartozékok cseréje közben bekövetkező sérülés.**
- ◆ **A szerszám huzamosabb idejű használata által okozott egészségkárosodás. Ha a szerszámot huzamosabb ideig használja, rendszeresen iktasson be szüneteket.**
- ◆ **Halláskárosodás.**
- ◆ **A fűrészpor belégzése miatti egészségi veszély (pl. faanyag, különösen tölgy, bükk és rétegelt lemez (MDF) vágásánál).**

Címkék a szerszámon

A szerszámon a következő piktogramok láthatók:



Figyelmeztetés! A sérülésveszély csökkentése érdekében a felhasználónak át kell olvasnia a kezelési kézikönyvet.

Elektromos biztonság



A szerszám kettős szigetelésű; ezért nincs szükség földelő vezetékre. Mindig ellenőrizze, hogy a szerszám adattábláján megadott feszültség egyezik-e a hálózati feszültséggel.

- ◆ Ha a hálózati kábel sérült, a veszély elkerülése érdekében cseréltesse ki a gyártóval vagy egyik hivatalos Black & Decker szakszervizzel.

Hosszabbító kábelek

- ◆ Mivel a szerszám kettős szigetelésű és II. kategóriájú, 2- vagy 3-eres kábellel használható.
- ◆ 30 m-nél (100 láb) nem hosszabb kábel még energiaveszteség nélkül alkalmazható.

Leírás

A szerszám az alábbi tartozékok némelyikét vagy mindegyikét tartalmazza.

1. Be- és kikapcsoló
2. Fűvóka

Összeszerelés

Figyelmeztetés! Összeszerelés előtt ellenőrizze, hogy a szerszám ki van-e kapcsolva, és a dugasza ki van-e húzva a konnektorból.

Tartozékok felszerelése

Tartozékkészlet a helyi forgalmazótól beszerezhető.

- **Pontfűvóka:** A levegőáramot kisebb felületre összpontosítja.
- **Felület fűvóka:** A levegőáramot nagyobb felületre szórja szét.
- **Kanalas reflektor fűvóka:** Csövek hegesztésénél.

- **Üvegvédő fúvóka:** Festéktávoltítás közben védi az üvegfelületet.
 - **Kaparó:** Festék és lakk eltávolításánál.
- ◆ Illesse fel a tartozék csatlakozó részét a fúvókára (2).

A szerszám használata

Be- és kikapcsolás

- ◆ A be- és kikapcsolót I állásba tolvá a szerszámot lassú levegőáramlásra és kisebb hőteljesítményre kapcsolhatja.
- ◆ A be- és kikapcsolót II állásba tolvá a szerszámot gyors levegőáramlásra és nagyobb hőteljesítményre kapcsolhatja.
- ◆ A szerszám kikapcsolásához tolvá a be- és kikapcsolót O állásba.

A szerszám használata

A szerszámot az Ön biztonsága érdekében természetesen szereltük fel. Ha folyamatosan nagyon hosszú ideig vagy erős igénybevétel mellett használja, a szerszám túlmelegedhet és leállhat. Ezért javasoljuk, tartson rendszeresen szüneteket, hogy a szerszámnak legyen ideje lehűlni.

- ◆ Használat előtt hagyja a szerszámot néhány másodpercig melegedni.
- ◆ A legelső használatnál előfordulhat, hogy füst szivárog a fúvókából. Ez természetes jelenség, és hamar megszűnik.
- ◆ Festék és lakk szárításához, matricák eltávolításához, szigetelő csövek zsugorításához és fagyott csövek felolvasztásához alacsony hőmérsékletet állítson be.
- ◆ Festék és lakk eltávolításához, vízcsövek kötéseinek hegesztéséhez magas hőmérsékletet állítson be.
- ◆ Ha nem biztos abban, hogy a szerszámot adott anyagnál használhatja-e, állítsa alacsony hőmérsékletre, és tegyen próbát az anyag egy hulladékdarabján.

Kéz nélküli használat (A ábra)

A kézzel való érintés nélküli használat végett a szerszám támaszokkal (3) van ellátva, amelyekkel a felületre állítható.

- ◆ A szerszámot felfelé néző fúvókával olyan felületre helyezze, ahol nem tud felborulni.
- ◆ A kábelt úgy helyezze el, hogy a szerszámot ne kelljen rajta áthúzni.

Figyelmeztetés! A szerszámot soha ne irányítsa önmaga vagy mások felé. Ne érjen a fúvókához. Ügyeljen arra, hogy anyag ne essen be a fúvókába.

Festéktávoltítás

- ◆ Irányítsa a meleg levegőt a munkaterületre, hogy a festék felmelegedjen.

- ◆ Ne égesse le a festéket. A fúvókát a felülettől legalább 25 mm-es távolságban tartsa.
- ◆ Amikor a festék felpuhult, kaparja le kézi kaparóval. A felpuhult festéket azonnal kaparja le, különben ismét megkeményedik.
- ◆ Lehetőleg a fa szálainak irányában kaparja le a festéket.
- ◆ Ne hagyja, hogy a festéktörmelék összegyűljön a kaparón.
- ◆ Függetlenül a helyzetben végzett festéktávoltításkor felfelé lefelé kaparjon, hogy a festék ne essen vissza a fúvókába.
- ◆ Amikor üvegfelület közelében távolít el festéket, tegye meg a szükséges intézkedéseket az üvegfelület hő elleni védelmére.

Figyelmeztetés! Ha fém- vagy fakeretes ablakról távolít el festéket, használjon üvegvédő fúvókát.

- ◆ Biztonságosan távolítsa el minden festékmaradványt, és gondoskodjon arról, hogy a munkaterület a munka befejezése után tiszta legyen.

A szerszám lehűlése

Használat közben a fúvóka rendkívül felforrósodik. Kikapcsolás után legalább 30 percig hagyja a szerszámot lehűlni.

- ◆ A szerszámot felfelé néző fúvókával olyan felületre helyezze, ahol nem tud felborulni.
- ◆ Meggyorsíthatja a szerszám lehűlését, ha kikapcsolás előtt néhány percig minimális hőmérsékleten járhatja.

Karbantartás

Az Ön Black & Decker készülékét minimális karbantartás mellett hosszú távú használatra terveztük. A szerszám folyamatos és kielégítő működése függ a megfelelő gondozástól és a rendszeres tisztítástól is.

Figyelmeztetés! Bármilyen karbantartás végzése előtt kapcsolja ki, áramtalanítsa és hagyja lehűlni a készüléket.

- ◆ Puha kefével vagy száraz ronggyal rendszeresen tisztítsa meg a szellőzőnyílásokat.
- ◆ A készüléket csak enyhe szappanos vízzel és nedves ronggyal tisztítsa. Ne használjon súroló hatású vagy oldószer alapú tisztítószert. Ne hagyja, hogy a szerszám belsejébe folyadék kerüljön, és ne is merítse a szerszám alkatrészeit folyadékba.

Tápcsatlakozó cseréje (csak az Egyesült Királyságban és Írországban)

Ha új tápcsatlakozó dugaszra van szüksége:

- ◆ A régi dugaszt biztonságos módon semmisítse meg.
- ◆ A barna vezetékét kösse az új csatlakozódugó fázis csatlakozójához.

- ◆ A kék vezetékét csatlakoztassa a nulla érintkezőhöz.

Figyelmeztetés! A földelő csatlakozóhoz nem kell vezetékét kötnie. Kövesse a minőségi dugaszokhoz mellékelt szerelési útmutatót. Ajánlott biztosíték: 13 A.

A környezet védelme



Elkülönítve gyűjtendő. Ez a termék nem kezelhető általános háztartási hulladékként.

Ha egy napon úgy találja, hogy Black & Decker készülékét le kell cserélnie vagy arra a továbbiakban nincs szüksége, ne a háztartási hulladékkal együtt dobja ki. Gondoskodjék az ilyen hulladék elkülönített kezeléséről.



Az elhasznált termékek és csomagolásuk elkülönített kezelése lehetővé teszi az anyagok újrahasznosítását és újrafelhasználását. Az újrahasznosított anyagok felhasználása segít a környezetszennyezés megelőzésében és csökkenti a nyersanyagok iránti igényt.

A helyi rendelkezések előírhatják az elektromos termékek háztartási hulladéktól elkülönített gyűjtését a helyi hulladékgyűjtő helyeken, illetve előírhatják, hogy új termék vásárlásakor a kereskedő vállalja az elhasznált termék visszavételét.

A Black & Decker lehetőséget biztosít a Black & Decker termékek begyűjtésére és újrafeldolgozására, amint azok elérték élettartamuk végét. A szolgáltatás igénybevételéhez kérjük, juttassa vissza a terméket bármely márkaszervizbe, ahol vállalatunk képviselőjében azt átveszik.

Az Önhöz legközelebbi márkaszerviz címét a helyi Black & Decker képviselőtől vagy ebből a kézikönyvből tudhatja meg. Emellett a hivatalos Black & Decker szervizek listája, illetve eladás utáni szolgáltatásaink és ezek elérhetőségének részletes ismertetése a következő honlapon érhető el: www.2helpU.com

Műszaki adatok

		KX1650 (1. típus)
Bemenő feszültség	V _{ac}	230
Konstrukció		II. osztály
Teljesítményfelvétel	W	1750
Hőmérséklet-tartomány	°C	460 – 600
Súly	kg	0,6

Garancia határozat

A Black & Decker elhivatott a termékei minősége iránt, és kiterjesztett garanciát kínál. Ez a garanciahatározat csak kiegészíti és semmi esetre sem befolyásolja hátrányosan az Ön törvényes jogait. A garancia az Európai Unió tagállamai területén, valamint az Európai Szabadkereskedelmi Társulás (EFTA) területén érvényes.

Ha egy Black & Decker termék anyaghiba, a kivitelezés módja vagy a megfelelés hiánya miatt meghibásodik, az eladás dátumától számított 24 hónapig a Black & Decker garanciát vállal a hibás alkatrészek cseréjére, a normál kopásnak kitett termékek javítására, illetve az ilyen termékek kicserélésére, hogy ügyfeleinek a lehető legkisebb kellemetlenséget okozza az alábbi feltételekkel:

- ◆ A terméket nem használták kereskedelmi, ipari alkalmazásokhoz, és nem adták bérbe;
- ◆ A terméket rendeltetésszerűen és körültekintően használták;
- ◆ A termék nem idegen tárgyaktól, szennyező-déstől vagy külső behatástól sérült meg;
- ◆ A termék javítására nem tett kísérletet olyan személy, aki nem tartozik a hivatalos szerviz vagy a Black & Decker szervizszemélyzet tagjai közé.

A garancia érvényesítéséhez az eladónak vagy a hivatalos szerviznek be kell nyújtani a vásárláskor kapott számlát. Ha igénybe veszi ezt a szolgáltatást, kérjük, juttassa el készülékét a legközelebbi Black & Decker szervizbe, melyekről a magyarországi képviselőnél érdeklődhet. A szervizzel kapcsolatosan a következő Internet oldalon is felvilágosítást kaphat: www.2helpU.com.

A következő meghibásodások esetén a garancia kizárt:

- ◆ Elhasználódott, illetve károsodott kések, és a hálózati kábel. Azok az alkatrészek, amelyek a normál használat során elkopnak.
- ◆ Azok a meghibásodások, amelyek a szakszerűtlen kezelésből eredtek.
- ◆ Azok a hibák, amelyek a kezelési útmutató be nem tartásából eredtek.

Kizárólag csak eredeti Black & Decker tartozékok és alkatrészek alkalmazhatók. Ellenkező esetben teljesítménycsökkenés léphet fel, és a gép elveszti a garanciát. Ha garanciális igénye van, feltétlen mellékelje a jótállási jegyet és a vásárlási okmányokat (számlát).

BLACK & DECKER GARANCIÁLIS FELTÉTELEK

Gratulálunk Önnek ennek az értékes Black & Decker készülék megvásárlásához.

Azon termékeinkre, amelyet fogyasztói használat keretében háztartási, hobby célra vásárolnak **24 hónap jótállást biztosítunk.**

A termék iparszerű használatra nem alkalmas!

A jótállás a fogyasztó törvényből eredő jogait nem érinti.

- 1) **Black & Decker** kötelezettséget vállal arra, hogy a garanciális javításokat a **49/2003. (VII. 30.) GKM** és a **151/2003 (IX.22.) sz. Korm.** rend. szerint végzi.
 - a) A fogyasztó jótállási igényét a jótállási jeggyel érvényesítheti, ezért azt őrizze meg.
 - b) Vásárláskor az eladónak a garanciaokmányt fel kell tüntetnie a vásárlás időpontját, a termék típusát vagy termékkódját, a kereskedés nevét, címét pedig a jótállási jegyre rá kell bélyegezni. Ennek alapján szerez jogosultságot a vevő a garancia időn belüli ingyenes garanciális javításra.
 - c) Jótállási javítást csak érvényes jótállási jegy alapján végezhetnek a kijelölt szervizek.
 - d) A jótállási jegyen történt bármilyen javítás, törlés vagy átírás, valótlan adatok bejegyzése, a jótállási jegy érvénytelenségét vonja maga után.
 - e) Elvesztett jótállási jegyet csak a vásárlási számla felmutatásával, térítés ellenében tudunk pótolni!
 - f) A jótállási jegy szabályatlan kiállítása vagy a fogyasztó részére történő átadásának elmaradása nem érinti a jótállási kötelezettségvállalás érvényességét.
- 2) **Nem terjed ki a garancia:**
 - a) Ha a hiba rendeltetésszerű használat, átalakítás, szakszerűtlen kezelés, helytelen tárolás, elemi kár vagy egyéb, vásárlás után keletkezett okból következett be. *(A rendeltetésszerű használat elkerülése céljából a termékhez magyar nyelvű vásárlói tájékoztatót mellékelünk és kérjük, hogy az abban foglaltakat saját érdekében tartsa be!)*
 - b) Az olyan károsodásokra, amelyek a szerszámok iparszerű (professzionális), közületi, valamint kölcsönzési felhasználása miatt keletkeztek.
 - c) Azon alkatrészekre, amelyeknél a meghibásodás garanciaidőn belül a helyes kezelés, karbantartás szerinti rendeltetésszerű üzemeltetés mellett az alkatrészek természetes elhasználódása, kopása következtében állt elő. *(ezek a következők: megmunkáló szerszámok pl. vágószerszám, fűrészlánc, fűrészlap, gyalukés stb. továbbá: meghajtószíj, csapágy, szénkefe, csillagkerék kpl.)*
 - d) A készülék túlterhelése miatt jelentkező hibákra, amelyek a hajtómű meghibásodásához, vagy egyéb ebből adódó károkhoz vezetnek.
 - e) A termék nem hivatalos szervizben történt javításából eredő hibákra.
 - f) Az olyan károsodásokra, amelyek nem eredeti Black & Decker kiegészítő készülékek és tartozékok használatából adódnak.

- 3) **A fogyasztó** a kijavítás iránti igényét a forgalmazónál, illetve a jótállási jegyen feltüntetett javítószolgálatnál érvényesítheti.
 - Meghosszabbodik a jótállási idő a kijavítási idő azon részével, amely alatt a fogyasztó a terméket nem tudta rendeltetésszerűen használni.
 - A jótállási és szavatossági jogok érvényesíthetőségének határidején belül a termékek vagy jelentősebb részének kicserélése (kijavítása) esetén a kicserélt (kijavított) termékre (termékrészre) 12 hónap jótállást biztosítunk. Ezek a következők: motor illetve állórész, forgórész, elektronika.
 - Ha a fogyasztási cikk a vásárlástól (üzembe helyezéstől) számított három munkanapon belül meghibásodik, a fogyasztó kérheti annak kicserélését feltéve, hogy a meghibásodás a rendeltetésszerű használatot akadályozza. A Black & Decker Hungary Kft. a meghibásodás okának feltárása céljából fenntartja a jogot a hibás termék vizsgálatára. Amennyiben a reklamáció alkalmával a meghibásodás garanciális voltáról nem nyilatkozunk, úgy 72 órán belül kell értesítenünk a vásárlót a reklamáció intézésének módjáról.
Ha a csere nem lenne lehetséges, műszakilag hasonló készülék kerül felajánlásra, vagy visszafizethető a vételár.

Amennyiben a hiba keletkezése, ténye, jellege, (pl. rendeltetésszerű használat, stb.) miatt vita merül fel, a Fogyasztó szakvéleményt kérhet a az arra illetékes szervtől / jogi személytől. A szakvélemény térítésköteles és nem kötelező érvényű a Forgalmazó számára.

- 4) **Garanciális javítás esetén** a szerviznek a garanciaokmányt az alábbi adatokat kell feltüntetnie:
 - a garanciális igény bejelentésének dátumát,
 - a hiba rövid leírását,
 - a javítás módját és időtartamát,
 - a készülék visszaadásának időpontját,
 - javítás időtartamával meghosszabbított új garanciaidőt.
- 5) **Arra törekszünk, hogy szervizhálózatunkon** keresztül kiváló javítószolgálatot, zökkenőmentes alkatrészellátást, és széles tartozékpalettát biztosítsunk.
- 6) **A fogyasztót a Polgári Törvénykönyvről szóló 1959. évi IV. törvény 306-310. §-ában, valamint a 49/2003. (VII. 30.) GKM** rendeletben meghatározott jogok illetik meg.

Gyártó:

Black & Decker GmbH
D – 65510 Idstein/Ts
Black & Decker str. 40.

Importőr:

Stanley Black & Decker
Hungary Kft., 1016 Budapest
Mészáros u. 58/b

Przeznaczenie

Opalarka Black & Decker została zaprojektowana do różnych zastosowań z użyciem gorącego powietrza takich, jak usuwanie farby. Ten produkt przeznaczony jest wyłącznie do użytku amatorskiego.

Zasady bezpiecznej pracy

Ogólne wskazówki dotyczące bezpiecznej pracy elektronarzędziami



Uwaga! Należy zapoznać się ze wszystkimi ostrzeżeniami dotyczącymi bezpiecznej pracy oraz z instrukcją obsługi. Nie stosowanie się do ostrzeżeń i zaleceń zawartych w tej instrukcji obsługi, może być przyczyną porażenia prądem elektrycznym, pożaru i/lub poważnego zranienia.

Zachowaj wszystkie instrukcje i informacje dotyczące bezpiecznej pracy, aby móc korzystać z nich w przyszłości. Pojęcie "elektonarzędzie" używane w niniejszej instrukcji, oznacza narzędzie zasilane z sieci elektrycznej (przewodem zasilającym) lub akumulatorami (bezprowodowe).

1. **Bezpieczeństwo w miejscu pracy**
 - a. **Miejsce pracy musi być czyste i dobrze oświetlone.** Miejsca ciemne i takie, w których panuje nieporządek stwarzają ryzyko wypadku.
 - b. **Nie wolno używać elektronarzędzi w strefach zagrożenia wybuchem, w pobliżu palnych cieczy gazów czy pyłów.** Elektronarzędzia mogą wytworzyć iskry powodujące zapłon pyłów lub oparów.
 - c. **W czasie pracy elektronarzędziami nie pozwalaj na przebywanie w pobliżu dzieci i innych osób postronnych.** Chwila nieuwagi może spowodować utratę kontroli nad narzędziem.
 2. **Ochrona przed porażeniem prądem elektrycznym**
 - a. **Gniazdo musi być dostosowane do wtyczki elektronarzędzia. Nie wolno przerabiać wtyczek. Nie używaj żadnych łączników lub rozdzielaczy elektrycznych z uziemionymi elektronarzędziami.** Nie przerabiane wtyczki i odpowiednie gniazda zmniejszają ryzyko porażenia prądem elektrycznym.
 - b. **Należy unikać bezpośredniej styczności z uziemionymi lub zerowanymi powierzchniami, takimi jak rurociągi, grzejniki, kuchenki i lodówki.** Ryzyko porażenia prądem elektrycznym wzrasta, jeśli twoje ciało jest zerowane lub uziemione.
 - c. **Nie narażaj elektronarzędzi na działanie deszczu lub zwiększonej wilgotności.** Woda, która dostanie się do wnętrza elektronarzędzia zwiększa ryzyko porażenia prądem elektrycznym.
 - d. **Nie wolno ciągnąć za przewód zasilający. Nie wolno ciągnąć, podnosić ani wyciągać wtyczki z gniazda, poprzez ciągnięcie za przewód zasilający narzędzia. Chroń przewód zasilający przed kontaktem z gorącymi elementami, olejami, ostrymi krawędziami i ruchomymi częściami.** Uszkodzenie lub zaplątanie przewodu zasilającego zwiększa ryzyko porażenia prądem elektrycznym.
 - e. **W czasie pracy elektronarzędziem poza pomieszczeniami zamkniętymi, należy używać przystosowanych do tego przedłużaczy.** Korzystanie z przedłużaczy przystosowanych do użycia na dworze, zmniejsza ryzyko porażenia prądem.
 - f. **Jeśli zachodzi konieczność używania narzędzia w wilgotnym otoczeniu, należy używać źródła zasilania zabezpieczonego wyłącznikiem różnicowoprądowym.** Stosowanie wyłączników różnicowoprądowych zmniejsza ryzyko porażenia prądem elektrycznym.
3. **Środki ochrony osobistej**
 - a. **W czasie pracy elektronarzędziem zachowaj czujność, patrz uważnie i kieruj się zdrowym rozsądkiem. Nie używaj elektronarzędzia w stanie zmęczenia, pod wpływem narkotyków, alkoholu lub leków.** Nawet chwila nieuwagi, w czasie pracy elektronarzędziem, może doprowadzić do poważnego uszkodzenia ciała.
 - b. **Używaj środków ochrony osobistej. Zawsze zakładaj okulary ochronne.** Używanie, w miarę potrzeb, środków ochrony osobistej, takich jak maska przeciwpyłowa, buty ochronne z antypoślizgową podeszwą, kask czy ochrona słuchu, zmniejsza ryzyko odniesienia uszczerbku na zdrowiu.
 - c. **Zapobiegaj przypadkowemu włączeniu. Przed przyłączeniem do zasilania i/lub włożeniem akumulatorów oraz przed podniesieniem i przenoszeniem narzędzia, należy upewnić się, że wyłącznik znajduje się w pozycji "wyłączone".** Trzymanie palca na wyłączniku podczas przenoszenia lub włączania narzędzia, łatwo staje się przyczyną wypadków.
 - d. **Przed włączeniem elektronarzędzia, usuń wszystkie klucze i narzędzia do regulacji.** Klucz pozostawiony zamocowany do obrotowej

części elektronarzędzia może spowodować obrażenia.

- e. **Nie wychylaj się. Przez cały czas zachowuj solidne oparcie nóg i równowagę.** Dzięki temu masz lepszą kontrolę nad elektronarzędziem w nieoczekiwanych sytuacjach.
 - f. **Założ odpowiedni strój. Nie nos luźnych ubrań ani biżuterii. Trzymaj włosy, ubranie i rękawice z dala od ruchomych elementów.** Luźne ubranie, biżuteria lub długie włosy mogą zostać pochwycone przez ruchome części.
 - g. **Jeśli sprzęt jest przystosowany do przyłączenia urządzeń odprowadzających i zbierających pył, upewnij się, czy one przyłączone i właściwie użytkowane.** Używanie takich urządzeń zmniejsza zagrożenia związane z obecnością pyłów.
4. **Obsługa i konserwacja elektronarzędzi**
- a. **Nie przeciążaj elektronarzędzia. Używaj elektronarzędzi odpowiednich do rodzaju wykonywanej pracy.** Dzięki odpowiednim elektronarzędziom wykonasz pracę lepiej i w sposób bezpieczny, w tempie, do jakiego narzędzie zostało zaprojektowane.
 - b. **Nie wolno używać elektronarzędzia z zepsutym wyłącznikiem, który nie pozwala na sprawne włączanie i wyłączanie.** Narzędzie, którego nie można kontrolować za pomocą włącznika nie może być używane i musi zostać naprawione.
 - c. **Przed przystąpieniem do regulacji, wymiany akcesoriów oraz przed schowaniem elektronarzędzia, należy odłączyć wtyczkę od źródła zasilania i/lub odłączyć akumulator od urządzenia.** Takie środki zapobiegawcze zmniejszają ryzyko przypadkowego uruchomienia elektronarzędzia.
 - d. **Nie używane elektronarzędzie przechowuj poza zasięgiem dzieci i nie dopuszczaj osób nie znających elektronarzędzia lub tej instrukcji do posługiwania się elektronarzędziem.** Elektronarzędzia są niebezpieczne w rękach niewprawnego użytkownika.
 - e. **Regularnie dokonuj konserwacji elektronarzędzi. Sprawdź, czy ruchome części są właściwie połączone i zamocowane, czy części nie są uszkodzone oraz skontroluj wszelkie inne elementy mogące mieć wpływ na pracę elektronarzędzia. Wszystkie uszkodzenia należy naprawić przed rozpoczęciem użytkowania.** Wiele wypadków jest spowodowanych źle utrzymanymi elektronarzędziami.
 - f. **Dbaj o czystość narzędzi i ostrość elementów tnących.** Prawidłowo utrzymane narzędzie

do cięcia o ostrych krawędziach tnących rzadziej się zakleszczają i są łatwiejsze do kontrolowania.

- g. **Elektonarzędzi, akcesoriów i końcówek itp., należy używać zgodnie z instrukcją obsługi, uwzględniając warunki i rodzaj wykonywanej pracy.** Użycie elektronarzędzi niezgodnie z przeznaczeniem może być bardzo niebezpieczne.
5. **Naprawy**
- a. **Powierzaj naprawy elektronarzędzi wyłącznie osobom wykwalifikowanym, używającym identycznych części zamiennych.** Zagwarantuje to bezpieczeństwo elektronarzędzia.

Bezpieczne użytkowanie elektronarzędzi - wskazówki dodatkowe



Uwaga! Dodatkowe wskazówki dotyczące bezpiecznej pracy opalarkami.

Uwaga: Nie używać poza budynkami, urządzenie przeznaczone wyłącznie do użytku wewnątrz budynków.

Uwaga: To urządzenie, kiedy nie jest używane, musi być umieszczone na swojej podstawie.

Uwaga: Jeśli urządzenie nie będzie użytkowane z ostrożnością może spowodować pożar, dlatego należy o tym pamiętać podczas pracy w pobliżu materiałów łatwopalnych.

- ◆ Nie kierować strumienia gorącego powietrza w to samo miejsce przez dłuższy okres czasu.
- ◆ Nie używać w obecności atmosfery wybuchowej.
- ◆ Pamiętaj, że ciepło może przenosić się na materiały łatwopalne znajdujące się poza polem widzenia.
- ◆ Po zakończeniu użytkowania umieścić urządzenie na jego podstawie i zaczekać aż ostygnie zanim zostanie umieszczone w miejscu przechowywania.
- ◆ Nie pozostawiać urządzenia bez nadzoru kiedy jest włączone.
- ◆ Nie zasłaniać szczelin wlotu powietrza, ani dyszy wylotowej, ponieważ może to spowodować nadmierne nagromadzenie ciepła, a w konsekwencji uszkodzenie urządzenia.
- ◆ Nie kierować strumienia gorącego powietrza na inne osoby lub zwierzęta.
- ◆ Nie dotykać dyszy wylotowej, ponieważ podczas pracy może osiągać bardzo wysokie temperatury i pozostaje gorąca do 30 minut po zakończeniu pracy.
- ◆ Nie dotykać dyszą wylotową żadnych przedmiotów w trakcie użytkowania, lub bezpośrednio po zakończeniu pracy.

- ◆ Nie wkładać żadnych przedmiotów do wnętrza dyszy, ponieważ grozi to porażeniem prądem elektrycznym.
- ◆ Nie zaglądać do wnętrza dyszy kiedy urządzenie jest włączone.
- ◆ Nie używać urządzenia w charakterze suszarki do włosów! Temperatura powietrza wylotowego jest o wiele wyższa niż urządzenie.
- ◆ Zapewnić odpowiednią wentylację podczas pracy, ponieważ istnieje możliwość powstawania toksycznych oparów.
- ◆ Nie używać urządzenia w wilgotnym środowisku.
- ◆ Podczas usuwania farby upewnić się, że obszar roboczy jest zamknięty. Używać respiratora zaprojektowanego specjalnie do ochrony przed farbą ołowiową, pyłem i oparami i upewnić się, że osoby postronne w obszarze pracy także są chronione.
- ◆ Nie dopuszczać do przypalenia farby, ponieważ stanowi to zagrożenie pożarowe.
- ◆ Nie pozwalać na przywieranie farby do dyszy, ponieważ po pewnym czasie może ulec zapaleniu.
- ◆ Przed zamontowaniem akcesoriów wyłączyć urządzenie i poczekać aż ostygnie.

Usuwanie farby na bazie ołowiu

- ◆ Podczas usuwania farby należy zachować szczególną ostrożność. Usuwane kawałki, pozostałości i opary farby mogą zawierać ołów, który jest trujący. Każdy budynek zbudowany przed rokiem 1960 mógł być potencjalnie malowany farbą zawierającą ołów. Taka farba może być pokryta kolejnymi warstwami innych farb. Po odłożeniu się na powierzchniach ołów może przedostać się do przewodu pokarmowego za sprawą kontaktu dłoni z ustami.
- ◆ Wystawienie na działanie nawet niewielkich ilości ołowiu może spowodować nieodwracalne uszkodzenia obrębie mózgu i układu nerwowego. Najbardziej narażone na zatrucie ołowiem są dzieci i kobiety w ciąży.
- ◆ Przed rozpoczęciem pracy, ważne jest określenie, czy farba, która ma być usuwana zawiera ołów. Można to wykonać za pomocą zestawu testowego lub może to zrobić profesjonalny dekorator. Nie palić tytoniu, nie jeść i nie pić w obszarze roboczym, co do którego istnieje prawdopodobieństwo zanieczyszczenia ołowiem. Farby na bazie ołowiu powinny być usuwane wyłącznie przez wykwalifikowaną osobę, a praca ta nie powinna być wykonywana za pomocą opalarki.

Bezpieczeństwo osób postronnych

- ◆ Opisowane urządzenie nie jest przeznaczone do użycia przez osoby o obniżonych możliwościach fizycznych, ruchowych lub umysłowych (także dzieci) lub o zbyt małej wiedzy i doświadczeniu, jeśli nie zostały one przeszkolone lub nie pozostają pod opieką osoby odpowiedzialnej za ich bezpieczeństwo.
- ◆ Należy pilnować dzieci, aby nie bawiły się urządzeniem.

Pozostałe zagrożenia.

W czasie pracy elektronarzędziem mogą powstać zagrożenia, które nie zostały uwzględnione w załączonej instrukcji dotyczącej bezpiecznego użytkowania. Zagrożenia te mogą wynikać z niewłaściwego użytkowania, zbyt intensywnej eksploatacji lub innych przyczyn.

Nawet w przypadku przestrzegania zasad bezpiecznej pracy i stosowania środków ochronnych, nie jest możliwe uniknięcie pewnych zagrożeń. Należą do nich:

- ◆ **Zranienia wynikające z dotknięcia wirujących / ruchomych elementów.**
- ◆ **Zranienia w czasie wymiany części, ostrzy lub akcesoriów.**
- ◆ **Zranienia związane ze zbyt długotrwałym używaniem narzędzia. Pracując przez dłuższy czas, należy robić regularne przerwy.**
- ◆ **Ryzyko uszkodzenia słuchu.**
- ◆ **Zagrożenie dla zdrowia spowodowane wdychaniem pyłu wytwarzanego podczas użytkowania urządzenia (np.: podczas pracy w drewnie, szczególnie dębowym, bukowym oraz MDF).**

Symbole na urządzeniu

Na obudowie narzędzia umieszczono następujące piktogramy:



Uwaga! Aby zminimalizować ryzyko zranienia, użytkownik musi zapoznać się z instrukcją obsługi.

Ochrona przed porażeniem prądem elektrycznym



To narzędzie ma podwójną izolację, dlatego też przewód uziemiający nie jest potrzebny. Zawsze sprawdzaj, czy napięcie zasilania jest zgodne z wartością podaną na tabliczce znamionowej.

- ◆ Ze względów bezpieczeństwa wymianę uszkodzonego przewodu zasilającego należy powierzyć producentowi lub autoryzowanemu centrum serwisowemu Black & Decker.

Przedłużacze

- ◆ Można stosować przedłużacze z przewodami 2 lub 3-żyłowymi, ponieważ urządzenie posiada podwójną izolację i konstrukcję klasy II.
- ◆ Można stosować przedłużacze o maks. długości 30 m (100 ft) bez utraty mocy.

Wyposażenie

Opisywane narzędzie wyposażone jest w kilka lub wszystkie z poniższych elementów.

1. Wyłącznik
2. Dysza

Montaż

Uwaga! Przed rozpoczęciem montażu upewnić się, czy narzędzie jest wyłączone i wtyczka zasilania jest odłączona.

Montaż akcesoriów

U lokalnego dostawcy dostępny jest wybrany asortyment akcesoriów.

- **Dysza stożkowa:** Skupia strumień powietrza na mniejszej powierzchni.
 - **Dysza motylkowa:** Rozprasza strumień powietrza na szerszej powierzchni.
 - **Reflektor łyżkowy:** Do lutowania rur.
 - **Zabezpieczenie szkła:** Do ochrony elementów szklanych podczas usuwania farby.
 - **Skrobak:** Do usuwania powłoki farby i lakieru.
- ◆ Zamontować element łączący akcesorium na dyszy (2).

Eksploatacja

Włączanie i wyłączanie

- ◆ Aby włączyć narzędzie z małą prędkością powietrza i niską temperaturą należy ustawić przełącznik w pozycji I.
- ◆ Aby włączyć narzędzie z dużą prędkością powietrza i wysoką temperaturą należy ustawić przełącznik w pozycji II.
- ◆ Aby wyłączyć urządzenie, należy ustawić przełącznik w pozycji O.

Eksploatacja urządzenia

Narzędzie jest wyposażone w termostat dla bezpieczeństwa użytkownika. Używanie urządzenia w sposób ciągły przez długi okres czasu lub inne wymagające cykle robocze mogą powodować przegrzewanie i w konsekwencji odmowę pracy urządzenia. Z tego powodu zaleca się, aby podczas pracy, w regularnych odstępach, przeznaczać czas na schłodzenie narzędzia.

- ◆ Przed rozpoczęciem użytkowania zaczekać kilka sekund na rozgrzanie narzędzia.
- ◆ Podczas pierwszego użycia z dyszy może wydobywać się nieznaczna ilość dymu. Jest to normalne zjawisko przemijające po krótkim czasie.
- ◆ Do suszenia farb i lakierów, usuwania naklejek, obkurczania rurek izolacyjnych i rozmrażania rur należy używać ustawienia niskiej temperatury.
- ◆ Do usuwania farb i lakierów oraz lutowania połączeń instalacyjnych, należy używać ustawienia wysokiej temperatury.
- ◆ W razie wątpliwości co do użycia narzędzia do konkretnego materiału, rozpocząć od niskiej temperatury i wykonać test na skrawku materiału.

Praca bez użycia rąk (rys. A)

Narzędzie posiada punkty umożliwiające jego postawienie (3) co ułatwia korzystanie z niego bez użycia rąk.

- ◆ Ustawić narzędzie dyszą skierowaną w górę na powierzchni, na której się nie przewróci.
- ◆ Zabezpieczyć przewód, aby zapobiec pociągnięciu narzędzia

Uwaga! Zawsze kierować narzędzie z dala od siebie i innych osób. Nie dotykać dyszy. Zadbaj, aby krople materiału nie wpadały do dyszy.

Usuwanie farby

- ◆ Skierować strumień gorącego powietrza na obszar roboczy, aby rozgrzać farbę.
- ◆ Nie przypalać farby. Utrzymywać dyszę co najmniej 25 mm od powierzchni.
- ◆ Kiedy farba zmięknie usunąć ją za pomocą skrobaka. Natychmiast zeszkobać zmiękczoną farbę - w przeciwnym razie ponownie stwardnieje.
- ◆ Tam gdzie to możliwe zeszkobać farbę wzdłuż słoików drewna.
- ◆ Nie pozwalać na odkładanie się farby i pozostałości na skrobaku.
- ◆ Wykonując skrobanie w pozycji pionowej, należy wykonywać ruchy od góry ku dołowi, aby zapobiec opadaniu farby do wnętrza dyszy.
- ◆ Podczas skrobania farby z powierzchni znajdujących się w pobliżu szkła, należy podjąć odpowiednie środki, aby zabezpieczyć szkło przed działaniem ciepła.

Uwaga! Podczas skrobania farby z okien metalowych lub drewnianych stosować dyszy chroniącej szkło.

- ◆ Usuwać wszystkie odpadki farby w bezpieczny sposób i upewnić się, że obszar roboczy po zakończeniu pracy jest starannie wysprzątnięty.

Chłodzenie

Podczas pracy dysza narzędzia nagrzewa się do wysokich temperatur. Po wyłączeniu pozostawić narzędzie do schłodzenia na co najmniej 30 minut.

- ◆ Ustawić narzędzie dyszą skierowaną w górę na powierzchni, na której się nie przewróci.
- ◆ Aby przyspieszyć czas schładzania przed wyłączeniem pozostawić narzędzie pracujące, przez kilka minut, na minimalnym ustawieniu temperatury.

Konserwacja

Narzędzie Black & Decker zostało zaprojektowane tak, aby zapewnić długoletnią, prawie bezobsługową, pracę. Aby długo cieszyć się właściwą pracą urządzenia, należy odpowiednio z nim postępować i regularnie je czyścić.

Uwaga! Przed wykonaniem jakichkolwiek czynności konserwacyjnych wyłączyć narzędzie, wyjąć wtyczkę i zaczekać na schłodzenie urządzenia.

- ◆ Okresowo czyścić otwory wentylacyjne urządzenia za pomocą miękkiej szczoteczki lub suchej ściereczki.
- ◆ Do czyszczenia urządzenia używać tylko łagodnego mydła i wilgotnej szmatki. Nie używać ściernych lub rozpuszczających środków czyszczących. Nie pozwolić, aby do środka narzędzia dostała się ciecz i nigdy nie zanurzać żadnej części narzędzia w cieczy.

Ochrona środowiska



Selektywna zbiórka odpadów. Opisowanego produktu nie wolno utylizować razem ze zwykłymi śmieciami z gospodarstwa domowego.

Gdy okaże się, że konieczna jest wymiana posiadanego narzędzia Black & Decker lub nie będzie się go więcej używać, nie należy wyrzucać go razem ze śmieciami z gospodarstwa domowego. Należy przekazać produkt do punktu selektywnej zbiórki odpadów.



Selektywna zbiórka zużytych produktów i opakowań pozwala na powtórne wykorzystanie użytych materiałów. Powtórne użycie materiałów pomaga chronić środowisko naturalne przed zanieczyszczeniem i zmniejsza zapotrzebowanie na surowce.

Lokalne prawodawstwo może zapewniać możliwość selektywnej zbiórki zużytych sprzętów elektrycznych, poprzez pozostawienie ich w punktach na miejskich wysypiskach śmieci lub u sprzedawcy, przy zakupie nowego sprzętu.

Black & Decker zapewnia możliwość zbiórki i recyklingu swoich produktów po zakończeniu okresu eksploatacji. Aby skorzystać z tej możliwości, prosimy zwrócić się do jednego z Autoryzowanych Przedstawicieli Serwisowych, który odbierze je od Państwa w naszym imieniu.

Adres najbliższego autoryzowanego przedstawiciela serwisowego otrzymają Państwo kontaktując się z miejscowym biurem Black & Decker, którego adres podany jest w niniejszej instrukcji obsługi. Lista autoryzowanych przedstawicieli serwisowych oraz informacje na temat naszego serwisu posprzedażnego dostępne są również na stronie internetowej: **www.2helpU.com**

Dane techniczne

		KX1650 (Typ 1)
Napięcie zasilania	V _{ac}	230
Budowa		Klasa II ochronności
Moc wejściowa	W	1750
Zakres temperatur	°C	460 - 600
Ciężar	kg	0,6

Black & Decker

WARUNKI GWARANCJI:

Firma Black & Decker jest pewna jakości swoich produktów i oferuje dla nich doskonałą gwarancję. Niniejsze warunki gwarancji nie pomniejszają praw klienta wynikających z polskich regulacji ustawowych lecz są ich uzupełnieniem. Gwarancja jest ważna na terenie Rzeczypospolitej Polskiej.

Black & Decker gwarantuje sprawne działanie produktu w przypadku postępowania zgodnego z warunkami techniczno-eksploatacyjnymi opisanymi w instrukcji obsługi.

Niniejszą gwarancją nie jest objęte dodatkowe wyposażenie, jeżeli nie została do niego dołączona oddzielna karta gwarancyjna oraz elementy wyrobu podlegające naturalnemu zużyciu.

1. Niniejszą gwarancją objęte są usterki produktu spowodowane wadami produkcyjnymi i wadami materiałowymi.
2. Niniejsza gwarancja jest ważna po przedstawieniu przez Klienta w Centralnym Serwisie Gwarancyjnym reklamowanego produktu oraz łącznie:
 - a) poprawnie wypełnionej karty gwarancyjnej;
 - b) ważnego paragonu zakupu z datą sprzedaży taką, jak w karcie gwarancyjnej lub kopii faktury.
3. Gwarancja obejmuje bezpłatną naprawę urządzenia (wraz z bezpłatną wymianą uszkodzonych części) w okresie 24 miesięcy od daty zakupu.
4. Produkt reklamowany musi być:
 - a) dostarczony bezpośrednio do Centralnego Serwisu Gwarancyjnego wraz z poprawnie wypełnioną Kartą Gwarancyjną i ważnym paragonem zakupu (lub kopią faktury) oraz szczegółowym opisem uszkodzenia, lub
 - b) przesłany do Centralnego Serwisu Gwarancyjnego za pośrednictwem punktu sprzedaży wraz z dokumentami wymienionymi powyżej.
5. Koszty wysyłki do Centralnego Serwisu Gwarancyjnego ponosi Serwis. Wszelkie koszty związane z zapewnieniem bezpiecznego opakowania, ubezpieczeniem i innym ryzykiem ponosi Klient. W przypadku odrzucenia roszczenia gwarancyjnego, produkt jest odesłany do miejsca nadania na koszt adresata.
6. Usterki ujawnione w okresie gwarancji będą usunięte przez Centralny Serwis Gwarancyjny w terminie:
 - a) 14 dni roboczych od daty przyjęcia produktu przez Centralny Serwis Gwarancyjny;
 - b) termin usunięcia wady (punkt 6a) może być wydłużony o czas niezbędny do importu niezbędnych części zamiennych.
7. Klient otrzyma nowy sprzęt, jeżeli:
 - a) Centralny Serwis Gwarancyjny stwierdzi na piśmie, że usunięcie wady jest niemożliwe;
 - b) produkt nie podlega naprawie, tylko wymianie bez dokonywania naprawy.
8. O ile taki sam produkt jest nieosiągalny, może być wydany nowy produkt o nie gorszych parametrach.
9. Decyzja Centralnego Serwisu Gwarancyjnego odnośnie zasadności zgłaszanych usterek jest decyzją ostateczną.
10. Gwarancją nie są objęte:
 - a) wadliwe działanie lub uszkodzenia spowodowane niewłaściwym użytkowaniem lub użytkowaniem produktu niezgodnie z przeznaczeniem, instrukcją obsługi lub przepisami bezpieczeństwa. W szczególności profesjonalne użytkowanie amatorskich narzędzi Black & Decker powoduje utratę gwarancji;
 - b) wadliwe działanie lub uszkodzenia spowodowane przeciążaniem narzędzia, które prowadzi do uszkodzenia silnika, przekładni lub innych elementów a także stosowaniem osprzętu innego niż zalecany przez Black & Decker;
 - c) mechaniczne uszkodzenia produktu i wywołane nimi wady;
 - d) wadliwe działanie lub uszkodzenia na skutek działania pożaru, powodzi, czy też innych klęsk żywiołowych, nieprzewidzianych wypadków, korozji, normalnego zużycia w eksploatacji czy też innych czynników zewnętrznych;
 - e) produkty, w których naruszone zostały plomby gwarancyjne lub, które były naprawiane poza Centralnym Serwisem Gwarancyjnym lub były przerabiane w jakikolwiek sposób;
 - f) osprzęt eksploatacyjny dołączony do urządzenia oraz elementy ulegające naturalnemu zużyciu.
11. Centralny Serwis Gwarancyjny, firmy handlowe, które sprzedały produkt, nie udzielają upoważnień ani gwarancji innych niż określone w karcie gwarancyjnej. W szczególności nie obejmują prawa klienta do domagania się zwrotu utraconych zysków w związku z uszkodzeniem produktu.
12. Gwarancja nie wyłącza, nie ogranicza ani nie zawiesza uprawnień kupującego wynikających z niezgodności towaru z umową.

Centralny Serwis Gwarancyjny ERPATECH
ul. Bakaliowa 26, 05-080 Mościska
tel.: (22) 862-08-08, (22) 431-05-05
faks: (22) 862-08-09

Použitie výrobku

Vaša teplovzdušná opaľovacia pištoľ Black & Decker je určená na rôzne tepelné aplikácie, ako je napríklad odstraňovanie náterov. Tento výrobok je určený iba na spotrebiteľské použitie.

Bezpečnostné pokyny

Všeobecné bezpečnostné pokyny na prácu s elektrickým náradím



Varovanie! Prečítajte si všetky bezpečnostné pokyny a bezpečnostné výstrahy. Nedodržanie nižšie uvedených pokynov môže mať za následok úraz elektrickým prúdom, vznik požiaru alebo vážne poranenie.

Všetky bezpečnostné varovania a pokyny uschovajte na prípadné ďalšie použitie. Označenie „elektrické náradie“ vo všetkých upozorneniach odkazuje na Vaše náradie napájané zo siete (je opatrené prírodným káblom) alebo náradie napájané z akumulátora (bez prírodného kábla).

1. Bezpečnosť v pracovnom priestore

- Pracovný priestor udržiajte čistý a dobre osvetlený.** Preplnený a neosvetlený pracovný priestor môže viesť k spôsobeniu úrazov.
- Nepracujte s elektrickým náradím vo výbušnom prostredí, ako sú napríklad priestory s výskytom horľavých kvapalín, plynov alebo prašných látok.** V elektrickom náradí dochádza k iskreniu, ktoré môže spôsobiť vznietenie horľavého prachu alebo výparov.
- Pri práci s elektrickým náradím zaistite bezpečnú vzdialenosť detí a ostatných osôb.** Rozptyľovanie môže spôsobiť stratu kontroly nad náradím.

2. Elektrická bezpečnosť

- Zástrčka prírodného kábla náradia musí zodpovedať zásuvke. Zástrčku nikdy žiadnym spôsobom neupravujte. Nepoužívajte pri uzemnenom elektrickom náradí žiadne upravené zástrčky.** Neupravované zástrčky a zodpovedajúce zásuvky znižujú riziko vzniku úrazu elektrickým prúdom.
- Nedotýkajte sa uzemnených povrchov, ako sú napríklad potrubia, radiátory, elektrické sporáky a chladničky.** Pri uzemnení Vášho tela vzrastá riziko úrazu elektrickým prúdom.
- Nevystavujte elektrické náradie dažďu alebo vlhkému prostrediu.** Ak vnikne do elektrického náradia voda, zvýši sa riziko úrazu elektrickým prúdom.
- S prírodným káblom zaobchádzajte opatrne. Nikdy nepoužívajte prírodný kábel na**

prenášanie alebo posúvanie náradia a neťahajte zaň, ak chcete náradie odpojiť od elektrickej siete. Zabráňte kontaktu kábla s mastnými, horúcimi a ostrými predmetmi alebo pohyblivými časťami. Poškodený alebo zapletený prírodný kábel zvyšuje riziko vzniku úrazu elektrickým prúdom.

- Pri práci s náradím vonku používajte predĺžovacie káble určené na vonkajšie použitie.** Použitie kábla na vonkajšie použitie znižuje riziko úrazu elektrickým prúdom.
 - Pri práci s elektrickým náradím vo vlhkom prostredí musí byť v napájacom okruhu použitý prúdový chránič (RCD).** Použitie prúdového chrániča (RCD) znižuje riziko úrazu elektrickým prúdom.
- ### 3. Bezpečnosť obsluhy
- Pri použití elektrického náradia zostaňte stále pozorní, sledujte, čo robíte a pracujte s rozvahou. Nepoužívajte elektrické náradie, ak ste unavení alebo ak ste pod vplyvom drog, alkoholu alebo liekov.** Chvilka nepozornosti pri práci s elektrickým náradím môže viesť k vážnemu úrazu.
 - Používajte prvky osobnej ochrany. Vždy používajte ochranu zraku.** Ochranné prostriedky ako respirátor, protišmyková pracovná obuv, prilba a chrániče sluchu, používané v príslušných podmienkach, znižujú riziko poranenia osôb.
 - Zabráňte náhodnému zapnutiu. Pred pripojením zdroja napätia alebo pred vložením akumulátora a pred zdvihnutím alebo prenášaním náradia skontrolujte, či je vypnutý hlavný vypínač.** Prenášanie elektrického náradia s prstom na hlavnom vypínači alebo pripojenie prírodného kábla k elektrickej sieti, ak je hlavný vypínač náradia v polohe zapnuté, môže spôsobiť úraz.
 - Pred zapnutím náradia sa vždy uistite, či nie sú v jeho blízkosti kľúče alebo nastavovacie prípravky.** Nastavovacie kľúče ponechané na náradí môžu byť zachytené rotujúcimi časťami náradia a môžu spôsobiť úraz.
 - Neprekážajte sami sebe. Pri práci vždy udržujte vhodný a pevný postoj.** Tak je umožnená lepšia kontrola nad náradím v neočakávaných situáciách.
 - Vhodne sa obliekajte. Nenoste voľný odev alebo šperky. Dbajte na to, aby sa Vaše vlasy, odev a rukavice nedostali do kontaktu s pohyblivými časťami.** Voľné šaty, šperky alebo dlhé vlasy môžu byť zachytené pohyblivými dielcami.

g. Ak sú zariadenia vybavené adaptérom na pripojenie zariadenia na zachytávanie prachu, zaistite jeho správne pripojenie a riadnu funkciu. Použitie týchto zariadení môže znížiť nebezpečenstvo týkajúce sa prachu.

4. Použitie elektrického náradia a jeho údržba

a. Elektrické náradie nepreťažujte. Používajte správny typ náradia na vykonávanú prácu. Pri použití správneho typu náradia bude práca vykonávaná lepšie a bezpečnejšie.

b. Ak nie je možné hlavný vypínač náradia zapnúť a vypnúť, s náradím nepracujte. Každé elektrické náradie s nefunkčným hlavným vypínačom je nebezpečné a musí sa opraviť.

c. Pred nastavovaním náradia, pred výmenou príslušenstva alebo ak náradie nepoužívate, odpojte zástrčku prírodného kábla od zásuvky alebo z náradia vyberte akumulátor. Tieto preventívne bezpečnostné opatrenia znižujú riziko náhodného zapnutia náradia.

d. Uložte elektrické náradie mimo dosahu detí a nedovoľte ostatným osobám, ktoré toto náradie nevedia ovládať, alebo ktoré nepoznajú tieto bezpečnostné pokyny, aby s týmto elektrickým náradím pracovali. Elektrické náradie je v rukách nekvalifikovanej obsluhy nebezpečné.

e. Vykonávajte údržbu elektrického náradia. Skontrolujte vychýlenie alebo zablokovanie pohyblivých častí, poškodenie jednotlivých dielcov a iné okolnosti, ktoré môžu ovplyvniť chod náradia. Ak je náradie poškodené, nechajte ho pred použitím opraviť. Veľa nehôd býva spôsobených nedostatočnou údržbou náradia.

f. Rezné nástroje udržiavajte ostré a čisté. Riadne udržiavané rezné nástroje s ostrými reznými čepeľami sú menej náchylné na zanášanie nečistotami a lepšie sa s nimi manipuluje.

g. Používajte elektrické náradie, príslušenstvo a držiačky nástrojov podľa týchto pokynov a berte do úvahy prevádzkové podmienky a prácu, ktorá bude vykonávaná. Použitie elektrického náradia na iné účely, než na aké je určené, môže byť nebezpečné.

5. Opravy

a. Opravy elektrického náradia zverte iba kvalifikovanému technikovi, ktorý bude používať originálne náhradné dielce. Tým zaistíte bezpečnú prevádzku náradia.

Doplnkové bezpečnostné pokyny na prácu s elektrickým náradím



Varovanie! Doplnkové bezpečnostné pokyny pre teplovzdušné opaľovacie pištole

Varovanie: Tento výrobok nie je určený na vonkajšie použitie.

Varovanie: Ak sa opaľovacia pištoľ nepoužíva, uložte ju na určený stojan.

Varovanie: Pri neopatrnom používaní zariadenia môže dôjsť ku vzniku požiaru, preto pri práci s opaľovacou pištoľou v miestach s výskytom horľavých materiálov buďte obozretní.

- ◆ Nenahrievajte rovnaké miesto dlhší čas.
- ◆ Nepoužívajte toto náradie v prostredí s výbušnou atmosférou.
- ◆ Teplo môže byť prenášané na horľavé materiály, ktoré sú mimo uhol pohľadu.
- ◆ Po použití náradie odložte na vlastný stojan a pred uložením ho nechajte úplne vychladnúť.
- ◆ Neponechávajte náradie bez dozoru, pokiaľ je zapnuté.
- ◆ Nezakrývajte ani štrbiny privodu vzduchu, ani výstupnú trysku, nadmerným ohrevom v týchto miestach by mohlo dôjsť k poškodeniu opaľovacej pištole.
- ◆ Nesmerujte prúd horúceho vzduchu na ostatné osoby alebo domáce zvieratá.
- ◆ Nedotýkajte sa trysky, pretože sa môže počas použitia zahriať na veľmi vysokú teplotu a zostáva horúca ešte 30 minút po použití.
- ◆ Počas použitia alebo ihneď po použití nekladte trysku na žiadne predmety.
- ◆ Nevkladajte do trysky žiadne predmety, pretože by mohlo dôjsť k úrazu elektrickým prúdom.
- ◆ Nepozerajte sa do trysky, pokiaľ je opaľovacia pištoľ zapnutá.
- ◆ Nepoužívajte toto náradie ako sušič vlasov. Teplota prúdiaceho vzduchu je omnoho vyššia ako teplota opaľovacej pištole.
- ◆ Zaistite si zodpovedajúce vetranie, pretože pri použití tohto náradia môžu vzniknúť toxické výpary.
- ◆ Nepoužívajte náradie vo vlhkom prostredí.
- ◆ Pri odstraňovaní náterov zaistite, aby bol pracovný priestor uzavretý.
- ◆ Používajte masku proti prachu určenú špeciálne na ochranu pred prachom a výparmi z náterov z obsahom olova a zaistite, aby boli takto chránené všetky osoby nachádzajúce sa alebo vstupujúce do pracovného priestoru.
- ◆ Nátery nespáľujte, mohlo by dôjsť k vzniku požiaru.

- ◆ Dbajte na to, aby na tryske alebo na škrabke nezostávali žiadne zvyšky farby, pretože by mohlo dôjsť k ich vznieteniu.
- ◆ Pred nasadením akéhokoľvek príslušenstva opaľovaciu pištoľ vypnite a ponechajte ju vychladnúť.

Odstraňovanie náterov s obsahom olova

- ◆ Veľkú opatnosť venujte pri odškrabávaní náterov. Olúpaná farba, zvyšky náterov a výpary môžu obsahovať olovo, ktoré je jedovaté. Niektoré budovy postavené pred rokom 1960 môžu obsahovať pôvodné nátery obsahujúce olovo. Tieto pôvodné nátery môžu byť prekryté novšími vrstvami. Ak je farba nanesená na povrch, kontakt rúk s ústami môže spôsobiť požitie olova.
- ◆ Vystavenie sa pôsobeniu i malého množstva olova môže mať za následok nevratné poškodenie mozgu a nervovej sústavy. Najväčšie nebezpečenstvo otravy olovom hrozí deťom a tehotným ženám.
- ◆ Pred začatím práce je dôležité určiť, či opaľovací náter neobsahuje olovo. To je možné vykonať pomocou testovacej súpravy alebo za pomoci profesionálneho maliara miestností. V oblasti, ktorá je, alebo ktorá môže byť kontaminovaná olovom, nefajčite, nejedzte ani nepite. Náter s obsahom olova by mal odstraňovať iba profesionál a nemal by sa odstraňovať pomocou teplovzdušnej pištole.

Bezpečnosť ostatných osôb

- ◆ Tento výrobok nie je určený na použitie osobami (vrátane detí) so zníženými fyzickými, zmyslovými alebo duševnými schopnosťami, alebo s nedostatkom skúseností a znalostí, ak týmto osobám nebol stanovený dohľad, alebo ak im neboli poskytnuté inštrukcie týkajúce sa použitia výrobku osobou zodpovednou za ich bezpečnosť.
- ◆ Deti by mali byť pod dozorom, aby sa s náradím nehrali.

Iné nebezpečenstvá

Ďalšie riziká môžu nastať pri spôsobe použitia náradia, ktorý sa neuvádza v priložených bezpečnostných pokynoch. Tieto riziká môžu vzniknúť v dôsledku nesprávneho použitia, dlhodobého použitia atď.

Napriek tomu, že sa dodržiavajú príslušné bezpečnostné predpisy a používajú sa bezpečnostné zariadenia, určité zvyškové riziká sa nemôžu vylúčiť. Tieto riziká sú nasledujúce:

- ◆ **Zranenia spôsobené kontaktom s akoukoľvek rotujúcou alebo pohybujúcou sa časťou.**

- ◆ **Zranenia spôsobené pri výmene dielcov, pracovného nástroja alebo príslušenstva.**
- ◆ **Zranenia spôsobené dlhodobým použitím náradia. Ak používate akékoľvek náradie dlhší čas, zaistíte, aby sa robili pravidelné prestávky.**
- ◆ **Poškodenie sluchu.**
- ◆ **Zdravotné riziká spôsobené vdychovaním prachu vytváraného pri použití náradia (príklad: - práca s drevom, najmä s dubovým, bukovým a MDF.)**

Štítky na náradí

Na náradí sú nasledujúce piktogramy:



Varovanie! Z dôvodu zníženia rizika spôsobenia úrazu si používateľ musí prečítať tento návod na obsluhu.

Elektrická bezpečnosť



Toto náradie je vybavené dvojitou izoláciou. Preto nie je nutné použitie uzemňovacieho vodiča. Vždy skontrolujte, či napájacie napätie zodpovedá napätiu na výkonovom štítku.

- ◆ Ak je poškodený prívodný kábel, musí byť vymenený výrobcom alebo v autorizovanom servise Black & Decker, aby sa zabránilo možným rizikám.

Predlžovacie káble

- ◆ Pretože je náradie chránené dvojitou izoláciou a je konštrukčnej triedy II, možno použiť 2 alebo 3 žilový kábel.
- ◆ S týmto výrobkom sa môže použiť predlžovací kábel s dĺžkou 30 m a prierezom vodiča 30 m, bez toho, aby dochádzalo k stratám výkonu.

Popis

Toto zariadenie sa skladá z niektorých alebo zo všetkých nasledujúcich častí:

1. Hlavný vypínač (Zapnuté/Vypnuté)
2. Tryska

Zostavenie

Varovanie! Pred montážou sa uistite, či je náradie vypnuté a či je prívodný kábel odpojený od zásuvky.

Upnutie príslušenstva

Vybranú radu príslušenstva získate u Vášho miestneho dodávateľa.

- **Kuželová tryska:** Koncentruje prúd vzduchu do menšej plochy.
- **Rybinový nástavec:** Koncentruje prúd vzduchu do väčšej plochy.

- **Lyžicový odrážač:** Je určený na zváranie potrubia.
 - **Chránič skiel:** Slúži na ochranu skiel pri odstraňovaní náteru.
 - **Škrabka:** Slúži na odstraňovanie a zoškrabávanie náterov a lakov.
- ♦ Na trysku (2) nasadíte prípojnú časť príslušenstva.

Použitie

Zapnutie a vypnutie

- ♦ Ak chcete náradie zapnúť s nízkym prúdom výstupného vzduchu, s nízkou teplotou, nastavte hlavný vypínač do polohy I.
- ♦ Ak chcete náradie zapnúť s vysokým prúdom výstupného vzduchu, s vysokou teplotou, nastavte hlavný vypínač do polohy II.
- ♦ Ak chcete náradie vypnúť, nastavte hlavný vypínač do polohy O.

Použitie náradia

Vaše náradie je s ohľadom na Vašu bezpečnosť vybavené termostatom. Trvalé použitie náradia po veľmi dlhú dobu alebo iné opakované náročné nasadenie môže mať za následok prehriatie opaľovacej pištole a zastavenie chodu. Preto sa odporúča počas používania ponechať opaľovaciu pištoľ v pravidelných intervaloch vychladnúť.

- ♦ Pred použitím ponechajte opaľovaciu pištoľ niekoľko sekúnd rozohriať.
- ♦ Pri prvom použití sa môže z trysky uvoľňovať dym. Ide o bežný jav, ktorý časom ustane.
- ♦ Na sušenie náterov a lakov, odstraňovanie lepených štítkov, sťahovanie izolačných trubíc a rozohrievanie zamrznutého potrubia používajte nastavenie s nízkou teplotou.
- ♦ Nastavenie s vysokou teplotou používajte na odstraňovanie náterov a lakov a na zváranie inštalačných spojov.
- ♦ Pokiaľ si nie ste pri konkrétnom materiáli s použitím tohto náradia istí, začnite prácu s nastavením na nízku teplotu a na kúsku odpadového materiálu si vykonajte skúšku.

Použitie bez držania rúk (obr. A)

Opaľovacia pištoľ je na použitie bez držania vybavená stojanom (3).

- ♦ Opaľovaciu pištoľ postavte na pevný podklad tryskou nahor tak, aby sa neprevrhla.
- ♦ Prívodný kábel zaistíte, aby ste sa za neho nezachytili a vďaka nemu sa opaľovacia pištoľ neprevrhla.

Varovanie! Dbajte na to, aby náradie nemierilo na Vás alebo na iné osoby. Nedotýkajte sa trysky opa-

ľovacej pištole. Dajte pozor, aby do trysky nezapadol žiadny materiál.

Zoškrabávanie náteru

- ♦ Nasmerujte prúd horúceho vzduchu na náter, ktorý budete odstraňovať.
- ♦ Náter nespáľujte. Trysku opaľovacej pištole držte minimálne 25 mm od opaľovaného povrchu.
- ♦ Akonáhle náter zmäkne, odstráňte ho pomocou škrabky. Zmäknutý náter okamžite zoškrabnite, inak opäť stvrdne.
- ♦ Pokiaľ je to možné, vždy zoškrabujte v smere vlákien dreva.
- ♦ Zabráňte hromadeniu nánosov náteru a nečistôt na škrabke.
- ♦ Pri práci vo zvislej polohe pracujte smerom dole, aby ste zabránili padaniu zvyškov náteru do trysky opaľovacej pištole.
- ♦ Pokiaľ zoškrabujete náter z povrchu v blízkosti okien, vykonajte nevyhnutné opatrenia na ochranu skiel pred teplom.

Varovanie! Pri odstraňovaní náterov z okien, ktoré majú drevené alebo kovové rámy, použite trysku s chráničom skiel.

- ♦ Bezpečne zlikvidujte odstránené zvyšky náteru a po skončení práce sa uistite, či je pracovná oblasť starostlivo uprataná.

Vychladnutie

Tryska tohto náradia sa počas použitia zahrieva na veľmi vysokú teplotu. Po vypnutí ponechajte opaľovaciu pištoľ vychladnúť minimálne po dobu 30 minút.

- ♦ Opaľovaciu pištoľ postavte na pevný podklad tryskou nahor tak, aby sa neprevrhla.
- ♦ Na skrátenie doby chladnutia nechajte opaľovaciu pištoľ niekoľko minút pred vypnutím bežať s nastavením na minimálnu teplotu.

Údržba

Vaše náradie Black&Decker bolo skonštruované tak, aby Vám slúžilo dlhú dobu s minimálnymi nárokmi na údržbu. Riadna starostlivosť o tento výrobok a jeho pravidelné čistenie Vám zaistia jeho bezproblémový chod.

Varovanie! Pred nasadením akéhokoľvek príslušenstva opaľovaciu pištoľ vypnite a ponechajte ju vychladnúť.

- ♦ Pravidelne čistite vetracie otvory na zariadení pomocou mäkkej kefy alebo suchej handričky.
- ♦ Na čistenie náradia používajte iba mydlový roztok a navlhčenú handričku. Nepoužívajte žiadne abrazívne čistiace prostriedky alebo rozpúšťadlá. Nikdy nedovoľte, aby sa do náradia dostala akákoľvek kvapalina. Nikdy neponárajte žiadnu časť náradia do kvapaliny.

Výmena sieťovej zástrčky (iba pre Veľkú Britániu a Írsko)

Ak budete inštalovať novú zástrčku prírodného kábla:

- ♦ Zaisťte ekologickú likvidáciu starej zástrčky.
- ♦ Pripojte hnedý vodič k svorke pod napätím na novej zástrčke.
- ♦ Modrý vodič pripojte k nulovej svorke.

Varovanie! Na uzemňovaciu svorku nebude pripojený žiadny vodič. Dodržujte montážne pokyny dodávané s kvalitnými zástrčkami. Odporúčaná poisťka: 13 A.

Ochrana životného prostredia



Triedte odpad. Tento výrobok nesmie byť likvidovaný v bežnom komunálnom odpade.

Ak nebudete výrobok Black & Decker ďalej používať alebo ak si ho želáte nahradiť novým, nelikvidujte ho spolu s bežným komunálnym odpadom. Zaisťte likvidáciu tohto výrobku v triedenom odpade.



Triedený odpad umožňuje recykláciu a opätovné využitie použitých výrobkov a obalových materiálov. Opätovné použitie recyklovaných materiálov pomáha chrániť životné prostredie pred znečistením a znižuje spotrebu surovín.

Pri kúpe nových výrobkov vám predajne, miestne zberne odpadov alebo recyklačné stanice poskytnú informácie o správnej likvidácii elektroodpadov z domácnosti.

Spoločnosť Black & Decker poskytuje službu zberu a recyklácie výrobkov Black & Decker po skončení ich prevádzkovej životnosti. Ak chcete získať výhody tejto služby, odovzdajte, prosím, Váš výrobok ktorékoľvek autorizovanému zástupcovi servisu, ktorý náradie odoberie a zaisť jeho recykláciu.

Miesto najbližšieho autorizovaného servisu Black & Decker nájdete na príslušnej adrese uvedenej v tomto návode. Zoznam autorizovaných servisov Black & Decker a podrobnosti o popredajnom servise nájdete aj na internetovej adrese: www.2helpU.com

Technické údaje

	KX1650 (Typ 1)	
Napájacie napätie	V	230
Konštrukcia		Trieda II
Príkon	W	1750
Rozsah pracovných teplôt	°C	460 - 600
Hmotnosť	kg	0,6

Záruka

Spoločnosť Black & Decker je presvedčená o kvalite svojich výrobkov a ponúka mimoriadnu záruku. Táto záruka je ponúkaná v prospech zákazníka a nijako neovplyvní jeho zákonné záručné práva. Táto záruka platí vo všetkých členských štátoch EÚ a Európskej zóny voľného obchodu EFTA.

Ak sa objavia na výrobku Black & Decker v priebehu 24 mesiacov od kúpy akékoľvek materiálové či výrobné chyby, spoločnosť Black & Decker garantuje v snahe o minimalizovanie vašich starostí bezplatnú výmenu chybných dielcov, opravu alebo výmenu celého výrobku za nižšie uvedených podmienok:

- ♦ Výrobok nebol používaný na obchodné alebo profesionálne účely a nedochádzalo k jeho prenájamu;
- ♦ Výrobok nebol vystavený nesprávnemu použitiu a nebola zanedbaná jeho predpísaná údržba;
- ♦ Výrobok nebol poškodený cudzím zavinením;
- ♦ Opravy neboli vykonávané inými osobami, než autorizovanými opravármi alebo mechanikmi autorizovaného servisu Black & Decker.

Ak požadujete záručnú opravu, budete musieť predajcovi alebo zástupcovi autorizovaného servisu predložiť doklad o kúpe výrobku. Miesto najbližšieho autorizovaného servisu Black & Decker nájdete na príslušnej adrese uvedenej v tomto návode. Zoznam autorizovaných servisov Black & Decker a podrobnosti o popredajnom servise nájdete aj na internetovej adrese: www.2helpU.com

Navštívte, prosím, našu internetovú stránku www.blackanddecker.sk, aby ste mohli zaregistrovať Váš nový výrobok Black & Decker a kde budete informovaní o našich nových výrobkoch a špeciálnych ponukách. Na adrese www.blackanddecker.sk sú k dispozícii ďalšie informácie o značke Black & Decker a o celom rade našich ďalších výrobkov.

Назначение

Ваш пистолет горячего воздуха Black & Decker предназначен для разнообразных работ, связанных с разогревом, например, для удаления лакокрасочных покрытий. Данный инструмент предназначен только для бытового использования внутри помещений.

Инструкции по технике безопасности

Общие правила безопасности при работе с электроинструментами



Внимание! Внимательно прочтите все инструкции по безопасности и руководство по эксплуатации. Несоблюдение всех перечисленных ниже правил безопасности и инструкций может привести к поражению электрическим током, возникновению пожара и/или получению тяжелой травмы.

Сохраните все инструкции по безопасности и руководство по эксплуатации для их дальнейшего использования. Термин «Электроинструмент» во всех приведенных ниже указаниях относится к Вашему сетевому (с кабелем) электроинструменту или аккумуляторному (беспроводному) электроинструменту.

1. Безопасность рабочего места

- a. Содержите рабочее место в чистоте и обеспечьте хорошее освещение. Плохое освещение или беспорядок на рабочем месте может привести к несчастному случаю.
- b. **Не используйте электроинструменты, если есть опасность возгорания или взрыва, например, вблизи легковоспламеняющихся жидкостей, газов или пыли.** В процессе работы электроинструмент создает искровые разряды, которые могут воспламенить пыль или горючие пары.
- c. **Во время работы с электроинструментом не подпускайте близко детей или посторонних лиц.** Отвлечение внимания может вызвать у Вас потерю контроля над рабочим процессом.

2. Электробезопасность

- a. Вилка кабеля электроинструмента должна соответствовать штепсельной розетке. Ни в коем случае не видоизменяйте вилку электрического кабеля. Не используйте соединительные штепсели-переходники, если в силовом кабеле

электроинструмента есть провод заземления. Использование оригинальной вилки кабеля и соответствующей ей штепсельной розетки уменьшает риск поражения электрическим током.

- b. **Во время работы с электроинструментом избегайте физического контакта с заземленными объектами, такими как трубопроводы, радиаторы отопления, электроплиты и холодильники.** Риск поражения электрическим током увеличивается, если Ваше тело заземлено.
 - c. **Не используйте электроинструмент под дождем или во влажной среде.** Попадание воды в электроинструмент увеличивает риск поражения электрическим током.
 - d. **Бережно обращайтесь с электрическим кабелем. Ни в коем случае не используйте кабель для переноски электроинструмента или для вытягивания его вилки из штепсельной розетки. Не подвергайте электрический кабель воздействию высоких температур и смазочных веществ; держите его в стороне от острых кромок и движущихся частей электроинструмента.** Поврежденный или запутанный кабель увеличивает риск поражения электрическим током.
 - e. **При работе с электроинструментом на открытом воздухе используйте удлинительный кабель, предназначенный для наружных работ.** Использование кабеля, пригодного для работы на открытом воздухе, снижает риск поражения электрическим током.
 - f. **При необходимости работы с электроинструментом во влажной среде используйте источник питания, оборудованный устройством защитного отключения (УЗО).** Использование УЗО снижает риск поражения электрическим током.
- #### 3. Личная безопасность
- a. **При работе с электроинструментами будьте внимательны, следите за тем, что Вы делаете, и руководствуйтесь здравым смыслом. Не используйте электроинструмент, если Вы устали, а также находясь под действием алкоголя или понижающих реакцию лекарственных препаратов и других средств.** Малейшая неосторожность при работе с электроинструментами может привести к серьезной травме.

- b. При работе используйте средства индивидуальной защиты. Всегда надевайте защитные очки.** Своевременное использование защитного снаряжения, а именно: пылезащитной маски, ботинок на нескользящей подошве, защитного шлема или противושумных наушников, значительно снизит риск получения травмы.
- c. Не допускайте непреднамеренного запуска.** Перед тем, как подключить электроинструмент к сети и/или аккумулятору, поднять или перенести его, убедитесь, что выключатель находится в положении «выключено». Не переносите электроинструмент с нажатой кнопкой выключателя и не подключайте к сетевой розетке электроинструмент, выключатель которого установлен в положение «включено», это может привести к несчастному случаю.
- d. Перед включением электроинструмента снимите с него все регулировочные или гаечные ключи.** Регулировочный или гаечный ключ, оставленный закрепленным на вращающейся части электроинструмента, может стать причиной тяжелой травмы.
- e. Работайте в устойчивой позе. Всегда твердо стойте на ногах, сохраняя равновесие.** Это позволит Вам не потерять контроль при работе с электроинструментом в непредвиденной ситуации.
- f. Одевайтесь соответствующим образом. Во время работы не надевайте свободную одежду или украшения. Следите за тем, чтобы Ваши волосы, одежда или перчатки находились в постоянном отдалении от движущихся частей инструмента.** Свободная одежда, украшения или длинные волосы могут попасть в движущиеся части инструмента.
- g. Если электроинструмент снабжен устройством сбора и удаления пыли, убедитесь, что данное устройство подключено и используется надлежащим образом.** Использование устройства пылеудаления значительно снижает риск возникновения несчастного случая, связанного с запыленностью рабочего пространства.
- 4. Использование электроинструментов и технический уход**
- a. Не перегружайте электроинструмент. Используйте Ваш инструмент по назначению.** Электроинструмент работает надежно и безопасно только при соблюдении параметров, указанных в его технических характеристиках.
- b. Не используйте электроинструмент, если его выключатель не устанавливается в положение включения или выключения.** Электроинструмент с неисправным выключателем представляет опасность и подлежит ремонту.
- c. Отключайте электроинструмент от сетевой розетки и/или извлекайте аккумулятор перед регулированием, заменой принадлежностей или при хранении электроинструмента.** Такие меры предосторожности снижают риск случайного включения электроинструмента.
- d. Храните неиспользуемые электроинструменты в недоступном для детей месте и не позволяйте лицам, не знакомым с электроинструментом или данными инструкциями, работать с электроинструментом.** Электроинструменты представляют опасность в руках неопытных пользователей.
- e. Регулярно проверяйте исправность электроинструмента. Проверяйте точность совмещения и легкость перемещения подвижных частей, целостность деталей и любых других элементов электроинструмента, воздействующих на его работу. Не используйте неисправный электроинструмент, пока он не будет полностью отремонтирован.** Большинство несчастных случаев являются следствием недостаточного технического ухода за электроинструментом.
- f. Следите за остротой заточки и чистотой режущих принадлежностей.** Принадлежности с острыми кромками позволяют избежать заклинивания и делают работу менее утомительной.
- g. Используйте электроинструмент, аксессуары и насадки в соответствии с данным Руководством и с учетом рабочих условий и характера будущей работы.** Использование электроинструмента не по назначению может создать опасную ситуацию.
- 5. Техническое обслуживание**
- a. Ремонт Вашего электроинструмента должен производиться только квалифицированными специалистами с использованием идентичных запасных частей.** Это обеспечит безопасность Вашего электроинструмента в дальнейшей эксплуатации.

Дополнительные меры безопасности при работе с электроинструментами



Внимание! Дополнительные правила безопасности при работе с пистолетами горячего воздуха.

Внимание: Только для использования внутри помещений! Не используйте инструмент на улице!

Внимание: Устанавливайте инструмент в стационарное положение на подставку, если он не используется.

Внимание: Неосторожное использование инструмента может привести к пожару! Будьте особенно внимательны при использовании инструмента в местах нахождения горючих материалов.

- ◆ Не направляйте поток горячего воздуха в одно и то же место в течение длительного времени.
- ◆ Не используйте инструмент, если есть опасность возгорания или взрыва.
- ◆ Помните, что высокая температура может воздействовать на возгораемые материалы, находящиеся за пределами Вашей видимости.
- ◆ После использования установите инструмент в стационарное положение на подставку и дождитесь его полного охлаждения, прежде чем убрать инструмент на хранение.
- ◆ Не оставляйте включенный инструмент без присмотра!
- ◆ Не закрывайте отверстия входа воздуха и выпускное отверстие – это может привести к чрезмерному повышению температуры и, как следствие, к повреждению инструмента.
- ◆ Ни в коем случае не направляйте поток горячего воздуха на окружающих Вас людей и животных!
- ◆ Ни в коем случае не дотрагивайтесь выпускного отверстия: в процессе работы оно очень сильно нагревается и остается горячим в течение 30 минут по ее окончании.
- ◆ Не прислоняйте ни к чему выпускное отверстие в процессе работы или сразу же по ее окончании.
- ◆ Ни в коем случае не вставляйте в выпускное отверстие никакие предметы -это может привести к поражению электрическим током.
- ◆ Ни в коем случае не заглядывайте в выпускное отверстие работающего инструмента.
- ◆ Ни в коем случае не используйте пистолет горячего воздуха в качестве фена для сушки волос! Температура воздуха, нагретого

термоинструментом, намного превышает температуру воздуха, нагретого бытовым феном.

- ◆ Обеспечьте достаточную приточно-вытяжную вентиляцию помещения, на случай возможного выделения ядовитых паров.
- ◆ Не используйте инструмент во влажной среде.
- ◆ При удалении краски позаботьтесь об ограждении рабочего места. Надевайте респиратор, специально разработанный для защиты от пыли и испарений свинцовых красок, и следите, чтобы лица, находящиеся в рабочей зоне, также были обеспечены средствами индивидуальной защиты.
- ◆ Не сжигайте краску – это может привести к возникновению пожара.
- ◆ Не позволяйте краске прилипнуть к выпускному отверстию - краска может впоследствии загореться.
- ◆ Перед установкой насадки, выключите инструмент и дождитесь его полного охлаждения.

Удаление лакокрасочных покрытий, содержащих свинец

- ◆ К процессу удаления краски необходимо подходить крайне осторожно. Слои краски, а также ее остатки и испарения могут содержать ядовитый свинец. Здания, построенные до 1960 года, могут оказаться окрашенными краской, содержащей свинец. Такая краска может оказаться закрыта многочисленными слоями других красок. Содержащая свинец краска может прилипнуть к рукам и попасть в полость рта, что приведет к проникновению свинца в организм человека.
- ◆ Отравление даже незначительным количеством свинца может привести к необратимым повреждениям мозга и нервной системы. Наибольшую опасность отравление свинцом представляет для детей и беременных женщин.
- ◆ Перед началом работы, важно установить, содержит ли удаляемая краска свинец. Данную проверку можно произвести с помощью тестового набора или проконсультировавшись у специалиста-маляра. Не курите, не пейте и не принимайте пищу на рабочем месте – возможно, оно загрязнено свинцом. Лакокрасочные покрытия на свинцовой основе должны удаляться только специалистами соответствующего профиля и без использования пистолета горячего воздуха.

Безопасность посторонних лиц

- ♦ Использование инструмента физически или умственно неполноценными людьми, а также детьми и неопытными лицами допускается только под контролем ответственного за их безопасность лица.
- ♦ Не позволяйте детям играть с инструментом.

Остаточные риски

При работе с данным инструментом возможно возникновение дополнительных остаточных рисков, которые не вошли в описанные здесь правила техники безопасности. Эти риски могут возникнуть при неправильном или продолжительном использовании изделия и т.п.

Несмотря на соблюдение соответствующих инструкций по технике безопасности и использование предохранительных устройств, некоторые остаточные риски невозможно полностью исключить. К ним относятся:

- ♦ **Травмы в результате касания вращающихся/двигающихся частей инструмента.**
- ♦ **Риск получения травмы во время смены деталей инструмента, ножей или насадок.**
- ♦ **Риск получения травмы, связанный с продолжительным использованием инструмента. При использовании инструмента в течение продолжительного периода времени делайте регулярные перерывы в работе.**
- ♦ **Ухудшение слуха.**
- ♦ **Ущерб здоровью в результате вдыхания пыли в процессе работы с инструментом (например, при распиле древесины, в особенности, дуба, бука и ДВП.)**

Маркировка инструмента

На инструменте имеются следующие знаки:



Внимание! Полное ознакомление с руководством по эксплуатации снизит риск получения травмы.

Электробезопасность



Данный электроинструмент защищен двойной изоляцией, исключаяющей потребность в заземляющем проводе. Следите за напряжением электрической сети, оно должно соответствовать величине, обозначенной на информационной табличке электроинструмента.

- ♦ Во избежание несчастного случая, замена поврежденного кабеля питания должна производиться только на заводе-изготовителе

или в авторизованном сервисном центре Black & Decker.

Удлинительные кабели

- ♦ Можно использовать двух- или трехжильный кабель, так как Ваш электроинструмент соответствует Классу II и защищен двойной изоляцией.
- ♦ Можно использовать удлинительный кабель длиной до 30 м без потери мощности.

Составные части

Ваш электроинструмент может содержать все или некоторые из перечисленных ниже составных частей:

1. Клавиша пускового выключателя
2. Сопло

Сборка

Внимание! Перед началом сборки убедитесь, что инструмент выключен и отсоединен от электросети.

- **Установка насадки:** Насадки можно дополнительно приобрести у Вашего ближайшего дилера.
 - **Коническая насадка:** Концентрирует поток нагретого воздуха на небольших участках поверхности.
 - **Широкая насадка:** Распределяет поток нагретого воздуха на больших участках поверхности.
 - **Насадка с отражателем:** Для пайки труб.
 - **Стеклозащитная насадка:** Для защиты стекла при удалении лакокрасочных покрытий.
 - **Скребок:** Для удаления лакокрасочных покрытий.
- ♦ Наденьте соединительный элемент насадки на сопло (2).

Эксплуатация

Включение и выключение

- ♦ Чтобы включить инструмент в режиме низкой скорости воздушного потока/ низкой температуры, установите пусковой выключатель в положение I.
- ♦ Чтобы включить инструмент в режиме высокой скорости воздушного потока/высокой температуры, установите пусковой выключатель (1) в положение II.
- ♦ Чтобы выключить инструмент, установите пусковой выключатель в положение O.

Использование инструмента

В целях безопасности инструмент оборудован термостатом. Непрерывное использование инструмента в течение длительного времени или в ином тяжелом режиме может стать причиной его чрезмерного перегрева и останова работы. Поэтому настоятельно рекомендуется делать регулярные остановки в работе для охлаждения инструмента.

- ◆ Перед началом работы дайте инструменту прогреться несколько секунд.
- ◆ При первом включении инструмента возможен выброс из сопла небольшого количества дыма. Это нормально, и со временем дым исчезнет.
- ◆ Используйте режим низкой температуры для сушки лакокрасочных покрытий, удаления наклеек, горячего напрессовывания изоляционных трубок, а также для размораживания замерзших трубопроводов.
- ◆ Используйте режим высокой температуры для удаления лакокрасочных покрытий и пайки стыковых соединений трубопроводов.
- ◆ Если Вы не уверены в выборе температурного режима, начните с самой низкой температуры и проведите пробное испытание инструмента на небольшом обрезке обрабатываемого материала.

Использование инструмента в стационарном положении (Рис. А)

Данный инструмент можно установить стационарно на опорные точки (3), при этом высвобождаются для работы обе руки.

- ◆ Поставьте инструмент соплом вверх на поверхность, на которой он не сможет опрокинуться.
- ◆ Зафиксируйте кабель, чтобы предотвратить опрокидывание инструмента.

Внимание! Постоянно следите, чтобы сопло инструмента не было направлено на Вас или стоящих рядом людей. Не дотрагивайтесь до сопла. Следите, чтобы ничто не могло упасть в сопло.

Удаление лакокрасочных покрытий

- ◆ Направьте поток горячего воздуха на поверхность с удаляемым лакокрасочным покрытием.
- ◆ Не сжигайте краску. Удерживайте сопло на расстоянии минимум 25 мм от окрашенной поверхности.
- ◆ Как только покрытие размякнется, соскоблите его скребком. Немедленно соскабливайте размякшую краску с обрабатываемой по-

верхности, в противном случае она снова затвердеет.

- ◆ По возможности, скоблите вдоль волокон древесины.
- ◆ Избегайте накопления удаляемой краски и прочего мусора на скребке.
- ◆ При работе на вертикальной поверхности, снимайте краску по направлению сверху-вниз, во избежание ее скопления в сопле инструмента.
- ◆ При удалении краски с поверхностей, расположенных вблизи от стекла, примите необходимые меры защиты стекла от высокой температуры.

Внимание! При удалении лакокрасочных покрытий с металлических или деревянных оконных рам всегда используйте насадку, предохраняющую стекло.

- ◆ Избавляйтесь от остатков краски безопасным для окружающей среды способом и удостоверьтесь, что рабочее место полностью очищено по окончании работы.

Охлаждение инструмента

В процессе работы сопло инструмента очень сильно нагревается. После выключения инструмента дайте ему охладиться в течение минимум 30 минут.

- ◆ Поставьте инструмент соплом вверх на поверхность, на которой он не сможет опрокинуться.
- ◆ Для сокращения времени охлаждения, переключите инструмент на самый низкий температурный режим и дайте ему поработать несколько минут, прежде чем окончательно выключить инструмент.

Техническое обслуживание

Ваш инструмент Black & Decker рассчитан на работу в течение продолжительного времени при минимальном техническом обслуживании. Срок службы и надежность инструмента увеличивается при правильном уходе и регулярной чистке.

Внимание! Перед проведением любых видов работ по техническому обслуживанию выключите электроинструмент, выньте вилку кабеля из штепсельной розетки и дождитесь полного охлаждения инструмента.

- ◆ Регулярно очищайте вентиляционные отверстия Вашего инструмента мягкой щеткой или сухой тканью.
- ◆ Для чистки инструмента используйте только слабый мыльный раствор и влажную ткань. Не используйте абразивные чистящие сред-

ства, а также чистящие средства на основе растворителей. Не допускайте попадания какой-либо жидкости внутрь инструмента и никогда не погружайте в воду какую-либо из его частей.

Технические характеристики

		KX1650 (Тип 1)
Напряжение питания	В перем. тока	230
Конструкция		Класс II
Потребляемая мощность	Вт	1750
Рабочая температура	°C	460 - 600
Вес	кг	0,6

Защита окружающей среды



Раздельный сбор. Данное изделие нельзя утилизировать вместе с обычными бытовыми отходами.

Если однажды Вы захотите заменить Ваш электроинструмент Black & Decker или Вы больше в нем не нуждаетесь, не выбрасывайте его вместе с бытовыми отходами. Отнесите изделие в специальный приемный пункт.



Раздельный сбор изделий с истекшим сроком службы и их упаковок позволяет пускать их в переработку и повторно использовать. Использование переработанных материалов помогает защищать окружающую среду от загрязнения и снижает расход сырьевых материалов.

Местное законодательство может обеспечить сбор старых электроинструментов отдельно от бытового мусора на муниципальных свалках отходов, или Вы можете сдавать их в торговом предприятии при покупке нового изделия.

Фирма Black & Decker обеспечивает прием и переработку отслуживших свой срок изделий Black & Decker. Чтобы воспользоваться этой услугой, Вы можете сдать Ваше изделие в любой авторизованный сервисный центр, который собирает их по нашему поручению.

Вы можете узнать место нахождения Вашего ближайшего авторизованного сервисного центра, обратившись в Ваш местный офис Black & Decker по адресу, указанному в данном руководстве по эксплуатации. Кроме того, список авторизованных сервисных центров Black & Decker и полную информацию о нашем послепродажном обслуживании и контактах Вы можете найти в интернете по адресу: www.2helpU.com



Сертификат соответствия №
РОСС DE.ME77.B07301
KX1650

Блэк энд Деккер ГмбХ
Германия, 65510, Идштайн,
ул. Блэк энд Деккер, 40



БЛЭК ЭНД ДЕККЕР

Гарантийные условия

Уважаемый покупатель!

1. Поздравляем Вас с покупкой высококачественного изделия БЛЭК ЭНД ДЕККЕР и выражаем признательность за Ваш выбор.
- 1.1. Надежная работа данного изделия в течение всего срока эксплуатации - предмет особой заботы наших сервисных служб. В случае возникновения каких-либо проблем в процессе эксплуатации изделия рекомендуем Вам обращаться только в авторизованные сервисные организации, адреса и телефоны которых Вы сможете найти в Гарантийном талоне или узнать в магазине. Наши сервисные станции - это не только квалифицированный ремонт, но и широкий выбор запчастей и принадлежностей.
- 1.2. При покупке изделия требуйте проверки его комплектности и исправности в Вашем присутствии, инструкцию по эксплуатации и заполненный Гарантийный талон на русском языке. При отсутствии у Вас правильно заполненного Гарантийного талона мы будем вынуждены отклонить Ваши претензии по качеству данного изделия.
- 1.3. Во избежание недоразумений убедительно просим Вас перед началом работы с изделием внимательно ознакомиться с инструкцией по его эксплуатации.
- 1.4. Обращаем Ваше внимание на исключительно бытовое назначение данного изделия.
2. Правовой основой настоящих гарантийных условий является действующее Законодательство и, в частности, Закон "О защите прав потребителей".
3. Гарантийный срок на данное изделие составляет 24 месяца и исчисляется со дня продажи через розничную торговую сеть. В случае устранения недостатков изделия, гарантийный срок продлевается на период, в течение которого оно не использовалось.
4. Срок службы изделия - 5 лет (минимальный, установленный в соответствии с Законом "О защите прав потребителей").
5. Наши гарантийные обязательства распространяются только на неисправности, выявленные в течение гарантийного срока и обусловленные производственными и конструктивными факторами.
6. Гарантийные обязательства не распространяются:
 - 6.1. На неисправности изделия, возникшие в результате:
 - 6.1.1. Несоблюдения пользователем предписаний инструкции по эксплуатации изделия.
 - 6.1.2. Механического повреждения, вызванного внешним ударным или любым иным воздействием.
 - 6.1.3. Использования изделия в профессиональных целях и объемах, в коммерческих целях.
 - 6.1.4. Применения изделия не по назначению.
 - 6.1.5. Стихийного бедствия.
 - 6.1.6. Неблагоприятных атмосферных и иных внешних воздействий на изделие, таких как дождь, снег, повышенная влажность, нагрев, агрессивные среды, несоответствие параметров питающей электросети параметрам, указанным на инструменте.
 - 6.1.7. Использования принадлежностей, расходных материалов и запчастей, не рекомендованных или не одобренных производителем.
 - 6.1.8. Проникновения внутрь изделия посторонних предметов, насекомых, материалов или веществ, не являющихся отходами, сопровождающими применение по назначению, такими как стружка опилки и пр.
 - 6.2. На инструменты, подвергавшиеся вскрытию, ремонту или модификации вне уполномоченной сервисной станции.
 - 6.3. На принадлежности, запчасти, вышедшие из строя вследствие нормального износа, и расходные материалы, такие как приводные ремни, угольные щетки, аккумуляторные батареи, ножи, пилки, абразивы, пыльные диски, сверла, буры и т. п.
 - 6.4. На неисправности, возникшие в результате перегрузки инструмента, повлекшей выход из строя электродвигателя или других узлов и деталей. К безусловным признакам перегрузки изделия относятся, помимо прочих: появление цветов побежалости, деформация или оплавление деталей и узлов изделия, потемнение или обугливание изоляции проводов электродвигателя под воздействием высокой температуры.

Область застосування

Ваш технічний фен (термопістолет) Black & Decker було розроблено для різноманітних завдань, де необхідне гаряче повітря, наприклад, для видалення фарби. Цей продукт призначений лише для побутового використання в приміщенні.

Інструкції з техніки безпеки

Загальні правила безпеки для електричного інструменту



Попередження! Перед використанням інструменту уважно прочитайте всі попередження та інструкції. Невиконання попереджень та інструкцій, наведених нижче, може призвести до ураження електричним струмом, пожежі та/або серйозних травм.

Збережіть всі попередження та інструкції для використання в майбутньому. Термін „електричний інструмент” в усіх попередженнях, перерахованих нижче, стосується використовуваних вами інструментів, що працюють від мережі енергоспоживання (з використанням електричного кабелю) або акумуляторів (без кабелю).

1. Безпека робочої зони

- a. **Тримайте робочу зону чистою та добре освітленою.** Неупорядковані та темні робочі зони збільшують ймовірність нещасного випадку.
- b. **Не використовуйте електричні інструменти у вибухонебезпечній атмосфері, наприклад, в присутності вогненебезпечних рідин, газів та пилу.** Електричні інструменти створюють іскри, що можуть запалити пил або випаровування.
- c. **Тримайте дітей та сторонніх подалі під час використання інструменту.** Відвернення уваги може призвести до втрати контролю.

2. Електрична безпека

- a. **Вилка електричного інструменту має відповідати розетці. Ніколи ніяким чином не змінюйте вилку. Не використовуйте адаптерів із заземленими електричними інструментами.** Немодифіковані вилки та розетки, що підходять до них, зменшують ризик ураження електричним струмом.
- b. **Уникайте контакту тіла з заземленими поверхнями, такими як труби, радіатори, плити та холодильники.** Якщо Ваше тіло

заземлене, збільшується ризик ураження електричним струмом.

- c. **Не залишайте електричні інструменти під дощем або в умовах підвищеної вологості.** Вода, що потрапляє в електричний інструмент, підвищує ризик ураження електричним струмом.
 - d. **Не використовуйте кабель живлення не за призначенням. Ніколи не використовуйте шнур для перенесення, витягування та відключення від розетки живлення електричного інструменту.** Тримайте шнур подалі від високих температур, мастила, гострих предметів та рухомих деталей. Пошкоджені або перекручені шнури підвищують ризик враження електричним струмом.
 - e. **При використанні електричного інструменту на вулиці, використовуйте подовжувачий шнур, що підходить для використання на вулиці.** Використання шнура, що підходить для вулиці, знижує ризик ураження електричним струмом.
 - f. **Якщо неможливо уникнути використання електричного інструменту в умовах підвищеної вологості, використовуйте живлення, захищене пристроєм залишкового струму (RCD).** Використання RCD знижує ризик ураження електричним струмом.
- #### 3. Особиста безпека
- a. **Будьте в стані готовності, дивіться, що ви робите, та використовуйте загальний глузд, коли ви працюєте з електричним інструментом. Не використовуйте електричний інструмент, коли ви втомлені або знаходитесь під впливом наркотичних речовин, алкоголю або ліків.** Втрата уваги при роботі з електричними інструментами може призвести до серйозних травм.
 - b. **Використовуйте особисті засоби безпеки. Завжди використовуйте засоби захисту очей.** Засоби безпеки, такі як протипилова маска, неслизькі безпечні чоботи, твердий капелюх та засоби захисту слухового апарату, які використані для відповідних умов, зменшують ймовірність особистих травм.
 - c. **Уникнення випадкового запуску. Переконайтесь в тому, що вимикач знаходиться в позиції Вилк. перед підключенням до джерела живлення та/або акумулятора, переміщенням або перенесенням пристрою.** Перенос електричних інструментів, не відпускаючи пальця з вимикача, або ввімкнення електричного інструменту з переми-

качем в позиції "Ввимкнено" може призвести до нещасного випадку.

- d. **Зніміть всі налаштувальні ключі або гайкові ключі перед тим, як вмикати електричний інструмент.** Гайковий ключ, що залишився прикріпленим до якоїсь деталі електричного пристрою, що обертається, може призвести до травм.
 - e. **Не перенапружуйтеся. Завжди утримуйте правильну постановку ніг і рівновагу.** Це дає вам змогу краще контролювати інструмент в неочікуваних ситуаціях.
 - f. **Вдягайтеся відповідним чином. Не вдягайте вільний одяг чи прикраси.** Тримайте ваше волосся, одяг та рукавички подальше від рухомих деталей. Вільний одяг, прикраси або довге волосся може зачепитися за рухомі деталі.
 - g. **Якщо передбачені пристрої для підключення до засобів виділення та збирання пилу, переконайтеся, що вони правильно підключені та використовуються.** Використання таких пристроїв зменшує ризик виникнення небезпечних ситуацій, що пов'язані з потраплянням пилу.
4. **Використання та догляд за електричним інструментом**
 - a. **Не використовуйте надмірні зусилля при роботі з інструментом. Використовуйте відповідний електричний інструмент для вашої задачі.** Правильно обраний інструмент виконає завдання краще та безпечніше за умов, для яких він був розроблений.
 - b. **Не використовуйте інструмент, вмикач якого не вмикає та не вимикає його.** Будь-який електричний інструмент, який не може управлятися вмикачем, є небезпечним і має бути відремонтований.
 - c. **Відключіть вилку від джерела живлення перед тим, як робити будь-які налаштування, зміни додаткового обладнання чи зберігати інструмент.** Ці профілактичні заходи зменшують ризик випадкового запуску електричного інструменту.
 - d. **Бережіть вимкнені електричні інструменти від дітей та не дозволяйте особам, що не знайомі з електричним інструментом або цими інструкціями використовувати електричний інструмент.** Електричні інструменти є небезпечними, якщо вони використовуються некваліфікованими користувачами.
 - e. **Технічне обслуговування електричних інструментів. Перевіряйте на відсутність**

вирівнювання або заїдання рухомих деталей, ушкоджених частин та інших умов, що можуть впливати на роботу електричного інструменту. Якщо є ушкодження, відремонтуйте електричний інструмент перед використанням. Багато нещасних випадків є результатом того, що інструмент не пройшов відповідного технічного обслуговування.

- f. **Тримайте ріжучі інструменти гострими та чистими.** Правильно доглянуті ріжучі інструменти з гострими ріжучими кромками мають меншу ймовірність заїдання, та ними легше керувати.
- g. **Використовуйте електричний інструмент, додаткові інструменти та деталі інструменту тощо у відповідності до цих інструкцій та відповідно до даного типу електричних інструментів, зважаючи на умови використання та роботу, яка має бути виконана.** Використання електричних інструментів не за призначенням може призвести до виникнення небезпечних ситуацій.

5. Обслуговування

- a. **Надавайте Ваш електричний інструмент для обслуговування кваліфікованим спеціалістом з ремонту та використовуйте тільки ідентичні замінні деталі.** Це забезпечить безпеку електричного пристрою, що обслуговується.

Додаткові правила безпеки для електричного інструменту



Попередження! Додаткові інструкції з техніки безпеки для технічних фенів.

Попередження: Не використовуйте пристрій поза приміщенням, він призначений лише для використання в приміщенні.

Попередження: Коли пристрій не використовується, він повинен знаходитися на спеціальній підставці.

Попередження: Якщо пристрій використовується без необхідної обережності, це може призвести до виникнення пожежі, тому необхідно бути особливо обережними в місцях, де є легкозаймисті матеріали.

- ◆ Не направляйте гаряче повітря на одне і те саме місце протягом довгого часу.
- ◆ Не використовуйте у вибухонебезпечному середовищі.
- ◆ Пам'ятайте, що тепло може перейти на легкозаймисті матеріали, які знаходяться поза полем зору.

- ◆ Встановлюйте пристрій на підставку після використання та залишайте його для охолодження перед зберіганням.
- ◆ Не залишайте ввімкнений пристрій без нагляду.
- ◆ Не закривайте повітрязбірники та випускні отвори сопла, тому що це може призвести до перегріву пристрою і його пошкодження.
- ◆ Не направляйте потік гарячого повітря на інших людей та тварин.
- ◆ Не торкайтеся сопла, тому що воно може стати дуже гарячим під час використання і залишається гарячим приблизно 30 хвилин після використання.
- ◆ Не направляйте сопло на інші об'єкти під час або відразу після використання.
- ◆ Не вставляйте нічого в сопло, це може призвести до ураження електричним струмом.
- ◆ Не дивитися в сопло, коли пристрій увімкнений.
- ◆ Не використовуйте пристрій в якості фену для волосся! Температура повітря є значно вищою, ніж у фені для волосся.
- ◆ Забезпечте належну вентиляцію під час використання, тому що можуть утворюватися токсичні випаровування.
- ◆ Не використовуйте прилад в умовах підвищеної вологості.
- ◆ При зніманні фарби переконайтеся, що робоча зона закрита. Необхідно використовувати протипилову маску, яка призначена спеціально для захисту від пилу та випаровувань фарби, яка містить свинець, та переконайтеся, що особи, які знаходяться в робочій зоні, також використовують засоби захисту.
- ◆ Не спалюйте фарбу, це може призвести до пожежі.
- ◆ Не дозволяйте фарбі залишатися у соплі, тому що вона може спалахнути через деякий час.
- ◆ Вимкніть пристрій і дайте йому охолонути перед установкою аксесуарів.

Зняття фарби на свинцевій основі

- ◆ Треба бути особливо обережними при зніманні шару фарби. Шматочки, пил та випаровування фарби можуть містити свинець, який є отруйним. Будинки, побудовані до 1960 року, були пофарбовані фарбою із вмістом свинцю. Ця фарба може бути покрита шарами іншої фарби. В процесі знімання такої фарби свинець може потрапити в організм людини.

- ◆ Вплив навіть незначного рівню свинцю може викликати незворотні порушення мозку і нервової системи. Найбільш небезпечним отруєнням свинцем є для дітей та вагітних жінок.
- ◆ Перед початком роботи, важливо визначити, чи містить фарба, яка буде зніматися, свинець. Це можна визначити за допомогою тестового комплекту або професійного маляра. Не паліть, не їжте та не пийте в робочій зоні, де є вірогідність присутності свинцю. Фарби на основі свинцю повинні видалятися лише професіоналами і не повинні видалятися за допомогою технічного фену.

Безпека сторонніх людей

- ◆ Цей інструмент не призначений для використання особами (включаючи дітей) із зниженими фізичними, сенсорними або розумовими можливостями, а також особами, які не мають досвіду та знань, за винятком випадків, коли вони працюють під наглядом або отримали відповідні інструкції щодо використання пристрою від особи, відповідальної за безпеку.
- ◆ Діти повинні знаходитись під контролем, щоб гарантувати, що вони не будуть грати з пристроєм.

Залишкові ризики.

При використанні інструменту можуть виникнути додаткові залишкові ризики, які можуть бути не внесені до попереджень щодо техніки безпеки цього керівництва. Ці ризики можуть виникнути як результат неправильного використання, тривалого використання, тощо.

Незважаючи на виконання всіх відповідних правил техніки безпеки та використання пристроїв безпеки, неможливо уникнути деяких залишкових ризиків. Сюди належать:

- ◆ **Травми через контакт з деталями, що рухаються/обертуються.**
- ◆ **Травми при заміні деталей, пильних полотен або аксесуарів.**
- ◆ **Травми через занадто тривале використання інструменту. При використанні будь-якого інструменту протягом тривалого періоду часу не забувайте робити регулярні перерви.**
- ◆ **Порушення слуху.**
- ◆ **Небезпека для здоров'я через вдихання пилу, що утворюється при використанні інструменту (наприклад, при роботі з деревом, особливо з дубом, березою та ДВП).**

Написи на інструменті

На інструменті є наступні піктограми:



Попередження! Щоб зменшити ризик травм, користувач повинен прочитати керівництво з експлуатації.

Електрична безпека



Цей зарядний пристрій має подвійну ізоляцію; тому заземлення не є необхідним. Завжди перевіряйте, що джерело живлення відповідає напрузі, яка вказана на таблиці з паспортними даними.

- ◆ Якщо шнур живлення пошкоджений, його необхідно замінити у виробника або в офіційному сервісному центрі Black & Decker для уникнення небезпеки.

Подовжувальні кабелі

- ◆ Можна використовувати 2- або 3-жильний кабель, тому що пристрій має подвійну ізоляцію і конструкцію класу II.
- ◆ Можна використовувати до 30 м кабелю без втрати потужності.

Деталі

Цей інструмент має деякі чи всі деталі з нижче вказаних.

1. Вимикач
2. Сопло

Зборка

Попередження! Перед збіркою переконайтеся, що інструмент вимкнено та вилка витягнута з розетки.

Встановлення аксесуару

Певні аксесуари можна отримати у місцевих продавців.

- **Конусна насадку:** робить повітряний потік більш сконцентрованим.
- **Насадка у вигляді риб'ячого хвоста:** робить повітряний потік менш сконцентрованим
- **Ложковий відбивач:** для запаювання труб.
- **Захист для скла:** для захисту скла під час знімання фарби.
- **Скребок:** для зняття фарби та лаку.
- ◆ Встановіть сполучну деталь аксесуару на сопло (2).

Використання

Вмикання та вимикання

- ◆ Щоб включити інструмент на низькій швидкості повітряного потоку, низькому рівні подачі тепла, встановіть перемикач вкл./викл. у положення I.
- ◆ Щоб включити інструмент на високій швидкості повітряного потоку, високому рівні подачі тепла, встановіть перемикач вкл./викл. у положення II.
- ◆ Щоб вимкнути інструмент, встановіть перемикач у положення O.

Використання інструменту

Ваш інструмент оснащений термостатом для безпечної роботи. Використання інструменту протягом тривалого періоду або виконання інших важких робочих циклів може привести до перегріву інструменту і його зупинки. Тому ми рекомендуємо під час використання надавати інструменту час для охолодження через регулярні проміжки часу.

- ◆ Перед використанням дайте інструменту деякий час для прогріву.
- ◆ При першому використанні може з'явитися дим із сопла. Це є нормою, і він має зникнути через певний час.
- ◆ Використовуйте низьке значення температури для сушіння фарби і лаку, видалення наклею, стягування ізоляційних труб і розморожування замерзлих труб.
- ◆ Використовуйте високе значення температури для видалення фарби і лаку, а також для пайки водопровідних з'єднань.
- ◆ Якщо ви не впевнені щодо використання цього інструменту з конкретним матеріалом, почніть з установки низької температури і виконайте тест на відходах.

Використання, не тримаючи пристрій у руках (мал. А)

Інструмент можна встановити на підставку (3), що дозволяє не тримати його в руках.

- ◆ Розмістіть інструмент соплом догори так на рівну поверхню, щоб він не впав.
- ◆ Зафіксуйте кабель, щоб уникнути падіння інструменту.

Попередження! Завжди направляйте потік інструменту у напрямку від себе та інших осіб. Не торкайтесь сопла. Слідкуйте, щоб чужорідні предмети не потрапили у сопло.

Знімання фарби

- ◆ Спрямуйте потік гарячого повітря на робочу зону для розігріву фарби.
- ◆ Не спалюйте фарбу. Тримайте сопло на відстані не менше 25 мм від поверхні.
- ◆ Коли фарба розм'якшується, зніміть її за допомогою скребка. Очистіть м'яку фарбу відразу, інакше вона знов затвердіє.
- ◆ Очистіть фарбу до деревини, де це можливо.
- ◆ Не дозволяйте фарбі і відходам збирати на скребку.
- ◆ Коли знімається фарба з вертикальної поверхні, спрямовуйте скребок вниз, щоб запобігти потраплянню фарби в сопло.
- ◆ Коли видаляється фарба з поверхні поряд зі склом, необхідно вжити певних заходів для захисту скла від тепла.

Попередження! Використовуйте сопло із захистом скла, коли необхідно видалити фарбу з металу або дерев'яної рами вікна.

- ◆ Необхідно безпечно знищити залишки фарби і переконатися, що робоча зона ретельно очищена після використання інструменту.

Охолодження

Під час використання сопло інструменту стає дуже гарячим. Після вимкнення залишіть інструмент для охолодження щонайменше на 30 хвилин.

- ◆ Розмістіть інструмент соплом догори так на рівну поверхню, щоб він не впав.
- ◆ Щоб скоротити час охолодження, увімкніть інструмент на мінімальну температуру на кілька хвилин перед вимкненням.

Технічне обслуговування

Ваш інструмент виробництва компанії Black & Decker призначений для роботи протягом довгого часу з мінімальним обслуговуванням. Постійна задовільна робота залежить від правильного догляду за інструментом та регулярної очистки.

Попередження! Вимкніть пристрій і дайте йому охолонути, перш ніж виконувати технічне обслуговування приладу.

- ◆ Регулярно очищуйте вентиляційні отвори інструменту, використовуючи м'яку щітку чи суху ганчірку.
- ◆ Для очищення пристрою використовуйте лише м'який мильний розчин та вологу ганчірку. Не використовуйте абразивні очищувачі та засоби, що містять розчинники. Не дозволяйте рідині потрапляти всередину інструменту та ніколи не занурюйте деталі інструменту в рідину.

Заміна шнура живлення (тільки для Великобританії та Ірландії)

Якщо нові шнури живлення мають бути прилаштовані:

- ◆ Зніміть стару вилку та утилізуйте її, дотримуючись правил техніки безпеки.
- ◆ Приєднайте коричневий провідник до активного виходу нової вилки.
- ◆ Приєднайте блакитний провідник до нейтрального виходу.

Попередження! Жоден провідник повинен бути підключений до клеми заземлення. Дотримуйтесь інструкцій щодо налаштування, що поставляються з якісними вилками. Плавкий запобіжник, що рекомендується: 13 А.

Захист навколишнього середовища



Окреме збирання. Цей продукт не можна викидати разом зі звичайним побутовим сміттям.

Якщо якимось ви вирішите, що ваш виріб фірми Black & Decker має бути замінено, або він Вам більше не потрібний, не викидайте його на смітний побутового сміття. Зробіть цей виріб доступним для спеціального збирання.



Окремий збір використаних виробів та упаковки дозволяє повторно переробляти та використовувати матеріали. Переробка повторно використовуваних матеріалів допомагає попередити забруднення навколишнього середовища та зменшує потребу в сировині.

Місцеві законодавчі акти можуть передбачати окремий збір електричного обладнання в муніципальних місцях для збору сміття або продавцями при покупці нового обладнання.

Компанія Black & Decker має можливість для збору та переробки продуктів власного виробництва після закінчення їхнього терміну служби. Щоб скористатися цією послугою, поверніть виріб компанії в офіційний сервісний центр, які збирають відпрацьовані продукти за наш рахунок.

Ви можете знайти місцезнаходження найближчого до Вас сервісного центру, зв'язавшись з місцевим офісом компанії Black & Decker за адресою, вказаною в цих інструкціях. Крім того, список офіційних сервісних центрів компанії Black & Decker з усіма подробицями нашого післяпродажного обслуговування та контактною інформацією міститься в Інтернеті за адресою: www.2helpu.com

Технічні дані

KX1650 (Тип 1)		
Вхідна напруга	V _{ac}	230
Конструкція		Клас II
Вхідна потужність	Вт	1750
Діапазон температур	°C	460 - 600
Вага	кг	0.6

торгову марку Black & Decker та наші продукти
відвідайте наш сайт за адресою
www.blackanddecker.co.uk

Гарантія

Компанія Black & Decker впевнена в якості своєї продукції та пропонує чудові умови гарантії. Ці гарантійні умови є додатковими та в якійсь мірі підтверджують ваші законні права. Ця гарантія є дійсною на території країн-членів Європейського Союзу та в європейській зоні вільної торгівлі.

Якщо продукт Black & Decker стає несправним через неякісні матеріали, конструкцію або невідповідність вимогам протягом 24 місяці з дня покупки, компанія Black & Decker гарантує заміну несправних деталей, ремонт продуктів, що піддалися зносу, або заміну таких продуктів для забезпечення мінімальних незручностей для споживачів, за винятком випадків, коли:

- ◆ Виріб використовувався в професійних цілях та об'ємах;
- ◆ Продукт використовувався не за призначенням або не обслуговувався;
- ◆ Продукт зазнав механічних пошкоджень, викликаних зовнішніми предметами, речовинами або іншим впливом;
- ◆ Продукт намагалися відремонтувати особи, які не є працівниками офіційного сервісного центру або персоналом з ремонту компанії Black & Decker.

Щоб отримати гарантійне обслуговування, вам необхідно надати доказ покупки продавцеві або агенту з ремонту. Ви можете знайти місцезнаходження найближчого до Вас сервісного центру, зв'язавшись з місцевим офісом компанії Black & Decker за адресою, вказаною в цих інструкціях. Крім того, список офіційних сервісних центрів компанії Black & Decker з усіма подробицями нашого післяпродажного обслуговування та контактною інформацією міститься в Інтернеті за адресою: www.2helpU.com

Будь ласка, відвідайте наш веб-сайт www.blackanddecker.co.uk, щоб зареєструвати свій новий продукт Black & Decker та отримувати інформацію про нові продукти та спеціальні пропозиції. Для отримання додаткової інформації про

БЛЕК ЕНД ДЕККЕР

гарантійні умови

Шановний покупцю!

1. Вітаємо Вас з покупкою високоякісного виробу компанії Black & Decker та висловлюємо Вам свою вдячність за Ваш вибір.
- 1.1. Надійна робота цього виробу на протязі всього терміну експлуатації є предметом особливої турботи наших сервісних служб. У випадку виникнення будь-яких проблем в процесі експлуатації виробу ми рекомендуємо Вам звертатися лише до авторизованих сервісних організацій, адреси та телефони яких Ви зможете знайти в Гарантійному талоні або дізнатися в магазині. Наші сервісні центри – це не тільки кваліфікований ремонт, але і широкий вибір запчастин та аксесуарів.
- 1.2. При купівлі виробу вимагайте перевірки його комплекtnості та справності за Вашої присутності, наявності інструкції та заповненого Гарантійного талону на українській мові. За умови відсутності у Вас правильно заповненого Гарантійного талону ми будемо вимушені відхилити Ваші претензії щодо якості цього виробу.
- 1.3. Щоб уникнути всіх непорозумінь наполегливо просимо Вас перед початком роботи з виробом уважно ознайомитись з інструкцією щодо його експлуатації.
- 1.4. Звертаємо Вашу увагу на виключно побутове призначення цього виробу.
2. Правовою основою даних гарантійних умов є діюче Законодавство та, зокрема, Закон "Про захист прав споживачів".
3. Гарантійний термін на даний виріб складає 24 місяці та починається з дня продажу через роздрібну торгівлю мережу. У випадку усунення недоліків виробу гарантійний термін подовжується на період, протягом якого виріб не використовувався.
4. Термін служби виробу - 5 років (мінімальний, встановлений у відповідності до Закону "Про захист прав споживачів").
5. Наші гарантійні зобов'язання поширюються тільки на несправності, виявлені протягом гарантійного терміну та обумовлені виробничими та конструктивними факторами.
6. Гарантійні зобов'язання не поширюються:
 - 6.1. На несправності виробу, що виникли в результаті:
 - 6.1.1. Недотримання користувачем вказівок інструкції з експлуатації виробу.
 - 6.1.2. Механічних пошкоджень, викликаних зовнішнім ударним або іншим впливом.
 - 6.1.3. Використання виробу в професійних цілях та об'ємах, в комерційних цілях.
 - 6.1.4. Застосування виробу не за призначенням.
 - 6.1.5. Стихійного лиха.

- 6.1.6. Несприятливому атмосферному та інших зовнішніх впливах на виріб, таких як дощ, сніг, підвищена вологість, нагрів, агресивні середовища, невідповідність параметрів електромережі параметрам, вказаним на інструменті.
- 6.1.7. Використання аксесуарів, витратних матеріалів та запчастин, які не рекомендовані або не схвалені виробником.
- 6.1.8. Проникнення всередину інструменту сторонніх предметів, комах, матеріалів або речовин, що не є відходами, які супроводжують використання інструменту за призначенням, наприклад, стружки, опилки та ін.
- 6.2. На інструменти, що були відкриті, піддані ремонту або модифікації поза уповноваженим сервісним центром.
- 6.3. На приналежності, запчастини, що вийшли з ладу внаслідок нормального зносу, та витратні матеріали, такі як, приводні ремені, вугільні щітки, ножі, та ін.
- 6.4. На несправності, які виникли в результаті перевантаження інструменту, що призвело до виходу з ладу електродвигуна або інших вузлів та деталей. До безумовних ознак переважання виробу належать, зокрема: поява кольорів мінливості, деформація або оплавлення деталей та вузлів виробу, потемніння або обуглювання ізоляції дрітві електродвигуна під впливом високої температури.



Блек енд Декер ГмбХ,
Блек енд Декер Штрассе, 40,
65510 Ідштайн, Німеччина.

03 червня 1999 р.

Kullanım amacı

Black & Decker sıcak hava tabancanız farklı ısıtma uygulamaları için tasarlanmıştır (örneğin boya sökme). Hafif hizmet, hobi ve iç mekan kullanımı içindir.

Güvenlik talimatları

Genel elektrikli alet güvenlik uyarıları



Uyarı! Bütün güvenlik uyarılarını ve talimatlarını mutlaka okuyun. Aşağıda yer alan uyarılar ve talimatların herhangi birisine uyulmaması elektrik çarpması, yangın ve/veya ciddi yaralanma riskine neden olabilir.

Bütün uyarı ve güvenlik talimatlarını ileride bakmak üzere saklayın. Aşağıda yer alan uyarılardaki «elektrikli alet» terimi şebeke elektrigiyle (kablolu) veya akü/pille (şarjlı) çalışan elektrikli aletinizi ifade etmektedir.

1. Çalışma alanının güvenliği

- Çalışma alanını temiz ve aydınlık tutun.** Karışık veya karanlık alanlar kazaya davetiye çıkarır.
- Elektrikli aletleri, yanıcı sıvılar, gazlar ve tozların bulunduğu yerler gibi yanıcı ortamlarda çalıştırmayın.** Elektrikli aletler, toz veya dumanları ateşleyebilecek kıvılcımlar çıkarır.
- Bir elektrikli aleti çalıştırırken çocuklardan ve etraftaki kişilerden uzak tutun.** Dikkatinizi dağıtıcı şeyler kontrolü kaybetmenize neden olabilir.

2. Elektrik güvenliği

- Elektrikli aletlerin fişleri prizlere uygun olmalıdır.** Fiş üzerinde kesinlikle hiçbir değişiklik yapmayın. Topraklı elektrikli aletlerde hiçbir adaptör fişi kullanmayın. Değiştirilmemiş fişler ve uygun prizler elektrik çarpması riskini azaltacaktır.
- Borular, radyatörler, ocaklar ve buzdolapları gibi topraklanmamış yüzeylerle vücut temasından kaçının.** Vücudunuzun topraklanması halinde yüksek bir elektrik çarpması riski vardır.
- Elektrikli aletleri yağmura maruz bırakmayın veya ıslatmayın.** Elektrikli alete su girmesi elektrik çarpması riskini arttıracaktır.
- Elektrik kablosunu uygun olmayan amaçlarla kullanmayın.** Elektrikli aleti kesinlikle kablosundan tutarak taşımayın, çekmeyin veya prizden çıkartmayın. Kabloyu sıcaktan, yağdan, keskin kenarlardan veya hareketli parçalardan uzak tutun. Hasarlı veya dolaşmış kablolar elektrik çarpması riskini artırır.
- Elektrikli bir aleti açık havada çalıştırıyorsanız, açık havada kullanıma uygun bir uzatma**

kablosu kullanın. Açık havada kullanıma uygun bir kablounun kullanılması elektrik çarpması riskini azaltır.

- Eğer bir elektrikli aletin nemli bir bölgede çalıştırılması zorunluysa, bir artık akım aygıtı (RCD) korumalı bir kaynak kullanın.** Bir RCD kullanılması elektrik şoku riskini azaltır.

3. Kişisel güvenlik

- Elektrikli bir aleti kullanırken her zaman dikkatli olun, yaptığınız işe yoğunlaşın ve sağduyulu davranın.** Elektrikli bir aleti yorgunken veya ilaç ya da alkolün etkisi altındayken kullanmayın. Elektrikli aletleri kullanırken bir anlık dikkatsizlik ciddi kişisel yaralanmayla sonuçlanabilir.
 - Kişisel koruyucu ekipmanları mutlaka kullanın.** Daima koruyucu gözlük takın. Koşullara uygun toz maskesi, kaymayan güvenlik ayakkabıları, baret veya kulaklık gibi koruyucu donanımların kullanılması kişisel yaralanmaları azaltacaktır.
 - İstem dışı çalıştırılmasını önleyin.** Cihazı güç kaynağına ve/veya aküye bağlamadan, yerden kaldırmadan veya taşımadan önce düğmenin kapalı konumda olduğundan emin olun. Aleti, parmağınız düğme üzerinde bulunacak şekilde taşımak veya açık konumdaki elektrikli aletleri elektrik şebekesine bağlamak kazaya davetiye çıkarır.
 - Elektrikli aleti açmadan önce tüm ayarlama anahtarlarını çıkartın.** Elektrikli aletin hareketli bir parçasına takılı kalmış bir anahtar kişisel yaralanmaya neden olabilir.
 - Ulaşmakta zorlandığınız yerlerde kullanmayın.** Daima sağlam ve dengeli basın. Bu, beklenmedik durumlarda elektrikli aletin daha iyi kontrol edilmesine olanak tanır.
 - Uygun şekilde giyinin.** Bol elbiseler giymeyin ve takı takmayın. Saçınızı, elbiselerinizi ve eldivenlerinizi hareketli parçalardan uzak tutun. Bol elbiseler ve takılar veya uzun saç hareketli parçalara takılabilir.
 - Eğer kullandığınız üründe toz emme ve toplama özellikleri olan ataşmanlar varsa bunların bağlı olduğundan ve doğru şekilde kullanıldığınından emin olun.** Bu toz toplama ataşmanların kullanılması tozla ilgili tehlikeleri azaltabilir.
- Elektrikli aletlerin kullanımı ve bakımı**
 - Elektrikli aleti zorlamayın.** Uygulanamaz için doğru elektrikli aleti kullanın. Doğru elektrikli alet, belirlendiği kapasite ayarında kullanıldığında daha iyi ve güvenli çalışacaktır.

- b. Dügme açmıyor ve kapatmıyorsa elektrikli aleti kullanmayın.** Dügmeyle kontrol edilemeyen tüm elektrikli aletler tehlikelidir ve tamir edilmesi gerekmektedir.
- c. Herhangi bir ayarlama, aksesuar deęişimi veya elektrikli aletlerin saklanması öncesinde fişi güç kaynağından çekin ve/veya aküyü elektrikli aletten ayırın.** Bu tür önleyici güvenlik tedbirleri aletin istem dışı olarak çalıştırılması riskini azaltacaktır.
- d. Elektrikli aleti, çocukların ulaşamayacağı yerlerde saklayın ve elektrikli aleti tanımayan veya bu talimatları bilmeyen kişilerin elektrikli aleti kullanımına izin vermeyin.** Elektrikli aletler, eğitimsiz kullanıcıların elinde tehlikelidir.
- e. Elektrikli aletleri iyi durumda muhafaza edin. Hareketli parçalardaki hizalama hatalarını ve tutuklukları, parçalardaki kırılmalar ve elektrikli aletin çalışmasını etkileyebilecek tüm diğer koşulları kontrol edin. Hasarlı ise, elektrikli aleti kullanmadan önce tamir ettirin.** Kazaların çoğu, elektrikli aletlerin bakımının yeterli şekilde yapılmamasından kaynaklanır.
- f. Kesim aletlerini keskin ve temiz tutun.** Bakımı uygun şekilde yapılmış keskin kesim uçlu kesim aletlerinin sıkışma ihtimali daha düşüktür ve kontrol edilmesi daha kolaydır.
- g. Elektrikli aleti, aksesuarlarını ve aletin diğer parçalarını kullanırken bu talimatlara mutlaka uyun ve çalışma ortamının koşullarını ve yapılacak işin ne olduğunu göz önünde bulundurun.** Elektrikli aletin öngörülen işlemler dışındaki işlemler için kullanılması tehlikeli durumlara neden olabilir.

5. Servis

- a. Elektrikli aletinizi, sadece orijinal yedek parçaların kullanıldığı yetkili servise tamir ettirin.** Bu, elektrikli aletin güvenliğinin muhafaza edilmesini sağlayacaktır.

Elektrikli el aletleri için ek güvenlik talimatları



Uyarı! Sıcak hava tabancaları için ek güvenlik talimatları

Uyarı: İç mekanda kullanılır, dış mekanda kullanmayın.

Uyarı: Aleti, kullanılmadığı zamanlarda desteği üzerinde bırakın.

Uyarı: Aletin düzgün kullanılmaması, yangına yol açabilir, bu nedenle aleti yanıcı maddeler bulunan yerlerde kullanırken dikkatli olun.

- ◆ Aynı yeri uzun süre ısıtmayın.
- ◆ Aleti hiçbir zaman ortam atmosferinde patlayıcı gazlar varken kullanmayın.
- ◆ Görüş alanınızın dışındaki yanıcı malzemelere ısı iletilmediğinden emin olun.
- ◆ Kullanımdan sonra aleti destekte bırakın ve kaldırmadan önce tamamen soğumasını bekleyin.
- ◆ Aleti açıkken denetimsiz bırakmayın.
- ◆ Hava girişi yuvalarını veya nozül çıkışını tıkamayın; aksi takdirde oluşacak aşırı ısı aletin hasar görmesine neden olabilir.
- ◆ Sıcak hava akımını diğer insanların veya hayvanların üzerine tutmayın.
- ◆ Kullanım sırasında çok ısındığı ve kullanım sonrasında da yaklaşık 30 dakika sıcak kaldığı için nozüle dokunmayın.
- ◆ Kullanım sırasında veya kullanımdan hemen sonra nozül herhangi bir nesneye temas edecek şekilde yerleştirmeyin.
- ◆ Nozülden içeri herhangi bir şey sokmayın; aksi takdirde elektrik çarpmayabilir.
- ◆ Alet açıkken nozülün içine bakmayın.
- ◆ Aleti saç kurutma makinesi olarak kullanmayın! Aletin üflediği hava sıcaklığı bir saç kurutma makinesinininkinden çok daha fazladır.
- ◆ Zehirli buharlar oluşabileceği için uygun havalandırma sağlandığından emin olun.
- ◆ Aleti hiçbir zaman nemli hava koşullarında kullanmayın.
- ◆ Boyayı çıkartırken çalışma alanının kapalı olduğundan emin olun. Kurşunlu boya tozu ve dumanlarına karşı korunma için özel olarak tasarlanmış bir tuz maskesi kullanın ve çalışma alanına giren veya bu alanda bulunan kişilerin de korunduğundan emin olun.
- ◆ Boyayı yakmayın. Yangın tehlikesi oluşturabilir.
- ◆ Nozüle boya yapışmasına izin vermeyin çünkü kısa bir süre sonra alev alabilirler.
- ◆ Aleti kapatın ve herhangi bir aksesuar takmadan önce soğumasını bekleyin.

Kurşun bazlı boya sökme

- ◆ Boya sökülürken çok dikkatli olunmalıdır. Boya döküntüleri, kalıntıları ve buharları zehirli olan kurşun içerebilir. 1960 yılından önce inşa edilmiş herhangi bir bina geçmişte, kurşun içeren boya ile boyanmış olabilir. Bu boya ek boya katlarıyla kaplanmış olabilir. Yüzeylerde biriken kurşun, el-ağız teması sonucunda yutulabilir.
- ◆ Çok düşük düzeylerde kurşuna maruz kalınması bile beyin ve sinir sisteminde onarılamaz tahribatlara yol açabilir. Kurşun zehirlenmesi en çok çocuklar ve gebe kadınlar açısından tehlike arz etmektedir.

- ◆ Çalışmaya başlamadan önce, sökülecek boyanın kurşun içerip içermediğini belirlemek önemlidir. Bu, bir test kiti ile veya profesyonel bir dekoratör tarafından yapılabilir. Kurşun bulmuş olma ihtimali olan bir çalışma alanında sigara içmeyin, yemek yemeyin veya hiçbir şey içmeyin. Kurşun bazı boyalar yalnızca profesyoneller tarafından sökülmeli ve ısı tabancası kullanılarak sökülmemelidir.

Diğer kişilerin güvenliği

- ◆ Bu alet fiziksel ve zihinsel kapasitesinin yanı sıra algılama gücü azalmış olan veya yeterince deneyim ve bilgisi bulunmayan kişiler (çocuklar dahil) tarafından kullanılmak üzere üretilmemiştir. Bu tür kişiler aleti ancak güvenliklerinden sorumlu bir kişi tarafından cihazın kullanımıyla ilgili talimatların verilmesi veya sürekli kontrol altında tutulması durumunda kullanabilir.
- ◆ Çocuklar, aletle oynamalarını önlemek amacıyla kontrol altında tutulmalıdır.

Diğer tehlikeler

Aletin kullanımıyla ilgili ekte sunulan güvenlik uyarılarına dahil olmayan ilave kalıcı riskler ortaya çıkabilir. Bu riskler, hatalı, uzun süreli kullanım vb. dolayısıyla ortaya çıkabilir.

Emniyet tedbirlerini düzenleyen yönetmeliğin uygulanmasına ve emniyet sağlayıcı aygıtların kullanılmasına rağmen, başka belirli risklerden kaçınılamaz. Bunlar:

- ◆ **Aletin dönen ve hareket eden parçalarına dokunma sonucu ortaya çıkan yaralanmalar.**
- ◆ **Herhangi bir parçayı, bıçak veya aksesuarı değiştirirken ortaya çıkan yaralanmalar.**
- ◆ **Aletin uzun süreli kullanılması sonucu ortaya çıkan yaralanmalar. Herhangi bir aleti uzun sürelerle kullanacaksanız düzenli olarak çalışmanıza ara verin.**
- ◆ **Duyma bozukluğu.**
- ◆ **Aleti kullanırken ortaya çıkan tozun solunması sonucu ortaya çıkan sağlık sorunları (örnek: ahşapta çalışırken, özellikle meşe, akgürgen ve MDF.)**

Alet üzerindeki etiketler

Alet üzerinde, aşağıdaki uyarı sembolleri bulunmaktadır:



Uyarı! Yaralanma riskini en aza indirmek için kullanıcı kullanım talimatlarını mutlaka okumalıdır.

Elektrik güvenliği



Bu alet çift yalıtımlıdır. Bu yüzden hiçbir topraklama kablosuna gerek yoktur. Her zaman şebeke geriliminin aletin üretim etiketinde belirtilmiş değerlere uyup uymadığını kontrol edin.

- ◆ Elektrik kablosu hasarlı ise, bir tehlike oluşmasını önlemek için üretici ya da yetkili Black & Decker Servis Merkezi tarafından değiştirilmelidir.

Uzatma kabloları

- ◆ Bu alet çift yalıtımlı olduğundan 2. sınıf, 2 veya 3 göbekli uzatma kablosu kullanılmalıdır.
- ◆ 30 metreye kadar güç kaybı olmadan kullanılmalıdır.

Özellikler

bu alet, aşağıdaki özelliklerin bir kısmını veya tümünü içermektedir.

1. Açma/kapama düğmesi
2. Nozül

Montaj

Uyarı! Montajdan önce aletin kapalı ve fişinin çekilmiş olduğundan emin olun.

Aksesuar takılması

Seçilmiş bir aksesuar aralığı bölgenizdeki satıcıdan temin edilebilir.

- **Konik nozül:** Hava akımını küçük alanlar üzerinde yoğunlaştırır.
- **Balık kuyruğu yüzeyli nozül:** Hava akımını daha geniş bir alana dağıtır.
- **Kaşık tipi yansıtıcı nozül:** Boru lehimlemek için.
- **Cam koruyucu nozül:** Camı boya sökülmesi sırasında korumak için.
- **Raspa:** Boya ve cila sökmek için.
- ◆ Aksesuarın bağlantı parçasını nozül (2) üzerine takın.

Kullanımı

Açılması ve kapatılması

- ◆ Aleti düşük hava akımı/düşük sıcaklık ayarında çalıştırmak için, açma/kapama düğmesini I konumuna getirin.
- ◆ Aleti yüksek hava akımı/yüksek sıcaklık ayarında çalıştırmak için, açma/kapama düğmesini II konumuna getirin.
- ◆ Aleti kapatmak için, açma/kapama düğmesini O konumuna getirin.

Aletin kullanımı

Güvenliğiniz için aletinizde termostat bulunur. Aleti sürekli çok uzun sürelerle kullanmak veya çok yoğun şekilde kullanmak, aletin aşırı ısınmasına ve durmasına yol açabilir. Bu nedenle aleti kullanırken düzenli olarak soğumasına imkan vermeniz tavsiye edilir.

- ◆ Kullanım öncesinde aletin birkaç saniye ısınmasını sağlayın.
- ◆ İlk kullanım sırasında nozülünden biraz duman çıkabilir. Bu normaldir ve kısa bir sürede azalacaktır.
- ◆ Boya ve vernik kurutmak, etiketleri çıkarmak, yalıtım kablolarını büzme ve donmuş boruları açmak için düşük bir sıcaklık ayarı kullanın.
- ◆ Boya ve vernik sökmek, tesisat bağlantılarını lehimlemek için yüksek bir sıcaklık ayarı kullanın.
- ◆ Belirli bir malzemede aleti kullanıp kullanmayacağıңызdan emin değilseniz, düşük bir sıcaklık ayarında çalışmaya başlayın ve malzemenin ufak bir parçası üzerinde deneme yapın.

Elsiz kullanım (Şekil A)

Alet, elsiz kullanımı kolaylaştırmak için dik durma yerlerine (3) sahiptir.

- ◆ Aleti, düşmeyeceği bir yüzeye, nozül yukarı bakar şekilde yerleştirin.
- ◆ Aletin çekilerek düşmesini önlemek için kabloyu sabitleyin.

Uyarı! Aleti daima kendinizden ve diğer insanlardan uzağa doğrultun. Nozüle dokunmayın. Nozül içine bir şey düşmemesi için özen gösterin.

Boya sökme

- ◆ Boyayı ısıtmak için sıcak havayı çalışma alanına tutun.
- ◆ Boyayı yakmayın. Nozülü yüzeyden en az 25 mm uzakta tutun.
- ◆ Boya yumuşayınca, raspa kullanarak sökün. Yumuşayan boyayı hemen sökün çünkü tekrar sertleşebilir.
- ◆ Her zaman ahşabın desenleri yönünde sökün.
- ◆ Raspa üzerinde boya ve parçacık birikmesine izin vermeyin.
- ◆ Dikey bir konumda sökerken, boyanın nozül içine düşmesini engellemek için yukarıdan aşağıya doğru çalışın.
- ◆ Cama yakın bir yüzeyde boya sökerken, camı ısıdan korumak için gerekli önlemleri alın.

Uyarı! Metal veya tahta çerçeveli pencerelerden boya sökmek için cam koruyucu nozülünü kullanın. Tüm boya birikintilerini dikkatli bir şekilde atın ve işinizi tamamladıktan sonra çalışma alanını güzelce temizleyin.

Soğutulması

Kullanım sırasında, aletin nozülü aşırı derecede ısınır. Kapadıktan sonra, aleti en az 30 dakika soğumaya bırakın.

- ◆ Aleti, düşmeyeceği bir yüzeye, nozül yukarı bakar şekilde yerleştirin.
- ◆ Soğuma süresini kısaltmak için, kapamadan önce aleti düşük bir sıcaklık ayarına getirip birkaç dakika çalıştırın.

Bakım

Black & Decker aletiniz minimum bakımla uzun bir süre çalışacak şekilde tasarlanmıştır.

Kesintisiz olarak memnuniyet verici bir şekilde çalışması gerekli özenin gösterilmesine ve düzenli temizliğe bağlıdır.

Uyarı! Bakımdan önce aleti kapatın, fişini prizden çekin ve aletin soğumasını bekleyin.

- ◆ Aletinizdeki havalandırma deliklerini yumuşak bir fırça veya kuru bir bezle düzenli olarak temizleyin.
- ◆ Aleti temizlemek için, sadece yumuşak sabun ve nemli bir bez kullanın. Aşındırıcı veya çözücü bazı temizleyiciler kullanmayın. Aletin içine sıvı kaçmasına kesinlikle izin vermeyin ve aletin hiçbir parçasını kesinlikle sıvıya batırmayın.

Çevrenin korunması



Ayrı olarak atın. Bu ürün, normal evsel atıklarla birlikte atılmamalıdır.

Black & Decker ürününüzün değiştirilmesi gerektiğini düşünmeniz veya artık kullanılamaz durumda olması halinde onu, evsel atıklarla birlikte atmayın. Bu ürünü, ayrı olarak toplanacak şekilde atın.



Kullanılmış ürünlerin ve ambalajların ayrı olarak toplanması bu maddelerin geri dönüşüme sokularak yeniden kullanılmasına olanak tanır. Geri dönüşümlü maddelerin tekrar kullanılması çevre kirliliğinin önlenmesine yardımcı olur ve ham madde ihtiyacını azaltır.

Yerel yönetmelikler, elektrikli ürünlerin evlerden toplanıp belediye atık tesislerine aktarılması veya yeni bir ürün satın alırken perakende satıcı tarafından toplanması yönünde hükümler içerebilir.

Black & Decker, hizmet ömrünün sonuna ulaşan Black & Decker ürünlerinin toplanması ve geri dönüşüme sokulması için bir imkân sunmaktadır. Bu hizmetin avantajlarından faydalanmak için, lütfen, ürününüzü bizim adımıza teslim alacak herhangi bir yetkili servise iade edin.

Bu kılavuzda belirtilen listeden size en yakın yetkili tamir servisinin yerini öğrenebilirsiniz. Ya da, alternatif olarak internet'ten Black & Decker yetkili tamir servislerinin listesini ve satış sonrası hizmetlerimizle ilgili tüm bilgiler ve temas bilgilerine aşağıdaki siteden ulaşabilirsiniz. www.2helpU.com

Türkiye Distribütörü
KALE HIRDAVAT VE MAKİNA A.Ş.
Defterdar Mah. Savaklar Cad. No. 15
34050 Edirnekapı Eyüp İstanbul

Teknik özellikleri

	KX1650 (Tip 1)	
Giriş voltajı	V _{ac}	230
Yapı		Sınıf II
Giriş gücü	W	1750
Sıcaklık aralığı	°C	460 - 600
Ağırlık	kg	0,6

Garanti

Black & Decker, ürünün kalitesinden emindir ve bu yüzden kanunlarda belirtilen taleplerin üstünde bir garanti verir. Ayrıca bu garanti hiçbir şekilde garanti ile ilgili kanuni haklarınızı ihlal etmez ve haklarınızı hiç bir şekilde kısıtlamaz. İşbu garanti Avrupa Birliği'ne üye ülkeler ile Avrupa Serbest Ticaret Bölgesi sınırları dahilinde geçerlidir.

Eğer bir Black & Decker ürünü, satın alma tarihinden itibaren 24 ay içinde hatalı malzeme, işçilik ya da uygunsuzluk nedeniyle bozulursa, müşteriye mümkün olabilecek en az sorunu yaşatarak Black & Decker hatalı kısımları değiştirmeyi, adil bir şekilde aşınmış ve yıpranmış ürünleri tamir etmeyi veya değiştirmeyi garanti eder. Ancak bu belirtilenler şu durumlar dışında geçerlidir:

- ◆ Ürün ticari veya profesyonel amaçlarla kullanılmışsa veya kiraya verilmişse;
- ◆ Ürün yanlış veya amaç dışı kullanılmışsa;
- ◆ Ürün yabancı nesnelere, maddelere veya kaza sırasında zarar görmüşse;
- ◆ Yetkili tamir servisleri veya Black & Decker servis ekibinden başkası tarafından tamir edilmeye çalışılmışsa.

Garanti talebinde bulunmak için, satıcıya veya yetkili tamir servisine satın aldığınıza dair ispat sunmalısınız. Fatura ve garanti kartı gerekmektedir. Bu kılavuzda belirtilen listeden size en yakın yetkili tamir servisinin yerini öğrenebilirsiniz. Ya da, alternatif olarak internet'ten Black & Decker yetkili tamir servislerinin listesini ve satış sonrası hizmetlerimizle ilgili tüm bilgiler ve temas bilgilerine aşağıdaki siteden ulaşabilirsiniz.

www.2helpU.com

Sanayi ve Ticaret Bakanlığı tebliğince kullanım ömrü 10 yıldır.

No.	İl	Yetkili Servis	Adres	Telefon
1	Adana	Emin Elektrik Bobinaj	Kızılay Cad. 9. Sok. No: 9/D	0322 351 80 46
2	Afyon	Emek Motor	Karaman Mah. Gazlı Göl Cad. No: 15	0272 212 11 14
3	Ağrı	Tamgüç Bobinaj	Kağızman Cad. No: 42	0472 215 70 41
4	Ankara	Orhan Bobinaj	Yalınç Sok. No: 17 Siteleer	0312 385 92 92
5	Ankara	Yiğit Bobinaj	668. Sok. No: 8 Eminel Koop. İvedik / Ostim	0312 395 05 37
6	Antalya	E.B.A. Elektrik	San. Sit. 682. Sok. No: 38	0242 345 36 22
7	Aydın	Saydam Motor Yedek Parça	Küçük San. Sit. Çubukçu Sok. No: 2/B Söke Aydın	0256 512 81 91
8	Bursa	Vokart	Gazlılar Cad. Erikli Bahçe Sok. No: 7/B	0224 254 48 75
9	Bursa	Vokart	Beşevler Küçük San. Sit. 47. Sok. Parkoop No: 67 Nilüfer	0224 441 57 00
10	Çanakkale	Kısacık Bobinaj	Namık Kemal Mah. Kaynak Sok. No: 41	0286 217 96 71
11	Çanakkale	Ovalı Bobinaj	Hamdibey Mah. İstiklal Cad. No: 160	0286 316 49 66
12	Çorum	Emek Bobinaj	Küçük San. Sit. 23. Cad. No: 5/C Cami Yanı	0364 234 68 84
13	Diyarbakır	Çetsan Elektrik	San. Sit. Karakol Sok. No: 1	0412 223 72 77
14	Elazığ	Kalender Elektrik Bobinaj	San. Sit. 11. Sok. No: 46	0424 224 85 01
15	Erzurum	Bursan Bobinaj	San. Sit. 5. Blok No: 135	0442 242 77 28
16	Eskişehir	Escom Elektronik	Kırmızı Toprak Mah. Ali Fuat Güven Cad. No: 31/A	0222 224 15 30
17	Isparta	İzmir Bobinaj	Yeni San. Sit. 6. Blok No: 28	0246 223 70 11
18	Mersin	Şekerler Elektrik Bobinaj	Nusratiye Mah. 5005 Sok. No: 20/A	0324 336 70 98
19	Mersin	Üniversal Bobinaj	Nursatıye Mah. Çiftçiler Cad. 68 Sok. No:19	0324 233 44 29
20	İstanbul	Akel	Nato Yolu Cad. Özgün Sok. No: 1 Y. Dudullu	0216 540 53 55
21	İstanbul	Fırat Dış Ticaret	Tersane Cad. Kuthan No: 38 Kat: 3 Karaköy	0212 252 93 43
22	İstanbul	Kardeşler Bobinaj Elektrik	Çağlayan Mah. Sinanpaşa Cad. No: 5 Çağlayan	0212 224 97 54
23	İstanbul	Mert Elektrik	İkitelli Org. Demirciler San. Sit. D-2BL. No: 280 İkitelli	0212 549 65 78
24	İstanbul	SVS Teknik	Evlıya Çelebi Mah. İstasyon Cad. Gibtaş San. Sit. F Blok No: 24 Tuzla	0216 446 69 39
25	İstanbul	Orijinal Elektrik	Bağlar Mah. Mimar Sinan Cad. No: 24 Güneşli – Bağcılar	0212 515 67 71
26	İstanbul	Tarık Makina	Bağdat Cad. Adalı Sk. No: 8 Maltepe	0216 370 21 11
27	İzmir	Doruk Hırdavat	1426 Sok. No: 14 Hurdacılar Sit. Doğanlar/Bornova	0232 478 14 12
28	İzmir	Boro Cıvata	1203/2. Sok. No: 21/B Gıda Çarşısı Yenisehir	0232 469 80 70
29	İzmir	Çetin Bobinaj	Cüneyt Bey Mah. İbrahim Turan Cad. No: 98/A Menderes	0232 782 10 84
30	İzmir	Doruk Hırdavat	1426 Sok. No: 14 Hurdacılar Sit. Doğanlar/Bornova	0232 478 14 12
31	Kastamonu	Mert Bobinaj	San. Çarşısı 4. Blok No: 35	0366 212 38 89
32	Kayseri	Akın Elektrik Bobinaj	Eski San. Böl. 5. Cad. No: 8	0352 336 41 23
33	Kocaeli	Gülsoy Bobinaj Makina	S.Orhan Mah. İlyasbey Cad. 1111 Sok. No: 5/1 Gebze	0262 646 92 49
34	Gebze	Teknik Karot	Gaziler Mah. İbrahimaga Cad. No: 125	0262 642 79 10
35	Malatya	Özer Bobinaj	Yeni San. Sit. 2. Cad. No: 95	0422 336 39 53
36	Muğla	Bodrum Makina	Türkkuyusu Mah. San. Sit. Ethem Demiröz Sok. No: 8	0252 316 28 51
37	Muğla	General Elektrik Bobinaj	Taşyaka Mah. San. Sit. 260. Sok. No: 18 Fethiye	0252 612 38 34
38	Muğla	Öztürk Bobinaj İnşaat	Atakent Mah. Çevreyolu Üzeri	0252 697 64 98
39	Nevşehir	Çiftgüç	Yeni San. Sit. 8 Blok No: 28	0384 213 19 96
40	Niğde	Emek Motor	Eski San. Çarşısı 1. BL. No: 2 Niğde	0388 232 83 59
41	Adapazarı	Engin Elektrik Bobinaj	Maltepe Mah. Orhan Gazi Cad. (Tek Yokuşu) Şehit Metin Akkuş Sok. No: 19	0264 291 05 67
42	Sivas	Bayraktar Elektrik	Yeni Çarşı No: 72 C	0346 221 47 55
43	Tekirdağ	Birkan	Şeyh Sinan Mah. Ş. Pilot İhsan Aksoy Sok. Aksoy Pasajı No: 20/7-B	0282 654 50 91
44	Tokat	Çetin Elektrik Bobinaj	San. Sit. Cami Altı No: 22	0356 214 63 07
45	Uşak	Zengin Bobinaj	İslıce Mah. Ürem Sok. No: 10/C	0276 227 27 46
46	Van	Özen Elektrik Bobinaj	Alçekiç Pasajı No: 41	0432 214 22 20
47	Zonguldak	Genel Elektromotor	Çınarstepe Mah. T.T.K 69 Ambarları 4. Kısım	0372 268 08 64
48	Zonguldak	Tümen Bobinaj	Kışla San. Sit. D Blok No: 17 Kdz. Ereğli	0372 323 74 97
49	Yalova	Kale İnşaat	Hürriyet Mah. Eski Bursa Cad. No: 39 Altınova	0226 461 22 43
50	Düzce	Yıldız Makina	Burhaniye Mah. Gen. Kazım Sok. No: 10	0380 514 70 56

