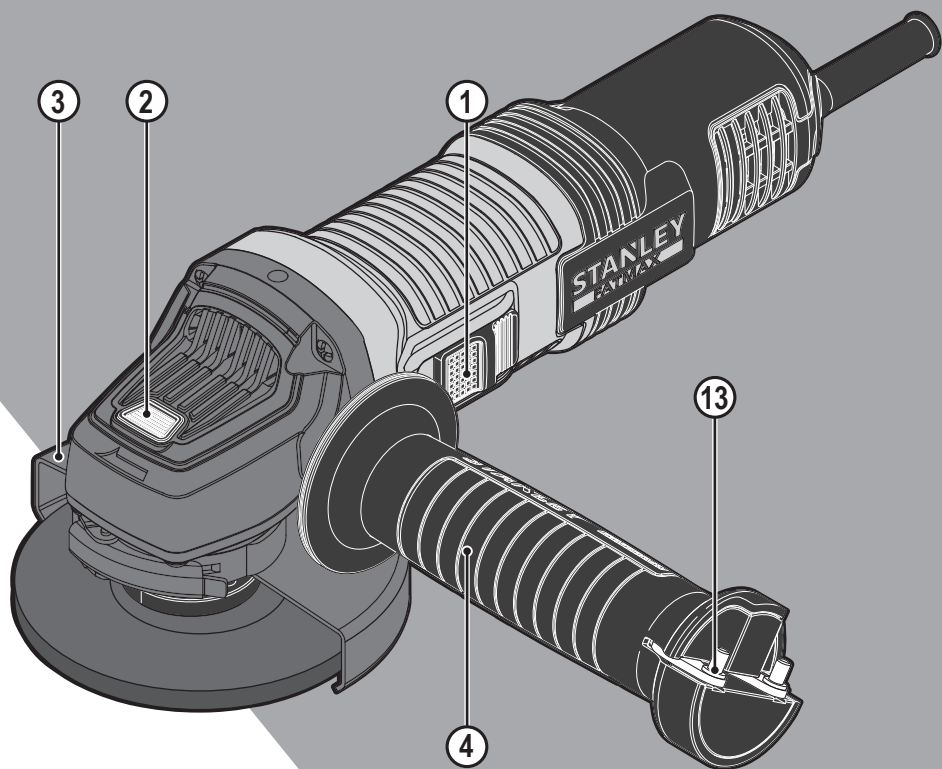


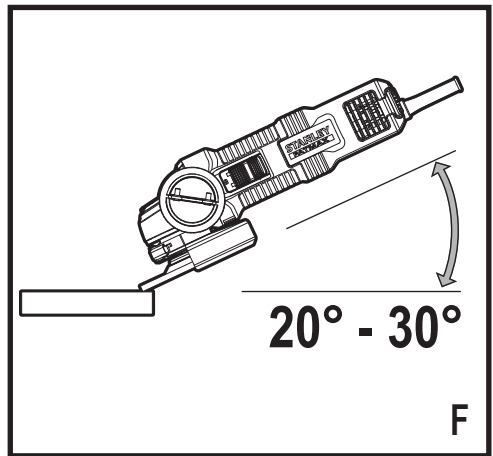
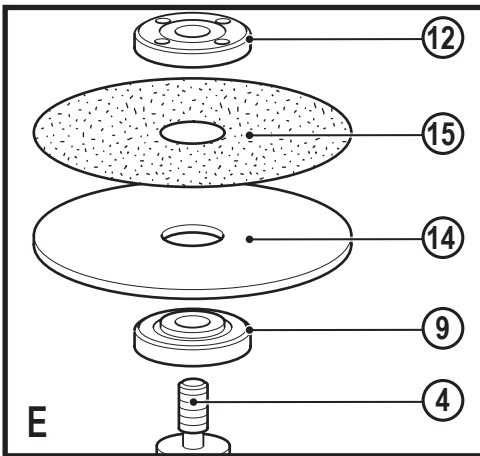
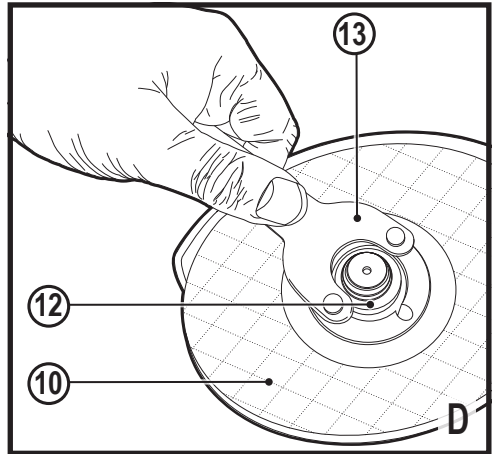
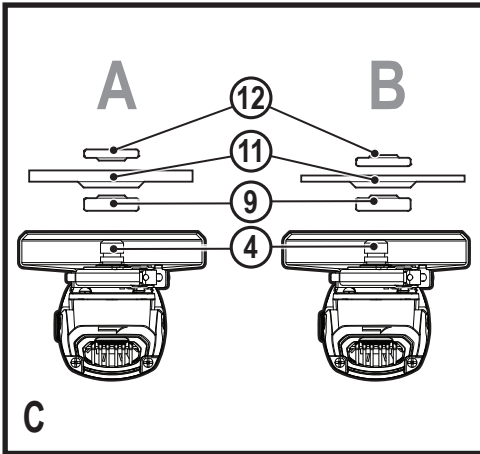
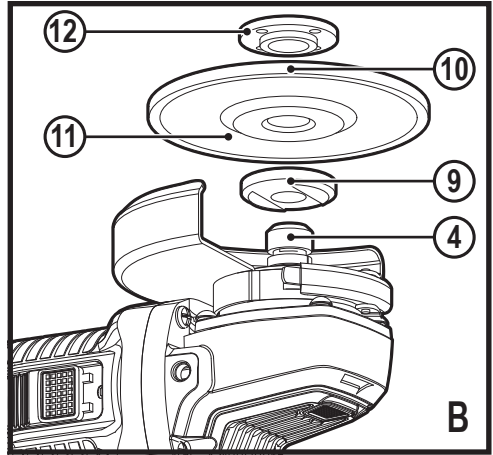
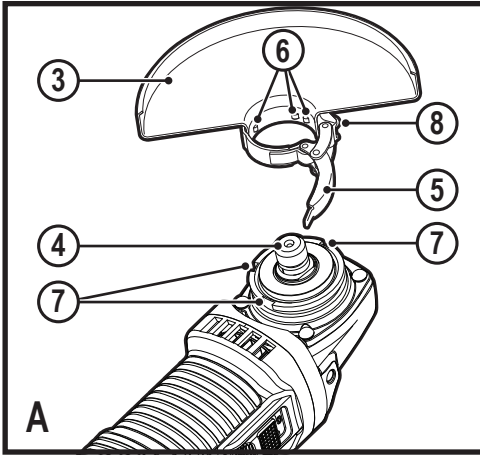
STANLEY®

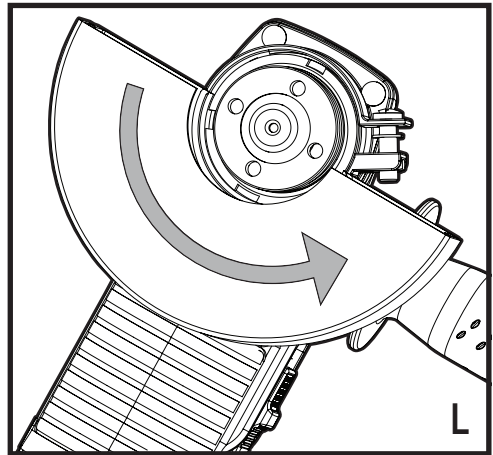
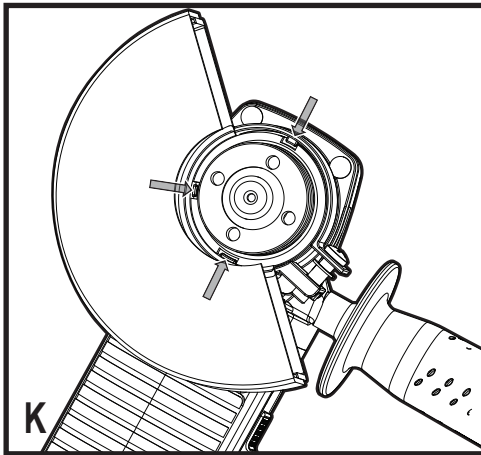
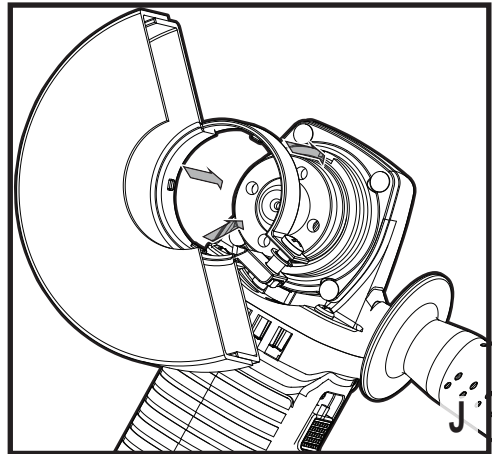
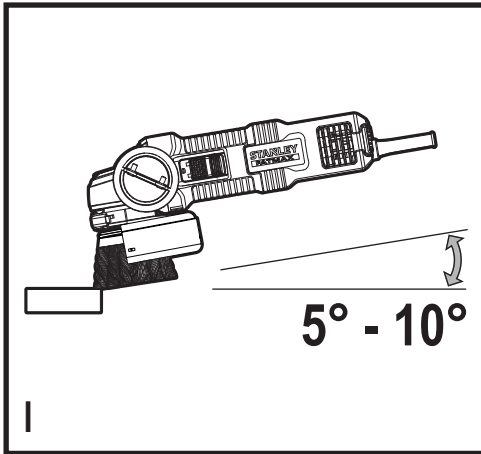
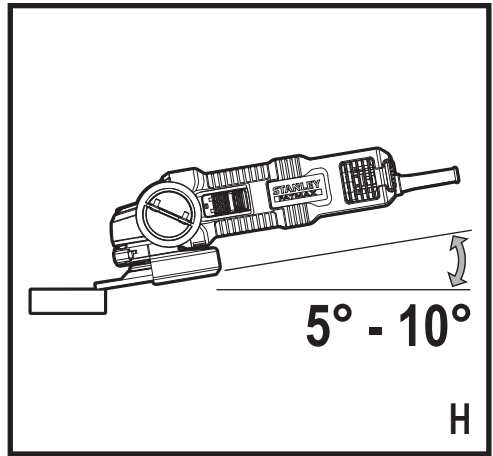
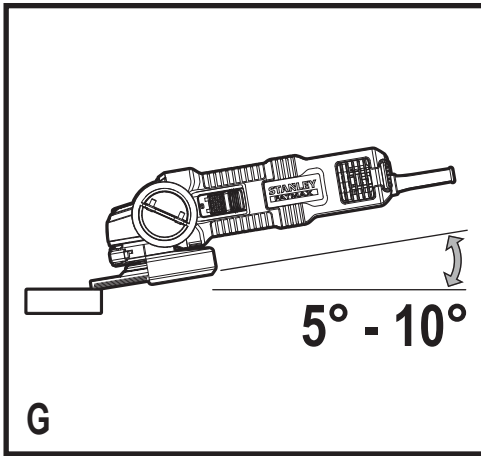
FATMAX®



www.stanley.eu

KFFMEG220





Intended use

Your Stanley Fat Max KFFMEG220 angle grinders have been designed for grinding and cutting metal and masonry using the appropriate type of cutting or grinding disc. When fitted with the appropriate guard, These tools are intended for professional and private, non professional users.

Safety instructions

General power tool safety warnings



Warning! Read all safety warnings and all instructions. Failure to follow the warnings and instructions listed below may result in electric shock, fire and/or serious injury.

Save all warnings and instructions for future reference.

The term "power tool" in all of the warnings listed below refers to your mains operated (corded) power tool or battery operated (cordless) power tool.

1. Work area safety

- a. **Keep work area clean and well lit.** Cluttered or dark areas invite accidents.
- b. **Do not operate power tools in explosive atmospheres, such as in the presence of flammable liquids, gases or dust.** Power tools create sparks which may ignite the dust or fumes.
- c. **Keep children and bystanders away while operating a power tool.** Distractions can cause you to lose control.

2. Electrical safety

- a. **Power tool plugs must match the outlet. Never modify the plug in any way. Do not use any adapter plugs with earthed (grounded) power tools.** Unmodified plugs and matching outlets will reduce risk of electric shock.
- b. **Avoid body contact with earthed or grounded surfaces such as pipes, radiators, ranges and refrigerators.** There is an increased risk of electric shock if your body is earthed or grounded.
- c. **Do not expose power tools to rain or wet conditions.** Water entering a power tool will increase the risk of electric shock.
- d. **Do not abuse the cord. Never use the cord for carrying, pulling or unplugging the power tool. Keep cord away from heat, oil, sharp edges or moving parts.** Damaged or entangled cords increase the risk of electric shock.
- e. **When operating a power tool outdoors, use an extension cord suitable for outdoor use.** Use of a cord suitable for outdoor use reduces the risk of electric shock.

- f. **If operating a power tool in a damp location is unavoidable, use a residual current device (RCD) protected supply.** Use of an RCD reduces the risk of electric shock.
3. **Personal safety**
 - a. **Stay alert, watch what you are doing and use common sense when operating a power tool. Do not use a power tool while you are tired or under the influence of drugs, alcohol or medication.** A moment of inattention while operating power tools may result in serious personal injury.
 - b. **Use personal protective equipment. Always wear eye protection.** Protective equipment such as dust mask, non-skid safety shoes, hard hat, or hearing protection used for appropriate conditions will reduce personal injuries.
 - c. **Prevent unintentional starting. Ensure the switch is in the off-position before connecting to power source and/or battery pack, picking up or carrying the tool.** Carrying power tools with your finger on the switch or energising power tools that have the switch on invites accidents.
 - d. **Remove any adjusting key or wrench before turning the power tool on.** A wrench or a key left attached to a rotating part of the power tool may result in personal injury.
 - e. **Do not overreach. Keep proper footing and balance at all times.** This enables better control of the power tool in unexpected situations.
 - f. **Dress properly. Do not wear loose clothing or jewellery. Keep your hair, clothing and gloves away from moving parts.** Loose clothes, jewellery or long hair can be caught in moving parts.
 - g. **If devices are provided for the connection of dust extraction and collection facilities, ensure these are connected and properly used.** Use of dust collection can reduce dust-related hazards.
4. **Power tool use and care**
 - a. **Do not force the power tool. Use the correct power tool for your application.** The correct power tool will do the job better and safer at the rate for which it was designed.
 - b. **Do not use the power tool if the switch does not turn it on and off.** Any power tool that cannot be controlled with the switch is dangerous and must be repaired.
 - c. **Disconnect the plug from the power source and/or the battery pack from the power tool before making any adjustments, changing accessories, or storing power tools.** Such preventive safety measures reduce the risk of starting the power tool accidentally.

- d. Store idle power tools out of the reach of children and do not allow persons unfamiliar with the power tool or these instructions to operate the power tool. Power tools are dangerous in the hands of untrained users.
 - e. **Maintain power tools. Check for misalignment or binding of moving parts, breakage of parts and any other condition that may affect the power tools operation. If damaged, have the power tool repaired before use.** Many accidents are caused by poorly maintained power tools.
 - f. **Keep cutting tools sharp and clean.** Properly maintained cutting tools with sharp cutting edges are less likely to bind and are easier to control.
 - g. **Use the power tool, accessories and tool bits etc. in accordance with these instructions, taking into account the working conditions and the work to be performed.** Use of the power tool for operations different from those intended could result in a hazardous situation.
5. Service
- a. **Have your power tool serviced by a qualified repair person using only identical replacement parts.** This will ensure that the safety of the power tool is maintained.

Additional power tool safety warnings



Warning! Additional safety warnings Common for Grinding, Sanding, Wire Brushing, Polishing or Abrasive Cutting-Off Operations:

- ◆ **This power tool is intended to function as a grinder, sander, wire brush, polisher or cut-off tool. Read all safety warnings, instructions, illustrations and specifications provided with this power tool.** Failure to follow all instructions listed below may result in electric shock, fire and/or serious injury.
 - u Operations such as polishing or cutting-off are not recommended to be performed with this power tool. Operations for which the power tool was not designed may create a hazard and cause personal injury.
 - ◆ **Do not use accessories which are not specifically designed and recommended by the tool manufacturer.** Just because the accessory can be attached to your power tool, it does not assure safe operation.
 - ◆ **The rated speed of the accessory must be at least equal to the maximum speed marked on the power tool.** Accessories running faster than their rated speed can break and fly apart.
 - ◆ **The outside diameter and the thickness of your accessory must be within the capacity rating of your power tool.** Incorrectly sized accessories cannot be adequately guarded or controlled.
 - ◆ **Threaded mounting of accessories must match the grinder spindle thread.**
- For accessories mounted by flanges, the arbour hole of the accessory must fit the locating diameter of the flange. Accessories that do not match the mounting hardware of the power tool will run out of balance, vibrate excessively and may cause loss of control.
- ◆ **Do not use a damaged accessory. Before each use inspect the accessory such as abrasive wheels for chips and cracks, backing pad for cracks, tear or excess wear, wire brush for loose or cracked wires. If power tool or accessory is dropped, inspect for damage or install an undamaged accessory. After inspecting and installing an accessory and run the power tool at maximum no-load speed for one minute.** Damaged accessories will normally break apart during this test time.
 - ◆ **Wear personal protective equipment. Depending on application, use face shield, safety goggles or safety glasses. As appropriate, wear dust mask, hearing protectors, gloves and workshop apron capable of stopping small abrasive or workpiece fragments.** The eye protection must be capable of stopping flying debris generated by various operations. The dust mask or respirator must be capable of filtering particles generated by your operation. Prolonged exposure to high intensity noise may cause hearing loss.
 - ◆ **Keep bystanders a safe distance away from work area. Anyone entering the work area must wear personal protective equipment.** Fragments of workpiece or of a broken accessory may fly away and cause injury beyond immediate area of operation.
 - ◆ **Hold power tool by insulated gripping surfaces only, when performing an operation where the cutting accessory may contact hidden wiring or its own cord.** Cutting accessory contacting a "live" wire may make exposed metal parts of the power tool "live" and give the operator an electric shock.
 - ◆ **Use clamps or another practical way to secure and support the workpiece to a stable platform.** Holding the work by hand or against your body leaves it unstable and may lead to loss of control.
 - ◆ **Position the cord clear of the spinning accessory.** If you lose control, the cord may be cut or snagged and your hand or arm may be pulled into the spinning accessory.
 - ◆ **Never lay the power tool down until the accessory has come to a complete stop.** The spinning accessory may grab the surface and pull the power tool out of your control.
 - ◆ **Do not run the power tool while carrying it at your side.** Accidental contact with the spinning accessory could snag your clothing, pulling the accessory into your body.

- ◆ **Regularly clean the power tool's air vents.** The motor's fan will draw the dust inside the housing and excessive accumulation of powdered metal may cause electrical hazards.
- ◆ **Do not operate the power tool near flammable materials.** Sparks could ignite these materials.
- ◆ **Do not use accessories that require liquid coolants.** Using water or other liquid coolants may result in electrocution or shock.

Note: The above warning does not apply for power tools specifically designed for use with a liquid system.

Kickback and related warnings

Kickback is a sudden reaction to a pinched or snagged rotating wheel, backing pad, brush or any other accessory. Pinching or snagging causes rapid stalling of the rotating accessory which in turn causes the uncontrolled power tool to be forced in the direction opposite of the accessory's rotation at the point of the binding.

For example, if an abrasive wheel is snagged or pinched by the workpiece, the edge of the wheel that is entering into the pinch point can dig into the surface of the material causing the wheel to climb out or kick out. The wheel may either jump toward or away from the operator, depending on direction of the wheel's movement at the point of pinching. Abrasive wheels may also break under these conditions.

Kickback is the result of power tool misuse and/or incorrect operating procedures or conditions and can be avoided by taking proper precautions as given below.

- ◆ **Maintain a firm grip on the power tool and position your body and arm to allow you to resist kickback forces.**
Always use auxiliary handle, if provided, for maximum control over kickback or torque reaction during start-up. The operator can control torque reactions or kickback forces, if proper precautions are taken.
- ◆ **Never place your hand near the rotating accessory.** Accessory may kickback over your hand.
- ◆ **Do not position your body in the area where power tool will move if kickback occurs.** Kickback will propel the tool in direction opposite to the wheel's movement at the point of snagging.
- ◆ **Use special care when working corners, sharp edges etc. Avoid bouncing and snagging the accessory.** Corners, sharp edges or bouncing have a tendency to snag the rotating accessory and cause loss of control or kickback.
- ◆ **Do not attach a saw chain woodcarving blade or toothed saw blade.** Such blades create frequent kickback and loss of control.

Safety warnings specific for grinding and abrasive cutting-off operations

- ◆ **Use only wheel types that are recommended for your power tool and the specific guard designed for the selected wheel.** Wheels for which the power tool was not designed cannot be adequately guarded and are unsafe.
- ◆ **The grinding surface of centre depressed wheels must be mounted below the plane of the guard lip.** An improperly mounted wheel that projects through the plane of the guard lip cannot be adequately protected.
- ◆ **The guard must be securely attached to the power tool and positioned for maximum safety, so the least amount of wheel is exposed towards the operator.** The guard helps to protect the operator from broken wheel fragments, accidental contact with wheel and sparks that could ignite clothing.
- ◆ **Wheels must be used only for recommended applications. For example: do not grind with the side of cut-off wheel.** Abrasive cut-off wheels are intended for peripheral grinding, side forces applied to these wheels may cause them to shatter.
- ◆ **Always use undamaged wheel flanges that are of correct size and shape for your selected wheel.** Proper wheel flanges support the wheel thus reducing the possibility of wheel breakage. Flanges for cut-off wheels may be different from grinding wheel flanges.
- ◆ **Do not use worn down wheels from larger power tools.** Wheel intended for larger power tool is not suitable for the higher speed of a smaller tool and may burst.

Additional safety warnings specific for abrasive cutting-off operations

- ◆ **Do not "jam" the cut-off wheel or apply excessive pressure. Do not attempt to make an excessive depth of cut.** Over stressing the wheel increases the loading and susceptibility to twisting or binding of the wheel in the cut and the possibility of kickback or wheel breakage.
- ◆ **Do not position your body in line with and behind the rotating wheel.** When the wheel, at the point of operation, is moving away from your body, the possible kickback may propel the spinning wheel and the power tool directly at you.
- ◆ **When wheel is binding or when interrupting a cut for any reason, switch off the power tool and hold the power tool motionless until the wheel comes to a complete stop. Never attempt to remove the cut-off wheel from the cut while the wheel is in motion otherwise kickback may occur.** Investigate and take corrective action to eliminate the cause of wheel binding.
- ◆ **Do not restart the cutting operation in the workpiece. Let the wheel reach full speed and carefully re-enter the cut.**

The wheel may bind, walk up or kickback if the power tool is restarted in the workpiece.

- ◆ **Support panels or any oversized workpiece to minimize the risk of wheel pinching and kickback.** Large workpieces tend to sag under their own weight. Supports must be placed under the workpiece near the line of cut and near the edge of the workpiece on both sides of the wheel.
- ◆ **Use extra caution when making a "pocket cut" into existing walls or other blind areas.** The protruding wheel may cut gas or water pipes, electrical wiring or objects that can cause kickback.

Safety warnings specific for sanding operations

- ◆ **Do not use excessively oversized sanding disc paper. Follow manufacturers recommendations, when selecting sanding paper.** Larger sanding paper extending beyond the sanding pad presents a laceration hazard and may cause snagging, tearing of the disc or kickback.

Safety warnings specific for wire brushing operations

- ◆ **Be aware that wire bristles are thrown by the brush even during ordinary operation. Do not overstress the wires by applying excessive load to the brush.** The wire bristles can easily penetrate light clothing and/or skin.
- ◆ **If the use of a guard is recommended for wire brushing, do not allow any interference of the wire wheel or brush with the guard.** Wire wheel or brush may expand in diameter due to work load and centrifugal forces.

Safety of others

- ◆ This appliance is not intended for use by persons (including children) with reduced physical, sensory or mental capabilities, or lack of experience and knowledge, unless they have been given supervision or instruction concerning use of the appliance by a person responsible for their safety.
- ◆ Children should be supervised to ensure that they do not play with the appliance.

Residual risks.

Additional residual risks may arise when using the tool which may not be included in the enclosed safety warnings.

These risks can arise from misuse, prolonged use etc.

Even with the application of the relevant safety regulations and the implementation of safety devices, certain residual risks can not be avoided. These include:

- ◆ Injuries caused by touching any rotating/moving parts.
- ◆ Injuries caused when changing any parts, blades or accessories.

- ◆ Injuries caused by prolonged use of a tool. When using any tool for prolonged periods ensure you take regular breaks.
- ◆ Impairment of hearing.
- ◆ Health hazards caused by breathing dust developed when using your tool (example:- working with wood, especially oak, beech and MDF.)

Vibration

The declared vibration emission values stated in the technical data and the declaration of conformity have been measured in accordance with a standard test method provided by EN 60745 and may be used for comparing one tool with another. The declared vibration emission value may also be used in a preliminary assessment of exposure.

Warning! The vibration emission value during actual use of the power tool can differ from the declared value depending on the ways in which the tool is used. The vibration level may increase above the level stated.

When assessing vibration exposure to determine safety measures required by 2002/44/EC to protect persons regularly using power tools in employment, an estimation of vibration exposure should consider, the actual conditions of use and the way the tool is used, including taking account of all parts of the operating cycle such as the times when the tool is switched off and when it is running idle in addition to the trigger time.

Labels on tool

The following pictograms, along with the date code, are shown on the tool:



Warning! To reduce the risk of injury, the user must read the instruction manual.



Wear safety glasses or goggles when operating this tool.



Wear ear protection when operating this tool

Electrical safety



Your charger is double insulated; therefore no earth wire is required. Always check that the mains voltage corresponds to the voltage on the rating plate.

- ◆ If the supply cord is damaged, it must be replaced by the manufacturer or an authorised Stanley Fat Max Service Centre in order to avoid a hazard.

Voltage drops

Inrush currents cause short-time voltage drops. Under unfavourable power supply conditions, other equipment may be affected.

If the system impedance of the power supply is lower than 0.107 Ω , disturbances are unlikely to occur

Features

This tool includes some or all of the following features.

1. On/off switch
2. Spindle lock
3. Guard
4. Side handle

Assembly

Warning! Before assembly, make sure that the tool is switched off and unplugged.

Fitting and removing the guard (fig. A)

The tool is supplied with a guard intended for grinding purposes only (type 27). If the unit is intended to perform cutting off operations, a guard specific for this operation (type 41) must be fitted. A suitable guard part numbers N551980 (for 115mm cutting wheel) and N542445 (for 125mm cutting wheel) are available and can be obtained from Stanley Fat

Max service centres. **Fitting**

- ◆ Place the tool on a table, with the spindle (4) facing up.
- ◆ Release the clamping lock (5) and hold the guard (3) over the tool as shown.
- ◆ Align the lugs (6) with the notches (7).
- ◆ Press the guard down and rotate it counterclockwise to the required position.
- ◆ Fasten the clamping lock (5) to secure the guard to the tool.
- ◆ If required, tighten the screw (8) to increase the clamping force.

Removing

- ◆ Release the clamping lock (5).
- ◆ Rotate the guard clockwise to align the lugs (6) with the notches (7).
- ◆ Remove the guard from the tool.

Warning! Never use the tool without the guard.

Fitting the side handle

- ◆ Screw the side handle (4) into one of the mounting holes in the tool.

Warning! Always use the side handle.

Fitting and removing grinding discs (fig. B - D)

Always use the correct type of disc for your application.

Always use discs with the correct diameter and bore size (see technical data).

Fitting

- ◆ Fit the guard as described above.
- ◆ Place the inner flange (9) onto the spindle (4) as shown (fig. B). Make sure that the flange is correctly located on the flat sides of the spindle.
- ◆ Place the disc (10) onto the spindle (4) as shown (fig. B). If the disc has a raised centre (11), make sure that the raised centre faces the inner flange.
- ◆ Make sure that the disc locates correctly on the inner flange.
- ◆ Place the outer flange (12) onto the spindle. When fitting a grinding disc, the raised centre on the outer flange must face towards the disc (A in fig. C). When fitting a cutting disc, the raised centre on the outer flange must face away from the disc (B in fig. C).
- ◆ Keep the spindle lock (2) depressed and tighten the outer flange using the two-pin spanner (13) (fig. D).

Removing

- ◆ Keep the spindle lock (2) depressed and loosen the outer flange (12) using the two-pin spanner (13) (fig. D).
- ◆ Remove the outer flange (12) and the disc (10).

Surface grinding with grinding discs

- ◆ Allow the tool to reach full speed before touching the tool to the work surface.
- ◆ Apply minimum pressure to the work surface, allowing the tool to operate at high speed. Grinding rate is greatest when the tool operates at high speed.
- ◆ Maintain a 20° to 30° angle between the tool and work surface as shown in figure F.
- ◆ Continuously move the tool in a forward and back motion to avoid creating gouges in the work surface.
- ◆ Remove the tool from work surface before turning tool off. Allow the tool to stop rotating before laying it down.

Edge grinding with grinding discs

Wheels used for cutting and edge grinding may break or kick back if they bend or twist while the tool is being used to do cutoff work or deep grinding. Edge grinding/ cutting with a Type 27 wheel must be limited to shallow cutting and notching, less than 13 mm in depth when the wheel is new. Reduce the depth of cutting/notching equal to the reduction of the wheel radius as it wears down. Refer to the 'Grinding and cutting accessory chart' at the end of this manual for more information. Edge grinding/cutting with a Type 41 wheel requires usage of a Type 41 guard.

- ◆ Allow the tool to reach full speed before touching the tool to the work surface.

- ◆ Apply minimum pressure to the work surface, allowing the tool to operate at high speed. Grinding rate is greatest when the tool operates at high speed.
- ◆ Position yourself so that the openunderside of the wheel is facing away from you.
- ◆ Once a cut is begun and a notch is established in the workpiece, do not change the angle of the cut. Changing the angle will cause the wheel to bend and may cause wheel breakage. Edge grinding wheels are not designed to withstand side pressures caused by bending.
- ◆ Remove the tool from the work surface before turning the tool off. Allow the tool to stop rotating before laying it down.

Warning! Do not use edge grinding/cutting wheels for surface grinding applications if the wheel label has forbidden such use because these wheels are not designed for side pressures encountered with surface grinding. Wheel breakage and serious personal injury may result.

Fitting and removing sanding discs (fig. D & E)

For sanding, a backing pad is required. The backing pad is available from your Stanley Fat Max dealer as an accessory.

Fitting

- ◆ Place the inner flange (9) onto the spindle (4) as shown (fig. E). Make sure that the flange is correctly located on the flat sides of the spindle.
- ◆ Place the backing pad (14) onto the spindle.
- ◆ Place the sanding disc (15) onto the backing pad.
- ◆ Place the outer flange (12) onto the spindle with the raised centre facing away from the disc.
- ◆ Keep the spindle lock (2) depressed and tighten the outer flange using the two-pin spanner (13) (fig. D).
Make sure that the outer flange is fitted correctly and that the disc is clamped tightly.

Removing

- ◆ Keep the spindle lock (2) depressed and loosen the outer flange (12) using the two-pin spanner (13) (fig. D).
- ◆ Remove the outer flange (12), the sanding disc (15) and the backing pad (14).

Surface finishing with sanding discs

- ◆ Allow the tool to reach full speed before touching the tool to the work surface.
- ◆ Apply minimum pressure to work surface, allowing the tool to operate at high speed. Sanding rate is greatest when the tool operates at high speed.
- ◆ Maintain a 5° to 10° angle between the tool and work surface as shown in figure G.
- ◆ Continuously move the tool in a forward and back motion to avoid creating gouges in the work surface.

- ◆ Remove the tool from work surface before turning tool off. Allow the tool to stop rotating before laying it down.

Using sanding backing pads

Always choose the proper grit sanding discs for your application. Sanding discs are available in various grits. Coarse grits yield faster material removal rates and a rougher finish. Finer grits yield slower material removal and a smoother finish. Begin with coarse grit discs for fast, rough material removal. Move to a medium grit paper and finish with a fine grit disc for optimal finish.

- ◆ Coarse = 16 - 30 grit.
- ◆ Medium = 36 - 80 grit.
- ◆ Fine Finishing = 100 - 120 grit.
- ◆ Very Fine Finishing = 150 - 180 grit.
- ◆ Allow the tool to reach full speed before touching tool to the work surface.
- ◆ Apply minimum pressure to work surface, allowing the tool to operate at high speed. Sanding rate is greatest when the tool operates at high speed.
- ◆ Maintain a 5° to 10° angle between the tool and work surface as shown in figure H. The sanding disc should contact approximately 25mm of work surface.
- ◆ Move the tool constantly in a straight line to prevent burning and swirling of work surface. Allowing the tool to rest on the work surface without moving, or moving the tool in a circular motion causes burning and swirling marks on the work surface.
- ◆ Remove the tool from work surface before turning tool off. Allow the tool to stop rotating before laying it down.

Precautions to take when sanding paint

- ◆ Sanding of lead based paint is **NOT RECOMMENDED** due to the difficulty of controlling the contaminated dust. The greatest danger of lead poisoning is to children and pregnant women.
- ◆ Since it is difficult to identify whether or not a paint contains lead without a chemical analysis, we recommend the following precautions when sanding any paint:
 - ◆ No children or pregnant women should enter the work area where the paint sanding is being done until all clean up is completed.
 - ◆ A dust mask or respirator should be worn by all persons entering the work area. The filter should be replaced daily or whenever the wearer has difficulty breathing.

Note: Only those dust masks suitable for working with lead paint dust and fumes should be used. Ordinary painting masks do not offer this protection. See your local hardware dealer for the proper approved mask.

- ◆ NO EATING, DRINKING or SMOKING should be done in the work area to prevent ingesting contaminated paint particles. Workers should wash and clean up BEFORE eating, drinking or smoking. Articles of food, drink, or smoking should not be left in the work area where dust would settle on them.
- ◆ Paint should be removed in such a manner as to minimize the amount of dust generated.
- ◆ Areas where paint removal is occurring should be sealed with plastic sheeting of 4 mils thickness.
- ◆ Sanding should be done in a manner to reduce tracking of paint dust outside the work area.
- ◆ All surfaces in the work area should be vacuumed and thoroughly cleaned daily for the duration of the sanding project. Vacuum filter bags should be changed frequently.
- ◆ Plastic drop cloths should be gathered up and disposed of along with any dust chips or other removal debris. They should be placed in sealed refuse receptacles and disposed of through regular trash pick-up procedures. During clean up, children and pregnant women should be kept away from the immediate work area.
- ◆ All toys, washable furniture and utensils used by children should be washed thoroughly before being used again.

Fitting and using wire brushes and wire wheels

Wire cup brushes or wire wheels screw directly on the grinder spindle without the use of flanges. b. A Type 27 guard is required when using wire brushes and wheels. Wear work gloves when handling wire brushes and wheels. They can become sharp. Wheel or brush must not touch guard when mounted or while in use. Undetectable damage could occur to the accessory, causing wires to fragment from accessory wheel or cup.

- ◆ Thread the wheel on the spindle by hand.
- ◆ Depress spindle lock button and use a wrench on the hub of the wire wheel or brush to tighten the wheel.
- ◆ To remove the wheel, reverse the above procedure.

Warning! Failure to properly seat the wheel hub before turning the tool on may result in damage to tool or wheel.

Wire wheels and brushes can be used for removing rust, scale and paint, and for smoothing irregular surfaces.

Note: The same precautions should be taken when wire brushing paint as when sanding paint.

- ◆ Allow the tool to reach full speed before touching the tool to the work surface.
- ◆ Apply minimum pressure to work surface, allowing the tool to operate at high speed. Material removal rate is greatest when the tool operates at high speed.
- ◆ Maintain a 5° to 10° angle between the tool and work surface for wire cup brushes as shown in figure I.

- ◆ Maintain contact between the edge of the wheel and the work surface with wire wheels.
- ◆ Continuously move the tool in a forward and back motion to avoid creating gouges in the work surface. Allowing the tool to rest on the work surface without moving, or moving the tool in a circular motion causes burning and swirling marks on the work surface.
- ◆ Remove the tool from the work surface before turning the tool off. Allow the tool to stop rotating before setting it down.

Warning! Use extra care when working over an edge, as a sudden sharp movement of grinder may be experienced.

Mounting and using cutting (type 41) wheels

Cutting wheels include diamond wheels and abrasive discs. Abrasive cutting wheels for metal and concrete use are available. Diamond blades for concrete cutting can also be used.

NOTE: A closed, 2-sided Type 41 cutting wheel guard is sold separately and is required when using cutting wheels. Failure to use proper flange and guard can result in injury resulting from wheel breakage and wheel contact. Matching diameter backing flange and threaded clamp nut (included with tool) must be used for cutting wheels.

Mounting closed (type 41) guard (Fig. J, K, L)

- ◆ Align the three lugs on the guard (7) with the three slots on the hub. This will align the lugs with slots on the gear case cover as shown in figure J.
- ◆ Push the guard down until the guard lug engages in the groove on the gear case hub as shown in figure K.
- ◆ Rotate guard (7) counterclockwise to lock it into place. The guard body should be positioned between the spindle and the operator to provide maximum operator protection as shown in figure L.
- ◆ Tighten the guard latch screw to secure the guard on the gear case cover. You should be unable to rotate the guard by hand. Do not operate grinder with a loose guard.
- ◆ To remove the guard, loosen the guard latch screw. Then rotate the guard so that the three lugs on the guard (7) align with the three slots on the hub and pull up on the guard.

Mounting cutting wheels

- ◆ Place the unthreaded backing flange on spindle with the raised section (pilot) facing up. The raised section (pilot) on the backing flange will be against the wheel when the wheel is installed.
- ◆ Place the wheel on the backing flange, centering the wheel on the raised section (pilot).
- ◆ Install the threaded clamp nut with the raised section (pilot) facing away from the wheel.

- ◆ Depress the spindle lock button and tighten clamp nut with included wrench.
- ◆ To remove the wheel, depress the spindle lock button and loosen the threaded clamp nut with included wrench.

Warning! Do not use edge grinding/cutting wheels for surface grinding applications because these wheels are not designed for side pressures encountered with surface grinding. Wheel breakage and injury may result.

- ◆ Allow tool to reach full speed before touching tool to work surface.
- ◆ Apply minimum pressure to work surface, allowing tool to operate at high speed. Cutting rate is greatest when the tool operates at high speed.
- ◆ Once a cut is begun and a notch is established in the workpiece, do not change the angle of the cut. Changing the angle will cause the wheel to bend and may cause wheel breakage.
- ◆ Remove the tool from work surface before turning tool off. Allow the tool to stop rotating before setting it down.

Use

Warning! Let the tool work at its own pace. Do not overload.

- ◆ Carefully guide the cable in order to avoid accidentally cutting it.
- ◆ Be prepared for a stream of sparks when the grinding or cutting disc touches the workpiece.
- ◆ Always position the tool in such a way that the guard provides optimum protection from the grinding or cutting disc.

Switching on and off

- ◆ To switch the tool on, press the on/off switch (1).
- ◆ To switch the tool off, release the on/off switch (1).

Warning! Do not switch the tool off while under load.

Hints for optimum use

- ◆ **Firmly hold the tool with one hand around the side handle and the other hand around the main handle.**
- ◆ When grinding, always maintain an angle of approx. 15° between the disc and the workpiece surface.

Maintenance

Your Stanley Fat Max corded/cordless appliance/tool has been designed to operate over a long period of time with a minimum of maintenance. Continuous satisfactory operation depends upon proper tool care and regular cleaning.

Warning! Before performing any maintenance on corded/cordless power tools:

- ◆ Switch off and unplug the appliance/tool.
- ◆ Or switch off and remove the battery from the appliance/tool if the appliance/tool has a separate battery pack.
- ◆ Or run the battery down completely if it is integral and then switch off.
- ◆ Unplug the charger before cleaning it. Your charger does not require any maintenance apart from regular cleaning.
- ◆ Regularly clean the ventilation slots in your appliance/tool/charger using a soft brush or dry cloth.
- ◆ Regularly clean the motor housing using a damp cloth. Do not use any abrasive or solvent-based cleaner.
- ◆ Regularly open the chuck and tap it to remove any dust from the interior (when fitted).

Mains plug replacement (U.K. & Ireland only)

If a new mains plug needs to be fitted:

- ◆ Safely dispose of the old plug.
- ◆ Connect the brown lead to the live terminal in the new plug.
- ◆ Connect the blue lead to the neutral terminal.

Warning! No connection is to be made to the earth terminal.





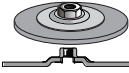







Follow the fitting instructions supplied with good quality plugs.

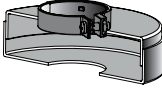
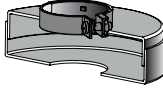













Recommended fuse: 13 A.

Troubleshooting

Problem	Possible cause	Possible solution
Unit will not start.	Cord not plugged in.	Plug tool into a working outlet.
	Cord or switch is damaged.	Have cord or switch replaced at a Stanley FatMax service center or authorized servicer.)

Grinding and cutting accessory chart

125mm Grinding Wheels	
 Type 27 guard	 Type 27 guard
 Unthreaded backing flange	
 Type 27 depressed center wheel	 Type 27 hubbed wheel
 Threaded clamp nut	
125mm Sanding Flap Discs	
 Type 27 guard	 Type 27 guard
 Hubbed sanding flap disc	 Unthreaded backing flange
	 non-hubbed sanding flap disc
	 Threaded clamp nut

125mm Type 41 Cutting Wheels	
 Type 41 guard	 Type 41 guard
 Backing flange	 Backing flange
 Abrasive cutting wheel	 Diamond cutting wheel
 Clamp nut	 Clamp nut
Wire Wheels	
 Type 27 guard	 Type 27 guard
 3 inch wire cup brush	 4 inch wire cup brush
Sanding Discs	
 Rubber backing pad	
 Sanding disc	
 Threaded clamp nut	

Protecting the environment



Separate collection. Products and batteries marked with this symbol must not be disposed of with normal household waste.

Products and batteries contain materials that can be recovered or recycled reducing the demand for raw materials. Please recycle electrical products and batteries according to local provisions. Further information is available at www.2helpU.com

Technical data

		KFFMEG220
Input voltage	V_{AC}	230
Power input	W	850
Rated speed	min^{-1}	12000
Disc bore	mm	22
Max disc thickness		
Grinding discs	mm	6
Cutting discs	mm	3.5
Spindle size		M14
Weight	Kg	1.9

Level of sound pressure according to EN 60745:

Sound pressure (L_{pA}) 96 dB(A), uncertainty (K) 3 dB(A)
acoustic power (L_{WA}) 107 dB(A), uncertainty (K) 3 dB(A)

Vibration total values (triax vector sum) according to EN 60745:

Surface grinding ($a_{h,SG}$) 5.4 m/s^2 , uncertainty (K) 1.5 m/s^2
Disc sanding ($a_{h,DS}$) 5.4 m/s^2 , uncertainty (K) 1.5 m/s^2

EC declaration of conformity

MACHINERY DIRECTIVE



KFFMEG220 Angle grinder

Stanley Europe declares that these products described under "technical data" are in compliance with:
2006/42/EC, EN 60745-1:2009 + A11:2010;
EN 60745-2-3:2011 + A2:2013 + A11:2014
+ A12:2014 + A13:2015

These products also comply with Directive 2014/30/EU and 2011/65/EU.

For more information, please contact Stanley Europe at the following address or refer to the back of the manual.

The undersigned is responsible for compilation of the technical file and makes this declaration on behalf of Stanley Europe.

Ray Laverick
Director of Engineering
Stanley Europe, Egide Walschaertsstraat14-18,
2800 Mechelen, Belgium
31/08/2017

Guarantee

Stanley Fat Max is confident of the quality of its products and offers consumers a 12 month guarantee from the date of purchase. This guarantee is in addition to and in no way prejudices your statutory rights. The guarantee is valid within the territories of the Member States of the European Union and the European Free Trade Area.

To claim on the guarantee, the claim must be in accordance with Stanley Fat Max Terms and Conditions and you will need to submit proof of purchase to the seller or an authorised repair agent. Terms and conditions of the Stanley Fat Max 1 year guarantee and the location of your nearest authorised repair agent can be obtained on the Internet at www.2helpU.com, or by contacting your local Stanley Fat Max office at the address indicated in this manual.

Please visit our website www.blackanddecker.co.uk to register your new Stanley Fat Max product and receive updates on new products and special offers

Verwendungszweck

Ihre Stanley FatMax Winkelschneider KFFMEG220 wurden zum Schleifen und Schneiden von Metall und Mauerwerk mit dem entsprechenden Typ von Schleif- oder Trennscheibe. Diese Werkzeuge sind für den professionellen und privaten Einsatz vorgesehen.

Sicherheitshinweise

Allgemeine Sicherheitswarnungen für das Gerät



Warnung! Lesen Sie alle Sicherheitswarnhinweise und alle Anweisungen. Die Nichteinhaltung der folgenden Warnungen und Anweisungen kann einen elektrischen Schlag, Brand und/oder schwere Verletzungen verursachen.

Bewahren Sie alle Sicherheitswarnungen und Anweisungen gut auf. Der nachfolgend verwendete Begriff "Gerät" bezieht sich auf netzbetriebene Geräte (mit Netzkabel) und auf akkubetriebene Geräte (ohne Netzkabel).

1. Sicherheit im Arbeitsbereich

- a. **Halten Sie Ihren Arbeitsbereich sauber und gut ausgeleuchtet.** Unaufgeräumte oder dunkle Bereiche begünstigen Unfälle.
- b. **Betreiben Sie das Gerät nicht in Umgebungen, in denen Explosionsgefahr z. B. aufgrund von brennbaren Flüssigkeiten, Gasen oder Staub besteht.** Geräte erzeugen Funken, die den Staub oder die Dämpfe entzünden können.
- c. **Halten Sie Kinder und andere Personen während der Benutzung eines Geräts fern.** Bei Ablenkung können Sie die Kontrolle verlieren.

2. Elektrische Sicherheit

- a. **Der Netzstecker des Geräts muss in die Steckdose passen. Ändern Sie niemals den Stecker in irgendeiner Form. Verwenden Sie keinerlei Adapterstecker an geerdeten Elektrogeräten.** Unveränderte Stecker und passende Steckdosen mindern die Gefahr eines elektrischen Schlages.
- b. **Vermeiden Sie Körperkontakt mit geerdeten Oberflächen von Rohren, Heizungen, Herden und Kühlschränken.** Es besteht eine erhöhte Gefahr für einen elektrischen Schlag, wenn Ihr Körper geerdet ist.
- c. **Halten Sie Geräte von Regen und Nässe fern.** Das Eindringen von Wasser in ein Gerät erhöht das Risiko eines elektrischen Schlags.
- d. **Verwenden Sie das Kabel ordnungsgemäß. Verwenden Sie es niemals zum Tragen. Trennen Sie das Gerät nicht durch Ziehen am Kabel vom Netz.**

Halten Sie das Kabel fern von Hitze, Öl, scharfen Kanten oder beweglichen Teilen. Beschädigte oder verhedderte Kabel erhöhen die Gefahr eines elektrischen Schlages.

- e. **Verwenden Sie nur für den Außenbereich zugelassene Verlängerungskabel, wenn Sie mit dem Gerät im Freien arbeiten.** Die Verwendung eines für den Außenbereich geeigneten Verlängerungskabels verringert das Risiko eines elektrischen Schlags.
- f. **Wenn das Gerät in einer feuchten Umgebung verwendet werden muss, schließen Sie es unbedingt an eine Steckdose mit Fehlerstromschutzschalter (FI-Schalter) an.** Ein Fehlerstromschutzschalter verringert das Risiko eines elektrischen Schlags.

3. Sicherheit von Personen

- a. **Seien Sie aufmerksam, achten Sie darauf, was Sie tun, und gehen Sie sachgerecht mit einem Gerät um. Benutzen Sie kein Gerät, wenn Sie müde sind oder unter dem Einfluss von Drogen, Alkohol oder Medikamenten stehen.** Ein Moment der Unachtsamkeit beim Betrieb eines Geräts kann zu schweren Verletzungen führen.
- b. **Verwenden Sie eine geeignete Schutzausrüstung. Tragen Sie immer einen Augenschutz.** Das Tragen persönlicher Schutzausrüstung, wie Staubmaske, rutschfeste Sicherheitsschuhe, Schutzhelm oder Gehörschutz, je nach Art und Einsatz des Geräts, verringert das Risiko von Verletzungen.
- c. **Vermeiden Sie eine unbeabsichtigte Inbetriebnahme. Vergewissern Sie sich, dass das Gerät ausgeschaltet ist, bevor Sie es an eine Steckdose oder einen Akku anschließen, es hochheben oder tragen.** Wenn Sie beim Tragen des Geräts den Finger am Schalter haben oder das Gerät eingeschaltet an die Stromversorgung anschließen, kann dies zu Unfällen führen.
- d. **Entfernen Sie Einstell- oder Schraubenschlüssel, bevor Sie das Gerät einschalten.** Werkzeuge oder Schlüssel, die an rotierenden Teilen des Geräts angebracht sind, können zu Verletzungen führen.
- e. **Beugen Sie sich nicht zu weit nach vorne. Sorgen Sie für einen sicheren Stand und halten Sie jederzeit das Gleichgewicht.** Dadurch können Sie das Gerät in unerwarteten Situationen besser kontrollieren.
- f. **Tragen Sie geeignete Kleidung. Tragen Sie keine weite Kleidung und keinen Schmuck. Halten Sie Ihre Haare, Kleidung und Handschuhe von beweglichen Teilen fern.** Lose sitzende Kleidung, Schmuck oder lange Haare können sich in den beweglichen Teilen verfangen.
- g. **Falls Vorrichtungen zum Absaugen oder Auffangen von Staub vorhanden sind, vergewissern Sie sich, dass diese angeschlossen sind und richtig verwendet**

werden. Das Verwenden einer Staubauffangvorrichtung verringert Gefährdungen durch Staub.

4. Gebrauch und Pflege von Geräten

- a. **Überlasten Sie das Gerät nicht. Verwenden Sie das für Ihre Arbeit passende Gerät.** Das richtige Gerät wird die Aufgabe besser und sicherer erledigen, wenn es bestimmungsgemäß verwendet wird.
- b. **Verwenden Sie das Gerät nicht, wenn der Ein-/Ausschalter nicht funktioniert.** Ein Gerät, das sich nicht mehr ein- oder ausschalten lässt, ist gefährlich und muss repariert werden.
- c. **Ziehen Sie den Stecker aus der Steckdose, oder trennen Sie das Gerät vom Akku, bevor Sie Einstellungen vornehmen, Zubehörteile wechseln oder das Gerät lagern.** Diese Vorbeugemaßnahmen mindern die Gefahr, dass das Elektrogerät unbeabsichtigt startet.
- d. **Bewahren Sie unbenutzte Geräte außerhalb der Reichweite von Kindern auf. Lassen Sie Geräte nicht von Kindern benutzen, die damit nicht vertraut sind oder diese Anweisungen nicht gelesen haben.** Geräte sind in den Händen nicht geschulter Personen gefährlich.
- e. **Halten Sie das Gerät in einem einwandfreien Zustand. Kontrollieren Sie, ob bewegliche Teile falsch ausgerichtet sind oder klemmen und ob Teile gebrochen oder so beschädigt sind, dass die Funktion des Geräts beeinträchtigt ist. Bei Beschädigungen lassen Sie das Gerät reparieren, bevor Sie es verwenden.** Viele Unfälle entstehen wegen mangelnder Wartung der Geräte.
- f. **Halten Sie Schneidgeräte scharf und sauber.** Richtig gewartete Schneidwerkzeuge mit scharfen Klingen blockieren seltener und sind leichter unter Kontrolle zu halten.
- g. **Verwenden Sie Gerät, Zubehör, Einsatz-Bits usw. entsprechend diesen Anweisungen und berücksichtigen Sie dabei die Arbeitsbedingungen und die auszuführende Arbeit.** Der Gebrauch von Geräten für andere als die vorgesehenen Zwecke kann zu gefährlichen Situationen führen.

5. Service

- a. **Lassen Sie das Gerät nur von qualifiziertem Fachpersonal und nur mit Originalersatzteilen reparieren.** Damit wird sichergestellt, dass die Sicherheit des Geräts erhalten bleibt.

Zusätzliche Sicherheitswarnungen für das Gerät



Warnung! Zusätzliche Sicherheitshinweise für Schleif-, Schmirgel-, Drahtbürst-, Polier- oder Trennschleifarbeiten:

- ◆ **Dieses Gerät kann als Schleif-, Drahtbürst-, Polier- oder Trenngerät verwendet werden. Beachten Sie alle Sicherheitshinweise, Anweisungen, Darstellungen und Daten, die Sie mit dem Gerät erhalten.** Wenn Sie die folgenden Anweisungen nicht beachten, kann es zu elektrischem Schlag, Feuer und/oder schweren Verletzungen kommen.
- ◆ **Dieses Elektrowerkzeug wird nicht für Polier- oder Trennarbeiten empfohlen.** Verwendungen, für die das Elektrowerkzeug nicht vorgesehen ist, können Gefährdungen und Verletzungen verursachen.
- ◆ **Verwenden Sie kein Zubehör, das vom Hersteller nicht speziell für dieses Elektrowerkzeug vorgesehen und empfohlen wurde.** Nur weil Sie das Zubehör an Ihrem Elektrowerkzeug befestigen können, garantiert dies keine sichere Verwendung.
- ◆ **Die zulässige Drehzahl des Einsatzwerkzeugs muss mindestens so hoch sein wie die auf dem Elektrowerkzeug angegebene Höchstdrehzahl.** Zubehör, das sich schneller als zulässig dreht, kann zerbrechen und umherfliegen.
- ◆ **Der Außendurchmesser und die Stärke des Zubehörs müssen innerhalb der Gerätekapazität liegen.** Zubehör mit falschen Maßen kann nicht ausreichend kontrolliert werden.
- ◆ **Das Gewinde von Zubehör muss mit dem Spindelgewinde des Schleifers zusammenpassen. Bei Zubehör mit Flanschbefestigung muss das Aufnahmeloch des Zubehörs mit dem Flanschdurchmesser übereinstimmen.** Zubehör, das nicht genau auf die Schleifspindel des Elektrowerkzeugs passt, dreht sich ungleichmäßig, vibriert sehr stark und kann zum Verlust der Kontrolle führen.
- ◆ **Verwenden Sie kein beschädigtes Zubehör.** Kontrollieren Sie vor jeder Verwendung Einsatzwerkzeuge wie Schleifscheiben auf Absplitterungen und Risse, Schleifteller auf Risse, Verschleiß oder starke Abnutzung, Drahtbürsten auf lose oder gebrochene Drähte. Wenn das Elektrowerkzeug oder das Einsatzwerkzeug heruntergefallen ist, überprüfen Sie, ob es beschädigt ist, oder verwenden Sie ein unbeschädigtes Einsatzwerkzeug. Wenn nach der Überprüfung das Zubehör montiert wird, muss das Gerät eine Minute lang bei maximaler Leerlaufdrehzahl betrieben werden. Beschädigte Einsatzwerkzeuge brechen meist in dieser Testzeit.
- ◆ **Verwenden Sie eine geeignete Schutzausrüstung. Verwenden Sie je nach Anwendung Vollgesichtsschutz, Augenschutz oder Schutzbrille. Soweit angemessen, tragen Sie Staubmaske, Gehörschutz, Schutzhandschuhe oder**

Spezialschürze, die kleine Schleif- und Materialpartikel von Ihnen fernhält. Die Augen sollen vor herumfliegenden Fremdkörpern geschützt werden, die bei verschiedenen Anwendungen entstehen. Die Staub- oder Atemmaske muss die Partikel filtern können, die durch den Einsatz entstehen. Wenn Sie lange lautem Lärm ausgesetzt sind, können Sie einen Hörverlust erleiden.

- ◆ **Halten Sie andere Personen vom Arbeitsbereich fern. Jeder, der den Arbeitsbereich betritt, muss persönliche Schutzausrüstung tragen.** Bruchstücke des Werkstücks oder gebrochener Einsatzwerkzeuge können wegfiegen und Verletzungen auch außerhalb des direkten Arbeitsbereichs verursachen.
- ◆ **Halten Sie das Elektrowerkzeug an den isolierten Griffflächen, wenn Arbeiten durchgeführt werden, bei denen das Schneidwerkzeug versteckte Leitungen oder die eigene Anschlussleitung berühren könnte.** Der Kontakt mit stromführenden Leitungen kann auch offen liegende Metallteile am Gerät unter Strom setzen und zu einem Stromschlag führen.
- ◆ **Sichern Sie das Werkstück zum Beispiel mit Einspannvorrichtungen auf einer stabilen Plattform.** Das Werkstück ist instabil, wenn es mit der Hand oder dem Körper abgestützt wird, was zum Verlust der Kontrolle führen kann.
- ◆ **Halten Sie das Netzkabel von sich drehenden Einsatzwerkzeugen fern.** Wenn Sie die Kontrolle über das Gerät verlieren, kann das Netzkabel durchtrennt oder erfasst werden und Ihre Hand oder Ihr Arm in das sich drehende Einsatzwerkzeug geraten.
- ◆ **Legen Sie das Elektrowerkzeug niemals ab, bevor das Einsatzwerkzeug völlig zum Stillstand gekommen ist.** Das sich drehende Einsatzwerkzeug kann in Kontakt mit der Ablagefläche geraten, wodurch Sie die Kontrolle über das Elektrowerkzeug verlieren können.
- ◆ **Lassen Sie das Elektrowerkzeug nicht laufen, während Sie es tragen.** Ihre Kleidung kann durch zufälligen Kontakt mit dem sich drehenden Einsatzwerkzeug erfasst werden und das Einsatzwerkzeug kann sich in Ihren Körper bohren.
- ◆ **Reinigen Sie regelmäßig die Lüftungsschlitze Ihres Elektrowerkzeugs.** Das Motorgebläse zieht Staub in das Gehäuse, und eine starke Ansammlung von Metallstaub kann elektrische Gefahren verursachen.
- ◆ **Verwenden Sie das Elektrowerkzeug nicht in der Nähe brennbarer Materialien.** Funken können diese Materialien entzünden.
- ◆ **Verwenden Sie keine Einsatzwerkzeuge, die flüssige Kühlmittel erfordern.** Die Verwendung von Wasser oder anderen flüssigen Kühlmitteln kann zu einem elektrischen Schlag führen.

Hinweis: Dieser Sicherheitshinweis gilt nicht für Geräte, die speziell für die Verwendung mit flüssigen Kühlmitteln entwickelt wurden.

Rückschlag und damit verbundene Sicherheitshinweise

Rückschlag ist die plötzliche Reaktion infolge eines hakenden oder blockierten drehenden Einsatzwerkzeugs, wie Schleifscheibe, Schleifteller, Drahtbürste usw. Durch das daraus folgende unmittelbare Stoppen des Zubehörs wird das Gerät in die Richtung bewegt, die der Drehrichtung des Zubehörs entgegengesetzt ist.

Wenn z. B. eine Schleifscheibe im Werkstück hakt oder blockiert, kann sich die Kante der Schleifscheibe, die in das Werkstück eintaucht, verfangen und dadurch die Schleifscheibe ausbrechen oder einen Rückschlag verursachen. Abhängig von der Drehrichtung kann die Scheibe entweder zum Bediener hin- oder von ihm wegspringen. Hierbei können Schleifscheiben auch brechen.

Ein Rückschlag ist das Resultat eines Missbrauchs und/oder einer falschen Bedienung des Geräts und/oder falscher Betriebsbedingungen. Er kann durch die entsprechenden unten angegebenen Vorsichtsmaßnahmen vermieden werden.

- ◆ **Halten Sie das Gerät stets fest im Griff, und nehmen Sie eine Körper- und Armhaltung ein, in der Sie Rückschläge auffangen können. Verwenden Sie stets den Zusatzgriff, sofern vorhanden, sodass Sie optimal auf eventuelle Rückschläge oder Drehmomente während des Startens reagieren können.** Rückschlagkräfte oder Drehmomente können vom Bediener mittels entsprechender Vorsichtsmaßnahmen unter Kontrolle gehalten werden.
- ◆ **Halten Sie Ihre Hände von sich drehendem Zubehör fern.** Das Einsatzwerkzeug kann sich beim Rückschlag über Ihre Hand bewegen.
- ◆ **Positionieren Sie Ihren Körper so, dass das Gerät im Falle eines Rückschlags nicht in Ihre Richtung gedrückt wird.** Durch einen Rückschlag wird das Gerät in die Richtung gedrückt, die der Drehrichtung des Zubehörs zum Zeitpunkt des Verkantens entgegengesetzt ist.
- ◆ **Beim Bearbeiten von Ecken, scharfen Kanten usw. ist besondere Aufmerksamkeit erforderlich. Verhindern Sie ein Springen und Verkanten des Geräts.** Das rotierende Einsatzwerkzeug neigt bei Ecken, scharfen Kanten oder wenn es abprallt, dazu, sich zu verklemmen. Dies verursacht einen Kontrollverlust oder Rückschlag.
- ◆ **Bringen Sie keine Sägeketten, Holzmesser oder gezahnte Sägen an.** Solche Einsatzwerkzeuge verursachen häufig einen Rückschlag oder den Verlust der Kontrolle über das Elektrowerkzeug.

Spezielle Sicherheitshinweise für Schleif- und Trennarbeiten

- ◆ **Verwenden Sie ausschließlich Scheiben, die zur Verwendung mit Ihrem Gerät empfohlen werden, sowie die für die verwendete Scheibe passende Schutzvorrichtung.** Schleifkörper, die nicht für das Elektrowerkzeug vorgesehen sind, können nicht ausreichend abgeschirmt werden und sind unsicher.
- ◆ **Die Schleifoberfläche von gekröpften Scheiben muss unterhalb der Schutzlippe befestigt werden.** Ein falsch montiertes Rad, das durch die Fläche der Schutzlippe hervorsteht, wird nicht angemessen geschützt.
- ◆ **Die Schutzvorrichtung muss sorgfältig am Gerät angebracht und für optimalen Schutz ausgerichtet werden, sodass möglichst viel Scheibenfläche von der Schutzvorrichtung abgeschirmt wird.** Die Schutzvorrichtung soll die Bedienperson vor Bruchstücken und zufälligem Kontakt mit dem Schleifkörper sowie vor Funken schützen, durch die die Kleidung entzündet werden könnte.
- ◆ **Die Scheiben dürfen nur gemäß ihrer Verwendungsbestimmungen eingesetzt werden. Zum Beispiel: Schleifen Sie nie mit der Seitenfläche einer Trennscheibe.** Trennscheiben sind zum Materialabtrag mit der Kante der Scheibe bestimmt. Seitliche Kraftereinwirkung auf diese Schleifkörper kann sie zerbrechen.
- ◆ **Verwenden Sie für die ausgewählte Scheibe ausschließlich unbeschädigte Scheibenflansche von entsprechender Größe und Form.** Geeignete Flansche stützen die Schleifscheibe und verringern so die Gefahr eines Schleifscheibenbruchs. Flansche für Trennscheiben können sich von den Flanschen für andere Schleifscheiben unterscheiden.
- ◆ **Verwenden Sie keine abgenutzten Scheiben von größeren Geräten.** Schleifscheiben für größere Elektrowerkzeuge sind nicht für die höheren Drehzahlen von kleineren Elektrowerkzeugen ausgelegt und können brechen.

Zusätzliche Sicherheitshinweise für Trennarbeiten

- ◆ **Rammen Sie die Scheibe nicht in das Werkstück, und üben Sie keinen übermäßigen Druck aus. Führen Sie keine übermäßig tiefen Schnitte aus.** Bei Überlastung der Scheibe erhöht sich das Risiko eines Verdrehens oder Verkantens im Schnitt und somit auch das Risiko eines Rückschlags oder Scheibenbruchs.
- ◆ **Positionieren Sie Ihren Körper niemals in einer Linie mit und hinter der sich drehenden Scheibe.** Wenn Sie die Trennscheibe im Werkstück von sich wegbewegen, kann im Falle eines Rückschlags das Elektrowerkzeug mit der sich drehenden Scheibe direkt auf Sie zugeschleudert werden.

- ◆ **Wenn die Scheibe verkantet oder Sie die Arbeit unterbrechen möchten, schalten Sie das Gerät aus, und halten Sie es bewegungslos, bis die Scheibe vollständig zum Stillstand kommt. Versuchen Sie nie, die noch laufende Trennscheibe aus dem Schnitt zu ziehen, sonst kann ein Rückschlag erfolgen.** Ermitteln und beheben Sie die Ursache für das Verklemmen.
- ◆ **Starten Sie den Arbeitsvorgang nicht im Werkstück. Lassen Sie die Trennscheibe erst ihre volle Drehzahl erreichen, bevor Sie den Schnitt vorsichtig fortsetzen.** Anderenfalls kann die Scheibe verhaken, aus dem Werkstück springen oder einen Rückschlag verursachen.
- ◆ **Stützen Sie Platten oder große Werkstücke ab, um das Risiko eines Rückschlags durch eine eingeklemmte Trennscheibe zu vermindern.** Große Werkstücke können sich unter ihrem eigenen Gewicht durchbiegen. Das Werkstück muss auf beiden Seiten der Scheibe abgestützt werden, und zwar sowohl in der Nähe des Trennschnitts als auch an der Kante.
- ◆ **Gehen Sie beim Eintauchschnitt in Wände oder sonstige unübersichtliche Bereiche besonders vorsichtig vor.** Die eintauchende Trennscheibe kann beim Schneiden in Gas- oder Wasserleitungen, elektrische Leitungen oder andere Objekte einen Rückschlag verursachen.

Spezielle Sicherheitshinweise für Schleifarbeiten

- ◆ **Verwenden Sie kein Schleifpapier, das die erforderliche Größe zu sehr übersteigt. Befolgen Sie bei der Auswahl von Schleifpapier die Herstellerempfehlungen.** Schleifblätter, die über den Schleifteller hinausragen, können Verletzungen verursachen sowie zum Blockieren, Zerreißen der Schleifblätter oder zum Rückschlag führen.

Spezielle Sicherheitshinweise für Abbürstarbeiten

- ◆ **Beachten Sie, dass sich auch während des normalen Betriebs Drahtborsten lösen und umhergeschleudert werden. Überlasten Sie die Drähte nicht durch zu hohen Anpressdruck.** Wegfliegende Drahtstücke können sehr leicht durch dünne Kleidung und/oder die Haut dringen.
- ◆ **Wenn für Bürstarbeiten die Verwendung einer Schutzvorrichtung empfohlen wird, dürfen weder Scheibe noch Bürste in Kontakt mit der Schutzvorrichtung kommen.** Der Durchmesser von Scheibe oder Bürste kann sich durch Arbeitsbelastung und Zentrifugalkräfte erhöhen.

Sicherheit anderer Personen

- ◆ **Dieses Gerät darf nicht von Personen (einschließlich Kindern) mit eingeschränkten physischen, sensorischen oder mentalen Fähigkeiten oder ohne ausreichende**

Erfahrung oder Kenntnisse verwendet werden, außer wenn diese Personen von einer Person, die für ihre Sicherheit verantwortlich ist, bei der Verwendung des Geräts beaufsichtigt oder mit ihm vertraut gemacht werden.

- ◆ Kinder müssen beaufsichtigt werden, um sicherzustellen, dass sie nicht mit dem Gerät spielen.

Restrisiken

Beim Gebrauch dieses Geräts verbleiben zusätzliche Restrisiken, die möglicherweise nicht in den Sicherheitswarnungen genannt werden.

Diese Risiken bestehen beispielsweise bei Missbrauch oder längerem Gebrauch.

Auch bei der Einhaltung der entsprechenden Sicherheitsvorschriften und der Verwendung aller Sicherheitsgeräte bestehen weiterhin bestimmte Restrisiken. Diese sind:

- ◆ Verletzungen, die durch das Berühren von sich drehenden/bewegenden Teilen verursacht werden.
- ◆ Verletzungen, die durch das Austauschen von Teilen, Messern oder Zubehör verursacht werden.
- ◆ Verletzungen, die durch längeren Gebrauch eines Geräts verursacht werden. Legen Sie bei längerem Gebrauch regelmäßige Pausen ein.
- ◆ Beeinträchtigung des Gehörs.
- ◆ Gesundheitsrisiken durch das Einatmen von Staub beim Verwenden des Geräts (beispielsweise bei Holzarbeiten, insbesondere Eiche, Buche und MDF.)

Vibration

Die in den Abschnitten "Technische Daten" und "EU-Konformitätserklärung" angegebenen Werte für die Vibrationsemission wurden mit einer Standard-Prüfmethode nach EN 60745 ermittelt und können zum Vergleich verschiedener Geräte herangezogen werden. Außerdem kann mit Hilfe dieses Werts die Belastung bei Verwendung des Geräts schon im Voraus eingeschätzt werden.

Warnung! Die bei Verwendung des Geräts auftretende Vibrationsemission hängt von der Art des Gerätegebrauchs ab und kann dementsprechend von dem angegebenen Wert abweichen. Gegebenenfalls kann die Vibration über dem angegebenen Wert liegen.

Für die Ermittlung der Vibrationsbelastung müssen die tatsächlichen Einsatzbedingungen und Verwendungen des Geräts während des gesamten Arbeitsgangs berücksichtigt werden, einschließlich der Zeiten, wenn das Gerät nicht verwendet oder im Leerlauf betrieben wird. Diese Werte werden benötigt, um die gemäß 2002/44/EG erforderlichen Sicherheitsmaßnahmen zum Schutz von Personen festlegen zu können.

Etiketten am Werkzeug

Folgende Piktogramme sowie der Datumscode befinden sich auf dem Werkzeug:



Warnung! Lesen Sie vor Gebrauch die Anleitung. Andernfalls besteht Verletzungsgefahr.



Tragen Sie eine Schutzbrille, wenn Sie mit dem Gerät arbeiten.



Tragen Sie einen Gehörschutz, wenn Sie mit dem Gerät arbeiten.

Electrical safety



Das Ladergerät ist schutzisoliert, daher ist keine Erdleitung erforderlich. Stellen Sie sicher, dass die Netzspannung der auf dem Typenschild des Geräts angegebenen Spannung entspricht.

- ◆ Ist das Netzkabel beschädigt, muss es durch den Hersteller oder eine Stanley FatMax Vertragswerkstatt ausgetauscht werden, um eine mögliche Gefährdung zu vermeiden.

Spannungsabfälle

Der Einschaltstrom kann einen kurzfristigen Spannungsabfall verursachen. Dies kann ggf. die Stromversorgung anderer Geräte beeinflussen. Bei einer Systemimpedanz der Stromversorgung von unter 0,107 Ω sind Störungen unwahrscheinlich.

Merkmale

Dieses Gerät verfügt über einige oder alle der folgenden Merkmale:

1. Ein-/Aus-Schalter
2. Spindelverriegelung
3. Schutzhaube
4. Zusatzhandgriff

Montage

Warnung! Vergewissern Sie sich vor der Montage, dass das Gerät ausgeschaltet ist und der Netzstecker gezogen wurde.

Anbringen und Entfernen der Schutzvorrichtung (Abb. A)

Das Gerät ist mit einer Schutzvorrichtung ausgestattet, die nur für Schleifarbeiten (Typ 27) vorgesehen ist. Wenn mit dem Gerät Trennarbeiten durchgeführt werden sollen, muss eine entsprechende Schutzvorrichtung (Typ 41) angebracht werden. Geeignete Schutzvorrichtungen mit den Artikelnummern N551980 (für 115mm-Schneidscheiben) und N542445 (für 125mm-Schneidscheiben) erhalten Sie von Ihren Stanley FatMax Vertragswerkstätten.

Anbringen

- ◆ Legen Sie das Gerät mit der Spindel (4) nach oben auf einen Tisch.
- ◆ Lösen Sie die Klemme (5), und halten Sie die Schutzvorrichtung (3) gemäß der Abbildung über das Gerät.
- ◆ Richten Sie die Haltevorrichtungen (6) an den Kerben (7) aus.
- ◆ Drücken Sie die Schutzvorrichtung nach unten, und drehen Sie sie entgegen dem Uhrzeigersinn in die gewünschte Position.
- ◆ Schließen Sie die Klemme (5), um die Schutzvorrichtung am Gerät zu sichern.
- ◆ Ziehen Sie ggf. die Schraube (8) an, um die Haltekraft zu erhöhen.

Entfernen

- ◆ Lösen Sie die Klemme (5).
- ◆ Drehen Sie die Schutzvorrichtung im Uhrzeigersinn, bis die Haltevorrichtungen (6) an den Kerben (7) ausgerichtet sind.
- ◆ Nehmen Sie die Schutzvorrichtung vom Gerät ab.

Warnung! Verwenden Sie das Gerät nie ohne Schutzvorrichtung.

Anbringen des seitlichen Haltegriffs

- ◆ Schrauben Sie den seitlichen Haltegriff (4) in eine der Montageöffnungen des Geräts.

Warnung! Verwenden Sie stets den seitlichen Haltegriff.

Anbringen und Entfernen von Schleifscheiben

(Abb. B - D)

Verwenden Sie stets die für Ihre Arbeit passende Scheibe. Verwenden Sie stets Scheiben mit korrektem Durchmesser und entsprechender Bohrung (s. technische Daten).

Anbringen

- ◆ Bringen Sie die Schutzvorrichtung wie oben beschrieben an.
- ◆ Setzen Sie den inneren Flansch (9) auf die Spindel (4) auf (Abb. B). Vergewissern Sie sich, dass der Flansch ordnungsgemäß auf den flachen Seiten der Spindel sitzt.
- ◆ Setzen Sie die Scheibe (10) auf die Spindel (4) auf (Abb. B). Wenn die Scheibe über einen erhöhten Mittelteil (11) verfügt, muss diese Erhöhung zum inneren Flansch weisen.
- ◆ Vergewissern Sie sich, dass die Scheibe ordnungsgemäß auf dem inneren Flansch sitzt.
- ◆ Setzen Sie den äußeren Flansch (12) auf die Spindel auf. Bei Schleifscheiben muss die Erhöhung in der Mitte am äußeren Flansch zur Scheibe weisen (A in Abb. C). Bei

Trennscheiben muss der erhöhte Mittelteil am äußeren Flansch von der Scheibe weg weisen (B in Abb. C).

- ◆ Halten Sie die Spindelarretierung (2) gedrückt, und ziehen Sie den äußeren Flansch mithilfe des Stirnlochschlüssels (13) fest (Abb. D).

Entfernen

- ◆ Halten Sie die Spindelarretierung (2) gedrückt, und lösen Sie den äußeren Flansch (12) mithilfe des Stirnlochschlüssels (13) (Abb. D).
- ◆ Nehmen Sie den äußeren Flansch (12) und die Scheibe (10) ab.

Schleifen von Oberflächen mit Schleifscheiben

- ◆ Lassen Sie das Werkzeug auf volle Drehzahl beschleunigen, bevor es die Arbeitsfläche berührt.
- ◆ Üben Sie minimalen Druck auf die Arbeitsfläche aus, damit das Werkzeug mit hoher Geschwindigkeit arbeiten kann. Die Schleifgeschwindigkeit ist am größten, wenn das Werkzeug mit hoher Geschwindigkeit arbeitet.
- ◆ Halten Sie wie in Abbildung F gezeigt einen Winkel von 20° bis 30° zwischen Gerät und Werkstück ein.
- ◆ Bewegen Sie das Werkzeug kontinuierlich vor und zurück, damit sich keine Furchen in der Arbeitsfläche bilden können.
- ◆ Heben Sie das Werkzeug von der Oberfläche ab, bevor Sie es ausschalten. Lassen Sie das Gerät zum Stillstand kommen, bevor Sie es ablegen.

Schleifen von Kanten mit Schleifscheiben

Die Verwendung von Scheiben zum Trenn- und Kantenschleifen kann zu Rissen oder Rückschlägen führen, wenn sich diese bei Trenn- bzw. Tiefschleifarbeiten verbiegen oder verdrehen. Trenn- und Kantenschleifen mit einer Scheibe vom Typ 27 muss auf flaches Schneiden und Kerben von maximal 13 mm Tiefe begrenzt werden, wenn die Scheibe neu ist. Verringern Sie die Tiefe des Schneidens/Kerbens entsprechend der Reduzierung des Scheibenradius, die durch Abnutzung entsteht. Weitere Informationen finden Sie in der Tabelle für Schleif- und Trennzubehör am Ende des Handbuchs. Kantenschleifen/-schneiden mit einer Scheibe vom Typ 41 erfordert die Verwendung einer Schutzvorrichtung vom Typ 41.

- ◆ Lassen Sie das Werkzeug auf volle Drehzahl beschleunigen, bevor es die Arbeitsfläche berührt.
- ◆ Üben Sie minimalen Druck auf die Arbeitsfläche aus, damit das Werkzeug mit hoher Geschwindigkeit arbeiten kann. Die Schleifgeschwindigkeit ist am größten, wenn das Werkzeug mit hoher Geschwindigkeit arbeitet.
- ◆ Stellen Sie sich so, dass die offene Unterseite der Scheibe von Ihnen weg zeigt.
- ◆ Wenn Sie einmal mit einem Schnitt begonnen haben und eine Kerbe im Werkstück gebildet worden ist, ändern Sie

nicht den Schnittwinkel. Die Änderung des Winkels bewirkt, dass sich die Scheibe verbiegt und zerbrechen kann. Kantenschleifscheiben sind nicht dazu geschaffen, Seitendrücken zu widerstehen, die durch Verbiegen entstehen können.

- ◆ Heben Sie das Gerät von der Oberfläche ab, bevor Sie es ausschalten. Lassen Sie das Gerät zum Stillstand kommen, bevor Sie es ablegen.

Warnung! Verwenden Sie keine Kantenschleif-/Schneidscheiben für Flächenschleifanwendungen, weil diese Scheiben nicht für Seitendrücke geschaffen sind, die bei Flächenschleifen auftreten. Die Scheiben können zerbrechen und schwere Verletzungen erzeugen.

Anbringen und Entfernen der Schleifscheiben (Abb. D und E)

Für Schleifarbeiten ist Trägerpapier erforderlich. Sie erhalten dieses Trägerpapier als Zubehör im Stanley FatMax Fachhandel.

Anbringen

- ◆ Setzen Sie den inneren Flansch (9) auf die Spindel (4) auf (Abb. E). Vergewissern Sie sich, dass der Flansch ordnungsgemäß auf den flachen Seiten der Spindel sitzt.
- ◆ Setzen Sie das Trägerpapier (14) auf der Spindel auf.
- ◆ Positionieren Sie die Schleifscheibe (15) über dem Trägerpapier.
- ◆ Setzen Sie den äußeren Flansch (12) auf der Spindel auf. Dabei muss der erhöhte Mittelteil von der Scheibe weg weisen.
- ◆ Halten Sie die Spindelarretierung (2) gedrückt, und ziehen Sie den äußeren Flansch mithilfe des Stirnlochschlüssels (13) fest (Abb. D). Vergewissern Sie sich, dass der äußere Flansch ordnungsgemäß sitzt und die Scheibe sorgfältig befestigt ist.

Entfernen

- ◆ Halten Sie die Spindelarretierung (2) gedrückt, und lösen Sie den äußeren Flansch (12) mithilfe des Stirnlochschlüssels (13) (Abb. D).
- ◆ Nehmen Sie den äußeren Flansch (12), die Schleifscheibe (15) und das Trägerpapier (14) ab.

Oberflächenschliff mit Schleifscheiben

- ◆ Lassen Sie das Werkzeug auf volle Drehzahl beschleunigen, bevor es die Arbeitsfläche berührt.
- ◆ Üben Sie minimalen Druck auf die Arbeitsfläche aus, damit das Werkzeug mit hoher Geschwindigkeit arbeiten kann. Die Schleifgeschwindigkeit ist am größten, wenn das Werkzeug mit hoher Geschwindigkeit arbeitet.
- ◆ Halten Sie wie in Abbildung G gezeigt einen Winkel von 5° bis 10° zwischen Gerät und Werkstück ein.

- ◆ Bewegen Sie das Werkzeug kontinuierlich vor und zurück, damit sich keine Furchen in der Arbeitsfläche bilden können.
- ◆ Heben Sie das Werkzeug von der Oberfläche ab, bevor Sie es ausschalten. Lassen Sie das Gerät zum Stillstand kommen, bevor Sie es ablegen.

Verwenden von Trägerpapier

Wählen Sie für Ihre Anwendung immer die richtigen Sandschleifscheiben. Es gibt Schleifscheiben mit verschiedenen Körnungen. Grobe Körnungen haben schnellere Materialentfernungsgeschwindigkeiten und eine rauhere Oberfläche. Feinere Körnungen haben langsamere Materialentfernungsgeschwindigkeiten und eine glattere Oberfläche. Beginnen Sie mit grobkörnigen Scheiben zur schnellen, groben Materialentfernung. Gehen Sie zu mittlerem Schmirgelpapier über, und schließen Sie mit einer feinkörnigen Scheibe zur optimalen

Oberflächenbeschaffenheit ab.

- ◆ Grob = Körnung 16-30.
- ◆ Mittel = Körnung 36-80.
- ◆ Feinbearbeitung = Körnung 100 - 120.
- ◆ Feinstbearbeitung = Körnung 150 - 180.
- ◆ Lassen Sie das Gerät auf volle Drehzahl beschleunigen, bevor die Maschine in Kontakt mit dem Werkstück gelangt.
- ◆ Üben Sie minimalen Druck auf die Arbeitsfläche aus, damit das Werkzeug mit hoher Geschwindigkeit arbeiten kann. Die Schleifgeschwindigkeit ist am größten, wenn das Werkzeug mit hoher Geschwindigkeit arbeitet.
- ◆ Halten Sie wie in Abbildung H gezeigt einen Winkel von 5° bis 10° zwischen Gerät und Werkstück ein. Die Schleifscheibe sollte etwa 25mm der Arbeitsfläche berühren.
- ◆ Bewegen Sie das Werkzeug ständig geradlinig, um ein Brennen und Wirbeln der Arbeitsfläche zu vermeiden. Wenn Sie das Werkzeug auf der Arbeitsfläche unbeweglich ruhen lassen oder es kreisförmig bewegen, werden Brand- und Wirbelmarkierungen auf der Arbeitsfläche erzeugt.
- ◆ Heben Sie das Werkzeug von der Oberfläche ab, bevor Sie es ausschalten. Lassen Sie das Gerät zum Stillstand kommen, bevor Sie es ablegen.

Vorsichtsmaßnahmen beim Schleifen von Farbe

- ◆ Das Abschleifen von Farben auf Bleibasis wird **NICHT EMPFOHLEN**, da der entstehende kontaminierte Staub kaum kontrollierbar ist. Die größte Gefahr einer Bleivergiftung besteht für Kinder und Schwangere.
- ◆ Da es ohne chemische Analyse nur schwer feststellbar ist, ob eine Farbe Blei enthält, empfehlen wir beim Abschleifen aller Farben folgende Vorsichtsmaßnahmen:

- ◆ Kinder und Schwangere dürfen den Arbeitsplatz erst wieder betreten, wenn das Abschleifen der Farbe beendet wurde und der gesamte Arbeitsbereich gesäubert wurde.
- ◆ Alle Personen, die den Arbeitsplatz betreten, müssen eine spezielle Maske zum Schutz vor Bleifarbstaub und -dämpfen tragen. Der Filter muss täglich ausgetauscht werden, oder sobald der Träger Atemprobleme bemerkt.

Hinweis: Es sollten nur solche Staubmasken benutzt werden, die für Arbeiten mit Bleifarbestaub und -dämpfe geeignet sind. Gewöhnliche Farbmasken bieten diesen Schutz nicht. In Ihrem Baumarkt vor Ort erhalten Sie geeignete zugelassene Masken.

- ◆ Im Arbeitsbereich sind ESSEN, TRINKEN und RAUCHEN verboten, um die Aufnahme kontaminierter Farbteilchen zu vermeiden. Personen müssen sich waschen und säubern, BEVOR sie essen, trinken oder rauchen. Lebensmittel, Getränke und Zigaretten etc. dürfen nicht an Stellen im Arbeitsbereich aufbewahrt werden, wo sich Staub auf ihnen ablagern könnte.
- ◆ Farbe muss so entfernt werden, dass dabei möglichst wenig Staub erzeugt wird.
- ◆ Bereiche, in denen Farbe entfernt wird, müssen mit Plastikplanen von 4 mils (0,1 mm) Dicke abgetrennt werden.
- ◆ Das Schleifen muss so erfolgen, dass möglichst wenig Farbstaub außerhalb des Arbeitsbereichs gelangt.
- ◆ Alle Oberflächen im Arbeitsbereich müssen täglich abgesaugt und gründlich gesäubert werden, solange Schleifarbeiten durchgeführt werden. Die Staubsaugerfilter müssen häufig gewechselt werden.
- ◆ Plastikplanen zum Auffangen von Staub, Spänen und anderen Rückständen müssen aufgenommen und entsorgt werden. Die Planen müssen in dichten Abfallbehältern aufbewahrt und zusammen mit der regelmäßigen Abfallentsorgung abgeholt werden. Kinder und Schwangere sind während der Reinigungsarbeiten aus dem unmittelbaren Arbeitsbereich fernzuhalten.
- ◆ Alle Spielsachen, waschbare Möbel und andere Gegenstände, die von Kindern benutzt werden, müssen vor der Wiederverwendung gründlich gereinigt werden.

Anbringen und Anwendung von Drahtbürsten oder Drahrundbürsten

Drahtbürsten oder Drahrundbürsten werden ohne Flansche direkt auf die Schleiferspindel geschraubt. b. Eine Schutzvorrichtung vom Typ 27 ist erforderlich, wenn Drahtbürsten oder Drahrundbürsten benutzt werden. Tragen Sie Arbeitshandschuhe, wenn Sie mit Drahtbürsten oder Drahrundbürsten umgehen. Sie können scharf werden.

Rundbürsten oder Bürsten dürfen die Schutzvorrichtung während der Montage oder des Betriebs nicht berühren. Am Zubehör kann ein nicht sichtbarer Schaden auftreten, durch den Drähte von der Scheibe oder vom Topf abbrechen können.

- ◆ Schrauben Sie die Scheibe mit der Hand auf die Spindel.
- ◆ Drücken Sie den Spindelarrretierungsknopf und schrauben Sie die Scheibe mit einem Schraubenschlüssel an der Nabe der Drahrundbürste oder der Drahtbürste fest.
- ◆ Führen Sie zum Entfernen der Scheibe die obigen Anweisungen in umgekehrter Reihenfolge aus.

Warnung! Wenn die Scheibennabe nicht richtig sitzt, bevor das Werkzeug angeschaltet wird, kann es zu einer Beschädigung von Werkzeug oder Scheibe kommen. Drahrundbürsten und Topfdrahtbürsten können zum Entfernen von Rost, Kesselstein und Farbe und zum Glätten unregelmäßiger Flächen benutzt werden.

Hinweis: Beim Bürsten von Farben sollten die gleichen Vorsichtsmaßnahmen wie beim Schleifen von Farben getroffen werden.

- ◆ Lassen Sie das Werkzeug auf volle Drehzahl beschleunigen, bevor es die Arbeitsfläche berührt.
- ◆ Üben Sie minimalen Druck auf die Arbeitsfläche aus, damit das Werkzeug mit hoher Geschwindigkeit arbeiten kann. Die Materialentfernungsgeschwindigkeit ist am größten, wenn das Werkzeug mit hoher Geschwindigkeit arbeitet.
- ◆ Halten Sie beim Gebrauch von Drahtbürsten wie in Abbildung I gezeigt einen Winkel von 5° bis 10° zwischen Gerät und Werkstück.
- ◆ Halten Sie bei Drahrundbürsten Kontakt zwischen dem Rand der Scheibe und der Arbeitsfläche bei.
- ◆ Bewegen Sie das Werkzeug kontinuierlich vor und zurück, damit sich keine Furchen in der Arbeitsfläche bilden können. Wenn Sie das Werkzeug auf der Arbeitsfläche unbeweglich ruhen lassen oder es kreisförmig bewegen, werden Brand- und Wirbelmarkierungen auf der Arbeitsfläche erzeugt.
- ◆ Heben Sie das Gerät von der Oberfläche ab, bevor Sie es ausschalten. Lassen Sie das Gerät zum Stillstand bekommen, bevor Sie es ablegen.

Warnung! Seien Sie besonders vorsichtig, wenn Sie über einer Kante arbeiten, da mit einer plötzlichen scharfen Bewegung der Schleifmaschine zu rechnen ist.

Anbringen und Anwendung von Trennscheiben (Typ 41)

Schneidscheiben bestehen aus Diamantscheiben und Schleifscheiben. Es gibt Schneidscheiben für Metall und Beton. Es können auch Diamantklingen für das Schneiden von Beton benutzt werden.

HINWEIS: Es ist eine geschlossene, zweiseitige Schneidscheibenschutzvorrichtung vom Typ 41 erforderlich

(separat erhältlich), wenn Schneidscheiben benutzt werden. Wenn nicht der richtige Flansch oder die richtige Schutzvorrichtung benutzt wird, kann es durch den Bruch oder die Berührung der Scheibe zu Verletzungen kommen. Für Schneidscheiben müssen ein Aufnahmeflansch und eine Spannmutter mit Gewinde und passendem Durchmesser (dem Werkzeug beigelegt) benutzt werden.

Anbringen der geschlossenen (Typ 41) Schutzvorrichtung (Abb. J, K, L)

- ◆ Richten Sie die drei Ösen der Schutzvorrichtung (7) an den drei Schlitzen an der Nabe aus. Dadurch kommen die Ösen wie in Abbildung J gezeigt mit den Schlitzen am Getriebegehäuse in Deckung.
- ◆ Schieben Sie die Schutzvorrichtung nach unten, bis seine Öse wie in Abbildung K gezeigt in der Nut des Getriebegehäuses einrastet.
- ◆ Drehen Sie die Schutzvorrichtung (7) gegen den Uhrzeigersinn, um sie zu verriegeln. Der Körper der Schutzvorrichtung sollte wie in Abbildung L gezeigt zwischen der Spindel und dem Bediener positioniert werden, damit der Bediener maximal geschützt ist.
- ◆ Ziehen Sie die Arretierung der Schutzvorrichtung fest, um die Schutzvorrichtung am Getriebegehäuse zu sichern. Sie sollten die Schutzvorrichtung nicht mehr von Hand drehen können. Betreiben Sie den Schleifer nicht mit einer lockeren Schutzvorrichtung.
- ◆ Um die Schutzvorrichtung zu entfernen, lösen Sie die Schraube der Schutzvorrichtung. Dann drehen Sie die Schutzvorrichtung so, dass die drei Ösen auf der Schutzvorrichtung (7) an den drei Schlitzen auf der Nabe ausgerichtet sind, und ziehen die Schutzvorrichtung nach oben.

Anbringen von Trennscheiben

- ◆ Legen Sie den Aufnahmeflansch ohne Gewinde auf die Spindel, wobei der angehobene Abschnitt (Führung) nach oben zeigt. Der angehobene Abschnitt (Führung) am Aufnahmeflansch liegt auf der Scheibe, wenn die Scheibe angebracht ist.
- ◆ Legen Sie die Scheibe auf den Aufnahmeflansch und zentrieren die Scheibe auf dem angehobenen Abschnitt (Führung).
- ◆ Bringen Sie die Gewindespannmutter an, wobei der angehobene Abschnitt (Führung) von der Scheibe weg zeigt.
- ◆ Drücken Sie den Spindelarretierungsknopf und ziehen die Spannmutter mit dem mitgelieferten Schraubenschlüssel fest.
- ◆ Um die Scheibe zu entfernen, drücken Sie den Spindelarretierungsknopf und lösen die Gewindespannmutter mit dem mitgelieferten Schraubenschlüssel.

Warnung! Verwenden Sie keine Kantenschleif-/ Schneidscheiben für Flächenschleifanwendungen, weil diese Scheiben nicht für Seitendrucke geschaffen sind, die bei Flächenschleifen auftreten. Die Scheibe kann zerbrechen und schwere Verletzungen erzeugen.

- ◆ Lassen Sie das Werkzeug auf volle Drehzahl beschleunigen, bevor es die Arbeitsfläche berührt.
- ◆ Üben Sie minimalen Druck auf die Arbeitsfläche aus, damit das Werkzeug mit hoher Geschwindigkeit arbeiten kann. Die Schleifgeschwindigkeit ist am größten, wenn das Werkzeug mit hoher Geschwindigkeit arbeitet.
- ◆ Wenn Sie einmal mit einem Schnitt begonnen haben und eine Kerbe im Werkstück gebildet worden ist, ändern Sie nicht den Schnittwinkel. Die Änderung des Winkels bewirkt, dass sich die Scheibe verbiegt und zerbrechen kann.
- ◆ Heben Sie das Werkzeug von der Oberfläche ab, bevor Sie es ausschalten. Lassen Sie das Gerät zum Stillstand bekommen, bevor Sie es ablegen.

Verwendung

Warnung! Beschleunigen Sie den Arbeitsvorgang nicht mit Gewalt. Vermeiden Sie eine Überlastung.

- ◆ Achten Sie auf sorgfältige Kabelführung, um unbeabsichtigte Kabelschäden zu vermeiden.
- ◆ Rechnen Sie mit Funkenflug, wenn die Schleif- oder Trennscheibe das Werkstück berührt.
- ◆ Richten Sie das Gerät stets so aus, dass die Schutzvorrichtung optimalen Schutz vor der Schleif- oder Trennscheibe bietet.

Ein- und Ausschalten

- ◆ Drücken Sie zum Einschalten des Geräts den Ein-/Ausschalter (1).
- ◆ Lassen Sie zum Ausschalten des Gerätes den Ein-/Ausschalter (1) los.

Warnung! Schalten Sie das Gerät nicht unter Last aus.

Hinweise für optimale Arbeitsergebnisse

- ◆ Halten Sie das Gerät mit einer Hand am seitlichen Haltegriff und mit der anderen Hand am Hauptgriff sorgfältig fest.
- ◆ Achten Sie beim Schleifen stets auf einen Winkel von rund 15° zwischen der Scheibe und der Oberfläche des Werkstücks.

Wartung

Ihr Stanley FatMax Gerät (mit und ohne Netzkabel) wurde im Hinblick auf eine lange Lebensdauer und einen möglichst geringen Wartungsaufwand entwickelt. Ein kontinuierlicher, zufriedenstellender Betrieb hängt von der richtigen Pflege des Gerätes und seiner regelmäßigen Reinigung ab.

Warnung! Vor dem Ausführen jeglicher Wartungsarbeiten an Geräten mit und ohne Netzkabel:

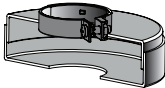
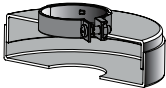






- ◆ Schalten Sie das Gerät aus, und ziehen Sie den Netzstecker.
- ◆ Wenn das Gerät über einen separaten Batteriepack oder Akku verfügt, schalten Sie das Gerät ab, und entnehmen Sie die Batterien aus dem Gerät.
- ◆ Wenn der Akku integriert ist, entladen Sie diesen vor dem Abschalten vollständig.
- ◆ Ziehen Sie das Ladegerät aus der Netzsteckdose, bevor Sie es reinigen. Das Ladegerät benötigt keine Wartung, es sollte jedoch regelmäßig gereinigt werden.
- ◆ Reinigen Sie regelmäßig die Lüftungsschlitze des Geräts und des Ladegeräts mit einer weichen Bürste oder einem trockenen Tuch.
- ◆ Reinigen Sie das Motorgehäuse regelmäßig mit einem feuchten Tuch. Verwenden Sie keine scheuernden Reinigungsmittel oder Reinigungsmittel auf Lösungsmittelbasis.
- ◆ Öffnen Sie regelmäßig das Spannfutter, und entfernen Sie durch Klopfen ggf. Staub aus dem Inneren des Geräts.

Tabelle für Schleif- und Trenzubehör

115mm-Schleifscheiben	
	
Typ 27 Schutzvorrichtung	Typ 27 Schutzvorrichtung
	
Aufnahmeflansch ohne Gewinde	
	
Typ 27 gekrüpfte Scheibe	Typ 27 abgesetzte Scheibe
	
Gewindespannmutter	
115mm-Lamellenschleifscheiben	
	
Typ 27 Schutzvorrichtung	Typ 27 Schutzvorrichtung
	
	Aufnahmeflansch ohne Gewinde
	
Abgesetzte Lamellenschleifscheibe	Nicht-abgesetzte Lamellenschleifscheibe
	
	Gewindespannmutter

Fehlerbehebung

Problem	Mögliche Ursache	Mögliche Lösung
Gerät startet nicht.	Kabel nicht eingesteckt. Kabel oder Schalter beschädigt.	Werkzeugkabel in eine Steckdose stecken. Lassen Sie das Kabel bzw. den Schalter in einem Stanley FatMax Servicecenter oder einer autorisierten Vertragswerkstatt austauschen.

115mm Typ 41 Schneidscheiben	
	
Typ 41 Schutzvorrichtung	Typ 41 Schutzvorrichtung
	
Trägerflansch	Trägerflansch
	
Schleifscheibe	Diamant-Trennscheibe
	
Spannmutter	Spannmutter
Drahtscheiben	
	
Typ 27 Schutzvorrichtung	Typ 27 Schutzvorrichtung
	
3-Zoll-Drahtbürste	4-Zoll-Drahtbürste
Schleifscheiben	
	
Gummi-Schleifteller	
	
Schleifscheibe	
	
Gewindespannmutter	

Umweltschutz



Getrennte Entsorgung. Produkte und Akkus mit diesem Symbol dürfen nicht mit dem normalen Hausmüll entsorgt werden.

Produkte und Akkus enthalten Materialien, die wiederverwertet werden können, um den Bedarf an Rohstoffen zu verringern. Bitte recyceln Sie elektrische Produkte und Akkus gemäß den örtlichen Bestimmungen. Weitere Informationen finden Sie auf www.2helpU.com

Technische Daten

		KFFMEG220
Eingangsspannung	V_{AC}	230
Leistungsaufnahme	W	850
Nenn Drehzahl	min^{-1}	12000
Scheibenbohrung	mm	22
Max. Scheibenstärke		
Schleifscheiben	mm	6
Trennscheiben	mm	3,5
Spindelgröße		M14
Gewicht	kg	1,9

Schalldruckpegel gemäß EN 60745:

Schalldruck (L_{pA})	96 dB(A), Unsicherheitsfaktor (K) 3 dB(A)
Schalleistung (L_{WA})	107 dB(A), Unsicherheitsfaktor (K) 3 dB(A)

Gesamtvibration (Triax-Vektorsumme) gemäß EN 60745:

Oberflächenschleifen ($a_{h,SG}$)	5,4 m/s^2 , Unsicherheitsfaktor (K) 1,5 m/s^2
Scheibenschleifen ($a_{h,DS}$)	5,4 m/s^2 , Unsicherheitsfaktor (K) 1,5 m/s^2

EU-Konformitätserklärung

MASCHINENRICHTLINIE



KFFMEG220 Winkelschleifer
 Stanley Europe erklärt, dass diese unter „Technische Daten“ beschriebenen Geräte übereinstimmen mit:
 2006/42/EC, EN 60745-1:2009 + A11:2010;
 EN 60745-2-3:2011 + A2:2013 + A11:2014
 + A12:2014 + A13:2015

Diese Produkte entsprechen außerdem den Richtlinien 2014/30/EU und 2011/65/EU.

Weitere Informationen erhalten Sie von Stanley Europe unter der folgenden Adresse. Diese befindet sich auch auf der Rückseite dieser Anleitung.

Der Unterzeichnete ist verantwortlich für die Zusammenstellung der technischen Daten und gibt diese Erklärung im Namen von Stanley Europe ab.



Ray Laverick

Director of Engineering

Stanley Europe, Egide Walschaertsstraat 14-18,
2800 Mechelen, Belgien
18.09.2017

Garantie

Stanley FatMax vertraut auf die Qualität der eigenen Geräte und bietet dem Käufer eine außergewöhnliche Garantie von 12 Monaten ab Kaufdatum. Diese Garantie versteht sich unbeschadet der gesetzlichen Gewährleistungsansprüche und schränkt diese keinesfalls ein. Diese Garantie gilt innerhalb der Staatsgebiete der Mitgliedstaaten der Europäischen Union und der Europäischen Freihandelszone.

Zur Inanspruchnahme dieser Garantie muss sie den allgemeinen Geschäftsbedingungen von Stanley FatMax entsprechen und dem Verkäufer bzw. der Vertragswerkstatt ist ein Kaufnachweis vorzulegen. Die Bedingungen für die 1-jährige Garantie von Stanley FatMax und den Standort Ihrer nächstgelegenen Vertragswerkstatt finden Sie im Internet unter www.2helpU.com oder indem Sie sich an die lokale Stanley FatMax-Niederlassung wenden, deren Adresse Sie in dieser Anleitung finden.

Ihr neues Stanley FatMax-Produkt können Sie auf unserer Website unter www.blackanddecker.de registrieren. Dort erhalten Sie auch Informationen über neue Produkte und Sonderangebote.

Utilisation prévue

Vos meuleuses d'angle Stanley Fat Max KFFMEG220 ont été conçues pour le meulage et le tronçonnage du métal et des matériaux de maçonnerie à l'aide de disques à tronçonner et à meuler adaptés. Équipés de carters de protection appropriés, ces outils sont prévus pour un usage grand public et professionnel.

Consignes de sécurité

Avertissements de sécurité générale liés aux outils électriques



Avertissement ! Lisez tous les avertissements de sécurité et toutes les instructions. Le non-respect des avertissements et des instructions listés ci-dessous peut entraîner des chocs électriques, des incendies et/ou de graves blessures.

Conservez tous les avertissements et toutes les instructions afin de pouvoir vous y référer dans le futur.

Le terme "outil électrique" mentionné dans tous les avertissements listés ci-dessous fait référence à vos outils électriques branchés sur secteur (avec câble) ou fonctionnant sur pile ou batterie (sans fil).

1. Sécurité de la zone de travail

a. Maintenez la zone de travail propre et bien éclairée.

Les zones sombres ou encombrées sont propices aux accidents.

b. N'utilisez pas d'outils électriques dans un environnement présentant des risques d'explosion ou en présence de liquides, gaz ou poussières inflammables.

Les outils électriques créent des étincelles qui peuvent enflammer les poussières et les fumées.

c. Maintenez les enfants et les autres personnes éloignés lorsque les outils électriques sont en marche.

Toute distraction peut vous faire perdre le contrôle de l'outil.

2. Sécurité électrique

a. Les prises des outils électriques doivent correspondre à la prise de courant murale. Ne modifiez jamais la prise d'aucune sorte. N'utilisez aucun adaptateur avec des outils électriques reliés à la terre.

L'utilisation de prises d'origine et de prises murales appropriées permet de réduire le risque de choc électrique.

b. Évitez tout contact physique avec des surfaces reliées à la terre comme des tuyaux, des radiateurs, des fours et des réfrigérateurs par exemple. Le risque de choc électrique augmente lorsque votre corps est relié à la terre.

- c. **N'exposez pas les outils électriques à la pluie, ni à l'humidité.** Le risque de choc électrique augmente si de l'eau pénètre dans un outil électrique.
- d. **Ne tirez pas sur le cordon d'alimentation. N'utilisez jamais le cordon pour transporter, tirer ou débrancher l'outil électrique. Maintenez le cordon éloigné de la chaleur, de substances grasses, de bords tranchants ou de pièces mobiles.** Les cordons endommagés ou emmêlés augmentent le risque de choc électrique.
- e. **Si vous utilisez un outil électrique à l'extérieur, utilisez une rallonge homologuée pour les travaux extérieurs.** L'utilisation d'une rallonge électrique homologuée pour les travaux en extérieur réduit le risque de choc électrique.
- f. **Si l'utilisation d'un outil électrique dans un endroit humide est inévitable, utilisez une alimentation électrique protégée par un disjoncteur différentiel à courant résiduel.** L'utilisation d'un disjoncteur différentiel réduit le risque de choc électrique.

3. Sécurité des personnes

- a. **Restez vigilant, surveillez ce que vous faites et faites preuve de bon sens lorsque vous utilisez un outil électrique. N'utilisez pas d'outils électriques si vous êtes fatigué ou sous l'influence de drogue, d'alcool ou de médicaments.** Tout moment d'inattention pendant l'utilisation d'un outil électrique peut engendrer de graves blessures.
- b. **Portez des équipements de protection individuelle. Portez toujours une protection oculaire.** Les équipements de protection comme les masques à poussière, les chaussures de sécurité antidérapantes, les casques ou les protections auditives, utilisés à bon escient, réduisent le risque de blessures.
- c. **Empêchez tout démarrage intempestif. Assurez-vous que l'interrupteur est en position Arrêt avant de raccorder l'outil à l'alimentation électrique et/ou au bloc-batterie ou avant de ramasser ou de transporter l'outil.** Le fait de transporter les outils électriques le doigt sur l'interrupteur ou d'alimenter les outils électriques dont l'interrupteur est déjà en position de marche augmente le risque d'accidents.
- d. **Retirez toutes les clés ou pinces de réglage avant de mettre l'outil en marche.** Une clé ou une pince restée fixée sur une pièce rotative de l'outil électrique peut engendrer des blessures.
- e. **Ne vous penchez pas. Gardez les pieds bien ancrés au sol et conservez votre équilibre en permanence.** Cela permet de mieux maîtriser l'outil électrique en cas de situations imprévues.
- f. **Portez des vêtements appropriés. Ne portez aucun vêtement ample ou bijou. Gardez vos cheveux, vos vêtements et vos gants éloignés des pièces mobiles.**

Les vêtements amples, les bijoux ou les cheveux longs peuvent être happés par les pièces mobiles.

- g. **Si des dispositifs pour le raccordement d'un extracteur de poussières ou des installations pour la récupération sont présents, assurez-vous qu'ils sont correctement raccordés et utilisés.** L'utilisation de dispositifs récupérateurs de poussières réduit les risques liés aux poussières.
- ### 4. Utilisation et entretien des outils électriques
- a. **Respectez la capacité de l'outil. Utilisez l'outil approprié en fonction du travail à réaliser.** Un outil adapté fonctionne mieux, de façon plus sûre et à la cadence pour laquelle il a été conçu.
 - b. **N'utilisez pas l'outil électrique si son interrupteur ne permet pas de l'allumer ou de l'éteindre.** Tout outil électrique qui ne peut plus être commandé par son interrupteur est dangereux et doit être réparé.
 - c. **Débranchez la prise du secteur et/ou retirez le bloc-batterie de l'outil électrique avant d'effectuer tout réglage, de changer un accessoire ou de ranger l'outil électrique.** Ces mesures de sécurité préventives réduisent le risque de démarrage accidentel de l'outil électrique.
 - d. **Rangez les outils électriques non utilisés hors de portée des enfants et ne laissez aucune personne ne connaissant pas ces outils ou leurs instructions d'utilisation les faire fonctionner.** Les outils électriques peuvent être dangereux entre des mains inexpérimentées.
 - e. **Entretenez vos outils électriques. Vérifiez que les pièces mobiles sont alignées correctement et qu'elles ne sont pas coincées. Vérifiez qu'aucune pièce n'est cassée et contrôlez l'absence de toute autre condition qui pourrait nuire au bon fonctionnement de l'outil.** En cas de dommage, faites réparer l'outil électrique avant de l'utiliser. De nombreux accidents sont provoqués par des outils électriques mal entretenus.
 - f. **Maintenez les organes de coupe affûtés et propres.** Des organes de coupe bien entretenus et affûtés sont moins susceptibles de rester coincés et sont plus faciles à contrôler.
 - g. **Utilisez l'outil électrique, les accessoires et les embouts d'outils conformément à ces instructions, en tenant compte des conditions de travail, ainsi que du travail à effectuer.** L'utilisation d'un outil électrique à des fins autres que celles pour lesquelles il a été prévu engendre des situations dangereuses.

5. Révision

- a. **Faites réparer votre outil électrique par une personne qualifiée, n'utilisant que des pièces de rechange d'origine.** Cela permet de garantir la sûreté de l'outil électrique.

Consignes de sécurité supplémentaires liées aux outils électriques



Avertissement ! Avertissements de sécurité supplémentaires communs pour les opérations de meulage, brosse métallique, polissage ou tronçonnage abrasif :

- ◆ **Cet outil électrique peut être utilisé comme meuleuse, ponceuse, brosse métallique, polisseuse ou outil de tronçonnage. Veuillez lire tous les avertissements de sécurité, toutes les instructions, toutes les illustrations et toutes les spécifications fournies avec cet outil électrique.** Le non-respect des instructions listées ci-dessous peut conduire à des chocs électriques, des incendies et/ou de graves blessures.
 - ◆ **Les opérations telles que le polissage ou le tronçonnage ne sont pas recommandées avec cet outil électrique.**
Les opérations pour lesquelles l'outil électrique n'a pas été conçu peuvent engendrer des risques et conduire à des blessures.
 - ◆ **N'utilisez que les accessoires spécifiquement conçus et recommandés par le fabricant de l'outil.** Le fait que l'accessoire puisse être fixé à votre outil électrique ne veut pas forcément dire que son utilisation est sans risque.
 - ◆ **La vitesse nominale des accessoires doit être au moins équivalente à la vitesse maximum indiquée sur l'outil électrique.** Les accessoires qui tournent plus vite que leur vitesse nominale peuvent se briser et voler en éclats.
 - ◆ **Le diamètre extérieur et l'épaisseur de votre accessoire doivent correspondre à la capacité nominale de votre outil électrique.** Des accessoires mal dimensionnés ne peuvent pas être correctement protégés et contrôlés.
 - ◆ **La fixation filetée des accessoires doit correspondre au filetage de l'axe de la meuleuse. Pour les accessoires montés avec des brides, l'alésage de l'accessoire doit correspondre au diamètre de positionnement de la bride.** Les accessoires qui ne correspondent pas aux éléments de fixation de l'outil électrique tournent de façon déséquilibrée, ils vibrent de façon excessive et peuvent provoquer la perte de contrôle de l'outil.
 - ◆ **N'utilisez pas un accessoire endommagé. Avant toute utilisation, contrôlez sur tous les accessoires comme les disques abrasifs par exemple, l'absence d'ébréchantures ou de fissures, l'absence de fissures ou d'usure excessive sur les patins-supports ou l'absence de fibres détachées ou cassées sur les brosses métalliques. Si l'outil électrique ou l'accessoire chutent, vérifiez l'absence de dommages ou installez un accessoire en bon état. Après avoir**
- inspecté et installé un accessoire, faites fonctionner l'outil à sa vitesse à vide maximale pendant une minute.** Les disques endommagés se brisent généralement au cours de cette durée de test.
 - ◆ **Portez des équipements de protection individuelle. En fonction de l'intervention, utilisez un écran facial ou des lunettes de sécurité. Si approprié, portez un masque anti-poussière, des protections auditives, des gants et un tablier d'atelier capables de stopper tout fragment d'abrasif ou provenant de l'ouvrage.** La protection oculaire doit être capable d'arrêter les débris volants générés par les diverses opérations. Le masque anti-poussière ou l'appareil respiratoire doivent pouvoir filtrer les particules émises pendant l'opération. Les expositions prolongées à un niveau de bruit élevé peuvent provoquer une perte de l'acuité auditive.
 - ◆ **Maintenez tous les spectateurs à une distance sûre de la zone d'intervention. Toute personne qui pénètre dans la zone de travail doit porter des équipements de protection individuelle.** Des débris provenant de l'ouvrage ou d'un accessoire brisé peuvent être éjectés et provoquer des blessures au-delà de la zone de travail immédiate.
 - ◆ **Ne tenez l'outil électrique que par ses surfaces de préhension isolées lorsque vous intervenez là où l'organe de coupe peut entrer en contact avec des fils cachés ou son propre cordon.** Tout contact de l'accessoire de coupe avec un fil sous tension peut mettre les parties métalliques exposées de l'outil sous tension et provoquer un choc électrique à l'utilisateur.
 - ◆ **Utilisez des pinces ou tout autre moyen pratique pour fixer et soutenir l'ouvrage sur une plateforme stable.** Tenir l'ouvrage à la main ou contre votre corps le rend instable et peut conduire à une perte de contrôle.
 - ◆ **Maintenez le cordon électrique loin de l'accessoire en rotation.** En cas de perte de contrôle, le cordon peut être sectionné ou abîmé, et vos bras ou mains peuvent entrer en contact avec l'accessoire en rotation.
 - ◆ **Ne reposez jamais l'outil électrique avant que l'accessoire ne soit complètement arrêté.** L'accessoire en rotation pourrait sinon accrocher la surface et vous faire perdre le contrôle de l'outil.
 - ◆ **Ne faites pas fonctionner l'outil électrique en le tenant contre votre flan.** Un contact accidentel avec l'accessoire en rotation pourrait accrocher vos vêtements et entraîner l'accessoire vers votre corps.
 - ◆ **Nettoyez régulièrement les orifices d'aération de l'outil électrique.** Le ventilateur du moteur attire la poussière à l'intérieur du boîtier et une accumulation excessive de poussières métalliques peut conduire à un risque électrique.

- ◆ **Ne faites pas fonctionner l'outil électrique à proximité de matières inflammables.** Des étincelles pourraient enflammer ces matières.
- ◆ **N'utilisez pas d'accessoires nécessitant l'utilisation de fluides de refroidissement.** L'utilisation d'eau ou de tout autre fluide de refroidissement peut provoquer une électrocution ou un choc électrique.

Remarque : L'avertissement ci-dessus ne s'applique pas aux outils électriques spécialement conçus pour une utilisation avec un système liquide.

Rebond et avertissements liés

Les rebonds sont la conséquence du pincement ou du grippage d'un disque, d'un porte-patin, d'une brosse ou de tout autre accessoire en rotation. Le pincement ou le grippage provoque le blocage rapide de l'accessoire en rotation entraînant alors l'outil électrique non contrôlé dans la direction opposée au sens de rotation de l'accessoire au niveau du point de grippage.

Par exemple, si un disque abrasif reste grippé ou pincé dans l'ouvrage, le bord du disque engagé au point de grippage peut creuser la surface du matériau et provoquer le soulèvement ou le rebond du disque. Le disque peut être projeté vers l'utilisateur ou à l'opposé, selon le sens du mouvement du disque au point de pincement.

Dans ces conditions, il peut aussi arriver que les disques abrasifs se brisent.

Les rebonds proviennent d'une utilisation inappropriée de l'outil électrique et/ou de conditions ou procédures d'exécution incorrectes, et peuvent être évités en prenant les précautions adéquates énoncées ci-dessous.

- ◆ **Maintenez fermement l'outil électrique en plaçant votre corps et votre bras de manière à pouvoir résister à la force d'un rebond.**

Utilisez toujours la poignée auxiliaire, si elle existe, pour un contrôle maximal de l'outil en cas de rebond ou de retour de couple au démarrage. L'utilisateur peut contrôler les retours de couple ou la force des rebonds si des précautions adéquates sont prises.

- ◆ **Ne placez jamais votre main près de l'accessoire en rotation.**

L'accessoire pourrait rebondir sur vos mains.

- ◆ **Ne placez pas votre corps dans la zone où l'outil pourrait se déplacer en cas de rebond.** Un rebond propulse l'outil dans la direction opposée au mouvement du disque au niveau du point de grippage.
- ◆ **Prenez les précautions nécessaires dans les coins, sur les arêtes, etc. Évitez de faire rebondir ou de faire accrocher l'accessoire.**

Les coins, bords acérés ou les rebondissements ont tendance à retenir l'accessoire en rotation et à provoquer la perte de contrôle de l'outil ou des rebonds.

- ◆ **N'installez pas de lame à sculpter le bois ou de lame dentée.** Ces lames provoquent de fréquents rebonds ou pertes de contrôle.

Consignes de sécurité spécifiques pour les opérations de meulage et de coupe abrasive

- ◆ **N'utilisez que les types de disque recommandés pour votre outil électrique et la protection spécifiquement conçue pour le disque sélectionné.** Les disques non conçus pour l'outil électrique ne peuvent pas être correctement protégés et ils sont dangereux.
- ◆ **La surface de meulage des disques creux au centre doit être fixée sous le plat de la lèvre de protection.** Un disque mal monté qui dépasse du plat de la lèvre de protection ne peut pas être correctement protégé.
- ◆ **Le carter de protection doit être fermement fixé à l'outil et positionné de la manière la plus sûre possible et en minimisant l'exposition du disque dans la direction de l'opérateur.** Le carter doit protéger l'utilisateur contre les fragments de roue cassés, le contact accidentel et des étincelles qui pourraient enflammer les vêtements.
- ◆ **Les disques ne doivent être utilisés que pour les applications recommandées. Ne meulez par exemple pas avec la surface latérale du disque.** Les disques à tronçonner abrasifs sont prévus pour le meulage périphérique, toute force latérale appliquée sur ces disques pourrait les faire voler en éclats.
- ◆ **Utilisez toujours des brides de disque en bon état, ayant la dimension et la forme appropriées au disque choisi.** Les brides de disque servent de support aux disques, réduisant ainsi les possibilités de rupture. Les brides de disques à tronçonner peuvent différer des brides de disques à meuler.
- ◆ **N'utilisez pas les disques usés provenant de plus gros outils.** Les disques conçus pour des outils électriques plus gros ne sont pas adaptés pour les vitesses plus rapides des outils plus petits, et ils peuvent voler en éclats.

Consignes de sécurité supplémentaires spécifiques aux opérations de coupe abrasive

- ◆ **Ne bloquez pas les disques à tronçonner et n'exercez pas une trop forte pression dessus. Ne tentez pas de réaliser des découpes de trop grandes profondeurs.** Une pression excessive sur le disque augmente la charge imposée à l'outil et les possibilités de torsion ou de grippage du disque dans la coupe et par conséquent les risques de rebonds ou de ruptures.

- ◆ **Ne placez pas votre corps dans l'alignement ou derrière le disque en rotation.** Lorsque le disque, au point d'exécution, s'éloigne de votre corps, le rebond possible peut le propulser avec l'outil électrique directement vers vous.
- ◆ **Quand le disque se coince ou quand la coupe est interrompue pour une raison quelconque, mettez l'outil hors tension et maintenez-le jusqu'à ce qu'il s'arrête complètement. Ne tentez jamais de retirer un disque à tronçonner de la coupe s'il est encore en mouvement, un rebond pourrait sinon se produire.** Cherchez la cause du grippage du disque et appliquez les actions correctives afin de la supprimer.
- ◆ **Ne recommencez pas la coupe dans l'ouvrage. Laissez le disque tourner à plein régime puis ré-entrez le prudemment dans la coupe.** Le disque pourrait sinon se gripper, sortir de la coupe ou rebondir si l'outil électrique était remis en marche à l'intérieur de la pièce à tronçonner.
- ◆ **Soutenez les panneaux ou les grandes pièces afin de réduire le risque de coincement ou de grippage du disque.** Les pièces de grande taille ont tendance à s'affaisser sous leur propre poids. Des supports doivent être placés sous la pièce à tronçonner, près de la ligne de découpe, des deux côtés du disque.
- ◆ **Soyez particulièrement vigilant lorsque vous effectuez des "découpes de cavités" dans des murs existants ou que vous procédez à des découpes à l'aveugle.** La saillie du disque peut sectionner des canalisations de gaz ou d'eau, des fils électriques ou des objets pouvant provoquer des rebonds.

Consignes de sécurité spécifiques aux opérations de ponçage

- ◆ **N'utilisez pas de disques de papier abrasif surdimensionnés. Suivez les recommandations des fabricants pour sélectionner le papier abrasif.** Les feuilles de papier abrasif de grande taille, dépassant du patin de ponçage, posent des risques de laceration, et elles peuvent provoquer le grippage, le déchirement ou la casse du disque ou des rebonds.

Consignes de sécurité spécifiques aux opérations de brossage métallique

- ◆ **N'oubliez pas que des fils de brosse sont éjectés même au cours d'opérations ordinaires. Ne contraignez pas trop les fils métalliques en appliquant une pression excessive sur la brosse.** Les fibres métalliques peuvent facilement pénétrer les vêtements légers et/ou la peau.

- ◆ **Si l'utilisation d'un carter de protection est recommandée pour le brossage métallique, le disque ou la brosse ne doivent en aucun cas toucher le carter.** Le diamètre de la brosse ou du disque métallique peut augmenter en fonction de la sollicitation de l'outil et de la force centrifuge.

Sécurité des personnes

- ◆ Cet appareil n'est pas conçu pour être utilisé par des personnes (y compris des enfants) aux capacités physiques, sensorielles ou intellectuelles réduites ou sans expérience ni connaissances, à moins qu'elles ne soient surveillées ou qu'elles aient été informées sur la façon sûre d'utiliser l'appareil, par une personne responsable de leur sécurité.
- ◆ Ne laissez jamais les enfants sans surveillance afin d'éviter qu'ils ne jouent avec l'appareil.

Risques résiduels

Certains risques résiduels autres que ceux mentionnés dans les avertissements sur la sécurité peuvent survenir en utilisant l'outil.

Ces risques peuvent être provoqués par une utilisation incorrecte, prolongée, etc.

Malgré l'application des normes de sécurité pertinentes et la mise en œuvre de dispositifs de sécurité, certains risques résiduels ne peuvent pas être évités. Ils comprennent :

- ◆ Les blessures dues au contact avec des pièces rotatives/mobiles.
- ◆ Les blessures dues au remplacement de pièces, de lames ou d'accessoires.
- ◆ Les blessures dues à l'utilisation prolongée d'un outil. Lorsque vous utilisez un outil quel qu'il soit pendant de longues périodes, assurez-vous de faire des pauses régulières.
- ◆ La diminution de l'acuité auditive.
- ◆ Les risques pour la santé provoqués par l'inhalation des poussières générées pendant l'utilisation de votre outil (exemple : travail avec du bois, surtout le chêne, le hêtre et les panneaux en MDF).

Vibrations

La valeur des émissions de vibrations déclarée dans la section Caractéristiques techniques et la déclaration de conformité a été mesurée selon une méthode de test standard fournie par la norme EN 60745 et peut être utilisée pour comparer un outil à un autre. La valeur des émissions de vibrations déclarée peut aussi être utilisée pour une évaluation préliminaire à l'exposition.

Avertissement ! En fonction de la manière dont l'outil est utilisé, la valeur des émissions de vibrations réelles pendant l'utilisation de l'outil peut différer de la valeur déclarée. Le niveau des vibrations peut dépasser le niveau déclaré.

Quand l'exposition aux vibrations est évaluée afin de déterminer les mesures de sécurité requises par la norme 2002/44/CE pour protéger les personnes utilisant régulièrement des outils électriques, cette estimation doit tenir compte des conditions réelles d'utilisation et de la façon dont l'outil est utilisé. Il faut également tenir compte de toutes les composantes du cycle de fonctionnement comme la durée pendant laquelle l'outil est arrêté et quand il fonctionne au ralenti, ainsi que la durée du déclenchement.

Étiquettes apposées sur l'outil

Les pictogrammes suivants ainsi que le code date sont apposés sur l'outil :



Avertissement ! Afin de réduire le risque de blessures, l'utilisateur doit lire le manuel d'utilisation.



Portez des lunettes de sécurité lorsque vous utilisez cet outil.



Portez des protections auditives lorsque vous utilisez cet outil.

Sécurité électrique



Votre chargeur dispose d'une double isolation ; aucun fil de terre n'est donc nécessaire. Vérifiez toujours que la tension du réseau électrique correspond à la tension figurant sur la plaque signalétique.

- ◆ Si le câble d'alimentation est endommagé, il doit être remplacé par le fabricant ou dans un centre d'assistance Stanley Fat Max agréé afin d'éviter les risques éventuels.

Chutes de tension

Les appels de courant provoquent des micro chutes de tension. Dans des conditions d'alimentation électrique défavorables, d'autres équipements peuvent en être affectés. Si l'impédance du système de l'alimentation électrique est inférieure à 0,107 Ω, les perturbations sont peu probables.

Caractéristiques

Cet outil dispose de tout ou partie des éléments suivants.

1. Interrupteur Marche/Arrêt
2. Dispositif de verrouillage de l'axe
3. Carter de protection
4. Poignée latérale

Assemblage

Avertissement ! Avant l'assemblage, assurez-vous que l'outil est éteint et débranché.

Installer et retirer le carter de protection (Fig. A)

L'outil est livré avec un carter de protection destiné uniquement aux opérations de meulage (type 27). Si l'outil doit être utilisé pour effectuer des opérations de tronçonnage, un carter de protection spécifique à ces opérations (type 41) doit être installé. Des carters de protection adaptés existent (numéro de pièce N551980 pour les disques à tronçonner de 115mm et N542445 pour les disques de 125mm) et ils peuvent être obtenus dans les centres d'assistance Stanley Fat Max.

Installation

- ◆ Placez l'outil sur une table, en orientant l'axe (4) vers le haut.
- ◆ Libérez le dispositif de verrouillage du système de serrage (5) et maintenez le carter de protection (3) au-dessus de l'outil, comme illustré.
- ◆ Alignez les ergots (6) avec les encoches (7).
- ◆ Abaissez le carter de protection et tournez-le dans le sens inverse des aiguilles d'une montre jusqu'à la position requise.
- ◆ Attachez le dispositif de verrouillage du système de serrage (5) pour fixer le carter de protection sur l'outil.
- ◆ Si nécessaire, serrez la vis (8) pour augmenter la force de serrage.

Retrait

- ◆ Libérez le dispositif de verrouillage du système de serrage (5).
- ◆ Tournez le carter de protection dans le sens des aiguilles d'une montre pour aligner les ergots (6) avec les encoches (7).
- ◆ Retirez le carter de protection de l'outil.

Avertissement ! N'utilisez jamais l'outil sans son carter de protection.

Installer la poignée latérale

- ◆ Vissez la poignée latérale (4) dans l'un des trous de fixation sur l'outil.

Avertissement ! Utilisez toujours la poignée latérale.

Installer et retirer les disques de meulage

(Fig. B - D)

Utilisez toujours le bon type de disque en fonction du travail à effectuer. Utilisez toujours des disques du bon diamètre et dont l'alésage est de la bonne taille (voir caractéristiques techniques).

Installation

- ◆ Installez le carter de protection, comme décrit ci-dessus.

- ◆ Placez la bride intérieure (9) sur l'axe (4) comme illustré (Fig. B). Assurez-vous que la bride est correctement positionnée sur les côtés plats de l'axe.
- ◆ Placez le disque (10) sur l'axe (4) comme illustré (Fig. B). Si le disque est bombé au centre (11), assurez-vous que la partie bombée pointe vers la bride intérieure.
- ◆ Assurez-vous que le disque est correctement positionné sur la bride intérieure.
- ◆ Placez la bride extérieure (12) sur l'axe. Lorsque vous installez un disque à meuler, le centre bombé sur la bride extérieure doit pointer vers le disque (A sur la fig. C). Lorsque vous installez un disque à tronçonner, le centre bombé sur la bride extérieure doit pointer à l'opposé du disque (B sur la fig. C).
- ◆ Maintenez le dispositif de verrouillage de l'axe (2) enfoncé et serrez la bride extérieure à l'aide de la clé à double ergot (13) (Fig. D).

Retrait

- ◆ Maintenez le dispositif de verrouillage de l'axe (2) enfoncé et desserrez la bride extérieure (12) à l'aide de la clé à double ergot (13) (Fig. D).
- ◆ Retirez la bride extérieure (12) et le disque (10).

Meuler une surface avec des disques de meulage

- ◆ Laissez l'outil atteindre son plein régime avant de le mettre en contact avec la surface de l'ouvrage.
- ◆ Appuyez un minimum sur la surface et laissez l'outil fonctionner à pleine vitesse. La cadence de meulage est supérieure lorsque l'outil fonctionne à plein régime.
- ◆ Maintenez un angle de 20° à 30° entre l'outil et la surface à meuler comme illustré par la figure F.
- ◆ Déplacez l'outil en permanence dans un mouvement de va et vient afin d'éviter les irrégularités sur la surface de l'ouvrage.
- ◆ Soulevez l'outil de la surface avant de l'éteindre. Laissez l'outil s'arrêter complètement de tourner avant de le poser.

Meuler des chants avec des disques de meulage

Les disques utilisés pour le tronçonnage et le meulage de chants peuvent se briser ou rebondir s'ils se courbent ou se tordent pendant le tronçonnage ou le meulage en profondeur. Le meulage de chant/le tronçonnage avec un disque de type 27 doit être limité aux découpes et au rainurage peu profonds - moins de 13 mm de profondeur lorsque le disque est neuf. Réduisez la profondeur de la découpe/du rainurage proportionnellement à la réduction du rayon du disque, suivant son usure. Consultez le tableau des accessoires de meulage et de tronçonnage à la fin de ce manuel pour obtenir plus d'informations. Le meulage de chant/le tronçonnage avec un disque de type 41 nécessite l'utilisation d'un carter de protection de type 41.

- ◆ Laissez l'outil atteindre son plein régime avant de le mettre en contact avec la surface de l'ouvrage.
- ◆ Appuyez un minimum sur la surface et laissez l'outil fonctionner à pleine vitesse. La cadence de meulage est supérieure lorsque l'outil fonctionne à plein régime.
- ◆ Placez-vous de sorte que le côté inférieur à nu du disque pointe loin de vous.
- ◆ Une fois la coupe entamée et l'entaille pratiquée dans l'ouvrage, ne modifiez plus l'angle de coupe. La modification de l'angle entraîne la courbure du disque qui peut alors se briser. Les disques pour le meulage de chants ne sont pas conçus pour supporter les pressions latérales en cas de courbure.
- ◆ Retirez l'outil de l'ouvrage avant de l'éteindre. Laissez l'outil s'arrêter complètement de tourner avant de le poser.

Avertissement ! N'utilisez pas de disques de meulage de chant/à tronçonner pour meuler

des surfaces si l'étiquette sur le disque l'interdit car ces disques ne sont pas conçus pour les pressions latérales subies lors du meulage de surface. Une rupture du disque et de graves blessures pourraient en résulter.

Installer et retirer des disques de ponçage (Fig. D et E)

Un porte-patin est nécessaire pour le ponçage. Le porte-patin est disponible en accessoire auprès de votre revendeur Stanley Fat Max.

Installation

- ◆ Placez la bride intérieure (9) sur l'axe (4) comme illustré (Fig. E). Assurez-vous que la bride est correctement positionnée sur les côtés plats de l'axe.
- ◆ Positionnez le porte-patin (14) sur l'axe.
- ◆ Placez le disque de ponçage (15) sur le porte-patin.
- ◆ Installez la bride extérieure (12) sur l'axe en orientant le centre bombé vers l'extérieur du disque.
- ◆ Maintenez le dispositif de verrouillage de l'axe (2) enfoncé et serrez la bride extérieure à l'aide de la clé à double ergot (13) (Fig. D). Assurez-vous que la bride extérieure est correctement installée et que le disque est fermement fixé.

Retrait

- ◆ Maintenez le dispositif de verrouillage de l'axe (2) enfoncé et desserrez la bride extérieure (12) à l'aide de la clé à double ergot (13) (Fig. D).
- ◆ Retirez la bride extérieure (12), le disque de ponçage (15) et le porte-patin (14).

Finition de surface avec des disques de ponçage

- ◆ Laissez l'outil atteindre son plein régime avant de le mettre en contact avec la surface de l'ouvrage.

- ◆ Appliquez un minimum de pression sur la surface et laissez l'outil fonctionner à plein régime. La cadence de ponçage est meilleure lorsque l'outil fonctionne à plein régime.
- ◆ Maintenez un angle de 5° à 10° entre l'outil et la surface de l'ouvrage, comme illustré par la figure G.
- ◆ Déplacez l'outil en permanence dans un mouvement de va et vient afin d'éviter les irrégularités sur la surface de l'ouvrage.
- ◆ Soulevez l'outil de la surface avant de l'éteindre. Laissez l'outil s'arrêter complètement de tourner avant de le poser.

Utilisation de porte-patins de ponçage

Choisissez toujours des disques de ponçage avec un grain approprié à votre application. Les disques de ponçage sont disponibles en différents grains. Les grains plus grossiers permettent un retrait de matière plus rapide et une finition plus brute. Les grains plus fins permettent un retrait de matière plus lent et une finition plus lisse. Commencez avec les disques à grain grossier pour un retrait plus rapide et brut de matière. Passez ensuite à un grain moyen et terminez avec un disque à grain fin pour une finition optimale.

- ◆ Ponçage grossier = Grain de 16 - 30
- ◆ Ponçage moyen = Grain de 36 - 80.
- ◆ Finition : Grain de 100 - 120.
- ◆ Finition ultrafine : Grain 150 - 180.
- ◆ Laissez l'outil atteindre son plein régime avant de le mettre en contact avec la surface à poncer.
- ◆ Appliquez un minimum de pression sur la surface et laissez l'outil fonctionner à plein régime. La cadence de ponçage est meilleure lorsque l'outil fonctionne à plein régime.
- ◆ Maintenez un angle de 5° à 10° entre l'outil et la surface à poncer comme illustré par la figure H. Le disque de ponçage doit toucher environ 25mm de la surface à poncer.
- ◆ Déplacez l'outil en permanence en ligne droite afin d'éviter les brûlures et les rayures sur la surface à poncer. Si l'outil est laissé sur la surface ou s'il est utilisé avec un mouvement circulaire, des brûlures et des rayures peuvent marquer la surface de l'ouvrage.
- ◆ Soulevez l'outil de la surface avant de l'éteindre. Laissez l'outil s'arrêter complètement de tourner avant de le poser.

Précautions à prendre pour poncer de la peinture

- ◆ Le ponçage de peinture à base de plomb **N'EST PAS RECOMMANDÉ** en raison de la difficulté à contrôler la poussière contaminée. Les enfants et les femmes enceintes courent le plus grand risque d'empoisonnement par le plomb.
- ◆ Étant donnée la difficulté à pouvoir déterminer si une peinture contient ou non du plomb sans analyse chimique, nous recommandons les précautions suivantes lors du

ponçage de toutes les peintures :

- ◆ Les enfants et les femmes enceintes ne doivent pas pénétrer dans la zone de travail lors du ponçage de la peinture et tant que le nettoyage n'est pas terminé.
- ◆ Toutes les personnes pénétrant dans la zone de travail doivent porter un masque anti-poussières ou un appareil respiratoire. Le filtre doit être remplacé tous les jours ou dès que l'utilisateur a du mal à respirer.

Remarque : Seuls les masques appropriés pour le travail avec de la poussière et des fumées de peinture au plomb doivent être utilisés. Les masques pour peinture ordinaires n'offrent pas une telle protection. Adressez-vous à votre quincaillerie locale pour obtenir des masques appropriés.

- ◆ NE MANGEZ, NE BUVEZ et NE FUMEZ PAS dans la zone de travail afin d'éviter d'ingérer des particules de peinture contaminées. Les utilisateurs doivent se laver et procéder au nettoyage AVANT de manger, de boire ou de fumer. Les aliments et les cigarettes ne doivent pas être laissés dans la zone de travail si la poussière peut s'y déposer.
- ◆ La peinture doit être retirée de manière à réduire au minimum la quantité de poussière générée.
- ◆ Les zones où le retrait de peinture a lieu doivent être scellées avec des bâches en plastique d'une épaisseur de 4 millimètres.
- ◆ Le ponçage doit être effectué de manière à réduire l'entraînement de poussière de peinture hors de la zone de travail.
- ◆ Toutes les surfaces de la zone de travail doivent être aspirées et nettoyées à fond, chaque jour et pendant toute la durée du travail de ponçage. Les sacs filtrants des aspirateurs doivent être remplacés fréquemment.
- ◆ Les bâches de protection en plastique doivent être rassemblées et jetées avec les poussières, copeaux et autres débris. Elles doivent être placées dans des récipients étanches et jetées selon les procédures habituelles de collecte des déchets. Pendant le nettoyage, les enfants et les femmes enceintes doivent être tenus éloignés de la zone de travail.
- ◆ Tous les jouets, meubles lavables et ustensiles utilisés par les enfants doivent être lavés à fond avant de pouvoir être réutilisés.

Monter et utiliser des brosses métalliques et des disques brosses

Les brosses boisseaux métalliques et les disques brosses se vissent directement sur l'axe de la meuleuse sans utiliser de brides. b. Un carter de protection de type 27 est nécessaire pour utiliser des brosses métalliques et des disques. Portez des gants de travail pour manipuler les brosses métalliques et les disques brosses. Ils peuvent devenir tranchants. Le disque ou la brosse ne doit pas toucher le carter de protection au moment de son installation ou pendant l'utilisation. Des

dommages indétectables peuvent se produire sur l'accessoire, entraînant la fragmentation des brins du disque ou de la brosse.

- ◆ Vissez le disque sur l'axe à la main.
- ◆ Enfoncez le bouton de verrouillage de l'axe et utilisez une clé sur le moyeu de la brosse métallique ou du disque brosse pour les serrer.
- ◆ Pour retirer le disque, suivez la procédure ci-dessus dans l'ordre inverse.

Avvertissement ! Si le moyeu du disque n'est correctement positionné avant de mettre l'outil en marche, l'outil ou le disque peuvent être endommagés.

Les disques brosses et les brosses métalliques peuvent être utilisée pour éliminer la rouille, le calcaire et la peinture et pour lisser les surfaces irrégulières.

Remarque : Les précautions à prendre pour éliminer de la peinture avec une brosse métallique sont identiques à celles applicables pour le ponçage de la peinture.

- ◆ Laissez l'outil atteindre son plein régime avant de le mettre en contact avec la surface de l'ouvrage.
- ◆ Appliquez un minimum de pression sur la surface et laissez l'outil fonctionner à plein régime. La cadence de retrait de matière est meilleure lorsque l'outil fonctionne à plein régime.
- ◆ Conservez un angle de 5° à 10° entre l'outil et la surface à brosser avec des brosses boisseaux métalliques, comme illustré par la figure I.
- ◆ Maintenez le contact entre le flanc du disque et l'ouvrage avec des disques brosses.
- ◆ Déplacez l'outil en permanence dans un mouvement de va et vient afin d'éviter les irrégularités sur la surface de l'ouvrage. Si l'outil est laissé sur la surface ou s'il est utilisé avec un mouvement circulaire, des brûlures et des rayures peuvent marquer la surface de l'ouvrage.
- ◆ Retirez l'outil de l'ouvrage avant de l'éteindre. Laissez l'outil s'arrêter complètement de tourner avant de le poser.

Avvertissement ! Faites particulièrement attention quand vous intervenez sur les bords, car la meuleuse peut se déplacer de façon soudaine.

Installer et utiliser des disques à tronçonner (type 41)

Les disques à tronçonner incluent les disques diamant et les disques abrasifs. Des disques à tronçonner abrasifs existent pour le métal et le béton. Des lames diamant peuvent aussi être utilisées pour tronçonner le béton.

REMARQUE : Un carter de protection fermé bilatéral de type 41 est vendu séparément et il est nécessaire pour utiliser des disques à tronçonner. Ne pas utiliser de bride et de carter de protection adaptés peut entraîner des blessures si le disque casse ou en cas de contact avec le disque.

Des brides-supports et des écrous de serrage filetés du bon diamètre (fournis avec l'outil) doivent être utilisés avec les

disques à tronçonner.

Installer un carter de protection fermé (type 41) (Fig. J, K, L)

- ◆ Alignez les trois ergots du carter de protection (7) avec les trois fentes du moyeu. Cela permet d'aligner les ergots avec les fentes sur le capot du carter d'engrenage, comme illustré par la figure J.
- ◆ Abaissez le carter de protection jusqu'à ce que l'ergot s'engage dans la rainure sur le moyeu de carter d'engrenage, comme illustré par la figure K.
- ◆ Pivotez le carter de protection (7) dans le sens inverse des aiguilles d'une montre pour le verrouiller en place. Le corps du carter de protection doit se trouver entre l'axe et l'utilisateuse afin d'offrir une protection maximale comme illustré par la figure L.
- ◆ Serrez le vis de fixation du carter de protection pour le fixer sur le capot du carter d'engrenage. Vous ne devez pas pouvoir faire pivoter le carter à la main. N'utilisez pas la meuleuse si le carter de protection n'est pas fermement fixé.
- ◆ Pour retirer le carter de protection, desserrez le vis de fixation du carter de protection. Tournez ensuite le carter de protection de façon que les trois ergots sur le carter (7) soient alignées avec les trois fentes sur le moyeu et soulevez le carter de protection.

Installer les disques à tronçonner

- ◆ Placez la bride-support non fileté sur l'axe, section bombée (pilote) vers le haut. La section bombée (pilote) sur la bride-support se trouve contre le disque lorsque le disque est installé.
- ◆ Placez le disque sur la bride-support en le centrant sur la section bombée (pilote).
- ◆ Installez l'écrou de blocage fileté, section bombée (pilote) éloignée du disque.
- ◆ Enfoncez le bouton de verrouillage de l'axe et serrez l'écrou de blocage à l'aide de la clé fournie.
- ◆ Pour retirer le disque, enfoncez le bouton de verrouillage de l'axe et desserrez l'écrou de blocage fileté à l'aide de la clé fournie.

Avvertissement ! N'utilisez pas de disques de meulage de chants/à tronçonner pour meuler les surfaces car ces disques ne sont pas conçus pour les pressions latérales subies lors du meulage de surfaces. Une rupture du disque et des blessures peuvent se produire.

- ◆ Laissez l'outil tourner à plein régime avant de le mettre en contact avec l'ouvrage.
- ◆ Appliquez une pression minimum sur la surface de l'ouvrage et laissez l'outil fonctionner à plein régime. La cadence de tronçonnage est meilleure lorsque l'outil fonctionne à plein régime.
- ◆ Une fois la coupe entamée et l'entaille pratiquée dans

l'ouvrage, ne modifiez plus l'angle de coupe. La modification de l'angle entraîne la courbure du disque qui peut alors se briser.

- ◆ Soulevez l'outil de la surface avant de l'éteindre. Laissez l'outil s'arrêter complètement de tourner avant de le poser.

Utilisation

Avertissement ! Laissez l'outil fonctionner à son propre rythme. Ne le poussez pas au-delà de sa capacité.

- ◆ Prenez les précautions nécessaires pour guider le câble et éviter de le sectionner.
- ◆ Gardez à l'esprit que des étincelles peuvent se produire lorsque le disque de meulage ou le disque à tronçonner touchent l'ouvrage.
- ◆ Placez toujours l'outil de manière que le carter de protection vous protège au maximum du disque de meulage ou du disque à tronçonner.

Mettre l'outil en marche et l'éteindre

- ◆ Pour mettre l'outil en marche, appuyez sur le l'interrupteur Marche/Arrêt (1).
- ◆ Pour éteindre l'outil, relâchez le l'interrupteur Marche/Arrêt (1).

Avertissement ! N'éteignez pas l'outil avant qu'il ne tourne à vide.

Conseils pour une utilisation optimale

- ◆ Maintenez fermement l'outil en plaçant une main sur la poignée latérale et l'autre main sur la poignée principale.
- ◆ Pendant le meulage, maintenez toujours un angle d'environ 15° entre le disque et la surface de l'ouvrage.

Maintenance

Votre appareil/outil sans fil/avec fil Stanley Fat Max a été conçu pour fonctionner pendant longtemps avec un minimum d'entretien. Le fonctionnement continu et satisfaisant de l'outil dépend de son bon entretien et de son nettoyage régulier.

Avertissement ! Avant toute intervention de maintenance sur des outils électriques avec ou sans fil :

- ◆ Arrêtez et débranchez l'appareil/outil.
- ◆ Ou, éteignez l'appareil/l'outil et retirez en la batterie si celui-ci est muni d'un bloc-batterie séparé.
- ◆ Ou déchargez complètement la batterie si elle est intégrée au système, puis éteignez l'appareil.
- ◆ Débranchez le chargeur avant de le nettoyer. Votre chargeur ne nécessite aucun entretien particulier, à l'exception d'un nettoyage régulier.
- ◆ Nettoyez régulièrement les fentes d'aération de votre appareil/outil/chargeur à l'aide d'une brosse souple ou d'un chiffon sec.
- ◆ Nettoyez régulièrement le bloc-moteur à l'aide d'un chiffon humide. N'utilisez pas de détergents abrasifs ou à base

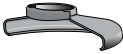
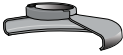

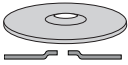
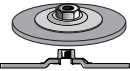

de solvants.







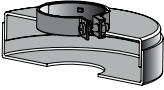
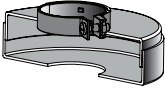






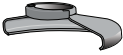

- ◆ Ouvrez régulièrement le mandrin et retirez la poussière à l'intérieur en le tapotant (le cas échéant).






Dépannage

Problème	Cause possible	Solution possible
La machine ne démarre pas.	Le cordon n'est pas branché. Le cordon ou l'interrupteur sont endommagés.	Branchez l'outil dans une prise qui fonctionne. Faites remplacer le cordon ou l'interrupteur dans un centre d'assistance ou chez un réparateur Stanley Fat Max agréé.

Tableau des accessoires de meulage et de tronçonnage

Disques à meuler 115mm	
 Carter de protection type 27	 Carter de protection type 27
 Bride-support non fileté	
 Disque à centre creux type 27	 Disque à moyeu type 27
 Écrou de blocage fileté	

Disques de ponçage à lamelles 115mm	
	
Carter de protection type 27	Carter de protection type 27
	
	
	
Disque de ponçage à lamelles avec moyeu	Disque de ponçage à lamelles sans moyeu
Écrou de blocage fileté	
Disques à tronçonner 115mm type 41	
	
Carter de protection type 41	Carter de protection type 41
	
Bride-support	Bride-support
	
Disque à tronçonner abrasif	Disque à tronçonner diamant
	
Écrou de blocage	Écrou de blocage
Disques brosses	
	
Carter de protection type 27	Carter de protection type 27

	
Brosse boisseau métallique 3 pouces	Brosse boisseau métallique 4 pouces
Disques de ponçage	
	
Porte-patin en caoutchouc	
	
Disque de ponçage	
	
Écrou de blocage fileté	

Protection de l'environnement



Tri sélectif. Les produits et batteries marqués de ce symbole ne doivent pas être jetés avec les déchets ménagers.

Les produits et batteries contiennent des matières qui peuvent être récupérées et recyclées afin de réduire la demande en matières premières.

Veillez à recycler les produits électriques et les piles et batteries conformément aux dispositions locales en vigueur. Pour plus d'informations, consultez le site www.2helpU.com

Caractéristiques techniques

		KFFMEG220
Tension d'entrée	V_{CA}	230
Puissance absorbée	W	850
Vitesse nominale	min^{-1}	12000
Alésage de disque	mm	22
Épaisseur max. de disque		
Disques de meulage	mm	6

		KFFMEG220
Disques à tronçonner	mm	3,5
Taille de l'axe		M14
Poids	Kg	1,9

Garantie

Stanley Fat Max est sûr de la qualité de ses produits et offre une garantie de 12 mois aux utilisateurs, à partir de la date d'achat. Cette garantie s'ajoute à vos droits légaux auxquels elle ne porte aucunement préjudice. Cette garantie est valable au sein des territoires des États membres de l'Union Européenne et au sein de la Zone européenne de libre-échange.

Pour prétendre à la garantie, la réclamation doit être en conformité avec les conditions générales de Stanley Fat Max et vous devez fournir une preuve d'achat au vendeur ou au réparateur agréé. Les conditions générales de la garantie de 1 an Stanley Fat Max ainsi que l'adresse du réparateur agréé le plus proche sont disponibles sur le site Internet www.2helpU.com ou en contactant votre agence Stanley Fat Max locale à l'adresse indiquée dans ce manuel.

Accédez à notre site Internet www.blackanddecker.co.uk pour enregistrer votre nouveau produit Stanley Fat Max et être informé des nouveaux produits et des offres spéciales

Déclaration de conformité CE

DIRECTIVES MACHINES



Meuleuse d'angle KFFMEG220

Stanley Europe déclare que les produits décrits dans les «Caractéristiques techniques» sont conformes aux normes :
2006/42/CE, EN 60745-1:2009 +A11:2010 ;
EN 60745-2-3:2011 + A2:2013 + A11:2014
+ A12:2014 + A13:2015

Ces produits sont également conformes aux Directives
2014/30/UE et 2011/65/UE.

Pour plus de détails, veuillez contacter Stanley Europe à l'adresse suivante ou vous reporter au dos du manuel.
Le soussigné est responsable de la compilation des données de la fiche technique et fait cette déclaration au nom de Stanley Europe.

Ray Laverick
Directeur Ingénierie
Stanley Europe, Egide Walschaertsstraat14-18,
2800 Mechelen, Belgique
18/09/2017

Uso previsto

Las amoladoras angulares KFFMEG220 de Stanley FatMax han sido diseñadas para el amolado y el corte de metales y mampostería usando el tipo de disco de corte o amolado apropiado. Cuando se les coloca el protector correspondiente, estas herramientas están destinadas a uso profesional, privado y no profesional.

Instrucciones de seguridad

Advertencias de seguridad generales para herramientas eléctricas



Advertencia. Lea todas las advertencias de seguridad y todas las instrucciones. En caso de no atenerse a las siguientes advertencias e instrucciones de seguridad, podría producirse una descarga eléctrica, incendio o lesión grave.

Guarde todas las advertencias e instrucciones para futuras consultas. El término "herramienta eléctrica" empleado en las advertencias a continuación hace referencia a la herramienta eléctrica con alimentación de red (con cable) o alimentada por batería (sin cable).

1. Seguridad del área de trabajo

- a. **Mantenga limpia y bien iluminada el área de trabajo.** Las áreas en desorden u oscuras pueden provocar accidentes.
- b. **No utilice herramientas eléctricas en entornos con peligro de explosión, como aquellos en los que haya líquidos, gases o polvos inflamables.** Las herramientas eléctricas originan chispas que pueden inflamar el polvo o los gases.
- c. **Mantenga alejados a los niños y otras personas del área de trabajo al emplear la herramienta eléctrica.** Las distracciones pueden ocasionar que pierda el control.

2. Seguridad eléctrica

- a. **El enchufe de la herramienta eléctrica debe corresponder a la toma de corriente. No modifique nunca el enchufe de ninguna forma. No utilice ningún enchufe adaptador con las herramientas eléctricas conectadas a tierra.** Los enchufes no modificados y las tomas de corriente correspondientes reducirán el riesgo de descarga eléctrica.
- b. **Evite que su cuerpo toque partes conectadas o puestas a tierra tales como tuberías, radiadores, cocinas y refrigeradores.** Existe un mayor riesgo de descarga eléctrica si su propio cuerpo está conectado a tierra.

- c. **No exponga las herramientas eléctricas a la lluvia y a la humedad.** Si entra agua a una herramienta eléctrica aumentará el riesgo de descarga eléctrica.
- d. **Cuide el cable de alimentación. No use nunca el cable para transportar, tirar de la herramienta eléctrica o desenchufarla. Mantenga el cable alejado del calor, aceite, bordes afilados y piezas en movimiento.** Los cables dañados o enredados aumentan el riesgo de descarga eléctrica.
- e. **Al trabajar con la herramienta eléctrica en la intemperie utilice solamente cables de prolongación homologados para su uso en exteriores.** La utilización de un cable adecuado para el uso en exteriores reduce el riesgo de descarga eléctrica.
- f. **Si la utilización de una herramienta eléctrica en un lugar húmedo es inevitable, utilice una fuente protegida con un dispositivo diferencial residual (DDR).** El uso de un dispositivo diferencial residual reduce el riesgo de descarga eléctrica.

3. Seguridad personal

- a. **Esté atento a lo que hace y emplee la herramienta eléctrica con prudencia. No maneje una herramienta eléctrica cuando esté cansado o bajo los efectos de drogas, medicamentos o alcohol.** Un momento de falta de atención cuando se manejan las herramientas eléctricas puede ocasionar lesiones personales graves.
- b. **Utilice un equipo de protección personal. Utilice siempre protección ocular.** El uso del equipo protector como mascarillas antipolvo, calzado antideslizante, casco o protección auditiva para condiciones apropiadas reducirá las lesiones personales.
- c. **Impida que la herramienta se ponga en marcha accidentalmente. Asegúrese de que el interruptor se encuentre en la posición de apagado antes de conectar la herramienta a la fuente de alimentación o a la batería, o de coger o transportar la herramienta.** Transportar herramientas eléctricas con el dedo puesto en el interruptor o herramientas eléctricas activadoras que tengan el interruptor encendido puede provocar accidentes.
- d. **Retire las herramientas de ajuste o llaves fijas antes de encender la herramienta eléctrica.** Dejar una llave inglesa u otra llave puesta en una pieza en movimiento de la herramienta eléctrica puede ocasionar lesiones personales.
- e. **Sea precavido. Mantenga un equilibrio adecuado y la estabilidad constantemente.** Esto permite un mejor control de la herramienta eléctrica en situaciones inesperadas.

- f. **Lleve puesta una vestimenta de trabajo adecuada. No se ponga ropa suelta o joyas. Mantenga el cabello, la ropa y los guantes alejados de las piezas en movimiento.** La ropa suelta, las joyas y el pelo largo pueden quedar atrapados en las piezas en movimiento.
- g. **Siempre que sea posible utilizar unos equipos de aspiración o captación de polvo, asegúrese de que estén montados y de se utilicen correctamente.** El uso de equipo de recogida de polvo puede reducir los riesgos relacionados con el polvo.

4. Uso y cuidado de herramientas eléctricas

- a. **No sobrecargue la herramienta eléctrica. Use la herramienta eléctrica correcta para su trabajo.** La herramienta eléctrica correcta funcionará mejor y con mayor seguridad si se utiliza de acuerdo con sus características técnicas.
- b. **No utilice la herramienta eléctrica si no se puede encender y apagar con el interruptor.** Toda herramienta eléctrica que no pueda controlarse con el interruptor es peligrosa y debe ser reparada.
- c. **Desconecte el enchufe de la herramienta eléctrica de la fuente de alimentación y/o la batería antes de realizar cualquier ajuste, cambiar accesorios o guardar la herramienta.** Dichas medidas de seguridad preventivas reducen el riesgo de poner en marcha accidentalmente la herramienta eléctrica.
- d. **Guarde las herramientas eléctricas fuera del alcance de los niños y no permita que la utilicen las personas no familiarizadas con su uso o con estas instrucciones.** Las herramientas eléctricas son peligrosas en manos de personas no capacitadas.
- e. **Realice el mantenimiento de sus herramientas eléctricas. Controle si funcionan correctamente, sin atascarse, las partes móviles de la herramienta eléctrica, y si existen partes rotas o deterioradas que pudieran afectar al funcionamiento de la herramienta. Si la herramienta eléctrica está dañada, llévela para que sea reparada antes de utilizarla.** Se ocasionan muchos accidentes por el mal mantenimiento de las herramientas eléctricas.
- f. **Mantenga las herramientas de corte limpias y afiladas.** Hay menos probabilidad de que las herramientas de cortar con bordes afilados se bloqueen, y son más fáciles de controlar.
- g. **Utilice la herramienta eléctrica, los accesorios, los útiles de la herramienta, etc. de acuerdo con estas instrucciones, y tenga en cuenta las condiciones de trabajo y la tarea que va a realizar.** El uso de la herramienta eléctrica para operaciones que no sean las previstas puede ocasionar una situación peligrosa.

5. Reparaciones

- a. **Esta herramienta eléctrica solo la puede reparar personal técnico autorizado que emplee exclusivamente piezas de repuesto originales.** Así se asegurará que se mantenga la seguridad de la herramienta eléctrica.

Advertencias de seguridad adicionales para herramientas eléctricas



Advertencia. Advertencias de seguridad adicionales para operaciones de amolado, lijado, cepillado, pulido o corte abrasivo:

- ◆ **Esta herramienta eléctrica ha sido concebida para funcionar como amoladora, lijadora, pulidora o herramienta de corte. Lea todas las advertencias de seguridad, instrucciones, ilustraciones y especificaciones suministradas con esta herramienta eléctrica.** El incumplimiento de las instrucciones que se indican a continuación puede causar descargas eléctricas, incendios y/o lesiones graves.
- ◆ **Se recomienda no utilizar esta herramienta eléctrica para operaciones de pulido o corte.** Su uso para operaciones para las que la herramienta no ha sido diseñada puede ocasionar peligro y lesiones personales.
- ◆ **No utilice accesorios que no estén diseñados y recomendados específicamente por el fabricante de la herramienta.** El hecho de que el accesorio pueda acoplarse a la herramienta eléctrica no garantiza un funcionamiento sin riesgos.
- ◆ **La velocidad nominal del accesorio debe ser como mínimo igual a la velocidad máxima marcada en la herramienta eléctrica.** Los accesorios que funcionen más rápido que la velocidad nominal pueden romperse y salir volando.
- ◆ **El diámetro exterior y el espesor del accesorio deben encontrarse dentro de los límites de la capacidad nominal de la herramienta eléctrica.** Los accesorios con un tamaño incorrecto no pueden protegerse o controlarse adecuadamente.
- ◆ **El montaje de accesorios con rosca debe coincidir con el hilo del eje de la amoladora. Para los accesorios instalados por bridas, el orificio del eje del accesorio debe adaptarse al diámetro de la brida.** Los accesorios que no se corresponden con las piezas de montaje de la herramienta eléctrica se desequilibrarán, vibrarán excesivamente y pueden causar pérdida de control.

- ◆ **No utilice un accesorio dañado.** Antes de cada uso inspeccione los accesorios, por ejemplo, los discos abrasivos, para verificar si tiene muescas o grietas; el plato portadiscos, para verificar si tiene grimas o roturas o si está muy desgastado, y el cepillo de metal, para verificar si tiene alambres sueltos o quebrados. Si la herramienta eléctrica o un accesorio se caen, compruebe que no estén dañados y, en su caso, instale un accesorio no dañado. Después de inspeccionar e instalar un accesorio, haga funcionar la herramienta eléctrica a la velocidad sin carga máxima durante un minuto. Por lo general, los accesorios dañados se rompen durante la prueba.
 - ◆ **Utilice material de protección personal.** Dependiendo de la aplicación, use un protector facial y gafas protectoras. Si corresponde, póngase una mascarilla antipolvo, protectores para el oído, guantes y un delantal de trabajo que pueda detener pequeños fragmentos abrasivos o de la pieza de trabajo. La protección ocular debe poder detener las partículas volantes que se producen con las diferentes operaciones. La mascarilla contra el polvo o el respirador deben ser capaces de filtrar las partículas generadas por el trabajo. La exposición prolongada al ruido de intensidad elevada puede causar pérdida auditiva.
 - ◆ **Mantenga a otras personas a una distancia de seguridad de la zona de trabajo.** Todos los que entren al área de trabajo deben llevar puesto un equipo de protección personal. Los fragmentos de una pieza de trabajo o de un accesorio roto pueden salir volando y ocasionar una lesión mas allá del área inmediata de operación.
 - ◆ **Sostenga la herramienta eléctrica exclusivamente por las superficies de agarre aisladas cuando realice una operación en la que el accesorio de corte pueda entrar en contacto con un cable oculto o con su propio cable.** El contacto de los accesorios de corte con un cable "cargado", puede cargar las partes metálicas expuestas de la herramienta eléctrica y producir una descarga eléctrica al operador.
 - ◆ **Utilice fijaciones u otro tipo de método para fijar y apoyar la pieza de trabajo en una plataforma estable.** Si sostiene la pieza de trabajo con las manos o contra su cuerpo, esta quedará inestable y puede hacerle perder el control.
 - ◆ **Coloque el cable lejos del accesorio giratorio.** Si pierde el control, el cable puede cortarse o engancharse y puede arrastrar a la mano o el brazo hacia el accesorio giratorio.
 - ◆ **No apoye la herramienta eléctrica hasta que el accesorio se haya parado por completo.** El accesorio giratorio puede agarrarse a la superficie y hacer que usted pierda el control de la herramienta.
 - ◆ **No ponga en funcionamiento la herramienta eléctrica mientras la transporte.** El contacto accidental con el accesorio giratorio podría hacer que se enganche la ropa y que el accesorio le toque el cuerpo.
 - ◆ **Limpie periódicamente los orificios de ventilación de la herramienta eléctrica.** El ventilador del motor atraerá el polvo dentro de la caja protectora y la acumulación excesiva del metal en polvo puede ocasionar riesgos eléctricos.
 - ◆ **No utilice la herramienta eléctrica cerca de materiales inflamables.** Las chispas pueden encender estos materiales.
 - ◆ **No utilice accesorios que requieran líquidos refrigerantes.** El utilizar agua u otros refrigerantes líquidos puede ocasionar electrocución o descarga.
- Nota:** La advertencia anterior no afecta a las herramientas eléctricas diseñadas específicamente para ser utilizadas con un sistema de líquidos.
- Retroceso y advertencias relacionadas**
- El rebote es una reacción repentina al quedar enganchados o atrapados un disco, plato portadiscos, cepillo u otro accesorio móvil. El enganche o atrapamiento hace que el accesorio giratorio se paralice rápidamente, lo que a su vez puede provocar que la herramienta eléctrica sin control funcione en dirección opuesta a la rotación del accesorio en el punto de bloqueo.
- Por ejemplo, si un disco abrasivo se engancha o queda presionado por la pieza de trabajo, el borde de el disco que entra en el punto de presión puede incrustarse en la superficie del material ocasionando que el disco se salga o se trabe. El disco puede saltar hacia el usuario o en otra dirección, dependiendo de la dirección del movimiento del disco en el punto de enganche.
- Los discos abrasivos también pueden romperse en estas condiciones.
- El retroceso se debe a la utilización inadecuada o a procedimientos o condiciones de trabajo incorrectos y puede evitarse tomando las precauciones que se detallan a continuación.
- ◆ **Sujete firmemente la empuñadura de la herramienta eléctrica y coloque el cuerpo y el brazo de modo que pueda soportar los retrocesos.** Utilice siempre una empuñadura auxiliar, si se incluye, para obtener un máximo control sobre el retroceso o reacción de torsión durante el arranque.

Si se toman las precauciones adecuadas, el usuario puede controlar las reacciones de torsión o retrocesos.

- ◆ **Nunca coloque la mano cerca de un accesorio giratorio.** El accesorio puede rebotarle en la mano.
- ◆ **No coloque el cuerpo en el área en la que la herramienta eléctrica se moverá si se produce un retroceso.** El contragolpe impulsará la herramienta en dirección opuesta al movimiento del disco en el punto de enganche.
- ◆ **Tenga especial cuidado cuando trabaje en zonas con esquinas, bordes afilados, etc. Evite que el accesorio rebote o se enganche.**
Las esquinas, los bordes afilados o los rebotes suelen enganchar el accesorio en movimiento y ocasionar pérdida de control o tensión de retroceso.
- ◆ **No coloque una hoja de desbastar de motosierra ni una hoja de sierra dentada.** Dichas hojas ocasionan frecuentes contragolpes y pérdida de control de la herramienta.

Advertencias de seguridad específicas para operaciones de amolado y de corte abrasivo

- ◆ **Utilice solo los tipos de discos recomendados para la herramienta eléctrica y el protector específico diseñado para el disco seleccionado.** Los discos que no han sido diseñados para la herramienta eléctrica no pueden protegerse adecuadamente y no son seguros.
- ◆ **La superficie de amolado de los discos con centro hundido debe montarse por debajo del plano del labio del protector.** Un disco instalado incorrectamente que se proyecta fuera del plano del borde del protector no puede protegerse correctamente.
- ◆ **El protector debe acoplarse de forma segura a la herramienta eléctrica y posicionarse para brindar la máxima seguridad posible, de forma tal que quede la menor cantidad de disco expuesta en dirección al usuario.** El protector ayuda a proteger al operador de fragmentos de disco roto y del contacto accidental con el disco y las chispas que podrían incendiar la ropa.
- ◆ **Los discos se deben utilizar únicamente para los usos recomendados. Por ejemplo, no amole con el lado de un disco de corte.** Los discos de corte abrasivo están previstos para el amolado periférico, y si se aplican fuerzas laterales a estos discos pueden causar la rotura de los mismos.
- ◆ **Utilice siempre bridas de discos que no estén dañadas y del tamaño y forma correctos para el disco seleccionado.** Las bridas de disco apropiadas sirven de soporte para el disco, reduciendo así la posibilidad de rotura del mismo. Las bridas de los discos de corte pueden ser diferentes de las bridas de los discos para amolado.

- ◆ **No utilice discos desgastados de herramientas eléctricas de mayor tamaño.** Un disco diseñado para una herramienta eléctrica más grande no es adecuado para la mayor velocidad de una herramienta más pequeña y puede explotar.

Advertencias de seguridad adicionales para operaciones de corte abrasivas

- ◆ **No bloquee el disco de corte ni aplique una presión excesiva sobre este. No intente hacer un corte de profundidad excesiva.** Una presión excesiva sobre el disco puede aumentar la carga y la posibilidad de que el disco se doble o se bloquee durante el corte, además de aumentar la probabilidad de que se produzcan retrocesos o roturas del disco.
- ◆ **No coloque su cuerpo en línea con el disco giratorio ni detrás de él.** Durante el funcionamiento, cuando el disco se aleje de su cuerpo, un posible retroceso podría impulsar el disco giratorio y la herramienta eléctrica directamente hacia usted.
- ◆ **Si el disco se bloquea o si, por algún motivo, se interrumpe el corte, desconecte la herramienta y no la mueva hasta que el disco se haya detenido por completo. No intente nunca sacar del corte el disco de corte mientras este esté en movimiento, de lo contrario puede ocurrir un rebote.** Investigue y tome medidas correctivas para eliminar la causa del trabado del disco.
- ◆ **No reinicie la operación de corte en la pieza de trabajo. Espere a que el disco alcance la velocidad máxima y vuelva a introducirlo en el corte con cuidado.** El disco puede bloquearse, saltar o rebotar si la herramienta eléctrica vuelve a ponerse en marcha en la pieza de trabajo.
- ◆ **Apoye los paneles o cualquier otra pieza de trabajo de tamaño grande para minimizar el riesgo de presión o rebote del disco.** Las piezas de trabajo grandes tienden a hundirse por su propio peso. Se deben colocar soportes bajo la pieza de trabajo cerca de la línea de corte y cerca del borde de la pieza de trabajo a ambos lados del disco.
- ◆ **Adopte medidas de precaución extraordinarias cuando efectúe un “corte de cavidad” en muros u otras zonas ciegas.** Si el disco sobresale puede cortar las tuberías de gas o de agua, la instalación eléctrica u objetos que pueden ocasionar un rebote.

Advertencias de seguridad específicas para operaciones de lijado

- ◆ **No utilice papel de lija para el disco demasiado grande. Siga las recomendaciones del fabricante a la hora de seleccionar el papel de lija.**

El papel de lija grande que sobresalga del disco de lijado presenta un riesgo de laceración y puede ocasionar el enganche o rotura del disco o un rebote.

Advertencias de seguridad específicas para operaciones de cepillado metálico

- ◆ **Tenga en cuenta que el cepillo expulsa cerdas metálicas incluso durante las operaciones normales. No ejerza demasiada presión en los alambres aplicando una carga excesiva a la escobilla.** Las cerdas de alambre pueden penetrar fácilmente la ropa ligera o la piel.
- ◆ **Si es recomendable el uso de un protector para el cepillo metálico, no permita que dicho protector interfiera con el disco o el cepillo.** El disco o el cepillo de alambre puede expandir su diámetro debido a la carga de trabajo y a los movimientos centrífugos.

Seguridad de otras personas

- ◆ Este aparato no está destinado al uso por parte de personas (incluyendo los niños) con capacidades físicas, sensoriales o mentales reducidas, o que carezcan de experiencia o del conocimiento necesario, a menos que estén supervisadas o reciban las instrucciones relativas al uso del aparato por una persona encargada de su seguridad.
- ◆ Los niños deben vigilarse en todo momento para garantizar que el aparato no se tome como elemento de juego.

Riesgos residuales

El uso de esta herramienta puede producir riesgos residuales adicionales no incluidos en las advertencias de seguridad adjuntas.

Estos riesgos se pueden generar por un uso incorrecto, demasiado prolongado, etc.

El cumplimiento de las normas de seguridad correspondientes y el uso de dispositivos de seguridad no evitan ciertos riesgos residuales. Dichos riesgos incluyen:

- ◆ Lesiones producidas por el contacto con piezas móviles o giratorias.
- ◆ Lesiones producidas al cambiar cualquier pieza, hoja o accesorio.
- ◆ Lesiones producidas por uso prolongado de una herramienta. Si utiliza una herramienta durante períodos de tiempo demasiado prolongados, asegúrese de realizar pausas con frecuencia.
- ◆ Deterioro auditivo.
- ◆ Riesgos para la salud causados por la respiración del polvo generado por el uso de la herramienta (por ejemplo, al trabajar con madera, especialmente roble, haya o tablero semiduro de fibras).

Vibración

Los valores de emisión de vibraciones declarados en el apartado de características técnicas y en la declaración de conformidad se han calculado según un método de prueba estándar proporcionado por la norma EN 60745 y podrán utilizarse para comparar una herramienta con otra. El valor de emisión de vibraciones especificado también puede utilizarse en una evaluación preliminar de la exposición.

Advertencia. El valor de emisión de vibraciones durante el funcionamiento real de la herramienta eléctrica puede diferir del valor declarado en función de cómo se utilice dicha herramienta. El nivel de las vibraciones puede aumentar por encima del nivel declarado.

Al evaluar la exposición a las vibraciones con el fin de determinar las medidas de seguridad que exige la directiva 2002/44/CE para proteger a las personas que utilizan periódicamente herramientas eléctricas en el entorno laboral, deberá tenerse en cuenta una estimación de la exposición a las vibraciones, las condiciones de uso reales y el modo de empleo de la herramienta, así como los pasos del ciclo operativo como, por ejemplo, el número de veces que la herramienta se apaga, el tiempo que está parada y el tiempo de activación.

Etiquetas en la herramienta

Los siguientes pictogramas están colocados, junto al código, en la herramienta:



Advertencia. Para reducir el riesgo de lesiones, el usuario debe leer el manual de instrucciones.



Cuando utilice la herramienta, lleve siempre gafas protectoras.



Cuando utilice la herramienta, utilice siempre protección para los oídos

Seguridad eléctrica



El cargador presenta un aislamiento doble; por lo tanto, no se requiere conexión a tierra. Compruebe siempre que el voltaje de la red eléctrica corresponda al valor indicado en la placa de características.

- ◆ Si se daña el cable de alimentación, debe ser sustituido por el fabricante o en un centro de asistencia técnica autorizado de Stanley Fat Max para evitar cualquier situación de riesgo.

Caídas de tensión

Las corrientes irruptoras provocan caídas de tensión de corta duración.

En condiciones de suministro de alimentación desfavorables, es posible que otros equipos se vean afectados. Si la impedancia del sistema de suministro de alimentación es inferior a 0,107 Ω , es poco probable que se produzcan perturbaciones

Características

Esta herramienta incluye parte o la totalidad de estas características.

1. Interruptor de encendido/apagado
2. Bloqueo del eje
3. Barra de protección
4. Empuñadura lateral

Ensamblaje

Advertencia. Antes de proceder al montaje, compruebe que la herramienta está apagada y desenchufada.

Ajuste y desmontaje del protector (Fig. A)

La herramienta se suministra con un protector que está especialmente diseñado para realizar trabajos de amolado (tipo 27). Si la unidad está diseñada para realizar trabajos de corte, debe incluir un protector específico para este trabajo (tipo 41). Los protectores apropiados con los números de pieza N551980 (para discos de corte de 115 mm) y N542445 (para discos de corte de 125 mm) están disponibles y pueden adquirirse en los centros de servicio de Stanley Fat Max.

Colocación

- ◆ Coloque la herramienta encima de una mesa con el eje (4) mirando hacia arriba.
- ◆ Libere el bloqueo de sujeción (5) y mantenga el protector (3) sobre la herramienta tal como se indica.
- ◆ Alinee los salientes (6) con las muescas (7).
- ◆ Apriete el protector hacia abajo y gírelo en el sentido contrario a las agujas del reloj hasta la posición indicada.
- ◆ Sujete el bloqueo de sujeción (5) y asegure el protector en la herramienta.
- ◆ Si es necesario, apriete el tornillo (8) para aumentar la fuerza de sujeción.

Extracción

- ◆ Libere el bloqueo de sujeción (5).
- ◆ Gire el protector en el sentido de las agujas del reloj para alinear los salientes (6) con las muescas (7).
- ◆ Retire el protector de la herramienta.

Advertencia. Nunca utilice la herramienta sin el protector.

Colocación de la empuñadura lateral

- ◆ Atornille la empuñadura lateral (4) en uno de los orificios de montaje de la herramienta.

Advertencia. Utilice siempre la empuñadura lateral.

Colocación y extracción de los discos de amolado

(Fig. B - D)

Utilice siempre el tipo de disco adecuado para cada aplicación. Utilice siempre discos con el diámetro y tamaño del diámetro interior adecuados (consulte la ficha técnica).

Colocación

- ◆ Coloque el protector como se ha descrito anteriormente.
- ◆ Coloque la brida interior (9) en el eje (4) tal y como se indica (Fig. B). Asegúrese de que la brida está colocada correctamente en las superficies planas del eje.
- ◆ Coloque el disco (10) en el eje (4) tal y como se indica (Fig. B). Si el disco tiene un centro abollonado (11), asegúrese de que dicho centro está orientado hacia la brida interior.
- ◆ Asegúrese de que el disco esté colocado correctamente en la brida interior.
- ◆ Coloque la brida exterior (12) en el eje. Cuando se coloca un disco de amolado, el centro abollonado de la brida exterior debe estar orientado hacia el disco (A en Fig. C). Cuando se coloca un disco de corte, el centro abollonado de la brida exterior debe mirar hacia el sentido contrario del disco (B en Fig. C).
- ◆ Mantenga presionado el bloqueo del eje (2) y apriete la brida exterior utilizando la llave de dos pivotes (13) (Fig. D).

Extracción

- ◆ Mantenga presionado el bloqueo del eje (2) y afloje la brida exterior (12) utilizando la llave de dos pivotes (13) (Fig. D).
- ◆ Extraiga la brida exterior (12) y el disco (10).

Amolado de superficies con discos para amolar

- ◆ Deje que la herramienta alcance la velocidad máxima antes de ponerla en contacto con la superficie de trabajo.
- ◆ Aplique la presión mínima sobre la superficie de trabajo y deje que la herramienta funcione a alta velocidad. La velocidad de amolado será mayor cuando la herramienta opere a mayor velocidad.
- ◆ Mantenga un ángulo de 20 a 30 grados entre la herramienta y la superficie de trabajo, como se muestra en la figura F.
- ◆ Mueva continuamente la herramienta hacia delante y hacia atrás para evitar crear arañazos profundos en la superficie de trabajo.
- ◆ Retire la herramienta de la superficie de trabajo antes de apagarla. Deje que la herramienta deje de girar antes de apagarla.

Amolado de bordes con discos para amolar

Los discos que se utilizan para cortar y amolar bordes podrían romperse o rebotar si se doblan o se giran mientras se utiliza la herramienta para realizar tareas de corte o amolado profundo. El corte o amolado de bordes con el disco de tipo 27 debe limitarse a los cortes superficiales y entalladuras de menos de 13 mm de profundidad cuando el disco es nuevo. Reduzca la profundidad de corte o entalladura proporcionalmente a la reducción del radio del disco a medida que se desgasta. Consulte el capítulo 'Accesorio de amolado y corte' al final de este manual para más información. El corte o amolado de bordes con el disco de tipo 41 requiere el uso de un protector de tipo 41.

- ◆ Deje que la herramienta alcance la velocidad máxima antes de ponerla en contacto con la superficie de trabajo.
- ◆ Aplique la presión mínima sobre la superficie de trabajo y deje que la herramienta funcione a alta velocidad. La velocidad de amolado será mayor cuando la herramienta opere a mayor velocidad.
- ◆ Colóquese de forma que la parte inferior abierta del disco esté dirigida en sentido contrario a usted.
- ◆ Una vez que empiece el corte y entalle la pieza de trabajo, no cambie el ángulo de corte. Si cambia el ángulo, el disco se doblará y es posible que se parta. Los discos para amolado de bordes no han sido diseñados para soportar presiones laterales causadas por doblados.
- ◆ Retire la herramienta de la superficie de trabajo antes de apagarla. Deje que la herramienta deje de girar antes de apoyarla.

Advertencia. Ni use discos de amolado o corte de bordes para trabajos de amolado de superficies si la etiqueta del disco prohíbe tal uso pues estos discos no han sido diseñados para las presiones laterales que se producen en el amolado de superficies. El disco podría romperse y causar lesiones personales graves.

Colocación y extracción de los discos de lijado (Figs. D y E)

Es necesario un plato de apoyo para el lijado. El plato de apoyo está disponible en su distribuidor de Stanley Fat Max como accesorio.

Colocación

- ◆ Coloque la brida interior (9) en el eje (4) tal y como se indica (Fig. E). Asegúrese de que la brida está colocada correctamente en las superficies planas del eje.
- ◆ Coloque el plato de apoyo (14) en el eje.
- ◆ Coloque el disco de lijado (15) en el plato de apoyo.
- ◆ Coloque la brida exterior (12) en el eje, con el centro abollonado en dirección hacia el exterior del disco.
- ◆ Mantenga presionado el bloqueo del eje (2) y apriete la brida exterior utilizando la llave de dos pivotes (13) (Fig. D).

Asegúrese de que la brida exterior está colocada correctamente y que el disco está sujeto firmemente.

Extracción

- ◆ Mantenga presionado el bloqueo del eje (2) y afloje la brida exterior (12) utilizando la llave de dos pivotes (13) (Fig. D).
- ◆ Extraiga la brida exterior (12), el disco de lijado (15) y el plato de apoyo (14).

Acabado de superficies con discos de lijado

- ◆ Deje que la herramienta alcance la velocidad máxima antes de ponerla en contacto con la superficie de trabajo.
- ◆ Aplique una presión mínima sobre la superficie de trabajo, dejando que la herramienta funcione a alta velocidad. La velocidad de lijado será mayor cuando la herramienta opere a mayor velocidad.
- ◆ Mantenga un ángulo de 5° a 10° entre la herramienta y la superficie de trabajo, como se muestra en la figura G.
- ◆ Mueva continuamente la herramienta hacia delante y hacia atrás para evitar crear arañazos profundos en la superficie de trabajo.
- ◆ Retire la herramienta de la superficie de trabajo antes de apagarla. Deje que la herramienta deje de girar antes de apoyarla.

Uso de platos de apoyo de lijado

Elija los discos de lijado de grano adecuado para su aplicación. Los discos de lijado se encuentran disponibles con varios granos. Los granos más gruesos remueven más rápido el material y dan un acabado más rústico. Los granos más finos remueven más lentamente el material y dan un acabado más fino. Empezar con discos de grano duro para retirar el material de forma rápida y rústica. Cambie a una lija de grano mediano y termine con un disco de grano fino para lograr un acabado óptimo.

- ◆ Rústico = grano 16 - 30.
- ◆ Medio = grano 36 - 80.
- ◆ Acabado fino = grano 100 - 120.
- ◆ Acabado muy fino = grano 150 - 180.
- ◆ Deje que la herramienta alcance la velocidad máxima antes de ponerla en contacto con la superficie de trabajo.
- ◆ Aplique una presión mínima sobre la superficie de trabajo, dejando que la herramienta funcione a alta velocidad. La velocidad de lijado será mayor cuando la herramienta opere a mayor velocidad.
- ◆ Mantenga un ángulo de 5° a 10° entre la herramienta y la superficie de trabajo, como se muestra en la figura H. El disco de lijado deben tocar aproximadamente 25 mm de la superficie de trabajo.
- ◆ Mueva la herramienta constantemente en línea recta para evitar que la superficie de trabajo se queme o se doble.

Si deja que la herramienta permanezca en la superficie de trabajo sin moverla o si mueve la herramienta de forma circular, provocará quemaduras y torcidos en la superficie de trabajo.

- ◆ Retire la herramienta de la superficie de trabajo antes de apagarla. Deje que la herramienta deje de girar antes de apoyarla.

Precauciones a adoptar al lijar pintura

- ◆ El lijado de pintura a base de plomo **NO SE RECOMIENDA** debido a la dificultad de controlar el polvo contaminado. Los niños y las mujeres embarazadas están más expuestos al riesgo de intoxicación por plomo.
- ◆ Como resulta difícil identificar si una pintura incluye o no plomo si no se efectúan análisis químicos, le aconsejamos que adopte las siguientes precauciones a la hora de lijar cualquier pintura:
 - ◆ Ningún niño ni mujer embarazada deberá acceder a la zona de trabajo cuando se realice el lijado de pintura, hasta que se haya finalizado su limpieza.
 - ◆ Todas las personas que accedan a la zona de trabajo deberán llevar una máscara de protección anti polvo o un respirador. El filtro deberá sustituirse a diario o cuando resulte difícil respirar.

Nota: Tan sólo deberá utilizar las máscaras antipolvo adecuadas para trabajar con polvo y humos derivados de la pintura a base de plomo. Las máscaras de pintura ordinarias no ofrecen esta protección. Consulte en su ferretería cuál es la máscara correcta y homologada.

- ◆ **NO INGIERA ALIMENTOS O BEBIDAS NI FUME** en la zona de trabajo para evitar ingerir partículas de pintura contaminadas. Los trabajadores deberán lavarse y limpiarse ANTES de comer, beber o fumar. Los artículos de comidas, bebidas o tabaco no deberán dejarse en la zona de trabajo ya que podrá depositarse polvo en los mismos.
- ◆ Deberá retirar la pintura en modo de reducir al máximo la cantidad de polvo emitido.
- ◆ Las zonas en las que se retire la pintura deberán sellarse con hojas de plástico de 4 mm de espesor.
- ◆ El lijado deberá realizarse de forma tal que se reduzca el arrastre de polvo de pintura fuera de la zona de trabajo.
- ◆ Todas las superficies de la zona de trabajo deberán ser aspiradas y limpiadas totalmente todos los días durante el periodo del proyecto de lijado. Las bolsas de filtros de aspiradoras deberán cambiarse frecuentemente.
- ◆ Los protectores de plástico deberán recogerse y eliminarse junto con los demás restos de polvo u otros restos de pintura. Deberán colocarse en recipientes de desecho sellados y eliminarse utilizando los procedimientos de recogida de residuo habituales.

Durante la limpieza, los niños y las mujeres embarazadas deberán mantenerse alejados de la zona de trabajo.

- ◆ Todos los juguetes, muebles y utensilios lavables utilizados por los niños deberán limpiarse completamente antes de volver a ser utilizados.

Montaje y uso de los cepillos y discos de alambre

Los cepillos de alambre tipo taza o los discos de alambre se atornillan directamente en el eje de la amoladora sin usar bridas. b. Se requiere un protector de Tipo 27 cuando se usan cepillos y discos de alambre. Use guantes de trabajo cuando manipule cepillos y discos de alambre. Pueden estar afiladas. El disco o el cepillo no deben tocar el protector cuando se instalan o cuando están en uso. Pueden producirse daños no detectables en el accesorio que causen la rotura de los alambres del disco o del accesorio.

- ◆ Enrosque el disco en el eje manualmente.
- ◆ Pulse el botón de bloqueo del eje y utilice una llave en el cubo del disco o del cepillo de alambre para apretar el disco.
- ◆ Para retirar el disco, invierta las instrucciones indicadas previamente.

Advertencia. Si no asienta correctamente el cubo del disco antes de encender la herramienta podrá provocar daños a la herramienta y al disco.

Los discos y cepillos metálicos pueden utilizarse para retirar óxido, sarro y pintura, y para uniformar las superficies irregulares.

Nota: Deben tomarse las mismas precauciones al retirar la pintura con cepillo de alambre que al lijlarla.

- ◆ Deje que la herramienta alcance la velocidad máxima antes de ponerla en contacto con la superficie de trabajo.
- ◆ Aplique una presión mínima sobre la superficie de trabajo, dejando que la herramienta funcione a alta velocidad. La velocidad de retirada del material será mayor cuando la herramienta opere a mayor velocidad.
- ◆ Mantenga un ángulo de 5° a 10° entre la herramienta y la superficie de trabajo para cepillos de alambre tipo taza, como se muestra en la figura I.
- ◆ Mantenga el contacto entre el borde del disco y la superficie de trabajo los discos de alambre.
- ◆ Mueva continuamente la herramienta hacia delante y hacia atrás para evitar crear arañazos profundos en la superficie de trabajo. Si deja que la herramienta permanezca en la superficie de trabajo sin moverla o si mueve la herramienta de forma circular, provocará quemaduras y torcidos en la superficie de trabajo.
- ◆ Retire la herramienta de la superficie de trabajo antes de apagarla. Deje que la herramienta deje de rotar antes de colocarla a un lado.

Advertencia. Preste especial atención cuando opere sobre un borde, ya que podrá registrar un movimiento repentino y afilado de la amoladora.

Montaje y uso de los discos de corte (Tipo 41)

Los discos de corte incluyen discos de diamante y discos abrasivos. Se encuentran disponibles discos de corte abrasivo para metales y hormigón. También pueden utilizarse cuchillas de diamante para el corte de hormigón.

NOTA: Cuando utilice discos de corte, necesitará un protector de disco de corte de dos caras y cerrado de tipo 41 que se vende por separado. Si no utiliza la brida adecuada y el protector adecuado, pueden causarse lesiones por la rotura del disco y el contacto con el disco.

Para los discos de corte deberá utilizar una brida de soporte y una tuerca de fijación roscada (incluida con la herramienta) que coincidan.

Montaje del protector cerrado (Tipo 41) (Fig. J, K, L)

- ◆ Alinee los tres salientes del protector (7) con las 3 ranuras del cubo. Así alineará los salientes con las ranuras ubicadas de la cubierta de la caja de transmisión como se muestra en la figura J.
- ◆ Empuje el protector hacia abajo hasta que la saliente del protector encaje en la ranura del cubo de la caja de transmisión, como se muestra en la figura K.
- ◆ Gire el protector (7) en sentido antihorario para trabarlo en su posición. El cuerpo del protector deberá estar ubicado entre el eje y el operador para ofrecer la máxima protección al operador, como se muestra en la figura L.
- ◆ Apriete el enganche del protector para fijar el protector en la tapa de la caja de transmisión. Debe poder girar el protector a mano. No utilice la amoladora si tiene el protector flojo.
- ◆ Para extraer el protector, afloje el tornillo del enganche del protector. Gire el protector para que los tres saliente del protector (7) queden alineados con las tres ranuras del cubo y tire del protector.

Montaje de discos de corte

- ◆ Coloque la brida de soporte no roscada sobre el eje con la sección abollonada (piloto) mirando hacia arriba. La sección abollonada (piloto) de la brida de soporte deberá estar contra el disco cuando se haya instalado el disco.
- ◆ Coloque el disco sobre la brida de soporte, centrándolo en la sección abollonada (piloto).
- ◆ Coloque la tuerca de fijación roscada con la sección abollonada (piloto) mirando en el sentido contrario del disco.
- ◆ Pulse el botón de bloqueo del eje y apriete el perno de fijación con la llave incluida.

- ◆ Para sacar el disco, pulse el botón de bloqueo del eje y afloje la tuerca de fijación roscada con la llave suministrada.

Advertencia. No utilice discos de corte/amolado de bordes para las aplicaciones de amolado superficial, ya que dichos discos no han sido diseñados para soportar presiones laterales derivadas del corte de superficie. Pueden producirse roturas de los discos y daños personales.

- ◆ Deje que la herramienta alcance la velocidad máxima antes de ponerla en contacto con la superficie de trabajo.
- ◆ Aplique la presión mínima sobre la superficie de trabajo dejando que la herramienta funcione a alta velocidad. La velocidad de corte será mayor cuando la herramienta opere a mayor velocidad.
- ◆ Una vez que empiece el corte y entalle la pieza de trabajo, no cambie el ángulo de corte. Si cambia el ángulo, el disco se doblará y es posible que se parta.
- ◆ Retire la herramienta de la superficie de trabajo antes de apagarla. Deje que la herramienta deje de rotar antes de colocarla a un lado.

Uso

Advertencia. Deje que la herramienta funcione a su ritmo. No la sobrecargue.

- ◆ Guíe el cable con cuidado para evitar cortarlo accidentalmente.
- ◆ Tenga en cuenta que se pueden producir chispas cuando el disco de amolado o de corte entre en contacto con la pieza de trabajo.
- ◆ Coloque siempre la herramienta de tal forma que el protector proporcione la máxima protección del disco de amolado o de corte.

Encendido y apagado

- ◆ Para encender la herramienta, pulse el interruptor de encendido/apagado (1).
- ◆ Para apagar la herramienta, suelte el interruptor de encendido/apagado (1).

Advertencia. No apague la herramienta cuando esta tenga carga.

Consejos para un uso óptimo

- ◆ Sujete firmemente la herramienta con una mano alrededor de la empuñadura lateral y con la otra mano alrededor de la empuñadura principal.
- ◆ Al amolar, mantenga siempre un ángulo de aproximadamente 15° entre el disco y la superficie de la pieza de trabajo.

Mantenimiento

Este aparato o herramienta con o sin cable de Stanley FatMax ha sido diseñado para funcionar durante un largo periodo de tiempo con un mantenimiento mínimo.

El funcionamiento satisfactorio y continuo depende del buen cuidado de la herramienta y de una limpieza frecuente.

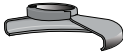
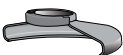
Advertencia. Antes de realizar el mantenimiento de herramientas eléctricas con o sin cables:











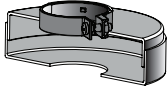
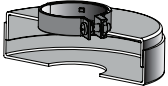


- ◆ Apague y desenchufe el aparato o herramienta.
- ◆ O apague y extraiga la batería del aparato o herramienta si este cuenta con una batería independiente.
- ◆ O, en caso de batería integrada, agótelas por completo y, a continuación, apague la herramienta.
- ◆ Desenchufe el cargador antes de limpiarlo. El cargador no requiere ningún mantenimiento especial excepto la limpieza periódica.
- ◆ Limpie periódicamente las ranuras de ventilación de la herramienta, aparato o cargador con un cepillo suave o un paño seco.
- ◆ Limpie periódicamente la carcasa del motor con un paño húmedo. No utilice limpiadores abrasivos o a base de disolventes.
- ◆ Abra periódicamente el mandril y golpéelo suavemente para eliminar los restos de polvo que contenga en su interior (si se encuentra colocado).



Resolución de problemas

Problema	Causa posible	Posible solución
La unidad no arranca.	Cable no enchufado. El cable o el interruptor están dañados.	Enchufe la herramienta en una toma de corriente que funcione. Haga sustituir el cable o el interruptor en un centro de servicios de Stanley Fat Max o un centro de servicios autorizado.

Tabla de accesorios de corte y amolado

Discos de amolado de 115 mm	
	
Protector tipo 27	Protector tipo 27

		
Brida de soporte no roscada		
		
Disco con centro hundido de tipo 27	Disco con cubo de tipo 27	
		
Tuerca de fijación roscada		
Disco de lijar de láminas de 115 mm		
		
Protector tipo 27	Protector tipo 27	
		Brida de soporte no roscada
Disco de lijar de láminas con cubo		Disco de lijar de láminas sin cubo
		Tuerca de fijación roscada
Discos de corte de 115 mm de tipo 41		
		
Protector tipo 41	Protector tipo 41	
		
Brida de apoyo	Brida de apoyo	

	
Disco de corte abrasivo	Disco de corte de diamante
	
Tuerca de fijación	Tuerca de fijación
Discos de alambre	
	
Protector tipo 27	Protector tipo 27
	
Cepillo de alambre tipo taza de 3 pulgadas	Cepillo de alambre tipo taza de 4 pulgadas
Discos de lijado	
	
Base de apoyo de goma	
	
Disco de lijado	
	
Tuerca de fijación roscada	

Datos técnicos

		KFFMEG220
Voltaje de entrada	V_{CA}	230
Potencia de entrada	W	850
Velocidad nominal	min^{-1}	12000
Diámetro interior del disco	mm	22
Espesor máximo del disco		
Discos de amolado	mm	6
Discos de corte	mm	3.5
Tamaño del eje		M14
Peso	Kg	1.9

Nivel de presión acústica de acuerdo con la norma EN 60745:Presión acústica (L_{pA}) 96 dB(A), Incertidumbre (K) 3 dB(A)Potencia acústica (L_{WA}) 107 dB(A), Incertidumbre (K) 3 dB(A)**Valores totales de vibración (suma vectorial triaxial) de acuerdo con la directiva EN 60745:**Amolado de superficies ($a_{h,SG}$) 5.4 m/s^2 , incertidumbre (K) 1.5 m/s^2 Lijado con disco ($a_{h,DS}$) 5.4 m/s^2 , incertidumbre (K) 1.5 m/s^2 **Declaración de conformidad CE**

DIRECTIVA DE MÁQUINAS



Amoladora angular KFFMEG220

Stanley Europe declara que los productos descritos en

"datos técnicos" cumplen las normas:

2006/42/CE, EN 60745-1:2009 + A11:2010;

EN 60745-2-3:2011 + A2:2013 + A11:2014

+ A12:2014 + A13:2015

Estos productos también cumplen las Directivas

2014/30/UE y 2011/65/UE.

Protección del medioambiente

Recogida selectiva. Los productos y las baterías marcadas con este símbolo no se deben eliminar con los residuos domésticos normales.

Los productos y las baterías que contienen materiales que se puedan recuperar o reciclar reducen la demanda de materias primas.

Recicle los productos eléctricos y las baterías de conformidad con la normativa local. Puede obtener más información en www.2helpU.com

Si desea obtener más información, póngase en contacto con Stanley Europe a través de la siguiente dirección o consulte el dorso del manual.

La persona que firma a continuación es responsable de la elaboración del archivo técnico y realiza esta declaración en nombre de Stanley Europe.



Ray Laverick

Director de Ingeniería

Stanley Europe, Egide Walschaertsstraat 14-18,

2800 Mechelen, Bélgica

18/09/2017

Utilização pretendida

As rebarbadoras angulares Stanley Fat Max KFFMEG220 foram concebidas para rebarbar e cortar metal e alvenaria utilizando o disco de corte ou lixa adequado. Quando estão instaladas com a proteção adequada, estas ferramentas são concebidas para utilização profissional e utilização privada e não profissional.

Instruções de segurança

Avisos de segurança gerais para ferramentas elétricas



Atenção! Leia todos os avisos de segurança e todas as instruções. O não cumprimento dos seguintes avisos e instruções pode resultar em choque elétrico, incêndio e/ou graves lesões.

Guarde todos os avisos e instruções para futura referência. A expressão "ferramenta elétrica" utilizada a seguir refere-se a ferramentas elétricas com ligação à corrente elétrica (com cabo) ou com bateria (sem fios).

1. Segurança na área de trabalho

- a. **Mantenha a área de trabalho limpa e bem iluminada.** As áreas desorganizadas ou escuras são propensas a acidentes.
- b. **Não trabalhe com ferramentas elétricas em áreas com risco de explosão, nas quais se encontrem líquidos, gases ou poeiras inflamáveis.** As ferramentas elétricas criam faíscas que poderão inflamar estas poeiras ou vapores.
- c. **Mantenha crianças e outras pessoas afastadas durante a utilização da ferramenta elétrica.** As distrações podem levar à perda do controlo da ferramenta.

2. Segurança elétrica

- a. **As fichas da ferramenta elétrica devem encaixar na tomada. Nunca modifique a ficha de forma alguma.** Não utilize fichas adaptadoras com ferramentas elétricas ligadas à terra. As fichas não modificadas e as tomadas compatíveis reduzem o risco de choque elétrico.
- b. **Evite que o corpo entre em contacto com superfícies ligadas à terra, como tubos, radiadores, fogões e frigoríficos.** Se o seu corpo estiver "ligado" à terra, o risco de choque elétrico é maior.
- c. **As ferramentas elétricas não podem ser expostas a chuva nem humidade.** A entrada de água numa ferramenta elétrica aumenta o risco de choque elétrico.
- d. **Manuseie o cabo com cuidado. Nunca o utilize para transportar, puxar ou desligar a ferramenta elétrica.**

Garantía

Stanley Fat Max confía en la calidad de sus productos y ofrece a los consumidores una garantía de 12 meses a partir de la fecha de compra. Esta garantía es adicional a sus derechos legales y no los menoscaba en modo alguno. La garantía es válida dentro de los territorios de los Estados Miembros de la Unión Europea y del Área de Libre Comercio Europea.

Para reclamar la garantía, la reclamación se debe presentar de conformidad con las condiciones de Stanley Fat Max. Tendrá que adjuntar un justificante de compra al vendedor o al agente técnico autorizado. Las condiciones de la garantía de 1 años de Stanley Fat Max y la ubicación de su agente técnico autorizado más cercano se pueden obtener en Internet en www.2helpU.com o poniéndose en contacto con su oficina local de Stanley Fat Max en la dirección que se indica en este manual.

Visite nuestro sitio web www.blackanddecker.co.uk y registre su nuevo producto Stanley Fat Max para mantenerse actualizado sobre los nuevos productos y las ofertas especiales

- Mantenha o cabo afastado de fontes de calor, substâncias oleosas, arestas afiadas ou peças móveis.** Os cabos danificados ou emaranhados aumentam o risco de choque elétrico.
- e. **Quando trabalhar com uma ferramenta elétrica ao ar livre, utilize uma extensão adequada para esse fim.** A utilização de um cabo adequado para uso ao ar livre reduz o risco de choque elétrico.
- f. **Se for inevitável trabalhar com uma ferramenta elétrica num local húmido, utilize um dispositivo de corrente residual (RCD).** A utilização de um RCD reduz o risco de choque elétrico.
- 3. Segurança pessoal**
- a. **Mantenha-se atento, observe o que está a fazer e seja prudente quando trabalhar com a ferramenta elétrica. Não utilize uma ferramenta elétrica quando estiver cansado ou sob o efeito de drogas, álcool ou medicamentos.** Um momento de distração durante a utilização de ferramentas elétricas poderá resultar em ferimentos graves.
- b. **Utilize equipamento de proteção pessoal. Use sempre uma proteção ocular.** O equipamento de proteção, como, por exemplo, uma máscara contra o pó, sapatos de segurança antiderrapantes, um capacete de segurança ou uma proteção auditiva, usado nas condições apropriadas, reduz o risco de ferimentos.
- c. **Evite arranques involuntários. Certifique-se de que o botão está desligado antes de ligar a ferramenta à corrente elétrica e/ou à bateria, e antes de levantar ou transportar a ferramenta.** Se mantiver o dedo sobre o interruptor ao transportar ferramentas elétricas ou se as ligar à fonte de alimentação com o interruptor ligado, isso poderá dar origem a acidentes.
- d. **Retire eventuais chaves de ajuste ou chaves de fendas antes de ligar a ferramenta elétrica.** Uma chave de fenda ou de ajuste que se encontre numa peça em rotação da ferramenta elétrica poderá causar lesões.
- e. **Não tente chegar a pontos fora do alcance. Mantenha sempre os pés bem apoiados e um equilíbrio apropriado.** Desta forma, será mais fácil controlar a ferramenta elétrica em situações inesperadas.
- f. **Use vestuário adequado. Não use roupa larga ou joias. Mantenha o cabelo, a roupa e as luvas afastados das peças móveis.** As roupas largas, as joias ou o cabelo comprido podem ficar presos nestas peças.
- g. **Se for prevista a montagem de dispositivos de extração e recolha de poeiras, assegure-se de que estão ligados e que são utilizados de forma correta.** A utilização de dispositivos de extração de partículas pode reduzir os riscos relacionados com as mesmas.
- 4. Utilização e manutenção da ferramenta elétrica**
- a. **Não sobrecarregue a ferramenta elétrica. Utilize a ferramenta elétrica correta para o seu trabalho.** A ferramenta elétrica adequada irá efetuar o trabalho de um modo mais eficiente e seguro se for utilizada de acordo com a capacidade para a qual foi concebida.
- b. **Não utilize a ferramenta elétrica se o interruptor não puder ser ligado ou desligado.** Qualquer ferramenta elétrica que não possa ser controlada através do interruptor de alimentação é perigosa e tem de ser reparada.
- c. **Desligue a ficha da tomada e/ou a bateria da ferramenta elétrica antes de proceder a ajustes, trocar acessórios ou guardar ferramentas elétricas.** Estas medidas de segurança preventivas reduzem o risco de ligar a ferramenta elétrica acidentalmente.
- d. **Mantenha as ferramentas elétricas que não estiverem a ser utilizadas fora do alcance das crianças. Não permita que a ferramenta elétrica seja utilizada por pessoas não familiarizadas com a mesma ou que não tenham lido estas instruções.** As ferramentas elétricas são perigosas nas mãos de pessoas que não possuam as qualificações necessárias para as manusear.
- e. **Proceda à manutenção das ferramentas elétricas. Verifique se as partes móveis estão desalinhasadas ou bloqueadas, se existem peças partidas ou qualquer outra situação que possa afetar o funcionamento das ferramentas elétricas. Se a ferramenta elétrica estiver danificada, esta não deve ser utilizada até que seja reparada.** Muitos acidentes têm como principal causa ferramentas elétricas com uma manutenção insuficiente.
- f. **Mantenha as ferramentas de corte afiadas e limpas.** As ferramentas de corte sujeitas a uma manutenção adequada, com arestas de corte afiadas, emperram com menos frequência e controlam-se com maior facilidade.
- g. **Utilize a ferramenta elétrica, os acessórios e as peças de ferramenta, etc., de acordo com estas instruções, considerando as condições de trabalho e a tarefa a ser executada.** A utilização da ferramenta elétrica para fins diferentes dos previstos poderá resultar em situações perigosas.
- 5. Assistência**
- a. **A sua ferramenta elétrica só deve ser reparada por pessoal qualificado e só devem ser colocadas peças sobressalentes originais.** Desta forma, é garantida a segurança da ferramenta elétrica.
- Avisos de segurança adicionais para ferramentas elétricas**



Atenção! Avisos de segurança comuns para rebarbar, lixar, limpeza com escova metálica, polimento ou corte abrasivo:

- ◆ **Esta ferramenta elétrica destina-se a ser utilizada como rebarbadora, lixadora, escova metálica, polidora ou ferramenta de corte. Leia todos os avisos de segurança, instruções, ilustrações e especificações fornecidas com esta ferramenta elétrica.**

O não cumprimento de todas as instruções indicadas abaixo pode resultar em choque elétrico, incêndio e/ou lesões graves.

- ◆ **Não é recomendável utilizar esta ferramenta elétrica para polimento ou corte.**
As operações para as quais a ferramenta elétrica não foi concebida poderão criar perigo e causar ferimentos.
- ◆ **Não utilize acessórios que não tenham sido especificamente concebidos e recomendados pelo fabricante da ferramenta.** O facto de um acessório poder ser instalado na sua ferramenta elétrica não garante um funcionamento seguro do mesmo.
- ◆ **A velocidade nominal do acessório deve ser, no mínimo, equivalente à velocidade máxima indicada na ferramenta elétrica.** Os acessórios que forem utilizados a uma velocidade superior à respetiva velocidade nominal poderão fragmentar-se e projetar esses fragmentos.
- ◆ **O diâmetro exterior e a espessura do acessório devem estar dentro dos limites de capacidade da ferramenta elétrica.** Não será possível proteger ou controlar de forma adequada acessórios com o tamanho incorreto.
- ◆ **A enroscar acessórios, estes devem coincidir com a rosca do eixo da rebarbadora. No que respeita a acessórios montados com flanges, o orifício de fixação do acessório deve corresponder ao diâmetro de localização da flange.** Os acessórios que não correspondam ao tamanho dos elementos de montagem da ferramenta elétrica irão funcionar de forma desequilibrada e vibrar de modo excessivo, podendo causar a perda do controlo da ferramenta.
- ◆ **Não utilize um acessório danificado. Antes de cada utilização, inspecione se os acessórios, por exemplo, os discos abrasivos, apresentam rachas ou fendas, se a proteção de apoio apresenta rachas, desgaste excessivo, e se a escova metálica tem fios soltos ou rachadas. Se deixar cair a ferramenta elétrica ou os acessórios, verifique se apresentam danos ou se colocou um acessório sem danos. Depois de inspecionar e instalar um acessório e funcionar com a ferramenta elétrica à velocidade máxima sem carga durante um minuto.** Os acessórios danificados irão normalmente fragmentar-se durante este período de teste.
- ◆ **Utilize equipamento de proteção pessoal.** Dependendo da operação, use uma viseira ou óculos de proteção.

De acordo com o necessário, use uma máscara contra o pó, protetores auditivos, luvas e um avental de trabalho capaz de o proteger contra pequenos fragmentos abrasivos ou da peça de trabalho. A proteção ocular tem de ser capaz de o proteger contra a projeção de detritos resultantes de várias operações. A máscara anti-poeira ou o respirador deve ser capaz de filtrar partículas geradas pelo que está a fazer. A exposição prolongada a ruídos de elevada intensidade poderá causar perda de audição.

- ◆ **Mantenha as pessoas a uma distância segura da área de trabalho. Qualquer pessoa que entre no perímetro da área de trabalho tem de usar equipamento de proteção pessoal.** Poderá dar-se o caso de fragmentos da peça de trabalho ou de um acessório partido serem projetados para longe e causarem ferimentos fora da área de trabalho imediata.
- ◆ **Segure a ferramenta elétrica apenas pelas superfícies isoladas específicas para o efeito ao efetuar uma operação em que o acessório de corte possa entrar em contacto com fios ocultos ou com o próprio cabo da ferramenta.** O acessório de corte que entre em contacto com um fio com tensão elétrica poderão fazer com que as peças de metal expostas da ferramenta conduzam eletricidade e eletrocutem o utilizador.
- ◆ **Utilize grampos ou outro sistema prático para fixar e apoiar a peça numa plataforma estável.** Segurar a peça com a mão ou contra o corpo pode causar instabilidade e perda de controlo.
- ◆ **Afaste o cabo de alimentação do acessório rotativo.** Se perder o controlo da ferramenta, o cabo poderá ser cortado ou ficar preso no acessório, puxando a sua mão ou o seu braço na direção do acessório rotativo.
- ◆ **Nunca pouse a ferramenta elétrica antes de o acessório ficar completamente imobilizado.** Caso contrário, o acessório rotativo poderá ficar preso na superfície onde pousou a ferramenta elétrica e puxá-la para longe das suas mãos, fazendo-o perder o controlo da mesma.
- ◆ **Não ligue a ferramenta elétrica enquanto estiver a transportá-la ao seu lado.** Um contacto acidental do acessório rotativo com a sua roupa poderá prendê-la no mesmo, puxando o acessório na direção do seu corpo.
- ◆ **Limpe regularmente as aberturas de ventilação da ferramenta elétrica.** A ventoinha do motor irá puxar as partículas para o interior da caixa da ferramenta e a acumulação excessiva de metal pulverizado pode causar perigos elétricos.
- ◆ **Não utilize a ferramenta elétrica perto de materiais inflamáveis.** Estes materiais poderão ser inflamados por faíscas da ferramenta.

- ◆ **Não utilize acessórios que necessitem de líquidos de refrigeração.** A utilização de água ou outros líquidos de refrigeração poderá resultar em eletrocussão ou choque elétrico.

Nota: O aviso anterior não se aplica a ferramentas elétricas especificamente concebidas para utilizar com um sistema líquido.

Contragolpes e avisos relacionados

O efeito de coice é uma reação súbita resultante do aperto ou bloqueio de um disco rotativo, de uma proteção de apoio, de uma escova ou de qualquer outro acessório. Elementos entalados ou presos provocam o rápido encravamento do acessório rotativo, o que, por sua vez, faz com que a ferramenta elétrica descontrolada seja forçada na direção oposta à rotação do acessório no ponto de ligação.

Por exemplo, se um disco abrasivo ficar preso ou for apertado pela peça de trabalho, a aresta do disco que estiver em contacto com o ponto de aperto pode penetrar a superfície do material, fazendo o disco subir ou saltar da peça. O disco pode projetar-se na direção do operador ou afastar-se dele, dependendo da direção do movimento do disco roda no ponto de entalamento. Os discos abrasivos podem também partir-se nestas condições.

O coice é o resultado de uma utilização errada da ferramenta e/ou de procedimentos ou condições de utilização incorretos, podendo ser evitado com medidas de precaução apropriadas, conforme descrito em seguida.

- ◆ **Segure firmemente a ferramenta elétrica e posicione o corpo e o braço de modo a permitir resistência às forças de um contragolpe. Utilize sempre o punho auxiliar, se existir, para controlar ao máximo o contra-golpe ou a reação ao binário quando liga a ferramenta.** O operador pode controlar as reações ao binário ou forças de contra-golpe, tomando as precauções adequadas.
- ◆ **Nunca coloque a mão perto do acessório rotativo.** O efeito de coice poderá fazer o acessório saltar para cima da sua mão.
- ◆ **Não posicione o corpo na área em que a ferramenta elétrica passará se ocorrer um contra-golpe.** O contra-golpe impulsionará a ferramenta na direção oposta ao do movimento do disco no ponto em que ficar entalada.
- ◆ **Tenha muito cuidado quando trabalhar em cantos, arestas afiadas, etc. Evite balançar e entalar o acessório.** Os cantos, as arestas afiadas ou o facto de o acessório rotativo saltar tendem a fazê-lo ficar preso na peça de trabalho e, conseqüentemente, a causar a perda do controlo da ferramenta ou a ocorrência do efeito de coice.

- ◆ **Não ligue uma lâmina de entalhar madeira de corrente ou uma lâmina de serra com dentes.** Estas lâminas originam frequentemente o efeito de coice e a perda do controlo da ferramenta.

Avisos de segurança específicos para operações de retificação e corte abrasivo

- ◆ **Utilize apenas tipos de discos recomendados para a ferramenta elétrica e a proteção específica concebida para o disco escolhido.** Os discos para os quais a ferramenta elétrica não foi concebida não podem ser protegidos de forma adequada e, conseqüentemente, não são seguros.
- ◆ **A superfície de desbaste dos discos centrais com depressão deve ser montada abaixo da plaina da aba de proteção.** Se o disco estiver montado incorretamente e ficar saliente através da plaina da aba de proteção, isso significa que não está devidamente protegido.
- ◆ **A proteção deverá estar bem fixada à ferramenta e posicionada de forma a proporcionar a máxima segurança, de forma a que o operador fique exposto à menor extensão do disco possível.** O resguardo ajuda a proteger o utilizador contra fragmentos do disco partido, qualquer contacto acidental com o disco e as faíscas podem queimar a roupa.
- ◆ **Os discos só devem ser utilizados para as aplicações recomendadas. Por exemplo, não desbaste materiais com a parte lateral de um disco de corte.** Os discos de corte abrasivos destinam-se a efetuar desbastes periféricos e qualquer pressão lateral aplicada nestes discos poderá parti-los.
- ◆ **Utilize sempre flanges de discos não danificadas com o tamanho e a forma corretos para o disco escolhido.** Os encaixes de disco apropriados suportam corretamente o disco, reduzindo assim a possibilidade de quebra do mesmo. As flanges para discos de corte poderão ser diferentes das flanges dos discos de lixa.
- ◆ **Não utilize discos desgastados de ferramentas elétricas maiores.** Os discos concebidos para ferramentas elétricas maiores não são adequados para a velocidade mais alta de uma ferramenta mais pequena e poderão fragmentar-se.

Avisos de segurança adicionais específicos para operações de corte abrasivo

- ◆ **Não “encrave” o disco de corte nem aplique pressão excessiva. Não efetue cortes excessivamente profundos.** Uma pressão excessiva sobre o disco aumenta a carga e a suscetibilidade de torcer ou bloquear o disco durante o corte, bem como a possibilidade de recuo ou do disco se partir.

- ◆ **Não posicione o corpo alinhado e atrás do disco rotativo.** Quando o disco, no ponto de funcionamento, se estiver a afastar do seu corpo, um possível recuo poderá impulsionar o disco e a ferramenta elétrica diretamente para si.
- ◆ **Quando o disco estiver a ficar bloqueado ou quando interromper um corte por qualquer motivo, desligue a ferramenta elétrica e mantenha-a imóvel até que o disco pare completamente. Nunca retire o disco de corte do corte enquanto o disco estiver em movimento. Caso contrário, poderá ocorrer o efeito de coice.** Investigue e tome ações corretivas para eliminar a causa do bloqueio do disco.
- ◆ **Não reinicie a operação de corte na peça. Deixe o disco alcançar a velocidade máxima e coloque a serra com cuidado no local do corte.** O disco poderá subir ou saltar da peça de trabalho ou emperrar se a ferramenta elétrica for reiniciada em contacto com a peça.
- ◆ **Suporte quaisquer painéis ou peça de trabalho sobredimensionada para minimizar o risco de aperto do disco e ocorrência do efeito de coice.** As peças de trabalho de grandes dimensões tendem a vergar sobre o seu próprio peso. É necessário colocar suportes por baixo da peça de trabalho em ambos os lados do disco, perto da linha de corte e da extremidade da peça.
- ◆ **Tenha especial cuidado quando efetuar um corte pequeno em paredes existentes ou outras áreas ocultas.** O disco poderá cortar a canalização de gás ou água, a cablagem elétrica ou outros objetos que podem causar o efeito de coice.

Avisos de segurança específicos para operações de lixagem

- ◆ **Não utilize papel de disco de lixa com dimensões excessivas. Siga as recomendações dos fabricantes quando selecionar o papel para lixar.** Uma lixa com um tamanho excessivo que ultrapasse o limite do disco de suporte representa um risco de dilaceração e poderá fazer o disco ficar preso ou danificado, ou causar a ocorrência do efeito de coice.

Avisos de segurança específicos para operações de escovagem metálica

- ◆ **Tenha em atenção que a escova projeta cerdas metálicas, mesmo durante o funcionamento normal. Não aplique uma carga excessiva na escova, isso pode causar demasiado esforço nos fios.** Os filamentos podem penetrar facilmente na pele e/ou em roupa leve.

- ◆ **Se for recomendada a utilização de uma proteção para escovagem metálica, não permite qualquer interferência do disco ou da escova de arame com a proteção.** O disco ou a escova de arame podem aumentar de diâmetro devido à carga de trabalho e às forças centrífugas.

Segurança de terceiros

- ◆ Este aparelho não deve ser utilizado por pessoas (incluindo crianças) com capacidades físicas, sensoriais ou mentais reduzidas ou com falta de experiência e conhecimentos, a menos que sejam acompanhadas ou tenham recebido formação ou instruções sobre a utilização deste equipamento por uma pessoa responsável pela respetiva segurança.
- ◆ As crianças deverão ser vigiadas para que não mexam no aparelho.

Riscos residuais

Podem surgir riscos residuais adicionais durante a utilização da ferramenta, que poderão não constar nos avisos de segurança incluídos. Estes riscos podem resultar de má utilização, uso prolongado, etc.

Mesmo com o cumprimento dos regulamentos de segurança relevantes e a implementação de dispositivos de segurança, alguns riscos residuais não podem ser evitados. Estes incluem:

- ◆ Ferimentos causados pelo contacto com peças em rotação/movimento.
- ◆ Ferimentos causados durante a troca de peças, lâminas ou acessórios.
- ◆ Ferimentos causados pela utilização prolongada de uma ferramenta. Quando utilizar uma ferramenta durante períodos prolongados, certifique-se de que faz pausas regularmente.
- ◆ Danos auditivos.
- ◆ Problemas de saúde causados pela inalação de poeiras resultantes da utilização da ferramenta (exemplo: trabalhos em madeira, especialmente carvalho, faia e MDF).

Vibração

Os valores de emissão de vibração declarados na secção de dados técnicos e na declaração de conformidade foram medidos de acordo com o método de teste padrão fornecido pela norma EN 60745 e podem ser utilizados para comparar ferramentas. O valor de emissão de vibração declarado pode ainda ser utilizado numa avaliação preliminar de exposição.

Atenção! O valor de emissão de vibração durante a utilização real da ferramenta elétrica pode ser diferente do valor declarado, dependendo da forma como a ferramenta é utilizada.

O nível de vibração pode aumentar acima do nível indicado.

Quando avaliar a exposição da vibração para determinar as medidas de segurança exigidas pela Diretiva 2002/44/CE para proteger pessoas que utilizem regularmente ferramentas elétricas na sua atividade profissional, deve ser considerada uma estimativa de exposição de vibração, as condições reais de utilização e o modo de utilização da ferramenta, incluindo ainda todas as partes do ciclo de funcionamento, como os períodos de inatividade e espera da ferramenta, além do tempo de funcionamento.

Etiquetas colocadas na ferramenta

Os seguintes pictogramas, assim como o código de data, estão indicados na ferramenta:



Atenção! Para reduzir o risco de ferimentos, o utilizador deve ler o manual de instruções.



Utilize óculos ou viseiras de proteção quando utilizar esta ferramenta.



Utilize protetores dos ouvidos quando utilizar esta ferramenta.

Segurança elétrica



O seu carregador tem isolamento duplo. Por esse motivo, não precisa de ligação à terra. Verifique sempre se a tensão de alimentação corresponde à tensão indicada na placa sinalética.

- ◆ Se o cabo de alimentação estiver danificado, terá de ser substituído pelo fabricante ou por um centro de assistência autorizado Stanley Fat Max para evitar acidentes.

Quebras de tensão

As correntes de irrupção causam quebras de tensão de curta duração. Em condições de alimentação desfavoráveis, outro equipamento poderá ser afetado. Se a impedância de sistema da fonte de alimentação for inferior a 0,107 Ω, a ocorrência de perturbações é improvável.

Componentes

Esta ferramenta inclui algumas ou todas as características seguintes.

1. Interruptor de ligar/desligar
2. Bloqueio do veio
3. Proteção
4. Punho lateral

Montagem

Atenção! Antes da montagem, certifique-se de que a ferramenta está desligada e que não está ligada à corrente elétrica.

Colocar e remover a proteção (Fig. A)

A ferramenta é fornecida com uma proteção apenas para trabalhos de desbaste (tipo 27). Se a unidade se destinar a operações de corte, deverá ser colocada uma proteção específica desta operação (tipo 41). Os números de referência das proteções adequadas N551980 (para o disco de corte de 115 mm) e N542445 (para o disco de corte de 125 mm) estão disponíveis e podem ser obtidos a partir dos centros de assistência da Stanley Fat Max.

Montagem

- ◆ Coloque a ferramenta numa mesa, com o eixo (4) virado para cima.
- ◆ Liberte o bloqueio de fixação (5) e segure a proteção (3) sobre a ferramenta, conforme ilustrado.
- ◆ Alinhe os apoios (6) com os entalhes (7).
- ◆ Pressione a proteção para baixo e rode-a no sentido inverso ao dos ponteiros do relógio para a posição pretendida.
- ◆ Aperte o bloqueio de fixação (5) para garantir a proteção da ferramenta.
- ◆ Se necessário, aperte o parafuso (8) para aumentar a força de fixação.

Remover

- ◆ Solte o fixador (5).
- ◆ Rode a proteção no sentido dos ponteiros do relógio para alinhar os apoios (6) com os entalhes (7).
- ◆ Remova a proteção da ferramenta.

Atenção! Nunca utilize a ferramenta sem a proteção.

Encaixar o punho lateral

- ◆ Aparafuse a pega lateral (4) num dos orifícios de montagem da ferramenta.

Atenção! Utilize sempre o punho lateral.

Instalar e remover discos de lixa

(Fig. B - D)

Utilize sempre o tipo de disco correto para a sua aplicação. Utilize sempre discos com o diâmetro e o orifício corretos (ver os dados técnicos).

Montagem

- ◆ Coloque a proteção como indicado acima.
- ◆ Coloque a flange interior (9) no eixo (4) como indicado (Fig. B). Certifique-se de que a flange está corretamente posicionada nos lados lisos do eixo.
- ◆ Coloque o disco (10) no eixo (4) como indicado (Fig. B). Se o disco tiver um centro elevado (11), certifique-se de que esse centro elevado está virado para a flange interior.
- ◆ Certifique-se de que o disco está corretamente localizado na flange interior.

- ◆ Coloque a flange exterior (12) no eixo. Quando se monta um disco de lixa, o centro elevado da flange exterior deve ficar virado para o disco (A na Fig. C). Quando se monta um disco de corte, o centro elevado da flange exterior deve ficar no lado oposto ao do disco (B na Fig. C).
- ◆ Mantenha o bloqueio do veio (2) premido e aperte a flange exterior utilizando a chave-inglesa de dois pinos (13) (Fig. D).

Remover

- ◆ Mantenha o bloqueio do veio (2) premido e solte a flange exterior (12) utilizando a chave-inglesa de dois pinos (13) (Fig. D).
- ◆ Remova a flange exterior (12) e o disco (10).

Retificação de superfícies com discos de lixa

- ◆ Deixe a ferramenta atingir a velocidade máxima antes de tocar na superfície de trabalho.
- ◆ Aplique uma pressão mínima na superfície de trabalho, para que a ferramenta funcione a uma velocidade elevada. A velocidade de retificação é a mais elevada se a ferramenta funcionar a uma velocidade elevada.
- ◆ Mantenha um ângulo de 20° a 30° entre a ferramenta e superfície de trabalho, como indicado na Figura F.
- ◆ Mova a ferramenta de maneira contínua para trás e para a frente para evitar a formação de estrias na superfície de trabalho.
- ◆ Retire a ferramenta da superfície de trabalho antes de a desligar. Deixe a ferramenta parar de rodar antes de a pousar.

Retificar arestas com discos de lixa

Os discos utilizados para o corte e retificação de arestas podem partir-se ou provocar um coice enquanto a ferramenta estiver a ser utilizada para realizar trabalhos de corte ou desbaste profundo. A retificação/corte de arestas com um disco do tipo 27 deve ser restringida a corte superficial e chanfragem. Deve ser inferior a 13 mm de profundidade se o disco for novo. Reduza a profundidade de corte/chanfragem para que fique igual à redução do raio do disco, à medida que ficar desgastado. Para obter mais informações, consulte o "Gráfico de acessórios de corte e rebarbagem" no final deste manual. A retificação/corte de arestas com um disco do tipo 41 requer a utilização de uma proteção do tipo 41.

- ◆ Deixe a ferramenta atingir a velocidade máxima antes de tocar na superfície de trabalho.
- ◆ Aplique uma pressão mínima na superfície de trabalho, para que a ferramenta funcione a uma velocidade elevada. A velocidade de retificação é a mais elevada se a ferramenta funcionar a uma velocidade elevada.
- ◆ Coloque-se de modo a que o lado aberto na parte inferior do disco fique afastado do operador.

- ◆ Depois de iniciar um corte e efetuar um entalhe na peça de trabalho, não altere o ângulo do corte. Se alterar o ângulo, o disco pode dobrar e partir-se. Os discos de lixa de arestas não foram concebidos para suportar pressões causadas pela dobragem.
- ◆ Retire a ferramenta da superfície de trabalho antes de a desligar. Deixe a ferramenta parar de rodar antes de a pousar.

Atenção! Não utilize discos de retificação/corte de arestas para aplicações de rebarbagem de superfícies se a etiqueta do disco proibir esse tipo de utilização porque estes discos não foram concebidos para as pressões laterais ocorridas durante a rebarbagem de superfícies. O disco pode partir-se e ocorrerem ferimentos graves.

Colocar e remover discos de lixa (Fig. D e E)

Para lixar, é necessário uma proteção de apoio. A proteção de apoio está disponível como acessório e pode ser obtida através do seu distribuidor Stanley Fat Max.

Montagem

- ◆ Coloque a flange interior (9) no eixo (4) como indicado (Fig. E). Certifique-se de que a flange está corretamente posicionada nos lados lisos do eixo.
- ◆ Coloque a proteção de apoio (14) no eixo.
- ◆ Coloque o disco de lixa (15) na proteção de apoio.
- ◆ Coloque a flange exterior (12) no eixo com o centro elevado no lado oposto do disco.
- ◆ Mantenha o bloqueio do veio (2) premido e aperte a flange exterior utilizando a chave-inglesa de dois pinos (13) (Fig. D). Certifique-se de que a flange exterior está corretamente colocada e que o disco está firmemente fixado.

Remover

- ◆ Mantenha o bloqueio do veio (2) premido e solte a flange exterior (12) utilizando a chave-inglesa de dois pinos (13) (Fig. D).
- ◆ Remova a flange exterior (12), o disco de lixa (15) e a proteção (14).

Acabamento da superfície com discos de lixa

- ◆ Deixe a ferramenta atingir a velocidade máxima antes de tocar na superfície de trabalho.
- ◆ Aplique uma pressão mínima na superfície de trabalho, para que a ferramenta funcione a uma velocidade elevada. A velocidade de polimento é a mais elevada se a ferramenta funcionar a uma velocidade elevada.
- ◆ Mantenha um ângulo de 5° a 10° entre a ferramenta e superfície de trabalho, como indicado na Figura G.
- ◆ Mova a ferramenta de maneira contínua para trás e para a frente para evitar a formação de estrias na superfície de trabalho.

- ◆ Retire a ferramenta da superfície de trabalho antes de a desligar. Deixe a ferramenta parar de rodar antes de a pousar.

Utilizar proteções de apoio para lixar

Utilize sempre discos de lixa de material abrasivo adequado para a sua aplicação. Estão disponíveis discos abrasivos com várias numerações. As lixas com numeração mais grossa permitem obter velocidades de remoção mais rápidas e um acabamento mais grosseiro. As lixas com numeração mais fina permitem obter velocidades de remoção mais lentas e um acabamento mais macio. Comece a tarefa com discos com numeração mais grossa para uma remoção rápida e grosseira do material. Mude para um papel com numeração média e termine com um disco de com numeração fina para um óptimo acabamento.

- ◆ Grosso = 16 - 30.
- ◆ Médio = 36 - 80.
- ◆ Polimento fino = 100 - 120.
- ◆ Polimento muito fino = 150 - 180.
- ◆ Deixe a ferramenta atingir a velocidade máxima antes de tocar na superfície de trabalho.
- ◆ Aplique uma pressão mínima na superfície de trabalho, para que a ferramenta funcione a uma velocidade elevada. A velocidade de polimento é a mais elevada se a ferramenta funcionar a uma velocidade elevada.
- ◆ Mantenha um ângulo de 5° a 10° entre a ferramenta e superfície de trabalho, como indicado na Figura H. O disco de lixa deve estar a uma distância de cerca de 25 mm da superfície de trabalho.
- ◆ Mova a ferramenta de forma constante em linha reta para evitar queimaduras e efeitos circulares na superfície de trabalho. Se deixar a ferramenta sobre a superfície de trabalho e não a mover ou a deslocar em movimentos circulares, podem ocorrer queimaduras e efeitos circulares.
- ◆ Retire a ferramenta da superfície de trabalho antes de a desligar. Deixe a ferramenta parar de rodar antes de a pousar.

Precauções a ter quando lixar tinta

- ◆ A lixagem de tinta à base de chumbo **NÃO É RECOMENDADA** porque é difícil controlar as poeiras contaminadas. As crianças e as grávidas são as pessoas mais susceptíveis ao envenenamento por chumbo.
- ◆ Uma vez que é difícil identificar se uma tinta contém ou não chumbo sem proceder a uma análise química, é recomendável seguir as seguintes precauções quando lixar tinta:
 - ◆ As crianças ou grávidas não devem entrar em áreas de trabalho em que estejam a ser realizados trabalhos de lixagem de tinta até a limpeza estar concluída por completo.

- ◆ Deve ser usada uma máscara anti-poeira ou uma máscara respiratória por todas as pessoas que entrem na área de trabalho. O filtro deve ser substituído todos os dias ou sempre que o utilizador tenha dificuldades respiratórias.

Nota: Só devem ser utilizadas máscaras anti-poeira adequadas se trabalhar com vapores de chumbo e poeira de tinta à base de chumbo. As máscaras de pintura comuns não oferecem este tipo de proteção. Consulte o seu fornecedor de equipamento local para saber qual é a máscara aprovada adequada.

- ◆ **NÃO É PERMITIDO COMER, BEBER ou FUMAR** na área de trabalho para evitar a ingestão de partículas de tinta contaminadas. Os trabalhadores devem lavar-se e limpar-se **ANTES** de comer, beber ou fumar. Não devem ser deixados alimentos, bebida ou maços de tabaco na área de trabalho, uma vez que estão sujeitos à acumulação de poeira.
- ◆ A tinta deve ser removida de modo a minimizar a quantidade de poeira produzida.
- ◆ As áreas de remoção de tinta devem ser seladas com telas de plástico com 4 milímetros de plegada de espessura.
- ◆ A lixagem deve ser realizada de modo a reduzir quaisquer marcas de poeira de tinta fora da área de trabalho.
- ◆ Todas as superfícies na área de trabalho devem ser aspiradas e devidamente limpas todos os dias durante todo o processo de lixagem. Os sacos dos filtros de vácuo devem ser frequentemente mudados.
- ◆ As telas de proteção de plástico devem ser recolhidas e deitadas fora, juntamente com quaisquer pedaços de poeira ou outros detritos removidos. Devem ser colocados em contentores para lixo selados e eliminados através dos procedimentos normais de recolha do lixo. Durante a limpeza, as crianças e grávidas devem ser mantidas afastadas da área de trabalho imediata.
- ◆ Todos os brinquedos, mobília e utensílios usados pelas crianças devem ser devidamente lavados antes de serem utilizados novamente.

Montagem e utilização de escovas e discos metálicos

As escovas angulares de arame ou os discos metálicos são aparafusados diretamente no eixo da rebarbadora, não sendo necessárias flanges. b. É necessário utilizar uma proteção do tipo 27 se utilizar discos e escovas de arame. Use luvas de trabalho quando manusear discos e escovas de arame. Podem ficar afiados. O disco ou a escova não devem entrar em contacto com o resguardo quando estiverem a ser instaladas ou utilizadas.

Podem ocorrer danos não detetáveis no acessório, fazendo com que os fios se separem da válvula ou do disco de acessórios.

- ◆ Enrosque o disco no veio à mão.
- ◆ Prima o botão de bloqueio do veio e utilize uma chave de fendas no cubo do disco ou escova metálicos para apertar o disco.
- ◆ Para remover o disco, faça o inverso das instruções indicadas acima.

Atenção! Se não fixar corretamente o cubo do disco antes de ligar a ferramenta, poderão ocorrer danos na ferramenta ou no disco.

As escovas e os discos metálicos podem ser utilizados para remover ferrugem, lascas e tinta, e para o alisamento de superfícies irregulares.

Nota: Devem ser tomadas as mesmas precauções durante os trabalhos de limpeza com escova e de lixagem de tinta.

- ◆ Deixe a ferramenta atingir a velocidade máxima antes de tocar na superfície de trabalho.
- ◆ Aplique uma pressão mínima na superfície de trabalho, para que a ferramenta funcione a uma velocidade elevada. A velocidade de remoção de material é a mais elevada se a ferramenta funcionar a uma velocidade elevada.
- ◆ Mantenha um ângulo de 5° a 10° entre a ferramenta e a superfície de trabalho para escovas angulas de arame, como indicado na Figura I.
- ◆ Utilize as escovas de arame para manter o contacto entre o bordo do disco e a superfície de trabalho.
- ◆ Mova a ferramenta de maneira contínua para trás e para a frente para evitar a formação de estrias na superfície de trabalho. Se deixar a ferramenta sobre a superfície de trabalho e não a mover ou a deslocar em movimentos circulares, podem ocorrer queimaduras e efeitos circulares.
- ◆ Retire a ferramenta da superfície de trabalho antes de a desligar. Deixe a ferramenta parar de rodar antes de a pousar.

Atenção! Tenha especial atenção quando trabalhar num canto da mesa, uma vez que pode ocorrer um movimento brusco da rebarbadora.

Montagem dos discos de corte (tipo 41)

Os discos de corte incluem discos de diamante e abrasivos. Estão disponíveis discos de corte abrasivos para metal e betão. Também podem ser utilizadas lâminas de diamante para o corte de betão.

NOTA: Se utilizar discos de corte, é necessário uma proteção do tipo 41 para discos de corte fechada e com 2 abas laterais, vendida em separado. A não utilização de apoios e proteções adequadas pode dar origem a ferimentos resultantes da rutura do disco e do contacto com o disco.

Quando cortar discos, deve utilizar encaixes de apoio e porcas de fixação roscadas com o mesmo diâmetro (fornecidos com a ferramenta).

Montagem de proteções fechadas (Tipo 41) (Fig. J, K, L)

- ◆ Alinhe os três apoios na proteção (7) com as três ranhuras no cubo. Isto permite alinhar os apoios com as ranhuras na tampa da caixa de engrenagens, como indicado na Figura J.
- ◆ Empurre a proteção para baixo até o apoio encaixar na ranhura no cubo da caixa de engrenagens, como indicado na Figura K.
- ◆ Rode a proteção (7) para a esquerda para fixá-la no respetivo local. A estrutura da proteção deve ser posicionada entre o veio e o operador para proporcionar a máxima proteção do operador, como indicado na Figura L.
- ◆ Aperte o parafuso do fecho da proteção para fixá-la na tampa da caixa de engrenagens. Agora não é possível rodar a proteção à mão. Não utilize a rebarbadora com uma proteção desapertada.
- ◆ Para retirar a proteção, retire o parafuso do fecho da proteção. Em seguida, rode a proteção de modo a que os três apoios na proteção (7) fiquem alinhados com as três ranhuras no cubo e retire a proteção.

Montar os discos de corte

- ◆ Coloque a flange de apoio não roscada no veio com a parte levantada (piloto) virada para cima. A parte levantada (piloto) na flange de apoio fica virada para o disco quando o disco é instalado.
- ◆ Coloque o disco na flange de apoio, centrando o disco na parte levantada (piloto).
- ◆ Instale a porca de fixação roscada com a parte levantada (piloto) afastada do disco.
- ◆ Prima o botão de bloqueio do veio e aperte a porca de fixação com a chave de fendas incluída.
- ◆ Para retirar o disco, prima o botão de bloqueio do veio e desaperte a porca de fixação roscada com a chave de fendas incluída.

Atenção! Não utilize discos de corte/retificação de arestas para tarefas de retificação de superfícies, porque não foram concebidos para as pressões laterais que ocorrem durante a retificação de superfícies. O disco pode partir-se e ocorrer ferimentos.

- ◆ Deixe a ferramenta atingir a velocidade máxima antes de tocar com a mesma na superfície de trabalho.
- ◆ Aplique uma pressão mínima na superfície de trabalho, para que a ferramenta funcione a uma velocidade elevada. A velocidade de corte é a mais elevada se a ferramenta funcionar a uma velocidade elevada.
- ◆ Depois de iniciar um corte e efetuar um entalhe na peça de trabalho, não altere o ângulo do corte.

Se alterar o ângulo, o disco pode dobrar e partir-se.

- ◆ Retire a ferramenta da superfície de trabalho antes de a desligar. Deixe a ferramenta parar de rodar antes de a pousar.

Utilização

Atenção! Não altere o ritmo de funcionamento da ferramenta. Não sobrecarregue.

- ◆ Oriente o cabo com cuidado para evitar cortes acidentais.
- ◆ Esteja preparado para uma torrente de faíscas quando o disco de lixa ou de corte tocar na peça.
- ◆ Posicione sempre a ferramenta de forma a que a proteção contra o disco de lixa ou corte seja a ideal.

Ligar e desligar

- ◆ Para ligar a ferramenta, pressione o interruptor para ligar/desligar (1).
- ◆ Para desligar a ferramenta, solte o interruptor para ligar/desligar (1).

Atenção! Não desligue a ferramenta sob carga.

Sugestões para uma utilização ótima

- ◆ Segure com firmeza a ferramenta com uma mão no punho lateral e a outra no punho principal.
- ◆ Quando rebarbar, mantenha sempre um ângulo aproximado de 15° entre o disco e a superfície da peça.

Manutenção

O seu aparelho/ferramenta Stanley Fat Max com/sem fios foi concebido para funcionar durante um longo período de tempo com uma manutenção mínima. Uma utilização continuamente satisfatória depende de uma manutenção apropriada da ferramenta e de uma limpeza regular.

Atenção! Antes de proceder a qualquer ação de manutenção em ferramentas elétricas com cabo/sem fio:









- ◆ Desligue o aparelho/ferramenta e retire a respetiva ficha da tomada.
- ◆ Ou desligue e remova a pilha do aparelho/ferramenta caso o aparelho/ferramenta tenha uma bateria individual.
- ◆ Ou deixe a bateria descarregar completamente se estiver incorporada e, em seguida, desligue-a.
- ◆ Desligue o carregador antes de o limpar. O seu carregador não necessita de manutenção para além da limpeza regular.
- ◆ Limpe regularmente as aberturas de ventilação do aparelho/ferramenta/carregador com uma escova macia ou um pano seco.
- ◆ Limpe regularmente o compartimento do motor com um pano húmido. Não utilize produtos de limpeza abrasivos ou à base de dissolventes.



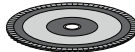

- ◆ Abra o mandril regularmente e bata no mesmo para remover qualquer vestígio de pó do seu interior (quando colocado).

Resolução de problemas

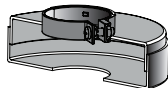
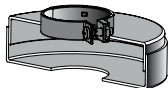
Problema	Causa possível	Possível solução
A unidade não é iniciada.	O fio não está ligado. O cabo ou o interruptor estão danificados.	Ligue a ferramenta a uma tomada com corrente elétrica. Substitua o cabo ou o interruptor num centro de assistência ou reparador autorizado Stanley FatMax.)



Gráfico de acessórios de corte e retificação

Discos de lixa de 115 mm	
 Proteção do tipo 27	 Proteção do tipo 27
 Flange de apoio não roscada	
 Disco central com depressão do tipo 27	 Disco com cubo do tipo 27
 Porca de fixação roscada	
Discos de lixa de 115 mm	
 Proteção do tipo 27	 Proteção do tipo 27



 Disco de lixa com cubo	 Flange de apoio não rosçada
	 disco de lixa sem cubo
	 Porca de fixação rosçada

Discos de corte tipo 41 de 115 mm

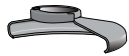
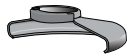
 Proteção do tipo 41	 Proteção do tipo 41
--	--

 Flange de apoio	 Flange de apoio
--	--




 Disco de corte abrasivo	 Disco de corte de diamante
--	---

 Porca de fixação	 Porca de fixação
---	---

Escovas de arame

 Proteção do tipo 27	 Proteção do tipo 27
--	--

 Escova angular de arame de 3 polegadas	 Escova angular de arame de 4 polegadas
---	---

Discos de lixa	
 Proteção de apoio de borracha	
 Disco para lixadora	
 Porca de fixação rosçada	

Proteção do ambiente



Faça uma recolha de lixo seletiva. Os produtos e as baterias assinaladas com este símbolo não devem ser eliminados juntamente com o lixo doméstico normal.

Os produtos e as baterias contêm materiais que podem ser recuperados ou reciclados, reduzindo assim a necessidade de matérias-primas.

Recicle os produtos elétricos e as baterias de acordo com as disposições locais. Estão disponíveis mais informações em www.2helpU.com

Dados técnicos

		KFFMEG220
Tensão de entrada	V_{AC}	230
Alimentação	W	850
Velocidade nominal	mín.: 1	12000
Furo do disco	mm	22
Espessura máxima do disco		
Discos de lixa	mm	6
Discos de corte	mm	3,5
Tamanho do eixo		M14
Peso	Kg	1,9

Nível de pressão acústica de acordo com a norma EN 60745:

Pressão acústica (L_{PA})	96 dB(A), variabilidade (K) 3 dB(A)
potência acústica (L_{WA})	107 dB(A), imprecisão (K) 3 dB(A)

Valores totais de vibração (soma vectores triaxiais) de acordo com a EN 60745:Retificação de superfícies ($a_{h,SG}$) 5,4 m/s², imprecisão (K) 1,5 m/s²Lixagem de disco ($a_{h,DS}$) 5,4 m/s², imprecisão (K) 1,5 m/s²**Declaração de conformidade CE**

DIRETIVA "MÁQUINAS"



Rebarbadora angular KFFMEG220

A Stanley Europe declara que os produtos descritos em "dados técnicos" estão em conformidade com:

2006/42/CE, EN 60745-1:2009 + A11:2010;

EN 60745-2-3:2011 + A2:2013 + A11:2014

+ A12:2014 + A13:2015

Estes produtos estão também em conformidade com a Diretiva 2014/30/UE e 2011/65/UE.

Para obter mais informações, contacte a Stanley Europe no endereço indicado ou consulte a parte posterior do manual. O signatário é responsável pela compilação do ficheiro técnico e efetua esta declaração em nome da Stanley Europe.

Ray Laverick

Diretor de Engenharia

Stanley Europe, Egide Walschaertsstraat14-18,

2800 Mechelen, Bélgica

18/09/2017

Garantia

A Stanley Fat Max confia na qualidade dos seus produtos e oferece aos clientes uma garantia de 12 meses a partir da data de compra. Esta garantia é um complemento dos seus direitos estabelecidos por lei, não os prejudicando de forma alguma. A garantia é válida nos Estados-membros da União Europeia e nos países-membros da Zona Europeia de Comércio Livre.

Para acionar a garantia, esta deve estar em conformidade com os termos e condições da Stanley Fat Max e terá de apresentar comprovativos de compra ao vendedor ou a um agente de reparação autorizado. Os termos e condições da garantia de 1 ano da Stanley Fat Max e a localização do agente de reparação autorizado mais próximo podem ser obtidos na Internet em www.2helpU.com ou contactando uma filial da Stanley Fat Max cuja morada está indicada neste manual.

Przeznaczenie

Szlifierki kątowe Stanley FatMax KFFMEG220 są przeznaczone do szlifowania i cięcia metalu oraz muru za pomocą odpowiedniej tarczy szlifierskiej lub tnącej. Te narzędzia muszą być wyposażone w odpowiednią osłonę i są przeznaczone do użytku profesjonalnego oraz amatorskiego.

Zasady bezpiecznej pracy

Ogólne wskazówki dotyczące bezpiecznej pracy elektronarzędziami



Ostrzeżenie! Zapoznać się ze wszystkimi ostrzeżeniami dotyczącymi bezpiecznej pracy oraz z instrukcją obsługi. Niestosowanie się do ostrzeżeń i zaleceń zawartych w tej instrukcji obsługi może być przyczyną porażenia prądem elektrycznym, pożaru i/lub poważnego zranienia.

Zachować wszystkie instrukcje i informacje dotyczące bezpiecznej pracy, aby móc korzystać z nich w przyszłości. Pojęcie „elektronarzędzie” używane w niniejszej instrukcji, oznacza narzędzie zasilane z sieci elektrycznej (przewodem zasilającym) lub akumulatorami (bezprowodowe).

1. Bezpieczeństwo w miejscu pracy

- a. **Miejsce pracy musi być czyste i dobrze oświetlone.** Miejsca ciemne i takie, w których panuje nieporządek, stwarzają ryzyko wypadku.
- b. **Nie wolno używać elektronarzędzi w strefach zagrożenia wybuchem, w pobliżu palnych cieczy, gazów, czy pyłów.** Elektronarzędzia mogą wytworzyć iskry powodujące zapłon pyłów lub oparów.
- c. **W czasie pracy elektronarzędziami nie pozwalają na przebywanie w pobliżu dzieci i innych osób postronnych.** Chwila nieuwagi może spowodować utratę kontroli nad narzędziem.

2. Ochrona przed porażeniem prądem elektrycznym

- a. **Gniazdo musi być dostosowane do wtyczki elektronarzędzia. Nie wolno przerabiać wtyczek. Nie używać żadnych łączników lub rozdzielaczy elektrycznych z uziemnionymi elektronarzędziami.** Nieprzerabianie wtyczki i odpowiednie gniazda zmniejszają ryzyko porażenia prądem elektrycznym.
- b. **Należy unikać bezpośredniej styczności z uziemnionymi lub zerowanymi powierzchniami, takimi jak rurociągi, grzejniki, kuchenki i lodówki.** Ryzyko porażenia prądem elektrycznym wzrasta, jeśli Twoje ciało jest uziemione.
- c. **Nie narażać elektronarzędzi na działanie deszczu lub zwiększonej wilgotności.**

Dostanie się wody do wnętrza elektronarzędzia zwiększa ryzyko porażenia prądem elektrycznym.

- d. **Nie wolno ciągnąć za przewód zasilający. Nie wolno ciągnąć, podnosić ani wyciągać wtyczki z gniazda, poprzez ciągnięcie za kabel zasilający narzędzia. Chronić kabel zasilający przed kontaktem z gorącymi elementami, olejami, ostrymi krawędziami i ruchomymi częściami.** Uszkodzenie lub zaplątanie przewodu zasilającego zwiększa ryzyko porażenia prądem elektrycznym.
 - e. **W czasie eksploatacji elektronarzędzi poza pomieszczeniami zamkniętymi należy używać przystosowanych do tego przedłużaczy.** Korzystanie z przedłużaczy przystosowanych do użycia na zewnątrz budynków zmniejsza ryzyko porażenia prądem.
 - f. **Jeśli zachodzi konieczność używania narzędzia w wilgotnym otoczeniu, należy używać źródła zasilania zabezpieczonego wyłącznikiem różnicowoprądowym.** Stosowanie wyłączników różnicowoprądowych zmniejsza ryzyko porażenia prądem elektrycznym.
- ### 3. Środki ochrony osobistej
- a. **W czasie pracy elektronarzędziem zachować czujność, patrzeć uważnie i kierować się zdrowym rozsądkiem. Nie używać elektronarzędzia w stanie zmęczenia, pod wpływem narkotyków, alkoholu lub leków.** Nawet chwila nieuwagi w czasie pracy elektronarzędziem może doprowadzić do poważnych obrażeń ciała.
 - b. **Używać środków ochrony osobistej. Zawsze zakładać okulary ochronne.** Używanie, w miarę potrzeb, środków ochrony osobistej, takich jak maska przeciwpyłowa, buty ochronne z antypoślizgową podeszwą, kask czy ochronniki słuchu, zmniejsza ryzyko odniesienia uszczerbku na zdrowiu.
 - c. **Zapobiegać przypadkowemu włączeniu. Przed przyłączeniem do zasilania i/lub włożeniem akumulatorów oraz przed podniesieniem i przenoszeniem narzędzia, upewnić się, że wyłącznik znajduje się w pozycji „wyłączone”.** Trzymanie palca na wyłączniku podczas przenoszenia lub podłączenie włączonego narzędzia do zasilania łatwo staje się przyczyną wypadków.
 - d. **Przed włączeniem elektronarzędzia usunąć wszelkie klucze lub narzędzia do regulacji.** Pozostawienie klucza lub narzędzia do regulacji połączonego z częściami wirującymi elektronarzędzia może spowodować uszkodzenie ciała.
 - e. **Nie wychylać się nadmiernie. Przez cały czas zachowywać solidne oparcie nóg i równowagę.** Dzięki temu ma się lepszą kontrolę nad elektronarzędziem w nieoczekiwanych sytuacjach.

- f. **Zakładać odpowiednią odzież. Nie nosić luźnych ubrań ani biżuterii. Trzymać włosy, ubranie i rękawice z dala od ruchomych elementów.** Luźne ubranie, biżuteria lub długie włosy mogą zostać pochwycone przez ruchome części.
- g. **Jeśli sprzęt jest przystosowany do przyłączenia urządzeń odprowadzających i zbierających pył, upewnić się, czy są one przyłączone i właściwie użytkowane.** Używanie takich urządzeń zmniejsza zagrożenia związane z obecnością pyłów.

4. Obsługa i konserwacja elektronarzędzi

- a. **Nie przeciążać elektronarzędzia. Używać elektronarzędzi odpowiednich do rodzaju wykonywanej pracy.** Dzięki odpowiednim elektronarzędziom wykona się pracę lepiej i w sposób bezpieczny, w tempie, do jakiego narzędzie zostało zaprojektowane.
- b. **Nie wolno używać elektronarzędzia z zepsutym wyłącznikiem, który nie pozwala na sprawne włączanie i wyłączanie.** Narzędzie, którego nie można kontrolować za pomocą włącznika, nie może być używane i musi zostać naprawione.
- c. **Przed przystąpieniem do regulacji, wymiany akcesoriów oraz przed schowaniem elektronarzędzia, należy odłączyć wtyczkę od źródła zasilania i/lub odłączyć akumulator od urządzenia.** Takie środki zapobiegawcze zmniejszają ryzyko przypadkowego uruchomienia elektronarzędzia.
- d. **Nie używane elektronarzędzie przechowywać poza zasięgiem dzieci i nie dopuszczać osób nie znających elektronarzędzia lub tej instrukcji do posługiwania się elektronarzędziem.** Elektronarzędzia są niebezpieczne w rękach niewprawnego użytkownika.
- e. **Regularnie dokonywać konserwacji elektronarzędzi. Sprawdzić, czy ruchome części są właściwie połączone i zamocowane, czy części nie są uszkodzone oraz skontrolować wszelkie inne elementy mogące mieć wpływ na pracę elektronarzędzia.** Wszystkie uszkodzenia należy naprawić przed rozpoczęciem użytkowania. Wiele wypadków jest spowodowanych źle utrzymanymi elektronarzędziami.
- f. **Dbać o czystość narzędzi i ostrość elementów tnących.** Prawidłowo utrzymane narzędzia do cięcia o ostrych krawędziach tnących rzadziej się zakleszczają i są łatwiejsze do kontrolowania.
- g. **Elektronarzędzi, akcesoriów i końcówek itp., należy używać zgodnie z instrukcją obsługi, uwzględniając warunki i rodzaj wykonywanej pracy.** Użycie elektronarzędzi niezgodnie z przeznaczeniem może być bardzo niebezpieczne.

5. Naprawy

- a. **Powierzać naprawy elektronarzędzi wyłącznie osobom wykwalifikowanym, używającym identycznych części zamiennych.** Zagwarantuje to bezpieczeństwo elektronarzędzia.

Bezpieczne użytkowanie elektronarzędzi - wskazówki dodatkowe



Ostrzeżenie! Wskazówki bezpieczeństwa dotyczące szlifowania, ścierania, polerowania, szczotkowania oraz cięcia:

- ◆ **Opisywane elektronarzędzie przeznaczone jest do szlifowania, ścierania, szczotkowania i cięcia. Należy zapoznać się ze wszystkimi zaleceniami dotyczącymi bezpieczeństwa i obsługi oraz rysunkami i danymi umieszczonymi w dołączonej do elektronarzędzia instrukcji obsługi.**
Niestosowanie się do wszystkich poniższych instrukcji może stać się przyczyną porażenia prądem elektrycznym, pożaru i/lub poważnego zranienia.
- ◆ **Nie zaleca się wykonywania przy pomocy tego elektronarzędzia czynności, takich jak polerowanie lub odcinanie.** Użycie elektronarzędzia niezgodnie z przeznaczeniem może być niebezpieczne i spowodować zranienie.
- ◆ **Nie wolno używać akcesoriów, które nie są specjalnie zaprojektowane i zalecane przez producenta narzędzia.** Sama możliwość przyłączenia akcesoriów nie zapewnia bezpieczeństwa ich użytkowania.
- ◆ **Znamionowa prędkość robocza używanych akcesoriów musi być przynajmniej równa maksymalnej prędkości roboczej elektronarzędzia.** Użycie akcesoriów nieprzystosowanych do pracy z taką prędkością może spowodować ich pęknięcie i rozrzuconie.
- ◆ **Średnica zewnętrzna i grubość akcesoriów musi mieścić się w przedziale podanym dla danego elektronarzędzia.** Użycie akcesoriów o złych wymiarach nie pozwala na odpowiednią ich osłonę i kontrolę pracy.
- ◆ **Mocowanie gwintowe akcesoriów musi pasować do gwintu wrzeciona szlifierki.**
W przypadku akcesoriów montowanych przy pomocy podkładek kołnierзовych, otwór trzpienia akcesorium musi pasować do średnicy montażowej podkładki kołnierżowej. Akcesoria, które nie pasują do elementów mocujących elektronarzędzia, nie będą wyważone, będą wpadać w nadmierne drgania i mogą powodować utratę kontroli nad urządzeniem.
- ◆ **Nie używać uszkodzonych akcesoriów.** Przed każdym użyciem należy sprawdzić stan akcesoriów - czy tarcze nie są pęknięte, połamane lub rozwarstwione, czy szczytki nie mają poluzowanego wlosia.

Jeśli elektronarzędzie upadnie, należy sprawdzić, czy nie uległo uszkodzeniu i ewentualne uszkodzone części wymienić. Po sprawdzeniu i zamocowaniu danego akcesorium, należy włączyć urządzenie z pełną prędkością na jedną minutę. Uszkodzone akcesoria zwykle pękają w czasie takiego testu.

- ◆ **Należy używać środków ochrony osobistej. W zależności od wykonywanej pracy, należy używać osłony na twarz, gogli lub okularów ochronnych. W razie potrzeby należy zakładać maskę ochronną, ochronę słuchu, rękawice i fartuch, które zatrzymają drobne cząsteczki lub fragmenty obrabianego materiału.** Ochrona oczu musi zatrzymywać cząsteczki powstające w trakcie prac różnego rodzaju. Rodzaj maski przeciwpylowej lub oddechowej należy dobrać w zależności od rodzaju przeprowadzanych prac. Długotrwała ekspozycja na hałas o dużym natężeniu może spowodować uszkodzenie słuchu.
- ◆ **Osoby postronne powinny znajdować się w bezpiecznej odległości od miejsca pracy. Każda osoba zbliżająca się do miejsca pracy musi być wyposażona w sprzęt ochrony osobistej.** Części obrabianego elementu lub pękniętych akcesoriów mogą zostać odrzucone na dużą odległość i zranić osoby przebywające także poza bezpośrednią bliskością miejsca pracy.
- ◆ **W przypadku prac, w czasie których może dojść do przecięcia własnego lub ukrytych przewodów, należy trzymać urządzenie wyłącznie za izolowane uchwyty.** Przecięcie przewodu pod napięciem może spowodować pojawienie się napięcia na metalowych częściach obudowy i porażenie prądem operatora.
- ◆ **Używać zacisków lub innego wygodnego sposobu zamocowania obrabianego elementu do stabilnego podłoża.** Trzymanie obrabianego elementu w rękach lub oparcie go o ciało nie daje dostatecznej stabilizacji i może spowodować utratę kontroli nad narzędziem.
- ◆ **Trzymać kabel zasilający z dala od wirujących elementów urządzenia.** W razie utraty kontroli, przewód może zostać przecięty lub nawinięty, a dłoń lub ramię wciągnięte w element wirujący.
- ◆ **Nie wolno odkładać urządzenia, dopóki tarcza nie zatrzyma się całkowicie.** Ruchove elementy mogą zaczepić się o podłoże i niekontrolowanie pociągnąć narzędzie.
- ◆ **Nie wolno uruchamiać narzędzia w czasie przenoszenia i gdy jest blisko ciała.** Przypadkowy kontakt z wirującym elementem może spowodować wciągnięcie ubrania i przyciągnięcie narzędzia do ciała.
- ◆ **Okresowo czyścić otwory wentylacyjne elektronarzędzia.** Wentylator silnika wciąga zabrudzenia, których duże nagromadzenie może powodować zagrożenie porażeniem prądem elektrycznym.

- ◆ **Nie wolno uruchamiać elektronarzędzia w pobliżu palnych materiałów.** Powstające iskry mogą spowodować zapłon tych materiałów.
- ◆ **Nie wolno używać akcesoriów, które wymagają chłodzenia cieczą.** Użycie wody lub innych płynów do chłodzenia może spowodować porażenie prądem elektrycznym.

Uwaga: Powyższe ostrzeżenie nie dotyczy elektronarzędzi specjalnie przystosowanych do chłodzenia cieczą.

Niebezpieczeństwem gwałtownego odrzutu - ostrzeżenia

Gwałtowny odrzut narzędzia jest to nagła reakcja na zatrzymanie lub zaklinowanie tarczy wirującej, podkładki szlifierskiej, szczotki lub innych akcesoriów. Zakleszczenie lub ściskanie powoduje gwałtowne zatrzymanie elementu wirującego, co w efekcie wymusza obrót narzędzia w kierunku przeciwnym do obrotu tarczy wokół miejsca zakleszczenia.

Na przykład, jeśli tarcza szlifierska zaklinuje się w obrabianym elemencie, brzeg tarczy może wbić się w powierzchnię materiału i spowodować przetoczenie się tarczy lub jej gwałtowne odepchnięcie. Tarcza może wyskoczyć w kierunku operatora lub w drugą stronę, w zależności od kierunku obrotów w chwili zakleszczenia. W takim przypadku może także pęknąć tarcza szlifierska.

Zjawisko gwałtownego odrzutu szlifierki jest wynikiem niewłaściwego zastosowania i/lub niewłaściwego postępowania lub warunków pracy. Można mu zapobiegać podejmując opisane niżej działania:

- ◆ **Mocno trzymać elektronarzędzie za uchwyty oraz ustawić się w takiej pozycji, aby móc przeciwstawić się siłom odrzutu. Należy zawsze używać dołączonego uchwyty pomocniczego, który umożliwi maksymalną kontrolę nad siłami gwałtownego odrzutu lub momentem obrotowym powstającym w czasie rozruchu.** Operator może opanować gwałtowne ruchy narzędzia, jeśli podejmie odpowiednie środki zapobiegawcze.
- ◆ **Nie wolno zbliżać ręki do wirujących akcesoriów.** Gwałtowny odrzut może spowodować dotknięcie elementu do ręki.
- ◆ **Nie wolno ustawiać się w obszarze, w który może zostać odepchnięte narzędzie.** Narzędzie zostanie odrzucone w kierunku przeciwnym do kierunku obrotu tarczy.
- ◆ **Zachować szczególną ostrożność w czasie pracy w rogach, obróbki ostrych krawędzi, itp. Unikać podskakiwania i zaczepiania tarczy.** W przypadku pracy w narożnikach lub przy ostrych krawędziach, tarcza ma tendencję do obsuwania się, co prowadzi do utraty kontroli nad narzędziem.
- ◆ **Nie wolno zakładać tarcz z łańcuchem lub zębami.**

Użycie takich tarcz powoduje częsty odrzut narzędzia i utratę kontroli nad nim.

Dodatkowe instrukcje bezpieczeństwa dotyczące szlifowania oraz ścinania szlifierką.

- ◆ **Stosować wyłącznie tarcze dopuszczone do zastosowania w danym narzędziu oraz osłonę przystosowaną do danej tarczy.** Tarcze, które nie są przeznaczone do danego narzędzia, nie są odpowiednio osłonięte, dlatego ich wykorzystanie stwarza niebezpieczeństwo.
- ◆ **Powierzchnia szlifująca tarczy z obniżonym (wkłęsłym) środkiem musi być zamocowana poniżej płaszczyzny krawędzi osłony.** Błędnie zamocowana tarcza wystająca poza płaszczyznę krawędzi osłony nie będzie odpowiednio zabezpieczona.
- ◆ **Osłona musi być pewnie zamocowana do narzędzia oraz ustawiona tak, aby jak najmniejsza część tarczy była odsłonięta po stronie operatora, co zapewni najwyższy możliwy poziom zabezpieczenia.** Osłona pozwala chronić operatora przed obrażeniami ciała spowodowanymi fragmentami pękniętej tarczy oraz przed przypadkowym kontaktem z tarczą i iskrami, które mogłyby spowodować zapłon odzieży.
- ◆ **Tarcze muszą być dostosowane do danego zastosowania. Na przykład: nie należy szlifować boczną stroną tarczy tnącej.** Tarcze tnące są przeznaczone do pracy zewnętrzną krawędzią; przyłożenie do takiej tarczy siły bocznej może spowodować jej rozerwanie.
- ◆ **Stosować wyłącznie podkładki kołnierżowe w dobrym stanie, o prawidłowej wielkości oraz kształcie dobranym do danej tarczy.** Prawidłowo dobrana podkładka kołnierżowa dociska tarczę, co zmniejsza niebezpieczeństwo jej pęknięcia. Podkładki kołnierżowe tarcz tnących mogą się różnić od podkładek tarcz przeznaczonych do szlifowania.
- ◆ **Nie stosować zużytych tarcz z większych narzędzi.** Tarcze przeznaczone do większych narzędzi nie są przystosowane do większej prędkości mniejszych narzędzi i mogą pęknąć.

Dodatkowe wskazówki bezpieczeństwa dotyczące pracy przy ścinaniu szlifierką

- ◆ **Nie wolno zbyt mocno dociskać tarczy i doprowadzać do jej zatrzymania. Nie wolno wykonywać zbyt głębokich cięć.** Przeciążenie tarczy zwiększa obciążenie urządzenia oraz prawdopodobieństwo wygięcia i zaklinowania tarczy w szczelinie oraz możliwość gwałtownego odrzutu szlifierki lub połamania tarczy.
- ◆ **Nie wolno ustawiać się w linii obrotu oraz za wirującą**

tarczą. Jeśli tarcza w miejscu kontaktu z materiałem obraca się w kierunku od operatora, wzrasta prawdopodobieństwo odrzucenia narzędzia w kierunku operatora, gdy dojdzie do gwałtownego odrzutu szlifierki.

- ◆ **W razie zaklinowania tarczy lub przerwania pracy z innego powodu, należy wyłączyć elektronarzędzie i trzymać je nieruchomo, aż do całkowitego zatrzymania tarczy. Nigdy nie wolno próbować wyjąć tarczy tnącej ze szczeliny cięcia w czasie, gdy tarcza się obraca, ponieważ może to spowodować gwałtowne odrzucenie szlifierki.** Należy sprawdzić przyczynę blokowania tarczy i zapobiegać im.
- ◆ **Nie wolno wznawiać cięcia, gdy tarcza wsunięta jest do szczeliny cięcia. Pozwolić na całkowite rozpedzenie się tarczy i dopiero wtedy kontynuować cięcie.** Tarcza może się zakleszczyć, przetoczyć lub wyskoczyć w przypadku ponownego włączenia urządzenia, gdy tarcza jest w szczelinie.
- ◆ **Duże elementy i płyty należy podeprzeć tak, aby zmniejszyły ryzyko przycięcia tarczy i gwałtownego odrzutu.** Duże elementy opadają pod własnym ciężarem. Podpory należy umieścić od spodu, na brzegu elementu oraz w pobliżu linii cięcia, po obu stronach tarczy.
- ◆ **Należy zachować szczególną ostrożność w czasie wcinania się w istniejącą ścianę lub inne osłonięte miejsca.** Tarcza może przeciąć ukryte rury z wodą, gazem, przewody z prądem lub inne elementy, co spowoduje gwałtowny odrzut szlifierki.

Zasady bezpiecznej pracy szlifierkami - szlifowanie

- ◆ **Nie wolno używać zbyt dużych dysków papieru szlifierskiego. Przy wyborze dysków uwzględnić zalecenia producenta.** Dyski papieru ściernego wystające ponad podkładkę szlifierską są niebezpieczne - mogą spowodować zranienie, zniszczenie podkładki lub zjawisko gwałtownego odrzutu szlifierki.

Ostrzeżenia dotyczące pracy ze szczotkami:

- ◆ **Uważać, ponieważ włosie szczotki wylatuje nawet w czasie wykonywania zwykłych prac. Nie należy przeciążać szczotki przez zbyt mocne dociskanie.** Włoski ze szczotki łatwo przechodzą przez lekkie ubranie i/lub skórę.
- ◆ **Jeśli użycie osłony jest zalecane, nie wolno dopuszczać do tarcia szczotki o osłonę.** Średnica tarcz drucianych i szczotek może się zwiększać w czasie pracy pod obciążeniem lub w wyniku działania sił odśrodkowych.

Bezpieczeństwo osób postronnych

- ◆ **Opisywane urządzenie nie jest przeznaczone do użycia przez osoby o obniżonych możliwościach fizycznych, ruchowych lub umysłowych (także dzieci) lub o zbyt małej wiedzy i doświadczeniu, jeśli nie zostały one przeszkolone**

lub nie pozostają pod opieką osoby odpowiedzialnej za ich bezpieczeństwo.

- ◆ Należy pilnować dzieci, aby nie bawiły się urządzeniem.

Pozostałe zagrożenia.

W czasie pracy narzędziem mogą powstać zagrożenia, które nie zostały uwzględnione w załączonej instrukcji dotyczącej bezpiecznego użytkowania.

Zagrożenia te mogą wynikać z niewłaściwego użytkowania, zbyt intensywnej eksploatacji lub innych przyczyn.

Nawet w przypadku przestrzegania zasad bezpiecznej pracy i stosowania środków ochronnych, nie jest możliwe uniknięcie pewnych zagrożeń. Należą do nich:

- ◆ Zranienia wynikające z dotknięcia wirujących/ruchomych elementów.
- ◆ Zranienia w czasie wymiany części, ostrzy lub akcesoriów.
- ◆ Zranienia związane ze zbyt długotrwałym używaniem narzędzia. Pracując przez dłuższy czas jakimkolwiek narzędziem, należy robić regularne przerwy.
- ◆ Uszkodzenie narządu słuchu.
- ◆ Zagrożenie dla zdrowia spowodowane wdychaniem pyłu wytwarzanego podczas użytkowania urządzenia (np.: podczas pracy w drewnie, szczególnie dębowym, bukowym oraz MDF.)

Drgania

Podawana w tabeli danych technicznych oraz w deklaracji zgodności z normami wartość drgań została zmierzona zgodnie ze standardową procedurą zawartą w normie EN 60745. Informacja ta może służyć do porównywania tego narzędzia z innymi. Deklarowana wartość emitowanych drgań może również służyć do przewidywania stopnia narażenia użytkownika na wibracje.

Ostrzeżenie! Chwilowa siła drgań, występująca w czasie pracy elektronarzędziem, może odbiegać od podawanych wartości, w zależności od sposobu użytkowania urządzenia. Poziom drgań może przekroczyć podawaną wartość.

Przy określaniu ekspozycji na drgania, w celu podjęcia środków ochrony osób zawodowo użytkujących elektronarzędzia, zgodnie z dyrektywą 2002/44/WE, należy uwzględnić rzeczywiste warunki i rodzaj wykonywanej pracy. Także okresy przestoju i pracy bez obciążenia.

Symbole na urządzeniu

Na narzędziu znajdują się następujące piktogramy oraz kod daty:



Ostrzeżenie! Aby zminimalizować ryzyko zranienia, użytkownik musi zapoznać się z instrukcją obsługi.



W czasie pracy opisywanym narzędziem nosić okulary ochronne albo gogle.



Stosować ochronę słuchu w czasie pracy tym narzędziem

Ochrona przed porażeniem prądem elektrycznym



Ładowarka ma podwójną izolację, dlatego też przewód uziemiający nie jest potrzebny. Należy zawsze upewnić się, czy napięcie zasilania odpowiada napięciu podanemu na tabliczce znamionowej.

- ◆ Ze względów bezpieczeństwa wymianę uszkodzonego przewodu zasilającego należy powierzyć producentowi lub autoryzowanemu centrum serwisowemu Stanley Fat Max.

Spadki napięcia

Prąd rozruchowy może powodować krótkie spadki napięcia. W niekorzystnych warunkach zasilania może to wpływać na inne urządzenia.

Jeśli impedancja układu zasilania jest niższa od 0,107 Ω , prawdopodobieństwo występowania zakłóceń jest niskie

Wypośażenie

Opisywane urządzenie wyposażone jest w kilka lub wszystkie z poniższych elementów.

1. Włącznik
2. Blokada wrzeczona
3. Osłona
4. Uchwyt boczny

Montaż

Ostrzeżenie! Przed rozpoczęciem montażu upewnić się, czy narzędzie jest wyłączone i wtyczka zasilania jest odłączona.

Montaż i demontaż osłony (rys. A)

Opisywane urządzenie wyposażone jest w osłonę przeznaczoną wyłącznie do szlifowania (typ 27). W przypadku cięcia należy założyć inną, przeznaczoną do tego osłonę (typ 41). Dostępne są odpowiednie osłony o numerach części N551980 (do tarczy tnącej 115 mm) oraz N542445 (do tarczy tnącej 125 mm), które można zakupić w centrach serwisowych Fat Max. **Montaż**

- ◆ Położyć narzędzie na stole z wrzeczonym (4) skierowanym do góry.
- ◆ Zwolnić blokadę zaciskową (5) i trzymać osłonę (3) nad narzędziem, zgodnie z ilustracją.
- ◆ Dopasować wypusty (6) do nacięć (7).
- ◆ Wcisnąć osłonę w dół i obrócić ją przeciwnie do wskazówek zegara w wymagane położenie.
- ◆ Zapiąć blokadę zaciskową (5), aby przymocować osłonę do narzędzia.

- ◆ W razie potrzeby dokręcić śrubę (8), aby zwiększyć siłę docisku.

Demontaż

- ◆ Zwolnić blokadę zaciskową (5).
- ◆ Obrócić osłonę zgodnie ze wskazówkami zegara, aby dopasować wypusty (6) do nacięć (7).
- ◆ Zdemontować osłonę z narzędzia.

Ostrzeżenie! Nie wolno używać narzędzia bez osłony.

Montaż uchwytu bocznego

- ◆ Wkręcić uchwyt boczny (4) w otwór montażowy w narzędziu.

Ostrzeżenie! Zawsze używać uchwytu bocznego.

Montaż i demontaż tarcz szlifierskich (rys. B - D)

Zawsze używać tarczy przeznaczonej do danej pracy. Używać tylko tarcz o właściwej średnicy i wielkości otworu tarczy (patrz dane techniczne).

Montaż

- ◆ Zamocować osłonę, postępując zgodnie z powyższą instrukcją.
- ◆ Umieścić wewnętrzną podkładkę kołnierзовą (9) na wrzecionie (4), jak pokazano na rysunku (rys. B). Upewnić się, że podkładka kołnierзова jest umiejscowiona prawidłowo i przylega gładką stroną do wrzeciona.
- ◆ Umieścić tarczę (10) na wrzecionie (4), jak pokazano na rysunku (rys. B). Jeśli tarcza posiada wypuklenie na środku (11), powinno znajdować się ono od strony wewnętrznej podkładki kołnierзовой.
- ◆ Upewnić się czy tarcza jest prawidłowo umieszczona na wewnętrznej podkładce kołnierзовой.
- ◆ Złożyć wewnętrzną podkładkę kołnierзовą (12) na wrzecionie. Jeśli montowana jest tarcza szlifierska, wypukły środek zewnętrznej podkładki kołnierзовой musi być skierowany do wewnątrz (A na rys. C). Jeśli montowana jest tarcza tnąca, wypukły środek zewnętrznej podkładki kołnierзовой musi być skierowany na zewnątrz (B na rys. C).
- ◆ Trzymać wciśniętą blokadę wrzeciona (2) i dokręcić zewnętrzną podkładkę kołnierзовą za pomocą klucza z dwoma trzpieniami (13) (rys. D).

Demontaż

- ◆ Trzymać wciśniętą blokadę wrzeciona (2) i poluzować zewnętrzną podkładkę kołnierзовą (12) za pomocą klucza z dwoma trzpieniami (13) (rys. D).
- ◆ Zdjąć zewnętrzną podkładkę kołnierзовą (12) i tarczę (10).

Szlifowanie płaszczyszyn z użyciem tarcz do szlifowania

- ◆ Poczekać, aż narzędzie osiągnie maksymalne obroty, przed zetknięciem go z obrabianą powierzchnią.
- ◆ Docisnąć narzędzie do obrabianej powierzchni z minimalną siłą, pozwalając narzędziu pracować na pełnych obrotach. Skuteczność szlifowania jest najwyższa, gdy narzędzie pracuje z wysokimi obrotami.
- ◆ Utrzymywać kąt od 20° do 30° między narzędziem a obrabianą powierzchnią zgodnie z rysunkiem F.
- ◆ Stałe przesuwając narzędzie naprzód i wstecz, aby uniknąć wykonania wyżłobień w obrabianej powierzchni.
- ◆ Podnieść narzędzie nad obrabianą powierzchnię przed jego wyłączeniem. Przed odłożeniem narzędzia poczekać, aż przestanie się obracać.

Szlifowanie krawędzi z użyciem tarcz do szlifowania

Tarcze stosowane do cięcia i szlifowania krawędzi mogą pęknąć lub zostać odrzucone, jeśli zostaną zgięte lub skręcone podczas stosowania narzędzia do odcinania lub głębokiego szlifowania. Szlifowanie krawędzi/cięcie tarczą typu 27 musi być ograniczone do płytkiego cięcia i nacinania - na głębokość mniejszą niż 13 mm - gdy tarcza jest nowa. Ograniczać głębokość cięcia/nacinania odpowiednio do zmniejszania się promienia tarczy podczas jej zużywania. Patrz „Tabela akcesoriów do szlifowania i cięcia” na końcu tej instrukcji, aby uzyskać więcej informacji. Szlifowanie krawędzi/cięcie tarczą typu 41 wymaga stosowania osłony typu 41.

- ◆ Poczekać, aż narzędzie osiągnie maksymalne obroty, przed zetknięciem go z obrabianą powierzchnią.
- ◆ Docisnąć narzędzie do obrabianej powierzchni z minimalną siłą, pozwalając narzędziu pracować na pełnych obrotach. Skuteczność szlifowania jest najwyższa, gdy narzędzie pracuje z wysokimi obrotami.
- ◆ Ustawić się tak, aby otwarta dolna strona tarczy była skierowana tyłem do operatora.
- ◆ Po rozpoczęciu cięcia i wykonaniu nacięcia w obrabianym przedmiocie nie zmieniać kąta cięcia. Zmiana kąta spowoduje zgięcie tarczy i może prowadzić do jej pęknięcia. Tarcze do szlifowania krawędzi nie są przeznaczone do wytrzymywania nacisku bocznego powodowanego przez zginanie.
- ◆ Podnieść narzędzie nad obrabianą powierzchnię przed jego wyłączeniem. Przed odłożeniem narzędzia poczekać, aż przestanie się obracać.

Ostrzeżenie! Nie stosować tarcz do szlifowania krawędzi/cięcia

do szlifowania płaszczyszyn, ponieważ nie są one przeznaczone do wytrzymywania nacisku bocznego występującego podczas szlifowania płaszczyszyn. W przeciwnym razie może dojść do pęknięcia tarczy i poważnych obrażeń ciała.

Montaż i demontaż tarcz polerskich (rys. D i E)

Do polerowania potrzebna jest specjalna podkładka.

Podkładki można nabyć u najbliższego sprzedawcy Stanley Fat Max.

Montaż

- ◆ Umieścić wewnętrzną podkładkę kołnierkową (9) na wrzecionie (4), jak pokazano na rysunku (rys. E). Upewnić się, że podkładka kołnierkowa jest umiejscowiona prawidłowo i przylega gładką stroną do wrzeciona.
- ◆ Nałożyć podkładkę szlifierską (14) na wrzeciono.
- ◆ Umieścić tarczę ścierną (15) na podkładce.
- ◆ Umieścić zewnętrzną podkładkę kołnierkową (12) na wrzecionie tak, aby gładka strona przylegała do tarczy.
- ◆ Trzymać wciśniętą blokadę wrzeciona (2) i dokręcić zewnętrzną podkładkę kołnierkową za pomocą klucza z dwoma trzpieniami (13) (rys. D).
Upewnić się, że zewnętrzna podkładka kołnierkowa została zamontowana poprawnie oraz tarcza przylega ciasno.

Demontaż

- ◆ Trzymać wciśniętą blokadę wrzeciona (2) i poluzować zewnętrzną podkładkę kołnierkową (12) za pomocą klucza z dwoma trzpieniami (13) (rys. D).
- ◆ Zdjąć zewnętrzną podkładkę kołnierkową (12), tarczę ścierną (15) i podkładkę szlifierską (14).

Wykańczanie powierzchni tarczami polerskimi

- ◆ Poczekać, aż narzędzie osiągnie maksymalne obroty, przed zetknięciem go z obrabianą powierzchnią.
- ◆ Dociskać narzędzie do obrabianej powierzchni z minimalną siłą, pozwalając narzędziu pracować na pełnych obrotach. Skuteczność szlifowania jest najwyższa, gdy narzędzie pracuje z wysokimi obrotami.
- ◆ Utrzymywać kąt od 5° do 10° między narzędziem a obrabianą powierzchnią zgodnie z rysunkiem G.
- ◆ Stałe przesuwac narzędzie naprzód i wstecz, aby uniknąć wykonania wyżłobień w obrabianej powierzchni.
- ◆ Podnieść narzędzie nad obrabianą powierzchnię przed jego wyłączeniem. Przed odłożeniem narzędzia poczekać, aż przestanie się obracać.

Korzystanie z podkładek do szlifowania/polerowania

Zawsze wybierać tarczę do polerowania o odpowiedniej wielkości ziarna w zależności od zastosowania. Dostępne są tarcze do polerowania/szlifowania z różnymi wielkościami ziarna. Większe ziarna zapewniają szybsze usuwanie materiału i uzyskanie bardziej szorstkiej powierzchni. Mniejsze ziarna zapewniają wolniejsze usuwanie materiału i uzyskanie bardziej gładkiej powierzchni. Rozpocząć z użyciem tarczy z dużymi ziarnami, aby szybko usunąć zgrubnie materiał.

Przejdź do papieru ze średnimi ziarnami, a następnie zakończyć tarczą z drobnymi ziarnami, aby uzyskać optymalne wykończenie powierzchni.

- ◆ Zgrubna obróbka = ziarno 16 - 30.
- ◆ Średnie ziarna = ziarno 36 - 80.
- ◆ Dokładne wykańczanie = ziarno 100 - 120.
- ◆ Bardzo dokładne wykańczanie = ziarno 150 - 180.
- ◆ Poczekać, aż narzędzie osiągnie maksymalne obroty, przed zetknięciem go z obrabianą powierzchnią.
- ◆ Dociskać narzędzie do obrabianej powierzchni z minimalną siłą, pozwalając narzędziu pracować na pełnych obrotach. Skuteczność szlifowania jest najwyższa, gdy narzędzie pracuje z wysokimi obrotami.
- ◆ Utrzymywać kąt od 5° do 10° między narzędziem a obrabianą powierzchnią zgodnie z rysunkiem H. Tarcza powinna dotykać około 25 mm obrabianej powierzchni.
- ◆ Poruszać narzędzie ze stałą prędkością po linii prostej, aby zapobiec przypaleniu obrabianej powierzchni i powstaniu na niej spiralnych wzorów. Pozostawienie narzędzia nieruchomo na obrabianej powierzchni lub poruszanie narzędziem ruchami kołowymi powoduje przypalenie obrabianej powierzchni i powstawanie na niej spiralnych wzorów.
- ◆ Podnieść narzędzie nad obrabianą powierzchnię przed jego wyłączeniem. Przed odłożeniem narzędzia poczekać, aż przestanie się obracać.

Środki ostrożności dotyczące szlifowania farby

- ◆ Szlifowanie farb ołowiowych **NIE JEST ZALECANE** z uwagi na trudność panowania nad zanieczyszczonym pyłem. Najbardziej narażone na zatrucie ołowiem są dzieci i kobiety w ciąży.
- ◆ Ponieważ bez wykonania analizy chemicznej stwierdzenie, czy farba zawiera ołów jest trudne, zalecamy stosowanie następujących środków ostrożności podczas szlifowania dowolnej powierzchni pokrytej farbą:
 - ◆ W obszar szlifowania farby nie wolno wchodzić dzieciom ani kobietom w ciąży do czasu zakończenia pracy i sprzątania.
 - ◆ Wszystkie osoby wchodzące w obszar pracy powinny korzystać z masek przeciwpyłowych lub oddechowych. Filtr w masce należy wymieniać codziennie lub niezwłocznie wtedy, gdy osoba nosząca maskę zaczyna odczuwać trudności w oddychaniu.

Uwaga: Stosować wyłącznie maski przeciwpyłowe

przeznaczone do pracy z pyłem farb ołowiowych i ich oparami. Zwykłe maski do malowania nie zapewniają takiej ochrony.

Udaj się do najbliższego sklepu

z narzędziami w celu uzyskania atestowanej maski.

- ◆ **NIE WOLNO JEŚĆ, PIĆ** ani **PALIĆ** w obszarze pracy, aby zapobiec spożyciu zanieczyszczonych cząstek farby.

Pracownicy powinni się umyć PRZED jedzeniem, piciem lub paleniem tytoniu. Żywność, napoje lub papierosy itp. nie powinny być pozostawiane w obszarze pracy, gdzie pył mógłby na nich osiąść.

- ◆ Farbę usuwać w sposób ograniczający ilość powstającego pyłu.
- ◆ Obszary, gdzie prowadzone jest usuwanie farby, powinny zostać szczelnie oddzielone arkuszami tworzywa sztucznego o grubości 0,10 mm.
- ◆ Szlifowanie powinno wykonywane być tak, aby ograniczyć roznoszenie pyłu z farby poza obszar pracy.
- ◆ Wszystkie obrobione powierzchnie należy oczyszczać odkurzaczem i dokładnie myć codziennie, przez cały okres trwania projektu szlifowania. Należy często wymieniać filtry i worki odkurzacza.
- ◆ Plastikowe osłony należy zebrać i zutilizować wraz z wszelkimi wiórami i innymi resztkami z usuwania farby. Należy je umieścić w szczelnych pojemnikach na odpady i usunąć na drodze normalnego odbioru odpadów. Podczas sprzątania dzieci i kobiety w ciąży muszą znajdować się z dala od bezpośredniego miejsca pracy.
- ◆ Wszelkie zabawki, meble nadające się do mycia i przybory używane przez dzieci należy dokładnie umyć przed ponownym użyciem.

Mocowanie i używanie szczotek i tarcz drucianych

Szczotki druciane i tarcze druciane wkręca się bezpośrednio na wrzeciono szlifierki bez użycia kolnierzy. B. Osłona typu 27 jest wymagana podczas używania szczotek i tarcz drucianych. Podczas pracy ze szczotkami i tarczami drucianymi nosić rękawice robocze. Mogą one być ostre. Tarcza lub szczotka nie może dotykać osłony po zamocowaniu lub podczas użytku. Akcesorium może zostać w niewidoczny sposób uszkodzone, powodując rozerwanie drutów szczotki akcesorium.

- ◆ Ręcznie nakręcić tarczę na wrzeciono.
- ◆ Wcisnąć przycisk blokady wrzeciona i użyć klucza do występu środkowego tarczy drucianej lub szczotki w celu dokręcenia tarczy lub szczotki.
- ◆ Aby zdemontować tarczę, wykonać powyższą procedurę w odwrotnej kolejności.

Ostrzeżenie! Niewłaściwe osadzenie otworu tarczy przed włączeniem narzędzia może prowadzić do uszkodzenia narzędzia lub tarczy.

Tarcz i szczotek drucianych można używać do usuwania rdzy, kamienia kotłowego i farby oraz do wygładzania powierzchni nieregularnych.

Uwaga: Podczas usuwania farby szczotką lub tarczą drucianą należy stosować te same środki ostrożności, co przy szlifowaniu farby.

- ◆ Poczekać, aż narzędzie osiągnie maksymalne obroty, przed zetknięciem go z obrabianą powierzchnią.

- ◆ Dociskać narzędzie do obrabianej powierzchni z minimalną siłą, pozwalając narzędziu pracować na pełnych obrotach. Skuteczność usuwania materiału jest najwyższa, gdy narzędzie pracuje z wysokimi obrotami.
- ◆ W przypadku garnkowych szczotek drucianych utrzymywać kąt od 5° do 10° między narzędziem a obrabianą powierzchnią zgodnie z rysunkiem I.
- ◆ W przypadku tarcz drucianych utrzymywać styczność między krawędzią tarczy a obrabianą powierzchnią.
- ◆ Stale przesuwając narzędzie naprzód i wstecz, aby uniknąć wykonania wyżłobień w obrabianej powierzchni. Pozostawienie narzędzia nieruchomo na obrabianej powierzchni lub poruszanie narzędziem ruchami kołowymi powoduje przypalanie obrabianej powierzchni i powstawanie na niej spiralnych wzorów.
- ◆ Podnieść narzędzie nad obrabianą powierzchnią przed jego wyłączeniem. Przed odłożeniem narzędzia poczekać, aż przestanie się obracać.

Ostrzeżenie! Zachować szczególną ostrożność podczas pracy nad krawędzią, ponieważ można w tej sytuacji spodziewać się nagłego i gwałtownego ruchu szlifierki.

Montaż i stosowanie tarcz tnących (typu 41)

Do tarcz tnących zalicza się tarcze diamentowe i tarcze ścierne. Dostępne są ścierne tarcze tnące do metalu i betonu. Można również stosować tarcze tnące do cięcia betonu.

UWAGA: Zamknięta dwustronna osłona do tarcz tnących typu 41 jest sprzedawana oddzielnie i wymagana podczas korzystania z tarcz tnących. Nieużycie prawidłowej podkładki kolnierkowej i prawidłowej osłony może powodować obrażenia ciała w wyniku pęknięcia tarczy i zetknięcia się z tarczą. Do tarcz tnących należy stosować podkładki kolnierkowe i gwintowane nakrętki zaciskowe (dołączone do narzędzia) o dopasowanej średnicy.

Montaż zamkniętej osłony (typu 41) (rys. J, K, L)

- ◆ Dopasować trzy wypusty na osłonie (7) do trzech szczelin w piaście. Spowoduje to dopasowanie wypustów do szczelin w osłonie obudowy przekładni zgodnie z rysunkiem J.
- ◆ Nacisnąć osłonę w dół, aż jej wypust zablokuje się w rowku na piaście obudowy przekładni zgodnie z rysunkiem K.
- ◆ Obrócić osłonę (7) przeciwnie do wskazówek zegara, aby ją zablokować. Korpus osłony powinien być ustawiony między wrzecionem a operatorem, aby zapewnić optymalną ochronę operatora zgodnie z rysunkiem L.
- ◆ Dokręcić śrubę zatrasku osłony, aby zamocować osłonę na obudowie przekładni. Obrócenie osłony ręką powinno być niemożliwe. Nie używać szlifierki z luzną osłoną.
- ◆ Aby zdjąć osłonę, poluzować śrubę zatrasku osłony.

Następnie obrócić osłonę, aby trzy wypusty na osłonie (7) dopasowały się do trzech szczyelin na piąście, po czym pociągnąć osłonę do góry.

Montaż tarcz tnących

- ◆ Umieścić niegwintowaną podkładkę kołnierзовą na wrzecionie z uniesioną częścią (pilotem) skierowaną do góry. Uniesiona część (pilot) na podkładce kołnierзовej będzie dotyczyć tarczy, gdy tarcza jest zamontowana.
- ◆ Położyć tarczę na podkładce kołnierзовej, ustawiając tarczę centralnie na uniesionej sekcji (pilocie).
- ◆ Zainstalować gwintowaną nakrętkę zaciskową z uniesioną częścią (pilotem) skierowaną tyłem do tarczy.
- ◆ Wcisnąć przycisk blokady wrzeciona i dokręcić nakrętkę zacisku dołączonym kluczem.
- ◆ Aby zdemontować tarczę, wcisnąć przycisk blokady wrzeciona i poluzować gwintowaną nakrętkę zaciskową dołączonym kluczem.

Ostrzeżenie! Nie stosować tarcz do szlifowania krawędzi/cięcia do szlifowania płaszczyzn, ponieważ nie są one przeznaczone do wytrzymywania nacisku bocznego występującego podczas szlifowania płaszczyzn. W przeciwnym razie może dojść do pęknięcia tarczy i obrażeń ciała.

- ◆ Poczekać, aż narzędzie osiągnie maksymalne obroty, przed zetknięciem go z obrabianą powierzchnią.
- ◆ Docisnąć narzędzie do obrabianej powierzchni z minimalną siłą, pozwalając narzędziu pracować na pełnych obrotach. Skuteczność cięcia jest najwyższa, gdy narzędzie pracuje z wysokimi obrotami.
- ◆ Po rozpoczęciu cięcia i wykonaniu nacięcia w obrabianym przedmiocie nie zmieniać kąta cięcia. Zmiana kąta spowoduje zgięcie tarczy i może prowadzić do jej pęknięcia.
- ◆ Podnieść narzędzie nad obrabianą powierzchnię przed jego wyłączeniem. Przed odłożeniem narzędzia poczekać, aż przestanie się obracać.

Eksplotacja

Ostrzeżenie! Uwzględnić tempo pracy urządzenia. Nie przeciążać narzędzia.

- ◆ Chronić przewód zasilający, aby uniknąć jego przecięcia.
- ◆ Być przygotowanym na pojawienie się iskier, kiedy tarcza dotknie obrabianego elementu.
- ◆ Zawsze ustawiać narzędzie w takiej pozycji, w której osłona zapewnia optymalną ochronę przed tarczą.

Włączanie i wyłączenie

- ◆ Aby włączyć narzędzie, nacisnąć włącznik (1).
- ◆ Aby wyłączyć narzędzie, zwolnić włącznik (1).

Ostrzeżenie! Nie wyłączać obciążonego urządzenia.

Wskazówki praktyczne

- ◆ **Trzymać mocno narzędzie jedną ręką za uchwyt boczny, a drugą za uchwyt główny.**
- ◆ W czasie szlifowania utrzymywać kąt ok. 15° pomiędzy tarczą a szlifowaną powierzchnią.

Konserwacja

Opisywane sieciowe/bezprzewodowe urządzenie/narzędzie Stanley Fat Max zostało zaprojektowane tak, aby zapewnić długoletnią pracę przy minimalnej konieczności konserwacji. Aby długo cieszyć się właściwą pracą urządzenia, należy odpowiednio o nie dbać i regularnie je czyścić.

Ostrzeżenie! Przed przystąpieniem do konserwacji urządzeń bezprzewodowych/przewodowych:

- ◆ Wyłączyć urządzenie i wyjąć wtyczkę z kontaktu.
- ◆ Lub wyłączyć urządzenie i wyjąć akumulator z urządzenia, jeśli jest to akumulator odłączany.
- ◆ Lub, jeśli akumulator jest zintegrowany, należy całkowicie rozładować akumulator i wyłączyć urządzenie.
- ◆ Przed czyszczeniem wyjąć wtyczkę ładowarki z gniazda zasilającego. Ładowarka nie wymaga, oprócz okresowego czyszczenia, żadnej dodatkowej konserwacji.
- ◆ Regularnie czyścić otwory wentylacyjne przy użyciu miękkiej szczotki albo suchej ściereczki.
- ◆ Regularnie czyścić obudowę silnika wilgotnym kawałkiem tkaniny. Nie używać środków czyszczących ściernych ani zawierających rozpuszczalniki.
- ◆ Okresowo należy rozkręcić uchwyt i wytrzeć z niego gromadzący się pył.

Wymiana wtyczki sieciowej (dotyczy tylko Wielkiej Brytanii i Irlandii)

Jeśli występuje konieczność montażu nowej wtyczki:

- ◆ Odpowiednio zutilizować starą wtyczkę.
- ◆ Przyłączyć brązowy przewód do zacisku fazy w nowej wtyczce.
- ◆ Przyłączyć niebieski przewód do zacisku zerowego.

Ostrzeżenie! Nie wykonywać przyłączenia do końcówki uziemienia.




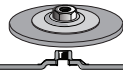


Postępować zgodnie z instrukcją instalacji dołączoną do wtyczek wysokiej jakości.







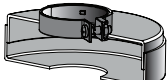
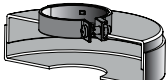






Zalecany bezpiecznik: 13 A.

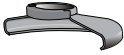
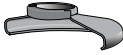





Rozwiązywanie problemów

Problem	Prawdopodobna przyczyna	Propozycja rozwiązania
Urządzenie nie uruchamia się.	Kabel nie jest podłączony. Kabel lub włącznik jest uszkodzony.	Podłączyć narzędzie do sprawnego gniazdka. Zlecić wymianę kabla lub włącznika w serwisie Stanley FatMax lub w autoryzowanym serwisie.)

Karta akcesoriów do szlifowania i cięcia

Tarcze szlifierskie 125 mm	
 Osłona typu 27	 Osłona typu 27
 Niegwintowana podkładka kołnierzowa	 Tarcza z piastą typu 27
 Tarcza z wklęsłym środkiem typu 27	
 Gwintowana nakrętka zaciskowa	

Tarcza lamelowa/listkowa do szlifowania 125 mm	
 Osłona typu 27	 Osłona typu 27
 Tarcza lamelowa/listkowa do szlifowania z piastą	 Niegwintowana podkładka kołnierzowa
	 Tarcza lamelowa/listkowa do szlifowania bez piasty
 Gwintowana nakrętka zaciskowa	
Tarcze tnące typu 41 125 mm	
 Osłona typu 41	 Osłona typu 41
 Podkładka kołnierzowa	 Podkładka kołnierzowa
 Ścierna tarcza tnąca	 Diamentowa tarcza tnąca
 Nakrętka zacisku	 Nakrętka zacisku

Tarcze druciane	
 Osłona typu 27	 Osłona typu 27
 3-calowa garnkowa szczotka druciana	 4-calowa garnkowa szczotka druciana
Tarcze do szlifowania	
 Gumowa podkładka	
 Tarcza do szlifowania	
 Gwintowana nakrętka zaciskowa	

Ochrona środowiska



Selektywna zbiórka odpadów. Produktów i akumulatorów oznaczonych tym symbolem nie wolno usuwać ze zwykłymi odpadami z gospodarstw domowych.

Produkty i akumulatory zawierają materiały, które można odzyskać lub poddać recyklingowi, zmniejszając zapotrzebowanie na surowce.

Oddawać produkty elektryczne i akumulatory do recyklingu zgodnie z krajowymi przepisami. Więcej danych na stronie www.2helpU.com.

Dane techniczne

		KFFMEG220
Napięcie zasilania	V prądu zmiennego	230
Moc elektryczna	W	850
Obroty znamionowe	min ⁻¹	12000
Średnica otworu	mm	22

		KFFMEG220
Maksymalna grubość tarczy		
Tarcze szlifierskie	mm	6
Tarcze tnące	mm	3.5
Rozmiar wrzeźciana		M14
Masa	kg	1.9

Poziom ciśnienia akustycznego zgodnie z EN 60745:

Ciśnienie akustyczne (L_{pA}) 96 dB(A), niepewność (K) 3 dB(A)

Moc akustyczna (L_{WA}) 107 dB(A), niepewność (K) 3 dB(A)

Sumaryczna wielkość drgań (suma wektorów trzech osi) zgodnie z normą EN 60745:

Szlifowanie płaszczyna ($a_{h,SG}$) 5,4 m/s², niepewność pomiarowa (K) 1,5 m/s²

Szlifowanie tarczą ($a_{h,DS}$) 5,4 m/s², niepewność (K) 1,5 m/s²

Deklaracja zgodności WE DYREKTYWA MASZYNOWA



Szlifierka kątowa KFFMEG220

Firma Stanley Europe oświadcza, że produkty opisane pod "dane techniczne" są zgodne z następującymi przepisami: 2006/42/WE, EN 60745-1:2009 + A11:2010; EN 60745-2-3:2011 + A2:2013 + A11:2014 + A12:2014 + A13:2015

Produkty te są również zgodne z zapisami dyrektyw 2014/30/UE oraz 2011/65/UE.

Aby otrzymać więcej informacji, należy skontaktować się z firmą Stanley Europe pod adresem podanym poniżej lub na końcu instrukcji.

Osoba niżej podpisana odpowiedzialna jest za zestawienie informacji technicznych i złożenie deklaracji zgodności w imieniu firmy Stanley Europe.

Ray Laverick
Director of Engineering
Stanley Europe, Egide Walschaertsstraat14-18,
2800 Mechelen, Belgia
31/08/2017

Gwarancja

Firma Stanley Fat Max jest pewna jakości swoich produktów i oferuje klientom 12 miesięcy gwarancji od daty zakupu.

Udzielona gwarancja stanowi rozszerzenie i w żaden sposób nie ogranicza ustawowych praw użytkowników. Gwarancja obowiązuje na terenie krajów członkowskich Unii Europejskiej i Europejskiej Strefy Wolnego Handlu.

Aby skorzystać z gwarancji, roszczenie gwarancyjne musi być zgodne z Warunkami Stanley Fat Max i konieczne jest przedłożenie dowodu zakupu sprzedawcy lub pracownikowi autoryzowanego serwisu. Warunki rocznej gwarancji Stanley Fat Max oraz lokalizację najbliższego autoryzowanego serwisu można uzyskać na stronie internetowej www.2helpU.com lub kontaktując się z lokalnym biurem Stanley Fat Max pod adresem podanym w tej instrukcji.

Proszę odwiedzić naszą witrynę internetową www.blackanddecker.co.uk, aby zarejestrować swój produkt Stanley Fat Max i otrzymywać informacje o nowych produktach i ofertach specjalnych

Destinația de utilizare

Polizorul unghiular KFFMEG220 Stanley Fat Max a fost conceput pentru polizarea și tăierea metalului și a zidăriei folosind tipul adecvat de discuri de tăiere sau polizare. Atunci când este echipată cu o apărătoare corespunzătoare, această uneltă este destinată atât utilizatorilor profesioniști cât și privați, neprofesioniști.

Instrucțiuni de siguranță

Avertizări generale de siguranță privind uneltele electrice



Avertisment! Citiți toate avertizările de siguranță și toate instrucțiunile. Nerespectarea avertizărilor și a instrucțiunilor enumerate în continuare poate conduce la electrocutare, incendii și/sau vătămări grave.

Păstrați toate avertizările și instrucțiunile pentru consultare ulterioară. Termenul „unealtă electrică” din toate avertizările enumerate mai jos se referă la uneltele electrice (cu cablu) alimentate de la rețeaua principală de energie sau la uneltele electrice (fără cablu) alimentate de la baterie.

1. Siguranța în zona de lucru

- a. **Păstrați zona de lucru curată și bine iluminată.** Zonele dezordonate sau întunecate înlesnesc accidente.

- b. **Nu operați uneltele electrice în atmosfere explozive, cum ar fi în prezența lichidelor, gazelor sau pulberilor explozive.** Uneltele electrice generează scântei ce pot aprinde pulberile sau vaporii.
- c. **Țineți la distanță copiii și persoanele din jur în timp ce operați o uneltă electrică.** Distragerea atenției poate conduce la pierderea controlului.

2. Siguranța electrică

- a. **Ștecherile uneltelor electrice trebuie să se potrivească cu priza. Nu modificați niciodată ștecherul în vreun fel. Nu folosiți adaptoare pentru ștechere împreună cu uneltele electrice împământate (legate la masă).** Ștecherile nemodificate și prizele compatibile vor reduce riscul de electrocutare.
- b. **Evitați contactul corpului cu suprafețele împământate precum țevi, radiatoare, cuptoare și frigider.** Există un risc sporit de electrocutare în cazul în care corpul dumneavoastră este în contact cu suprafețele împământate sau legate la masă.
- c. **Nu expuneți uneltele electrice la ploaie sau condiții de umezeală.** Apa care pătrunde într-o uneltă electrică va spori riscul de electrocutare.
- d. **Nu manipulați necorespunzător cablul. Nu utilizați niciodată cablul pentru transportarea, tragerea sau scoaterea din priză a uneltei electrice. Țineți cablul departe de căldură, ulei, muchii ascuțite sau componente în mișcare.** Cablurile deteriorate sau încurcate sporesc riscul electrocutării.
- e. **Atunci când operați o uneltă de lucru în aer liber, utilizați un prelungitor pentru exterior.** Utilizarea unui cablu adecvat pentru exterior reduce riscul de electrocutare.
- f. **În cazul în care operarea unei unelte electrice într-un spațiu cu umiditate nu poate fi evitată, utilizați o alimentare cu dispozitiv de protecție la curent rezidual (RCD).** Utilizarea unui dispozitiv RCD reduce riscul electrocutării.

3. Siguranța corporală

- a. **Fiți precauți, fiți atenți la utilizare și faceți uz de regulile de bun simț atunci când operați o uneltă electrică. Nu utilizați o uneltă electrică atunci când sunteți oboșiți sau când vă aflați sub influența drogurilor, alcoolului sau medicației.** Un moment de neatenție în timpul operării uneltelor electrice poate conduce la vătămări corporale grave.
- b. **Utilizați echipamentul de protecție corporală. Purtați întotdeauna ochelari de protecție.** Echipamentul de protecție precum măștile anti-praf, încălțăminte de siguranță antiderapantă, căștile sau dopurile pentru urechi utilizate pentru anumite condiții de lucru vor reduce vătămrile corporale.

- c. **Preîntâmpinați pornirea accidentală. Asigurați-vă că comutatorul se află în poziția oprit înainte de conectarea la sursa de alimentare și/sau la acumulator, înainte de ridicarea sau transportarea uneltei.** Transportarea uneltelor electrice ținând degetul pe comutator sau alimentarea cu tensiune a uneltelor electrice ce au comutatorul în poziția pornit înlesnesc producerea accidentelor.
- d. **Îndepărtați orice cheie sau clește de reglare înainte de a porni unealta electrică.** O cheie sau un clește rămas atașat la o componentă rotativă a uneltei electrice poate conduce la vătămări corporale.
- e. **Nu vă întindeți pentru a apuca unealta de lucru. Mențineți-vă întotdeauna stabilitatea și echilibrul.** Acest lucru permite un control mai bun al uneltei electrice în situații neașteptate.
- f. **Îmbrăcați-vă corespunzător. Nu purtați îmbrăcăminte largă sau bijuterii. Feriți-vă părul, îmbrăcăminte și mânușile față de componentele în mișcare.** Îmbrăcăminte largă, bijuteriile sau părul lung pot fi prinse în componentele în mișcare.
- g. **În cazul în care dispozitivele prezintă posibilitatea conectării de accesorii pentru aspirația și colectarea prafului, asigurați-vă că aceste accesorii sunt conectate și utilizate în mod corespunzător.** Utilizarea dispozitivelor de colectare a prafului poate reduce pericolele impuse de existența prafului.
4. **Utilizarea și îngrijirea uneltelor electrice**
- a. **Nu forțați unealta electrică. Utilizați unealta electrică adecvată pentru aplicația dvs.** Unealta de lucru adecvată va efectua lucrarea mai bine și în mod mai sigur, în ritmul pentru care a fost concepută.
- b. **Nu utilizați unealta electrică în cazul în care comutatorul nu comută în poziția pornit și oprit.** Orice unealtă electrică ce nu poate fi controlată cu ajutorul comutatorului este periculoasă și trebuie să fie reparată.
- c. **Deconectați ștecherul de la sursa de alimentare și/sau acumulatorul de la unealta electrică înaintea efectuării oricărui reglaje, modificării accesoriilor sau depozitării uneltelor electrice.** Astfel de măsuri preventive de siguranță reduc riscul pornirii accidentale a uneltelor electrice.
- d. **Nu depozitați uneltele electrice în stare inactivă la îndemâna copiilor și nu permiteți persoanelor nefamiliarizate cu unealta de lucru sau cu aceste instrucțiuni să o utilizeze.** Uneltele electrice sunt periculoase în mâinile utilizatorilor neinstruiți.
- e. **Efectuați întreținerea uneltelor electrice. Verificați alinierea necorespunzătoare sau blocarea componentelor în mișcare, ruperea componentelor și orice altă stare ce ar putea afecta operarea uneltelor electrice.**

- În cazul deteriorării, **prevedeți repararea uneltei electrice înainte de utilizare.** Multe accidente sunt cauzate de unelte electrice întreținute necorespunzător.
- f. **Păstrați uneltele de tăiat ascuțite și curate.** Este puțin probabil ca uneltele de tăiat cu tășuri ascuțite și întreținute în mod corespunzător să se blocheze, acestea fiind mai ușor de controlat.
- g. **Utilizați unealta electrică, accesoriile și cuțitele uneltei etc. conform acestor instrucțiuni, ținând cont de condițiile de lucru și de lucrarea ce trebuie să fie efectuată.** Utilizarea uneltei de lucru pentru operații diferite de cele conforme destinației de utilizare ar putea conduce la situații periculoase.
5. **Service**
- a. **Prevedeți repararea uneltei de lucru de către o persoană calificată, folosind exclusiv piese de schimb identice.** Astfel, vă asigurați că se menține siguranța în folosirea uneltei.

Avertizări suplimentare de siguranță pentru unealta de lucru



Avertisment! Avertizări suplimentare de siguranță comune pentru operații de polizare, șlefuire, frecare cu perii de sârmă sau tăiere abrazivă:

- ◆ **Această unealtă electrică este proiectată pentru a fi folosită ca polizor, mașină de șlefuit, perie de sârmă sau unealtă de tăiere. Citiți toate avertizările de siguranță, instrucțiunile, ilustrațiile și specificațiile furnizate împreună cu această unealtă electrică.** Nerespectarea tuturor instrucțiunilor enumerate în continuare poate conduce la electrocutare, incendii și/sau vătămări grave.
- ◆ Nu se recomandă efectuarea operațiilor precum polizarea sau debitarea cu această unealtă electrică. Operațiunile pentru care nu a fost concepută unealta electrică pot da naștere la pericole și pot cauza vătămări personale.
- ◆ **Nu utilizați accesorii care nu sunt special concepute și recomandate de către producătorul uneltei.** Simplul fapt că un accesoriu poate fi atașat la unealta dvs. electrică nu asigură operarea în siguranță.
- ◆ **Turația nominală a accesoriului trebuie să fie cel puțin egală cu viteza maximă marcată pe unealta electrică.** Accesoriile ce funcționează mai repede decât viteza lor nominală se pot rupe și pot ricoșa.
- ◆ **Diametrul exterior și grosimea accesoriului trebuie să se încadreze în specificație capacității specifice uneltei dvs. electrice.** Accesoriile dimensionate incorect nu pot fi supravegheate sau controlate în mod adecvat.
- ◆ **Montarea prin înfiletare a accesoriilor trebuie să fie compatibilă cu filetul de pe axul polizorului.**

Pentru accesoriile cu montare cu flanșe, orificiul axului accesoriului trebuie să se potrivească cu diametrul flanșei. Accesoriile ce nu se potrivesc cu elementele metalice de montare ale unelei electrice vor funcționa neechilibrat, vor vibra în mod excesiv și pot cauza pierderea controlului.

- ◆ **Nu utilizați un accesoriu deteriorat. Înainte de fiecare utilizare, inspectați accesoriul, cum ar fi discurile abrazive pentru depistarea așchiilor formate și a fisurilor, tălpile de susținere pentru depistarea fisurilor, rupturilor sau uzurii excesive, periile de sârmă pentru depistarea sârmelor desprinse sau crăpate. În cazul în care unealta electrică sau accesoriul este scăpat pe jos, inspectați-l pentru a depista eventualele deteriorări sau montați un accesoriu nedeteriorat. După inspectarea și montarea unui accesoriu, puneți în funcțiune unealta electrică în gol, la viteză maximă, timp de un minut. În mod normal, accesoriile deteriorate se vor rupe în timpul acestei perioade de testare.**
- ◆ **Purtați echipament de protecție corporală. În funcție de aplicație, utilizați o mască pentru față, ochelari sau vizoare de protecție. Dacă este cazul, purtați măști anti-praf, dopuri pentru urechi, mănuși și salopetă care să vă protejeze de micile fragmente abrazive sau de fragmente provenind de la piesa de prelucrat.** Echipamentul de protecție pentru ochi trebuie să aibă capacitatea de a opri reziduurile proiectate, rezultate în urma diverselor operațiuni. Maska anti-praf sau masca de protecție respiratorie trebuie să aibă capacitatea de a filtra particulele generate în urma operației dvs. Expunerea prelungită la zgomot de înaltă intensitate poate determina pierderea auzului.
- ◆ **Țineți persoanele din jur la o distanță sigură față de zona de lucru. Orice persoană care pătrunde în zona de lucru trebuie să poarte echipament de protecție corporală.** Fragmentele provenite de la piesa de prelucrat sau dintr-un accesoriu rupt pot fi proiectate și pot cauza vătămări asupra persoanelor aflate dincolo de zona din apropierea locației efective de operare.
- ◆ **Țineți unealta electrică exclusiv de suprafețele izolate pentru prindere atunci când efectuați o operație în care accesoriul de debitat poate atinge cabluri ascunde sau propriul cablu de alimentare.** Tăierea unui cablu sub tensiune de către accesoriul de debitat ar putea determina scurgerea curentului în componentele metalice expuse ale unelei electrice și va electrocuta operatorul.
- ◆ **Utilizați clești sau o altă modalitate practică de a fixa și sprijini piesa de prelucrat pe o platformă stabilă.** Ținând piesa de prelucrat în mână sau sprijinită de corp, aceasta va fi instabilă și poate conduce la pierderea controlului.

- ◆ **Poziționați cablul la distanță față de accesoriul care se rotește.** În cazul în care pierdeți controlul, cablul poate fi tăiat sau agățat și mâna sau brațul dvs. poate fi trasă înspre accesoriul care se rotește.
- ◆ **Nu așezați niciodată unealta electrică pe jos până când accesoriul nu s-a oprit complet.** Accesoriul care se rotește poate prinde suprafața de sprijin și poate determina mișcarea necontrolată a unelei electrice.
- ◆ **Nu puneți unealta electrică în funcțiune în timp ce o cărați pe lângă corp.** Contactul accidental cu accesoriul care se rotește poate determina agățarea hainelor, trăgând accesoriul înspre corp.
- ◆ **Curățați în mod regulat orificiile de aerisire ale unelei electrice.** Ventilatorul motorului va trage praful în interiorul carcasei, iar acumularea excesivă de particule metalice poate cauza pericole electrice.
- ◆ **Nu operați unealta electrică lângă materiale inflamabile.** Scântelele pot aprinde astfel de materiale.
- ◆ **Nu utilizați accesorii ce necesită agenți de răcire lichizi.** Utilizarea apei sau a altor agenți de răcire lichizi pot cauza electrocutarea.

Notă: Avertizarea de mai sus nu se aplică uneltelor electrice destinate în mod special utilizării împreună cu un sistem pe bază de lichid.

Reculul și avertizările aferente acestuia

Reculul este o reacție bruscă a unui disc, tălpii de susținere, periei sau a oricărui alt accesoriu care a fost ciupit sau agățat în timpul rotirii. Ciupirea sau agățarea determină oprirea rapidă a accesoriului care se rotește, fapt care, la rândul său, determină împingerea unelei electrice scăpate de sub control în direcția opusă celei de rotire a accesoriului din momentul incidentului.

Spre exemplu, dacă un disc abraziv este agățat sau ciupit de piesa de prelucrat, marginea discului ce intră în contact poate săpa în suprafața materialului, determinând discul să alunece sau să ricoșeze de pe suprafața de lucru. Discul poate sări fie în direcția înaintea, fie înspre operator, în funcție de direcția mișcării sale din momentul agățării. De asemenea, discurile abrazive se pot rupe în astfel de situații.

Reculul este rezultatul utilizării greșite și/sau procedurilor sau condițiilor incorecte de operare a unelei electrice și pot fi evitate adoptând măsurile de precauție menționate în continuare.

- ◆ **Apucați ferm unealta electrică și poziționați-vă corpul și brațul astfel încât să puteți rezista forței unui recul.** Utilizați întotdeauna mânerul auxiliar, dacă este furnizat, pentru un control maxim în caz de recul sau de reacție de cuplare în momentul pornirii. Operatorul poate controla reacțiile de cuplare sau forțele de recul dacă sunt adoptate măsuri adecvate de protecție.

- ◆ **Nu poziționați niciodată mâna aproape de accesoriul care se rotește.** Accesoriul poate ricoșa înspre mâna dvs.
- ◆ **Nu vă poziționați în zona în care unealta electrică va ricoșa dacă survine reculul.** Reculul va propulsa unealta în direcția opusă celei de mișcare a roții din momentul agățării.
- ◆ **Fiți deosebit de atenți atunci când lucrați pe colțuri, muchii ascuțite etc., Evitați salturile și agățarea accesoriului.** Colțurile, muchiile ascuțite sau salturile au tendința de a agăța accesoriile care se rotesc și determină pierderea controlului sau reculul.
- ◆ **Nu atașați o lamă cu lanț de drujbă pentru lemn sau o lamă cu pânză de bomfaier.** Astfel de lame generează reculul și pierderea controlului în mod frecvent.

Avertizări de siguranță specifice operațiilor de polizare și tăiere abrazivă

- ◆ **Utilizați exclusiv tipuri de discuri recomandate pentru unealta dvs. electrică și apărătoarea special concepută pentru discul ales.** Discurile pentru care unealta electrică nu a fost concepută nu pot fi protejate în mod adecvat și sunt nesigure.
- ◆ **Suprafața de polizare a discurilor cu centru concav trebuie să fie montată sub nivelul marginii apărătoarei.** Un disc montat necorespunzător care iese în afara planului buzei apărătoarei nu poate fi protejat corespunzător.
- ◆ **Apărătoarea trebuie atașată fix pe unealta electrică și poziționată pentru siguranță maximă, astfel încât o suprafață minimă a discului să fie expusă în partea dinspre operator.** Apărătoarea contribuie la protejarea operatorului împotriva fragmentelor de discuri rupte, contactului accidental cu discul și împotriva scânteilor ce ar putea aprinde îmbrăcămintea.
- ◆ **Discurile trebuie să fie utilizate numai pentru aplicațiile recomandate. Spre exemplu: nu polizați cu partea laterală a discului de debitat.** Discurile abrazive de debitat sunt destinate pentru polizarea periferică, forțele laterale aplicate acestor discuri putând determina sfărâmarea acestora.
- ◆ **Utilizați întotdeauna flanșe de disc cu dimensiunile și formele corecte pentru discul pe care l-ați ales.** Flanșele de disc adecvate susțin discul, reducând astfel posibilitatea ruperii acestuia. Flanșele pentru discurile de debitat pot diferi de flanșele pentru discurile de polizat.
- ◆ **Nu folosiți discuri uzate de la unelte electrice de dimensiuni mai mari.** Discurile destinate uneltelor electrice de dimensiuni mai mari nu sunt adecvate pentru viteza superioară a unei unelte mai mici și se pot rupe.

Avertizări suplimentare de siguranță specifice operațiilor de tăiere abrazivă

- ◆ **Nu blocați discul de debitat sau nu apăsați excesiv pe acesta.**

Nu încercați să efectuați o tăiere cu o adâncime excesivă. Suprasolicitarea discului mărește sarcina și probabilitatea de răsucire și blocare a discului în tăietură, precum și posibilitatea producerii reculului sau a ruperii discului.

- ◆ **Nu poziționați corpul pe aceeași direcție și în spatele discului ce se rotește.** În timpul operării, atunci când discul se deplasează în direcția opusă corpului dvs., eventualul recul ar putea propulsa discul ce se rotește și unealta electrică direct înspre dvs.
- ◆ **Atunci când discul se blochează sau când se întrerupe debitarea din orice motiv, opriți unealta electrică și țineți-o în poziție fixă până când discul se oprește complet. Nu încercați niciodată să scoateți discul de debitat din tăietură în timp ce acesta se află în mișcare; în caz contrar, va surveni reculul.** Examinați și adoptați măsuri de corecție pentru a elimina cauza blocării discului.
- ◆ **Nu porniți din nou operațiunea de tăiere atunci când discul se află în tăietura din piesa de prelucrat. Lăsați discul să atingă turația totală și reintroduceți-l cu atenție în tăietură.** Discul se poate bloca, poate aluneca în sus sau poate ricoșa înapoi dacă unealta de lucru este repornită atunci când discul se află în tăietura din piesa de prelucrat.
- ◆ **Susțineți panourile sau orice alte piese de prelucrat de mari dimensiuni pentru a reduce la minim ciupirea discului și reculul.** Piese mari de prelucrat au tendința de a se îndoi sub propria greutate. Suporturile trebuie să fie poziționate sub piesa de prelucrat, aproape de linia de debitare și aproape de marginea piesei de prelucrat în raport cu fiecare parte laterală a discului.
- ◆ **Acordați o atenție suplimentară atunci când efectuați decupaje în pereți sau în alte zone fără vizibilitate.** Discul ce pătrunde în suprafața de debitat poate tăia țevi de gaze sau de apă, cabluri electrice sau alte obiecte, fapt ce poate cauza reculul.

Avertizări de siguranță specifice operațiilor de șlefuit

- ◆ **Nu utilizați discuri cu șmirghel supradimensionate. Urmați recomandările producătorului atunci când selectați tipul de șmirghel.** Șmirghelul mai mare, care depășește marginile tălpii de șlefuit prezintă risc de sfâșiere și poate determina distrugerea, ruperea discului sau reculul.

Avertizări de siguranță specifice operațiilor de frecare cu perii de sârmă

- ◆ **Rețineți că periele de sârmă sunt proiectate din perie chiar și în timpul operării obișnuite.** Nu suprasolicitați periele de sârmă aplicând o sarcină excesivă asupra uneltei.

Firele de sârmă pot penetra cu ușurință îmbrăcămintea subțire și/sau pielea.

- ◆ **Dacă se recomandă utilizarea unei apărători pentru frecarea cu perie de sârmă, nu permiteți contactul discului sau al periei de sârmă cu apărătoarea.** Discul de sârmă își poate mări diametrul datorită sarcinii de lucru și forțelor centrifuge.

Siguranța persoanelor din jur

- ◆ Acest aparat nu este destinat utilizării de către persoane (inclusiv copii) cu capacități fizice, senzoriale sau mentale reduse sau de către persoane lipsite de experiență și cunoștințe, cu excepția cazurilor în care acestea au fost supravegheate și instruite cu privire la utilizarea mașinii de către o persoană responsabilă pentru siguranța lor.
- ◆ Copiii trebuie să fie supravegheați, pentru a vă asigura că nu se joacă cu aparatul.

Riscuri reziduale.

Pot surveni riscuri reziduale suplimentare în timpul utilizării uneltei, riscuri ce este posibil să nu fie incluse în avertizările de siguranță atașate.

Aceste riscuri pot fi determinate de utilizarea incorectă, utilizarea prelungită etc.

Nici măcar în cazul aplicării regulamentelor de siguranță corespunzătoare și implementării dispozitivelor de siguranță, anumite riscuri reziduale nu pot fi evitate. Acestea includ:

- ◆ Vătămări cauzate de atingerea componentelor în rotire/ mișcare.
- ◆ Vătămări cauzate în momentul schimbării componentelor, lamelor sau accesoriilor.
- ◆ Vătămări cauzate de utilizarea prelungită a unei unelte. La utilizarea unei unelte pe perioade prelungite, asigurați-vă că faceți pauze la intervale regulate.
- ◆ Afectarea auzului.
- ◆ Pericole asupra sănătății cauzate de inhalarea prafului rezultat în urma utilizării uneltei (exemplu:- prelucrarea lemnului, în special a stejarului, fagului și MDF).

Vibrațiile

Valorile declarate ale emisiilor de vibrații, menționate în specificația tehnică și în declarația de conformitate au fost măsurate în conformitate cu metoda standard de testare prevăzută de norma EN 60745 și pot fi utilizate pentru compararea diverselor unelte. Valoarea declarată a emisiilor de vibrații poate fi utilizată, de asemenea, în cadrul unei evaluări preliminare în privința expunerii.

Avertisment! Valoarea emisiilor de vibrații în timpul utilizării efective a uneltei electrice poate diferi de valoarea declarată în funcție de modalitățile de utilizare ale uneltei. Nivelul vibrațiilor poate crește peste nivelul menționat.

În cazul evaluării expunerii la vibrații în scopul de a determina măsurile de siguranță solicitate de Directiva 2002/44/CE pentru protejarea persoanelor ce folosesc periodic unelte electrice la locul de muncă, trebuie avută în vedere o estimare a expunerii la vibrații, condițiile efective de utilizare și modalitatea de utilizare a uneltei, luând totodată în calcul toate componentele ciclului de operare precum perioadele în care uneltele este oprită și în care funcționează în gol, pe lângă perioadele în care survine blocarea acesteia.

Etichetele prezente pe unealtă

Pictogramele următoare, împreună cu codul de dată sunt afișate pe unealtă:



Avertisment! Pentru a reduce riscul vătămării, utilizatorul trebuie să citească manualul de instrucțiuni.



Purtați ochelari sau vizoare de protecție în timpul utilizării uneltei.



Purtați echipament de protecție pentru urechi în timpul utilizării acestei unelte

Siguranța electrică



Acest încărcător prezintă izolare dublă; prin urmare, nu este necesară împământarea.

Verificați întotdeauna ca tensiunea de alimentare să corespundă tensiunii de pe plăcuța cu specificații.

- ◆ În cazul în care cablul de alimentare este deteriorat, acesta trebuie să fie înlocuit de producător sau de către un Centru de Service Stanley Fat Max autorizat pentru a evita orice pericol.

Căderile de tensiune

Șocurile de curent la anclanșare determină căderi de tensiune pe perioade scurte. În condiții nefavorabile de alimentare electrică, pot fi afectate și alte echipamente.

Dacă impedanța sistemului alimentării electrice este mai mică de 0,107 Ω, este probabilă survenirea unor perturbări

Descriere

Această unealtă dispune de unele sau de toate caracteristicile următoare.

1. Comutator de pornire/oprire
2. Buton de blocare a axului
3. Apărătoare
4. Mâner lateral

Asamblarea

Avertisment! Înainte de asamblare, asigurați-vă că uneltele este oprită și deconectată de la priză.

Montarea și demontarea apărătorii (fig. A)

Unealta este prevăzută cu o apărătoare destinată exclusiv lucrărilor de polizare (Tip 27). Dacă unitatea trebuie să efectueze operații de debitare, trebuie să fie echipată cu o apărătoare specială pentru acest scop (Tip 41). Sunt disponibile o serie de piese de protecție corespunzătoare N551980 (pentru disc de tăiere de 115 mm) și N542445 (pentru disc de tăiere de 125 mm) și pot fi obținute de la centrele de service Stanley Fat Max.

Montarea

- ◆ Puneți unealta pe o masă, cu axul (4) orientat în sus.
- ◆ Eliberați blocajul de prindere (5) și țineți apărătoarea (3) deasupra unelei conform ilustrației.
- ◆ Aliniați orificiile filetate (6) cu canelurile (7).
- ◆ Apăsați apărătoarea în jos și rotiți-o în sens antiorar în poziția necesară.
- ◆ Strângeți blocajul de prindere (5) pentru a fixa apărătoarea pe unealtă.
- ◆ Dacă este necesar, strângeți șurubul (8) pentru a spori forța de prindere.

Demontarea

- ◆ Eliberați blocajul de prindere (5).
- ◆ Rotiți apărătoarea în sens orar pentru a alinia găurile filetate (6) cu canelurile (7).
- ◆ Scoateți apărătoarea de pe unealtă.

Avertisment! Nu folosiți niciodată unealta fără apărătoare.

Montarea mânerului lateral

- ◆ Înșurubați mânerul lateral (4) într-unul dintre orificiile de montare de pe unealtă.

Avertisment! Folosiți întotdeauna mânerul lateral.

Montarea și demontarea discurilor de polizare (fig. B - D)

Utilizați întotdeauna tipul corect de disc pentru aplicația dvs. Utilizați întotdeauna discuri cu diametrul corect și dimensiunea corectă a alezajului (consultați specificația tehnică).

Montarea

- ◆ Montați apărătoarea așa cum este descris mai sus.
- ◆ Poziționați flanșa internă (9) pe ax (4) conform ilustrației (fig. B). Asigurați-vă că flanșa este amplasată corect pe laturile plate ale axului.
- ◆ Poziționați discul (10) pe ax (4) conform ilustrației (fig. B). În cazul în care discul prezintă o zonă centrală în relief (11), asigurați-vă că aceasta este orientată spre flanșa internă.
- ◆ Asigurați-vă că discul se poziționează corect pe flanșa interioară.
- ◆ Puneți flanșa exterioră (12) pe ax. Atunci când montați un disc de polizare, zona centrală în relief de pe flanșa externă trebuie să fie orientată către disc (A în fig. C).

Atunci când montați un disc de debitare, zona centrală în relief de pe flanșa externă trebuie să fie orientată în direcția opusă discului (B în fig. C).

- ◆ Nu apăsați pe butonul de blocare a axului (2) și strângeți flanșa externă folosind cheia cu două știfturi (13) (fig. D).

Demontarea

- ◆ Nu apăsați pe butonul de blocare a axului (2) și slăbiți flanșa externă (12) folosind cheia cu două știfturi (13) (fig. D).
- ◆ Demontați flanșa exterioră (12) și discul (10).

Polizarea suprafețelor cu discuri de polizare

- ◆ Permiteți unelei să atingă turația maximă înainte de a atinge suprafața de lucru.
- ◆ Aplicați o presiune minimă asupra suprafeței de lucru, permițând unelei să funcționeze la turație maximă. Capacitatea de polizare este cea mai mare atunci când unealta funcționează la viteză maximă.
- ◆ Mențineți un unghi cuprins între 20° și 30° între unealtă și suprafața de lucru, așa cum este indicat în figura F.
- ◆ Mișcați continuu unealta înainte și înapoi pentru a evita crearea de șanțuri în suprafața de lucru.
- ◆ Ridicați unealta de pe suprafața de lucru înainte de a o opri. Lăsați unealta să se oprească din rotire înainte de a o pune jos.

Polizarea marginilor cu discuri de polizare

Discurile utilizate pentru debitat și polizat margini pot crăpa sau ricoșa dacă se îndoaie sau se răsucesc în timp ce unealta este utilizată pentru operațiuni de debitare sau polizare de adâncime. Șlefuirea/tăierea pe margine cu un disc de tipul 27 trebuie să fie limitată la tăierea superficială și canelarea pentru mai puțin de 13 mm adâncime atunci când discul este nou. Reduceți adâncimea de tăiere/canelare egal cu reducerea razei discului pe măsură ce se uzează. Pentru mai multe informații, consultați secțiunea „Tabelul accesoriilor de polizat și debitat” de la sfârșitul acestui manual. Polizarea/tăierea muchie cu un disc de tip 41 necesită utilizarea unei apărătorii de tip 41.

- ◆ Permiteți unelei să atingă turația maximă înainte de a atinge suprafața de lucru.
- ◆ Aplicați o presiune minimă asupra suprafeței de lucru, permițând unelei să funcționeze la turație maximă. Capacitatea de polizare este cea mai mare atunci când unealta funcționează la viteză maximă.
- ◆ Poziționați-vă în așa fel încât partea liberă a discului să nu fie îndreptată spre dumneavoastră.
- ◆ Odată ce tăierea este începută și un canal a fost realizat în piesa de prelucrat, nu schimbați unghiul de tăiere. Schimbarea unghiului poate determina îndoirea discului și poate cauza ruperea acestuia.

Discurile pentru polizat marginile nu sunt concepute să suporte presiuni laterale cauzate de îndoiri.

- ◆ Ridicați unealta de pe suprafața de lucru, înainte de a o opri. Lăsați unealta să se oprească din rotire înainte de a o pune jos.

Avertisment! Nu utilizați discuri de polizat marginile sau de debitat pentru polizarea suprafețelor

în cazul în care eticheta de pe disc interzice acest lucru, deoarece aceste discuri nu sunt concepute să suporte presiuni laterale întâlnite în polizarea de suprafață. Discul se poate rupe și pot apărea vătămări corporale grave.

Montarea și demontarea discurilor de șlefuire (fig. D și E)

Pentru șlefuire, este necesară o talpă de susținere. Talpa de susținere este disponibilă ca accesoriu la reprezentantul Stanley Fat Max.

Montarea

- ◆ Poziționați flanșa internă (9) pe ax (4) conform ilustrației (fig. E). Asigurați-vă că flanșa este amplasată corect pe laturile plate ale axului.
- ◆ Puneți discul de suport (14) pe ax.
- ◆ Puneți discul de șlefuire (15) pe discul de suport.
- ◆ Puneți flanșa exterioră (12) pe ax cu centrul ridicat în partea opusă față de disc.
- ◆ Nu apăsați pe butonul de blocare a axului (2) și strângeți flanșa externă folosind cheia cu două știfturi (13) (fig. D). Asigurați-vă că flanșa externă este montată corect și că discul este fixat strâns.

Demontarea

- ◆ Nu apăsați pe butonul de blocare a axului (2) și slăbiți flanșa externă (12) folosind cheia cu două știfturi (13) (fig. D).
- ◆ Demontați flanșa exterioră (12), discul de șlefuire (15) și discul de suport (14).

Finisarea suprafețelor cu discuri lamelare de șlefuit

- ◆ Permiteți unelei să atingă turația maximă înainte de a atinge suprafața de lucru.
- ◆ Aplicați o presiune minimă asupra suprafeței de lucru, permițând unelei să funcționeze la viteză maximă. Capacitatea de șlefuire este cea mai mare atunci când unealta funcționează la viteză maximă.
- ◆ Mențineți un unghi cuprins între 5° și 10° între unealtă și suprafața de lucru, așa cum este indicat în figura G.
- ◆ Mișcați continuu unealta înainte și înapoi pentru a evita crearea de șanțuri în suprafața de lucru.
- ◆ Ridicați unealta de pe suprafața de lucru înainte de a o opri. Lăsați unealta să se oprească din rotire înainte de a o pune jos.

Utilizarea tălpilor de susținere pentru șlefuit

Alegeți întotdeauna discuri de șlefuit cu o granulație corespunzătoare pentru aplicația dvs. Discurile de șlefuit sunt disponibile cu diverse granulații. Granulațiile mari oferă rate de îndepărtare a materialului mai rapide și un finisaj mai grosier. Granulațiile fine oferă rate de îndepărtare a materialului mai lente și un finisaj mai fin. Începeți cu discuri cu granulație mare pentru îndepărtarea rapidă, grosieră a materialului. Continuați cu șmirghel cu granulație medie și finisați cu un disc cu granulație fină pentru un finisaj optim.

- ◆ Aspru = granulație 16 - 30.
- ◆ Mediu = granulație 36 - 80.
- ◆ Fin = granulație 100 - 120.
- ◆ Foarte fin = granulație 150 - 180.
- ◆ Permiteți unelei să atingă viteza maximă înainte de a atinge suprafața de lucru.
- ◆ Aplicați o presiune minimă asupra suprafeței de lucru, permițând unelei să funcționeze la viteză maximă. Capacitatea de șlefuire este cea mai mare atunci când unealta funcționează la viteză maximă.
- ◆ Mențineți un unghi cuprins între 5° și 10° între unealtă și suprafața de lucru, așa cum este prezentat în figura H. Discul de șlefuit trebuie să atingă o porțiune de aproximativ 25mm din suprafața de lucru.
- ◆ Deplasați unealta constant în linie dreaptă, pentru a preîntâmpina arsurile și vârtejurile pe suprafața de lucru. Permițând unelei să se odihnească pe suprafața de lucru fără a se mișca sau mișcându-se circular cauzează arsuri și vârtejuri pe aceasta.
- ◆ Ridicați unealta de pe suprafața de lucru înainte de a o opri. Lăsați unealta să se oprească din rotire înainte de a o pune jos.

Măsuri de precauție ce trebuie luate atunci când îndepărtați vopseaua

- ◆ Îndepărtarea vopselei pe bază de plumb **NU ESTE RECOMANDATĂ** din cauza dificultății de controlare a prafului contaminat. Cel mai mare risc de otrăvire cu plumb este asupra copiilor și a femeilor însărcinate.
- ◆ Deoarece este dificil de a identifica dacă o vopsea conține sau nu plumb fără a efectua o analiză chimică, vă recomandăm luarea următoarelor măsuri de precauție atunci când îndepărtați orice fel de vopsea:
 - ◆ Copiii sau femeile însărcinate nu trebuie să intre în zona de lucru unde se efectuează operațiuni de îndepărtare a vopselei până când nu s-a efectuat o curățenie riguroasă.
 - ◆ Toate persoanele care intră în zona de lucru trebuie să poarte mască de praf sau un respirator. Filtrul trebuie înlocuit zilnic sau ori de câte ori purtătorul are dificultăți de respirație.

Notă: Trebuie folosite doar acele măști de praf care sunt concepute pentru lucrul în zonele în care este prezent praful sau vapori de vopsea cu plumb. Măștile de vopsit obișnuite nu asigură o astfel de protecție. Consultați distribuitorul local de echipamente de protecție pentru masca omologată.

- ◆ Este interzis să MÂNCAȚI, BEȚI SAU SĂ FUMAȚI în zona de lucru pentru a preveni ingerarea particulelor de vopsea contaminate. Lucrătorii trebuie să se spele și să se curețe ÎNAINTE de a mânca, bea sau fuma. Mâncarea, băutura sau țigările nu trebuie lăsate în zona de lucru unde praful se va așeza pe ele.
- ◆ Vopseaua trebuie îndepărtată în așa fel încât să se reducă la maxim cantitatea de praf generată.
- ◆ Zonele în care au loc operațiuni de îndepărtare a vopselei trebuie sigilate cu foi din plastic cu grosimea de 4 mil.
- ◆ Șlefuirea trebuie făcută în așa fel încât să se reducă cantitatea de praf de vopsea care ajunge în afara zonei de lucru.
- ◆ Toate suprafețele din zona de lucru trebuie aspirate și curățate temeinic zilnic pe toată perioada de desfășurare a proiectului de șlefuire. Sacii de colectare a prafului trebuie înlocuiți frecvent.
- ◆ Husele din plastic trebuie adunate la un loc și trebuie eliminate împreună cu orice alte resturi de praf sau de material. Acestea trebuie ambalate în recipiente sigilate pentru colectarea deșeurilor și eliminați conform procedurilor obișnuite de colectare a gunoierului. Pe parcursul efectuării curățeniei, copiii și femeile însărcinate trebuie ținute la distanță de proximitatea zonei de lucru.
- ◆ Toate jucăriile, mobilierul care poate fi spălat și ustensilele utilizate de copii trebuie spălat cu atenție înainte de a fi reutilizat.

Montarea și utilizarea perii și a discurilor din sârmă

Periile cupă din sârmă sau discurile de sârmă se înșurubează direct pe axul mașinii fără a utiliza flanșe. b. O protecție tip 27 este necesară atunci când se utilizează perii și discuri de sârmă. Purtați mănuși de lucru atunci când manipulați perii și discuri de sârmă. Acestea pot fi ascuțite. Discul sau peria nu trebuie să atingă apărătoarea atunci când aceasta este montată sau utilizată. Accesoriile pot suferi deteriorări nedetectabile, cauzând fragmentarea sârmelor discului sau cupei.

- ◆ Înfiletați discul pe ax cu mâna.
- ◆ Apăsați butonul de blocare a axului și utilizați o cheie pentru a strânge axul periei sau a discului.
- ◆ Pentru a scoate discul, efectuați în sens invers procedura de mai sus.

Avertisment! Montarea necorespunzătoare a butucului discului înainte de pornirea unelei poate determina deteriorarea unelei sau a discului.

Discurile și periile de sârmă pot fi utilizate pentru îndepărtarea ruginii și pentru netezirea suprafețelor neregulate.

Notă: Trebuie să se adopte aceleași măsuri de precauție când îndepărtați vopseaua cu peria de sârmă și prin șlefuire.

- ◆ Permiteți unelei să atingă turația maximă înainte de a atinge suprafața de lucru.
- ◆ Aplicați o presiune minimă asupra suprafeței de lucru, permițând unelei să funcționeze la viteză maximă. Capacitatea de îndepărtare a materialului este cea mai mare atunci când unealta funcționează la viteză maximă.
- ◆ Mențineți un unghi cuprins între 5° și 10° între unealtă și suprafața de lucru atunci când utilizați perii cupă din sârmă.
- ◆ Atunci când utilizați discuri din sârmă, mențineți contactul între marginea discului și suprafața de lucru.
- ◆ Mișcați continuu unealta înainte și înapoi pentru a evita crearea de șanțuri în suprafața de lucru. Permițând unelei să se odihnească pe suprafața de lucru fără a se mișca sau mișcându-se circular cauzează arsuri și vârtejuri pe aceasta.
- ◆ Ridicați unealta de pe suprafața de lucru, înainte de a o opri. Lăsați unealta să se oprească din rotire înainte de a o pune jos.

Avertisment! Fiți foarte atenți atunci când lucrați peste margine deoarece poate avea loc o mișcare bruscă a polizorului.

Montarea și utilizarea discurilor de debitare (Tip 41)

Discurile de debitare includ discurile diamantate și discurile abrazive. Sunt disponibile discurile abrazive de debitare pentru metal și beton. De asemenea, pot fi utilizate și discurile diamantate pentru tăierea betonului.

OBSERVAȚIE: Atunci când utilizați discuri de debitat cu 2 fețe, Tip 41, este necesară utilizarea unei apărători închise. Neutilizarea unei flanșe și a unei apărători corespunzătoare poate avea ca rezultat vătămarea corporală datorată rupei discului sau contactului cu acesta.

Diametrul flanșei de susținere și al piliutei de fixare (furnizată cu unealta) trebuie să se potrivească atunci când utilizați discuri de debitat.

Montarea apărătoarei închise (Tip 41) (Fig. J, K, L)

- ◆ Aliniați cele trei opritoare de pe apărătoare (7) cu cele trei fante de pe butuc. Astfel, opritoarele vor fi aliniate cu canalele din capacul cutiei de angrenaje, așa cum este indicat în figura J.
- ◆ Împingeți apărătoarea în jos până când opritorul se angajează în canelura de pe butucul cutiei de angrenaje, așa cum se arată în figura K.

- ◆ Rotiți apărătoarea (7) în sens invers acelor de ceasornic pentru a o fixa în poziție. Corpul acesteia trebuie poziționat între ax și operator pentru a-i asigura acestuia protecție maximă, așa cum este indicat în figura L.
- ◆ Strângeți dispozitivul de prindere al apărătoarei pe capacul cutiei de angrenaje. Nu ar trebui să puteți roti apărătoarea cu mâna. Nu operați polizorul cu apărătoarea slăbită.
- ◆ Pentru a scoate apărătoarea, desfaceți șurubul de prindere a apărătoarei. Apoi, rotiți apărătoarea astfel încât cele trei opritoare de pe apărătoare (7) să se alinieze cu cele trei fante de pe butuc și trageți apărătoarea în sus.

Montarea discurilor de debitat

- ◆ Montați flanșa de susținere nefiletată pe ax cu centrul mai proeminent (pilot) în sus. Zona centrală proeminentă (pilot) a flanșei de susținere va fi orientată către disc, atunci când acesta este montat.
- ◆ Așezați discul peste flanșa de susținere, centrând discul pe zona centrală proeminentă (pilot).
- ◆ Montați piulița filetată de fixare cu zona centrală proeminentă (pilot) în partea opusă discului.
- ◆ Apăsăți butonul de blocare inclus axului și strângeți piulița de fixare cu cheia inclusă.
- ◆ Pentru a scoate discul, apăsați butonul de blocare a axului și slăbiți piulița filetată de fixare cu cheia inclusă.

Avertisment! Nu utilizați discuri de polizat marginile sau de debitat pentru polizarea suprafețelor deoarece aceste discuri nu sunt concepute să suporte presiuni laterale întâlnite în polizarea de suprafață. Discul se poate rupe și pot apărea vătămări.

- ◆ Permiteți uneltei să atingă turația maximă înainte de a atinge suprafața de lucru.
- ◆ Aplicați o presiune minimă asupra suprafeței de lucru, permițând uneltei să funcționeze la viteză maximă. Capacitatea de tăiere este cea mai mare atunci când uneltea funcționează la viteză maximă.
- ◆ Odată ce tăierea este începută și un canal a fost realizat în piesa de prelucrat, nu schimbați unghiul de tăiere. Schimbarea unghiului poate determina îndoirea discului și poate cauza ruperea acestuia.
- ◆ Ridicați uneltea de pe suprafața de lucru înainte de a o opri. Lăsați uneltea să se oprească din rotire înainte de a o pune jos.

Utilizarea

Avertisment! Lăsați uneltea să funcționeze în ritmul propriu. Nu o suprasolicitați.

- ◆ Aranjați cu grijă cablul, pentru a evita tăierea sa accidentală.
- ◆ Când discul de polizare sau de tăiere atinge piesa de lucru, va fi emisă o jerbă de scântei.
- ◆ Amplasați uneltea astfel încât apărătoarea să asigure protecție optimă față de discul de polizare sau tăiere.

Pornirea și oprirea

- ◆ Pentru a porni uneltea, apăsați întrerupătorul de pornire/oprire (1).
- ◆ Pentru a opri uneltea, eliberați întrerupătorul de pornire/oprire (1).

Avertisment! Nu opriți uneltea când se află sub sarcină.

Sfaturi pentru utilizarea optimă

- ◆ **Țineți bine uneltea, cu o mână pe mânerul lateral și cu alta pe mânerul principal.**
- ◆ La polizare, păstrați un unghi de aprox. 15° între disc și suprafața piesei de lucru.

Întreținerea

Aparatul/uneltea dvs. Stanley Fat Max, cu/fără cablu de alimentare, a fost conceput(ă) pentru a opera o perioadă îndelungată de timp, cu un nivel minim de întreținere. Funcționarea satisfăcătoare continuă depinde de îngrijirea corespunzătoare a uneltei și de curățarea periodică.

Avertisment! Înainte de efectuarea operațiilor de întreținere pe uneltele electrice cu fir/fără fir:

- ◆ Opriți și deconectați de la priză aparatul/uneltea.
- ◆ Sau opriți aparatul și scoateți acumulatorul din aparat/uneltea dacă acesta/aceasta dispune de un acumulator separat.
- ◆ Sau descărcați complet bateria dacă este plină și apoi opriți uneltea.
- ◆ Deconectați încărcătorul înainte de curățarea acestuia. Încărcătorul nu necesită nicio operație de întreținere în afara curățării periodice.
- ◆ Curățați în mod regulat fantele de ventilare de pe aparat/uneltea/încărcător, folosind o perie moale sau o cârpă uscată.
- ◆ Curățați în mod regulat carcasa motorului folosind o cârpă umedă. Nu utilizați nicio soluție de curățare abrazivă sau pe bază de solvenți.
- ◆ Deschideți în mod regulat mandrina (dacă este montată) și îndepărtați praful din interior.

Înlocuirea ștecherului de alimentare (numai pentru Regatul Unit și Irlanda)

Dacă trebuie instalat un ștecher de alimentare de la rețeaua electrică:

- ◆ Eliminați în siguranță ștecherul vechi.
- ◆ Conectați cablul maro la borna sub tensiune din ștecherul nou.
- ◆ Conectați conductorul albastru la borna neutră.

Avertisment! Nu trebuie efectuată nicio conexiune la borna de împământare.




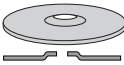




Urmați instrucțiunile de montaj furnizate împreună cu ștecherul de bună calitate.





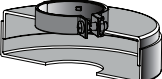
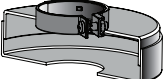











Siguranță recomandată: 13 A.

Remediarea problemelor

Problemă	Cauza eventuală	Soluție posibilă
Unitatea nu va porni.	Cablul nu este conectat. Cablul sau comutatorul este deteriorat.	Conectați unealta la o priză funcțională. Cablul sau comutatorul trebuie să fie înlocuit la un Centru de service Stanley FatMax sau la un atelier autorizat.)

Tabелul accesoriilor de polizat și debitat

Discuri de polizat 125mm	
 Apărătoare Tip 27	 Apărătoare Tip 27
 Flanșă de susținere fără filet	
 Disc cu zonă centrală adâncită Tip 27	 Disc butuc Tip 27
 Piuliță filetată de fixare	
Discuri lamelare de șlefuire 125mm	
 Apărătoare Tip 27	 Apărătoare Tip 27

 Disc lamelar de șlefuire cu butuc	 Flanșă de susținere fără filet
	 disc lamelar de șlefuire fără butuc
	 Piuliță filetată de fixare
Discuri de debitare Tip 41 125mm	
 Apărătoare Tip 41	 Apărătoare Tip 41
 Flanșă de susținere	 Flanșă de susținere
 Disc de debitat abraziv	 Disc de debitat diamantat
 Piuliță de prindere	 Piuliță de prindere
Discuri cu perii	
 Apărătoare Tip 27	 Apărătoare Tip 27
 Perie de sârmă 3 inch	 Perie de sârmă 4 inch
Disc de șlefuit	
 Talpă de susținere din cauciuc	

Declarația de conformitate CE

DIRECTIVA PENTRU UTILAJE



KFFMEG220 Polizor unghiular

Stanley Europe declară că aceste produse descrise în „Specificații tehnice” sunt conforme cu normele:
2006/42/EC, EN 60745-1:2009 + A11:2010;
EN 60745-2-3:2011 + A2:2013 + A11:2014
+ A12:2014 + A13:2015

Aceste produse sunt, de asemenea, conforme cu Directivele 2014/30/UE și 2011/65/UE.

Pentru informații suplimentare, vă rugăm să contactați Stanley Europe la următoarea adresă sau să consultați coperta din partea din spate a manualului.

Subsemnatul este responsabil pentru întocmirea dosarului tehnic și face această declarație în numele Stanley Europe.

Ray Laverick
Director tehnic

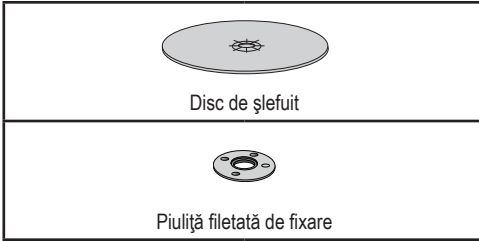
Stanley Europe, Egide Walschaertsstraat14-18,
2800 Mechelen, Belgia
31/08/2017

Garanție

Stanley Fat Max are încredere în calitatea produselor sale și le oferă clienților o garanție de 12 de luni de la data achiziției. Această garanție completează și nu prejudiciază în niciun fel drepturile dumneavoastră legale. Garanția este valabilă pe teritoriile Statelor Membre ale Uniunii Europene și în Zona Europeană de Comerț Liber.

Pentru a revendica garanția, cererea trebuie să fie în conformitate cu Termenii și condițiile Stanley Fat Max și clientul va trebui să prezinte dovada de cumpărare la vânzător sau la un agent de reparații autorizat. Termenii și condițiile garanției Stanley Fat Max de 1 an și localizarea celui mai apropiat agent de reparații autorizat pot fi obținute de pe Internet la www.2helpU.com, sau contactând biroul Stanley Fat Max la adresa indicată în prezentul manual.

Vă rugăm să vizitați site-ul nostru www.blackanddecker.co.uk pentru a vă înregistra noul produs Stanley Fat Max și pentru a fi informat cu privire la produsele noi și ofertele speciale



Disc de șlefuit

Piuliță filetată de fixare

Protejarea mediului înconjurător

Colectarea selectivă. Produsele și acumulatorii marcați cu acest simbol nu trebuie să fie aruncate împreună cu gunoii menajer.

Produsele și bateriile conțin materiale care pot fi recuperate sau reciclate, reducând cererea de materii prime.

Vă rugăm să reciclați produsele electrice și bateriile în conformitate cu prevederile locale. Mai multe informații sunt disponibile la www.2helpU.com

Specificații tehnice

		KFFMEG220
Tensiune de intrare	V _{ca}	230
Putere absorbită	W	850
Viteza nominală	min ⁻¹	12.000
Alezajul discului	mm	22
Grosimea max. a discului		
Discuri de șlefuire	mm	6
Discuri de tăiere	mm	3,5
Dimensiunea axului		M14
Greutate	Kg	1,9

Nivelul presiunii sonore conform cu EN 60745:

Presiune sonoră (L_{pA}) 96 dB(A), marjă (K) 3 dB(A)

putere sonoră (L_{WA}) 107 dB(A), marjă (K) 3 dB(A)

Valorile totale ale vibrațiilor (suma vectorială a trei axe) conform cu EN 60745:

Polizarea suprafețelor ($a_{h,SG}$) 5,4 m/s², marjă (K) 1,5 m/s²

Șlefuire cu disc ($a_{h,DS}$) 5,4 m/s², marjă (K) 1,5 m/s²

Назначение

Ваши углошлифовальные машины Stanley Fat Max KFFMEG220 были разработаны для резки металла и кирпичной кладки соответствующими дисками для резки и шлифовки. При установке надлежащего кожуха, данные инструменты предназначены как для профессионального, так и для частного, не профессионального использования.

Правила техники безопасности

Общие правила безопасности при работе с электрифицированным инструментом




Осторожно! Полностью прочтите инструкции по технике безопасности и все руководства по эксплуатации. Несоблюдение представленных ниже предупреждений и инструкций может привести к поражению электрическим током, возгоранию и/или тяжелым травмам.

Сохраните все инструкции для последующего обращения к ним. Термин «электроинструмент» во всех приведенных ниже предупреждениях относится к питаемому от электросети (проводному) или от аккумуляторных батарей (беспроводному) электроинструменту.

1. **Безопасность на рабочем месте**
 - a. **Содержите рабочее место в чистоте и обеспечьте его хорошую освещенность.** Захламленное или плохо освещенное рабочее место может стать причиной несчастного случая.
 - b. **Не используйте электрифицированный инструмент во взрывоопасной атмосфере, например, при наличии горючих жидкостей, газов или пыли.** Искры, которые появляются при работе электрифицированного инструмента, могут привести к воспламенению пыли или паров.
 - c. **Не разрешайте детям и посторонним лицам находиться рядом с вами при работе с электрифицированным инструментом.** Отвлекаясь от работы, вы можете потерять контроль над инструментом.
2. **Электробезопасность**
 - a. **Сетевые вилки электрифицированного инструмента должны соответствовать розеткам. Никогда не меняйте вилку инструмента. Не используйте переходники к вилкам для электроинструментов с заземлением.**

Использование оригинальных штепсельных вилок, соответствующих типу сетевой розетки, снижает риск поражения электрическим током.
 - b. **Следует избегать контакта с заземленными поверхностями, такими как трубы, радиаторы, батареи и холодильники.** Если вы будете заземлены, увеличивается риск поражения электрическим током.
 - c. **Не допускайте нахождения электрифицированных инструментов под дождем или в условиях повышенной влажности.** При попадании воды в электрифицированный инструмент риск поражения электротоком возрастает.
 - d. **Бережно обращайтесь с кабелем питания. Никогда не используйте кабель для переноски инструмента, не тяните за него, пытайтесь отключить инструмент от сети. Держите кабель подальше от источников тепла, масла, острых углов или движущихся предметов.** Поврежденный или запутанный кабель питания повышает риск поражения электротоком.
 - e. **При работе с электрифицированным инструментом вне помещения необходимо пользоваться удлинителем, рассчитанным на эксплуатацию в соответствующих условиях.** Использование кабеля питания, предназначенного для использования вне помещения, снижает риск поражения электрическим током.
 - f. **При необходимости эксплуатации электрифицированного инструмента в местах с повышенной влажностью используйте устройство защиты от токов замыкания на землю (УЗО).** Использование УЗО сокращает риск поражения электрическим током.
3. **Обеспечение индивидуальной безопасности**
 - a. **При работе с электрифицированным инструментом сохраняйте бдительность, следите за своими действиями и пользуйтесь здравым смыслом. Не работайте с электроинструментом, если вы устали, находитесь в состоянии наркотического, алкогольного опьянения или под воздействием лекарственных препаратов.** Невнимательность при работе с электроинструментом может привести к серьезным телесным повреждениям.
 - b. **Используйте средства индивидуальной защиты. Всегда используйте защитные очки.** Средства защиты, такие как противопылевая маска, обувь с не скользящей подошвой, каска и защитные наушники, используемые при работе, уменьшают риск получения травм.

- c. Примите меры для предотвращения случайного включения. Перед тем как подключить электроинструмент к сети и/или аккумуляторной батарее, взять инструмент или перенести его на другое место, убедитесь в том, что выключатель находится в положении Выкл. Если при переноске электроинструмента он подключен к сети, и при этом ваш палец находится на выключателе, это может стать причиной несчастных случаев.
- d. Уберите все регулировочные или гаечные ключи перед включением электрифицированного инструмента. Ключ, оставленный на вращающейся части электрифицированного инструмента, может привести к травме.
- e. Не пытайтесь дотянуться до слишком удаленных поверхностей. Обувь должна быть удобной, чтобы вы всегда могли сохранять равновесие. Это позволит лучше контролировать электрифицированный инструмент в непредвиденных ситуациях.
- f. Надевайте подходящую одежду. Избегайте носить свободную одежду и ювелирные украшения. Следите за тем, чтобы волосы, одежда и перчатки не попадали под движущиеся детали. Возможно наматывание свободной одежды, ювелирных изделий и длинных волос на движущиеся детали.
- g. При наличии устройств для подключения оборудования для удаления и сбора пыли необходимо обеспечить правильность их подключения и эксплуатации. Использование устройства для пылеудаления сокращает риски, связанные с пылью.
4. Эксплуатация электрифицированного инструмента и уход за ним
- a. Избегайте чрезмерной нагрузки электрифицированного инструмента. Используйте электроинструмент в соответствии с назначением. Правильно подобранный электроинструмент выполнит работу более эффективно и безопасно при стандартной нагрузке.
- b. Не используйте электрифицированный инструмент, если не работает его выключатель. Любой электроинструмент, управляемый выключением и включением которого невозможно, опасен, и его необходимо отремонтировать.
- c. Перед выполнением любой регулировки, заменой дополнительных приспособлений или хранением электрифицированного инструмента отключите устройство от сети или извлеките батарею из устройства. Такие превентивные меры безопасности сокращают риск случайного включения электрифицированного инструмента.
- d. Храните электрифицированный инструмент в недоступном для детей месте и не позволяйте работать с инструментом людям, не имеющим соответствующих навыков работы с такого рода инструментами. Электрифицированный инструмент представляет опасность в руках неопытных пользователей.
- e. Обслуживание электрифицированных инструментов. Проверьте движущиеся детали на несоосность или заклинивание, поломку либо какие-либо другие условия, которые могут повлиять на эксплуатацию электрифицированного инструмента. В случае обнаружения повреждений, прежде чем приступить к эксплуатации электрифицированного инструмента, его нужно отремонтировать. Большинство несчастных случаев происходит из-за электрифицированных инструментов, которые не обслуживаются должным образом.
- f. Необходимо содержать режущий инструмент в остро заточенном и чистом состоянии. Вероятность заклинивания инструмента, за которым следят должным образом и который хорошо заточен, значительно меньше, а работать с ним легче.
- g. Используйте данный электрифицированный инструмент, а также дополнительные приспособления и насадки в соответствии с данными инструкциями и с учетом условий и специфики работы. Использование электрифицированного инструмента для выполнения операций, для которых он не предназначен, может привести к созданию опасных ситуаций.
5. Техническое обслуживание
- a. Обслуживание электрифицированного инструмента должно выполняться только квалифицированным техническим персоналом. Это позволит обеспечить безопасность обслуживаемого электрифицированного инструмента.
- Дополнительные правила безопасности при работе с электрифицированным инструментом**
-  **Осторожно!** Дополнительные меры предосторожности для шлифовки, зачистки, зачистки проволочной щеткой, полировки или абразивной резки:
- ◆ Этот электрифицированный инструмент предназначен для заточки, шлифования, зачистки проволочной щеткой и резания. Прочитайте и просмотрите все предупреждения, инструкции, иллюстрации и спецификации по данному электроинструменту.

Несоблюдение всех приведенных ниже инструкций может стать причиной поражения электрическим током, возгорания и/или тяжелой травмы.

- ◆ Не рекомендуется выполнять с помощью данного инструмента такие работы как полирование или резка. Выполнение операций, не предусмотренных для данного инструмента, представляет опасность и может привести к травме.
- ◆ **Не используйте дополнительные принадлежности, которые не рекомендованы производителем инструмента и не предназначены для него специально.** Возможность установки оснастки на электроинструмент не обеспечивает безопасности при ее использовании.
- ◆ **Номинальная скорость принадлежности должна, как минимум, равняться максимальной скорости, указанной на электроинструменте.** Принадлежность, которая вращается со скоростью, превышающей ее номинальную скорость вращения, может разрушиться и отлететь в сторону.
- ◆ **Внешний диаметр и толщина принадлежности должны соответствовать диапазону мощности электроинструмента.** Принадлежность неправильно подобранного размера не закрывается ограждением и не обеспечивает надлежащего контроля управления.
- ◆ **Винтовая резьба принадлежностей должна соответствовать резьбе оси шлифовальной машины.**
Для принадлежности, установленной на фланцы, отверстие для инструментальной оправки должно соответствовать установочному диаметру фланца. Принадлежности, которые не подходят монтажной арматуре электроинструмента, работают несбалансированно, слишком сильно вибрируют и могут привести к потере управления.
- ◆ **Не используйте поврежденные принадлежности.** Перед каждым использованием проверяйте оснастку, как то, абразивные круги, на наличие сколов и трещин, проставки — на наличие надрывов и трещин, проволочные щетки — на наличие ослабленной или сломанной проволоки. В случае падения электроинструмента или принадлежности проверьте наличие повреждений или установите неповрежденную оснастку. После проверки и установки принадлежности подержите электроинструмент включенным на полной скорости без нагрузки в течение одной минуты. Поврежденные принадлежности, как правило, ломаются в течение этого тестового периода.
- ◆ **Используйте средства индивидуальной защиты. В зависимости от типа выполняемых работ надевайте щиток для защиты лица или защитные очки.**

- В соответствии с необходимостью надевайте респиратор, защитные наушники, перчатки и рабочий фартук, способный защитить от мелких абразивных частиц и фрагментов обрабатываемой детали.** Средства защиты для глаз должны останавливать частицы, вылетающие при выполнении различных видов работ. Пылезащитная маска или респиратор должны обеспечивать фильтрацию твердых частиц, образующихся при выполнении работ. Длительное воздействие шума высокой мощности может привести к нарушениям слуха.
- ◆ **Не подпускайте посторонних лиц близко к рабочей зоне. Любое лицо, входящее в рабочую зону, должно использовать средства индивидуальной защиты.** Фрагменты обрабатываемой детали или разрушенной оснастки могут отлететь в сторону и стать причиной травмы даже за пределами рабочей зоны.
 - ◆ **Удерживайте электрифицированный инструмент во время выполнения работ только за изолированные поверхности захватывания в тех случаях, когда режущая принадлежность может задеть скрытую электропроводку или собственный кабель питания.** При удерживании металлических деталей инструмента, в случае перерезания находящегося под напряжением провода произойдет поражение оператора электрическим током.
 - ◆ **Используйте зажимы или другие уместные средства фиксации заготовки на стабильной опоре.** Держать деталь на весу или в руках перед собой неудобно и это может привести к потере контроля над инструментом.
 - ◆ **Располагайте кабель питания на удалении от вращающейся принадлежности.** В случае потери контроля над инструментом кабель питания может быть разрезан или ободран, а ваша рука может быть затянута вращающейся принадлежностью.
 - ◆ **Никогда не кладите электроинструмент до тех пор, пока он полностью не остановится.** Вращающаяся принадлежность может задеть за поверхность, из-за чего электроинструмент может вырваться из рук.
 - ◆ **Не включайте электроинструмент, если принадлежность направлена на вас.** Случайный контакт с вращающейся принадлежностью может привести к наматыванию одежды и контакту принадлежности с Вашим телом.
 - ◆ **Регулярно очищайте вентиляционные отверстия электроинструмента.** Вентилятор электродвигателя затягивает пыль внутрь корпуса, а скопление большого количества пыли на металлических частях электродвигателя повышает риск поражения электротоком.

- ◆ **Не используйте электроинструмент рядом с горючими материалами.** Искры могут привести к их воспламенению.
- ◆ **Не используйте принадлежности, требующие жидкостного охлаждения.** Использование воды или других жидких охлаждающих средств может привести к поражению электрическим током вплоть до смертельного исхода.

Примечание. Вышеуказанное предупреждение не применимо к электроинструментам, специально предназначенным для использования с жидкостными системами.

Отдача и предупреждения, имеющие отношения к ней

Отдача представляет собой внезапную реакцию в результате заклинивания или деформации вращающегося круга, круга-подошвы, щетки или любых других насадок. Заклинивание или деформация вызывают мгновенную остановку вращающейся насадки, что, в свою очередь, приводит к потере управления инструментом и его резкого смещения в сторону, противоположную направлению вращения насадки в точке заклинивания.

Например, в случае заклинивания или деформации абразивного круга в обрабатываемой детали, заклинивающий край круга может врезаться в поверхность материала, что приводит к поднятию или выталкиванию круга. Круг может отскочить в сторону оператора или в другом направлении, в зависимости от направления вращения круга в точке заклинивания. Это может также привести к поломке абразивных кругов.

Отдача является результатом неправильного использования инструмента и/или использованием неправильных методов или режимов работы; избежать этого явления можно путем выполнения указанных далее мер предосторожности.

- ◆ **Прочно удерживайте электроинструмент обеими руками и располагайтесь таким образом, чтобы иметь возможность погасить энергию отдачи.** Для эффективного управления инструментом в случае возникновения отдачи или реактивного крутящего момента во время запуска всегда пользуйтесь вспомогательной рукояткой (при наличии). Оператор может контролировать энергию обратного удара при соблюдении надлежащих мер предосторожности.
- ◆ **Никогда не держите руки поблизости от вращающейся принадлежности.** Принадлежность может отскочить в направлении вашей руки.
- ◆ **Не стойте с той стороны, куда будет сдвигаться инструмент в случае возникновения отдачи.**

В результате отдачи, инструмент отскакивает в направлении, противоположном вращению круга в точке заклинивания.

- ◆ **Соблюдайте особую осторожность при обработке углов, острых кромок и т. д. Избегайте дрожания и заклинивания принадлежности.** Углы, острые кромки или дрожание могут вызвать заклинивание принадлежности в заготовке и привести к потере управления в случае возникновения отдачи.
- ◆ **Не устанавливайте диски для пильных цепей или зубчатые режущие диски.** Такие круги часто вызывают отдачу и потерю управления инструментом.

Меры предосторожности при шлифовании и резании с использованием абразивного круга

- ◆ **Используйте только такие типы кругов, которые рекомендованы для данного электроинструмента, а также специальные кожухи, предназначенные для конкретных кругов.** Круги, не предназначенные для работы с электроинструментом, не могут быть закрыты кожухами надлежащим образом и представляют собой опасность.
- ◆ **Шлифовальная поверхность кругов с утолщенным центром должна быть ниже поверхности края кожуха.** Невозможно обеспечить надежную защиту при использовании кругов, выступающих за края защитного ограждения.
- ◆ **Кожух должен быть надежно закреплен на электроинструменте и находиться в положении, обеспечивающем максимальную защиту, чтобы минимально возможная часть круга находилась в одной плоскости с оператором.** Ограждение помогает защитить оператора от отколовшихся фрагментов круга и случайного контакта с кругом, а также искр, от которых может загореться одежда.
- ◆ **Используйте круги для выполнения только рекомендованных типов работ.** Например: не выполняйте шлифование при помощи отрезного круга. Абразивные отрезные круги предназначены для работы периферией круга; боковая нагрузка, прилагаемая к таким кругам, может привести к их разрушению.
- ◆ **Всегда используйте исправные фланцы для кругов, размер и форма которых соответствуют конкретному кругу.** Соответствующие фланцы надежно фиксируют круг, что снижает вероятность его поломки. Фланцы для отрезных кругов могут отличаться от фланцев для шлифовальных кругов.
- ◆ **Не используйте сильно изношенные круги от электроинструментов больших размеров.**

Круг, предназначенный для электроинструмента больших размеров, не подходит для более высокой скорости, на которой работает инструмент меньшего размера, и поэтому может разрушиться.

Дополнительные меры предосторожности при абразивной резке

- ◆ **Избегайте застревания отрезного круга в заготовке и не прилагайте чрезмерных усилий. Не пытайтесь выполнять распил слишком большой глубины.** Слишком сильное нажатие на круг увеличивает нагрузку и возможность его деформации или заклинивания в заготовке, а также возможность возникновения отдачи или поломки круга.
- ◆ **Не стойте на одной линии с вращающимся кругом и позади него.** Если диск вращается в противоположном от вас направлении, то в случае отдачи, вращающийся диск и инструмент будут направлены непосредственно на вас.
- ◆ **В случае заклинивания диска или прекращения резки по какой-либо причине выключите электроинструмент и удерживайте его в неподвижном состоянии до полной остановки.** Никогда не пытайтесь извлечь отрезной круг из разреза, когда он находится в движении. В противном случае, это может привести к возникновению отдачи. Выясните причину и примите надлежащие меры по устранению причины заклинивания круга.
- ◆ **Не возобновляйте работу, когда круг находится внутри заготовки.** Дождитесь, пока круг наберет полные обороты, и осторожно поместите его в начальный разрез. В случае заклинивания, круг может подскочить вверх из детали или привести к отдаче при повторном запуске.
- ◆ **Для снижения риска заклинивания круга и отдачи обеспечьте надлежащую опору для длинных панелей или прочих заготовок большого размера.** Заготовки большого размера могут провисать под собственным весом. Опоры необходимо поместить под панель возле линии распила и возле края панели по обеим сторонам круга.
- ◆ **Соблюдайте повышенную осторожность при выполнении врезного пиления стен или в других слепых зонах.** Можно случайно перерезать газовые или водопроводные трубы, электрическую проводку, а также предметы, которые могут вызвать отдачу.

Меры безопасности при выполнении зачистки

- ◆ **Не используйте шлифовальную бумагу слишком большого размера.** Соблюдайте рекомендации производителей, выбирая шлифовальную бумагу.

Шлифовальная бумага свисающая с диска представляет угрозу разрыва и может привести к задиранию, износу диска или возникновению отдачи.

Меры предосторожности при выполнении зачистки проволочной щеткой

- ◆ **Имейте в виду, что проволочный ворс отлетает от щетки даже при нормальной эксплуатации.** Не прижимайте щетку слишком сильно к обрабатываемой поверхности. Проволочный ворс может без труда пробить одежду и/или кожу.
 - ◆ **Если рекомендуется использовать кожух для зачистки проволочной щеткой не допускайте соприкосновения щетки с кожухом.** Дисксовая проволочная щетка может увеличиваться в диаметре в результате воздействия центростремительных сил.
- ### **Безопасность окружающих**
- ◆ Данное устройство не предназначено для использования лицами (включая детей) с ограниченными физическими, сенсорными или ментальными возможностями, а также лицами без достаточного опыта и знаний, если только они не делают этого под руководством лица имеющего соответствующий опыт и отвечающего за их безопасность.
 - ◆ Не позволяйте детям играть с данным устройством.

Остаточные риски.

Помимо тех рисков, что указаны в правилах техники безопасности, при использовании устройства могут возникнуть дополнительные остаточные риски. Это может произойти при неправильной эксплуатации или продолжительном использовании устройства и т. п. Несмотря на соблюдение соответствующих инструкций по технике безопасности и использование предохранительных устройств, некоторые остаточные риски невозможно полностью исключить. К ним относятся:

- ◆ Травмы в результате касания вращающихся/движущихся частей.
- ◆ Травмы, которые могут произойти в результате смены деталей, лезвий или аксессуаров.
- ◆ Травмы, связанные с продолжительным использованием инструмента. При использовании любого инструмента в течение продолжительного периода времени не забывайте делать перерывы.
- ◆ Ухудшение слуха.
- ◆ Угроза здоровью, связанная с вдыханием пыли, которая образуется при использовании этого инструмента (например, при работе с деревом, особенно дубом, березой и МДФ.)

Вибрация

Заявленные значения вибрации указанные в технических спецификациях и заявлениях о соответствии были измерены в соответствии с стандартным методом тестирования EN 60745 и могут быть использованы для сравнения инструментов. Заявленное значение эмиссии вибрации также может использоваться при предварительной оценке ее воздействия.

Осторожно! Значение эмиссии вибрации в каждом конкретном случае применения электроинструмента может отличаться от заявленного в зависимости от того, каким образом используется инструмент. Уровень вибрации может быть выше заявленного.

При оценке уровня вибрации для определения степени безопасности, предусмотренного 2002/44/ЕС для защиты людей, регулярно пользующихся электроинструментом при работе, нужно принимать во внимание уровень вибрации, реальные условия использования и способ использования инструмента, а также учитывать все этапы цикла работы (когда инструмент выключается, когда он работает на холостом ходу, а также время переключения с одного режима на другой).

Условные обозначения на инструменте

На инструмент нанесены следующие обозначения вместе с кодом даты:



Осторожно! Во избежание риска получения травм, прочитайте инструкцию по применению.



При работе с инструментом надевайте защитные очки или маску.



Работая с инструментом надевайте наушники

Электробезопасность

Ваше зарядное устройство имеет двойную изоляцию, поэтому не требует заземления. Необходимо обязательно убедиться в том, что напряжение источника питания соответствует указанному на шильдике.

- ◆ Если поврежден сетевой кабель, его нужно заменить у производителя или в авторизованном сервисном центре Stanley Fat Max, чтобы избежать проблем.

Падение напряжения

Броски тока при включении вызывают кратковременное падение напряжения. В условиях использования неблагоприятного источника питания это может повлиять на работу другого оборудования.

Если сопротивление системы источника питания ниже 0,107 Ом, возникновение нарушений маловероятно.

Характеристики

Этот инструмент включает в себя следующие особенности или некоторые из них.

1. Выключатель
2. Блокировка шпинделя
3. Защитный кожух
4. Боковая рукоятка

Сборка

Осторожно! Перед сборкой убедитесь в том, что инструмент выключен и отключен от сети.

Установка и снятие аккумуляторной батареи (рис. А)

Инструмент поставляется с защитным кожухом, предназначенным только для шлифовки (тип 27). Если инструмент используется для выполнения отреза, необходимо установить соответствующий кожух (тип 41). Подходящие кожухи с номерами N551980 (для отрезного круга 115 мм) и N542445 (для отрезного круга 125 мм) можно приобрести в сервисном центре Stanley Fat Max.

Установка

- ◆ Установите инструмент на стол, вверх шпинделем (4).
- ◆ Откройте зажимной замок (5) и поместите кожух (3) над инструментом, как показано на рисунке.
- ◆ Выровняйте выступы (6) с пазами (7).
- ◆ Нажатием установите защитный кожух на место и поверните его против часовой стрелки в нужное положение.
- ◆ Затяните зажимной замок (5) чтобы зафиксировать кожух на инструменте.
- ◆ При необходимости затяните винт (8) чтобы увеличить усилие зажима.

Снятие

- ◆ Ослабьте зажимной замок (5).
- ◆ Поверните кожух по часовой стрелки, чтобы совместить выступы (6) с пазами (7).
- ◆ Перед сборкой снимите кожух с инструмента.

Осторожно! Никогда не используйте инструмент без ограждения.

Установка боковой рукоятки

- ◆ Привинтите боковую ручку (4) в одно из монтажных отверстий на инструменте.

Осторожно! Всегда пользуйтесь боковой рукояткой.

Установка и снятие шлифовальных дисков (рис. В–D)

Всегда используйте диски, соответствующие выполняемой операции.

Всегда используйте диски нужного диаметра и размера фиксирующего отверстия (см. технические характеристики).

Установка

- ◆ Установите кожух как описано выше.
- ◆ Установите внутренний фланец (9) на шпindelь (4) как показано на рисунке (рис. В). Убедитесь в том, что фланец правильно установлен на ровных сторонах шпинделя.
- ◆ Установите диск (10) на шпindelь (4) как показано на рисунке (рис. В). Если на диске есть приподнятый центр (11), убедитесь в том, что поднятый центр смотрит на внутренний фланец.
- ◆ Убедитесь в том, что диск правильно установлен на внутреннем фланце.
- ◆ Установите внешний фланец (12) на шпindelь. Устанавливая шлифовальный диск, приподнятый центр внешнего фланца должен смотреть на диск (А на рис. С). Устанавливая отрезной диск, приподнятый центр внешнего фланца должен смотреть на диск (В на рис. С).
- ◆ Удерживайте зажим шпинделя (2) в зажатом состоянии и затяните внешний фланец с помощью двухконтактного гаечного ключа (13) (рис. D).

Снятие

- ◆ Удерживайте зажим шпинделя (2) в зажатом состоянии и ослабьте внешний фланец (12) с помощью двухконтактного гаечного ключа (13) (рис. D).
- ◆ Снимите внешний фланец (12) и диск (10).

Обработка поверхности шлифовальным диском

- ◆ Дождитесь, пока инструмент наберет полные обороты, прежде чем прикасаться им к обрабатываемой поверхности.
- ◆ Прилагайте минимальное давление на рабочую поверхность, чтобы инструмент работал на высоких оборотах. Чем выше частота оборотов инструмента, тем быстрее происходит шлифование.
- ◆ Соблюдайте угол в 20–30 градусов между инструментом и рабочей поверхностью, как показано на рисунке F.
- ◆ Постепенно перемещайте инструмент вперед и назад, чтобы предотвратить образование неровностей на поверхности заготовки.
- ◆ Поднимайте инструмент от обрабатываемой поверхности перед его выключением. Прежде чем положить инструмент, дождитесь его остановки.

Обработка кромок шлифовальным диском

Круги для шлифования кромок и отрезные круги могут разрушиться или привести к отдаче в случае изгиба или скручивания при выполнении отрезов или глубокого шлифования. Работы по шлифованию кромок/отрезания кругом типа 27 должны ограничиваться неглубокими разрезами и надрезами — не более 13 мм при использовании нового круга. Сокращайте глубину разрезов/надрезов пропорционально уменьшению радиуса круга по мере его износа. Для дополнительной информации см. «Таблицу отрезных и шлифовальных принадлежностей», приведенную в конце руководства по эксплуатации. При выполнении работ по шлифованию кромок/отрезания кругом типа 41 необходимо использовать ограждение типа 41.

- ◆ Дождитесь, пока инструмент наберет полные обороты, прежде чем прикасаться им к обрабатываемой поверхности.
- ◆ Прилагайте минимальное давление на рабочую поверхность, чтобы инструмент работал на высоких оборотах. Чем выше частота оборотов инструмента, тем быстрее происходит шлифование.
- ◆ Встаньте так, чтобы открытая нижняя сторона ограждения круга была направлена в сторону от вас.
- ◆ Начав разрез заготовки, не изменяйте угол разреза. Изменение угла приведет к изгибанию круга и может привести к его разрушению. Шлифовальные круги для обработки кромок не предназначены для выдерживания боковых нагрузок.
- ◆ Поднимите инструмент от обрабатываемой поверхности перед его выключением. Прежде чем положить инструмент, дождитесь его остановки.

Осторожно! Запрещается использовать круги для шлифования кромок/отрезные круги для шлифования поверхностей, если этикетка, нанесенная на них, запрещает данные действия, так как они не рассчитаны на боковые нагрузки.

Это может привести к разрушению круга и тяжелым травмам.

Установка и снятие наждачных дисков (рис. D и E)

Для шлифовки требуются диски-подшвы. Диск-подшву можно приобрести у дилера Stanley Fat Max.

Установка

- ◆ Установите внутренний фланец (9) на шпindelь (4) как показано на рисунке (рис. E). Убедитесь в том, что фланец правильно установлен на ровных сторонах шпинделя.
- ◆ Установите диск-подшву (14) на шпindelь.
- ◆ Установите шлифовальный диск (15) на диск-подшву.

- ◆ Установите внешний фланец (12) на шпindel с приподнятым центром лицевой стороной от диска.
- ◆ Удерживайте зажим шпинделя (2) в зажатом состоянии и затяните внешний фланец с помощью двухконтактного гаечного ключа (13) (рис. D). Убедитесь в том, что внешний фланец правильно установлен и диск плотно прижат.

Снятие

- ◆ Удерживайте зажим шпинделя (2) в зажатом состоянии и ослабьте внешний фланец (12) с помощью двухконтактного гаечного ключа (13) (рис. D).
- ◆ Снимите внешний фланец (12), шлифовальный диск (15) и диск-подшву (14).

Обработка поверхности наждачным кругом

- ◆ Дождитесь, пока инструмент наберет полные обороты, прежде чем прикасаться им к обрабатываемой поверхности.
- ◆ Прилагайте минимальное давление на рабочую поверхность, чтобы инструмент работал на высоких оборотах. Чем выше частота оборотов инструмента, тем быстрее происходит шлифование.
- ◆ Соблюдайте угол в 5–10 градусов между инструментом и рабочей поверхностью, как показано на рисунке G.
- ◆ Постепенно перемещайте инструмент вперед и назад, чтобы предотвратить образование неровностей на поверхности заготовки.
- ◆ Поднимайте инструмент от обрабатываемой поверхности перед его выключением. Прежде чем положить инструмент, дождитесь его остановки.

Использование дисков-подшв для шлифования

Подбирайте наждачные круги с подходящим абразивным зерном в зависимости от применения. Имеются наждачные круги с абразивным зерном разного размера. Абразивное зерно большого размера подходит для быстрого удаления материала и грубой обработки поверхности. Абразивное зерно меньшего размера удаляет материал медленнее, но поверхность получается более гладкой. Начините обработку шлифовальными дисками с крупным абразивным зерном. Затем перейдите к шлифовальным дискам со средним абразивным зерном, и, наконец — малым абразивным зерном.

- ◆ Груб. = 16–30 зернист.
- ◆ Средн. = 36–80 зернист.
- ◆ Мелк. = 100–120 зернист.
- ◆ Очень мелк. = 150–180 зернист.
- ◆ Дождитесь, пока инструмент наберет полные обороты, прежде чем прикасаться им к обрабатываемой поверхности.

- ◆ Прилагайте минимальное давление на рабочую поверхность, чтобы инструмент работал на высоких оборотах. Чем выше частота оборотов инструмента, тем быстрее происходит шлифование.
- ◆ Соблюдайте угол в 5–10° между инструментом и рабочей поверхностью, как показано на рисунке H. Поверхность соприкосновения с рабочей поверхностью должна составлять приблизительно 25 мм.
- ◆ Перемещайте инструмент вперед и назад по прямой линии, чтобы предотвратить горение и «завихрение» рабочей поверхности. Длительное удержание инструмента на одном месте, а также круговые движения по круговой поверхности приводят к образованию отметок обжигания и завихрения.
- ◆ Поднимайте инструмент от обрабатываемой поверхности перед его выключением. Прежде чем положить инструмент, дождитесь его остановки.

Меры предосторожности при шлифовании окрашенных поверхностей

- ◆ Зачистка заготовок, покрашенных краской на основе свинца, **НЕ РЕКОМЕНДУЕТСЯ** из-за образующейся вредной пыли. Наибольшую опасность отравление свинцом представляет для детей и беременных женщин.
- ◆ Поскольку без химического анализа невозможно определить, содержит ли краска свинец, при шлифовании любой краски мы рекомендуем принять следующие меры предосторожности:
 - ◆ В рабочей зоне, где производится шлифовка, не должны находиться дети и беременные женщины, пока место проведения работ не будет полностью очищено.
 - ◆ Все лица, входящие в место проведения работ, должны надевать пылезащитную маску или респиратор. Фильтр следует заменять ежедневно или всякий раз, когда у пользователя возникают трудности с дыханием.

Примечание. Допускается использование только тех пылезащитных масок, которые подходят для работы с пылью и парами свинцовой краски. Стандартные маски для работы с краской не предлагают эту защиту. Обратитесь к местному дилеру для приобретения соответствующей защитной маски.

- ◆ Чтобы предотвратить попадание загрязненных частиц краски в организм, запрещается ЕСТЬ, ПИТЬ и КУРИТЬ в месте проведения работ. ПЕРЕД тем как поесть, попить или покурить, рабочие должны тщательно смыть с себя пыль.

Запрещается оставлять продукты питания, питьевые жидкости и сигареты в местах, где на них может осесть пыль.

- ◆ Краску следует удалять таким образом, чтобы свести к минимуму количество образуемой пыли.
- ◆ Рабочая зона, в которой происходит удаление краски, должна быть запечатана пластиковой пленкой толщиной не менее 4 мил.
- ◆ Шлифование следует проводить таким образом, чтобы пыль краски не покидала зону проведения работ.
- ◆ Все поверхности в рабочей зоне должны быть тщательно очищены и пропылесосены на протяжении проведения работ. Заменяйте пылесборники как можно чаще.
- ◆ Пленку необходимо собирать и утилизировать вместе с пылевой стружкой и другим мусором. Они должны быть помещены в герметичные мешки для мусора и утилизированы в рамках стандартной процедуры сбора мусора. Во время выполнения работ по очистке детям и беременным женщинам запрещается входить в место проведения работ.
- ◆ Все игрушки, моющаяся мебель и посуда, используемые детьми, должны быть тщательно вымыты перед использованием.

Установка и эксплуатация дисковых щеток

Чашечные проволочные щетки и дисковые щетки устанавливаются на шпиндель инструмента без использования фланцев. При использовании чашечных проволочных щеток и дисковых щеток необходима установка кожуха Тип 27. При эксплуатации проволочных щеток и кругов обязательно надевайте защитные перчатки. Со временем они могут стать очень острыми. Во время эксплуатации круг и щетка не должны соприкасаться с ограждением. Это может привести к незаметному повреждению принадлежности, в результате чего от проволочной щетки отлетят опасные фрагменты.

- ◆ Навинтите круг на шпиндель.
- ◆ Нажмите на кнопку блокировки шпинделя и воспользуйтесь ключом, чтобы затянуть ступицу дисковой щетки.
- ◆ Для снятия круша выполните приведенные действия в обратном порядке.

Осторожно! Включение инструмента с неправильно установленным кругом может привести к повреждению инструмента и круга.

Дисковые щетки можно использовать для удаления коррозии и краски, а также для выравнивания неровных поверхностей.

Примечание. При обрабатывании окрашенных поверхностей проволочной щеткой применимы те же меры предосторожности что и при шлифовании окрашенных поверхностей.

- ◆ Дождитесь, пока инструмент наберет полные обороты, прежде чем прикасаться им к обрабатываемой поверхности.
- ◆ Прилагайте минимальное давление на рабочую поверхность, чтобы инструмент работал на высоких оборотах. Чем выше частота оборотов инструмента, тем быстрее происходит удаление материала.
- ◆ Соблюдайте угол в 5–10 градусов между инструментом и рабочей поверхностью, как показано на рисунке I.
- ◆ При работе с дисковыми щетками прижимайте край круга к рабочей поверхности.
- ◆ Постепенно перемещайте инструмент вперед и назад, чтобы предотвратить образование неровностей на поверхности заготовки. Длительное удержание инструмента на одном месте, а также круговые движения по круговой поверхности приводят к образованию отскоков обжигания и завихрения.
- ◆ Поднимите инструмент от обрабатываемой поверхности перед его выключением. Прежде чем положить инструмент, дождитесь его полной остановки.

Осторожно! Соблюдайте особую осторожность при работе вблизи краев, так как при этом увеличена вероятность резкого смещения инструмента.

Установка и эксплуатация отрезных кругов (тип 41)

Отрезные круги включают алмазные и абразивные круги. Доступны абразивные отрезные круги для металла и бетона. Также для отрезных работ по бетону можно использовать алмазные круги.

ПРИМЕЧАНИЕ. При использовании отрезных кругов необходимо использовать двухстороннее защитное ограждение Тип 41, которое продается отдельно. Использование поврежденных или неправильных фланцев или кожухов может привести к травмам в результате разрушения круга или соприкосновения с ним. Для установки отрезных кругов необходимо использовать задний фланец и резьбовую зажимную гайку (поставляется вместе с инструментом) подходящего диаметра.

Установка кожуха закрытого типа (тип 41) (рис. J, K, L)

- ◆ Совместите три выступа ограждения (7) с тремя прорезями на ступице. При этом выступы совместятся с прорезями на корпусе редуктора, как показано на рисунке J.

- ◆ Надавите на кожух, чтобы выступ кожуха вступил в зацепление с прорезью ступицы корпуса редуктора, как показано на рисунке К.
- ◆ Поверните кожух (7) против часовой стрелки, чтобы зафиксировать его. Для обеспечения оптимальной защиты ограждение должно располагаться между шпинделем и оператором, как показано на изображении L.
- ◆ Затяните винт ограждения, чтобы закрепить ограждение на корпусе редуктора. Правильно затянутое ограждение невозможно повернуть рукой. Если ограждение не затянуто надлежащим образом, эксплуатация инструмента запрещена.
- ◆ Чтобы снять ограждение, ослабьте винт ограждения. Затем поверните ограждение таким образом, чтобы три выступа на ограждении (7) совместились с тремя прорезями на ступице и потяните ограждение вверх.

Установка отрезных кругов

- ◆ Установите задний фланец без резьбы на шпиндель выступающей (направляющей) частью вверх. Выступающая (направляющая) часть заднего фланца упрется в круг при его установке.
- ◆ Установите круг на задний фланец, разместив центр круга на выступающей (направляющей) части.
- ◆ Навинтите резьбовую зажимную гайку выступающей (направляющей) частью от круга.
- ◆ Нажмите на кнопку блокировки шпинделя и затяните зажимную гайку с помощью укомплектованного ключа.
- ◆ Для демонтажа круга нажмите на кнопку блокировки шпинделя и ослабьте резьбовую зажимную гайку с помощью укомплектованного ключа.

Осторожно! Запрещается использовать круги для шлифования кромок/отрезные круги для шлифования поверхностей, так как они не рассчитаны на боковые нагрузки. Это может привести к разрушению круга и личным травмам.

- ◆ Дождитесь, пока инструмент наберет полные обороты, прежде чем прикасаться им к обрабатываемой поверхности.
- ◆ Прилагайте минимальное давление на рабочую поверхность, чтобы инструмент работал на высоких оборотах. Чем выше частота оборотов инструмента, тем быстрее происходит отрезание.
- ◆ Начав разрез заготовки, не изменяйте угол разреза. Изменение угла приведет к изгибанию круга и может привести к его разрушению.
- ◆ Поднимайте инструмент от обрабатываемой поверхности перед его выключением. Прежде чем положить инструмент, дождитесь его полной остановки.

Использование

Осторожно! Инструмент должен работать в обычном режиме. Избегайте перегрузок.

- ◆ Аккуратно протягивайте кабель, чтобы случайно его не перерезать.
- ◆ Будьте готовы к потоку искр при шлифовке или когда отрезной диск касается рабочей поверхности.
- ◆ Всегда размещайте инструмент таким образом, чтобы защитный кожух обеспечивал оптимальную защиту при шлифовке или работе с отрезным диском.

Включение и выключение

- ◆ Чтобы включить инструмент, нажмите на выключатель (1).
- ◆ Чтобы выключить инструмент отпустите спусковой выключатель (1).

Осторожно! Не выключайте инструмент под нагрузкой.

Советы по оптимальному использованию

- ◆ **Крепко держите инструмент одной рукой за боковую рукоятку, а другой рукой за основную ручку.**
- ◆ При шлифовке сохраняйте угол в примерно 15° между диском и поверхностью обрабатываемой детали.

Техническое обслуживание

Проводной/беспроводной инструмент Stanley Fat Max имеет длительный срок эксплуатации и требует минимальных затрат на техобслуживание. Для длительной безотказной работы необходимо обеспечить правильный уход за инструментом и его регулярную очистку.

Осторожно!

Перед выполнением любых работ по обслуживанию проводных/беспроводных инструментов:

- ◆ Выключите и отключите от сети инструмент.
- ◆ Или выключите инструмент и вытащите аккумуляторную батарею, если для него есть отдельная аккумуляторная батарея.
- ◆ Или полностью выработайте заряд аккумуляторной батареи, если она встроенная и затем выключите инструмент.
- ◆ Перед очисткой инструмента отсоедините его от зарядного устройства. Зарядное устройство не требует никакого обслуживания кроме регулярной очистки.
- ◆ Регулярно очищайте вентиляционные отверстия зарядного устройства с помощью мягкой щетки или сухой тканевой салфетки.

- ◆ Регулярно очищайте корпус двигателя с помощью влажной салфетки. Не используйте никакие абразивные чистящие средства или средства на основе растворителей.
- ◆ Регулярно открывайте патрон и сверху очищайте ее от грязи (после установки).

Замена штепсельной вилки (только для Великобритании и Ирландии)

Если нужно установить штепсельную вилку:

- ◆ Осторожно снимите старую вилку.
- ◆ Подсоедините коричневый провод к терминалу фазы в новой вилке.
- ◆ Подсоедините синий провод к нулевому терминалу.

Осторожно! Заземления не требуется.

Соблюдайте инструкции по установке вилок высокого качества.

Рекомендованный предохранитель: 13 А.

Неисправности и способы их устранения

Неисправность	Возможная причина	Возможное решение
Инструмент не включается.	Отсоединен кабель. Поврежден кабель или выключатель.	Подключите инструмент к рабочей розетке. Обратитесь в сервисный центр Stanley Fat Max или к уполномоченному обслуживающему персоналу для замены кабеля или выключателя.

Таблица отрезных и шлифовальных

принадлежностей

Шлифовальные круги, 125 мм	
 Кожух тип 27	 Кожух тип 27
 Задний фланец без резьбы	 Круг со ступицей тип 27
 Круг тип 27 с вогнутым профилем	
 Резьбовая зажимная гайка	
Шлифовальные лепестковые круги, 125 мм	
 Кожух тип 27	 Кожух тип 27
 Шлифовальный лепестковый круг со ступицей	 Задний фланец без резьбы
	 Шлифовальный лепестковый круг без ступицы
	 Резьбовая зажимная гайка

Отрезные круги тип 41, 125 мм	
	
Кожух тип 41	Кожух тип 41
	
Задний фланец	Задний фланец
	
Абразивный отрезной круг	Алмазный отрезной круг
	
Зажимная гайка	Зажимная гайка
Дисковая щетка	
	
Кожух тип 27	Кожух тип 27
	
3-дюймовая чашечная проволочная щетка	4-дюймовая чашечная проволочная щетка
Наждачные диски	
	
Резиновый диск-подошва	
	
Наждачный диск	
	
Резьбовая зажимная гайка	

Изделия и аккумуляторные батареи содержат материалы, которые могут быть извлечены или переработаны, снижая потребность в исходном сырье.

Пожалуйста, утилизируйте электрические изделия и аккумуляторные батареи в соответствии с местными нормами. Дополнительная информация доступна по адресу www.2helpU.com

Технические характеристики

		KFFMEG220
Входное напряжение		230
Потребляемая мощность	Вт	850
Номинальное количество оборотов	мин ⁻¹	12000
Внутренний диаметр (посадка) отрезного диска	мм	22
Максимальная толщина диска		
Шлифовальные круги	мм	6
Отрезные диски	мм	3,5
Размер шпинделя		M14
Вес	кг	1,9

Уровень звукового давления согласно EN 60745:

Акустическое давление (L_{pA}) 96 дБ(А), погрешность (К) 3 дБ(А)

уровень звуковой мощности (L_{WA}) 107 дБ(А), погрешность (К) 3 дБ(А)

Общие значения вибрации (сумма триаксиального вектора), определенные в соответствии со стандартом EN 60745:

Шлифовка ($a_{h,SC}$) 5,4 м/сек², погрешность (К) 1,5 м/сек²

Зачистка диском ($a_{h,DS}$) 5,4 м/сек², погрешность (К) 1,5 м/сек²

Защита окружающей среды



Отдельная утилизация. Изделия и аккумуляторные батареи с данным символом на маркировке запрещается утилизировать с обычными бытовыми отходами.

Заявление о соответствии нормам ЕС ДИРЕКТИВА ПО МЕХАНИЧЕСКОМУ ОБОРУДОВАНИЮ



KFFMEG220 Угловая шлифовальная машина Stanley Europe заявляет, что продукция, описанная в «технических характеристиках» соответствует:
2006/42/ЕС, EN 60745-1:2009 + A11:2010;
EN 60745-2-3:2011 + A2:2013 + A11:2014
+ A12:2014 + A13:2015

Эти продукты также соответствуют Директиве 2014/30/EU и 2011/65/EU.

За дополнительной информацией обращайтесь в компанию Stanley Europe по адресу, указанному ниже или приведенному на задней стороне обложки руководства. Нижеподписавшийся несет ответственность за составление технической документации и составил данную декларацию по поручению компании Stanley Europe.

Ray Laverick
Директор инженерного отдела
Stanley Europe, Egide Walschaertsstraat 14-18,
2800 Mechelen, Бельгия
31.08.2017

Гарантия

Компания Stanley Fat Max уверена в качестве своей продукции и предлагает клиентам гарантию на 12 месяцев с момента покупки. Данная гарантия является дополнительной и ни в коей мере не направлена на ущемление Ваших юридических прав. Гарантия действует на территории стран-участниц ЕС и в Европейской зоне свободной торговли.

Чтобы подать заявку по гарантии, заявка должна соответствовать положениям и условиям Stanley Fat Max; кроме того, Вам потребуется предъявить продавцу или авторизованному специалисту по ремонту подтверждение покупки. Положения и условия 1-летней гарантии Stanley Fat Max и местонахождение ближайшего авторизованного специалиста по ремонту можно узнать через Интернет по адресу www.2helpU.com, или связавшись с местным представительством Stanley Fat Max по адресу, указанному в данном руководстве.

Посетите наш веб-сайт www.blackanddecker.co.uk, чтобы зарегистрировать свое новое изделие Stanley Fat Max и получить информацию о новинках и специальных предложениях

(Orijinal talimatların Çeviri)

TÜRKÇE

Kullanım amacı

Stanley Fat Max KFFMEG220 avuç taşlama makineniz uygun kesme ve taşlama disk türü kullanılarak metalin ve ahşabın taşlanması/kesilmesi amacıyla tasarlanmıştır. Uygun koruma takıldığında, bu aletler profesyonel, özel ve profesyonel dışı kullanıma yöneliktir.

Güvenlik talimatları

Genel elektrikli alet güvenlik talimatları



Uyarı! Bütün güvenlik uyarılarını ve talimatlarını mutlaka okuyun. Aşağıda listelenen uyarı ve talimatlara uyulmaması elektrik şoku, yangın ve/veya ciddi boyutta yaralanmalara neden olabilir.

Bütün uyarı ve güvenlik talimatlarını ileride bakmak üzere muhafaza edin. Aşağıda yer alan uyarılardaki "elektrikli alet" terimi şebeke elektrigiyle (kablolu) veya akü/pille (şarjlı) çalışan elektrikli aletinizi ifade etmektedir.

1. Çalışma alanının güvenliği

- Çalışma alanınızı temiz ve aydınlık tutun.** Dağınık ve karanlık alanlar kazaya davetiye çıkarır.
- Elektrikli aletleri, yanıcı sıvılar, gazlar ve tozların bulunduğu yerler gibi yanıcı ortamlarda çalıştırmayın.** Elektrikli aletler, toz veya dumanları ateşleyebilecek kıvılcımlar çıkarır.
- Bir elektrikli aleti çalıştırmak çocuklardan ve etraftaki kişilerden uzak tutun.** Dikkatinizi dağıtıcı şeyler kontrolü kaybetmenize neden olabilir.

2. Elektrik güvenliği

- Elektrikli aletlerin fişleri prizlere uygun olmalıdır. Fiş üzerinde kesinlikle hiçbir değişiklik yapmayın. Topraklı elektrikli aletlerde hiçbir adaptör fişi kullanmayın.** Değiştirilmemiş fişler ve uygun prizler elektrik çarpması riskini azaltacaktır.
- Borular, radyatörler, mutfak ocakları ve buz dolapları gibi topraklanmış yüzeylerle vücudunuzun temas etmesini engelleyin.** Vücudunuzun topraklanması halinde yüksek bir elektrik çarpması riski vardır.
- Elektrikli aletleri yağmura maruz bırakmayın veya ıslatmayın.** Elektrikli alete su girmesi elektrik çarpması riskini arttıracaktır.

- d. **Elektrik kablosunu uygun olmayan amaçlarla kullanmayın. Elektrikli aleti kesinlikle kablosundan tutarak taşımayın, çekmeyin veya prizden çıkartmayın. Kabloyu sıcaaktan, yağdan, keskin kenarlardan veya hareketli parçalardan uzak tutun. Hasarlı veya dolaşmış kablolar elektrik çarpması riskini artırır.**
- e. **Elektrikli bir aleti açık havada çalıştırıyorsanız, açık havada kullanıma uygun bir uzatma kablosu kullanın. Açık havada kullanıma uygun bir kablunun kullanılması elektrik çarpması riskini azaltır.**
- f. **Elektrikli aletin nemli ortamda çalıştırılması kaçınılmazsa, bir artık akım cihazı (RCD) korumalı besleme kullanın. RCD kullanılması elektrik şoku riskini azaltır.**

3. Kişisel güvenlik

- a. **Elektrikli bir aleti kullanırken her zaman dikkatli olun, yaptığınız işe yoğunlaşın ve sağduyulu davranın. Elektrikli bir aleti yorgunken veya ilaç ya da alkolün etkisi altındayken kullanmayın. Elektrikli aletleri kullanırken bir anlık dikkatsizlik ciddi kişisel yaralanmaya sonuçlanabilir.**
- b. **Kişisel koruyucu ekipman kullanın. Daima koruyucu gözlük takın. Koşullara uygun toz maskesi, kaymayan güvenlik ayakkabıları, baret veya kulaklık gibi koruyucu donanımların kullanılması kişisel yaralanmaları azaltacaktır.**
- c. **İstem dışı çalıştırılmasını önleyin. Cihazı güç kaynağına ve/veya aküye bağlamadan, yerden kaldırmadan veya taşımadan önce düğmenin kapalı konumunda olduğundan emin olun. Aleti, parmağınız tetik üzerinde bulunacak şekilde taşımak veya açık durumdaki elektrikli aletleri elektrik şebekesine bağlamak kazaya davetiye çıkarır.**
- d. **Elektrikli aleti açmadan önce tüm ayarlamaları anahtarlarını çıkartın. Elektrikli aletin hareketli bir parçasına takılı kalmış bir anahtar kişisel yaralanmaya neden olabilir.**
- e. **Ulaşmakta zorlandığınız yerlerde kullanmayın. Daima sağlam ve dengeli basın. Bu, beklenmedik durumlarda elektrikli aletin daha iyi kontrol edilmesine olanak tanır.**
- f. **Uygun şekilde giyinin. Bol elbiseler giymeyin ve takı takmayın. Saçınızı, elbiselerinizi ve eldivenlerinizi hareketli parçalardan uzak tutun. Bol elbiseler ve takılar veya uzun saç hareketli parçalara takılabilir.**
- g. **Toz çekme ve toplama araç-gereçlerinin bağlanması için cihazlar verilmesi halinde, bunların uygun biçimde bağlanması ve kullanılmasını sağlayın. Bu cihazların kullanılması tozla ilgili tehlikeleri azaltabilir.**

4. Elektrikli aletlerin kullanımı ve bakımı

- a. **Elektrikli aleti zorlamayın. Uygulamanız için doğru elektrikli aleti kullanın. Doğru elektrikli alet, belirlendiği**

kapasite ayarında kullanıldığında daha iyi ve güvenli çalışacaktır.

- b. **Tetik açılmasını ve kapanmasını sağlamıyorsa elektrikli aleti kullanmayın. Düşmeyle kontrol edilemeyen tüm elektrikli aletler tehlikelidir ve tamir edilmesi gerekmektedir.**
- c. **Herhangi bir ayarlama, aksesuar değişimi veya elektrikli aletlerin saklanması öncesinde fişi güç kaynağından çekin ve/veya aküyü aletten ayırın. Bu tür önleyici güvenlik tedbirleri elektrikli aletin istem dışı çalıştırılma riskini azaltacaktır.**
- d. **Elektrikli aleti, çocukların ulaşamayacağı yerlerde saklayın ve elektrikli aleti kullanmayı veya bu talimatları bilmeyen kişilerin elektrikli aleti kullanmasına izin vermeyin. Elektrikli aletler, eğitimsiz kullanıcıların elinde tehlikelidir.**
- e. **Elektrikli aletlerin bakımını yapın. Hareketli parçalardaki hizalama hatalarını ve tutuklukları, parçalardaki kırılmalar ve elektrikli aletin çalışmasını etkileyebilecek tüm diğer koşulları kontrol edin. Hasarlı ise, elektrikli aleti kullanmadan önce tamir ettirin. Kazaların çoğu, elektrikli aletlerin bakımının yeterli şekilde yapılmamasından kaynaklanır.**
- f. **Kesim aletlerini keskin ve temiz tutun. Bakımı uygun şekilde yapılmış keskin kesim uçlu kesim aletlerinin sıkışma ihtimali daha düşüktür ve kontrol edilmesi daha kolaydır.**
- g. **Elektrikli aleti, aksesuarlarını ve aletin diğer parçalarını kullanırken bu talimatlara mutlaka uyun ve çalışma ortamının koşullarını ve yapılacak işin ne olduğunu göz önünde bulundurun. Elektrikli aletin öngörülen işlemler dışındaki işlemler için kullanılması tehlikeli durumlara neden olabilir.**

5. Servis

- a. **Elektrikli aletinizi, sadece orijinal yedek parçaları kullanıldığı yetkili servise tamir ettirin. Bu, elektrikli aletin güvenliğinin muhafaza edilmesini sağlayacaktır.**

Elektrikli aletler için ek güvenlik talimatları



Uyarı! Taşlama, Zımparalama, Tel Fırçalama, Cilalama veya Zımparalı Kesme İşlemleriyle ilgili ek güvenlik uyarıları

- ◆ **Bu elektrikli aletin taşlama, zımpara, tel fırça, cilalama veya kesme aleti olarak iş görmesi amaçlanmıştır. Bu elektrikli aletle verilen tüm güvenlik uyarılarını, talimatları, resimleri ve teknik özellikleri okuyun. Aşağıda listelenen tüm talimatlara uyulmaması elektrik çarpmasına, yangına ve/veya ciddi yaralanmalara neden olabilir.**
- ◆ **Cilalama ve kesme gibi işlemlerin bu elektrikli alet ile yapılması önerilmez. Elektrikli aletin kullanım amacı**

dışındaki işlemler tehlike yaratarak yaralanmalara neden olabilir.

- ◆ **Alet üreticisinin özellikle tasarlamadığı veya önermediği aksesuarları kullanmayın.** Elektrikli aletinize takılan bu gibi aksesuarlar güvenli bir işlem sağlamaz.
- ◆ **Aksesuarın devir sayısı en az elektrikle alette belirtilen maksimum hıza eşit olmalıdır.** Kendi devir hızından daha hızlı çalıştırılan aksesuarlar kırılıp ayrılabilir.
- ◆ **Aksesuarınızın dış çapı ve kalınlığı elektrikli aletinizin hız kapasitesi sınırları içinde olmalıdır.** Yanlış boyutlu aksesuarlar düzgün korunamaz ya da kontrol altında tutulamaz.
- ◆ **Aksesuarların dişi montajı, taşıma makinesi mil dişiyle eşleşmelidir.** Flaşlarla monte edilen aksesuarlar için, aksesuarın mil deliği flanşın yerleştirme çapına uygun olmalıdır. Elektrikli aletin montaj donanımına uymayan aksesuarlar dengesizleşir, aşırı titrer ve kontrolün kaybedilmesine neden olabilir.
- ◆ **Hasarlı aksesuarları kullanmayın.** Her kullanım öncesi, talaş ve çatlak için zımpara taşı, çatlak, yırtık ve aşırı yıpranma için destek yastığı, gevşeme ve kırık tel için tel fırça gibi aksesuarları inceleyin. Elektrikli alet veya aksesuar düşerse hasar görüp görmediğine bakın ya da yeni bir aksesuar takın. Aksesuarı inceleyip taktıktan sonra bir dakika boyunca elektrikle aleti yüksüz hızda çalıştırın. Hasarlı aksesuarlar normal olarak bu test sırasında ayrılacaktır.
- ◆ **Kişisel koruyucu ekipmanları kullanın. Uygulamaya bağlı olarak yüz siperi veya güvenlik gözlüğü kullanın. Duruma bağlı olarak toz maskesi, kulaklık, eldiven ve aşındırıcı maddeleri ya da işleme tabi tutulan parçaları durdurabilecek iş önlüğü kullanın.** Göz koruyucu, çeşitli işlemlerin neden olduğu uçan parçacıkları durdurabilecek özellikte olmalıdır. Toz maskesi veya solunum cihazı işinizin ürettiği parçacıkları filtreleyebilmelidir. Uzun süreli olarak çok yoğun sese maruz kalınması işitme kaybına neden olabilir.
- ◆ **İzleyenleri çalışma alanından güvenli bir mesafede uzak tutun.** Çalışma alanına giren herkes koruyucu ekipman giymelidir. Çalışmanızdan kaynaklanan parçacıklar veya kırık aksesuar fırlatabilir ve çalışma alanın içinde yaralanmalara neden olabilir.
- ◆ **Kesici aletin, gömülü elektrik kablolarına veya kendi kablosuna temas etmesine yol açabilecek durumlarda elektrikli aleti yalnızca izole edilmiş saplarından tutun.** Kesici aletin, "elektrik akımı" bulunan kablolarla teması halinde "akım", elektrikli aletin iletken metal parçaları üzerinden operatöre iletilerek elektrik çarpmasına yol açabilir.
- ◆ **İş parçasını stabil bir yüzeye sabitlemek ve desteklemek için kelepçe veya başka pratik yöntemler**

kullanın. İş parçasını elle tutmak veya vücudunuza dayamak dengesizliğe ve kontrol kaybına neden olabilir.

- ◆ **Kabloyu dönen aksesuarların uzağından geçirin.** Kontrolü kaybederseniz, kablo kesilebilir veya sıkışabilir; elinizi ya da bacağınızı dönen aksesuara kapatabilirsiniz.
- ◆ **Elektrikli aleti hiçbir zaman, aksesuar tamamen durmadan yüzü aşağı bakacak şekilde bırakmayın.** Dönen aksesuar yüzeyi kavrayabileceğinden elektrikli alet kontrolünüzden çıkabilir.
- ◆ **Yanınızda taşıdığınız sırada elektrikli aleti çalıştırmayın.** Dönen aksesuarın yanlışlıkla değişimi sonucu gıysınız sıkışabilir ve aksesuarı bedeninize doğru çekebilir.
- ◆ **Elektrikli aletin havalandırma deliklerini düzenli olarak temizleyin.** Motor fanı tozu gövdenin içine çeker ve toz metallerin aşırı miktarda birikmesi elektrik hasarlarına yol açabilir.
- ◆ **Elektrikli aleti yanıcı malzemelerin yakınında çalıştırmayın.** Kıvılcımlar bu maddeleri tutuşturabilir.
- ◆ **Sıvı soğutucu gereken aksesuarları kullanmayın.** Sıvı ya da başka soğutucu sıvının kullanılması elektrik çarpmasına, hatta ölüme neden olabilir.

Not: Yukarıdaki uyarı özellikle sıvı sistemle kullanılmak üzere tasarlanmış elektrikli aletler için geçerli değildir.

Geri çekme ve ilgili uyarılar

Geri çekilme, tutunma veya sıkışan döner diske, destek yastığına, fırçaya veya başka herhangi bir aksesuara verilen ilk tepkidir. Tutunma veya sıkışma, bağlanma noktasında elektrikli aleti aksesuar yönünün aksi yönde dönmeye zorlayabilecek, dönen aksesuarın hemen teklemesine neden olabilir.

Örneğin, zımpara taşı çalışma parçasına tutunur veya sıkışırsa, tutunma noktasına giren taşın kenarı, taşın dışarı fırlamasına neden olarak malzemenin yüzeyini oyabilir. Tutunma noktasında taşın dönme yönüne bağlı olarak, taş çalışan kişiye ya da aksi yöne doğru fırlatabilir. Bu koşullarda zımpara taşları kırılabilir.

Geri çekilme, elektrikli aletin yanlış kullanımı ve/veya yanlış çalışma prosedürlerinin ya da koşullarının bir sonucudur; aşağıda verilenler gibi düzgün önlemlerle önlenebilir.

- ◆ **Elektrikli aleti sıkıca tutup, beden ve kolunuzun konumunu geri çekilme gücüne direnecek şekilde ayarlayın.** Başlangıçta geri çekilme veya tork tepkisine karşı maksimum kontrol için her zaman, veriliyise yardımcı kolu kullanın. Operatör, doğru önlemler alındıysa tork tepkilerini ve geri çekilme güçlerini kontrol altına alabilir.
- ◆ **Elinizi hiçbir zaman dönen aksesuara yaklaştırmayın.** Aksesuar elinize doğru çekilebilir.
- ◆ **Bedeninizi, geri çekilme durumunda elektrikli aletin gelebileceği bir yere getirmeyin.** Geri çekilme, kavrama

noktasında disk hareketinin aksi yönde aleti fırlatabilir.

- ◆ **Köşelerde, keskin kenarlarda vb. çalışırken özel dikkat gösterin. aksesuarın zıplamasını ve sıkışmasını önleyin.** Köşeler, keskin kenarlar veya zıplama, dönen aksesuarın takılmasına neden olarak kontrolün kaybolmasına veya geri tepmeye yol açabilir.
- ◆ **Testere zinciri ahşap oyma bıçağı veya dişli testere bıçağı takmayın.** Bu gibi bıçaklar sık sık geri çekilmeye neden olup kontrolü kaybettirir.

Taşlama ve zımparalı kesme işlerine özel güvenlik uyarıları

- ◆ **Yalnızca elektrikli aletiniz için önerilen disk türlerini ve seçilen disk için özel tasarlanmış koruyucu kullanın.** Elektrikli alet için tasarlanmamış diskler yeterince koruyamayıp güvenli olmayabilir.
- ◆ **Ortasından sıkılmış disklerin taşlama yüzeyi, koruyucu dudağın düzleminin altına monte edilmelidir.** Koruma dudağının düzleminden çıkıntı yapan hatalı monte edilmiş bir disk, yeterli düzeyde korunamaz.
- ◆ **Koruyucu parçanın elektrikli alete sıkıca takılması ve maksimum güvenlik için diskin operatöre görünen bölümü en az olacak şekilde yerleştirilmesi gerekir.** Koruma, operatörü kırık disk parçalarına, yanlışlıkla diskle temas kurmaya ve kıyafetleri tutuşturabilecek kırılcılara karşı korur.
- ◆ **Disklerin yalnızca önerilen uygulamalar için kullanılması gerekir. Örneğin: Kesme diskinin yanlışta taşlama yapmayın.** Zımparalı kesme diskleri çevre taşlaması için tasarlanmıştır; bu disklere yandan güç uygulanması kırılmalarına neden olabilir.
- ◆ **Her zaman, seçili diskinize göre doğru boyutta ve şekilde hasarsız disk flanşları kullanın.** Düzgün disk flanşları diski destekleyerek disk kırılması olasılığını azaltır. Kesme diski flanşları taşlama diski flanşlarından farklı olabilir.
- ◆ **Daha büyük elektrikli aletlere ait aşınmış diskleri kullanmayın.** Büyük elektrikli alet için tasarlanmış disk küçük aletin yüksek hızı için uygun değildir ve parçalanabilir.

Zımparalı kesme işlerine özel ek güvenlik uyarıları

- ◆ **Kesme diskinde "bastırmayın" veya aşırı baskı uygulamayın. Aşırı derin kesme işlerini denemeyin.** Diske aşırı baskı, kesme sırasında diskin dönüşüne veya tutukluğuna yükün ve hassasiyetin yanı sıra geri çekilme ya da diskin kırılması olasılığını artırır.
- ◆ **Bedeninizi dönen diskin hizasına veya ardına getirmeyin.** Çalışma sırasında disk bedeninizden ileri fırlarsa olası geri çekilme dönen diski ileri çekerken elektrikli aleti de doğrudan size doğru iter.
- ◆ **Çark bağlandığında veya kesme işlemi herhangi bir nedenle kesildiğinde elektrikli aleti kapatıp, disk**

tamamen durana kadar elektrikli aleti hareketsiz tutun. Disk hareket halindeyken asla kesme çarkını çıkarmaya çalışmayın; geri çekilme oluşabilir. Disk bağlanması nedenini ortadan kaldırmak amacıyla inceleyip düzeltmelerini yapın.

- ◆ **Kesme işlemini çalışma parçasında başlatmayın. Diskin tam devire erişmesini bekleyip kesme işlemine dikkatli bir şekilde yeniden başlayın.** Elektrikli alet çalışma parçasında yeniden başlatılırsa disk takılabilir, ilerleyebilir veya geri çekilebilir.
- ◆ **Tutunma riskini ve geri çekilmeyi azaltmak için panelleri veya çok büyük çalışma parçalarını destekleyin.** Büyük çalışma parçaları kendi ağırlıklarıyla eğilmeye eğilimlidir. Desteklerin, diskin her iki yanında kesme hattına ve çalışma parçasının kenarına yakın, alt tarafa yerleştirilmeleri gerekir.
- ◆ **Varolan duvarlarda veya diğer kör alanlarda "delik kesimi" yaparken daha fazla özen gösterin.** Disk gaz veya su borularını, elektrik tesisatını veya geri çekilmeye neden olabilecek başka bir nesneye kesebilir.

Zımpara işlemlerine özel güvenlik uyarıları

- ◆ **Çok büyük zımpara kağıtları kullanmayın. Zımpara kağıdı seçerken üreticinin önerilerini dikkate alın.** Zımpara yastığından taşan büyük zımpara kağıtları yırtılabilir ve diskin sıkışmasına, yırtılmasına ya da geri çekilmesine neden olabilir.

Tel fırça işlemlerine özel güvenlik uyarıları

- ◆ **Normal işlem sırasında bile tellerin fırçadan fırlayabileceğini unutmayın.** Fırçaya fazla yüklenerek aşırı baskı yapmayın. Teller ince gıysilere ve deriye kolayca batabilir.
- ◆ **Tel fırça işlemi için koruyucu önerilmişse, tel diskin veya fırçanın koruyucusuyla temasını engelleysin.** Tel diskin veya fırçanın çapı iş yükü veya merkezkaç kuvveti nedeniyle büyüyebilir.

Diğer kişilerin güvenliği

- ◆ **Cihaz, güvenliklerinden sorumlu kişi gözetiminde cihazın kullanımını hakkında bilgi verilmeksizin, sınırlı fiziksel (çocuklar dahil), duyuşsal veya zihinsel kapasiteli veya deneyimsiz ve bilgisiz kişiler tarafından kullanılmamalıdır.**
- ◆ **Cihazla oynamadıklarından emin olmak için çocuklar gözetim altında tutulmalıdır.**

Kalıcı riskler.

Alet kullanılırken, ekteki güvenlik uyarılarında bulunmayan ek kalıcı riskler oluşabilir.

Bu riskler, yanlış kullanım, uzun süreli kullanım vb. sonucu oluşabilir.

İlgili güvenlik talimatlarına uyulması ve güvenlik aletlerinin kullanılması halinde bile bazı kalıcı riskler engellenemeyebilir.

Bunlar aşağıdakileri içermektedir:

- ◆ Dönen/hareket eden parçalara dokunarak yaralanmalar.
- ◆ Parça, bıçak veya aksesuar değiştirirken oluşan yaralanmalar.
- ◆ Aletin uzun süreli kullanılmasıyla oluşan yaralanmalar. Herhangi bir alet uzun süre kullanıldığında düzenli aralar vermeye özen gösterin.
- ◆ İşitme kaybı.
- ◆ Alet kullanılırken oluşan tozun solunmasıyla ortaya çıkan sağlık sorunları (örneğin: ahşap (özellikle meşe), ağartıcı ve MDF ile çalışırken).

Titreşim

Teknik veriler ve uygunluk beyanati içerisinde belirtilen titreşim emisyon değerleri EN60745 tarafından belirlenen standart bir test yöntemine uygun olarak ölçülmektedir ve diğer bir aletle karşılaştırma yaparken kullanılabilir. Beyan edilen titreşim emisyon değeri aynı zamanda maruz kalmanın önceden değerlendirilmesinde de kullanılabilir.

Uyarı! Elektrikli aletin mevcut kullanımı sırasındaki titreşim emisyon değeri, aletin kullanım yöntemine bağlı olarak, beyan edilen değere göre farklılık sergileyebilir. Titreşim düzeyi belirlenen seviyenin üzerinde artış gösterebilir.

İş yerinde düzenli olarak elektrikli alet kullanan çalışanları korumak amacıyla 2002/44/EC tarafından getirilen elektrik güvenliği önlemlerini belirlemek üzere titreşime maruz kalmayı değerlendirirken, çalışma döngüsü içerisinde örneğin aletin kapalı olduğu ve aktif durumda olmasının yanı sıra boşta çalıştığı zamanlar gibi, bütün zaman dilimleri dahil olmak üzere mevcut kullanım durumu ve aletin kullanım şekli göz önünde bulundurulurak değerlendirilmelidir.

Alet üzerindeki etiketler

Takip eden piktogramlar tarih kodu ile birlikte cihazın üzerinde yer almaktadır:



Uyarı! Yaralanma riskini en aza indirmek için kullanıcı kullanım talimatlarını mutlaka okumalıdır.



Bu aleti çalıştırırken koruyucu gözlükler takın.



Bu aleti çalıştırırken kulaklıklar takın.

Elektrik güvenliği

Şarj cihazınız çift yalıtımlıdır bu yüzden hiçbir topraklama kablosuna gerek yoktur. Her zaman sebeke geriliminin aletin üretim etiketinde belirlenmiş değerlere uyup uymadığını kontrol edin.



- ◆ Elektrik kablosu hasarlı ise, bir tehlike oluşmasını önlemek için üretici ya da yetkili Stanley Fat Max Servis Merkezi tarafından değiştirilmelidir.

Volta j düşüşleri

Ani akımlar kısa süreli volta j düşüşlerine sebep olur. Olumsuz güç kaynağı koşulları altında, diğer donanımlar etkilenebilir. Güç kaynağının sistem sistem empedansı 0,107 Ω'dan düşüğe, bozulma olması muhtemel değildir.

Özellikler

Bu alet, aşağıdaki özelliklerin bir kısmını veya tümünü içermektedir.

1. Açma/kapama svici
2. Mil kilidi
3. Koruma
4. Yan tutamak

Montaj

Uyarı! Montajdan önce aletin kapalı ve fişinin çekilmiş olduğundan emin olun.

Koruyucunun takılması ve çıkartılması (Şek. A)

Alet yalnızca taşlama amacına yönelik koruyucuyla verilir (tip 27). Ünite kesme işlemi için düşünülüyorsa bu işleme uygun bir koruyucunun takılması gerekir (tip 41). Uygun siper parça numaraları N551980 (115mm kesme diski için) ve N542445 (125mm kesme diski için) mevcuttur ve Stanley Fat Max servis merkezlerinden alınabilir. **Takma**

- ◆ Aleti, mil (4) yukarı bacak şekilde masaya koyun.
- ◆ Keleççe kilidini (5) açın ve aletin üzerindeki siperi (3) şekilde gösterildiği gibi tutun.
- ◆ Tırnakları (6) çentiklerle (7) hizalayın.
- ◆ Siperi aşağı bastırın ve istenen pozisyona saat yönünün tersine doğru çevirin.
- ◆ Siperi alete sabitlemek için keleççe kilidini (5) takın.
- ◆ Keleççeleme kuvvetini artırmak için gerekirse vidayı (8) sıkın.

Çıkartma

- ◆ Keleççe kilidini (5) açın.
- ◆ Tırnakları (6) çentiklerle (7) hizalamak için siperi saat yönünün tersine çevirin.
- ◆ Aleti siperden çıkarın.

Uyarı! Aleti hiçbir zaman koruyucu olmadan kullanmayın.

Yan kulpu takma

- ◆ Yan kulpu (4) alettaki montaj deliklerinden birine vidalayın.

Uyarı! Yan kulpu her zaman kullanın.

Taşlama disklerini takma ve çıkartma (şekil B - D)

Uygulamanız için her zaman doğru disk türünü kullanın. Her zaman doğru iç ve dış çap boyutuna sahip diskleri kullanın (teknik verilere bakın).

Takma

- ◆ Korumucuyu yukarıda anlatıldığı şekilde takın.
- ◆ İç flanşı (9) mile (4) şekilde görüldüğü gibi yerleştirin (şekil B). Flanşın düzgün bir şekilde milin düz yanına yerleştiğinden emin olun.
- ◆ Diski (10) mile (4) şekilde görüldüğü gibi yerleştirin (şekil B). Diskin yüksek bir merkezi varsa (11), yüksek merkezin iç flanşa karşı olmasını sağlayın.
- ◆ Diskin iç flanşa düzgün oturduğundan emin olun.
- ◆ Dış flanşı (12) mile yerleştirin. Taşlama diskini takılırken dış flanştaki yüksek merkezin disk tarafında olması gerekir (Şekil C'de A). Kesme diskini takılırken dış flanştaki yüksek merkezin disk uzak tarafında olması gerekir (Şekil C'de B).
- ◆ Mil kilidini (2) basılı tutup dış flanşı iki pimli anahtarı (13) kullanarak sıkın (şekil D).

Çıkartma

- ◆ Mil kilidini (2) basılı tutup dış flanşı (12) iki pimli anahtarı (13) kullanarak gevşetin (şekil D).
- ◆ Dış flanşı (12) ve disk (10) çıkartın.

Taşlama diskleri ile yüzey taşlama

- ◆ Üzerinde işlem yapılacak yüzeye dokunmadan önce taşlama makinesinin tam hıza çıkmasını bekleyin.
- ◆ Aletin yüksek hızda çalışmasına izin vererek çalışma yüzeyine asgari basınç uygulayın. Taşlama hızı, aletin yüksek hızda çalışması sırasında en yüksektir.
- ◆ Şekil F'de gösterildiği gibi alet ile çalışma yüzeyi arasında 20° ile 30° arası bir açıyı koruyun.
- ◆ Aleti sürekli ileri ve geri doğru hareket ettirerek çalışma yüzeyinde oyuklar oluşmasını önleyin.
- ◆ Aleti kapatmadan önce işlem yapılan yüzeyden aleti kaldırın. Aleti yere koymadan önce dönmelerinin durmasını bekleyin.

Taşlama diskleri ile kenar taşlama

Kesme ve kenar taşlama için kullanılan diskler, eğer alet kesme ya da derin taşlama işlemi yapmak için kullanılırken bükülürse ya da dönerse, kırılabilir ya da geri tepebilir. Tip 27 disk ile kenar taşlama / kesilmesi, disk yeniyse 13 mm'den az derinlikle sığ kesme ve çentik açma sınırlanmalıdır. Aşınma sebebiyle kesme/çentik açma derinliğini disk yarıçapındaki azalmaya eşit tutun. Daha fazla bilgi için bu kılavuzun sonundaki "Taşlama ve kesme aksesuarı çizelgesine bakın. Tip 41'le kenar taşlama/kesme, Tip 41 siper kullanımını gerektirir.

- ◆ Üzerinde işlem yapılacak yüzeye dokunmadan önce

taşlama makinesinin tam hıza çıkmasını bekleyin.

- ◆ Aletin yüksek hızda çalışmasına izin vererek çalışma yüzeyine asgari basınç uygulayın. Taşlama hızı, aletin yüksek hızda çalışması sırasında en yüksektir.
- ◆ Kendinizi, diskin açık olan alt tarafı sizden uzakta olacak şekilde konumlandırın.
- ◆ Kesim işlemi başladığında ve çalışma parçasında uç belirlendiğinde, kesimin açısını değiştirmeyin. Açığı değiştirmek diskin bükülmesine neden olur. Bu bükülme de diskin kırılmasına yol açabilir. Kenar taşlama diskleri, bükülmenin neden olduğu yan basınçlara dayanmak üzere tasarlanmamıştır.
- ◆ Aleti kapatmadan önce işlem yapılan yüzeyden aleti kaldırın. Aleti yere koymadan önce dönmelerinin durmasını bekleyin.

Uyarı! Disk etiketinin böyle bir kullanımı yasaklamış olması durumunda

yüzey taşlama uygulamaları için kenar taşlama / kesme diskleri kullanmayın, çünkü bu diskler yüzey taşlama sırasında karşılaşılan yan basınçlar için tasarlanmamıştır. Disk kırılabilir ve ciddi kişisel yaralanmalar yaşanabilir.

Zımpara disklerinin takılması ve çıkartılması (Şekil D ve E)

Zımpara için destek yastığı gerekir. Destek yastığı Stanley Fat Max satıcınızda aksesuar olarak bulunabilir.

Takma

- ◆ İç flanşı (9) mile (4) şekilde görüldüğü gibi yerleştirin (şekil E). Flanşın düzgün bir şekilde milin düz yanına yerleştiğinden emin olun.
- ◆ Destek yastığını (14) mile yerleştirin.
- ◆ Zımpara diskini (15) destek yastığına yerleştirin.
- ◆ Dış flanşı (12), yüksek merkezi diskin uzak tarafında olacak şekilde mile yerleştirin.
- ◆ Mil kilidini (2) basılı tutup dış flanşı iki pimli anahtarı (13) kullanarak sıkın (şekil D). Dış flanşın düzgün yerleştiğinden ve diskin sıkı bir şekilde kelepçelendiğinden emin olun.

Çıkartma

- ◆ Mil kilidini (2) basılı tutup dış flanşı (12) iki pimli anahtarı (13) kullanarak gevşetin (şekil D).
- ◆ Dış flanşı (12), zımpara diskini (15) ve destek yastığını (14) çıkartın.

Zımparalama diskleri ile yüzey perdahlama

- ◆ Üzerinde işlem yapılacak yüzeye dokunmadan önce taşlama makinesinin tam hıza çıkmasını bekleyin.
- ◆ Aletin yüksek hızda çalışmasına izin vererek çalışma yüzeyine asgari basınç uygulayın. Zımparalama hızı, aletin yüksek hızda çalışması sırasında en yüksektir.

- ◆ Şekil F'de gösterildiği gibi alet ile çalışma yüzeyi arasında 5° ila 10° arası bir açıyı koruyun.
- ◆ Aleti sürekli ileri ve geri doğru hareket ettirerek çalışma yüzeyinde oyuklar oluşmasını önleyin.
- ◆ Aleti kapatmadan önce işlem yapılan yüzeyden aleti kaldırın. Aleti yere koymadan önce dönmesinin durmasını bekleyin.

Zımparalama destek yastıklarını kullanma

Daima uygulamanıza uygun olan kumtaşı zımparalama diskleri seçin. Zımparalama diskleri çeşitli kumtaşıları ile mevcuttur. Kalın kumtaşı daha hızlı malzeme çıkarma ve daha kaba bir yüzey sağlar. İnce kumtaşı daha yavaş malzeme çıkarma ve daha düzgün bir yüzey sağlar. Hızlı, kaba malzeme çıkarma için kaba kumtaşı disklerle başlayın. Sonra orta kumtaşı kağıda geçin ve en iyi yüzey için son işlemi ince kumtaşı diskle yapın.

- ◆ Kalın = 16 - 30 kumtaşı.
- ◆ Orta = 36 - 80 kumtaşı.
- ◆ İnce Perdahlama = 100 - 120 kumtaşı
- ◆ Çok İnce Perdahlama = 150 - 180 kumtaşı
- ◆ Üzerinde işlem yapılacak yüzeye dokunmadan önce taşlama makinesinin tam hıza çıkmasını bekleyin.
- ◆ Aletin yüksek hızda çalışmasına izin vererek çalışma yüzeyine aşgari basınç uygulayın. Zımparalama hızı, aletin yüksek hızda çalışması sırasında en yüksektir.
- ◆ Şekil H'de gösterildiği gibi alet ile çalışma yüzeyi arasında 5° ila 10° arası bir açıyı koruyun. Zımparalama diski, çalışma yüzeyinin yaklaşık 25 mm'sine temas etmelidir.
- ◆ Aleti sürekli düz bir çizgide hareket ettirerek çalışma yüzeyinin yanmasını ve dönmesini önleyin. Aletin çalışma yüzeyinde hareket etmeden durmasını izin vermek ya da aleti dairesel bir şekilde hareket ettirmek, çalışma yüzeyinde yanma ve dönme izlerine neden olur.
- ◆ Aleti kapatmadan önce işlem yapılan yüzeyden aleti kaldırın. Aleti yere koymadan önce dönmesinin durmasını bekleyin.

Boya zımparalarken alınacak önlemler

- ◆ Zehirli tozun kontrol zorluğu nedeniyle kurşun bazı boyaaların zımparalanması **ÖNERİLMEZ**. Kurşun zehirlenmesi, en fazla çocuklar ve hamile kadınlar için tehlikelidir.
- ◆ Kimyasal analiz yapmadan bir boyanın kurşun içerip içermediğinin belirlenmesi zor olduğundan, boya zımparalarken aşağıdaki önlemler önerilir:
 - ◆ Temizlik bitene kadar, boya zımparalama işlemi yapılan alana çocuk veya hamile kadın girmemelidir.
 - ◆ Çalışma alanına giren herkes bir toz maskesi veya solunum aygıtı kullanılmalıdır. Filtre günlük olarak veya kullanıcı nefes almakta zorlandığında değiştirilmelidir.

Not: Sadece kurşun boya tozu ve dumanlarla çalışmak için uygun olan toz maskeleri kullanılmalıdır. Normal boya

maskeleri bu tür bir koruma sağlamaz. Uygun onaylı maske için yerel donanımlar tedarikçinize başvurun.

- ◆ Zehirli boya parçacıklarının vücuda alınmasını önlemek için çalışma alanında YEMEYİN, İÇMEYİN veya SİGARA İÇMEYİN. Çalışanlar yemeden, içmeden veya sigara içmeden önce yıkanıp temizlenmelidir. Üzerlerine toz yerleşebileceği için çalışma alanında yiyecek, içecek veya sigara bırakılmamalıdır.
- ◆ Boya ortaya çıkan tozu en düşük seviyede tutacak şekilde sökülmelidir.
- ◆ Boya sökme işleminin yapıldığı alanlar 4 milimetre kalınlığında plastik örtüyle kapatılmalıdır.
- ◆ Zımparalama, çalışma alanı dışına çıkan boya tozunu azaltacak şekilde yapılmalıdır.
- ◆ Çalışma alanındaki tüm yüzeyler zımparalama işlemi boyunca günlük olarak elektrik süpürgesiyle süpürülüp iyice temizlenmelidir. Elektrik süpürgesi filtre torbaları sık sık değiştirilmelidir.
- ◆ Plastik örtüler diğer toz, yonga ve atıklarla birlikte toplanmalı ve atılmalıdır. Ağız kapalı çöp torbalarına konup normal çöp atma işlemleri izlenerek atılmalıdır. Temizlik sırasında, çocuklar ve hamile kadınlar çalışma alanından uzak tutulmalıdır.
- ◆ Çocuklar tarafından kullanılan tüm oyuncak, yıkanabilir mobilyalar ve kap kacak tekrar kullanılmadan önce iyice yıkanmalıdır.

Tel fırçalarının ve tel disklerinin takılması ve kullanımı

Tel kapak fırçaları veya tel diskler, flanş kullanımına gerek kalmadan doğrudan öğütücü miline vidalanır. b. Tel fırça ve disk kullanımı için Tip 27 siperi gereklidir. Tel fırça ve disklerle çalışırken iş eldivenleri takın. Keskin olabilirler. Disk veya fırça, monte edildiğinde veya kullanımdayken koruyucuya temas etmemelidir. Aksesuarda fark edilemeyecek hasarlar meydana gelebilir ve bu, aksesuar diskinden veya kovanından teller çıkmasına neden olabilir.

- ◆ Diski mil ekinizle geçirin.
- ◆ Mil kilitleme düğmesine basın ve disk sıkılaşma için tel diskinin veya fırça göbeğinde bir İngiliz anahtarı kullanın.
- ◆ Diski çıkartmak için yukarıdaki talimatları tersten uygulayın.

Uyarı! Aleti döndürmeden önce disk göbeğini düzgün bir şekilde yerine takmamak, alete veya diske zarar verebilir. Tel tekerlekler ve fırçalar, pas, kireç ve boyayı çıkarmak ve pürüzlü yüzeyleri düzeltmek için kullanılabilir.

Not: Boya zımparalarken alınan önlemler, boya fırçalarken de alınmalıdır.

- ◆ Üzerinde işlem yapılacak yüzeye dokunmadan önce taşlama makinesinin tam hıza çıkmasını bekleyin.

- ◆ Aletin yüksek hızda çalışmasına izin vererek çalışma yüzeyine asgari basınç uygulayın. Malzeme çıkarma hızı, aletin yüksek hızda çalışması sırasında en yüksektir.
- ◆ Şekil I'da gösterildiği üzere, alet ile tel kapak fırçaları için çalışma yüzeyi arasında 5° ila 10° arasındaki açıyı koruyun.
- ◆ Disk kenarı ile çalışma yüzeyi arasındaki teması tel disklerle koruyun.
- ◆ Aleti sürekli ileri ve geri doğru hareket ettirerek çalışma yüzeyinde oyuklar oluşmasını önleyin. Aletin çalışma yüzeyinde hareket etmeden durmasına izin vermek ya da aleti dairesel bir şekilde hareket ettirmek, çalışma yüzeyinde yanma ve dönme izlerine neden olur.
- ◆ Aleti kapatmadan önce işlem yapılan yüzeyden aleti kaldırın. Aleti yere koymadan önce dönmesinin durmasını bekleyin.

Uyarı! Bir kenar üzerinde çalışırken, taşlama makinesinin ani keskin hareketine karşı ekstra dikkat gösterin.

Kesme (tip 41) disklerinin montajı ve kullanımı

Kesme diskleri, elmas diskleri ve aşındırıcı diskleri içerir. Metal ve betonda kullanılmak üzere aşındırıcı kesme diskleri mevcuttur. Beton kesimi için elmas bıçaklar da kullanılabilir.

NOT: Kapalı, 2 taraflı Tip 41 kesici disk muhafazası ayrı olarak satılır ve kesme diskleri kullanıldığında gereklidir. Uygun flanş ve koruyucu kullanılmaması, disk kırılması ve disk temasından kaynaklanan yaralanmalara neden olabilir.

Kesme diskleri için uygun çapta destek flanşı ve dişli kelepçe somunu (aletle birlikte verilir) kullanılmalıdır.

Kapalı (tip 41) korumanın montajı (Şekil J, K, L)

- ◆ Koruyucunun (7) üzerindeki üç tırnağı, göbek üzerindeki üç yuva ile hizalayın. Bu, tırnakları şekil J'de gösterildiği gibi dişli kutusu kapağındaki yuvalarla hizalayacaktır.
- ◆ Koruma pimi, şekil K'de gösterildiği gibi dişli kutusu göbeğindeki oluğa girene kadar muhafazayı aşağı bastırın.
- ◆ Yerine kilitlemek için korumayı (7) saat yönünün tersine çevirin. Koruma gövdesi, şekil L'de gösterildiği gibi maksimum operatör koruması sağlamak için mil ve operatör arasında konumlandırılmalıdır.
- ◆ Dişli kutusu muhafazasının üzerindeki korumayı sabitlemek için koruma mandal vidasını sıkın. Korumayı elinizle döndürmemelisiniz. Taşlayıcıyı gevşek korumayla çalıştırmayın.
- ◆ Korumayı çıkarmak için koruyucu mandal vidasını gevşetin. Ardından korumayı, korumanın (7) üzerindeki üç tırnak göbeği üzerindeki üç yuva ile hizalanacak ve korumayı yukarı çekecek şekilde döndürün.

Kesme disklerinin montajı

- ◆ Dişsiz destek flanşını kaldırılmış kısmı (pilot) yukarı bakacak şekilde mil üzerine yerleştirin. Disk takıldığında,

destek flanşındaki yükseltilmiş kısım (pilot) diske karşı bakacaktır.

- ◆ Diski, kaldırılmış kısımda (pilot) ortalarak, destek flanşının üzerine yerleştirin.
- ◆ Dişli kelepçe somununu, kaldırılmış bölümü (pilot) ile birlikte diske uzak olacak şekilde takın.
- ◆ Mil kilidi düğmesine basın ve birlikte verilen ingiliz anahtarlarıyla kelepçe somununu sıkın.
- ◆ Diski çıkarmak için, mil kilidi düğmesine basın ve birlikte verilen anahtarla dişli kelepçe somununu gevşetin.

Uyarı! Taşlama/kesme disklerini taşlama uygulamaları için kullanmayın. Çünkü bu diskler, yüzey taşlama yapıldığında maruz kalınan yan basınçlar için tasarlanmamıştır. Disk kırılabilir ve yaralanmalar yaşanabilir.

- ◆ Üzerinde işlem yapılacak yüzeye dokunmadan önce taşlama makinesinin tam hıza çıkmasını bekleyin.
- ◆ Aletin yüksek hızda çalışmasına izin vererek çalışma yüzeyine asgari basınç uygulayın. Kesme hızı, aletin yüksek hızda çalışması sırasında en yüksektir.
- ◆ Kesim işlemi başladığında ve çalışma parçasında uç belirlediğinde, kesimin açısını değiştirmeyin. Açığı değiştirmek diskin bükülmesine neden olur. Bu bükülme de diskin kırılmasına yol açabilir.
- ◆ Aleti kapatmadan önce işlem yapılan yüzeyden aleti kaldırın. Aleti yere koymadan önce dönmesinin durmasını bekleyin.

Kullanım

Uyarı! Aletin kendi hızında çalışmasına izin verin. Aşırı yüklenmeyin.

- ◆ Yanlışlıkla kesilmesini önlemek için kabloyu dikkatli bir şekilde verin.
- ◆ Taşlama veya kesme diski çalışma parçasına değiştiğinde kılıcım aқыına hazır olun.
- ◆ Her zaman, koruyucunun taşlama veya kesme diskine karşı en iyi korumayı sağladığı şekilde aleti yerleştirin.

Açma ve kapama

- ◆ Aleti açmak için, açma/kapama düğmesine (1) basın.
- ◆ Aleti kapatmak için, açma/kapama düğmesini (1) serbest bırakın.

Uyarı! Yüklüyen aleti kapatmayın.

Yararlı tavsiyeler

- ◆ Bir elinizle yan kulpu, diğer elinizle de ana kulpu kavrayarak aleti sıkıca tutun.
- ◆ Taşlama sırasında disk ve çalışma parçası yüzeyi arasında her zaman yaklaşık 15° açıyı koruyun.

Bakım

Stanley Fat Max kablolu/kablosuz cihazınız/aletin en az bakımla uzun bir süre çalışacak şekilde tasarlanmıştır. Aletin uzun süre boyunca verimli bir şekilde çalışması, uygun

bakımın ve düzenli temizliğin yapılmasına bağlıdır.

Uyarı! Kablolu/kablosuz elektrikli aletlerin bakımını gerçekleştirmeden önce:

- ◆ Aleti kapatıp fişini çekin.
- ◆ Ayrı bir akü paketi varsa, aleti kapatıp aküsünü çıkartın.
- ◆ Bütünleştirilmiş türse, aküyü tamamen boşaltıp aleti kapatın.
- ◆ Şarj cihazını temizlemeden önce fişten çekin. Şarj cihazınız, düzenli temizlik dışında herhangi bir bakım gerektirmemektedir.
- ◆ Aletinizin şarj cihazındaki havalandırma deliklerini yumuşak bir fırça veya kuru bir bezle düzenli olarak temizleyin.
- ◆ Motor muhafazasını nemli bir bezle düzenli olarak temizleyin. Aşındırıcı veya çözücü madde içeren temizleyiciler kullanmayın.
- ◆ Düzenli aralıklarla mandreni açın ve hafifçe vurarak iç kısımdaki tozların dökülmesini sağlayın (takıldığında).

Elektrik fişinin değiştirilmesi (Sadece İngiltere ve İrlanda)

Yeni bir şebeke fişinin takılması gerekiyorsa:

- ◆ Eski fişi güvenli bir şekilde elden çıkartın.
- ◆ Kahverengi kabloyu yeni fişteki akım taşıyan terminale bağlayın.
- ◆ Mavi kabloyu nötr terminale bağlayın.

Uyarı! Toprak terminaline bağlantı yapılmamalıdır.

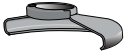
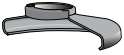
İyi kalitede fişlerle birlikte verilen bağlantı talimatlarını takip edin.






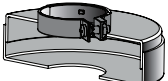


Önerilen sigorta: 13 A.








Sorun Giderme

Sorun	Olası neden	Olası çözüm
Ünite çalışmıyor.	Kablo prize takılı değil. Kablo veya düğme hasarlı.	Aleti çalışır durumda bir prize takın. Kabloyu veya düğmeyi Stanley FatMax servis merkezinde veya yetkili serviste değiştirin.)

Taşlama ve kesme aksesuarı çizelgesi

125mm Taşlama Diskleri	
	
Tip 27 koruma	Tip 27 koruma

	
Dişsiz destek flanşı	
	Tip 27 göbekli disk
	
Dişli kelepçe somunu	
125mm Zımparalama Klepesi Diskleri	
	
Tip 27 koruma	Tip 27 koruma
	
Göbekli zımparalama klepesi diskleri	Dişsiz destek flanşı
	
	Göbeksiz zımparalama klepesi disk
	
	Dişli kelepçe somunu
125mm Tip 41 Kesme Diskleri	
	
Tip 41 koruma	Tip 41 koruma
	
Destek flanşı	Destek flanşı
	
Aşındırıcı kesme disk	Elmas kesme disk
	
Kelepçe somunu	Kelepçe somunu

Tel Diskleri	
	
Tip 27 koruma	Tip 27 koruma
	
3 inç tel kapak fırçası	4 inç tel kapak fırçası
Zımpara Diskleri	
	
Kauçuk destek pedi	
	
Zımpara disk	
	
Dişli kelepçe somunu	

EN 60745'e uygun olarak titreşim toplam değerleri (triaks vektör toplamı):
Yüzey taşlama ($a_{h,SD}$) 5,4 m/s ² , belirsizlik (K) 1,5 m/s ²
Disk zımparalama ($a_{h,SD}$) 5,4 m/s ² , belirsizlik (K) 1,5 m/s ²

AT uygunluk beyanati

MAKİNE YÖNETMELİĞİ



KFFMEG220 Avuç taşlama makinesi

Stanley Europe, "teknik veriler" altında tanımlanan bu ürünlerin aşağıdakilere uygun olduğunu beyan eder:

2006/42/EC, EN 60745-1:2009 + A11:2010;

EN 60745-2-3:2011 + A2:2013 + A11:2014

+ A12:2014 + A13:2015

Bu ürünler ayrıca 2014/30/EU ve 2011/65/EU Direktifleri ile uyumludur.

Daha fazla bilgi için, lütfen aşağıdaki adresten Stanley Europe ile irtibata geçin veya kılavuzun arkasına bakın.

Bu belge altında imzası bulunan yetkili, teknik dosyanın derlenmesinden sorumludur ve bu beyanı Stanley Europe adına vermiştir.

Ray Laverick

Mühendislik Müdürü

Stanley Europe, Egide Walschaertsstraat14-18,

2800 Mechelen, Belçika

31.08.2017

Çevrenin korunması



Ayrı toplama. Bu sembole işaretlenen ürünler ve bataryalar normal evsel atıklarla birlikte atılmamalıdır.

Ürünler ve bataryalar, ham madde ihtiyacını azaltabilecek geri kazanılabilir veya geri dönüştürülebilir materyaller içerir.

Lütfen elektrikli aletleri ve bataryaları yerel hükümler doğrultusunda geri dönüşüme tabi tutun. www.2helpU.com adresinde daha fazla bilgi bulunabilir.

Teknik veriler

		KFFMEG220
Giriş voltajı	V _{AC}	230
Güç girişi	W	850
Nominal hız	dak ⁻¹	12000
Disk iç çapı	mm	22
Maks. disk kalınlığı		
Taşlama diskleri	mm	6
Kesme diskleri	mm	3,5
Mil boyutu		M14
Ağırlık	Kg	1,9

EN 60745'e göre ses basıncı düzeyi:

Ses basıncı (L_{pa}) 96 dB(A), belirsizlik (K) 3 dB(A)

Akustik güç (L_{WA}) 107 dB(A), belirsizlik (K) 3 dB(A)

Garanti

Stanley Fat Max ürün kalitesine güvenir ve tüketicilerine, satın almadan itibaren 12 aylık bir garanti sunar. Bu garanti yasal haklarınıza bir ek olup bunları hiçbir şekilde etkilemez. Garanti, Avrupa Birliği Üyesi Ülkeler ve Avrupa Serbest Ticaret Bölgesi alanlarında geçerlidir.

Garanti hakkını kazanmak için, talebin Stanley Fat Max Hüküm ve Koşulları ile uyumlu olması ve satın alma belgenizi satıcıya veya yetkili onarım temsilcisine göndermeniz gerekir. Stanley Fat Max 1 yıllık garanti hüküm ve koşulları ve size en yakın yetkili onarım temsilcisi merkezi, İnternet'ten, www.2helpU.com adresinden veya bu kılavuzda belirtilen adresteki yerel Stanley Fat Max ofisi ile temas kurularak edinilebilir.

Yeni Stanley Fat Max ürününüzü kaydettirmek, yeni ürünler ve özel teklifler hakkında sürekli güncel bilgi almak üzere www.blackanddecker.co.uk adresindeki İnternet sitemizi ziyaret edin.

België/Belgique	Stanley Fat Max E. Walschaertstraat 14-16 2800 Mechelen Belgium	De. Tel. +32 70 220 065 Fr. Tel. +32 70 220 066 Fax +32 15 473 799 www.stanleytools.eu Enduser.be@SBDinc.com
Danmark	Stanley Fat Max Farveland 1B 2600 Glostrup	Tel. 70 20 15 10 Fax 70 22 49 10 www.stanleyworks.dk
Deutschland	Stanley Fat Max Richard Klinger Str. 11, D - 65510 Idstein	Tel. 06126 21-1 Fax 06126 21-2770
Ελλάδα	Stanley Fat Max. Στράβωνος 7 & Λεωφ. Βουλιαγμένης 159 Γλυφάδα 166 74 - Αθήνα	Τηλ. +30 210 8981-616 Φαξ +30 210 8983-285 www.stanleyworks.gr
España	Stanley Fat Max. Parc de Negocis "Mas Blau" Edificio Muntadas, c/Bergadá, 1, Of. A6 08820 El Prat de Llobregat (Barcelona)	Tel. 934 797 400 Fax 934 797 419 respuesta.postventa@sbdinc.com www.stanleyworks.es
France	Stanley Fat Max 5 allée des Hêtres B.P. 30084 69579 Limonest Cédex	Tel. 04 72 20 39 20 Fax 04 72 20 39 00 www.stanleyouillage.fr
Helvetia	Stanley Fat Max In der Luberzen 40 8902 Urdorf	Tel. 01 730 67 47 Fax 01 730 70 67 www.stanleyworks.de
Italia	Stanley Fat Max EnergyPark-Building 03 sud, Via Monza 7/A 20871 Vimercate (MB)	Tel. 039-9590200 Fax 039-9590313 www.stanley.it
Nederland	Stanley Fat Max Joulehof 12, 4600 RG Bergen op Zoom	Tel. +31 164 283 065 Fax +31 164 283 200 Enduser.NL@SBDinc.com
Norge	Stanley Fat Max Postboks 4613, Nydalen 0405 Oslo	Tlf. 45 25 13 00 Fax 45 25 08 00
Österreich	Stanley Fat Max Oberlaaerstraße 248, A-1230 Wien	Tel. 01 66116-0 Fax 01 66116-614 www.stanleyworks.de
Portugal	Stanley Fat Max Centro de Escritórios de Sintra Avenida Almirante Gago Coutinho, 132/134, Edifício 142710-418 Sintra 2710-418 Lisboa	Tel. 214667500 Fax 214667575 resposta.posvenda@sbdinc.com
Suomi	Stanley Fat Max Tekniikkantie 12, 02150 Espoo	Puh. 010 400 430 Faksi 0800 411 340 www.stanleyworks.fi
Sverige	Stanley Fat Max Box 94, 431 22 Mölndal	Tel. 031-68 61 00 Fax 031-68 60 08
Türkiye	Stanley Fat Max KALE Hırdavat ve Makina A.Ş. Defterdar Mah. Savaklar Cad. No:15 Edirnekapı / Eyüp / İSTANBUL 34050	Puh. 0212 533 52 55 Faks 0212 533 10 05 www.stanleyworks.fi
United Kingdom	Stanley Fat Max 210 Bath Road Slough, Berkshire SL1 3YD	Tel. +44 (0)1753 511234 Fax +44 (0)1753 551155 www.stanleytools.co.uk
Middle East & Africa	Stanley Fat Max P.O.Box - 17164 Jebel Ali (South Zone), Dubai, UAE	Tel. +971 4 8127400 Fax +971 4 8127036 www.stanleyworks.ae