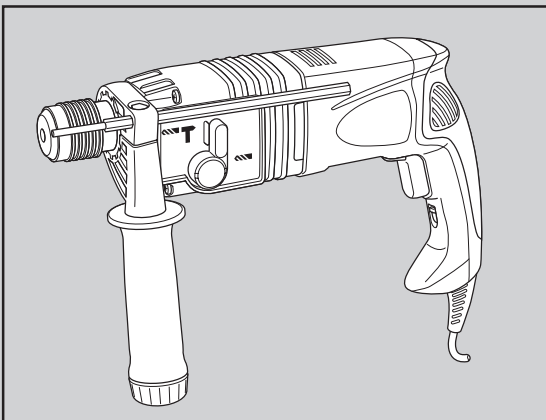
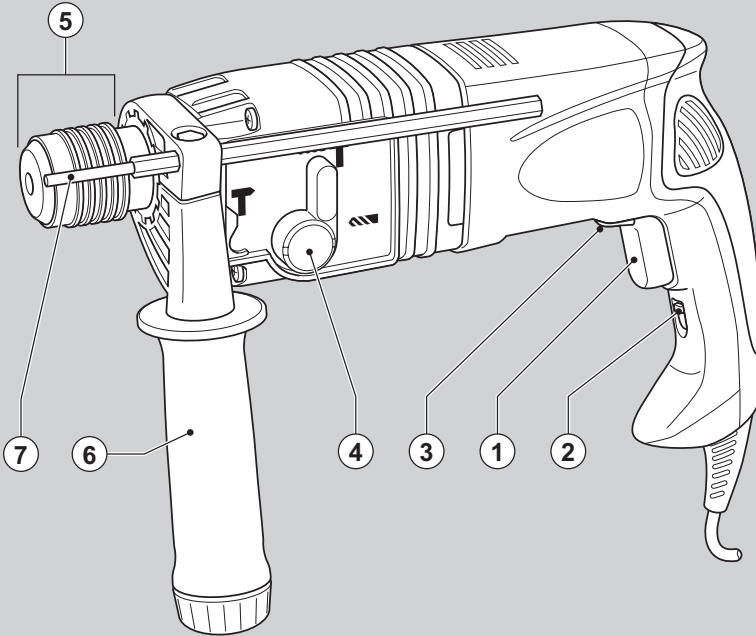


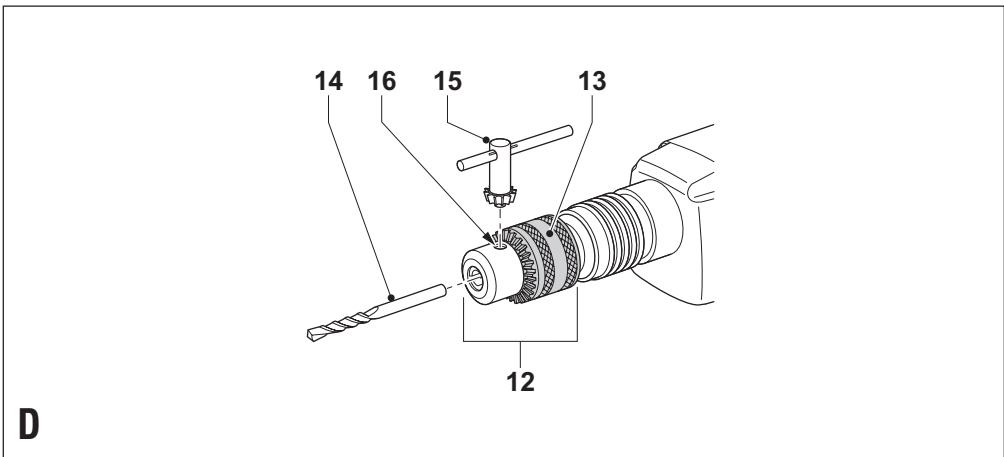
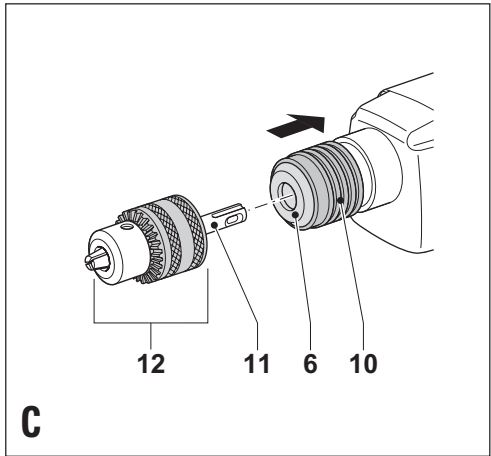
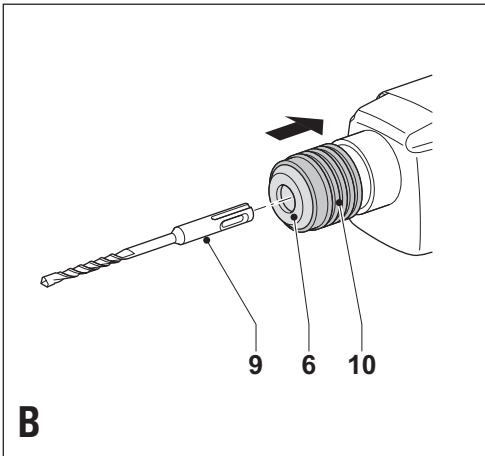
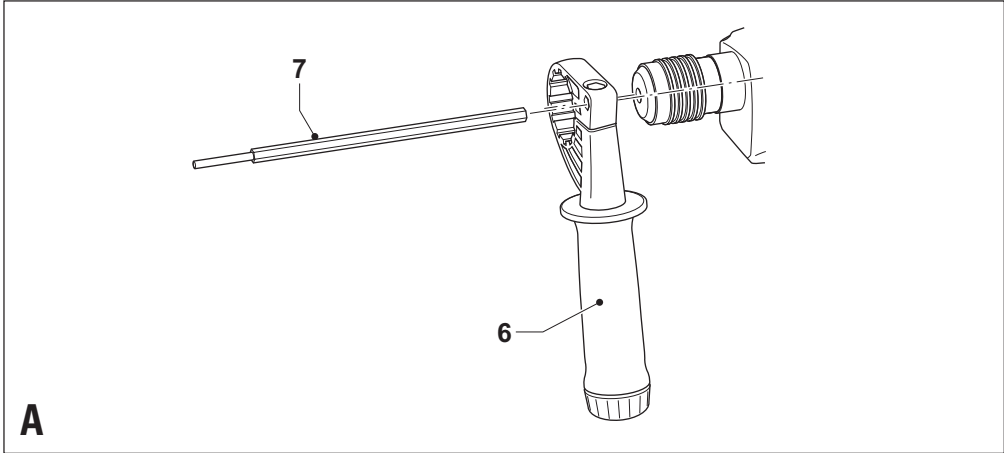


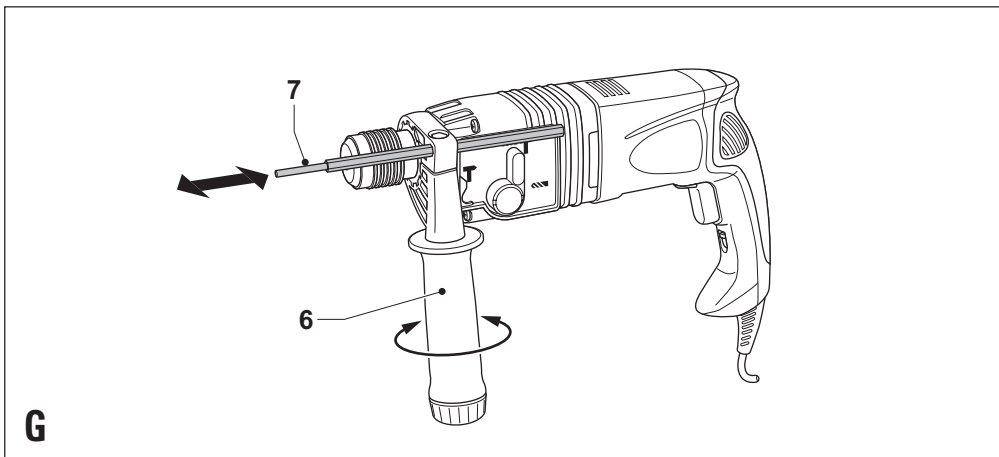
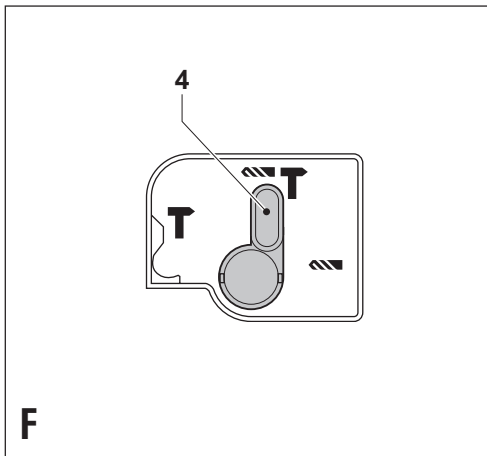
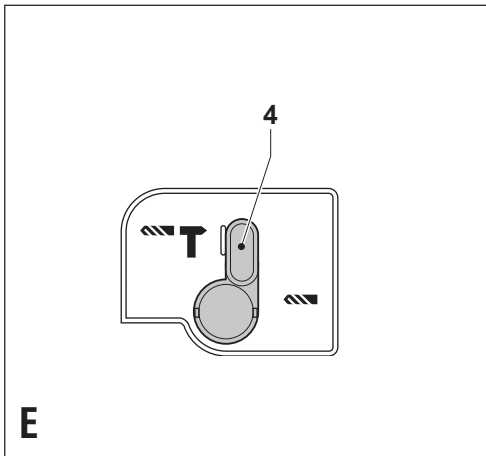
BLACK & DECKER®

www.blackanddecker.com



| | |
|------------|----|
| English | 4 |
| Deutsch | 8 |
| Français | 12 |
| Italiano | 16 |
| Nederlands | 20 |
| Español | 24 |
| Português | 28 |
| Svenska | 32 |
| Norsk | 36 |
| Dansk | 40 |
| Suomi | 44 |
| Ελληνικά | 48 |





Intended use

Your Black & Decker rotary hammer drill has been designed for drilling in wood, metal, plastics, and masonry as well as for screwdriving and light chiselling applications.

General safety rules

Warning! Read all instructions. Failure to follow all instructions listed below may result in electric shock, fire and/or serious injury. The term “power tool” in all of the warnings listed below refers to your mains operated (corded) power tool or battery operated (cordless) power tool.
SAVE THESE INSTRUCTIONS.

1. **Work area**
 - a. **Keep work area clean and well lit.** Cluttered and dark areas invite accidents.
 - b. **Do not operate power tools in explosive atmospheres, such as in the presence of flammable liquids, gases or dust.** Power tools create sparks which may ignite the dust or fumes.
 - c. **Keep children and bystanders away while operating a power tool.** Distractions can cause you to lose control.
2. **Electrical safety**
 - a. **Power tool plugs must match the outlet. Never modify the plug in any way. Do not use any adapter plugs with earthed (grounded) power tools.** Unmodified plugs and matching outlets will reduce risk of electric shock.
 - b. **Avoid body contact with earthed or grounded surfaces such as pipes, radiators, ranges and refrigerators.** There is an increased risk of electric shock if your body is earthed or grounded.
 - c. **Do not expose power tools to rain or wet conditions.** Water entering a power tool will increase the risk of electric shock.
 - d. **Do not abuse the cord. Never use the cord for carrying, pulling or unplugging the power tool. Keep cord away from heat, oil, sharp edges or moving parts.** Damaged or entangled cords increase the risk of electric shock.
 - e. **When operating a power tool outdoors, use an extension cord suitable for outdoor use.** Use of a cord suitable for outdoor use reduces the risk of electric shock.
3. **Personal safety**
 - a. **Stay alert, watch what you are doing and use common sense when operating a power tool. Do not use a power tool while you are tired or under the influence of drugs, alcohol or medication.** A moment of inattention while operating power tools may result in serious personal injury.
 - b. **Use safety equipment. Always wear eye protection.** Safety equipment such as dust mask, non-skid safety shoes, hard hat, or hearing protection used for appropriate conditions will reduce personal injuries.
 - c. **Avoid accidental starting. Ensure the switch is in the off position before plugging in.** Carrying power tools with your finger on the switch or plugging in power tools that have the switch on invites accidents.
 - d. **Remove any adjusting key or wrench before turning the power tool on.** A wrench or a key left attached to a rotating part of the power tool may result in personal injury.
 - e. **Do not overreach. Keep proper footing and balance at all times.** This enables better control of the power tool in unexpected situations.
 - f. **Dress properly. Do not wear loose clothing or jewellery. Keep your hair, clothing and gloves away from moving parts.** Loose clothes, jewellery or long hair can be caught in moving parts.
 - g. **If devices are provided for the connection of dust extraction and collection facilities, ensure these are connected and properly used.** Use of these devices can reduce dust related hazards.
4. **Power tool use and care**
 - a. **Do not force the power tool. Use the correct power tool for your application.** The correct power tool will do the job better and safer at the rate for which it was designed.
 - b. **Do not use the power tool if the switch does not turn it on and off.** Any power tool that cannot be controlled with the switch is dangerous and must be repaired.
 - c. **Disconnect the plug from the power source before making any adjustments, changing accessories, or storing power tools.** Such preventive safety measures reduce the risk of starting the power tool accidentally.
 - d. **Store idle power tools out of the reach of children and do not allow persons unfamiliar with the power tool or these instructions to operate the power tool.** Power tools are dangerous in the hands of untrained users.
 - e. **Maintain power tools. Check for misalignment or binding of moving parts, breakage of parts and any other condition that may affect the power tools operation. If damaged, have the power tool repaired before use.** Many accidents are caused by poorly maintained power tools.

- f. **Keep cutting tools sharp and clean.** Properly maintained cutting tools with sharp cutting edges are less likely to bind and are easier to control.
 - g. **Use the power tool, accessories and tool bits etc., in accordance with these instructions and in the manner intended for the particular type of power tool, taking into account the working conditions and the work to be performed.** Use of the power tool for operations different from those intended could result in a hazardous situation.
- 5. Service**
- a. **Have your power tool serviced by a qualified repair person using only identical replacement parts.** This will ensure that the safety of the power tool is maintained.

Electrical safety



This tool is double insulated; therefore no earth wire is required. Always check that the power supply corresponds to the voltage on the rating plate.

Features

This tool includes some or all of the following features.

1. Variable speed switch
2. Lock-on button
3. Forward/reverse switch
4. Drilling mode selector
5. Tool holder
6. Side handle
7. Depth stop

Assembly

Warning! Before assembly, make sure that the tool is switched off and unplugged.

Fitting the side handle and depth stop (fig. A)

- ◆ Turn the grip counterclockwise until you can slide the side handle (6) onto the front of the tool as shown.
- ◆ Rotate the side handle into the desired position.
- ◆ Insert the depth stop (7) into the mounting hole as shown.
- ◆ Set the depth stop to the desired position. The maximum drilling depth is equal to the distance between the tip of the drill bit and the front end of the depth stop.
- ◆ Tighten the side handle by turning the grip clockwise.

Fitting an SDS-plus® accessory (fig. B)

- ◆ Clean and grease the shank (9) of the accessory.
- ◆ Pull back the sleeve (10) and insert the shank into the tool holder (6).
- ◆ Push the accessory down and turn it slightly until it fits into the slots.

- ◆ Pull on the accessory to check if it is properly locked. The hammering function requires the accessory to be able to move axially several centimetres when locked in the tool holder.
- ◆ To remove the accessory, pull back the sleeve (10) and pull out the accessory.

KD970KA/KD980KA - Fitting the keyed chuck (fig. C)

- ◆ Fit the SDS-plus® shank (11) of the supplied chuck (12) into the tool holder as described above.

Warning! Never use standard chucks in the hammer drilling mode.

Fitting accessories in the keyed chuck (fig. D)

- ◆ Open the chuck by turning the sleeve (13).
- ◆ Insert the bit shaft (14) into the chuck.
- ◆ Insert the chuck key (15) into each hole (16) in the side of the chuck and turn until tight.

Use


Warning! Let the tool work at its own pace. Do not overload.

Warning! Before drilling into walls, floors or ceilings, check for the location of wiring and pipes.


KD970 - Selecting the operating mode (fig. E)

The tool can be used in two operating modes. Rotate the drilling mode selector (5) towards the required position, as indicated by the symbols.

Drilling

- ◆ For drilling in steel, wood and plastics, and for screwdriving set the operating mode selector (5) to the  position.
- ◆ When screwdriving, start at a low speed.


Hammer drilling

- ◆ For hammer drilling in masonry and concrete, set the operating mode selector (5) to the  position
- ◆ When hammering, the tool should not bounce and run smoothly. If necessary, increase the speed.

KD980 - Selecting the operating mode (fig. F)

The tool can be used in three operating modes. Rotate the drilling mode selector (5) towards the required position, as indicated by the symbols.

Drilling

- ◆ For drilling in steel, wood and plastics, and for screwdriving set the operating mode selector (5) to the  position.
- ◆ When screwdriving, start at a low speed.

Hammer drilling

- ◆ For hammer drilling in masonry and concrete, set the operating mode selector (5) to the **T** position
- ◆ When hammering, the tool should not bounce and run smoothly. If necessary, increase the speed.

Chiselling

- ◆ For chiselling with spindle lock and for light chipping, set the operating mode selector (5) to the **T** position.
- ◆ Make sure the forward/reverse switch is in the forward position.
- ◆ When changing from hammer drilling to chiselling, turn the chisel to the desired position. If resistance is felt during mode change, slightly turn the chisel to engage the spindle lock.

Selecting the direction of rotation

For drilling, for tightening screws and for chiselling, use forward (clockwise) rotation. For loosening screws or removing a jammed drill bit, use reverse (counterclockwise) rotation.

- ◆ To select forward rotation, push the forward/reverse slider (3) to the left.
- ◆ To select reverse rotation, push the forward/reverse slider to the right.

Warning! Never change the direction of rotation while the motor is running.

Setting the drilling depth (fig. G)

- ◆ Slacken the side handle (6).
- ◆ Set the depth stop (7) to the desired position. The maximum drilling depth is equal to the distance between the tip of the drill bit and the front end of the depth stop.
- ◆ Tighten the side handle (6).

Switching on and off

- ◆ To switch the tool on, press the variable speed switch (1). The tool speed depends on how far you press the switch.
- ◆ For continuous operation, press the lock-on button (2) and release the variable speed switch. This option is available only in forward (clockwise) rotation.
- ◆ To switch the tool off, release the variable speed switch. To switch the tool off when in continuous operation, press the variable speed switch once more and release it.

Accessories

The performance of your tool depends on the accessory used. Black & Decker and Piranha accessories are engineered to high quality standards and designed to enhance the performance of your tool. By using these accessories you will get the very best from your tool.

Maintenance

Your tool has been designed to operate over a long period of time with a minimum of maintenance. Continuous satisfactory operation depends upon proper tool care and regular cleaning.

- ◆ Regularly clean the ventilation slots with a clean, dry paint brush.
- ◆ To clean the tool, use only mild soap and a damp cloth. Never let any liquid get inside the tool and never immerse any part of the tool into liquid.

Mains plug replacement (U.K. & Ireland only)

If a new mains plug needs to be fitted:

- ◆ Safely dispose of the old plug.
- ◆ Connect the brown lead to the live terminal in the new plug.
- ◆ Connect the blue lead to the neutral terminal.

Warning! No connection is to be made to the earth terminal. Follow the fitting instructions supplied with good quality plugs. Recommended fuse: 5 A.

Protecting the environment



Black & Decker provides a facility for recycling Black & Decker products once they have reached the end of their working life. This service is provided free of charge. To take advantage of this service please return your product to any authorised repair agent who will collect them on our behalf.

You can check the location of your nearest authorised repair agent by contacting your local Black & Decker office at the address indicated in this manual. Alternatively, a list of authorised Black & Decker repair agents and full details of our after-sales service and contacts are available on the Internet at: www.2helpU.com

Technical data

| | | KD970 | KD980 |
|--------------------------------------|-------------------|-----------|-----------|
| Voltage | V _{AC} | 230 | 230 |
| Power input | W | 600 | 650 |
| No-load speed | min ⁻¹ | 0 - 1,000 | 0 - 1,000 |
| Load speed | min ⁻¹ | 0 - 820 | 0 - 820 |
| Impact rate | min ⁻¹ | 0 - 4,000 | 0 - 4,000 |
| Impact energy | J | 2.0 | 2.2 |
| Tool holder | | SDS-plus® | SDS-plus® |
| Max. drilling capacity | | | |
| Concrete | mm | 22 | 24 |
| Steel | mm | 13 | 13 |
| Wood | mm | 30 | 30 |
| Core drilling capacity in soft brick | mm | - | 65 |
| Chiselling | no | no | yes |
| Weight | kg | 2.3 | 2.3 |

EC declaration of conformity

KD970/KD980

Black & Decker declares that these products conform to:
98/37/EC, 89/336/EEC, EN 60745, EN 55014

L_{pA} (sound pressure) 97 dB(A), L_{WA} (acoustic power) 105 dB(A),
hand/arm weighted vibration 10 m/s^2

K_{pA} (sound pressure uncertainty): 3 dB(A),
 K_{WA} (acoustic power uncertainty) 3 dB(A)



Kevin Hewitt
Director of Consumer Engineering
Spennymoor, County Durham DL16 6JG,
United Kingdom
1-6-2004

Please visit our website www.blackanddecker.co.uk to register your new Black & Decker product and to be kept up to date on new products and special offers. Further information on the Black & Decker brand and our range of products is available at www.blackanddecker.co.uk

Guarantee

Black & Decker is confident of the quality of its products and offers an outstanding guarantee. This guarantee statement is in addition to and in no way prejudices your statutory rights. The guarantee is valid within the territories of the Member States of the European Union and the European Free Trade Area.

If a Black & Decker product becomes defective due to faulty materials, workmanship or lack of conformity, within 24 months from the date of purchase, Black & Decker guarantees to replace defective parts, repair products subjected to fair wear and tear or replace such products to ensure minimum inconvenience to the customer unless:

- ◆ The product has been used for trade, professional or hire purposes;
- ◆ The product has been subjected to misuse or neglect;
- ◆ The product has sustained damage through foreign objects, substances or accidents;
- ◆ Repairs have been attempted by persons other than authorised repair agents or Black & Decker service staff.

To claim on the guarantee, you will need to submit proof of purchase to the seller or an authorised repair agent. You can check the location of your nearest authorised repair agent by contacting your local Black & Decker office at the address indicated in this manual. Alternatively, a list of authorised Black & Decker repair agents and full details of our after-sales service and contacts are available on the Internet at:

www.2helpU.com

Bestimmungsgemäße Verwendung

Ihr Black & Decker Bohrhämmer wurde zum Bohren in Holz, Metall, Kunststoff und Mauerwerk sowie zum Schrauben und für leichte Meißeleinsätze entwickelt.

Allgemeine Sicherheitsregeln

Achtung! Sämtliche Anweisungen sind zu lesen. Die Nichteinhaltung der nachstehend aufgeführten Anweisungen kann elektrischen Schlag, Brand und/oder schwere Verletzungen verursachen. Der nachfolgend verwendete Begriff "Gerät" bezieht sich auf netzbetriebene Geräte (mit Netzkabel) und auf akkubetriebene Geräte (ohne Netzkabel).
BEWAHREN SIE DIESE ANWEISUNGEN AUF.

1. Arbeitsbereich

- a. **Halten Sie Ihren Arbeitsbereich sauber und gut ausgeleuchtet.** Unordnung und dunkle Arbeitsbereiche können zu Unfällen führen.
- b. **Arbeiten Sie mit Geräten nicht in explosionsgefährdeter Umgebung, in der sich brennbare Flüssigkeiten, Gase oder Stube befinden.** Gerate erzeugen Funken, die den Staub oder die Dampfe entzunden konnen.
- c. **Halten Sie Kinder und andere Personen wahrend der Benutzung des Gerates fern.** Bei Ablenkung konnen Sie die Kontrolle verlieren.

2. Elektrische Sicherheit

- a. **Der Anschlustecker des Gerates mu in die Steckdose passen. Der Stecker darf in keiner Weise verandert werden. Verwenden Sie keine Adapterstecker gemeinsam mit schutzgeerdeten Geraten.** Unveranderte Stecker und passende Steckdosen verringern das Risiko eines elektrischen Schlages.
- b. **Vermeiden Sie Korperkontakt mit geerdeten Oberflachen von Rohren, Heizungen, Herden und Kuhlschranken.** Es besteht ein erhohotes Risiko eines elektrischen Schlages, wenn Ihr Korper geerdet ist.
- c. **Halten Sie Gerate von Regen und Nasse fern.** Das Eindringen von Wasser in ein Gerat erhohet das Risiko eines elektrischen Schlages.
- d. **Missbrauchen Sie nicht das Kabel. Verwenden Sie das Kabel niemals zum Tragen, Ziehen oder Trennen des Gerates vom Netz. Halten Sie das Kabel fern von Hitze, Ol, scharfen Kanten oder sich bewegenden Teilen.** Beschadigte oder verwickelte Kabel erhohen das Risiko eines elektrischen Schlages.
- e. **Wenn Sie mit einem Gerat im Freien arbeiten, verwenden Sie nur Verlangerungskabel, die auch fur den Auenbereich zugelassen sind.** Die Verwendung eines fur den Auenbereich geeigneten Verlangerungskabels verringert das Risiko eines elektrischen Schlages.

3. Sicherheit von Personen

- a. **Seien Sie aufmerksam, achten Sie darauf, was Sie tun, und gehen Sie vernunftig mit einem Gerat um. Benutzen Sie das Gerat nicht, wenn Sie mude sind oder unter dem Einflu von Drogen, Alkohol oder Medikamenten stehen.** Ein Moment der Unachtsamkeit beim Gebrauch von Geraten kann zu ernsthaften Verletzungen fuhren.
- b. **Verwenden Sie Schutzausrustung. Tragen Sie stets einen Augenschutz.** Schutzausrustung wie Staubmaske, rutschfeste Sicherheitsschuhe, Schutzhelm oder Gehorschutz, je nach Art und Einsatz des Gerates, verringert das Risiko von Verletzungen.
- c. **Vermeiden Sie eine unbeabsichtigte Inbetriebnahme. Stellen Sie sicher, da sich der Schalter in der Aus-Stellung befindet, bevor das Gerat mit dem Netz verbunden wird.** Durch das Tragen des Gerates mit dem Finger am Schalter oder durch das Verbinden eingeschalteter Gerate werden Unfalle provoziert.
- d. **Entfernen Sie EinstellGerate oder Schraubenschlussel, bevor Sie das Gerat einschalten.** Ein Gerat oder Schlussel, der sich in einem drehenden Teil befindet, kann zu Verletzungen fuhren.
- e. **Nicht zu weit nach vorne strecken! Achten Sie auf einen sicheren Stand, um in jeder Arbeitsposition das Gleichgewicht zu halten.** Dadurch konnen Sie das Gerat in unerwarteten Situationen besser unter Kontrolle halten.
- f. **Tragen Sie geeignete Kleidung. Tragen Sie keine weite Kleidung oder Schmuck. Halten Sie Haare, Kleidung und Handschuhe fern von sich bewegenden Teilen.** Lockere Kleidung, Schmuck oder lange Haare konnen von sich bewegenden Teilen erfat werden.
- g. **Falls Staubabsaug- und -fangvorrichtungen vorhanden sind, vergewissern Sie sich, da diese angeschlossen sind und richtig verwendet werden.** Das Verwenden dieser Einrichtungen verringert Gefahrdungen durch Staub.

4. Gebrauch und Pflege von Geraten

- a. **Überlasten Sie das Gerat nicht. Verwenden Sie fur Ihre Arbeit das dafur bestimmte Gerat.** Mit dem passenden Gerat arbeiten Sie besser und sicherer im angegebenen Leistungsbereich.
- b. **Benutzen Sie kein Gerat, dessen Schalter defekt ist.** Ein Gerat, das sich nicht mehr ein- oder ausschalten lasst, ist gefahrlich und mu repariert werden.
- c. **Ziehen Sie den Stecker aus der Steckdose, bevor Sie Einstellungen vornehmen, Zubehorteile wechseln oder das Gerat weglegen.** Diese Vorsichtsmanahme verhindert den unbeabsichtigten Start des Gerates.

- d. **Bewahren Sie unbenutzte Geräte außerhalb der Reichweite von Kindern auf. Lassen Sie Geräte nicht von Personen benutzen, die damit nicht vertraut sind oder diese Anweisungen nicht gelesen haben.** Geräte sind gefährlich, wenn Sie von unerfahrenen Personen benutzt werden.
- e. **Halten Sie Geräte in einem einwandfreien Zustand. Kontrollieren Sie, ob bewegliche Teile falsch ausgerichtet sind oder klemmen und ob Teile gebrochen oder so beschädigt sind, daß die Funktion des Gerätes beeinträchtigt ist. Lassen Sie beschädigte Geräte vor dem Gebrauch reparieren.** Viele Unfälle haben ihre Ursache in schlecht gewarteten Geräten.
- f. **Halten Sie Schneidgeräte scharf und sauber.** Sorgfältig gepflegte Schneidgeräte mit scharfen Schneidkanten verklemmen sich weniger und sind leichter zu führen.
- g. **Verwenden Sie Gerät, Zubehör, Einsatz-Bits, usw. entsprechend diesen Anweisungen und so, wie es für diesen speziellen Gerätetyp vorgeschrieben ist. Berücksichtigen Sie dabei die Arbeitsbedingungen und die auszuführende Arbeit.** Der Gebrauch von Geräten für andere als die vorgesehenen Anwendungen kann zu gefährlichen Situationen führen.
5. **Service**
- a. **Lassen Sie Ihr Gerät nur von qualifiziertem Fachpersonal und nur mit Original-Ersatzteilen reparieren.** Damit wird gewährleistet, daß die Sicherheit des Gerätes erhalten bleibt.

Elektrische Sicherheit:



Dieses Gerät ist schutzisoliert, daher ist keine Erdleitung erforderlich. Überprüfen Sie stets, ob die Netzspannung der auf dem Typenschild angegebenen Spannung entspricht.

Merkmale

Dieses Gerät weist einige oder alle der folgenden Merkmale auf.

1. Drehzahl-Regelschalter
2. Ausschaltperre
3. Rechts-/Linkslauf-Umschalter
4. Betriebsartenschalter
5. Werkzeugaufnahme
6. Seitenhandgriff
7. Tiefenanschlag

Montage

Achtung! Vergewissern Sie sich vor der Montage, daß das Gerät ausgeschaltet ist und daß der Netzstecker gezogen wurde.

Anbringen des Seitenhandgriffs und des Tiefenanschlags (Abb. A)

- ◆ Drehen Sie den Griff gegen den Uhrzeigersinn, bis der Seitenhandgriff (6) wie angegeben vorne auf das Gerät geschoben werden kann.
- ◆ Drehen Sie den Seitenhandgriff in die gewünschte Stellung.
- ◆ Setzen Sie den Tiefenanschlag (7) wie angegeben in die Befestigungsöffnung ein.
- ◆ Stellen Sie den Tiefenanschlag auf die gewünschte Position ein.
Die maximale Bohrtiefe ist der Abstand zwischen der Spitze des Bohrers und dem vorderen Ende des Tiefenanschlags.
- ◆ Ziehen Sie den Seitenhandgriff an, indem Sie ihn im Uhrzeigersinn drehen.

Anbringen eines SDS-plus® Zubehöerteils (Abb. B)

- ◆ Reinigen und fetten Sie gegebenenfalls den Schaft (9).
- ◆ Ziehen Sie den Spanning (10) zurück und setzen Sie den Schaft in die Werkzeugaufnahme (6).
- ◆ Drücken Sie das Zubehör bis zum Anschlag hinein und drehen Sie es, bis es in den Schlitzen sitzt.
- ◆ Ziehen Sie am Zubehör, um sich zu vergewissern, daß es richtig gesichert ist. Für die Hammerfunktion ist es erforderlich, daß sich das im Werkzeughalter eingespannte Zubehör einige Zentimeter in axialer Richtung bewegen kann.
- ◆ Um das Zubehör zu entfernen, ziehen Sie den Spanning (10) zurück und ziehen Sie das Zubehör heraus.

KD970KA/KD980KA – Anbringen des Schlüssel-Bohrfutters (Abb. C)

- ◆ Bringen Sie den SDS-plus® Schaft (11) des mitgelieferten Bohrers (12) wie oben beschrieben im Werkzeughalter an.

Achtung! Verwenden Sie zum Schlagbohren nie handelsübliche Bohrfutter.

Anbringen von Zubehör im Schlüssel-Bohrfutter (Abb. D)

- ◆ Öffnen Sie das Bohrfutter durch Drehen des Spannrings (13).
- ◆ Stecken Sie den Werkzeugschaft (14) in das Bohrfutter.
- ◆ Stecken Sie den Bohrfutterschlüssel (15) in eines der seitlichen Löcher (16) des Bohrers und drehen Sie es fest.

Gebrauch


Achtung! Beschleunigen Sie den Arbeitsvorgang nicht mit Gewalt. Vermeiden Sie eine Überlastung des Gerätes.

Achtung! Informieren Sie sich vor dem Bohren in Wände, Böden und Decken über den genauen Verlauf von Leitungen und Rohren.


KD970 – Wahl der Betriebsart (Abb. E)

Dieses Werkzeug lässt sich in zwei Betriebsarten benutzen: Drehen Sie den Betriebsartenschalter (5) in die gewünschte und durch die Pfeile angegebene Stellung.

Bohren

- ◆ Um in Stahl, Holz oder Kunststoff zu bohren sowie zum Schrauben stellen Sie den Betriebsartenschalter (5) in die Position .
- ◆ Beim Schrauben beginnen Sie mit einer langsamen Drehzahl.


Schlagbohren

- ◆ Um Schlagbohrarbeiten in Mauerwerk und Beton durchzuführen, stellen Sie den Betriebsartenschalter (5) in die Position .
- ◆ Im Hammerbetrieb sollte das Werkzeug nicht federn sondern ruhig laufen. Erhöhen Sie gegebenenfalls die Drehzahl.


KD980 – Wahl der Betriebsart (Abb. F)

Dieses Werkzeug lässt sich in drei Betriebsarten benutzen: Drehen Sie den Betriebsartenschalter (5) in die gewünschte und durch die Pfeile angegebene Stellung.


Bohren

- ◆ Um in Stahl, Holz oder Kunststoff zu bohren sowie zum Schrauben stellen Sie den Betriebsartenschalter (5) in die Position .
- ◆ Beim Schrauben beginnen Sie mit einer langsamen Drehzahl.

Schlagbohren

- ◆ Um Schlagbohrarbeiten in Mauerwerk und Beton durchzuführen, stellen Sie den Betriebsartenschalter (5) in die Position .
- ◆ Im Hammerbetrieb sollte das Werkzeug nicht federn sondern ruhig laufen. Erhöhen Sie gegebenenfalls die Drehzahl.

Meißeln

- ◆ Beim Meißelbetrieb mit Spindelarretierung sowie bei leichten Meißelarbeiten stellen Sie den Betriebsartenschalter (5) auf die Position .
- ◆ Vergewissern Sie sich, daß der Rechts-/Linkslauf-Umschalter auf Rechtslauf steht.
- ◆ Beim Wechsel von Schlagbohren auf Meißeln drehen Sie den Meißel in die gewünschte Position. Wird während des Betriebsart-Wechsels ein Widerstand gespürt, drehen Sie den Meißel etwas, damit die Spindelarretierung einrastet.

Wahl der Laufrichtung

Zum Bohren, zum Anziehen von Schrauben sowie zum Meißeln verwenden Sie den Rechtslauf (im Uhrzeigersinn). Zum Lösen von Schrauben sowie zum Lösen eines festsitzenden Bohrers verwenden Sie den Linkslauf (gegen den Uhrzeigersinn).

- ◆ Für Rechtslauf schieben Sie den Linkslauf-/Rechtslauf-Umschalter (3) nach links.
- ◆ Für Linkslauf schieben Sie den Linkslauf-/Rechtslauf-Umschalter nach rechts.

Achtung! Ändern Sie niemals die Laufrichtung, während der Motor läuft.

Einstellen der Bohrtiefe (Abb. G)

- ◆ Lösen Sie den Zusatzhandgriff (6).
- ◆ Stellen Sie den Tiefenanschlag (7) auf die gewünschte Position ein. Die maximale Bohrtiefe ist der Abstand zwischen der Spitze des Bohrers und dem vorderen Ende des Tiefenanschlags.
- ◆ Ziehen Sie den Zusatzhandgriff (6) an.

Ein- und Ausschalten

- ◆ Um das Gerät einzuschalten, drücken Sie auf den Drehzahl-Regelschalter (1). Je tiefer Sie den Schalter drücken, um so höher ist die Drehzahl des Geräts.
- ◆ Drücken Sie für Dauerbetrieb die Ausschaltsperr (2). Sie können nun den Drehzahl-Regelschalter loslassen. Diese Möglichkeit besteht nur beim Rechtslauf (im Uhrzeigersinn).
- ◆ Um das Gerät auszuschalten, lassen Sie den Geschwindigkeitsregelschalter los. Ausschalten im Dauerbetrieb: drücken Sie den Drehzahl-Regelschalter erneut, und lassen Sie ihn wieder los.

Zubehör

Die Leistung Ihres Geräts hängt vom verwendeten Zubehör ab. Black & Decker und Piranha Zubehör ist nach hohen Qualitätsnormen gefertigt und dafür ausgelegt, die Leistung Ihres Geräts zu steigern. Durch Verwendung dieses Zubehörs erzielen Sie die größtmögliche Leistung Ihres Geräts.

Wartung

Ihr Gerät wurde im Hinblick auf eine lange Lebensdauer und einen möglichst geringen Wartungsaufwand entwickelt. Ein dauerhafter, einwandfreier Betrieb setzt eine regelmäßige Pflege und Reinigung voraus.

- ◆ Reinigen Sie die Lüftungsschlitze regelmäßig mit einem sauberen, trockenen Farbpinsel.
- ◆ Verwenden Sie zur Reinigung des Geräts nur milde Seifenlösung und ein feuchtes Tuch. Lassen Sie niemals Flüssigkeiten in das Gerät gelangen und tauchen Sie niemals Teile des Geräts in Flüssigkeit ein.

Umweltschutz



Black & Decker nimmt Ihre ausgedienten Black & Decker Geräte gern zurück und sorgt für eine umweltfreundliche Entsorgung. Diese Dienstleistung ist für Sie kostenlos. Um diese Dienstleistung in Anspruch zu nehmen, geben Sie das Gerät bitte bei einer autorisierten Reparaturwerkstatt ab, die für uns die Einsammlung übernimmt.

Die Adresse des zuständigen Büros von Black & Decker finden Sie in dieser Anleitung, darüber läßt sich die nächstgelegene Vertragswerkstatt ermitteln. Außerdem ist eine Liste der Vertragswerkstätten und aller Kundendienststellen von Black & Decker sowie der zuständigen Ansprechpartner im Internet zu finden unter: www.2helpU.com

Technische Daten

| | | KD970 | KD980 |
|---|-------------------|-----------|-----------|
| Spannung | V _{AC} | 230 | 230 |
| Leistungsaufnahme | W | 600 | 650 |
| Leerlaufdrehzahl | min ⁻¹ | 0 - 1.000 | 0 - 1.000 |
| Lastdrehzahl | min ⁻¹ | 0 - 820 | 0 - 820 |
| Schlaggeschwindigkeit | min ⁻¹ | 0 - 4.000 | 0 - 4.000 |
| Schlagenergie | J | 2,0 | 2,2 |
| Werkzeugaufnahme | | SDS-plus® | SDS-plus® |
| Max. Bohrkapazität | | | |
| Beton | mm | 22 | 24 |
| Stahl | mm | 13 | 13 |
| Holz | mm | 30 | 30 |
| Bohrleistung mit Bohrkronen in Mauerwerk | mm | - | 65 |
| Meißeln | | nein | ja |
| Gewicht | kg | 2,3 | 2,3 |

EG-Konformitätserklärung

KD970/KD980

Black & Decker erklärt, daß diese Produkte folgende Konformität erfüllen:
98/37/EWG, 89/336/EWG, EN 60745, EN 55014

L_{PA} (Schalldruck) 97 dB(A), L_{WA} (Schalleistung) 105 dB(A),
gewichtete Hand-/Armvibrationen 10 m/s²

K_{PA} (Schalldruck-Unsicherheitsfaktor): 3 dB(A),

K_{WA} (Schalleistungs-Unsicherheitsfaktor) 3 dB(A)

Kevin Hewitt
Director of Consumer Engineering
Spennymoor, County Durham DL16 6JG,
Vereinigtes Königreich
1-6-2004

Garantie

Black & Decker vertraut auf die Qualität der eigenen Geräte und bietet dem Käufer eine außergewöhnliche Garantie. Diese Garantiezusage versteht sich unbeschadet der gesetzlichen Gewährleistungsansprüche und schränkt diese keinesfalls ein. Sie gilt in sämtlichen Mitgliedsstaaten der Europäischen Union und der Europäischen Freihandelszone EFTA.

Tritt innerhalb von 24 Monaten ab Kaufdatum an einem Gerät von Black & Decker ein auf Material- oder Verarbeitungsfehler zurückzuführender Mangel auf, garantiert Black & Decker den Austausch defekter Teile, die Reparatur von Geräten mit üblichem Verschleiß bzw. den Austausch eines mangelhaften Geräts, ohne den Kunden dabei mehr als unbedingt nötig in Anspruch zu nehmen, allerdings vorbehaltlich folgender Ausnahmen:

- ◆ wenn das Gerät gewerblich, beruflich oder im Verleihgeschäft benutzt wurde;
- ◆ wenn das Gerät mißbräuchlich verwendet oder mit mangelnder Sorgfalt behandelt wurde;
- ◆ wenn das Gerät durch irgendwelche Fremdeinwirkung beschädigt wurde;
- ◆ wenn ein unbefugter Reparaturversuch durch anderes Personal als das einer Vertragswerkstatt oder des Black & Decker-Kundendienstes unternommen wurde.

Zur Inanspruchnahme dieser Garantie ist dem Verkäufer bzw. der Vertragswerkstatt ein Kaufnachweis vorzulegen. Der Kaufnachweis muß Kaufdatum und Gerätetyp bescheinigen. Die Adresse des zuständigen Büros von Black & Decker steht in dieser Anleitung, darüber läßt sich die nächstgelegene Vertragswerkstatt ermitteln. Außerdem ist eine Liste der Vertragswerkstätten und aller Kundendienststellen von Black & Decker sowie der zuständigen Ansprechpartner im Internet zu finden unter: www.2helpU.com

Bitte besuchen Sie unsere Webseite www.blackanddecker.de, um Ihr neues Black & Decker Produkt zu registrieren und über neue Produkte und Sonderangebote aktuell informiert zu werden. Weitere Informationen über die Marke Black & Decker und unsere Produkte finden Sie unter www.blackanddecker.de

Utilisation prévue

Votre perceuse à percussion rotative Black & Decker a été conçue pour percer le bois, le métal, le plastique et la maçonnerie pour fonctionner comme visseuse-dévisseuse et pour des travaux de burinage légers.

Consignes générales de sécurité

Attention ! Lisez toutes les instructions. Le non-respect des instructions indiquées ci-dessous peut entraîner une électrocution, un incendie ou de graves blessures. La notion d'« outil électroportatif » mentionnée par la suite se rapporte à des outils électriques raccordés au secteur (avec câble de raccordement) ou fonctionnant sur batteries (sans fil).
GARDEZ PRÉCIEUSEMENT CES CONSIGNES DE SECURITE.

1. Zone de travail

a. Maintenez la zone de travail propre et bien éclairée.

Un lieu de travail en désordre ou mal éclairé augmente le risque d'accidents.

b. N'utilisez pas les outils électroportatifs dans un environnement présentant des risques d'explosion ni en présence de liquides, gaz ou poussières inflammables.

Les outils électroportatifs génèrent des étincelles risquant d'enflammer les poussières ou les vapeurs.

c. Tenez les enfants et autres personnes éloignés durant l'utilisation de l'outil électroportatif.

En cas d'inattention, vous risquez de perdre le contrôle sur l'outil.

2. Sécurité électrique

a. La fiche de secteur de l'outil électroportatif doit convenir à la prise de courant. Ne modifiez en aucun cas la fiche. N'utilisez pas de fiches d'adaptateur avec des outils ayant une prise de terre.

Les fiches non modifiées et les prises de courant appropriées réduisent le risque d'électrocution.

b. Évitez le contact physique avec des surfaces mises à la terre telles que tuyaux, radiateurs, fours et réfrigérateurs.

Il y a un risque élevé d'électrocution si votre corps est relié à la terre.

c. N'exposez pas l'outil électroportatif à la pluie ni à l'humidité.

La pénétration d'eau dans un outil électroportatif augmente le risque d'électrocution.

d. Préservez le câble d'alimentation. N'utilisez pas le câble à d'autres fins que celles prévues, notamment pour porter l'outil, l'accrocher voire le débrancher de la prise de courant. Maintenez le câble éloigné des sources de chaleur, des parties grasses, des bords tranchants ou des parties de l'outil en rotation.

Un câble endommagé ou enchevêtré augmente le risque d'électrocution.

e. Si vous utilisez l'outil électroportatif à l'extérieur, utilisez une rallonge homologuée pour utilisation à l'air libre.

L'utilisation d'une rallonge électrique homologuée pour les applications extérieures réduit le risque d'électrocution.

3. Sécurité personnelle

a. Restez vigilant, surveillez ce que vous faites. Faites preuve de bon sens quand vous utilisez l'outil électroportatif. N'utilisez pas l'outil lorsque vous êtes fatigué ou après avoir consommé de l'alcool, des drogues ou avoir pris des médicaments.

Un moment d'inattention lors de l'utilisation de l'outil peut entraîner de graves blessures.

b. Portez des équipements de protection. Portez toujours des lunettes de protection.

Le port d'équipements de protection personnelle tels que masque anti-poussières, chaussures de sécurité antidérapantes, casque ou protection auditive, selon le travail à effectuer, réduit le risque de blessures.

c. Évitez une mise en route accidentelle. Avant de brancher l'outil, vérifiez que l'interrupteur est sur la position arrêt.

Le transport ou le branchement d'outils électroportatifs avec l'interrupteur en position marche est une invite à l'accident.

d. Enlevez tout outil ou clé de réglage avant de mettre l'outil en marche.

Une clé ou un outil se trouvant sur une partie en rotation peut causer des blessures.

e. Ne surestimez pas vos capacités. Conservez en permanence votre équilibre et les deux pieds à terre.

Vous contrôlerez mieux l'outil dans des situations inattendues.

f. Portez des vêtements appropriés. Ne portez pas de vêtements amples ni de bijoux. N'approchez pas les cheveux, vêtements ou gants des parties de l'outil en rotation.

Les vêtements amples, les bijoux ou les cheveux longs peuvent être attrapés dans les pièces en mouvement.

g. Si des dispositifs servant à aspirer ou à recueillir les poussières doivent être utilisés, vérifiez qu'ils sont correctement raccordés et utilisés.

L'utilisation de tels dispositifs réduit les dangers dus aux poussières.

4. Utilisation des outils électroportatifs et précautions

a. Ne surchargez pas l'outil. Utilisez l'outil électroportatif approprié pour le travail à effectuer.

Avec l'outil électroportatif approprié, vous travaillerez mieux et avec plus de sécurité à la vitesse pour laquelle il a été conçu.

b. N'utilisez pas un outil électroportatif dont l'interrupteur est défectueux.

Un outil électroportatif qui ne peut plus être mis en ou hors fonctionnement est dangereux et doit être réparé.

- c. **Retirez la fiche de la prise de courant avant d'effectuer des réglages sur l'outil, de changer les accessoires ou de ranger l'outil.** Cette mesure de précaution empêche une mise en marche par mégarde.
- d. **Rangez les outils électroportatifs hors de portée des enfants. Ne laissez pas les personnes n'étant pas familiarisées avec l'outil ou n'ayant pas lu ces instructions l'utiliser.** Les outils électroportatifs sont dangereux lorsqu'ils sont utilisés par des personnes non initiées.
- e. **Prenez soin des outils électroportatifs. Vérifiez que les parties en mouvement fonctionnent correctement et qu'elles ne sont pas coincées ; vérifiez qu'il n'y a pas de pièces cassées ou endommagées susceptibles de nuire au bon fonctionnement de l'outil. S'il est endommagé, faites réparer l'outil avant de l'utiliser.** De nombreux accidents sont dus à des outils électroportatifs mal entretenus.
- f. **Maintenez les outils de coupe aiguisés et propres.** Des outils soigneusement entretenus avec des bords tranchants bien aiguisés se coincent moins souvent et peuvent être guidés plus facilement.
- g. **Utilisez les outils électroportatifs, les accessoires, les outils à monter etc. conformément à ces instructions et aux prescriptions en vigueur pour ce type d'outils. Tenez compte également des conditions de travail et du travail à effectuer.** L'utilisation des outils électroportatifs à d'autres fins que celles prévues peut entraîner des situations dangereuses.
5. **Réparations**
- a. **Faites réparer votre outil électroportatif uniquement par du personnel qualifié et seulement avec des pièces de rechange d'origine.** Cela garantira le maintien de la sécurité de votre outil.

Sécurité électrique



L'outil est doublement isolé; par conséquent, une prise de terre n'est pas nécessaire. Vérifiez si la tension secteur correspond à la tension indiquée sur la plaque d'identification.

Caractéristiques

Cet outil comprend toutes ou certaines des caractéristiques suivantes.

1. Interrupteur à variateur de vitesse
2. Bouton de verrouillage
3. Interrupteur de rotation droite / gauche
4. Sélecteur de mode de perçage
5. Support d'outils
6. Poignée latérale
7. Butée de profondeur

Assemblage

Attention ! Avant l'assemblage, assurez-vous que l'outil est éteint et débranché.

Comment ajuster la poignée latérale et la butée de profondeur (fig. A)

- ◆ Faites tourner la poignée dans le sens inverse des aiguilles d'une montre jusqu'à ce que vous puissiez faire glisser la poignée latérale (6) sur le devant de l'outil comme indiqué.
- ◆ Faites tourner la poignée latérale dans la position souhaitée.
- ◆ Insérez la butée de profondeur (7) dans le trou de montage comme indiqué.
- ◆ Fixez la butée de profondeur dans la position souhaitée. La profondeur de perçage maximale est égale à la distance entre l'extrémité du foret et l'extrémité avant de la butée de profondeur.
- ◆ Serrez la poignée latérale en la faisant tourner dans le sens des aiguilles d'une montre.

Montage d'un accessoire SDS-plus® (fig. B)

- ◆ Nettoyez et graissez la tige (9) de l'accessoire.
- ◆ Tirez sur le manchon vers l'arrière (10) et insérez la tige dans le support d'outil (6).
- ◆ Enfoncez l'accessoire et faites-le tourner légèrement jusqu'à ce qu'il soit bien en place dans les encoches.
- ◆ Tirez sur l'accessoire pour vérifier qu'il est bien bloqué. Pour pouvoir utiliser la fonction de percussion, il faut que l'accessoire soit capable de se déplacer sur le côté de plusieurs centimètres lorsqu'il est fixé dans le support d'outil.
- ◆ Pour enlever l'accessoire, tirez sur le manchon (10) et tirez sur l'accessoire.

KD970KA/KD980KA – Mise en place du mandrin à clef (fig. C)

- ◆ Fixez la tige SDS-plus® (11) du mandrin fourni (12) dans le support d'outils comme indiqué ci-dessus.

Attention ! Ne jamais de mandrins standards en mode de perçage à percussion.

Mise en place d'accessoires dans le mandrin à clef (fig. D)

- ◆ Ouvrez le mandrin en faisant tourner le manchon (13).
- ◆ Insérez la tige de l'accessoire (14) dans le mandrin.
- ◆ Insérez la clé du mandrin (15) dans chaque orifice (16) du côté du mandrin et faites-la tourner jusqu'à ce que l'ensemble soit bien serré.

Utilisation

Attention ! Laissez l'outil fonctionner à sa propre vitesse. Ne le surchargez pas.


Attention ! Avant de percer les murs, les planchers ou les plafonds, vérifiez l'emplacement des fils électriques et des tuyaux.

KD970 – Sélection du mode de fonctionnement (fig. E)


Cet outil peut être utilisé en deux modes de fonctionnement.

Faites tourner le sélecteur du mode de perçage (5) vers la position souhaitée, comme indiqué par les symboles.

Perçage

- ◆ Pour le perçage dans l'acier, le bois et le plastique, et pour le vissage, fixez le sélecteur de mode de fonctionnement (5) en position .
- ◆ Lorsque vous vissez, commencez à vitesse réduite.

Perçage à percussion


- ◆ Pour le perçage dans la maçonnerie et le béton, fixez le sélecteur de mode de fonctionnement (5) en position .
- ◆ Lorsque vous percez à percussion, l'outil ne doit pas avoir de rebonds et doit fonctionner sans à-coups. Au besoin augmentez la vitesse.

KD980 – Sélection du mode de fonctionnement (fig. F)


Cet outil peut être utilisé en trois modes de fonctionnement.

Faites tourner le sélecteur du mode de perçage (5) vers la position souhaitée, comme indiqué par les symboles.


Perçage

- ◆ Pour le perçage dans l'acier, le bois et le plastique, et pour le vissage, fixez le sélecteur de mode de fonctionnement (5) en position .
- ◆ Lorsque vous vissez, commencez à vitesse réduite.

Perçage à percussion

- ◆ Pour le perçage dans la maçonnerie et le béton, fixez le sélecteur de mode de fonctionnement (5) en position .
- ◆ Lorsque vous percez à percussion, l'outil ne doit pas avoir de rebonds et doit fonctionner sans à-coups. Au besoin augmentez la vitesse.

Burinage

- ◆ Pour le burinage à percussion avec verrouillage de l'arbre et pour le burinage et fixez le sélecteur de mode de fonctionnement (5) en position .
- ◆ Vérifiez que le bouton avant/arrière est sur la position avant.
- ◆ Lorsque vous passez du mode de perçage au mode de burinage, faites tourner le burin dans la position souhaitée.

Si vous sentez une résistance lorsque vous changez de mode, faites légèrement tourner le burin pour engager l'arbre.

Sélection du sens de rotation

Pour le perçage, le serrage des vis et le burinage, utilisez la rotation vers l'avant (dans le sens des aiguilles d'une montre). Pour desserrer les vis ou enlever un foret de perçage coincé, utilisez la rotation vers l'arrière (dans le sens inverse des aiguilles d'une montre).

- ◆ Pour sélectionner la rotation vers l'avant, poussez le sélecteur de rotation droite / gauche (3) vers la gauche.
- ◆ Pour sélectionner la rotation vers l'arrière, poussez le sélecteur de rotation droite / gauche vers la droite.

Attention ! Ne changez jamais le sens de rotation lorsque le moteur est en marche.

Réglage de la profondeur de coupe (fig. G)

- ◆ Deserrez la poignée latérale (6).
- ◆ Fixez la butée de profondeur (7) dans la position souhaitée. La profondeur de perçage maximale est égale à la distance entre l'extrémité du foret et l'extrémité avant de la butée de profondeur.
- ◆ Serrez la poignée latérale (6).

Mise en marche et arrêt

- ◆ Pour allumer l'outil, appuyez sur l'interrupteur de vitesse variable (1). La vitesse de l'outil dépend de la force que vous exercez sur l'interrupteur.
- ◆ Pour un fonctionnement en continu, appuyez sur le bouton de verrouillage (2) et relâchez l'interrupteur de vitesse variable. Cette option n'est disponible qu'en rotation vers l'avant (dans le sens des aiguilles d'une montre).
- ◆ Pour éteindre l'outil, relâchez le sélecteur de vitesse. Pour éteindre l'outil lorsqu'il est en fonctionnement continu, appuyez sur l'interrupteur de vitesse variable une fois de plus et relâchez-le.

Accessoires

Les performances de votre outil dépendent de l'accessoire que vous utilisez. Les accessoires Black & Decker et Piranha sont conçus selon les normes de haute qualité pour améliorer les performances de votre outil. En utilisant ces accessoires, vous obtiendrez les meilleurs résultats de votre outil.

Entretien

Votre outil a été conçu pour fonctionner pendant longtemps avec un minimum d'entretien. Un fonctionnement continu satisfaisant dépend d'un nettoyage régulier et d'un entretien approprié de l'outil.

- ◆ Nettoyez régulièrement les fentes de ventilation à l'aide d'un pinceau propre et sec.
- ◆ Pour nettoyer l'outil, utilisez uniquement un détergent doux et un chiffon humide. Aucun liquide ne doit pénétrer dans l'outil. N'immergez jamais aucune pièce de l'outil dans un liquide.



Kevin Hewitt
 Directeur Ingénierie Client
 Spennymoor, County Durham DL16 6JG,
 Royaume Uni
 1-6-2004

Protection de l'environnement



Black & Decker fournit un dispositif permettant de recycler les produits Black & Decker lorsqu'ils ont atteint la fin de leur cycle de vie. Ce service est gratuit. Pour pouvoir profiter de ce service, veuillez retourner votre produit à un réparateur agréé qui se chargera de le collecter pour nous.

Pour connaître l'adresse du réparateur agréé le plus proche de chez vous, contactez le bureau Black & Decker à l'adresse indiquée dans ce manuel. Vous pourrez aussi trouver une liste des réparateurs agréés de Black & Decker et de plus amples détails sur notre service après-vente sur le site Internet à l'adresse suivante : www.2helpU.com

Caractéristiques techniques

| | | KD970 | KD980 |
|--|-------------------|-----------|-----------|
| Tension | V _{AC} | 230 | 230 |
| Puissance absorbée | W | 600 | 650 |
| Vitesse à vide | min ⁻¹ | 0 - 1.000 | 0 - 1.000 |
| Vitesse en charge | min ⁻¹ | 0 - 820 | 0 - 820 |
| Vitesse d'impact | min ⁻¹ | 0- 4.000 | 0- 4.000 |
| Énergie d'impact | J | 2,0 | 2,2 |
| Support d'outils | | SDS-plus® | SDS-plus® |
| Capacité max. de perçage | | | |
| Béton | mm | 22 | 24 |
| Acier | mm | 13 | 13 |
| Bois | mm | 30 | 30 |
| Capacité de perçage dans la maçonnerie avec foret trépan | mm | - | 65 |
| Burinage | | non | oui |
| Poids | kg | 2,3 | 2,3 |

Déclaration de conformité CE

KD970/KD980

Black & Decker déclare que ces produits sont conformes à : 98/37/CEE, 89/336/CEE, EN 60745, EN 55014

L_{PA} (pression sonore) 97 dB(A), L_{WA} (puissance acoustique) 105 dB(A), poids de la vibration sur la main/bras 10 m/s²

K_{PA} (incertitude de la pression acoustique) : 3 dB(A),

K_{WA} (incertitude de la puissance acoustique) 3 dB(A)

Garantie

Black & Decker est confiant dans la qualité de ses produits et vous offre une garantie très étendue. Ce certificat de garantie est un document supplémentaire et ne peut en aucun cas se substituer à vos droits légaux. La garantie est valable sur tout le territoire des Etats Membres de l'Union Européenne et de la Zone de Libre Echange Européenne.

Si un produit Black & Decker s'avère défectueux en raison de matériaux en mauvaises conditions, d'une erreur humaine, ou d'un manque de conformité dans les 24 mois suivant la date d'achat, Black & Decker garantit le remplacement des pièces défectueuses, la réparation des produits usés ou cassés ou remplace ces produits à la convenance du client, sauf dans les circonstances suivantes :

- ◆ Le produit a été utilisé dans un but commercial, professionnel, ou a été loué.
- ◆ Le produit a été mal utilisé ou avec négligence.
- ◆ Le produit a subi des dommages à cause d'objets étrangers, de substances ou à cause d'accidents.
- ◆ Des réparations ont été tentées par des techniciens ne faisant pas partie du service technique de Black & Decker.

Pour avoir recours à la garantie, il est nécessaire de fournir une preuve d'achat au vendeur ou à un réparateur agréé. Pour connaître l'adresse du réparateur agréé le plus proche de chez vous, contactez le bureau Black & Decker à l'adresse indiquée dans ce manuel. Vous pourrez aussi trouver une liste des réparateurs agréés de Black & Decker et de plus amples détails sur notre service après-vente sur le site Internet à l'adresse suivante : www.2helpU.com

Visitez notre site Web www.blackanddecker.fr pour enregistrer votre nouveau produit Black & Decker et être informé des nouveaux produits et des offres spéciales. Pour plus d'informations concernant la marque Black & Decker et notre gamme de produits, consultez notre site www.blackanddecker.fr

Uso previsto

Il trapano a rotopercolazione Black & Decker è stato progettato per perforare legno, metalli, plastica e muratura, nonché per scalpellare, avvitare e svitare.

Norme generiche di sicurezza

Attenzione! Leggere tutte le istruzioni. La mancata osservazione delle presenti istruzioni potrebbe causare scosse elettriche, incendi e/o infortuni gravi. Il termine "elettrotensile" che ricorre in tutte le avvertenze seguenti si riferisce ad utensili elettrici con o senza filo.

CONSERVARE QUESTE ISTRUZIONI.

1. Area di lavoro

a. **Mantenere pulita e bene illuminata l'area di lavoro.**

Il disordine e la scarsa illuminazione possono causare incidenti.

b. **Evitare d'impiegare gli elettrotensili in ambienti esposti al rischio di esplosione, ad esempio in presenza di liquidi, gas o polveri infiammabili.**

Gli elettrotensili producono scintille che possono far infiammare la polvere o i fumi.

c. **Mantenere lontani bambini ed astanti mentre si usa l'elettrotensile.**

Eventuali distrazioni possono comportare la perdita del controllo dell'utensile.

2. Sicurezza elettrica

a. **La spina elettrica deve essere adatta alla presa.**

Evitare assolutamente di alterare la spina. Non impiegare spine adattatrici con utensili provvisti di messa a terra. L'uso di spine inalterate e delle prese corrispondenti riduce il rischio di scosse elettriche.

b. **Evitare il contatto fisico con superfici collegate a terra, come tubi, radiatori, forni e frigoriferi.**

Un corpo collegato a terra è esposto maggiormente al rischio di scosse elettriche.

c. **Custodire gli elettrotensili al riparo dalla pioggia o dall'umidità.**

L'eventuale infiltrazione di acqua in un elettrotensile aumenta il rischio di scosse elettriche.

d. **Non esporre il cavo a sollecitazioni. Non usare il cavo per trasportare o trainare l'utensile e non tirarlo per estrarre la spina dalla presa di corrente. Mantenere il cavo al riparo dal calore, da bordi taglienti e/o da parti in movimento.**

I cavi elettrici danneggiati o aggrovigliati aumentano il rischio di scosse elettriche.

e. **Se l'elettrotensile viene adoperato all'aperto, usare esclusivamente prolunghe omologate per l'impiego all'esterno.**

Un cavo adatto per uso esterno riduce il rischio di scosse elettriche.

3. Sicurezza delle persone

a. **È importante concentrarsi su ciò che si sta facendo e maneggiare con giudizio l'elettrotensile. Non adoperare l'elettrotensile se si è stanchi o sotto l'effetto di stupefacenti, alcol o medicinali.**

Un attimo di distrazione può causare gravi infortuni personali.

b. **Indossare sempre un equipaggiamento protettivo. Indossare sempre degli occhiali di sicurezza.**

Avendo cura d'indossare l'equipaggiamento protettivo necessario - ad esempio maschera antipolvere, calzature antiscivolo, casco ed otoprotezioni - si ridurrà il rischio di infortuni.

c. **Evitare l'accensione involontaria dell'utensile.**

Prima d'inserire la spina nella presa, controllare che l'interruttore sia su Off.

Il trasporto di elettrotensili tenendo le dita sull'interruttore oppure l'inserimento della spina di alimentazione di un elettrotensile con l'interruttore di accensione su On, aumenta il rischio di incidenti.

d. **Prima di accendere un elettrotensile, togliere eventuali chiavi o attrezzi di regolazione.**

Un attrezzo o una chiave lasciati in un componente mobile dell'elettrotensile possono causare lesioni.

e. **Non sporgerci. Mantenere sempre un buon equilibrio evitando posizioni malsicure.**

In questo modo è possibile controllare meglio l'utensile in situazioni inaspettate.

f. **Vestirsi adeguatamente. Evitare di indossare indumenti larghi o gioielli. Tenere capelli, vestiti e guanti lontani da pezzi in movimento.**

Vestiti larghi, gioielli o capelli lunghi potranno impigliarsi nei componenti in movimento.

g. **Se gli utensili sono provvisti di attacchi per la connessione di dispositivi di aspirazione o raccolta della polvere, assicurarsi che questi siano installati e utilizzati correttamente.**

L'impiego di tali dispositivi può ridurre i rischi correlati alle polveri.

4. Uso e cura degli elettrotensili

a. **Non sovraccaricare l'utensile. Usare l'elettrotensile idoneo al lavoro da eseguire.**

L'elettrotensile appropriato permetterà una migliore e più sicura lavorazione alla potenza nominale prevista.

b. **Non utilizzare elettrotensili con interruttori difettosi.**

Un elettrotensile che non può essere controllato mediante l'interruttore è pericoloso e deve essere riparato.

c. **Estrarre la spina dalla presa di corrente prima di regolare l'utensile, di sostituire degli accessori o di riporre l'utensile.**

Queste precauzioni di sicurezza riducono le possibilità che l'utensile venga messo in funzione accidentalmente.

- d. **Quando non vengono usati, gli elettrotensili devono essere custoditi fuori della portata dei bambini. Non consentire l'uso dell'utensile a persone inesperte o che non abbiano letto le presenti istruzioni.** Gli elettrotensili risultano pericolosi se usati da persone inesperte.
- e. **Sottoporre gli elettrotensili alle procedure di manutenzione del caso. Verificare che le parti mobili siano bene allineate e non inceppate, che non vi siano componenti rotti e che non sussistano altre condizioni che possano compromettere il funzionamento dell'elettrotensile. In caso di danni, riparare l'elettrotensile prima dell'uso.** La scarsa manutenzione causa molti incidenti.
- f. **Mantenere affilati e puliti gli utensili da taglio.**
Se sottoposti alla corretta manutenzione, gli utensili da taglio con taglienti affilati s'inceppano meno frequentemente e sono più facili da manovrare.
- g. **Utilizzare l'elettrotensile, gli accessori, le punte ecc. in conformità delle presenti istruzioni e secondo la specifica destinazione prevista, tenendo conto delle condizioni di lavoro e del lavoro da completare.**
L'impiego degli elettrotensili per usi diversi da quelli previsti può dar luogo a situazioni di pericolo.

5. Riparazioni

- a. **Fare riparare l'utensile solo ed esclusivamente da personale specializzato e solo impiegando pezzi di ricambio originali,** per conservare le condizioni di sicurezza dell'elettrotensile.

Sicurezza elettrica



Il doppio isolamento di cui è provvisto l'utensile rende superfluo il filo di terra. Controllare sempre che la tensione di alimentazione corrisponda a quella indicata sulla targhetta.

Caratteristiche

Questo utensile è dotato di tutte le funzioni elencate di seguito, o di alcune di esse.

1. Interruttore velocità variabile
2. Tasto di bloccaggio
3. Interruttore avanti/indietro
4. Selezione della modalità di perforazione
5. Porta-accessori
6. Impugnatura laterale
7. Arresto di profondità

Montaggio

Attenzione! Prima di montarlo assicuratevi che l'utensile sia spento e desinserito.

Installazione dell'impugnatura laterale e dell'arresto di profondità (fig. A)

- ◆ Ruotare l'impugnatura in senso antiorario finché non è possibile far scivolare l'impugnatura laterale (6) sul lato anteriore dell'utensile, come mostrato.
- ◆ Girare l'impugnatura laterale nella posizione desiderata.
- ◆ Inserire l'arresto di profondità (7) nel foro di montaggio, come mostrato.
- ◆ Regolare l'arresto di profondità sulla posizione desiderata. La profondità massima di perforazione equivale alla distanza tra la punta del trapano e l'estremità anteriore dell'arresto di profondità.
- ◆ Serrare la manopola laterale, ruotando l'impugnatura in senso orario.

Montaggio di un accessorio SDS-plus® (fig. B)

- ◆ Pulire e ingrassare lo stelo (9) dell'accessorio.
- ◆ Tirare indietro la bussola (10) e inserire lo stelo nel porta-accessori (6).
- ◆ Spingere in basso l'accessorio e ruotarlo leggermente finché non s'inserisce nelle scanalature.
- ◆ Tirare l'accessorio per controllare che sia bloccato correttamente. Con la funzione martello, l'accessorio deve potersi spostare assialmente di diversi centimetri quando è bloccato nel porta-accessori.
- ◆ Per rimuovere l'accessorio, tirare indietro la bussola (10) ed estrarlo.

KD970KA/KD980KA – Montaggio del mandrino con chiave (fig. C)

- ◆ Inserire nel porta-accessori lo stelo SDS-plus® (11) del mandrino in dotazione (12), come descritto in precedenza.

Attenzione! Non utilizzare mai dei mandrini standard con la modalità trapano a percussione.

Inserimento degli accessori nel mandrino con chiave (fig. D)

- ◆ Aprire il mandrino ruotando il manicotto (13).
- ◆ Inserire lo stelo della punta (14) nel mandrino.
- ◆ Inserire la chiave del mandrino (15) in ogni foro (16) nel lato del mandrino e girare fino a fissarla.

Uso


Attenzione! Lasciare che l'utensile lavori al suo ritmo, senza sovraccaricarlo.

Attenzione! Prima di forare pareti, pavimenti o soffitti, verificare l'ubicazione di cavi elettrici e tubazioni.


KD970 – Selezione della modalità operativa (fig. E)

Questo attrezzo può essere usato in due modalità operative. Ruotare il selettore di modalità di perforazione (5) nella posizione necessaria, in base ai simboli.

Istruzioni per trapanare

- ◆ Per perforare acciaio, legno e plastica e avvitare/svitare, impostare il selettore di modalità operativa (5) sulla posizione .
- ◆ Quando si avvita/svita, l'attrezzo deve essere azionato a bassa velocità.


Trapano a percussione

- ◆ Per perforare la muratura e il calcestruzzo, impostare il selettore della modalità operativa (5) sulla posizione .
- ◆ Quando si trapano, l'attrezzo non deve sobbalzare e deve funzionare senza incepparsi. Se necessario, aumentare la velocità.


KD980 – Selezione della modalità operativa (fig. F)

Questo attrezzo può essere usato in tre modalità operative. Ruotare il selettore di modalità di perforazione (5) nella posizione necessaria, in base ai simboli.


Istruzioni per trapanare

- ◆ Per perforare acciaio, legno e plastica e avvitare/svitare, impostare il selettore di modalità operativa (5) sulla posizione .
- ◆ Quando si avvita/svita, l'attrezzo deve essere azionato a bassa velocità.

Trapano a percussione

- ◆ Per perforare la muratura e il calcestruzzo, impostare il selettore della modalità operativa (5) sulla posizione .
- ◆ Quando si trapano, l'attrezzo non deve sobbalzare e deve funzionare senza incepparsi. Se necessario, aumentare la velocità.

Scalpellatura

- ◆ Per scalpellare con il blocco mandrino e per operazioni leggere di scricatura, impostare il selettore della modalità operativa (5) sulla posizione .
- ◆ Accertarsi che l'interruttore avanti/indietro sia posizionato su avanti.
- ◆ Quando si passa dalla funzione trapano a percussione alla scalpellatura, ruotare lo scalpello nella posizione desiderata. Se durante il cambio di modalità si avverte resistenza, girare leggermente lo scalpello per impegnare il blocco del mandrino.

Selezione del senso di rotazione

Per trapanare, avvitare e scalpellare, selezionare la direzione di rotazione in avanti (senso orario). Per svitare o per togliere una punta inceppata, selezionare il senso di rotazione indietro (senso antiorario).

- ◆ Per selezionare la rotazione in avanti, spingere il selettore avanti/indietro (3) verso sinistra.
- ◆ Per selezionare la rotazione indietro, spingere il selettore avanti/indietro verso destra.

Attenzione! Non invertire mai il senso di rotazione mentre l'utensile è in funzione.

Regolazione della profondità di perforazione (fig. G)

- ◆ Allentare l'impugnatura laterale (6).
- ◆ Regolare l'arresto di profondità (7) sulla posizione desiderata. La profondità massima di perforazione equivale alla distanza tra la punta del trapano e l'estremità anteriore dell'arresto di profondità.
- ◆ Stringere l'impugnatura laterale (6).

Accensione e spegnimento

- ◆ Per accendere l'utensile, premere l'interruttore variatore di velocità (1). La velocità dell'utensile dipende dalla pressione esercitata sull'interruttore.
- ◆ Per un funzionamento continuo, spingere il pulsante di blocco (2) e rilasciare l'interruttore per il cambio di velocità. Questa opzione è disponibile solo con la rotazione in avanti (in senso orario).
- ◆ Per spegnere l'utensile, rilasciare l'interruttore variatore di velocità. Per spegnere l'utensile in modalità di funzionamento continuo, premere di nuovo l'interruttore per il cambio di velocità e poi lasciarlo andare.

Accessori

Le prestazioni dell'utensile dipendono dall'accessorio usato. Gli accessori Black & Decker e Piranha, che sono prodotti di altissima qualità, sono stati progettati per ottimizzare la resa dell'utensile. Quando si scelgono questi accessori l'utensile offre prestazioni eccellenti.

Manutenzione

Questo utensile è stato progettato per funzionare a lungo con un minimo di manutenzione. Per ottenere prestazioni sempre soddisfacenti occorre avere cura dell'utensile e sottoporlo a manutenzione periodica.

- ◆ Pulire regolarmente le fessure di ventilazione con un pennello pulito e asciutto.
- ◆ Per pulire l'utensile, usare solo sapone delicato ed un panno umido. Evitare sempre l'infiltrazione di liquidi all'interno dell'utensile che non deve essere mai immerso in alcun liquido.

Protezione dell'ambiente



Black & Decker offre ai suoi clienti la possibilità di riciclare i prodotti Black & Decker che hanno esaurito la loro vita di servizio. Il servizio viene offerto gratuitamente. Per utilizzarlo, è sufficiente restituire il prodotto a qualsiasi tecnico autorizzato, incaricato della raccolta per conto dell'azienda.

Per individuare il tecnico autorizzato più vicino, rivolgersi alla sede Black & Decker locale, presso il recapito indicato nel presente manuale. Altrimenti un elenco completo di tutti i tecnici autorizzati Black & Decker e i dettagli completi sui contatti e i servizi post-vendita sono disponibili su Internet presso: **www.2helpU.com**

Dati tecnici

| | | KD970 | KD980 |
|---|-------------------|-----------|-----------|
| Tensione | V _{AC} | 230 | 230 |
| Potenza assorbita | W | 600 | 650 |
| Velocità a vuoto | min ⁻¹ | 0 - 1.000 | 0 - 1.000 |
| Velocità a carico | min ⁻¹ | 0 - 820 | 0 - 820 |
| Frequenza d'urto | min ⁻¹ | 0 - 4.000 | 0 - 4.000 |
| Energia d'urto | J | 2,0 | 2,2 |
| Porta-accessori | | SDS-plus® | SDS-plus® |
| Capacità di perforazione max. | | | |
| Calcestruzzo | mm | 22 | 24 |
| Acciaio | mm | 13 | 13 |
| Legno | mm | 30 | 30 |
| Capacità di foratura profonda su mattone | mm | - | 65 |
| Scalpellatura | | no | si |
| Peso | kg | 2,3 | 2,3 |

Dichiarazione CE di Conformità

KD970/KD980

Black & Decker dichiara che i presenti prodotti sono conformi a:

98/37/CEE, 89/336/CEE, EN 60745, EN 55014

L_{PA} (pressione sonora) 97 dB(A), L_{WA} (potenza acustica)
105 dB(A), vibrazione misurata su braccio / mano 10 m/s²

K_{PA} (incertezza sulla pressione sonora): 3 dB(A),

K_{WA} (incertezza sulla potenza acustica) 3 dB(A)

Kevin Hewitt
Direttore tecnico prodotti di consumo
Spennymoor, County Durham DL16 6JG,
Regno Unito
1-6-2004

Garanzia

Certa della qualità dei suoi prodotti, Black & Decker offre una garanzia eccezionale. Il presente certificato di garanzia è complementare ai diritti statutari e non li pregiudica in alcun modo. La garanzia è valida entro il territorio degli Stati membri dell'Unione Europea e dell'EFTA (European Free Trade Area).

Se un prodotto Black & Decker risulta difettoso per qualità del materiale, della costruzione o per mancata conformità entro 24 mesi dalla data di acquisto, Black & Decker garantisce la sostituzione delle parti difettose, provvede alla riparazione dei prodotti se ragionevolmente usurati oppure alla loro sostituzione, in modo da ridurre al minimo il disagio del cliente a meno che:

- ◆ Il prodotto non sia stato destinato ad usi commerciali, professionali o al noleggio;
- ◆ Il prodotto non sia stato usato in modo improprio o scorretto;
- ◆ Il prodotto non abbia subito danni causati da oggetti o sostanze estranee oppure incidenti;
- ◆ Il prodotto non abbia subito tentativi di riparazione non effettuati da tecnici autorizzati né dall'assistenza Black & Decker.

Per attivare la garanzia è necessario esibire la prova comprovante l'acquisto al venditore o al tecnico autorizzato. Per individuare il tecnico autorizzato più vicino, rivolgersi alla sede Black & Decker locale, presso il recapito indicato nel presente manuale. Altrimenti un elenco completo di tutti i tecnici autorizzati Black & Decker e i dettagli completi sui contatti e i servizi post-vendita sono disponibili su Internet presso: **www.2helpU.com**

I clienti che desiderano registrare il nuovo prodotto Black & Decker e ricevere gli aggiornamenti sui nuovi prodotti e le offerte speciali, sono invitati a visitare il sito Web (**www.blackanddecker.it**). Ulteriori informazioni sul marchio e la gamma di prodotti Black & Decker sono disponibili all'indirizzo **www.blackanddecker.it**

Gebruik volgens bestemming

Uw Black & Decker roterende schroefboor is ontworpen voor het boren in hout, metaal, kunststof en steen alsmede voor schroef- en lichte beitelwerkzaamheden.

Algemene veiligheidsvoorschriften

Waarschuwing! Lees alle voorschriften. Wanneer de volgende voorschriften niet in acht worden genomen, kan dit een elektrische schok, brand of ernstig letsel tot gevolg hebben. Het hierna gebruikte begrip "elektrisch gereedschap" heeft betrekking op elektrische gereedschappen voor gebruik op het stroomnet (met netsnoer) of op accu (snoerloos). **BEWAAR DEZE VOORSCHRIFTEN GOED.**

1. Werkomgeving

a. Houd uw werkomgeving schoon en opgeruimd.

Een rommelige of onverlichte werkomgeving kan tot ongevallen leiden.

b. Werk met de machine niet in een omgeving met explosiegevaar, zoals in de nabijheid van brandbare vloeistoffen, gassen of stof bevinden.

Elektrische gereedschappen veroorzaken vonken die het stof of de dampen tot ontsteking kunnen brengen.

c. Houd kinderen en andere personen tijdens het gebruik van het elektrische gereedschap uit de buurt. Wanneer u wordt afgeleid, kunt u de controle over het gereedschap verliezen.

2. Elektrische veiligheid

a. De netstekker van het gereedschap moet in het stopcontact passen. De stekker mag in geen geval worden veranderd. Gebruik geen adapterstekkers in combinatie met geaarde gereedschappen.

Onveranderde stekkers en passende stopcontacten beperken het risico van een elektrische schok.

b. Voorkom aanraking van het lichaam met geaarde oppervlakken, bijvoorbeeld buizen, verwarmingen, fornuizen en koelkasten. Er bestaat een verhoogd risico voor een elektrische schok wanneer uw lichaam geaard is.

c. Houd het gereedschap uit de buurt van regen en vocht. Het binnendringen van water in het elektrische gereedschap vergroot het risico van een elektrische schok.

d. Gebruik het snoer niet voor een verkeerd doel. Gebruik het snoer niet om het gereedschap te dragen of op te hangen of om de stekker uit het stopcontact te trekken. Houd het snoer uit de buurt van hitte, olie, scherpe randen of bewegende delen. Beschadigde of in de war geraakte snoeren vergroten het risico van een elektrische schok.

e. Wanneer u buitenshuis met elektrisch gereedschap werkt, dient u alleen verlengsnoeren te gebruiken die voor gebruik buitenshuis zijn goedgekeurd.

Het gebruik van een voor gebruik buitenshuis geschikt verlengsnoer beperkt het risico van een elektrische schok.

3. Veiligheid van personen

- a. **Wees alert, let goed op wat u doet en ga met verstand te werk bij het gebruik van elektrische gereedschappen. Gebruik elektrisch gereedschap niet wanneer u moe bent of onder invloed van drugs, alcohol of medicijnen.** Een moment van onoplettendheid bij het gebruik van het gereedschap kan tot ernstige verwondingen leiden.
- b. **Draag persoonlijke beschermende uitrusting. Draag altijd een veiligheidsbril.** Het dragen van persoonlijke beschermende uitrusting zoals een stofmasker, slipvast werkschoenen, een veiligheidshelm of gehoorbescherming, afhankelijk van de aard en het gebruik van het elektrische gereedschap, vermindert het risico van verwondingen.
- c. **Voorkom per ongeluk inschakelen. Controleer of de schakelaar in de uit-stand staat voordat u de stekker in het stopcontact steekt.** Wanneer u bij het dragen van het gereedschap uw vinger aan de schakelaar hebt of wanneer u het gereedschap ingeschakeld op de stroomvoorziening aansluit, kan dit tot ongevallen leiden.
- d. **Verwijder instelgereedschappen of schroefslutels voordat u het gereedschap inschakelt.**

Een instelgereedschap of sleutel in een draaiend deel van het gereedschap kan tot verwondingen leiden.

- e. **Reik niet te ver. Zorg er altijd voor dat u stevig staat en in evenwicht blijft.** Daardoor kunt u het gereedschap in onverwachte situaties beter onder controle houden.
- f. **Draag geschikte kleding. Draag geen loshangende kleding of sieraden. Houd haren, kleding en handschoenen uit de buurt van bewegende delen.** Loshangende kleding, sieraden en lange haren kunnen door bewegende delen worden meegenomen.
- g. **Wanneer stofafzuigings- of stofopvangvoorzieningen kunnen worden gemonteerd, dient u zich ervan te verzekeren dat deze zijn aangesloten en juist worden gebruikt.** Het gebruik van deze voorzieningen beperkt het gevaar door stof.

4. Gebruik en onderhoud van elektrische gereedschappen

- a. **Overbelast het gereedschap niet. Gebruik voor uw toepassing het daarvoor bestemde elektrische gereedschap.** Met het passende elektrische gereedschap werkt u beter en veiliger binnen het aangegeven capaciteitsbereik.

- b. Gebruik geen elektrisch gereedschap waarvan de schakelaar defect is.** Elektrisch gereedschap dat niet meer kan worden in- of uitgeschakeld, is gevaarlijk en moet worden gerepareerd.
- c. Trek de stekker uit het stopcontact voordat u het gereedschap instelt, toebehoren wisselt of het gereedschap weglegt.** Deze voorzorgsmaatregel voorkomt onbedoeld starten van het gereedschap.
- d. Bewaar niet-gebruikte elektrische gereedschappen buiten bereik van kinderen. Laat het gereedschap niet gebruiken door personen die er niet mee vertrouwd zijn en deze aanwijzingen niet hebben gelezen.** Elektrische gereedschappen zijn gevaarlijk wanneer deze door onervaren personen worden gebruikt.
- e. Verzorg het gereedschap zorgvuldig. Controleer of bewegende delen van het gereedschap correct functioneren en niet vastklemmen en of onderdelen zodanig gebroken of beschadigd zijn dat de werking van het gereedschap nadelig wordt beïnvloed. Laat beschadigde delen repareren voordat u het gereedschap gebruikt.** Veel ongevallen worden veroorzaakt door slecht onderhouden elektrische gereedschappen.
- f. Houd snijdende inzetgereedschappen scherp en schoon.** Zorgvuldig onderhouden snijdende inzetgereedschappen met scherpe snijkanten klemmen minder snel vast en zijn gemakkelijker te geleiden.
- g. Gebruik elektrische gereedschappen, toebehoren, inzetgereedschappen en dergelijke volgens deze aanwijzingen en zoals voor dit speciale gereedschapstype voorgeschreven. Let daarbij op de arbeidsomstandigheden en de uit te voeren werkzaamheden.** Het gebruik van elektrische gereedschappen voor andere dan de voorziene toepassingen kan tot gevaarlijke situaties leiden.
- 5. Service**
- a. Laat het gereedschap alleen repareren door gekwalificeerd en vakkundig personeel en alleen met originele vervangingsonderdelen.** Daarmee wordt de veiligheid van het gereedschap gewaarborgd.

Elektrische veiligheid



Deze machine is dubbel geïsoleerd; een aardaansluiting is daarom niet noodzakelijk. Controleer altijd of uw netspanning overeenkomt met de waarde op het typeplaatje.

Onderdelen

Al naar gelang de uitvoering beschikt deze machine over de volgende onderdelen.

1. Schakelaar voor elektronisch regelbaar toerental
2. Vergrendelingsknop
3. Rechtsom/linksomschakelaar
4. Boorfunctie-schakelaar
5. Accessoirehouder
6. Zijhandgreep
7. Diepteaanslag

Montage

Waarschuwing! Zorg vóór aanvang van de montage dat de machine is uitgeschakeld en de netstekker van het lichtnet is losgekoppeld.

Aanbrengen van de zijhandgreep en diepteaanslag (fig. A)

- ◆ Draai de handgreep linksom totdat u de zijhandgreep (6) zoals afgebeeld op de voorkant van de machine kunt plaatsen.
- ◆ Draai de zijhandgreep in de gewenste stand.
- ◆ Steek de diepteaanslag (7) zoals afgebeeld in het montagegat.
- ◆ Zet de diepteaanslag in de gewenste stand. De maximale boordiepte is gelijk aan de afstand tussen het uiteinde van de boor en de voorzijde van de diepteaanslag.
- ◆ Maak de zijhandgreep vast door de handgreep rechtsom te draaien.

Monteren van een SDS-plus® accessoire (fig. B)

- ◆ Reinig en smeer de schacht (9) van het accessoire.
- ◆ Trek de huls (10) naar achteren en plaats de schacht in de accessoirehouder (6).
- ◆ Duw het accessoire omlaag en draai het een beetje totdat het in de sleuven past.
- ◆ Trek aan het accessoire om te controleren of het goed vastzit. De hamerfunctie vereist dat het accessoire enkele centimeters heen en weer kan bewegen wanneer het vastzit in de accessoirehouder.
- ◆ Om het accessoire te verwijderen, trekt u de huls (10) naar achteren en neemt het accessoire uit.

KD970KA/KD980KA – Aanbrengen van de boorhouder met sleutel (fig. C)

- ◆ Plaats de SDS-plus® schacht (11) van de meegeleverde boorhouder (12) in de machinehouder zoals hierboven beschreven.

Waarschuwing! Gebruik bij het klopboren nooit standaard boorhouders.

Aanbrengen van accessoires in de boorhouder met sleutel (fig. D)

- ◆ Open de boorhouder door de bus (13) te draaien.
- ◆ Steek de schacht van de boor of bit (14) in de boorhouder.

- ◆ Steek de boorsleutel (15) in ieder gat (16) in de zijkant van de boorhouder en draai totdat de boorhouder vast zit.

Gebruik


Waarschuwing! Laat de machine op haar eigen tempo werken. Niet overbelasten.

Waarschuwing! Controleer voordat u gaat boren in muren, vloeren of plafonds de locatie van eventueel aanwezige gas-, water- en elektriciteitsleidingen.


KD970 – Selecteren van de werkmodus (fig. E)

De machine kan worden gebruikt voor twee functies. Draai de boorfunctie-schakelaar (5) naar de gewenste positie, zoals aangegeven door de symbolen.

Boren

- ◆ Voor boren in staal, hout en kunststof en voor schroevendraaien, zet u de werkmodus-schakelaar (5) in de  positie.
- ◆ Begin bij het schroevendraaien met een laag toerental.


Klopboren

- ◆ Voor klopboren in metselwerk en beton zet u de werkmodus-schakelaar (5) in de  positie.
- ◆ Bij het klopboren mag de machine niet stutten en moet soepel lopen. Verhoog, indien nodig, het toerental.


KD980 – Selecteren van de werkmodus (fig. F)

De machine kan worden gebruikt voor drie functies. Draai de boorfunctie-schakelaar (5) naar de gewenste positie, zoals aangegeven door de symbolen.


Boren

- ◆ Voor boren in staal, hout en kunststof en voor schroevendraaien, zet u de werkmodus-schakelaar (5) in de  positie.
- ◆ Begin bij het schroevendraaien met een laag toerental.

Klopboren

- ◆ Voor klopboren in metselwerk en beton zet u de werkmodus-schakelaar (5) in de  positie.
- ◆ Bij het klopboren mag de machine niet stutten en moet soepel lopen. Verhoog, indien nodig, het toerental.

Beitelen

- ◆ Voor beitelen met spindelvergrendeling en voor licht bikwerk zet u de werkmodus-schakelaar (5) in de  positie.
- ◆ Controleer of de links/rechts-omschakelaar in de voorste stand staat.

- ◆ Draai bij het overschakelen van klopboren naar beitelen de beitel in de gewenste stand. Draai de beitel lichtjes om de spindelvergrendeling vast te draaien, als bij het veranderen van functie weerstand voelbaar is.

Selecteren van de draairichting

Kies voor boren, schroeven indraaien en beitelen de draairichting rechtsom (met de klok mee). Kies voor schroeven losdraaien of voor het verwijderen van een vastgelopen boor de draairichting linksom (tegen de klok in).

- ◆ Om de draairichting rechtsom te selecteren, drukt u de links/rechts-schakelaar (3) naar links.
- ◆ Om de draairichting linksom te selecteren, drukt u de links/rechts-schakelaar (2) naar rechts.

Waarschuwing! Verander nooit de draairichting terwijl de motor is ingeschakeld.

Instellen van de boordiepte (fig. G)

- ◆ Draai de zijhandgreep (6) los.
- ◆ Zet de diepteaanslag (7) in de gewenste stand. De maximale boordiepte is gelijk aan de afstand tussen het uiteinde van de boor en de voorzijde van de diepteaanslag.
- ◆ Draai de zijhandgreep (6) vast.

In- en uitschakelen

- ◆ Om de machine in te schakelen, drukt u de variabele-snelheidsschakelaar (1) in. De machinesnelheid hangt af van hoever u de schakelaar indrukt.
- ◆ Voor continu-bediening: houd de vergrendelingsknop (2) ingedrukt en laat de variabele-snelheidsschakelaar los. Deze optie is alleen beschikbaar bij het rechtsom (met de klok mee) draaien.
- ◆ Om de machine uit te schakelen, laat u de variabele-snelheidsschakelaar los. Om de machine uit te schakelen in continu-bedrijf, drukt u nogmaals op de variabele-snelheidsschakelaar en laat u hem los.

Accessoires

De prestaties van uw machine hangen af van welke accessoire u gebruikt. Black & Decker en Piranha accessoires zijn ontwikkeld om te voldoen aan hoge kwaliteitseisen en ontworpen om de prestaties van uw machine te verbeteren. Met behulp van deze accessoires haalt u het beste uit uw machine.

Onderhoud

Uw machine is ontworpen om gedurende langere periode te functioneren met een minimum aan onderhoud. Voortdurend tevreden gebruik is afhankelijk van correct onderhoud en regelmatig schoonmaken.

- ◆ Reinig de ventilatieopeningen regelmatig met een schone, droge borstel.
- ◆ Gebruik alleen zachte zeep en een vochtige doek om het apparaat te reinigen. Zorg ervoor dat er geen vloeistof in de machine kan komen en dompel geen enkel onderdeel van de machine ooit onder in vloeistof.



Kevin Hewitt
 Director of Consumer Engineering
 Spennymoor, County Durham DL16 6JG,
 Verenigd Koninkrijk
 1-6-2004

Milieu



Black & Decker biedt de mogelijkheid tot recyclen van afgedankte Black & Decker producten. Deze service is kosteloos. Om gebruik van deze service te maken, dient u het product aan een van onze servicecentra te sturen, die voor ons de inzameling verzorgen.

U kunt het adres van het dichtstbijzijnde servicecentrum opvragen via de adressen op de achterzijde van deze handleiding. U kunt ook een lijst van onze servicecentra en meer informatie m.b.t. onze klantenservice vinden op het volgende Internet-adres: www.2helpU.com

Technische gegevens

| | | KD970 | KD980 |
|---------------------------|-------------------|-----------|-----------|
| Spanning | V _{AC} | 230 | 230 |
| Opgenomen vermogen | W | 600 | 650 |
| Onbelast toerental | min ⁻¹ | 0 - 1.000 | 0 - 1.000 |
| Belast toerental | min ⁻¹ | 0 - 820 | 0 - 820 |
| Slagsnelheid | min ⁻¹ | 0 - 4.000 | 0 - 4.000 |
| Slagenergie | J | 2,0 | 2,2 |
| Accessoirehouder | | SDS-plus® | SDS-plus® |
| Max. boorcapaciteit | | | |
| Beton | mm | 22 | 24 |
| Staal | mm | 13 | 13 |
| Hout | mm | 30 | 30 |
| Capaciteit met kroonboren | | | |
| in zachte baksteen | mm | - | 65 |
| Beitelen | nee | ja | |
| Gewicht | kg | 2,3 | 2,3 |

EG-conformiteitsverklaring

KD970/KD980

Black & Decker verklaart dat deze producten in overeenstemming zijn met:
 98/37/EEG, 89/336/EEG, EN 60745, EN 55014

L_{PA} (geluidsdruk) 97 dB(A), L_{WA} (geluidsvermogen) 105 dB(A),
 gewogen kwadratische gemiddelde waarde van de versnelling
 10 m/s²

K_{PA} (meetonzekerheid geluidsdruk): 3 dB(A),

K_{WA} (meetonzekerheid geluidsvermogen) 3 dB(A)

Garantie

Black & Decker heeft vertrouwen in zijn producten en biedt een uitstekende garantie. Deze garantiebepalingen vormen een aanvulling op uw wettelijke rechten en beperken deze niet. De garantie geldt in de lidstaten van de Europese Unie en de Europese Vrijhandelsassociatie.

Mocht uw Black & Decker product binnen 24 maanden na datum van aankoop defect raken tengevolge van materiaal- of constructiefouten, dan garanderen wij de kosteloze vervanging van defecte onderdelen, de reparatie van het product of de vervanging van het product, tenzij:

- ◆ Het product is gebruikt voor handelsdoeleinden, professionele toepassingen of verhuurdoeleinden;
- ◆ Het product onoordeelkundig is gebruikt;
- ◆ Het product is beschadigd door invloeden van buitenaf of door een ongeval;
- ◆ Reparaties zijn uitgevoerd door anderen dan onze servicecentra of Black & Decker personeel.

Om een beroep op de garantie te doen, dient u een aankoopbewijs te overhandigen aan de verkoper of een van onze servicecentra. U kunt het adres van het dichtstbijzijnde servicecentrum opvragen via de adressen op de achterzijde van deze handleiding. U kunt ook een lijst van onze servicecentra en meer informatie m.b.t. onze klantenservice vinden op het volgende Internet-adres: www.2helpU.com

Meld u aan op onze website www.blackanddecker.nl om te worden geïnformeerd over nieuwe producten en speciale aanbiedingen. Verdere informatie over het merk Black & Decker en onze producten vindt u op www.blackanddecker.nl

Uso previsto

La taladradora de martillo Black & Decker está diseñada para taladrar madera, metales, plásticos y mampostería, así como para el atornillado y trabajos ligeros de cincelado.

Normas de seguridad generales

¡Atención! Lea íntegramente estas instrucciones. En caso de no atenerse a las instrucciones de seguridad siguientes, ello puede dar lugar a una descarga eléctrica, incendio o lesión grave. El término “herramienta eléctrica” empleado en las advertencias indicadas a continuación se refiere a la herramienta eléctrica con alimentación de red (con cable) o alimentada por batería (sin cable).

GUARDE ESTAS INSTRUCCIONES EN UN LUGAR SEGURO.

1. Área de trabajo

a. Mantenga limpia y bien iluminada el área de trabajo.

El desorden y una iluminación deficiente en las áreas de trabajo pueden provocar accidentes.

b. No utilice la herramienta eléctrica en un entorno con peligro de explosión, en el que se encuentren combustibles líquidos, gases o material en polvo.

Las herramientas eléctricas producen chispas que pueden llegar a inflamar los materiales en polvo o vapores.

c. Mantenga alejados a los niños y otras personas del área de trabajo al emplear la herramienta eléctrica.

Una distracción le puede hacer perder el control sobre la herramienta.

2. Seguridad eléctrica

a. El enchufe de la herramienta eléctrica debe corresponder a la toma de corriente utilizada. No es admisible modificar el enchufe en forma alguna. No emplee adaptadores en herramientas eléctricas dotadas con una toma de tierra.

Los enchufes sin modificar adecuados a las respectivas tomas de corriente reducen el riesgo de una descarga eléctrica.

b. Evite que su cuerpo toque partes conectadas a tierra como tuberías, radiadores, cocinas y refrigeradores.

El riesgo a quedar expuesto a una sacudida eléctrica es mayor si su cuerpo tiene contacto con tierra.

c. No exponga las herramientas eléctricas a la lluvia y evite que penetren líquidos en su interior. Existe el peligro de recibir una descarga eléctrica si penetran ciertos líquidos en la herramienta eléctrica.

d. Cuide el cable de alimentación. No utilice el cable de red para transportar o colgar la herramienta eléctrica, ni tire de él para sacar el enchufe de la toma de corriente. Mantenga el cable de red alejado del calor, aceite, bordes afilados o piezas móviles.

Los cables de red dañados o enredados pueden provocar una descarga eléctrica.

e. Al trabajar con la herramienta eléctrica en la intemperie utilice solamente cables de prolongación homologados para su uso en exteriores. La utilización de un cable de prolongación adecuado para su uso en exteriores reduce el riesgo de una descarga eléctrica.

3. Seguridad personal

a. Esté atento a lo que hace y emplee la herramienta eléctrica con prudencia. No utilice la herramienta eléctrica si estuviese cansado, ni tampoco después de haber consumido alcohol, drogas o medicamentos.

El no estar atento durante el uso de una herramienta eléctrica puede provocar serias lesiones.

b. Utilice un equipo de protección y en todo caso unas gafas de protección. El riesgo a lesionarse se reduce considerablemente si, dependiendo del tipo y la aplicación de la herramienta eléctrica empleada, se utiliza un equipo de protección adecuado como una mascarilla antipolvo, zapatos de seguridad con suela antideslizante, casco o protectores auditivos.

c. Evite una puesta en marcha accidental de la herramienta. Compruebe que el interruptor esté en la posición de apagado antes de enchufar la herramienta. Transportar la herramienta eléctrica con el dedo sobre el interruptor o enchufarla con el interruptor encendido puede provocar accidentes.

d. Retire las herramientas de ajuste o llaves fijas antes de conectar la herramienta eléctrica.

Una herramienta o llave colocada en una pieza giratoria puede producir lesiones al ponerse a funcionar.

e. Sea precavido. Mantenga un apoyo firme sobre el suelo y conserve el equilibrio en todo momento.

Ello le permitirá controlar mejor la herramienta eléctrica en caso de presentarse una situación inesperada.

f. Lleve puesta una vestimenta de trabajo adecuada. No lleve vestidos anchos ni joyas. Mantenga su pelo, vestimenta y guantes alejados de las piezas móviles.

La vestimenta suelta, las joyas y el pelo largo se pueden enganchar con las piezas en movimiento.

g. Siempre que sea posible utilizar unos equipos de aspiración o captación de polvo, asegúrese que éstos estén montados y que sean utilizados correctamente. El empleo de estos equipos reduce los riesgos derivados del polvo.

4. Uso y cuidado de herramientas eléctricas

a. No sobrecargue la herramienta eléctrica. Use la herramienta eléctrica prevista para el trabajo a realizar. Con la herramienta eléctrica adecuada podrá trabajar mejor y más seguro dentro del margen de potencia indicado.

- b. No utilice herramientas eléctricas con un interruptor defectuoso.** Las herramientas eléctricas que no se puedan conectar o desconectar son peligrosas y deben hacerse reparar.
- c. Saque el enchufe de la red antes de realizar un ajuste en la herramienta eléctrica, cambiar de accesorio o al guardar la herramienta.** Esta medida preventiva reduce el riesgo de conectar accidentalmente la herramienta eléctrica.
- d. Guarde las herramientas eléctricas fuera del alcance familiarizadas con su uso.** Las herramientas eléctricas utilizadas por personas inexpertas son peligrosas
- e. Cuide sus herramientas eléctricas con esmero. Controle si funcionan correctamente, sin atascarse, las partes móviles de la herramienta eléctrica, y si existen partes rotas o deterioradas que pudieran afectar al funcionamiento de la herramienta. Si la herramienta eléctrica estuviese defectuosa haga que la reparen antes de volver a utilizarla.** Muchos de los accidentes se deben a herramientas eléctricas con un mantenimiento deficiente.
- f. Mantenga las herramientas de corte limpias y afiladas.** Las herramientas de corte mantenidas correctamente se dejan guiar y controlar mejor.
- g. Utilice herramientas eléctricas, accesorios, útiles de herramienta, etc. de acuerdo con estas instrucciones y en la manera indicada específicamente para esta herramienta eléctrica. Considere en ello las condiciones de trabajo y la tarea a realizar.** El uso de herramientas eléctricas para trabajos diferentes de aquellos para los que han sido concebidas puede resultar peligroso.
- 5. Servicio técnico**
- a. Haga reparar su herramienta eléctrica sólo por personal técnico autorizado que emplee exclusivamente piezas de repuesto originales.** Solamente así se garantiza la seguridad de la herramienta eléctrica.

Seguridad eléctrica



La herramienta lleva un doble aislamiento; por lo tanto no requiere una toma a tierra. Compruebe siempre que la tensión de la red corresponda con el valor indicado en la placa de datos de la herramienta.

Características

Esta herramienta incluye alguna o todas las características siguientes.

1. Conmutador de velocidad variable
2. Botón de bloqueo

3. Interruptor de avance/retroceso
4. Selector de modo de perforación
5. Portaherramienta
6. Mango lateral
7. Tope de profundidad

Montaje

¡Atención! Antes de proceder al montaje, compruebe que la herramienta está apagada y desenchufada.

Acoplamiento del mango lateral y el tope de profundidad (fig. A)

- ◆ Gire el mango en sentido contrario a las agujas del reloj hasta que pueda deslizar el mango lateral (6) hacia la parte delantera de la herramienta como se ilustra.
- ◆ Gire el mango lateral a la posición deseada.
- ◆ Inserte el tope de profundidad (7) en el orificio de montaje como se ilustra.
- ◆ Fije el tope de profundidad a la posición deseada. La profundidad máxima de perforación es igual a la distancia entre la punta de la broca y el extremo anterior del tope de profundidad.
- ◆ Apriete el mango lateral, girando el mango en el sentido de las agujas del reloj.

Montaje de un accesorio SDS-plus® (fig. B)

- ◆ Limpie y engrase el vástago (9) del accesorio.
- ◆ Tire hacia atrás del manguito (10) e inserte el vástago en el portaherramienta (6).
- ◆ Empuje el accesorio hacia abajo y gírelo ligeramente hasta que encaje en las ranuras.
- ◆ Tire del accesorio para comprobar si está correctamente ajustado. La función de martillado requiere que el accesorio pueda moverse axialmente varios centímetros cuando esté colocado en el portaherramienta.
- ◆ Para quitar el accesorio, tire hacia atrás del manguito (10) y extraiga el accesorio.

KD970KA/KD980KA – Montaje del portabrocas con llave (fig. C)

- ◆ Ajuste el vástago SDS-plus® (11) del portabrocas suministrado (12) en el portaherramienta como se ha descrito anteriormente.

¡Atención! No use nunca portabrocas estándar en el modo de taladrado a martillo.

Montaje de los accesorios en el portabrocas con llave (fig. D)

- ◆ Abra el portabrocas girando el manguito (13).
- ◆ Inserte el eje de la broca (14) en el portabrocas.
- ◆ Inserte la llave del portabrocas (15) en cada orificio (16) del lateral del portabrocas y gírela al máximo.

Uso


¡Atención! Deje que la herramienta funcione a su ritmo. No lo sobrecargue.

¡Atención! Antes de taladrar paredes, suelos o techos, compruebe la ubicación de cableados y tuberías.


KD970 – Selección del modo de funcionamiento (fig. E)

La herramienta se puede utilizar en dos modos de funcionamiento. Gire el selector del modo de taladrado (5) hacia la posición deseada, según indican los símbolos.

Taladrado

- ◆ Para taladrar acero, madera y plásticos y para atornillar, fije el selector del modo de funcionamiento (5) en la posición .
- ◆ Cuando atornille, empiece a una velocidad baja.


Taladrado a martillo

- ◆ Para taladrar a martillo mampostería y hormigón, fije el selector del modo de funcionamiento (5) en la posición  T.
- ◆ Cuando martille, la herramienta no debe botar, debe funcionar suavemente. Si es necesario, aumente la velocidad.


KD980 – Selección del modo de funcionamiento (fig. F)

La herramienta se puede utilizar en tres modos de funcionamiento. Gire el selector del modo de taladrado (5) hacia la posición deseada, según indican los símbolos.


Taladrado

- ◆ Para taladrar acero, madera y plásticos y para atornillar, fije el selector del modo de funcionamiento (5) en la posición .
- ◆ Cuando atornille, empiece a una velocidad baja.

Taladrado a martillo

- ◆ Para taladrar a martillo mampostería y hormigón, fije el selector del modo de funcionamiento (5) en la posición  T.
- ◆ Cuando martille, la herramienta no debe botar, debe funcionar suavemente. Si es necesario, aumente la velocidad.

Cincelar

- ◆ Para cincelar con bloqueo del husillo y para trabajos ligeros de desbastado, fije el selector del modo de funcionamiento (5) en la posición  T.
- ◆ Asegúrese de que el interruptor adelante/atrás está en la posición adelante.

- ◆ Cuando cambie del taladrado a martillo para cincelar, gire el cincel a la posición deseada. Si nota resistencia durante el cambio de modalidad, gire ligeramente el cincel para enganchar el cierre del husillo.

Selección de la dirección de rotación

Para taladrar, apretar tornillos y cincelar, use la rotación hacia adelante (en el sentido de las agujas del reloj). Para aflojar tornillos o para extraer una broca atascada, use la rotación inversa (en sentido contrario a las agujas del reloj).

- ◆ Para seleccionar la rotación directa, empuje la guía de deslizamiento hacia adelante/atrás (3) hacia la izquierda.
- ◆ Para seleccionar la rotación inversa, empuje la guía de deslizamiento hacia adelante/atrás hacia la derecha.

¡Atención! No cambie nunca la dirección de rotación mientras el motor esté en marcha.

Ajuste de la profundidad de corte (fig. G)

- ◆ Afloje el mango lateral (6).
- ◆ Fije el tope de profundidad (7) a la posición deseada. La profundidad máxima de perforación es igual a la distancia entre la punta de la broca y el extremo anterior del tope de profundidad.
- ◆ Apriete el mango lateral (6).

Encendido y apagado

- ◆ Para poner en marcha la herramienta, presione el conmutador de velocidad variable (1). La velocidad de la herramienta dependerá de hasta dónde presione el conmutador.
- ◆ Para un funcionamiento continuo, pulse el botón de bloqueo (2) y suelte el interruptor de velocidad variable. Esta opción está disponible únicamente en la rotación hacia adelante (sentido de las agujas del reloj).
- ◆ Para desconectar la herramienta, suelte el conmutador de velocidad variable. Para desconectar la herramienta durante el funcionamiento continuo, pulse el interruptor de velocidad variable una vez más y suéltelo.

Accesorios

El rendimiento de la herramienta dependerá del accesorio utilizado. Los accesorios de Black & Decker y Piranha están fabricados según las más altas normas de calidad para ampliar el rendimiento de la herramienta. Utilizando estos accesorios, logrará aprovechar al máximo la herramienta.

Mantenimiento

Su herramienta está diseñada para que funcione durante un largo período de tiempo con un mantenimiento mínimo.

El funcionamiento satisfactorio continuado depende de un cuidado apropiado y una limpieza periódica de la herramienta.

- ◆ Limpie con regularidad las ranuras de ventilación con un cepillo limpio y seco.
- ◆ Para limpiar la herramienta, utilice sólo jabón suave y un paño húmedo. No permita nunca la entrada de líquido en la herramienta y no sumerja nunca ninguna parte de la herramienta en líquido.

L_{pA} (presión acústica) 97 dB(A), L_{WA} (potencia acústica) 105 dB(A), vibraciones soportadas en mano/brazo 10 m/s²

K_{pA} (incertidumbre de presión acústica): 3 dB(A),
 K_{WA} (incertidumbre de potencia acústica) 3 dB(A)



Kevin Hewitt
 Director de Ingeniería del Consumidor
 Spennymoor, County Durham DL16 6JG,
 Reino Unido
 1-6-2004

Protección del medio ambiente



Black & Decker proporciona facilidades para el reciclado de los productos Black & Decker que hayan llegado al final de su vida útil. Este servicio se proporciona de forma gratuita. Para poderlo utilizar, le rogamos entregue el producto en cualquier servicio técnico autorizado quien se hará cargo del mismo en nuestro nombre.

Pueden consultar la dirección de su servicio técnico más cercano poniéndose en contacto con la oficina local de Black & Decker en la dirección que se indica en este manual. Como alternativa, se puede consultar en Internet, en la dirección siguiente, la lista de servicios técnico autorizados e información completa de nuestros servicios de postventa y contactos: **www.2helpU.com**

Características técnicas

| | | KD970 | KD980 |
|---|-------------------|-----------|-----------|
| Voltaje | V_{AC} | 230 | 230 |
| Potencia absorbida | W | 600 | 650 |
| Velocidad sin carga | min ⁻¹ | 0 - 1.000 | 0 - 1.000 |
| Velocidad en carga | min ⁻¹ | 0 - 820 | 0 - 820 |
| Tasa de impacto | min ⁻¹ | 0- 4.000 | 0- 4.000 |
| Energía de impacto | J | 2,0 | 2,2 |
| Portaherramienta | | SDS-plus® | SDS-plus® |
| Capacidad máxima de taladrado | | | |
| Hormigón | mm | 22 | 24 |
| Acero | mm | 13 | 13 |
| Madera | mm | 30 | 30 |
| Taladrado con barrena cilíndrica hueca con punto de carburo | mm | - | 65 |
| Cincelado | | no | si |
| Peso | kg | 2,3 | 2,3 |

Declaración de conformidad CE

KD970/KD980

Black & Decker declara que estos productos cumplen las normas siguientes:

98/37/CEE, 89/336/CEE, EN 60745, EN 55014

Garantía

Black & Decker confía plenamente en la calidad de sus productos y ofrece una garantía extraordinaria. Esta declaración de garantía es una añadido, y en ningún caso un perjuicio para sus derechos estatutarios. La garantía es válida dentro de los territorios de los Estados Miembros de la Unión Europea y de los de la Zona Europea de Libre Comercio.

Si un producto Black & Decker resultará defectuoso debido a materiales o mano de obra defectuosos o a la falta de conformidad, Black & Decker garantiza, dentro de los 24 meses de la fecha de compra, la sustitución de las piezas defectuosas, la reparación de los productos sujetos a un desgaste y rotura razonables o la sustitución de tales productos para garantizar al cliente el mínimo de inconvenientes, a menos que:

- ◆ El producto haya sido utilizado con propósitos comerciales, profesionales o de alquiler;
- ◆ El producto haya sido sometido a un uso inadecuado o negligente;
- ◆ El producto haya sufrido daños causados por objetos o sustancias extrañas o accidentes;
- ◆ Se hayan realizado reparaciones por parte de personas que no sean los servicios de reparación autorizados o personal de servicios de Black & Decker;

Para reclamar en garantía, será necesario que presente la prueba de compra al vendedor o al servicio técnico de reparaciones autorizado. Pueden consultar la dirección de su servicio técnico más cercano poniéndose en contacto con la oficina local de Black & Decker en la dirección que se indica en este manual. Como alternativa, se puede consultar en Internet, en la dirección siguiente, la lista de servicios técnicos autorizados e información completa de nuestros servicios de postventa y contactos: **www.2helpU.com**

Visite nuestro sitio web **www.blackanddecker.com** para registrar su nuevo producto Black & Decker y mantenerse al día sobre nuestros productos y ofertas especiales. Encontrará información adicional sobre la marca Black & Decker y nuestra gama de productos en **www.blackanddecker.com**

Utilização

O seu berbequim Black & Decker foi concebido para perfurar madeira, metal, plástico e maçonaria, assim como para fins de aparafusamento e aplicações de cinzelamento.

Regras gerais de segurança

Advertência! Leia todas as instruções. O não cumprimento das instruções a seguir podem causar choque eléctrico, incêndio e/ou graves lesões. O termo “ferramenta eléctrica” utilizado a seguir refere-se a ferramentas eléctricas com ligação à corrente eléctrica (com fios) ou operadas a bateria (sem fios).

GUARDE BEM ESTAS INSTRUÇÕES.

1. Área de trabalho

- a. **Mantenha a sua área de trabalho limpa e arrumada.** Desordem e áreas de trabalho com fraca iluminação podem causar acidentes.
- b. **Não trabalhar com a ferramenta eléctrica em áreas com risco de explosão, nas quais se encontrem líquidos, gases ou pós inflamáveis.** Ferramentas eléctricas produzem faíscas que podem provocar a ignição de pó e vapores.
- c. **Mantenha crianças e outras pessoas afastadas da ferramenta eléctrica durante o trabalho com a ferramenta.** Distrações podem causar a falta de controlo sobre a ferramenta.

2. Segurança eléctrica

- a. **A ficha da ferramenta eléctrica deve caber na tomada. A ficha não deve ser modificada de modo algum. Não utilize quaisquer fichas de adaptação junto com ferramentas eléctricas ligadas à terra.** Fichas sem modificações e tomadas adequadas reduzem o risco de choques eléctricos.
- b. **Evite que o corpo entre em contacto com superfícies ligadas à terra, como por exemplo tubos, radiadores, fogões e frigoríficos.** Há um risco elevado de choques eléctricos, caso o corpo seja ligado à terra.
- c. **A ferramenta eléctrica não deve ser exposta à chuva nem humidade.** A penetração de água na ferramenta eléctrica aumenta o risco de choques eléctricos.
- d. **Manuseie o fio com cuidado. O cabo da ferramenta não deve ser utilizado para o transporte, para pendurar a ferramenta, nem para puxar a ficha da tomada. Mantenha o cabo afastado de calor, óleo, cantos afiados ou partes em movimento da ferramenta.** Cabos danificados ou torcidos aumentam o risco de choques eléctricos.
- e. **Ao trabalhar com a ferramenta eléctrica ao ar livre, use um cabo de extensão apropriado para áreas externas.** O uso de um cabo apropriado para áreas externas reduz o risco de choques eléctricos.

3. Segurança pessoal

- a. **Esteja alerta, observe o que está a fazer, e tenha prudência ao trabalhar com a ferramenta eléctrica. Não use a ferramenta eléctrica se estiver cansado ou sob a influência de drogas, álcool ou medicamentos.** Um momento de falta de atenção durante a operação da ferramenta eléctrica pode causar graves lesões.
 - b. **Usar um equipamento pessoal de protecção. Utilizar sempre óculos de protecção.** Equipamento de segurança, como por exemplo, máscara de protecção contra pó, sapatos de segurança anti-derrapantes, capacete de segurança ou protecção auricular, de acordo com o tipo e aplicação da ferramenta eléctrica, reduz o risco de lesões.
 - c. **Evite um accionamento involuntário. Assegure-se de que o interruptor está na posição de desligado antes de o ligar.** O transporte de ferramentas eléctricas com o dedo no interruptor ou a ligação das mesmas que tenham o interruptor ligado provoca acidentes.
 - d. **Remover chaves de ajustes ou chaves de fenda, antes de ligar a ferramenta eléctrica.** Uma chave de fenda ou chave de ajuste que se encontre numa parte móvel da ferramenta, pode levar a lesões.
 - e. **Não se sobrestime. Mantenha-se sempre bem posicionado e em equilíbrio.** Desta forma poderá ser mais fácil controlar a ferramenta em situações inesperadas.
 - f. **Use vestuário apropriado. Não use roupa larga ou jóias. Mantenha o cabelo, roupa e luvas afastadas de partes em movimento.** Roupas largas, jóias ou cabelos longos podem ser agarradas por partes em movimento.
 - g. **Se for prevista a montagem de dispositivos de aspiração de pó e de dispositivos de recolha, assegure-se de que estão ligados e que são utilizados de forma correcta.** A utilização destes dispositivos reduz os riscos provocados por pó.
- ### 4. Utilização e manutenção da ferramenta eléctrica
- a. **Não sobrecarregue a ferramenta eléctrica. Use para o seu trabalho a ferramenta eléctrica correcta.** A ferramenta correcta realizará o trabalho de forma melhor e mais segura dentro da potência indicada.
 - b. **Não utilize a ferramenta eléctrica se o interruptor não puder ser ligado nem desligado.** Qualquer ferramenta eléctrica que não possa ser controlada através do interruptor de ligar-desligar é perigosa e deve ser reparada.
 - c. **Desligue a ficha da tomada antes de efectuar ajustes na ferramenta, substituir acessórios ou armazenar a ferramenta eléctrica.** Esta medida de segurança evita que a ferramenta eléctrica seja ligada acidentalmente.
 - d. **Mantenha as ferramentas eléctricas que não estiverem a ser utilizadas fora do alcance de crianças.**

Não permita que a ferramenta seja utilizada por pessoas não familiarizadas com a mesma ou que não tenham lido estas instruções. As ferramentas eléctricas são perigosas se utilizadas por pessoas não qualificadas.

- e. Trate a sua ferramenta eléctrica com cuidado. Verifique se as partes móveis da ferramenta funcionam perfeitamente e não emperram, se há peças quebradas ou danificadas, que possam influenciar o funcionamento da ferramenta. As peças danificadas devem ser reparadas antes da utilização da ferramenta.** Muitos acidentes têm como causa uma manutenção insuficiente das ferramentas eléctricas.
- f. Mantenha as ferramentas de corte sempre afiadas e limpas.** Ferramentas de cortes devidamente tratadas, com cantos afiados travam com menos frequência e podem ser controladas com maior facilidade.
- g. Use a ferramenta eléctrica, os acessórios e as brocas da ferramenta etc., de acordo com estas instruções e da maneira determinada para este tipo especial de ferramenta eléctrica. Considere também as condições de trabalho e o trabalho a ser efectuado.** A utilização da ferramenta eléctrica para outros fins que os previstos pode resultar em situações perigosas.

5. Reparação

- a. A sua ferramenta eléctrica só deve ser reparada por pessoal qualificado e só devem ser colocadas peças sobressalentes originais.** Desta forma é assegurada a segurança da ferramenta eléctrica.

Segurança eléctrica



Esta ferramenta está duplamente vedada; assim não é necessário fio de terra. Certifique-se sempre de que o fornecimento de energia corresponde à voltagem indicada na placa de especificações.

Funções

Esta ferramenta inclui algumas ou todas as seguintes funções.

1. Interruptor de velocidade variável
2. Botão de bloqueio
3. Selector do sentido da rotação
4. Selector de percussão/perfuração
5. Suporte da ferramenta
6. Punho lateral
7. Guia de profundidade

Montagem

Advertência! Antes da montagem, certifique-se de que a ferramenta está desligada da corrente eléctrica.

Colocação da pega lateral e da guia de profundidade (fig. A)

- ◆ Rode o punho para a esquerda até que consiga mover o manípulo lateral (6) para a frente da ferramenta como mostrado.
- ◆ Rode a pega lateral até à posição desejada.
- ◆ Introduza a guia de profundidade (7) no orifício de montagem como mostrado.
- ◆ Ajuste a guia de profundidade na posição desejada. A profundidade máxima de perfuração é igual à distância entre a ponta do berbequim e a extremidade frontal da guia de profundidade.
- ◆ Aperte a pega lateral girando o punho para a direita.

Montagem de um acessório SDS-plus® (fig. B)

- ◆ Limpe e lubrifique a haste (9) do acessório.
- ◆ Puxe a manga (10) e insira a haste no suporte da ferramenta (6).
- ◆ Empurre o acessório e rode-o ligeiramente até encaixar nas ranhuras.
- ◆ Empurre o acessório para verificar se está correctamente bloqueado. A função de perfuração necessita do acessório para pode mover-se axialmente vários centímetros quando o suporte da ferramenta é bloqueado.
- ◆ Para remover o acessório, puxe a manga (10) e retire o acessório.

KD970KA/KD980KA – Instalação da bucha com chave (fig. C)

- ◆ Instale a haste SDS-plus® (11) da bucha fornecida (12) no suporte da ferramenta como acima descrito.

Advertência! Nunca utilize buchas padrão no modo de perfuração.

Instalação dos acessórios na bucha com chave (fig. D)

- ◆ Abra a bucha rodando a manga (13).
- ◆ Introduza a broca (14) na bucha.
- ◆ Introduza a extremidade da chave (15) num dos três orifícios do corpo da bucha (16) para fixar a bucha.

Utilização


Advertência! Deixe que a ferramenta funcione à vontade. Não o sobrecarregue.

Advertência! Antes de furar paredes, pisos ou tectos, verifique a localização de fios e canos.


KD970 – Seleção do modo de operação (fig. E)

A ferramenta pode ser utilizada em dois modos de operação. Rode o selector de modo de perfuração (5) até à posição desejada, como indicado pelos símbolos.

Perfurar

- ◆ Para a perfuração em aço, madeira e plástico e para o aparafusamento, defina o selector de modo de operação (5) para a posição .
- ◆ Aquando do aparafusamento, inicie a baixa velocidade.


Perfurar

- ◆ Para a perfuração em maçonaria e betão, ajuste o selector do modo de operação (5) para a posição .
- ◆ Aquando da perfuração, a ferramenta não deverá saltar e deverá funcionar suavemente. Se necessário, aumente a velocidade.


KD980 – Seleção do modo de operação (fig. F)

A ferramenta pode ser utilizada em três modos de operação. Rode o selector de modo de perfuração (5) até à posição desejada, como indicado pelos símbolos.


Perfurar

- ◆ Para a perfuração em aço, madeira e plástico e para o aparafusamento, defina o selector de modo de operação (5) para a posição .
- ◆ Aquando do aparafusamento, inicie a baixa velocidade.

Perfurar

- ◆ Para a perfuração em maçonaria e betão, ajuste o selector do modo de operação (5) para a posição .
- ◆ Aquando da perfuração, a ferramenta não deverá saltar e deverá funcionar suavemente. Se necessário, aumente a velocidade.

Cinzelar

- ◆ Para cinzelar com o travamento do fuso, e para o desbastamento, defina o selector de modo de operação (5) para a posição .
- ◆ Assegure-se de que o interruptor de avanço/retrocesso está na posição de avanço.
- ◆ Aquando da mudança da perfuração para o cinzelamento, rode o cinzel até à posição desejada. Caso haja resistência durante a mudança de modo, rode ligeiramente o cinzel para engatar o travamento do fuso.

Seleção da direcção da rotação

Para perfurar, apertar parafusos e cinzelamento, utilize a rotação “avançar” (sentido horário). Para soltar parafusos ou remover uma broca presa, utilize a rotação “inverter” (sentido anti-horário).

- ◆ Para seleccionar a rotação para avançar, empurre o selector de reversibilidade (3) para a esquerda.
- ◆ Para seleccionar a rotação inversa, empurre o selector para a direita.

Advertência! Nunca mude a direcção da rotação com o motor a funcionar.

Ajuste da profundidade da perfuração (fig. G)

- ◆ Solte o punho lateral (6).
- ◆ Ajuste o batente de profundidade (7) na posição desejada. A profundidade máxima de perfuração é igual à distância entre a ponta do berbequim e a extremidade frontal da guia de profundidade.
- ◆ Aperte o punho lateral (6).

Ligação e desligação

- ◆ Para ligar a ferramenta, pressione o interruptor de velocidade variável (1). A velocidade da ferramenta depende de quanto se pressiona o interruptor.
- ◆ Para o funcionamento contínuo, prima o botão de bloqueio (2) e liberte o interruptor da velocidade variável. Esta opção está disponível apenas na rotação de avanço (sentido dos ponteiros do relógio).
- ◆ Para desligar a ferramenta, solte o interruptor de velocidade variável. Para desligar a ferramenta quando em funcionamento contínuo, prima uma vez no interruptor de ligar/desligar e liberte-o.

Acessórios

O desempenho da sua ferramenta depende dos acessórios utilizados. Os acessórios da Black & Decker e Piranha são fabricados de acordo com os mais altos padrões de qualidade e são concebidos para melhorar o desempenho da sua ferramenta. Ao utilizar estes acessórios, poderá tirar um maior partido da sua ferramenta.

Manutenção

Esta ferramenta foi desenvolvida para funcionar por um longo período, com um mínimo de manutenção. O funcionamento contínuo e satisfatório depende da limpeza regular e cuidado adequado da ferramenta.

- ◆ Limpe regularmente as ranhuras de ventilação com um pincel limpo e seco.
- ◆ Para alimpar a ferramenta, utilize apenas um pano embebido em sabão suave. Evite a entrada de qualquer líquido dentro da ferramenta e nunca coloque qualquer peça da ferramenta debaixo de qualquer líquido.

Protecção do meio ambiente



A Black & Decker oferece facilidades para a reciclagem de produtos Black & Decker uma vez que os mesmos tenham alcançado o final de suas vidas úteis.

Este serviço é fornecido sem encargos.

Para utilizá-lo, devolva o seu produto a qualquer agente de reparação autorizado, que se encarregará de recolher o equipamento em nosso nome.

Para verificar a localização do agente de reparação mais próximo de si, contacte o escritório local da Black & Decker no endereço indicado neste manual. Se preferir, consulte a lista de agentes autorizados da Black & Decker e os dados completos dos nossos serviços de atendimento pós-venda na Internet no endereço: www.2helpU.com

Dados técnicos

| | | KD970 | KD980 |
|---|-------------------|-----------|-----------|
| Voltagem | V _{AC} | 230 | 230 |
| Potência | W | 600 | 650 |
| Velocidade sem carga | min ⁻¹ | 0 - 1.000 | 0 - 1.000 |
| Velocidade com carga | min ⁻¹ | 0 - 820 | 0 - 820 |
| Taxa de impacto | min ⁻¹ | 0- 4.000 | 0- 4.000 |
| Energia do impacto | J | 2,0 | 2,2 |
| Suporte da ferramenta | | SDS-plus® | SDS-plus® |
| Capacidade máxima de perfuração | | | |
| Betão | mm | 22 | 24 |
| Aço | mm | 13 | 13 |
| Madeira | mm | 30 | 30 |
| Capacidade de furação com coroas perdutoras | mm | - | 65 |
| Cinzelar | | não | sim |
| Peso | kg | 2,3 | 2,3 |

Declaração de conformidade CE

KD970/KD980

A Black & Decker declara que estes produtos estão em conformidade com a:

98/37/CEE, 89/336/CEE, EN 60745, EN 55014

L_{PA} (pressão acústica) 97 dB(A), L_{WA} (potência acústica) 105 dB(A), vibração medida da mão/braço de 10 m/s²

K_{PA} (imprecisão da pressão acústica): 3 dB(A),

K_{WA} (imprecisão da potência acústica) 3 dB(A)

Kevin Hewitt
 Director de Engenharia do Consumo
 Spennymoor, County Durham DL16 6JG,
 Reino Unido
 1-6-2004

Garantia

A Black & Decker confia na qualidade de seus produtos e oferece um programa de garantia excelente. Esta declaração de garantia soma-se aos seus direitos legais e não os prejudica em nenhum aspecto. A garantia será válida nos territórios dos Estados Membros da União Europeia e na Área de Livre Comércio da Europa.

Caso algum produto da Black & Decker apresente avarias devido a defeitos de material, mão-de-obra ou ausência de conformidade no prazo de 24 meses a partir da data de compra, a Black & Decker garantirá a substituição das peças defeituosas, a reparação dos produtos que foram submetidos a uso adequado e remoção ou substituição dos mesmos para assegurar o mínimo de inconvenientes ao cliente a menos que:

- ◆ O produto tenha sido utilizado para fins comerciais, profissionais ou aluguer;
- ◆ O produto tenha sido submetido a uso incorrecto ou descuido;
- ◆ O produto tenha sofrido danos causados por objectos estranhos, substâncias ou acidentes;
- ◆ Tenha um histórico de reparações efectuadas por terceiros que não sejam os agentes autorizados ou profissionais de manutenção da Black & Decker.

Para activar a garantia, será necessário enviar a prova de compra ao revendedor ou agente de reparação autorizado. Para verificar a localização do agente de reparação mais próximo de si contacte o escritório local da Black & Decker no endereço indicado neste manual. Se preferir, consulte a lista de agentes autorizados da Black & Decker e os dados completos de nossos serviços de atendimento pós-venda na Internet no endereço: www.2helpU.com

Visite o nosso website www.blackanddecker.com para registar o seu novo produto Black & Decker e para se manter actualizado sobre novos produtos e ofertas especiais. Estão disponíveis mais informações sobre a Black & Decker e sobre a nossa gama de produtos em www.blackanddecker.com

Användningsområde

Din slagbormaskin från Black & Decker kan användas för borring i trä, metall, plast och murverk, och dessutom för skruvdragning.

Allmänna säkerhetsregler

Varning! Samtliga anvisningar ska läsas. Fel som uppstår till följd av att anvisningarna nedan inte följts kan orsaka elchock, brand och/eller allvarliga kroppsskador. Nedan använd begrepp "Elverktyg" hänför sig till nätdrivna elverktyg (med nätsladd) och till batteridrivna elverktyg (sladdlösa).
TA VÅL VARA PÅ SÄKERHETSANVISNINGARNA.

1. Arbetsområde

- a. **Håll arbetsplatsen ren och välbelyst.** Oordning på arbetsplatsen och dåligt belyst arbetsområde kan leda till olyckor.
- b. **Använd inte elverktyget i explosionsfarlig omgivning med brännbara vätskor, gaser eller damm.** Elverktyg alstrar gnistor som kan antända dammet eller gaserna.
- c. **Håll under arbetet med elverktyget barn och obehöriga personer på betryggande avstånd.** Om du störs av obehöriga personer kan du förlora kontrollen över elverktyget.

2. Elektrisk säkerhet

- a. **Elverktygets stickpropp måste passa till vägguttaget. Stickproppen får absolut inte förändras. Använd inte adapterkontakter tillsammans med skyddsjordade elverktyg.** Oförändrade stickproppar och passande vägguttag reducerar risken för elchock.
- b. **Undvik kroppskontakt med jordade ytor som t. ex. rör, värmeelement, spisar och kylskåp.** Det finns en större risk för elchock om din kropp är jordad.
- c. **Skydda elverktyget mot regn och väta.** Tränger vatten in i ett elverktyg ökar risken för elchock.
- d. **Misshandla inte nätsladden. Använd inte sladden för att bära eller hänga upp elverktyget och inte heller för att dra stickproppen ur vägguttaget. Håll nätsladden på avstånd från värme, olja, skarpa kanter och rörliga maskindelar.** Skadade eller tilltrasslade sladdar ökar risken för elchock.
- e. **Använd när du arbetar med ett elverktyg utomhus endast förlängningssladdar som är godkända för utomhusbruk.** Om en avsedd förlängningssladd för utomhusbruk används minskar risken för elchock.

3. Personlig säkerhet

- a. **Var uppmärksam, se på vad du gör och använd elverktyget med förnuft. Använd inte elverktyget när du är trött eller om du är påverkad av droger, alkohol eller mediciner.** Under användning av elverktyg kan även en kort uppmärksamhet leda till allvarliga kroppsskador.
 - b. **Använd personlig skyddsutrustning. Bär alltid skyddsglasögon.** Den personliga skyddsutrustningen som t.ex. dammfiltermask, halkfria säkerhetsskor, hjälm eller hörselskydd – med beaktande av elverktygets modell och driftsätt – reducerar risken för kroppsskada.
 - c. **Undvik oavsiktlig igångsättning. Kontrollera att strömbrytaren står i avstängt läge innan du kopplar elverktyget till nätet.** Det kan vara mycket farligt att bära ett elverktyg med fingret på strömbrytaren eller koppla det till nätet med strömbrytaren i till-läge.
 - d. **Ta bort alla inställningsverktyg och skruvnycklar innan du startar elverktyget.** Ett verktyg eller en nyckel i en roterande komponent kan medföra kroppsskada.
 - e. **Sträck dig inte för långt. Se till att du alltid har säkert fotfäste och balans.** På så sätt kan du lättare kontrollera elverktyget i oväntade situationer.
 - f. **Bär lämpliga kläder. Bär inte löst hängande kläder eller smycken. Håll hår, kläder och handskar undan från rörliga delar.** Löst hängande kläder, smycken och långt hår kan dras in av roterande delar.
 - g. **Vid elverktyg med dammsugnings- och - uppsamlingsutrustning kontrollera att anordningarna är rätt monterade och används på korrekt sätt.** Dessa anordningar reducerar riskerna i samband med damm.
- ### 4. Bruk och skötsel av elverktyg
- a. **Överbelasta inte elverktyget. Använd rätt elverktyg för det aktuella arbetet.** Med ett lämpligt elverktyg kan du arbeta bättre och säkrare inom angivet effektområde.
 - b. **Ett elverktyg med defekt strömbrytare får inte användas.** Ett elverktyg som inte kan kopplas till eller från är farligt och måste repareras.
 - c. **Dra stickproppen ur vägguttaget innan inställningar utförs, tillbehörsdelar byts ut eller elverktyget ställs undan.** Denna skyddsåtgärd förhindrar oavsiktlig inkoppling av elverktyget.
 - d. **Förvara elverktygen oåtkomliga för barn. Låt inte elverktyget användas av personer som inte är förtrogna med dess användning eller inte läst denna anvisning.** Elverktygen är farliga om de används av oerfarna personer.

- e. **Sköt elverktyget omsorgsfullt. Kontrollera att rörliga komponenter fungerar felfritt och inte kärvar, att komponenter inte brustit eller skadats och inget annat föreligger som kan påverka elverktygets funktioner. Låt skadade delar repareras innan elverktyget används på nytt.** Många olyckor orsakas av dåligt skötta elverktyg.
- f. **Håll skärverktyg skarpa och rena.** Omsorgsfullt skötta skärverktyg med skarpa eggar fastnar inte så lätt och går lättare att styra.
- g. **Använd elverktyget, tillbehör, insatsverktyg osv. enligt dessa anvisningar och på sätt som föreskrivs för aktuell verktygsmodell. Ta hänsyn till arbetsvillkoren och arbetsmomenten.** Används elverktyget på icke ändamålsenligt sätt kan farliga situationer uppstå.

5. Service

- a. **Låt elverktyget endast repareras av kvalificerad fackpersonal och med originalreservdelar.** Detta garanterar att elverktygets säkerhet bibehålls.

Elektrisk säkerhet



Eftersom verktyget är dubbelisolerat behövs ingen jordledare. Kontrollera alltid att spänningen på nätet överensstämmer med den spänning som finns angiven på märkplåten.

Detaljbeskrivning

Verktyget har en del eller samtliga av nedanstående funktioner.

1. Strömbrytare
2. Låsknapp
3. Reglage för höger-/vänstergång
4. Omkopplare för borrningsläge
5. Bits hållare
6. Sidohandtag
7. Djupanslag

Montering

Varning! Se till att verktyget är avstängt samt att det inte är anslutet innan monteringen börjar.

Montering av sidohandtaget och djupanslaget (fig. A)

- ◆ Vrid greppet motsols tills handtaget (6) kan skjutas på framtill på bormaskinen enligt bild.
- ◆ Vrid sidohandtaget till önskat läge.
- ◆ För in djupanslaget (7) i monteringshållet enligt bilden.
- ◆ Ställ djupanslaget i önskat läge. Det största borrhjulet motsvarar avståndet mellan spetsen på borrhjulet och djupanslagets framkant.
- ◆ Drag åt sidohandtaget genom att vrida greppet medsols.

Montering av ett SDS-plus® verktyg (fig. B)

- ◆ Rengör och smörj verktygets skaft (9).
- ◆ Drag kragen (10) bakåt och för in skaftet i bits hållaren (6).
- ◆ Tryck verktyget nedåt och vrid det något tills det passar i spåren.
- ◆ Drag i verktyget för att kontrollera att det sitter ordentligt. Hammarfunktionen kräver att verktyget kan förflyttas flera centimeter i längdriktningen medan det sitter i hållaren.
- ◆ Avlägsna verktyget genom att dra kragen (10) bakåt och dra ut verktyget.

KD970KA/KD980KA – Montering av nyckelchucken (fig. C)

- ◆ Montera SDS-plus®-skaftet (11) på den bifogade chocken (12) i bits hållaren enligt ovanstående beskrivning.

Varning! Använd aldrig en standardchuck för slagborrningsfunktionen.

Montering av verktyg i nyckelchucken (fig. D)

- ◆ Öppna chocken genom att vrida på hylsan (13).
- ◆ För in bits skaftet (14) i chocken.
- ◆ Sätt i chuckyckeln (15) i vart och ett av hålen (16) på sidan av chocken, och dra åt ordentligt.

Användning


Varning! Överbelasta inte maskinen, låt den arbeta i sin egen takt.

Varning! Kontrollera var de elektriska ledningarna och rörledningarna är installerade innan du borrar i väggar, golv och tak.

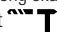
KD970 – Arbetsläge (fig. E)

Maskinen kan användas i två arbetslägen. Vrid funktionsväljaren (5) till önskat läge enligt symbolerna.

Borring

- ◆ För borring i stål, trä och plast och för skruvdragning ska funktionsväljaren (5) ställas i läget .
- ◆ Börja vid låg hastighet för skruvdragning.


Slagborring

- ◆ För slagborring i murverk och betong ska funktionsväljaren (5) ställas i läget .
- ◆ Vid slagborring ska maskinen löpa jämnt och inte studsas. Öka hastigheten om det behövs.


KD980 – Arbetsläge (fig. F)

Maskinen kan användas i tre arbetslägen. Vrid funktionsväljaren (5) till önskat läge enligt symbolerna.


Borrning

- ◆ För borrning i stål, trä och plast och för skruvdragning ska funktionsväljaren (5) ställas i läget .
- ◆ Börja vid låg hastighet för skruvdragning.

Slagborrning

- ◆ För slagborrning i murverk och betong ska funktionsväljaren (5) ställas i läget .
- ◆ Vid slagborrning ska maskinen löpa jämnt och inte studsa. Öka hastigheten om det behövs.

Mejsling

- ◆ För mejsling med rotationsstopp, och för lätt mejslingsarbete, ska funktionsväljaren (5) sättas i läget .
- ◆ Kontrollera att riktningväljaren står i framåtläge.
- ◆ Vrid mejseln i önskat läge när du byter från slagborrning till hammarfunktion. Om du känner motstånd vid ändring av läget vrider du bitset något tills rotationsspärren griper.

Höger-/vänstergång

När du borrar, drar i skruvar och mejslar ska verktyget rotera framåt (medurs). För att dra ur skruvar eller lossa ett borr som har kört fast, används rotation bakåt (moturs).

- ◆ Välj rotation framåt genom att föra reglaget (3) åt vänster.
- ◆ Välj rotation bakåt genom att föra reglaget åt höger.

Varning! Ändra aldrig rotationsriktning när motorn är igång.

Ställa in borrhjulet (fig. G)

- ◆ Lossa sidohandtaget (6).
- ◆ Ställ djupanslaget (7) i önskat läge. Det största borrhjulet motsvarar avståndet mellan spetsen på borbisset och djupanslagets framkant.
- ◆ Dra åt sidohandtaget (6).

Starta och stoppa verktyget

- ◆ Starta verktyget genom att trycka på strömbrytaren/hastighetskontrollen (1). Verktygets hastighet beror på hur långt brytaren trycks in.
- ◆ Tryck in låsknappen (2) och släpp strömbrytaren om du vill att verktyget ska gå hela tiden. Denna möjlighet finns endast i framåtläge (medsols).
- ◆ Stanna verktyget genom att släppa den steglösa strömbrytaren. För att stanna verktyget när det är inställt på kontinuerlig gång, så trycker du en gång till på strömbrytaren, och släpper sedan upp den.

Tillbehör

Verktygets användningsområde beror på vilket tillbehör du väljer. Black & Decker- och Piranhatillbehören är av hög kvalitet. Genom att använda dessa tillbehör kan du få ut mesta möjliga av verktyget.

Skötsel

Ditt verktyg har tillverkats för att fungera under lång tid med ett minimum av underhåll. Med rätt underhåll och regelbunden rengöring behåller verktyget sin prestanda.

- ◆ Rengör luftspringorna regelbundet med en ren och torr målarpensel.
- ◆ Använd enbart milda tvålmedel och en fuktig trasa för att rengöra verktyget. Låt aldrig vätska komma in i verktyget och låt verktyget (eller någon del) aldrig hamna i någon vätska.

Miljö



När din apparat är utsliten, skydda naturen genom att inte slänga det tillsammans med vanligt avfall. Lämna det till de uppsamlingsställen som finns i din kommun eller där du köpt apparaten.

Tekniska data

| | KD970 | KD980 |
|-------------------------------------|-----------------------------|-----------|
| Spänning | V _{AC} 230 | 230 |
| Ineffekt | W 600 | 650 |
| Obelastad hastighet | min ⁻¹ 0 - 1.000 | 0 - 1.000 |
| Belastad hastighet | min ⁻¹ 0 - 820 | 0 - 820 |
| Slagfrekvens | min ⁻¹ 0- 4.000 | 0- 4.000 |
| Slagkraft | J 2,0 | 2,2 |
| Bitshållare | SDS-plus® | SDS-plus® |
| Maximal borkkapacitet | | |
| Betong | mm 22 | 24 |
| Stål | mm 13 | 13 |
| Trä | mm 30 | 30 |
| Kapacitet kronborr i mjuk tegelsten | mm - | 65 |
| Mejsling | nej | ja |
| Vikt | kg 2,3 | 2,3 |

EC-förklaring om överensstämmelse

KD970/KD980

Black & Decker förklarar att dessa produkter överensstämmer med:

98/37/EEG, 89/336/EEG, EN 60745, EN 55014

L_{PA} (bullertryck) 97 dB(A), L_{WA} (akustisk effekt) 105 dB(A),
vägt geometriskt vibrationsvärde hand/arm 10 m/s²

K_{PA} (osäkerhet bullertryck): 3 dB(A),
K_{WA} (osäkerhet akustisk effekt) 3 dB(A)



Kevin Hewitt
 Director of Consumer Engineering
 Spennymoor, County Durham DL16 6JG,
 Storbritannien
 1-6-2004

Reservdelar / reparationer

Reservdelar finns att köpa hos auktoriserade Black & Decker verkstäder, som även ger kostnadsförslag och reparerar våra produkter.

Förteckning över våra auktoriserade verkstäder finns på Internet, vår hemsida **www.blackanddecker.se** samt **www.2helpU.com**

Garanti

Black & Decker garanterar att produkten är fri från material- och/eller fabrikationsfel vid leverans till kund. Garantin är i tillägg till konsumentens lagliga rättigheter och påverkar inte dessa. Garantin gäller inom medlemsstaterna i Europeiska Unionen och i det Europeiska Frihandelsområdet.

Om en Black & Decker produkt går sönder på grund av material- och/eller fabrikationsfel eller brister i överensstämmelse med specifikationen, inom 24 månader från köpet, åtar sig Black & Decker att reparera eller byta ut produkten med minsta besvär för kunden.

Garantin gäller inte för fel som beror på:

- ◆ normalt slitage
- ◆ felaktig användning eller skötsel
- ◆ att produkten skadats av främmande föremål, ämnen eller genom olyckshändelse

Garantin gäller inte om reparation har utförts av någon annan än en auktoriserad Black & Decker verkstad.

För att utnyttja garantin skall produkten och inköpskvittot lämnas till återförsäljaren eller till en auktoriserad verkstad senast 2 månader efter det att felet har upptäckts.

För information om närmaste auktoriserad verkstad; kontakta det lokala Black & Decker kontoret på den adress som är angiven i bruksanvisningen. En lista på alla auktoriserade verkstäder samt servicevillkor finns även tillgängligt på Internet, adress: **www.2helpU.com**

Besök vår webbplats **www.blackanddecker.se** för att registrera din nya Black & Decker-produkt samt för att erhålla information om nya produkter och specialerbjudanden.

Vidare information om märket Black & Decker och vårt produktsortiment kan återfinnas på **www.blackanddecker.se**

Bruksområde

Din roterende hammerdrill fra Black & Decker er utformet for boring i tre, metall, plast og murverk, samt bruk som skrutrekker og for lett meisling.

Generelle sikkerhetsforskrifter

Advarsel! Les gjennom alle anvisningene. Hvis anvisningene nedenfor ikke overholdes, kan det medføre elektrisk støt, brann og/eller alvorlige skader. Uttrykket «elektroverktøy» i alle advarselene nedenfor gjelder for strømdrevne elektroverktøy (med ledning) og batteridrevne elektroverktøy (uten ledning). **TA GODT VARE PÅ DISSE ANVISNINGENE.**

1. Arbeidsplassen

- Hold arbeidsområdet rent og godt opplyst.**
Rotete arbeidsområder og arbeidsområder uten godt lys kan føre til ulykker.
- Ikke arbeid med elektroverktøy i eksplosjonsfarlige omgivelser – der det befinner seg brennbare væsker, gass eller støv.** Elektroverktøy forårsaker gnister som kan antenne støv eller damper.
- Hold barn og andre personer unna når elektroverktøyet brukes.** Hvis du blir forstyrret under arbeidet, kan du miste kontrollen.

2. Elektrisk sikkerhet

- Støpselet til elektroverktøyet må passe inn i stikkkontakten. Støpselet må ikke forandres på noen som helst måte. Ikke bruk adapterstøpsler sammen med jordete elektroverktøy.** Bruk av originale støpsler og passende stikkontakter reduserer risikoen for elektrisk støt.
- Unngå kroppskontakt med jordete overflater som rør, radiatorer, komfyrer og kjøleskap.** Det er større fare for elektrisk støt hvis kroppen din er jordet.
- Hold elektroverktøy unna regn eller fuktighet.** Dersom det kommer vann i et elektroverktøy, øker risikoen for elektrisk støt.
- Unngå uforvarlig behandling av ledningen. Elektroverktøyet må aldri bæres eller trekkes etter ledningen, og trekk heller ikke ut støpselet ved å rykke i ledningen. Hold ledningen unna varme, olje, skarpe kanter eller bevegelige deler.** Med skadde eller sammenflokete ledninger øker risikoen for elektrisk støt.
- Når du arbeider utendørs med et elektroverktøy, må du kun bruke en skjøteledning som er godkjent til utendørs bruk.** Ved å bruke en skjøteledning som er egnet for utendørs bruk, reduseres risikoen for elektrisk støt.

3. Personikkerhet

- Vær oppmerksom, pass på hva du gjør og gå fornuftig fram når du arbeider med et elektroverktøy. Ikke bruk elektroverktøy når du er trett eller er påvirket av narkotika, alkohol eller medikamenter.** Et øyeblikks uoppmerksomhet under bruk av verktøyet kan føre til alvorlige personskader.
 - Bruk personlig verneutstyr. Bruk alltid vernebriller.** Bruk av personlig verneutstyr, for eksempel støvmaske, sklisikre vernesko, hjelm eller hørselsvern som passer til forholdene, reduserer risikoen for personskader.
 - Unngå utilsiktet start av elektroverktøyet. Påse at bryteren står i posisjon "AV" før verktøyet koples til.** Det kan føre til ulykker hvis du bærer elektroverktøyet med fingeren på bryteren, eller kopler til verktøyet når bryteren ikke står i posisjon "AV".
 - Fjern innstillingsverktøy eller skrunøkler før du slår på elektroverktøyet.** Et verktøy eller en nøkkel som befinner seg i en roterende del, kan føre til personskade.
 - Ikke strekk deg for langt. Pass på at du alltid har sikkert fotfeste og god balanse.** Da kan du kontrollere elektroverktøyet bedre i uventede situasjoner.
 - Bruk alltid egnede klær. Ikke bruk løstsittende klær eller smykker. Hold hår, klær og hanser unna bevegelige deler.** Løstsittende tøy, smykker eller langt hår kan komme inn i bevegelige deler.
 - Hvis det kan monteres støvavsug- og oppsamlingsinnretninger, må du forvise deg om at disse er tilkoblet og brukes på korrekt måte.** Bruk av disse innretningene reduserer faren i forbindelse med støv.
- ### 4. Aktsom håndtering og bruk av elektroverktøy
- Ikke bruk makt på elektroverktøyet. Bruk et elektroverktøy som er beregnet på den type arbeid du vil utføre.** Med et passende elektroverktøy arbeider du bedre og sikrere i det angitte effektområdet.
 - Ikke bruk elektroverktøy med defekt strømbryter.** Et elektroverktøy som ikke lenger kan slås av eller på med bryteren, er farlig og må repareres.
 - Trekk støpselet ut av stikkkontakten før du utfører innstillinger på elektroverktøyet, skifter tilbehørsdeler eller legger elektroverktøyet bort.** Disse tiltakene reduserer risikoen for en utilsiktet start av elektroverktøyet.
 - Elektroverktøy som ikke er i bruk, må oppbevares utilgjengelig for barn. Ikke la verktøyet brukes av personer som ikke er fortrolig med dette, eller som ikke har lest disse bruksanvisningene.** Elektroverktøy er farlige når de brukes av uerfarne personer.

- e. **Vær nøye med vedlikehold av elektroverktøy.** **Kontroller om bevegelige deler fungerer feilfritt og ikke klemmes fast, om deler er brukket eller skadet og andre forhold som kan innvirke på elektroverktøets funksjon. Hvis elektroverktøyet er skadet, må det repareres før bruk.** Dårlig vedlikeholdte elektroverktøy er årsaken til mange uhell.
- f. **Hold skjæreverktøy skarpe og rene.** Godt vedlikeholdte skjæreverktøy med skarpe egger setter seg ikke så ofte fast og er lettere å føre.
- g. **Bruk elektroverktøy, tilbehør, bits osv. i henhold til disse anvisningene og slik det er foreskrevet for denne spesielle verktøytypen. Ta hensyn til arbeidsforholdene og arbeidet som skal utføres.** Bruk av elektroverktøy til andre formål enn det som er angitt, kan føre til farlige situasjoner.

5. Service

- a. **Elektroverktøyet ditt skal alltid repareres av kvalifisert personell og kun med originale reservedeler.** Dette forsikrer at elektroverktøets sikkerhet opprettholdes.

Elektrisk sikkerhet



Dette verktøyet er dobbeltisolert. Jordet ledning er derfor ikke nødvendig. Kontroller at nettspenningen er i overensstemmelse med spenningen på typeskiltet.

Funksjoner

Dette verktøyet har noen av eller alle følgende funksjoner.

1. Trinnløs strømbryter
2. Låseknapp
3. Bryter for høyre-/venstregange
4. Velger for boremodus
5. Verktøyholder
6. Sidehåndtak
7. Dybdestopp

Montering

Advarsel! Før monteringen, må du passe på at verktøyet er slått av og at kontakten er trukket ut.

Sette på sidehåndtaket og dybdestoppet (fig. A)

- ◆ Drei grepet mot klokken til du kan skyve sidehåndtaket (6) inn på forsiden av verktøyet, som vist.
- ◆ Drei sidehåndtaket til ønsket posisjon.
- ◆ Sett dypdestoppet (7) inn i festeområdet, som vist.
- ◆ Still dybdestoppet til ønsket posisjon. Største boreddybde tilsvarer avstanden mellom tuppen av boret og forsiden av dybdestoppet.
- ◆ Stram sidehåndtaket ved å dreie det med klokken.

Hvordan SDS-plus®-tilbehør settes i (fig. B)

- ◆ Rengjør skaftet (9) på tilbehøret og sett det inn med smørefett.
- ◆ Trekk tilbake kragen (10) og sett skaftet inn i verktøyholderen (6).
- ◆ Skyv tilbehøret ned og vri det forsiktig til det passer i sporene.
- ◆ Trekk i tilbehøret for å finne ut om det sitter skikkelig. Slagborfunksjonen krever at tilbehøret må kunne bevegges flere centimetre aksialt når det er festet i verktøyholderen.
- ◆ Tilbehøret kan fjernes ved at du trekker tilbake kragen (10) og trekker det ut.

KD970KA/KD980KA – Montere chuck med nøkkel (fig. C)

- ◆ Monter SDS-plus®-skaftet (11) til den chucken (12) som fulgte med, i verktøyholderen, som beskrevet ovenfor.

Advarsel! Bruk aldri standardchucker i slagbormodus.

Montering av tilbehøret i chucken med nøkkel (fig. D)

- ◆ Åpne chucken ved å dreie på hylsen (13).
- ◆ Sett tilbehøret (14) inn i chucken.
- ◆ Sett chucknøkkelen (15) inn i hvert av hullene (16) på siden av chucken, og drei til det er stramt.

Bruk


Advarsel! La verktøyet jobbe med sin egen hastighet. Ikke overbelast det.

Advarsel! Før boring i vegger, gulv eller tak, må du undersøke hvor ledninger og rør befinner seg.


KD970 – Velge driftsmodus (fig. E)

Verktøyet kan brukes i to driftsmodi. Roter drillmodusvelgeren (5) mot den påkrevde posisjonen, som vist med symbolene.

Boring

- ◆ Ved boring i stål og treverk og for bruk som skrutrekker, stilles driftsmodusvelgeren (5) til posisjonen .
- ◆ Når drillen skal brukes som skrutrekker, må du starte med lav hastighet.

Bruke slagbor

- ◆ Ved bruk av slagbor i murverk og betong stilles driftsmodusvelgeren (5) til posisjonen .
- ◆ Ved bruk av slagboret, skal verktøyet gå jevnt, uten å hoppe. Øk hastigheten, om nødvendig.

KD980 – Valg av driftsmodus (fig. F)

Verktøyet kan brukes i tre driftsmodi. Roter drillmodusvelgeren (5) mot den påkrevde posisjonen, som vist med symbolene.

Boring

- Ved boring i stål og treverk og for bruk som skrutrekker, stilles driftsmodusvelgeren (5) til posisjonen **1**.
- Når drillen skal brukes som skrutrekker, må du starte med lav hastighet.

Bruke slagbor

- Ved bruk av slagbor i murverk og betong stilles driftsmodusvelgeren (5) til posisjonen **T**.
- Ved bruk av slagboret, skal verktøyet gå jevnt, uten å hoppe. Øk hastigheten, om nødvendig.

Meisling

- For meisling med spindellås og for lett og avsponing må du stille driftsmodusvelgeren (5) i posisjonen **T**.
- Kontroller at bryteren for høyre-/venstregange står på forover.
- Når du går over fra bruk av slagbor til meisling, må du vri meiselen til den ønskede posisjonen.
Hvis det kjennes motstand i verktøyet ved endring av driftsmodus, må meiselen vriss litt, slik at spindelen går i lås.

Høyre-/venstregange

Til boring, insetting av skruer og meisling skal verktøyet rotere forover (med klokken). For å løsne skruer eller fjerne et blokkert bor bruker du rotasjon bakover (mot klokken).

- For å velge rotasjon forover trykker du bryteren (3) mot venstre.
- For å velge rotasjon bakover trykker du bryteren mot høyre.

Advarsel! Du må aldri bytte rotasjonsretning mens motoren er i gang.

Stille inn bordybden (fig. G)

- Løsne på sidehåndtaket (6)
- Still dybdestoppet (7) til ønsket posisjon. Største boreddybde tilsvarer avstanden mellom tuppen av boret og forsiden av dybdestoppet.
- Stram sidehåndtaket (6)

Strømbryter

- Trykk på den trinnløse strømbryteren (1) for å slå verktøyet på. Verktøyet hastighet er avhengig av hvor langt inn du trykker bryteren.
- Trykk på låseknappen (2) for kontinuerlig drift, og slipp strømbryteren. Dette alternativet er bare tilgjengelig ved rotasjon forover (med klokken).
- Slipp strømbryteren for å slå verktøyet av. Slå av verktøyet når det er i kontinuerlig drift ved å trykke en gang til på strømbryteren og slippe den.

Tilbehør

Verktøyet bruksområde er avhengig av hvilket tilbehør du velger. Tilbehør fra Black & Decker og Piranha er utformet i henhold til høye kvalitetsstandarder og er utformet for å gi optimal ytelse ved bruk sammen med ditt verktøy. Når du bruker dette tilbehøret, får du optimal ytelse fra ditt verktøy.

Vedlikehold

Verktøyet ditt er utformet for å være i drift over en lang periode med et minimum av vedlikehold. Med riktig vedlikehold og regelmessig rengjøring beholder verktøyet ytelsen.

- Rengjør ventilasjonsåpningene regelmessig med en ren, tørr malerkost.
- Bruk kun mild såpe og fuktig klut ved rengjøring av verktøyet. Pass på at det ikke kommer væske inn i verktøyet, og ikke dypp noen deler av verktøyet i væske.

Miljø



Når verktøyet ditt er utslitt, beskytt naturen ved ikke å kaste det sammen med vanlig avfall. Lever det til en oppsamlingsplass som finnes i din kommune eller der hvor du kjøpte verktøyet.

Tekniske data

| | KD970 | KD980 |
|--------------------------|-----------------------------|-----------|
| Spenning | V _{AC} 230 | 230 |
| Inn-effekt | W 600 | 650 |
| Hastighet ubelastet | min ⁻¹ 0 - 1.000 | 0 - 1.000 |
| Hastighet belastet | min ⁻¹ 0 - 820 | 0 - 820 |
| Slagfrekvens | min ⁻¹ 0- 4.000 | 0- 4.000 |
| Slagenergi | J 2,0 | 2,2 |
| Verktøyholder | SDS-plus® | SDS-plus® |
| Maks. borekapasitet | | |
| Betong | mm 22 | 24 |
| Stål | mm 13 | 13 |
| Tre | mm 30 | 30 |
| Kjerneboringskapasitet I | | |
| bløt murstein | mm - | 65 |
| Meisling | nei | ja |
| Vekt | kg 2,3 | 2,3 |

Samsvarserklæring for EU

KD970/KD980

Black & Decker erklærer at disse produktene overholder:
98/37/EØF, 89/336/EØF, EN 60745, EN 55014

L_{PA} (lydtrykk) 97 dB(A), L_{WA} (akustisk effekt) 105 dB(A),
hånd/arm-vektet vibrasjon 10 m/s²

K_{PA} (lydtrykksusikkerhet): 3 dB(A),
K_{WA} (usikkerhet i akustisk effekt) 3 dB(A)



Kevin Hewitt
Adm. dir. for forbrukerteknikk
Spennymoor, County Durham DL16 6JG,
Storbritannia
1-6-2004

Vennligst stikk innom våre nettsider på www.blackanddecker.no for å registrere ditt nye Black & Decker-produkt og for å holde deg oppdatert om nye produkter og spesialtilbud. Du finner mer informasjon om Black & Decker og produktutvalget vårt på www.blackanddecker.no

Reservdeler / reparasjoner

Reservdeler kan kjøpes hos autoriserte Black & Decker serviceverksteder, som også gir kostnadsoverslag og reparerer våre produkter.

Oversikt over våre autoriserte serviceverksteder finnes på Internet, vår hjemmeside www.blackanddecker.no samt www.2helpU.com

Garanti

Black & Decker garanterer at produktet ikke har material- og/eller fabrikkasjonsfeil ved levering til kunde. Garantien er i tillegg til kundens lovlige rettigheter og påvirker ikke disse. Garantien gjelder innen medlemsstatene i den Europeiske Unionen og i det Europeiske Frihandelsområdet.

Hvis et Black & Decker produkt går i stykker på grunn av material- og/eller fabrikkasjonsfeil eller har mangler i forhold til spesifikasjonene, innen 24 måneder fra kjøpet, påtar Black & Decker seg å reparere eller bytte ut produktet med minst mulig vanskelighet for kunden.

Garantien gjelder ikke for feil som kommer av:

- ◆ normal slittasje
- ◆ feilaktig bruk eller vedlikehold (mislighold)
- ◆ at produktet har blitt skadet av fremmede gjenstander, emner eller ved et uhell

Det gjøres oppmerksom på at produktet ikke er beregnet på industriell/profesjonell/yrkesmessig bruk, men til hus- og hjemmebruk.

Garantien gjelder ikke om reparasjoner har blitt utført av noen andre enn et autorisert Black & Decker serviceverksted.

For å ta garantien i bruk skal produktet og kjøpekvitteing leveres til forhandleren eller til et autorisert serviceverksted senest 2 måneder etter at feilen har blitt oppdaget.

For informasjon om nærmeste autoriserte serviceverksted; kontakt det lokale Black & Decker kontoret på den adressen som er angitt i bruksanvisningen. En oversikt over alle autoriserte serviceverksteder samt servicevilkår finnes også tilgjengelig på Internet, adresse: www.2helpU.com

Anvendelsesområde

Din Black & Decker rotationsborehammer er designet til at bore i træ, metal, plastic og murværk samt til skruetrækning og let mejsling.

Generelle sikkerhedsregler

Advarsel! Læs alle instrukserne. Hvis nedenstående instrukser ikke følges, er der risiko for elektrisk stød, brand og/eller alvorlige personskader. Det benyttede begreb "el-værktøj" i nedennævnte advarsler refererer til netdrevne (med tilslutningsledning) eller batteridrevne maskiner (uden tilslutningsledning).

DISSE INSTRUKSER BØR OPBEVARES TIL SENERE BRUG.

1. Arbejdsområde

a. Sørg for, at arbejdsområdet er rent og ryddeligt.

Uordentlige og uoplyste arbejdsområder øger faren for uheld.

b. Brug ikke el-værktøj i eksplosionstruede omgivelser, f.eks. hvor der er brændbare væsker, gasser eller støv. El-værktøj kan slå gnister, der kan antænde støv eller dampe.

c. Sørg for, at børn og andre personer holder sig på afstand, når el-værktøjet er i brug. Hvis man distraheres, kan man miste kontrollen over maskinen.

2. El-sikkerhed

a. El-værktøjsstik skal passe til kontakten. Stikket må under ingen omstændigheder ændres. Brug ikke adapterstik sammen med jordforbundet el-værktøj.

Uændrede stik, der passer til kontakterne, nedsætter risikoen for elektrisk stød.

b. Undgå kropskontakt med jordforbundne overflader som f.eks. rør, radiatorer, komfurer og køleskabe.

Hvis din krop er jordforbundet, øges risikoen for elektrisk stød.

c. El-værktøj må ikke udsættes for regn eller fugt.

Indtrængen af vand i el-værktøj øger risikoen for elektrisk stød.

d. Undgå at ødelægge ledningen. Undgå at bære, trække eller afbryde el-værktøjet ved at rykke i ledningen. Beskyt ledningen mod varme, olie, skarpe kanter eller maskindele, der er i bevægelse.

Beskadigede eller indviklede ledninger øger risikoen for elektrisk stød.

e. Hvis el-værktøj benyttes i det fri, skal der benyttes en forlængerledning, som er godkendt til udendørs brug.

Brug af en forlængerledning til udendørs brug nedsætter risikoen for elektrisk stød.

3. Personlig sikkerhed

- Det er vigtigt at være opmærksom, holde øje med, hvad man laver og bruge el-værktøjet fornuftigt. Man bør ikke bruge maskinen, hvis man er træt, har nydt alkohol eller er påvirket af medicin eller euforiserende stoffer.** Få sekunders uopmærksomhed ved brug af el-værktøjet kan føre til alvorlige personskader.
 - Brug sikkerhedsudstyr. Brug altid beskyttelsesbriller.** Brug af sikkerhedsudstyr som f.eks. støvmaske, skridsikkert fodtøj, beskyttelseshjelm eller høreværn afhængigt af maskintype og anvendelse nedsætter risikoen for personskader.
 - Undgå utilsigtet igangsætning. Sørg for, at el-værktøjets afbryder er på off, før det sluttes til strømmen.** Hvis man bærer el-værktøj med fingeren på afbryderen, eller hvis man slutter værktøjet til strømmen, mens afbryderen er på on, er der risiko for ulykker.
 - Fjern indstillingsværktøj eller skrueøgle, inden el-værktøjet tændes.** Et værktøj eller en nøgle, der efterlades i en roterende del i el-værktøjet, kan resultere i personskader.
 - Overvurder ikke dig selv. Sørg for, at du altid har sikkert fodfæste og balance.** Det gør det nemmere at kontrollere el-værktøjet, hvis der skulle opstå uventede situationer.
 - Brug egnet arbejdstøj. Undgå løse beklædningsgenstande eller smykker. Hold hår, tøj og handsker væk fra dele, der bevæger sig.** Bevægelige dele kan gribe fat i løstsiddende tøj, smykker eller langt hår.
 - Hvis støvsugnings- og opsamlingsudstyr kan monteres, er det vigtigt, at dette tilsluttes og benyttes korrekt.** Brug af dette udstyr nedsætter risikoen for personskader som følge af støv.
- ### 4. Brug og vedligeholdelse af el-værktøj
- Undgå at overbelaste el-værktøjet. Brug altid det rette el-værktøj til opgaven.** Med det rigtige el-værktøj udføres arbejdet lettere og sikrere inden for det angivne effektområde.
 - Brug ikke el-værktøjet, hvis afbryderen er defekt.** El-værktøj, der ikke kan kontrolleres med afbryderen, er farligt og skal repareres.
 - Træk stikket ud af stikkontakten inden indstilling, tilbehørsudskiftning eller opbevaring af el-værktøjet.** Disse sikkerhedsforanstaltninger reducerer risikoen for utilsigtet start af værktøjet.
 - Opbevar ubenyttet el-værktøj uden for børns rækkevidde. Lad aldrig personer, der ikke er fortrolige med el-værktøj, eller som ikke har gennemlæst disse instrukser, benytte maskinen.** El-værktøj er farligt, hvis det benyttes af ukyndige personer.

- e. **El-værktøj bør vedligeholdes omhyggeligt.**
Kontroller, om bevægelige dele fungerer korrekt og ikke sidder fast, og om delene er brækket eller beskadiget, således at el-værktøjets funktion påvirkes. Få beskadede dele repareret, inden el-værktøjet tages i brug. Mange uheld skyldes dårligt vedligeholdt el-værktøj.
- f. **Sørg for, at skæreværktøjer er skarpe og rene.**
 Omhyggeligt vedligeholdt skæreværktøjer med skarpe skærekanten sætter sig ikke så hurtigt fast og er nemmere at føre.
- g. **Brug el-værktøj, tilbehør, indsatsværktøj osv. i overensstemmelse med disse instrukser, og sådan som det kræves for denne specielle værktøjstype. Tag hensyn til arbejdsforholdene og det arbejde, der skal udføres.** I tilfælde af anvendelse af el-værktøjet til formål, som ligger uden for det fastsatte anvendelsesområde, kan der opstå farlige situationer.
5. **Service**
- a. **Sørg for, at el-værktøjet kun repareres af kvalificerede fagfolk, og at der kun benyttes originale reservedele.**
 Dermed opretholdes el-værktøjets sikkerhed.

Elektrisk sikkerhed



Værktøjet er dobbelt isoleret; derfor er jordledning ikke nødvendig. Kontrollér altid, at strømforsyningen svarer til spændingen på typeskiltet.

Funktioner

Dette værktøj har nogle af eller alle følgende funktioner:

1. Strømafbryder med variabel hastighedskontrol
2. Låseknop
3. Knap til indstilling af fremad/bagud kørsel
4. Boremodusvælger
5. Værktøjsholder
6. Sidehåndtag
7. Dybdestop

Montering

Advarsel! Før montering skal man sikre sig, at værktøjet er slukket og taget ud af stikkontakten.

Montering af sidehåndtaget og dybdestoppet (fig. A)

- ◆ Drej håndtaget mod uret, indtil du kan skubbe sidehåndtaget (6) på værktøjets front som vist.
- ◆ Drej sidehåndtaget i den ønskede position.
- ◆ Sæt dybdestoppet (7) i monteringshullet som vist.
- ◆ Indstil dybdestoppet til den ønskede position.
Den maksimale boreddybde er lig med afstanden mellem borebittens spids og dybdestoppets forende.
- ◆ Stram sidehåndtaget ved at dreje håndtaget med uret.

Isætning af SDS-plus®-tilbehør (fig. B)

- ◆ Rens og smør tilbehørets aksel (9).
- ◆ Træk manchetten (10) tilbage, og indsæt akslen i værktøjsholderen (6).
- ◆ Tryk tilbehøret ned og drej det let, til det går på plads i rillerne.
- ◆ Træk i tilbehøret for at kontrollere, at det er ordentligt fastlåst. Slagfunktionen kræver, at tilbehøret kan rykke flere centimeter i akslens retning, når det sidder låst fast i værktøjsholderen.
- ◆ Demontér tilbehøret ved først at trække manchetten (10) tilbage og derefter trække tilbehøret ud.

KD970KA/KD980KA – Montering af borepatron med nøgle (fig. C)

- ◆ Fastgør SDS-plus®-akslen (11) til den medfølgende patron (12) i værktøjsholderen som beskrevet ovenfor.

Advarsel! Brug aldrig standardpatroner i slagboringsmodus.

Montering af tilbehør i borepatronen med nøgle (fig. D)

- ◆ Åbn patronen ved at dreje på manchetten (13).
- ◆ Sæt bittens stang (14) ind i patronen.
- ◆ Sæt patronnøglen (15) i hvert hul (16) i siden af patronen og drej indtil den er stram.

Anvendelse


Advarsel! Lad værktøjet arbejde i dets eget tempo. Det må ikke overbelastes.

Advarsel! Før der bores i vægge, gulve eller lofter checkes ledningers og rørs placering.


KD970 – Valg af driftsmodus (fig. E)

Dette værktøj kan bruges i to forskellige driftsmodes. Drej boremodusvælgeren (5) til den ønskede stilling som symbolerne angiver.

Boring

- ◆ Ved boring i stål, træ og plastik og ved skruetrækning indstilles driftsmodusvælgeren (5) til positionen .
- ◆ Ved skruetrækning startes ved lav hastighed.

Slagboring

- ◆ Ved slagboring i murværk og beton indstilles driftsmodusvælgeren (5) på positionen .
- ◆ Ved slagboring må værktøjet ikke springe tilbage, og det skal køre jævnt. Øg eventuelt hastigheden.


KD980 – Valg af driftsmode (fig. F)

Dette værktøj kan bruges i tre forskellige driftsmodes. Drej boremodusvælgeren (5) til den ønskede stilling som symbolerne angiver.


Boring

- Ved boring i stål, træ og plastik og ved skruetrækning indstilles driftsmodusvælgeren (5) til positionen .
- Ved skruetrækning startes ved lav hastighed.

Slagboring

- Ved slagboring i murværk og beton indstilles driftsmodusvælgeren (5) på positionen .
- Ved slagboring må værktøjet ikke springe tilbage, og det skal køre jævnt. Øg eventuelt hastigheden.

Mejsling

- Ved mejsling med spindellås og ved let høvling indstilles driftsmodusvælgeren (5) til positionen ud for .
- Sørg for, at frem/tilbage kontakten er i positionen frem.
- Når der skal skiftes fra slagboring til mejsling, drejes mejslen til den ønskede position. Hvis der er modstand ved modusændringen, drejes mejslen let for at gribe fat i spindellåsen.

Valg af drejeretning

Til boring, straming af skruer og mejsling benyttes fremadrotation (med uret). Til løsning af skruer eller fjernelse af blokerede borebits bruges bagudrotation (mod uret).

- Vælg fremadrotation ved at skubbe fremad/bagud skyderen (3) til venstre.
- Vælg bagudrotation ved at skubbe fremad/bagud skyderen til højre.

Advarsel! Skift aldrig rotationsretning, mens motoren kører.

Indstilling af boreddybden (fig. G)

- Løsn sidehåndtaget (6).
- Indstil dybdestoppet (7) til den ønskede position. Den maksimale boreddybde er lig med afstanden mellem borebittens spids og dybdestoppets forende.
- Stram sidehåndtaget (6).

Tænding og slukning

- Tænd værktøjet ved at trykke på kontakten til variabel hastighed (1). Værktøjets hastighed afhænger af, hvor langt ind man trykker afbryderen.
- Værktøjet sættes til vedvarende drift ved at trykke på låseknappen (2) og slippe kontakten til variabel hastighed. Denne funktion kan kun bruges til fremadrotation (med uret).

- Sluk værktøjet ved at slippe kontakten til variabel hastighed. Sluk for værktøjet, mens det arbejder i vedvarende drift ved at trykke kontakten til variabel hastighed ind én gang til og derefter slippe den.

Tilbehør

Værktøjets ydeevne afhænger af, hvilket tilbehør der bruges. Black & Decker og Piranha tilbehør er konstrueret, så det opfylder høje kvalitetsstandarder, og det er beregnet til at forbedre værktøjets ydeevne. Bruger du dette tilbehør, vil du få det allerbedste ud af værktøjet.

Vedligeholdelse

Værktøjet er beregnet til at være i drift gennem en længere periode med minimal vedligeholdelse. Forsat tilfredsstillende drift afhænger af korrekt behandling af værktøjet samt regelmæssig rengøring.

- Rengør regelmæssigt ventilationsrillerne med en ren, tør pensel.
- Brug kun mild sæbe på en fugtig klud til rengøring af værktøjet. Der må ikke trænges væske ind i værktøjet, og værktøjet må hverken helt eller delvist neddypes i væske.

Miljø



Når dit værktøj er udtjent, beskyt da naturen ved ikke at smide det ud sammen med det almindelige affald. Aflever det på den genbrugsstation, der findes i din kommune eller der hvor værktøjet er købt.

Tekniske data

| | KD970 | KD980 |
|------------------------------------|-----------------------------|-----------|
| Spænding | V _{AC} 230 | 230 |
| Motoreffekt | W 600 | 650 |
| Ubelastet hastighed | min ⁻¹ 0 - 1.000 | 0 - 1.000 |
| Belastet hastighed | min ⁻¹ 0 - 820 | 0 - 820 |
| Slaghastighed | min ⁻¹ 0 - 4.000 | 0 - 4.000 |
| Slagenergi | J 2,0 | 2,2 |
| Værktøjsholder | SDS-plus® | SDS-plus® |
| Maks. borekapacitet | | |
| Beton | mm 22 | 24 |
| Stål | mm 13 | 13 |
| Træ | mm 30 | 30 |
| Kerneboringskapacitet i bløde sten | mm - | 65 |
| Mejsling | nej | ja |
| Vægt | kg 2,3 | 2,3 |

EU overensstemmelseserklæring

KD970/KD980

Black & Decker erklærer, at disse produkter er i overensstemmelse med følgende:

98/37/EØF, 89/336/EØF, EN 60745, EN 55014

L_{pA} (lydtryk) 97 dB(A), L_{WA} (lydintensitet) 105 dB(A), hånd/arm vægтет vibration 10 m/s²

K_{pA} (lydtryk usikkerhed): 3 dB(A),

K_{WA} (lydintensitet usikkerhed) 3 dB(A)



Kevin Hewitt
 Director of Consumer Engineering
 Spennymoor, County Durham DL16 6JG,
 Storbritannien
 1-6-2004

For at udnytte garantien skal produktet og købskvitteringen indleveres til forhandleren eller til et autoriseret værksted, senest 2 måneder efter at fejlen opdages. For information om nærmeste autoriserede værksted: kontakt det lokale Black & Decker kontor på den adresse som er opgivet i brugsanvisningen. Liste over alle autoriserede Black & Decker serviceværksteder samt servicevilkår er tilgængelig på internettet, på adressen **www.2helpU.com**

Gå venligst ind på vores website **www.blackanddecker.dk** for at registrere dit nye produkt og for at blive holdt ajour om nye produkter og specialtilbud. Der findes yderligere oplysninger om mærket Black & Decker og vores produktsortiment på adressen **www.blackanddecker.dk**

Reserve dele / reparationer

Reserve dele kan købes hos autoriserede Black & Decker serviceværksteder, som giver forslag til omkostninger og reparerer vore produkter. Oversigt over vore autoriserede værksteder findes på internettet på vor hjemmeside

www.blackanddecker.dk samt **www.2helpU.com**

Garanti

Black & Decker garanterer, at produktet er fri for materielle skader og/eller fabrikationsfejl ved levering til kunden. Garantien er et tillæg til konsumentens lovlige rettigheder og påvirker ikke disse. Garantien gælder indenfor medlemsstaterne af den Europæiske Union og i det Europæiske Frihandelsområde.

Hvis et Black & Decker produkt går i stykker på grund af materiel skade og/eller fabrikationsfejl eller på anden måde ikke fungerer i overensstemmelse med specifikationen, inden for 24 måneder fra købsdatoen, påtager Black & Decker sig at reparere eller ombytte produktet med mindst muligt besvær for kunden.

Garantien gælder ikke for fejl og mangler, der er sket i forbindelse med:

- ◆ normal slitage
- ◆ uheldige følger efter unormal anvendelse af værktøjet
- ◆ overbelastning, hæværk eller overdrevent intensivt brug af værktøjet
- ◆ ulykkehændelse

Garantien gælder ikke hvis reparationer er udført af nogen anden end et autoriseret Black & Decker værksted.

Käyttötarkoitus

Black & Deckerin iskuporakone on tarkoitettu puun, metallin, muovin ja betonin poraamiseen sekä ruuvaamiseen ja kaivertamiseen.

Yleiset turvallisuutta koskevat säännöt

Varoitus! Kaikki ohjeet täytyy lukea. Alla olevien ohjeiden noudattamisen laiminlyönti saattaa johtaa sähköiskun, tulipaloon ja/tai vakavaan loukkaantumiseen.

Seuraavassa käytetty käsite "sähkötyökalu" käsittää verkkokäyttöisiä sähkötyökaluja (verkkojohdolla) ja akkukäyttöisiä sähkötyökaluja (ilman verkkojohtoa).
SÄILYTÄ NÄMÄ OHJEET HYVIN.

1. Työalue

a. Pidä työskentelyalue puhtaana ja hyvin valaistuna.

Työpaikan epäjärjestys ja valaisemattomat työalueet voivat johtaa tapaturmiin.

b. Älä työskentele sähkötyökalulla räjähdysalttiissa ympäristössä, jossa on palavaa nestettä, kaasua tai pölyä. Sähkötyökalu muodostaa kipinöitä, jotka saattavat sytyttää pölyn tai höyryt.

c. Pidä lapset ja sivulliset loitolla sähkötyökalua käyttäessäsi. Voit menettää laitteesi hallinnan, huomiosi suuntautuessa muualle.

2. Sähköturvallisuus

a. Sähkötyökalun pistotulpan tulee sopia pistorasiaan. Pistotulppaa ei saa muuttaa millään tavalla. Älä käytä mitään pistorasia-adaptoreita maadoitettujen sähkötyökalujen kanssa. Alkuperäisessä kunnossa olevat pistotulpat ja sopivat pistorasiat vähentävät sähköiskun vaaraa.

b. Vältä koskettamasta maadoitettuja pintoja, kuten putkia, pattereita, liesiä tai jääkaappeja. Sähköiskun vaara kasvaa, jos kehosi on maadoitettu.

c. Älä altista sähkötyökalua sateelle tai kosteudelle. Veden tunkeutuminen sähkötyökalun sisään kasvattaa sähköiskun riskiä.

d. Älä käytä verkkojohtoa väärin. Älä käytä sitä sähkötyökalun kantamiseen, vetämiseen tai pistotulpan irrottamiseen pistorasiasta. Pidä johto loitolla kuumuudesta, öljystä, terävistä reunoista ja liikkuvista osista. Vahingoittuneet tai sotkeutuneet johdot kasvattavat sähköiskun vaaraa.

e. Käyttäessäsi sähkötyökalua ulkona, käytä ainoastaan ulkokäyttöön soveltuvaa jatkojohtoa. Ulkokäyttöön soveltuvan jatkojohdon käyttö pienentää sähköiskun vaaraa.

3. Henkilöturvallisuus

- a. **Ole valpas, kiinnitä huomiota työskentelyysi ja noudata tervettä järkeä sähkötyökalua käyttäessäsi. Älä käytä sähkötyökalua, jos olet väsynyt tai huumeiden, alkoholin tahi lääkkeiden vaikutuksen alaisena.** Hetken tarkkaamattomuus sähkötyökalua käytettäessä saattaa johtaa vakavaan loukkaantumiseen.
- b. **Käytä suojavarusteita. Käytä aina suojalaseja.** Suojavarusteet, kuten pölynsuojanaamari, luistamattomat turvajalkineet, kypärä ja kuulosuojaimet pienentävät, tilanteen mukaan oikein käytettyinä, loukkaantumisriskiä.
- c. **Vältä sähkötyökalun tahatonta käynnistämistä. Varmista, että kytkin on off-asennossa ennen kytkennän tekemistä.** Onnettomuusvaara lisääntyy, jos kannat sähkötyökalua sormi käyttökytkimellä tai kytket työkalun virtajohdon pistorasiaan, kun käyttökytkin on päällä.
- d. **Poista kaikki säätötyökalut ja ruuvitaltat, ennen kuin käynnistät sähkötyökalun.** Työkalu tai avain, joka sijaitsee laitteen pyörivässä osassa, saattaa johtaa loukkaantumiseen.
- e. **Älä kurkota. Seiso aina tukevasti ja tasapainossa.** Täten voit paremmin hallita sähkötyökalua odottamattomissa tilanteissa.
- f. **Käytä tarkoitukseen soveltuvia vaatteita. Älä käytä löysiä työvaatteita tai koruja. Pidä hiukset, vaatteet ja käsineet loitolla liikkuvista osista.** Väljät vaatteet, korut ja pitkät hiukset voivat takertua liikkuviin osiin.
- g. **Jos pölynimu- ja keräilylaitteita voidaan asentaa työkalun, sinun pitää tarkistaa, että ne on liitetty ja että niitä käytetään oikealla tavalla.** Näiden laitteiden käyttö vähentää pölyn aiheuttamia vaaroja.
- ### 4. Sähkötyökalujen käyttö ja hoito
- a. **Älä ylikuormita laitetta. Käytä kyseiseen työhön tarkoitettua sähkötyökalua.** Sopivaa sähkötyökalua käyttäen työskentelet paremmin ja varmemmin tehoalueella, jolle sähkötyökalu on tarkoitettu.
- b. **Älä käytä sähkötyökalua, jota ei voida käynnistää ja pysäyttää virtakytkimestä.** Sähkötyökalu, jota ei enää voida käynnistää ja pysäyttää käynnistyskytkimellä, on vaarallinen ja se täytyy korjata.
- c. **Irrota pistotulppa pistorasiasta, ennen kuin suoritat säätöjä, vaihdat tarvikkeita tai siirrät sähkötyökalun varastoitavaksi.** Nämä turvatoimenpiteet pienentävät sähkötyökalun tahattoman käynnistysriskin.
- d. **Säilytä sähkötyökalut poissa lasten ulottuvilta, kun niitä ei käytetä. Älä anna sellaisten henkilöiden käyttää sähkötyökalua, jotka eivät tunne sitä tai jotka eivät ole lukeneet tätä käyttöohjetta.** Sähkötyökalut ovat vaarallisia, jos niitä käyttävät kokemattomat henkilöt.

- e. **Hoida sähkötyökalusi huolella. Tarkista, että liikkuvat osat toimivat moitteettomasti, eivätkä ole puristuksessa ja että työkalussa ei ole murtuneita tai vahingoittuneita osia, jotka saattaisivat vaikuttaa haitallisesti sen toimintaan. Korjattava mahdolliset viat ennen käyttöönottoa.** Moni tapaturma aiheutuu huonosti huolletuista laitteista.
- f. **Pidä leikkausterät terävinä ja puhtaina.** Huolellisesti hoidetut leikkaustyökalut, joiden leikkausreunat ovat teräviä, eivät tartu helposti kiinni ja niitä on helpompi hallita.
- g. **Käytä sähkötyökaluja, tarvikkeita, vaihtotyökaluja jne. näiden ohjeiden mukaisesti ja tavalla, joka on tarkoitettu erityisesti kyseiselle sähkötyökalulle. Ota tällöin huomioon työolosuhteet ja suoritettava toimenpide.** Sähkötyökalun käyttö muuhun kuin sille määrättyyn käyttöön, saattaa johtaa vaarallisiin tilanteisiin.
5. **Huolto**
- a. **Anna koulutettujen ammattitaitoisten henkilöiden korjata sähkötyökalusi ja hyväksy korjauksiin vain alkuperäisiä varaosia.** Täten varmistat, että sähkötyökalu säilyy turvallisena.

Sähköinen turvallisuus



Tämä kone on kaksoiseristetty; siksi ei tarvita erillistä maadoitusta. Tarkista aina, että virtalähde vastaa arvokilvessä ilmoitettua jännitettä.

Yleiskuvasu

Tällä koneella on kaikki tai osa seuraavista ominaisuuksista.

1. Virrankatkaisija portaattomalla nopeudensäädöllä
2. Lukitusnappi
3. Suunnanvaihtokytkin
4. Poraustavan valitsin
5. Työkalun pidin
6. Sivukahva
7. Syvyydenrajoitin

Kokoaminen

Varoitus! Ennen kokoamista varmista, että kone on pois päältä eikä sitä ole liitetty virtalähteeseen.

Sivukahvan ja syvyydenrajoittimen kiinnittäminen (kuva A)

- ◆ Kierrä kädensijaa vastapäivään, kunnes voit työntää sivukahvan (6) koneeseen kuvan osoittamalla tavalla.
- ◆ Käännä sivukahva haluttuun asentoon.
- ◆ Laita syvyydenrajoitin (7) sivukahvassa olevaan reikään kuvan osoittamalla tavalla.
- ◆ Laita syvyydenrajoitin haluttuun syvyyteen. Suurin mahdollinen poraussyvyys on sama kuin etäisyys poranterän kärjen ja syvyydenrajoittimen etupään välillä.

- ◆ Kiristä sivukahva kiertämällä kädensijaa myötäpäivään.

SDS-plus® -lisävarusteen kiinnittäminen (kuva B)

- ◆ Puhdista ja rasvaa lisävarusteen varsi (9).
- ◆ Vedä holkki (10) taakse ja työnnä varsi työkalun pitimeen (6).
- ◆ Työnnä lisävarustetta alas ja käännä sitä hieman, kunnes se asettuu uriin.
- ◆ Tarkista lisävarustetta vetämällä, että se on lukittunut kunnolla. Iskutoiminnon vuoksi lisävarusteen on voitava liikkua useita senttimetrejä akselin suuntaisesti, kun se on työkalun pitimeen lukittuna.
- ◆ Irrota lisävaruste vetämällä holkki (10) taakse ja vetämällä lisävarusteen ulos.

KD970KA/KD980KA – Avainistukan kiinnittäminen (kuva C)

- ◆ Kiinnitä mukana toimitetun istukan (11) SDS-plus® -varsi (12) työkalun pitimeen edellä kuvatulla tavalla.

Varoitus! Älä käytä koskaan tavallisia istukoita iskuporakokoonpanossa.

Lisävarusteiden kiinnittäminen avainistukkaan (kuva D)

- ◆ Avaa istukka kiertämällä holkkia (13).
- ◆ Laita tarvike (14) istukkaan.
- ◆ Laita istukan avain (15) vuororellin jokaiseen istukassa olevaan reikään (16) ja kiristä kunnolla.

Käyttö

Varoitus! Anna koneen käydä omaan tahtiinsa. Älä yliuormita sitä.

Varoitus! Ennen seinien, lattioiden tai kattojen poraamista tarkista sähköjohtojen ja putkistojen sijainnit.

KD970 – Käyttöasennon valinta (kuva E)

Konetta voidaan käyttää kahdella käyttöasennossa. Kierrä poraustavan valitsinta (5) haluamaasi asentoon. Asentojen merkinä on symboli.

Poraus

- ◆ Porattaessa terästä, puuta ja muovia tai ruuvattaessa tulee käyttöasennon valitsimen (5) olla kohdalla.
- ◆ Aloita alhaisella nopeudella, kun ruuvaat.


Iskuporaus

- ◆ Porattaessa muuria tai betonia tulee käyttöasennon valitsimen (5) olla kuvan T kohdalla.
- ◆ Iskuporausuksen yhteydessä koneen ei pidä pomppia vaan toimia tasaisesti. Lisää nopeutta tarvittaessa.


KD980 – Käyttöasennon valinta (kuva F)

Konetta voidaan käyttää kolmessa käyttöasennossa. Kierrä poraustavan valitsinta (5) haluamaasi asentoon. Asentojen merkinä on symboli.


Poraus

- ◆ Porattaessa terästä, puuta ja muovia tai ruuvattaessa tulee käyttöasennon valitsimen (5) olla  kohdalla.
- ◆ Aloita alhaisella nopeudella, kun ruuvaat.

Iskuporaus

- ◆ Porattaessa muuria tai betonia tulee käyttöasennon valitsimen (5) olla kuvan  kohdalla.
- ◆ Iskuporauksen yhteydessä koneen ei pidä pomppia vaan toimia tasaisesti. Lisää nopeutta tarvittaessa.

Kaivertamiseen

- ◆ Kaiverrettaessa karalukolla, ja kevyiden talttaustöiden yhteydessä, tulee käyttöasennon valitsimen (5) olla kuvan  kohdalla.
- ◆ Tarkista, että suunnanvaihtokytkin on eteenpäin-asennossa.
- ◆ Kun vaihdat iskuporauksesta kaivertamiseen, käännä taltta haluamaasi asentoon. Jos vaihdon aikana tuntuu vastusta, kytkä karalukko kääntämällä talttaa hieman.

Suunnanvaihto

Käytä eteenpäin (myötöpäivään) suuntautuvaa pyörimisliikettä poraamiseen, ruuvien kiristämiseen ja kaivertamiseen. Käytä taaksepäin (vastapäivään) suuntautuvaa pyörimisliikettä ruuvien tai jumiutuneen poranterän irrottamiseen.

- ◆ Valitaksesi pyörimissuunnan eteenpäin siirrä suunnanvaihtokytkintä (3) vasemmalle.
- ◆ Kun haluat vaihtaa pyörimissuunnan taaksepäin, siirrä suunnanvaihtokytkintä oikealle.

Varoitus! Älä koskaan vaihda pyörimissuuntaa koneen käydessä.

Poraussyvyyden säätäminen (kuva G)

- ◆ Löysää sivukahva (6).
- ◆ Laita syvyydenrajoitin (7) haluttuun syvyyteen. Suurin mahdollinen poraussyvyys on sama kuin etäisyys poranterän kärjen ja syvyydenrajoittimen etupään välillä.
- ◆ Kiristä sivukahva (6).

Virran kytkeminen päälle/pois päältä

- ◆ Käynnistä kone painamalla virrankatkaisijaa (1). Koneen nopeus riippuu siitä, kuinka paljon virrankatkaisijaa painetaan.
- ◆ Lukitaksesi virrankatkaisijan jatkuvaa toimintaa varten paina lukitusnappia (2) ja päästä irti virrankatkaisijasta. Tämä toiminto on mahdollinen vain eteenpäin (myötöpäivään) pyörimisen yhteydessä.

- ◆ Sammuta kone päästämällä irti virrankatkaisijasta. Sammuttaaksesi koneen, jonka virrankatkaisijan lukitsin on päällä, paina virrankatkaisijaa vielä kerran ja päästä siitä irti.

Tarvikkeet

Koneen käyttöalue riippuu käytettävästä tarvikkeesta. Black & Decker- ja Piranha -tarvikkeet ovat korkealaatuisia. Käyttämällä näitä tarvikkeita saat koneestasi irti parhaan mahdollisen.

Huolto

Kone on suunniteltu toimimaan mahdollisimman pitkän aikaa mahdollisimman vähällä huollolla. Oikealla huollolla ja säännöllisellä puhdistuksella kone säilyttää suorituskykynsä.

- ◆ Puhdista ilmanvaihtoaukot säännöllisesti puhtaalla, kuivalla siveltimellä.
- ◆ Käytä koneen puhdistamiseen vain mietoa pesuainetta ja kostutettua kangasta. Älä päästä työkalun sisään nestettä. Älä koskaan upota koneen mitään osaa nesteeseen.

Ympäristö



Kun koneesi on käytetty loppuun, älä heitä sitä tavallisten roskien mukana pois, vaan vie se paikkakuntasi kierrätyskeskukseen tai jätä valtuutettuun Black & Deckerin huoltooliikkeeseen.

Tekniset tiedot

| | KD970 | KD980 |
|---------------------------|-----------------------------|-----------|
| Jännite | V _{AC} 230 | 230 |
| Ottoteho | W 600 | 650 |
| Kuormittamaton nopeus | min ⁻¹ 0 - 1.000 | 0 - 1.000 |
| Kuormitettu kierrosnopeus | min ⁻¹ 0 - 820 | 0 - 820 |
| Iskutaajuus | min ⁻¹ 0 - 4.000 | 0 - 4.000 |
| Iskuenergia | J 2,0 | 2,2 |
| Työkalun pidin | SDS-plus® | SDS-plus® |
| Max. porausteho | | |
| Betoni | mm 22 | 24 |
| Teräs | mm 13 | 13 |
| Puu | mm 30 | 30 |
| Kruununporauskapasiteetti | | |
| pehmeään tiileen | mm - | 65 |
| Kaivertamiseen | ei | kyllä |
| Paino | kg 2,3 | 2,3 |

EU:n yhdenmukaisuusilmoitus

KD970/KD980

Black & Decker vakuuttaa näiden tuotteiden olevan seuraavien standardien vaatimusten mukaisia:

98/37/EC, 89/336/EEC, EN 60745, EN 55014

L_{pA} (äänenpaine) 97 dB(A), L_{WA} (akustinen teho) 105 dB(A),
käden/käsivarren painotettu tärinä 10 m/s²

K_{pA} (äänenpaineen epävarmuus): 3 dB(A),
 K_{WA} (akustisen tehon epävarmuus) 3 dB(A)



Kevin Hewitt
Director of Consumer Engineering
Spennymoor, County Durham DL16 6JG,
Iso-Britannia
1-6-2004

Edellytyksenä takuun saamiselle on, että ostaja jättää koneen ja ostokuitin jälleenmyyjälle tai valtuutetulle huoltoliikkeelle viimeistään 2 kuukauden kuluessa vian ilmenemisestä. Tiedot valtuutetuista huoltoliikkeistä saa ottamalla yhteyttä Black & Decker Oy:hyn sekä internetistä osoitteesta **www.2helpU.com**, jossa on myös takuehdot.

Voit vierailla verkkosivullamme **www.blackanddecker.fi** rekisteröidäksesi uuden Black & Decker-tuotteesi ja saadaksesi tietoa uusista tuotteista ja erikoistarjouksista. Saat lisätietoja Black & Deckerin tavaramerkistä ja tuotevalikoimastamme osoitteesta **www.blackanddecker.fi**

Korjaukset / varaosat

Mikäli koneeseen tulee vikaa, jätä se aina Black & Deckerin valtuuttamaan huoltoliikkeeseen korjattavaksi (tiedot löytyvät uusimmasta tuoteluettelostamme tai ottamalla yhteyttä Black & Decker Oy:hyn). Varaosia myyvät valtuutetut Black & Deckerin huoltoliikkeet, ja heiltä voi myös pyytää kustannusarvion koneen korjauksesta.

Tiedot valtuutetuista huoltoliikkeistä löytyvät myös internetistä osoitteesta **www.2helpU.com** sekä kotisivuiltamme **www.blackanddecker.fi**

Takuu

Black & Decker Oy takaa, ettei koneessa ollut materiaali- ja/ tai valmistusvikaa silloin, kun se toimitettiin ostajalle. Takuu on lisäys kuluttajan laillisiin oikeuksiin eikä vaikuta niihin. Takuu on voimassa Euroopan Unionin jäsenmaissa ja Euroopan vapaakauppa-alueella (EFTA).

Mikäli Black & Decker -kone hajoaa materiaali- ja/ tai valmistusvirheen tai teknisten tietojen epätarkkuuden vuoksi 24 kk:n kuluessa ostopäivästä, Black & Decker korjaa koneen ilman kustannuksia ostajalle tai vaihtaa sen uuteen Black & Decker Oy:n valinnan mukaan.

Takuu ei kata vikoja, jotka johtuvat koneen

- ◆ normaalista kulumisesta
- ◆ ylikuormituksesta, virheellisestä käytöstä tai hoidosta
- ◆ vahingoittamisesta vieraalla esineellä tai aineella tai onnettomuustapauksessa.

Takuu ei ole voimassa, mikäli konetta on korjannut joku muu kuin Black & Deckerin valtuuttama huoltoliike.

Ενδεδειγμένη χρήση

Το περιστροφικό κρουστικό δράπανο Black & Decker έχει σχεδιαστεί για διάτρηση σε ξύλο, μέταλλο, πλαστικά και μαλακά δομικά υλικά, καθώς και για εφαρμογές βιδώματος και ελαφρού σμιλέματος.

Γενικοί κανόνες ασφαλείας

Προειδοποίηση! Διαβάστε όλες τις υποδείξεις. Η μη τήρηση όλων των παρακάτω υποδείξεων μπορεί να προκαλέσει ηλεκτροπληξία, πυρκαγιά ή/και σοβαρούς τραυματισμούς. Ο χαρακτηρισμός “ηλεκτρικό εργαλείο” που χρησιμοποιείται στις παρακάτω προειδοποιητικές υποδείξεις αφορά ή το εργαλείο που συνδέεται στην πρίζα (με καλώδιο) ή το εργαλείο που λειτουργεί με μπαταρία (χωρίς καλώδιο). ΦΥΛΑΞΤΕ ΑΥΤΕΣ ΤΙΣ ΟΔΗΓΙΕΣ.

1. Χώρος εργασίας

- a. Διατηρείτε το χώρο που εργάζεστε καθαρό και καλά φωτισμένο. Η αταξία στο χώρο που εργάζεστε και τα σημεία χωρίς καλό φωτισμό μπορεί να οδηγήσουν σε ατυχήματα.
6. **Μη χρησιμοποιείτε τα ηλεκτρικά εργαλεία σε περιβάλλον όπου υπάρχει κίνδυνος έκρηξης, π.χ. παρουσία εύφλεκτων υγρών, αερίων ή σκόνης.** Τα ηλεκτρικά εργαλεία μπορεί να δημιουργήσουν σπινθηρισμό ο οποίος μπορεί να αναφλέξει τη σκόνη ή τις αναθυμιάσεις.
- γ. **Όταν χρησιμοποιείτε το ηλεκτρικό εργαλείο, κρατάτε τα παιδιά και τα υπόλοιπα άτομα μακριά από το χώρο που εργάζεστε.** Σε περίπτωση που άλλα άτομα αποσπάσουν την προσοχή σας μπορεί να χάσετε τον έλεγχο του μηχανήματος.

2. Ασφαλής χρήση του ηλεκτρικού ρεύματος

- a. **Το φως του καλωδίου του ηλεκτρικού εργαλείου πρέπει να ταιριάζει στην αντίστοιχη πρίζα. Δεν επιτρέπεται με κανένα τρόπο η μετασκευή του φως. Μη χρησιμοποιείτε προσαρμοστικά φως στα γειωμένα ηλεκτρικά εργαλεία.** Τα φως που δεν έχουν υποστεί τροποποιήσεις και οι κατάλληλες πρίζες μειώνουν τον κίνδυνο ηλεκτροπληξίας.
6. **Αποφεύγετε την επαφή του σώματός σας με γειωμένες επιφάνειες όπως σωλήνες, θερμαντικά σώματα (καλοριφέρ), κουζίνες και ψυγεία.** Όταν το σώμα σας είναι γειωμένο, αυξάνεται ο κίνδυνος ηλεκτροπληξίας.
- γ. **Μην εκθέτετε το ηλεκτρικό εργαλείο στη βροχή ή την υγρασία.** Η διείσδυση νερού στο ηλεκτρικό εργαλείο αυξάνει τον κίνδυνο ηλεκτροπληξίας.
- δ. **Μην κακομεταχειρίζεστε το καλώδιο. Μη χρησιμοποιήσετε ποτέ το καλώδιο για να μεταφέρετε, να τραβήξετε ή να αποσυνδέσετε το εργαλείο από την πρίζα. Κρατάτε το καλώδιο μακριά από υψηλές θερμοκρασίες, λάδια, κοφτερές ακμές ή κινούμενα εξαρτήματα.** Τυχόν χαλασμένα ή μπερδεμένα καλώδια αυξάνουν τον κίνδυνο ηλεκτροπληξίας.

- ε. **Όταν χρησιμοποιείτε το ηλεκτρικό εργαλείο σε εξωτερικούς χώρους, να χρησιμοποιείτε πάντοτε προεκτάσεις (μπαλαντζές) που έχουν εγκριθεί για χρήση σε εξωτερικούς χώρους.** Η χρήση προεκτάσεων εγκριμένων για εργασία σε εξωτερικούς χώρους μειώνει τον κίνδυνο ηλεκτροπληξίας.

3. Ασφάλεια προσώπων

- a. **Όταν χρησιμοποιείτε το ηλεκτρικό εργαλείο, να είστε προσεκτικοί, να δίνετε προσοχή στην εργασία που κάνετε και να επιστρατεύετε την κοινή λογική. Μη χρησιμοποιείτε το ηλεκτρικό εργαλείο όταν είστε κουρασμένοι ή όταν βρίσκεστε υπό την επίδραση ναρκωτικών, οινοπνεύματος ή φαρμάκων.** Μια στιγμιαία απροσεξία κατά το χειρισμό του ηλεκτρικού εργαλείου μπορεί να οδηγήσει σε σοβαρούς τραυματισμούς.
6. **Να χρησιμοποιείτε εξοπλισμό ασφαλείας. Να φοράτε πάντα προστατευτικά γυαλιά.** Ο κίνδυνος τραυματισμών μειώνεται όταν χρησιμοποιείτε εξοπλισμό ασφαλείας, όπως μάσκα προστασίας από σκόνη, αντιολισθητικά παπούτσια ασφαλείας, κράνη ή ωτασπίδες, ανάλογα με τις συνθήκες εργασίας.
- γ. **Αποφεύγετε την αθέλητη θέση σε λειτουργία του ηλεκτρικού εργαλείου. Βεβαιωθείτε, ότι ο διακόπτης λειτουργίας βρίσκεται στη θέση “OFF” πριν συνδέσετε το ηλεκτρικό εργαλείο στην πρίζα.** Αν μεταφέρετε το ηλεκτρικό εργαλείο έχοντας το δάκτυλό σας πάνω στο διακόπτη λειτουργίας ή αν συνδέσετε το ηλεκτρικό εργαλείο στην πρίζα όταν ο διακόπτης λειτουργίας βρίσκεται στη θέση “ON”, αυτό μπορεί να οδηγήσει σε σοβαρούς τραυματισμούς.
- δ. **Πριν θέσετε το ηλεκτρικό εργαλείο σε λειτουργία, αφαιρέστε τυχόν εργαλεία ή κλειδιά ρύθμισης.** Ενα εργαλείο ή κλειδί συναρμολογημένο στο περιστρεφόμενο εξάρτημα ενός ηλεκτρικού εργαλείου μπορεί να προκαλέσει τραυματισμούς.
- ε. **Μην τεντώνεστε. Φροντίστε πάντοτε να έχετε την κατάλληλη στάση και να διατηρείτε την ισορροπία σας.** Αυτό σας επιτρέπει τον καλύτερο έλεγχο του ηλεκτρικού εργαλείου σε περιπτώσεις απροσδόκτων καταστάσεων.
- στ. **Φοράτε κατάλληλη ενδυμασία εργασίας. Μη φοράτε φαρδιά ρούχα ή κοσμήματα. Κρατάτε τα μαλλιά, τα ενδύματα και τα γάντια σας μακριά από τα κινούμενα εξαρτήματα.** Τα φαρδιά ρούχα, τα κοσμήματα και τα μακριά μαλλιά μπορεί να εμπλακούν στα κινούμενα εξαρτήματα.
- ζ. **Αν προβλέπονται διατάξεις απαγωγής και συλλογής της σκόνης, βεβαιωθείτε ότι είναι συνδεδεμένες και ότι χρησιμοποιούνται σωστά.** Η χρήση τέτοιων διατάξεων μειώνει τους κινδύνους που προέρχονται από τη σκόνη.

4. Χρήση και συντήρηση του ηλεκτρικού εργαλείου
- α. Μην υπερφορτώνετε το ηλεκτρικό εργαλείο. Χρησιμοποιείτε για την εκάστοτε εργασία σας το ηλεκτρικό εργαλείο που προορίζεται γι' αυτήν. Με το κατάλληλο ηλεκτρικό εργαλείο εργάζεσθε καλύτερα και ασφαλέστερα στην ονομαστική περιοχή ισχύος του.
- β. Μη χρησιμοποιήσετε ποτέ ένα ηλεκτρικό εργαλείο του οποίου ο διακόπτης λειτουργίας είναι χαλασμένος. Ένα ηλεκτρικό εργαλείο του οποίου η λειτουργία δεν μπορεί να ελεγχθεί με το διακόπτη είναι επικίνδυνο και πρέπει να επισκευαστεί.
- γ. Βγάλτε το φως από την πρίζα πριν διεξάγετε κάποια εργασία ρύθμισης στο ηλεκτρικό εργαλείο, πριν αλλάξετε κάποιο εξάρτημα ή όταν πρόκειται να το αποθηκεύσετε. Αυτά τα προληπτικά μέτρα ασφαλείας μειώνουν τον κίνδυνο να τεθεί το μηχάνημα αθέλητα σε λειτουργία.
- δ. Να φυλάτε τα ηλεκτρικά εργαλεία που δεν χρησιμοποιείτε μακριά από παιδιά. Μην αφήνετε άτομα που δεν είναι εξοικειωμένα με το ηλεκτρικό εργαλείο ή που δεν έχουν διαθέσει αυτές τις οδηγίες χρήσης να το χρησιμοποιήσουν. Τα ηλεκτρικά εργαλεία είναι επικίνδυνα όταν χρησιμοποιούνται από άπειρα άτομα.
- ε. Να συντηρείτε τα ηλεκτρικά εργαλεία. Ελέγξτε εάν τα κινούμενα μέρη είναι σωστά ευθυγραμμισμένα ή αν έχουν μπλοκάρει, εάν έχουν σπάσει κομμάτια και εάν πληρούνται όλες οι υπόλοιπες συνθήκες που ενδεχομένως να επηρεάσουν τη σωστή λειτουργία του εργαλείου. Δώστε γυαχόν χαλασμένα εξαρτήματα του ηλεκτρικού εργαλείου για επισκευή πριν το χρησιμοποιήσετε πάλι. Η ανεπαρκής συντήρηση των ηλεκτρικών εργαλείων αποτελεί αιτία πολλών ατυχημάτων.
- στ. Διατηρείτε τα κοπτικά εργαλεία κοφτερά και καθαρά. Τα κοπτικά εργαλεία με αιχμηρά κοπτικά άκρα που συντηρούνται σωστά έχουν λιγότερες πιθανότητες να μπλοκάρουν και ελέγχονται ευκολότερα.
- ζ. Να χρησιμοποιείτε τα ηλεκτρικά εργαλεία, τα εξαρτήματα και τα άκρα των εργαλείων κλπ σύμφωνα με τις παρούσες οδηγίες καθώς και όπως προβλέπεται για τον κάθε τύπο μηχανήματος, λαμβάνοντας υπόψη σας τις συνθήκες εργασίας και την εργασία που θέλετε να εκτελέσετε. Η χρήση του ηλεκτρικού εργαλείου για άλλες εκτός από τις προβλεπόμενες εργασίες μπορεί να δημιουργήσει επικίνδυνες καταστάσεις.
5. Σέρβις
- α. Το σέρβις του ηλεκτρικού σας εργαλείου πρέπει να αναλαμβάνει έμπειρος τεχνικός που θα χρησιμοποιεί μόνο γνήσια ανταλλακτικά. Ετσι εξασφαλίζεται η διατήρηση της ασφάλειας του ηλεκτρικού εργαλείου.

Ηλεκτρική ασφάλεια



Το εργαλείο σας φέρει διπλή μόνωση. Κατά συνέπεια δε χρειάζεται καλώδιο γείωσης. Ελέγχετε πάντοτε αν η τάση τροφοδοσίας αντιστοιχεί σε αυτήν που αναγράφεται στην πινακίδα στοιχείων του εργαλείου.

Χαρακτηριστικά

Το εργαλείο διαθέτει όλα ή ορισμένα από τα εξής χαρακτηριστικά.

1. Διακόπτης ρυθμιζόμενης ταχύτητας
2. Πλήκτρο ασφάλισης
3. Διακόπτης δεξιόστροφης/αριστερόστροφης περιστροφής
4. Διακόπτη επιλογής κατάστασης διάτρησης
5. Βάση εργαλείου
6. Πλευρική λαβή
7. Στοπ βάθους

Συναρμολογηση

Προειδοποίηση! Πριν από τη συναρμολόγηση, βεβαιωθείτε ότι το εργαλείο είναι σβηστό και ότι το φως του δεν είναι στην πρίζα.

Τοποθέτηση της πλευρικής λαβής και του στοπ βάθους (εικ. Α)

- ◆ Στρέψτε τη λαβή αριστερόστροφα μέχρι να μπορείτε να ολισθήσετε την πλευρική λαβή (6) στο εμπρόσθιο τμήμα του εργαλείου όπως φαίνεται στην εικόνα.
- ◆ Περιστρέψτε την πλευρική λαβή σε όποια θέση θέλετε.
- ◆ Εισάγετε το στοπ βάθους (7) μέσα στην οπή στρίψιξης όπως απεικονίζεται.
- ◆ Ρυθμίστε το στοπ βάθους στη θέση που θέλετε. Το μέγιστο βάθος διάτρησης ισούται με την απόσταση μεταξύ της άκρης του τρυπανιού και του εμπρόσθιου άκρου του στοπ βάθους.
- ◆ Σφίξτε την πλευρική λαβή στρέφοντάς την δεξιόστροφα.

Τοποθέτηση ενός αξεσουάρ SDS-plus® (εικ. Β)

- ◆ Καθαρίστε και γρασάρετε το στέλεχος (9) του αξεσουάρ.
- ◆ Τραβήξτε τον δακτύλιο (10) και τοποθετήστε το στέλεχος στη βάση του εργαλείου (6).
- ◆ Σπρώξτε το αξεσουάρ προς τα κάτω και στρέψτε το ελάχιστα μέχρι να ταιριάζει στις σχισμές.
- ◆ Τραβήξτε το αξεσουάρ για να ελέγξετε αν έχει κλειδωθεί σωστά. Η λειτουργία κρούσης απαιτεί το αξεσουάρ να μπορεί να κινηθεί αξονικά κατά μερικά εκατοστά όταν είναι κλειδωμένο στη βάση του εργαλείου.
- ◆ Για να αφαιρέσετε το αξεσουάρ, τραβήξτε τον δακτύλιο (10) και τραβήξτε το αξεσουάρ.

KD970KA/KD980KA – Τοποθέτηση του τσοκ με τα κλειδιά (εικ. C)

- ◆ Τοποθετήστε το στέλεχος SDS-plus® (11) του τσοκ που παρέχεται (12) στη βάση του εργαλείου όπως περιγράφεται παραπάνω.

Προειδοποίηση! Μη χρησιμοποιείτε ποτέ τυπικά τσοκ στη λειτουργία κρουστικής διάτρησης.

Τοποθέτηση αξεσουάρ στο τσοκ με το κλειδί (εικ. D)

- ◆ Ανοίξτε το τσοκ στρέφοντας τον εξωτερικό δακτύλιο (13).
- ◆ Εισάγετε τον άξονα της μύτης (14) μέσα στο τσοκ.
- ◆ Εισάγετε το κλειδί του τσοκ (15) σε κάθε οπή (16) στο πλάι του τσοκ και στρέψτε το μέχρι να ασφαλίσει.

Χρήση


Προειδοποίηση! Αφήστε το εργαλείο να λειτουργήσει με το δικό του ρυθμό. Μην το υπερφορτώνετε.

Προειδοποίηση! Πριν από τη διάτρηση τοίχων, δαπέδων ή οροφών, εντοπίστε τις θέσεις όπου βρίσκονται καλώδια και σωληνώσεις.


KD970 – Επιλογή κατάστασης λειτουργίας (εικ. E)

Το εργαλείο μπορεί να χρησιμοποιηθεί σε δύο καταστάσεις λειτουργίας. Στρέψτε τον επιλογέα κατάστασης διάτρησης (5) στην επιθυμητή θέση, όπως υποδεικνύεται από τα σύμβολα.

Διάτρηση

- ◆ Για διάτρηση σε ασφάλι, ξύλο και πλαστικό, καθώς και για εφαρμογές κατασβιδιού, ρυθμίστε τον διακόπτη επιλογής κατάστασης λειτουργίας (5) στη θέση .
- ◆ Κατά τη χρήση του κατασβιδιού, ξεκινήστε με χαμηλή ταχύτητα.


Κρουστική διάτρηση

- ◆ Για κρουστική διάτρηση σε τοιχοποιία, ρυθμίστε τον διακόπτη επιλογής κατάστασης λειτουργίας (5) στη θέση .
- ◆ Κατά την κρούση, το εργαλείο δεν θα πρέπει να χοροπηδά και να κινείται απαλά. Αν κριθεί απαραίτητο, αυξάνετε την ταχύτητα.


KD980 – Επιλογή τρόπου λειτουργίας (εικ. F)

Το εργαλείο μπορεί να χρησιμοποιηθεί σε τρεις καταστάσεις λειτουργίας. Στρέψτε τον επιλογέα κατάστασης διάτρησης (5) στην επιθυμητή θέση, όπως υποδεικνύεται από τα σύμβολα.


Διάτρηση

- ◆ Για διάτρηση σε ασφάλι, ξύλο και πλαστικό, καθώς και για εφαρμογές κατασβιδιού, ρυθμίστε τον διακόπτη επιλογής κατάστασης λειτουργίας (5) στη θέση .
- ◆ Κατά τη χρήση του κατασβιδιού, ξεκινήστε με χαμηλή ταχύτητα.

Κρουστική διάτρηση

- ◆ Για κρουστική διάτρηση σε τοιχοποιία, ρυθμίστε τον διακόπτη επιλογής κατάστασης λειτουργίας (5) στη θέση .
- ◆ Κατά την κρούση, το εργαλείο δεν θα πρέπει να χοροπηδά και να κινείται απαλά. Αν κριθεί απαραίτητο, αυξάνετε την ταχύτητα.

Σμίλεμα

- ◆ Για σμίλεμα με χρήση της ασφάλειας ατράκτου, και για ελαφρύ σμίλεμα, ρυθμίστε τον επιλογέα (5) στη θέση .
- ◆ Βεβαιωθείτε ότι ο διακόπτης εμπρός/πίσω είναι στη εμπρός θέση.
- ◆ Όταν αλλάζετε από κρουστική διάτρηση σε σμίλεμα, γυρίστε τη σμίλη στην επιθυμητή θέση. Αν νιώθετε αντίσταση κατά την αλλαγή κατάστασης λειτουργίας, γυρίστε ελαφρά τη σμίλη για να ενεργοποιήσετε την ασφάλεια της ατράκτου.

Επιλογή της κατεύθυνσης περιστροφής

Για διάτρηση, σμίλεμα και για τη σύσφιξη βιδών, χρησιμοποιείτε την περιστροφή προς τα εμπρός (δεξιόστροφη). Για το ξεβίδωμα των βιδών ή για να αφαιρέσετε τρυπάνι που έχει κολλήσει, χρησιμοποιείτε την ανάποδη περιστροφή (αριστερόστροφη).

- ◆ Για να επιλέξετε την περιστροφή προς τα εμπρός, πιέστε το συρόμενο διακόπτη εμπρός/πίσω (3) προς τα αριστερά.
- ◆ Για να επιλέξετε την ανάποδη περιστροφή, πιέστε το συρόμενο διακόπτη εμπρός/πίσω προς τα δεξιά.

Προειδοποίηση! Ποτέ μην αλλάζετε την κατεύθυνση της περιστροφής ενώ ο κινητήρας είναι σε λειτουργία.

Ρύθμιση του βάθους διάτρησης (εικ. G)

- ◆ Χαλαρώστε την πλευρική λαβή (6).
- ◆ Ρυθμίστε το στοπ βάθους (7) στη θέση που θέλετε. Το μέγιστο βάθος διάτρησης ισούται με την απόσταση μεταξύ της άκρης του τρυπανιού και του εμπρόσθιου άκρου του στοπ βάθους.
- ◆ Σφίξτε την πλευρική λαβή (6).

Εναρξη και παύση της λειτουργίας

- ◆ Για να θέσετε σε λειτουργία το εργαλείο, πατήστε το διακόπτη ρυθμιζόμενης ταχύτητας (1). Η ταχύτητα του εργαλείου εξαρτάται από το βαθμό που θα πατήσετε το διακόπτη.
- ◆ Για διαρκή λειτουργία, πατήστε το πλήκτρο ασφάλισης (2) και απελευθερώστε το διακόπτη ρυθμιζόμενης ταχύτητας. Αυτή η επιλογή είναι διαθέσιμη μόνο στην περιστροφή προς τα μπροστά (δεξιόστροφα).

- ♦ Για να σβήσετε το εργαλείο, απελευθερώστε το διακόπτη ρυθμιζόμενης ταχύτητας. Για να σβήσετε το εργαλείο όταν βρίσκεται σε κατάσταση συνεχόμενης λειτουργίας, πατήστε μία φορά το διακόπτη ρυθμιζόμενης ταχύτητας και ύστερα αφήστε τον.

Εξαρτήματα

Η απόδοση του εργαλείου σας εξαρτάται από τα εξαρτήματα που χρησιμοποιείτε. Τα εξαρτήματα Black & Decker και Piranha είναι σχεδιασμένα σύμφωνα με πρότυπα υψηλής ποιότητας για να βελτιώνουν την απόδοση του εργαλείου σας. Χρησιμοποιώντας τα θα επιτύχετε τη βέλτιστη απόδοση του εργαλείου.

Συντήρηση

Αυτό το εργαλείο έχει σχεδιαστεί έτσι ώστε να λειτουργεί για μεγάλο χρονικό διάστημα με την ελάχιστη δυνατή συντήρηση. Η αδιάλειπτη και κανονική λειτουργία του εργαλείου εξαρτάται από τη φροντίδα και τον τακτικό καθαρισμό.

- ♦ Να καθαρίζετε τακτικά τις σπές εξαερισμού με μια καθαρή, στεγνή βούρτσα.
- ♦ Για να καθαρίσετε το εργαλείο, χρησιμοποιήστε μόνο μαλακό σαπούνι και ένα υγρό πανάκι. Ποτέ μην αφήνετε οποιοδήποτε υγρό να μπει στο εσωτερικό του εργαλείου και ποτέ μην εισάγετε οποιοδήποτε μέρος του εργαλείου μέσα σε υγρό.

Προστασία του περιβάλλοντος



Η Black & Decker δίνει τη δυνατότητα ανακύκλωσης των προϊόντων της που έχουν συμπληρώσει τη διάρκεια ζωής τους. Η υπηρεσία αυτή είναι δωρεάν. Αν θέλετε να χρησιμοποιήσετε την εν λόγω υπηρεσία, επιστρέψτε το προϊόν σας σε οποιοδήποτε εξουσιοδοτημένο κέντρο επισκευών, όπου θα το παραλάβουν εκ μέρους σας.

Ενημερωθείτε για το πλησιέστερο κέντρο επισκευών της περιοχής σας, επικοινωνώντας με τα γραφεία της Black & Decker στη διεύθυνση που αναγράφεται στο εγχειρίδιο. Επίσης, για να πληροφορηθείτε για τα εξουσιοδοτημένα κέντρα επισκευών της Black & Decker, τις λεπτομέρειες και τους αρμόδιους των υπηρεσιών που παρέχονται μετά την πώληση, μπορείτε να ανατρέξετε στο Διαδίκτυο στη διεύθυνση:

www.2helpU.com

Τεχνικά χαρακτηριστικά

| | KD970 | KD980 |
|---|-----------------------------|-----------|
| Τάση | V _{AC} 230 | 230 |
| Ισχύς εισόδου | W 600 | 650 |
| Ταχύτητα άφορτου κίνησης | min ⁻¹ 0 - 1.000 | 0 - 1.000 |
| Ταχύτητα με φορτίο | min ⁻¹ 0 - 820 | 0 - 820 |
| ποσοστό κρούσης | min ⁻¹ 0 - 4.000 | 0 - 4.000 |
| Ενέργεια κρούσης | J 2,0 | 2,2 |
| Βάση εργαλείου | SDS-plus® SDS-plus® | |
| Μέγιστη δυνατότητα διάτρησης | | |
| Τσιμέντο | mm 22 | 24 |
| Χάλυβας | mm 13 | 13 |
| Ξύλο | mm 30 | 30 |
| Κανότητα σωληνωτής διάτρησης σε μαλακό τούβλο | mm - | 65 |
| Σμίλεμα | όχι | ναι |
| Βάρος | kg 2,3 | 2,3 |

Δήλωση συμμόρφωσης με την Ευρωπαϊκή Κοινότητα

KD970/KD980

Η Black & Decker δηλώνει ότι τα προϊόντα αυτά συμμορφώνονται με:
98/37/EOK, 89/336/EOK, EN 60745, EN 55014

L_{DA} (πίεση ήχου) 97 dB(A), L_{WA} (ακουστική ισχύς) 105 dB(A),
χειροβραχιονική δόνηση 10 m/s²

KpA (αβεβαιότητα πίεσης ήχου): 3 dB(A),

K_{WA} (αβεβαιότητα ακουστικής ισχύς) 3 dB(A)

Kevin Hewitt

Διευθυντής Εξυπηρέτησης Πελατών
Spennymoor, County Durham DL16 6JG,

Αγγλία
1-6-2004

Εγγύηση

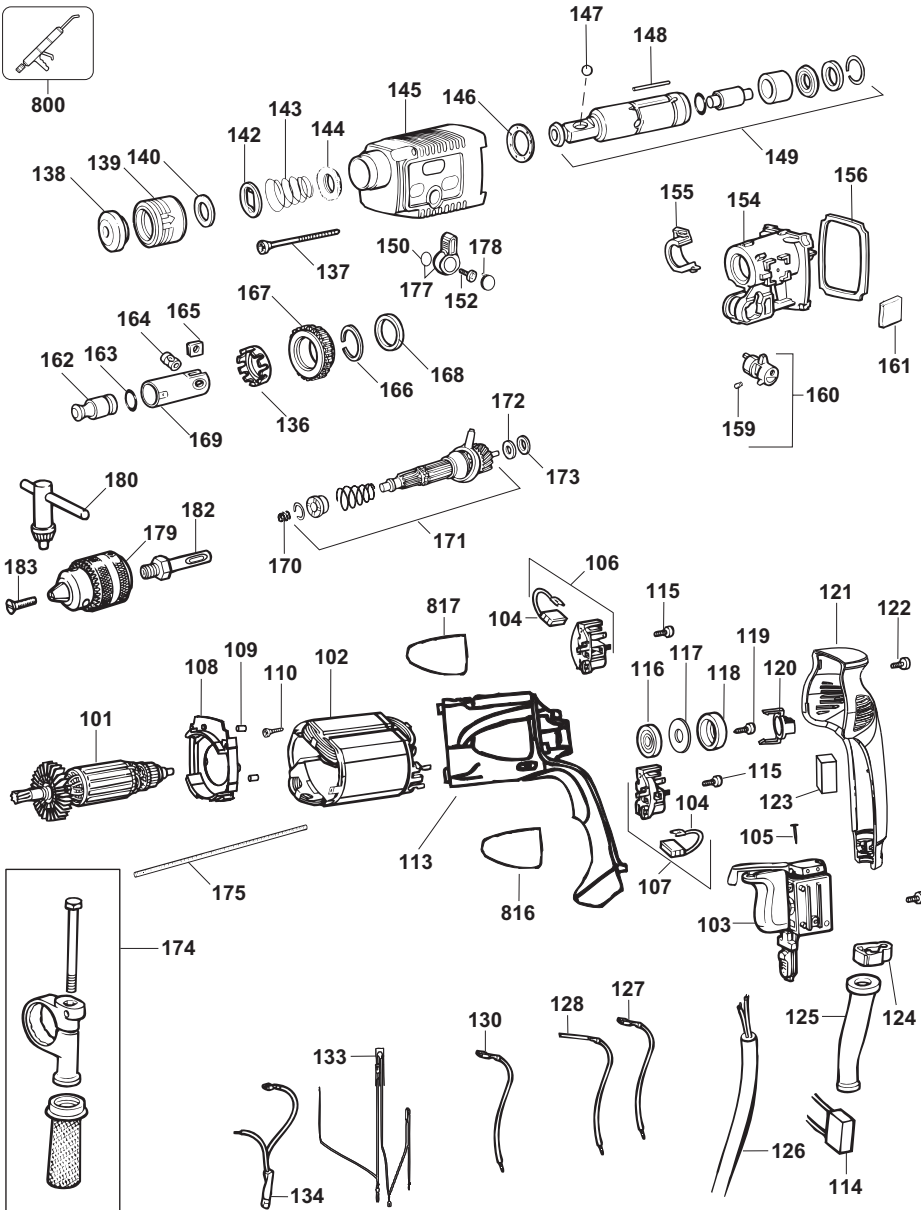
Η Black & Decker είναι σίγουρη για την ποιότητα των προϊόντων της και παρέχει σημαντική εγγύηση. Η παρούσα γραπτή εγγύηση αποτελεί πρόσθετο δικαίωμά σας και δεν ζημιώνει τα συνταγματικά σας δικαιώματα. Η εγγύηση ισχύει εντός της επικράτειας των Κρατών Μελών της Ευρωπαϊκής Ένωσης και της Ευρωπαϊκής Ζώνης Ελευθέρων Συναλλαγών.

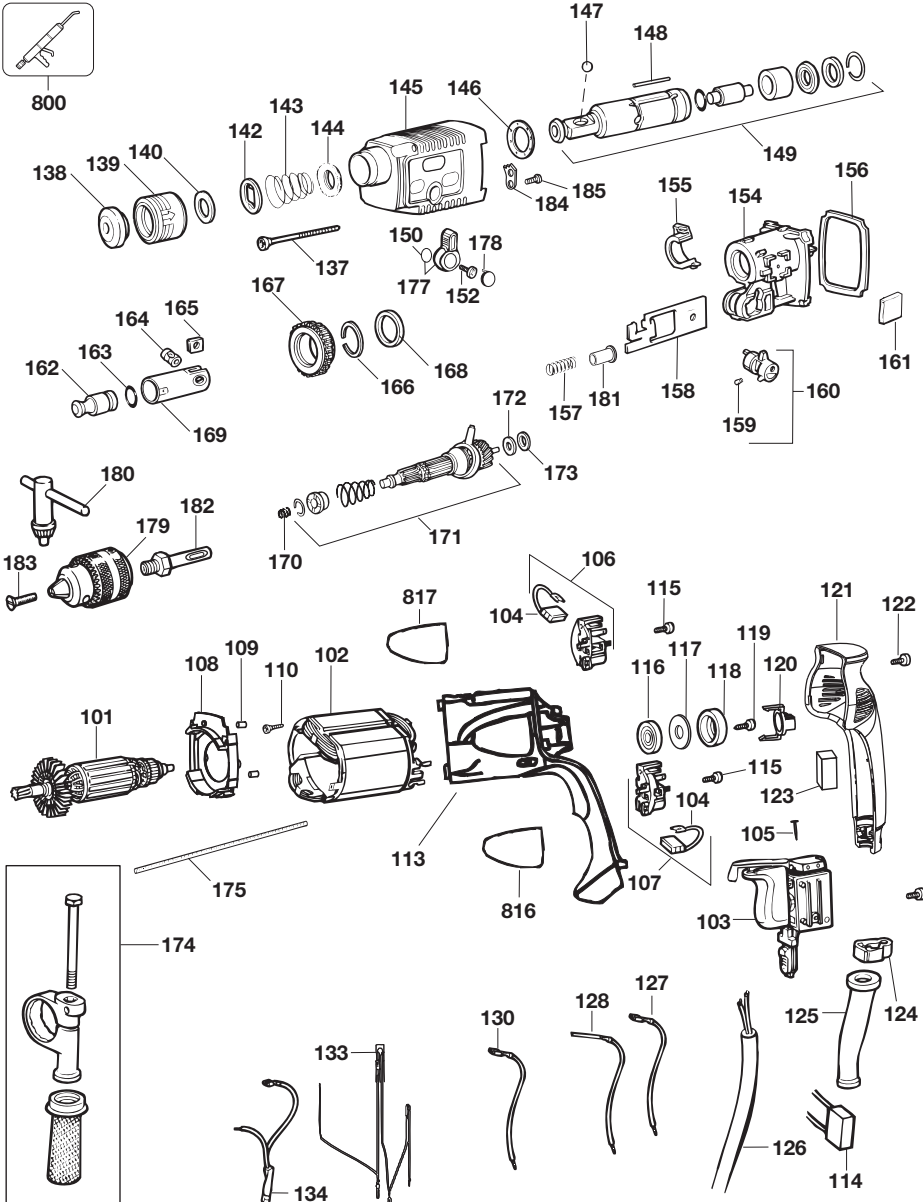
Σε περίπτωση που κάποιο προϊόν της Black & Decker παρουσιάσει βλάβη εξαιτίας ελαττωματικών υλικών, ποιότητας εργασίας ή έλλειψης συμφωνίας με τις προδιαγραφές εντός 24 μηνών από την ημερομηνία αγοράς, η Black & Decker εγγυάται την αντικατάσταση των ελαττωματικών τμημάτων, την επισκευή προϊόντων που έχουν υποστεί εύλογη φθορά λόγω χρήσης ή την αντικατάσταση των προϊόντων προκειμένου να εξασφαλίσει την ελάχιστη ενόχληση στους πελάτες της, εκτός αν:

- ◆ Το προϊόν έχει χρησιμοποιηθεί σε εργασιακό, επαγγελματικό περιβάλλον ή αν έχει ενοικιαστεί
- ◆ Έχει γίνει εσφαλμένη χρήση του προϊόντος ή αν έχει παραμεληθεί
- ◆ Το προϊόν έχει υποστεί βλάβη από άλλα αντικείμενα, από ουσίες ή λόγω ατυχήματος
- ◆ Έχει γίνει προσπάθεια επισκευής από μη εξουσιοδοτημένα κέντρα επισκευών ή από προσωπικό που δεν ανήκει στο προσωπικό της Black & Decker

Για να ισχύσει η εγγύηση, πρέπει να υποβάλετε απόδειξη αγοράς στον πωλητή ή το εξουσιοδοτημένο κέντρο επισκευών. Ενημερωθείτε για το πλησιέστερο κέντρο επισκευών της περιοχής σας, επικοινωνώντας με τα γραφεία της Black & Decker στη διεύθυνση που αναγράφεται στο εγχειρίδιο. Επίσης, για να πληροφορηθείτε για τα εξουσιοδοτημένα κέντρα επισκευών της Black & Decker, τις λεπτομέρειες και τους αρμόδιους των υπηρεσιών που παρέχονται μετά την πώληση, μπορείτε να ανατρέξετε στο Διαδίκτυο στη διεύθυνση: **www.2helpU.com**

Παρακαλούμε να επισκεφτείτε την ιστοσελίδα μας **www.blackanddecker.com** για να καταχωρήσετε το νέο σας προϊόν Black & Decker και για να ενημερώνεστε για τα νέα προϊόντα και τις ειδικές προσφορές. Περισσότερες πληροφορίες σχετικά με τη μάρκα Black & Decker και τη σειρά προϊόντων μας θα βρείτε στη διεύθυνση **www.blackanddecker.com**





| | | |
|---------------------------------|--|---|
| Australia | Black & Decker (Australia) Pty. Ltd. 20 Fletcher Road, Mooroolbark, Victoria, 3138 | Tel. 03-8720 5100 Fax 03-9727 5940 |
| België/Belgique | Black & Decker (Belgium) N.V. Campus Noord, Schaliënhoevedreef 20E 2800 Mechelen | Tel. 015 - 47 92 11 Fax 015 - 47 92 10 |
| Danmark | Black & Decker Sluseholmen 2-4, 2450 København SV Internet: www.blackanddecker.dk | Tel. 70 20 15 30 Fax 36 94 49 01 |
| Deutschland | Black & Decker GmbH Black & Decker Str. 40, D - 65510 Idstein | Tel. 06126/21 - 0 Fax 06126/21 29 80 |
| Ελλάδα | Black & Decker (Ελλάς) Α.Ε. Στράβωνος 7 & Λεωφ. Βουλιαγμένης 159 166 74 Γλυφάδα - Αθήνα | Τηλ. 210 8981616 Τηλ. 210 8982630 Φαξ Service 210 8983285 |
| España | Black & Decker Ibérica, S.C.A. Parque de Negocios "Mas Blau" Edificio Muntadas, c/Bergadá, 1, Of. A6 08820 El Prat de Llobregat (Barcelona) | Tel. 934 797 400 Fax 934 797 419 |
| France | Black & Decker (France) S.A.S. B.P. 21, 69571 Dardilly Cédex | Tel. 04 72 20 39 20 Fax 04 72 20 39 00 |
| Helvetia | RÖFO AG Gewerbezone Seeblick 3213 Kleinbödingen | Tel. 026-6749391 Fax 026-6749394 |
| Italia | Black & Decker Italia SpA Viale Elvezia 2 20052 Monza (MI) | Tel. 039-23871 Fax 039-2387592/2387594 Numero verde 800-213935 |
| Nederland | Black & Decker Benelux Joulehof 12, 4622 RG Bergen op Zoom | Tel. 0164 - 283000 Fax 0164 - 283100 |
| New Zealand | Black & Decker 81 Hugo Johnston Drive Penrose, Auckland, New Zealand | Tel. 09 579 7600 Fax 09 579 8200 |
| Norge | Black & Decker (Norge) A/S Postboks 4814, Nydalen, 0422 Oslo Internet: www.blackanddecker.no | Tif. 22 90 99 00 Fax 22 90 99 01 |
| Österreich | Black & Decker Vertriebsges.m.b.H Erlaaerstraße 165, 1231 Wien | Tel. 01 66116-0 Fax 01 66116-14 |
| Portugal | Black & Decker Rua Egas Moniz 173 S. João do Estoril 2766-651 Estoril | Tel. 214667500 Fax 214667575 |
| Suomi | Black & Decker Oy Keilasatama 3, 02150 Espoo Black & Decker Oy, Kägelhamnen 3, 02150 Esbo | Puh.: 010 400 430 Faksi: (09) 2510 7100 Tel: 010 400 430 Fax: (09) 2510 7100 |
| Sverige | Black & Decker AB Fabriksg. 7, 412 50 Göteborg | Tel: 031-68 60 60 Fax: 031-68 60 80 |
| Türkiye | İntratek Mühendislik ve Dış Tic. A.Ş. Ortaklar Cad. No:19/2 80290 Mecidiyeköy / İstanbul | Tel. 0212 211 22 10 Faks 0212 266 33 03 |
| United Kingdom | Black & Decker 210 Bath Road Slough, Berkshire SL1 3YD | Tel. 01753 511234 Fax 01753 551155 Helpline 01753 574277 |
| Middle East & Africa | Black & Decker (Overseas) A.G. PB 5420, Dubai, United Arab Emirates | Tel. +971 4 2826464 Fax +971 4 2826466 |

Dealer address
Händleradresse
Cachet du revendeur
Indirizzo del rivenditore
Adres van de dealer
Dirección del detallista
Morada do revendedor
Återförsäljarens adress
Forhandlerens adresse
Forhandler adresse
Jälleenmyyjän osoite
Διεύθυνση αντιπροσώπου

Date of purchase
Kaufdatum
Date d'achat
Data d'acquisto
Aankoopdatum
Fecha de compra
Data de compra
Inkõpsdatum
Innkjøpsdato
Indkøbsdato
Osttopäivä
Ημερομηνία αγοράς

◆ Name ◆ Nom ◆ Nome
◆ Naam ◆ Nombre ◆ Nome ◆ Namn
◆ Navn ◆ Navn ◆ Nimi ◆ Ovojna:

◆ Address ◆ Adresse ◆ Adresse ◆ Indirizzo ◆
Adres ◆ Dirección ◆ Morada ◆ Address ◆
Adresse ◆ Adresse ◆ Osoite ◆ Διεύθυνση:

◆ Town ◆ Ort ◆ Ville ◆ Città ◆ Plaats
◆ Ciudad ◆ Localidade ◆ Ort ◆ By ◆ By
◆ Paikkakunta ◆ Πόλη:

◆ Postal code ◆ Postleitzahl ◆ Code postal ◆
Codice postale ◆ Postcode
◆ Código ◆ Código postal ◆ Postnr.
◆ Postnr. ◆ Postnr. ◆ Postnummero
◆ Κωδικός

◆ Is this tool a gift? ◆ Ist dieses Gerät ein
Geschenk? ◆ S'agit-il d'un cadeau? ◆ Si tratta
di un regalo? ◆ Kreeg u de machine als cadeau?
◆ ¿Ha recibido usted esta herramienta como
regalo? ◆ Reçebeu esta ferramenta como
presente? ◆ Är verktyget en gåva?
◆ Er verktoyet en gave? ◆ Er verktojet en gave?
◆ Onko kone lahja? ◆ Το εργαλείο είναι δώρο?

◆ Yes ◆ Ja ◆ Oui ◆ Si ◆ Ja ◆ Si ◆
 ◆ Sim ◆ Ja ◆ Ja ◆ Ja ◆ Kyllä ◆ Nαι

◆ No ◆ Nein ◆ Non ◆ No ◆ Nee
◆ No ◆ Não ◆ Nej ◆ Nei ◆ Nej
◆ Ei ◆ Oxi

◆ Is this tool your first purchase? ◆ Ist dieses
Gerät ein Erstkauf? ◆ Est-ce un 1er achat? ◆
Questo prodotto è il suo primo acquisto? ◆ Is
deze machine uw eerste aankoop? ◆ ¿Es esta
herramienta la primera de este tipo?
◆ Esta ferramenta é a primeira compra? ◆
Är detta ditt första B&D-verktyg? ◆ Er dette ditt
første B&D verktoy? ◆ Er dette ditt første B&D
verktøj? ◆ Onko tämä ensimmäinen B&D-

koneesi? ◆ Είναι το εργαλείο αυτό η
πρώτη σας αγορά?

◆ Yes ◆ Ja ◆ Oui ◆ Si ◆ Ja ◆ Si
 ◆ Sim ◆ Ja ◆ Ja ◆ Ja ◆ Kyllä ◆ Nαι

◆ No ◆ Nein ◆ Non ◆ No ◆ Nee
◆ No ◆ Não ◆ Nej ◆ Nei ◆ Nej
◆ Ei ◆ Oxi

◆ Dealer address ◆ Händleradresse
◆ Cachet du revendeur ◆ Indirizzo del
rivenditore ◆ Adres van de dealer
◆ Dirección del detallista ◆ Morada do
revendedor ◆ Återförsäljarens adress
◆ Forhandlerens adresse ◆ Forhandler adresse
◆ Jälleenmyyjän osoite
◆ Διεύθυνση αντιπροσώπου

Cat. no.:



- ◆ GUARANTEE CARD
- ◆ GARANTIEKAART
- ◆ GARANTI KORT
- ◆ GARANTIEKARTE
- ◆ TARJETA DE GARANTÍA
- ◆ GARANTI KORT
- ◆ CARTE DE GARANTIE
- ◆ CARTÃO DE GARANTIA
- ◆ TAKUUKORTTI
- ◆ TAGLIANDO DI GARANZIA
- ◆ GARANTIBEVIS
- ◆ KAPTA EFTYHSHZ



English

Please complete this section immediately after the purchase of your tool and send it to Black & Decker in your country. If you live in Australia or New Zealand, please register by using the alternative guarantee card supplied.

Deutsch

Bitte schneiden Sie diesen Abschnitt ab, stecken ihn in einen frankierten Umschlag und schicken ihn an die Black & Decker Adresse Ihres Landes.

Français

Découpez cette partie et envoyez-la sous enveloppe timbrée à l'adresse de Black & Decker dans votre pays, ceci immédiatement après votre achat.

Italiano

Per favore ritagliate questa parte, inseritela in una busta con francobollo e spedite la subito dopo l'acquisto del prodotto all'indirizzo della Black & Decker nella vostra nazione.

Nederlands

Knip dit gedeelte uit en zend het direct na aankoop in een gefrankeerde, geaddresseerde envelop naar het adres van Black & Decker in uw land.

Español

Después de haber comprado su herramienta envíe usted, por favor, esta tarjeta a la central de Black & Decker en su país.

Português

Por favor, recorte esta parte, coloque-a num envelope selado e endereçado e envie-o logo após a compra do seu produto para o endereço da Black & Decker do seu país.

Svenska

Var vänlig klipp ur denna del och sänd den i ett frankerat kuvert till Black & Deckers adress i Ditt land.

Norsk

Vennligst klipp ut denne delen umiddelbart etter du har pakket ut ditt produkt og legg det i en adressert konvolutt til Black & Decker (Norge) AS.

Dansk

Venligst klip denne del ud og send frankeret til Black & Decker i dit land.

Suomi

Leikkaa irti tämä osa, laita se kuoreen ja postita kuori paikalliseen Black & Decker osoitteeseen.

Ελληνικά

Παράκατω κόψτε αυτό το κομμάτι και ταχυδρομήστε το queóωç μετá τñν αγορά του προϊόντος σας στην óευθυνση της Black & Decker στην Ελλάδα.