

www.blackanddecker.eu

CS2040
CS2245

EN

DE

FR

IT

NL

ES

PT

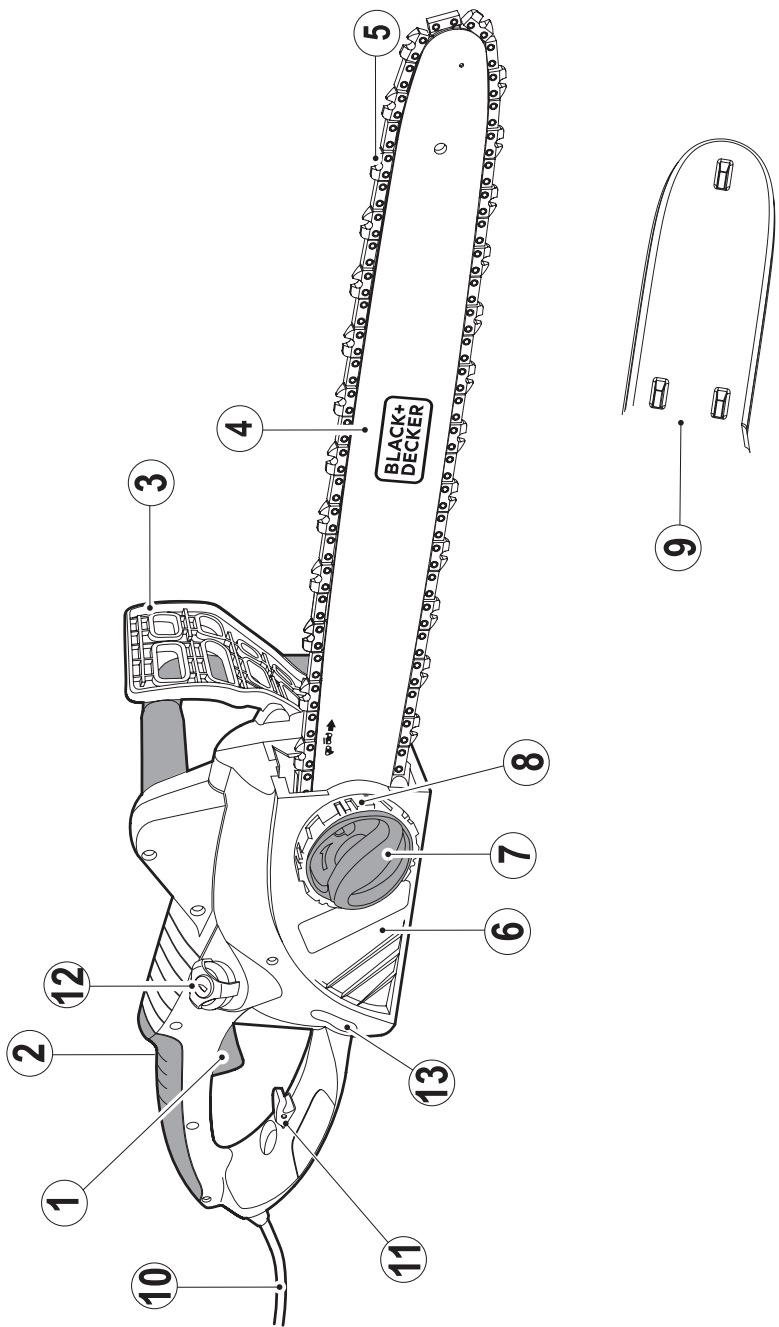
SV

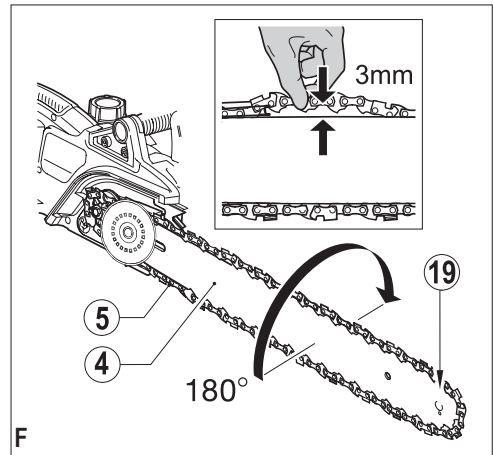
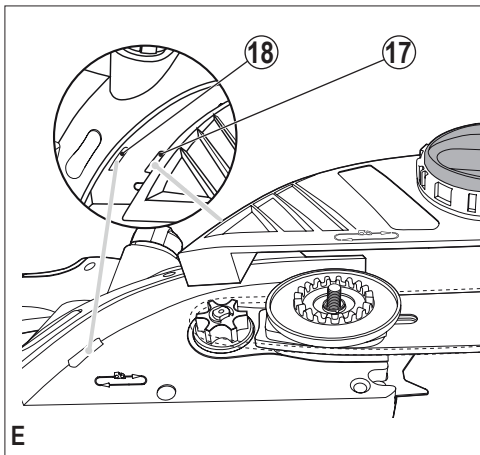
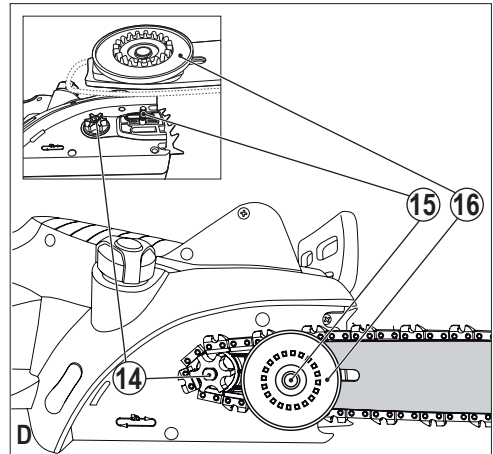
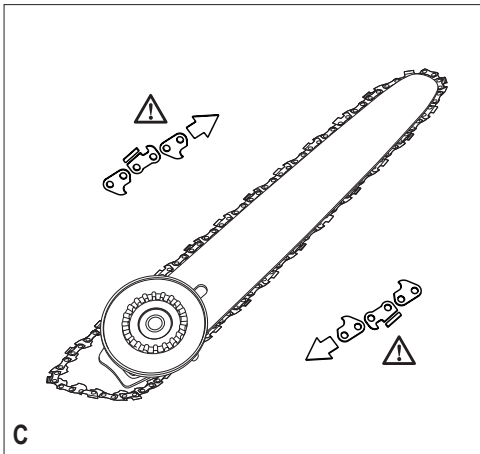
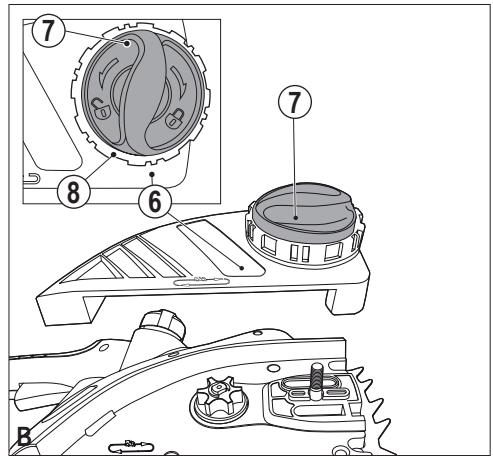
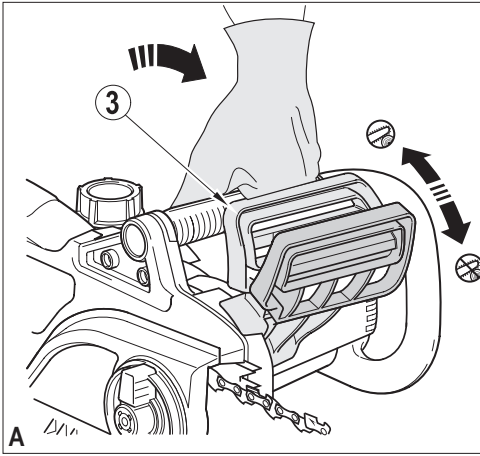
NO

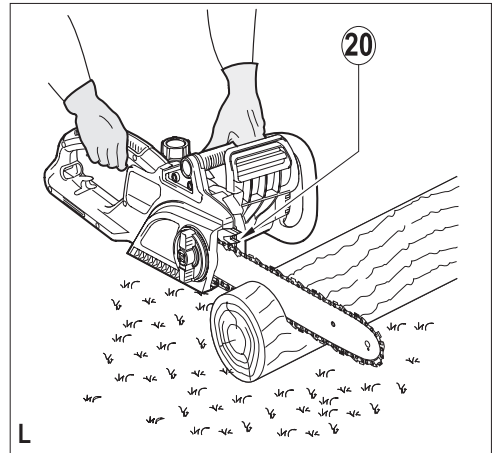
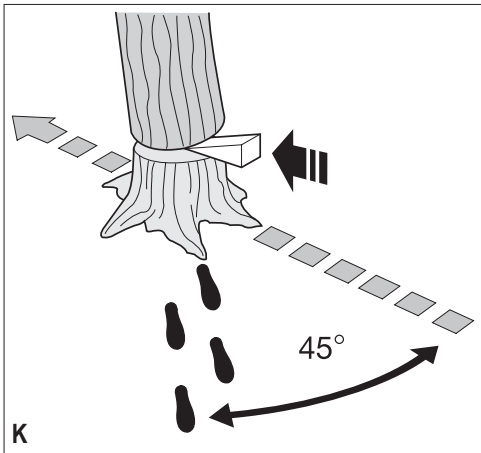
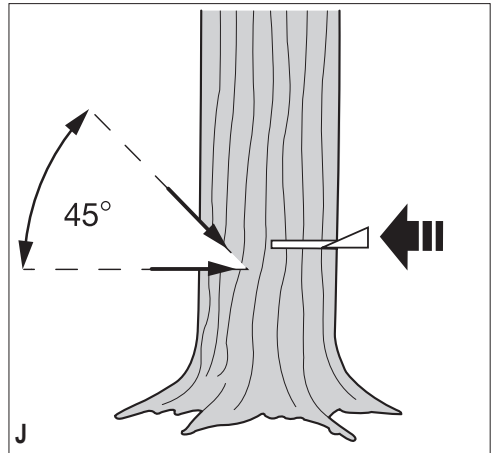
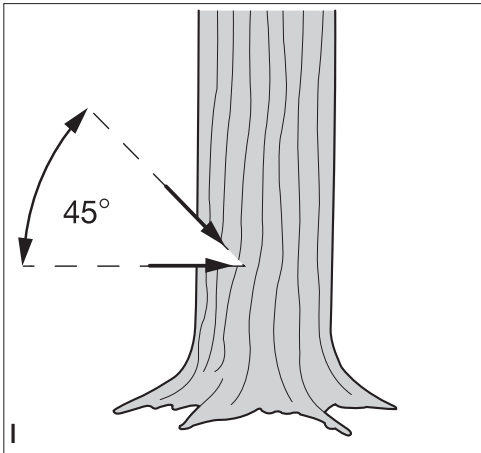
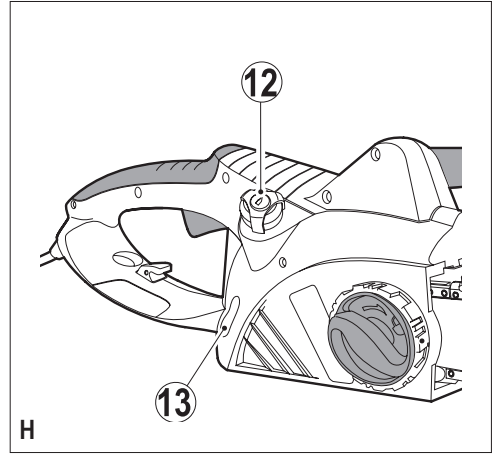
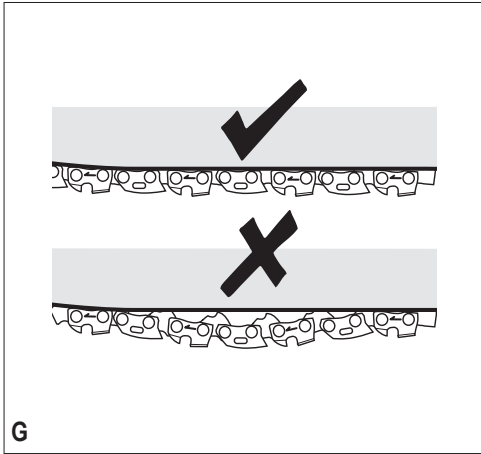
DK

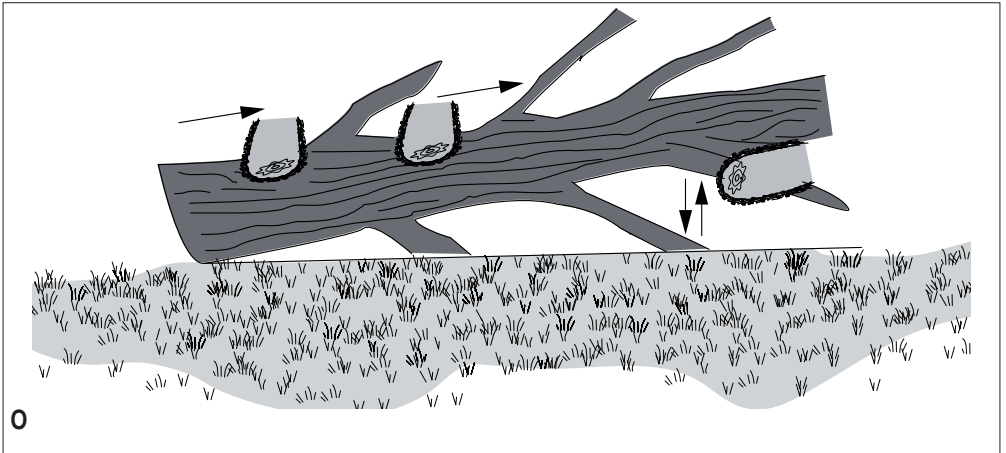
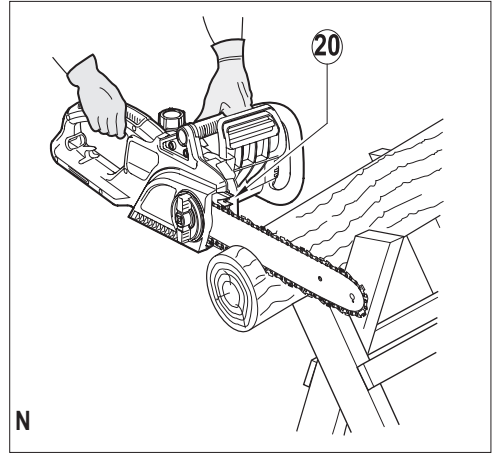
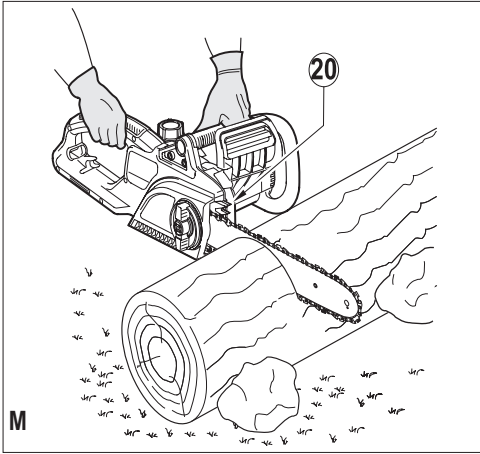
FI

EL









Intended use

Your BLACK+DECKER™ chainsaw has been designed for pruning and felling trees and cutting logs. This tool is intended for consumer use only.

Safety instructions

General power tool safety warnings



Warning! Read all safety warnings and all instructions. Failure to follow the warnings and instructions listed below may result in electric shock, fire and/or serious injury.

Save all warnings and instructions for future reference.

The term "power tool" in all of the warnings listed below refers to your mains operated (corded) power tool or battery operated (cordless) power tool.

1. Work area safety

- a. **Keep work area clean and well lit.** Cluttered or dark areas invite accidents.
- b. **Do not operate power tools in explosive atmospheres, such as in the presence of flammable liquids, gases or dust.** Power tools create sparks which may ignite the dust or fumes.
- c. **Keep children and bystanders away while operating a power tool.** Distractions can cause you to lose control.

2. Electrical safety

- a. **Power tool plugs must match the outlet. Never modify the plug in any way. Do not use any adapter plugs with earthed (grounded) power tools.** Unmodified plugs and matching outlets will reduce risk of electric shock.
- b. **Avoid body contact with earthed or grounded surfaces such as pipes, radiators, ranges and refrigerators.** There is an increased risk of electric shock if your body is earthed or grounded.
- c. **Do not expose power tools to rain or wet conditions.** Water entering a power tool will increase the risk of electric shock.
- d. **Do not abuse the cord. Never use the cord for carrying, pulling or unplugging the power tool. Keep cord away from heat, oil, sharp edges or moving parts.** Damaged or entangled cords increase the risk of electric shock.
- e. **When operating a power tool outdoors, use an extension cord suitable for outdoor use.** Use of a cord suitable for outdoor use reduces the risk of electric shock.
- f. **If operating a power tool in a damp location is unavoidable, use a residual current device (RCD) protected supply.** Use of an RCD reduces the risk of electric shock.

3. Personal safety

- a. **Stay alert, watch what you are doing and use common sense when operating a power tool. Do not use a power tool while you are tired or under the influence of drugs, alcohol or medication.** A moment of inattention while operating power tools may result in serious personal injury.
 - b. **Use personal protective equipment. Always wear eye protection.** Protective equipment such as dust mask, non-skid safety shoes, hard hat, or hearing protection used for appropriate conditions will reduce personal injuries.
 - c. **Prevent unintentional starting. Ensure the switch is in the off-position before connecting to power source and/or battery pack, picking up or carrying the tool.** Carrying power tools with your finger on the switch or energising power tools that have the switch on invites accidents.
 - d. **Remove any adjusting key or wrench before turning the power tool on.** A wrench or a key left attached to a rotating part of the power tool may result in personal injury.
 - e. **Do not overreach. Keep proper footing and balance at all times.** This enables better control of the power tool in unexpected situations.
 - f. **Dress properly. Do not wear loose clothing or jewellery. Keep your hair, clothing and gloves away from moving parts.** Loose clothes, jewellery or long hair can be caught in moving parts.
 - g. **If devices are provided for the connection of dust extraction and collection facilities, ensure these are connected and properly used.** Use of dust collection can reduce dust-related hazards.
- #### 4. Power tool use and care
- a. **Do not force the power tool. Use the correct power tool for your application.** The correct power tool will do the job better and safer at the rate for which it was designed.
 - b. **Do not use the power tool if the switch does not turn it on and off.** Any power tool that cannot be controlled with the switch is dangerous and must be repaired.
 - c. **Disconnect the plug from the power source and/or the battery pack from the power tool before making any adjustments, changing accessories, or storing power tools.** Such preventive safety measures reduce the risk of starting the power tool accidentally.
 - d. **Store idle power tools out of the reach of children and do not allow persons unfamiliar with the power tool or these instructions to operate the power tool.** Power tools are dangerous in the hands of untrained users.

- e. **Maintain power tools. Check for misalignment or binding of moving parts, breakage of parts and any other condition that may affect the power tools operation. If damaged, have the power tool repaired before use.** Many accidents are caused by poorly maintained power tools.
 - f. **Keep cutting tools sharp and clean.** Properly maintained cutting tools with sharp cutting edges are less likely to bind and are easier to control.
 - g. **Use the power tool, accessories and tool bits etc. in accordance with these instructions, taking into account the working conditions and the work to be performed.** Use of the power tool for operations different from those intended could result in a hazardous situation.
5. **Service**
- a. **Have your power tool serviced by a qualified repair person using only identical replacement parts.** This will ensure that the safety of the power tool is maintained.

Additional power tool safety warnings



Warning! Additional safety warnings for chainsaws

- ◆ **Keep all parts of the body away from the saw chain when the chainsaw is operating. Before you start the chainsaw, make sure the saw chain is not contacting anything.** A moment of inattention while operating chain saws may cause entanglement of your clothing or body with the chain saw.
- ◆ **Always hold the chainsaw with your right hand on the rear handle and your left hand on the front handle.** Holding the chainsaw with a reversed hand configuration increases the risk of personal injury and should never be done.
- ◆ **Hold the power tool by insulated gripping surfaces only, because the saw chain may contact hidden wiring or its own cord.** Saw chains contacting a "live" wire may make exposed metal parts of the power tool "live" and could give the operator an electric shock.
- ◆ **Wear safety glasses and hearing protection. Further protective equipment for head, hands, legs and feet is recommended.** Adequate protective clothing will reduce personal injury by flying debris or accidental contact with the saw chain.
- ◆ **Do not operate a chainsaw in a tree.** Operation of a chainsaw while up in a tree may result in personal injury.
- ◆ **Always keep proper footing and operate the chain saw only when standing on fixed, secure and level surface.** Slippery or unstable surfaces such as ladders may cause a loss of balance or control of the chainsaw.

- ◆ **When cutting a limb that is under tension be alert for spring back.** When the tension in the wood fibres is released the spring loaded limb may strike the operator and/or throw the chain saw out of control.
- ◆ **Use extreme caution when cutting brush and saplings.** The slender material may catch the saw chain and be whipped toward you or pull you off balance.
- ◆ **Carry the chain saw by the front handle with the chain saw switched off and away from your body. When transporting or storing the chainsaw always fit the guide bar cover.** Proper handling of the chain saw will reduce the likelihood of accidental contact with the moving saw chain.
- ◆ **Follow instructions for lubricating, chain tensioning and changing accessories.** Improperly tensioned or lubricated chain may either break or increase the chance for kickback
- ◆ **Keep handles dry, clean, and free from oil and grease.** Greasy, oily handles are slippery causing loss of control.
- ◆ **Cut wood only. Do not use chainsaw for purposes not intended. For example: do not use the chainsaw for cutting plastic, masonry or non-wood building materials.** Use of the chainsaw for operations different than intended could result in a hazardous situation.

Causes and operator prevention of kickback

Kickback may occur when the nose or tip of the guide bar touches an object, or when the wood closes in and pinches the saw chain in the cut.

Tip contact in some cases may cause a sudden reverse reaction, kicking the guide bar up and back towards the operator. Pinching the saw chain along the top of the guide bar may push the guide bar rapidly back towards the operator.

Either of these reactions may cause you to lose control of the chainsaw which could result in serious personal injury. Do not rely exclusively upon the safety devices built into your chainsaw. As a chainsaw user, you should take several steps to keep your cutting jobs free from accident or injury. Kickback is the result of tool misuse and / or incorrect operating procedures or conditions and can be avoided by taking proper precautions as given below:

- ◆ **Maintain a firm grip, with thumbs and fingers encircling the chainsaw handles. With both hands on the chainsaw, position your body and arm to allow you to resist kickback forces.** Kickback forces can be controlled by the operator, if proper precautions are taken. Do not let go of the chainsaw.
- ◆ **Do not overreach and do not cut above shoulder height.** This helps prevent unintended tip contact and enables better control of the chainsaw in unexpected situations.

- ◆ **Only use replacement guide bars and chains specified by the manufacturer.** Incorrect replacement guide bars and chains may cause chain breakage and/or kickback.
- ◆ **Follow the manufacturer's sharpening and maintenance instructions for the saw chain.** Decreasing the depth gauge height can lead to increased kickback.
- ◆ Striking metal, cement or any other hard material near the wood, or buried in the wood can cause kickback.
- ◆ A dull or loose chain can cause kickback.
- ◆ Do not try to insert into a previous cut. As this could cause kickback. Make a fresh cut every time.

Safety recommendations for the chainsaw

- ◆ We strongly recommend that first time users obtain practical instruction in the use of the chainsaw and protective equipment from an experienced user. Initial practice should be completed sawing logs on a saw horse or cradle.
- ◆ Maintain your chainsaw when not in use. Do not store your chainsaw for any length of time without first removing the saw chain and guide bar which should be kept immersed in oil. Store all parts of your chainsaw in a dry, secure place out of reach of children.
- ◆ We recommend you drain the oil reservoir prior to storage.
- ◆ Be sure of your footing and pre-plan a safe exit from a falling tree or branches.
- ◆ Use wedges to help control felling and prevent binding the guide bar and saw chain in the cut.
- ◆ Saw chain care. Keep the saw chain sharp and snug on the guide bar. Ensure the saw chain and guide bar are clean and well oiled. Keep handles dry, clean and free from oil and grease.

Avoid cutting

- ◆ Prepared timber.
- ◆ Into the ground.
- ◆ Into wire fences, nails, etc.

Additional safety instructions

- ◆ Ensure someone is nearby (but at a safe distance) in case of an accident.
- ◆ If for any reason you have to touch the saw chain, make sure your chainsaw is disconnected from the mains.
- ◆ The noise from this product can exceed 85 dB(A). We therefore recommend you take appropriate measures for the protection of hearing.
- ◆ **When handling the product the chain bar may become hot, handle with care.**

Safety of others

- ◆ This appliance is not intended for use by persons (including children) with reduced physical, sensory or mental capabilities, or lack of experience and knowledge, unless they have been given supervision or instruction concerning use of the appliance by a person responsible for their safety.
- ◆ Children should be supervised to ensure that they do not play with the appliance.

Residual risks.

Additional residual risks may arise when using the tool which may not be included in the enclosed safety warnings. These risks can arise from misuse, prolonged use etc.

Even with the application of the relevant safety regulations and the implementation of safety devices, certain residual risks can not be avoided. These include:

- ◆ Injuries caused by touching any rotating/moving parts.
- ◆ Injuries caused when changing any parts, blades or accessories.
- ◆ Injuries caused by prolonged use of a tool. When using any tool for prolonged periods ensure you take regular breaks.
- ◆ Impairment of hearing.
- ◆ Health hazards caused by breathing dust developed when using your tool (example:- working with wood, especially oak, beech and MDF.)

Vibration

The declared vibration emission values stated in the technical data and the declaration of conformity have been measured in accordance with a standard test method provided by EN 60745 and may be used for comparing one tool with another. The declared vibration emission value may also be used in a preliminary assessment of exposure.

Warning! The vibration emission value during actual use of the power tool can differ from the declared value depending on the ways in which the tool is used. The vibration level may increase above the level stated.

When assessing vibration exposure to determine safety measures required by 2002/44/EC to protect persons regularly using power tools in employment, an estimation of vibration exposure should consider, the actual conditions of use and the way the tool is used, including taking account of all parts of the operating cycle such as the times when the tool is switched off and when it is running idle in addition to the trigger time.

Labels on tool

The following pictograms are shown on the tool:



Warning! To reduce the risk of injury, the user must read the instruction manual.



Wear safety glasses or goggles when operating this tool.



Wear ear protection when operating this tool.



Do not expose the tool to rain or high humidity.



Directive 2000/14/EC guaranteed sound power.



Remove plug from the mains immediately if the cable is damaged or cut.



Caution: Do not over tighten. Tighten by hand. Finger tight only.

Electrical safety



This tool is double insulated; therefore no earth wire is required. Always check that the power supply corresponds to the voltage on the rating plate.

- ◆ If the supply cord is damaged, it must be replaced by the manufacturer or an authorised BLACK+DECKER Service Centre in order to avoid a hazard.

Using an extension cable

- ◆ Always use an approved extension cable suitable for the power input of this tool (see technical data). The extension cable must be suitable for outdoor use and marked accordingly. Up to 30 m of HO7RN-F 2 X 1.5 mm² extension cable can be used without loss of product performance. Before use, inspect the extension cable for signs of damage, wear and ageing. Replace the extension cable if damaged or defective. When using a cable reel, always unwind the cable completely.

Voltage drops

- ◆ Under certain power supply conditions this product may cause short-time voltage drops during start-up.
- ◆ Other equipment may be affected. For example, electric lights may temporarily reduce in brightness.
- ◆ Contact the supply authority, if necessary, to determine that the impedance of the power supply is lower than 0.172/0.293 ohms. Disturbances are unlikely to occur under this condition.

Guard against electric shock

- ◆ Prevent body contact with earthed or grounded surfaces (e.g. metal railings, lamp-posts etc.). Electric safety can be further improved by using a high-sensitivity (30 mA/30mS) Residual Current Device (RCD).



Warning! The use of an RCD or other circuit breaker unit does not release the operator of your chainsaw from the safety instructions and safe working practices given in this user manual.

Features

1. On/off switch
2. Lock-off button
3. Front guard/chain brake assembly
4. Guide bar
5. Chain
6. Chain cover assembly
7. Chain adjust locking knob
8. Chain tension adjustment wheel
9. Chain sheath
10. Power cord
11. Power cord retainer
12. Oil cap
13. Oil level indicator

Assembly



Warning! Always wear protective gloves when working on your chainsaw.



Warning! Before performing any assembly or maintenance on power tools, switch off and disconnect from mains.



Warning! Remove the cable tie that attaches the chain to the chainbar before assembly.

Oiling the chain

You must do this whenever you use a new chain (5) for the first time. Take the new chain (5) and soak it in chain oil for at least an hour before using it. Use BLACK+DECKER chain oil. We recommend that you use only BLACK+DECKER oil during the lifetime of your chainsaw because mixtures of different oils could lead to the oil becoming degraded, which can drastically shorten the lifetime of the saw chain and create additional risks.

Never use waste oil, thick oil or very thin sewing machine oil. These may damage your chainsaw.

Fitting the guide bar and chain. (fig. A - E)

- ◆ Place the chainsaw onto a stable surface.
- ◆ Set the front guard/chain brake assembly (3) to the forward position (fig. A).
- ◆ Rotate the chain adjust locking knob (7) counterclockwise to remove the chain cover assembly (6) (fig. B).
- ◆ Place the chain (5) over the guide bar (4) making sure that the saw chain cutters on the upper part of the guide bar (4) face towards the front (fig. C).
- ◆ Guide the chain (5) around the guide bar (4) and pull it to create a loop to one side at the rear end of the guide bar (4).
- ◆ Guide the chain (5) around the drive sprocket (14), line up the slot in the guide bar and the centre hole of the chain tensioning wheel (16) with the bolt (15) (fig. D).

Note: rotate chain tensioning wheel as necessary to line centre hole with bolt (15).

Warning! Make sure that the front guard/chain brake assembly (3) is in the set (forward) position before refitting (fig. A).

- ◆ Place the chain cover assembly (6) onto the chainsaw.
- ◆ Make sure that the tab (17) on the chain cover assembly locates correctly into the slot (18) on the main housing (fig. E).
- ◆ Rotate the chain adjust locking knob (7) clockwise until snug.
- ◆ Check the tension - see 'Checking the chain tension' below.
- ◆ If chain tension is loose - see 'Increasing the chain tension' below.

Checking the chain tension (insert fig. F)

Before use and after every 10 minutes of use, you must check the chain tension.

- ◆ Disconnect the tool from the mains supply
- ◆ Lightly pull on the chain (5) as shown (inset fig. F). The tension is correct when the chain (5) snaps back after being pulled 3 mm away from the guide bar (4). There should be no "sag" between the guide bar (4) and the chain (5) on the underside (fig. G).

Increasing the chain tension (fig. B)

- ◆ Loosen the chain adjust locking knob (7) counterclockwise one half turn.
- ◆ Turn the chain tension adjustment wheel (8) clockwise until slight resistance is felt.
- ◆ Check tension - see 'Checking the chain tension'.
 - ◆ If satisfactory, re-tighten locking knob (7), or if more tension is required, turn adjustment wheel (8). Then re-tighten locking Knob (7).

Note: Do not over-tension the chain as this will lead to excessive wear and will reduce the life of the guide bar and the chain.

Note: When the chain is new, check the tension frequently (after disconnecting from the mains) during the first 2 hours of use because a new chain stretches slightly.

Use

Warning! Let the tool work at its own pace. Do not overload.

Filling the oil reservoir (fig. H)

- ◆ Remove the oil cap (12) and fill the reservoir with the recommended chain oil. You can see the oil level in the oil level indicator (13). Refit the oil cap (12).
- ◆ Periodically switch off and check the oil level indicator (13); if it is less than a quarter full, disconnect your chainsaw from the mains supply and refill with the correct oil.

This chainsaw is equipped with an automatic oiling system that keeps the saw chain and guide bar constantly lubricated. We recommend that you use only BLACK+DECKER oil during the lifetime of your chainsaw because mixtures of different oils could lead to the oil becoming degraded, which can drastically shorten the lifetime of the saw chain and create additional risks.

Never use waste oil, thick oil or very thin sewing machine oil. These may damage your chainsaw. Only use the correct grade of oil (cat. no. A6023-QZ).

- ◆ The chain saw will automatically feed oil to the chain during use.

How to set the chain brake (fig. A)

- ◆ Make sure that the tool is disconnected from the mains supply.
- ◆ Pull the front guard/chain brake assembly (3) back into the "set" (fig. A) position.
- ◆ The tool is now ready to use.

Switching on

Note: It will not be possible to switch the tool on if the front guard/chain brake assembly is not in the "set" position.

- ◆ Grip your chainsaw firmly with both hands. Push the lock-off button (2) and then push the on/off switch (1) to start.

- ◆ When the motor starts, remove your thumb from the lock button (2) and grip the handle firmly.

Do not force the tool, allow the tool to do the work. It will do a better and safer job at the speed for which it is designed. Excessive force will stretch the saw chain (5).

How the anti-kickback chain brake works

In the event of kickback, your left hand comes in contact with the front guard, pushing it forwards, toward the workpiece, and stops the tool within a few fractions of a second.

How to test the anti-kickback chain brake (fig. A)

- ◆ Always check that the kickback brake operates correctly before use.
- ◆ Grip the tool firmly in both hands on a firm surface make sure the saw chain (5) is clear of the ground and switch on (see "How to switch the chainsaw on").
- ◆ Rotate your left hand forward around the front handle so that the back of your hand comes in contact with the front guard/chain brake assembly (3) and push it forwards, toward the workpiece (fig. A). The saw chain (5) should stop within a few fractions of a second.

To reset after the operation of the front guard/chain brake assembly (3) follow the instructions for "How to set the chain brake".

Note: Avoid re-starting the tool until you hear the motor come to a complete rest.

Note: If chain brake in malfunctioning take the product to an approved BLACK+DECKER service centre.

If the saw chain (5) or guide bar (4) becomes jammed

- ◆ Switch the tool off.
- ◆ Disconnect the tool from the mains supply.
- ◆ Open the cut with wedges to relieve the strain on the guide bar (4). Do not try to wrench the chainsaw free.
- ◆ Start a fresh cut.

Felling (fig. I - K)

Inexperienced users should not attempt to fell trees. The user may suffer injury or cause damage to property as a result of failure to control the direction of fall, the tree may splinter or damaged/dead branches may fall during cutting.

The safe distance between a tree to be felled and bystanders, buildings and other objects is at least 2 1/2 times the height of the tree. Any bystander, building or object within this distance is at risk from being struck by the tree when felled.

Before attempting to fell a tree:

- ◆ Make sure that there are no local by-laws or regulations that would prohibit or control the felling of the tree.
- ◆ Consider all conditions that may affect the direction of fall, including:

- ◆ The intended direction of fall.
- ◆ The natural lean of the tree.
- ◆ Any unusual heavy limb structure or decay.
- ◆ Surrounding trees and obstacles including overhead lines and underground drains.
- ◆ The wind speed and direction.

Pre-plan a safe exit from falling trees or branches. Make sure that the exit route is clear of obstacles that would prevent or hinder movement. Remember that wet grass and freshly cut bark is slippery.

- ◆ Do not attempt to fell trees where the tree diameter is greater than the cutting length of the chainsaw.
- ◆ Cut a direction notch to determine the direction of fall.
- ◆ Make a horizontal cut to a depth of between 1/5th and 1/3rd of the diameter of the tree, perpendicular to the line of fall at the base of the tree (fig. I).
- ◆ Make a second cut from above to intersect with the first and make a notch of about 45°.
- ◆ Make a single horizontal felling cut from the other side 25 mm to 50 mm above the centre of the direction notch. (fig. J). Do not cut through to the direction notch, you could lose control of the direction of fall.
- ◆ Drive a wedge or wedges into the felling cut to open it and drop the tree (fig. K).

Pruning trees

Make sure that there are no local by-laws or regulations that would prohibit or control the pruning of the tree limbs. Pruning should only be undertaken by experienced users there is an increased risk of the saw chain pinching and kick back.

Before pruning consideration should be given to conditions affecting the direction of fall including:

- ◆ The length and weight of the branch to be cut.
- ◆ Any unusual heavy limb structure or decay.
- ◆ Surrounding trees and obstacles including overhead.
- ◆ The wind speed and direction.
- ◆ The branch being intertwined with other branches.

The operator should consider access to the tree limb and the direction of fall. The tree branch is liable to swing towards the tree trunk. In addition to the user bystanders, objects and property below the branch will be at risk.

- ◆ To avoid splintering, make the first cut in an upward direction to a maximum depth of one third the diameter of the branch.
- ◆ Make the second cut downwards to meet the first.

Logging (fig. L - O)

How you should cut depends on how the log is supported. Use a saw horse whenever possible. Always start a cut with the saw chain running and the spiked bumper (20) in contact with the wood (fig. L). To complete the cut use a pivoting action of the spiked bumper against the wood.

When supported along its whole length:

- ◆ Make a downward cut, but avoid cutting the earth as this will blunt your saw chain quickly.

When supported at both ends:

- ◆ First, cut one third down to avoid splintering and second, cut up to meet the first cut.

When supported at one end:

- ◆ First cut one third up to avoid splintering and second, cut down to prevent splintering.

When on a slope:

- ◆ Always stand on the uphill side.

When attempting to cut a log on the ground (fig. M):

- ◆ Secure the workpiece using chocks or wedges. The user or a bystander should not steady the log by sitting or standing on it. Make sure that the saw chain does not contact the ground.

When using a saw horse (fig. N):

This is strongly recommended whenever possible.

- ◆ Position the log in a stable position. Always cut on the outside of the saw horse arms. Use clamps or straps to secure the workpiece.

Limbing (fig. O)

Removing the branches from a fallen tree. When limbing, leave larger lower limbs to support the log off the ground. Remove the small limbs in one cut. Branches under tension should be cut from the bottom of the branch towards the top to avoid binding the chain saw.

Trim limbs from opposite side keeping tree stem between you and saw. Never make cuts with saw between your legs or straddle the limb to be cut.

Troubleshooting

Problem	Possible cause	Possible solution
Tool will not start	Lock button not pressed.	Press the lock button.
	Front guard in the brake position	Reset front guard
	Blown fuse	Replace fuse
	Tripped RCD	Check RCD
	TMains load not connected	Check mains supply

Problem	Possible cause	Possible solution
Chain does not stop within 2 seconds when the tool is switched off	Chain tension is too slack	Check chain tension
Bar/chain appear hot/smoking	Oil tank empty	Check oil tank level
	Oil hole blocked on chain bar	Clean oil holes (21 - fig. E) and clear the groove around the edge of the chainbar.
	Chain tension is too tight	Check chain tension
	Guide bar sprocket nose needs greasing	Oil the guide bar sprocket nose
Chainsaw does not cut well	Chain on backwards	Check/modify chain direction
		Sharpen
Chainsaw not using oil	Debris in tank	Empty oil from tank and replace
	Oil hole in cap blocked	Remove debris from hole
	Debris in chain bar	Remove debris and clean the chain bar
	Debris in oil outlet	Remove debris

Maintenance

Regular maintenance ensures a long effective life for the tool. We recommend you make the following checks on a regular basis.

Warning! Before performing any maintenance on power tools:

- ◆ Switch off and disconnect the tool from the mains supply.

Oil level

The level in the reservoir should not be allowed to fall below a quarter full.

Saw chain and guide bar (fig. F)

- ◆ After every few hours of use and before storage, remove the guide bar (4) and the saw chain (5) and clean them thoroughly.
- ◆ Make sure that the guard is clean and free from debris.
- ◆ On reassembling, turn the guide bar (4) through 180° , remove the chain tensioning wheel with a screwdriver and re-attach to the opposite side of the guide bar.

Warning! Do not overtighten.

- ◆ Oil sprocket nose via the sprocket lubrication hole (19), this ensure an even distribution of wear around the guide bar rails.

Saw chain sharpening

If you are to get the best possible performance from the tool it is important to keep the teeth of the saw chain sharp.

Guidance for this procedure is found on the sharpener package. For this purpose we recommend the purchase of the BLACK+DECKER saw chain sharpening kit (available from BLACK+DECKER service agents and selected dealers).

Replacing worn out saw chains

Replacement saw chains are available through retailers or BLACK+DECKER service agents. Always use genuine spare parts.

Saw chain sharpness

The saw chain cutters will blunt immediately if they touch the ground or a nail while cutting.

Saw chain tension

Regularly check the saw chain tension.

What to do if your chainsaw needs repair.

Your chainsaw is manufactured in accordance with the relevant safety requirements. Repairs should only be carried out by a qualified person using original spare parts otherwise this may result in considerable danger to the user. We recommend you keep this user manual in a safe place.

Mains plug replacement (U.K. & Ireland only)

If a new mains plug needs to be fitted:

- ◆ Safely dispose of the old plug.
- ◆ Connect the brown lead to the live terminal in the new plug.
- ◆ Connect the blue lead to the neutral terminal.

Warning! No connection is to be made to the earth terminal. Follow the fitting instructions supplied with good quality plugs. Recommended fuse: 13 A.

Protecting the environment



Separate collection. This product must not be disposed of with normal household waste.

Should you find one day that your BLACK+DECKER product needs replacement, or if it is of no further use to you, do not dispose of it with household waste. Make this product available for separate collection.



Separate collection of used products and packaging allows materials to be recycled and used again. Re-use of recycled materials helps prevent environmental pollution and reduces the demand for raw materials.

Local regulations may provide for separate collection of electrical products from the household, at municipal waste sites or by the retailer when you purchase a new product.

BLACK+DECKER provides a facility for the collection and recycling of BLACK+DECKER products once they have reached the end of their working life. To take advantage of this service please return your product to any authorised repair agent who will collect them on our behalf.

You can check the location of your nearest authorised repair agent by contacting your local BLACK+DECKER office at the address indicated in this manual. Alternatively, a list of authorised BLACK+DECKER repair agents and full details of our after-sales service and contacts are available on the Internet at: www.2helpU.com

Technical data

		CS2040 (Type 1)	CS2245 (Type 1)
Voltage	V_{ac}	230V	230V
Power input	W	2000W	2200W
Length	mm	400	450
Chain speed (no load)	m/s	12.5m/s	12.5m/s
Max cutting length	mm	397	436
Oil capacity	ml	200ml	150ml
Weight	kg	5.5	5.66
Safety class		II	II

Level of sound pressure according to EN 60745:

L_{pA} (sound pressure) 85.7/95dB(A), Uncertainty (K) 3/2.5dB(A)

L_{WA} (sound power) 102.1/106 dB(A), Uncertainty (K) 3/2.5dB(A)

Vibration total values (triax vector sum) according to EN 60745:

Vibration emission value (a_h) 4.5/5.5m/s², uncertainty (K) 1.5 m/s²

EC declaration of conformity**MACHINERY DIRECTIVE****OUTDOOR NOISE DIRECTIVE**

CS2040/CS2245

Black & Decker declares that these products described under

"technical data" are in compliance with:

2006/42/EC, EN 60745-1, EN 60745-2-13

2006/42/EC, Chain Saw, Annex IV

TÜV Rheinland LGA Products GmbH;
Tillystraße 2 D - 90431 Nürnberg, Germany;

Notified Body ID No.:0197

Level of acoustic power according to

2000/14/EC (Article 13, Annex III):

L_{WA} (measure sound power) 102.1/106 dB(A)
Uncertainty (K) 3/2.5dB(A)

L_{WA} (guaranteed sound power) 109/110 dB(A)

These products also comply with directive 2014/30/EU & 2011/65/EU. For more information, please contact Black & Decker at the following address or refer to the back of the manual.

The undersigned is responsible for compilation of the technical file and makes this declaration on behalf of Black & Decker.

R. Laverick
Engineering Manager
Black & Decker Europe, 210 Bath Road, Slough,
Berkshire, SL1 3YD
United Kingdom
28/10/2014

Guarantee

Black & Decker is confident of the quality of its products and offers an outstanding guarantee. This guarantee statement is in addition to and in no way prejudices your statutory rights. The guarantee is valid within the territories of the Member States of the European Union and the European Free Trade Area.

If a Black & Decker product becomes defective due to faulty materials, workmanship or lack of conformity, within 24 months from the date of purchase, Black & Decker guarantees to replace defective parts, repair products subjected to fair wear and tear or replace such products to ensure minimum inconvenience to the customer unless:

- ◆ The product has been used for trade, professional or hire purposes;
- ◆ The product has been subjected to misuse or neglect;
- ◆ The product has sustained damage through foreign objects, substances or accidents;
- ◆ Repairs have been attempted by persons other than authorised repair agents or Black & Decker service staff.

To claim on the guarantee, you will need to submit proof of purchase to the seller or an authorised repair agent. You can check the location of your nearest authorised repair agent by contacting your local Black & Decker office at the address indicated in this manual. Alternatively, a list of authorised Black & Decker repair agents and full details of our after-sales service and contacts are available on the Internet at: www.2helpU.com

Please visit our website www.blackanddecker.co.uk to register your new BLACK+DECKER product and to be kept up to date on new products and special offers. Further information on the BLACK+DECKER brand and our range of products is available at www.blackanddecker.co.uk

Bestimmungsgemäße Verwendung

Ihre BLACK+DECKER™ Kettensäge wurde zum Schneiden von Ästen, zum Fällen von Bäumen und zum Sägen von Brennholz konstruiert. Dieses Gerät ist nicht für den gewerblichen Einsatz bestimmt.

Sicherheitshinweise

Allgemeine Sicherheitswarnungen für das Gerät



Achtung! Lesen Sie sämtliche Sicherheitswarnungen und Anweisungen. Die Nichteinhaltung der nachstehend aufgeführten Warnungen und Anweisungen kann einen elektrischen Schlag, Brand und/oder schwere Verletzungen verursachen.

Bewahren Sie alle Sicherheitswarnungen und Anweisungen gut auf. Der nachfolgend verwendete Begriff "Gerät" bezieht sich auf netzbetriebene Geräte (mit Netzkabel) und auf akkubetriebene Geräte (ohne Netzkabel).

1. Sicherheit im Arbeitsbereich

- a: **Sorgen Sie für einen sauberen und gut ausgeleuchteten Arbeitsbereich.** Unordnung oder dunkle Arbeitsbereiche können zu Unfällen führen.
- b: **Verwenden Sie die Geräte nicht in Umgebungen, in denen Explosionsgefahr, z. B. aufgrund von brennbaren Flüssigkeiten, Gasen oder Staub, besteht.** Geräte erzeugen Funken, die den Staub oder die Dämpfe entzünden können.
- c: **Halten Sie Kinder und andere Personen während der Benutzung eines Geräts fern.** Bei Ablenkung können Sie die Kontrolle verlieren.

2. Elektrische Sicherheit

- a: **Der Netzstecker des Geräts muss in die Steckdose passen. Der Stecker darf in keiner Weise verändert werden. Verwenden Sie für schutzgeerdete Geräte keine Adapterstecker.** Unveränderte Stecker und passende Steckdosen verringern das Risiko eines elektrischen Schlags.
- b: **Vermeiden Sie Körperkontakt mit geerdeten Oberflächen von Rohren, Heizungen, Herden und Kühlschränken.** Wenn Ihr Körper geerdet ist, besteht ein erhöhtes Risiko eines elektrischen Schlags.
- c: **Halten Sie Geräte von Regen und Feuchtigkeit fern.** Das Eindringen von Wasser in ein Gerät erhöht das Risiko eines elektrischen Schlags.
- d: **Verwenden Sie das Kabel ordnungsgemäß. Verwenden Sie es niemals zum Tragen. Trennen Sie das Gerät nicht durch Ziehen am Kabel vom Netz.**

Halten Sie das Kabel fern von Hitze, Öl, scharfen Kanten oder sich bewegenden Teilen. Beschädigte oder verwickelte Kabel erhöhen das Risiko eines elektrischen Schlags.

- e: **Verwenden Sie für Arbeiten im Freien nur für den Außenbereich zugelassene Verlängerungskabel.** Die Verwendung eines für den Außenbereich geeigneten Verlängerungskabels verringert das Risiko eines elektrischen Schlags.
- f: **Wenn das Gerät in einer feuchten Umgebung verwendet werden muss, schließen Sie es unbedingt an eine Steckdose mit Fehlerstromschutzschalter (RCD) an.** Die Verwendung eines Fehlerstromschutzschalters verringert das Risiko eines elektrischen Schlags.

3. Persönliche Sicherheit

- a: **Verwenden Sie das Gerät aufmerksam und vernünftig. Benutzen Sie das Gerät nicht, wenn Sie müde sind oder unter dem Einfluss von Drogen, Alkohol oder Medikamenten stehen.** Ein Moment der Unachtsamkeit beim Gebrauch von Geräten kann zu ernsthaften Verletzungen führen.
- b: **Verwenden Sie eine geeignete Schutzausrüstung. Tragen Sie stets einen Augenschutz.** Schutzausrüstung wie Staubmaske, rutschfeste Sicherheitsschuhe, Schutzhelm oder Gehörschutz, je nach Art und Einsatz des Geräts, verringert das Risiko von Verletzungen.
- c: **Vermeiden Sie eine unbeabsichtigte Inbetriebnahme. Vergewissern Sie sich, dass das Gerät ausgeschaltet ist, bevor Sie es an eine Steckdose oder einen Akku anschließen, es hochheben oder tragen.** Durch das Tragen des Geräts mit dem Finger am Schalter oder durch das Anschließen eingeschalteter Geräte werden Unfälle provoziert.
- d: **Entfernen Sie Einstell- oder Schraubenschlüssel, bevor Sie das Gerät einschalten.** Ein Schlüssel, der sich in einem drehenden Teil befindet, kann zu Verletzungen führen.
- e: **Beugen Sie sich nicht zu weit nach vorne über. Achten Sie auf einen sicheren Stand, um in jeder Arbeitsposition das Gleichgewicht zu halten.** Dadurch können Sie das Gerät in unerwarteten Situationen besser unter Kontrolle halten.
- f: **Tragen Sie geeignete Kleidung. Tragen Sie keine weite Kleidung oder Schmuck. Halten Sie Haare, Kleidung und Handschuhe fern von sich bewegenden Teilen.** Weite Kleidung, Schmuck oder lange Haare können von sich bewegenden Teilen erfasst werden.

g: Falls Staubabsaug- und -fangvorrichtungen vorhanden sind, vergewissern Sie sich, dass diese angeschlossen sind und richtig verwendet werden. Das Verwenden einer Staubauffangvorrichtung verringert Gefährdungen durch Staub.

4. Gebrauch und Pflege von Geräten

a: Überlasten Sie das Gerät nicht. Verwenden Sie das für Ihre Arbeit passende Gerät. Durch das Arbeiten in dem für das Gerät angegebenen Leistungsbereich erzielen Sie nicht nur optimale Ergebnisse, Sie erhöhen auch die Sicherheit.

b: Verwenden Sie das Gerät nicht, wenn der Ein-/Ausschalter nicht funktioniert. Ein Gerät, das sich nicht mehr ein- oder ausschalten lässt, ist gefährlich und muss repariert werden.

c: Ziehen Sie den Stecker aus der Steckdose, und/oder trennen Sie das Gerät vom Akku, bevor Sie Einstellungen vornehmen, Zubehörteile wechseln oder das Gerät lagern. Diese Vorsichtsmaßnahme verhindert den unbeabsichtigten Start des Geräts.

d: Bewahren Sie unbenutzte Geräte außerhalb der Reichweite von Kindern auf. Lassen Sie Geräte nicht von Personen benutzen, die damit nicht vertraut sind oder diese Anweisungen nicht gelesen haben. Geräte sind gefährlich, wenn Sie von unerfahrenen Personen benutzt werden.

e: Halten Sie Geräte in einem einwandfreien Zustand. Kontrollieren Sie, ob bewegliche Teile falsch ausgerichtet sind oder klemmen und ob Teile gebrochen oder so beschädigt sind, dass die Funktion des Geräts beeinträchtigt ist. Lassen Sie beschädigte Geräte vor dem Gebrauch reparieren. Viele Unfälle haben ihre Ursache in schlecht gewarteten Geräten.

f: Halten Sie Schneidwerkzeuge scharf und sauber. Sorgfältig gepflegte Schneidwerkzeuge mit scharfen Schneidkanten verklemmen sich seltener und sind leichter zu führen.

g: Verwenden Sie Gerät, Zubehör, Einsätze usw. entsprechend diesen Anweisungen, und berücksichtigen Sie dabei die Arbeitsbedingungen und die auszuführende Arbeit. Der Gebrauch von Geräten für andere als die vorgesehenen Anwendungen kann zu gefährlichen Situationen führen.

5. Service

a: Lassen Sie das Gerät nur von qualifiziertem Fachpersonal und nur mit Originalersatzteilen reparieren. So wird gewährleistet, dass die Sicherheit des Geräts erhalten bleibt.

Zusätzliche Sicherheitswarnungen für das Gerät



Achtung! Zusätzliche Sicherheitswarnungen für Kettensägen.

- ◆ **Halten Sie alle Körperteile von der Kette fern, wenn das Gerät in Betrieb ist. Vergewissern Sie sich vor dem Starten der Kettensäge, dass die Kette keine Gegenstände berührt.** Ein Moment der Unachtsamkeit während des Betriebs kann dazu führen, dass die Kette Körper- oder Kleidungsstücke berührt.
- ◆ **Halten Sie die Kettensäge immer mit der rechten Hand am hinteren und mit der linken Hand am vorderen Griff.** Wenn Sie das Gerät anders halten, besteht erhöhte Verletzungsgefahr.
- ◆ **Halten Sie das Gerät ausschließlich an den isolierten Griffflächen, da die Sägekette mit verdeckten Kabeln oder dem Geräteakabel in Berührung kommen könnte.** Der Kontakt der Sägekette mit stromführenden Leitungen kann auch offenliegende Metallteile am Gerät unter Strom setzen und zu einem Stromschlag führen.
- ◆ **Tragen Sie eine Schutzbrille und einen Gehörschutz. Außerdem empfiehlt sich das Tragen zusätzlicher Schutzausrüstung für Kopf, Hände, Beine und Füße.** Geeignete Schutzausrüstung verringert das Risiko von Verletzungen durch weggeschleuderte Schnittabfälle oder durch unabsichtlichen Kontakt mit der Kette.
- ◆ **Arbeiten Sie mit der Kettensäge nicht auf Bäumen.** Dies kann zu schweren Verletzung führen.
- ◆ **Achten Sie jederzeit auf einen sicheren Stand, und benutzen Sie die Kettensäge nur auf festem, ebenen Boden.** Auf rutschigen und instabilen Oberflächen oder auf Leitern ist kein sicherer Stand gewährleistet. Es besteht die Gefahr, dass Sie das Gleichgewicht und die Kontrolle über die Kettensäge verlieren.
- ◆ **Beim Durchschneiden eines Astes, der unter Spannung steht, kann dieser zurückschnellen.** Wenn die Spannung in den Holzfasern freigesetzt wird, kann der Ast den Bediener treffen und/oder gegen die Kettensäge schlagen und diese außer Kontrolle bringen.
- ◆ **Arbeiten Sie beim Sägen von Büschen und Jungbäumen mit größter Vorsicht.** Es besteht die Gefahr, dass sich das nachgiebige Material in der Kette verfangt, in Ihre Richtung gedrückt wird und Sie aus dem Gleichgewicht bringt.
- ◆ **Tragen Sie die Kettensäge am vorderen Handgriff. Das Gerät muss ausgeschaltet sein und sollte den Körper nicht berühren. Bringen Sie den Kettenschutz an, bevor Sie das Gerät transportieren oder lagern.** Durch einen sachgemäßen Umgang mit der Kettensäge verhindern Sie einen unabsichtlichen Kontakt mit der sich bewegenden Kette.

- ◆ **Befolgen Sie die Anweisungen zum Ölen und Spannen der Kette und zum Wechseln von Zubehörteilen.** Bei einer unzureichend gespannten oder geölte Kette besteht Riss- und erhöhte Rückschlaggefahr.
- ◆ **Halten Sie die Griffe trocken, sauber und öl- und fettfrei.** Schmierige, ölige Griffe sind rutschig. Dadurch ist die Kontrolle über das Gerät nicht mehr gewährleistet.
- ◆ **Schneiden Sie nur in Holz. Verwenden Sie die Kettensäge nicht zweckentfremdet. Schneiden Sie mit dem Gerät beispielsweise keinen Kunststoff, kein Mauerwerk und keine Baumaterialien, die nicht aus Holz sind.** Der Gebrauch der Kettensäge für andere als die vorgesehenen Zwecke kann zu gefährlichen Situationen führen.

Ursachen für Rückschlag und Gegenmaßnahmen seitens des Bedieners

Rückschlag kann auftreten, wenn die Spitze des Führungsschwerts einen Gegenstand berührt, oder wenn Holz einknickt und die Kette im Schneidspalt einklemmt. Kontakt an der Spitze kann in einigen Fällen eine blitzschnelle Rückschlagwirkung erzeugen, die die Führungsschiene nach oben und zurück in Richtung Bediener schnellen lässt. Wenn die Kette an der Oberseite des Führungsschwerts eingeklemmt wird, kann dies das Schwert schnell nach hinten in Richtung Bediener drücken. Diese Reaktionen können zum Verlust der Kontrolle über die Kettensäge und damit zu schweren Verletzungen führen. Verlassen Sie sich nicht nur auf die Sicherheitsvorrichtungen der Kettensäge. Als Bediener einer Kettensäge müssen Sie verschiedene Vorkehrungen treffen, um Sägearbeiten ohne Unfälle und Verletzungen durchführen zu können. Ein Rückschlag ist das Resultat eines Missbrauchs und/oder einer falschen Bedienung der Kettensäge oder falscher Arbeitsbedingungen. Er kann durch die entsprechenden unten angegebenen Vorsichtsmaßnahmen vermieden werden.

- ◆ **Halten Sie die Säge mit den Daumen auf einer Seite und den Fingern auf der anderen Seite an den Griffen fest. Durch einen festen Griff mit beiden Händen, einen ausgestreckten linken Arm und einen stabilen Stand lässt sich das Zurückschlagen vermeiden.** Die Rückschlagkräfte können vom Bediener mittels entsprechender Vorsichtsmaßnahmen unter Kontrolle gehalten werden. Lassen Sie die Kettensäge nicht los.
- ◆ **Strecken Sie sich nicht zu weit nach vorne, und schneiden Sie nicht oberhalb der Schulterhöhe.** Dadurch vermeiden Sie einen versehentlichen Kontakt der Spitze, und die Kettensäge lässt sich in unerwarteten Situationen besser unter Kontrolle halten.

- ◆ **Als Ersatzteile dürfen nur die vom Hersteller bezeichneten Führungsschwert und Ketten verwendet werden.** Bei Verwendung falscher Ersatzteile besteht die Gefahr eines Kettenrisses und/oder erhöhte Rückschlaggefahr.
- ◆ **Das Schärfen der Sägekette und sämtliche Wartungsarbeiten müssen gemäß den Anweisungen des Herstellers erfolgen.** Das Kürzen der Tiefenbegrenzer an der Kette kann zu einer erhöhten Rückschlaggefahr führen.
- ◆ Das Berühren von Metall, Mauerwerk oder anderen harten Gegenständen in der Nähe oder innerhalb des Holzes kann einen Rückschlag verursachen.
- ◆ Stumpfe oder lose Ketten können einen Rückschlag verursachen.
- ◆ Führen Sie die Säge nicht in einen vorhandenen Schneidspalt ein, da hierdurch ein Rückschlag verursacht werden kann. Führen Sie stets einen neuen Schnitt durch.

Empfehlungen für einen sicheren Umgang mit der Kettensäge

- ◆ Anfänger sollten sich unbedingt von einem erfahrenen Benutzer die sachgemäße Verwendung der Kettensäge und der Schutzausrüstung demonstrieren lassen. Es empfiehlt sich, zunächst das Sägen von Stückholz auf einem Sägebock zu üben.
- ◆ Halten Sie die Kettensäge auch bei Nichtgebrauch in einem einwandfreien Betriebszustand. Nehmen Sie vor einer längeren Lagerung der Kettensäge die Kette und das Führungsschwert ab. Diese Teile sollten in Öl getaucht werden. Bewahren Sie sämtliche Teile der Kettensäge an einem trockenen, sicheren Ort außerhalb der Reichweite von Kindern auf.
- ◆ Der Ölbehälter sollte vor einer längeren Lagerung geleert werden.
- ◆ Achten Sie auf einen sicheren Stand, und planen Sie einen sicheren Fluchtweg vor dem fallenden Baum oder vor fallenden Ästen.
- ◆ Verwenden Sie beim Fällen eines Baums Keile, um die Fallrichtung zu beeinflussen und um zu verhindern, dass sich Kette und Führungsschwert im Schneidspalt verklemmen.
- ◆ Pflegen Sie die Sägekette. Halten Sie die Kette scharf und richtig gespannt. Stellen Sie sicher, dass Kette und Führungsschwert sauber und ausreichend geölt sind.
- ◆ Achten Sie darauf, dass die Griffe trocken, sauber sowie frei von Öl und Fett sind.

Folgendes ist zu beachten:

- ◆ Sägen Sie kein vorbehandeltes Holz.
- ◆ Berühren Sie mit laufender Kette nicht den Boden.
- ◆ Schneiden Sie nicht in Drahtzäune, Nägel usw.

Zusätzliche Sicherheitshinweise

- ◆ Stellen Sie sicher, dass sich für den Fall eines Unfalls jemand in der Nähe befindet (jedoch in ausreichendem Sicherheitsabstand).
- ◆ Falls Sie die Kette aus irgendeinem Grund berühren müssen, vergewissern Sie sich, dass die Kettensäge vom Netz getrennt ist.
- ◆ Der Schallpegel dieses Gerätes kann 85 dB(A) überschreiten. Das Tragen eines Gehörschutzes wird daher empfohlen.
- ◆ **Vorsicht: Das Führungsschwert kann sich beim Betrieb erhitzen.**

Sicherheit anderer Personen

- ◆ Dieses Gerät darf nicht von Personen (einschließlich Kindern) mit eingeschränkten körperlichen, sensorischen oder geistigen Fähigkeiten sowie mangelnden Erfahrungen und Kenntnissen bedient werden, es sei denn, sie werden bei der Verwendung des Geräts von einer erfahrenen Person beaufsichtigt oder angeleitet.
- ◆ Kinder müssen beaufsichtigt werden, um sicherzustellen, dass sie nicht mit dem Gerät spielen.

Restrisiken.

Beim Gebrauch dieses Geräts verbleiben zusätzliche Restrisiken, die möglicherweise nicht in den Sicherheitswarnungen genannt werden. Diese Risiken bestehen beispielsweise bei Missbrauch oder längerem Gebrauch. Auch bei der Einhaltung der entsprechenden Sicherheitsvorschriften und der Verwendung aller Sicherheitsgeräte bestehen weiterhin bestimmte Restrisiken. Diese werden im Folgenden aufgeführt:

- ◆ Das Berühren von sich drehenden/bewegenden Teilen kann Verletzungen zur Folge haben.
- ◆ Das Austauschen von Teilen, Messern oder Zubehör kann Verletzungen zur Folge haben.
- ◆ Der längere Gebrauch eines Geräts kann Verletzungen zur Folge haben. Legen Sie bei längerem Gebrauch regelmäßige Pausen ein.
- ◆ Beeinträchtigung des Gehörs.
- ◆ Gesundheitsrisiken durch das Einatmen von Staub beim Gebrauch des Geräts (beispielsweise bei Holzarbeiten, insbesondere Eiche, Buche und Pressspan).

Vibration

Die in den Abschnitten "Technische Daten" und "EG-Konformitätserklärung" angegebenen Werte für die Vibrationsemission wurden mit einer Standard-Prüfmethode nach EN 60745 ermittelt und können zum Vergleich verschiedener Geräte herangezogen werden. Außerdem kann mit Hilfe dieses Werts die Belastung bei Verwendung des Geräts schon im Voraus eingeschätzt werden.

Achtung! Die bei Verwendung des Geräts auftretende Vibrationsemission hängt von der Art des Gerätegebrauchs ab und kann dementsprechend von dem angegebenen Wert abweichen. Gegebenenfalls kann die Vibration über dem angegebenen Wert liegen.

Für die Ermittlung der Vibrationsbelastung müssen die tatsächlichen Einsatzbedingungen und Verwendungen des Geräts während des gesamten Arbeitsgangs berücksichtigt werden, einschließlich der Zeiten, wenn das Gerät nicht verwendet oder im Leerlauf betrieben wird. Diese Werte werden benötigt, um die gemäß 2002/44/EG erforderlichen Sicherheitsmaßnahmen zum Schutz von Personen festlegen zu können.

Warnsymbole am Gerät

Am Gerät sind folgende Warnsymbole angebracht:



Achtung! Lesen Sie vor Gebrauch die Anleitung. Andernfalls besteht Verletzungsgefahr.



Tragen Sie eine Schutzbrille, wenn Sie mit dem Gerät arbeiten.



Tragen Sie einen Gehörschutz, wenn Sie mit dem Gerät arbeiten.



Schützen Sie das Gerät vor Feuchtigkeit und Regen.



Garantierter Schalldruckpegel, gemessen nach Richtlinie 2000/14/EG.



Ziehen Sie den Netzstecker sofort aus der Steckdose, falls das Kabel beschädigt oder durchtrennt wurde.



Achtung: Spannen Sie die Kette nicht zu stark. Spannen Sie sie von Hand. Ziehen Sie sie nur handfest an.

Elektrische Sicherheit



Dieses Gerät ist schutzisoliert, daher ist keine Erdleitung erforderlich. Überprüfen Sie stets, ob die Netzspannung der auf dem Typenschild des Geräts angegebenen Spannung entspricht.

- ◆ Bei einer Beschädigung des Netzkabels muss dieses durch den Hersteller oder eine BLACK+DECKER Vertragswerkstatt ausgetauscht werden, um mögliche Gefahren zu vermeiden.

Verwenden eines Verlängerungskabels

- ◆ Verwenden Sie ausschließlich geprüfte Verlängerungskabel, die für die Leistungsaufnahme dieses Geräts ausgelegt sind (siehe "Technische Daten"). Das Verlängerungskabel muss für die Verwendung im Außenbereich geeignet und entsprechend markiert sein. Es kann ein HO7RN-F 2 X-1.5 mm²-Verlängerungskabel von einer Länge von bis zu 30 m verwendet werden, ohne dass die Leistung des Geräts beeinträchtigt wird. Prüfen Sie vor der Inbetriebnahme das Netzkabel auf Verschleiß und Beschädigungen. Wechseln Sie beschädigte oder fehlerhafte Verlängerungskabel aus. Beim Verwenden einer Kabeltrommel muss das Kabel stets vollständig abgewickelt sein.

Spannungsabfälle

- ◆ Beim Starten dieses Gerätes kann es unter bestimmten Bedingungen der Stromversorgung zu kurzzeitigen Spannungsabfällen kommen.
- ◆ Davon können andere Geräte betroffen sein. Beispielsweise kann sich dies zeitweise auf die Intensität elektrischen Lichts auswirken.
- ◆ Wenden Sie sich falls erforderlich an Ihr Stromversorgungsunternehmen, um festzustellen, ob die Impedanz der Stromversorgung kleiner als 0.172/0.293 Ohm beträgt. Unterhalb dieses Schwellenwerts sind Störungen sehr unwahrscheinlich.

Schutz vor einem Stromschlag

- ◆ Vermeiden Sie eine Berührung des Körpers mit geerdeten Gegenständen (z. B. Metallgeländer, Laternenpfähle usw.). Die elektrische Sicherheit lässt sich durch Verwendung eines Fehlerstromschutzschalters (30 mA/30 ms) erhöhen.

Merkmale

1. Ein-/Ausschalter
2. Einschaltperre
3. Vordere Schutzvorrichtung/Kettenbremse
4. Führungsschwert
5. Kette
6. Kettenabdeckung
7. Verriegelungsknopf für die Kettenjustierung
8. Kettenspannrad
9. Kettenschutz
10. Stromversorgungskabel
11. Halterung für das Stromversorgungskabel
12. Ölbehälterdeckel
13. Ölpegelanzeige

Montage



Achtung! Tragen Sie stets Schutzhandschuhe, wenn Sie an der Kettensäge arbeiten.



Achtung! Schalten Sie Geräte vor Montage- oder Wartungsarbeiten aus, und ziehen Sie den Netzstecker aus der Steckdose.



Achtung! Entfernen Sie vor der Montage den Kabelbinder, mit dem die Kette am Führungsschwert gehalten wird.

Ölen der Kette

Diese Aufgabe ist durchzuführen, wenn eine neue Kette (5) zum ersten Mal verwendet wird. Nehmen Sie die neue Kette (5) aus ihrem Kunststoffbeutel, und legen Sie sie vor der Montage mindestens eine Stunde lang in Kettenöl. Verwenden Sie Kettenöl von BLACK+DECKER. Wir empfehlen, während der gesamten Lebensdauer der Kette ausschließlich Öl von BLACK+DECKER zu verwenden, da das Mischen verschiedener Öle die Ölqualität mindern und so zu einer drastischen Verkürzung der Lebensdauer der Kette sowie weiteren Risiken führen kann. Verwenden Sie niemals gebrauchtes Öl, dickflüssiges Öl oder sehr dünnflüssiges Nähmaschinenöl. Hierdurch kann die Kettensäge beschädigt werden.

Anbringen des Führungsschwerts und der Kette (Abb. A - E)

- ◆ Stellen Sie die Kettensäge auf eine stabile Unterlage.
- ◆ Bewegen Sie die vordere Schutzvorrichtung/Kettenbremse (3) in die vordere Stellung (Abb. A).
- ◆ Drehen Sie den Verriegelungsknopf für die Kettenjustierung (7) gegen den Uhrzeigersinn, um die Kettenabdeckung (6) zu entfernen (Abb. B).

- ◆ Legen Sie die Kette (5) über das Führungsschwert (4). Die Sägezähne oben auf dem Führungsschwert (4) müssen in Kettenaufrichtung zeigen (Abb. C).
- ◆ Führen Sie die Kette (5) so um das Führungsschwert (4), dass sich auf einer Seite am hinteren Ende des Schwerts (4) eine Schlaufe bildet.
- ◆ Legen Sie die Kette (5) um das Kettenrad (14), und richten Sie die Aussparung im Führungsschwert und das Mittelloch des Kettenspannrads (16) am Bolzen (15) aus (Abb. D).

Hinweis: drehen Sie das Kettenspannrad bei Bedarf, um das Mittelloch am Kettenspannbolzen auszurichten (15).

Achtung! Vergewissern Sie sich vor dem Zusammenbau, dass sich die Schutzvorrichtung/Kettenbremse (3) in der vorderen Stellung befindet (Abb. A).

- ◆ Bringen Sie die Kettenabdeckung (6) an der Kettensäge an.
- ◆ Vergewissern Sie sich, dass die Lasche (17) an der Kettenabdeckung ordnungsgemäß auf der Aussparung (18) am Gerät sitzt (Abb. E).
- ◆ Drehen Sie den Verriegelungsknopf für die Kettenjustierung (7) so lange im Uhrzeigersinn, bis er fest sitzt.
- ◆ Prüfen Sie die Kettenspannung - siehe 'Prüfen der Kettenspannung' unten.
- ◆ Wenn die Kette nicht genug gespannt ist - siehe 'Erhöhen der Kettenspannung' unten.

Prüfen der Kettenspannung (Detailbild in Abb. F)

Die Kettenspannung muss vor jeder Verwendung der Kettensäge und nach jeweils 10 Minuten Betrieb geprüft werden.

- ◆ Ziehen Sie den Netzstecker aus der Steckdose.
- ◆ Ziehen Sie wie gezeigt leicht an der Kette (5) (Detailbild in Abb. F). Die Kette (5) ist richtig gespannt, wenn sie sich ca. 3 mm vom Führungsschwert (4) abheben lässt. Die Kette (5) muss ohne durchzuhängen an der Unterseite des Führungsschwerts (4) anliegen (Abb. G).

Erhöhen der Kettenspannung (Abb. B)

- ◆ Lösen Sie den Verriegelungsknopf für die Kettenjustierung (7) um eine halbe Umdrehung gegen den Uhrzeigersinn.
- ◆ Drehen Sie das Kettenspannrad (8) so lange im Uhrzeigersinn, bis Sie einen leichten Widerstand spüren.
- ◆ Prüfen Sie die Kettenspannung - siehe 'Prüfen der Kettenspannung'.
- ◆ Ist die Spannung ausreichend, ziehen Sie den Verriegelungsknopf (7) wieder fest an, oder, falls sie nicht ausreichend ist, drehen Sie das Spannrad (8). Ziehen Sie anschließend den Verriegelungsknopf (7) wieder fest an.

Hinweis: Überspannen Sie die Kette nicht. Dies würde den Verschleiß erhöhen und die Lebensdauer von Führungsschwert und Kette verkürzen.

Hinweis: Ist die Kette neu, überprüfen Sie die Spannung während der ersten 2 Betriebsstunden häufiger (nach dem Trennen vom Netz), da sich eine neue Kette etwas dehnt.

Gebrauch

Achtung! Beschleunigen Sie den Arbeitsvorgang nicht mit Gewalt. Vermeiden Sie eine Überlastung.

Füllen des Ölbehälters (Abb. H)

- ◆ Nehmen Sie den Ölbehälterdeckel (12) ab, und füllen Sie den Behälter mit dem empfohlenen Kettenöl. Der Ölpegel ist in der Ölpegelanzeige (13) zu sehen. Bringen Sie den Ölbehälterdeckel (12) wieder an.
- ◆ Schalten Sie das Gerät regelmäßig aus, und überprüfen Sie den Ölpegel in der Anzeige (13). Sobald der Ölpegel ein Viertel der Füllmenge unterschreitet, trennen Sie die Kettensäge vom Netz, und füllen Sie das richtige Öl nach. Diese Kettensäge ist mit einem automatischen Ölungssystem ausgestattet, das Sägekette und Führungsschwert beständig mit Öl schmiert. Wir empfehlen, während der gesamten Lebensdauer der Kette ausschließlich Öl von BLACK+DECKER zu verwenden, da das Mischen verschiedener Öle die Ölqualität mindern und so zu einer drastischen Verkürzung der Lebensdauer der Kette sowie weiteren Risiken führen kann. Verwenden Sie niemals gebrauchtes Öl, dickflüssiges Öl oder sehr dünnflüssiges Nähmaschinenöl. Diese könnten Ihre Kettensäge beschädigen. Verwenden Sie nur die richtige Ölsorte (Katalognr. A6023-QZ).
- ◆ Während des Betriebs versorgt die Kettensäge die Kette automatisch mit Öl.

Einstellen der Kettenbremse (Abb. A)

- ◆ Vergewissern Sie sich, dass die Kettensäge vom Stromnetz getrennt ist.
- ◆ Ziehen Sie die vordere Schutzvorrichtung/Kettenbremse (3) zurück in die Laufstellung (Abb. A).
- ◆ Das Gerät ist nun betriebsbereit.

Einschalten

Hinweis: Wenn sich die vordere Schutzvorrichtung/Kettenbremse nicht in Laufstellung befindet, kann das Gerät nicht eingeschaltet werden.

- ◆ Halten Sie die Kettensäge mit beiden Händen fest. Drücken Sie die Einschaltsperrle (2), und anschließend den Ein-/Ausschalter (1), um das Gerät einzuschalten.

- ◆ Sobald der Motor startet, nehmen Sie den Daumen von der Einschaltsperrung (2), und halten Sie den Handgriff sicher fest. Überlasten Sie das Gerät nicht. Beschleunigen Sie den Arbeitsvorgang nicht mit Gewalt. Das Gerät funktioniert sicherer und liefert bessere Ergebnisse, wenn Sie es mit seiner konstruktionsbedingten Geschwindigkeit arbeiten lassen. Wenn Sie zuviel Druck ausüben, dehnt sich die Kette (5).

Funktionsweise der Anti-Rückschlag-Kettenbremse

Im Fall eines Rückschlags berührt Ihre linke Hand die vordere Schutzvorrichtung (Handschutz) und schiebt diese nach vorne in Richtung des Werkstücks. Das Gerät wird dann innerhalb von Sekundenbruchteilen angehalten.

Testen der Anti-Rückschlag-Kettenbremse (Abb. A)

- ◆ Vergewissern Sie sich stets vor dem Gebrauch der Kettensäge, dass die Rückschlagbremse ordnungsgemäß funktioniert.
- ◆ Stellen Sie das Gerät auf eine stabile Unterlage, halten Sie es mit beiden Händen fest, stellen Sie sicher, dass die Kette (5) nicht den Boden berührt, und schalten Sie das Gerät ein (siehe "Einschalten der Kettensäge").
- ◆ Drehen Sie die linke Hand nach vorne um den vorderen Handgriff, sodass der Handrücken die vordere Schutzvorrichtung/Kettenbremse (3) berührt und nach vorne in Richtung des Werkstücks schiebt (Abb. A). Die Kette (5) muss nun innerhalb eines Bruchteils einer Sekunde anhalten. Befolgen Sie die Anweisungen unter "Einstellen der Kettenbremse", um die vordere Schutzabdeckung/Kettenbremse (3) nach dem Betrieb zurück in die ursprüngliche Stellung zu bringen.

Hinweis: Vermeiden Sie das erneute Einschalten des Geräts, solange der Motor noch nicht vollkommen zum Stillstand gekommen ist.

Hinweis: Lassen Sie das Produkt in einer BLACK+DECKER Vertragswerkstatt reparieren, wenn die Kettenbremse nicht ordnungsgemäß funktioniert.

Falls die Kette (5) oder das Führungsschwert (4) festklemmt

- ◆ Schalten Sie das Gerät aus.
- ◆ Ziehen Sie den Netzstecker aus der Steckdose.
- ◆ Erweitern Sie den Schneidspalt mit Keilen, um den Druck auf das Führungsschwert (4) zu beseitigen. Versuchen Sie nicht, die Säge freizuhebeln.
- ◆ Beginnen Sie an anderer Stelle einen neuen Schnitt.

Fällen (Abb. I - K)

Fällarbeiten sollten nur von erfahrenen Benutzern durchgeführt werden. Wenn der Baum in die falsche Richtung fällt oder splittet, oder wenn beschädigte/abgestorbene Äste herabfallen, kann dies Sach- und Personenschäden zur Folge haben. Der Sicherheitsabstand zwischen dem zu fallenden Baum und Personen, Gebäuden oder anderen Gegenständen muss mindestens das 2 1/2-fache der Baumhöhe betragen. Personen, Gebäude oder Gegenstände innerhalb dieser Entfernung laufen Gefahr, vom gefällten Baum getroffen zu werden.

Vor dem Fällen eines Baums ist Folgendes zu beachten:

- ◆ Vergewissern Sie sich, dass das Fällen des Baums nicht durch lokale Verordnungen oder Gesetze eingeschränkt oder untersagt wird.
- ◆ Berücksichtigen Sie dabei alle Faktoren, die die Fallrichtung beeinflussen können:
 - ◆ gewünschte Fallrichtung
 - ◆ wuchsbedingte Neigung des Baums
 - ◆ Morschheit oder außergewöhnlich schwere Holzstruktur.
 - ◆ Bäume und Hindernisse in der Umgebung (Stromleitungen, unterirdisch verlegte Leitungen usw.)
 - ◆ Windgeschwindigkeit und Windrichtung

Planen Sie einen sicheren Fluchtweg vor fallenden Bäumen oder Ästen. Vergewissern Sie sich, dass der Fluchtweg frei von Hindernissen ist, die die Flucht behindern könnten. Berücksichtigen Sie, dass feuchtes Gras und frisch geschnittene Baumrinde rutschig sind.

- ◆ Versuchen Sie nicht, einen Baum zu fällen, dessen Durchmesser die Schnittlänge der Kettensäge überschreitet.
- ◆ Sägen Sie auf der Seite der Fallrichtung eine Kerbe in den Stamm.
- ◆ Sägen Sie hierfür zunächst am Fuß des Stamms einen horizontalen Schnitt, der 1/5 bis 1/3 des Stammdurchmessers beträgt (Abb. I).
- ◆ Sägen Sie darüber in einem Winkel von etwa 45° den zweiten Schnitt bis zur horizontalen Kerblinie.
- ◆ Sägen Sie auf der anderen Seite des Baums etwa 25 bis 50 mm über der horizontalen Kerblinie den horizontalen Fällschnitt (Abb. J). Schneiden Sie nicht bis zur Kerbe durch. Andernfalls besteht die Gefahr, dass der Baum nicht in die gewünschte Richtung fällt.
- ◆ Treiben Sie einen oder mehrere Keile in den Fällschnitt, um den gerichteten Fall des Baums zu unterstützen (Abb. K).

Schneiden von Ästen

Vergewissern Sie sich, dass das Beschneiden von Ästen nicht durch lokale Verordnungen oder Gesetze eingeschränkt oder untersagt wird. Das Schneiden von Ästen sollte nur von erfahrenen Personen durchgeführt werden, da das Risiko eines Rückschlags oder des Einklemmens relativ hoch ist.

Berücksichtigen Sie vor Beginn der Arbeit alle Faktoren, die die Fallrichtung beeinflussen könnten. Hierzu gehören:

- ◆ die Länge und das Gewicht des zu schneidenden Asts
- ◆ Morschheit oder außergewöhnlich schwere Holzstruktur
- ◆ Bäume und Hindernisse in der Umgebung (z. B. Stromleitungen)
- ◆ Windgeschwindigkeit und Windrichtung
- ◆ die Verflechtung mit anderen Ästen Achten Sie auf einen guten Zugang zum Ast, und berücksichtigen Sie die Fallrichtung.

Äste haben die Tendenz, zum Baumstamm zu schwingen. Gefährdet sind neben dem Bediener der Kettensäge alle Personen und Gegenstände unterhalb des Astes.

- ◆ Um ein Splintern zu verhindern, wird der Ast zunächst bis zu einem Drittel seines Durchmessers von unten eingesägt.
- ◆ Danach erfolgt ein Schnitt von oben, bis der Ast durchtrennt ist.

Sägen von Brennholz (Abb. L - O)

Wie der Schnitt ausgeführt werden sollte, hängt davon ab, wie das Holzstück gestützt wird. Verwenden Sie nach Möglichkeit einen Sägebock. Beginnen Sie einen Schnitt immer mit laufender Kette und den Anschlagkrallen (20) am Holz (Abb. L). Führen Sie den Schnitt dann in einer Kippbewegung nach unten durch das Holzstück.

Holz ist entlang der gesamten Länge abgestützt:

- ◆ Führen Sie einen Abwärtsschnitt durch. Achten Sie darauf, dass die Kette nicht mit dem Boden in Berührung kommt, da sie hierdurch schnell stumpf wird.

Holz ist an beiden Enden abgestützt:

- ◆ Schneiden Sie zunächst ein Drittel nach unten, um ein Splintern zu verhindern. Schneiden Sie dann von unten nach oben in Richtung des ersten Schneidspalts.

Holz ist an einem Ende abgestützt:

- ◆ Schneiden Sie zunächst ein Drittel nach oben, und anschließend nach unten, um ein Splintern zu verhindern.

Bei Sägearbeiten an einem Hang:

- ◆ Stehen Sie immer auf der Bergseite.

Beim Sägen eines auf dem Boden liegenden Holzstücks

(Abb. M):

- ◆ Sichern Sie das Holzstück mit Hilfe von Klötzen oder Keilen. Weder der Bediener noch eine andere Person dürfen das zu schneidende Holzstück fixieren, indem sie sich darauf setzen oder stellen. Achten Sie darauf, dass die Kette nicht den Boden berührt.

Bei Verwendung eines Sägebocks (Abb. N):

Die Verwendung eines Sägebocks wird dringend empfohlen.

- ◆ Bringen Sie das zu schneidende Holzstück in eine stabile Position. Schneiden Sie immer außerhalb der Sägebockenden. Benutzen Sie gegebenenfalls eine Spannvorrichtung, um das Holzstück zu fixieren.

Entasten (Abb. O)

Entfernen der Äste eines umgestürzten Baums. Lassen Sie beim Entasten dickere untere Äste stehen, um den Stamm vom Boden abzuhalten. Entfernen Sie kleine Äste mit einem Schnitt. Unter Spannung stehende Äste sollten von der Unterseite des Astes nach oben geschnitten werden, um ein Einklemmen der Kettensäge zu vermeiden. Sägen Sie Äste von der gegenüberliegenden Seite aus ab. Der Baumstamm befindet sich dabei zwischen Ihnen und der Säge. Sägen Sie niemals mit der Säge zwischen Ihren Beinen, und stehen Sie niemals mit gespreizten Beinen über dem zu sägenden Ast.

Problemebehebung

Problem	Mögliche Ursache	Mögliche Lösungsschritte
Das Gerät startet nicht.	Die Verriegelung ist nicht gedrückt.	Drücken Sie die Verriegelung.
	Die vordere Schutzvorrichtung befindet sich in der Bremsstellung.	Stellen Sie die vordere Schutzvorrichtung ein.
	Defekte Sicherung	Ersetzen Sie die Sicherung.
	ausgelöst RCD	überprüfen RCD
	Kein Strom	Überprüfen Sie die den Netzanschluss.
Die Kette kommt beim Ausschalten des Geräts nicht innerhalb von 2 Sekunden zum Stillstand	Die Kettenspannung ist zu niedrig.	Prüfen Sie die Kettenspannung.

Problem	Mögliche Ursache	Mögliche Lösungsschritte
Führung/Kette heiß/ rauchen	Öltank leer	Überprüfen Sie den Füllstand des Tanks.
	Die Öloffnung am Führungsschwert ist verstopft.	Reinigen Sie die Öloffnungen (21 - Abb. E) und die Nut um die Kante des Führungsschwerts.
	Die Kettenspannung ist zu hoch	Prüfen Sie die Kettenspannung.
	Die Kettenradnase am Führungsschwert muss geschmiert werden	Ölen Sie die Kettenradnase.
Schnittleistung der Kettensäge niedrig	Kette läuft rückwärts	Prüfen/ändern Sie die Laufrichtung der Kette.
		Schärfen
Kettensäge verbraucht kein Öl	Tank verschmutzt	Ersetzen Sie das Öl im Tank.
	Öloffnung im Deckel verstopft	Reinigen Sie die Öffnung.
	Das Führungsschwert ist verschmutzt	Entfernen Sie Verschmutzungen vom Führungsschwert, und reinigen Sie dieses.
	Der Ölauslass ist verschmutzt	Entfernen Sie die Verschmutzung.

- ◆ Drehen Sie beim Wiederzusammenbau das Führungsschwert (4) um 180°, entfernen Sie das Kettenspannrad mit einem Schraubendreher, und bringen Sie es auf der gegenüberliegenden Seite des Führungsschwerts wieder an.

Achtung! Spannen Sie die Kette nicht zu stark.

- ◆ Ölen Sie die Kettenradnase durch die Kettenrad-Schmieröffnung (19). Dadurch ist eine gleichmäßige Abnutzung entlang der Führungsschwertschienen gewährleistet.

Schärfen der Sägekette

Um eine optimale Schneidleistung zu erhalten, muss die Sägekette regelmäßig geschärft werden. Anleitungen hierzu finden Sie auf der Verpackung des Schärfers. Wir empfehlen den Kauf des Kettenschärfersatzes von BLACK+DECKER (erhältlich bei Ihrer BLACK+DECKER Vertretung und im Fachhandel).

Erneuern einer verschlissenen Kette

Austauschketten sind über den Fachhandel oder bei einer BLACK+DECKER Vertretung erhältlich. Verwenden Sie ausschließlich Originalersatzteile.

Schärfe der Sägekette

Die Zähne der Kette werden sofort stumpf, wenn sie beim Sägen den Boden oder einen Nagel berühren.

Kettenspannung

Überprüfen Sie regelmäßig die Spannung der Kette.

Was ist zu tun, wenn die Kettensäge repariert werden muss?

Ihre Kettensäge erfüllt alle einschlägigen Sicherheitsbestimmungen. Reparaturen sind nur von autorisierten Fachkräften und mit Originalersatzteilen vorzunehmen. Andernfalls besteht Unfall- und Verletzungsgefahr. Bewahren Sie diese Anleitung an einem sicheren Ort auf.

Austauschen des Netzsteckers (nur Großbritannien und Irland)

Gehen Sie folgendermaßen vor, wenn ein neuer Netzstecker angebracht werden muss:

- ◆ Entsorgen Sie den alten Stecker auf sachgerechte Weise.
- ◆ Verbinden Sie die braune Leitung mit dem spannungsführenden Anschluss des Steckers.
- ◆ Verbinden Sie die blaue Leitung mit dem neutralen Anschluss.

Achtung! Der Erdleiter wird nicht angeschlossen. Befolgen Sie die Anleitungen, die dem Stecker beiliegen. Empfohlene Sicherung: 13 A.

Wartung

Eine regelmäßige Wartung stellt eine lange Lebensdauer des Gerätes sicher. Wir empfehlen, folgende Kontrollen regelmäßig durchzuführen.

Achtung! Vor Wartungs- oder Reinigungsarbeiten am Gerät:

- ◆ Schalten Sie das Gerät aus, und ziehen Sie den Netzstecker aus der Steckdose.

Ölpegel

Der Pegel im Behälter darf eine Viertelfüllung nicht unterschreiten.

Sägekette und Führungsschwert (Abb. F)

- ◆ Nehmen Sie nach einigen Stunden Gebrauch und vor dem Lagern das Führungsschwert (4) und die Kette (5) ab, und reinigen Sie die Teile gründlich.
- ◆ Stellen Sie sicher, dass der Kettenschutz sauber und frei von Ablagerungen ist.

Umweltschutz

Getrennte Entsorgung. Dieses Produkt darf keinesfalls mit dem Hausmüll entsorgt werden.



Sollten Sie Ihr BLACK+DECKER Produkt eines Tages ersetzen oder nicht mehr benötigen, entsorgen Sie es nicht mit dem Hausmüll. Führen Sie das Produkt einer getrennten Sammlung zu.



Durch die getrennte Sammlung von ausgedienten Produkten und Verpackungsmaterialien können Rohstoffe recycelt und wiederverwendet werden. Die Wiederverwendung aufbereiteter Materialien trägt zur Vermeidung von Umweltverschmutzung bei und senkt den Rohstoffbedarf.

Die Verordnung zur Abfallentsorgung Ihrer Gemeinde sieht möglicherweise vor, dass Elektrogeräte getrennt vom Hausmüll gesammelt, an der örtlichen Abfallentsorgungseinrichtung abgegeben oder beim Kauf eines neuen Produkts vom Fachhandel zur Entsorgung angenommen werden müssen.

BLACK+DECKER nimmt Ihre ausgedienten BLACK+DECKER Geräte gern zurück und sorgt für eine umweltfreundliche Entsorgung bzw. Wiederverwertung. Um diese Dienstleistung in Anspruch zu nehmen, geben Sie das Gerät bitte bei einer autorisierten Reparaturwerkstatt ab, die für uns die Einsammlung übernimmt.

Die Adresse der zuständigen Niederlassung von BLACK+DECKER steht in dieser Anleitung. Dort teilt man Ihnen gerne die nächstgelegene Vertragswerkstatt mit. Eine Liste der Vertragswerkstätten und aller Kundendienststellen von BLACK+DECKER sowie der zuständigen Ansprechpartner finden Sie auch im Internet unter: www.2helpU.com

Technische Daten

		CS2040 (Type 1)	CS2245 (Type 1)
Spannung	V _{ac}	230V	230V
Stromeingang	W	2000W	2200W
Kettengeschwindigkeit (ohne Last)	m/s	12.5m/s	12.5m/s
Max Schnittlänge	mm	397	436
Ölkapazität	ml	200ml	150ml
Gewicht	kg	5.5	5.66
Schutzklasse		II	II

Schalldruckpegel gemäß EN 60745:
L_{PA} (Schalldruck) 85.7/95 dB(A), Unsicherheitsfaktor (K) 3/2.5 dB(A)
L_{WA} (Schalleistung) 102.1/106dB(A), Unsicherheitsfaktor (K) 3/2.5 dB(A)

Gesamtvibration (Triax-Vektorsumme) gemäß EN 60745:
Vibrationsemissionswert (a _v) 4.5/5.5m/s ² , Unsicherheitsfaktor (K) 1.5 m/s ²

EG-Konformitätserklärung**MASCHINENRICHTLINIE****AUSSENLAUTSTÄRKERICHTLINIE**

CS2040/CS2245

Black & Decker erklärt, dass diese unter "Technische Daten" beschriebenen Geräte übereinstimmen mit:

2006/42/EG, EN 60745-1, EN 60745-2-13

2006/42/EG, Kettensäge, Anhang IV

TÜV Rheinland LGA Products GmbH;
Tillystraße 2 D - 90431 Nürnberg, Germany;

Gemeldet unter ID Nr.: 0197

Schalleistungspegel gemäß 2000/14/EG (Artikel 13, Anhang III):

 L_{WA} (gemessene Schalleistung) 102.1/106 dB(A)

Unsicherheitsfaktor (K) = 3/2.5 dB(A)

 L_{WA} (garantierte Schalleistung) 109/110 dB(A)

Diese Produkte entsprechen außerdem den Richtlinien 2014/30/EU und 2011/65/EU. Weitere Informationen erhalten Sie von Black & Decker unter der folgenden Adresse.

Diese befindet sich auch auf der Rückseite dieser Anleitung.

Der Unterzeichnete ist verantwortlich für die Zusammenstellung der technischen Daten und gibt diese Erklärung im Namen von Black & Decker ab.

R. Laverick
Engineering Manager
Black & Decker Europe, 210 Bath Road, Slough,
Berkshire, SL1 3YD
Großbritannien
10/09/2014

Garantie

Black & Decker vertraut auf die Qualität der eigenen Geräte und bietet dem Käufer eine außergewöhnliche Garantie. Diese Garantiezusage versteht sich unbeschadet der gesetzlichen Gewährleistungsansprüche und schränkt diese keinesfalls ein. Sie gilt in sämtlichen Mitgliedstaaten der Europäischen Union und der Europäischen Freihandelszone EFTA.

Tritt innerhalb von 24 Monaten ab Kaufdatum an einem Gerät von Black & Decker ein auf Material- oder Verarbeitungsfehler zurückzuführender Mangel auf, garantiert Black & Decker den Austausch defekter Teile, die Reparatur von Geräten mit üblichem Verschleiß bzw. den Austausch eines mangelhaften Gerätes, ohne den Kunden dabei mehr als unbedingt nötig in Anspruch zu nehmen, allerdings vorbehaltlich folgender Ausnahmen:

- ◆ wenn das Gerät gewerblich, beruflich oder im Verleihgeschäft benutzt wurde;
- ◆ wenn das Gerät missbräuchlich verwendet oder mit mangelnder Sorgfalt behandelt wurde;
- ◆ wenn das Gerät durch irgendwelche Fremdeinwirkung beschädigt wurde;
- ◆ wenn ein unbefugter Reparaturversuch durch anderes Personal als das einer Vertragswerkstatt oder des Black & Decker Kundendienstes unternommen wurde.

Zur Inanspruchnahme dieser Garantie ist dem Verkäufer bzw. der Vertragswerkstatt ein Kaufnachweis vorzulegen. Die Adresse der zuständigen Niederlassung von Black & Decker steht in dieser Anleitung. Dort teilt man Ihnen gerne die nächstgelegene Vertragswerkstatt mit. Eine Liste der Vertragswerkstätten und aller Kundendienststellen von Black & Decker sowie der zuständigen Ansprechpartner finden Sie auch im Internet unter: www.2helpU.com

Bitte besuchen Sie unsere Webseite www.blackand-decker.de, um Ihr neues BLACK+DECKER Produkt zu registrieren und über neue Produkte und Sonderangebote informiert zu werden. Weitere Informationen über die Marke BLACK+DECKER und unsere Produkte finden Sie unter www.blackanddecker.de.

Usage prévu

Votre tronçonneuse BLACK+DECKER™ est conçue pour l'élagage et l'abattage des arbres, ainsi que pour la coupe de bûches. Cet outil est destiné à une utilisation exclusivement domestique.

Consignes de sécurité

Consignes de sécurité concernant les outils électroportatifs



Attention ! Lisez avec attention tous les avertissements et toutes les instructions. Le non-respect de cette consigne peut entraîner une électrocution, un incendie et/ou de graves blessures.

Conservez tous les avertissements et instructions pour référence ultérieure. La notion d'outil électroportatif mentionnée par la suite se rapporte à des outils électriques raccordés au secteur (avec câble de raccordement) ou fonctionnant avec piles (sans fil).

1. Sécurité de la zone de travail

- a. **Maintenez la zone de travail propre et bien éclairée.**
Un lieu de travail en désordre ou mal éclairé augmente le risque d'accidents.
- b. **N'utilisez pas les outils électroportatifs dans un environnement présentant des risques d'explosion ni en présence de liquides, gaz ou poussières inflammables.** Les outils électroportatifs génèrent des étincelles risquant d'enflammer les poussières ou les vapeurs.
- c. **Tenez les enfants et autres personnes éloignés durant l'utilisation de l'outil électroportatif.** En cas d'inattention, vous risquez de perdre le contrôle.

2. Sécurité électrique

- a. **La prise de l'outil électroportatif doit être compatible avec la prise d'alimentation. Ne modifiez en aucun cas la prise. N'utilisez pas de prises d'adaptateur avec des appareils ayant une prise de terre.** Le respect de ces consignes réduit le risque de choc électrique.
- b. **Évitez le contact physique avec des surfaces mises à la terre telles que tuyaux, radiateurs, fours et réfrigérateurs.** Il y a un risque élevé de choc électrique si votre corps est relié à la terre.
- c. **N'exposez pas l'outil électroportatif à la pluie ou à l'humidité.** La pénétration d'eau dans un outil électroportatif augmente le risque de choc électrique.

- d. **Préservez le câble d'alimentation. N'utilisez pas le câble pour porter l'outil. Ne le tirez pas pour le débrancher. Maintenez le câble éloigné des sources de chaleurs, des parties huilées, des bords tranchants ou des parties de l'appareil en rotation.** Le risque de choc électrique augmente si les câbles sont endommagés ou emmêlés.
- e. **Si vous utilisez l'outil électroportatif à l'extérieur, utilisez une rallonge homologuée pour une utilisation à l'extérieur.** L'utilisation d'une rallonge électrique homologuée pour les travaux à l'extérieur réduit le risque de choc électrique.
- f. **Si l'outil doit être utilisé dans un endroit humide, prenez les précautions nécessaires en utilisant un dispositif à courant résiduel (RCD).** L'utilisation d'un tel dispositif réduit les risques d'électrocution.

3. Sécurité personnelle

- a. **Restez vigilant, surveillez ce que vous faites. Faites preuve de bon sens quand vous utilisez un outil électroportatif. N'utilisez pas l'outil lorsque vous êtes fatigué ou après avoir consommé de l'alcool ainsi que des médicaments.** Un moment d'inattention lors de l'utilisation de l'outil peut entraîner de graves blessures.
- b. **Portez un équipement de protection. Portez toujours des lunettes de protection.** Selon le travail à effectuer, le port d'équipement de protection tels que masque anti-poussières, chaussures de sécurité antidérapantes, casque ou protection auditive, réduit le risque de blessures.
- c. **Évitez un démarrage imprévu. L'outil doit être en position OFF (arrêt) avant d'effectuer le branchement à l'alimentation et/ou au bloc-batterie, de le ramasser ou de le porter.** Ne laissez pas votre doigt sur le bouton de commande en le transportant. N'alimentez pas l'outil si le bouton est activé. Ceci pourrait être à l'origine d'accident.
- d. **Enlevez tout outil ou clé de réglage avant de mettre l'appareil en marche.** Une clé ou un outil se trouvant sur une pièce en rotation peut causer des blessures.
- e. **Adoptez une position confortable. Adoptez une position stable et gardez votre équilibre en permanence.** Vous contrôlerez mieux l'outil dans des situations inattendues.
- f. **Portez des vêtements appropriés. Ne portez pas de vêtements amples ou de bijoux. N'approchez pas les cheveux, vêtements ou gants des parties des pièces mobiles.** Les vêtements amples, les bijoux ou les cheveux longs peuvent s'accrocher dans les pièces en mouvement.

- g. En cas d'utilisation d'appareils servant à aspirer ou à recueillir les poussières, assurez-vous qu'ils sont correctement raccordés et utilisés. L'utilisation de tels dispositifs réduit les dangers dus aux poussières.
4. Utilisation des outils électroportatifs et précautions
- a. Respectez la capacité de l'outil. Utilisez l'outil électroportatif correspondant au travail à effectuer. Avec un outil approprié, vous travaillerez mieux et en toute sécurité.
- b. N'utilisez pas un outil électroportatif dont l'interrupteur est défectueux. Un outil électroportatif qui ne peut plus être mis en marche/arrêt présente un danger et doit être réparé.
- c. Retirez la prise de courant et/ou débranchez le bloc-batterie avant d'effectuer des réglages, de changer les accessoires ou de ranger l'outil. Cette mesure de précaution empêche de mettre l'outil en marche accidentellement.
- d. Rangez les outils électroportatifs hors de portée des enfants. Les personnes ne connaissant pas l'outil ou n'ayant pas lu ces instructions ne doivent en aucun cas l'utiliser. Les outils électroportatifs sont dangereux lorsqu'ils sont utilisés par des personnes non initiées.
- e. Entretenez les outils électroportatifs. Vérifiez que les parties mobiles fonctionnent correctement et qu'elles ne sont pas coincées. Vérifiez qu'il n'y a pas de pièces cassées ou endommagées susceptibles de nuire au bon fonctionnement de l'outil. S'il est endommagé, faites réparer l'outil avant de l'utiliser. De nombreux accidents sont dus à des outils électroportatifs mal entretenus.
- f. Maintenez les outils de coupe aiguisés et propres. Des outils soigneusement entretenus avec des bords tranchants bien aiguisés se coincent moins souvent et peuvent être guidés plus facilement.
- g. Utilisez les outils électroportatifs, les accessoires, etc., en suivant ces instructions et en tenant compte des conditions de travail, ainsi que du travail à effectuer. L'utilisation des outils électroportatifs à d'autres fins que celles prévues peut vous mettre en situation dangereuse.
5. Réparations
- a. Faites réparer votre outil électroportatif uniquement par du personnel qualifié et seulement avec des pièces de rechange appropriées. Cela garantira le maintien de la sécurité de l'outil électrique.

Consignes de sécurité supplémentaires concernant les outils électroportatifs



Attention ! Consignes de sécurité supplémentaires pour tronçonneuses.

- ◆ **Gardez l'ensemble du corps éloigné de la chaîne pendant le fonctionnement de la tronçonneuse. Avant de démarrer la tronçonneuse, assurez-vous que rien n'est en contact avec la chaîne.** Tout moment d'inattention pendant le fonctionnement de la tronçonneuse peut être propice à un enchevêtrement de vos vêtements ou d'une partie de votre corps dans l'outil.
- ◆ **Maintenez toujours la tronçonneuse avec la main droite sur la poignée arrière et la main gauche sur la poignée avant.** N'inversez jamais les mains pour tenir la tronçonneuse, car cela augmente les risques de blessure corporelle.
- ◆ **Tenez l'outil au niveau des surfaces de prise isolées uniquement pour éviter tout contact de la chaîne avec des câbles cachés ou son propre câble.** Tout contact de la chaîne avec un fil sous tension pourrait transférer une charge électrique aux parties métalliques exposées de l'outil électrique et exposer l'opérateur à un choc électrique.
- ◆ **Portez des lunettes de sécurité et une protection auditive. Un équipement de protection de la tête, des mains, des jambes et des pieds est aussi recommandé.** Des vêtements de protection appropriés permettront de réduire les blessures éventuelles dues à des projections ou à un contact accidentel avec la chaîne.
- ◆ **N'utilisez pas la tronçonneuse dans un arbre.** Le non respect de cette consigne est susceptible de provoquer des blessures.
- ◆ **Adoptez toujours une position stable et ne faites fonctionner la tronçonneuse que si vous vous trouvez sur une surface fiable, ferme et de niveau.** Les surfaces glissantes ou non stables, telles que les échelles, peuvent provoquer une perte d'équilibre ou de contrôle de la tronçonneuse.
- ◆ **Lorsque vous coupez une branche maîtresse cintrée, prenez garde au redressement.** Lorsque le bois se décintre, la branche peut frapper l'opérateur et/ou lui faire perdre le contrôle de la tronçonneuse.
- ◆ **Soyez extrêmement prudent pour la coupe de jeunes arbres et de bosquets.** Les tiges pourraient s'accrocher dans la chaîne et être éjectées vers vous ou vous faire perdre l'équilibre.

- ◆ **Portez la tronçonneuse par la poignée avant en la maintenant hors tension et à l'écart du corps. Pendant le transport ou le rangement de la tronçonneuse, installez toujours le cache du guide-chaîne.** Une manipulation appropriée de la tronçonneuse réduira les risques de contact accidentel avec la chaîne en mouvement.
- ◆ **Suivez les instructions pour le graissage, la tension de la chaîne et le changement des accessoires.** Une chaîne mal tendue ou mal graissée peut se briser ou accroître les risques d'effet de retour
- ◆ **Veillez à ce que les poignées soient sèches et propres, sans trace d'huile ou de graisse.** Les poignées grasses peuvent provoquer une perte de contrôle.
- ◆ **Ne coupez que du bois. N'utilisez la tronçonneuse que pour les travaux auxquels elle est destinée. Par exemple : n'utilisez pas la tronçonneuse pour couper le plastique, la pierre ou des matériaux de construction différents du bois.** L'utilisation de la tronçonneuse à d'autres fins que celles prévues peut entraîner des situations dangereuses.

Causes et prévention de l'effet de retour

Un effet de retour peut se produire quand l'extrémité du guide-chaîne touche un objet ou quand du bois se coince et bloque la chaîne dans l'entaille. Le contact de l'extrémité de la chaîne peut dans certains cas provoquer une brusque réaction inverse, en soulevant le guide-chaîne et en le retournant vers l'utilisateur. Si la chaîne est coincée en haut du guide-chaîne, celui-ci peut se retourner rapidement vers l'utilisateur. Ce genre de réactions peut entraîner une perte de contrôle de la tronçonneuse et provoquer de graves blessures corporelles. Ne vous fiez pas uniquement aux dispositifs de sécurité intégrés à votre tronçonneuse. En tant qu'utilisateur, vous devez prendre certaines mesures pour éviter les accidents ou les blessures pendant les travaux de coupe. L'effet de retour est le résultat d'une utilisation inappropriée de l'outil et/ou de procédures ou de conditions d'utilisation incorrectes. Il peut être évité en appliquant les précautions adéquates, décrites ci-dessous.

- ◆ **Maintenez fermement la tronçonneuse en serrant les poignées avec vos mains. Avec les deux mains sur la tronçonneuse, placez votre corps et votre bras de manière à pouvoir résister à la puissance d'un retour de chaîne.** La puissance de l'effet de retour peut être contrôlée par l'utilisateur, à condition de prendre les précautions nécessaires. Ne relâchez pas la tronçonneuse.
- ◆ **Adoptez une position confortable et ne coupez pas au-dessus de la hauteur de votre épaule.** Ceci permet d'éviter un contact accidentel du bout de la chaîne et d'obtenir un meilleur contrôle de la tronçonneuse dans des situations inattendues.

- ◆ **N'utilisez que les guides et les chaînes de remplacement prescrites par le fabricant.** La chaîne risque de se casser ou un retour de chaîne peut se produire si cette consigne n'est pas respectée.
- ◆ **Suivez les consignes d'entretien et d'affûtage données par le fabricant de la chaîne.** Si vous abaissez la hauteur de l'indicateur de profondeur, les risques de retour de chaîne sont augmentés.
- ◆ Un retour de chaîne peut se produire si vous heurtez du métal, du ciment ou tout autre matériau dur placé à côté du bois, ou à l'intérieur du bois.
- ◆ Une chaîne émoussée ou détendue peut aussi causer un retour de chaîne.
- ◆ Vous essayez d'insérer la scie dans une entaille préexistante. Ceci peut provoquer un retour de chaîne. Faites toujours une nouvelle entaille.

Recommandations de sécurité applicables aux tronçonneuses

- ◆ Si vous utilisez cet outil pour la première fois, nous vous conseillons vivement d'obtenir, auprès d'un utilisateur expérimenté, des conseils pratiques concernant l'utilisation de la tronçonneuse et l'équipement de protection. Pour terminer l'apprentissage, il est conseillé de s'entraîner en sciant des bûches sur un chevalet de sciage ou sur un berceau.
- ◆ Entretenez votre tronçonneuse lorsque vous ne l'utilisez pas. Si vous souhaitez ranger votre tronçonneuse, enlevez toujours la chaîne et le guide-chaîne et maintenez-les immergés dans un bain d'huile. Rangez toutes les pièces de votre tronçonneuse dans un endroit sec et sûr hors de portée des enfants.
- ◆ Nous vous recommandons de vidanger le réservoir d'huile avant de ranger la tronçonneuse.
- ◆ Tenez-vous dans un endroit sûr et prévoyez une issue fiable en cas de chute de branches ou d'arbre.
- ◆ Utilisez des coins pour contrôler l'abattage et éviter de plier le guide-chaîne et la chaîne dans l'entaille.
- ◆ Entretien de la chaîne . Assurez-vous que la chaîne est fermement enroulée sur le guide de chaîne. Vérifiez que la chaîne et le guide sont bien propres et bien huilés. Veillez à ce que les poignées soient sèches et propres, sans trace d'huile ou de graisse.

Évitez de scier

- ◆ Du bois préparé.
- ◆ Dans le sol.
- ◆ Des haies à grillage, du bois cloué, etc.

Consignes de sécurité supplémentaires

- ◆ Confirmez la présence d'une autre personne à proximité (mais à une certaine distance de sécurité) au cas où un accident se produirait.
- ◆ Si vous devez toucher la chaîne pour quelque raison que ce soit, assurez-vous que la tronçonneuse est bien débranchée.
- ◆ Le bruit émis par la tronçonneuse peut dépasser les 85 dB(A). Nous vous recommandons donc vivement de prendre les mesures appropriées pour vous protéger contre le bruit.
- ◆ **Pendant l'utilisation de l'outil, le guide-chaîne peut devenir très chaud et doit donc être manipulé avec précaution. Sécurité des personnes**
- ◆ Cet appareil n'est pas conçu pour être utilisé par des personnes (y compris les enfants) ayant des déficiences physiques, mentales ou sensorielles ou qui manquent d'expérience et de connaissance, sans avoir reçu les instructions appropriées à l'utilisation de l'appareil ou être encadrées par une personne responsable de leur sécurité.
- ◆ Ne laissez jamais les enfants sans surveillance pour éviter qu'ils ne jouent avec cet outil.

Risques résiduels.

L'utilisation d'un outil non mentionné dans les consignes de sécurité données peut entraîner des risques résiduels supplémentaires. Ces risques peuvent survenir si l'appareil est mal utilisé, si l'utilisation est prolongée, etc. Malgré l'application des normes de sécurité correspondantes et la présence de dispositifs de sécurité, les risques résiduels suivants ne peuvent être évités. Ceci comprend :

- ◆ Les blessures dues au contact avec une pièce mobile/en rotation.
- ◆ Les blessures causées en changeant des pièces, lames ou accessoires.
- ◆ Les blessures dues à l'utilisation prolongée d'un outil. Une utilisation prolongée de l'outil nécessite des pauses régulières.
- ◆ Déficience auditive.
- ◆ Risques pour la santé causés par l'inhalation de poussières produites pendant l'utilisation de l'outil (exemple : travail avec du bois, surtout le chêne, le hêtre et les panneaux en MDF).

Vibration

La valeur des émissions de vibration déclarée dans la section Déclaration/Données techniques de conformité a été mesurée selon une méthode d'essai standard fournie par la norme EN 60745 et peut être utilisée pour comparer un outil à un autre. Elle peut aussi être utilisée pour une évaluation préliminaire à l'exposition.

Attention ! Selon la manière dont l'outil est utilisé, la valeur des émissions de vibration pendant l'utilisation de l'outil peut être différente de la valeur déclarée. Le niveau de vibration peut augmenter au-dessus du niveau établi.

Quand l'exposition aux vibrations est évaluée afin de déterminer les mesures de sécurité requises par la norme 2002/44/CE pour protéger les personnes utilisant régulièrement des outils électroportatifs, il faut tenir compte d'une estimation de l'exposition aux vibrations, des conditions actuelles d'utilisation et de la manière dont l'outil est utilisé. Il faut aussi tenir compte de toutes les composantes du cycle de fonctionnement comme la durée pendant laquelle l'outil est arrêté et quand il fonctionne au ralenti, ainsi que la durée du déclenchement.

Étiquettes de l'outil

Les pictogrammes ci-dessous se trouvent sur l'appareil :



Attention ! Pour réduire les risques de blessure, l'utilisateur doit lire le manuel d'instructions.



Portez des lunettes de sécurité pendant l'utilisation de l'outil.



Portez des protections auditives pendant l'utilisation de l'outil.



N'exposez pas l'outil à la pluie ou à l'humidité.



Puissance sonore garantie conforme à la Directive 2000/14/CE.



Débranchez immédiatement la fiche de l'alimentation secteur si le câble est endommagé ou coupé.



Attention : ne serrez pas excessivement. Serrez manuellement. Serrez uniquement à la force des doigts.

Sécurité électrique



Cet outil est doublement isolé et ne nécessite donc aucun câble de mise à la terre. Vérifiez si l'alimentation mentionnée sur la plaque signalétique de l'outil correspond bien à la tension présente sur le lieu.

- ◆ Si le câble d'alimentation est endommagé, il doit être remplacé par le fabricant ou par un Centre de réparation agréé BLACK+DECKER afin d'éviter tout accident.

Utilisation d'une rallonge

- ◆ Utilisez toujours une rallonge conforme aux normes et adaptée à la prise d'alimentation de cet outil (voir les données techniques). La rallonge doit être adaptée à une utilisation à l'extérieur et signalée comme tel. Une rallonge Black & Decker HO7RN-F 2 de 1.5 mm² allant jusqu'à 30 m peut être utilisée tout en maintenant les performances de l'appareil. Avant d'utiliser la rallonge, assurez-vous qu'elle est en bon état et récente. Remplacez la rallonge si elle est en mauvais état. Si vous utilisez un dévidoir, le câble doit être complètement déroulé.

Chutes de tension

- ◆ Sous certaines conditions d'alimentation, ce produit peut provoquer des chutes de tension à sa mise en marche.
- ◆ Elles peuvent avoir des répercussions sur les autres appareils. Par exemple, l'éclairage électrique peut temporairement être plus faible.
- ◆ Le cas échéant, contactez les fournisseurs et distributeurs d'électricité, pour déterminer si l'impédance de l'alimentation est inférieure à 0.172/0.293 ohms. Il est peu probable que des perturbations se produisent dans cette condition.

Protégez-vous contre les chocs électriques.

- ◆ Évitez de toucher des surfaces reliées à la terre (par exemple, les grillages métalliques, les lampadaires, etc.). Utilisez un dispositif de courant résiduel à grande sensibilité (30 mA/30mS) (RCD) pour améliorer la sécurité électrique.



Attention ! L'utilisation d'un dispositif RCD ou autre disjoncteur ne dispense pas l'utilisateur d'appliquer les consignes de sécurité et de travailler dans des conditions sûres, comme indiqué dans ce manuel de l'utilisateur.

Fonctionnalités

1. Déclencheur
2. Bouton de déblocage
3. Ensemble protection avant/frein de chaîne
4. Guide-chaîne
5. Chaîne
6. Cache-chaîne
7. Bouton de verrouillage du réglage de la chaîne
8. Roulette de réglage de tension de chaîne
9. Gaine de chaîne
10. Câble d'alimentation
11. Retenue du câble d'alimentation
12. Bouchon d'huile
13. Indicateur de niveau d'huile

Assemblage



Attention ! Portez toujours des gants de protection quand vous intervenez sur votre tronçonneuse.



Attention ! Avant d'assembler ou d'entretenir des outils électriques, mettez-les hors tension et débranchez-les de l'alimentation secteur.



Attention ! Retirez l'attache qui retient la chaîne au guide avant l'assemblage.

Graissage de la chaîne

Le graissage doit être effectué chaque fois que vous utilisez une nouvelle chaîne (5) pour la première fois. Faites tremper la nouvelle chaîne (5) dans de l'huile pour chaîne pendant une heure au moins avant de l'utiliser. Utilisez de l'huile pour chaîne BLACK+DECKER. Nous recommandons d'utiliser exclusivement de l'huile BLACK+DECKER pendant toute la durée de vie de votre tronçonneuse, car des mélanges d'huiles différentes peuvent entraîner une dégradation de l'huile, ce qui peut réduire considérablement la durée de vie de la chaîne et engendrer d'autres risques. N'utilisez jamais de l'huile usagée, épaisse ou de l'huile de machine à coudre très liquide. Cela pourrait endommager votre tronçonneuse.

Montage de la chaîne et du guide-chaîne. (figures A - E)

- ◆ Placez la tronçonneuse sur une surface stable.
- ◆ Placez l'ensemble protection avant/frein de chaîne (3) en position de marche avant (figure A).
- ◆ Faites tourner le bouton de verrouillage du réglage de la chaîne (7) vers la gauche pour déposer le cache-chaîne (6) (figure B).

- ◆ Placez la chaîne (5) sur le guide-chaîne (4) en dirigeant les dents de la chaîne sur la partie supérieure du guide-chaîne (4) face vers l'avant (figure C).
- ◆ Guidez la chaîne (5) autour du guide-chaîne (4) et tirez dessus pour former une boucle sur un côté à l'extrémité arrière du guide-chaîne (4).
- ◆ Guidez la chaîne (5) autour du pignon d'entraînement (14), en alignant la fente du guide et l'orifice central de la molette de réglage de tension de la chaîne (16) avec le boulon (15) (figure D).

Remarque : faites tourner la molette de réglage de tension de la chaîne jusqu'à ce que le boulon (15) soit aligné sur l'orifice central.

Attention ! Avant de le remonter, assurez-vous que l'ensemble protection avant/frein de chaîne (3) se trouve en position de marche avant (figure A).

- ◆ Placez le cache-chaîne (6) sur la tronçonneuse.
- ◆ Assurez-vous que la patte (17) du cache-chaîne est correctement positionnée dans l'encoche (18) du boîtier principal (figure E).
- ◆ Faites tourner le bouton de verrouillage du réglage de la chaîne (7) vers la droite jusqu'à ce qu'il soit serré.
- ◆ Contrôle de la tension - voir la section Contrôle de la tension de la chaîne ci-dessous.
- ◆ Si la tension de la chaîne est insuffisante - voir la section Augmentation de la tension de la chaîne ci-dessous.

Contrôle de la tension de la chaîne (médaillon de la figure F)

Avant utilisation et toutes les 10 minutes pendant l'utilisation, vous devez contrôler la tension de la chaîne.

- ◆ Débranchez l'outil de l'alimentation secteur
- ◆ Tirez légèrement sur la chaîne (5) comme illustré (médaillon de la figure F). La tension est correcte si la chaîne (5) se remet automatiquement en place lorsque vous l'éloignez de 3 mm du guide-chaîne (4). Il ne doit pas y avoir de « jeu » entre le guide-chaîne (4) et la chaîne (5) sur le dessous (figure G).

Augmentation de la tension de la chaîne (figure B)

- ◆ Desserrez le bouton de verrouillage du réglage de la chaîne (7) vers la gauche d'un demi-tour.
- ◆ Tournez la molette de réglage de tension de la chaîne (8) vers la droite jusqu'à ce que vous sentiez une légère résistance.
- ◆ Contrôle de la tension - voir la section Contrôle de la tension de la chaîne.
- ◆ Si la chaîne est correctement tendue, resserrez le bouton de verrouillage (7) ; si la tension doit être augmentée, tournez la molette de réglage (8). Ensuite, resserrez le bouton de verrouillage (7).

Remarque : ne tendez pas excessivement la chaîne sous peine de l'user prématurément et de réduire la durée de vie du guide-chaîne et de la chaîne.

Remarque : lorsque la chaîne est neuve, contrôlez fréquemment sa tension (après avoir débranché l'outil de l'alimentation électrique) au cours des 2 premières heures d'utilisation, car une chaîne neuve se détend légèrement.

Utilisation

Attention ! Laissez l'outil fonctionner à sa propre vitesse. Ne le poussez pas au-delà de sa limite.

Remplissage du réservoir d'huile (figure H)

- ◆ Enlevez le bouchon d'huile (12) et remplissez le réservoir avec l'huile pour chaîne recommandée. Le niveau d'huile peut être observé sur l'indicateur (13). Revissez le bouchon d'huile (12).
- ◆ Arrêtez régulièrement la tronçonneuse pour vérifier l'indicateur de niveau d'huile (13) ; si le niveau est inférieur au quart, débranchez votre tronçonneuse de la prise d'alimentation et remplissez le réservoir d'huile appropriée.

Cette tronçonneuse est équipée d'un système de lubrification automatique qui assure la lubrification constante de la chaîne et du guide. Nous recommandons d'utiliser exclusivement de l'huile BLACK+DECKER pendant toute la durée de vie de votre tronçonneuse, car des mélanges d'huiles différentes peuvent entraîner une dégradation de l'huile, ce qui peut réduire considérablement la durée de vie de la chaîne et engendrer d'autres risques. N'utilisez jamais de l'huile usagée, épaisse ou de l'huile de machine à coudre très liquide. Cela pourrait endommager votre tronçonneuse. Utilisez exclusivement de l'huile de qualité appropriée (cat. n° A6023-QZ).

- ◆ La tronçonneuse alimente automatiquement la chaîne en huile en cours d'utilisation.

Enclenchement du frein de chaîne (figure A)

- ◆ Vérifiez que la tronçonneuse est bien débranchée.
- ◆ Tirez l'ensemble protection avant/frein de chaîne (3) dans la position de marche avant (figure A).
- ◆ Vous pouvez à présent utiliser la tronçonneuse.

Mise en marche

Remarque : il ne sera pas possible de mettre l'outil en marche si l'ensemble protection avant/frein de chaîne n'est pas en position de marche avant.

- ◆ Saisissez fermement la tronçonneuse à deux mains. Enfoncez le bouton de déblocage (2) et appuyez sur le déclencheur (1) pour démarrer.

- ◆ Lorsque le moteur démarre, enlevez votre pouce du bouton de déblocage (2) et saisissez fermement la poignée. Ne forcez pas l'outil, laissez-le fonctionner normalement. Il sera plus efficace et garantira une meilleure sécurité en fonctionnant à la vitesse pour laquelle il est conçu. Vous risquez de détendre la chaîne (5) en appliquant une force excessive.

Fonctionnement du frein de chaîne anti-retour

En cas de retour de chaîne, votre main gauche entre en contact avec la protection avant et la pousse vers l'avant, en direction du morceau de bois, ce qui arrête l'outil en quelques fractions de seconde.

Vérification du fonctionnement du frein de chaîne anti-retour (figure A)

- ◆ Vérifiez toujours que le frein anti-retour fonctionne correctement avant l'utilisation.
- ◆ Saisissez fermement l'outil à deux mains sur une surface ferme. Assurez-vous que la chaîne (5) ne repose pas sur le sol et mettez la tronçonneuse en marche (voir « Mise en marche »).
- ◆ Faites pivoter votre main gauche autour de la poignée avant pour que le dos de votre main entre en contact avec l'ensemble protection avant/frein de chaîne (3) et poussez-le vers l'avant, en direction du morceau de bois (figure A). La chaîne (5) doit s'arrêter en quelques fractions de seconde.

Pour recommencer le travail après le fonctionnement de l'ensemble protection avant/frein de chaîne (3), suivez les instructions de la section Enclenchement du frein de chaîne.

Remarque : évitez de faire redémarrer l'outil si le moteur n'est pas complètement arrêté.

Remarque : Si le frein de chaîne ne fonctionne pas correctement, confiez l'outil à un centre de réparation BLACK+DECKER agréé.

En cas de blocage de la chaîne (5) ou du guide-chaîne (4)

- ◆ Arrêtez l'outil.
- ◆ Débranchez-le de l'alimentation secteur.
- ◆ Écartez l'entaille à l'aide de coins pour libérer le guide-chaîne (4). N'essayez pas de dégager la tronçonneuse par la force.
- ◆ Démarrez une nouvelle coupe.

Abattage (figure I - K)

Les utilisateurs inexpérimentés ne doivent en aucun cas essayer d'abattre des arbres. Ils risqueraient de provoquer des blessures ou des dégâts matériels si la direction de la chute n'est pas contrôlée, si l'arbre se fend ou si des branches endommagées/mortes tombent pendant la coupe. La distance de sécurité entre un arbre à couper et les personnes, bâtiments ou autres objets doit être au moins égale à 2½ fois la hauteur de l'arbre.

Les personnes, bâtiments ou objets se trouvant en-deçà de cette distance risquent d'être heurtés pendant la chute de l'arbre.

Avant d'essayer d'abattre un arbre :

- ◆ Assurez-vous que la législation ou les réglementations locales n'interdisent ou ne limitent pas l'abattage.
- ◆ Tenez compte de toutes les conditions pouvant affecter la direction de la chute, notamment :
 - ◆ La direction de chute souhaitée.
 - ◆ L'inclinaison naturelle de l'arbre.
 - ◆ Toute décomposition ou structure de branche maîtresse anormale.
 - ◆ Les arbres et obstacles environnants, y compris les lignes aériennes et conduites souterraines.
 - ◆ La vitesse et la direction du vent. Avant l'abattage, vérifiez où vont tomber les arbres ou les branches.

Assurez-vous qu'il n'existe aucun obstacle risquant d'empêcher ou de gêner vos déplacements. N'oubliez pas que l'herbe mouillée et l'écorce fraîchement coupée sont glissantes.

- ◆ Ne tentez pas d'abattre des arbres ayant un diamètre supérieur à la longueur de coupe de la tronçonneuse.
- ◆ Une entaille doit être coupée pour déterminer la direction de la chute.
- ◆ Effectuez une coupe horizontale à une profondeur entre 1/5ème et 1/3ème du diamètre de l'arbre, perpendiculairement à la ligne de chute à la base de l'arbre (figure I).
- ◆ Effectuez une seconde coupe par le haut pour rejoindre la première en effectuant une entaille d'environ 45°.
- ◆ Entaillez horizontalement de l'autre côté à une hauteur de 25 à 50 mm au-dessus du centre de l'entaille de direction. (figure J). Ne coupez pas dans cette entaille, vous risqueriez de perdre le contrôle de la direction de la chute.
- ◆ Placez un ou plusieurs coins dans cette entaille pour l'ouvrir et faire tomber l'arbre (figure K).

Élagage des arbres

Assurez-vous que la législation ou les réglementations locales n'interdisent ou ne limitent pas l'élagage. L'élagage ne doit être effectué que par des utilisateurs expérimentés, car il présente un risque accru d'effet de retour de la chaîne et de blocage de celle-ci.

Avant l'élagage, tenez compte de toutes les conditions pouvant affecter la direction de la chute, notamment :

- ◆ La longueur et le poids de la branche à élaguer.
- ◆ Toute carie ou défaut important de la structure d'une branche maîtresse.
- ◆ Les arbres environnants et les obstacles, en particulier les lignes aériennes.
- ◆ La vitesse et la direction du vent.

- ◆ Une branche entrelacée dans les autres branches.

L'utilisateur doit vérifier l'accès aux branches et la direction de la chute. La branche peut bouger en direction du tronc de l'arbre. Cela peut s'avérer dangereux pour les personnes, les objets et les bâtiments présents sous la branche.

- ◆ Pour éviter les éclats, faites une première entaille vers le haut à une profondeur maximum d'un tiers du diamètre de la branche.
- ◆ Effectuez une seconde entaille vers le bas pour croiser la première.

Coupe de bûches (figures L - O)

La façon de couper une bûche dépend de la manière dont elle est soutenue. Si possible, utilisez un chevalet de sciage. Commencez toujours la coupe quand la chaîne est en mouvement et que la griffe d'abattage (20) est en contact avec le bois (figure L). Pour exécuter cette opération, faites pivoter la griffe d'abattage contre le bois.

Lorsqu'elle est soutenue sur toute sa longueur :

- ◆ Faites une entaille vers le bas, mais évitez de toucher le sol pour ne pas émusser la tronçonneuse.

Lorsqu'elle est soutenue aux deux extrémités :

- ◆ Coupez d'abord la bûche vers le bas sur un tiers de sa hauteur pour éviter qu'elle se fende, puis coupez-la vers le haut jusqu'à ce que vous rejoigniez la première coupe.

Lorsqu'elle est soutenue à une extrémité :

- ◆ Pour éviter les éclats, coupez d'abord la bûche sur un tiers de sa hauteur vers le haut, puis coupez vers le bas.

Sur une pente :

- ◆ Faites toujours face à la pente.

Pour couper une bûche au sol (figure M) :

- ◆ Immobilisez la bûche avec des cales ou des coins. Personne ne doit se trouver debout ou assis sur la bûche. Assurez-vous que la chaîne n'est pas en contact avec le sol.

Utilisation d'un chevalet de sciage (figure N) :

Elle est vivement conseillée dans tous les cas possibles.

- ◆ Placez la bûche dans une position stable. Coupez toujours à l'extérieur des supports du chevalet de sciage. Utilisez des pinces ou des sangles pour maintenir la bûche.

Ébranchage (figure O)

L'ébranchage consiste à couper les branches d'un arbre après sa chute. Pendant le travail, conservez les plus grosses branches inférieures pour soutenir le tronc au-dessus du niveau du sol. Éliminez les petites branches en une seule coupe. Les branches soumises à une tension doivent être coupées du bas vers le haut pour éviter de bloquer la chaîne. Taillez les branches à partir du côté opposé en maintenant le tronc de l'arbre entre vous et la scie. Ne tronçonnez jamais en plaçant l'outil entre les jambes ou en chevauchant la branche à couper.

Dépannage

Problème	Cause possible	Solution possible
L'outil ne démarre pas	Le bouton de déblocage n'est pas enfoncé.	Appuyez sur le bouton de déblocage.
	Protection avant en position de freinage	Réinstallez la protection avant
	Fusible grillé	Remplacez le fusible
	Déclenchement du circuit RCD	Vérifiez le circuit RCD
	Cordon d'alimentation non branché	Vérifier l'alimentation secteur
La chaîne ne s'arrête pas dans les 2 secondes qui suivent la mise hors tension de l'outil	La chaîne est trop détendue	Vérifiez la tension de la chaîne
Le guide/la chaîne est chaud/émet de la fumée	Réservoir d'huile vide	Vérifiez le niveau d'huile du réservoir
	L'orifice de remplissage d'huile est bouché sur le guide-chaîne	Nettoyez les orifices d'huile (21 - figure E) et dégagez la rainure autour du bord du guide-chaîne.
	La chaîne est trop tendue	Vérifiez la tension de la chaîne
	L'extrémité du pignon d'entraînement du guide-chaîne doit être graissé	Lubrifiez l'extrémité du pignon d'entraînement du guide-chaîne
La tronçonneuse ne coupe pas parfaitement	La chaîne est orientée vers l'arrière	Vérifiez/modifiez la direction de la chaîne
		Aiguissez

Problème	Cause possible	Solution possible
La tronçonneuse n'utilise pas d'huile	Débris dans le réservoir	Videz l'huile du réservoir et remplacez
	Orifice de remplissage d'huile bouché	Retirez les débris de l'orifice
	Débris dans le guide-chaîne	Retirez les débris et nettoyez le guide-chaîne
	Débris dans la sortie d'huile	Retirez les débris

Entretien

Un entretien régulier permet de prolonger la durée de vie de l'outil. Il est conseillé de procéder régulièrement aux vérifications suivantes.

Attention ! À ne pas oublier avant l'entretien des outils électroportatifs :

- ◆ Éteignez l'outil et débranchez-le du secteur.

Niveau d'huile

Le réservoir doit toujours être rempli au moins au quart de sa capacité.

Chaîne et guide-chaîne (figure F)

- ◆ Après quelques heures d'utilisation et avant le rangement, enlevez le guide-chaîne (4) et la chaîne (5) et nettoyez-les complètement.
- ◆ Assurez-vous que la protection est propre et exempte de débris.
- ◆ Pour le remontage, tournez le guide-chaîne (4) de 180°, retirez la roulette de tension de la chaîne à l'aide d'un tournevis et refixez-la sur le côté opposé du guide-chaîne.

Attention ! Ne serrez pas excessivement.

- ◆ Lubrifiez l'extrémité du pignon via l'orifice de lubrification (19) afin d'assurer une usure uniforme autour des rails du guide-chaîne.

Affûtage de la chaîne

Pour optimiser les performances de l'outil, il est important que les dents de la chaîne soient toujours bien aiguisées. Les instructions relatives à cette opération sont fournies avec le kit d'affûtage. Nous vous recommandons d'acheter le kit d'affûtage de chaîne coupante BLACK+DECKER (disponible auprès des revendeurs et des réparateurs BLACK+DECKER).

Remplacement des chaînes usées

Vous pouvez vous procurer des chaînes de rechange auprès des détaillants ou des réparateurs agréés BLACK+DECKER. Utilisez toujours des pièces de rechange d'origine.

Affûtage de la chaîne

Les dents de la chaîne s'émousent immédiatement si elles touchent le sol ou un clou pendant la coupe.

Tension de la chaîne

Vérifiez régulièrement la tension de la chaîne.

Que faire si votre tronçonneuse doit être réparée?

Votre tronçonneuse a été fabriquée conformément aux normes de sécurité en vigueur. Les réparations doivent être effectuées exclusivement par des personnes qualifiées en utilisant des pièces de rechange d'origine sous peine d'exposer l'utilisateur à de graves dangers.

Nous vous conseillons de conserver ce manuel d'utilisateur dans un endroit sûr.

Remplacement des fiches d'alimentation (R-U et Irlande uniquement)

Si une nouvelle fiche d'alimentation doit être installée :

- ◆ Mettez au rebut la vieille prise.
- ◆ Branchez le fil brun dans la borne de la nouvelle prise.
- ◆ Branchez le fil bleu à la borne neutre.

Attention ! Aucune connexion ne doit être faite à la borne de terre. Suivez les instructions de montage fournies avec les prises de bonne qualité. Fusibles recommandés : 13 A.

Protection de l'environnement



Recyclage. Ce produit ne doit pas être jeté avec les déchets ménagers.

Si votre produit BLACK+DECKER doit être remplacé ou si vous ne l'utilisez plus, ne le jetez pas avec les ordures ménagères. Songez à la protection de l'environnement et recyclez-le.



La collecte séparée des produits et des emballages usagés permet de recycler et de réutiliser des matériaux. La réutilisation de matériaux recyclés évite la pollution de l'environnement et réduit la demande de matières premières.

Des réglementations locales peuvent stipuler la collecte séparée des produits électriques et des produits ménagers, dans des déchetteries municipales ou par le revendeur lorsque vous achetez un nouveau produit.

BLACK+DECKER offre une solution permettant de recycler les produits BLACK+DECKER lorsqu'ils ont atteint la fin de leur cycle de vie. Pour pouvoir profiter de ce service, veuillez retourner votre produit à un réparateur agréé qui se chargera de le collecter pour nous.

Pour connaître l'adresse du réparateur agréé le plus proche de chez vous, contactez le bureau BLACK+DECKER à l'adresse indiquée dans ce manuel. Une liste des réparateurs agréés BLACK+DECKER ainsi que des informations détaillées sur notre service après-vente et nos coordonnées sont aussi disponibles sur le site Internet à l'adresse suivante : www.2helpU.com

Données techniques

		CS2040 (Type 1)	CS2245 (Type 1)
Tension	V _{ac}	230V	230V
Puissance	W	2000W	2200W
Vitesse de la chaîne (à vide)	m/s	12.5m/s	12.5m/s
Longueur de coupe maximum	mm	397	436
Capacité d'huile	ml	200ml	150ml
Poids	kg	5.5	5.66
Classe de sécurité		II	II

Niveau de pression sonore selon la norme EN 60745 :

L_{PA} (pression sonore) 85.7/95 dB(A), incertitude (K) 3/2.5 dB(A)

L_{WA} (pression sonore) 102.1/106 dB(A), incertitude (K) 3/2.5 dB(A)

Valeurs totales des vibrations (somme vectorielle triaxiale) selon la norme EN 60745 :

Valeur d'émission de vibration (a_v) 4.5/5.5m/s², incertitude (K) 1.5 m/s²

Déclaration de conformité CE CONSIGNES DE MACHINERIE DIRECTIVE RELATIVE AUX NUISANCES SONORES EXTÉRIEURES



CS2040/CS2245

Black & Decker confirme que les produits décrits dans les Données techniques sont conformes aux normes :
2006/42/CE, EN 60745-1, EN 60745-2-13
2006/42/CE, Tronçonneuse, Annexe IV
TÜV Rheinland LGA Products GmbH;
Tillystraße 2 D - 90431 Nürnberg, Germany;
Pays-Bas N° ID corps : 0197

Niveau de puissance sonore selon la norme 2000/14/CE
(Article 13, Annexe III) :
L_{WA} (puissance sonore mesurée) 102.1/106dB(A)
Incertitude (K) 3/2.5dB(A)
L_{WA} (puissance sonore garantie) 109/110 dB(A)

Ces produits sont également conformes aux Directives 2014/30/UE et 2011/65/UE. Pour plus de détails, veuillez contacter Black & Decker à l'adresse suivante ou reportez-vous au dos du manuel.

Le soussigné est responsable des données de la fiche technique et fait cette déclaration au nom de Black & Decker.

R. Laverick
Responsable technique
Black & Decker Europe, 210 Bath Road, Slough,
Berkshire, SL1 3YD
Royaume-Uni
10/09/2014

Garantie

Black & Decker vous offre une garantie très élargie ainsi que des produits de qualité. Ce certificat de garantie est un document supplémentaire et ne peut en aucun cas se substituer à vos droits légaux. La garantie est valable sur tout le territoire des États Membres de l'Union Européenne et de la Zone de Libre Échange Européenne.

Si un produit Black & Decker s'avère défectueux en raison de matériaux en mauvaises conditions, d'une erreur humaine, ou d'un manque de conformité dans les 24 mois suivant la date d'achat, Black & Decker garantit le remplacement des pièces défectueuses, la réparation des produits usés ou cassés ou remplace ces produits à la convenance du client, sauf dans les circonstances suivantes :

- ◆ Le produit a été utilisé dans un but commercial, professionnel, ou a été loué ;
- ◆ Le produit a été mal utilisé ou utilisé avec négligence ;
- ◆ Le produit a subi des dommages à cause d'objets étrangers, de substances ou à cause d'accidents ;
- ◆ Des réparations ont été tentées par des techniciens ne faisant pas partie du service technique de Black & Decker.

Pour avoir recours à la garantie, il est nécessaire de fournir une preuve d'achat au vendeur ou à un réparateur agréé.

Pour connaître l'adresse du réparateur agréé le plus proche de chez vous, contactez le bureau Black & Decker à l'adresse indiquée dans ce manuel. Une liste des réparateurs agréés Black & Decker ainsi que des informations détaillées sur notre service après-vente et nos coordonnées sont aussi disponibles sur le site Internet à l'adresse suivante : www.2helpU.com

com Visitez notre site Web www.blackanddecker.fr pour enregistrer votre nouveau produit BLACK+DECKER et être informé des nouveaux produits et des offres spéciales. Pour plus d'informations concernant la marque BLACK+DECKER et notre gamme de produits, visitez notre site www.blackanddecker.fr

Uso previsto

Questa motosega BLACK+DECKER™ è stata progettata per potare e abbattere alberi e per tagliare ceppi. L'elettrotensile è stato progettato solo per uso privato.

Istruzioni di sicurezza

Avvisi di sicurezza generici per gli elettrotensili



Avvertenza! Leggere tutti gli avvisi di sicurezza e tutte le istruzioni. La mancata osservazione dei presenti avvisi e istruzioni potrebbe causare scosse elettriche, incendi e/o infortuni gravi.

Conservare tutte le istruzioni e le avvertenze per futura consultazione.

Il termine "elettrotensile" che ricorre in tutti gli avvisi seguenti si riferisce ad utensili elettrici con o senza filo.

1. Sicurezza nella zona di lavoro

- a. **Mantenere pulita e ben illuminata la zona di lavoro.**
Disordine o scarsa illuminazione possono causare incidenti.
- b. **Evitare d'impiegare gli elettrotensili in ambienti esposti al rischio di esplosione, ad esempio in presenza di liquidi, gas o polveri infiammabili.** Gli elettrotensili producono scintille che possono far infiammare la polvere o i fumi.
- c. **Mantenere lontani bambini e osservatori mentre si usa l'elettrotensile.** Eventuali distrazioni possono comportare la perdita del controllo dell'elettrotensile.

2. Sicurezza elettrica

- a. **Le spine elettriche degli elettrotensili devono essere adatte alla presa. Evitare assolutamente di modificare la spina elettrica. Non usare adattatori con elettrotensili provvisti di messa a terra.** L'uso di spine inalterate e delle prese corrispondenti riduce il rischio di scosse elettriche.
- b. **Evitare il contatto fisico con superfici collegate a terra, come tubi, radiatori, forni e frigoriferi.** Un corpo collegato a terra è esposto maggiormente al rischio di scosse elettriche.
- c. **Custodire gli elettrotensili al riparo dalla pioggia o dall'umidità.** L'eventuale infiltrazione di acqua in un elettrotensile va ad aumentare il rischio di scosse elettriche.

- d. **Non utilizzare il cavo in modo improprio. Non usare il cavo per trasportare o trainare l'elettrotensile e non tirarlo per estrarre la spina dalla presa di corrente. Mantenere il cavo al riparo da calore, olio, bordi taglienti e/o da parti in movimento.** I cavi danneggiati o aggrovigliati aumentano il rischio di scosse elettriche.
- e. **Se l'elettrotensile viene adoperato all'aperto, usare esclusivamente prolunghie omologate per l'impiego all'esterno.** Un cavo adatto per uso esterno riduce il rischio di scosse elettriche.
- f. **Se non è possibile evitare di lavorare in una zona umida, usare un'alimentazione elettrica protetta da un dispositivo a corrente residua (RCD).** L'uso di un dispositivo RCD riduce il rischio di scosse elettriche.

3. Sicurezza delle persone

- a. **È importante concentrarsi su ciò che si sta facendo e maneggiare con giudizio l'elettrotensile. Non adoperare l'elettrotensile se si è stanchi o sotto l'effetto di stupefacenti, alcol o medicinali.** Un attimo di distrazione può causare gravi infortuni personali.
- b. **Utilizzare un equipaggiamento di protezione personale. Indossare sempre occhiali di sicurezza.** Se si avrà cura d'indossare l'equipaggiamento protettivo necessario, ad esempio una maschera antipolvere, delle calzature antiscivolo, un casco o delle otoprotezioni, si ridurrà il rischio di infortuni.
- c. **Impedire l'avviamento involontario. Accertarsi che l'interruttore di accensione sia regolato su spento prima di collegare l'elettrotensile all'alimentazione elettrica e/o al battery pack, di prenderlo in mano o di trasportarlo.** Per non esporsi al rischio di incidenti, non trasportare gli elettrotensili tenendo le dita sull'interruttore oppure, se sono collegati a un'alimentazione elettrica, con l'interruttore acceso.
- d. **Prima di accendere un elettrotensile, togliere eventuali chiavi o attrezzi di regolazione.** Un utensile o una chiave lasciati in un componente mobile dell'elettrotensile potranno causare lesioni.
- e. **Non piegarsi eccessivamente in avanti. Mantenere sempre un buon equilibrio evitando posizioni instabili.** In questo modo è possibile controllare meglio l'elettrotensile in situazioni inaspettate.
- f. **Vestirsi adeguatamente. Evitare di indossare indumenti larghi o gioielli. Tenere capelli, capi di vestiario e guanti lontani da parti in movimento.** Capi di vestiario larghi, gioielli o capelli lunghi potrebbero impigliarsi nei componenti in movimento.

- g. Se gli elettroutensili sono provvisti di attacchi per il collegamento di dispositivi di aspirazione o di raccolta della polvere, assicurarsi che questi siano installati e utilizzati correttamente.** L'impiego di dispositivi di raccolta della polvere diminuisce i rischi relativi alle polveri.
- 4. Uso e cura degli elettroutensili**
- a. Non sovraccaricare l'elettroutensile. Usare l'elettroutensile adatto al lavoro da eseguire.**
Utilizzando l'elettroutensile adatto si potrà lavorare meglio e con maggiore sicurezza alla potenza nominale prevista.
- b. Non utilizzare elettroutensili con interruttori difettosi.**
Un elettroutensile che non può essere controllato mediante l'interruttore è pericoloso e deve essere riparato.
- c. Scollegare la spina dalla presa di corrente e/o il battery pack dall'elettroutensile prima di regolarlo, di sostituire gli accessori o di riparlo.** Queste precauzioni di sicurezza riducono la possibilità che l'elettroutensile sia messo in funzione inavvertitamente.
- d. Quando non sono usati, gli elettroutensili devono essere custoditi fuori della portata dei bambini. Non consentire l'uso dell'elettroutensile a persone inesperte o che non abbiano letto le presenti istruzioni.** Gli elettroutensili risultano pericolosi se usati da persone inesperte.
- e. Sottoporre gli elettroutensili alle necessarie procedure di manutenzione. Verificare che le parti mobili siano bene allineate e non inceppate, che non vi siano componenti rotti e che non sussistano altre condizioni che possono compromettere il funzionamento dell'elettroutensile. In caso di danni, riparare l'elettroutensile prima dell'uso.** La scarsa manutenzione causa molti incidenti.
- f. Mantenere affilati e puliti gli utensili da taglio.** Se sottoposti alla giusta manutenzione, gli strumenti da taglio con taglienti affilati s'inceppano meno frequentemente e sono più facili da manovrare.
- g. Utilizzare l'elettroutensile, gli accessori e le punte in conformità delle presenti istruzioni, tenendo conto delle condizioni di lavoro e del lavoro da completare.** L'impiego dell'elettroutensile per usi diversi da quelli consentiti può dar luogo a situazioni pericolose.
- 5. Riparazioni**
- a. Fare riparare l'elettroutensile solo ed esclusivamente da personale specializzato e solo impiegando pezzi di ricambio originali, onde non alterarne la sicurezza.**

Altri avvisi di sicurezza per gli elettroutensili



Attenzione! Ulteriori avvisi di sicurezza per le motoseghe

- ◆ **Mantenere ogni parte del corpo lontana dalla motosega durante l'impiego.** Prima di accendere la motosega, assicurarsi che la catena non sia a contatto con alcun oggetto. Un attimo di distrazione durante l'impiego della motosega può far impigliare l'abbigliamento o parti del corpo nella motosega stessa.
- ◆ **Tenere sempre la motosega con la mano destra sull'impugnatura posteriore e quella sinistra sull'impugnatura anteriore.** Tenere la motosega all'incontrario rispetto a quanto consigliato aumenta il rischio di lesioni personali: non bisogna mai farlo.
- ◆ **Afferrare l'elettroutensile solo sull'impugnatura provvista di materiale isolante, dato che la catena potrebbe venire a contatto di cavi nascosti o del proprio filo di alimentazione.** Il contatto tra la catena della motosega e un filo sotto tensione mette sotto tensione anche le parti metalliche esposte dell'elettroutensile, con il rischio di scosse elettriche per l'operatore.
- ◆ **Indossare occhiali di sicurezza e otoprotezioni. Si consiglia inoltre un equipaggiamento protettivo per testa, mani, gambe e piedi.** Un abbigliamento protettivo idoneo riduce il rischio di lesioni personali causate dal lancio di rami o dal contatto accidentale con la motosega.
- ◆ **Non utilizzare la motosega sopra a un albero.** L'utilizzo della motosega quando ci si trova in alto su di un albero può causare lesioni personali.
- ◆ **Mantenere sempre un buon equilibrio e utilizzare la motosega solo quando ci si trova su di una superficie fissa, sicura e piana.** Superfici sdrucciolevoli o poco stabili come le scale a pioli possono causare la perdita di equilibrio o del controllo della motosega.
- ◆ **Se si taglia un ramo sotto tensione, prestare attenzione all'effetto "molla".** Quando la tensione nelle fibre del legno viene rilasciata, il ramo caricato come una molla può colpire l'operatore e/o fargli perdere il controllo della motosega.
- ◆ **Prestare la massima attenzione quando si tagliano cespugli e giovani pertiche:** il materiale sottile potrebbe impigliarsi nella motosega e schizzare verso l'operatore oppure fargli perdere l'equilibrio.
- ◆ **Trasportare la motosega spenta e tenuta lontana del corpo afferrandola dall'impugnatura anteriore.** Durante il trasporto o quando si ripone la motosega, montare sempre il coperchio della barra di guida. Il corretto maneggio della motosega riduce la probabilità di contatto accidentale con la catena in movimento della motosega.
- ◆ **Seguire le istruzioni relative alla lubrificazione, al tensionamento della catena e alla sostituzione degli accessori.** Le catene tese o lubrificate in modo errato possono o rompersi o aumentare la probabilità di contraccolpi.

- ◆ **Mantenere le impugnature pulite e prive di tracce di olio o grassi.** Residui di olio o grasso sulle impugnature le rendono scivolose causando la perdita di controllo.
- ◆ **Tagliare solo il legno. Non usare la motosega per lavori diversi da quelli previsti. Ad esempio: non utilizzare la motosega per tagliare plastica, murature o materiali da costruzione diversi dal legno.** L'impiego della motosega per usi diversi da quelli previsti può dar luogo a situazioni di pericolo.

Possibili cause e accorgimenti per impedire un contraccolpo

I contraccolpi possono verificarsi quando la punta della barra di guida tocca un oggetto o quando il legno tagliato si richiude e incastra la catena della motosega nel taglio. A volte il contatto con la punta può causare una reazione inversa improvvisa, spingendo la barra di guida verso l'alto e indietro verso l'operatore. Se la catena della motosega rimane incastrata lungo la parte superiore della barra di guida è possibile che la barra venga spinta indietro velocemente contro l'operatore. Entrambe queste reazioni possono causare la perdita di controllo della motosega con la probabilità di pericolose lesioni personali. Non fare affidamento esclusivamente sui dispositivi di sicurezza incorporati nella motosega. Ricade sull'operatore della motosega la responsabilità di eseguire dei lavori di taglio che non causino incidenti o lesioni. Un contraccolpo è la conseguenza di un utilizzo non appropriato oppure non corretto dell'elettrotensile. Esso può essere evitato soltanto adottando le misure di sicurezza idonee come descritto di seguito:

- ◆ **Tenere saldamente la motosega afferrando le impugnature con i pollici e le dita. Afferrando la motosega con entrambe le mani, posizionare il corpo e il braccio in modo da far fronte ad eventuali contraccolpi.**
L'operatore è in grado di resistere alla forza esercitata da eventuali contraccolpi se adotta le precauzioni del caso. Non lasciare andare la motosega.
- ◆ **Non sbilanciarsi e non tagliare oltre l'altezza della spalla.** In questo modo si evita il contatto involontario con la punta e si mantiene un miglior contatto della motosega in situazioni impreviste.
- ◆ **Utilizzare solamente le barre di guida e le catene di ricambio indicate dal produttore.** L'errata sostituzione delle barre di guida e delle catene può causare la rottura della catena e/o contraccolpi.
- ◆ **Rispettare le istruzioni di affilatura e di manutenzione della catena della motosega date dal fabbricante.** La diminuzione dell'altezza del calibro di profondità aumenta la possibilità di contraccolpi.
- ◆ Il contatto con metallo, cemento o altri materiali duri che si trovano in prossimità del legno o al suo interno possono causare un contraccolpo.

- ◆ Una catena smussata o allentata può causare un contraccolpo.
- ◆ Non cercare di inserire la sega in un taglio praticato in precedenza, dato che potrebbe causare un contraccolpo. Praticare un nuovo taglio ogni volta.

Consigli di sicurezza per la motosega

- ◆ Consigliamo vivamente a chi usa una motosega per la prima volta di farsi dare consigli pratici da un esperto sia per l'uso della motosega sia per l'equipaggiamento protettivo. Completare questa lezione pratica segnando ceppi su un cavalletto o un'intelaiatura di sostegno.
- ◆ Quando non viene adoperata, la motosega deve essere sottoposta alla necessaria manutenzione. Non riporre mai la motosega senza averne rimosso la catena e la barra di guida che devono essere conservate in un bagno d'olio. Tutti i componenti della motosega devono essere riposti in luogo sicuro e asciutto, fuori dalla portata dei bambini.
- ◆ Consigliamo di scaricare l'olio in un apposito serbatoio prima di riporre l'elettrotensile.
- ◆ Prima di abbattere dei rami o un albero, accertarsi che esista una via di fuga per sfuggire ai rami o all'albero in caduta.
- ◆ Fare uso di cunei per controllare la direzione di caduta ed evitare che la catena e la barra di guida si blocchino nel taglio.
- ◆ Manutenzione della motosega. La catena deve essere sempre affilata e bene aderente alla barra di guida. Verificare che catena e barra di guida siano pulite e perfettamente lubrificate. Mantenere le maniglie asciutte, pulite e prive di olio o grasso.

Evitare di tagliare:

- ◆ assi o legno lavorato;
- ◆ il terreno;
- ◆ recinzioni metalliche, chiodi, ecc.

Ulteriori precauzioni di sicurezza

- ◆ Assicurarsi che nelle vicinanze (ma a distanza di sicurezza), sia sempre presente qualcuno che possa intervenire in caso di incidente.
- ◆ Se, per qualsiasi motivo, è necessario toccare la catena, accertarsi che la motosega non sia collegata all'alimentazione elettrica.
- ◆ La rumorosità della motosega può superare 85 dB(A). Si suggerisce, quindi, di adottare le misure del caso per proteggere l'udito.
- ◆ **Durante l'impiego della motosega, la catena potrebbe riscaldarsi. Manipolarla con attenzione. Sicurezza altrui**

- ◆ Questo elettroutensile non è concepito per l'impiego da parte di bambini o persone portatrici di handicap fisici, psichici o sensoriali o che non abbiano la dovuta esperienza o conoscenza, a meno che non siano seguite o opportunamente istruite sul suo impiego da parte di una persona responsabile della loro sicurezza.
- ◆ Controllare che i bambini non giochino con l'elettroutensile.

Rischi residui.

Quando si usa l'elettroutensile, possono esservi altri rischi residui che possono non essere stati contemplati negli avvisi di sicurezza allegati. Tali rischi possono sorgere a seguito di un uso prolungato o improprio, ecc. Perfino adottando gli appositi regolamenti di sicurezza e utilizzando i dispositivi di sicurezza, certi rischi residui non possono essere evitati. Essi comprendono:

- ◆ Lesioni causate o subite a seguito del contatto con parti rotanti/in movimento.
- ◆ Lesioni causate o subite durante la sostituzione di parti, lame o accessori.
- ◆ Lesioni causate dall'impiego prolungato di un elettroutensile. Quando si usa qualsiasi elettroutensile per lunghi periodi, accertarsi di fare regolarmente delle pause.
- ◆ Problemi di udito.
- ◆ Rischi per la salute causati dall'aspirazione di polvere generata dall'utilizzo dell'elettroutensile (ad esempio quando si lavora con il legno, in modo particolare quello di quercia, faggio o l'MDF.)

Vibrazioni

I valori dichiarati delle emissioni di vibrazioni al paragrafo Dati tecnici e nella Dichiarazione di conformità del presente manuale sono stati misurati in base al metodo di test standard previsto dalla normativa EN 60745 e possono essere usati come parametri di confronto tra due utensili. Il valore delle emissioni di vibrazioni dichiarato può anche essere usato come valutazione preliminare dell'esposizione.

Attenzione! Il valore delle emissioni di vibrazioni durante l'impiego effettivo dell'elettroutensile può variare da quello dichiarato a seconda delle modalità d'uso. Il livello delle vibrazioni può aumentare oltre quello dichiarato.

Quando si valuta l'esposizione alle vibrazioni per determinare le misure di sicurezza richieste dalla normativa 2002/44/CE destinata alla protezione delle persone che usano regolarmente gli elettroutensili nello svolgimento delle proprie mansioni, è necessario prendere in considerazione le condizioni effettive di utilizzo e il modo in cui l'utensile è usato, oltre a tenere in conto tutte le componenti del ciclo operativo, vale a dire i periodi in cui l'elettroutensile è spento, quelli in cui è acceso, ma a riposo e quelli in cui è effettivamente utilizzato.

Etichette sull'elettroutensile

Sull'elettroutensile appaiono i seguenti pittogrammi:



Attenzione! Per ridurre il rischio di infortuni, l'utente deve leggere il manuale d'uso.



Indossare occhiali di sicurezza quando si usa l'elettroutensile.



Indossare otoprotezioni quando si usa l'elettroutensile.



Non esporre l'elettroutensile alla pioggia o a un'umidità intensa.



Pressione sonora garantita in base alla direttiva 2000/14/CE.



Scollegare immediatamente il cavo dalla rete di alimentazione se danneggiato o tagliato.



Avvertenza Non serrare eccessivamente. Serrare a mano stringendo solo con le dita.

Sicurezza elettrica



Il doppio isolamento di cui è provvisto l'elettrodomestico rende superfluo il filo di terra. Controllare sempre che l'alimentazione corrisponda alla tensione indicata sulla targhetta dei dati tecnici.

- ◆ In caso di danneggiamento del filo di alimentazione, è necessario farlo riparare dal fabbricante o presso un centro assistenza BLACK+DECKER autorizzato in modo da evitare eventuali pericoli.

Utilizzo di un cavo di prolunga

- ◆ Usare sempre un cavo di prolunga di tipo omologato, idoneo all'assorbimento di corrente di questo elettrotensile (vedere i dati tecnici). Il cavo di prolunga deve essere idoneo per impiego all'esterno e deve essere opportunamente contrassegnato. È possibile usare un cavo di prolunga HO7RN-F 2 lungo fino a 30 m con diametro di 1.5 mm² senza perdita alcuna delle prestazioni del prodotto. Prima dell'impiego, ispezionare il cavo di prolunga per accertarsi che non presenti segni di danni, usura o invecchiamento. Sostituire il cavo di prolunga se è danneggiato o difettoso. Se si usa un mulinello, svolgere sempre completamente il cavo.

Caduta di tensione

- ◆ In alcuni casi, che dipendono dal tipo di alimentazione, questo elettrotensile può causare una breve caduta di tensione all'avviamento,
- ◆ che potrebbe avere un effetto negativo su altre apparecchiature. Si potrebbe ad esempio avere una riduzione temporanea dell'intensità luminosa dell'impianto di illuminazione.
- ◆ Se necessario, rivolgersi all'ente di erogazione dell'energia elettrica per determinare se l'impedenza dell'alimentazione elettrica è inferiore a 0.172/0.293ohm. Se lo è, si possono verificare dei disturbi.

Fare attenzione alle scosse elettriche

- ◆ Evitare il contatto con le superfici messe a terra (ad esempio guide metalliche, steli di lampade ecc.). La sicurezza elettrica può essere ulteriormente aumentata utilizzando un dispositivo a corrente residua (RCD) ad alta sensibilità (30 mA/30 mS).



Attenzione! L'impiego di un dispositivo a corrente residua o di altri interruttori automatici non esonera l'operatore della motosega dall'osservanza delle istruzioni di sicurezza e delle prassi di lavoro riportate in questo manuale.

Caratteristiche

1. Interruttore di accensione/spegnimento
2. Pulsante di sicurezza
3. Freno catena/protezione anteriore
4. Barra di guida
5. Catena
6. Coperchio catena
7. Pomello di bloccaggio regolazione catena
8. Rotella di regolazione tensione catena
9. Guaina catena
10. Filo di alimentazione
11. Contenimento filo di alimentazione
12. Tappo olio
13. Indicatore livello olio

Montaggio



Attenzione! Indossare sempre guanti protettivi quando si lavora sulla motosega.



Attenzione! Prima di eseguire operazioni di assemblaggio o manutenzione su apparecchi elettrici, spegnerli e scolgarli dalla rete di alimentazione.



Attenzione! Prima dell'assemblaggio, togliere la fascetta che attacca la catena alla relativa barra.

Lubrificazione della catena

Procedere con la lubrificazione ogni volta che si adopera una catena nuova (5) per la prima volta. Estrarre la nuova catena (5) e immergerla in olio per catene per almeno un'ora prima di usarla. Usare olio per catene BLACK+DECKER. Si suggerisce di usare esclusivamente olio BLACK+DECKER per l'intera durata di servizio della motosega, in quanto miscele di oli diversi possono compromettere la qualità del lubrificante, ridurre notevolmente la durata della catena e creare altri rischi. Non usare mai olio di scarto, olio pesante od olio troppo leggero tipo quello per macchine da cucire, poiché questi oli potrebbero danneggiare la motosega.

Montaggio della barra di guida e della catena (figg. A - E)

- ◆ Collocare la motosega su una superficie stabile.
- ◆ Regolare il gruppo protezione anteriore/freno catena (3) nella posizione avanti (fig. A).
- ◆ Ruotare in senso antiorario il pomello di bloccaggio della regolazione della catena (7) per rimuovere il coperchio della catena (6) (fig. B).
- ◆ Collocare la catena (5) sopra la barra di guida (4), verificando che i taglianti della catena sulla faccia della barra di guida (4) siano rivolti verso il lato anteriore (fig. C).
- ◆ Far passare la catena (5) attorno alla barra di guida (4) e tirarla per creare un cappio su di un lato all'estremità posteriore della barra di guida (4).
- ◆ Far passare la catena (5) attorno al rocchetto dentato di trasmissione (14) e allineare il foro nella barra di guida e il foro centrale della rotella di tensionamento della catena (16) con il bullone (15) (fig. D).

Nota: ruotare la rotella di tensionamento della catena quanto necessario per allineare il foro centrale al bullone (15).

Attenzione! Accertarsi che il gruppo protezione anteriore/freno catena (3) si trovi nella posizione (avanti) prima del riassetto (fig. A).

- ◆ Collocare il coperchio della catena (6) sulla motosega.
- ◆ Accertarsi che la linguetta (17) sul coperchio della catena si inserisca correttamente nella fessura (18) sull'alloggiamento principale (fig. E).
- ◆ Ruotare in senso orario il pomello di bloccaggio della regolazione della catena (7) finché è ben fermo in sede.
- ◆ Controllare la tensione (vedere "Controllo della tensione della catena" più sotto).
- ◆ Se la tensione della catena è insufficiente, vedere "Aumento della tensione della catena" più sotto.

Controllo della tensione della catena (riquadro in fig. F)

Prima dell'uso e dopo ogni 10 minuti di funzionamento, è necessario controllare la tensione della catena.

- ◆ Scollegare l'elettrotensile dall'alimentazione elettrica.
- ◆ Tirare leggermente la catena (5) come illustrato (riquadro in fig. F). La tensione è corretta se la catena (5) scatta all'indietro una volta allontanata di 3 mm dalla barra di guida (4). Sul lato inferiore, tra la barra di guida (4) e la catena (5), non devono esservi cedimenti (fig. G).

Aumento della tensione della catena (fig. B)

- ◆ Allentare il pomello di bloccaggio della regolazione della catena (7) ruotandolo di mezzo giro in senso antiorario.
- ◆ Girare la rotella di regolazione della tensione della catena (8) in senso orario fino a quando si percepisce una lieve resistenza.

- ◆ Controllare la tensione (vedere "Controllo della tensione della catena").
- ◆ Se la tensione è sufficiente, serrare il pomello di bloccaggio (7); altrimenti, se occorre maggior tensione, girare la rotella di regolazione (8). Quindi serrare il pomello di bloccaggio (7).

Nota: non tendere troppo la catena per evitare un'usura eccessiva che ridurrebbe la durata della barra di guida e della catena stessa.

Nota: Quando la catena è nuova, controllarne spesso la tensione (dopo avere scollegato la motosega dall'alimentazione di rete) durante le prime due ore d'uso, in quanto una catena nuova cede leggermente.

Utilizzo Attenzione!

Lasciare che l'elettrotensile funzioni al suo ritmo. Non sovraccaricarlo.

Riempimento del serbatoio dell'olio (fig. H)

- ◆ Togliere il tappo dal serbatoio dell'olio (12) e rabboccare con l'olio per catene suggerito. Il livello dell'olio può essere controllato tramite l'indicatore di livello (13). Rimettere il tappo del serbatoio dell'olio (12).
- ◆ Spegnerne periodicamente e controllare l'olio mediante il rispettivo indicatore (13): se il livello scende al di sotto di un quarto del pieno, scollegare la motosega dall'alimentazione di rete e rabboccare con l'olio corretto. Questa motosega è provvista di un sistema di lubrificazione automatico che mantiene la catena e la barra di guida costantemente lubrificate.

Si suggerisce di usare esclusivamente olio BLACK+DECKER per l'intera durata di servizio della motosega, in quanto miscele di oli diversi possono compromettere la qualità del lubrificante, ridurre notevolmente la durata della catena e creare altri rischi. Non usare mai olio di scarto, olio pesante od olio troppo leggero tipo quello per macchine da cucire, dato che questi oli potrebbero danneggiare la motosega. Usare solo olio di tipo corretto (n. cat. A6023-QZ).

- ◆ L'olio affluisce automaticamente alla catena durante l'uso della motosega.

Attivazione del freno della catena (fig. A)

- ◆ Verificare che l'utensile sia staccato dall'alimentazione principale.
- ◆ Tirare di nuovo il gruppo protezione anteriore/freno della catena (3) nella posizione "attivata" (fig. A).
- ◆ Ora l'utensile è pronto per essere adoperato.

Accensione

Nota: non è possibile accendere l'utensile se il gruppo protezione anteriore/freno catena non è in posizione "attivata".

- ◆ Afferrare la motosega saldamente con entrambe le mani. Per accenderla, premere il pulsante di sbloccaggio (2) e quindi l'interruttore di accensione (1).
- ◆ Quando il motore parte, alzare il pollice dal pulsante di bloccaggio (2) e afferrare saldamente l'impugnatura. Non forzare l'elettrotensile, lasciare che svolga il lavoro da sé. Il prodotto esegue un lavoro migliore e più sicuro alla velocità per cui è stato progettato. Una forza eccessiva sollecita troppo la catena della motosega (5).

Funzionamento del freno della catena di protezione dai contraccolpi

In caso di contraccolpi, la mano sinistra viene a contatto con la protezione anteriore e la spinge in avanti, verso il pezzo su cui si sta lavorando e arresta l'elettrotensile in poche frazioni di secondo.

Prova del freno della catena di protezione dai contraccolpi (fig. A)

- ◆ Prima dell'impiego, controllare sempre che il freno di protezione dai contraccolpi funzioni correttamente.
- ◆ Afferrare saldamente l'elettrotensile con entrambe le mani su una superficie solida, verificando che la catena della sega (5) non tocchi a terra e accenderlo (vedere "Come accendere la motosega").
- ◆ Girare la mano sinistra in avanti, attorno all'impugnatura anteriore, in modo che il dorso della mano venga a contatto del gruppo protezione anteriore/freno catena (3) e lo spinga in avanti, verso il pezzo da tagliare (fig. A). A questo punto la catena della motosega (5) deve bloccarsi in poche frazioni di secondo. Per ripristinare l'elettrotensile dopo l'attivazione del gruppo protezione anteriore/freno catena (3), seguire le istruzioni riportate al paragrafo "Attivazione del freno della catena".

Nota: evitare di riaccendere l'utensile fino a che il motore non si è fermato del tutto.

Nota: Se il freno della catena non funziona correttamente, portare l'elettrotensile presso un centro assistenza BLACK+DECKER autorizzato.

Se la catena della motosega (5) o la barra di guida (4) si inceppano:

- ◆ Spegnerne l'elettrotensile.
- ◆ Scollegare l'elettrotensile dall'alimentazione elettrica.
- ◆ Aprire il taglio usando dei cunei, per allentare la tensione sulla barra di guida (4). Non tentare di liberare la motosega facendo uso di una chiave.
- ◆ Iniziare un taglio nuovo.

Abbattimento (fig. I - K)

Gli operatori poco esperti non devono tentare di abbattere alberi. Potrebbero ferirsi o causare danni alle cose se non riescono a controllare la direzione di abbattimento; l'albero potrebbe scheggiarsi o dei rami danneggiati/morti potrebbero cadere durante il taglio. La distanza di sicurezza da mantenere fra un albero da abbattere e gli astanti, gli edifici o altri oggetti è di almeno 2 volte e mezza l'altezza dell'albero. Eventuali astanti, edifici o oggetti presenti entro questa distanza sono esposti al rischio di essere colpiti dall'albero abbattuto.

Prima di tentare di abbattere un albero

- ◆ Assicurarsi che le leggi e i regolamenti locali non proibiscano o disciplinino l'abbattimento degli alberi.
- ◆ Tenere conto di tutto ciò che può influire sulla direzione di caduta, tra cui:
 - ◆ La direzione di caduta desiderata
 - ◆ L'inclinazione naturale dell'albero
 - ◆ Ramificazioni insolitamente pesanti e la possibilità che siano secche o marce
 - ◆ Gli alberi e gli ostacoli circostanti, comprese le linee elettriche aeree e le fogne sotterranee
 - ◆ La velocità e direzione del vento. Accertarsi che esista una via di fuga per sfuggire ai rami o all'albero in caduta.

Verificare che il percorso per allontanarsi sia privo di ostacoli che potrebbero intralciare i movimenti. Ricordare che l'erba umida e la corteccia appena tagliata sono scivolose.

- ◆ Non tentare di abbattere alberi il cui diametro sia superiore alla lunghezza di taglio della motosega.
- ◆ Praticare un'incisione nel tronco per determinare la direzione di caduta.
- ◆ Praticare un taglio orizzontale a una profondità che va da un quinto a un terzo del diametro dell'albero, perpendicolarmente alla linea di caduta alla base dell'albero (fig. I).
- ◆ Praticare un secondo taglio dall'alto in modo che si intersechi con il primo e consenta di ottenere un'incisione di 45° circa.
- ◆ Praticare un unico taglio orizzontale di abbattimento dall'altro lato a 25 – 50 mm al di sopra del centro dell'incisione di direzione (fig. J). Non tagliare completamente fino all'incisione di direzione dato che si perderebbe il controllo della direzione di caduta.
- ◆ Inserire uno o più cunei nel taglio per allargarlo e abbattere l'albero (fig. K).

Potatura degli alberi

Assicurarsi che le leggi e i regolamenti locali non proibiscano o disciplinino la potatura di rami. La potatura deve essere praticata solo da operatori esperti dato che vi è un maggior rischio di inceppamento della catena della sega e di contraccolpi.

Prima di eseguire la potatura, prendere in considerazione le condizioni prevalenti che potrebbero influire sulla direzione di caduta, tra cui:

- ◆ lunghezza e peso del ramo da tagliare
- ◆ ramificazioni insolitamente pesanti e la possibilità che siano secche o marce
- ◆ gli alberi e gli ostacoli circostanti, comprese le linee elettriche aeree
- ◆ la velocità e direzione del vento
- ◆ il fatto che il ramo sia intrecciato con altri rami L'operatore deve inoltre considerare come raggiungere il ramo e l'eventuale direzione di caduta. È probabile che il ramo oscilli verso il tronco. Sono infatti a rischio non solo l'operatore e gli astanti, ma anche oggetti e cose.
- ◆ Per evitare la scheggiatura, eseguire il primo taglio verso l'alto a una profondità massima pari a un terzo del diametro del ramo.
- ◆ Praticare il secondo taglio verso il basso in modo da intersecare il primo.

Taglio di ceppi (figg. L - O)

La procedura di taglio dipende dal sostegno che regge il ceppo. Quando possibile, fare uso di un cavalletto. Iniziare sempre il taglio con la motosega accesa e la barra paraurti dentata (20) a contatto del legno (fig. L). Per completare il taglio ricorrere all'azione rotante della barra paraurti dentata contro il legno.

Ceppi sostenuti per l'intera lunghezza

- ◆ Praticare un taglio verso il basso, evitando di toccare il suolo per non smussare la lama della motosega.

Ceppi sostenuti alle estremità:

- ◆ Tagliare, in primo luogo, un terzo del diametro verso il basso per evitare scheggiature, e poi tagliare fino a raggiungere il primo intaglio.

Ceppi sostenuti a un'estremità:

- ◆ In primo luogo tagliare un terzo di diametro in alto e poi tagliare in basso per evitare scheggiature.

Su un pendio:

- ◆ Restare sempre sul lato alto del pendio.

Quando si tenta di tagliare un ceppo che si trova a terra (fig. M):

- ◆ Fissarlo per mezzo di cunei o zeppe. L'operatore o gli astanti non devono tenere fermo il ceppo sedendosi o standoci sopra in piedi. Accertarsi che la motosega non venga a contatto con il terreno.

Uso di un cavalletto (fig. N):

Si consiglia vivamente di adoperare un cavalletto quando possibile.

- ◆ Collocare il ceppo in posizione stabile. Tagliare sempre all'esterno dei bracci del cavalletto. Usare morse o fasce per fissare il pezzo da tagliare.

Taglio di rami (fig. O)

Per rimuovere i rami di un albero abbattuto, lasciare i rami inferiori più grossi a sostenere il tronco in modo che sia sollevato da terra e rimuovere i rami più piccoli con un solo taglio. I rami sotto tensione devono essere tagliati dalla base verso la cima per evitare che la motosega s'inceppi. Potare i rami dal lato opposto del tronco, in modo che questo si frapponga tra la motosega e il corpo dell'operatore. Non tagliare mai tenendo la motosega tra le gambe o a cavalcioni sul ramo da tagliare.

Ricerca guasti

Problema	Possibile causa	Eventuale soluzione
L'elettrotensile non si accende	Pulsante di bloccaggio non premuto	Premere il pulsante di bloccaggio
	Protezione anteriore nella posizione di frenatura	Ripristinare la protezione anteriore
	Fusibile bruciato	Sostituire il fusibile
	Dispositivo RCD scattato	Controllare il dispositivo RCD
	Cavo di alimentazione non collegato	Controllare l'alimentazione di rete
La catena non si arresta entro 2 secondi dallo spegnimento	La catena è troppo allentata.	Controllare la tensione della catena
La barra/catena sembrano essere calde/fumanti	Svuotare il serbatoio dell'olio	Controllare il livello del serbatoio dell'olio
	Foro di lubrificazione intasato sulla barra della catena	Pulire i fori dell'olio (21 - fig. E) e la scanalatura attorno al bordo della barra della catena
	La catena è troppo tesa	Controllare la tensione della catena
	La punta dell'ingranaggio della barra di guida deve essere ingrassata	Oliare la punta dell'ingranaggio della barra di guida

Problema	Possibile causa	Eventuale soluzione
La catena della motosega non taglia bene	La catena è stata montata all'incontrario	Controllare/modificare la direzione della catena
		Affilare
La motosega non usa olio	Impurità nel serbatoio	Svuotare l'olio dal serbatoio e sostituirlo
	Foro di lubrificazione nel tappo intasato	Eliminare le impurità dal foro
	Impurità sulla barra della catena	Eliminare le impurità e pulire la barra della catena
	Impurità nello scarico dell'olio	Eliminare le impurità

Manutenzione

La manutenzione regolare garantisce la durata dell'utensile e le sue prestazioni. Si suggerisce di eseguire regolarmente i controlli seguenti.

Attenzione! Prima di eseguire interventi di manutenzione su elettrotensili con o senza filo, procedere come descritto di seguito.

- ◆ Spegner e scollegare l'elettrotensile dall'alimentazione elettrica.

Livello dell'olio

Il livello dell'olio nel serbatoio non deve scendere di oltre un quarto del livello massimo.

Catena motosega e barra di guida (fig. F)

- ◆ Dopo alcune ore d'uso e prima di riporre l'elettrotensile, smontare la barra di guida (4) e la catena (5) della motosega e pulirle a fondo.
- ◆ Accertarsi che la protezione sia pulita e priva di frammenti.
- ◆ In fase di riassetto, ruotare la barra di guida (4) di 180°, staccare la rotella di tensionamento della catena con un cacciavite e ricollegare il lato opposto della barra di guida.

Attenzione! Non serrare eccessivamente.

- ◆ Lubrificare la punta dell'ingranaggio attraverso l'apposito foro di lubrificazione (19) affinché il lubrificante sia distribuito equamente sulle rotaie della barra di guida.

Affilatura della catena

Per ottenere prestazioni ottimali, è importante mantenere affilati i denti della catena della motosega. Le istruzioni su come eseguire questa procedura sono riportate sulla confezione dell'affilatoio. A questo scopo si suggerisce di acquistare un kit di affilatura catene BLACK+DECKER (disponibile presso i rivenditori selezionati e i centri di assistenza autorizzati BLACK+DECKER).

Sostituzione delle catene del potatore consumate

Le catene di ricambio della motosega sono disponibili presso i dettaglianti o i centri di assistenza BLACK+DECKER. Utilizzare esclusivamente pezzi di ricambio originali.

Filo della catena

I taglienti della catena della motosega perdono immediatamente il filo se toccano il terreno o un chiodo durante il taglio.

Tensione della catena del potatore

Controllare regolarmente la tensione della catena del potatore.

Riparazione della motosega.

La motosega è stata fabbricata conformemente ai requisiti di sicurezza in vigore. Le riparazioni devono essere affidate esclusivamente a personale qualificato ed eseguite solo con pezzi di ricambio originali, per evitare di esporre gli operatori a considerevoli rischi. Consigliamo di conservare il presente manuale d'uso in un luogo sicuro.

Sostituzione della spina (solo Regno Unito e Irlanda)

Se è necessario montare una nuova spina:

- ◆ smaltire in tutta sicurezza quella vecchia.
- ◆ Collegare il filo marrone al morsetto sotto tensione della nuova spina.
- ◆ Collegare il filo blu al morsetto neutro.

Attenzione! Non effettuare nessun collegamento sul morsetto di terra. Seguire le istruzioni fornite con le spine di buona qualità. Fusibile consigliato: 13 A.

Protezione dell'ambiente



Raccolta differenziata. Questo prodotto non deve essere smaltito con i normali rifiuti domestici.

Nel caso in cui l'elettrotensile BLACK+DECKER debba essere sostituito o non sia più necessario, non smaltirlo con i normali rifiuti domestici. Metterlo da parte per la raccolta differenziata.



La raccolta differenziata dei prodotti e degli imballaggi utilizzati consente il riciclaggio dei materiali e il loro continuo utilizzo. Il riutilizzo dei materiali riciclati favorisce la protezione dell'ambiente prevenendo l'inquinamento e riduce il fabbisogno di materie prime.

Seguire le disposizioni locali per la raccolta differenziata dei prodotti elettrici, che possono prevedere punti di raccolta o la consegna dell'elettrotensile al rivenditore presso il quale viene acquistato un nuovo prodotto.

BLACK+DECKER offre ai propri clienti la possibilità di riciclare i prodotti BLACK+DECKER che hanno esaurito la loro vita di servizio. Per usufruire di tale servizio, è sufficiente restituire il prodotto a qualsiasi tecnico autorizzato, incaricato della raccolta per conto dell'azienda.

Per individuare il tecnico autorizzato più vicino, rivolgersi alla sede BLACK+DECKER locale, presso il recapito indicato nel presente manuale. Altrimenti, un elenco completo di tutti i tecnici autorizzati BLACK+DECKER e i dettagli completi sui contatti e i servizi post-vendita sono disponibili su Internet all'indirizzo: www.2helpU.com

Dati tecnici

		CS2040 (Tipo 1)	CS2245 (Tipo 1)
Tensione	V_{ac}	230V	230V
Potenza assorbita	W	2000W	2200W
Lunghezza barra	mm	400	450
Velocità della catena (senza carico)	m/s	12.5m/s	12.5m/s
Lunghezza massima di taglio (cm)	mm	397	436
Capacità serbatoio olio	ml	200ml	150ml
Peso	kg	5.5	5.66
Classe di sicurezza		II	II

Livello di pressione sonora misurato in base a EN 60745:

Pressione sonora (L_{pA}) 85.7/95 dB(A), incertezza (K) 3/2.5 dB(A)

L_{WA} (pressione acustica) 102.1/106dB(A), incertezza (K) 3/2.5dB(A)

Dichiarazione di conformità CE**DIRETTIVA SUI MACCHINARI DIRETTIVA
SULLA RUMOROSITÀ ESTERNA**

CS2040/CS2245

Black & Decker dichiara che i prodotti descritti al paragrafo
"Dati tecnici" sono conformi a:

2006/42/CE, EN 60745-1, EN 60745-2-13

2006/42/CE, catena motosega, Allegato IV

TÜV Rheinland LGA Products GmbH;

Tillystraße 2 D - 90431 N^ornberg, Germany;

ID ente notificato n.: 0197

Livello di potenza acustica misurato in base a 2000/14/CE
(Articolo 13, Allegato III):

 L_{WA} (pressione sonora misurata) 102.1/1106

dB(A) Incertezza (K)3/2.5 dB(A)

 L_{WA} (pressione sonora garantita) 109/110dB(A)

Questi prodotti sono conformi alle Direttive 2014/30/UE e
2011/65/UE. Per ulteriori informazioni contattare
Black & Decker al seguente indirizzo oppure consultare
l'ultima di copertina del manuale.

Il sottoscritto è responsabile della redazione di questo docu-
mento tecnico e rilascia questa dichiarazione per conto di
Black & Decker.

R. Laverick
Engineering Manager
Black & Decker Europe, 210 Bath Road, Slough,
Berkshire, SL1 3YD
Regno Unito
10/09/2014

Garanzia

Certa della qualità dei suoi prodotti, Black & Decker offre una garanzia eccezionale. Il presente certificato di garanzia è complementare ai diritti legali e non li pregiudica in alcun modo. La garanzia è valida entro il territorio degli Stati membri dell'Unione Europea e dell'EFTA (European Free Trade Area).

Se un prodotto Black & Decker risulta difettoso per qualità del materiale, della costruzione o per mancata conformità entro 24 mesi dalla data di acquisto, Black & Decker garantisce la sostituzione delle parti difettose, provvede alla riparazione dei prodotti se ragionevolmente usurati oppure alla loro sostituzione, in modo da ridurre al minimo il disagio del cliente a meno che:

- ◆ il prodotto non sia stato destinato a usi commerciali, professionali o al noleggio;
- ◆ il prodotto non sia stato usato in modo improprio o scorretto;
- ◆ il prodotto non abbia subito danni causati da oggetti o sostanze estranee oppure incidenti;
- ◆ il prodotto non abbia subito tentativi di riparazione non effettuati da tecnici autorizzati né dall'assistenza Black & Decker.

Per attivare la garanzia è necessario esibire la prova di acquisto al venditore o al tecnico autorizzato. Per individuare il tecnico autorizzato più vicino, rivolgersi alla sede Black & Decker locale, presso il recapito indicato nel presente manuale. Altrimenti, un elenco completo di tutti i tecnici autorizzati Black & Decker e i dettagli completi sui contatti e i servizi post-vendita sono disponibili su Internet all'indirizzo: www.2helpU.com

I clienti che desiderano registrare il nuovo prodotto BLACK+DECKER e ricevere gli aggiornamenti sui nuovi prodotti e le offerte speciali, sono invitati a visitare il sito Web (www.blackanddecker.it). Ulteriori informazioni sul marchio e la gamma di prodotti BLACK+DECKER sono disponibili all'indirizzo www.blackanddecker.it.

Beoogd gebruik

Uw BLACK+DECKER™-kettingzaag is ontwikkeld voor het snoeien en vellen van bomen en het zagen van blokken. Dit gereedschap is uitsluitend bestemd voor consumentengebruik.

Veiligheidsinstructies

Algemene veiligheidswaarschuwingen voor elektrisch gereedschap



Waarschuwing! Lees alle veiligheidswaarschuwingen en alle instructies. Wanneer de volgende waarschuwingen en voorschriften niet in acht worden genomen, kan dit een elektrische schok, brand of ernstig letsel tot gevolg hebben.

Bewaar alle waarschuwingen en instructies als referentiemateriaal.

Het hierna gebruikte begrip 'elektrisch gereedschap' heeft betrekking op elektrische gereedschappen voor gebruik op de netspanning (met netsnoer) of op een accu (snoerloos).

1. Veilige werkomgeving

- a. **Houd uw werkomgeving schoon en goed verlicht.** Een rommelige of onverlichte werkruimte kan tot ongevallen leiden.
- b. **Gebruik elektrisch gereedschap niet in een omgeving met explosiegevaar, zoals in de nabijheid van brandbare vloeistoffen, gassen of stof.** Elektrisch gereedschap veroorzaakt vonken die het stof of de dampen tot ontsteking kunnen brengen.
- c. **Houd kinderen en andere personen tijdens het gebruik van elektrisch gereedschap uit de buurt.** Wanneer u wordt afgeleid, kunt u de controle over het apparaat verliezen.

2. Elektrische veiligheid

- a. **De netstekker van het gereedschap moet in het stopcontact passen. De stekker mag in geen geval worden omgebouwd. Gebruik geen adapterstekkers in combinatie met gearde gereedschappen.** Niet-omgebouwde stekkers en passende stopcontacten beperken het risico van een elektrische schok.
- b. **Vermijd aanraking van het lichaam met gearde oppervlakken, bijvoorbeeld buizen, verwarmingen, fornuizen en koelkasten.** Er bestaat een verhoogd risico op een elektrische schok wanneer uw lichaam geard is.
- c. **Houd het gereedschap uit de buurt van regen en vocht.** Het binnendringen van water in het elektrische gereedschap vergroot het risico van een elektrische schok.

- d. **Gebruik het snoer niet voor een verkeerd doel. Gebruik het snoer niet om het gereedschap te dragen of op te hangen of om de stekker uit het stopcontact te trekken. Houd het snoer uit de buurt van hitte, olie, scherpe randen of bewegende delen.** Beschadigde of in de war geraakte snoeren vergroten het risico van een elektrische schok.
- e. **Wanneer u buitenshuis met elektrisch gereedschap werkt, dient u alleen verlengsnoeren te gebruiken die zijn goedgekeurd voor gebruik buitenshuis.** Het gebruik van een verlengsnoer dat geschikt is voor gebruik buitenshuis, beperkt het risico van een elektrische schok.
- f. **Als u een elektrisch gereedschap moet gebruiken in een vochtige locatie, moet u een reststroomschakelaar (RCD) gebruiken.** Met een aardlekschakelaar wordt het risico van een elektrische schok verkleind.

3. Persoonlijke veiligheid

- a. **Wees alert, let goed op wat u doet en ga met verstand te werk bij het gebruik van elektrische gereedschappen. Gebruik elektrisch gereedschap niet wanneer u moe bent of onder invloed van drugs, alcohol of medicijnen.** Een moment van onoplettendheid bij het gebruik van het gereedschap kan leiden tot ernstige verwondingen.
- b. **Draag een persoonlijke beschermende uitrusting. Draag altijd een veiligheidsbril.** Het dragen van een persoonlijke beschermende uitrusting zoals een stofmasker, slipvaste werkschoenen, een veiligheidshelm of gehoorbescherming, afhankelijk van de aard en het gebruik van het elektrische gereedschap, vermindert het risico van verwondingen.
- c. **Voorkom per ongeluk inschakelen. Controleer of de schakelaar in de uit-stand staat voordat u het gereedschap aansluit op het stopcontact en/of de accu en voordat u het gereedschap optilt of gaat dragen.** Wanneer u bij het dragen van het gereedschap uw vinger op de schakelaar houdt of wanneer u het gereedschap per ongeluk inschakelt, kan dat leiden tot ongevallen.
- d. **Verwijder instelgereedschappen of schroefsleutels voordat u het gereedschap inschakelt.** Een instelgereedschap of sleutel in een draaiend deel van het gereedschap kan leiden tot verwondingen.
- e. **Reik niet te ver. Zorg er altijd voor dat u stevig staat en in evenwicht blijft.** Daardoor kunt u het gereedschap beter onder controle houden in onverwachte situaties.
- f. **Draag geschikte kleding. Draag geen loshangende kleding of sieraden. Houd haren, kleding en handschoenen uit de buurt van bewegende delen.** Loshangende kleding, sieraden en lange haren kunnen door bewegende delen worden meegenomen.

- g. **Wanneer stofafzuigings- of stofopvangvoorzieningen kunnen worden gemonteerd, dient u zich ervan te verzekeren dat deze zijn aangesloten en juist worden gebruikt.** Het gebruik van stofopvangvoorzieningen beperkt het gevaar door stof.
4. **Gebruik en onderhoud van elektrisch gereedschap**
- a. **Overbelast het gereedschap niet. Gebruik voor uw toepassing het daarvoor bestemde elektrische gereedschap.** Met het geschikte elektrische gereedschap werkt u beter en veiliger binnen het aangegeven capaciteitsbereik.
- b. **Gebruik geen elektrisch gereedschap waarvan de schakelaar defect is.** Elektrisch gereedschap dat niet meer kan worden in- of uitgeschakeld, is gevaarlijk en moet worden gerepareerd.
- c. **Trek de stekker uit het stopcontact en/of verwijder de accu uit het elektrisch gereedschap voordat u het gereedschap instelt, toebehoren wisselt of het gereedschap opbergt.** Met deze voorzorgsmaatregel voorkomt u onbedoeld starten van het gereedschap.
- d. **Bewaar niet-gebruikte elektrische gereedschappen buiten bereik van kinderen. Laat het gereedschap niet gebruiken door personen die er niet vertrouwd mee zijn en deze aanwijzingen niet hebben gelezen.** Elektrische gereedschappen zijn gevaarlijk wanneer deze worden gebruikt door onervaren personen.
- e. **Verzorg het gereedschap zorgvuldig. Controleer of bewegende delen van het gereedschap correct functioneren en niet klemmen, en of er onderdelen zodanig zijn gebroken of beschadigd dat de werking van het gereedschap nadelig wordt beïnvloed. Laat beschadigde delen repareren voordat u het gereedschap gebruikt.** Veel ongevallen worden veroorzaakt door slecht onderhouden elektrisch gereedschap.
- f. **Houd snijdende inzetgereedschappen scherp en schoon.** Zorgvuldig onderhouden snijdende inzetgereedschappen met scherpe snijkanten klemmen minder snel vast en zijn gemakkelijker te geleiden.
- g. **Gebruik elektrische gereedschappen, toebehoren, inzetgereedschappen en dergelijke volgens deze aanwijzingen. Let daarbij op de arbeidsomstandigheden en de uit te voeren werkzaamheden.** Het gebruik van elektrische gereedschappen voor andere dan de bedoelde toepassingen kan leiden tot gevaarlijke situaties.
5. **Service**
- a. **Laat het gereedschap alleen repareren door gekwalificeerd en vakkundig personeel en alleen met originele vervangingsonderdelen.** Daarmee wordt de veiligheid van het gereedschap gewaarborgd.

Aanvullende veiligheidsaanschuivingen voor elektrisch gereedschap



Waarschuwing! Aanvullende veiligheidsaanschuivingen voor kettingzagen

- ◆ **Houd alle lichaamsdelen uit de buurt van de zaagketting terwijl de kettingzaag in bedrijf is. Controleer voordat u de kettingzaag start of de zaagketting vrij kan draaien.** Een moment van onoplettendheid bij het gebruik van kettingzagen kan ertoe leiden dat kledingstukken of lichaamsdelen in de kettingzaag verstrikt raken.
- ◆ **Houd altijd uw rechterhand op de achterste handgreep van de kettingzaag en uw linkerhand op de voorste handgreep.** Houd de kettingzaag nooit anders beet, aangezien hierdoor het gevaar voor lichamelijk letsel toeneemt.
- ◆ **Houd het gereedschap alleen vast bij de geïsoleerde greppoppervlakken, omdat het kettingzaag met verborgen bedrading of het eigen snoer in aanraking kan komen.** Als een draad onder spanning met een de kettingzaag wordt geraakt, komen onbedekte metalen onderdelen van het gereedschap onder spanning te staan en kunt u een elektrische schok krijgen.
- ◆ **Draag een veiligheidsbril en gehoorbeschermers. Ook beschermende uitrusting voor hoofd, handen, benen en voeten wordt aanbevolen.** Adequaate beschermende kleding verkleint eventueel letsel door rondvliegende snippers of ongewild contact met de zaagketting.
- ◆ **Gebruik de kettingzaag niet terwijl u zich in een boom bevindt.** Dit kan lichamelijk letsel tot gevolg hebben.
- ◆ **Zorg er altijd voor dat u stevig staat en gebruik de kettingzaag alleen wanneer u op een stabiel, veilig en horizontaal vlak staat.** Bij gladde of instabiele vlakken (zoals ladders) kunt u uw evenwicht of de controle over de kettingzaag verliezen.
- ◆ **Wees er bedacht op dat takken die onder spanning staan, kunnen terugveren wanneer u deze doorzaagt.** Zodra de spanning in de houtvezels vrijkomt, kunt u door de tak worden geraakt en/of de controle over de kettingzaag verliezen.
- ◆ **Ga zeer voorzichtig te werk bij het zagen van struikgewas of jong hout.** Het dunne materiaal kan in de zaagketting vast komen te zitten en naar u toe zwiepen of uit balans trekken.
- ◆ **Draag de kettingzaag aan de voorste handgreep, in uitgeschakelde toestand en van uw lichaam af gericht. Plaats altijd de kap over het zwaard als u de kettingzaag vervoert of bewaart.** Een correct gebruik van de kettingzaag verkleint de kans op een ongewild contact met de bewegende zaagketting.

- ◆ **Volg de instructies voor het smeren en spannen van de ketting, en het vervangen van accessoires nauwgezet op.** Een onjuist gespannen of gesmeerde ketting kan breken en vergroot de kans op terugslag.
- ◆ **Houd de handvatten droog, schoon en vrij van olie en vet.** Vette handgrepen zijn glad waardoor u de controle over het gereedschap kunt verliezen.
- ◆ **Zaag uitsluitend hout. Gebruik de kettingzaag niet voor doeleinden waarvoor deze niet bestemd is. Bijvoorbeeld: Gebruik de kettingzaag niet voor het zagen van kunststof, metselwerk of bouwmaterialen die niet van hout zijn.** Gebruik voor andere doeleinden dan waarvoor de kettingzaag bestemd is, kan leiden tot gevaarlijke situaties.

- ◆ Een botte of losse ketting kan terugslag veroorzaken.
- ◆ Steek de zaag niet in een vorige zaagsnede. Dit kan een terugslag veroorzaken. Maak elke keer een nieuwe zaagsnede.

Veiligheidsaanbevelingen voor de kettingzaag

- ◆ Onervaren gebruikers wordt sterk aangeraden een ervaren gebruiker om praktische instructies over het gebruik van de kettingzaag en veiligheidsuitrusting te vragen. De eerste ervaringen kunnen het beste worden opgedaan met het zagen van stammen op een zaagbok of montageframe.
- ◆ Onderhoud uw kettingzaag als u deze niet gebruikt. Berg de kettingzaag niet op zonder dat u eerst de ketting en het zwaard uit de zaag hebt verwijderd en ondergedompeld in olie hebt bewaard. Bewaar alle onderdelen van uw kettingzaag op een droge, veilige plaats, buiten bereik van kinderen.
- ◆ Laat het oliereservoir leeglopen voordat u de kettingzaag opbergt.
- ◆ Zorg dat u stevig staat en zoek van tevoren naar een veilige uitweg voor vallende bomen of takken.
- ◆ Maak gebruik van wiggen om controle te houden over het kapproces en om te voorkomen dat de ketting en het zwaard in de zaagsnede vast komen te zitten.
- ◆ Onderhoud de zaagketting. Houd de zaagketting scherp en zorg dat deze stevig tegen het zwaard ligt. Zorg dat de zaagketting en het zwaard schoon en goed geluid zijn. Houd de handvatten droog, schoon en vrij van olie en vet.

Oorzaken en voorkoming van terugslag

Er kan terugslag optreden wanneer de punt van het zwaard op een voorwerp stoot of het hout terugveert en de zaagketting in de zaagsnede klem komt te zitten. Als de punt een voorwerp raakt, kan het zwaard plotseling omhoog en naar achter slaan in de richting van uw lichaam. Wanneer de zaagketting aan de bovenzijde van het zwaard klem komt te zitten, kan het zwaard snel achterwaarts in de richting van uw lichaam worden geduwd. Door deze beide reacties kunt u de controle over de kettingzaag verliezen en ernstig lichamelijk letsel oplopen. Vertrouw niet uitsluitend op de ingebouwde veiligheidsvoorzieningen van de kettingzaag. Als gebruiker van de kettingzaag kunt u ook zelf het nodige doen om ongevallen of letsel tijdens de zaagwerkzaamheden te voorkomen. Terugslag is het gevolg van het verkeerde gebruik of onjuiste gebruiksomstandigheden van het gereedschap. Met geschikte voorzorgsmaatregelen, zoals hieronder zijn beschreven, kan terugslag worden voorkomen.

- ◆ **Zorg voor een stevige grip door uw duimen en vingers om de handgrepen te sluiten. Houd de kettingzaag met beide handen vast en houd uw lichaam en armen zodanig dat u weerstand kunt bieden aan de terugslagkrachten.** Met geschikte voorzorgsmaatregelen kunt u de terugslagkrachten onder controle houden. Laat de kettingzaag niet los.
- ◆ **Reik niet te ver en zaag niet boven schouderhoogte.** Dit voorkomt ongewild contact met de punt en zorgt ervoor dat u de kettingzaag in onverwachte situaties beter onder controle kunt houden.
- ◆ **Gebruik uitsluitend door de fabrikant aanbevolen vervangingsonderdelen.** Onjuiste vervangende zwaarden en kettingen kunnen kettingbreuk en/of terugslag veroorzaken.
- ◆ **Volg voor de zaagketting de slijp- en onderhoudsinstructies van de fabrikant.** Verkleining van de dieptemaat kan tot meer terugslag leiden.
- ◆ Het raken van metaal, cement of andere harde materialen in of in de buurt van het hout kan terugslag veroorzaken.

Zaag niet

- ◆ In geprepareerd hout.
- ◆ In de grond.
- ◆ In gaasafasteringen, spijkers, enz.

Aanvullende veiligheidsinstructies

- ◆ Zorg dat er iemand in de buurt (maar op veilige afstand) is voor het geval er zich een ongeluk voordoet.
- ◆ Zorg dat de kettingzaag niet meer op de netspanning is aangesloten wanneer u de zaagketting om bepaalde redenen moet aanraken.
- ◆ Het geluidsniveau van dit product kan meer dan 85 dB(A) bedragen. Het is daarom raadzaam om adequate maatregelen te nemen om uw gehoor te beschermen.
- ◆ **De kettinggeleider kan heet worden tijdens het zagen. Let hier goed op.**

Veiligheid van anderen

- ◆ Dit apparaat mag niet worden gebruikt door personen (waaronder kinderen) met een lichamelijke, zintuiglijke of geestelijke beperking of die geen ervaring met of kennis van dit apparaat hebben, tenzij ze onder toezicht staan of instructies krijgen wat betreft het gebruik van het apparaat van een persoon die verantwoordelijk is voor hun veiligheid.
- ◆ Houd toezicht op kinderen om ervoor te zorgen dat zij niet met het apparaat gaan spelen.

Overige risico's

Er kunnen zich tijdens het gebruik van het gereedschap ook andere risico's voordoen, die misschien niet in de bijgevoegde veiligheidswaarschuwingen worden vermeld. Deze risico's kunnen zich voordoen als gevolg van onoordeelkundig gebruik, langdurig gebruik, enz. Zelfs als de veiligheidsvoorschriften in acht worden genomen en de veiligheidsvoorzieningen worden geïmplementeerd, kunnen bepaalde risico's niet worden vermeden. Deze omvatten:

- ◆ Verwondingen die worden veroorzaakt door het aanraken van draaiende of bewegende onderdelen.
- ◆ Verwondingen die worden veroorzaakt bij het vervangen van onderdelen, bladen of accessoires.
- ◆ Verwondingen die worden veroorzaakt door langdurig gebruik van het gereedschap. Als u langere periodes met het gereedschap werkt, is het raadzaam om regelmatig een pauze in te lassen.
- ◆ Gehoorbeschadiging.
- ◆ Gezondheidsrisico's als gevolg van het inademen van stof dat door gebruik van het gereedschap wordt veroorzaakt (bijvoorbeeld tijdens het werken met hout, vooral eiken, beuken en MDF.)

Trillingen

De aangegeven waarden voor trillingsemisatie in de technische gegevens en de conformiteitsverklaring zijn gemeten conform een standaardtestmethode die door EN 60745 wordt geboden. Hiermee kan het ene gereedschap met het andere worden vergeleken. De aangegeven waarde voor trillingsemisatie kan ook worden gebruikt bij een voorlopige bepaling van blootstelling.

Waarschuwing! De waarde voor trillingsemisatie tijdens het werkelijke gebruik van het gereedschap kan verschillen van de aangegeven waarde afhankelijk van de manieren waarop het gereedschap wordt gebruikt.

Het trillingsniveau kan hoger worden dan het aangegeven niveau. Wanneer de blootstelling aan trillingen wordt vastgesteld teneinde veiligheidsmaatregelen te bepalen die worden vereist door 2002/44/EG ter bescherming van personen die tijdens hun werk regelmatig elektrische gereedschappen gebruiken, moet bij een schatting van de blootstelling aan trillingen rekening worden gehouden met de werkelijke omstandigheden van het gebruik en de manier waarop het gereedschap wordt gebruikt. Daarbij moet ook rekening worden gehouden met alle stappen in de gebruikscyclus, zoals het moment waarop het gereedschap wordt uitgeschakeld en wanneer het gereedschap stationair loopt alsook de aanlooptijd.

Labels op het gereedschap

Het apparaat is voorzien van de volgende pictogrammen:



Waarschuwing! De gebruiker moet de instructiehandleiding lezen om het risico op letsel te verminderen.



Draag een veiligheidsbril of een stofbril als u deze machine gebruikt.



Draag gehoorbeschermers als u dit gereedschap gebruikt.



Het apparaat mag niet aan regen of hoge vochtigheid worden blootgesteld.



Richtlijn 2000/14/EG gegarandeerd geluidsvermogen.



Verwijder de stekker onmiddellijk van de netspanning als het netsnoer beschadigd of ingesneden is.



Let op: Niet te strak afstellen. Draai het hulpstuk met de hand vast. Alleen handvast afstellen.

Elektrische veiligheid



Dit gereedschap is dubbel geïsoleerd. Een aardaansluiting is daarom niet noodzakelijk. Controleer altijd of uw netspanning overeenkomt met de waarde op het typeplaatje.

- ◆ Als het netsnoer is beschadigd, moet dit worden vervangen door de fabrikant of een BLACK+DECKER-servicecentrum om gevaar te voorkomen.

Een verlengsnoer gebruiken

- ◆ Gebruik altijd een goedgekeurd verlengsnoer dat geschikt is voor het ingangsvermogen van deze machine (zie de technische gegevens). De verlengkabel moet geschikt zijn voor gebruik buitenshuis en dient als zodanig te zijn gemarkeerd. Er kan een HO7RN-F 2 X verlengkabel van 1.5 mm² van maximaal 30 m lang worden gebruikt zonder dat de prestaties van het gereedschap verminderen. Controleer het verlengsnoer vóór gebruik op tekenen van beschadiging, slijtage of veroudering. Vervang het verlengsnoer indien het beschadigd of defect is. Als u een haspel gebruikt, moet u het snoer altijd volledig afrollen.

Spanningsdalingen

- ◆ Onder bepaalde omstandigheden wat betreft de stroomvoeding kan dit product een kortdurende daling in spanning veroorzaken tijdens het opstarten.
- ◆ Andere apparatuur kan hierdoor worden beïnvloed. Elektrische lampen kunnen bijvoorbeeld tijdelijk minder helder zijn.
- ◆ Neem indien nodig contact op met uw stroomvoorzieningsbedrijf om na te gaan of de impedantie van de stroomvoorziening lager is dan 0.172/0.293 ohm. Onder deze voorwaarde treden storingen meestal niet op.

Bescherming tegen elektrische schok

- ◆ Vermijd aanraking met geaarde oppervlakken (bijv. metalen relingen, lantaarnpalen, enz.). Verhoog de elektrische veiligheid eventueel verder met behulp van een hooggevoelige (30 mA/30 mS) reststroomschakelaar (RCD).



Waarschuwing! Ondanks een dergelijke schakelaar of andere stroomonderbreker moeten de veiligheidsinstructies en -procedures uit deze gebruikersaanwijzing overigens nog steeds worden opgevolgd.

Onderdelen

1. Aan-/uitschakelaar
2. Ontgrendelingsknop
3. Beschermkap/kettingrem
4. Zwaard
5. Ketting
6. Kettingbeschermer
7. Vergrendelingsknop kettingafstelling
8. Stelwiel voor kettingspanning
9. Beschermkap
10. Aansluitsnoer
11. Borgpen voor aansluitsnoer
12. Oliedop
13. Oliepeilaanwijzer

Monteren



Waarschuwing! Draag altijd beschermende handschoenen wanneer u aan de kettingzaag werkt.



Waarschuwing! Als u onderhoud gaat uitvoeren aan een onderdeel of aan elektrisch gereedschap, schakelt u het gereedschap uit en neemt u de stekker uit het stopcontact.



Waarschuwing! Verwijder eerst de kabelbinder waarmee de ketting aan de kettinggeleider is bevestigd.

Ketting oliën

Als u een nieuwe ketting (5) voor de eerste keer gebruikt, moet u deze oliën. Week de nieuwe ketting (5) minimaal één uur in kettingolie voordat u deze gebruikt. Gebruik BLACK+DECKER kettingolie. Het is raadzaam om tijdens de levensduur van uw kettingzaag alleen olie van BLACK+DECKER te gebruiken. De reden hiervoor is dat mengsels van verschillende oliën de kwaliteit van de olie kunnen verslechteren. Dit heeft tot gevolg dat de zaagketting veel korter meegaat en er extra veiligheidsrisico's ontstaan. Gebruik nooit afvalolie, dikke olie of zeer dunne naaimacholie. Deze kunnen uw kettingzaag beschadigen.

Het kettingzwaard en de ketting installeren. (fig. A - E)

- ◆ Plaats de kettingzaag op een stabiele ondergrond.
- ◆ Zet de beschermkap/kettingrem (3) in de voorste stand (fig. A).
- ◆ Draai de vergrendelingsknop voor de kettingafstelling (7) linksom om de kettingbeschermer (6) te verwijderen (fig. B).

- ◆ Plaats de ketting (5) over het zwaard (4) en zorg ervoor dat de zaagtanden aan de bovenkant van het zwaard (4) naar voren wijzen (fig. C).
- ◆ Leid de ketting (5) om het zwaard (4) en trek deze aan zodat aan de achterkant van het zwaard (4) een lus naar één zijde ontstaat.
- ◆ Leid de ketting (5) om het aandrijfkettingwiel (14), lijn het gat in de bodem van het zwaard en het middelste gat van de de kettingspanningswiel (16) uit met de moer (15) (fig. D).

Opmerking: draai de kettingspanningswiel zo nodig om het centrale gat uit te lijnen met de moer (15).

Waarschuwing! Zorg ervoor dat de beschermkap/kettingrem (3) zich in de instelstand (voorste stand) bevindt voordat u deze opnieuw aanbrengt (fig. A).

- ◆ Plaats de kettingbeschermer (6) op de kettingzaag.
- ◆ Zorg dat het lipje (17) op de klepbeschermer op de juiste manier in de sleuf (18) op de hoofdbehuizing valt (fig. E).
- ◆ Draai de vergrendelingsknop voor de kettingafstelling (7) naar rechts totdat deze goed vastzit.
- ◆ Controleer de spanning - raadpleeg 'Kettingspanning controleren en afstellen' hieronder.
- ◆ Raadpleeg 'Kettingspanning verhogen' hieronder als de kettingspanning te los is.

Kettingspanning controleren en afstellen (fig. F invoegen)

Voor gebruik, en na iedere 10 minuten gebruik, dient u de kettingspanning te controleren.

- ◆ Koppel het gereedschap los van de netspanning.
- ◆ Trek licht aan de ketting (5) (zie de inzet van fig. F). De spanning is juist als de ketting (5) terugspringt nadat u deze 3 mm van het zwaard (4) af hebt getrokken. De ketting (5) mag niet "doorzakken" aan de onderzijde van het zwaard (4) (fig G).

Kettingspanning verhogen (fig. B)

- ◆ Draai de vergrendelingsknop voor het afstellen van de ketting (7) met een halve draai linksom los.
- ◆ Draai het stelwiel voor de kettingspanning (8) rechtsom totdat u een lichte weerstand voelt.
- ◆ Controleer de spanning - raadpleeg 'Kettingspanning controleren en afstellen'.
- ◆ Als de spanning voldoende is, draait u de vergrendelingsknop (7) opnieuw vast. Als er meer spanning nodig is, draait u aan het afstelwiel (8). Draai de vergrendelingsknop (7) opnieuw vast.

Opmerking: Stel de ketting niet te strak af. Dit leidt tot overmatige slijtage en beperkt de levensduur van het zwaard en de ketting.

Opmerking: Wanneer de ketting nieuw is, moet u de spanning tijdens de eerste twee gebruiksuren regelmatig (na ont koppeling van de netspanning) controleren, aangezien een nieuwe ketting enigszins uitzet.

Gebruik van het apparaat

Waarschuwing! Laat het gereedschap in zijn eigen tempo werken. Overbelast de machine niet.

Oliereservoir vullen (fig. H)

- ◆ Verwijder de oliedop (12) en vul het reservoir met de aanbevolen kettingolie. U kunt het oliepeil controleren met de oliepeilindicator (13). Plaats de oliedop (12) terug.
- ◆ Schakel de zaag regelmatig uit en controleer vervolgens de oliepeilindicator (13). Neem de stekker van de kettingzaag uit het stopcontact en vul het reservoir met de juiste olie bij zodra de indicator op minder dan een kwart staat. De kettingzaag is uitgerust met een automatisch smeersysteem waarmee de kettingzaag en het kettingzwaard continu gesmeerd blijven. Het is raadzaam om tijdens de levensduur van uw kettingzaag alleen olie van BLACK+DECKER te gebruiken. De reden hiervoor is dat mengsels van verschillende oliën de kwaliteit van de olie kunnen verslechteren. Dit heeft tot gevolg dat de zaagketting veel korter meegaat en er extra veiligheidsrisico's ontstaan. Gebruik nooit afvalolie, dikke olie of zeer dunne naaimachineolie. Deze kunnen uw kettingzaag beschadigen. Gebruik alleen olie met de juiste oliekwaliteitsklasse (cat. nr. A6023-QZ).
- ◆ De kettingzaag voorziet de ketting automatisch van olie tijdens het gebruik.

Kettingrem afstellen (fig. A)

- ◆ Zorg dat het gereedschap niet op de netspanning is aangesloten.
- ◆ Trek de beschermkap/kettingrem (3) naar achter in de instelstand (fig. A).
- ◆ Het gereedschap is nu klaar voor gebruik.

Inschakelen **Opmerking:**

U kunt de zaag pas inschakelen als de beschermkap/kettingrem weer in de instelpositie staat.

- ◆ Grijp uw kettingzaag met beide handen stevig vast. Druk de ontgrendelingsknop (2) in en druk vervolgens op de aan/uit-schakelaar (1) om te starten.
- ◆ Neem uw duim van de vergrendelingsknop (2) en grijp de handgreep stevig vast zodra de motor is gestart. Oefen geen druk uit op het gereedschap en laat het werk over aan de zaagketting. Het gereedschap werkt het effectiefst en het veiligst op de snelheid waarvoor het is ontworpen. Bij te veel kracht kan de zaagketting (5) uitrekken.

Werking van de kettingrem tegen terugslag

Bij een terugslag komt uw linkerhand in aanraking met de beschermkap en drukt deze naar voren in de richting van het werkstuk. Het gereedschap stopt binnen een seconde.

Vertragingstakingringrem testen (fig. A)

- ◆ Controleer voor gebruik altijd of de terugslagrem goed werkt.
- ◆ Pak het gereedschap met beide handen stevig vast terwijl u op een stabiele ondergrond staat. Zorg dat de zaagketting (5) vrij van de grond is en schakel de zaag in (zie: "Kettingzaag inschakelen").
- ◆ Draai uw linkerhand naar voren rond de voorste handgreep, zodat de achterzijde van uw hand met de beschermkap/kettingrem (3) in aanraking komt en deze naar voren, in de richting van het werkstuk duwt (fig. A). De zaagketting (5) moet binnen enkele fracties van een seconde stoppen. Als u de beschermkap/kettingrem (3) na activering wilt deactiveren, volgt u de instructies in het gedeelte "Kettingrem afstellen".

Opmerking: Start de zaag pas opnieuw als de motor volledig tot rust is gekomen.

Opmerking: Als de rem niet goed werkt, brengt u het gereedschap naar een erkend servicecentrum van BLACK+DECKER.

Als de zaagketting (5) of het zwaard (4) vast komt te zitten

- ◆ Schakel het gereedschap uit.
- ◆ Koppel het gereedschap los van de netspanning.
- ◆ Open de snede met wiggen om de spanning van het zwaard (4) weg te nemen. Probeer de kettingzaag niet los te wrikken.
- ◆ Ga verder met een nieuwe zaagsnede.

Vellen (fig. I - K)

Onervaren gebruikers kunnen beter niet proberen om bomen te vellen. De gebruiker kan letsel oplopen of schade veroorzaken als de boom in de verkeerde richting valt of versplintert, of als er beschadigde/dode takken tijdens het zagen omlaag vallen. De veilige afstand tussen een te vellen boom en omstanders, gebouwen en andere objecten is ten minste 2 ½ keer de hoogte van de boom. Elke omstander en elk gebouw of voorwerp binnen deze afstand loopt het gevaar om geraakt te worden door de vallende boom.

Voordat u een boom velt:

- ◆ Controleer of er geen wetten of voorschriften zijn die het vellen van de boom verbieden.
- ◆ Houd rekening met alle factoren die de valrichting kunnen beïnvloeden, zoals:
 - ◆ De beoogde valrichting.
 - ◆ De natuurlijke overhelling van de boom.
 - ◆ Een verdikking of rotte plek.

- ◆ Omstaande bomen en obstakels zoals bovengrondse kabels en ondergrondse afvoer.
- ◆ De richting en kracht van de wind.

Plan van tevoren een veilige uitweg, uit de buurt van vallende bomen of takken. Zorg dat de vluchtweg vrij is van obstakels die u kunnen hinderen. Bedenk dat nat gras en vers gezaagde boomschors glad zijn.

- ◆ Vel geen bomen waarvan de stamdiameter groter is dan de zaaglengte van de kettingzaag.
- ◆ Maak een inkeping om de valrichting te bepalen.
- ◆ Maak hiervoor aan de voet van de boom haaks op de vallijn een horizontale snede tot een diepte van 1/5e tot 1/3e van de stamdiameter (fig. I).
- ◆ Maak vervolgens van bovenaf onder een hoek van circa 45° een tweede snede die het einde van de eerste snede kruist en zo de inkeping vormt.
- ◆ Maak hierna vanaf de andere zijde 25 tot 50 millimeter boven het midden van deze inkeping een enkele horizontale snede. (fig. J). Zaag niet helemaal tot aan de inkeping, aangezien u hierdoor de controle over de valrichting kunt verliezen.
- ◆ Sla een of meer wiggen in de zaagsnede om deze te openen en de boom om te laten vallen (fig. K).

Bomen snoeien

Controleer of er geen wetten of voorschriften zijn die het snoeien van de boomtakken verbieden. Snoei alleen als u al wat meer ervaring met de zaag hebt opgedaan. Hierbij bestaat namelijk een grotere kans dat de zaagketting klem komt te zitten en terugslaat.

Houd vóór het snoeien rekening met alle voorwaarden die de valrichting kunnen beïnvloeden, waaronder:

- ◆ De lengte en het gewicht van de te zagen tak.
- ◆ Een verdikking of rotte plek.
- ◆ Andere bomen of obstakels zoals bovengrondse kabels.
- ◆ De richting en kracht van de wind.
- ◆ Vervlechtingen van de tak met andere takken. Houd rekening met de toegankelijkheid van de tak en de valrichting. Takken hebben de neiging om naar de boomstam te zwaaien. Behalve de gebruiker loopt elke omstander, elk object of elk gebouw onder de tak gevaar.
- ◆ Maak ter voorkoming van versplintering de opwaartse eerste snede tot een diepte van maximaal eenderde van de takdiameter.
- ◆ Maak vervolgens een neerwaartse tweede snede tot aan de eerste.

Blokken zagen (fig. L - O)

De manier van zagen is afhankelijk van de ondersteuning van het blok. Maak zo mogelijk gebruik van een zaagbok. Begin een zaagsnede altijd terwijl de zaagketting draait en de gekartelde stootrand (20) het hout raakt (fig. L). Maak met de gekartelde stootrand draaibewegingen tegen het hout.

Bij ondersteuning over de volle lengte:

- ◆ Zaag in neerwaartse richting, maar zorg dat u de grond niet raakt, want hierdoor wordt uw zaag snel bot.

Bij ondersteuning aan beide uiteinden:

- ◆ Zaag eerst tot eenderde omlaag om versplintering te voorkomen en vervolgens tot aan de eerste snede.

Bij ondersteuning aan één uiteinde:

- ◆ Zaag eerst tot eenderde omhoog en vervolgens omlaag om versplintering te voorkomen.

Zagen op een helling:

- ◆ Ga altijd heuvelopwaarts van het werk staan.

Als u het blok op de grond wilt zagen (fig. M):

- ◆ Zet het werkstuk met klampen of wiggen vast. Ga niet op het blok staan of zitten om het blok stabiel te houden. Vraag dit ook niet aan anderen. Zorg ervoor dat de zaagketting de grond niet raakt.

Bij gebruik van een zaagbok (fig. N):

Het wordt sterk aanbevolen om indien mogelijk een zaagbok te gebruiken.

- ◆ Plaats het blok in een stabiele positie. Zaag altijd aan de buitenkant van de armen van de zaagbok. Zet het werkstuk met klemmen of riemen vast.

Takken afzagen (fig. O)

Het verwijderen van takken van een omgevallen boom. Wanneer u takken afzaagt, laat u grotere takken onderaan zitten zodat de boom van de grond wordt gehouden. Verwijder de kleine takken in één zaagbeweging. Takken die onder spanning staan, moeten van onderaf naar boven worden gezaagd om te voorkomen dat de kettingzaag vast komt te zitten. Snoei takken vanaf de overkant en houdt de stam tussen u en de zaag. Maak nooit sneden met de zaag tussen uw benen en klem de af te zagen tak niet tussen uw benen.

Problemen oplossen

Probleem	Mogelijke oorzaak	Mogelijke oplossing
Apparaat start niet	Vergrendelingsknop niet ingedrukt.	Druk de vergrendelingsknop in.
	Beschermkap in de remstand	Plaats de beschermkap in de juiste stand
	Zekering is gesprongen	Vervang de zekering
	De RCD (reststroomschakelaar) is uitgeschakeld	Controleer de RCD
De ketting stopt niet binnen twee seconden nadat het gereedschap is uitgeschakeld	Netsnoer is niet aangesloten	Controleer de netspanningstoevoer
	De ketting is te slap afgesteld	Controleer de kettingspanning
Het zwaard en/of de ketting is zeer heet/er komt rook af	Het oliereservoir is leeg	Controleer het oliepeil
	Oliegaatje in de kettinggeleider is geblokkeerd	Reinig de oliegaatjes (21 - fig. E) en maak de groef om de rand van de kettinggeleider schoon.
	De ketting is te strak gespannen	Controleer de kettingspanning
	De neus van het aandrijfkettingwiel van het zwaard moet worden gesmeerd	Olie de neus van het aandrijfkettingwiel van het zwaard
De kettingzaag zaagt niet goed	De ketting is achterstevoren gemonteerd	Controleer/wijzig de richting van de ketting
		Slijp de zaag
De kettingzaag verbruikt geen olie	Olie in het reservoir is verontreinigd	Tap de olie af en vul het reservoir met schone olie
	Het oliegaatje in de dop is geblokkeerd	Maak het gaatje schoon
	De kettinggeleider is vies	Reinig de kettinggeleider
	Het olieafvoergaatje is verstopt	Verwijder het vuil

Onderhoud

Wanneer u de zaag regelmatig onderhoudt, kunt u deze lang gebruiken. Controleer regelmatig de volgende zaken.

Waarschuwing! Doe altijd het volgende voordat u onderhouds- of reinigingswerkzaamheden aan elektrisch gereedschap uitvoert:

- ◆ Zet het gereedschap uit en haal de stekker uit het stopcontact.

Oliepeil

Het peil in het reservoir mag niet onder een kwart komen.

Zaagketting en zwaard (fig. F)

- ◆ Verwijder telkens na enkele uren gebruik de zaagketting (5) en het zwaard (4), en reinig deze grondig. Doe dit ook als u het gereedschap gaat opbergen.
- ◆ Zorg dat de beschermkap schoon is en dat er geen zaagafval op zit.
- ◆ Wanneer u de onderdelen weer monteert, moet het zwaard (4) 180° worden gedraaid. Gebruik een schroevendraaier om het kettingspanwiel te verwijderen en bevestig deze aan de andere kant van het kettingzwaard (7).

Waarschuwing! Stel deze niet te strak af.

- ◆ De neus van het aandrijfkettingwiel moet via het tandwielsmeergat (19) worden gesmeerd. Dit zorgt voor een gelijkmatige verdeling van de slijtage rondom de zwaardrails.

Zaagketting slijpen

Voor optimale prestaties van het gereedschap moet u de tanden van de zaagketting scherp houden. Richtlijnen voor deze procedure vindt u op de verpakking van de slijper. Wij raden u aan de BLACK+DECKER kettingslijpset aan te schaffen (verkrijgbaar bij servicecentra van BLACK+DECKER en geselecteerde dealers).

Versleten ketting vervangen

Reservekettingen zijn verkrijgbaar in de detailhandel of bij BLACK+DECKER servicecentra. Gebruik alleen reserveonderdelen van Black & Decker.

Scherpte van zaagketting

De zaagtanden worden direct bot als deze tijdens het zagen de grond of een spijker raken.

Spanning van zaagketting

Controleer regelmatig de kettingspanning.

Reparatie van de kettingzaag

Uw kettingzaag voldoet aan de geldende veiligheidseisen. Reparaties mogen uitsluitend worden uitgevoerd door bevoegde vakmensen en met behulp van originele reserveonderdelen. Niet-naleving van deze regel kan aanzienlijk gevaren voor de gebruiker opleveren. Bewaar deze gebruiksaanwijzing op een veilige plaats.

Stekker voedingskabel vervangen alleen in V.K. en Ierland)

Het monteren van een nieuwe stekker:

- ◆ Gooi de oude stekker op verantwoorde wijze weg.
- ◆ Verbind de bruine draad met de spannings-/fasepool in de nieuwe stekker.
- ◆ Verbind de blauwe draad met de nul-/neutraalpool.

Waarschuwing! De aardepool hoeft niet te worden aangesloten. Volg de bevestigingsinstructies die met hoogwaardige stekkers worden meegeleverd. Aanbevolen zekering: 13 A.

Milieu



Aparte inzameling. Dit product mag niet met normaal huishoudelijk afval worden weggegooid.

Mocht u op een dag constateren dat het BLACK+DECKER-product aan vervanging toe is of dat u het apparaat niet meer nodig hebt, gooi het product dan niet bij het restafval. Het product valt onder de categorie voor elektrische apparaten.



Gescheiden inzameling van gebruikte producten en verpakkingsmaterialen maakt het mogelijk materialen te recyclen en opnieuw te gebruiken. Hergebruik van gerecycleerde materialen zorgt voor minder milieuvuiling en dringt de vraag naar grondstoffen terug.

Plaatselijke verordeningen kunnen voorzien in gescheiden inzameling van huishoudelijke elektrische producten via gemeentelijke stortplaatsen of via de leverancier bij wie u een nieuw product aanschaft. BLACK+DECKER biedt een service voor het inzamelen en hergebruiken van BLACK+DECKER-producten als deze aan het einde van hun levensduur zijn gekomen. Om gebruik te maken van deze service, dient u het product naar een van onze servicecentra te sturen, die de inzameling voor ons verzorgen. U kunt de locatie van de dichtstbijzijnde geautoriseerde dealer vinden door contact op te nemen met het BLACK+DECKER-kantoor op het adres dat in deze handleiding is aangegeven. Daarnaast is er een lijst van geautoriseerde BLACK+DECKER-dealers en de complete gegevens van onze after-sales service op internet beschikbaar bij: www.2helpU.com

Technische gegevens

		CS2040 (Type 1)	CS2245 (Type 1)
Spanning	V_{ac}	230V	230V
Opgenomen vermogen	W	2000W	2200W
lengte	mm	400	450
Kettingsnelheid (onbelast)	m/s	12.5 m/s	12.5m/s
Maximale lengte zaagsnede	mm	397	436
Olie-inhoud	ml	200ml	150ml
Gewicht	kg	5.5	5.66
veiligheid klasse		II	II

Geluidsdrukniveau volgens EN 60745:

 L_{pA} (Geluidsdruk) 85.7/95dB(A), meetonzekerheid (K) 3/2.5dB(A)

 L_{WA} (geluidsvermogen) 102.1/106 dB(A), meetonzekerheid (K) 3/2.5dB(A)

Totale trillingswaarden (som triaxvector) volgens EN 60745:

 Waarde trillingsmissie ($a_{h,r}$) 4.5/5.5 m/s^2 , meetonzekerheid (K) 1.5 m/s^2

EG-conformiteitsverklaring

MACHINERICHTLIJN RICHTLIJN

VOOR GELUID BUITENSHUIS



CS2040/CS2245

Black & Decker verklaart dat deze producten, die
zijn beschreven onder "Technische gegevens", voldoen aan:

2006/42/EG, EN 60745-1, EN 60745-2-13 2006/42/EG,
Kettingzaag, bijlage IV

TÜV Rheinland LGA Products GmbH;
Tillystraße 2 D - 90431 Nürnberg, Germany;

instantie ID Nr.: 0197

Akoestisch vermogen, volgens 2000/14/EG
(Artikel 13, bijlage III):

 L_{WA} (gemeten geluidsvermogen) 102.1/106 dB(A)

Meetonzekerheid (K) 3/2.5 dB(A)

 L_{WA} (gegarandeerd geluidsvermogen) 109/110 dB(A)

Deze producten voldoen tevens aan richtlijn 2014/30/EU en
2011/65/EU. Neem voor meer informatie contact op met
Black & Decker op het volgende adres of raadpleeg de
achterzijde van de handleiding. Ondergetekende is
verantwoordelijk voor de compilatie van het technische
bestand en doet deze verklaring namens Black & Decker.

R. Laverick
Engineering Manager
Black & Decker Europe, 210 Bath Road, Slough,
Berkshire, SL1 3YD
Verenigd Koninkrijk
10/09/2014

Garantie

Black & Decker heeft vertrouwen in haar producten en biedt een uitstekende garantie. Deze garantiebepalingen vormen een aanvulling op uw wettelijke rechten en beperken deze niet. De garantie geldt in de lidstaten van de Europese Unie en de Europese Vrijhandelsassociatie. Mocht uw Black & Decker product binnen 24 maanden na de datum van aankoop defect raken ten gevolge van materiaal- of constructiefouten, dan garanderen wij de kosteloze vervanging van defecte onderdelen, de reparatie van het product of de vervanging van het product, tenzij:

- ◆ Het product is gebruikt voor handelsdoeleinden, professionele toepassingen of verhuurdoeleinden.
- ◆ Het product onoordeelkundig is gebruikt.
- ◆ Het product is beschadigd door invloeden van buitenaf of door een ongeval.
- ◆ Reparaties zijn uitgevoerd door anderen dan onze servicecentra of Black & Decker-personeel. Om een beroep te doen op de garantie, dient u een aankoopbewijs te overhandigen aan de verkoper of een van onze servicecentra.

U kunt het adres van het dichtstbijzijnde Black & Decker-servicecentrum opvragen via de adressen op de achterzijde van deze handleiding. U kunt ook een lijst van Black & Decker-servicecentra en meer informatie m.b.t. onze klantenservice vinden op het volgende internetadres: www.2helpU.com

Meld u aan op onze website www.blackanddecker.nl om uw nieuwe BLACK+DECKER-product te registreren en om te worden geïnformeerd over nieuwe producten en speciale aanbiedingen. Verdere informatie over het merk BLACK+DECKER en onze producten vindt u op www.blackanddecker.nl.

Uso específico

La motosierra BLACK+DECKER™ se ha diseñado para podar y talar árboles y cortar troncos. Esta herramienta está pensada únicamente para uso doméstico.

Instrucciones de seguridad

Advertencias de seguridad generales para herramientas eléctricas



¡Atención! Lea todas las advertencias e instrucciones de seguridad. En caso de no atenderse a las siguientes advertencias e instrucciones de seguridad, podría producirse una descarga eléctrica, incendio o lesión grave.

Guarde todas las advertencias e instrucciones para futuras consultas.

El término "herramienta eléctrica" empleado en las advertencias a continuación hace referencia a la herramienta eléctrica con alimentación de red (con cable) o alimentada por batería (sin cable).

1. Seguridad del área de trabajo

- Mantenga limpia y bien iluminada el área de trabajo.** El desorden y una iluminación deficiente pueden provocar accidentes.
- No utilice la herramienta eléctrica en un entorno con peligro de explosión, en el que se encuentren líquidos, gases o material en polvo inflamables.** Las herramientas eléctricas producen chispas que pueden llegar a inflamar el polvo o los vapores.
- Cuando utilice la herramienta eléctrica, mantenga alejados a los niños y a otras personas del área de trabajo.** Una distracción le puede hacer perder el control del aparato.

2. Seguridad eléctrica

- El enchufe de la herramienta eléctrica debe corresponder a la toma de corriente utilizada. No modifique el enchufe. No emplee adaptadores en herramientas eléctricas dotadas con toma de tierra.** Estas pautas le ayudarán a reducir el riesgo de descargas eléctricas.
- Evite tocar partes conectadas a tierra como tuberías, radiadores, cocinas y refrigeradores.** El riesgo a quedar expuesto a una descarga eléctrica es mayor si su cuerpo tiene contacto con tierra.
- No exponga las herramientas eléctricas a la lluvia y evite que penetren líquidos en su interior, ya que existe el peligro de recibir una descarga eléctrica.**

- Cuide el cable de alimentación. No lo utilice para transportar o colgar la herramienta eléctrica, ni tire de él para extraer el enchufe de la toma de corriente. Manténgalo alejado del calor, aceite, bordes afilados o piezas móviles.** Los cables de red dañados o enredados incrementan el riesgo de descarga eléctrica.
- Si trabaja con la herramienta eléctrica en el exterior, utilice solamente cables de prolongación homologados para uso en exteriores.** Esto le ayudará a reducir el riesgo de descarga eléctrica.
- Si la utilización de una herramienta eléctrica en un lugar húmedo es inevitable, utilice una fuente protegida con un dispositivo de corriente residual (RCD).** La utilización de un RCD reduce el riesgo de sufrir descargas eléctricas.

3. Seguridad personal

- Esté atento a lo que hace y utilice la herramienta eléctrica con prudencia. No la use si está cansado, ni si se encuentra bajo los efectos del alcohol, drogas o medicamentos.** El no estar atento durante el uso de una herramienta eléctrica puede provocar serias lesiones.
- Utilice material de protección personal. Utilice siempre gafas de protección.** El riesgo de lesiones se reduce considerablemente si se utiliza material de protección adecuado como una mascarilla antipolvo, zapatos de seguridad con suela antideslizante, casco o protectores auditivos.
- Impida que la herramienta se ponga en marcha accidentalmente. Asegúrese de que el interruptor de encendido/apagado se encuentra en la posición de apagado antes de conectar la herramienta a la fuente de alimentación o a la batería, o de coger o transportar la herramienta.** Transportar la herramienta eléctrica con el dedo sobre el interruptor o enchufarla con el interruptor encendido puede provocar accidentes.
- Retire las herramientas de ajuste o llaves fijas antes de conectar la herramienta eléctrica.** Una herramienta o llave colocada en una pieza giratoria de la herramienta eléctrica puede producir lesiones al ponerse a funcionar.
- Sea precavido. Evite adoptar una posición que fatigue su cuerpo; mantenga un apoyo firme sobre el suelo y conserve el equilibrio en todo momento.** Ello le permitirá controlar mejor la herramienta eléctrica en caso de presentarse una situación inesperada.
- Vístase con la ropa adecuada. No lleve ropa holgada ni joyas. Aleje el pelo, la ropa y los guantes de las piezas móviles.** La vestimenta holgada, las joyas y el pelo largo se pueden enganchar con las piezas en movimiento.

g. **Siempre que sea posible utilizar unos equipos de aspiración o captación de polvo, asegúrese de que éstos estén montados y se utilicen correctamente.** El empleo de estos equipos reduce los riesgos derivados del polvo.

4. **Uso y cuidado de herramientas eléctricas**

a. **No sobrecargue la herramienta eléctrica. Use la herramienta eléctrica adecuada para cada aplicación.** Con la herramienta eléctrica adecuada podrá trabajar mejor y más seguro dentro del margen de potencia indicado.

b. **No utilice herramientas eléctricas con un interruptor defectuoso.** Las herramientas eléctricas que no se puedan conectar o desconectar son peligrosas y deben repararse.

c. **Desconecte de la herramienta eléctrica el enchufe de la fuente de alimentación y de la batería antes de realizar cualquier ajuste, cambiar accesorios o guardar la herramienta.** Esta medida preventiva reduce el riesgo de encender accidentalmente la herramienta eléctrica.

d. **Guarde las herramientas eléctricas fuera del alcance de los niños y de las personas que no estén familiarizadas con su uso.** Las herramientas eléctricas utilizadas por personas inexpertas son peligrosas.

e. **Cuide sus herramientas eléctricas con esmero. Controle si funcionan correctamente, sin atascarse, las partes móviles de la herramienta eléctrica, y si existen partes rotas o deterioradas que pudieran afectar al funcionamiento de la herramienta. Si la herramienta eléctrica estuviese defectuosa, haga que la reparen antes de volver a utilizarla.** Muchos de los accidentes se deben a herramientas eléctricas con un mantenimiento deficiente.

f. **Mantenga las herramientas de corte limpias y afiladas.** Las herramientas de corte mantenidas correctamente se dejan guiar y controlar mejor.

g. **Utilice la herramienta eléctrica, los accesorios, los útiles de la herramienta, etc. de acuerdo con estas instrucciones, y tenga en cuenta las condiciones de trabajo y la tarea que se va a realizar.** El uso de herramientas eléctricas para trabajos diferentes de aquellos para los que han sido concebidas puede resultar peligroso.

5. **Servicio técnico**

a. **Esta herramienta eléctrica sólo la puede reparar personal técnico autorizado que emplee exclusivamente piezas de repuesto originales.** Solamente así se garantiza la seguridad de la herramienta eléctrica.

Advertencias de seguridad adicionales para herramientas eléctricas



¡Atención! Advertencias de seguridad adicionales para las motosierras.

- ◆ **Mantenga todas las partes del cuerpo alejados de la cadena de sierra mientras la motosierra esté funcionando. Antes de encender la motosierra, asegúrese de que la cadena de sierra no está en contacto con ningún objeto.** El no estar atento durante la utilización de la motosierra puede provocar que la ropa o partes del cuerpo se enreden con esta.
- ◆ **Sujete siempre la motosierra con la mano derecha en el mango trasero y la mano izquierda en el delantero.** Nunca sujete la motosierra con la posición contraria de las manos, puesto que aumenta el riesgo de que se produzcan lesiones personales.
- ◆ **Sujete la herramienta eléctrica únicamente por la superficie de agarre aislada, ya que la cadena de sierra podría entrar en contacto con cableado oculto o con su propio cable.** Si alguna cadena de sierra entra en contacto con un cable conectado a la red eléctrica, podría provocar que las piezas metálicas expuestas de la herramienta eléctrica transmitieran esa electricidad y produjeran una descarga eléctrica al usuario.
- ◆ **Lleve siempre gafas protectoras y protectores para los oídos. Se recomienda el uso de un equipo de protección para cabeza, manos, piernas y pies.** El uso de ropa de protección adecuada reducirá los daños a personas causados por residuos volantes o contacto accidental con la cadena de sierra.
- ◆ **No utilice la motosierra en un árbol.** El uso de la motosierra mientras está subido en un árbol puede provocar lesiones personales.
- ◆ **Mantenga siempre un apoyo firme en el suelo y utilice la motosierra solo cuando se encuentre sobre una superficie fija, segura y regular.** Las superficies resbaladizas o inestables como, por ejemplo, las escaleras, pueden provocar la pérdida del equilibrio o el control de la motosierra.
- ◆ **Cuando corte una rama sometida a tensión, tenga cuidado con la fuerza de retroceso.** Cuando se libera la tensión de las fibras de madera, la rama podría golpear al operario y/o arrojar la herramienta fuera de su alcance.
- ◆ **Tenga sumo cuidado cuando corte matorrales o árboles jóvenes.** El material más ligero puede atrapar la cadena de sierra y golpearle con un latigazo o desequilibrarle.

- ◆ **Transporte la motosierra sostenida por el mango frontal, apagada y alejada del cuerpo. Al transportar o guardar la motosierra encaje la cubierta de la barra guía.** Una manipulación adecuada de la motosierra reducirá las posibilidades de que se produzca un contacto accidental con la cadena de sierra en movimiento.
- ◆ **Siga las instrucciones para lubricar, tensar la cadena y cambiar los accesorios.** Una cadena incorrectamente tensada o lubricada puede romperse o aumentar el riesgo de que se produzca un retroceso de la sierra
- ◆ **Mantenga los mangos secos, limpios y libres de aceite y grasa.** Los mangos con aceite o grasa son resbaladizos y pueden provocar la pérdida de control.
- ◆ **Corte únicamente madera. No utilice la motosierra para objetivos diferentes a los previstos. Por ejemplo: no la utilice para cortar plástico, mampostería o materiales de construcción que no sean de madera.** El uso de la motosierra para trabajos diferentes de aquellos para los que han sido concebidas puede resultar peligroso.
- ◆ **Utilice únicamente barras guía y cadenas de repuesto especificadas por el fabricante.** Las cadenas y las barras guía de repuesto colocadas de forma incorrecta pueden provocar la ruptura y/o el retroceso de la cadena.
- ◆ **Siga las instrucciones del fabricante acerca del afilado y mantenimiento de la cadena de sierra.** La disminución de la altura del profundímetro puede resultar en el aumento de retrocesos.
- ◆ Golpear metales, cemento u otros materiales duros que estén cerca de la madera o enterrados en la misma puede producir un retroceso.
- ◆ Una cadena floja o suelta puede producir un retroceso.
- ◆ No inserte la sierra en un corte anterior. Podría provocar un retroceso. Realice un nuevo corte cada vez.

Recomendaciones de seguridad para la motosierra

- ◆ Recomendamos encarecidamente que los usuarios principiantes obtengan de otro usuario con más experiencia instrucciones prácticas del uso de la motosierra y del equipo de protección. La práctica inicial debe complementarse con el aserrado de troncos sobre un soporte o un caballete de aserrar.
- ◆ Realice el mantenimiento de la motosierra cuando no la utilice. Cuando guarde la motosierra para no utilizarla durante un cierto tiempo, desmonte primero la cadena de sierra y la barra guía, que deberá conservar sumergidas en aceite. Guarde todas las piezas de la motosierra en un lugar seco y seguro, fuera del alcance de los niños.
- ◆ Le recomendamos purgar el depósito de aceite antes de guardar la herramienta.
- ◆ Asegúrese de tener los pies firmemente asentados y prepare un plan de salida segura para la caída de árboles o ramas.
- ◆ Use cuñas para ayudar a controlar la tala y evitar que la cadena y la barra guía queden bloqueadas en la madera.
- ◆ Cuidados de la cadena de sierra. Mantenga la cadena de sierra afilada y bien encajada en la barra guía. Asegúrese de que la cadena de sierra y la barra guía estén limpias y bien lubricadas. Mantenga los mangos secos, limpios y libres de aceite y grasa.

Evite cortar

- ◆ Madera preparada.
- ◆ Dentro del suelo.
- ◆ En alambradas, clavos, etc.

Instrucciones de seguridad adicionales

- ◆ Asegúrese de que haya otra persona cerca (pero a una distancia segura) en caso de accidente.
- ◆ Si por alguna razón tiene que tocar la cadena, asegúrese de que la motosierra esté desconectada de la corriente.

Causas del retroceso de la máquina y prevención de riesgos al usuario

Es posible que se produzca un retroceso cuando la boca o la punta de la barra guía toque un objeto, o cuando la madera se acerca y se engancha con la cadena de sierra durante el corte. En algunos casos el contacto con la punta puede provocar una reacción invertida y repentina, levantando y bajando la barra guía hacia el usuario. Es posible que si se pellizca la cadena de sierra en la parte superior de la barra guía, ésta puede retroceder hasta el usuario. Cualquiera de estas reacciones puede provocar la pérdida del control de la motosierra y resultar en lesiones personales graves. No confíe únicamente en los dispositivos de seguridad incorporados de la motosierra. Como usuario de la motosierra, debe tomar precauciones para evitar accidentes durante el uso de la herramienta. El retroceso se debe a la utilización inadecuada y/o procedimientos o condiciones de trabajo incorrectos y puede evitarse tomando las precauciones que se detallan a continuación.

- ◆ **Sujete firmemente el mango rodeándolo con los dedos. Con las dos manos en la motosierra, coloque el cuerpo y el brazo de modo que pueda soportar los retrocesos.** Si se toman las precauciones adecuadas, es posible controlar los retrocesos. No desatienda la motosierra.
- ◆ **No se extralimite y no realice cortes a una altura superior al hombro.** De este modo, evitará el contacto accidental con la punta y ayudará a controlar mejor la motosierra en situaciones inesperadas.

- ◆ El ruido de este producto puede superar 85 dB(A). Le recomendamos, por tanto, que tome las medidas adecuadas para proteger sus oídos.
- ◆ **Al manipular el producto, es posible que se caliente la barra de la cadena. Manipúlelo con cuidado. Seguridad de terceros**
- ◆ Este aparato no debe utilizarlo ninguna persona (incluidos los niños) con capacidades físicas, sensoriales o mentales disminuidas, o que carezca de experiencia y conocimientos, salvo que haya recibido supervisión o formación con respecto al uso del aparato por parte de una persona responsable de su seguridad.
- ◆ Los niños deben vigilarse en todo momento para garantizar que el aparato no se toma como elemento de juego.

Riesgos residuales.

El uso de esta herramienta puede producir riesgos residuales adicionales no incluidos en las advertencias de seguridad adjuntas. Estos riesgos se pueden generar por un uso incorrecto, demasiado prolongado, etc. El cumplimiento de las normas de seguridad correspondientes y el uso de dispositivos de seguridad no evitan ciertos riesgos residuales. Estos riesgos incluyen:

- ◆ Lesiones producidas por el contacto con piezas móviles o giratorias.
- ◆ Lesiones producidas al cambiar cualquier pieza, cuchilla o accesorio.
- ◆ Lesiones producidas al usar una herramienta por un tiempo demasiado prolongado. Si utiliza una herramienta durante períodos de tiempo demasiado prolongados, asegúrese de realizar pausas con frecuencia.
- ◆ Discapacidad auditiva.
- ◆ Riesgos para la salud producidos al respirar el polvo que se genera al usar la herramienta (por ejemplo: en los trabajos con madera, especialmente de roble, haya y tableros de densidad mediana).

Vibración

El valor de emisión de vibraciones declarado en el apartado de características técnicas y en la declaración de conformidad se ha calculado según un método de prueba estándar proporcionado por la norma EN 60745 y puede utilizarse para comparar una herramienta con otra. El valor de emisión de vibraciones especificado también podrá utilizarse en una evaluación preliminar de la exposición.

¡Atención! El valor de emisión de vibraciones durante el funcionamiento real de la herramienta eléctrica puede diferir del valor declarado en función de cómo se utilice dicha herramienta. El nivel de las vibraciones puede superar el indicado. Al evaluar la exposición a las vibraciones con el fin de determinar las medidas de seguridad que exige la norma 2002/44/CE para proteger a las personas que utilizan periódicamente herramientas eléctricas en el entorno laboral, deberá tenerse en cuenta una estimación de la exposición a las vibraciones, las condiciones de uso reales y el modo de empleo de la herramienta, así como los pasos del ciclo operativo como, por ejemplo, el número de veces que la herramienta se apaga, el tiempo que está parada y el tiempo de activación.

Etiquetas en la herramienta

Encontrará los siguientes pictogramas en la herramienta:



¡Atención! Para reducir el riesgo de lesiones, el usuario debe leer el manual de instrucciones.



Cuando utilice la herramienta, lleve siempre gafas protectoras.



Cuando utilice la herramienta, utilice siempre protección para los oídos.



No exponga la herramienta a la lluvia ni a la humedad.



Directiva 2000/14/CE sobre la potencia acústica garantizada.



Desconecte el enchufe de la red eléctrica inmediatamente si el cable presenta daños o está cortado.



Precaución: No lo apriete en exceso. Apriételo con la mano. Apriételo solo con los dedos.

Seguridad eléctrica



Esta herramienta lleva un doble aislamiento; por lo tanto, no requiere una toma a tierra. Compruebe siempre que la tensión de la red corresponda con el valor indicado en la placa de datos de la herramienta.

- ◆ Si se daña el cable de alimentación, el fabricante o un centro de servicio técnico autorizado de BLACK+DECKER deberán sustituirlo para evitar riesgos.

Uso de un cable de prolongación

- ◆ Utilicé probado que sea adecuado para la entrada de corriente de esta herramienta e siempre un cable de prolongación a (consulte la ficha técnica). El cable de prolongación debe ser adecuado para su uso en exteriores y presentar las indicaciones oportunas. Se puede utilizar un cable de prolongación HO7RN-F 2 X de 1.5 mm² y de hasta 30 m sin pérdida de rendimiento del producto. Antes de utilizar el cable de prolongación, compruebe que no está dañado, gastado o deteriorado. Si está dañado o defectuoso, sustitúyalo. Cuando utilice una bobina de cable, desenrolle siempre todo el cable.

Caídas de tensión

- ◆ En determinadas condiciones de suministro de alimentación, es posible que este producto provoque caídas de tensión de corta duración durante el arranque.
- ◆ Es posible que otros equipos se vean afectados. Por ejemplo, es posible que la intensidad de las luces eléctricas se vea reducida temporalmente.
- ◆ Si fuera necesario, póngase en contacto con su suministrador de energía para determinar si la impedancia de la fuente de alimentación es inferior a 0.172/0.293ohmios. En esta situación, es poco probable que se produzcan perturbaciones.

Protéjase contra las descargas eléctricas

- ◆ Evite el contacto del cuerpo con superficies conectadas a masa o tierra (p. ej., verjas metálicas, farolas, etc.). Se puede incrementar la seguridad eléctrica mediante la utilización de Dispositivos de corriente residual (RCD) de alta sensibilidad (30 mA/30 mS).



¡Atención! El uso de un RCD u otro cortacircuitos no dispensa al usuario de la motosierra de cumplir con las instrucciones de seguridad y las prácticas de trabajo seguras dadas en este manual del usuario.

Características

1. Interruptor de encendido/apagado
2. Botón de desbloqueo
3. Conjunto de protector delantero/freno de cadena
4. Barra guía
5. Cadena
6. Conjunto de cubierta de la cadena
7. Mando de bloqueo de ajuste de la cadena
8. Disco de ajuste de tensión de la cadena
9. Funda de la cadena
10. Cable de alimentación
11. Retén del cable de alimentación
12. Tapón del aceite
13. Indicador del nivel de aceite

Montaje



¡Atención! Utilice siempre guantes de protección cuando manipule la motosierra.



¡Atención! Antes de realizar el montaje o mantenimiento de las herramientas eléctricas, primero debe apagar la máquina y desconectarla de la toma de corriente.



¡Atención! Antes de realizar el montaje, retire el sujetacables que conecta la cadena a la barra de la cadena.

Engrase de la cadena

Deberá hacerlo cada vez que utilice una nueva cadena (5) por primera vez. Saque la cadena nueva (5) y empápelala con aceite para cadenas durante al menos una hora antes de utilizarla. Utilice aceite para cadenas de BLACK+DECKER. Le recomendamos utilizar únicamente aceite BLACK+DECKER durante la vida útil de la motosierra, puesto que las mezclas de aceites diferentes pueden llegar a degradar el aceite, lo cual puede acortar drásticamente la duración de la cadena de sierra y comportar riesgos adicionales. No utilice nunca aceite usado, aceite pesado o aceite muy ligero de máquinas de coser, ya que podrían dañar la motosierra.

Colocación de la barra guía y la cadena. (figs. A-E)

- ◆ Coloque la motosierra sobre una superficie estable.
- ◆ Coloque el conjunto de protector delantero/freno de cadena (3) en la posición de avance (fig. A).
- ◆ Gire el mando de bloqueo de ajuste de la cadena (7) en sentido contrario al de las agujas del reloj para retirar el conjunto de cubierta de la cadena (6) (fig. B).

- ◆ Coloque la cadena (5) sobre la barra guía (4), asegurándose de que los dientes de la cadena de sierra situados en la parte superior de la barra guía (4) miran hacia el frente (fig. C).
- ◆ Guíe la cadena (5) alrededor de la barra guía (4) y tire de ella para crear un bucle en un lado del extremo posterior de la barra guía (4).
- ◆ Guíe la cadena (5) alrededor de la rueda dentada motriz (14) y alinee la ranura de la barra guía con el orificio central del disco tensor de la cadena (16) mediante el perno (15) (fig. D).

Nota: gire el disco tensor de la cadena hasta que el orificio central quede alineado con el perno (15).

¡Atención! Asegúrese de que el conjunto de protector delantero/freno de cadena (3) se encuentra en la posición establecida (avance) antes de volverlo a colocar (fig. A).

- ◆ Coloque el conjunto de cubierta de la cadena (6) en la motosierra.
- ◆ Asegúrese de que la lengüeta (17) del conjunto de cubierta de la cadena quede situada correctamente dentro de la ranura (18) de la carcasa principal (fig. E).
- ◆ Gire el mando de bloqueo de ajuste de la cadena (7) en el sentido de las agujas del reloj hasta que encaje bien.
- ◆ Compruebe la tensión; consulte "Comprobación de la tensión de la cadena", a continuación.
- ◆ Si la cadena no está lo suficientemente tensa, consulte "Aumento de la tensión de la cadena", a continuación.

Comprobación de la tensión de la cadena (inserte fig. F)

Antes de usar la máquina y después de cada 10 minutos de uso, debe comprobar la tensión de la cadena.

- ◆ Desconecte la herramienta de la toma de corriente
- ◆ Tire suavemente de la cadena (5) tal como se indica (inserción fig. F). La tensión es correcta cuando la cadena (5) vuelve a su posición inicial después de separarla 3 mm de la barra guía (4). No debe haber "comba" alguna entre la barra guía (4) y la cadena (5) en la parte inferior (fig. G).

Aumento de la tensión de la cadena (fig. B)

- ◆ Afloje el mando de bloqueo de ajuste de la cadena (7) en sentido contrario al de las agujas del reloj media vuelta.
- ◆ Gire el disco de ajuste de tensión de la cadena (8) en el sentido de las agujas del reloj hasta que note una ligera resistencia.
- ◆ Compruebe la tensión; consulte "Comprobación de la tensión de la cadena".
- ◆ Si es satisfactoria, vuelva a apretar el mando de bloqueo (7); si se necesita más tensión, gire el disco de ajuste (8). A continuación, vuelva a apretar el mando de bloqueo (7).

Nota: No tense demasiado la cadena, ya que provocará un desgaste excesivo y se reducirá la vida útil de la barra guía y de la cadena.

Nota: Cuando la cadena sea nueva, compruebe la tensión frecuentemente (después de desconectar la máquina de la corriente) durante las 2 primeras horas de uso, ya que una cadena nueva se alarga ligeramente.

Uso

¡Atención! Deje que la herramienta funcione a su ritmo. No la sobrecargue.

Llenado del depósito de aceite (fig. H)

- ◆ Retire el tapón del aceite (12) y llene el depósito con el aceite para cadenas recomendado. Podrá ver el nivel de aceite en el indicador de nivel de aceite (13). Vuelva a poner el tapón del aceite (12).
- ◆ Periódicamente, apague la máquina y compruebe el indicador de nivel de aceite (13); si está por debajo de un cuarto de su total, desconecte la motosierra de la toma de corriente y rellene el depósito con el aceite adecuado. La motosierra incluye un sistema de lubricación automático que se ocupa de que la cadena de sierra y la barra guía estén siempre lubricadas.

Le recomendamos utilizar únicamente aceite BLACK+DECKER durante la vida útil de la motosierra, puesto que las mezclas de aceites diferentes pueden llegar a degradar el aceite, lo cual puede acortar drásticamente la duración de la cadena de sierra y comportar riesgos adicionales. No utilice nunca aceite usado, aceite pesado o aceite muy ligero de máquinas de coser, ya que podrían dañar la motosierra. Utilice únicamente el grado correcto de aceite (número de catálogo A6023-QZ).

- ◆ La motosierra distribuirá automáticamente aceite a la cadena durante el uso.

Cómo ajustar el freno de cadena (fig. A)

- ◆ Asegúrese de que la herramienta está desconectada de la toma de corriente.
- ◆ Tire del conjunto de protector delantero/freno de cadena (3) hasta que regrese a la posición establecida "set" (fig. A).
- ◆ La herramienta está ahora lista para su uso.

Encendido

Nota: No será posible encender la herramienta si el conjunto de protector delantero/freno de cadena no está en la posición establecida "set".

- ◆ Agarre firmemente la motosierra con ambas manos. Empuje el botón de desbloqueo (2) y luego pulse el interruptor de encendido/apagado (1) para comenzar.

- ◆ Cuando arranque el motor, retire el pulgar del botón de bloqueo (2) y agarre el mango firmemente. No fuerce la herramienta; deje que haga el trabajo. Hará un trabajo mejor y más seguro a la velocidad para la que se ha diseñado. Una fuerza excesiva estirará la cadena de sierra (5).

Cómo funciona el freno de cadena antiretroceso

En caso de que se produzca retroceso, su mano izquierda entrará en contacto con el protector delantero, empujándolo hacia delante, hacia la pieza de trabajo, y haciendo que la herramienta se detenga en unas pocas fracciones de segundo.

Cómo probar el freno de cadena antiretroceso (fig. A)

- ◆ Compruebe siempre que el freno de retroceso funciona correctamente antes de utilizar la máquina.
- ◆ Agarre firmemente la herramienta con ambas manos sobre una superficie firme, asegúrese de que la cadena de sierra (5) está alejada del suelo y encienda la máquina (consulte “Cómo encender la motosierra”).
- ◆ Gire la mano izquierda hacia adelante alrededor del mango delantero, de manera que el dorso de la mano entre en contacto con el conjunto de protector delantero/freno de cadena (3) y lo empuje hacia delante, hacia la pieza de trabajo (fig. A). La cadena de sierra (5) debería detenerse en unas pocas fracciones de segundo. Para restablecer la máquina después de la utilización del conjunto de protector delantero/freno de cadena (3), siga las instrucciones de “Cómo ajustar el freno de cadena”.

Nota: No arranque de nuevo la herramienta hasta que no haya oído que el motor se ha detenido por completo.

Nota: Si el freno de cadena no funciona correctamente, lleve el producto a un centro de servicio técnico autorizado de BLACK+DECKER.

Si la cadena de sierra (5) o la barra guía (4) se atascan

- ◆ Apague la herramienta.
- ◆ Desconecte la herramienta de la toma de corriente.
- ◆ Abra el corte con cuñas para disminuir la presión sobre la barra guía (4). No intente liberar la motosierra con tirones.
- ◆ Inicie un corte nuevo.

Tala (figs. I-K)

Los usuarios sin experiencia no deberían talar árboles. El usuario podría sufrir lesiones o provocar daños materiales como resultado de la pérdida de control de la dirección de caída, el árbol puede astillarse o las ramas dañadas o muertas pueden caer durante la tala. La distancia de seguridad entre un árbol que se tala y los transeúntes, edificios y otros objetos es al menos 2 veces y media la altura del árbol.

Los transeúntes, edificios u objetos que se encuentren dentro de esta distancia corren el riesgo de ser golpeados por el árbol mientras cae.

Antes de talar árboles:

- ◆ Asegúrese de que no existen ordenanzas o normas municipales que prohíban o controlen la tala de árboles.
- ◆ Considere todas las condiciones que puedan influir en la dirección de caída, incluidas las siguientes:
 - ◆ La dirección de caída prevista.
 - ◆ La inclinación natural del árbol.
 - ◆ Cualquier putrefacción o estructura de rama pesada y poco común.
 - ◆ Árboles circundantes y obstáculos como líneas de teléfono o tendido eléctrico y desagües subterráneos.
 - ◆ La velocidad y dirección del viento.

Tenga preparado un plan de salida segura para la caída de árboles o ramas. Asegúrese de que la trayectoria de salida esté libre de obstáculos que eviten o impidan el movimiento. Recuerde que la hierba mojada y las cortezas recién cortadas son resbaladizas.

- ◆ No tala árboles cuyo diámetro es mayor que la longitud de corte de la motosierra.
- ◆ Realice un corte angular para determinar la dirección de la caída.
- ◆ Realice un corte horizontal con una profundidad de entre 1/5 y 1/3 del diámetro del árbol, perpendicular a la línea de caída en la base del árbol (fig. I).
- ◆ Realice un segundo corte desde arriba para que se interseque con el primero y forme un corte angular de unos 45°.
- ◆ Realice un único corte de tala horizontal desde el otro lado entre 25 mm y 50 mm por encima del centro del corte angular de orientación. (fig. J). No corte a través del corte angular de orientación, puesto que podría perder el control de la dirección de caída.
- ◆ Introduzca una o más cuñas en este corte de tala para abrirlo y dejar caer el árbol (fig. K).

Poda de árboles

Asegúrese de que no existen ordenanzas o normas municipales que prohíban o controlen la poda de las ramas de los árboles. La poda deben realizarla usuarios experimentados puesto que hay riesgo de que se produzca un retroceso o se enganche la cadena.

Antes de podar deben considerarse las condiciones que afectan la dirección de caída incluyendo:

- ◆ La longitud y el peso de la rama que va a cortar.
- ◆ Cualquier putrefacción o estructura de rama pesada y poco común.
- ◆ Árboles circundantes y obstáculos como líneas de teléfono o de tendido eléctrico.

- ◆ La velocidad y dirección del viento.
- ◆ Las ramas que se entrelazan. El usuario debe considerar el acceso a la rama del árbol y la dirección de caída. Es probable que las ramas oscilen hacia el tronco. Además del usuario, los transeúntes, objetos y propiedades que se encuentren bajo la rama están en peligro.
- ◆ Para evitar el astillamiento, realice el primer corte hacia arriba con una profundidad máxima de un tercio del diámetro de la rama.
- ◆ Realice el segundo corte hacia abajo para que coincida con el primero.

Corta forestal (figs. L-O)

Cómo deberá cortar dependerá de la forma en que se sujete el tronco. Use un caballete de aserrar siempre que sea posible. Empiece siempre el corte con la cadena de sierra en funcionamiento y el amortiguador de púas (20) en contacto con la madera (fig. L). Para completar el corte, use la acción pivotante del amortiguador de púas contra la madera.

Cuando se apoya en toda su longitud:

- ◆ Haga un corte hacia abajo, evitando cortar la tierra para no mellar rápidamente la cadena.

Cuando se apoya en ambos extremos:

- ◆ Primero corte un tercio hacia abajo para evitar que se astille y seguidamente corte siguiendo el primer corte.

Cuando se apoya en un extremo:

- ◆ Primero, corte un tercio hacia arriba para evitar que se astille y seguidamente corte hacia abajo para evitar el mismo problema.

Cuando se está en pendiente:

- ◆ Colóquese siempre en la parte alta de la cuesta.

Cuando desee cortar un tronco en el suelo (fig. M):

- ◆ Fije la pieza de trabajo mediante abrazaderas o cuñas. El usuario o los operarios no deben estabilizar el tronco sentándose o plantándose sobre él. Asegúrese de que la cadena de sierra no entra en contacto con el suelo.

Cuando se usa un caballete de aserrar (fig. N):

Siempre que sea posible, se recomienda encarecidamente su utilización.

- ◆ Coloque el tronco en una posición estable. Corte siempre sobre el exterior de los brazos del caballete de aserrar. Utilice pinzas o correas para fijar con firmeza la pieza de trabajo.

Corte de ramas (fig. O)

Eliminación de las ramas de un árbol caído. Cuando corte ramas, deje las ramas inferiores de mayor tamaño para mantener el tronco alejado del suelo. Quite las ramas pequeñas de un corte. Las ramas sometidas a tensión deben cortarse de abajo arriba para evitar que la motosierra se bloquee. Corte las ramas del otro lado dejando el tronco del árbol entre usted y la sierra. Nunca realice cortes con la sierra entre las piernas ni se sienta a horcajadas en la rama que va a cortar.

Solución de problemas

Problema	Causa posible	Posible solución
La herramienta no arranca	No se ha pulsado el botón de bloqueo.	Pulse el botón de bloqueo.
	El protector delantero está en la posición de freno	Restablezca la posición del protector delantero
	Fusible fundido	Sustituya el fusible
	RCD activado	Compruebe el RCD
	El cable de corriente no está conectado	Compruebe la toma de corriente
La cadena no se detiene en 2 segundos cuando se apaga la herramienta	La tensión de la cadena está demasiado floja	Compruebe la tensión de la cadena
La barra o cadena parece estar caliente/ emite humo	El depósito de aceite está vacío	Compruebe el nivel del depósito de aceite
	El orificio de aceite está bloqueado en la barra de la cadena	Limpie los orificios de aceite (21 - fig. E) y la ranura alrededor del borde de la barra de la cadena.
	La tensión de la cadena está demasiado apretada	Compruebe la tensión de la cadena
La rueda dentada de la barra guía necesita engrase	La rueda dentada de la barra guía necesita engrase	Engrase la rueda dentada de la barra guía
	La motosierra no corta adecuadamente	La cadena está al revés
		Afile la cadena

Problema	Causa posible	Posible solución
La motosierra no utiliza aceite	Hay restos en el depósito	Vacíe el depósito y coloque aceite nuevo
	El orificio de aceite del tapón está bloqueado	Elimine los restos del orificio
	Hay restos en la barra de la cadena	Elimine los restos y limpie la barra de la cadena
	Hay restos en la salida de aceite	Elimine los restos

Mantenimiento

El mantenimiento regular asegura una larga vida efectiva de la herramienta. Le recomendamos que realice los chequeos siguientes de forma periódica:

¡Atención! Antes de realizar el mantenimiento de las herramientas eléctricas:

- ◆ Apague la herramienta y desconéctela de la toma de corriente.

Nivel de aceite

No debe permitirse que el nivel del depósito caiga por debajo de un cuarto de su total.

Cadena de sierra y barra guía (fig. F)

- ◆ Cada pocas horas de uso y antes de almacenar la máquina, retire la barra guía (4) y la cadena de sierra (5) y límpielas a fondo.
- ◆ Asegúrese de que el protector esté limpio y de que no contenga restos.
- ◆ Durante el montaje, gire la barra guía (4) 180°, retire el disco tensor de la cadena con un destornillador y vuelva a colocarlo en el extremo opuesto de la barra guía. **¡Atención!** No apriete en exceso.
- ◆ Engrase la punta de la rueda dentada a través del orificio de lubricación de la rueda dentada (19); esto garantiza una distribución uniforme del desgaste alrededor de los railes de la barra guía.

Afilado de la cadena de sierra

Si desea conseguir el máximo rendimiento de la herramienta, es importante que mantenga los dientes de la motosierra afilados. Las instrucciones de este procedimiento se encuentran en el paquete del afilador. A tal fin, recomendamos comprar el kit de afilado de cadena de sierra de BLACK+DECKER (disponible en los talleres de servicio y concesionarios seleccionados de BLACK+DECKER).

Sustitución de las cadenas de sierra desgastadas

Las tiendas minoristas y los talleres de servicio de BLACK+DECKER disponen de cadenas de sierra de repuesto. Utilice siempre las piezas de repuesto originales.

Afilado de la cadena de sierra

Los dientes de la cadena de sierra se mellarán inmediatamente si tocan el suelo o golpean un clavo durante la operación de corte.

Tensión de la cadena de sierra

Compruebe periódicamente la tensión de la cadena.

Qué hacer si la motosierra necesita reparación:

La motosierra se fabrica según los requisitos de seguridad pertinentes. Solo el personal cualificado puede llevar a cabo las reparaciones, utilizando piezas de repuesto originales; en caso contrario, podría ocasionarse un considerable peligro al usuario. Le recomendamos guardar este manual del usuario en un lugar seguro.

Sustitución del enchufe de corriente (solo para el Reino Unido e Irlanda)

Si es necesario colocar un nuevo enchufe de corriente:

- ◆ Deseche el enchufe anterior según las normas de seguridad.
- ◆ Conecte el cable marrón al terminal conductor del nuevo enchufe.
- ◆ Conecte el cable azul al terminal neutro.

¡Atención! No se debe realizar ninguna conexión al terminal de conexión a tierra. Siga las instrucciones de montaje que se suministran con los enchufes de buena calidad. Fusible recomendado: 13 A.

Protección del medio ambiente



Recogida selectiva. No se debe desechar este producto con el resto de residuos domésticos.

Si llegase el momento en que fuese necesario sustituir su producto BLACK+DECKER o si este dejase de tener utilidad para usted, no lo deseche junto con los residuos domésticos. Sepárelo para su recogida selectiva.



La recogida selectiva de productos y embalajes usados permite el reciclaje de materiales y su reutilización. La reutilización de materiales reciclados contribuye a evitar la contaminación medioambiental y reduce la demanda de materias primas.

Las normativas municipales deben ofrecer la recogida selectiva de productos eléctricos del hogar en puntos municipales previstos para tal fin o a través del distribuidor cuando adquiera un nuevo producto.

BLACK+DECKER proporciona facilidades para la recogida y reciclado de los productos BLACK+DECKER que han llegado al final de su vida útil. Para poder utilizar este servicio, le rogamos que entregue el producto a cualquier agente de servicio técnico autorizado para que se haga cargo de él en nuestro nombre.

Para consultar la dirección del agente de servicio técnico más cercano, póngase en contacto con la oficina local de BLACK+DECKER en la dirección que se indica en este manual. Por otro lado, encontrará una lista de los talleres de reparación autorizados de BLACK+DECKER y todos los detalles de nuestro servicio de posventa y los contactos disponibles en Internet, en: www.2helpU.com

Ficha técnica

		CS2040 (Tipo 1)	CS2245 (Tipo 1)
Voltaje	V _{ac}	230 V	230 V
Entrada de potencia	W	2000 W	2200 W
lengte	mm	400	450
Velocidad de la cadena (sin carga)	m/s	12.5 m/s	12.5 m/s
Máxima longitud de corte	mm	397	436
veiligheid			
klaseCapacidad de aceite	ml	200 ml	150 ml
Peso	kg	5.5	5.66
klasede seguridad		II	II

Nivel de presión acústica de acuerdo con la norma EN 60745:
L _{PA} (presión acústica) 85.7/95 dB(A), Incertidumbre (K) 3/2.5dB(A)
L _{WA} (potencia acústica) 102.1/106 dB(A), Incertidumbre (K) 3/2.5 dB(A)

Valores totales de vibración (suma vectorial triaxial) de acuerdo con la norma EN 60745:
Valor de emisión de vibraciones (a _v) 4.5/5.5m/s ² , Incertidumbre (K) 1.5m/s ²

**Declaración de conformidad de la
CEDIRECTIVA DE MAQUINARIAS DIRECTIVA
SOBRE LA EMISIÓN DE RUIDO EN
EXTERIORES**



CS2040/CS2245

Black & Decker declara que los productos descritos en la "ficha técnica" cumplen con las siguientes directivas:
2006/42/CE, EN 60745-1, EN 60745-2-13
2006/42/CE, Sierra de cadena, Anexo IV

TÜV Rheinland LGA Products GmbH;
Tillystraße 2 D - 90431 Nürnberg, Germany;

N.º de ID del departamento notificado: 0197

Nivel de potencia acústica de acuerdo con la directiva
2000/14/CE (Artículo 13, Anexo III):

L_{WA} (potencia acústica medida) 102.1/106 dB(A)

Incertidumbre (K) 3/2.5 dB(A)

L_{WA} (potencia acústica garantizada) 109/110 dB(A)

Estos productos también cumplen con las directivas 2014/30/UE y 2011/65/UE. Si desea obtener más información, póngase en contacto con Black & Decker a través de la siguiente dirección o consulte la contracubierta del manual. El abajo firmante es responsable de la elaboración del expediente técnico y realiza esta declaración en nombre de Black & Decker.

R. Laverick
Engineering Manager
Black & Decker Europa, 210 Bath Road, Slough,
Berkshire, SL1 3YD
Reino Unido
10/09/2014

Garantía

Black & Decker confía plenamente en la calidad de sus productos y ofrece una garantía extraordinaria. Esta declaración de garantía es un añadido, y en ningún caso un perjuicio para sus derechos legales. La garantía es válida dentro de los territorios de los Estados miembros de la Unión Europea y de los de la Zona Europea de Libre Comercio.

Si un producto Black & Decker resultara defectuoso debido a materiales o mano de obra defectuosos o a la falta de conformidad, Black & Decker garantiza, dentro de los 24 meses de la fecha de compra, la sustitución de las piezas defectuosas, la reparación de los productos sujetos a un desgaste y rotura razonables o la sustitución de tales productos para garantizar al cliente el mínimo de inconvenientes, a menos que:

- ◆ El producto se haya utilizado con propósitos comerciales, profesionales o de alquiler.
- ◆ El producto se haya sometido a un uso inadecuado o negligente.
- ◆ El producto haya sufrido daños causados por objetos o sustancias extrañas o accidentes.
- ◆ Se hayan realizado reparaciones por parte de personas que no sean del servicio técnico autorizado o personal de servicios de Black & Decker.

Para reclamar en garantía, será necesario que presente la prueba de compra al vendedor o al agente de servicio técnico autorizado. Puede consultar la dirección de su agente de servicio técnico más cercano si se pone en contacto con la oficina local de Black & Decker en la dirección que se indica en este manual. Como opción alternativa, puede consultar la lista de agentes de servicio técnico autorizados de Black & Decker y obtener la información completa de nuestros servicios de posventa y los contactos disponibles en la siguiente dirección de Internet: www.2helpU.com

Visite nuestro sitio web www.blackanddecker.es para registrar su nuevo producto BLACK+DECKER y estar al día de los nuevos productos y las ofertas especiales. Encontrará información adicional sobre la marca BLACK+DECKER y nuestra gama de productos en www.blackanddecker.es

Utilização prevista

A sua motosserra BLACK+DECKER™ foi concebida para podar e derrubar árvores e cortar ramos. Esta ferramenta destina-se apenas a utilização doméstica.

Instruções de segurança

Avisos de segurança gerais para ferramentas eléctricas



Atenção! Leia com atenção todos os avisos de segurança e instruções. O não cumprimento dos seguintes avisos e instruções pode resultar em choque eléctrico, incêndio e/ou graves lesões.

Guarde todas las advertencias e instrucciones para futuras consultas.

El término "herramienta eléctrica" empleado en las advertencias a continuación hace referencia a la herramienta eléctrica con alimentación de red (con cable) o alimentada por batería (sin cable).

Guarde todos os avisos e instruções para futura referência.

A expressão "ferramenta eléctrica" utilizada a seguir refere-se a ferramentas eléctricas com ligação à corrente eléctrica (com cabo) ou com bateria (sem fios).

1. Segurança na área de trabalho

- a. **Mantenha a área de trabalho limpa e bem iluminada.** Áreas desarrumadas ou mal iluminadas são propícias a acidentes.
- b. **Não trabalhe com ferramentas eléctricas em áreas com risco de explosão, nas quais se encontrem líquidos, gases ou poeiras inflamáveis.** As ferramentas eléctricas produzem faíscas que podem provocar a ignição de poeiras ou vapores.
- c. **Mantenha crianças e outras pessoas afastadas durante a utilização da ferramenta eléctrica.** Distracções podem provocar perda de controlo do aparelho.
2. **Segurança eléctrica**
 - a. **A ficha da ferramenta eléctrica deve caber na tomada. A ficha não deve ser modificada de modo algum. Não utilize quaisquer fichas adaptadoras em ferramentas eléctricas com ligação à terra.** Fichas sem modificações e tomadas adequadas reduzem o risco de choques eléctricos.
 - b. **Evite que o corpo entre em contacto com superfícies ligadas à terra, como tubos, radiadores, fogões e frigoríficos.** Existe um risco elevado de choques eléctricos se o corpo estiver ligado à terra.

- c. **As ferramentas eléctricas não podem ser expostas a chuva nem humidade.** A penetração de água na ferramenta eléctrica aumenta o risco de choques eléctricos.
- d. **Manuseie o cabo com cuidado. O cabo não deve ser utilizado para transportar ou pendurar a ferramenta, nem para puxar a ficha da tomada. Mantenha o cabo afastado de calor, óleo, pontas afiadas ou partes móveis.** Cabos danificados ou torcidos aumentam o risco de choques eléctricos.
- e. **Quando trabalhar com uma ferramenta eléctrica ao ar livre, utilize um cabo de extensão apropriado para esse fim.** A utilização de um cabo apropriado para áreas ao ar livre reduz o risco de choques eléctricos.
- f. **Se for inevitável trabalhar com uma ferramenta eléctrica num local húmido, utilize um Dispositivo de Corrente Residual (RCD).** A utilização de um RCD reduz o risco de choque eléctrico.

3. Segurança pessoal

- a. **Mantenha-se atento, observe o que está a fazer e seja prudente ao trabalhar com uma ferramenta eléctrica. Não utilize uma ferramenta eléctrica se estiver cansado ou sob a influência de drogas, álcool ou medicamentos.** Um momento de falta de atenção enquanto trabalha com ferramentas eléctricas poderá resultar em lesões graves.
- b. **Utilize equipamento de protecção pessoal. Utilize sempre óculos de protecção.** Equipamento de protecção como, por exemplo, máscara anti-poeiras, sapatos de segurança anti-derrapantes, capacete de segurança ou protecção auricular, de acordo com o tipo e a aplicação de ferramenta eléctrica, reduz o risco de lesões.
- c. **Evite arranques involuntários. Certifique-se de que o botão está desligado antes de ligar a ferramenta à corrente eléctrica e/ou a bateria, pegando ou transportando a ferramenta.** Transportar ferramentas eléctricas com o dedo no botão ou ligar ferramentas eléctricas à tomada com o interruptor na posição de ligado pode dar origem a acidentes.
- d. **Retire eventuais chaves de ajuste ou chaves inglesas antes de ligar a ferramenta eléctrica.** Uma chave fixa ou qualquer outra chave ligada a uma peça rotativa da ferramenta eléctrica pode provocar lesões.
- e. **Não se incline. Mantenha-se sempre bem posicionado e em equilíbrio.** Assim, controlará melhor a ferramenta eléctrica em situações imprevistas.
- f. **Utilize vestuário adequado. Não utilize roupas largas nem jóias. Mantenha o cabelo, roupa e luvas afastados de peças em movimento.** Roupas largas, jóias ou cabelo comprido podem ser apanhados por partes móveis.

- g. **Se for prevista a montagem de dispositivos de extracção e recolha de pó, assegure-se de que estão ligados e que são utilizados de forma correcta.** A recolha das poeiras pode reduzir os riscos provocados por poeiras.
4. **Utilização e manutenção da ferramenta eléctrica**
- a. **Não sobrecarregue a ferramenta eléctrica. Utilize a ferramenta eléctrica adequada para o trabalho pretendido.** A ferramenta eléctrica correcta realizará o trabalho de forma melhor e mais segura, com a potência com que foi concebida.
- b. **Não utilize a ferramenta eléctrica se o interruptor não puder ser ligado nem desligado.** Qualquer ferramenta eléctrica que não possa ser controlada com o interruptor é perigosa e terá de ser reparada.
- c. **Desligue a ficha da tomada e/ou a bateria da tomada antes de proceder a ajustes, trocar acessórios ou guardar ferramentas eléctricas.** Estas medidas de prevenção de segurança reduzem o risco de ligação inadvertida da ferramenta eléctrica.
- d. **Mantenha as ferramentas eléctricas que não estiverem a ser utilizadas fora do alcance de crianças. Não permita que a ferramenta eléctrica seja utilizada por pessoas não familiarizadas com a mesma ou que não tenham lido estas instruções.** As ferramentas eléctricas são perigosas quando utilizadas por pessoas não qualificadas.
- e. **Efectue a manutenção das ferramentas eléctricas. Verifique se as partes móveis estão desalinhasadas ou bloqueadas, se existem peças partidas ou qualquer outra situação que possa afectar o funcionamento das ferramentas eléctricas. As peças danificadas devem ser reparadas antes da utilização da ferramenta eléctrica.** Muitos acidentes são provocados por falta de manutenção das ferramentas eléctricas.
- f. **Mantenha as ferramentas de corte sempre afiadas e limpas.** Ferramentas de corte com a manutenção adequada e extremidades afiadas bloqueiam com menos frequência e são mais fáceis de controlar.
- g. **Utilize a ferramenta eléctrica, acessórios e peças de ferramenta de acordo com estas instruções, considerando as condições de trabalho e a tarefa a ser executada.** A utilização da ferramenta eléctrica para fins diferentes dos previstos pode resultar em situações perigosas.
5. **Reparação**
- a. **A sua ferramenta eléctrica só deve ser reparada por pessoal qualificado e só devem ser colocadas peças sobressalentes originais.** Isso garante a manutenção da segurança da ferramenta eléctrica.

Avisos de segurança adicionais para ferramentas eléctricas



Atenção! Avisos de segurança adicionais para electroserras

- ◆ **Mantenha todas as partes do corpo afastadas da corrente da serra quando a electroserra estiver em funcionamento. Antes de ligar a motosserra, certifique-se de que a corrente da serra não está em contacto com nada.** Um momento de falta de atenção durante a utilização de uma motosserra poderá fazer com que o seu vestuário ou corpo fique preso na ferramenta.
- ◆ **Segure sempre a motosserra com a mão direita no punho traseiro e a mão esquerda no punho dianteiro.** Segurar a motosserra com uma disposição invertida das mãos aumenta o risco de lesões e tal nunca deverá ser efectuado.
- ◆ **Pegue sempre na ferramenta eléctrica pelos punhos isolados, uma vez que a corrente da serra poderá entrar em contacto com cablagem oculta ou com o seu próprio cabo.** As correntes da serra em contacto com um cabo "electrificado" poderão fazer com que as peças metálicas expostas do sistema eléctrico da ferramenta também o fiquem e provoquem um choque eléctrico ao operador.
- ◆ **Utilize óculos de segurança e protecção auditiva. É recomendada a utilização de equipamento de protecção adicional para a cabeça, mãos, pernas e pés.** Um vestuário de protecção adequado reduzirá as lesões causadas por detritos em movimento ou pelo contacto accidental com a corrente da serra.
- ◆ **Não utilize uma electroserra numa árvore.** A utilização de uma electroserra numa árvore poderá resultar em lesões.
- ◆ **Mantenha-se sempre bem posicionado e utilize a motosserra apenas quando se encontrar numa superfície fixa, segura e nivelada.** As superfícies escorregadias ou instáveis, como, por exemplo, escadas, poderão causar uma perda de equilíbrio ou controlo da motosserra.
- ◆ **Quando estiver a cortar uma pernada sob tensão, esteja atento à recuperação elástica.** Quando a tensão das fibras de madeira for libertada, o ramo sob tensão pode atingir o operador e/ou provocar o descontrolo da motosserra.
- ◆ **Tenha especial cuidado ao cortar galhos e casca de árvore.** O material fino e delgado poderá tocar na corrente da serra e saltar na sua direcção ou fazer com que se desequilibre.

- ◆ **Transporte a motosserra pelo punho dianteiro com a motosserra desligada e afastada do seu corpo. Quando transportar ou armazenar a electroserra, coloque sempre a tampa da barra de direcção.** Um manuseamento adequado da motosserra reduzirá a probabilidade de um contacto accidental com a corrente da serra em movimento.
- ◆ **Siga as instruções relativas à lubrificação, tensão da corrente e troca de acessórios.** Uma corrente incorrectamente tensionada ou lubrificada poderá partir ou aumentar a probabilidade de um contra-golpe
- ◆ **Mantenha os punhos secos, limpos e sem qualquer óleo ou gordura.** Os punhos com gorduras ou óleo são escorregadios, podendo provocar a perda de controlo.
- ◆ **Corte apenas madeira. Não utilize a electroserra para fins diferentes dos previstos. Por exemplo: não utilize a electroserra para cortar plástico, pedra ou materiais de construção que não sejam madeira.** A utilização da motosserra para outros fins que não os previstos poderá resultar em situações perigosas.

Causa e prevenção contra um contra-golpe

- O contra-golpe poderá ocorrer quando a frente ou ponta da barra de direcção tocar num objecto ou quando um pedaço de madeira se fechar e emperrar a corrente da serra no corte. O contacto com a ponta poderá, em alguns casos, causar uma súbita reacção inversa, empurrando a barra de direcção para cima e para trás em direcção ao utilizador. Prender a corrente da serra ao longo da parte superior da barra de direcção poderá empurrar a barra de direcção rapidamente para trás em direcção ao utilizador. Qualquer uma destas reacções poderá fazer com que perca o controlo da motosserra o que poderá causar lesões graves. Não dependa exclusivamente dos dispositivos de segurança integrados na sua motosserra. Como utilizador de uma motosserra, deverá efectuar diversas medidas para manter os seus trabalhos de corte isentos de acidentes ou lesões. Um contra-golpe é o resultado de uma utilização errada da ferramenta e/ou de procedimentos ou condições de utilização incorrectos, podendo ser evitado com medidas de precauções apropriadas, conforme descrito em seguida:
- ◆ **Segure com firmeza o punho, com os polegares e os dedos à volta dos punhos da electroserra. Com ambas as mãos na electroserra, posicione o corpo e o braço de modo a permitir resistência às forças de um contra-golpe.** As forças de um contra-golpe podem ser controladas pelo utilizador, se forem tomadas medidas de precaução apropriadas. Não largue a electroserra.
 - ◆ **Mantenha sempre o equilíbrio e não corte a uma altura superior à do seu ombro.** Isto ajuda a impedir um contacto involuntário da ponta e permite um melhor controlo da electroserra em situações inesperadas.

- ◆ **Utilize apenas barras de direcção e correntes de substituição especificadas pelo fabricante.** Uma incorrecta substituição das barras de direcção ou das correntes poderá provocar a quebra das correntes e/ou um contra-golpe.
- ◆ **Respeite as instruções de afiação e manutenção do fabricante para a corrente da serra.** Diminuir a altura do indicador de profundidade poderá originar um contra-golpe maior.
- ◆ Bater em metal, cimento ou outro material duro perto da madeira, ou furar a madeira, pode provocar um contra-golpe.
- ◆ Uma corrente desafiada ou solta pode provocar um contra-golpe.
- ◆ Não tente inserir a serra num corte anterior, uma vez que poderá causar um contra-golpe. Faça sempre um corte novo.

Recomendações de segurança para a electroserra

- ◆ Recomendamos que os utilizadores principiantes obtenham instruções práticas sobre a utilização da electroserra e equipamento de protecção junto de um utilizador experiente. A prática inicial deverá ser efectuada serrando um tronco num cavalete ou andaime.
- ◆ Efectue a manutenção da sua motosserra quando não estiver em utilização. Não armazene a electroserra por qualquer período de tempo sem antes remover a corrente e a barra de direcção que deverão ficar mergulhadas em óleo. Armazene todas as peças da electroserra num local seco, seguro e fora do alcance das crianças.
- ◆ Recomendamos que drene o depósito do óleo antes de armazenar.
- ◆ Tenha cuidado com os passos que dá e estabeleça uma saída de segurança de uma queda de árvore ou troncos.
- ◆ Utilize calços para ajudar a controlar o derrubamento e para evitar o bloqueamento da barra de direcção e da corrente na madeira.
- ◆ Cuidados a ter com a corrente. Mantenha a corrente afiada e bem colocada na barra de direcção. Certifique-se de que a corrente da serra e a barra de direcção estão limpas e bem oleadas. Mantenha as pegas secas, limpas e sem qualquer óleo ou gordura.

Evite cortar

- ◆ Madeira preparada.
- ◆ O chão.
- ◆ Aroles metálicos, pregos, etc.

Instruções de segurança adicionais

- ◆ Certifique-se de que, em caso de acidente, existe alguém por perto (mas a uma distância de segurança).

- ◆ Se, por qualquer motivo, tiver de tocar na corrente da serra, certifique-se de que a electroserra está desligada da tomada.
- ◆ O ruído produzido por este produto pode ultrapassar os 85 dB(A). Recomendamos que tome as devidas medidas para proteger os ouvidos.
- ◆ **Ao manusear o produto, a barra da corrente pode ficar quente; manuseie com cuidado.**

Segurança de terceiros

- ◆ Este aparelho não deve ser utilizado por pessoas (incluindo crianças) que apresentem capacidades físicas, sensoriais ou mentais reduzidas ou que não possuam os conhecimentos e a experiência necessários, excepto se forem vigiadas e instruídas acerca da utilização do aparelho por uma pessoa responsável pela sua segurança.
- ◆ As crianças deverão ser vigiadas para que não mexam no aparelho.

Riscos residuais.

Podem surgir riscos residuais adicionais durante a utilização da ferramenta que poderão não constar nos avisos de segurança incluídos. Estes riscos podem resultar de má utilização, uso prolongado, etc. Mesmo com a aplicação dos regulamentos de segurança relevantes e com a implementação de dispositivos de segurança, alguns riscos residuais não podem ser evitados. Incluem:

- ◆ ferimentos causados pelo contacto com peças em rotação/movimento.
- ◆ ferimentos causados durante a troca de peças, lâminas ou acessórios.
- ◆ ferimentos causados pela utilização prolongada de uma ferramenta. Quando utilizar uma ferramenta por períodos prolongados, faça intervalos regulares.
- ◆ Diminuição da audição.
- ◆ Os problemas de saúde causados pela inalação de poeiras resultantes da utilização da ferramenta (exemplo: trabalhos em madeira, especialmente carvalho, faia e MDF).

Vibração

Os valores de emissão de vibração declarados na secção de dados técnicos e na declaração de conformidade foram medidos de acordo com o método de teste padrão fornecido pela norma EN 60745 e podem ser utilizados para comparar ferramentas. O valor de emissão de vibração declarado pode ainda ser utilizado numa avaliação preliminar de exposição.

Atenção! O valor de emissão de vibração durante a utilização real da ferramenta eléctrica pode ser diferente do valor declarado, dependendo da forma como a ferramenta é utilizada.

O nível de vibração pode aumentar acima do nível indicado. Quando avaliar a exposição da vibração para determinar as medidas de segurança exigidas pela norma 2002/44/CE para proteger pessoas que utilizem regularmente ferramentas eléctricas na sua actividade profissional, deve ser considerada uma estimativa de exposição de vibração, as actuais condições de utilização e o modo de utilização da ferramenta, incluindo ainda todas as partes do ciclo de funcionamento, como os períodos de inactividade e espera da ferramenta, para além do tempo de funcionamento.

Rótulos na ferramenta

A ferramenta apresenta os seguintes pictogramas:



Atenção! Para reduzir o risco de ferimentos, o utilizador deve ler o manual de instruções.



Utilize óculos ou viseiras de protecção quando utilizar esta ferramenta.



Utilize protectores dos ouvidos quando utilizar esta ferramenta.



Não exponha a ferramenta à chuva ou humidade elevada.



A potência sonora cumpre a Directiva 2000/14/CE.



Remova imediatamente a ficha da tomada se o cabo estiver cortado ou danificado.



Atenção: Não aperte demasiado. Aperte à mão. Aperte apenas com os dedos.

Segurança eléctrica



Esta ferramenta tem isolamento duplo. Por esse motivo, não precisa de ligação à terra. Verifique sempre se a fonte de alimentação corresponde à tensão indicada na placa de especificações.

- ◆ Se o cabo de alimentação estiver danificado, terá de ser substituído pelo fabricante ou por um Centro de Assistência autorizado BLACK+DECKER, de modo a evitar lesões.

Utilizar um cabo de extensão

- ◆ Utilize sempre um cabo de extensão aprovado, adequado à entrada de alimentação da ferramenta (consulte os dados técnicos). O cabo de extensão tem de ser adequado para utilização exterior, possuindo a respectiva marcação. Pode utilizar um cabo de extensão HO7RN-F 2 X de 1.5 mm² até 30 m sem perda do desempenho do produto. Antes da utilização, verifique se o cabo de extensão apresenta sinais de envelhecimento, danos ou desgaste. Substitua o cabo de extensão se este se encontrar danificado ou avariado. Se utilizar um enrolador de cabos, desenrole sempre o cabo completamente.

Quebras de tensão

- ◆ Sob determinadas condições de alimentação, este produto poderá provocar quebras de tensão de curta duração durante o arranque.
- ◆ Poderão ser afectados outros equipamentos. Por exemplo, a intensidade das luzes eléctricas poderá ser temporariamente reduzida.
- ◆ Se necessário, contacte a autoridade fornecedora para determinar se a impedância da fonte de alimentação é inferior a 0.172/0.293 ohms. É pouco provável que ocorram perturbações nesta situação.

Protecção contra choques eléctricos

- ◆ Evite o contacto do corpo com superfícies ligadas à terra (por ex., postes metálicos, candeeiros, etc.). A segurança eléctrica pode ser melhorada mediante a utilização de um Dispositivo de Corrente Residual (RCD) de alta sensibilidade (30 mA/30mS).



Atenção! A utilização de um RCD ou de outro disjuntor não isenta o operador da motosserra das instruções de segurança e práticas de trabalho seguras fornecidas neste manual do utilizador.

Características

1. Interruptor ligar/desligar
2. Botão de bloqueio
3. Montagem da protecção frontal/travão da corrente
4. Barra de direcção
5. Corrente
6. Montagem da tampa da corrente
7. Maçaneta de bloqueio do ajuste da corrente
8. Roda de ajuste da tensão da corrente
9. Bainha da corrente
10. Cabo de alimentação
11. Fixador do cabo de alimentação
12. Tampa do óleo
13. Indicador de nível do óleo

Montagem



Atenção! Utilize sempre luvas de protecção ao trabalhar com a motosserra.



Atenção! Antes de efectuar qualquer montagem ou manutenção de uma ferramenta eléctrica, desligue-a e remova a ficha da tomada.



Atenção! Remova a braçadeira que fixa a corrente à barra da corrente antes da montagem.

Olear a corrente

Deverá efectuar este procedimento sempre que utilizar uma nova corrente (5) pela primeira vez. Antes da utilização, embeba a nova corrente (5) em óleo para corrente durante pelo menos uma hora. Utilize o óleo para corrente da BLACK+DECKER. Recomendamos que utilize sempre óleo BLACK+DECKER ao longo do período de vida da motosserra, uma vez que a mistura de diversos óleos poderá originar a degradação do óleo, o que poderá reduzir de forma dramática o período de vida da corrente da serra, originando riscos adicionais. Nunca utilize óleo usado, óleo pesado ou óleo de máquina de costura muito leve. Poderá danificar a motosserra.

Instalação da barra de direcção e da corrente. (fig. A - E)

- ◆ Coloque a motosserra numa superfície estável.
- ◆ Coloque a montagem da protecção frontal/travão da corrente (3) na posição de avanço (fig. A).
- ◆ Rode a maçaneta de bloqueio de ajuste da corrente (7) no sentido anti-horário para remover a montagem da tampa da corrente (6) (fig. B).

- ◆ Coloque a corrente (5) sobre a barra de direcção (4), certificando-se de que as lâminas da corrente da serra da parte superior da barra de direcção (4) ficam viradas para a frente (fig. C).
- ◆ Conduza a corrente (5) em torno da barra de direcção (4) e puxe-a para criar um laço num dos lados na extremidade posterior da barra de direcção (4).
- ◆ Conduza a corrente (5) em torno da roda dentada (14), alinhe a ranhura da barra de direcção e o orifício central da roda esticadora da corrente (16) com o parafuso (15) (fig. D).

Nota: rode a roda esticadora da corrente conforme necessário para alinhar o orifício central com o parafuso (15).

Atenção! Certifique-se de que a montagem da protecção frontal/travão da corrente (3) se encontra na posição de prontidão (para a frente) antes de voltar a montar (fig. A).

- ◆ Coloque a montagem da tampa da corrente (6) na motosserra.
- ◆ Certifique-se de que o entalhe (17) da montagem da tampa da corrente fica correctamente localizado na ranhura (18) da caixa principal (fig. E).
- ◆ Rode a maçaneta de bloqueio de ajuste da corrente (7) no sentido horário até ficar apertada.
- ◆ Verifique a tensão - consulte 'Verificação da tensão da corrente' abaixo.
- ◆ Se a corrente estiver pouco tensa, consulte 'Aumentar a tensão da corrente' abaixo.

Verificação da tensão da corrente (inserção da fig. F)

Antes da utilização e após cada 10 minutos de utilização, é necessário verificar a tensão da corrente.

- ◆ Desligue a ferramenta da corrente eléctrica
- ◆ Puxe suavemente a corrente (5), conforme indicado (inserção da fig. F). A tensão é a correcta quando a corrente (5) voltar a encaixar após ser afastada 3 mm da barra de direcção (4). Não deverá existir qualquer "folga" entre a barra de direcção (4) e a corrente (5) no lado inferior (fig. G).

Aumentar a tensão da corrente (fig. B)

- ◆ Afrouxe a maçaneta de bloqueio do ajuste da corrente (7) meia volta no sentido anti-horário.
- ◆ Rode a roda de ajuste da tensão da corrente (8) no sentido horário, até sentir uma ligeira resistência.
- ◆ Verifique a tensão - consulte 'Verificação da tensão da corrente'.
- ◆ Se for satisfatória, volte a apertar a maçaneta de bloqueio (7) ou, se for necessária uma tensão maior, rode a roda de ajuste (8). Em seguida, volte a apertar a maçaneta de bloqueio (7).

Nota: Não estique demasiado a corrente pois originará um desgaste excessivo, reduzindo a duração da barra de direcção e da corrente.

Nota: Quando a corrente é nova, verifique a tensão com frequência (após desligar da corrente) durante as primeiras 2 horas de utilização, uma vez que as correntes novas esticam ligeiramente.

Utilização

Atenção! Não altere o ritmo de funcionamento da ferramenta. Não a sobrecarregue.

Encher o depósito de óleo (fig. H)

- ◆ Remova a tampa do óleo (12) e encha o depósito com o óleo para corrente recomendado. Poderá consultar o nível do óleo no indicador de nível do óleo (13). Volte a montar a tampa do óleo (12).
- ◆ Periodicamente, desligue e verifique o indicador de nível do óleo (13); se estiver a menos de um quarto, desligue a motosserra da corrente eléctrica e ateste com o óleo correcto.

Esta motosserra encontra-se equipada com um sistema automático de lubrificação, que mantém a corrente da serra e a barra de direcção permanentemente lubrificadas. Recomendamos que utilize sempre óleo BLACK+DECKER ao longo do período de vida da motosserra, uma vez que a mistura de diversos óleos poderá originar a degradação do óleo, o que poderá reduzir de forma dramática o período de vida da corrente da serra, originando riscos adicionais. Nunca utilize óleo usado, óleo pesado ou óleo de máquina de costura muito leve. Estes óleos podem danificar a sua motosserra. Utilize apenas a classe correcta de óleo (cat. n.º A6023-QZ).

- ◆ Durante a utilização, a corrente da serra alimenta automaticamente a corrente com óleo.

Como configurar o travão da corrente (fig. A)

- ◆ Certifique-se de que a ferramenta se encontra desligada da corrente eléctrica.
- ◆ Volte a colocar a montagem da protecção frontal/travão da corrente (3) na posição "pronta" (fig. A).
- ◆ A ferramenta encontra-se pronta a utilizar.

Ligar

Nota: Não será possível ligar a ferramenta se a montagem da protecção frontal/travão da corrente não se encontrar na posição "pronta".

- ◆ Agarre firmemente na motosserra com ambas as mãos. Empurre o botão de bloqueio (2) e carregue no interruptor ligar/desligar (1) para arrancar.

- ◆ Quando o motor arrancar, retire o polegar do botão de bloqueio (2) e agarre no punho com firmeza. Não force a ferramenta, antes permitindo que funcione ao seu próprio ritmo. O trabalho resultará melhor e mais seguro à velocidade para que foi concebida. Um excesso de força fará esticar a corrente da serra (5).

Funcionamento do travão da corrente anti-contra-golpe

Em caso de contra-golpe, a mão esquerda entra em contacto com a protecção frontal empurrando-a para a frente, em direcção à peça de trabalho, fazendo parar a ferramenta numa fracção de segundo.

Como testar o travão da corrente anti-contra-golpe (fig. A)

- ◆ Antes da utilização, verifique sempre se o travão anti-contra-golpe funciona correctamente.
- ◆ Agarre firmemente na ferramenta com ambas as mãos sobre uma superfície firme, certificando-se de que a corrente da serra (5) não toca no chão, e ligue-a (consulte "Como ligar a motosserra").
- ◆ Rode a mão esquerda para a frente, em torno do punho frontal, de modo a que a parte de trás da mão entre em contacto com a montagem da protecção frontal/travão da corrente (3) e empurre-a para a frente, em direcção à peça de trabalho (fig. A). A corrente da serra (5) deverá parar numa fracção de segundo.

Para efectuar a reposição após o funcionamento da montagem da protecção frontal/travão da corrente (3), siga as instruções em "Como configurar o travão da corrente".

Nota: Evite reiniciar a ferramenta até que o motor parar completamente.

Nota: Se o travão da corrente avariar, leve o produto a um centro de assistência autorizado BLACK+DECKER.

Se a corrente da serra (5) ou a barra de direcção (4) encravarem

- ◆ Desligue a ferramenta.
- ◆ Desligue a ferramenta da corrente eléctrica.
- ◆ Abra o corte com cunhas para aliviar a tensão da barra de direcção (4). Não tente libertar a motosserra à força.
- ◆ Inicie um novo corte.

Corte de árvores (fig. I - K)

Os utilizadores inexperientes não deverão tentar cortar árvores. O utilizador poderá sofrer lesões ou provocar estragos materiais em resultado da perda de controlo da direcção da queda, a árvore poderá lascar ou poderão cair ramos danificados ou mortos durante o corte. A distância de segurança entre um ramo a derrubar e as pessoas presentes, edifícios e outros objectos corresponde no mínimo a 2 1/2 vezes a altura da árvore. Qualquer pessoa, edifício ou objecto que não se encontre a esta distância corre o risco de ser atingido pela árvore quando derrubada.

Antes de tentar derrubar uma árvore:

- ◆ Certifique-se de que não existem quaisquer leis ou regulamentações locais que impeçam ou regulem o derrube da árvore.
- ◆ Analise todos os elementos que possam afectar a direcção da queda, incluindo:
 - ◆ A direcção pretendida da queda.
 - ◆ A inclinação natural da árvore.
 - ◆ A existência de alguma estrutura ou apodrecimento de um ramo pesado.
 - ◆ As árvores e obstáculos envolventes, incluindo linhas suspensas e canalizações subterrâneas.
 - ◆ A velocidade e direcção do vento.

Planeie antecipadamente uma saída segura para escapar a árvores ou ramos em queda. Certifique-se de que o caminho não possui obstáculos que possam impedir ou reduzir o movimento. Lembre-se de que a relva molhada e as cascas de árvore cortadas recentemente podem ser escorregadias.

- ◆ Não tente derrubar árvores cujo diâmetro seja superior ao comprimento de corte da electroserra.
- ◆ Faça um corte de direcção para determinar a direcção da queda.
- ◆ Faça um corte horizontal com uma profundidade entre 1/5 e 1/3 do diâmetro da árvore, perpendicularmente à linha da queda na base da árvore (fig. I).
- ◆ Faça um segundo corte a partir de cima, de modo a intersectar o primeiro, fazendo um entalhe com cerca de 45°.
- ◆ Faça um único corte de abate horizontal no outro lado, 25 a 50 mm acima do centro do entalhe de direcção. (fig. J). Não corte até ao entalhe de direcção, pois poderá perder o controlo da direcção da queda.
- ◆ Insira uma ou várias cunhas no corte de abate, de modo a abri-lo e provocar a queda da árvore (fig. K).

Podar árvores

Certifique-se de que a legislação e regulamentos locais não proibem nem controlam a poda de ramos de árvores. A poda apenas deverá ser efectuada por utilizadores experientes, pois existe um maior risco de a corrente da serra ficar presa e libertar um contra-golpe.

Antes da poda, deverão ser tomadas em consideração as condições que afectam a direcção da queda, incluindo:

- ◆ O comprimento e peso do ramo a cortar.
- ◆ A existência de alguma estrutura ou apodrecimento de perna pesada.
- ◆ Árvores e obstáculos envolventes, incluindo linhas aéreas.
- ◆ A velocidade e direcção do vento.

- ◆ O ramo estar entrelaçado com outros ramos. O utilizador deverá tomar em consideração o acesso ao ramo da árvore e a direcção da queda. É provável que o ramo da árvore oscile em direcção ao tronco da árvore. Para além do utilizador, as pessoas, objectos e propriedade sob o ramo correm riscos.
- ◆ Para evitar a criação de lascas, efectue o primeiro corte para cima a uma profundidade máxima de um terço do diâmetro do ramo.
- ◆ Faça o segundo corte para baixo, ao encontro do primeiro.

Corte de árvores em toros (fig. L - O)

A forma de corte depende do modo como o tronco é apoiado. Sempre que possível, utilize um cavalete de serração. Inicie sempre o corte com a corrente da serra em movimento e o amortecedor de pontas (20) em contacto com a madeira (fig. L). Para concluir o corte, utilize um movimento giratório do amortecedor de pontas contra a madeira.

Quando suportado ao longo de todo o respectivo comprimento:

- ◆ Efectue um corte para baixo, mas evite cortar a terra, pois tal tornará a corrente da sua serra romba rapidamente.

Quando apoiado em ambas as extremidades:

- ◆ Primeiro, corte um terço para evitar que a madeira lasque e, depois, efectue um novo corte que vá de encontro ao primeiro.

Quando apoiado numa extremidade:

- ◆ Em primeiro lugar, corte um terço para cima de modo a evitar que a madeira lasque e, em segundo lugar, corte para baixo para evitar que a madeira lasque.

Quando está num declive:

- ◆ Coloque-se sempre do lado ascendente.

Ao tentar cortar um tronco no chão (fig. M):

- ◆ Fixe a peça de trabalho utilizando calços ou cunhas. Nem o utilizador nem nenhum assistente deverão estabilizar o tronco sentando-se ou colocando-se em pé sobre ele. Certifique-se de que a corrente da serra não entra em contacto com o chão.

Ao utilizar um cavalete de serração (fig. N):

Este procedimento deverá ser utilizado sempre que possível.

- ◆ Posicione o tronco numa posição estável. Corte sempre do lado de fora dos braços do cavalete. Utilize tomos ou correias para fixar a peça de trabalho.

Arrancar ramos de árvores (fig. O)

Remover os ramos de uma árvore caída. Ao arrancar ramos de árvores, deixe os maiores ramos inferiores para apoiar o tronco junto ao chão. Remova os ramos pequenos com um só corte. Os ramos sob tensão devem ser cortados da base para o topo do ramo, de modo a evitar o bloqueio da motosserra. Corte os ramos partindo do lado oposto e mantenha o tronco entre si e a serra. Nunca corte com a serra entre as pernas nem se sente sobre o ramo a cortar.

Resolução de problemas

Problema	Causa possível	Possível solução
A ferramenta não arranca	Botão de bloqueio não premido.	Prima o botão de bloqueio.
	Protecção frontal na posição de travagem	Reponha a protecção frontal
	Fusível queimado	Substitua o fusível
	RCD desengatado	Verifique o RCD
Cabo TMains desligado	Verifique a ligação eléctrica	
A corrente não pára no prazo de 2 segundos quando a ferramenta é desligada	A tensão da corrente está demasiado folgada	Verificar tensão da corrente
Barra/corrente quente/com fumo	Depósito de óleo vazio	Verificar nível do depósito de óleo
	Orifício do óleo bloqueado na barra da corrente	Limpar orifício do óleo (21 - fig. E) e desobstrua a ranhura à volta da extremidade da barra da corrente.
	A tensão da corrente está demasiado apertada	Verificar tensão da corrente
A motosserra não corta bem	A ponta da roda dentada da barra de direcção necessita de lubrificação	Lubrificar ponta da roda dentada da barra de direcção
	A corrente roda para trás	Verificar/modificar direcção da corrente
		Afiar

Problema	Causa possível	Possível solução
A electroserra não está a usar o óleo	Detritos no depósito	Esvaziar óleo do depósito e reabastecer
	Orifício de óleo bloqueado na tampa	Remover detritos do orifício
	Detritos na barra da corrente	Remova os detritos e limpe a barra da corrente
	Detritos na saída de óleo	Remova os detritos

Manutenção

A manutenção regular prolonga o período de utilização eficaz da ferramenta. Recomendamos que efectue as seguintes inspecções regularmente.

Atenção! Antes de proceder a qualquer acção de manutenção em ferramentas eléctricas com cabo/sem fios:

- ◆ Desligue a ferramenta da alimentação principal.

Nível do óleo

Não deverá permitir que o nível do depósito desça abaixo de um quarto da capacidade.

Corrente da serra e barra de direcção (fig. F)

- ◆ Após algumas horas de utilização e antes do armazenamento, remova a barra de direcção (4) e a corrente da serra (5) e limpe-as cuidadosamente.
- ◆ Certifique-se de que a protecção se encontra limpa e livre de detritos.
- ◆ Ao voltar a montar, rode a barra de direcção (4) em 180°, remova a roda esticadora da corrente com uma chave de fendas e volte a fixá-la no lado oposto da barra de direcção.

Atenção! Não aperte demasiado.

- ◆ Oleie a ponta da roda dentada através do orifício de lubrificação da roda dentada (19), para garantir uma distribuição equilibrada do desgaste em torno dos trilhos da barra de direcção.

Afiar a corrente da serra

Se pretende obter os melhores resultados desta ferramenta, é importante manter os dentes da corrente da motosserra afiados. As directrizes deste procedimento encontram-se na embalagem do amolador. Para este fim, recomendamos a aquisição do kit para afiar correntes de serra BLACK+DECKER (disponível nos agentes de serviço BLACK+DECKER e em revendedores seleccionados).

Substituir correntes de serra gastas

As correntes de serra sobresselentes são disponibilizadas pelos revendedores ou agentes de serviço BLACK+DECKER. Utilize sempre peças sobresselentes genuínas.

Gume da corrente da serra

As lâminas da corrente da serra ficarão imediatamente rombas se tocarem no solo ou num prego durante o corte.

Tensão da corrente

Verifique regularmente a tensão da corrente da serra.

O que fazer se a sua electroserra necessitar de reparação.

A sua motosserra foi fabricada em conformidade com os requisitos de segurança aplicáveis. As reparações só deverão ser efectuadas por um profissional qualificado, utilizando peças sobresselentes originais. Caso contrário, o utilizador poderá correr sérios riscos. Recomendamos que guarde este manual do utilizador num local seguro.

Substituição da ficha de alimentação (apenas Reino Unido e Irlanda)

Se for necessário instalar uma nova ficha de alimentação:

- ◆ Elimine com segurança a ficha antiga.
- ◆ Ligue o cabo castanho ao terminal electricificado na nova ficha.
- ◆ Ligue o cabo azul ao terminal neutro.

Atenção! Não é necessário efectuar qualquer ligação ao terminal de terra. Siga as instruções de montagem fornecidas com fichas de boa qualidade. Fusível recomendado: 13 A.

Protecção do ambiente



Recolha separada. Este produto não deverá ser eliminado com o lixo doméstico.

Se, em algum momento, for necessário substituir este produto BLACK+DECKER ou se este deixar de ter utilidade, não elimine o produto num caixote do lixo. Este produto pode ser separado para reciclagem.



A recolha separada de produtos e embalagens usados permite que os materiais sejam reciclados e reutilizados. A reutilização de materiais reciclados ajuda a evitar a poluição ambiental e reduz a procura de matérias-primas.

Las normativas municipales deben ofrecer la recogida selectiva de productos eléctricos del hogar en puntos municipales previstos para tal fin o a través del distribuidor cuando adquiera un nuevo producto.

BLACK+DECKER proporciona facilidades para la recogida y reciclado de los productos BLACK+DECKER que han llegado al final de su vida útil. Para poder utilizar este servicio, le rogamos que entregue el producto a cualquier agente de servicio técnico autorizado para que se haga cargo de él en nuestro nombre.

Para consultar la dirección del agente de servicio técnico más cercano, póngase en contacto con la oficina local de BLACK+DECKER en la dirección que se indica en este manual. Por otro lado, encontrará una lista de los talleres de reparación autorizados de BLACK+DECKER y todos los detalles de nuestro servicio de posventa y los contactos disponibles en Internet, en: www.2helpU.com

Ficha técnica

		CS2040 (Tipo 1)	CS2245 (Tipo 1)
Voltaje	V _{ac}	230 V	230 V
Entrada de potencia	W	2000 W	2200 W
lengte	mm	400	450
Velocidad de la cadena (sin carga)	m/s	12.5 m/s	12.5 m/s
Máxima longitud de corte	mm	397	436
veiligheid klaseCapacidad de aceite	ml	200 ml	150 ml
Peso	kg	5.5	5.66
klassede seguridad		II	II

Nivel de presión acústica de acuerdo con la norma EN 60745:
L _{PA} (presión acústica) 85.7/95 dB(A), Incertidumbre (K) 3/2.5dB(A)
L _{WA} (potencia acústica) 102.1/106 dB(A), Incertidumbre (K) 3/2.5 dB(A)

Valores totales de vibración (suma vectorial triaxial) de acuerdo con la norma EN 60745:
Valor de emisión de vibraciones (a _v) 4.5/5.5m/s ² , Incertidumbre (K) 1.5m/s ²

**Declaración de conformidad de la
CEDIRECTIVA DE MAQUINARIAS DIRECTIVA
SOBRE LA EMISIÓN DE RUIDO EN
EXTERIORES**



CS2040/CS2245

Black & Decker declara que los productos descritos en la "ficha técnica" cumplen con las siguientes directivas:
2006/42/CE, EN 60745-1, EN 60745-2-13
2006/42/CE, Sierra de cadena, Anexo IV

TÜV Rheinland LGA Products GmbH;
Tillystraße 2 D - 90431 Nürnberg, Germany;

N.º de ID del departamento notificado: 0197

Nivel de potencia acústica de acuerdo con la directiva
2000/14/CE (Artículo 13, Anexo III):

L_{WA} (potencia acústica medida) 102.1/106 dB(A)

Incertidumbre (K) 3/2.5 dB(A)

L_{WA} (potencia acústica garantizada) 109/110 dB(A)

Estos productos también cumplen con las directivas 2014/30/UE y 2011/65/UE. Si desea obtener más información, póngase en contacto con Black & Decker a través de la siguiente dirección o consulte la contracubierta del manual. El abajo firmante es responsable de la elaboración del expediente técnico y realiza esta declaración en nombre de Black & Decker.

R. Laverick
Engineering Manager
Black & Decker Europa, 210 Bath Road, Slough,
Berkshire, SL1 3YD
Reino Unido
10/09/2014

Garantia

A Black & Decker confia na qualidade dos seus produtos e oferece uma garantia ímpar. Esta declaração de garantia é um complemento dos seus direitos estabelecidos por lei, não os prejudicando de forma alguma. A garantia é válida nos territórios dos Estados Membros da União Europeia e da Associação Europeia de Comércio Livre.

Se um produto Black & Decker avariar devido a defeitos de material, fabrico ou não conformidade, num período de 24 meses após a data da compra, a Black & Decker garante a substituição das peças defeituosas, a reparação de produtos sujeitos a um desgaste aceitável ou a substituição dos mesmos para garantir o mínimo de inconvenientes ao cliente, excepto se:

- ◆ o produto tiver sido utilizado para fins comerciais, profissionais ou de aluguer;
- ◆ o produto tiver sido submetido a utilização indevida ou negligência;
- ◆ o produto tiver sido danificado por objectos ou substâncias estranhos, bem como acidentes;
- ◆ tiverem sido tentadas reparações por pessoas que não sejam agentes de reparação autorizados ou técnicos de manutenção da Black & Decker.

Para accionar a garantia, terá de apresentar comprovativos de compra ao vendedor ou a um agente de reparação autorizado. Pode verificar a localização do agente de reparação autorizado mais perto de si, contactando os escritórios locais da Black & Decker através do endereço indicado neste manual. Se preferir, poderá consultar na Internet uma lista de agentes de manutenção autorizados Black & Decker, bem como os detalhes completos e contactos do serviço pós-venda, no endereço: www.2helpU.

com Visite o website www.blackanddecker.pt para registar o seu novo produto BLACK+DECKER e para se manter actualizado sobre novos produtos e ofertas especiais. É possível consultar informações adicionais sobre a marca BLACK+DECKER e a nossa gama de produtos em www.blackanddecker.pt

Användningsområde

Denna kedjesåg från BLACK+DECKER™ är avsedd för trädfällning, beskärning och vedkapning. Verkytet är endast avsett som konsumentverkyty.

Säkerhetsföreskrifter

Allmänna säkerhetsanvisningar för elverkyty



Varning! Läs alla säkerhetsföreskrifter och alla anvisningar. Fel som uppstår till följd av att säkerhetsföreskrifterna och anvisningarna nedan inte följts kan orsaka elstöt, brand och/eller allvarliga kroppsskador.

Spara alla säkerhetsanvisningar och anvisningar för framtida bruk.

Begreppet "elverkyty" nedan syftar på nätdrivna elverkyty (med nätsladd) och batteridrivna elverkyty (sladdlösa).

1. Säkerhet i arbetsområdet

- Håll arbetsområdet rent och väl upplyst.** Oordning och dålig belysning på arbetsplatsen kan leda till olyckor.
- För att undvika explosionsrisk bör du inte använda elverkytet i omgivning med brännbara vätskor, gaser eller damm.** Elverkyty alstrar gnistor som kan antända dammet eller gaserna.
- Håll barn och andra personer på betryggande avstånd när du använder elverkyty.** Om du störs kan du förlora kontrollen.

2. Elsäkerhet

- Elverkytets stickkontakt måste passa i eluttaget.** Stickkontakten får absolut inte ändras. Använd inte adapterkontakter tillsammans med jordade elverkyty. Med oförändrade stickkontakter och passande vägguttag minskas risken för elstöt.
- Undvik kroppskontakt med jordade ytor som t.ex. rör, värmeelement, spisar och kylskåp.** Det finns en större risk för elstöt om din kropp är jordad.
- Skydda elverkytet mot regn och väta.** Om vatten tränger in i ett elverkyty ökar risken för elektriska stötar.
- Hantera inte nätsladden ovarsamt. Använd inte sladden för att bära eller dra elverkytet och inte heller för att dra ut kontakten ur vägguttaget.** Håll nätsladden borta från värme, olja, skarpa kanter och rörliga maskindelar. Risken att du får en elstöt är större om sladdarna är skadade eller tillrasslade.
- Använd endast förlängningssladdar som är godkända för utomhusbruk när du arbetar med elverkyty utomhus.** Om du använder en förlängningssladd som är avsedd för utomhusbruk minskar risken för att du ska få en elstöt.

- Om du måste använda ett elverkyty på en fuktig plats ska du använda jordfelsbrytare.** Jordfelsbrytaren minskar risken för stöt.

3. Personlig säkerhet

- Var uppmärksam, se på vad du gör och använd elverkytet med förnuft. Använd inte elverkytet när du är trött eller om du är påverkad av droger, alkohol eller mediciner.** Under användning av elverkyty kan även en kort uppmärksamhet leda till allvarliga kroppsskador.
- Använd skyddsutrustning. Bär alltid skyddsglasögon.** Den personliga skyddsutrustningen, t.ex. dammfiltermask, halkfria säkerhetsskor, hjälm och hörselskydd, minskar risken för kroppsskada när den används vid rätt tillfällen.
- Undvik oavsiktlig igångsättning. Kontrollera att strömbrytaren står i avstängt läge innan du ansluter verkytet till elnätet eller sätter i batteriet samt innan du tar upp eller bär verkytet.** Det kan vara mycket farligt att bära ett elverkyty med fingret på strömbrytaren eller koppla det till nätet respektive sätta i batteriet med strömbrytaren i till-läge.
- Ta bort alla inställningsverkyty och skruvnycklar innan du startar elverkytet.** Ett verkyty eller en nyckel i en roterande komponent kan medföra kroppsskada.
- Sträck dig inte för långt. Se till att du alltid har säkert fotfäste och balans.** På så sätt kan du lättare kontrollera elverkytet i oväntade situationer.
- Bär lämpliga kläder. Bär inte löst hängande kläder eller smycken.** Håll undan hår, kläder och handskar från rörliga delar. Löst hängande kläder, smycken och långt hår kan dras in av roterande delar.
- Om elverkytet har utrustning för dammsugning och -uppsamling ska du kontrollera att utrustningen är rätt monterad och används på korrekt sätt.** Utrustningen kan minska riskerna när damm bildas.

4. Bruk och skötsel av elverkyty

- Överbelasta inte elverkytet. Använd rätt elverkyty för det aktuella arbetet.** Med rätt elverkyty kan du arbeta bättre och säkrare med det som verkytet är avsett för.
- Använd inte elverkytet om det inte går att starta och stänga av det med strömbrytaren.** Ett elverkyty som inte kan slås av och på är farligt och måste repareras.
- Dra ut stickproppen ur vägguttaget och/eller ta ut batteriet ur elverkytet innan inställningar utförs, tillbehör byts eller elverkytet ställs undan.** Denna säkerhetsåtgärd förhindrar oavsiktlig start av elverkytet.
- Förvara elverkyty utom räckhåll för barn. Låt inte elverkytet användas av personer som inte är vana vid det, eller som inte läst denna bruksanvisning.** Elverkyty är farliga om de används av oerfarna personer.

- e. Sköt elverktuget omsorgsfullt. Kontrollera att rörliga komponenter fungerar felfritt och inte kärvar, att komponenter inte gått sönder eller skadats och inget annat föreligger som kan påverka elverktugets funktion. Om elverktuget är skadat ska du se till att få det reparerat innan det används. Många olyckor orsakas av dåligt skötta elverktyg.
- f. Håll skärverktyg vassa och rena. Omsorgsfullt skötta skärverktyg med skarp egg fastnar inte så lätt och går lättare att styra.
- g. Använd elverktuget, tillbehör, insatsverktyg osv. enligt dessa anvisningar och på sätt som föreskrivits för aktuell verktygsmodell. Ta hänsyn till arbetsvillkoren och arbetsmomenten. Om elverktuget används på icke ändamålsenligt sätt kan farliga situationer uppstå.

5. Service

- a. Elverktuget ska bara repareras av utbildade reparatörer och med originalreservdelar. Detta säkerställer att elverktuget förblir säkert.

Ytterligare säkerhetsanvisningar för elverktyg



Varning! Extra säkerhetsföreskrifter för motorsågar

- ◆ Håll undan alla kroppsdelar från kedjan när sågen är igång. Se till att kedjan inte vidrör något innan du startar sågen. Bara ett ögonblicks uppmärksamhet när du använder kedjesågar kan leda till att kläder eller delar av kroppen fastnar i kedjesågen.
- ◆ Håll alltid kedjesågen med din högra hand på det bakre handtaget och din vänstra hand på det främre handtaget. Håll aldrig sågen med händerna i omvänd ordning eftersom risken för personskador då ökar.
- ◆ Håll endast elverktuget i de isolerade greppytorna eftersom det finns risk för att sågkedjan kommer i kontakt med sin egen nätsladd. Om en sågkedja får kontakt med strömförande ledningar kan verktygets metalldelar bli strömförande och ge dig en elektrisk stöt.
- ◆ Använd skyddsglasögon och hörselskydd. Ytterligare skyddsutrustning för huvud, händer, ben och fötter rekommenderas. Lämpliga skyddskläder minskar personskador till följd av flygande avfall eller oavsiktlig kontakt med sågens kedja.
- ◆ Använd inte sågen uppe i träd. Användning av en kedjesåg uppe i träd kan orsaka personskada.
- ◆ Se alltid till att ha ordentligt fotfäste och stå på ett stadigt, säkert och jämnt underlag när du använder kedjesågen. Hala eller instabila underlag som t.ex. stegar kan få dig att tappa balansen eller kontrollen över sågen.

- ◆ Var uppmärksam på att en spänd gren som sågas av kan fjädra tillbaka. När spänningen i träfibren släpper kan den fjädrande grenen träffa den som sågar och/eller slå kedjesågen ur händerna.
- ◆ Iaktta stor försiktighet vid kapning av buskar och unga träd. Tunna grenar kan fastna i kedjan och slå tillbaka mot dig eller få dig att tappa balansen.
- ◆ Bär kedjesågen i det främre handtaget och se till att den är avstängd och att kedjan inte kommer i kontakt med kroppen. Se alltid till att svärdskyddet är på under transport eller förvaring. Om kedjesågen hanteras på rätt sätt minskas risken för oavsiktlig kontakt med kedjan när den är i rörelse.
- ◆ Följ anvisningarna för smörjning, kedjespänning och byte av tillbehör. En felaktigt spänd eller smord kedja kan gå av eller medföra ökad risk för kast
- ◆ Håll handtagen torra, rena och fria från olja och fett. Feta, oljiga handtag är hala och kan göra verktyget svårhanterligt.
- ◆ Säg endast i trä. Använd inte sågen till annat än det den är avsedd för. Exempel: Använd den inte till att såga plast, murverk eller byggmaterial som inte är av trä. Användning av sågen på annat sätt än det avsedda kan framkalla fara.

Orsaker till kast och hur man förebygger dessa

Kast kan uppstå om svärdets nos eller spets kommer i kontakt med ett föremål, eller om träet sluter sig och nyper kedjan i skåran. Spetskontakt kan i vissa fall orsaka en plötslig omvänd reaktion så att svärdet slås uppåt och bakåt mot användaren. Om kedjan nyps längs svärdets översida kan svärdet hastigt slungas bakåt mot användaren. Båda dessa reaktioner kan få dig att tappa kontrollen över sågen, vilket kan leda till allvarlig personskada. Förlita dig inte enbart på sågens inbyggda säkerhetsanordningar. Du bör vidta flera skyddsåtgärder för att undvika olyckshändelser och skador när du använder sågen. Kast uppstår till följd av felaktig användning och/eller hantering av sågen. Detta kan undvikas genom de skyddsåtgärder som beskrivs nedan:

- ◆ Se till att du har ett fast grepp med tummarna och fingrarna ordentligt omslutna om handtagen. Håll sågen med båda händerna och inta en kropps- och armställning så att du kan stå emot kraften från eventuella kast. Kraften i kast kan bemästras av användaren om nödvändiga skyddsåtgärder vidtagits. Släpp inte sågen.
- ◆ Sträck dig inte för långt, och såga aldrig ovanför din axelhöjd. Det minskar risken för oavsiktlig spetskontakt och ger dig bättre kontroll över sågen i oväntade situationer.
- ◆ Använd endast svärd och kedjor som anges av tillverkaren när du byter ut dem. Byte till fel svärd eller kedja kan leda till att kedjan går av och/eller att kast uppstår.

- ◆ **Följ tillverkarens anvisningar för slipning och underhåll av kedjan.** Minskning av riktskärets djup kan medföra ökat kast.
- ◆ Kast kan orsakas av att man stöter emot metall, cement eller annat hårt material i närheten av eller inuti träet.
- ◆ En slö eller ospänd kedja kan orsaka kast.
- ◆ För inte in sågen i en gammal skåra. Det kan orsaka kast. Börja alltid med ett nytt skår.

Säkerhetsrekommendationer för kedjesågen

- ◆ Vi rekommenderar starkt att ovana användare får praktiska instruktioner från en erfaren användare om hur sågen och skyddsutrustningen ska användas. Den inledande övningen bör vara att såga ved på en sågbock eller i en hållare.
- ◆ Sköt om kedjesågen när den inte är i bruk. Lägg inte undan sågen under längre tid utan att först ta bort kedjan och svärdet, som bör förvaras i olja. Förvara sågens delar på ett torrt och säkert ställe, utom räckhåll för barn. ◆ Vi rekommenderar att du tömmer oljebehållaren innan sågen läggs i förvar.
- ◆ Se till att du har ordentligt fotfäste och förbered en flyktväg från fallande träd eller grenar.
- ◆ Använd kilar för att få kontroll över fällningen och för att undvika att svärdet och sågkedjan kläms fast i skåran.
- ◆ Skötsel av kedjan. Kedjan skall vara vass och tätt spänd mot svärdet. Se till att kedjan och svärdet är rena och väl inoljade. Håll handtagen torra, rena och fria från olja och fett.

Undvik att såga i

- ◆ Bearbetat timmer.
- ◆ Marken.
- ◆ Trädstängsel, spik o.s.v.

Ytterligare säkerhetsinstruktioner

- ◆ Se till att ha någon i närheten (på säkert avstånd) om olyckan är framme.
- ◆ Om du av någon anledning måste vidröra kedjan, se först till att sågen inte är ansluten till eluttaget.
- ◆ Detta verktyg kan nå en bullernivå över 85 dB(A). Vi rekommenderar därför att du vidtar lämpliga åtgärder för att skydda din hörsel.
- ◆ **Svärdet kan bli varmt när produkten används. Hantera det varsamt. Andras säkerhet**
- ◆ Redskapet ska inte användas av personer (inklusive barn) med nedsatt fysisk eller psykisk förmåga eller bristande erfarenhet och kunskap, om de inte får vägledning och övervakas av en person som ansvarar för deras säkerhet.
- ◆ Barn ska hållas under uppsikt så att de inte leker med verktyget.

Övriga risker.

Ytterligare risker som inte finns med i de bifogade säkerhetsanvisningarna kan uppstå när verktyget används. Dessa risker kan uppstå vid felaktig användning, långvarig användning, o.s.v. Även om alla relevanta säkerhetsanvisningar följs och säkerhetsanordningar används kan vissa ytterligare risker inte undvikas. Dessa innefattar:

- ◆ Skador orsakade av att roterande/rörliga delar vidrörs.
- ◆ Skador som uppstår vid byte av delar, blad eller tillbehör.
- ◆ Skador som orsakas av långvarig användning av ett verktyg. Se till att ta regelbundna raster när du använder ett verktyg under en längre period.
- ◆ Skador på hörseln.
- ◆ Hälsorisker orsakade av inandning av damm när verktyget används (exempel: arbete med trä, särskilt ek, bok och MDF).

Vibrationer

De uppgivna vibrationsvärdena i avsnitten Tekniska data och EG-deklaration om överensstämmelse har uppmätts i enlighet med en standardtestmetod föreskriven i EN 60745 och kan användas för jämförelse med andra verktyg. Det angivna vibrationsvärdet kan även användas för en preliminär bedömning av exponeringen.

Varning! Vibrationsvärdet under faktisk användning av elverktyget kan skilja sig från det uppgivna värdet beroende på hur verktyget används. Vibrationsnivån kan överstiga den uppgivna nivån.

Vid uppskattning av vibrationsexponering i syfte att bedöma vilka säkerhetsåtgärder som är nödvändiga enligt 2002/44/EG för att skydda personer som regelbundet använder elverktyg i arbetet ska man utgå från de faktiska omständigheter under vilka elverktyget används och sättet på vilket det används. Bedömningen ska även ta hänsyn till alla moment i arbetscykeln, t.ex. när verktyget är avstängt och när det går på tomgång såväl som när det faktiskt används.

Etiketter på verktyget

Följande symboler finns på redskapet:



Varning! Läs bruksanvisningen före användning för att minska risken för olyckor.



Bär alltid skyddsglasögon när du använder verktyget.



Bär alltid hörselskydd när du använder verktyget.



Utsätt inte verktyget för regn och väta.



Garanterad ljudnivå enligt direktiv 2000/14/EG.



Dra omedelbart ur sladden om den skadas eller sågas av.



Varning: Spänn inte kedjan för hårt. Dra åt för hand. Dra endast åt för hand.

Elsäkerhet



Eftersom redskapet är dubbelisolerat behövs ingen jordledare. Kontrollera alltid att nätspänningen överensstämmer med värdet på typskylten.

- Om nätsladden är skadad måste den bytas ut av tillverkaren eller en auktoriserad BLACK+DECKER-verkstad för att undvika fara.

Använda förlängningssladd

- Använd alltid en godkänd förlängningssladd som klarar verktygets ineffekt (se Tekniska data). Förlängningssladden måste vara lämplig för utomhusbruk och märkt därefter. Det går att använda en 2 × 1.5 mm² HO7RN-F-förlängningssladd som är upp till 30 m lång utan att produktens prestanda försämras. Innan du använder sladden kontrollerar du att den inte är skadad, sliten eller nött. Byt ut förlängningssladden om den är skadad eller defekt. När du använder en sladdvinda ska du alltid dra ut hela sladden.

Spänningsfall

- Under vissa driftförhållanden kan verktyget orsaka kortvariga spänningsfall när det slås på.
- Andra enheter kan påverkas. Till exempel kan ljusstyrkan hos elektriska lampor minska tillfälligt.
- Kontakta vid behov elleverantören för att avgöra om strömkällans impedans är lägre än 0.172/0.293ohm. Under dessa förhållanden är det ovanligt att störningar förekommer.

Förebygg risk för elektriska stöt

- Undvik kroppskontakt med jordade ytor (t.ex. metallrärcken, lyktstolpar m.m.). Elsäkerheten kan förbättras ytterligare om en jordfelsbrytare med hög känslighet (30 mA/30 mS) används.



Varning! Även om jordfelsbrytare används ansvarar användaren av sågen för att säkerhets- och hanteringsanvisningarna i den här handboken följs.

Funktioner

- Strömbrytare
- Låsknapp
- Kastskydd och kedjebroms
- Svärd
- Kedja
- Kedjekåpa
- Låsrratt för kedjustyring
- Justeringshjul för kedjespänning
- Kedjeskydd
- Nätsladd
- Hållare för nätsladd
- Oljelock
- Oljenivåindikator

Montering



Varning! Använd alltid skyddshandskar när du hanterar sågen.



Varning! Innan något monterings- eller underhållsarbete utförs på ett elverktyg måste det stängas av och kopplas bort från elnätet.



Varning! Ta bort buntbandet som håller ihop kedjan med kedjesvärdet innan du börjar montera.

Smörjning av kedjan

Detta måste alltid göras innan du använder en ny kedja (5) för första gången. Lägg den nya kedjan (5) i blöt i kedjeolja i minst en timme innan den används. Använd kedjeolja från BLACK+DECKER. Vi rekommenderar att du alltid använder olja från BLACK+DECKER under kedjesågens hela livslängd eftersom en blandning av oljor kan ge oljan försämrade egenskaper, vilket i sin tur kan förkorta kedjans livslängd avsevärt och framkalla ytterligare risker. Använd aldrig spillolja, tjockolja eller mycket tunn symaskinolja. De kan skada kedjesågen.

Montera svärd och kedja. (fig. A–E)

- ◆ Placera sågen på ett stadigt underlag.
- ◆ För kastskyddet/kedjebromsen (3) till främre läget (fig. A).
- ◆ Vrid låsratten för kedjusteringen (7) moturs för att ta bort kedjekåpan (6) (fig. B).
- ◆ Placera kedjan (5) över svärdet (4) och se till att kedjeskären på svärdets (4) ovansida är vända framåt (fig. C).
- ◆ För kedjan (5) runt svärdet (4) och dra den så att en ögla bildas åt ena hållet mot svärdets (4) bakre ände.
- ◆ Led kedjan (5) runt drivhjulet (14), rikta in öppningen i svärdet mot kedjespänningshjulet (16) centrumhål med bulten (15) (fig. D).

Obs! vrid kedjespänningshjulet så mycket som behövs för att rikta in centrumhållet mot bulten (15).

Varning! Se till att kastskyddet/kedjebromsen (3) är i rätt (främre) läge innan den sätts tillbaka (fig. A).

- ◆ Sätt fast kastskyddet (6) på sågen.
- ◆ Se till att fliken (17) på kedjekåpan passas in i urtaget (18) på huvudenheten (fig. E).
- ◆ Vrid kedjusteringslåsratten (7) medurs tills den sitter fast.
- ◆ Kontrollera spänningen - se "Kontroll av kedjespänningen" nedan.
- ◆ Om kedjan är för löst spänd - se "Öka kedjespänningen" nedan.

Kontroll av kedjespänningen (infälld bild i fig. F)

Kontrollera att kedjan är ordentligt spänd innan du använder den och därefter var 10:e minut under användningen.

- ◆ Koppla bort redskapet från elnätet
- ◆ Dra lätt i kedjan (5) så bilden visar (infälld bild i fig. F). Kedjan (5) har rätt spänning när den fjädrar tillbaka efter att ha dragits ut 3 mm från svärdet (4). Kedjan (5) ska inte hänga löst från svärdet (4) på undersidan (fig. G).

Öka kedjespänningen (fig. B)

- ◆ Lossa låsratten för kedjusteringen (7) moturs ett halvt varv.
- ◆ Vrid justeringshjulet för kedjespänning (8) medurs tills du känner lite motstånd.
- ◆ Kontrollera spänningen - se "Kontroll av kedjespänningen".
- ◆ Om du är nöjd drar du åt låsratten (7) igen. Om du vill spänna mer vrid du på justeringshjulet (8). Dra åt låsratten (7) igen.

Obs! Spänn inte kedjan för hårt eftersom det ökar slitaget och minskar svärdets och kedjans livslängd.

Obs! När kedjan är ny ska spänningen kontrolleras ofta (efter att sladden dragits ur eluttaget) under de första 2 timmarnas användning eftersom en ny kedja tänjer ut sig något.

Användning Varning!

Låt redskapet arbeta i sin egen takt. Överbelasta det inte.

Fylla på oljebehållaren (fig. H)

- ◆ Ta av oljelocket (12) och fyll på behållaren med den rekommenderade kedjeoljan. Du kan se oljenivån i oljenivåindikatorn (13). Sätt på oljelocket (12).
- ◆ Stäng av sågen med jämna mellanrum och kontrollera oljenivån i indikatorn (13). Om nivån är under en fjärdedel drar du ut kedjesågens sladd ur eluttaget och fyller på med rekommenderad olja. Den här kedjesågen har ett automatiskt smörjsystem som håller kedjan och svärdet konstant smorda. Vi rekommenderar att du alltid använder olja från BLACK+DECKER under kedjesågens hela livslängd eftersom en blandning av oljor kan ge oljan försämrade egenskaper, vilket i sin tur kan förkorta kedjans livslängd avsevärt och framkalla ytterligare risker. Använd aldrig spillolja, tjockolja eller mycket tunn symaskinsolja. De kan skada kedjesågen. Använd endast rätt typ av olja (kat.nr. A6023-QZ).
- ◆ Kedjesågen matar automatiskt olja till kedjan vid drift.

Ställa in kedjebromsen (fig. A)

- ◆ Se till att verktyget inte är anslutet till eluttaget.
- ◆ Dra kastskyddet/kedjebromsen (3) bakåt till rätt läge (fig. A).
- ◆ Verktyget är nu klart för användning.

Starta verktyget

Obs! Det går inte att starta verktyget om kastskyddet/kedjebromsen inte är i "läst" läge.

- ◆ Fatta kedjesågen i ett fast grepp med båda händerna. Tryck på låsknappen (2) och tryck därefter på strömbrytaren (1) för att starta.
- ◆ När motorn startar tar du bort tummen från låsknappen (2) och fattar handtaget i ett fast grepp. Tvinga inte verktyget – låt verktyget göra jobbet. Arbetet görs bättre och säkrare i den hastighet som sågen är konstruerad för. Om verktyget pressas kommer kedjan att tänjas ut (5).

Så här fungerar kastskyddets kedjebroms

I händelse av kast kommer din vänstra hand i beröring med kastskyddet och stöter det framåt mot arbetsstycket, varvid verktyget stannar inom några bråkdelar av en sekund.

Så här testar du kastskyddet/kedjebromsen (fig. A)

- ◆ Kontrollera alltid att kastbromsen fungerar korrekt innan du använder verktyget.
- ◆ Fatta verktyget i ett fast grepp när det ligger på ett stabilt underlag. Se till att kedjan (5) går fri från underlaget, och starta sågen (se "Start av kedjesågen")

- ◆ Vrid vänster hand framåt runt det främre handtaget så att handryggen kommer i kontakt med kastskyddet (3) och tryck det framåt mot arbetsstycket (fig. A). Sägkedjan (5) skall då stanna inom bråkdelen av en sekund. Du återställer kastskyddet/kedjebromsen (3) när det använts genom att följa anvisningarna för "Ställa in kedjebromsen".

Obs! Starta inte verktyget igen förrän du hör att motorn har stannat helt.

Obs! Om kedjebromsen inte fungerar bör du låta en godkänd BLACK+DECKER-verkstad åtgärda felet.

Om kedjan (5) eller svärdet (4) skulle fastna

- ◆ Stanna sågen.
- ◆ Koppla bort den från elnätet.
- ◆ Öppna skåran med kilar för att lätta på trycket på svärdet (4). Försök inte vrida loss sågen.
- ◆ Såga upp ett nytt spår.

Trädfällning (fig. I–K)

Oerfarna användare ska inte försöka sig på trädfällning. Användaren kan skada sig själv eller orsaka skada på egendom till följd av misslyckad fallriktningkontroll. Trädet kan klyvas, och skadade eller döda grenar kan falla under sågningen. Säkerhetsavståndet mellan ett träd som ska fällas och personer i närheten, byggnader och andra föremål är minst 2,5 gånger trädets höjd. Personer i närheten, byggnader eller föremål som befinner sig inom säkerhetsavståndet löper risk att träffas av det fallande trädet.

Innan du fäller ett träd:

- ◆ Ta reda på vad som gäller enligt lokala bestämmelser beträffande trädfällning.
- ◆ Ta hänsyn till alla förhållanden som kan påverka fallriktningen, bland annat:
 - ◆ Den tänkta fallriktningen.
 - ◆ Trädets naturliga lutning.
 - ◆ Alla ovanligt kraftiga eller murkna grenar.
 - ◆ Kringstående träd och hinder, bland annat luftledningar.
 - ◆ Vindhastighet och -riktning.

Se i förväg ut en nödutväg bort från nedfallande träd eller grenar. Se till att utvägen är fri från sådant som kan hindra din förflyttning. Tänk på att vått gräs och nyskalad bark är halt.

- ◆ Försök inte fälla träd vars diameter är större än längden på sågens skärdel.
- ◆ Gör en riktskåra för att bestämma fallriktningen.
- ◆ Såga en vågrätt skåra i stammen med ett djup på mellan 1/5 och 1/3 av trädets diameter och i rät vinkel mot fallinjen (fig. I).
- ◆ Såga det andra skäret ovanifrån så att det möter det första, och gör en skåra med ca 45° vinkel.

- ◆ Såga ett vågrätt fällskär från andra sidan 25–50 mm ovanför riktskårans mittpunkt. (fig. J). Såga inte igenom till riktskåran, eftersom du då kan förlora kontrollen över fallriktningen.
- ◆ Kör in en eller flera kilar i det sista skäret för att vidga det och fälla trädet (fig. K).

Beskära träd

Ta reda på vad som gäller enligt lokala bestämmelser beträffande beskärning av träd. Beskärning bör endast utföras av erfarna användare eftersom det föreligger ökad risk för att kedjan nyper och orsakar kast.

Innan beskärningen påbörjas bör de omständigheter som påverkar fallriktningen beaktas, t.ex:

- ◆ Längden och vikten på grenen som skall beskäras.
- ◆ Alla ovanligt kraftiga eller murkna grenar.
- ◆ Kringstående träd och hinder, även högt ovanför marken.
- ◆ Vindhastighet och -riktning.
- ◆ Om grenen är infliad med andra grenar. Användaren måste beakta åtkomsten till grenen och fallriktningen. Trädgrenarna kan röra sig mot trädstammen. Utöver användaren löper även omkringstående personer, föremål och egendom nedanför grenen risk att träffas.
- ◆ För att undvika flisor görs det första skäret i riktning uppåt och med ett djup på högst 1/3 av grenens diameter.
- ◆ Det andra skäret görs nedåt så att det möter det första.

Kapning (fig. L–O)

Hur du ska kapa beror på vad stocken vilar på. Om möjligt, använd sågbock. Börja alltid såga med kedjan i gång och med barkstödet (20) liggande mot stocken (fig. L). Avsluta skäret med en vridrörelse med barkstödet mot stocken.

Om stocken vilar på stöd utmed hela sin längd:

- ◆ Gör ett nedåtriktat skär, men undvik att såga i marken eftersom sågen då snabbt blir slö.

Om stocken vilar på stöd i bägge ändar:

- ◆ Gör först ett skär nedåt en tredjedel för att undvika klyvning, och sedan ett skär uppåt som möter det första.

Om stocken vilar på stöd i ena änden:

- ◆ Gör först ett skär uppåt en tredjedel för att undvika klyvning, och sedan ett skär nedåt.

Med stocken lutande:

- ◆ Stå alltid vid den övre änden.

Om du kapar en stock som ligger på marken (fig. M):

- ◆ Se till att hålla arbetsstycket på plats med skruvstycken eller kilar. Försök inte hålla stocken på plats genom att du själv eller någon annan sitter på den. Se till att sågkedjan inte kommer i kontakt med marken.

Om du använder sågbock (fig. N):

Om möjligt är detta det bästa sättet.

- ◆ Lägg stocken stadigt. Såga alltid utanför bockens ben. Använd tvingar eller remmar för att hålla stocken på plats.

Kvistning (bild O)

Ta bort grenar från ett fällt träd. Lämna större kvistar på trädets nederdel som stöd för stocken. Avlägsna de små kvistarna i ett skär. Spända grenar bör skäras av från grenens nedersta del mot toppen för att undvika att kedjesågen fastnar. Beskär kvistar från motsatt sida så att trästammen befinner sig mellan dig och sågen. Gör aldrig skär mellan dina ben eller grensla kvisten som ska kapas.

Felsökning

Problem	Möjlig orsak	Möjlig lösning
Verktyget startar inte	Du har inte tryckt på låsknappen.	Tryck på låsknappen.
	Kastskyddet befinner sig i bromsläget	Återställ kastskyddet
	Säkring trasig	Byt säkring
	Jordfelsbrytare utlöst	Kontrollera jordfelsbrytare
	Nätkabeln är inte ansluten	Kontrollera nätanslutningen
Kedjan stannar inte inom två sekunder när verktyget stängs av	Kedjan är inte ordentligt spänd	Kontrollera kedjespänningen
Svärdet/kedjan verkar vara het eller ryker	Oljetanken är tom	Kontrollera nivån i oljetanken
	Oljehålet är blockerat på svärdet	Rengör oljehålen (21 – fig. E) och rensa spåren kring kedjesvärdets kant.
	Kedjan är för hårt spänd	Kontrollera kedjespänningen
	Svärdets kedjedrev måste smörjas	Smörj svärdets kedjedrev
Kedjesågen skär inte ordentligt	Kedjan är felvänd	Kontrollera/ändra kedjans riktning
		Göra skarp

Problem	Möjlig orsak	Möjlig lösning
Kedjesågen förbrukar ingen olja	Skräp i tanken	Töm tanken på olja och fyll på med ny olja
	Oljehålet i locket är blockerat	Avlägsna allt skräp från hålet
	Skräp på svärdet	Ta bort skräp och rengör svärdet
	Skräp i oljekanalerna	Avlägsna skräpet

Underhåll

Regelbundet underhåll ger verktyget en lång, effektiv livslängd. Vi rekommenderar att du regelbundet utför följande kontroller.

Varning! Innan något underhåll utförs på elektriska redskap:

- ◆ Stäng av och koppla bort verktyget från elnätet.

Oljenivå

Nivån i behållaren bör aldrig understiga en fjärdedel.

Kedja och svärd (fig. F)

- ◆ Efter några timmars användning samt innan förvaring av redskapet skall svärdet (4) och kedjan (5) tas av och rengöras grundligt.
- ◆ Se till att skyddet är rent och fritt från skräp.
- ◆ Vid återmontering ska du vrida svärdet (4) 180°, ta bort kedjesträckerhjulet med en skruvmejsel och sätta tillbaka det på andra sidan av svärdet.

Varning! Spänn inte kedjan för hårt.

- ◆ Kedjedrevet via smörjhålet (19) för att säkerställa jämn förslitning runt svärdet.

Slipning av kedjan

För att verktyget skall fungera så bra som möjligt är det viktigt att hålla sågtänderna vassa. Anvisningar återfinns på slispens förpackning. Vi rekommenderar att du köper en BLACK+DECKER-slipsats för kedjesågar (finns att köpa hos BLACK+DECKER-verkstäder och utvalda återförsäljare).

Byte av utslitna sågkedjor

Utbyteskedjor finns hos återförsäljare och BLACK+DECKER-verkstäder. Använd alltid originaldelar.

Kedjans skärpa

Sågtänderna blir genast slöa om de kommer i kontakt med marken eller en spik under sågning.

Kedjespänning

Kontrollera kedjespänningen regelbundet.

Om kedjesågen behöver repareras.

Din kedjesåg har tillverkats i enlighet med alla relevanta säkerhetskrav. Reparationer skall utföras av kvalificerade personer som använder originaldelar, annars kan användaren utsättas för stor fara. Behåll den här bruksanvisningen och förvara den så att den inte kommer bort.

Byte av nätkontakt (endast Storbritannien och Irland)

Byt kontakten på följande sätt:

- Gör dig av med den gamla kontakten på lämpligt sätt.
- Anslut den bruna ledningen till den strömförande anslutningen i den nya kontakten.
- Anslut den blå ledningen till den icke strömförande anslutningen.

Varning! Anslut inte till jordanslutningen. Följ monteringsanvisningarna som medföljer kontakter av god kvalitet. Rekommenderad säkring: 13 A.

Miljö



Separat insamling. Produkten får inte kastas i hushållssoporna.

Tänk på miljön när du slänger denna BLACK+DECKER-produkt. Släng den inte tillsammans med hushållsavfallet. Lämna produkten för separat insamling.



Insamling av uttjänta produkter och förpackningsmaterial gör att material kan återanvändas. Användning av återvunnet material minskar föroreningar av miljön och behovet av råmaterial.

Lokala föreskrifter kan kräva separat insamling av elprodukter från hushållen, vid kommunala insamlingsplatser eller hos återförsäljaren när du köper en ny produkt.

BLACK+DECKER samlar in och återvinner uttjänta BLACK+DECKER-produkter. Om du vill utnyttja denna tjänst återlämnar du produkten till en auktoriserad verkstad, som samlar in den för vår räkning.

För information om närmaste auktoriserade verkstad, kontakta det lokala BLACK+DECKER-kontoret på den adress som är angiven i bruksanvisningen. En lista över alla auktoriserade BLACK+DECKER-verkstäder samt fullständiga servicevillkor och kontaktuppgifter finns på Internet: www.2helpU.com

Tekniska data

		CS2040 (typ 1)	CS2245 (typ 1)
Spänning	V_{ac}	230V	230 V
Ineffekt	W	2000 W	2200 W
längd	mm	400	450
Kedjehastighet (utan belastning)	m/s	12.5 m/s	12.5 m/s
Max. skärlängd	mm	397	436
Oljekapacitet	ml	200 ml	150ml
Vikt	kg	5.5	5.66
Skyddsklass		II	II

Ljudnivå enligt EN 60745:

L_{pA} (ljudnivå) 85.7/95 dB(A), osäkerhet (K) 3/2.5 dB(A)

L_{WA} (ljudeffekt) 102.1/106 dB(A), osäkerhet (K)3/2.5dB(A)

Totala vibrationsvärden (vektorsumman av tre axlar) enligt EN 60745:

Vibrationsvärde (a_h) 4.5/5.5m/s², osäkerhet (K) 1.5 m/s²

EG-deklaration om överensstämmelse**MASKINDIREKTIV****BULLERFÖRESKRIFTER, UTMHUS**

CS2040/CS2245

Black & Decker garanterar att produkterna som beskrivs under "Tekniska data" uppfyller:

2006/42/EG, EN 60745-1, EN 60745-2-13 2006/42/EG, Kedjesåg, Bilaga IV

TÜV Rheinland LGA Products GmbH;
Tillystraße 2 D - 90431 Nürnberg, Germany;
ID-nr: 0197

Akustisk effekt enligt 2000/14/EG (Article 13, Annex III):

L_{WA} (uppmätt ljudnivå) 102.1/106 dB(A)

Osäkerhet (K) 3/2.5 dB(A)

L_{WA} (garanterad ljudnivå) 109/110 dB(A)

De här produkterna överensstämmer även med direktiven 2014/30/EU och 2011/65/EU.

Mer information får du genom att kontakta

Black & Decker på följande adress eller titta i slutet av bruksanvisningen. Undertecknad är ansvarig för sammanställningen av tekniska data och gör denna försäkran för Black & Decker.

R. Laverick
Engineering chef
Black & Decker Europe, 210 Bath Road, Slough,
Berkshire, SL1 3YD
Storbritannien
10/09/2014

Garanti

Black & Decker garanterar att produkten är fri från material- och/eller fabriktionsfel vid leverans till kund. Garantin gäller utöver konsumentens rättigheter enligt lag och påverkar inte dessa. Garantin gäller inom medlemsstaterna i Europeiska Unionen och i det Europeiska Frihandelsområdet.

Om en Black & Decker-produkt går sönder på grund av material- och/eller fabriktionsfel eller brister i överensstämmelse med specifikationen, inom 24 månader från köpet, åtar sig Black & Decker att reparera eller byta ut produkten med minsta besvär för kunden, förutom om:

- ◆ Produkten har använts i kommersiellt eller yrkesmässigt syfte eller i uthyrningssyfte.
- ◆ Produkten har utsatts för felaktig användning eller skötsel.
- ◆ Produkten har skadats av främmande föremål, ämnen eller genom olyckshändelse.
- ◆ Reparation har utförts av någon annan än en auktoriserad Black & Decker-verkstad. Vid garantianspråk ska produkten och inköpskvittot lämnas till återförsäljaren eller till en auktoriserad verkstad.

För information om närmaste auktoriserade verkstad, kontakta det lokala Black & Decker-kontoret på den adress som är angiven i bruksanvisningen. En lista över alla auktoriserade Black & Decker-verkstäder samt fullständiga servicevillkor och kontaktuppgifter finns på Internet: www.2helpU.com

Besök vår webbplats www.blackanddecker.se för att registrera din nya BLACK+DECKER-produkt samt för att erhålla information om nya produkter och specialerbjudanden. Vidare information om märket BLACK+DECKER och vårt produktsortiment återfinns på www.blackanddecker.se

Tiltenkt bruk

Din BLACK+DECKER™-kjedesag er konstruert for beskjæring og felling av trær og oppdeling av stokker. Dette verktøyet er bare tiltenkt bruk som et forbrukerverktøy.

Sikkerhetsinstruksjoner

Generelle sikkerhetsadvarsler for elektroverktøy



Advarsel! Les alle sikkerhetsadvarsler og alle instruksjoner. Hvis advarslene og anvisningene nedenfor ikke overholdes, kan det medføre elektrisk støt, brann og/eller alvorlige personskader.

Ta vare på alle advarsler og instruksjoner for fremtidig bruk.

Begrepet "elektroverktøy" i advarslene nedenfor gjelder nettdrevet elektroverktøy (med ledning) eller batteridrevet elektroverktøy (uten ledning).

1. Sikkerhet i arbeidsområdet

- Hold arbeidsområdet rent og godt opplyst.** Rotete eller mørke områder fører lett til ulykker.
- Ikke arbeid med elektroverktøy i eksplosjonsfarlige omgivelser – der det finnes seg brennbare væsker, gass eller støv.** Elektroverktøy forårsaker gnister som kan antenne støv eller gass/damp.
- Hold barn og andre personer unna når du bruker et elektroverktøy.** Hvis du blir forstyrret under arbeidet, kan du miste kontrollen.

2. Elektrisk sikkerhet

- Støpselet til elektroverktøy må passe i stikkkontakten.** Støpselet må ikke forandres på noen som helst måte. **Ikke bruk adapterstøpsler sammen med jordede elektroverktøy.** Bruk av originale støpsler og passende stikkontakter reduserer risikoen for elektrisk støt.
- Unngå kroppskontakt med jordede overflater som rør, radiatorer, komfyrer og kjøleskap.** Det er større fare for elektrisk støt dersom kroppen din er jordat.
- Hold elektroverktøy unna regn eller fuktighet.** Dersom det kommer vann i et elektroverktøy, øker faren for elektrisk støt.
- Unngå uforvarlig behandling av ledningen.** Bruk aldri ledningen til å bære eller trekke elektroverktøyet eller til å trekke ut støpselet. Hold ledningen unna varme, olje, skarpe kanter eller bevegelige deler. Skadde eller sammenflokede ledninger øker risikoen for elektrisk støt.
- Når du bruker et elektroverktøy utendørs, må du bruke en skjøteledning som er egnet for utendørs bruk.** Når du bruker en skjøteledning som er egnet for utendørs bruk, reduseres risikoen for elektrisk støt.

- Hvis du ikke kan unngå å bruke et elektroverktøy på et fuktig sted, bruker du strømforsyning som er beskyttet med jordfeilbryter.** Bruk av jordfeilbryter reduserer risikoen for elektrisk støt.

3. Personikkerhet

- Vær oppmerksom, pass på hva du gjør, og vis fornuft når du arbeider med et elektroverktøy. Ikke bruk elektroverktøy når du er trett eller er påvirket av narkotika, alkohol eller medikamenter.** Et øyeblikks uoppmerksomhet under bruk av verktøyet kan føre til alvorlige personskader.
 - Bruk personlig verneutstyr. Bruk alltid vernebriller.** Bruk av personlig verneutstyr, for eksempel støvmaske, sklisikre vernesko, hjelm eller hørselvern som passer til forholdene, reduserer risikoen for personskader.
 - Forhindre utilsiktet start. Kontroller at bryteren står i posisjon "av" før du kobler til strømkilden og/eller batteripakken, og før du tar opp eller bærer verktøyet.** Det kan føre til ulykker hvis du bærer elektroverktøyet med fingrene på bryteren, eller setter strøm på verktøyet når bryteren står på.
 - Fjern eventuelle innstillingsverktøy eller skruverktøy før du slår på elektroverktøyet.** Et skruverktøy eller en nøkkel som fortsatt er festet til en roterende del av elektroverktøyet, kan føre til personskade.
 - Ikke strekk deg for langt. Pass på at du alltid har sikkert fotfeste og god balanse.** Da kan du kontrollere elektroverktøyet bedre i uventede situasjoner.
 - Bruk egnede klær. Ikke bruk løstsittende klær eller smykker.** Hold hår, klær og hansker unna bevegelige deler. Løstsittende tøy, smykker eller langt hår kan bli sittende fast i bevegelige deler.
 - Hvis det kan monteres støvavsug- og oppsamlingsinnretninger, må du forvise deg om at disse er tilkoblet og brukes på riktig måte.** Bruk av støvoppsamling kan redusere faren i forbindelse med støv.
- #### 4. Bruk og behandling av elektroverktøy
- Ikke bruk makt på elektroverktøyet. Bruk riktig elektroverktøy for bruksområdet.** Med et passende elektroverktøy arbeider du bedre og sikrere med den farten det er beregnet for.
 - Ikke bruk elektroverktøyet hvis du ikke kan slå det på og av med bryteren.** Et elektroverktøy som ikke kan slå på eller av med bryteren, er farlig og må repareres.
 - Trekk støpselet ut av stikkkontakten og/eller koble fra batteripakken på elektroverktøyet før du utfører innstillinger, bytter tilbehør eller legger elektroverktøyet bort.** Disse forebyggende sikkerhetstiltakene reduserer risikoen for utilsiktet start av elektroverktøyet.

- d. **Elektroverktøy som ikke er i bruk, må oppbevares utilgjengelig for barn. Ikke la verktøyet bli brukt av personer som ikke er fortrolig med det, eller som ikke har lest denne bruksanvisningen.** Elektroverktøy er farlige når de brukes av uerfarne personer.
- e. **Sørg for vedlikehold av elektroverktøy. Undersøk om bevegelige deler er feiljustert eller blokkert, om deler er skadet, og om det er andre forhold som kan påvirke elektroverktøets funksjon. Hvis elektroverktøyet er skadet, må det repareres før bruk.** Dårlig vedlikeholdt elektroverktøy er årsaken til mange ulykker.
- f. **Hold skjæreverktøy skarpe og rene.** Godt vedlikeholdte skjæreverktøy med skarpe egger setter seg ikke så ofte fast og er lettere å føre.
- g. **Bruk elektroverktøy, tilbehør, bits osv. i henhold til disse instruksjonene. Ta hensyn til arbeidsforholdene og arbeidet som skal utføres.** Bruk av elektroverktøy til andre formål enn det som er angitt, kan føre til farlige situasjoner.

5. Service

- a. **Elektroverktøy skal alltid repareres av kvalifisert personell og kun med originale reservedeler.** Dette sikrer at elektroverktøets sikkerhet opprettholdes.

Ytterligere sikkerhetsadvarsler for elektroverktøy



Advarsel! Ytterligere sikkerhetsadvarsler for kjedesagen

- ◆ **Hold alle deler av kroppen unna kjedet mens kjedesagen er i bruk. Før du starter kjedesagen, må du passe på at sagkjedet ikke er i kontakt med noe.** Et øyeblikks uoppmerksomhet under bruk av kjedesagen kan føre til at klesplagg eller kroppsdeler vikles inn i eller på annen måte kommer i utilsiktet kontakt med kjedesagen.
- ◆ **Hold alltid kjedesagen med høyre hånd på bakre håndtak og venstre hånd på fremre håndtak.** Hvis kjedesagen holdes på en motsatt måte, øker risikoen for personskade. Hold derfor alltid kjedesagen som anbefalt.
- ◆ **Hold elektroverktøyet bare i de isolerte grepflatene, fordi sagkjedet kan komme i kontakt med skjulte ledninger eller sin egen ledning.** Hvis kjedesager kommer i kontakt med en strømførende ledning, kan frittliggende metalldeleer på verktøyet bli strømførende, og brukeren kan få elektrisk støt.
- ◆ **Bruk vernebriller og hørselvern. Annet personlig verneutstyr for hode, hender, bein og føtter anbefales.** Passende beskyttelseskler vil redusere omfanget av personskade som forårsakes av materiale som slynges gjennom luften, eller kontakt med sagkjedet ved et uhell.

- ◆ **En kjedesag må ikke brukes i et tre.** Bruk av kjedesag mens brukeren står eller sitter i et tre, kan føre til personskade.
- ◆ **Pass på at du alltid har sikkert fotfeste, og bruk kjedesagen bare når du står på et fast, sikkert og plant underlag.** Glatte eller ustabile underlag, slik som stiger, kan føre til at man mister balansen og kontrollen over kjedesagen.
- ◆ **Når du kutter en gren som står i spenn, må du være oppmerksom på at den kan slå mot deg.** Når spennet i trefibrene frigjøres, kan grenen treffe operatøren og/eller slå kjedesagen ut av kontroll.
- ◆ **Vær svært forsiktig ved kutting av kratt og busker.** Kvister og lignende kan komme inn i kjedet og bli slengt mot deg eller gjøre at du mister balansen.
- ◆ **Kjedesagen bæres etter fronthåndtaket, og skal være slått av og vendt bort fra kroppen. Ved transport eller oppbevaring av kjedesagen skal dekslet for sverdet alltid være påmontert.** Riktig håndtering av kjedesagen vil gi redusert sannsynlighet for utilsiktet kontakt med sagkjedet i bevegelse.
- ◆ **Følg anvisningene for smøring, kjedespenning og utskifting av tilbehør.** Et kjede som ikke er strammet eller smurt på riktig måte, kan gå i stykker eller øke faren for tilbakeslag
- ◆ **Hold håndtakene tørre, rene og fri for olje og fett.** Fete, oljete håndtak er glatte og gir dårlig kontroll.
- ◆ **Kutt bare i tre. Ikke bruk kjedesagen til oppgaver den ikke er beregnet for. Eksempel: Ikke bruk kjedesagen til å kutte plast, murverk eller byggematerialer som ikke er av tre.** Bruk av kjedesagen til andre formål enn det som er angitt, kan føre til farlige situasjoner.

Årsaker til tilbakeslag og hvordan operatøren forhindrer dette

Tilbakeslag kan forekomme når spissen på sverdet kommer i kontakt med en gjenstand, eller når treverket "lukker seg" og kniper fast sagkjedet. Når spissen kommer i kontakt med en gjenstand, kan det plutselig oppstå en motsatt reaksjon, som fører til at sverdet slås opp og bakover mot operatøren. Hvis kjedet knipes fast langs øvre kant av sverdet, kan sverdet bli skjøvet fort bakover mot operatøren. Begge disse reaksjonene kan føre til at du mister kontrollen over kjedesagen, slik at det oppstår alvorlig personskade. Ikke stol blindt på kjedesagens innebygde sikkerhetsinnretninger. Som bruker er det ditt ansvar å ta nødvendige forholdsregler for å unngå uhell og skader. Tilbakeslag er et resultat av feil bruk av verktøyet og/eller feil brukerprosedyrer eller forhold, og kan unngås ved å ta riktige forholdsregler som forklart nedenfor.

- ◆ **Sørg for at du holder godt fast i sagen, med tommel og fingrer rundt håndtakene. Hold sagen med begge hender, og stå med kroppen og armene slik at du kan motstå tilbakeslagskrefter.** Tilbakeslagskrefter kan beherskes av operatøren hvis riktige forholdsregler tas. Ikke slipp tak i kjedesagen.
- ◆ **Ikke strekk deg for langt, og ikke bruk sagen over skulderhøyde.** På denne måten kan du unngå utilsikket kontakt mellom spissen og gjenstander, og få bedre kontroll over kjedesagen i uventede situasjoner.
- ◆ **Bruk bare erstatningssverd og -kjeder som produsenten har angitt.** Bruk av feil erstatningsskinner og -kjeder kan føre til kjedebrudd og/eller tilbakeslag.
- ◆ **Følg produsentens anvisninger for sliping og vedlikehold av sagkjedet.** Lavere dybdemålerhøyde kan føre til mer tilbakeslag.
- ◆ Hvis du kommer borti metall, sement eller annet hardt materiale i nærheten av trevirket eller skjult i trevirket, kan det føre til tilbakeslag.
- ◆ Et sløvt eller løst kjede kan føre til tilbakeslag.
- ◆ Ikke sett sagen inn i et tidligere laget kutt. Det kan føre til tilbakeslag. Lag et nytt kutt hver gang.

Anbefalte sikkerhetsiltak for kjedesagen

- ◆ Vi anbefaler på det sterkeste at personer som bruker kjedesag for første gang, får praktisk veiledning i bruk av sagen og personlig verneutstyr fra en erfaren bruker. Øvelsen bør bestå i å sage ved på en sagkrakk eller en annen form for holder.
- ◆ Hold kjedesagen i god stand når den ikke er i bruk. Ikke oppbevar kjedesagen i lang tid uten først å fjerne kjedet og sverdet, som skal oppbevares nedsenket i olje. Lagre alle kjedesagdelene på et tørt og sikkert sted utilgjengelig for barn.
- ◆ Vi anbefaler også å tappe oljen ut av oljetanken før sagen settes til oppbevaring.
- ◆ Sørg for å ha godt fotfeste, og ha alltid planlagt en sikker vei vekk fra stedet i tilfelle av fallende trær eller grener.
- ◆ Bruk kiler for å kontrollere bevegelsen til treet og forhindre at kjedet og sverdet blokkeres i treet.
- ◆ Vedlikehold av kjedet. Hold kjedet skarpt, og sørg for at det sitter tett rundt sverdet. Sørg for at kjedet og sverdet er rent og godt smurt med olje. Hold håndtakene tørre og rene, og pass på at det ikke kommer olje og fett på dem.

Unngå å sage

- ◆ Bearbeidet tømmer.
- ◆ I bakken.
- ◆ I ståltrådgjerder, spiker osv.

Ytterligere sikkerhetsinstruksjoner

- ◆ Pass på at det er noen andre i nærheten (men på sikker avstand) i tilfelle uhell.

- ◆ Hvis du av en eller annen grunn må berøre sagkjedet, må du først kontrollere at kjedesagen er koblet fra strømforsyningen.
- ◆ Støyen fra dette produktet kan overskride 85 dB(A). Vi anbefaler derfor at du bruker egnet hørselvern.
- ◆ **Mens du håndterer produktet, kan sverdet bli varmt. Behandle det med varsomhet.**

Andre personers sikkerhet

- ◆ Dette produktet er ikke beregnet på å brukes av personer (inkludert barn) med reduserte fysiske, sansemessige eller mentale evner, eller som mangler erfaring og kunnskap, med mindre de har fått oppfølging eller instruksjon i bruken av produktet fra en person som er ansvarlig for deres sikkerhet.
- ◆ Barn skal være under oppsyn så du er sikker på at de ikke leker med produktet.

Andre risikoer

Ved bruk av verktøyet kan det oppstå ytterligere risikoer som kanskje ikke er inkludert i sikkerhetsadvarslene som følger med. Disse risikoene kan bli forårsaket av feil bruk, langvarig bruk osv. Selv om de relevante sikkerhetsbestemmelsene blir fulgt, og sikkerhetsiltakene blir gjennomført, kan visse gjenværende risikoer ikke unngås. Disse omfatter:

- ◆ Personskader som forårsakes av berøring av en roterende/bevegelig del.
- ◆ Personskader som forårsakes av at en del, et blad eller tilbehør endres.
- ◆ Personskader som forårsakes av langvarig bruk av et verktøy. Når du bruker et verktøy i lange perioder, må du sørge for å ta regelmessige pauser.
- ◆ Svekket hørsel.
- ◆ Helsefarer som forårsakes av innånding av støv som dannes når du bruker verktøyet (eksempel: arbeid med tre, spesielt eik, bøk og MDF).

Vibrasjon

Vibrasjonsemisjonsverdien som er angitt under tekniske data og samsvarserklæring, er blitt målt i henhold til en standard testmetode som er angitt i EN 60745, og kan brukes til å sammenligne et verktøy med et annet. Den oppgitte vibrasjonsemisjonsverdien kan også brukes til en foreløpig vurdering av eksponering.

Advarsel! Vibrasjonsemisjonsverdien under faktisk bruk av elektroverktøyet kan avvike fra den oppgitte verdien avhengig av måten verktøyet blir brukt på. Vibrasjonsnivået kan øke over nivået som er oppgitt.

Når man vurderer vibrasjonseksposering for å bestemme sikkerhetstiltak som kreves i 2002/44/EF, for å beskytte personer som bruker elektroverktøy regelmessig i arbeidet, skal man når man anslår vibrasjonseksposeringen, ta hensyn til de faktiske bruksforholdene og måten verktøyet blir brukt på, inkludert hensyn til alle deler av bruksyklusen – også de gangene verktøyet slås av, og når det går på tomgang, i tillegg til tiden utløseren er inne.

Merking på verktøyet

Følgende symboler vises på verktøyet:



Advarsel! Brukeren må lese håndboken for å redusere risikoen for personskade.



Benytt vernebriller når du bruker dette produktet.



Benytt hørselvern når du bruker dette verktøyet.



Hold verktøyet unna regn eller høy fuktighet.



Garantert lydeffekt i henhold til direktiv 2000/14/EF.



Ta umiddelbart støpselet ut av nettstikkkontakten hvis kablet blir skadet eller kuttet av.



Forsiktig: Ikke stram for mye. Stram for hånd. Stram bare manuelt.

Elektrisk sikkerhet



Dette apparatet er dobbeltisolert. Jording er derfor ikke nødvendig. Kontroller alltid at strømforsyningen er i overensstemmelse med spenningen på typeskiltet.

- ◆ Hvis strømledningen blir skadet, må den byttes av produsenten eller et autorisert BLACK+DECKER-service-senter for å unngå fare.

Bruke skjøteledning

- ◆ Bruk alltid en godkjent skjøteledning som passer til inngangseffekten for dette verktøyet (se tekniske data). Skjøteledningen må passe for utendørs bruk og skal være merket i samsvar med dette. Opptil 30 m 2 x 1.5 mm² HO7RN-F-skjøteledning kan brukes uten tap av ytelse for produktet. Før bruk må du undersøke skjøteledningen for tegn på skade, slitasje og aldring. Bytt skjøteledningen hvis den er skadet eller defekt. Når du bruker kabelsnelle, må du alltid rulle ut kabelen helt.

Spenningsfall

- ◆ Under visse strømforsyningsforhold kan dette produktet forårsake korte spenningsfall under oppstart.
- ◆ Annet utstyr kan bli berørt. For eksempel kan elektrisk lys bli midlertidig svakere.
- ◆ Kontakt om nødvendig reguleringsmyndighetene for elektrisitet for å finne ut om impedansen for strømforsyningen er mindre enn 0.172/0.293 ohm. Det er lite sannsynlig at det oppstår forstyrrelser under disse betingelsene.

Vern mot elektrisk støt

- ◆ Unngå å komme i kontakt med jordede overflater (f.eks. metallrekkverk, lyktestolper osv.). Elektrisk sikkerhet kan forbedres ytterligere ved bruk av jordfeilbryter med høy følsomhet (30 mA / 30 mS).



Advarsel! Bruk av jordfeilbryter eller annen overbelastningsbryter fritar ikke operatøren av kjedesagen for å følge sikkerhetsinstruksjonene og anbefalingene om arbeidsmetoder i denne bruksanvisningen.

Funksjoner

1. Av/på-bryter
2. Utløserknapp
3. Frontvern/kjedebremse-enhet
4. Sverd
5. Kjede
6. Kjededekselenhet
7. Låseknot for kjedejustering
8. Justeringsring for kjedestramming
9. Sverdbeskyttelse
10. Strømledning
11. Holder for strømledning
12. Oljeløkk
13. Indikator for oljenivå

Montering



Advarsel! Bruk alltid vernehansker ved arbeid på kjedesagen.



Advarsel! Før du utfører montering eller vedlikehold på elektroverktøy, må du slå verktøyet og kople fra strømmen.



Advarsel! Fjern kabelstroppen som fester kjedet til sverdet, før montering.

Smøre kjedet

Du må alltid olje et nytt kjede (5) før du bruker det for første gang. Legg det nye kjedet (5) i kjedeolje i minst en time før du bruker det. Bruk BLACK+DECKER-kjedeolje. Vi anbefaler at du bare bruker BLACK+DECKER-olje i hele levetiden til kjedesagen. Blanding av ulike oljer kan føre til at oljen får dårligere egenskaper, noe som kan forkorte kjedesagens levetid betydelig og skape ekstra risiko. Bruk aldri spillolje, tykflytende olje eller svært tyntflytende symaskinolje. Dette kan skade kjedesagen.

Montere sverd og kjede. (figur A–E)

- ◆ Legg kjedesagen på en stabil overflate.
- ◆ Sett frontvern/kjedebremsehøyheten (3) i fremre stilling (fig. A).
- ◆ Drei låseknotten for kjedejustering (7) mot klokken for å fjerne kjededekselenheten (6) (fig. B).
- ◆ Legg kjedet (5) over sverdet (4). Pass på at sagkjedetennene på øvre del av sverdet (4) vender forover (fig. C).
- ◆ Før kjedet (5) rundt sverdet (4), og legg trekk i det så det danner en løkke på den ene siden av bakre ende av sverdet (4).
- ◆ Før kjedet (5) rundt drivkjedehjulet (14), still inn åpningen i sverdet og midthullet i kjedestrømmeringen (16) med boltene (15) (fig. D).

Merk: drei kjedestrømmeringen etter behov for å stille inn det midtre hullet på boltene (15).

Advarsel! Pass på at frontvern/kjedebremsehøyheten (3) er i den faste stillingen (fremre) før den settes på igjen (fig. A).

- ◆ Sett kjededekselenheten (6) på kjedesagen.
- ◆ Sørg for at klaffen (17) på kjededekselenheten befinner seg der det skal i sporet (18) på hovedhuset (fig. E).
- ◆ Drei låseknotten for kjedejustering (7) med klokken inntil den sitter godt.
- ◆ Kontroller strømmeringen - se "Kontrollere kjedestrømmeringen" nedenfor.
- ◆ Hvis kjedestrømmeringen er løs - se "Øke kjedestrømmeringen" nedenfor.

Kontrollere kjedestrømmeringen (innstikk fig. F)

Før bruk og hvert 10. minutt under bruk må du sjekke at kjedet er skikkelig spent.

- ◆ Ta støpselet ut av stikkkontakten
- ◆ Trekk lett i kjedet (5) som vist (innfelt figur F). Strømmeringen er riktig når kjedet (5) spretter tilbake etter at det trekkes 3 mm fra sverdet (4). Det skal ikke være noe "slakk" mellom sverdet (4) og kjedet (5) på undersiden (fig G).

Øke kjedestrømmeringen (fig. B)

- ◆ Løsne låseknotten for kjedejustering (7) mot klokken en halv omdreining.
- ◆ Drei justeringsringen for kjedesstrømmering (8) med klokken inntil du føler en lett motstand.
- ◆ Kontroller strømmeringen - se "Kontrollere kjedestrømmeringen".
- ◆ Hvis den er tilfredsstillende, kan du stramme låseknotten (7) igjen. Hvis det er nødvendig med mer strømmering, dreier du på justeringshjulet (8). Stram deretter låseknotten (7) igjen.

Merk: Ikke stram til kjedet for mye. Dette vil føre til uforholdsmessig stor slitasje og redusere levetiden til sverdet og kjedet.

Merknad: Når kjedet er nytt, må du kontrollere strømmeringen ofte (etter at støpselet er trukket ut) de første 2 timene du bruker kjedet, siden et nytt kjede strekker seg litt.

Bruk

Advarsel! La verktøyet arbeide i sin egen hastighet. Det må ikke overbelastes.

Fylle oljetanken (fig. H)

- ◆ Fjern oljelokket (12), og fyll oljetanken med anbefalt kjedeolje. Du kan se oljenivået på indikatoren for oljenivå (13). Sett på plass oljelokket (12) igjen.
- ◆ Slå av verktøyet og kontroller indikatoren for oljenivå (13) regelmessig. Hvis tanken er mindre enn 25 % full, kobler du kjedesagen fra strømforsyningen og fyller på med riktig olje. Denne motorsagen er utstyrt med et automatisk oljesystem som holder sagkjedet og sverdet kontinuerlig smurt. Vi anbefaler at du bare bruker BLACK+DECKER-olje i hele levetiden til kjedesagen. Blanding av ulike oljer kan føre til at oljen får dårligere egenskaper, noe som kan forkorte kjedesagens levetid betydelig og skape ekstra risiko. Bruk aldri spillolje, tykflytende olje eller svært tyntflytende symaskinolje. Disse kan skade kjedesagen. Bruk bare olje av riktig grad (katalognummer A6023-QZ).
- ◆ Kjedesagen vil automatisk mate olje til kjedet under bruk.

Stille inn kjedebremsen (fig. A)

- ◆ Sjekk at verktøyet er koblet fra strømforsyningen.
- ◆ Dra frontvern/kjedebremsehøyheten (3) tilbake til angitt "fast" stilling (fig. A).

- ◆ Verktøyet er nå klart til bruk.

Slå på

Merk: Det vil ikke være mulig å slå på verktøyet hvis kastbeskyttelsen/kjedebremsehøyden (4) ikke er i "låst" posisjon.

- ◆ Ta godt tak i kjedesagen med begge hender. Trykk på låseknappen (2) og trykk deretter på av/på-bryteren (1) for å starte.
- ◆ Når motoren starter, tar du tommelen bort fra låseknappen (2) og tar godt tak i håndtaket. Ikke tving verktøyet. La det gjøre arbeidet selv. Det vil gjøre en bedre og tryggere jobb hvis det får bruke hastigheten det er utformet for. For mye kraft vil føre til at sagkjedet (5) strekkes.

Slik motvirker kjedebremsen tilbakeslag

Ved tilbakeslag kommer din venstre hånd i kontakt med frontvernet, skyver det frem mot arbeidsemnet og stopper verktøyet på brøkdeler av et sekund.

Slik tester du kjedebremsen mot tilbakeslag (fig. A)

- ◆ Kontroller alltid at kjedebremsen virker korrekt før bruk.
- ◆ Hold verktøyet fast med begge hender på et fast underlag. Kontroller at sagkjedet (5) går klar av bakken, og slå på saken (se "Start av kjedesagen").
- ◆ Drei venstre hånd forover rundt det fremre håndtaket slik at håndbaken kommer i kontakt med frontvern/kjedebremsenheten (3) og skyver den fremover mot arbeidsemnet (fig. A). Sagkjedet (5) skal nå stoppe innen noen brøkdeler av et sekund. Når du skal tilbake stille etter å ha brukt frontvern/kjedebremsenheten (3) følger du instruksene i "Stille inn kjedebremsen".

Merk: Unngå å starte opp verktøyet igjen før du hører at motoren har stoppet helt.

Merknad: Hvis kjedebremsen ikke virker riktig, bringer du produktet til et godkjent BLACK+DECKER-servicesenter.

Hvis sagkjedet (5) eller sverdet (4) setter seg fast

- ◆ Slå av verktøyet. ◆ Ta støpselet ut av stikkkontakten.
- ◆ Åpne kuttet med kiler for å lette belastningen på sverdet (4). Ikke forsøk å rykke kjedesagen løs.
- ◆ Start et nytt kutt.

Felling (fig. I - K)

Uerfarne brukere bør ikke prøve å felle trær. Det kan oppstå skade på person eller eiendom som følge av manglende evne til å styre fallet i riktig retning, og treet kan splittes, eller skadede/døde grener kan falle ned under sagingen. Den sikre avstanden mellom et tre som skal felles og personer på bakken, bygninger og andre objekter, er minst to og en halv gang høyden av treet. Tilskuere, bygninger eller objekter som befinner seg nærmere enn denne avstanden, vil kunne bli truffet av treet når det faller.

Før forsøk på felling av et tre:

- ◆ Undersøk at det ikke er noen lokale lover eller bestemmelser som forbyr eller styrer trefelling.
- ◆ Vurder alle forhold som kan ha innvirkning på fallretningen, inkludert:
 - ◆ Den tiltenkte fallretningen.
 - ◆ Den naturlige hellingen til treet.
 - ◆ Eventuelle uvanlig tunge grener eller råtnede deler.
 - ◆ Trær i nærheten og andre hindringer, inkludert kabler eller ledninger i luften og underjordiske avløp.
 - ◆ Vindstyrke og -retning.

Før felling av trær må du planlegge en sikker vei bort fra det fallende treet eller grenene. Kontroller at det ikke er hindringer i veien som kan føre til at du ikke kommer deg unna. Husk at vått gress og nylig kuttet bark er glatt.

- ◆ Forsøk ikke å felle trær med diameter som er større enn kjedesagens sagelengde.
- ◆ Skjær et felleskår for å bestemme fallretningen.
- ◆ Lag et horisontalt kutt med dybde mellom 1/5 og 1/3 av treet diameter vinkelrett på fallinjen ved foten av treet (fig. I).
- ◆ Lag et nytt kutt ovenfra som krysser det første, slik at det dannes et hakk på ca. 45°.
- ◆ Lag ett enkelt horisontalt fellingskutt fra den andre siden, 25 til 50 mm over midten av felleskåret. (fig. J). Ikke skjær helt gjennom til felleskåret, da det kan føre til at du mister kontrollen over fallretningen.
- ◆ Driv én eller flere kiler inn i fellingskuttet for å åpne det og få treet til å falle (fig. K).

Beskjæring av trær

Undersøk at det ikke er noen lokale lover eller bestemmelser som forbyr eller styrer beskjæring av tregrener. Beskjæring bør bare utføres av erfarne brukere, da det er økt fare for fastklemming av kjedet og tilbakeslag.

Før beskjæringen starter, er det viktig å vurdere forhold som kan få innvirkning på fallretningen, for eksempel:

- ◆ Lengden og vekten av den grenen som skal sages av.
- ◆ Eventuelle uvanlig tunge grener eller råtnede deler.
- ◆ Trær i nærheten og andre hindringer, også i luften.
- ◆ Vindstyrke og -retning.
- ◆ Om grenen er tvunnet sammen med andre grener. Operatøren må vurdere tilgangen til tregrenen og fallretningen. Grenen vil kunne falle inn mot trestammen. I tillegg til brukeren vil tilskuere, gjenstander og eiendeler under grenen kunne bli utsatt for skade.
- ◆ For å unngå oppflising lager du det første kuttet oppover inn til en maksimumsdybde på en tredjedel av grenens diameter.
- ◆ Lag det andre kuttet nedover og slik at det treffer det første.

Skjæring av kubber (fig. L - O)

Hvordan du skal kutte, avhenger av hvordan stokken er støttet opp. Bruk en sagkrakk når dette er mulig. Start alltid sagingen med sagkjedet i gang og med barkstøtten (20) i kontakt med treet (fig. L). For å fullføre kuttet vipper du barkstøtten mot treet.

Når stokken er støttet i hele sin lengde:

- ◆ Lag et kutt nedover, men unngå å sage i jorden, ettersom det vil føre til at sagkjedet blir sløvt veldig fort.

Når stokken er støttet i begge ender:

- ◆ Først sager du en tredjedel nedover for å unngå oppsplintring, og deretter sager du oppover for å møte det første kuttet.

Når stokken er støttet i én ende:

- ◆ Først sager du en tredjedel opp for å unngå oppsplintring, og deretter sager du ned for å unngå oppsplintring.

I en helling:

- ◆ Stå alltid på oversiden.

Når du forsøker å sage en stokk på bakken (figur M):

- ◆ Sikre arbeidsstykket ved å bruke klosser eller kiler. Brukeren eller en tilskuer må ikke holde trevirket fast ved å sitte eller stå på det. Pass på at sagkjedet ikke kommer i kontakt med bakken.

Ved bruk av sagkrakk (figur N):

Om mulig er dette den beste måten.

- ◆ Plasser trevirket i en stabil posisjon. Kutt alltid på utsiden av sagkrakkarmene. Bruk klemmer eller stropper for å sikre arbeidsemnet.

Kutting av grener (figur O)

Fjerne grener fra et felt tre. Når grener kuttes, skal store grener nederst stå igjen for å støtte stammen opp fra bakken. Fjern de små grenene i ett kutt. Grener i spenn skal kuttes fra nederst på grenen mot toppen for å unngå at kjedesagen blokkeres. Trim grener fra motsatt side mens du holder tresammen mellom deg og sagen. Sag aldri med sagen mellom bena, eller stå overskrevet over grenen som skal sages.

Feilsøking

Problem	Mulig årsak	Mulig løsning
Verktøyet starter ikke	Låseknappen er ikke trykket inn.	Trykk på låseknappen.
	Frontvernet er i bremsstilling	Tilbakestill frontvernet
	En sikring har gått	Skift sikring
	Utløst jordfeilbryter	Kontroller jordfeilbryter
	Nettledningen er ikke koblet til	Kontroller strømførselen
Kjedet stopper ikke innen 2 sekunder når verktøyet slås av	Kjedestrammingen er for slapp	Kontroller kjedestrammingen
Sverd/kjede virker varme / ryker	Oljetanken er tom	Kontroller nivået i oljetanken
	Oljehullet er blokkert på sverdet	Rengjør oljehullene (21 – figur E) og tøm rillen rundt kanten på sverdet.
	Kjedet er for stramt	Kontroller kjedestrammingen
	Tannhjulene på tuppen av sverdet trenger smøring	Smør tannhjulene på tuppen av sverdet
Kjedesagen skjærer ikke bra	Kjedet satt på bak-frem	Kontroller/endre kjedets retning
		Skjerp kjedet
Kjedesagen bruker ikke olje	Rusk i tanken	Tøm oljen av tanken og fyll på ny
	Oljehullet i lokket er blokkert	Fjern rusk fra hullet
	Rusk på sverdet	Fjern rusk og rengjør sverdet
	Rusk i oljeuttaket	Fjern rusk

Vedlikehold

Regelmessig vedlikehold sikrer lang levetid for verktøyet. Vi anbefaler at du foretar følgende sjekker regelmessig:

Advarsel! Før du utfører vedlikehold på elektroverktøy:

- ◆ Så av verktøyet og trekk støpselet ut av stikkkontakten.

Oljenivå

Oljetanken må alltid være minst 25 % full.

Sagkjede og sverd (fig. F)

- ◆ Etter noen timers bruk og før oppbevaring tar du av sverdet (4) og sagkjedet (5) og rengjør dem grundig.
- ◆ Sjekk at beskyttelsen er ren og fri for rusk.
- ◆ Ved ny montering dreier du sverdet (4) gjennom 180°, løser kjedestrammingen med en skrutrekker og fester den igjen på motsatt side av sverdet.

Advarsel! Ikke stram for mye.

- ◆ Påfør olje på tuppen av kjedehjulet via kjedehjulets smørehull (19). Dette sørger for jevn fordeling rundt sverdskindene.

Skjerpe kjedet

Hvis du vil ha best mulig ytelse fra verktøyet, er det viktig å holde kjedetennene skarpe. Du finner mer informasjon om dette i skjerpesettet. For dette anbefaler vi at du kjøper BLACK+DECKER-skjerpesett for kjedesager (fås hos autoriserte BLACK+DECKER-serviceverksteder og utvalgte forhandlere).

Skifte utslitte sagkjeder

Nye sagkjeder kan fås hos forhandlere og autoriserte BLACK+DECKER-serviceverksteder. Bruk alltid originale reservedeler.

Kjedeskarpheit

Sagetennene på kjedet vil bli sløve med én gang hvis de berører bakken eller en spiker under bruk.

Sagkjedestramming

Sjekk sagkjedestrammingen regelmessig.

Hva som skal gjøres hvis kjedesagen må repareres.

Kjedesagen er produsert i samsvar med relevante sikkerhetsskrav. Reparasjoner må bare utføres av en kvalifisert person som benytter originale reservedeler, ellers kan det være svært farlig for brukeren. Vi anbefaler at du oppbevarer denne bruksanvisningen på et sikkert sted.

Bytte nettstøpsel (gjelder bare Storbritannia og Irland)

Hvis et nytt støpselet må settes på:

- ◆ Kast det gamle støpselet på en trygg måte.
- ◆ Koble den brune ledningen til den strømførende terminalen i det nye støpselet.
- ◆ Koble den blå ledningen til nullterminalen.

Advarsel! Du skal ikke koble til jordterminalen. Følg monteringsinstruksjonene som følger med støpsler av god kvalitet. Anbefalt sikring: 13 A.

Miljø



Separat avfallshåndtering. Dette produktet må ikke kastes sammen med vanlig husholdningsavfall.

Hvis du synes BLACK+DECKER-produktet bør skiftes ut, eller du ikke har bruk for det lenger, må du ikke kaste det sammen med husholdningsavfall. Sørg for separat avfallshåndtering for dette produktet.



Hvis brukte produkter og emballasje leveres atskilt, kan materialer resirkuleres og brukes på nytt. Gjenbruk av resirkulerte materialer bidrar til redusert miljøforurensing og reduserer behovet for råmaterialer.

Det kan være lokale bestemmelser for separat avfallshåndtering for elektriske produkter fra husstander på kommunale avfallsplasser eller hos forhandleren, når du kjøper et nytt produkt. BLACK+DECKER har en ordning for innsamling og resirkulering av BLACK+DECKER-produkter som ikke skal brukes lenger.

Du kan benytte denne tjenesten ved å levere produktet til et hvilket som helst autorisert serviceverksted. Du kan finne ut hvor nærmeste autoriserte serviceverksted er, ved å kontakte din lokale BLACK+DECKER-avdeling på adressen som er oppgitt i denne håndboken. En oversikt over autoriserte BLACK+DECKER-serviceverksteder og alle opplysninger om ettersalgsservice og kontakter er også tilgjengelig på Internett: www.2helpU.com

Tekniske data

		CS2040 (Type 1)	CS2245 (Type 1)
Spenning	V_{ac}	230 V	230 V
Inngangseffekt	W	2000 W	2200 W
lengde	mm	400	450
Kjedehastighet (uten belastning)	m/s	12.5m/s	12.5m/s
Maks. sagelengde	mm	397	436
Oljekapasitet	ml	200ml	150ml
Vekt	kg	5.5	5.66
Sikkerhetsklasse		II	II

Lydtrykknivå målt i henhold til EN 60745:

L_{pA} (lydtrykk) 85.7/95 dB(A), usikkerhet (K) 3/2.5dB(A)

L_{WA} (lydeffekt) 102.1/106dB(A), usikkerhet (K) 3/2.5 dB(A)

Totale vibrasjonsverdier (vektorsum fra tre retninger) i henhold til EN

60745:

Vibrasjonsemissionsverdi (a_{hv}) 4.5/5.5m/s², usikkerhet (K) 1.5 m/s²

EU-samsvarserklæring

MASKINDIREKTIV

DIREKTIV FOR UTENDØRS STØY



CS2040/CS2245

Black & Decker erklærer at disse produktene som er beskrevet under "Tekniske data", er i samsvar med: 2006/42/EF, EN 60745-1, EN 60745-2-13 2006/42/EF, motorsag, vedlegg IV

TÜV Rheinland LGA Products GmbH;
Tillystraße 2 D - 90431 Nürnberg, Germany;

ID-nummer for varslet organ: 0197
Lydeffektnivå i henhold til 2000/14/EF
(artikkel 13, vedlegg III):

L_{WA} (målt lydeffekt) 102.1/106 dB(A)

Usikkerhet (K) 3/2.5 dB(A)

L_{WA} (garantert lydeffekt) 109/110 dB(A)

Disse produktene er også i samsvar med direktiv 2014/30/EU og 2011/65/EU. Hvis du ønsker mer informasjon, kontakt Black & Decker på følgende adresse, eller se på baksiden av bruksanvisningen. Undertegnede er ansvarlig for utarbeidelsen av den tekniske dokumentasjonen og gir denne erklæringen på vegne av Black & Decker.

R. Laverick
Engineering Manager
Black & Decker Europe, 210 Bath Road, Slough,
Berkshire, SL1 3YD
Storbritannia
10/09/2014

Garanti

Black & Decker er trygg på kvaliteten av sine produkter og tilbyr en enestående garanti. Denne garantierklæringen kommer i tillegg til dine lovbestemte rettigheter og er ikke i konflikt med disse. Garantien er gyldig i EU- og EFTA-medlemsstatene.

Hvis et Black & Decker-produkt går i stykker på grunn av material- og/eller fabrikkasjonsfeil eller har mangler i forhold til spesifikasjonene innen 24 måneder fra kjøpet, påtar Black & Decker seg å skifte ut defekte deler, reparere produkter som har vært utsatt for alminnelig slitasje, eller bytte ut slike produkter med minst mulig vanskelighet for kunden, med mindre:

- ◆ Produktet har vært brukt i yrkes-/næringsvirksomhet eller til utleie.
- ◆ Produktet har vært utsatt for feilaktig bruk eller dårlig vedlikehold.
- ◆ Produktet har blitt skadet av fremmede gjenstander eller stoffer eller ved et uhell.
- ◆ Andre enn autoriserte serviceverksteder eller Black & Deckers serviceteknikere har forsøkt å reparere produktet. For å ta garantien i bruk må du vise kjøpskvittering til forhandleren eller til et autorisert serviceverksted.

Du kan finne ut hvor nærmeste autoriserte serviceverksted er, ved å kontakte din lokale Black & Decker-avdeling på adressen som er oppgitt i denne håndboken. En oversikt over autoriserte Black & Decker-serviceverksteder og alle opplysninger om ettersalgsservice og kontakter er også tilgjengelig på Internett: www.2helpU.com

Besøk vårt webområde www.blackanddecker.no for å registrere ditt nye BLACK+DECKER-produkt og for å holde deg oppdatert om nye produkter og spesialtilbud. Du finner mer informasjon om BLACK+DECKER og produktutvalget vårt på www.blackanddecker.no.

Tilsigtet brug

Din BLACK+DECKER™ kædesav er designet til at beskære og fælde træer og save i træstammer. Værktøjet er kun beregnet til privat brug.

Sikkerhedsanvisninger

Generelle sikkerhedsadvarsler vedrørende elværktøj



Advarsel! Læs alle sikkerhedsadvarsler og instruktioner. Hvis nedenstående instruktioner og advarsler ikke følges, er der risiko for elektrisk stød, brand og/eller alvorlige personskader.

Gem alle advarsler og anvisninger til senere brug.

Begrebet "elværktøj", der benyttes i nedenstående advarsler, henviser til nedrevet elværktøj (med netledning) eller batteridrevet elværktøj (uden netledning).

1. Sikkerhed i arbejdsområdet

- Hold arbejdsområdet rent og godt oplyst.** Rodede og uoplyste områder øger risikoen for ulykkeligheder.
- Brug ikke elværktøj i eksplosive omgivelser, f.eks. hvor der er brændbare væsker, gasser eller støv.** Elværktøj kan forårsage gnister, der kan antænde støv eller dampe.
- Hold børn og andre personer på afstand, når et elværktøj er i brug.** Du kan miste kontrollen over værktøjet, hvis du distraheres.

2. Elektricitet og sikkerhed

- Elværktøjsstik skal passe til stikkontakten. Stikket må under ingen omstændigheder ændres. Brug ikke adapterstik sammen med jordforbundet elværktøj.** Uændrede stik, der passer til stikkontakterne, nedsætter risikoen for elektrisk stød.
- Undgå kropskontakt med jordforbundne overflader som f.eks. rør, radiatorer, komfurer og køleskabe.** Hvis din krop er jordforbundet, øges risikoen for elektrisk stød.
- Elværktøj må ikke udsættes for regn eller fugt.** Indtrængen af vand i elværktøj øger risikoen for elektrisk stød.
- Ødelæg ikke ledningen. Bær, træk eller afbryd ikke elværktøjet vha. ledningen. Beskyt ledningen mod varme, olie, skarpe kanter eller maskindele, der er i bevægelse.** Beskadigede eller sammenfiltrede ledninger øger risikoen for elektrisk stød.
- Hvis elværktøj benyttes i det fri, skal der benyttes en forlængerledning, som er godkendt til udendørs brug.** Brug af en forlængerledning til udendørs brug nedsætter risikoen for elektrisk stød.

- Brug en strømkilde med fejlstrømsbeskyttelse, hvis det er uundgåeligt at anvende elværktøj på fugtige steder.** Med en fejlstrømsbeskyttelse reduceres risikoen for elektrisk stød.

3. Personlig sikkerhed

- Vær opmærksom, hold øje med, hvad du laver, og brug elværktøjet fornuftigt. Brug ikke et elværktøj, hvis du er træt eller påvirket af stoffer, medicin eller alkohol.** Få sekundær uopmærksomhed ved brug af elværktøjet kan føre til alvorlige personskader.
 - Brug personlige værnemidler. Brug altid beskyttelsesbriller.** Brug af værnemidler som f.eks. støvmaske, skridsikket fodtøj, beskyttelseshjelm eller høreværn nedsætter risikoen for personskader, hvis udstyret anvendes korrekt.
 - Sørg for, at værktøjet ikke kan starte utilsigtet. Kontroller, at afbryderkontakten står på slukket, inden værktøjet tilsluttes strømkilden og/eller batteriet, samles op eller bæres.** Bæres elværktøj, mens fingeren er på kontakten, eller tilsluttes det, mens kontakten står på tændt, kan der nemt ske en ulykke.
 - Fjern indstillingsværktøj eller skruenøgle, inden elværktøjet tændes.** Et værktøj eller en nøgle, der efterlades i en roterende del i elværktøjet, kan resultere i personskader.
 - Stræk dig ikke for langt. Sørg for, at du altid har sikkert fodfæste og balance.** Det gør det nemmere at kontrollere elværktøjet, hvis der skulle opstå uventede situationer.
 - Brug egnet arbejdstøj. Undgå løse beklædningsgenstande eller smykker. Hold hår, tøj og handsker væk fra dele, der bevæger sig.** Bevægelige dele kan gribe fat i løstsiddende tøj, smykker eller langt hår.
 - Hvis støvudsugnings- og opsamlingsudstyr kan monteres, er det vigtigt, at dette tilsluttes og benyttes korrekt.** Brug af udstyr til opsamling af støv kan nedsætte risikoen for støvrelateret personskade.
- #### 4. Brug og vedligeholdelse af elværktøj
- Undgå at overbelaste elværktøjet. Brug altid det rette elværktøj til opgaven.** Med det rigtige elværktøj udføres arbejdet lettere og sikrere og i det tempo, som værktøjet er beregnet til.
 - Brug ikke elværktøjet, hvis afbryderen er defekt.** Elværktøj, der ikke kan afbrydes, er farligt og skal repareres.
 - Træk stikket ud af stikkontakten og/eller batteriet inden indstilling, tilbehørsudskiftning eller opbevaring af elværktøjet.** Disse sikkerhedsforanstaltninger reducerer risikoen for utilsigtet start af værktøjet.

- d. **Opbevar ubenyttet elværktøj uden for børns rækkevidde.** Lad aldrig personer, der ikke er fortrolige med elværktøj, eller som ikke har gennemlæst disse instruktioner, benytte maskinen. Elværktøj er farligt, hvis det benyttes af ukyndige personer.
- e. **Elværktøj bør vedligeholdes omhyggeligt. Kontroller, om bevægelige dele er skæve og ikke sidder fast, og om delene er brækket eller beskadiget, så elværktøjets funktion påvirkes.** Få beskadigede dele repareret, inden elværktøjet tages i brug. Mange uheld skyldes dårligt vedligeholdt elværktøj.
- f. **Sørg for, at skæreværktøjer er skarpe og rene.** Ordentligt vedligeholdt skæreværktøj med skarpe skærekanter sætter sig ikke så hurtigt fast og er nemmere at styre.
- g. **Brug elværktøjet, tilbehøret, indsatsværktøj osv. i overensstemmelse med disse instruktioner under hensyntagen til arbejdsforholdene og arbejdet, der skal udføres med værktøjet.** I tilfælde af anvendelse af elværktøjet til formål, som ligger uden for det fastsatte anvendelsesområde, kan der opstå farlige situationer.
5. **Service**
- a. **Få altid elværktøjet repareret af kvalificerede fagfolk med udelukkende identiske reservedele.** Dermed opretholdes elværktøjets sikkerhed.

Yderligere sikkerhedsadvarsler for elværktøj



Advarsel! Yderligere sikkerhedsadvarsler for kædesave

- ◆ **Hold alle dele af kroppen væk fra savkæden, når kædesaven anvendes.** Før du starter kædesaven, skal du sikre dig, at savkæden ikke er i kontakt med noget. Få sekundær uopmærksomhed ved brugen af kædesave kan medføre, at dit tøj eller din krop kommer i kontakt med kædesaven.
- ◆ **Hold altid kædesaven med højre hånd på det bageste håndtag og venstre hånd på det forreste håndtag.** Hold aldrig kædesaven med hænderne placeret omvendt, da dette øger risikoen for personskade.
- ◆ **Hold kun i elværktøjets isolerede grebflader, da savkæden kan komme i kontakt med skjulte ledninger eller værktøjets ledning.** Hvis savkæder kommer i kontakt med en strømførende ledning, bliver elværktøjets blottede dele strømførende, så brugeren får stød.
- ◆ **Bær beskyttelsesbriller og høreværn.** Det anbefales at benytte yderligere beskyttelsesudstyr til hoved, hænder, ben og fødder. Tilstrækkelig beskyttende beklædning mindsker personskaden i tilfælde af flyvende materiale eller kontakt med savkæden ved et uheld.

- ◆ **Anvend ikke kædesaven i et træ.** Anvendelse af kædesaven, mens man befinder sig i et træ, kan medføre personskade.
- ◆ **Sørg altid for at have et godt fodfæste, og brug kun kædesaven, når du står på en fast, solid og jævn overflade.** Glatte eller ustabile overflader som f.eks. stiger kan medføre, at du mister balancen eller kontrollen med kædesaven.
- ◆ **Ved savning i en stammedel, der står under spænding, skal du være opmærksom på eventuel tilbagefjedring.** Når spændingen i træfibrene udløses, kan den fjederbelastede stammedel ramme brugeren og/eller bringe kædesaven ud af kontrol.
- ◆ **Udvis stor forsigtighed ved savning i småkviste og unge træer.** Det tynde materiale kan gribe fat i savkæden og blive slynget tilbage mod dig eller skubbe dig ud af balance.
- ◆ **Bær kædesaven i det forreste håndtag med kædesaven slukket og vendt bort fra kroppen. Monter altid sværdækslet ved transport eller opbevaring af kædesaven.** Korrekt håndtering af kædesaven mindsker risikoen for at komme i berøring med savkæden ved et uheld, mens den kører.
- ◆ **Følg instruktionerne vedrørende smøring, stramning af kæden og udskiftning af tilbehør.** Forkert strammede eller smurte kæder kan knække eller forøge risikoen for tilbageslag.
- ◆ **Hold håndtagene tørre, rene og fri for olie og fedt.** Fedtede håndtag er glatte og kan forårsage, at du mister kontrollen over maskinen.
- ◆ **Sav kun i træ. Brug ikke kædesaven til formål, den ikke er beregnet til. Brug for eksempel ikke kædesaven til at save i plastik, murværk eller byggematerialer, som ikke er af træ.** Hvis kædesaven anvendes til andre formål, end den er beregnet til, kan der opstå farlige situationer.

Årsager til og undgåelse af tilbageslag (kickback)

Tilbageslag kan forekomme, når spidsen af sværdet berører en genstand, eller når træet lukkes sammen, så savkæden kommer i klemme i snittet. Kontakt på spidsen kan forårsage en pludselig modsat reaktion, så sværdet slås opad og bagud mod brugeren. Fastklemning af savkæden oven på sværdet kan medføre, at sværdet skubbes hurtigt tilbage mod brugeren. Begge disse reaktioner kan føre til, at du mister kontrollen med kædesaven, hvilket kan medføre alvorlig personskade. Du må ikke udelukkende forlade dig på de indbyggede sikkerhedsfunktioner i kædesaven. Som bruger af en kædesav skal du træffe en række forholdsregler for at undgå uheld eller personskade, når du arbejder. Et tilbageslag (kickback) opstår som følge af forkert brug eller misbrug af værktøjet. Det kan undgås ved at tage nedenstående forholdsregler:

- ◆ **Hold godt fast, således at tommelfingeren og de øvrige fingre griber omkring håndtagene på kædesaven. Hold begge hænder på kædesaven, og placer kroppen og armen, så du kan modstå tilbageslagskraften.** Tilbageslagskræfterne kan kontrolleres af brugeren, hvis der træffes de nødvendige forholdsregler. Slip ikke kædesaven.
- ◆ **Ræk dig ikke for langt, og undlad at save over skulderhøjde.** Derved undgås berøring af spidsen ved et uheld, og du har bedre kontrol med kædesaven i uventede situationer.
- ◆ **Anvend kun udskiftningssværd og -kæder, som er godkendt af producenten.** Forkerte udskiftningssværd og -kæder kan medføre, at kæden knækker, og/eller tilbageslag.
- ◆ **Følg producentens instruktioner vedrørende slibning og vedligeholdelse af savkæden.** Hvis dybdemålerens højde reduceres, forøges risikoen for tilbageslag.
- ◆ Hvis sværdet rammer metal, cement eller andre hårde materialer ved siden af eller indlejret i træet, kan der forekomme tilbageslag.
- ◆ En sløv eller løs kæde kan forårsage tilbageslag.
- ◆ Forsøg ikke at sætte saven i et tidligere snit. Dette kan medføre tilbageslag. Lav et nyt snit hver gang.

Sikkerhedsanbefalinger for kædesaven

- ◆ Vi anbefaler kraftigt, at førstegangsbrugere modtager praktisk vejledning i brugen af kædesaven og beskyttelsesudstyr fra en øvet bruger. Indledende øvelser bør udføres ved at save i stammer på en savbuk eller et stativ.
- ◆ Kædesaven skal vedligeholdes, når den ikke er i brug. Kædesaven må ikke opbevares i længere tid, uden at savkæden og sværdet er afmonteret. Disse dele skal opbevares neddyppet i olie. Opbevar alle kædesavens dele på et tørt, sikkert sted uden for børns rækkevidde.
- ◆ Vi anbefaler, at du tømmer oliebeholderen, før kædesaven lægges til opbevaring.
- ◆ Sørg for, at du har et sikkert fodfæste, og planlæg en sikker flugtvej fra et faldende træ eller faldende grene, før savningen påbegyndes.
- ◆ Brug kiler til at hjælpe med at styre fældningen og forhindre, at sværdet og savkæden sætter sig fast i træet.
- ◆ Behandling af savkæden. Hold savkæden skarp og stram på sværdet. Sørg for, at savkæden og sværdet er rene og velsmurte. Sørg for, at håndtagene er tørre, rene og fri for olie og fedt.

Undgå at save

- ◆ Forarbejdet tømmer.
- ◆ I jord.
- ◆ I trådhegn, søm osv.

Yderligere sikkerhedsvejledninger

- ◆ Sørg for, at der står en anden person i nærheden (men i sikker afstand), hvis der skulle ske et uheld.
- ◆ Hvis du af en eller anden grund skal røre ved savkæden, skal du sørge for, at kædesaven er afbrudt ved stikkontakt.
- ◆ Støjen fra dette produkt kan overstige 85 dB(A). Vi anbefaler derfor, at du tager de relevante forholdsregler til beskyttelse af hørelsen.
- ◆ **Sværdet kan blive varmt, når produktet anvendes. Vær forsigtig ved omgangen med det.**

Andres sikkerhed

- ◆ Dette apparat må ikke bruges af personer (herunder børn) med nedsatte fysiske, sensoriske eller mentale evner eller manglende erfaring og viden, med mindre det sker under overvågning, eller der gives instruktion i brugen af apparatet af en person, der er ansvarlig for deres sikkerhed.
- ◆ Børn skal holdes under opsyn, så det sikres, at de ikke leger med værktøjet.

Restrisici.

Der kan opstå yderligere restrisici under brugen af værktøjet, som ikke kan medtages i vedlagte sikkerhedsadvarsler. Disse risici kan opstå pga. forkert anvendelse, langvarig brug etc. Selv ved overholdelse af relevante sikkerhedsforskrifter og anvendelse af sikkerhedsudstyr kan visse restrisici ikke undgås. Disse omfatter:

- ◆ Tilskadekomst forårsaget af berøring af roterende/bevægelige dele.
- ◆ Tilskadekomst forårsaget af udskiftning af dele, klinger eller tilbehør.
- ◆ Tilskadekomst forårsaget af langvarig brug af et værktøj. Husk at holde pause jævnligt ved brug af et værktøj i længere tid.
- ◆ Høreskader.
- ◆ Sundhedsrisici forårsaget af indånding af støv, der genereres ved brug af værktøjet (eksempel: Arbejde med træ, især, eg, bøg og MDF).

Vibration

De angivne værdier for udsendelse af vibration opført under de tekniske data og overensstemmelseserklæringen er målt i henhold til standardtestmetoden anført i EN 60745 og kan bruges til at sammenligne ét værktøj med et andet. Den angivne værdi for udsendelse af vibration kan også bruges som en foreløbig vurdering af eksponeringen.

Advarsel! Værdien for udsendelse af vibration ved faktisk brug af elværktøjet kan afvige fra den angivne værdi afhængig af måden, værktøjet anvendes på.

Vibrationsniveauet kan overstige det angivne niveau. I vurderingen af eksponeringen for vibration med henblik på fastsættelse af sikkerhedsforanstaltninger som krævet i 2002/44/EF til beskyttelse af personer, der jævnligt anvender elværktøj i deres arbejde, skal der tages hensyn til de faktiske betingelser under brugen, og måden værktøjet bruges på, herunder alle arbejdsrytternes elementer, f.eks. perioder, hvor værktøjet er slukket og kører i tomgang tillige med startperioderne.

Mærkatet på værktøjet

Følgende symboler er anbragt på værktøjet:



Advarsel! Brugeren skal læse brugervejledningen for at reducere risikoen for tilskadekomst.



Bær beskyttelses- eller sikkerhedsbriller, når du bruger dette værktøj.



Bær høreværn, når du bruger dette værktøj.



Udsæt ikke værktøjet for regn eller høj luftfugtighed.



Direktiv 2000/14/EF garanteret lydeffekt.



Tag straks stikket ud af stikkontakten, hvis ledningen er beskadiget, eller der er skåret i den.



Forsigtig: Stram ikke for meget. Stram med hånden. Skal kun være fingerstram.

Elektricitet og sikkerhed



Denne maskine er dobbelt isoleret. Derfor er en jordledning ikke nødvendig. Kontroller altid, at strømforsyningen svarer til spændingen på typeskiltet.

- ◆ Hvis netledningen beskadiges, skal den udskiftes af producenten eller et autoriseret BLACK+DECKER-værksted, så farlige situationer undgås.

Brug af en forlængerledning

- ◆ Brug altid en godkendt forlængerledning, der er egnet til dette værktøjs strømstik (se de tekniske data). Forlængerledningen skal være egnet til udendørs brug og mærket i overensstemmelse hermed. Der kan bruges en HO7RN-F 2 X-forlængerledning på op til 30 m med et tværsnit på 1,5 mm², uden at produktets ydeevne forringes. Før brug skal forlængerledningen inspiceres for tegn på beskadigelse, slid og ældning. Udskift forlængerledningen, hvis den er beskadiget eller defekt. Rul ledningen helt ud, hvis der anvendes en kabeltromle.

Spændingsfald

- ◆ Under visse strømforsyningsforhold kan dette produkt ved start forårsage kortvarige spændingsfald.
- ◆ Det kan påvirke andet udstyr. Den elektriske belysning kan f.eks. kortvarigt blive svagere.
- ◆ Kontakt om nødvendigt elværket for at få oplyst, om strømforsyningens impedans er under 0.172/0.293 ohm. Der opstår sandsynligvis ikke forstyrrelser under disse forhold.

Beskyttelse mod elektrisk stød

- ◆ Undgå kropskontakt med jordede overflader (f.eks. metalgelændere, lygtepæle osv.). Den elektriske sikkerhed kan forbedres yderligere ved brug af en højfølsom (30 mA / 30 mS) fejlstrømsafbryder.



Advarsel! Brug af en fejlstrømsafbryder eller en anden kredsløbsafbryder fritager ikke brugeren af kædesaven fra de sikkerhedsinstruktioner og sikre arbejdsmetoder, der er anvist i denne brugsanvisning.

Komponenter

1. Tænd/sluk-kontakt
2. Låseknop
3. Forsideskærm/kædebremse
4. Sværd
5. Kæde
6. Kædebeskytter
7. Låseknop til justering af kæde
8. Hjul til justering af kædens stramning
9. Kædedæksel
10. Netledning
11. Netledningsholder
12. Oliedæksel
13. Indikator for oliestand

Samling



Advarsel! Bær altid beskyttelseshandsker, når du arbejder med kædesaven.



Advarsel! Før samling af elværktøj, eller før der udføres vedligeholdelse på elværktøj, skal det slukkes, og stikket skal tages ud af stikkontakten.



Advarsel! Fjern kabelbåndet, som holder kæden fast på sværdet, før samling.

Smøring af kæden

Du skal gøre dette, hver gang du bruger en ny kæde (5) for første gang. Lad den nye kæde (5) ligge i kædeolie i mindst en time, før den tages i brug. Anvend kædeolie fra BLACK+DECKER. Vi anbefaler, at du kun bruger BLACK+DECKER-olie i hele kædesavens levetid, da en blanding af forskellige olier kan medføre, at olien nedbrydes, hvilket kan forkorte savkædens levetid væsentligt samt skabe farlige situationer. Brug aldrig spildolie, tyk olie eller meget tynd symaskineolie. Disse kan beskadige kædesaven.

Montering af kæden og sværdet. (fig. A - E)

- ◆ Anbring kædesaven på en stabil overflade.
- ◆ Sæt forsideskærmen/kædebremsen (3) i positionen fremad (fig. A).
- ◆ Drej låseknappen til justering af kæden (7) mod uret for at fjerne kædebeskytteren (6) (fig. B).
- ◆ Læg kæden (5) omkring sværdet (4), og sørg for, at tænderne på savkæden på den øverste del af sværdet (4) vender mod forsiden (fig. C).
- ◆ Før kæden (5) omkring sværdet (4), og træk i den for at danne en løkke på den ene side ved bagenden af sværdet (4).
- ◆ Før kæden (5) omkring kædetrækket (14), anbring åbningen i sværdet ud for det midterste hul i hjulet til stramning af kæden (16) med skruen (15) (fig. D).

Bemærk! Drej om nødvendigt hjulet til stramning af kæden, så midterhullet befinder sig ud for skruen (15).

Advarsel! Kontroller, at forsideskærmen/kædebremsen (3) er i den indstillede position (fremad), før den monteres igen (fig. A).

- ◆ Monter kædebeskytteren (6) på kædesaven.
- ◆ Sørg for, at tappen (17) på kædebeskytteren bliver placeret rigtigt i åbningen (18) på huset (fig. E).
- ◆ Drej låseknappen til justering af kæden (7) med uret, indtil den er strammet.
- ◆ Kontroller stramningen - se 'Kontrol af kædestramningen' nedenfor.
- ◆ Hvis kædestramningen er slap - se 'Forøgelse af kædestramningen' nedenfor.

Kontrol af kædestramningen (indsat fig. F)

Før brugen og for hver 10 minutters brug skal kædens stramning kontrolleres.

- ◆ Træk værktøjets ledning ud af stikkontakten
- ◆ Træk let i kæden (5) som vist (indsat fig. F). Stramningen er korrekt, hvis kæden (5) springer tilbage efter at være trukket 3 mm væk fra sværdet (4). Der må ikke være nogen "nedbøjning" mellem sværdet (4) og kæden (5) på undersiden (fig. G).

Forøgelse af kædestramningen (fig. B)

- ◆ Løsn låseknappen til justering af kæden (7) ved at dreje den en halv omgang mod uret.
- ◆ Drej hjulet til justering af kædestramningen (8) med uret, indtil der mærkes en let modstand.
- ◆ Kontroller stramningen - se 'Kontrol af kædestramningen'.
- ◆ Hvis indstillingen er tilfredsstillende, strammes låseknappen (7) igen, og hvis der er brug for yderligere kædestramning, drejes hjulet til justering af kædestramningen (8) mere. Stram derefter låseknappen (7) igen.

Bemærk! Kæden må ikke strammes for meget, da det vil medføre større slid og reducerer sværdets og kædens levetid. **Bemærk:** Når kæden er ny, skal stramningen kontrolleres ofte (efter at stikket er taget ud af stikkontakten) under de første 2 timers brug, da en ny kæde strækker sig en smule.

Anvendelse

Advarsel! Lad værktøjet arbejde i dets eget tempo. Det må ikke overbelastes.

Påfyldning af oliebeholderen (fig. H)

- ◆ Fjern oliedækslet (12), og fyld beholderen med den anbefalede kædeolie. Du kan se oliestanden på indikatoren for oliestand (13). Sæt oliedækslet (12) på igen.
- ◆ Sluk regelmæssigt, og kontroller indikatoren for oliestand (13); hvis beholderen er mindre end kvart fyldt, skal du tage kædesaven ud af stikkontakten og fylde op med den korrekte olie. Denne kædesav er udstyret med et automatisk smøresystem, der holder savkæden og sværdet smurt kontinuerligt. Vi anbefaler, at du kun bruger BLACK+DECKER-olie i hele kædesavens levetid, da en blanding af forskellige olier kan medføre, at olien nedbrydes, hvilket kan forkorte savkædens levetid væsentligt samt skabe farlige situationer. Brug aldrig spildolie, tyk olie eller meget tynd symaskineolie. Disse kan beskadige din kædesav. Brug kun olie af korrekt kvalitet (kat. nr. A6023-QZ).
- ◆ Kædesaven tilfører automatisk olie til kæden under brug.

Sådan indstilles kædebremsen (fig. A)

- ◆ Kontroller, at værktøjet er afbrudt ved stikkontakten.
- ◆ Træk forsideskærmen/kædebremsen (3) tilbage til den "indstillede" position (fig. A).

- ◆ Værktøjet er nu klar til brug.

Tænd

Bemærk! Det er ikke muligt at tænde for værktøjet, hvis forsideskærmen/kædebremsen ikke er i den "indstillede" position.

- ◆ Hold fast i kædesaven med begge hænder. Tryk på låseknappen (2), og derefter på tænd/sluk-kontakten (1) for at starte.
- ◆ Når motoren starter, skal du fjerne tommelfingeren fra låseknappen (2) og gribe fast om håndtaget. Overbelast ikke værktøjet, lad værktøjet gøre arbejdet. Værktøjet arbejder bedre og sikrere med den hastighed, det er designet til. Savkæden (5) udvider sig, hvis den udsættes for pres.

Sådan fungerer anti-tilbageslagskædebremsen

I tilfælde af tilbageslag kommer din venstre hånd i kontakt med forsideskærmen og skubber den fremad mod arbejdsområdet, så værktøjet standses på en brøkdæl af et sekund.

Sådan testes anti-tilbageslagskædebremsen (fig. A)

- ◆ Kontroller altid inden brug, at tilbageslagsbremsen fungerer korrekt.
- ◆ Grib fast om værktøjet med begge hænder på en fast overflade. Sørg for, at savkæden (5) er fri af jorden, og tænd for værktøjet (se afsnittet "Sådan tændes for kædesaven").
- ◆ Drej venstre hånd fremad omkring det forreste håndtag, så bagsiden af hånden rører ved forsideskærmen/kædebremsen (3), og skub den fremad mod arbejdsområdet (fig. A). Savkæden (5) skal nu standse på en brøkdæl af et sekund. Følg anvisningerne for "Sådan indstilles kædebremsen" for at nulstille efter betjening af forsideskærmen/kædebremsen (3).

Bemærk! Undgå at genstarte værktøjet, indtil du kan høre, at motoren er helt standset.

Bemærk: Indlever produktet til et autoriseret BLACK+DECKER-servicecenter, hvis kædebremsen ikke fungerer korrekt.

Hvis savkæden (5) eller sværdet (4) kommer i klemme

- ◆ Sluk værktøjet.
- ◆ Træk værktøjets ledning ud af stikkontakten.
- ◆ Åbn snittet med kiler for at mindske belastningen på sværdet (4). Prøv ikke at vride kædesaven fri.
- ◆ Sav igen et nyt sted.

Fældning (fig. I - K)

Uerfarne brugere bør ikke forsøge at fælde træer. Brugeren kan komme til skade eller beskadige ejendom, hvis faldretningen ikke kontrolleres, træet kan splintre, eller beskadigede/døde grene kan falde ned under savningen. Sikkerhedsafstanden mellem et træ, der skal fældes, og tilskuere, bygninger og andre genstande er mindst 2 1/2 gange træets højde. Enhver anden person, bygning eller genstand inden for denne afstand risikerer at blive ramt af træet, når det fældes.

Før du forsøger at fælde et træ:

- ◆ Kontroller, at der ikke er lokale vedtægter eller bestemmelser, som forbyder eller begrænser fældning af træer.
- ◆ Tag alle forhold, som kan påvirke faldretningen, i betragtning, herunder:
 - ◆ Den tilsigtede faldretning.
 - ◆ Træets naturlige hældning.
 - ◆ En usædvanligt tung stammestruktur eller forrådnelse.
 - ◆ Omkringstående træer og hindringer inkl. el-ledninger og underjordiske rør.
 - ◆ Vindens hastighed og retning.

Planlæg en sikker flugtvej fra faldende træer eller grene. Sørg for, at denne flugtvej er fri for genstande, der kan forhindre eller besværliggøre bevægelse. Husk, at vådt græs og nyskåret bark er glat.

- ◆ Forsøg ikke at fælde træer, hvis diameter er større end kædesavens skærelængde.
- ◆ Sav et retningssnit for at bestemme faldretningen.
- ◆ Lav et vandret snit til en dybde af mellem 1/5 og 1/3 af træets diameter vinkelret på faldlinjen nederst på træet (fig. I).
- ◆ Lav yderligere et snit ovenfra, så det skærer det første i en vinkel på omkring 45°.
- ◆ Skær et enkelt vandret fældningssnit fra den anden side 25 mm til 50 mm over midten af retningssnittet (fig. J). Undgå at skære igennem til retningssnittet, da du kan miste kontrollen med faldretningen.
- ◆ Driv én eller flere kiler ind i dette snit for at åbne det og få træet til at falde (fig. K).

Beskæring af træer

Kontroller, at der ikke er lokale vedtægter eller bestemmelser, som forbyder eller begrænser beskæring af træer. Beskæring må kun udføres af erfarne brugere, da der er forøget risiko for, at savkæden klemmes fast og medfører tilbageslag.

Før beskæring skal du overveje de forhold, der påvirker faldretningen, bl.a.:

- ◆ Længde og vægt af den gren, der skal skæres af.
- ◆ En usædvanligt tung stammestruktur eller forrådnelse.
- ◆ Omkringstående træer og hindringer inkl. el-ledninger.
- ◆ Vindens hastighed og retning.

- ◆ At grenen flettes ind i andre grene. Brugeren skal overveje adgangen til grenen og faldretningen. Grenen vil sandsynligvis svinge mod træstammen. Ud over brugeren er der fare for tilskuere, genstande og ejendom under grenen.
- ◆ For at undgå splintring skal der først skæres et snit opad til maks. en tredjedel af grenens tykkelse.
- ◆ Det andet snit skæres nedefter, så det møder det første.

Kapning (fig. L - O)

Den måde, du skal skære på, afhænger af, hvordan stammen er understøttet. Brug en savbuk, når det er muligt. Start altid et snit med kæden kørende og den takkede kant (20) i berøring med træet (fig. L). Færdiggør snittet med en drejebævegelse af den takkede kant mod træet.

Hvis stammen er understøttet i hele sin længde:

- ◆ Lav et nedadgående snit, men undgå at skære i jorden, da dette hurtigt vil kunne forringe savkæden.

Hvis stammen er understøttet i begge ender:

- ◆ Skær først en tredjedel ned for at undgå splintring, og skær op for at møde det første snit.

Hvis stammen er understøttet i den ene ende:

- ◆ Skær først en tredjedel opad for at undgå splintring, og skær derefter nedad for at forhindre splintring.

Hvis du står på en skråning:

- ◆ Stå altid oven for arbejdsstedet.

Hvis du vil save i en træstamme, der ligger på jorden (fig. M):

- ◆ Fastgør arbejdsemnet vha. klodser eller kiler. Brugeren eller tilskuere må ikke støtte stammen ved at sidde eller stå på den. Sørg for, at savkæden ikke berører jorden.

Ved brug af en savbuk (fig. N):

Dette anbefales kraftigt, når det er muligt.

- ◆ Anbring stammen, så den ligger stabilt. Skær altid på ydersiden af savbukkens arme. Brug klemmer eller remme til at fastgøre arbejdsemnet.

Afskæring af grene (fig. O)

Fjernelse af grene fra et faldet træ. Ved afskæring af grene skæres de nederste store grene ikke af, så de kan holde stammen oppe fra jorden. Fjern de små grene med ét snit. Grene, der er i spænd, skal skæres fra den nederste del af grenen mod toppen for at undgå, at kædesaven sætter sig fast. Afskær grene fra modstående side, og hold træstammen mellem dig selv og saven. Skær aldrig med saven mellem benene, eller mens du sidder overskrævs på den gren, der skal skæres.

Fejlfinding

Problem	Mulig årsag	Mulig løsning
Værktøjet vil ikke starte	Låseknappen ikke trykket ind.	Tryk på låseknappen.
	Forsideskærmen i bremseposition	Nulstil forsideskærmen
	En sikring er gået	Udskift sikringen
	Fejlstrømsbeskyttelsen har slået fra	Kontroller fejlstrømsbeskyttelsen
	Ledningen er ikke sat i	Kontroller netforsyningen
Kæden stopper ikke i løbet af 2 sekunder, når værktøjet slukkes	Kædens stramning er for løs	Kontroller kædens stramning
Sværdet/kæden varm/rygende	Oliebeholder tom	Kontroller oliebeholderniveauet
	Oliehul i sværdet blokeret	Rengør oliehullerne (21 - fig. E), og rens rillen omkring kanten af sværdet.
	Kædens stramning er for fast	Kontroller kædens stramning
	Sværdets trækspids trænger til smøring	Smør sværdets trækspids
Kædesaven saver ikke ordentligt	Kæden påsat baglæns	Kontroller/korriger kædens retning
		Slib
Kædesaven bruger ikke olie	Snavs i beholderen	Tap olien af beholderen, og fyld nu olie på
	Oliehul i dæksel blokeret	Fjern snavs fra hullet
	Snavs i sværdet	Fjern snavs, og rengør sværdet
	Snavs i olieudløbet	Fjern snavs

Vedligeholdelse

Regelmæssig vedligeholdelse sikrer en lang effektiv levetid for værktøjet. Vi anbefaler, at du udfører følgende kontrol med jævne mellemrum.

Advarsel! Førf udførelse af nogen form for vedligeholdelse på elværktøj:

- ◆ Sluk værktøjet, og træk ledningen ud af stikkontakten.

Oliestand

Niveaueet i beholderen må ikke komme ned under kvart fuld.

Savkæden og sværdet (fig. F)

- ◆ Tag sværdet (4) og savkæden (5) af, hver gang saven har været brugt nogle timer og før opbevaring, og rengør dem omhyggeligt.
- ◆ Kontroller, at skærmen er ren og fri for fremmedlegemer.
- ◆ Når delene monteres igen, skal sværdet (4) drejes 180°, og hjulet til stramning af kæden skal fjernes med en skruetrækker og derefter monteres på den modsatte side af sværdet.

Advarsel! Stram ikke for meget.

- ◆ Trækspidsen skal smøres gennem træksmørehullet (19). Derved sikres en jævn fordeling af slidet omkring sværdskinnerne.

Slibning af savkæden

Hvis værktøjet skal yde sit bedste, er det vigtigt at holde tænderne på savkæden skarpe. Du finder slibevejledningen på slibesættet. Til dette formål anbefaler vi BLACK+DECKER-slibesæt til savkæder (fås hos BLACK+DECKER-forhandlere og andre udvalgte forhandlere).

Udskiftning af slidte savkæder

Udskiftningssavkæder fås i detailhandelen eller hos BLACK+DECKER-forhandlere. Brug altid originale reservedele.

Savkædens skarphed

Skærene på savkæden bliver øjeblikkeligt sløve, hvis de berører jorden eller et søm under savning.

Savkædens stramning

Kontroller regelmæssigt savkædens stramning.

Hvad du skal gøre, hvis kædesaven skal repareres.

Denne kædesav er fremstillet i overensstemmelse med de relevante sikkerhedsforskrifter. Reparationer må kun foretages af en kvalificeret person, som bruger originale reservedele. I modsat fald kan der opstå betydelig fare for brugeren. Vi anbefaler, at du opbevarer denne brugsanvisning et sikkert sted.

Udskiftning af stik (kun Storbritannien og Irland)

Sådan monteres et nyt stik:

- ◆ Det gamle stik skal bortskaffes på en sikker måde.
- ◆ Slut den brune ledning til den strømførende klemme på det nye stik.
- ◆ Slut den blå ledning til den neutrale klemme.

Advarsel! Der skal ikke foretages nogen tilslutning til jordklemmen. Følg de monteringsanvisninger, der leveres sammen med kvalitetsstik. Anbefalet sikring: 13 A.

Miljøbeskyttelse



Separat bortskaffelse. Dette produkt må ikke bortskaffes sammen med almindeligt husholdningsaffald.

Når dit BLACK+DECKER-produkt en dag er udtjent, eller du ikke længere har brug for det, må du ikke smide det ud sammen med det almindelige affald. Produktet skal bortskaffes separat.



Ved separat bortskaffelse af brugte produkter og emballage bliver der mulighed for at genanvende forskellige materialer. Genanvendelse af materialer medvirker til at forebygge miljøforurening og mindsker behovet for råstoffer.

Lokal lovgivning kan kræve separat indsamling af elektriske husholdningsapparater på kommunale affaldsdepoter eller af den detailhandlende ved køb af et nyt produkt.

BLACK+DECKER sørger for at indsamle og genanvende BLACK+DECKER-produkter, når disse ikke længere kan bruges. Hvis du vil benytte dig af denne service, skal du returnere produktet til et autoriseret værksted, der indsamler produkterne for os.

Kontakt det lokale BLACK+DECKER-kontor på den adresse, der er opgivet i denne vejledning, for at få oplysninger om nærmeste autoriserede værksted. En liste over alle autoriserede BLACK+DECKER-serviceværksteder samt servicevilkår og kontaktpersoner er tilgængelig på internettet på adressen: www.2helpU.com

Tekniske data

		CS2040 (Type 1)	CS2245 (Type 1)
Spænding	V _{ac}	230 V	230 V
Indgangseffekt	W	2000 W	2200 W
længde	mm	400	450
Kædehastighed (ubelastet)	m/s	12.5m/s	12.5m/s
Maks. skærelængde	mm	397	436
Oliekapacitet	ml	200 ml	150 ml
Vægt	kg	5.5	5.66
Sikkerhedsklasse		II	II

Lydtrykniveau i henhold til EN 60745:
L_{pA} (lydtryk) 85.7/95 dB(A), usikkerhed (K) 3/2.5 dB(A)
L_{WA} (lydeffekt) 102.1/106dB(A), usikkerhed (K) 3/2.5 dB(A)

Samlede værdier for vibration (triaksial vektorsum) i henhold til EN 60745:
Værdi for udsendelse af vibration (a_{wv}) 4.5/5.5 m/s ² , usikkerhed (K) 1.5 m/s ²

EU-overensstemmelseserklæring

MASKINDIREKTIV DIREKTIV OM

STØJEMISSION FRA MASKINER TIL UDENDØRS BRUG



CS2040/CS2245

Black & Decker erklærer, at produkterne beskrevet under "Tekniske data" er i overensstemmelse med: 2006/42/EF, EN 60745-1, EN 60745-2-13 2006/42/EF, Kædesav, Annex IV

TÜV Rheinland LGA Products GmbH;
Tillystraße 2 D - 90431 Nürnberg, Germany;

Notified Body ID No.: 0197 Lydintensitetsniveau i henhold til 2000/14/EF (Artikel 13, Annex III):

L_{WA} (målt lydeffekt) 102.1/106 dB(A)
Usikkerhed (K) 3/2.5dB(A)

L_{WA} (garanteret lydeffekt) 109/110 dB(A)

Disse produkter er endvidere i overensstemmelse med direktiv 2014/30/EU og 2011/65/EU.

Kontakt Black & Decker på nedenstående adresse eller se vejledningens bagside for at få flere oplysninger.

Undertegnede er ansvarlig for udarbejdelsen af de tekniske data og fremsætter denne erklæring på vegne af Black & Decker.

R. Laverick
Engineering Manager
Black & Decker Europe, 210 Bath Road, Slough,
Berkshire, SL1 3YD
Storbritannien
10/09/2014

Garanti

Black & Decker garanterer, at produktet er fri for skader og fejl, og tilbyder en fremragende garanti. Garantien er et tillæg til forbrugers lovsikrede rettigheder og påvirker ikke disse. Garantien gælder inden for medlemsstaterne af den Europæiske Union og i det Europæiske Frihandelsområde.

Hvis et Black & Decker-produkt går i stykker på grund af materiel skade og/eller fabriktionsfejl eller på anden måde ikke fungerer i overensstemmelse med specifikationen inden for 24 måneder fra købsdatoen, påtager Black & Decker sig at reparere eller ombytte produktet med mindst mulig ulempe for kunden. Garantien gælder ikke for fejl og mangler, der er sket i forbindelse med:

- ◆ Produktet har været anvendt erhvervsomt eller til udlejning.
- ◆ Produktet har været anvendt forkert eller er ikke vedligeholdt.
- ◆ Produktet er beskadiget af fremmedlegemer, substanser eller pga. uheld.
- ◆ Garantien gælder ikke, hvis reparationer er udført af andre end et autoriseret Black & Decker-værksted.

For at udnytte garantien skal produktet og købskvitteringen indleveres til forhandleren eller til et autoriseret værksted. Kontakt det lokale Black & Decker-kontor på den adresse, der er opgivet i denne vejledning, for at få oplysninger om nærmeste autoriserede værksted. En liste over alle autoriserede Black & Decker-serviceværksteder samt servicevilkår og kontaktpersoner er tilgængelig på internettet på adressen: www.2helpU.com

Gå venligst ind på vores website www.blackanddecker.dk for at registrere dit nye BLACK+DECKER-produkt og for at blive holdt ajour om nye produkter og specialtilbud. Der findes yderligere oplysninger om mærket BLACK+DECKER og vores produktsortiment på adressen www.blackanddecker.dk

Käyttötarkoitus

BLACK+DECKER™-ketjusaha on tarkoitettu puiden kaatoon ja karsintaan sekä halkojen katkaisuun. Tämä työkalu on tarkoitettu vain yksityiskäyttöön.

Turvallisuusohjeet

Sähkötyökalujen yleiset turvavaroitukset



Varoitus! Lue kaikki turvavaroitukset ja ohjeet. Alla olevien varoitusten ja ohjeiden noudattamisen laiminlyönti saattaa johtaa sähköiskuun, tulipaloon ja/tai vakavaan loukkaantumiseen.

Säästä kaikki varoitukset ja ohjeet tulevaa käyttöä varten.

Ohjeissa käytetty käsite "sähkötyökalu" tarkoittaa verkkokäyttöisiä sähkötyökaluja (verkkojohdolla varustettuja) ja akkukäyttöisiä sähkötyökaluja (ilman verkkojohtoa).

1. Työalueen turvallisuus

- Pidä työalue puhtaana ja hyvin valaistuna.** Työpaikan epäjärjestys ja valaisemattomat työalueet voivat johtaa tapaturmiin.
- Älä käytä sähkötyökalua räjähdysalttiissa ympäristössä, jossa on palavaa nestettä, kaasua tai pölyä.** Sähkötyökalu muodostaa kipinöitä, jotka saattavat sytyttää pölyn tai höyryt.
- Pidä lapset ja sivulliset loitolla sähkötyökalua käyttäessäsi.** Voit menettää laitteesi hallinnan huomioidi suuntautuessa muualle.

2. Sähköturvallisuus

- Sähkötyökalun pistokkeen on sovitava pistorasiaan.** Pistoketta ei saa muuttaa millään tavalla. Älä käytä mitään pistorasiasovittimia maadoitettujen sähkötyökalujen kanssa. Alkuperäiset pistokkeet ja niille sopivat pistorasiat vähentävät sähköiskun vaaraa.
- Vältä koskettamasta maadoitettuja pintoja, kuten putkia, pattereita, liesiä tai jääkaappeja.** Sähköiskun vaara kasvaa, jos vartalosi on maadoitettu.
- Älä altista sähkötyökalua sateelle tai kosteudelle.** Veden tunkeutuminen sähkötyökalun sisään kasvattaa sähköiskun riskiä.
- Älä käsittele virtajohtoa kovakouraisesti. Älä käytä sitä sähkötyökalun kantamiseen, vetämiseen tai pistokkeen irrottamiseen pistorasiasta.** Pidä johto loitolla kuumuudesta, öljystä, terävistä reunoista ja liikkuvista osista. Vahingoittuneet tai sotkeutuneet johdot lisäävät sähköiskun vaaraa.
- Käyttäessäsi sähkötyökalua ulkona käytä ainoastaan ulkokäyttöön soveltuvaa jatkojohtoa.** Ulkokäyttöön soveltuvan jatkojohdon käyttö pienentää sähköiskun vaaraa.

- Jos sähkötyökalua on välttämättä käytettävä kosteassa paikassa, käytä jäännösvirtalaitteella (RCD) suojattua virtalähdettä.** Jäännösvirtalaitteen käyttö vähentää sähköiskun vaaraa.

3. Henkilöturvallisuus

- Keskity työskentelyysi ja noudata tervettä järkeä käyttäessäsi sähkötyökaluja. Älä käytä sähkötyökalua, jos olet väsynyt tai huumeiden, alkoholin tai lääkkeiden vaikutuksen alaisena.** Hetken tarkkaamattomuus sähkötyökalua käytettäessä saattaa johtaa vakavaan loukkaantumiseen.
- Käytä henkilökohtaisia suojarusteita. Käytä aina suojalaseja.** Suojarusteet, kuten hengityssuojain, luistamattomat turvajalkineet, kypärä ja kuulosuojaimet, pienentävät loukkaantumiskärsiä, jos niitä käytetään tilanteen mukaan oikein.
- Vältä tahatonta käynnistämistä. Varmista, että virta on katkaistu käyttökytkimellä, ennen kuin liität laitteen virtalähteeseen ja/tai akkuun, nostat laitteen tai kannat sitä.** Onnettomuusvaara lisääntyy, jos kannat sähkötyökalua sormi käyttökytkimellä tai kytket työkalun virtajohtoon pistorasiaan, kun käyttökytin on päällä.
- Irrota mahdollinen säätö- tai kiintoavain, ennen kuin käynnistät sahan.** Työkalu tai avain, joka sijaitsee sähkötyökalun pyöryvässä osassa, saattaa johtaa loukkaantumiseen.
- Älä kurkuta liian kauas. Seiso aina tukevasti ja tasapainossa.** Niin voit paremmin hallita sähkötyökalua odottamattomissa tilanteissa.
- Käytä tarkoitukseen soveltuvia vaatteita. Älä käytä löysiä työvaatteita tai koruja. Pidä hiukset, vaatteet ja käsineet loitolla liikkuvista osista.** Väljät vaatteet, korut ja pitkät hiukset voivat takertua liikkuviin osiin.
- Jos laitteeseen voi kiinnittää pölynkerääjän tai -imurin, tarkista, että se on paikallaan ja että se toimii kunnolla.** Pölynimurin käyttö voi vähentää pölyn aiheuttamia vaaroja.

4. Sähkötyökalujen käyttö ja hoito

- Älä ylikuormita sähkötyökalua. Käytä kulloiseinkin työhön parhaiten soveltuvaa sähkötyökalua.** Sopivaa sähkötyökalua käyttäen työskentelet paremmin ja turvallisemmin tehoalueella, jolle sähkötyökalu on tarkoitettu.
- Älä käytä sähkötyökalua, jota ei voida käynnistää ja pysäyttää virtakytkimestä.** Sähkötyökalu, jota ei enää voida käynnistää ja pysäyttää käynnistyskytkimellä, on vaarallinen, ja se täytyy korjata.

- c. **Irrota pistotulppa pistorasiasta ja/tai akku sähkötyökalusta, ennen kuin suoritat säätöjä, vaihdat tarvikkeita tai siirrä sähkötyökalun varastoitavaksi.** Nämä turvatoimenpiteet pienentävät sähkötyökalun tahattoman käynnistämisen riskiä.
- d. **Säilytä sähkötyökalut poissa lasten ulottuvilta, kun niitä ei käytetä. Älä anna sähkötyökalua sellaisen henkilön käyttöön, joka ei tunne sitä tai joka ei ole tutustunut tähän käyttöohjeeseen.** Sähkötyökalut ovat vaarallisia, jos niitä käyttävät kokemattomat henkilöt.
- e. **Hoida sähkötyökalusi huolella. Tarkista, että liikkuvat osat toimivat moitteettomasti ja etteivät ne ole puristuksessa. Tarkista myös, ettei työkalussa ei ole murtuneita tai vahingoittuneita osia, jotka saattaisivat vaikuttaa haitallisesti sen toimintaan. Korjauta mahdolliset viat ennen käyttöönottoa.** Moni tapaturma aiheutuu huonosti huolletuista laitteista.
- f. **Pidä leikkausterät terävinä ja puhtaina.** Huolellisesti hoidetut leikkausterät, joiden leikkausreunat ovat teräviä, eivät tartu helposti kiinni, ja niitä on helpompi hallita.
- g. **Käytä sähkötyökaluja, tarvikkeita, vaihtotyökaluja jne. näiden ohjeiden mukaisesti. Ota tällöin huomioon työolosuhteet ja suoritettava toimenpide.** Sähkötyökalun käyttö muuhun kuin sille määrättyyn käyttöön saattaa johtaa vaarallisiin tilanteisiin.

5. Huolto

- a. **Korjauta sähkötyökalu koulutetulla ja ammattitaitoisella henkilöllä ja hyväksy korjauksiin vain alkuperäisiä varaosia.** Siten varmistat, että sähkötyökalu säilyy turvallisena.

Sähkötyökalujen lisäturvavaroitukset



Varoitus! Lisäturvavaroitukset ketjusahoille.

- ◆ **Ole huolellinen, ettei teräketju osu itseesi sahausken missään vaiheessa. Varmista ennen sahan käynnistämistä, ettei teräketju kosketa mihinkään.** Jos tarkkaavaisuutesi pääsee herpaantumaan sahausken aikana, esimerkiksi vaatteesi tai jäsenesi voivat takertua teräketjuun.
- ◆ **Pidä ketjusahaa oikealla kädellä sen takahavasta ja vasemalla sen etukahvasta.** Vastakkainen ote sahasta lisää onnettomuusriskiä. Älä koskaan käytä vastakkaista otetta.
- ◆ **Pitele sähkötyökalua vain sen eristävästä tartuntapainosta, sillä teräketju voi osua piilossa oleviin sähköjohtoihin tai laitteen virtajohtoon.** Teräketjun kosketus jännitteisen johtimen kanssa voi tehdä työkalun paljaista metalliosista jännitteisiä ja aiheuttaa sähköiskun käyttäjälle.

- ◆ **Käytä aina kuulosuojaimia ja suojalaseja.** Pään, käsien ja jalkojen suojavarusteet ovat suositeltavia. Kunnollinen suojavaatetus vähentää lentävien puunsälöjen ja teräketjun kosketusten aiheuttamia onnettomuuksia.
- ◆ **Älä käytä ketjusahaa puussa.** Loukkaantumisen riski on erittäin suuri, jos kipeät puuhun sahaamaan.
- ◆ **Käytä suojaavia jalkineita ja seiso sahatessasi tasaisella ja tukevalla alustalla.** Liukas tai horjuva työskentelyalusta, kuten tikapuilla sahaaminen, voi johtaa tasapainon tai sahan hallinnan menetykseen.
- ◆ **Ole varovainen katkaistessasi jännittyneenä olevaa oksaa, sillä se saattaa ponnahtaa yllättävään suuntaan.** Kun puun jännitys laukeaa, ponnahtava oksa voi osua käyttäjään ja/tai työkaluun ja aiheuttaa hallinnan menetyksen.
- ◆ **Ole hyvin varovainen sahatessasi pensaita tai vesakkoa.** Taipuisat oksat voivat tarttua teräketjuun ja iskeytyä sahaajaan tai horjuttaa hänen tasapainoaan.
- ◆ **Kanna ketjusahaa etukahvasta virta katkaistuna ja terä suunnattuna istestäsi pois päin. Aseta laipan suojus paikalleen sahan kuljetuksen ja varastoinnin ajaksi.** Käsittele sahaa huolellisesti, ettei vahingossa kosketa pyörivää teräketjua.
- ◆ **Noudata voitelua, ketjun kireyttä ja osien vaihtoa koskevia ohjeita.** Väärin kiristetty tai voitelematon ketju voi katketa tai lisätä takapotkun mahdollisuutta.
- ◆ **Pidä kädensijat kuivina ja puhtaina öljystä ja rasvasta.** Öljyiset kädensijat ovat liukkaita ja voivat aiheuttaa työkalun hallinnan menetyksen.
- ◆ **Käytä työkalua vain oksien ja ohuiden puiden katkaisuun. Älä käytä sahaa muuhun kuin sille suunniteltuun tarkoitukseen.** Esimerkki: älä sahaa muovia, tiiltä tai muuta materiaalia. Ketjusahan käyttö muuhun kuin sille tarkoitettuun tehtävään voi johtaa vaarallisiin tilanteisiin.

Takapotkun syyt ja niiden estäminen

Takapotkun voi aiheuttaa laipan kärjen osuminen johonkin tai terän jääminen puristuksiin. Laipan kärjen osuminen kiinteään kohteeseen voi potkaista pyörivän ketjun voimakkaasti päin sahaajaa. Teräketjun puristuminen laipan yläpintaan voi myös aiheuttaa nopean takapotkun. Molemmat edellä kuvatuista tilanteista voivat johtaa sahan hallinnan menetykseen ja loukkaantumiseen. Älä luota pelkästään ketjusahan turvalaitteisiin. Ketjusahan käyttäjän tulee itse huolehtia siitä, etteivät sahausolosuhteet aiheuta vaaratilanteita. Takapotku on seuraus sahan vääristä käyttöavoista tai -olosuhteista ja sen voi välttää noudattamalla alla kuvattuja varotoimia.

- ◆ **Tartu sahaan lujalla otteella kummastakin kahvasta. Kun kädet pitävät kiinni sahasta, asetu sellaiseen asentoon, että voit vastustaa takapotkua.** Sahaaja pystyy hyvin vastustamaan takapotkun voimaa noudattamalla esitettyjä varotoimia. Älä helleitä otettaisi sahasta kesken työn.
- ◆ **Älä kurkota liikaa äläkä sahaa hartiatason yläpuolella.** Näin estät tahattomat kärkikosketukset ja pystyt paremmin hallitsemaan sahaa yllättävissä tilanteissa.
- ◆ **Käytä varaosina vain valmistajan suosittelemia laippoja ja ketjuja.** Sahaan sopimattomat laipat tai ketjut voivat johtaa ketjuurikkoihin tai takapotkuihin.
- ◆ **Noudata valmistajan antamia sahan teroitus- ja huolto-ohjeita.** Syyvyysohjaimen madaltaminen voi lisätä sahan alttiutta takapotkuihin.
- ◆ Terän osuminen puun lähellä olevaan metalliin, betoniin tai muuhun kovaan materiaaliin voi aiheuttaa takapotkun.
- ◆ Tylsä tai löysä ketju voi aiheuttaa takapotkun.
- ◆ Älä sahaa vanhasta sahausurasta. Se voi aiheuttaa takapotkun. Tee joka kerta uusi sahausviilto.

Ketjusahan turvasuosituksen

- ◆ Ensikertalaisten sahan käyttäjien on erittäin suositeltavaa kysyä käytännön ohjeita ja neuvoja kokeneelta sahaajalta. Sahan käyttöä kannattaa opetella sahaamalla halkoja sahapukissa.
- ◆ Pidä ketjusaha hyvässä kunnossa, kun se ei ole käytössä. Jos ketjusaha on pitkiä aikoja käyttämättä, irrota teräketju ja laippa ja säilytä ne öljyyn upotettuna. Säilytä ketjusahaa kuivassa, turvallisessa paikassa poissa lasten ulottuvilta.
- ◆ Öljysäiliö kannattaa tyhjentää ennen varastointia.
- ◆ Varmista, että seisot tukevalla alustalla. Katso etukäteen turvallinen poistumisreitti kaatuvan puun tieltä.
- ◆ Ohjaa puun kaatumissuuntaa kiiloilla. Kiilojen avulla voit myös estää ketjun ja laipan juuttumisen leikkausuraan.
- ◆ Ketjusahan huoltaminen Pidä teräketju terävänä ja sopivan tiukalla. Huolehdi siitä, että ketjusaha ja laippa ovat puhtaat ja hyvin öljytyt. Kahvojen tulee olla kuivat, puhtaat ja rasvattomat.

Vältä:

- ◆ Käsitellyn puutavaran sahaamista.
- ◆ Maahan sahaamista.
- ◆ Verkkoaitojen, naulojen ja muiden sellaisten sahaamista.

Lisäturvaohjeet

- ◆ Varmista, että joku on lähellä (mutta turvallisen etäisyyden päässä) onnettomuuden varalta.
- ◆ Jos sinun on jostakin syystä kosketettava teräketjuja, varmista, että saha on irrotettu verkkovirrasta.
- ◆ Ketjusahan melutaso voi ylittää 85 dB(A). Tämän vuoksi on suositeltavaa käyttää asianmukaisia kuulosuojaimia.

- ◆ **Terärelevy voi kuumentua laitetta käsitellessä. Käsittele varoen.**

Muiden henkilöiden turvallisuus

- ◆ Tätä laitetta ei ole tarkoitettu sellaisten henkilöiden käyttöön (lapset mukaan luettuina), joilla on fyysisiä tai älyllisiä rajoitteita tai aistirajoitteita eikä laitteen toimintaan perehtymättömien henkilöiden käyttöön, paitsi valvonnan alaisina tai jos he ovat saaneet laitteen käyttöön liittyvää opastusta heidän turvallisuudestaan vastaavalta henkilöltä.
- ◆ Lapsia on valvottava ja heitä on estettävä leikkimästä laitteella.

Muut riskit.

- Muut kuin turvavaroituksissa mainitut riskit ovat mahdollisia työkalua käytettäessä. Nämä riskit voivat liittyä muun muassa virheelliseen tai pitkäaikaiseen käyttöön. Tiettyjä jäännösriskejä ei voi välttää, vaikka noudat kaikkia turvamaääräyksiä ja käytät turvalaitteita. Näihin kuuluvat muun muassa
- ◆ pyöriä tai liikkuvien osien koskettamisen aiheuttamat vahingot
 - ◆ osia, teriä tai lisävarusteita vaihdettaessa aiheutuneet vahingot
 - ◆ työkalun pitkäaikaisen käytön aiheuttamat vahingot Kun käytät työkalua pitkään, varmista, että pidät säännöllisesti taukoja.
 - ◆ kuulovauriot
 - ◆ työkalua käytettäessä (esimerkiksi puuta, erityisesti tammea, pyökkiä ja MDF-levyjä, käsiteltäessä) syntyneen pölyn sisäinhengityksen aiheuttamat terveysriskit.

Tärinä

Teknisissä tiedoissa ja vaatimustenmukaisuusilmoituksessa ilmoitetut tärinäpäästöarvot on mitattu standardin EN 60745 testausmenetelmän mukaisesti, ja niiden avulla voidaan vertailla työkaluja keskenään. Ilmoitettua tärinäpäästöarvoa voidaan käyttää myös altistumisen alustavaan arviointiin.

Varoitus! Sähkötyökalun käytön aikana mitattu todellinen tärinäpäästöarvo voi poiketa ilmoitetusta tärinäpäästöarvosta työkalun käyttötavan mukaan. Tärinätasoa voi olla ilmoitettu tasoa suurempi.

Kun tärinälle altistumista arvioidaan sen määrittämiseksi, mitä direktiivin 2002/44/EY mukaisia turvatoimenpiteitä vaaditaan sähkötyökaluja säännöllisesti käyttävien henkilöiden suojelemiseksi, tärinälle altistumisen arvioinnissa on otettava huomioon todelliset käyttöolosuhteet ja työkalun käyttötavat. Todellisen käytön lisäksi on kiinnitettävä huomiota myös siihen, milloin työkalu on sammutettuna tai se käy tyhjäkäynnillä.

Laitteessa olevat merkinnät

Työkaluissa on seuraavat kuvamerkinnot:



Varoitus! Vahinkojen välttämiseksi käyttäjän on luettava käyttöohje.



Käytä suojalaseja, kun käytät laitetta.



Käytä kuulosuojaimia, kun käytät työkalua.



Älä käytä työkalua sateessa tai erittäin kosteissa olosuhteissa.



Direktiivin 2000/14/EY mukainen taattu ääniteho.



Jos virtajohto vaurioituu tai katkeaa, irrota pisteke välittömästi sähköverkosta.



Huomio: Älä kiristä liikaa. Kiristä käsin. Kiristä vain sormikireydelle.

Sähköturvallisuus



Tämä työkalu on kaksoiseristetty, joten erillistä maadoitusta ei tarvita. Tarkista aina, että virtälähde vastaa arvokilvessä ilmoitettua jännitettä.

- ◆ Jos virtajohto vahingoittuu, sen vaihtaminen on turvallisuussyistä jätettävä valmistajan tai valtuutetun BLACK+DECKER-huollon tehtäväksi.

Jatkojohdon käyttäminen

- ◆ Käytä aina oikeanlaista jatkojohtoa, joka sopii tämän laitteen virransyöttöliitäntään (katso kohta Tekniset tiedot). Jatkojohdon on oltava ulkokäyttöön soveltuva ja siinä on oltava soveltuvuudesta ilmoitettava merkintä. Laitteen kanssa voidaan käyttää enintään 30 m pitkää 1.5 mm²:n HO7RN-F 2 X -jatkajohtoa ilman tehon heikkenemistä. Tarkista jatkojohdon kunto ennen sen käyttämistä. Vahingoittunut tai viallinen kaapeli on vaihdettava. Jos käytät jatkojohdotkelaia, kelaa johto aina täysin auki.

Jännitteen aleneminen

- ◆ Joissakin virransyöttötilanteissa laite voi aiheuttaa lyhytaikaisen jännitteen alenemisen käynnistyksen aikana.
- ◆ Tämä voi vaikuttaa myös muihin laitteisiin. Esimerkiksi sähkövalojen kirkkaus voi hetkellisesti heiketä.
- ◆ Ota tarvittaessa yhteyttä sähköntoimittajaan, jos haluat selvittää, onko virtalähteen impedanssi pienempi kuin 0.172/0.293 ohmia. Tällöin häiriöiden esiintyminen on epätodennäköistä.

Suojaudu sähköiskulta.

- ◆ Vältä itse koskettamasta maadoitettuihin pintoihin (esim. metallikalteisiin, lyhtypylväisiin jne.). Sähköturvallisuutta voi parantaa käyttämällä erittäin herkkää (30 mA / 30 mS) vikavirtasuojaa.



Varoitus! Se tai jokin muu virtapiirikatkaisin ei vapauta sahan käyttäjää tässä käyttöoppaassa esitettyjen turvallisten työtapojen ja turvaohjeiden noudattamiselta.

Yleiskuvaus

1. Virtakytkin
2. Lukituspainike
3. Etusuojain/keijujarru
4. Laippa
5. Keiju
6. Keijukoppa
7. Keijun säädön lukitusnappi
8. Keijun kireyden säätöpyörä
9. Teräsuojus
10. Virtajohto
11. Virtajohton pidike
12. Öljysäiliön tulppa
13. Öljytason ilmaisin

Kokoaminen



Varoitus! Käytä aina suojakäsineitä käsitellessäsi keijusahaa.



Varoitus! Katkaise laitteesta virta ja irrota se virtalähteestä aina ennen sähkötyökalun kokoamis- tai huoltotoimenpiteitä.



Varoitus! Ennen kokoamista poista yhdyskaapeli, jolla teräketju liitetään terälevyyn.

Ketjun voitelu

Tämä on tehtävä aina, kun uusi ketju (5) otetaan käyttöön. Ota uusi ketju (5) ja anna sen liota ketjuöljyssä vähintään tunnin ajan ennen käyttöä. Käytä BLACK+DECKER-teräketjuöljyä. Voiteluun kannattaa aina käyttää BLACK+DECKER-öljyä, sillä erilaisten öljyjen sekoittaminen voi huonontaa öljyn laatua. Se voi lyhentää ketjun käyttöikää huomattavasti ja aiheuttaa muita vaaroja. Älä koskaan käytä jäteöljyä, paksua öljyä tai erittäin ohutta ompelukoneöljyä. Nämä öljyt voivat vaurioittaa ketjusahaa.

Laipan ja ketjun asentaminen. (kuva A–E)

- ◆ Aseta saha tukevalle alustalle.
- ◆ Aseta etusuojoin/ketjujarru (3) etummaiseen asentoon (kuva A).
- ◆ Käännä ketjun säädön lukitusnuppia (7) vastapäivään ja irrota ketjukoppa (6) (kuva B).
- ◆ Aseta ketju (5) laipan (4) päälle. Varmista, että ketjun leikkauserät laipan yläosassa (4) osoittavat eteenpäin (kuva C).
- ◆ Ohjaa ketju (5) laipan (4) uraan ja vedä ketjua niin, että siihen jää lenkki laipan (4) takaosaan.
- ◆ Aseta ketju (5) sahan hammaspyörän (14) ympärille. Aseta laipan lovi ja ketjun kireyden säätöpyörää (16) keskimäinen reikä pultin (15) kohdalle (kuva D).

Huom! Kierrä tarvittaessa ketjun kirstuspyörää, jotta saat kohdistettua keskimäisen reiän pultin (15) kohdalle.

Varoitus! Varmista, että etusuojoin/ketjujarru (3) on oikeassa asennossa (eteenpäin) ennen asentamista takaisin paikalleen (kuva A).

- ◆ Aseta ketjukoppa (6) sahaan.
- ◆ Varmista, että ketjukopan kieleke (17) asettuu tiiviisti kotelon koloon (18) (kuva E).
- ◆ Kierrä ketjun säädön lukitusnuppia (7) myötäpäivään, kunnes se on tiiviisti paikallaan.
- ◆ Tarkista kireys: katso alta kohta "Ketjun kireyden tarkastaminen".
- ◆ Jos ketju on löysä, katso alta kohta "Ketjun kiristäminen".

Ketjun kireyden tarkastaminen (kuvan F sisäkuva)

Ketjun kireys on tarkistettava ennen käyttöä ja aina 10 minuutin käytön jälkeen.

- ◆ Irrota työkalun virtajohto sähköverkosta.

- ◆ Vedä ketjua (5) kevyesti kuvan esittämällä tavalla (kuvan F sisäkuva). Kireys on sopiva, kun ketju (5) napsahtaa takaisin paikalleen, kun sitä on vedetty 3 mm laipasta (4). Ketju (5) ei saa roikkua laipan (4) alapuolella (kuva G).

Ketjun kiristäminen (kuva B)

- ◆ Löysää ketjua kiertämällä ketjun säädön lukitusnuppia (7) vastapäivään puoli kierrosta.
- ◆ Kierrä ketjun kireyden säätöpyörää (8) myötäpäivään, kunnes tuntuu pieni vastus.
- ◆ Tarkista kireys: katso kohta "Ketjun kireyden tarkastaminen".
- ◆ Jos kireys on sopiva, kiristä lukitusnuppi (7). Jos ketjua on vielä kiristettävä, käännä säätöpyörää (8). Kiristä sitten lukitusnuppi (7).

Huom! Älä kiristä ketjua (6) liikaa, sillä se aiheuttaa ylimääräistä kulumista ja lyhentää laipan (7) ja ketjun (6) käyttöikää.

Huomautus: Tarkista uuden ketjun kireys useaan kertaan (irrota virtajohto ensin pistorasiasta) 2 ensimmäisen käyttötunnin aikana, koska uusi ketju venyy hieman.

Käyttö

Varoitus! Anna työkalun käydä omaan tahtiinsa. Älä ylikuormita sitä.

Öljysäiliön täyttäminen (kuva H)

- ◆ Aavaa öljysäiliön tulppa (12) ja täytä säiliö suositellulla ketjuöljyllä. Öljytaso näkyy ilmaisimesta (13). Kierrä säiliön tulppa (12) takaisin paikalleen.
 - ◆ Sammuuta ketjusaha ja tarkista öljyn määrä ilmaisimesta (13) säännöllisesti. Jos öljyä on alle 1/4, irrota sahan virtajohto ja lisää oikeanlaista öljyä. Ketjusahassa on teräketju ja laipan automaattinen voitelujärjestelmä. Voiteluun kannattaa aina käyttää BLACK+DECKER-öljyä, sillä erilaisten öljyjen sekoittaminen voi huonontaa öljyn laatua. Se voi lyhentää ketjun käyttöikää huomattavasti ja aiheuttaa muita vaaroja. Älä koskaan käytä jäteöljyä, paksua öljyä tai erittäin ohutta ompelukoneöljyä. Ne voivat vaurioittaa ketjusahaa. Käytä aina oikeaa öljyä (tuotenro A6023-QZ).
 - ◆ Saha syöttää ketjuun öljyä automaattisesti käytön aikana.
- ### Ketjujarrun asettaminen (kuva A)
- ◆ Varmista, että virtajohto on irrotettu pistorasiasta.
 - ◆ Vedä etusuojoin/ketjujarru (3) taaksepäin merkittyyn aloitusasentoon (kuva A).
 - ◆ Saha on nyt käyttövalmis.

Käynnistäminen

Huom! Ketjusaha ei käynnisty, jos etusuojoin/ketjujarru ei ole käyttöasennossa.

- ◆ Tartu ketjusahasta tukevasti molemmin käsin. Työnnä lukituspainiketta (2) ja käynnistä painamalla virtakytkintä (1).
- ◆ Kun moottori käynnistyy, irrota peukalo lukituspainikkeelta (2) ja pidä tukevasti kiinni kahvasta. Älä yliuormita laitetta, vaan anna sen tehdä työ. Laite toimii paremmin ja turvallisemmin sille suunnitellulla nopeudella. Liiallinen painaminen saa ketjun (5) venymään.

Takapotkulta suojaavan ketjularin toiminta

Takapotkutilanteessa vasen käsi osuu etusuojaimeen työntäen sitä eteenpäin kohti sahauskohdetta ja pysäyttäen ketjularin sekunnin murto-osassa.

Takapotkulta suojaavan ketjularin testaaminen (kuva A)

- ◆ Tarkista aina ennen käyttöä, että takapotkujarru toimii oikein.
- ◆ Asetu tukevalle alustalle ja tartu sahaan lujasti molemmin käsin. Varmista, että ketju (5) ei kosketa maata ja käynnistä kone (ks. "Ketjularin käynnistys").
- ◆ Kallista vasenta kättä kahvasta pitäen eteenpäin niin, että käsi koskettaa etusuojainta/ketjularia (3), ja työnnä sitä eteenpäin sahauskohteeseen päin (kuva A). Ketju (5) pysähtyy sekunnin murto-osassa.

Palauta etusuojainta/ketjularia (3) käyttöasentoon noudattamalla kohdassa "Ketjularin asettaminen" esitettyjä ohjeita.

Huom! Moottorin tulee pysähtyä ennen uudelleen käynnistämistä.

Huom! Jos ketjulari ei toimi, vie laite valtuutettuun BLACK+DECKER-huoltoon.

Jos ketju (5) tai laippa (4) jumittuu:

- ◆ Katkaise työkalun virta.
- ◆ Irrota työkalun virtajohto sähköverkosta.
- ◆ Vapauta laippa (4) avaamalla sahausura kiiloilla. Älä yritä kiskoa tai vääntää sahaa irti.
- ◆ Aloita uudelleen toisesta kohdasta.

Puiden kaataminen (kuvat I–K)

Puun kaatamista ei suositella kokemattomalle sahan käyttäjälle. Väärään suuntaan kaatava puu voi aiheuttaa aineellisia tai henkilövahinkoja. Myös kaatuvan puun sälot tai kuivat oksat voivat saada aikaan vahinkoja. Turvallinen etäisyys kaadettavan puun ja sivullisten, rakennusten ja muiden kohteiden välillä on 2,5 kertaa puun pituus. Tätä etäisyyttä lähempänä olevat sivulliset tai rakennukset voivat jäädä kaatuvan puun alle.

Valmistelut ennen puun kaatoa:

- ◆ Varmista etukäteen, että puun kaataminen on luvallista.
- ◆ Mieti etukäteen kaikkia putoamissuuntaan vaikuttavia tilanteita, joita ovat esimerkiksi seuraavat:

- ◆ suunta, johon oksan pitäisi pudota
- ◆ puun kallistussuunta
- ◆ poikkeuksellisen raskaat oksat tai lahot kohdat
- ◆ ympäröivät puut ja esteet, yli kulkevat sähköjohdot ja maanalaiset viemärit
- ◆ tuulen nopeus ja suunta.

Suunnittele turvallinen poistumisreitti kaadettavan puun luota. Varmista, että poistumisreitti on esteetön. Muista, että märkä ruoho ja juuri irronnut puunkuori ovat liukkaita.

- ◆ Älä yritä kaataa puuta, joka on paksumpi kuin ketjularin sahauspylväs.
- ◆ Puun kaatumissuuntaa ohjataan sahauslovelta.
- ◆ Saha puun tyveen, kaatosuuntaan nähden kohtisuoraan viiltä, joka ulottuu puun sisään 1/5–1/3 puun läpimitasta (kuva I).
- ◆ Saha ensimmäisen viillon yläpuolelta noin 45 asteen kulmassa vino viiltä, joka osuu vaakaviilton.
- ◆ Saha muodostuneen loven vastapuolelta vaakasuora kaatoileikkaus 25–50 mm loven keskikohdan yläpuolelle (kuva J). Älä sahaa aivan loveen saakka, ettei puu lähde kaatumaan väärään suuntaan.
- ◆ Lyö yksi tai useampi kiila kaatoviilton ja kaada puu (kuva K).

Puiden karsiminen

Varmista etukäteen, että puun karsiminen on luvallista. Pystykarsinta tulee jättää kokeneen sahan käyttäjän tehtäväksi, koska sahan kiinnijääminen ja takapotkujen riski on suuri.

Ennen karsintaa on arvioitava oksien putoamissuuntaan vaikuttavat tekijät, kuten

- ◆ katkaistavan oksan pituus ja paino
- ◆ poikkeuksellisen raskaat oksat tai lahot kohdat
- ◆ ympäröivät puut ja esteet ja yli kulkevat johdot
- ◆ tuulen nopeus ja suunta.
- ◆ oksan kiinnittyminen muihinoksiin. Sahaajan on ensin selvítettävä miten hän pääsee karsintakohtaan ja mihin oksa putoaa. Katkaistavat oksat kallistuvat puun runkoa kohti. Alla olevat sivulliset ja esineet ovat tällöin vaarassa.
- ◆ Säilytymisen estämiseksi oksaa sahataan ensin alhaalta päin enintään kolmasosa verran oksan paksuudesta.
- ◆ Sen jälkeen sahataan ylhäältä päin suoraan kohti aleileikkausta.

Rungon katkaiseminen (kuvat L–O)

Sahausta määrättyä tukeen tuennan perusteella. Käytä sahapukia aina, kun mahdollista. Aloita sahaus aina siten, että teräketju pyörii ja kaatopiikit (20) ovat kiinni puussa (kuva L). Saha tukki poikki kallistamalla sahaa puuta vasten olevien kaatopiikkien varassa.

Kun puu on tuettuna koko pituudeltaan:

- ◆ Sahaa alaspäin. Estä teräketjun kosketus maahan, koska muuten ketju tylsyy nopeasti.

Kun puu on tuettuna molemmista päistään:

- ◆ Sahaa ensin alaspäin 1/3 säilytymisen estämiseksi. Sahaa sitten loppuun alhaalta ylöspäin.

Kun tukki on tuettuna toisesta päästään:

- ◆ Sahaa ensin alta 1/3 rungon paksuudesta säilytymisen estämiseksi ja sitten loppuun ylhäältä alaspäin.

Rinteessä:

- ◆ Seiso aina ylämäen puolella.

Jos sahattava puu on kokonaan maassa (kuva M):

- ◆ Tue puu tapeilla tai kiiloilla. Puuta ei saa tukea istumalla tai seisomalla sen päällä. Varo, ettei teräketju kosketa maahan.

Sahapukkia käytettäessä (kuva N):

Sahapukin käyttö on suositeltavaa aina, kun se on mahdollista.

- ◆ Aseta puu vakaasti sahauspukille. Sahaa aina sahapukin reunojen ulkopuolelta. Sido sahattava puu hihnalla tai puristimella.

Oksien katkaiseminen (kuva O)

Kaadetun puun oksien karsiminen. Jätä karsimisen ajaksi tukkiin suuret alaoksat kannattelemaan sitä irti maasta. Karsi pienet oksat yhdellä leikkauksella. Jännittyneenä olevat oksat tulee katkaista alhaalta ylöspäin, jotta saha ei juutu oksaan. Karsi oksat vastakkaiselta puolelta niin, että puun runko on sinun ja sahan välissä. Älä koskaan sahatessasi pidä sahaa jalkojesi välissä tai asetu oksan ympärille hajareisin.

Vianmääritys

Ongelma	Mahdollinen syy	Mahdollinen ratkaisu
Työkalu ei käynnisty.	Lukituspainike ei ole päällä.	Paina lukituspainiketta.
	Etusuojoin on jarruasenossa.	Palauta etusuojoin käyttöasentoon.
	Sulake on palanut.	Vaihda sulake.
	Vikavirtasuoja on lauennut.	Tarkista vikavirtasuoja.
	Virtajohto on irti.	Tarkista virtälähde.

Ongelma	Mahdollinen syy	Mahdollinen ratkaisu
Teräketju ei pysähdy 2 sekunnin sisällä laitteen kytkemisestä pois päältä.	Ketju ei ole tarpeeksi kireä.	Tarkista ketjun kireys.
Laippa/terä tuuntu kuimalta tai savuaa.	Öljysäiliö on tyhjä.	Tarkista säiliön öljytaso.
	Teräketjun voitelureikä on tukossa.	Puhdista voitelureiät (21, kuva E) ja teräketjun laipan ura.
	Ketju on liian kireällä.	Tarkista ketjun kireys.
Ketjusaha ei sahaa hyvin.	Laipan hammaspyöränokka on voideltava.	Voitele laipan hammaspyöränokka.
	Ketju on väärinpäin.	Tarkista/muuta ketjun suunta. Teroita
Ketjusaha ei käytä öljyä.	Säiliössä on roskaa.	Poista öljy säiliöstä ja vaihda se.
	Suojuksen voitelureikä on tukossa.	Poista roskat reiästä.
	Terälevyssä on roskaa	Poista roskat ja puhdista terälevy.
	Öljynpoistoputkessa on roskaa.	Poista roskat.

Huolto

Säännöllinen huolto varmistaa työkalun pitkän ja tehokkaan käyttöiän. Seuraavat tarkistukset kannattaa tehdä säännöllisesti.

Varoitus! Ennen sähkötyökalun huoltoa toimi seuraavasti:

- ◆ Sammuta työkalu ja irrota työkalun virtajohto sähköverkosta.

Öljytaso

Säiliön öljytaso ei saa laskea alle 1/4.

Teräketju ja laippa (kuva F)

- ◆ Irrota ketju (5) ja laippa (4) aina muutaman tunnin käytön jälkeen ja ennen varastointia ja puhdista ne huolellisesti.
- ◆ Varmista, että laippa on puhdas ja että siinä ei ole roskaa.
- ◆ Kun kokoat sahaa uudelleen, käännä laippaa (4) 180°, irrota ketjun kiristyspyörä ruuvimeisselillä ja kiinnitä se uudelleen laipan vastakkaiselle puolelle.

Varoitus! Älä kiristä liikaa.

- ◆ Voitele hammaspyöränokka voitelureiän (19) kautta. Näin laipan ketjuohjaimet kuluvat tasaisesti.

Teräketjun teroittaminen

Jotta saha toimisi parhaalla mahdollisella tavalla, ketjun hampaat on pidettävä terävinä. Teroitinpaketissa on ohjeet tähän. Suosittelemme BLACK+DECKER-teroituspaketin hankkimista (saatavana BLACK+DECKERin valtuutetuista huoltoliikkeistä ja jälleenmyyjiltä).

Kuluneen teräketjun vaihtaminen

Teräketjuja on saatavana BLACK+DECKERin valtuutetuista huoltoliikkeistä ja jälleenmyyjiltä. Käytä aina vain alkuperäisiä varaosia.

Teräketjun terävyys

Ketjun leikkuuterät tylsyvät heti, jos ne sahattaessa osuvat maahan tai naulaan.

Teräketjun kireys

Tarkista teräketjun kireys säännöllisesti.

Mitä tehdä, jos ketjusaha vaatii korjausta

Ketjusaha on valmistettu asianmukaisten turvaohjeiden vaatimusten mukaisesti. Korjauksia saa tehdä vain Black & Deckerin valtuuttama huoltoliike, joka käyttää alkuperäisiä, muutoin koneen käyttäjälle voi aiheuta vaaratilanteita. Suosittelemme tämän käyttöohjeen säilyttämistä turvallisessa paikassa.

Virtapistokkeen vaihto (vain Iso-Britannia ja Irlanti)

Jos joudut vaihtamaan virtapistokkeen:

- ◆ Hävitä vanha pistoke ympäristöstävällisesti.
- ◆ Liitä ruskea johto uuden pistokkeen jännitteeseen napaan.
- ◆ Liitä sininen johto tähtipisteliitimeen.

Varoitus! Maadoitusliitimeen ei liitetä johtoa. Noudata pistokkeen mukana toimitettuja kiinnitysohjeita. Suositeltava sulake: 13 A.

Ympäristönsuojelu



Erillinen keräys. Tätä tuotetta ei saa hävittää normaalin kotitalousjätteen mukana.

Kun BLACK+DECKER-laitteesi aikanaan täytyy vaihtaa tai ei kelpaa enää käyttöön, älä hävitä laitetta kotitalousjätteen mukana. Toimita laite kierrätettäväksi.



Käytettyjen tuotteiden ja pakkausmateriaalien erilliskeruun avulla materiaalit voidaan kierrättää ja käyttää uudelleen. Kierrätysmateriaalien käyttö auttaa vähentämään ympäristön saastumista ja uusien raaka-aineiden tarvetta.

Paikallisissa säädöksissä voidaan määrätä, että kodin sähkötuotteiden keruu tapahtuu kaupunkien jätteidenkäsittelyasemilla tai laitteita myyvissä liikkeissä uuden tuotteen oston yhteydessä.

Kun laitteesi on käytetty loppuun, älä hävitä sitä tavallisten roskien mukana. Vie tuotteesi valtuutettuun huoltoliikkeeseen, joka kerää vanhat laitteet puolestamme.

Saat valtuutettujen huoltoliikkeiden yhteystiedot ottamalla yhteyden BLACK+DECKERiin tässä käyttöoppaassa ilmoitetussa osoitteessa. Valtuutettujen BLACK+DECKER-huoltoliikkeiden yhteystiedot sekä lisätietoja palveluistamme ja takuuhoista on myös Internetissä osoitteessa www.2helpU.com

Tekniset tiedot

		CS2040 (tyyppi 1)	CS2245 (tyyppi 1)
Jännite	V _{ac}	230 V	230 V
Ottoteho	W	2000 W	2200 W
pituus	mm	400	450
Ketjun nopeus (kuormittamattomana)	m/s	12.5 m/s	12.5 m/s
Suurin sahauspituus	mm	397	436
Öljysäiliön tilavuus	ml	200 ml	150 ml
Paino	kg	5.5	5.66
Turvaluokitus		II	II

Äänenpainetaso standardin EN 60745 mukaisesti:

L_{DA} (äänenpaine) 85.7/95 dB(A), epävarmuus (K)3/2.5 dB(A)

L_{WA} (äänihotaso) 102.1/106 dB(A), epävarmuus (K) 3/2.5 dB(A)

Tärinän kokonaisarvot (vektorisumma) standardin EN 60745 mukaisesti:

Tärinäpäästöarvo (a_h) 4.5/5.5 m/s², epävarmuus (K)1.5 m/s²

EY-vaatimustenmukaisuusvakuutus**KONEDIREKTIIVI****ULKOILMAMELUDIREKTIIVI**

CS2040/CS2245

Black & Decker ilmoittaa, että tuotteet, jotka on kuvattu kohdassa Tekniset tiedot, täyttävät seuraavien direktiivien vaatimukset:

2006/42/EY, EN 60745-1, EN 60745-2-13

2006/42/EY, Ketjusaha, Liite IV

TÜV Rheinland LGA Products GmbH;

Tillystraße 2 D - 90431 Nürnberg, Germany;
Ilmoitetun elimen tunnusnumero: 0197

Äänitehotaso mitattuna standardin 2000/14/EY mukaisesti (Artikla 13, liite III):

L_{WA} (mitattu ääniteho) 102.1/106 dB(A)

Epävarmuus (K) = 3/2.5 dB(A)

L_{WA} (taattu ääniteho) 109/110 dB(A)

Nämä tuotteet täyttävät myös direktiivien 2014/30/EU ja 2011/65/EU vaatimukset.

Lisätietoja saa ottamalla yhteyden Black & Deckeriin seuraavassa osoitteessa.

Tiedot ovat myös käyttöohjeen takakannessa.

Allekirjoittanut vastaa teknisten tietojen kokoamisesta ja antaa tämän ilmoituksen Black & Deckerin puolesta.

R. Laverick

Engineering Manager

Black & Decker Europe, 210 Bath Road, Slough,
Berkshire, SL1 3YD

Yhdistynyt kuningaskunta

10/09/2014

Takuu

Black & Decker takaa, ettei tuotteessa ole materiaali- ja/tai valmistusvikaa silloin, kun se toimitetaan ostajalle. Takuu on lisäys kuluttajan laillisiin oikeuksiin eikä vaikuta niihin. Takuu on voimassa Euroopan unionin jäsenmaissa ja Euroopan vapaakauppa-alueella (EFTA).

Mikäli Black & Decker -kone hajoaa materiaali- ja/tai valmistusvirheen tai teknisten tietojen epätarkkuuden vuoksi 24 kk:n kuluessa ostopäivästä, Black & Decker korjaa koneen ilman kustannuksia ostajalle tai vaihtaa sen Black & Decker Oy:n valinnan mukaan. Takuu ei kata vikoja, jotka johtuvat seuraavista:

- ◆ Tuotetta on käytetty kaupallisesti, ammattimaisesti tai vuokraukseen.
- ◆ Tuotetta on käytetty tai hoidettu virheellisesti.
- ◆ Tuotetta on vahingoitettu vieraalla esineellä tai aineella tai se on ollut onnettomuudessa.
- ◆ Jos korjauksia on yrittänyt joku muu kuin Black & Deckerin valtuuttama edustaja tai Black & Deckerin henkilökunta.

Edellytyksenä takuun saamiselle on, että ostaja jättää koneen ja ostokuitin jälleenmyyjälle tai valtuutetulle huoltoliikkeelle. Saat valtuutettujen huoltoliikkeiden yhteystiedot ottamalla yhteyden Black & Decker Oy:hyn tässä käyttöoppaassa ilmoitetussa osoitteessa. Valtuutettujen Black & Decker -huoltoliikkeiden yhteystiedot sekä lisätietoja palveluistamme ja takuuehdoista on myös Internetissä osoitteessa www.2helpU.com

Voit vierailla verkkosivuillamme www.blackanddecker.fi rekisteröidäksesi uuden BLACK+DECKER-tuotteesi ja saadaksesi tietoa uusista tuotteista ja erikoistarjouksista. Saat lisätietoja BLACK+DECKERin tavaramerkistä ja tuotevalikoimasta osoitteesta www.blackanddecker.fi.

Ενδεδειγμένη χρήση

Το αλυσοπρίνο BLACK+DECKER™ έχει σχεδιαστεί για το κλάδεμα και την κοπή δέντρων και κορμών δέντρων. Αυτή η μηχανή προορίζεται μόνο για ερασιτεχνική χρήση.

Οδηγίες ασφαλείας

Γενικές προειδοποιήσεις ασφαλείας για τα ηλεκτρικά εργαλεία



Προειδοποίηση! Διαβάστε όλες τις υποδείξεις και όλες τις οδηγίες. Η μη τήρηση των παρακάτω προειδοποιήσεων και οδηγιών μπορεί να προκαλέσει ηλεκτροπληξία, πυρκαγιά ή/και σοβαρούς τραυματισμούς.

Φυλάξτε όλες τις προειδοποιήσεις και τις οδηγίες για μελλοντική αναφορά. Ο χαρακτηρισμός "ηλεκτρικό εργαλείο" που χρησιμοποιείται σε όλες τις παρακάτω προειδοποιήσεις αναφέρεται σε εργαλεία που συνδέονται στην πρίζα (με καλώδιο) ή σε εργαλεία που λειτουργούν με μπαταρία (χωρίς καλώδιο).

1. Ασφάλεια χώρου εργασίας

- α. Διατηρείτε το χώρο εργασίας καθαρό και καλά φωτισμένο. Οι ακατάστατοι χώροι και τα σημεία χωρίς καλό φωτισμό προκαλούν ατυχήματα.
- β. Μην χρησιμοποιείτε ηλεκτρικά εργαλεία σε περιβάλλον όπου υπάρχει κίνδυνος έκρηξης, π.χ. παρουσία εύφλεκτων υγρών, αερίων ή σκόνης. Τα ηλεκτρικά εργαλεία μπορεί να δημιουργήσουν σπινθηρισμό ο οποίος μπορεί να αναφλέξει τη σκόνη ή τις αναθυμιάσεις.
- γ. Όταν χρησιμοποιείτε το ηλεκτρικό εργαλείο, κρατάτε τα παιδιά και τα υπόλοιπα άτομα μακριά από το χώρο εργασίας. Εάν αποσπαστεί η προσοχή σας μπορεί να χάσετε τον έλεγχο.

2. Ασφαλής χρήση ηλεκτρικού ρεύματος

- α. Το φως του καλωδίου του ηλεκτρικού εργαλείου πρέπει να ταιριάζει στην αντίστοιχη πρίζα. Δεν επιτρέπεται με κανέναν τρόπο η μετασκευή του φως. Μην χρησιμοποιείτε προσαρμοστικά φως με γειωμένα ηλεκτρικά εργαλεία. Τα φως που δεν έχουν υποστεί τροποποιήσεις και οι κατάλληλες πρίζες μειώνουν τον κίνδυνο ηλεκτροπληξίας.
- β. Αποφύγετε την επαφή του σώματός σας με γειωμένες επιφάνειες όπως σωλήνες, θερμαντικά σώματα (καλοριφέρ), κουζίνες και ψυγεία. Όταν το σώμα σας είναι γειωμένο, αυξάνεται ο κίνδυνος ηλεκτροπληξίας.
- γ. Μην εκθέτετε τα ηλεκτρικά εργαλεία στη βροχή ή την υγρασία. Η εισχώρηση νερού στο ηλεκτρικό εργαλείο αυξάνει τον κίνδυνο ηλεκτροπληξίας.

- δ. Μην κακομεταχειρίζεστε το καλώδιο. Μην χρησιμοποιείτε ποτέ το καλώδιο για να μεταφέρετε το εργαλείο, να το τραβήξετε ή να το αποσυνδέσετε από την πρίζα. Κρατάτε το καλώδιο μακριά από θερμότητα, λάδια, αιχμηρά άκρα ή κινούμενα μέρη. Τυχόν χαλασμένα ή μπερδεμένα καλώδια αυξάνουν τον κίνδυνο ηλεκτροπληξίας.
- ε. Όταν χρησιμοποιείτε το ηλεκτρικό εργαλείο σε εξωτερικούς χώρους, να χρησιμοποιείτε πάντοτε καλώδια προέκτασης κατάλληλα για χρήση σε εξωτερικούς χώρους. Η χρήση καλωδίου προέκτασης κατάλληλου για εργασία σε εξωτερικούς χώρους μειώνει τον κίνδυνο ηλεκτροπληξίας.
- στ. Εάν η χρήση ενός ηλεκτρικού εργαλείου σε υγρή τοποθεσία είναι αναπόφευκτη, χρησιμοποιήστε μια Διάταξη Προστασίας Ρεύματος Διαρροής (RCD). Η χρήση διάταξης RCD μειώνει τον κίνδυνο ηλεκτροπληξίας.

3. Προσωπική ασφάλεια

- α. Όταν χρησιμοποιείτε το ηλεκτρικό εργαλείο, να είστε προσεκτικοί, να δίνετε προσοχή στην εργασία που κάνετε και να επιστρατεύετε την κοινή λογική. Μην χρησιμοποιείτε το ηλεκτρικό εργαλείο όταν είστε κουρασμένοι ή όταν βρίσκεστε υπό την επήρεια ναρκωτικών, οινόπνευματος ή φαρμάκων. Μια στιγμή απροσεξία κατά το χειρισμό του ηλεκτρικού εργαλείου μπορεί να οδηγήσει σε σοβαρούς τραυματισμούς.
- β. Να χρησιμοποιείτε εξοπλισμό προσωπικής προστασίας. Να φοράτε πάντα προστατευτικά γυαλιά. Ο κίνδυνος τραυματισμών μειώνεται όταν χρησιμοποιείτε εξοπλισμό προστασίας, όπως μάσκα προστασίας από σκόνη, αντλιοσθητικά παπούτσια ασφαλείας, κράνη ή ωτασπίδες, ανάλογα με τις συνθήκες εργασίας.
- γ. Εμποδίστε την ακούσια ενεργοποίηση του εργαλείου. Βεβαιωθείτε ότι ο διακόπτης λειτουργίας βρίσκεται στη θέση "OFF" πριν συνδέσετε το εργαλείο στην πρίζα ή/και στην μπαταρία και πριν το σηκώσετε ή το μεταφέρετε. Η μεταφορά ηλεκτρικών εργαλείων με το δάχτυλό σας επάνω στο διακόπτη ή η σύνδεση στην πρίζα ηλεκτρικών εργαλείων με το διακόπτη στη θέση ενεργοποίησης, ενέχει κινδύνους πρόκλησης ατυχημάτων.
- δ. Πριν θέσετε το ηλεκτρικό εργαλείο σε λειτουργία, αφαιρέστε τυχόν εργαλεία ή κλειδιά ρύθμισης. Εάν αφήσετε ένα εργαλείο ή κλειδί πάνω σε κάποιο περιστρεφόμενο εξάρτημα ενός ηλεκτρικού εργαλείου μπορεί να προκληθούν τραυματισμοί.
- ε. Μην τεντώνεστε. Φροντίστε πάντοτε να έχετε την κατάλληλη στάση και να διατηρείτε την ισορροπία σας. Αυτό σας επιτρέπει τον καλύτερο έλεγχο του ηλεκτρικού εργαλείου σε περιπτώσεις απροσδόκων καταστάσεων.

- στ. Φοράτε κατάλληλη ενδυμασία εργασίας. Μην φοράτε φαρδιά ρούχα ή κοσμήματα. Κρατάτε τα μαλλιά, τα ενδύματα και τα γάντια σας μακριά από τα κινούμενα εξαρτήματα. Τα φαρδιά ρούχα, τα κοσμήματα και τα μακριά μαλλιά μπορεί να εμπλακούν στα κινούμενα εξαρτήματα.
- ζ. Εάν παρέχονται διατάξεις απαγωγής και συλλογής σκόνης, βεβαιωθείτε ότι είναι συνδεδεμένες και ότι χρησιμοποιούνται σωστά. Η χρήση διατάξεων συλλογής σκόνης μειώνει τους κινδύνους που σχετίζονται με τη σκόνη.
4. Χρήση και φροντίδα του ηλεκτρικού εργαλείου
- α. Μην υπερφορτώνετε το ηλεκτρικό εργαλείο. Χρησιμοποιείτε για την εκάστοτε εργασία σας το ηλεκτρικό εργαλείο που προορίζεται για αυτήν. Με το κατάλληλο ηλεκτρικό εργαλείο, εργάζεστε καλύτερα και ασφαλέστερα στην ονομαστική περιοχή ισχύος του.
- β. Μην χρησιμοποιήσετε ποτέ ένα ηλεκτρικό εργαλείο του οποίου ο διακόπτης λειτουργίας είναι χαλασμένος. Ένα ηλεκτρικό εργαλείο του οποίου η λειτουργία δεν μπορεί να ελεγχθεί με το διακόπτη είναι επικίνδυνο και πρέπει να επισκευαστεί.
- γ. Βγάλετε το φως από την πρίζα ή/και την μπαταρία από το ηλεκτρικό εργαλείο, πριν διεξαγάγετε κάποια εργασία ρύθμισης, πριν αλλάξετε κάποιο αξεσουάρ ή όταν πρόκειται να αποθηκεύσετε τα ηλεκτρικά εργαλεία. Αυτά τα προληπτικά μέτρα ασφαλείας μειώνουν τον κίνδυνο να θεθεί το εργαλείο ακούσια σε λειτουργία.
- δ. Να φυλάτε τα ηλεκτρικά εργαλεία που δε χρησιμοποιείτε μακριά από παιδιά. Μην αφήνετε άτομα που δεν είναι εξοικειωμένα με το ηλεκτρικό εργαλείο ή που δεν έχουν διαβάσει αυτές τις οδηγίες χρήσης να το χρησιμοποιήσουν. Τα ηλεκτρικά εργαλεία είναι επικίνδυνα όταν χρησιμοποιούνται από άτομα χωρίς κατάλληλη εκπαίδευση.
- ε. Να συντηρείτε τα ηλεκτρικά εργαλεία. Ελέγξτε εάν τα κινούμενα εξαρτήματα είναι σωστά ευθυγραμμισμένα ή μήπως έχουν μπλοκάρει, μήπως έχουν σπάσει κομμάτια, καθώς και εάν πληρούνται όλες οι υπόλοιπες προϋποθέσεις που ενδεχομένως να επηρεάσουν τη σωστή λειτουργία του εργαλείου. Δώστε τυχόν χαλασμένα εξαρτήματα του ηλεκτρικού εργαλείου για επισκευή πριν το χρησιμοποιήσετε πάλι. Η ανεπαρκής συντήρηση των ηλεκτρικών εργαλείων αποτελεί αιτία πολλών ατυχημάτων.
- στ. Διατηρείτε τα κοπτικά εργαλεία κοφτερά και καθαρά. Τα κοπτικά εργαλεία με αιχμηρά κοπτικά άκρα που συντηρούνται σωστά έχουν λιγότερες πιθανότητες να μπλοκάρουν και ελέγχονται ευκολότερα.

- ζ. Να χρησιμοποιείτε τα ηλεκτρικά εργαλεία, τα αξεσουάρ, τις μύτες εργαλείων κλπ. σύμφωνα με τις παρούσες οδηγίες, λαμβάνοντας υπόψη σας τις συνθήκες εργασίας και την εργασία που θέλετε να εκτελέσετε. Η χρήση του ηλεκτρικού εργαλείου για εργασίες πέρα από τις προβλεπόμενες μπορεί να οδηγήσει σε επικίνδυνες καταστάσεις.

5. Τεχνική εξυπηρέτηση

- α. Εργασίες τεχνικής εξυπηρέτησης του ηλεκτρικού σας εργαλείου πρέπει να αναλαμβάνουν μόνο έμπειροι τεχνικοί και μόνο χρησιμοποιώντας γνήσια ανταλλακτικά. Έτσι, εξασφαλίζεται η διατήρηση της ασφάλειας του ηλεκτρικού εργαλείου.

Συμπληρωματικές προειδοποιήσεις ασφαλείας για τα ηλεκτρικά εργαλεία



Προειδοποίηση! Συμπληρωματικές προειδοποιήσεις ασφαλείας για τα αλυσοπρίονα

- ◆ Κρατάτε όλα τα μέρη του σώματος μακριά από την αλυσίδα όταν το αλυσοπρίονο βρίσκεται σε λειτουργία. Πριν να θέσετε σε λειτουργία το αλυσοπρίονο, φροντίστε η αλυσίδα του πριονιού να μη βρίσκεται σε επαφή με οποιοδήποτε αντικείμενο. Μια στιγμιαία απροσεξία κατά το χειρισμό του αλυσοπρίονου μπορεί να οδηγήσει στην εμπλοκή του εργαλείου με τα ρούχα ή το σώμα σας.
- ◆ Πάντα να κρατάτε το αλυσοπρίονο με το δεξιό χέρι στην πίσω χειρολαβή και το αριστερό σας στην μπροστινή χειρολαβή. Ποτέ δεν πρέπει να κρατάτε το αλυσοπρίονο με αντίθετη διάταξη χεριών γιατί αυξάνεται ο κίνδυνος προσωπικού τραυματισμού.
- ◆ Κρατάτε το ηλεκτρικό εργαλείο από τις μονωμένες επιφάνειες λαβής μόνο, διότι η αλυσίδα μπορεί να έρθει σε επαφή με το δικό της καλώδιο. Οι αλυσίδες πριονιού που έρχονται σε επαφή με καλώδια υπό τάση μπορεί να καταστήσουν και τα εκτεθειμένα μεταλλικά μέρη του ηλεκτρικού εργαλείου ηλεκτροφόρα και να προκαλέσουν ηλεκτροπληξία στο χειριστή.
- ◆ Όταν χρησιμοποιείτε αυτό το εργαλείο, να φοράτε προστατευτικά γυαλιά και ωτοασπίδες. Συνιστάται η χρήση περαιτέρω προστατευτικού εξοπλισμού για το κεφάλι, τα χέρια και τα πόδια. Τα κατάλληλα προστατευτικά ρούχα μειώνουν τον κίνδυνο προσωπικού τραυματισμού από τα εκτοξευόμενα θραύσματα ή την τυχαία επαφή με την αλυσίδα.
- ◆ Μη λειτουργείτε το αλυσοπρίονο ανεβασμένος σε δέντρο. Η χρήση του αλυσοπρίονου ενώ βρίσκεστε πάνω σε δέντρο μπορεί να οδηγήσει σε προσωπικό τραυματισμό.

- ◆ **Φροντίζετε να έχετε πάντοτε την κατάλληλη στάση και να λειτουργείτε το αλυσοπρίονο μόνο όταν στέκεστε σε σταθερή, ασφαλή και επίπεδη επιφάνεια.** Οι ολισθηρές ή ασταθείς επιφάνειες όπως οι σκάλες μπορούν να προκαλέσουν απώλεια της ισορροπίας ή του ελέγχου του αλυσοπρίονου.
- ◆ **Κατά την κοπή ενός κλαδιού που έχει καμφθεί, προσέξτε το ενδεχόμενο επαναφοράς του.** Όταν πάμε να ασκείται πίεση στις ίνες του ξύλου, το κλαδί που βρισκόταν σε κάμψη ενδέχεται να κτυπήσει το χειριστή ή/και το αλυσοπρίονο, με αποτέλεσμα την απώλεια του ελέγχου του.
- ◆ **Να είστε ιδιαίτερα προσεκτικοί όταν κόβετε θάμνους και δενδρύλλια.** Τα λεπτά υλικά μπορεί να πιαστούν στην αλυσίδα και να πιναχτούν προς εσάς ή να σας κάνουν να χάσετε την ισορροπία σας.
- ◆ **Να μεταφέρετε το αλυσοπρίονο από την μπροστινή λαβή με την αλυσίδα πριονιού σταματημένη και σε απόσταση από το σώμα σας.** Όταν αποθηκεύετε ή μετακινείτε το αλυσοπρίονο τοποθετείτε πάντα το κάλυμμα της μπάρας οδηγού. Ο σωστός χειρισμός του αλυσοπρίονου μειώνει την πιθανότητα τυχαίας επαφής με την κινούμενη αλυσίδα.
- ◆ **Ακολουθήστε τις σχετικές οδηγίες σε ότι αφορά τη λίπανση, το τέντωμα της αλυσίδας και την αλλαγή των εξαρτημάτων.** Όταν μια αλυσίδα δεν έχει ταυστεί ή λιπανθεί σωστά, κινδυνεύει να σπάσει ή να αυξήσει την πιθανότητα λακτίσματος (κλωσήματος)
- ◆ **Φροντίστε οι λαβές να είναι στεγνές, καθαρές και χωρίς λάδια ή γράσα.** Λαβές με γράσα και λάδια είναι γλιστερές και προκαλούν την απώλεια ελέγχου.
- ◆ **Το εργαλείο προορίζεται αποκλειστικά για την κοπή ξύλου. Μη χρησιμοποιείτε το αλυσοπρίονο για εργασίες για τις οποίες δεν προορίζεται. Για παράδειγμα: μη χρησιμοποιείτε αυτό το αλυσοπρίονο για κοπή πλαστικών, τοιχοποιία η μη-ξύλινα υλικά κατασκευής.** Η χρήση του αλυσοπρίονου για άλλες εκτός από τις προβλεπόμενες εργασίες μπορεί να δημιουργήσει επικίνδυνες καταστάσεις.

Αιτίες και αποφυγή κλωσήματος

Μπορεί να παρατηρηθεί κλότσημα όταν η μύτη ή το άκρο της μπάρας οδηγού έρθει σε επαφή με ένα αντικείμενο ή όταν το ξύλο περισφίξει και μαγκώσει την αλυσίδα μέσα στην τομή. Η επαφή του άκρου με ένα αντικείμενο μπορεί σε ορισμένες περιπτώσεις να προκαλέσει απότομη αντίστροφη κίνηση, κλωτώνοντας την μπάρα οδηγού προς τα πάνω και προς τα πίσω προς το μέρος του χειριστή. Το μάγκωμα της αλυσίδας του εργαλείου κατά μήκος του πάνω μέρους της μπάρας οδηγού μπορεί να στρώξει γρήγορα προς τα πίσω την μπάρα οδήγησης προς το μέρος του χειριστή. Μία από αυτές τις αντιδράσεις μπορεί να σας κάνει να χάσετε τον έλεγχο του αλυσοπρίονου με κίνδυνο σοβαρού τραυματισμού.

Μη βασίζεστε αποκλειστικά στις διατάξεις ασφαλείας που διαθέτει το αλυσοπρίονό σας. Ως χρήστης αλυσοπρίονου, θα πρέπει να παίρνετε ορισμένες προφυλάξεις για να αποφύγετε τα ατυχήματα και τους τραυματισμούς κατά τη διάρκεια των εργασιών κοπής που εκτελείτε. Το κλότσημα αποτελεί συνέπεια ενός εσφαλμένου ή ελλιπούς χειρισμού του αλυσοπρίονου. Μπορεί να αποφευχθεί με κατάλληλα προληπτικά μέτρα, όπως αυτά που περιγράφονται παρακάτω.

- ◆ **Κρατάτε γερά το αλυσοπρίονο, με τους αντίχειρες και τα δάχτυλα να περικλείουν την λαβή του αλυσοπρίονου. Να κρατάτε το αλυσοπρίονο και με τα δυο σας χέρια και να δίνετε στο σώμα και στους βραχιόνες σας μια θέση, στην οποία θα μπορέσετε να αντιμετωπίσετε τυχόν αντιδραστικές δυνάμεις (κλωσήματα).** Όταν έχουν ληφθεί κατάλληλα προληπτικά μέτρα, ο χειριστής μπορεί να αντιμετωπίσει με επιτυχία το κλότσημα. Μην αφήνετε ελεύθερο το αλυσοπρίονο.
- ◆ **Μην τεντώνετε και μην κόβετε πάνω από το ύψος του ώμου σας.** Αυτό βοηθάει στην αποφυγή της αθέλητης επαφής του άκρου με άλλο αντικείμενο και επιτρέπει τον καλύτερο έλεγχο του αλυσοπρίονου σε απρόοπτες καταστάσεις.
- ◆ **Χρησιμοποιείτε αποκλειστικά τις ανταλλακτικές ράβδους και αλυσίδες που καθορίζονται από τον κατασκευαστή.** Ακατάλληλες ανταλλακτικές μπάρες οδηγού και αλυσίδες μπορεί να προκαλέσουν το σπάσιμο της αλυσίδας ή/και το κλότσημα του εργαλείου.
- ◆ **Να ακολουθείτε πάντα τις οδηγίες του κατασκευαστή σχετικά με το ακόνισμα και τη συντήρηση της αλυσίδας του εργαλείου.** Η μείωση του ύψους του ρυθμιστή βάθους κοπής μπορεί να οδηγήσει σε αύξηση του κλωσήματος.
- ◆ **Αν χτυπήσετε μέταλλο, τσιμέντο ή άλλο σκληρό υλικό που βρίσκεται κοντά στο ξύλο ή χλωμένο μέσα στο ξύλο μπορεί να προκαλέσει κλότσημα.**
- ◆ **Αν η αλυσίδα δεν είναι αιχμηρή ή αν είναι χαλαρή μπορεί να προκαλέσει κλότσημα.**
- ◆ **Μην προσπαθήσετε να το εισάγετε σε παλιότερη κοπή.** Θα μπορούσε να προκληθεί κλότσημα της μηχανής. Κάντε μια νέα κοπή κάθε φορά.

Συστάσεις ασφαλείας για το αλυσοπρίονο

- ◆ Συστάται σε όσους χρησιμοποιούν αλυσοπρίονο για πρώτη φορά να λαμβάνουν πρακτικές οδηγίες για τη χρήση και τον προστατευτικό εξοπλισμό από έναν πεπειραμένο χρήστη. Θα πρέπει να γίνεται εξάσκηση στην κοπή κορμών πάνω σε βαλαέτο ή ικρίωμα.

- ◆ Διατηρείτε το αλυσοπρίονό σας σε καλή κατάσταση, όταν δεν το χρησιμοποιείτε. Όταν φυλάσσετε το αλυσοπρίονό σας για μεγάλο χρονικό διάστημα πρέπει να αφαιρείτε την αλυσίδα και την μπάρα οδήγησης και να τα φυλάσσετε μέσα σε λάδι. Φυλάσσετε όλα τα εξαρτήματα του αλυσοπρίονου σε ένα ξηρό, ασφαλές μέρος μακριά από τα παιδιά.
- ◆ Συνιστάται να στραγγίσετε το δοχείο λαδιού πριν από την φόρλαξη.
- ◆ Βεβαιωθείτε ότι πατάτε καλά και σταθερά και προβλέψτε ένα δρόμο διαφυγής από το δέντρο ή τα κλαδιά που θα πέσουν.
- ◆ Χρησιμοποιήστε σφήνες για να ελέγξετε καλύτερα την κοπή και να αποφύγετε την εμπλοκή της αλυσίδας και της μπάρας οδηγού μέσα στην τομή.
- ◆ Φροντίδα της αλυσίδας του πριονιού. Διατηρείτε την αλυσίδα αιχμηρή και σφιχτή πάνω στην μπάρα οδηγού. Βεβαιωθείτε ότι η αλυσίδα και η μπάρα οδηγού είναι καθαρές και καλά λαδωμένες. Διατηρείτε τις λαβές στεγνές, καθαρές, χωρίς λάδι και γράσο.

Μην κόβετε

- ◆ Έτοιμη ξυλεία.
- ◆ Το έδαφος.
- ◆ Φράχτες από συρματόπλεγμα, καρφιά κτλ.

Πρόσθετες οδηγίες ασφαλείας

- ◆ Βεβαιωθείτε πως υπάρχει κάποιος κοντά (αλλά σε απόσταση ασφαλείας) για την περίπτωση ατυχήματος.
- ◆ Αν για οποιονδήποτε λόγο πρέπει να ακουμπήσετε την αλυσίδα, βεβαιωθείτε ότι το αλυσοπρίονο είναι αποσυνδεδεμένο από την παροχή ρεύματος.
- ◆ Ο θόρυβος που προκαλείται από το προϊόν αυτό μπορεί να ξεπεράσει τα 85 dB(A). Επομένως σας συνιστούμε να λαμβάνετε τα απαραίτητα μέτρα για την προστασία της ακοής σας.
- ◆ **Κατά το χειρισμό του προϊόντος η ράβδος της αλυσίδας μπορεί να θερμανθεί, χειριστείτε με προσοχή.**

Ασφάλεια τρίτων

- ◆ Αυτή η συσκευή δεν προορίζεται για χρήση από άτομα (στα οποία περιλαμβάνονται και τα παιδιά) με μειωμένες φυσικές, αντιληπτικές ή διανοητικές ικανότητες ή άτομα χωρίς εμπειρία και γνώσεις, παρά μόνο εφόσον επιτηρούνται ή τους έχουν δοθεί οδηγίες σχετικά με τη χρήση του εργαλείου από άτομο υπεύθυνο για την ασφάλειά τους.
- ◆ Τα παιδιά πρέπει να επιτηρούνται για να διασφαλίζεται ότι δεν παίζουν με το εργαλείο.

Αναπόφευκτοι κίνδυνοι.

Μπορεί να δημιουργηθούν επιπρόσθετοι αναπόφευκτοι κίνδυνοι όταν χρησιμοποιείτε το εργαλείο, οι οποίοι μπορεί να μην συμπεριλαμβάνονται στις προειδοποιήσεις ασφαλείας που εσωκλείονται. Αυτοί οι κίνδυνοι μπορεί να προκληθούν από κακή χρήση, παρατεταμένη χρήση κτλ. Ακόμα και με την τήρηση των σχετικών κανονισμών ασφαλείας και τη χρήση μέσων προστασίας, ορισμένοι κίνδυνοι δεν είναι δυνατό να εξαιρεθούν. Αυτοί περιλαμβάνουν:

- ◆ Τραυματισμούς από το άγγιγμα των περιστρεφόμενων/κινούμενων εξαρτημάτων.
- ◆ Τραυματισμούς από αλλαγή οποιωνδήποτε εξαρτημάτων, λεπίδων ή εξεσουάρ.
- ◆ Τραυματισμούς από παρατεταμένη χρήση του εργαλείου. Όταν χρησιμοποιείτε οποιοδήποτε εργαλείο για παρατεταμένες χρονικές περιόδους, βεβαιωθείτε ότι κάνετε τακτικά διαλείμματα.
- ◆ Προβλήματα ακοής.
- ◆ Κίνδυνοι στην υγεία που προκαλούνται από την εισπνοή σκόνης όταν χρησιμοποιείτε το εργαλείο (παραδείγματα:- όταν ετεξεργάζεστε ξύλο, ειδικά δρυ, οξιά και MDF.)

Δόνηση

Η δηλωμένη τιμή εκπομπής δόνησης που αναφέρεται στα τεχνικά χαρακτηριστικά και τη δήλωση συμμόρφωσης έχει μετρηθεί σύμφωνα με μια τυποποιημένη μέθοδο δοκιμής που παρέχεται από το πρότυπο EN 60745 και μπορεί να χρησιμοποιηθεί για τη σύγκριση ενός εργαλείου με ένα άλλο. Η δηλωμένη τιμή εκπομπής δόνησης μπορεί επίσης να χρησιμοποιηθεί σε έναν προκαταρκτικό προσδιορισμό της έκθεσης.

Προειδοποίηση! Η τιμή εκπομπής δόνησης κατά την πραγματική χρήση του ηλεκτρικού εργαλείου μπορεί να διαφέρει από τη δηλωμένη τιμή, ανάλογα με το τρόπο που χρησιμοποιείται το εργαλείο. Η στάθμη δόνησης μπορεί να αυξηθεί πάνω από τη στάθμη που έχει δηλωθεί.

Κατά τον προσδιορισμό της έκθεσης σε δόνηση για τον καθορισμό των απαιτούμενων μέτρων ασφάλειας σύμφωνα με την οδηγία 2002/44/ΕΚ για την προστασία προσώπων που χρησιμοποιούν συχνά ηλεκτρικά εργαλεία στην εργασία τους, μια προσεγγιστική εκτίμηση της έκθεσης σε δόνηση πρέπει να λαμβάνει υπόψη τις πραγματικές συνθήκες χρήσης και τον τρόπο χρήσης του εργαλείου, συμπεριλαμβανομένων και όλων των επιμέρους τμημάτων του κύκλου εργασίας, όπως πόσες φορές τέθηκε το εργαλείο εκτός λειτουργίας, πότε είναι σε λειτουργία χωρίς φορτίο επιπρόσθετα στο χρόνο πίεσης της σκανδάλης.

Ετικέτες στο εργαλείο

Τα ακόλουθα εικονογράμματα εμφανίζονται στο εργαλείο:



Προειδοποίηση! Για να μειωθεί ο κίνδυνος τραυματισμού, ο χρήστης πρέπει να διαβάσει το εγχειρίδιο οδηγιών.



Φοράτε προστατευτικά γυαλιά όταν χρησιμοποιείτε αυτό το εργαλείο.



Φοράτε ωτασπίδες όταν χρησιμοποιείτε αυτό το εργαλείο.



Μην εκθέτετε το εργαλείο στη βροχή ή σε υψηλή υγρασία.



Οδηγία 2000/14/EK περί εγγυημένης ακουστικής ισχύος.



Αφαιρέστε το καλώδιο από την πρίζα αμέσως, εάν φθαρεί ή κοπεί.



Προσοχή: Μην σφίγγετε υπερβολικά. Σφίξτε καλά με το χέρι. Σφίξτε με τα δάκτυλα μόνο.

Ασφαλής χρήση ηλεκτρικού ρεύματος



Αυτή η συσκευή διαθέτει διπλή μόνωση, επομένως δεν απαιτείται καλώδιο γείωσης. Ελέγχετε πάντοτε αν η τάση τροφοδοσίας αντιστοιχεί σε αυτήν που αναγράφεται στην πινακίδα τεχνικών χαρακτηριστικών.

- ♦ Αν το καλώδιο τροφοδοσίας είναι κατεστραμμένο, πρέπει να αντικατασταθεί από τον κατασκευαστή ή εξουσιοδοτημένο κέντρο τεχνικής υποστήριξης BLACK+DECKER για την αποφυγή κινδύνου.

Χρήση καλωδίου προέκτασης

- ♦ Χρησιμοποιείτε πάντα εγκεκριμένα καλώδια προέκτασης, κατάλληλα για την ισχύ εισόδου αυτού του εργαλείου (δείτε τεχνικά χαρακτηριστικά). Το καλώδιο προέκτασης πρέπει να είναι κατάλληλο για χρήση σε εξωτερικούς χώρους και να φέρει την αντίστοιχη σήμανση. Μπορείτε να χρησιμοποιήσετε ένα καλώδιο προέκτασης 1.5 mm² HO7RN-F 2 X μήκους έως 30 m, χωρίς απώλειες απόδοσης του εργαλείου. Πριν από τη χρήση, ελέγξτε προσεκτικά το καλώδιο προέκτασης για σημάδια ζημιάς, φθοράς ή παλαιώσης. Αντικαταστήστε το καλώδιο προέκτασης αν παρουσιάσει ζημιά ή ελάττωμα. Όταν χρησιμοποιείτε καρούλι καλωδίου, πάντα να ξετυλίγετε το καλώδιο εντελώς.

Πτώσεις τάσης

- ♦ Υπό ορισμένες συνθήκες τροφοδοσίας το προϊόν αυτό μπορεί να προκαλέσει σύντομες πτώσεις τάσης κατά την εκκίνηση.
- ♦ Μπορεί να επηρεαστεί άλλος εξοπλισμός. Για παράδειγμα, μπορεί να μειωθεί προσωρινά η φωτεινότητα ηλεκτρικών λαμπτήρων.
- ♦ Επικοινωνήστε με την αρχή τροφοδοσίας, εάν χρειάζεται, για να διαπιστώσετε εάν η αντίσταση της τροφοδοσίας είναι χαμηλότερη από 0.172/0.293 ohm. Είναι άπιθανο να συμβούν διαταραχές υπό αυτή τη συνθήκη.

Λάβετε τις κατάλληλες προφυλάξεις κατά της ηλεκτροπληξίας

- ♦ Αποφύγετε τη σωματική επαφή με γειωμένες ή συνδεδεμένες με το έδαφος επιφάνειες (π.χ. μεταλλικά κικλιδώματα, λάμπες κ.τ.λ.). Η ασφάλεια έναντι ηλεκτροπληξίας μπορεί να βελτιωθεί ακόμα περισσότερο αν χρησιμοποιηθεί Διάταξη Προστασίας Ρεύματος Διαρροής (RCD) υψηλής ευαισθησίας (30 mA / 30 ms).



Προειδοποίηση! Η χρήση μιας διάταξης RCD ή μιας άλλης μονάδας διακοπής κυκλώματος δεν απαλλάσσει το χρήστη του αλυσοπρίονου από την τήρηση των οδηγιών ασφαλείας και των ασφαλών πρακτικών εργασίας που παρέχονται σε αυτό το εγχειρίδιο χρήσης.

Λειτουργίες

1. Διακόπτης λειτουργίας
2. Κουμπί απασφάλισης
3. Πρόσθιος προφυλακτήρας/φρένο αλυσίδας
4. Μπάρα οδηγού
5. Αλυσίδα
6. Διάταξη καλύμματος αλυσίδας
7. Μπουτόν κλειδώματος ρύθμισης αλυσίδας
8. Τροχός ρύθμισης τάνυσης αλυσίδας
9. Θήκη αλυσίδας
10. Καλώδιο τροφοδοσίας
11. Ασφάλεια καλωδίου ρεύματος
12. Πώμα λαδιού
13. Δείκτης στάθμης λαδιού

Συναρμολόγηση



Προειδοποίηση! Να φοράτε πάντα προστατευτικά γάντια όταν πραγματοποιείτε εργασίες στο αλυσοπρίονο.



Προειδοποίηση! Πριν πραγματοποιήσετε οποιαδήποτε συναρμολόγηση ή συντήρηση σε ηλεκτρικά εργαλεία, απενεργοποιήστε τα και αποσυνδέστε τα από το ρεύμα.



Προειδοποίηση! Αφαιρέστε το δεματικό καλωδίου το οποίο συγκρατεί την αλυσίδα στην μπάρα αλυσίδας πριν από τη συναρμολόγηση.

Λάδωμα της αλυσίδας

Πρέπει να το κάνετε όποτε χρησιμοποιείτε μια καινούργια αλυσίδα (5) για πρώτη φορά. Πάρτε την καινούργια αλυσίδα (5) και μουσκέψτε την σε λάδι για αλυσίδες για τουλάχιστον μία ώρα πριν τη χρησιμοποιήσετε. Χρησιμοποιείτε λάδι για αλυσίδες BLACK+DECKER. Συνιστάται να χρησιμοποιείτε μόνο λάδι BLACK+DECKER καθ' όλη τη διάρκεια ζωής του αλυσοπρίονού σας, καθώς μίγματα διαφορετικών λαδιών μπορεί να μειώσουν την ποιότητα του λαδιού, με αποτέλεσμα τη σοβαρή μείωση της διάρκειας ζωής της αλυσίδας και τη δημιουργία πρόσθετων κινδύνων. Ποτέ μην χρησιμοποιείτε χρησιμοποιημένα λάδια, παχύ λάδι ή πολύ λεπτόρρευστο λάδι ραπτομηχανής. Μπορεί να προκαλέσουν βλάβη στο αλυσοπρίονο σας.

Τοποθέτηση της μπάρας οδηγού και της αλυσίδας. (εικ. Α - Ε)

- ◆ Τοποθετήστε το αλυσοπρίονο πάνω σε σταθερή επιφάνεια.
- ◆ Ρυθμίστε τον προφυλακτήρα/το φρένο αλυσίδας (3) στην μπροστινή θέση (εικ. Α).

- ◆ Περιστρέψτε το μπουτόν κλειδώματος ρύθμισης της αλυσίδας (7) προς τα αριστερά για να αφαιρέσετε το κάλυμμα της αλυσίδας (6) (εικ. Β).
- ◆ Τοποθετήστε την αλυσίδα (5) πάνω στην μπάρα οδηγού (4) και βεβαιωθείτε πως οι λεπίδες της αλυσίδας στο πάνω τμήμα της μπάρας οδηγού (4) είναι στραμμένες προς τα εμπρός (εικ. C).
- ◆ Οδηγήστε την αλυσίδα (5) γύρω από την μπάρα οδηγού (4) και τραβήξτε την για να δημιουργήσετε μια θηλιά από τη μία πλευρά στο πίσω μέρος της μπάρας οδηγού (4).
- ◆ Οδηγήστε την αλυσίδα (5) γύρω από την οδόντωση κίνησης (14) και ευθυγραμμίστε τη σχισμή στην μπάρα οδηγού και την κεντρική οπή του τροχού τάνυσης της αλυσίδας (16) με το μπουλόνι (15) (εικ. D).

Σημείωση: περιστρέψτε τον τροχό τάνυσης της αλυσίδας όσο χρειάζεται για να ευθυγραμμίσετε την κεντρική οπή με το μπουλόνι (15).

Προειδοποίηση! Βεβαιωθείτε ότι η διάταξη προφυλακτήρα/φρένου αλυσίδας (3) έχει ρυθμιστεί στην (εμπρός) θέση πριν από την επανατοποθέτηση (εικ. Α).

- ◆ Τοποθετήστε το κάλυμμα της αλυσίδας (6) πάνω στο αλυσοπρίονο.
- ◆ Βεβαιωθείτε ότι η προεξοχή (17) στο κάλυμμα της αλυσίδας βρίσκεται στη σωστή θέση της σχισμής (18) στο κύριο περίβλημα (εικ. Ε).
- ◆ Περιστρέψτε το μπουτόν κλειδώματος ρύθμισης της αλυσίδας (7) προς τα δεξιά μέχρι να σφίξει.
- ◆ Ελέγξτε το τέντωμα: ανατρέξτε στην ενότητα "Έλεγχος της τάνυσης αλυσίδας" παρακάτω.
- ◆ Αν το τέντωμα της αλυσίδας είναι χαλαρό, ανατρέξτε στην ενότητα "Αύξηση της τάνυσης αλυσίδας" παρακάτω.

Έλεγχος της τάνυσης της αλυσίδας (εισαγωγή εικ. F)

Να ελέγχετε την τάνυση της αλυσίδας πριν από την χρήση και μετά από κάθε 10 λεπτά χρήσης.

- ◆ Αποσυνδέστε το εργαλείο από την πρίζα
- ◆ Τραβήξτε ελαφρά την αλυσίδα (5) όπως υποδεικνύεται (εικ. F). Η τάνυση έχει ρυθμιστεί σωστά, όταν η αλυσίδα (5) επανέρχεται αμέσως στη θέση της, αφού τραβηχτεί σε απόσταση 3 mm από την μπάρα οδηγού (4). Δεν πρέπει να υπάρχει "κοιλιά" μεταξύ της μπάρας οδηγού (4) και της αλυσίδας (5) στην κάτω πλευρά (εικ. G).

Αύξηση της τάνυσης της αλυσίδας (εικ. Β)

- ◆ Χαλαρώστε το μπουτόν κλειδώματος ρύθμισης της αλυσίδας (7) αριστερόστροφα κάνοντας μισή περιστροφή.
- ◆ Περιστρέψτε τον τροχό ρύθμισης της τάνυσης αλυσίδας (8) προς τα δεξιά μέχρι να νιώσετε ελαφριά αντίσταση.
- ◆ Ελέγξτε το τέντωμα: ανατρέξτε στην ενότητα "Έλεγχος της τάνυσης αλυσίδας".

- ◆ Αν είναι ικανοποιητικό, ξανασφίξτε το μπουτόν κλειδώματος (7), ενώ αν απαιτείται κι άλλο τέντωμα, περιστρέψτε τον τροχό ρύθμισης (8). Στη συνέχεια, σφίξτε ξανά το μπουτόν κλειδώματος (7).

Σημείωση: Μην σφίγγετε υπερβολικά την αλυσίδα, καθώς αυτό μπορεί να προκαλέσει υπερβολική φθορά και μείωση της διάρκειας ζωής της μπάρας οδηγού και της αλυσίδας.

Σημείωση: Όταν η αλυσίδα είναι καινούρια, να ελέγχετε συχνά την τάνυση (αφού αποσυνδέσετε το αλυσοπρίονο από την παροχή ρεύματος) κατά τις πρώτες 2 ώρες χρήσης, καθώς μια καινούργια αλυσίδα τεντώνεται ελαφρώς.

Χρήση Προειδοποίηση!

Αφήστε το εργαλείο να λειτουργήσει με το δικό του ρυθμό. Μην υπερφορτώνετε.

Γέμισμα του δοχείου λαδιού (εικ. Η)

- ◆ Αφαιρέστε το πώμα λαδιού (12) και γεμίστε το δοχείο με το συνιστώμενο λάδι για αλυσίδες. Μπορείτε να δείτε το επίπεδο του λαδιού στην ένδειξη στάθμης λαδιού (13). Τοποθετήστε ξανά το πώμα λαδιού (12).
- ◆ Περιοδικά να θέτετε εκτός λειτουργίας το εργαλείο και να ελέγχετε το λάδι από το δείκτη στάθμης λαδιού (13). Αν είναι γεμάτο λιγότερο από ένα τέταρτο, αποσυνδέστε το αλυσοπρίονο από την πρίζα και αναπληρώστε με το σωστό λάδι.

Αυτό το αλυσοπρίονο είναι εξοπλισμένο με αυτόματο σύστημα λίπανσης που διατηρεί την αλυσίδα του πριονιού και την μπάρα οδηγού διαρκώς λιπασμένες. Συνιστάται να χρησιμοποιείτε μόνο λάδι BLACK+DECKER καθ' όλη τη διάρκεια ζωής του αλυσοπριονιού σας, καθώς μίγματα διαφορετικών λαδιών μπορεί να μειώσουν την ποιότητα του λαδιού, με αποτέλεσμα τη σοβαρή μείωση της διάρκειας ζωής της αλυσίδας και τη δημιουργία πρόσθετων κινδύνων. Ποτέ μην χρησιμοποιείτε χρησιμοποιημένα λάδια, παχύ λάδι ή πολύ λεπτόρρευστο λάδι ραπτομηχανής. Αυτό μπορεί να προκαλέσουν ζημιά στο αλυσοπρίονο. Χρησιμοποιήστε μόνο την κατάλληλη ποιότητα λαδιού (αρ. κατ. Α6023-QZ).

- ◆ Το αλυσοπρίονο τροφοδοτεί αυτόματα λάδι στην αλυσίδα κατά τη χρήση.

Ρύθμιση του φρένου αλυσίδας (εικ. Α)

- ◆ Βεβαιωθείτε ότι το εργαλείο είναι αποσυνδεδεμένο από την παροχή ρεύματος.
- ◆ Τραβήξτε τον προφυλακτήρα/το φρένο αλυσίδας (3) πίσω στη θέση "ρύθμισης" (εικ. Α).
- ◆ Το εργαλείο είναι τώρα έτοιμο για χρήση.

Ενεργοποίηση

Σημείωση: Δεν είναι δυνατή η ενεργοποίηση του εργαλείου εάν ο πρόσθιος προφυλακτήρας ή το φρένο αλυσίδας δεν βρισκείται στη θέση "ρύθμισης".

- ◆ Πιάστε γερά το αλυσοπρίονό σας και με τα δύο χέρια. Πιάστε το κουμπί απασφάλισης (2) και πιέστε το διακόπτη λειτουργίας (1) για να τεθεί σε λειτουργία.
- ◆ Μετά την εκκίνηση του μοτέρ, απομακρύνετε τον αντίχειρά σας από το μπουτόν ασφάλισης (2) και πιάστε γερά τη λαβή. Μην πνέετε το εργαλείο, αφήστε το εργαλείο να λειτουργήσει με το δικό του ρυθμό. Η εργασία θα γίνει καλύτερα και με μεγαλύτερη ασφάλεια, εάν το εργαλείο λειτουργεί με την ταχύτητα για την οποία έχει σχεδιαστεί. Η άσκηση υπερβολικής δύναμης καταπονεί την αλυσίδα (5).

Λειτουργία του φρένου αλυσίδας κατά του κλοστήματος του εργαλείου

Σε περίπτωση κλοστήματος της μηχανής, το αριστερό σας χέρι έρχεται σε επαφή με τον πρόσθιο προφυλακτήρα, πιέζοντάς τον προς τα εμπρός, προς το επεξεργαζόμενο αντικείμενο, και σταματά το εργαλείο εντός μερικών κλασμάτων του δευτερολέπτου.

Ρύθμιση του φρένου αλυσίδας κατά του κλοστήματος του εργαλείου (εικ. Α)

- ◆ Πριν από τη χρήση, να βεβαιώνετε πάντα ότι το φρένο κατά του κλοστήματος λειτουργεί σωστά.
- ◆ Πιάστε γερά το εργαλείο και με τα δύο χέρια πάνω σε μια σταθερή επιφάνεια – βεβαιωθείτε ότι η αλυσίδα (5) δεν ακουμπάει στο έδαφος και θέστε το σε λειτουργία (βλ. "Πώς να θέσετε το αλυσοπρίονο σε λειτουργία").
- ◆ Περιστρέψτε το αριστερό σας χέρι προς τα εμπρός γύρω από την πρόσθια λαβή, ώστε το πίσω μέρος του χεριού σας να έρχεται σε επαφή με τη διάταξη προφυλακτήρα/φρένου αλυσίδας (3) και να το στρώνει προς τα εμπρός, προς το μέρος του επεξεργαζόμενου αντικειμένου (εικ. Α). Η αλυσίδα (5) πρέπει να σταματήσει σε δέκατα του δευτερολέπτου. Για την επαναρύθμιση μετά τη λειτουργία της διάταξης προφυλακτήρα/φρένου αλυσίδας (3) ακολουθήστε τις σχετικές οδηγίες για τη "Ρύθμιση του φρένου αλυσίδας".

Σημείωση: Μην επανεκκινήσετε το εργαλείο, εάν δεν ακούσετε τον κινητήρα να ακινητοποιείται τελείως.

Σημείωση: Εάν το φρένο της αλυσίδας παρουσιάσει δυσλειτουργία, παραδώστε το προϊόν σε ένα εγκεκριμένο κέντρο επισκευών BLACK+DECKER.

Σε περίπτωση εμπλοκής της αλυσίδας (5) ή της μπάρας οδηγού (4)

- ◆ Απενεργοποιήστε το εργαλείο.
- ◆ Αποσυνδέστε το εργαλείο από την πρίζα.
- ◆ Ανοίξτε την τομή με σφήνες για να μειώσετε την ένταση πάνω στην μπάρα οδηγού (4). Μην προσπαθήσετε να τραβήξετε απότομα το αλυσοπρίονο για να το απελευθερώσετε.
- ◆ Ξεκινήστε από νέο σημείο κοπής.

Κοπή δέντρων (εικ. Ι - Κ)

Οι μη πεπειραμένοι χρήστες δεν πρέπει να επιχειρούν να κόψουν δέντρα. Ο χρήστης μπορεί να υποστεί προσωπικό τραυματισμό ή να προκαλέσει υλική ζημία λόγω αποτυχίας ελέγχου της κατεύθυνσης πτώσης, ενώ το δέντρο μπορεί να σχιστεί ή να καταστραφεί/νεκρά κλαδιά μπορεί να πέσουν κατά την κοπή. Η απόσταση ασφαλείας ανάμεσα στο δέντρο που θα κοπεί και τους παρευρισκόμενους, κτίρια και άλλα αντικείμενα πρέπει να είναι τουλάχιστον 2 ½ φορές το ύψος του δέντρου. Κάθε παρευρισκόμενος, κτίριο ή αντικείμενο που βρίσκεται μέσα σ' αυτή την απόσταση βρίσκεται σε κίνδυνο χτυπήματος από το δέντρο όταν κόβεται.

Πριν επιχειρήσετε να κόψετε ένα δέντρο:

- ◆ Βεβαιωθείτε ότι δεν υπάρχουν τοπικοί νόμοι ή κανονισμοί που απαγορεύουν ή περιορίζουν το κόψιμο των δέντρων.
- ◆ Λάβετε υπόψη όλους τους παράγοντες που ενδέχεται να επηρεάσουν την κατεύθυνση της πτώσης, συμπεριλαμβανομένων:
 - ◆ Της επιθυμητής κατεύθυνσης της πτώσης.
 - ◆ Της φυσικής κλίσης του δέντρου.
 - ◆ Οποιοδήποτε δομικό χαρακτηριστικό του κλαδιού με μεγάλο βάρος ή τυχόν σημείο σήψης.
 - ◆ Των γύρω δέντρων και εμποδίων, συμπεριλαμβανομένων των αναρτημένων συρμάτων, σχοινιών, καλωδίων κ.λπ. και των υπόγειων αγωγών που υπάρχουν στο χώρο.
 - ◆ Της ταχύτητας και της διεύθυνσης του ανέμου.

Σχεδιάστε μια ασφαλή διαφυγή από το δέντρο ή τα κλαδιά του καθώς πέφτουν. Βεβαιωθείτε ότι το δρόμος διαφυγής δεν έχει εμπόδια τα οποία θα μπορούσαν να εμποδίσουν την απομάκρυνση. Έχετε υπόψη ότι το υγρό γρασιδί και ο φλοιός δέντρου που έχει κοπεί πρόσφατα είναι ολισθηρά.

- ◆ Μην επιχειρείτε να κόψετε δέντρα των οποίων η διάμετρος είναι μεγαλύτερη από το μήκος κοπής του αλυσοπρίνου.
- ◆ Πραγματοποιήστε μια κατευθυντήρια τομή για τον προσδιορισμό της κατεύθυνσης πτώσης.
- ◆ Πραγματοποιήστε μια οριζόντια τομή σε βάθος από 1/5 έως 1/3 της διαμέτρου του δέντρου, κάθετη στη γραμμική πτώση στη βάση του δέντρου (εικ. Ι).
- ◆ Πραγματοποιήστε μια δεύτερη τομή εκ των άνω για να διασταυρωθεί με την πρώτη και να σχηματίσει μια τομή 45° περίπου.
- ◆ Κάντε μία οριζόντια κοπή από την άλλη πλευρά 25 mm έως 50 mm πάνω από το κέντρο της κατευθυντήριας τομής. (εικ. Ι). Μην κόβετε μέσα στην κατευθυντήρια τομή, θα μπορούσατε να χάσετε τον έλεγχο της κατεύθυνσης πτώσης.
- ◆ Τοποθετήστε μία ή περισσότερες σφήνες σε αυτήν την κοπή για να την ανοίξετε και να κάνετε το δέντρο να πέσει (εικ. Κ).

Κλάδεμα δέντρων

Βεβαιωθείτε ότι δεν υπάρχουν τοπικοί νόμοι ή κανονισμοί που απαγορεύουν ή περιορίζουν το κλάδεμα των κλαδιών των δέντρων. Το κλάδεμα θα πρέπει να αναλαμβάνεται μόνο από πεπειραμένα άτομα, ειδάλλως αυξάνεται ο κίνδυνος από την εμπλοκή της αλυσίδας και το κλότσημα του αλυσοπρίνου.

Πριν το κλάδεμα λάβετε υπόψη όλες τις συνθήκες που μπορούν να επηρεάσουν την κατεύθυνση πτώσης, συμπεριλαμβανομένων:

- ◆ Του μήκους και του βάρους του κλαδιού που θα κοπεί.
- ◆ Οποιοδήποτε δομικό χαρακτηριστικό του κλαδιού με μεγάλο βάρος ή τυχόν σημείο σήψης.
- ◆ Των γύρω δέντρων και εμποδίων, συμπεριλαμβανομένων των αναρτημένων συρμάτων, σχοινιών, καλωδίων κ.λπ. που υπάρχουν στο χώρο.
- ◆ Της ταχύτητας και της διεύθυνσης του ανέμου.
- ◆ Της εμπλοκής των κλαδιών με άλλα κλαδιά. Ο χειριστής πρέπει να εξετάζει την πρόσβαση στο κλαδί του δέντρου και την κατεύθυνση πτώσης. Τα κλαδιά του δέντρου μπορεί να αιωρηθούν προς το κορμό του δέντρου. Εκτός από τον χρήστη, κάθε παρευρισκόμενος, κτίριο ή αντικείμενο κάτω από το κλαδί εκτίθεται σε κίνδυνο.
- ◆ Για να αποφύγετε τη δημιουργία σχιζών, πρώτα, κόψτε από κάτω προς τα πάνω κατά ένα τρίτο της διαμέτρου του κλαδιού.
- ◆ Πραγματοποιήστε τη δεύτερη τομή από πάνω προς τα κάτω έως να συναντήσετε την πρώτη κοπή.

Κοπή δέντρου σε τεμάχια (εικ. Λ - Ο)

Ο τρόπος κοπής εξαρτάται από τον τρόπο στήριξης του κορμού. Να χρησιμοποιείτε καβαλέτο όποτε είναι δυνατόν. Να ξεκινάτε να κόβετε πάντα με την αλυσίδα σε λειτουργία και να ακιδωτό προφυλακτήρα (20) σε επαφή με το ξύλο (εικ. Λ). Για να ολοκληρώσετε την κοπή χρησιμοποιήστε την περιστροφική κίνηση του ακιδωτού προφυλακτήρα πάνω στο ξύλο.

Όταν στηρίζεται σε όλο το μήκος του:

- ◆ Κάντε μια κοπή προς τα κάτω, αποφεύγοντας να ακουμπήσετε το έδαφος καθώς αυτό θα στομάσει την αλυσίδα σας πολύ γρήγορα.

Όταν στηρίζεται στα δύο άκρα:

- ◆ Πρώτα, κόψτε κατά ένα τρίτο προς τα κάτω για να αποφύγετε τη δημιουργία σχιζών, και δεύτερον, κόψτε μέχρι να συναντήσετε την πρώτη κοπή.

Όταν στηρίζεται στο ένα άκρο:

- ◆ Πρώτα, κόψτε κατά ένα τρίτο προς τα πάνω για να αποφύγετε τη δημιουργία σχιζών, και δεύτερον, κόψτε πάλι έως να συναντήσετε την πρώτη κοπή.

Σε κλίση:

- ◆ Να στέκεστε πάντα από την πάνω μεριά.

Όταν επιχειρείτε να κόψετε έναν κορμό πάνω στο έδαφος (εικ. Μ):

- ◆ Ασφαλίστε το αντικείμενο προς επεξεργασία με τάκους ή σφήνες. Ο χρήστης ή τυχόν παρευρισκόμενα άτομα δεν πρέπει να κάθονται ή να στέκονται πάνω στον κορμό για να τον σταθεροποιήσουν. Βεβαιωθείτε ότι η αλυσίδα δεν έρχεται σε επαφή με το έδαφος.

Όταν χρησιμοποιείτε καβαλέτο (εικ. Ν):

Συνιστάται όποτε είναι δυνατόν.

- ◆ Τοποθετήστε τον κορμό σε σταθερή θέση. Να κόβετε πάντα από την εξωτερική πλευρά των στηριγμάτων του καβαλέτου. Χρησιμοποιείτε σφικτήρες ή λουριά για να ασφαλίσετε το επεξεργαζόμενο αντικείμενο.

Κλάδεμα (εικ. Ο)

Αφαίρεση των κλαδιών από πεσμένο δέντρο. Κατά το κλάδεμα, αφήστε τα μεγαλύτερα, κατώτερα κλαδιά, ώστε να στηρίζουν τον κορμό στο έδαφος. Αφαιρέστε τα μικρά κλαδιά με μια ενέργεια κοπής. Τα τεντωμένα κλαδιά πρέπει να κόβονται από το κάτω μέρος του κλαδιού προς το επάνω μέρος για να αποτραπεί ή εμπλοκή του αλυσοπρίονου. Περικόψτε τα κλαδιά από την αντίθετη πλευρά, κρατώντας το στέλεχος του δέντρου ανάμεσα σε εσάς και το πριόνι. Ποτέ μην εκτελείτε κοπή με το πριόνι ανάμεσα στα πόδια σας και μην τεντώνετε το κλαδί που πρόκειται να κόψετε.

Αντιμετώπιση προβλημάτων

Πρόβλημα	Πιθανή αιτία	Πιθανή λύση
Το εργαλείο δεν ενεργοποιείται	Το κουμπί ασφάλισης δεν είναι πατημένο.	Πατήστε το κουμπί ασφάλισης.
	Πρόσθιος προφυλακτήρας στη θέση φρένου	Επαναρυθμίστε τον πρόσθιο προφυλακτήρα
	Καμμένη ασφάλεια	Αντικαταστήστε την ασφάλεια
	Διακοπή λειτουργίας της διάταξης RCD	Ελέγξτε τη διάταξη RCD
Η αλυσίδα δεν ακινητοποιείται εντός 2 δευτερολέπτων, όταν απενεργοποιείται το εργαλείο	Το καλώδιο ρεύματος δεν είναι συνδεδεμένο	Ελέγξτε την παροχή ρεύματος από το ηλεκτρικό δίκτυο
	Η αλυσίδα είναι πολύ χαλαρή	Ελέγξτε την τάνυση της αλυσίδας

Πρόβλημα	Πιθανή αιτία	Πιθανή λύση
Η μπάρα/αλυσίδα φαίνονται θερμές/καπνίζουν	Άδεια δεξαμενή λαδιού	Ελέγξτε τη στάθμη στη δεξαμενή λαδιού
	Αποφραγμένη οπή λαδιού στη ράβδο της αλυσίδας	Καθαρίστε τις οπές λαδιού (21 - εικ. Ε) και καθαρίστε το αυλάκι γύρω από το άκρο της ράβδου αλυσίδας.
	Η αλυσίδα είναι πολύ τεντωμένη	Ελέγξτε την τάνυση της αλυσίδας
Το αλυσοπρίονο δεν κόβει καλά	Ο οδοντωτός τροχός της μπάρας οδηγού χρειάζεται λίπανση	Λιπάνετε τον οδοντωτό τροχό της μπάρας οδηγού
	Αλυσίδα τοποθετημένη ανάποδα	Ελέγξτε/τροποποιήστε την κατεύθυνση της αλυσίδας Ακονίστε
Το αλυσοπρίονο δεν καταναλώνει λάδι	Άχρηστα υλικά στη δεξαμενή	Αδειάστε το λάδι από τη δεξαμενή και αντικαταστήστε
	Οπή λαδιού στο πώμα αποφραγμένη	Αφαιρέστε τα άχρηστα υλικά από την οπή
	Άχρηστα υλικά στη ράβδο της αλυσίδας	Αφαιρέστε τα άχρηστα υλικά και καθαρίστε τη ράβδο της αλυσίδας
	Άχρηστα υλικά στην έξοδο λαδιού	Αφαιρέστε τα άχρηστα υλικά

Συντήρηση

Η τακτική συντήρηση εξασφαλίζει μεγάλη διάρκεια ζωής του εργαλείου. Συνιστάται να πραγματοποιείτε τους ακόλουθους ελέγχους σε τακτική βάση.

Προειδοποίηση!

Πριν πραγματοποιήσετε οποιοδήποτε συντήρηση σε ηλεκτρικά εργαλεία:

- ◆ Θέστε εκτός λειτουργίας και αποσυνδέστε το εργαλείο από την πρίζα.

Στάθμη λαδιού

Η στάθμη στο δοχείο δεν πρέπει να πέφτει κάτω από το ένα τέταρτο γεμάτο.

Αλυσίδα και μπάρα οδηγού (εικ. F)

- ◆ Μετά από κάθε λίγες ώρες χρήσης και πριν από τη φύλαξη, αφαιρέστε την μπάρα οδηγού (4) και την αλυσίδα (5) και καθαρίστε τα επιμελώς.
- ◆ Βεβαιωθείτε ότι ο προφυλακτήρας είναι καθαρός και δεν έχει κατάλοιπα.

- ♦ Όταν το συναρμολογείτε πάλι, περιστρέψτε την μπάρα οδηγού (4) κατά 180°, αφαιρέστε τον τροχό τάνσης της αλυσίδας με ένα καταβίδι και συνδέστε ξανά στην αντίθετη πλευρά της μπάρας οδηγού.

Προειδοποίηση! Μην τεντώνετε υπερβολικά.

- ♦ Λαδώστε την άκρη της οδόντωσης μέσω της οπής λίπανσης της οδόντωσης (19). Έτσι εξασφαλίζεται η ομοιόμορφη κατανομή της φθοράς γύρω από τις ράγες της μπάρας οδηγού.

Ακόνισμα της αλυσίδας του πριονιού

Για την καλύτερη δυνατόν απόδοση του εργαλείου, είναι σημαντικό να κρατάτε τα δόντια της αλυσίδας ακονισμένα. Οι οδηγίες για αυτήν τη διαδικασία βρίσκονται στο πακέτο του ακονιστή. Για το σκοπό αυτό συνιστάται να αγοράσετε το σετ ακονίσματος αλυσίδας πριονιού BLACK+DECKER (διατίθεται στα εξουσιοδοτημένα κέντρα επισκευών BLACK+DECKER και σε επιλεγμένους αντιπροσώπους).

Αντικατάσταση των φθαρμένων αλυσίδων

Τα εξουσιοδοτημένα κέντρα επισκευών BLACK+DECKER διαθέτουν ανταλλακτικές αλυσίδες. Να χρησιμοποιείτε πάντα γνήσια ανταλλακτικά.

Ικανότητα κοπής της αλυσίδας πριονιού

Οι κόφτες της αλυσίδας θα στομώσουν αμέσως εάν έρθουν σε επαφή με το έδαφος ή ένα καρφί κατά τη διάρκεια της κοπής.

Τάνυση της αλυσίδας πριονιού

Να ελέγχετε τακτικά την τάνυση της αλυσίδας.

Αν το αλυσοπριονό χρειάζεται επισκευή.

Το αλυσοπριονό σας κατασκευάστηκε σύμφωνα με τις σχετικές προδιαγραφές ασφαλείας. Οι επισκευές θα πρέπει να γίνονται μόνο από ειδικευμένους τεχνικούς και με τη χρήση αποκλειστικά γνήσιων ανταλλακτικών, διαφορετικά υπάρχει το ενδεχόμενο σοβαρού κινδύνου για το χρήστη. Συνιστάται να φυλάσσετε αυτό το εγχειρίδιο χρήσης σε ασφαλές μέρος.

Αντικατάσταση του φιν (Η.Β. & Ιρλανδία μόνο)

Εάν χρειαστεί να εγκαταστήσετε έναν καινούριο ρευματολήπτη (φιν):

- ♦ Απορρίψτε με ασφαλή τρόπο το παλιό φιν.
- ♦ Συνδέστε τον καφέ αγωγό στον ηλεκτροφόρο ακροδέκτη του νέου ρευματολήπτη.
- ♦ Συνδέστε τον μπλε αγωγό στον ουδέτερο ακροδέκτη.

Προειδοποίηση! Δεν χρειάζεται καμία σύνδεση στον ακροδέκτη γείωσης. Ακολουθήστε τις οδηγίες τοποθέτησης που παρέχονται με τους καλής ποιότητας ρευματολήπτες (φιν). Προτεινόμενη ασφάλεια τήξης: 13 A.

Προστασία του περιβάλλοντος



Ξεχωριστή περισυλλογή. Αυτό το προϊόν δεν πρέπει να απορρίπτεται μαζί με τα κοινά οικιακά απορρίμματα.

Εάν κάποια μέρα διαπιστώσετε ότι το προϊόν σας BLACK+DECKER χρειάζεται αντικατάσταση ή ότι δεν το χρειάζεστε άλλο, μην το απορρίψετε μαζί με τα κοινά οικιακά απορρίμματα, αλλά διαθέστε αυτό το προϊόν για ξεχωριστή περισυλλογή.



Η ξεχωριστή περισυλλογή των μεταχειρισμένων προϊόντων και των υλικών μεταφοράς επιτρέπει την ανακύκλωση και επαναχρησιμοποίηση των υλικών. Με την επαναχρησιμοποίηση των ανακυκλωμένων υλικών αποτρέπεται η μόλυνση του περιβάλλοντος και μειώνεται η ζήτηση πρώτων υλών.

Οι κανονισμοί που ισχύουν στην περιοχή σας ενδέχεται να προβλέπουν την ξεχωριστή περισυλλογή των ηλεκτρικών συσκευών που προέρχονται από νοικοκυριά σε δημοτικές εγκαταστάσεις ή από τον έμπορο όταν αγοράσετε ένα καινούργιο προϊόν.

Η BLACK+DECKER δίνει τη δυνατότητα ανακύκλωσης των προϊόντων της BLACK+DECKER που έχουν συμπληρώσει τη διάρκεια ζωής τους. Για να χρησιμοποιήσετε αυτήν την υπηρεσία, επιστρέψτε το προϊόν σας σε οποιοδήποτε εξουσιοδοτημένο κέντρο επισκευών, όπου θα το παραλάβουν εκ μέρους μας.

Ενημερωθείτε για το πλησιέστερο εξουσιοδοτημένο κέντρο επισκευών της περιοχής σας, επικοινωνώντας με τα γραφεία της BLACK+DECKER στη διεύθυνση που αναγράφεται στο εγχειρίδιο. Επίσης, μια λίστα με τα εξουσιοδοτημένα κέντρα επισκευών BLACK+DECKER και πλήρεις λεπτομέρειες για τις υπηρεσίες που παρέχονται μετά την πώληση, καθώς και στοιχεία επικοινωνίας υπάρχουν στο διαδίκτυο, στη διεύθυνση: www.2helpU.com

Τεχνικά χαρακτηριστικά

		CS2040 (Τύπος 1)	CS2245 (Τύπος 1)
Τάση	V_{ac}	230V	230V
Ισχύς εισόδου	W	2.000 W	2.200 W
μήκος	mm	400	450
Ταχύτητα αλυσίδας (χωρίς φορτίο)	m/s	12.5 m/s	12.5 m/s
Μέγιστο μήκος κοπής	mm	397	436
Χωρητικότητα δοχείου λαδιού	ml	200 ml	150 ml
Βάρος	kg	5.5	5.66
Κατηγορία ασφαλείας		II	II

Στάθμη ηχητικής πίεσης σύμφωνα με το πρότυπο EN 60745:

L_{pA} (ηχητική πίεση) 85.7/95dB(A), αβεβαιότητα (K) 3/2.5 dB(A)

L_{WA} (ηχητική ισχύς) 102.1/106 dB(A), αβεβαιότητα (K) 3/2.5dB(A)

Συνολικές τιμές δόνησης (διανυσματικό άθροισμα τριών αξόνων) κατά

EN 60745:

Τιμή εκπομπής δόνησης (a_{Hv}) 4.5/5.5 m/s^2 , αβεβαιότητα (K) 1.5 m/s^2

Δήλωση συμμόρφωσης

ΕΚ ΟΔΗΓΙΑ ΠΕΡΙ ΜΗΧΑΝΗΜΑΤΩΝ ΓΙΑ
ΟΔΗΓΙΑ ΘΟΥΡΥΒΟΥΣ ΣΕ ΕΞΩΤΕΡΙΚΟΥΣ
ΧΩΡΟΥΣ



CS2040/CS2245

Η Black & Decker δηλώνει ότι αυτά τα προϊόντα που περιγράφονται στα "τεχνικά χαρακτηριστικά" συμμορφώνονται με:

2006/42/EK, EN 60745-1, EN 60745-2-13 2006/42/EK, Αλυσσπρίονο, Παράρτημα IV

TÜV Rheinland LGA Products GmbH;
Tillystraße 2 D - 90431 N^omberg, Germany;

Αρ. ID Διακοινωμένου Οργανισμού:

Στάθμη ηχητικής ισχύος σύμφωνα με 2000/14/EK (Άρθρο 13, Παράρτημα III): 0197

L_{WA} (μετρούμενη ηχητική ισχύς) 102.1/106 dB(A)
Αβεβαιότητα (K) 3/2.5 dB(A)

L_{WA} (εγγυημένη ηχητική ισχύς) 109/110 dB(A) Αυτά τα προϊόντα συμμορφώνονται επίσης με την οδηγία 2014/30/EE & 2011/65/EE.

Για περισσότερες πληροφορίες, παρακαλείστε να επικοινωνήσετε με την Black & Decker στην παρακάτω διεύθυνση ή να ανατρέξετε στο πίσω μέρος του χειριδίου. Ο κάτωθι υπογεγραμμένος είναι υπεύθυνος για την κατάρτιση του τεχνικού φακέλου και δηλώνει τα παρόντα εκ μέρους της Black & Decker.

R. Laverick

Υπεύθυνος Σχεδιασμού

Black & Decker Europe, 210 Bath Road, Slough,

Berkshire, SL1 3YD

United Kingdom

10/09/2014

Εγγύηση

Η Black & Decker είναι σίγουρη για την ποιότητα των προϊόντων της και παρέχει εξαιρετική εγγύηση. Η παρούσα γραπτή εγγύηση αποτελεί πρόσθετο δικαίωμά σας και δεν ζημιώνει τα νόμιμα δικαιώματά σας. Η εγγύηση ισχύει εντός της επικράτειας των Κρατών Μελών της Ευρωπαϊκής Ένωσης και της Ευρωπαϊκής Ζώνης Ελευθέρων Συναλλαγών.

Σε περίπτωση που κάποιο προϊόν της Black & Decker παρουσιάσει βλάβη εξαιτίας ελαττωματικών υλικών, ποιότητας εργασίας ή έλλειψης συμφωνίας με τις προδιαγραφές εντός 24 μηνών από την ημερομηνία αγοράς, η Black & Decker εγγυάται την αντικατάσταση των ελαττωματικών τμημάτων, την επισκευή προϊόντων που έχουν υποστεί εύλογη φθορά λόγω χρήσης ή την αντικατάσταση των προϊόντων προκειμένου να εξασφαλίσει την ελάχιστη ενόχληση στους πελάτες της, εκτός εάν:

- ◆ Το προϊόν έχει χρησιμοποιηθεί σε εργασιακό, επαγγελματικό περιβάλλον ή έχει εννοικιαστεί.
 - ◆ Έχει γίνει εσφαλμένη χρήση του προϊόντος ή έχει παραμεληθεί.
 - ◆ Το προϊόν έχει υποστεί βλάβη από άλλα αντικείμενα, από ουσίες ή λόγω ατυχήματος.
 - ◆ Έχει γίνει προσπάθεια επισκευής από μη εξουσιοδοτημένα κέντρα επισκευών ή από τεχνικούς που δεν ανήκουν στο προσωπικό της Black & Decker. Για να ισχύσει η εγγύηση, πρέπει να υποβάλετε απόδειξη αγοράς στον πωλητή ή το εξουσιοδοτημένο κέντρο επισκευών.
- Ενημερωθείτε για το πλησιέστερο εξουσιοδοτημένο κέντρο επισκευών της περιοχής σας, επικοινωνώντας με τα γραφεία της Black & Decker στη διεύθυνση που αναγράφεται στο εγχειρίδιο. Επίσης, μια λίστα με τα εξουσιοδοτημένα κέντρα επισκευών της Black & Decker και πλήρεις λεπτομέρειες για τις υπηρεσίες που παρέχονται μετά την πώληση, καθώς και στοιχεία επικοινωνίας υπάρχουν στο Διαδίκτυο, στη διεύθυνση: www.2helpU.com

Επισκεφθείτε την ιστοσελίδα μας www.blackanddecker.gr για να καταχωρίσετε το νέο σας προϊόν BLACK+DECKER και για να ενημερώνεστε για τα νέα προϊόντα και τις ειδικές προσφορές. Περισσότερες πληροφορίες σχετικά με τη μάρκα BLACK+DECKER και τη σειρά των προϊόντων μας θα βρείτε στη διεύθυνση www.blackanddecker.gr

België/Belgique/Luxembourg www.blackanddecker.be enduser.be@sbdinc.com	Stanley Black & Decker Belgium BVBA Egide Walschaertsstraat 16 2800 Mechelen	Tel. NL +32 15 47 37 65 Tel. FR +32 15 47 37 66 Fax. +32 15 47 37 99
Danmark	Black & Decker Roskildevej 22 2620 Albertslund	kundeservice.dk@sbdinc.com www.blackanddecker.dk
Deutschland www.blackanddecker.de infobfge@sdbinc.com	Stanley Black & Decker Deutschland GmbH Black & Decker Str. 40, D - 65510 Idstein	Tel. 06126 21-0 Fax 06126 21-2980
Ελλάδα www.blackanddecker.gr greece.service@sbdinc.com	Stanley Black & Decker (ΕΛΛΑΣ) Ε.Π.Ε ΓΡΑΦΕΙΑ: Σπύριδωνος 7 & Βουλιαγμένης 166 74 Γλυφάδα - Αθήνα	Τηλ. 210-8981616 Φαξ 210-8983570
SERVICE:	Ημερος Τόπος 2 -Χάνι Αδάμ 193 00 Ασπρόπυργος - Αθήνα	Τηλ. Service 210-8985208 Φαξ 210-5597598
España www.blackanddecker.es respuesta.posventa@sbdinc.com	Stanley Black & Decker Ibérica, S.C.A. Parc de Negocis "Mas Blau" Edificio Muntadas, c/Bergadá, 1, Of. A6 08820 El Prat de Llobregat (Barcelona)	Tel. 934 797 400 Fax 934 797 419
France www.blackanddecker.fr	Black & Decker (France) S.A.S. 5 allée des Hêtres B.P. 30084 69579 Limonest Cédex	Tel. 04 72 20 39 20 Fax 04 72 20 39 00
Helvetia www.blackanddecker.ch service@rofoag.ch	ROFO AG Gewerbezone Seeblick 3213 Kleinbösingen	Tel. 026-6749393 Fax 026-6749394
Italia www.blackanddecker.it service.italia@sbdinc.com	Stanley Black & Decker Italia Via Energypark 6 20871 Vimercate (MB)	Tel. 039-9590200 Fax 039-9590313 Numero verde 800-213935
Nederland www.blackanddecker.nl enduser.nl@sbdinc.com	Stanley Black & Decker Netherlands BV Holtum Noordweg 35, 6121 RE BORN Postbus 83, 6120 AB BORN	Tel. +31 164 283 065 Fax +31 164 283 200
Norge	Black & Decker Postboks 4613, Nydalen 0405 Oslo	kundeservice.no@sbdinc.com www.blackanddecker.no
Österreich www.blackanddecker.at service.austria@sbdinc.com	Stanley Black & Decker Austria GmbH Oberlaaerstraße 248, A-1230 Wien	Tel. 01 66116-0 Fax 01 66116-614
Portugal www.blackanddecker.pt resposta.posvenda@sbdinc.com	Black & Decker Limited SARL Quinta da Fonte - Edifício Q55 D. Diniz Rua dos Malhães, 2 e 2A - Piso 2 Esquerdo 2770 - 071 Paço de Arcos	Tel. 214667500 Fax 214667580
Suomi	Black & Decker PL47 00521, Helsinki	asiakaspalvelu.fi@sbdinc.com www.blackanddecker.fi
Sverige	Black & Decker AB Box 94, 431 22 Mölndal	kundservice.se@sbdinc.com www.blackanddecker.se
Türkiye www.blackanddecker.com.tr	KALE Hırdavat ve Makina A.Ş. Deftardar Mah. Savaklar Cad. No:15 Edimekapı / Eyüp / İstanbul 34050	Tel. 0212 533 52 55 Fax. 0212 533 10 05
United Kingdom & Republic Of Ireland www.blackanddecker.co.uk emeaservice@sbdinc.com	Black & Decker 210 Bath Road Slough, Berkshire SL1 3YD	Tel. 01753 511234 Fax 01753 512365
Middle East & Africa www.blackanddecker.ae service.mea@sbdinc.com	Black & Decker P.O.Box - 17164 Jebel Ali Free Zone (South), Dubai, UAE	Tel. +971 4 8863030 Fax +971 4 8863333