



EN

RU

UA

TR

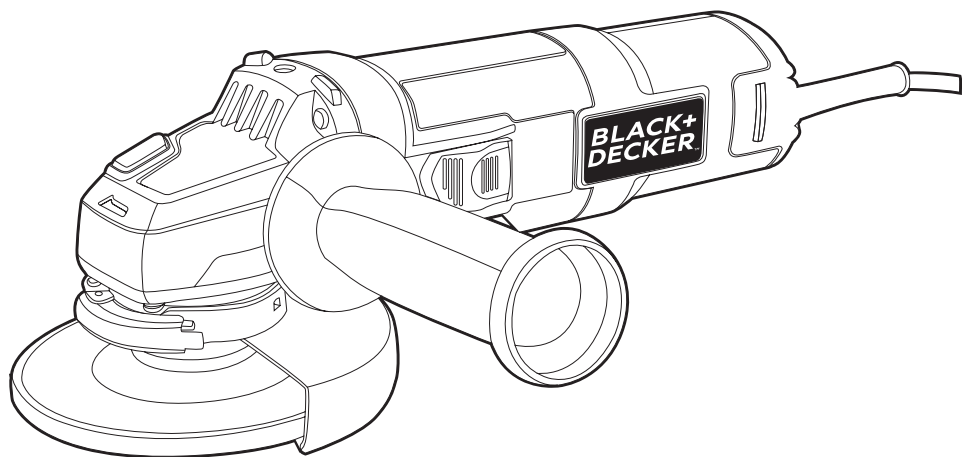


FIG. A

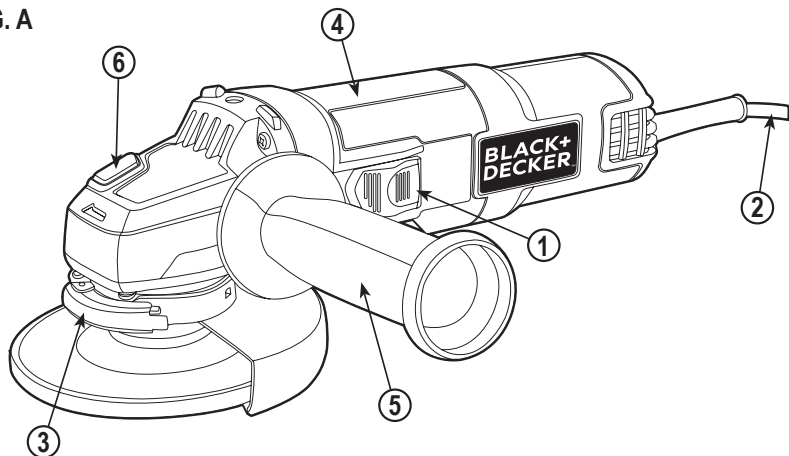


FIG. B

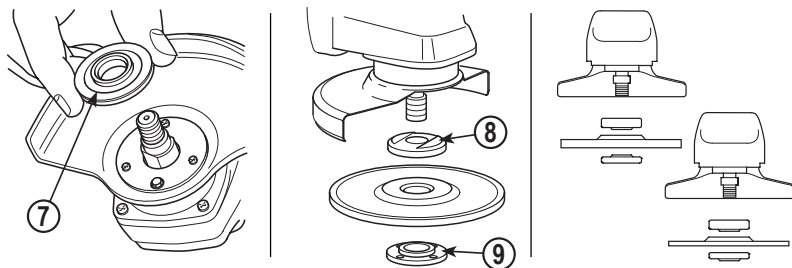


FIG. C

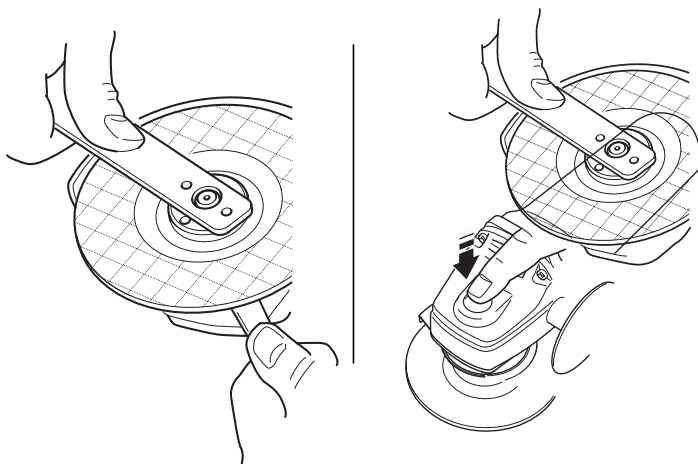


FIG. D

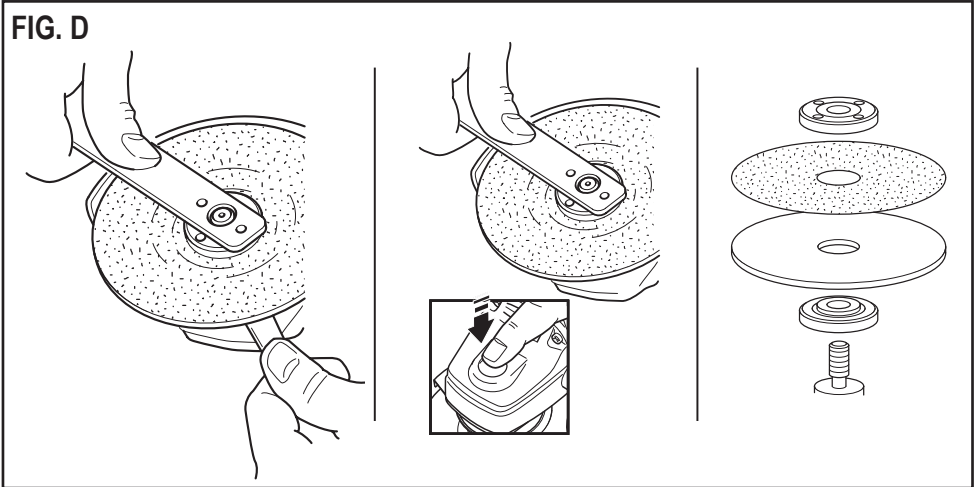
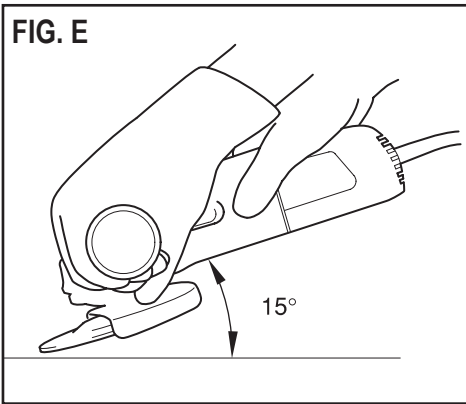


FIG. E



Intended use

Your BLACK+DECKER™ G850 angle grinder has been designed for cutting metal and masonry using the appropriate type of cutting or grinding disc. This tool is intended for consumer use only.

Safety instructions

General power tool safety warnings



Warning! Read all safety warnings and all instructions.

Failure to follow the warnings and instructions listed below may result in electric shock, fire and/or serious injury.

Save all warnings and instructions for future reference.

The term “power tool” in all of the warnings listed below refers to your mains operated (corded) power tool or battery operated (cordless) power tool.

1. Work area safety

- a. **Keep work area clean and well lit.**
Cluttered or dark areas invite accidents.
- b. **Do not operate power tools in explosive atmospheres, such as in the presence of flammable liquids, gases or dust.** Power tools create sparks which may ignite the dust or fumes.
- c. **Keep children and bystanders away while operating a power tool.**
Distractions can cause you to lose control.

2. Electrical safety

- a. **Power tool plugs must match the outlet. Never modify the plug in any way. Do not use any adapter plugs with earthed (grounded) power tools.** Unmodified plugs and matching outlets will reduce risk of electric shock.
- b. **Avoid body contact with earthed or grounded surfaces such as pipes, radiators, ranges and refrigerators.**
There is an increased risk of electric shock if your body is earthed or grounded.

- c. **Do not expose power tools to rain or wet conditions.** Water entering a power tool will increase the risk of electric shock.
- d. **Do not abuse the cord. Never use the cord for carrying, pulling or unplugging the power tool. Keep cord away from heat, oil, sharp edges or moving parts.**
Damaged or entangled cords increase the risk of electric shock.
- e. **When operating a power tool outdoors, use an extension cord suitable for outdoor use.** Use of a cord suitable for outdoor use reduces the risk of electric shock.
- f. **If operating a power tool in a damp location is unavoidable, use a residual current device (RCD) protected supply.**
Use of an RCD reduces the risk of electric shock.

3. Personal safety

- a. **Stay alert, watch what you are doing and use common sense when operating a power tool. Do not use a power tool while you are tired or under the influence of drugs, alcohol or medication.** A moment of inattention while operating power tools may result in serious personal injury.
- b. **Use personal protective equipment. Always wear eye protection.** Protective equipment such as dust mask, non-skid safety shoes, hard hat, or hearing protection used for appropriate conditions will reduce personal injuries.
- c. **Prevent unintentional starting. Ensure the switch is in the off-position before connecting to power source and/or battery pack, picking up or carrying the tool.** Carrying power tools with your finger on the switch or energising power tools that have the switch on invites accidents.
- d. **Remove any adjusting key or wrench before turning the power tool on.** A wrench or a key left attached to a rotating part of the power tool may result in personal injury.

- e. **Do not overreach. Keep proper footing and balance at all times.** This enables better control of the power tool in unexpected situations.
- f. **Dress properly. Do not wear loose clothing or jewellery. Keep your hair, clothing and gloves away from moving parts.** Loose clothes, jewellery or long hair can be caught in moving parts.
- g. **If devices are provided for the connection of dust extraction and collection facilities, ensure these are connected and properly used.** Use of dust collection can reduce dust-related hazards.

4. Power tool use and care

- a. **Do not force the power tool. Use the correct power tool for your application.** The correct power tool will do the job better and safer at the rate for which it was designed.
- b. **Do not use the power tool if the switch does not turn it on and off.** Any power tool that cannot be controlled with the switch is dangerous and must be repaired.
- c. **Disconnect the plug from the power source and/or the battery pack from the power tool before making any adjustments, changing accessories, or storing power tools.** Such preventive safety measures reduce the risk of starting the power tool accidentally.
- d. **Store idle power tools out of the reach of children and do not allow persons unfamiliar with the power tool or these instructions to operate the power tool.** Power tools are dangerous in the hands of untrained users.
- e. **Maintain power tools. Check for misalignment or binding of moving parts, breakage of parts and any other condition that may affect the power tools operation. If damaged, have the power tool repaired before use.** Many accidents are caused by poorly maintained power tools.
- f. **Keep cutting tools sharp and clean.** Properly maintained cutting tools with

sharp cutting edges are less likely to bind and are easier to control.

- g. **Use the power tool, accessories and tool bits etc., in accordance with these instructions, taking into account the working conditions and the work to be performed.** Use of the power tool for operations different from those intended could result in a hazardous situation.

5. Service

- a. **Have your power tool serviced by a qualified repair person using only identical replacement parts.** This will ensure that the safety of the power tool is maintained.

Additional power tool safety warnings



Warning! Additional safety warnings for grinding, sanding, wire brushing, polishing or abrasive cutting-off operations

- **This power tool is intended to function as a grinder, sander, wire brush, polisher or cut-off tool. Read all safety warnings, instructions, illustrations and specifications provided with this power tool.** Failure to follow all instructions listed below may result in electric shock, fire and/or serious injury.
- **Operations for which the power tool was not designed may create a hazard and cause personal injury.**
- **Do not use accessories which are not specifically designed and recommended by the tool manufacturer.** Just because the accessory can be attached to your power tool, it does not assure safe operation.
- **The rated speed of the accessory must be at least equal to the maximum speed marked on the power tool.** Accessories running faster than their rated speed can break and fly apart.
- **The outside diameter and the thickness of your accessory must be within the capacity rating of your power tool.** Incorrectly sized accessories cannot be adequately guarded or controlled.

- **The arbour size of wheels, flanges, backing pads or any other accessory must properly fit the spindle of the power tool.** Accessories with arbour holes that do not match the mounting hardware of the power tool will run out of balance, vibrate excessively and may **cause loss of control.**
 - **Do not use a damaged accessory. Before each use inspect the accessory such as abrasive wheels for chips and cracks, backing pad for cracks, tear or excess wear, wire brush for loose or cracked wires. If power tool or accessory is dropped, inspect for damage or install an undamaged accessory. After inspecting and installing an accessory and run the power tool at maximum no-load speed for one minute.** Damaged accessories will normally break apart during this test time.
 - **Wear personal protective equipment. Depending on application, use face shield, safety goggles or safety glasses. As appropriate, wear dust mask, hearing protectors, gloves and workshop apron capable of stopping small abrasive or workpiece fragments.** The eye protection must be capable of stopping flying debris generated by various operations. The dust mask or respirator must be capable of filtering particles generated by your operation. Prolonged exposure to high intensity noise may cause hearing loss.
 - **Keep bystanders a safe distance away from work area. Anyone entering the work area must wear personal protective equipment.** Fragments of workpiece or of a broken accessory may fly away and cause injury beyond immediate area of operation.
 - **Hold power tool by insulated gripping surfaces only, when performing an operation where the cutting accessory may contact hidden wiring or its own cord.** Cutting accessory contacting a "live" wire may make exposed metal parts of the power tool "live" and shock the operator.
 - **Position the cord clear of the spinning accessory.** If you lose control, the cord may be cut or snagged and your hand or arm may be pulled into the spinning accessory.
 - **Never lay the power tool down until the accessory has come to a complete stop.** The spinning accessory may grab the surface and pull the power tool out of your control.
 - **Do not run the power tool while carrying it at your side.** Accidental contact with the spinning accessory could snag your clothing, pulling the accessory into your body.
 - **Regularly clean the power tool's air vents.** The motor's fan will draw the dust inside the housing and excessive accumulation of powdered metal may cause electrical hazards.
 - **Do not operate the power tool near flammable materials.** Sparks could ignite these materials.
 - **Do not use accessories that require liquid coolants.** Using water or other liquid coolants may result in electrocution or shock.
- Note:** The above warning does not apply for power tools specifically designed for use with a liquid system.

Kickback and related warnings

Kickback is a sudden reaction to a pinched or snagged rotating wheel, backing pad, brush or any other accessory. Pinching or snagging causes rapid stalling of the rotating accessory which in turn causes the uncontrolled power tool to be forced in the direction opposite of the accessory's rotation at the point of the binding.

For example, if an abrasive wheel is snagged or pinched by the workpiece, the edge of the wheel that is entering into the pinch point can dig into the surface of the material causing the wheel to climb out or kick out. The wheel may either jump toward or away from the operator, depending on direction of the wheel's movement at the point of pinching. Abrasive wheels may also break under these conditions.

Kickback is the result of power tool misuse and/or incorrect operating procedures or conditions and can be avoided by taking proper precautions as given below.

- **Maintain a firm grip on the power tool and position your body and arm to allow you to resist kickback forces. Always use auxiliary handle, if provided, for maximum control over kickback or torque reaction during start-up.** The operator can control torque reactions or kickback forces, if proper precautions are taken.
- **Never place your hand near the rotating accessory.** Accessory may kickback over your hand.
- **Do not position your body in the area where power tool will move if kickback occurs.** Kickback will propel the tool in direction opposite to the wheel's movement at the point of snagging.
- **Use special care when working corners, sharp edges etc. Avoid bouncing and snagging the accessory.** Corners, sharp edges or bouncing have a tendency to snag the rotating accessory and cause loss of control or kickback.
- **Do not attach a saw chain woodcarving blade or toothed saw blade.** Such blades create frequent kickback and loss of control.

Safety warnings specific for grinding and abrasive cutting-off operations

- **Use only wheel types that are recommended for your power tool and the specific guard designed for the selected wheel.** Wheels for which the power tool was not designed cannot be adequately guarded and are unsafe.
- **The grinding surface of centre depressed wheels must be mounted below the plane of the guard lip.** An improperly mounted wheel that projects through the plane of the guard lip cannot be adequately protected.
- **The guard must be securely attached to the power tool and positioned for**

maximum safety, so the least amount of wheel is exposed towards the operator.

The guard helps to protect operator from broken wheel fragments and accidental contact with wheel.

- **Wheels must be used only for recommended applications. For example: do not grind with the side of cut-off wheel.** Abrasive cut-off wheels are intended for peripheral grinding, side forces applied to these wheels may cause them to shatter.
- **Always use undamaged wheel flanges that are of correct size and shape for your selected wheel.** Proper wheel flanges support the wheel thus reducing the possibility of wheel breakage. Flanges for cut-off wheels may be different from grinding wheel flanges.
- **Do not use worn down wheels from larger power tools.** Wheel intended for larger power tool is not suitable for the higher speed of a smaller tool and may burst.

Additional safety warnings specific for abrasive cutting-off operations

- **Do not "jam" the cut-off wheel or apply excessive pressure. Do not attempt to make an excessive depth of cut.** Over stressing the wheel increases the loading and susceptibility to twisting or binding of the wheel in the cut and the possibility of kickback or wheel breakage.
- **Do not position your body in line with and behind the rotating wheel. When the wheel, at the point of operation, is moving away from your body, the possible kickback may propel the spinning wheel and the power tool directly at you.**
- **When wheel is binding or when interrupting a cut for any reason, switch off the power tool and hold the power tool motionless until the wheel comes to a complete stop. Never attempt to remove the cut-off wheel from the cut while the wheel is in motion otherwise kickback may occur.** Investigate and take corrective action to eliminate the cause of wheel binding.

- **Do not restart the cutting operation in the workpiece. Let the wheel reach full speed and carefully re-enter the cut.** The wheel may bind, walk up or kickback if the power tool is restarted in the workpiece
- **Support panels or any oversized workpiece to minimize the risk of wheel pinching and kickback.** Large workpieces tend to sag under their own weight. Supports must be placed under the workpiece near the line of cut and near the edge of the workpiece on both sides of the wheel..
- **Use extra caution when making a "pocket cut" into existing walls or other blind areas.** The protruding wheel may cut gas or water pipes, electrical wiring or objects that can cause kickback.

Safety warnings specific for sanding operations

- **Do not use excessively oversized sanding disc paper. Follow manufacturers recommendations, when selecting sanding paper.** Larger sanding paper extending beyond the sanding pad presents a laceration hazard and may cause snagging, tearing of the disc or kickback.

Safety warnings specific for polishing operations

- **Do not allow any loose portion of the polishing bonnet or its attachment strings to spin freely. Tuck away or trim any loose attachment strings.** Loose and spinning attachment strings can entangle your fingers or snag on the workpiece.

Safety of others

- This appliance is not intended for use by persons (including children) with reduced physical, sensory or mental capabilities, or lack of experience and knowledge, unless they have been given supervision or instruction concerning use of the appliance by a person responsible for their safety.
- Children should be supervised to ensure that they do not play with the appliance.

Residual risks.

Additional residual risks may arise when using the tool which may not be included in the enclosed safety warnings. These risks can arise from misuse, prolonged use etc.

Even with the application of the relevant safety regulations and the implementation of safety devices, certain residual risks can not be avoided. These include:

- **Injuries caused by touching any rotating/ moving parts.**
- **Injuries caused when changing any parts, blades or accessories.**
- **Injuries caused by prolonged use of a tool. When using any tool for prolonged periods ensure you take regular breaks.**
- **Impairment of hearing.**
- **Health hazards caused by breathing dust developed when using your tool (example:- working with wood, especially oak, beech and MDF.)**

Vibration

The declared vibration emission values stated in the technical data and the declaration of conformity have been measured in accordance with a standard test method provided by EN 60745 and may be used for comparing one tool with another. The declared vibration emission value may also be used in a preliminary assessment of exposure.

Warning! The vibration emission value during actual use of the power tool can differ from the declared value depending on the ways in which the tool is used. The vibration level may increase above the level stated.

When assessing vibration exposure to determine safety measures required by 2002/44/EC to protect persons regularly using power tools in employment, an estimation of vibration exposure should consider, the actual conditions of use and the way the tool is used, including taking account of all parts of the operating cycle such as the times when the tool is switched off and when it is running idle in addition to the trigger time.

Labels on tool

The following pictograms are shown on the tool:



Warning! To reduce the risk of injury, the user must read the instruction manual.



Wear safety glasses or goggles when operating this tool.



Wear ear protection when operating this tool.

Electrical safety



This tool is double insulated; therefore no earth wire is required. Always check that the power supply corresponds to the voltage on the rating plate.

- If the supply cord is damaged, it must be replaced by the manufacturer or an authorised BLACK+DECKER Service Centre in order to avoid a hazard.

Features (Fig. A)

1. Slider switch
2. Cable
3. Tool free guard
4. Body grip
5. Side handle (2 positions)
6. Spindle lock button

Operation

Operating your angle grinder (Fig. A)

To switch on, push the slider switch forward (1). To switch off, press the rear of the slider switch.

Fitting the discs (Fig. B and C)

Proceed as follows:

- Disconnect the plug from the electricity supply.
- Ensure the guard is fitted. Place the inner flange (7) on the spindle. Ensure it is

located on the two flats.

- Place the abrasive disc on the spindle and inner flange (8). Ensure it is correctly located.
- Fit the threaded outer flange (9), making sure it is facing in the correct direction for the type of disc fitted. For grinding discs, the flange (9) is fitted with the raised portion facing towards the disc. For cutting discs, the flange (9) is fitted with the inner portion facing away from the disc.
- Hold the spanner on the flats of the spindle to prevent rotation of the disc and tighten the outer flange with the spanner provided.
- Press in the spindle lock button and rotate the spindle until it locks (Fig. C). Keeping the lock button pressed in, tighten the outer flange with the spanner provided.

Fitting sanding discs (fig. D)

- Use a sanding disc with the backing pad for sanding with your angle grinder.
- Disconnect the plug from the electricity supply.
- Remove the guard.
- Place the flange on the spindle. Place the backing pad on the spindle and inner flange, ensuring it is correctly located.
- Mount the fibre backed abrasive disc on the backing pad.
- Fit the threaded outer flange and tighten as explained in 'Fitting the discs'.

Handy hints (Fig. E)

Hold your angle grinder firmly with one hand around the side handle and the other around the body of your angle grinder.

- Always position the guard so that as much of the exposed disc as possible is pointing away from you.
- Be prepared for a stream of sparks when the disc touches the metal.

When grinding, always maintain the correct angle between the disc and the work surface (15°)(Fig. D). This increases the removal capacity of the disc and avoids unnecessary overloading.

Overload

Overloading will cause damage to the motor of your angle grinder. This can happen if your angle grinder is subjected to heavy duty use for prolonged periods of use. Do not in any circumstances, attempt to exert too much pressure on your angle grinder to speed up your work. The abrasive discs operate more efficiently when a light pressure is exerted, thus avoiding a drop in the speed of your angle grinder.

Maintenance

Keep guards, air vents and the motor housing as clear as possible of dust and dirt. Wipe with a clean cloth and blow through with a low-pressure air supply. Excessive build-up of metal dust can cause tracking of electrical current from the internal parts to exposed metal parts. Do not overload your angle grinder. Overloading causes a reduction in speed and efficiency, causing your angle grinder to become too hot. If this happens, operate your angle grinder under no load for one or two minutes until it has cooled to normal operating temperature. Switching your angle grinder off under load will reduce the life of the switch.

Protecting the environment



Separate collection. This product must not be disposed of with normal household waste.

Should you find one day that your BLACK+DECKER product needs replacement, or if it is of no further use to you, do not dispose of it with household waste. Make this product available for separate collection.



Separate collection of used products and packaging allows materials to be recycled and used again. Reuse of recycled materials helps prevent environmental pollution and reduces the demand for raw materials.

Local regulations may provide for separate collection of electrical products from the household, at municipal waste sites or by the retailer when you purchase a new product.

BLACK+DECKER provides a facility for the collection and recycling of BLACK+DECKER products once they have reached the end of their working life. To take advantage of this service please return your product to any authorised repair agent who will collect them on our behalf.

You can check the location of your nearest authorised repair agent by contacting your local BLACK+DECKER office at the address indicated in this manual. Alternatively, a list of authorised BLACK+DECKER repair agents and full details of our after-sales service and contacts are available on the Internet at: www.2helpU.com.

Cleaning

Use only mild soap and a slightly damp cloth to clean your angle grinder. Many household cleaners contain chemicals which could seriously damage the plastic. Also, do not use petrol, turpentine, lacquer or paint thinners or similar products. Never let any liquid get inside the tool and never immerse any part of the tool into liquid.

Important! To assure product **SAFETY** and **RELIABILITY**, repairs, maintenance and adjustment (other than those listed in this manual) should be performed by authorized service centers or other qualified service personnel, always using identical replacement parts.

TECHNICAL DATA

		G850
Power	W	850
Voltage	V	220-240
Frequency	Hz	50/60
Disc diameter	mm	125
No load speed	min ⁻¹	12000 (RPM)
Spindle size		M14
Cable length	m	2

Guarantee

BLACK+DECKER is confident of the quality of its products and offers an outstanding guarantee. This guarantee statement is in addition to and in no way prejudices your statutory rights.

If a BLACK+DECKER product becomes defective due to faulty materials, workmanship or lack of conformity, within 24 months from the date of purchase, BLACK+DECKER guarantees to replace defective parts, repair products subjected to fair wear and tear or replace such products to make sure of the minimum inconvenience to the customer unless:

- The product has been used for trade, professional or hire purposes.
- The product has been subjected to misuse or neglect.
- The product has sustained damage through foreign objects, substances or accidents.
- Repairs have been attempted by persons other than authorised repair agents or BLACK+DECKER service staff.

To claim on the guarantee, you will need to submit proof of purchase to the seller or an authorised repair agent. You can check the location of your nearest authorised repair agent by contacting your local BLACK+DECKER office at the address indicated in this manual. Alternatively, a list of authorised BLACK+DECKER repair agents and full details of our aftersales service and contacts are available on the Internet at: www.2helpU.com

Назначение

Эти угловые шлифовальные машины производства BLACK+DECKER™ G850 были разработаны для шлифования, резки металла и камня.

Перед тем как вернуть это изделие,

сначала свяжитесь с региональным представительством BLACK+DECKER или в ближайший авторизованный сервисный центр.

Общие правила техники безопасности



Внимание! Внимательно изучите все указания по технике безопасности. Несоблюдение указаний по безопасной работе может привести к поражению электрическим током, пожару и/или

серьезным травмам персонала.

Сохраните эти инструкции

Указания по технике безопасности

Общие указания по безопасной работе с электрическим инструментом.

Внимание! Внимательно прочитайте все предупреждающие надписи и указания по безопасной работе. Несоблюдение предупреждающих надписей и указаний по безопасной работе может привести к поражению электрическим током, пожару и/или серьезным травмам персонала.

Храните все предупреждающие надписи и указания по безопасной работе для использования в будущем.

Термин «электрический инструмент», используемый во всех предупреждающих надписях и указаниях по технике безопасности, представленных ниже, относится к электрическому инструменту, работающему от сети (со шнуром электропитания) или от аккумуляторной батареи (без шнура питания).

1. Указания по безопасности на рабочем месте

- a. **Рабочее место должно содержаться в чистоте и должно быть оборудовано надлежащим освещением.** Беспорядок или плохое освещение на рабочем месте может привести к несчастному случаю.
- b. **Запрещается использование электрического инструмента во взрывоопасной среде, например, в условиях наличия легковоспламеняющихся жидкостей, газов или пыли.** Искры, возникающие при работе электрического инструмента, могут воспламенить пыль, пары и газы.
- c. **Запрещается нахождение детей и посторонних**

лиц вблизи работающего электрического инструмента. Отвлекающие факторы могут привести к потере контроля за работой инструмента.

2. Электрическая безопасность

- a. **Вилка шнура электрического инструмента должна соответствовать сетевой розетке. Запрещается вносить какие-либо изменения в вилку электрического шнура. Запрещается использование каких-либо штепсельных переходников при работе заземленного электрического инструмента.** Отсутствие изменений в вилках электрических шнуров и соответствие электрических вилок и розеток снижает риск поражения электрическим током.
- b. **Не допускайте контакта тела с заземленными поверхностями таких объектов, как трубы, радиаторы, электроплиты и холодильники.** Если ваше тело заземлено, риск его поражения электрическим током повышается.
- c. **Электрические инструменты не должны подвергаться воздействию дождя и находится в условиях повышенной влажности.** При попадании влаги внутрь электрического инструмента повышается риск поражения электрическим током.
- d. **Запрещается использовать электрический шнур не по назначению. Никогда не берите, не тяните и не вынимайте электрический инструмент за шнур. Электрический шнур не должен находиться вблизи источников тепла, масла, острых краев и движущихся деталей.** Поврежденные и закрученные электрические шнуры повышают риск поражения электрическим током.
- e. **При работе электрического инструмента на открытом воздухе используйте соответствующий удлиннитель.** Использование удлинителя, предназначенного для работы на открытом воздухе, снижает риск поражения электрическим током.
- f. **Если работы с помощью электрического инструмента внутри влажного помещения должны быть выполнены обязательно, в таком случае необходимо использовать устройство защитного отключения (УЗО) электрической сети.** Использование УЗО снижает риск поражения электрическим током. **Примечание:** Термин «устройство защитного отключения (УЗО)» может быть заменен термином «выключатель короткого замыкания на землю (ВКЗЗ)» или термином «автоматический выключатель утечки на землю (АВУЗ)».

3. Безопасность персонала

- a. При работе с электрическим инструментом необходимо быть осмотрительным, видеть выполняемую работу и руководствоваться здравым смыслом. Запрещается работать с электрическим инструментом в состоянии усталости и под воздействием наркотиков, алкоголя и лекарственных препаратов. Ослабление внимания даже на мгновение может привести к серьезной травме.
- b. Используйте средства индивидуальной защиты. Всегда надевайте средства защиты глаз. Используемые в соответствующих условиях средства индивидуальной защиты, такие как пылезащитная маска, нескользящая защитная обувь, защитная каска или средства защиты органов слуха, всегда снижают риск травмирования.
- c. Не допускайте непреднамеренного включения инструмента. Перед тем, так подключить источник питания или аккумулятор, поднимая или неся инструмент, проверьте, чтобы его выключатель находился в выключенном положении. Переноска инструмента пальцем, расположенном на его выключателе, или включенного инструмента повышает риск несчастного случая.
- d. Перед включением инструмента всегда снимайте с него регулировочный и гаечный ключ. Оставленный на вращающейся детали инструмент ключ может привести к травмированию.
- e. Не прикладывайте к инструменту чрезмерное усилие во время работы. Всегда прочно держитесь на ногах и сохраняйте равновесие во время работы. Это позволяет лучше контролировать электрический инструмент в непредвиденных ситуациях.
- f. Надевайте соответствующую одежду. Запрещается надевать свободную одежду и украшения. Волосы, одежда и перчатки должны находиться на расстоянии от движущихся деталей инструмента. Свободная одежда, украшения или длинные волосы могут быть захвачены движущимися деталями.
- g. Если установлены устройства подключения средств пылеулавливания и пылесборников, необходимо проверять, чтобы они были подключены и использовались надлежащим образом. Использование средств пылеулавливания снижает уровень риска, связанного с наличием пыли в воздухе.
4. Использование и уход за электрическим

инструментом

- a. Не прикладывайте чрезмерное усилие к электрическому инструменту. Используйте электрический инструмент, соответствующий выполняемой задаче. При использовании надлежащего инструмента вы выполните работу лучше, с меньшим риском и со скоростью, на которую рассчитан ваш инструмент.
- b. Запрещается использовать инструмент, если его выключатель не включается и не выключается. Любой электрический инструмент, работой которого нельзя управлять с помощью его выключателя, представляет собой опасность и подлежит обязательному ремонту.
- c. Перед выполнением регулировки электрического инструмента, заменой его принадлежностей и постановкой на хранение необходимо вынуть вилку его электрического шнура из розетки и/или достать из него аккумулятор. Такая превентивная мера безопасности снижает риск случайного включения инструмента.
- d. Храните электрический инструмент, который в данный момент не используется, в недоступном для детей месте и разрешайте работать с инструментом лицам, которые не знакомы с ним или с этими указаниями. Электрический инструмент является опасным в руках необученного человека.
- e. Поддерживайте инструмент в рабочем состоянии. Проверяйте центровку и соединение движущихся деталей, наличие поврежденных деталей и любые факторы, которые могут отрицательно сказаться на работе электрического инструмента. В случае обнаружения повреждения электрический инструмент необходимо отремонтировать. Много несчастных случаев происходит вследствие того, что инструмент находится в ненадлежащем состоянии.
- f. Режущие инструменты должны быть остро заточенными и чистыми. Поддерживаемый в надлежащем рабочем состоянии режущий инструмент с острыми режущими кромками меньше застревает и легче управляется.
- g. Используйте электрический инструмент, принадлежности, вставные резцы и т.д. в соответствии с данными указаниями, учитывая условия эксплуатации и работу, которая должна быть выполнена. Использование электрического инструмента с целью, отличной от предусмотренного назначения, может привести к опасной ситуации.

5. Обслуживание

- a) **Обслуживать электрический инструмент должен только квалифицированный ремонтный персонал, при этом должны использоваться только оригинальные запасные детали.** Благодаря этому будет поддерживаться безопасное рабочее состояние электрического инструмента.

Дополнительные специальные правила техники безопасности

Указания по безопасному выполнению всех операций

Меры предосторожности, общие для всех операций шлифовки

- a) Это электрический инструмент предназначен для использования в качестве шлифовальной машины. Внимательно изучите все предупреждающие знаки, указания по безопасной работе, графические материалы и технические описания, прилагаемые к данному электрическому инструменту. Несоблюдение указаний по безопасной работе может привести к поражению электрическим током, пожару и/или серьезным травмам персонала.
- b) С помощью этого электрического инструмента не рекомендуется выполнять такие операции, как резка, пескоструйная обработка, обработка проволочной щеткой и полировка. Операции, на которые не рассчитана конструкция этого электрического инструмента, могут привести к возникновению аварийной ситуации и травмам персонала.
- c) Не используйте принадлежности, которые не были разработаны и не рекомендованы производителем инструмента. Если принадлежность можно установить на ваш инструмент, это еще не является гарантией безопасной работы.
- d) Номинальная скорость принадлежности должна быть по меньшей мере равной максимальной скорости, указанной на электрическом инструменте. Принадлежность, работающая со скоростью, превышающей свою номинальную скорость, может разрушиться и разлететься в стороны.
- e) Внешний диаметр и толщина принадлежности должны лежать в пределах характеристик вашего электрического инструмента. Принадлежности неправильного размера не могут быть надежным образом защищены предохранительным щитком, и их работу невозможно нормально контролировать.
- f) **Осевой размер колес, фланцев, подошв дисков и других принадлежностей должен точно совпадать с размером шпинделя электрического инструмента.** Принадлежности с осевыми отверстиями, не совпадающими с элементами крепления электрического инструмента, будут разбалансированными, будут испытывать чрезмерные вибрации и могут стать причиной потери контроля за инструментом.
- g) **Запрещается использовать поврежденные принадлежности.** Перед началом работы всегда проверяйте принадлежность, такую как шлифовальный круг, на наличие сколов и трещин, подошву на наличие трещин, дыр и чрезмерного износа и проволочную щетку на наличие обломанной проволоки. В случае падения электрического инструмента или принадлежности проверьте их на наличие повреждений или замените поврежденную принадлежность. После проверки и установки принадлежности весь персонал должен уйти в сторону от плоскости вращения принадлежности, а затем необходимо включить электрический инструмент на максимальную скорость холостого хода без нагрузки. Поврежденные принадлежности за это время обычно разлетаются.
- h) **Используйте средства индивидуальной защиты. В зависимости от способа использования, используйте лицевой щиток, открытые или закрытые защитные очки. В случае необходимости надевайте пылезащитную маску, средства защиты органов слуха, защитные перчатки и рабочий фартук, способные остановить мелкие абразивные частицы или осколки рабочей детали.** Средство защиты глаз должно останавливать разлетающиеся частицы, которые появляются во время работы. Пылезащитная маска или респиратор должны отфильтровывать частицы, которые появляются во время работы. Продолжительное воздействие шума высокого уровня может привести к ухудшению слуха.
- i) **Другие лица должны находиться на безопасном расстоянии от рабочей зоны. Любые лица, входящие в рабочую зону, должны использовать средства индивидуальной защиты.** Осколки рабочей детали или разрушенной принадлежности могут разлетаться и стать причиной травмирования персонала за пределами непосредственной зоны работы.

ж) Во время выполнения работ, когда режущая деталь электрического инструмента может соприкоснуться со скрытой электропроводкой или со своим шнуром, инструмент необходимо держать только за диэлектрическую поверхность. При контакте режущей детали с проводом, находящимся под напряжением, под напряжение могут попасть металлические детали электрического инструмента, вследствие чего возникает опасность поражения оператора электрическим током.

к) Шнур электропитания должен находиться на максимальном удалении от вращающейся принадлежности. В случае потери контроля шнур может быть перерезан, или с него может быть ободрана изоляция, и ваша рука или ладонь может быть втянута во вращающуюся принадлежность.

л) Запрещается ложить инструмент до тех пор, пока полностью не остановится принадлежность. Вращающаяся принадлежность может захватить часть поверхности, в результате чего инструмент выйдет из-под вашего контроля.

м) Инструмент не должен работать, если вы держите его сбоку. При случайном контакте вращающейся принадлежности может порваться ваша одежда, и принадлежность может быть втянута в тело.

н) Выполняйте регулярную очистку вентиляционных отверстий электрического инструмента. Вентилятор двигателя может втягивать пыль внутрь его корпуса, и чрезмерное скопление металлической пыли может возникнуть опасность поражения электрическим током.

о) Запрещается работа электрического инструмента вблизи легковоспламеняющихся материалов. Такие материалы могут воспламениться от искр.

р) Не используйте принадлежности, которым требуются жидкие охладители. Использование воды или других жидких охладителей может привести к поражению или даже смертельному поражению электрическим током.

Дополнительные указания по безопасному выполнению всех операций

Отдача и связанные с ней указания по безопасной работе

Отдача - это мгновенная реакция на зажатое или застопоренное вращающийся круг, подошву, щетку и другие принадлежности. Зажатие или стопорение

приводит к быстрой остановке вращающейся принадлежности, что, в свою очередь, привод к тому, что неуправляемый электрический инструмент начинает вращаться в направлении, противоположном направлению вращения принадлежности, в точке сцепления.

Например, если шлифовальный круг застопорился или был зажат рабочей деталью, край круга, который заходит в место стопорения, может углубиться в поверхность материала, что приведет к выталкиванию или отдаче круга. В зависимости от направления вращения круга в точке стопорения, круг может прыгнуть в направлении оператора или от него. В таких условиях шлифовальные круги могут также разрушаться.

Отдача является результатом неправильного использования инструмента и/или неправильной последовательности выполнения действий и неправильных условий работы, и может быть устранена при соблюдении мер предосторожности, указанных ниже:

а) Не ослабляйте захват инструмента и установите такое положение корпуса вашего тела, чтобы он оказывал сопротивление силам отдачи. Всегда используйте дополнительную рукоятку, если она входит в комплект, чтобы в максимальной степени контролировать отдачу или реакцию от крутящего момента во время пуска. Оператор может контролировать реакцию от крутящего момента или отдачу, если были предприняты надлежащие меры предосторожности.

б) Ваши руки никогда не должны находиться вблизи вращающейся принадлежности. Принадлежность может отскочить обратно на вашу руку.

с) Не стойте в зоне, куда ваш инструмент может уйти при отдаче. Отдача будет толкать инструмент в направлении, противоположном направлению движения круга в месте стопорения.

д) Будьте особенно внимательными при работе с углами, острыми краями и т.д. Не допускайте прыжков и стопорения принадлежности. Углы, острые края и подпрыгивания приводят к стопорению вращающейся принадлежности и потере контроля или отдаче.

е) Запрещается прикреплять к инструменту нож цепной пилы для дерева или зубчатый пильный диск. Такие ножи быстро часто создают отдачу и потерю управления инструментом.

Специальные указания по безопасному выполнению шлифовки

a) **Используйте только те типы кругов, которые рекомендованы для вашего электрического инструмента, и конкретные предохранительные щитки, разработанные для данного круга.** Для кругов, которые не соответствуют конструкции вашего инструмента, не может быть установлен надлежащий предохранительный щиток, и поэтому использование таких кругов является опасным.

b) **Предохранительный щиток должен быть надежно прикреплен к электрическому инструменту и установлен в положение максимального обеспечения безопасности, при котором к оператору будет обращена наименьшая открытая часть круга.**
Предохранительный щиток помогает защищать оператора от частиц круга, от случайного контакта с кругом и от искр, от которых может загореться одежда.

c) **Круги должны использоваться только в тех случаях, когда они рекомендованы к применению.** Например: нельзя выполнять шлифовку стороной отрезного круга. Абразивные отрезные круги предназначены для шлифования периферией круга и поперечные силы, приложенные к такому кругу, могут привести к разрушению круга.

d) **Всегда используйте только исправные фланцы для кругов, размер и форма которых соответствуют выбранному кругу.** Правильно выбранный фланец является опорой для круга, благодаря чему уменьшается вероятность разрушения круга. Фланцы для отрезных кругов могут отличаться от фланцев для шлифовальных кругов.

e) **Запрещается использовать изношенные круги от электрических инструментов большего размера.** Круг, предназначенный для инструмента большего размера, не подходит для большей скорости инструмента меньшего размера и может разрушиться.

Электрическая безопасность


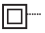




Этот инструмент имеет двойную изоляцию, и поэтому провод заземления ему не нужен. Всегда проверяйте, чтобы сетевое напряжение соответствовало значению, указанному в табличке с паспортными данными.

Внимание! В случае повреждения шнура питания, чтобы избежать несчастных случаев с персоналом и повреждения оборудования, его замену должен

выполнить производитель, авторизованный сервисный центр BLACK+DECKER или другое лицо, обладающее надлежащей квалификацией. Если замену шнура питания выполнило квалифицированное лицо, которое не является уполномоченным лицом BLACK+DECKER, гарантийные обязательства будут аннулированы.

Наклейки на инструменте

Наклейка на вашем инструменте вместе с кодом даты может содержать следующие символы:

	Прочитайте инструкцию по эксплуатации	Гц Герцы		Конструкция Класс II
	Используйте средства защиты глаз	Вт Ватты		Клемма заземления
	Используйте средства защиты органов слуха	мин минуты		Предупреждающий
V Вольты			Предупреждающий
A Амперы		Количество оборотов или возвратно-поступательных движений в минуту
			
		n_0 Скорость холостого хода	

Место положения кода даты

Код даты, который также включает в себя год изготовления, отштампован на поверхности корпуса инструмента.

Пример:

2016 XX JN
Год изготовления

Функции (Рис. А)

1. Подвижный переключатель
2. Кабель
3. Подвижный предохранительный щиток
4. Захват корпуса
5. Боковая рукоятка (2 положения)
6. Кнопка фиксации шпинделя

Работа

Работа с вашей угловой шлифовальной машиной (Рис. А)

Чтобы включить машину, сдвиньте подвижный переключатель вперед (1). Чтобы выключить машину, нажмите на заднюю часть подвижного переключателя.

Установка кругов (Рис. В и С)

Выполните следующее:

- Отсоедините штепсельную вилку от источника электрического питания.
- Проверьте, чтобы был установлен защитный щиток. Установите внутренний фланец (7) на шпindelь. Проверьте, расположен ли он на двух гранях.
- Установите абразивный круг на шпindelь и внутренний фланец (8). Проверьте, установлен ли он правильно.
- Установите внешний фланец с резьбой (9), обращая внимание на то, чтобы его ориентация соответствовала типу установленного круга. Для шлифовальных кругов фланец (9) должен быть установлен выступом к кругу. Для отрезных кругов фланец (9) должен быть установлен внутренней частью от круга.
- Зафиксируйте гаечным ключом грани шпинделя для предотвращения вращения круга и затяните внешний фланец ключом, входящим в комплект машины.
- Нажмите кнопку фиксации шпинделя и поворачивайте шпindelь, пока он не зафиксируется по месту (Рис. С). Удерживая кнопку фиксации нажатой, затяните внешний фланец ключом, входящим в комплект машины.

Установка наждачных кругов (Рис. D)

- Для работы с вашей угловой шлифовальной машиной используйте наждачные круги с подошвой для шлифовки.
- Отсоедините штепсельную вилку от источника электрического питания.
- Снимите защитный щиток.
- Установите фланец на шпindelь. Установите подошву на шпindelь и внутренний фланец, проверяя, чтобы она точно стала по месту.
- Установите шлифовальный круг с волокном на подложку.
- Закрутите внешний фланец с резьбой и затяните его до упора, как указано в п. «Установка кругов».

Советы для удобного обращения (Рис. E)

Держите крепко шлифовальную машину одной рукой за боковую рукоятку и второй рукой за корпус.

- Всегда устанавливайте предохранительный щиток таким образом, чтобы открытая часть круга была направлена максимально от вас.
- Будьте готовы к ливню искр, когда круг будет касаться металла.

При шлифовке всегда выдерживайте надлежащий угол между кругом и рабочей поверхностью (15°) (Рис. D). Благодаря этому увеличивается шлифовальная способность круга и предотвращается необязательная перегрузка.

Перегрузка

Перегрузка приведет к повреждению двигателя вашей угловой шлифовальной машины. Это может произойти в том случае, если ваша угловая шлифовальная машина работала в тяжелом режиме нагрузки на протяжении длительного периода времени. Ни при каких обстоятельствах не пытайтесь прикладывать слишком большое усилие к угловой шлифовальной машине для увеличения скорости ее работы. Абразивные диски работают более эффективно, когда прикладывается небольшое усилие, благодаря чему устраняется падение оборотов вашей угловой шлифовальной машины.

Техническое обслуживание

Предохранительные щитки, вентиляционные отверстия и корпус двигателя должны быть свободными от пыли и грязи. Вытирайте пыль и грязь чистой тканью и выдувайте пыль струей воздуха под низким давлением. Чрезмерное накопление металлической пыли может привести к появлению токопроводящих путей между внутренними деталями инструмента и внешними металлическими деталями. Не перегружайте вашу угловую шлифовальную машину. Перегрузка приведет к снижению скорости и эффективности работы машины, вследствие чего она начнет сильно нагреваться. В таком случае машина должна пару минут поработать без нагрузки, пока ее температура не опустится до нормального рабочего значения. Выключение угловой шлифовальной машины в режиме работы под нагрузкой приведет к сокращению срока службы переключателя.

Защита окружающей среды

Раздельный сбор отходов. Запрещается утилизировать этот продукт вместе с обычными бытовыми отходами.

Если вы решите, что ваше изделие BLACK+DECKER необходимо заменить, или если вы не будете его больше использовать, не утилизируйте его вместе с бытовыми отходами. Этот продукт подлежит раздельному сбору отходов.



Раздельный сбор использованных продуктов и упаковочных материалов позволяет производить их вторичную переработку с дальнейшим повторным использованием. Повторное использование материалов, прошедших вторичную переработку, снижает загрязнение окружающей среды и уменьшает потребность в сырьевых материалах.

Нормативные акты местных органов власти могут предусматривать сбор использованных электрических изделий отдельно от бытовых отходов, в муниципальных пунктах сбора отходов или в магазине при покупке нового изделия.

BLACK+DECKER предоставляет возможность для сбора и повторной переработки продуктов BLACK+DECKER после окончания срока их службы. Чтобы воспользоваться преимуществом этого сервиса, пожалуйста, отправьте ваш продукт любому уполномоченному представителю по ремонту, который собирает такие изделия от нашего имени.

Вы можете узнать адрес нашего ближайшего уполномоченного представителя по ремонту, позвонив в региональное представительство BLACK+DECKER, указанное в этой инструкции. Кроме того, список уполномоченных представителей по ремонту BLACK+DECKER, подробная информация о послепродажном обслуживании и контактные данные можно найти на сайте www.2helpU.com.

Очистка

Для очистки угловой шлифовальной машины пользуйтесь только мягким мыльным раствором и слегка влажной тканью. Многие бытовые чистящие средства содержат химические вещества, которые могут серьезно повредить пластмассовые детали машины. Также не разрешается использовать бензин, терпентин, лак, растворители красок и другие аналогичные продукты. Ни в коем случае не допускайте попадания жидкости внутрь инструмента и не погружайте инструмент какой-либо частью в жидкость. Важно! Чтобы гарантировать БЕЗОПАСНОСТЬ и НАДЕЖНОСТЬ инструмента, ремонт, обслуживание и настройка (кроме тех, которые описаны в данной инструкции) должны производиться в авторизованных сервисных центрах или прочими квалифицированными работниками, всегда с использованием идентичных запчастей.

Технические характеристики

		G850
Мощность	Вт	850
Напряжение	В	220-240
Частота	Гц	50/60
Диаметр диска	мм	125
Скорость холостого хода	мин-1	12000 (ОБ/МИН)
Размер шпинделя		M14
Длина кабеля	м	2



Гарантийные условия

Уважаемый покупатель!

1. Поздравляем Вас с покупкой высококачественного изделия Black+Decker и выражаем признательность за Ваш выбор.
2. При покупке изделия требуйте проверки его комплектности и исправности в Вашем присутствии, инструкцию по эксплуатации и заполненный гарантийный талон на русском языке.

В гарантийном талоне должны быть внесены: модель, дата продажи, серийный номер, дата производства инструмента; название, печать и подпись торговой организации. При отсутствии у Вас правильно заполненного гарантийного талона мы будем вынуждены отклонить Ваши претензии по качеству данного изделия.

3. Во избежание недоразумений убедительно просим Вас перед началом работы с изделием внимательно ознакомиться с инструкцией по его эксплуатации.

Правовой основой настоящих гарантийных условий является действующее Законодательство.

Гарантийный срок на данное изделие составляет 24 месяца и исчисляется со дня продажи. В случае устранения недостатков изделия, гарантийный срок продлевается на период его нахождения в ремонте.

Срок службы изделия - 5 лет со дня продажи.

4. В случае возникновения каких-либо проблем в процессе эксплуатации изделия рекомендуем Вам обращаться только в уполномоченные сервисные центры BLACK+DECKER, адреса и телефоны которых Вы сможете найти в гарантийном талоне, на сайте www.2helpU.com или узнать в магазине. Наши сервисные станции - это не только квалифицированный ремонт, но и широкий ассортимент запчастей и принадлежностей.
5. Производитель рекомендует проводить периодическую проверку и техническое обслуживание изделия в уполномоченных сервисных центрах.

6. Наши гарантийные обязательства распространяются только на неисправности, выявленные в течение гарантийного срока и вызванные дефектами производства и \ или материалов.
7. Гарантийные обязательства не распространяются на неисправности изделия, возникшие в результате:
 - 7.1. Несоблюдения пользователем предписаний инструкции по эксплуатации изделия, применения изделия не по назначению, неправильном хранении, использования принадлежностей, расходных материалов и запчастей, не предусмотренных производителем.
 - 7.2. Механического повреждения (сколы, трещины и разрушения) внутренних и внешних деталей изделия, основных и вспомогательных рукояток, сетевого электрического кабеля, вызванного внешним ударным или любым иным воздействием.
 - 7.3. Попадания в вентиляционные отверстия и проникновение внутрь изделия посторонних предметов, материалов или веществ, не являющихся отходами, сопровождающими применение изделия по назначению, такими как: стружка, опилки, песок, и пр.
 - 7.4. Воздействие на изделие неблагоприятных атмосферных и иных внешних факторов, таких как дождь, снег, повышенная влажность, нагрев, агрессивные среды, несоответствие параметров питающей электросети, указанным на инструменте.
 - 7.5. Стихийного бедствия. Повреждение или утрата изделия, связанное с непредвиденными бедствиями, стихийными явлениями, в том числе вследствие действия непреодолимой силы (пожар, молния, потоп и другие природные явления), а так же вследствие перепадов напряжения в электросети и другими причинами, которые находятся вне контроля производителя.
8. Гарантийные условия не распространяются:
 - 8.1. На инструменты, подвергавшиеся вскрытию, ремонту или модификации вне уполномоченной сервисного центра.
 - 8.2. На детали и узлы, имеющие следы естественного износа, такие как: приводные ремни и колеса, угольные щетки, смазка, подшипники, зубчатое зацепление редукторов, резиновые уплотнения, сальники, направляющие ролики, муфты, выключатели, бойки, толкатели, стволы и т.п.
 - 8.3. на сменные части: патроны, цанги, зажимные гайки и фланцы, фильтры, аккумуляторные батареи, ножи, шлифовальные подошвы, цепи, звездочки, пильные шины, защитные кожухи, пилки, абразивы, пильные и абразивные диски, фрезы, сверла, буры и т.п.
 - 8.4. На неисправности, возникшие в результате перегрузки инструмента (как механической, так и электрической), повлекшей выход из строя одновременно двух и более деталей и узлов, таких как: ротора и статора, обеих обмоток статора, ведомой и ведущей шестерни редуктора и других узлов и деталей. К безусловным признакам перегрузки изделия относятся, помимо прочих: появление цветов побежалости, деформация или оплавление деталей и узлов изделия, потемнение или обугливание изоляции проводов электродвигателя под воздействием высокой температуры.

Изготовитель

Блэк энд Деккер Холдингс ГмбХ
Германия, 65510, Идштайн,
ул. Блэк энд Деккер, 40



Приложение к руководству по эксплуатации электроинструмента
Пилы дисковые

Модели: SGM146*, SGV115*, KS8215*, G650*, FME821*, FME822*, G850*, KG751*, SGV1* - Сделано в Китае.

Где символ "*" - различные варианты исполнения изделия.

Сертификат №: RU C-DE.AЯ46.B.78174

Действителен до: 12 января 2019 г.

Выдан: Орган по сертификации "РОСТЕСТ- Москва", Адрес: 119049,г. Москва, улица Житная, д. 14, стр. 1; 117418, Москва, Нахимовский просп., 31 (фактический), Телефон: (499) 1292311, (495) 6682893, Факс: (495) 6682893, E-mail: office@rostest.ru

Изготовитель: Блэк энд Деккер Холдингс ГмБХ

Германия, 65510, Идштайн,

ул. Блэк энд Деккер, 40

Хранение.

Необходимо хранить в сухом месте, вдали от источников повышенных температур и воздействия солнечных лучей. При хранении необходимо избегать резкого перепада температур. Хранение без упаковки не допускается

Срок службы.

Срок службы изделия составляет 5 лет. Не рекомендуется к эксплуатации по истечении 5 лет хранения с даты изготовления без предварительной проверки. Дата изготовления (код даты) указана на корпусе инструмента. Код даты, который также включает год изготовления, отштампован на поверхности корпуса изделия.

Пример:

2014 46 XX, где 2014 –год изготовления, 46-неделя изготовления.

Определить месяц изготовления по указанной неделе изготовления можно согласно приведенной ниже таблице.

Уполномоченное изготовителем юр.лицо:

ООО "Стэнли Блэк энд Деккер", 117485, город Москва, улица Обручева, дом 30/1, строение 2

Телефон: + 7 (495) 258-3981, факс: + 7 (495) 258-3984, E-mail: inbox@dewalt.com

Сведения о импортере указаны в сопроводительной документации и/или на упаковке

Транспортировка.

Категорически не допускается падение и любые механические воздействия на упаковку при транспортировке.

При разгрузке/погрузке не допускается использование любого вида техники, работающей по принципу зажима упаковки.

Перечень критических отказов, возможные ошибочные действия персонала.

Не допускается эксплуатация изделия:

- При появлении дыма из корпуса изделия
- При поврежденном и/или оголенном сетевом кабеле
- при повреждении корпуса изделия, защитного кожуха, рукоятки
- при попадании жидкости в корпус
- при возникновении сильной вибрации
- при возникновении сильного искрения внутри корпуса

Критерии предельных состояний

- При поврежденном и/или оголенном сетевом кабеле
- при повреждении корпуса изделия

Месяц	Январь	Февраль	Март	Апрель	Май	Июнь	Июль	Август	Сентябрь	Октябрь	Ноябрь	Декабрь	Год производства
Неделя	01	05	09	14	18	22	27	31	36	40	44	49	2014
	02	06	10	15	19	23	28	32	37	41	45	50	
	03	07	11	16	20	24	29	33	38	42	46	51	
	04	08	12	17	21	25	30	34	39	43	47	52	
	05	09	13	18	22	26	31	35	40	44	48		
Неделя			14			27							2015
	01	05	09	14	18	23	27	31	36	40	44	49	
	02	06	10	15	19	24	28	32	37	41	45	50	
	03	07	11	16	20	25	29	33	38	42	46	51	
	04	08	12	17	21	26	30	34	39	43	47	52	
Неделя		09	13	18	22	27	31	35	40	44	48	53	2016
			14					36				49	
	01	05	09	13	17	22	26	31	35	39	44	48	
	02	06	10	14	18	23	27	32	36	40	45	49	
	03	07	11	15	19	24	28	33	37	41	46	50	
Неделя	04	08	12	16	20	25	29	34	38	42	47	51	2017
		09	13	17	21	26	30	35	39	43	48	52	
				22					44				
	01	05	09	13	18	22	26	31	35	39	44	48	
	02	06	10	14	19	23	27	32	36	40	45	49	
03	07	11	15	20	24	28	33	37	41	46	50	2017	
04	08	12	16	21	25	29	34	38	42	47	51		
05	09	13	17	22	26	30	35	39	43	48	52		
					31				44				

Призначення

Кутова шліфувальна машина BLACK+DECKER™ G850 була розроблена для різання металу і цегляного мурування за допомогою відрізного та шліфувального кола відповідного типу. Цей інструмент призначений виключно для використання споживачем.

Вказівки з техніки безпеки

Загальні вказівки щодо безпечної роботи з електричним інструментом



Увага! Уважно прочитайте всі попереджувальні написи та вказівки щодо безпечної роботи. Порушення наведених нижче попереджувальних написів і вказівок може призвести до

ураження електричним струмом, пожежі та/або серйозних травм.

Збережіть усі застереження та вказівки з техніки безпеки для подальшого використання.

Термін «електричний інструмент», що використовується у всіх застережливих написах та вказівках щодо техніки безпеки, представлених нижче, відноситься до електричного інструменту, що працює від мережі (зі шнуром електроживлення) або від акумуляторної батареї (без шнура живлення).

1. Вказівки з техніки безпеки на робочому місці

- a. **Утримуйте робоче місце в чистоті і добре освітленим.** Безлад або погане освітлення на робочому місці можуть призвести до нещасного випадку.
- b. **Не працюйте з електроінструментом в місці зберігання вибухонебезпечних матеріалів, наприклад, у присутності легкозаймистих рідин, газів або пилу.** Електричні інструменти створюють іскри, що можуть запалити пил або пари.
- c. **Забороняється перебування дітей та сторонніх осіб поблизу працюючого електричного інструменту.** Відволікання може призвести до втрати контролю за роботою інструмента.

2. Електрична безпека

- a. **Вилка шнура живлення інструмента повинна відповідати мережевій розетці.** Забороняється вносити будь-які зміни у вилку шнура живлення. **Не використовуйте жодних вилок-перехідників із заземленими (зануленими) електроінструментами.** Відсутність змін у вилках шнурів живлення та відповідність електричних вилок і розеток знижує ризик ураження електричним струмом.
- b. **Не торкайтеся поверхонь заземлених чи занулених предметів, наприклад труб,**

радіаторів, електроплит або холодильників. Заземлення чи занулення тіла підвищує ризик ураження електричним струмом.

- c. **Забороняється піддавати електричні інструменти впливу дощу чи підвищеної вологості.** При попаданні вологи всередину електричного інструмента підвищується ризик ураження електричним струмом.
 - d. **Обережно поведіться зі шнуром живлення. У жодному разі не використовуйте шнур живлення для перенесення чи зміни положення інструмента; не тягніть за шнур, виймаючи вилку з розетки. Не прокладайте шнур живлення поруч із гарячими предметами, мастилом, гострими краями і рухомими деталями.** Пошкодження й заплутування шнурів живлення підвищує ризик ураження електричним струмом.
 - e. **Під час роботи з електричним інструментом за межами приміщень використовуйте відповідний подовжувач.** Використання подовжувача, призначеного для роботи поза приміщеннями, знижує ризик ураження електричним струмом.
 - f. **Якщо електричним інструментом необхідно користуватись у вологому місці, слід використовувати пристрій захисного відключення (ПЗВ) електричної мережі.** Використання ПЗВ знижує ризик ураження електричним струмом.
- #### 3. Безпека персоналу
- a. **Під час роботи з електричним інструментом необхідно бути обачним, слідкувати за виконуваною роботою та керуватися здоровим глуздом.** Забороняється працювати з електричним інструментом у стані втоми чи під впливом наркотиків, алкоголю й лікарських препаратів. Ослаблення уваги навіть на мить може призвести до серйозної травми.
 - b. **Використовуйте засоби індивідуального захисту. Завжди користуйтеся засобами захисту очей.** Використання у відповідних умовах засобів індивідуального захисту, наприклад пилозахисної маски, протиковзного захисного взуття, захисної каски або засобів захисту органів слуху, завжди знижує ризик отримання травми.
 - c. **Не допускайте ненавмисного вмикання інструмента.** Перш ніж підключити джерело живлення та/або акумулятор, піднімаючи або несучи інструмент, перевірте, щоб його вимикач знаходився у вимкненому положенні. Якщо тримати палець на вимикачі під час перенесення інструмента чи підключення увімкненого інструмента до мережі, це підвищує ризик нещасного випадку.

- d. **Перш ніж увімкнути електричний інструмент, обов'язково вийміть із нього регульований чи гайковий ключ.** Ключ, залишений на обертальній деталі інструмента, може призвести до травмирування.
- e. **Не намагайтеся дотягнутися до важкодоступних місць. Завжди міцно тримайтеся на ногах і зберігайте рівновагу під час роботи.** Це дозволяє краще контролювати електричний інструмент у непередбачуваних ситуаціях.
- f. **Одягайте відповідний одяг. Забороняється одягати вільний одяг або прикраси. Волосся, одяг та рукавиці повинні знаходитися на максимальній відстані від рухомих деталей інструмента.** Вільний одяг, прикраси або довге волосся можуть бути захоплені рухомими деталями.
- g. **Якщо встановлені пристрої підключення засобів пиловловлювання та пилозбірників, необхідно перевіряти, щоб вони були підключені та використовувалися належним чином.** Використання цих пристроїв знижує рівень ризику, пов'язаного з пилом.
4. **Використання та догляд за електричним інструментом**
- a. **Не застосовуйте надмірне зусилля до електричного інструмента. Використовуйте електричний інструмент тільки за призначенням.** Правильно підібраний електроінструмент дозволить виконати роботу краще і безпечніше при швидкості, на яку він розрахований.
- b. **Забороняється використовувати цей електричний інструмент, якщо не вдається ввімкнути чи вимкнути його вимикачем.** Будь-який електричний інструмент, роботою якого неможливо керувати за допомогою вимикача, є небезпечним, і його обов'язково потрібно відремонтувати.
- c. **Перш ніж регулювати електричний інструмент, замінювати на ньому приладдя чи класти на зберігання, необхідно витягти вилку живлення з розетки та/або зняти з нього акумулятор.** Такий превентивний захід безпеки знижує ризик випадкового увімкнення інструмента.
- d. **Зберігайте електричний інструмент, який в даний момент не використовується, в недоступному для дітей місці та не дозволяйте працювати з інструментом особам, які не знайомі з ним або з цими вказівками.** Електричний інструмент є небезпечним в руках ненавченої людини.
- e. **Підтримуйте інструмент в робочому стані. Перевіряйте центрування та з'єднання рухомих деталей, наявність пошкоджених деталей та будь-які фактори, які можуть негативно позначитися на роботі електричного інструмента.** У разі виявлення пошкодження електричний інструмент необхідно відремонтувати перед використанням. Багато нещасних випадків трапляється через неналежне технічне обслуговування електричних інструментів.
- f. **Ріжучі інструменти мають бути загостреними й чистими.** Підтримуваний у належному робочому стані ріжучий інструмент з гострими лезами менше застряє, ним легше керувати.
- g. **Використовуйте електричний інструмент, приладдя, вставні різці тощо відповідно до даних вказівок, враховуючи умови експлуатації та роботу, яка повинна бути виконана.** Використання електричного інструмента всупереч призначенню може призвести до виникнення небезпечної ситуації.
5. **Обслуговування**
- a. **Обслуговувати електричний інструмент повинен тільки кваліфікований ремонтний персонал, і при цьому повинні використовуватися тільки оригінальні запасні деталі.** Це забезпечить утримання електричного інструмента у безпечному стані.

Додаткові спеціальні правила техніки безпеки



Увага! Додаткові вказівки з безпечного виконання шліфування, очищення наждачним папером, полірування і абразивного різання

- **Цей електричний інструмент призначений для використання в якості шліфувальної машини. Уважно вивчіть всі попереджувальні знаки, вказівки щодо безпечної роботи, графічні матеріали та технічні описи, що додаються до даного електричного інструменту.** Недотримання вказівок щодо безпечної роботи може призвести до ураження електричним струмом, пожежі та/або серйозних травм персоналу.
- **Операції, на які не розрахована конструкція цього електричного інструменту, можуть призвести до виникнення аварійної ситуації та травм персоналу.**
- **Не використовуйте приладдя, що не були розроблені та не рекомендовані виробником інструменту.** Якщо приладдя можна встановити на ваш інструмент, це ще не є гарантією безпечної роботи.

- **Номінальна швидкість приладдя повинна щонайменше дорівнювати максимальній швидкості, зазначеній на електричному інструменті.** Приладдя, що працює зі швидкістю, яка перевищує свою номінальну швидкість, може зруйнуватися та розлетітися в сторони.
- **Зовнішній діаметр та товщина приладдя повинні лежати в межах характеристик вашого електричного інструменту.** Приладдя неправильного розміру не можуть бути належним чином захищені запобіжним щитком, і їх роботу неможливо нормально контролювати.
- **Осьовий розмір коліс, фланців, підшов дисків та іншого приладдя повинен точно збігатися з розміром шпинделя електричного інструменту.** Приладдя з осьовими отворами, що не збігаються з елементами кріплення електричного інструмента, будуть розбалансованими, будуть відчувати надмірні вібрації та можуть стати причиною втрати контролю за інструментом.
- **Забороняється використовувати пошкоджене приладдя. Перед початком роботи завжди перевіряйте приладдя, таке як шліфувальні кола, на наявність сколів та тріщин, підшов на наявність тріщин, дір та надмірного зносу, і дротяну щітку на наявність обламаної дроту. У випадку падіння електричного інструменту та приладдя перевірте їх на наявність пошкоджень або замініть пошкоджене приладдя. Після перевірки та установки приладдя весь персонал повинен відійти у бік від площини обертання приладдя, після чого необхідно ввімкнути електричний інструмент на максимальну швидкість холостого ходу без навантаження.** Пошкоджене приладдя за цей час зазвичай розлітається.
- **Використовуйте засоби індивідуального захисту. Залежно від способу використання, використовуйте лицьовий щиток, відкриті або закриті захисні окуляри. У разі необхідності надайте пилозахисну маску, засоби захисту органів слуху, захисні рукавички та робочий фартух, що здатні зупинити дрібні абразивні частки або осколки робочої деталі. Засіб захисту очей повинен зупиняти частинки, що розлітаються, які з'являються під час роботи. Пилозахисна маска або респіратор повинні відфільтровувати частинки, які з'являються під час роботи. Тривалий вплив сильного шуму може призвести до погіршення слуху.**
- **Інші особи повинні перебувати на безпечній відстані від робочої зони. Будь-які особи, які входять до робочої зони, повинні використовувати засоби індивідуального захисту.** Осколки робочої деталі або зруйнованого приладдя можуть розлітатися і стати причиною травмування персоналу за межами безпосередньої зони роботи.
- **Під час виконання робіт, коли ріжуча деталь електричного інструменту може стикатися з прихованою електропроводкою або зі своїм шнуром, інструмент необхідно тримати тільки за діелектричну поверхню.** При контакті ріжучої деталі з проводом, що під напругою, під напругу можуть потрапити металеві деталі електричного інструменту, внаслідок чого виникає небезпека ураження оператора електричним струмом.
- **Шнур електроживлення повинен знаходитися на максимальному віддаленні від робочого приладдя.** У разі втрати контролю шнур може бути обрізаний, або з нього може бути обідрана ізоляція, та ваша рука або долоня може бути втягнута у обертове приладдя.
- **Забороняється класти інструмент до тих пір, поки повністю не зупиниться приладдя.** Обертове приладдя може захопити частину поверхні, в результаті чого інструмент виїде з-під вашого контролю.
- **При роботі з інструментом не тримайте його збоку.** При випадковому контакті обертового приладдя може порватися ваш одяг, і приладдя може бути втягнуте в тіло.
- **Регулярно очищуйте вентиляційні отвори електричного інструменту.** Вентилятор двигуна може втягувати пил всередину його корпусу, і через надмірне скупчення металевого пилю може виникнути небезпека ураження електричним струмом.
- **Не використовуйте електроінструмент поблизу легкозаймистих матеріалів.** Такі матеріали можуть займатися від іскор.
- **Не використовуйте приладдя, що потребує рідких охолоджувачів.** Використання води та інших рідких охолоджувачів може призвести до ураження електричним струмом або навіть смерті.

Примітка: Наведена вище інформація не відноситься до електричних інструментів, спеціально сконструйованих для роботи в рідинній системі.

Віддача та пов'язані з нею вказівки щодо безпечної роботи

Віддача — це миттєва реакція на затиснуте або застопорене обертове коло, підшову, щітку та інше приладдя. Затискання або стопоріння призводить до швидкої зупинки обертового приладдя, що, у свою чергу, призводить до того, що некерований електричний інструмент починає обертатися в напрямку, протилежному напрямку обертання приладдя, в точці зчеплення.

Наприклад, якщо шліфувальне коло застопорилося або було затиснуте робочою деталлю, край кола, який заходить в місце стопоріння, може поглибитися в поверхню матеріалу, що призведе до виштовхування або віддачі кола. Залежно від напрямку обертання кола в точці стопоріння, коло може стрибнути в напрямку оператора або від нього. У таких умовах шліфувальні кола можуть також руйнуватися.

Віддача є результатом неправильного використання інструменту та/або неправильної послідовності виконання дій та неправильних умов роботи, і може бути усунена при дотриманні заходів безпеки, зазначених нижче:

- **Не послаблюйте захоплення інструменту та встановіть такі положення корпусу вашого тіла, щоб він чинив опір силам віддачі. Завжди використовуйте додаткову рукоятку, якщо вона входить в комплект, щоб у максимальному ступені контролювати віддачу або реакцію від крутного моменту під час пуску.** Оператор може контролювати реакцію від крутного моменту або віддачу, якщо були зроблені належні запобіжні заходи.
- **Ваші руки в жодному разі не мають знаходитися поблизу обертового приладдя.** Приладдя може відскочити назад на вашу руку.
- **Не ставайте в зоні, куди ваш інструмент може піти при віддачі.** Віддача буде штовхати інструмент в напрямку, протилежному напрямку руху кола у місці стопоріння.
- **Будьте особливо уважними при роботі з кутами, гострими краями і т.п. Не допускайте стрибків та стопоріння приладдя.** Кути, гострі краї та підстрибування призводять до стопоріння обертового приладдя і втрати контролю або віддачі.
- **Забароняється прикріплювати до інструменту ніж ланцюгової пили для дерева або зубчастий пильний диск.** Такі полотна швидко часто створюють віддачу та призводять до втрати контролю над інструментом.

Спеціальні вказівки з безпечного виконання шліфування і абразивного різання

- **Використовуйте тільки ті типи кіл, які рекомендовані для вашого електричного інструменту, і конкретні запобіжні щітки, розроблені для даного кола.** Для кіл, які не відповідають конструкції вашого інструмента, не може бути встановлений належний запобіжний щиток, і тому використання таких кіл є небезпечним.
- **Шліфувальна поверхня кіл з втопленим центром повинна встановлюватися нижче площини запобіжного виступу.** Неправильно встановлене коло, що виступає за площину запобіжного виступу, не може бути належним чином обгороджене.
- **Запобіжний щиток має бути надійно прикріплений до електричного інструменту та встановлений в положення максимального забезпечення безпеки, при якому до оператора буде звернена найменша відкрита частина кола.** Запобіжний щиток допомагає захищати оператора від часток кола, які розлітаються, і від випадкового контакту з колом.
- **Кола повинні використовуватися тільки в тих випадках, коли вони рекомендовані до застосування.** Наприклад: не можна виконувати шліфування стороною відрізного кола. Абразивні відрізнні кола призначені для шліфування периферії кола, і поперечні сили, прикладені до такого кола, можуть призвести до його руйнування.
- **Завжди використовуйте тільки справні фланці для кіл, розмір та форма яких відповідають обраному колу.** Правильно вибраний фланець є опорою для кола, завдяки чому зменшується ймовірність руйнування кола. Фланці для відрізних кіл можуть відрізнитися від фланців для шліфувальних кіл.
- **Забароняється використовувати зношені кола від електричних інструментів більшого розміру.** Коло, призначене для інструменту більшого розміру, не підходить для більшої швидкості інструменту меншого розміру та може зруйнуватися.

Додаткові спеціальні вказівки з безпечного виконання абразивного різання

- **Запобігайте заклинюванню відрізного кола і не прикладайте до нього надмірного зусилля. Не намагайтесь зробити проріз надлишкової глибини.** При перевантаженні кола підвищується його сприйнятність скручування і заклинювання під час різання і, як наслідок, збільшується ризик віддачі та руйнування кола.

- **Тіло шліфувальника не повинне знаходитись на одній лінії з колом, яке обертається, і за ним.** Якщо коло в точці контакту з оброблюваною деталлю рухається від тіла шліфувальника, імовірна віддача може штовхнути коло, що обертається, та електроінструмент прямо на тіло шліфувальника.
- **Якщо коло заклинило, або з якоїсь причини припинилось різання, вимкніть живлення електричного інструмента і тримайте його нерухомо доти, поки коло не зупиниться повністю. Ніколи не намагайтесь вийняти відрізне коло, що обертається, з розрізаною заглиблення, оскільки може статись віддача.** Вивчіть ситуацію і відповідно скоригуйте свою роботу, щоб усунути причини заклинювання кола.
- **Забороняється повторно починати операцію різання, якщо коло знаходиться в оброблюваній деталі. Дозвольте колу набрати повну швидкість обертання і потім обережно введіть його в розрізане заглиблення.** Якщо увімкнути інструмент, коли коло знаходиться всередині оброблюваної деталі, коло може заклинити, він може піти догори або дати віддачу
- **Установіть панелі та великогабаритні робочі деталі на основу, щоб звести до мінімуму ризик стопоріння і віддачі.** Великі робочі деталі мають властивість прогинатися під дією власної ваги. Основа повинна підкладатись під деталь поблизу лінії зрізу і поблизу краю робочої деталі з обох сторін кола.
- **Будьте дуже уважні під час виконання різання в «кишенях» стін і на інших ділянках, які недосяжні для огляду.** Коло, що виступає, може перерізати труби газопроводу і водогону, електричну проводку або може наштовхнутись на об'єкт, який відповість віддачею.

Вказівки з техніки безпеки при проведенні операцій шліфування наждаковим папером

- **Забороняється використовувати наждаковий диск занадто великого розміру. При виборі наждакового паперу дотримуйтесь рекомендацій виробника.** Якщо наждаковий папір занадто далеко виступає за межі шліфувальної подушки, з'являється ризик його розриву, обдирання та стирання кола і віддачі.

Спеціальні вказівки щодо безпечного виконання полірування

- **Не дозволяйте відокремленим ділянкам полірувальної насадки або шнура для кріплення вільно обертатися. Сховайте або відріжте вільний край шнура для кріплення.**

Вільно звисаючий шнурок для кріплення може чіплятися за пальці чи оброблювану деталь.

Безпека інших осіб

- Цей інструмент не призначений для використання особами (включаючи дітей) з обмеженими фізичними, сенсорними або розумовими здібностями або особами, у яких відсутній необхідні досвід і знання, крім випадків, коли вони знаходяться під наглядом і отримали належні вказівки по роботі з інструментом від особи, відповідальної за їхню безпеку.
- Щоб діти не гралися з інструментом, вони повинні знаходитися під наглядом.

Залишкові ризики.

Додатковий залишковий ризик може виникнути у випадках використання інструменту, які можуть бути не враховані в перерахованих вказівках щодо безпечної роботи. Який ризик може виникати при неправильному використанні, тривалому використанні та ін.

Навіть при дотриманні всіх відповідних правил техніки безпеки та використанні захисних пристроїв деякий залишковий ризик все ж залишається. Він включає:

- **Травми, отримані при контакті з обертовими і рухомими деталями.**
- **Травми, отримані при заміні деталей, ножів та приладдя.**
- **Травми, отримані внаслідок тривалого використання інструменту. При тривалому використанні інструменту необхідно робити регулярні перерви в роботі.**
- **Погіршення слуху.**
- **Шкода для здоров'я, викликана вдиханням пилу, яка з'являється під час роботи інструменту (наприклад, при роботі з деревом, особливо з дубом, буком або ДВП).**

Вібрація

Рівні вібрації, зазначені в технічних даних та декларації відповідності, були виміряні у відповідності зі стандартним методом випробувань, викладеним в EN 60745, і можуть використовуватися для порівняння інструментів. Заявлений рівень вібрації може також використовуватися для попередньої оцінки їх впливу.

Увага! Рівень вібрації під час роботи електричного інструмента може відрізнитися від заявленого рівня вібрації, оскільки він залежить від конкретно виконуваної інструментом роботи. Рівень вібрації може бути нижче встановленого рівня.

Оцінку впливу вібрації для визначення заходів безпеки, необхідних за 2002/44/ЕС для захисту осіб, які постійно працюють з електричними інструментами, слід проводити з урахуванням реальних умов використання і способу використання інструмента, включаючи всі деталі робочого циклу, такі як час автоматичного вимкнення та час неробочого ходу додатково до часу запуску.

Наклейки на інструменті

До поверхні інструменту прикріплені наступні графічні зображення:



Увага! Для зменшення ризику травмування оператор повинен прочитати цю інструкцію з експлуатації.



Для роботи з цим інструментом необхідно надягати захисні окуляри або окуляри з боковим захистом.



Одягайте засоби захисту органів слуху під час роботи з цим інструментом.

Електрична безпека



Цей інструмент має подвійну ізоляцію, тож дріт заземлення йому не потрібен. Завжди перевіряйте, щоб мережева напруга відповідала значенню, зазначеному в таблиці з паспортними даними.

- У разі пошкодження шнура живлення, щоб уникнути виникнення небезпечних ситуацій, його заміну повинен виконати виробник обладнання або уповноважений сервісний центр BLACK+DECKER.

Функції (Рис. А)

Цей інструмент може мати всі або деякі з перерахованих нижче функцій.

1. Рухомий перемикач
2. Шнур живлення
3. Рухомий запобіжний щиток
4. Захват корпусу
5. Бокова рукоятка (2 положення)
6. Кнопка фіксації шпинделя

Робота

Робота з вашою кутовою шліфувальною машиною (Рис. А)

Щоб увімкнути машину, посуňte рухливий перемикач вперед (1). Щоб вимкнути машину, натисніть на задню частину рухомого перемикача.

Установка кіл (Рисунки В і С)

У такому випадку виконайте такі дії:

- Від'єднайте штепсельну вилку від джерела електричного живлення.
- Переконайтесь, що захисний щиток встановлений. Встановіть внутрішній фланець (7) на шпиндель. Перевірте, щоб він був розташований на двох гранях.
- Встановіть абразивне коло на шпиндель і внутрішній фланець (8). Переконайтесь, що воно встановлене правильно.
- Встановіть зовнішній фланець з різьбленням (9), звертаючи увагу на те, щоб його орієнтація відповідала типу встановленого кола. Для шліфувальних кіл фланець (9) повинен бути встановлений виступом до кола. Для відрізних кіл фланець (9) повинен бути встановлений внутрішньою частиною від кола.
- Зафіксуйте гайковим ключем грані шпинделя для запобігання обертання кола і затягніть зовнішній фланець ключем, що входить в комплект машини.
- Натисніть кнопку фіксації шпинделя і повертайте шпиндель, поки він не зафіксується за місцем (Рис. С). Утримуючи кнопку фіксації натиснутою, затягніть зовнішній фланець ключем, що входить в комплект машини.

Установка наждакових кіл (Рис. D)

- Для роботи з вашою кутовою шліфувальною машиною використовуйте наждакові кола з підшовою для шліфування.
- Від'єднайте штепсельну вилку від джерела електричного живлення.
- Зніміть захисний щиток.
- Встановіть фланець на шпиндель. Встановіть підшову на шпиндель і внутрішній фланець, переконавшись, що все точно стало на місце.
- Встановіть шліфувальне коло з волокном на підкладку.
- Закрутіть зовнішній фланець з різьбленням і потягніть його до упору, як зазначено в п. «Установка кіл».

Поради для зручного поводження (Рис. E)

Тримайте міцно шліфувальну машину однією рукою за бокову рукоятку і другою рукою за корпус.

- Завжди встановлюйте запобіжний щиток таким чином, щоб відкрита частина кола була спрямована максимально від вас.
- Будьте готові до зливи іскор, коли коло буде торкатися металу.

При шліфуванні завжди витримуйте належний кут між колом і робочою поверхнею (15°)(Рис. D). Завдяки цьому збільшується шліфувальна здатність кола і запобігається необов'язкове перевантаження.

Перевантаження

Перевантаження призводить до пошкодження двигуна вашої кутової шліфувальної машини. Це може відбутися в тому випадку, якщо ваша кутова шліфувальна машина працювала у важкому режимі навантаження протягом тривалого періоду часу. Ні за яких обставин не намагайтеся прикладати занадто велике зусилля до кутової шліфувальної для збільшення швидкості її роботи. Абразивні диски працюють більш ефективно, коли прикладається невелике зусилля, завдяки чому усувається падіння оборотів вашої кутової шліфувальної машини.

Технічне обслуговування

Запобіжні щитки, вентиляційні отвори і корпус двигуна повинні бути вільними від пилу і бруду. Витирайте пил і бруд чистою тканиною та видавайте пил струменем повітря під низьким тиском. Надмірне накопичення металевого пилу може призвести до появи струмопровідних шляхів між внутрішніми деталями інструменту і зовнішніми металевими деталями. Не перевантажуйте вашу кутову шліфувальну машину. Перевантаження призводить до зниження швидкості та ефективності роботи машини, внаслідок чого вона почне сильно нагріватися. У такому випадку машина повинна декілька хвилин працювати без навантаження, поки її температура не опуститься до нормального робочого значення. Вимкнення кутової шліфувальної машини в режимі роботи під навантаженням призведе до скорочення терміну служби перемикача.

Захист навколишнього середовища



Роздільний збір відходів. Забороняється утилізувати цей продукт разом зі звичайними побутовими відходами.

Якщо ви вирішите, що ваш виріб BLACK+DECKER необхідно замінити, або якщо ви не будете його більше використовувати, не утилізуйте його разом із побутовими відходами. Цей продукт підлягає роздільному збору відходів.



Роздільний збір використаних продуктів та пакувальних матеріалів дозволяє здійснювати їх вторинну переробку з подальшим повторним використанням. Використання матеріалів, що пройшли вторинну переробку, знижує забруднення навколишнього середовища та зменшує потребу в сировинних матеріалах.

Нормативні акти місцевих органів влади можуть передбачати збір використаних електричних виробів окремо від побутових відходів, в муніципальних пунктах збору відходів або в магазині при покупці нового обладнання.

Компанія BLACK+DECKER надає можливість для збору та повторної переробки продуктів BLACK+DECKER після закінчення терміну їх служби. Щоб скористатися перевагою цього сервісу, будь ласка, надішліть ваш продукт будь-якому уповноваженому представнику з ремонту, який збирає такі вироби від нашого імені.

Ви можете дізнатися адресу нашого найближчого уповноваженого представника з ремонту, зателефонувавши в регіональне представництво BLACK+DECKER, вказане в цій інструкції. Крім того, список уповноважених представників з ремонту BLACK+DECKER, детальну інформацію про обслуговування після продажу та контактні дані можна знайти на сайті: www.2helpU.com.

Очищення

Для очищення кутової шліфувальної машини користуйтеся тільки м'яким мильним розчином і злегка вологою тканиною. Багато побутових чистячих засобів містять хімічні речовини, які можуть серйозно пошкодити пластмасові деталі машини. Також не дозволяється використовувати бензин, терпентин, лак, розчинники фарб та інші аналогічні продукти. В жодному разі не допускайте попадання рідини всередину інструменту і не занурюйте інструмент будь-якою частиною в рідину.

Важливо! Щоб гарантувати **БЕЗПЕКУ** та **НАДІЙНІСТЬ** інструменту, ремонт, обслуговування та налаштування (окрім описаних в цій інструкції) повинні проводитись в авторизованих сервісних центрах або кваліфікованими працівниками, завжди з використанням ідентичних запчастин.

ТЕХНІЧНІ ДАНІ

		G850
Потужність	Вт	850
Напруга	В	220-240
Частота	Гц	50/60
Діаметр диска	мм	125
Швидкість холостого ходу	хв ⁻¹	12000 (об/хв)
Розмір шпінделя		M14
Довжина кабелю	м	2

Гарантія

Компанія BLACK+DECKER впевнена в якості своїх виробів та надає виняткову гарантію. Дана заява про гарантію доповнює і ні в якій мірі не порушує ваші законні права.

Якщо продукт виробництва BLACK+DECKER прийде в непридатність внаслідок неякісних матеріалів, неякісного виготовлення або невідповідності вимогам, BLACK+DECKER гарантує в межах 24-х місяців з дати продажу виконання заміни дефектних деталей, виконання ремонту виробів, які зазнали природного зносу, або виконання заміни таких виробів, для зведення до мінімуму незручностей для покупця, за винятком перерахованих нижче випадків:

- Даний продукт був використаний для продажу, на промислових роботах або здавався на прокат.
- Даний продукт використовувався неправильно або без належного догляду.
- Даному продукту було завдано збитків сторонніми предметами, речовинами або внаслідок надзвичайної події.
- Була здійснена спроба ремонту продукту особами, які не є уповноваженими представниками з ремонту або ремонтно-обслуговуючим персоналом Black+Decker.

Щоб заявити претензію по гарантії, необхідно буде надати підтвердження покупки продавцю або уповноваженому представнику з ремонту. Ви можете дізнатися адресу вашого найближчого уповноваженого представника з ремонту, зателефонувавши в регіональне представництво BLACK+DECKER, вказане в цій інструкції. Крім того, список уповноважених представників з ремонту BLACK+DECKER, детальну інформацію про обслуговування після продажу та контактні дані можна знайти на сайті: www.2helpU.com



Гарантійні умови

Шановний покупець!

1. Вітаємо Вас з покупкою високоякісного виробу BLACK + DECKER і висловлюємо вдячність за Ваш вибір.
2. При покупці виробу вимагайте перевірки його комплектності і справності у Вашій присутності, інструкцію з експлуатації та заповнений гарантійний талон українською мовою
В гарантійному талоні повинні бути внесені: модель, дата продажу, серійний номер, дата виробництва інструменту, назва, печатка і підпис торгової організації. За відсутності у Вас правильно заповненого гарантійного талону, а також при невідповідності зазначених у ньому даних ми будемо змушені відхилити Ваші претензії щодо якості даного виробу.
3. Щоб уникнути непорозумінь, переконливо просимо Вас перед початком роботи з виробом уважно ознайомитися з інструкцією з його експлуатації. Правовою основою справжніх гарантійних умов є чинне Законодавство. Гарантійний термін на даний виріб складає 24 місяці і обчислюється з дня продажу. У разі усунення недоліків виробу, гарантійний строк продовжується на період його перебування в ремонті. Термін служби виробу становить 5 років з дня продажу.
4. У разі виникнення будь-яких проблем у процесі експлуатації виробу рекомендуємо Вам звертатися тільки в уповноважені сервісні центри BLACK + DECKER, адреси та телефони яких Ви зможете знайти в гарантійному талоні, на сайті www.2helpU.com або дізнатися в магазині. Наші сервісні станції - це не тільки кваліфікований ремонт, але і широкий асортимент запчастин і аксесуарів.
5. Виробник рекомендує проводити періодичну перевірку і технічне обслуговування виробу в уповноважених сервісних центрах.
6. Наші гарантійні зобов'язання поширюються тільки на несправності, виявлені протягом гарантійного терміну і викликані дефектами виробництва та \ або матеріалів.
7. Гарантійні умови не поширюються на несправності виробу, що виникли в результаті:
- 7.1 Недотримання користувачем приписів інструкції з експлуатації виробу, застосування виробу не за призначенням, неправильного зберігання, використання приладдя, витратних матеріалів і запчастин, що не передбачені виробником.

- 7.2 Механічного пошкодження (відколи, тріщини і руйнування) внутрішніх і зовнішніх деталей виробу, основних і допоміжних рукояток, мережевого кабелю, що викликані зовнішнім ударним або будь-яким іншим впливом
- 7.3 Потрапляння у вентиляційні отвори та проникнення всередину виробу сторонніх предметів, матеріалів або речовин, що не є відходами, які супроводжують застосування виробу за призначенням, такими як: стружка, тирса, пісок, та ін.
- 7.4 Впливу на виріб несприятливих атмосферних і інших зовнішніх факторів, таких як дощ, сніг, підвищена вологість, нагрівання, агресивні середовища, невідповідність параметрів електромережі, що зазначені на інструменті.
- 7.5 Стихійного лиха. Пошкодження або втрати виробу, що пов'язані з непередбаченими лихами, стихійними явищами, у тому числі внаслідок дії непереборної сили (пожежа, блискавка, потоп і інші природні явища), а також внаслідок перепадів напруги в електромережі та іншими причинами, які знаходяться поза контролем виробника.
8. Гарантійні умови не поширюються:
- 8.1. На інструменти, що піддавалися розкриттю, ремонту або модифікації поза уповноваженим сервісним центром.
- 8.2. На деталі, вузли та матеріали, що мають сліди природного зносу, такі як: приводні ремені і колеса, вугільні шітки, мастило, підшипники, зубчасті зчеплення редукторів, гумові ущільнення, сальники, направляючі ролики, муфти, вимикачі, бойки, штовхачі, стволи тощо.
- 8.3. На змінні частини: патрони, цанги, затискні гайки і фланці, фільтри, акумуляторні батареї, ножі, шліфувальні підшови, ланцюги, зірочки, пильні шини, захисні кожухи, пилки, абразиви, пильні і абразивні диски, фрези, свердла, бури тощо
- 8.4. На несправності, що виникли в результаті перевантаження інструменту (як механічного, так і електричного), що спричинили вихід з ладу одночасно двох і більше деталей і вузлів, таких як: ротора і статора, обох обмоток статора, веденої і ведучої шестерень редуктора або інших вузлів і деталей. До безумовних ознак перевантаження виробу відносяться, крім інших: поява кольорів мінливості, деформація або оплавлення деталей і вузлів виробу, потемніння або обуглювання ізоляції проводів електродвигуна під впливом високої температури.



Виробник:
"Stanley BLACK+DECKER Deutschland GmbH" Black-&-Decker Str.40, D-65510 Idstein, Німеччина

Kullanım amacı

BLACK+DECKER™ G850 avuç taşlama makineniz uygun tipte kesme ve taşlama diskini kullanarak metal ve taşların taşlanması ve kesilmesi için tasarlanmıştır. Bu alet sadece hafif hizmet ve hobi kullanımını içindir.

Güvenlik talimatları

Genel elektrikli alet güvenlik uyarıları



Uyarı! Bütün güvenlik uyarılarını ve talimatlarını mutlaka okuyun.

Aşağıda yer alan uyarılar ve talimatların herhangi birisine uyulmaması elektrik çarpması,

yangın ve/veya ciddi yaralanma riskine neden olabilir.

Bütün uyarı ve güvenlik talimatlarını ilerde bakmak üzere saklayın.

Aşağıda yer alan uyarılardaki «elektrikli alet» terimi şebeke elektrifiyle (kablolu) veya akü/pille (şarjlı) çalışan elektrikli aletinizi ifade etmektedir.

1. Çalışma alanının güvenliği

- Çalışma alanını temiz ve aydınlık tutun.** Karışık veya karanlık alanlar kazaya davetiye çıkarır.
- Elektrikli aletleri, yanıcı sıvılar, gazlar ve tozların bulunduğu yerler gibi yanıcı ortamlarda çalıştırmayın.** Elektrikli aletler, toz veya dumanları ateşleyebilecek kıvılcımlar çıkarır.
- Bir elektrikli aleti çalıştırırken çocuklardan ve etraftaki kişilerden uzak tutun.** Dikkatinizi dağıtıcı şeyler kontrolü kaybetmenize neden olabilir.

2. Elektrik güvenliği


- Elektrikli aletlerin fişleri prizlere uygun olmalıdır.** Fiş üzerinde kesinlikle hiçbir değişiklik yapmayın. Topraklı elektrikli aletlerde hiçbir adaptör fişi kullanmayın. Değiştirilmemiş fişler ve uygun prizler elektrik çarpması riskini azaltacaktır.
- Borular, radyatörler, ocaklar ve buzdolapları gibi topraklanmamış yüzeylerle vücut temasından kaçının.**

Vücudunuzun topraklanması halinde yüksek bir elektrik çarpması riski vardır.

- Elektrikli aletleri yağmura maruz bırakmayın veya ıslatmayın.** Elektrikli alete su girmesi elektrik çarpması riskini arttıracaktır.
- Elektrik kablosunu uygun olmayan amaçlarla kullanmayın. Elektrikli aleti kesinlikle kablosundan tutarak taşımayın, çekmeyin veya prizden çıkartmayın.** Kabloyu sıcağın, yağdan, keskin kenarlardan veya hareketli parçalardan uzak tutun. Hasarlı veya dolanmış kablolar elektrik çarpması riskini artırır.
- Elektrikli bir aleti açık havada çalıştırıyorsanız, açık havada kullanıma uygun bir uzatma kablosu kullanın.** Açık havada kullanıma uygun bir kablounun kullanılması elektrik çarpması riskini azaltır.
- Eğer bir elektrikli aletin nemli bir bölgede çalıştırılması zorunluysa, bir artık akım aygıtı (RCD) korumalı bir kaynak kullanın.** Bir RCD kullanılması elektrik şoku riskini azaltır.

3. Kişisel güvenlik

- Elektrikli bir aleti kullanırken her zaman dikkatli olun, yaptığınız işe yoğunlaşın ve sağduyulu davranın. Elektrikli bir aleti yorgunken veya ilaç ya da alkolün etkisi altındayken kullanmayın.** Elektrikli aletleri kullanırken bir anlık dikkatsizlik ciddi kişisel yaralanmayla sonuçlanabilir.
- Kişisel koruyucu ekipmanları mutlaka kullanın. Daima koruyucu gözlük takın.** Koşullara uygun toz maskesi, kaymayan güvenlik ayakkabıları, baret veya kulaklık gibi koruyucu donanımların kullanılması kişisel yaralanmaları azaltacaktır.
- İstem dışı çalıştırılmasını önleyin. Aleti güç kaynağına ve/veya aküye bağlamadan, yerden kaldırmadan veya taşımadan önce açma/kapama düğmesinin kapalı konumda olduğundan emin olun.** Aleti, parmağınız düğme üzerinde bulunacak şekilde taşımak veya açık konumdaki elektrikli aletleri elektrik şebekesine bağlamak kazaya davetiye çıkarır.

- d. Elektrikli aleti açmadan önce tüm ayarlama anahtarlarını çıkartın.** Elektrikli aletin hareketli bir parçasına takılı kalmış bir anahtar kişisel yaralanmaya neden olabilir.
- e. Ulaşmakta zorlandığınız yerlerde kullanmayın. Daima sağlam ve dengeli basın.** Bu, beklenmedik durumlarda elektrikli aletin daha iyi kontrol edilmesine olanak tanır.
- f. Uygun şekilde giyinin. Bol elbiseler giymeyin ve takı takmayın. Saçınızı, elbiselerinizi ve eldivenlerinizi hareketli parçalardan uzak tutun.** Bol elbiseler ve takılar veya uzun saç hareketli parçalara takılabilir.
- g. Eğer kullandığınız üründe toz emme ve toplama özellikleri olan ataşmanlar varsa bunların bağlı olduğundan ve doğru şekilde kullanıldığından emin olun.** Bu toz toplama ataşmanların kullanılması tozla ilgili tehlikeleri azaltabilir.
- 4. Elektrikli aletlerin kullanımı ve bakımı**
- a. Elektrikli aleti zorlamayın. Uygulamanız için doğru elektrikli aleti kullanın.** Doğru elektrikli alet, belirlendiği kapasite ayarında kullanıldığında daha iyi ve güvenli çalışacaktır.
- b. Düğme açmıyor ve kapatmıyorsa elektrikli aleti kullanmayın.** Düğmeyle kontrol edilemeyen tüm elektrikli aletler tehlikelidir ve tamir edilmesi gerekmektedir.
- c. Herhangi bir ayarlama, aksesuar değişimi veya elektrikli aletlerin saklanması öncesinde fişi güç kaynağından çekin ve/veya aküyü elektrikli aletten ayırın.** Bu tür önleyici güvenlik tedbirleri aletin istem dışı olarak çalıştırılması riskini azaltacaktır.
- d. Elektrikli aleti, çocukların ulaşamayacağı yerlerde saklayın ve elektrikli aleti tanımayan veya bu talimatları bilmeyen kişilerin elektrikli aleti kullanmasına izin vermeyin.** Elektrikli aletler, eğitimsiz kullanıcıların elinde tehlikelidir.
- e. Elektrikli aletleri iyi durumda muhafaza edin. Hareketli parçalardaki hizalama hatalarını ve tutuklukları, parçalardaki kırılmalar ve elektrikli aletin çalışmasını etkileyebilecek tüm diğer koşulları kontrol edin. Hasarı ise, elektrikli aleti kullanmadan önce tamir ettirin.** Kazaların çoğu, elektrikli aletlerin bakımının yeterli şekilde yapılmamasından kaynaklanır.
- f. Kesim aletlerini keskin ve temiz tutun.** Bakımı uygun şekilde yapılmış keskin kesim uçlu kesim aletlerinin sıkışma ihtimali daha düşüktür ve kontrol edilmesi daha kolaydır.
- g. Elektrikli aleti, aksesuarlarını ve aletin diğer parçalarını kullanırken bu talimatlara mutlaka uyun ve çalışma ortamının koşullarını ve yapılacak işin ne olduğunu göz önünde bulundurun.** Elektrikli aletin öngörülen işlemler dışındaki işlemler için kullanılması tehlikeli durumlara neden olabilir.
- 5. Servis**
- a. Elektrikli aletinizi, sadece orijinal yedek parçaların kullanıldığı yetkili servise tamir ettirin.** Bu, elektrikli aletin güvenliğinin muhafaza edilmesini sağlayacaktır.
- Elektrikli el aletleri için ek güvenlik talimatları**
-  **Uyarı!** Taşlama, zımparalama, fırçalama, polisaj veya aşındırıcı diskle kesme işleri için ek güvenlik talimatları.
- Bu elektrikli alet bir taşlama, zımparalama, fırçalama, polisaj veya kesme makinesi olarak kullanılmak üzere tasarlanmıştır. Bu elektrikli alet ile verilen tüm güvenlik uyarıları, talimatlar, resimli açıklamalar ve teknik özellikleri okuyun.** Aşağıda belirtilen tüm talimatların herhangi birisine uyulmaması elektrik çarpması, yangın ve/veya ciddi yaralanma riskine neden olabilir.
 - Elektrikli aletin tasarlanma amacı dışındaki işlemler tehlike ve kişisel yaralanmalara neden olabilir.**

- **Üretici firma tarafından özel olarak tasarlanmamış ve tavsiye edilmemiş aksesuarları kullanmayın.** Aksesuarın elektrikli aletinize takılabilir olması güvenli bir çalışma temin edeceği anlamına gelmemektedir.
 - **Aksesuarın nominal hızı en az elektrikli alet üzerinde yazan maksimum hıza eşit olmalıdır.** Nominal hızından daha hızlı çalışan aksesuarlar kırılabilir ve etrafa saçılabilir.
 - **Aksesuarınızın dış çapı ve kalınlığı elektrikli aletinizin kapasite oranı içinde olmalıdır.** Yanlış ebatlı aksesuarlar yeteri kadar korunamaz ve kontrol edilemez.
 - **Disk, flanş, taban ya da diğer aksesuarların mil çapı elektrikli aletin miline tam olarak uymalıdır.** Elektrikli aletin montaj donanımına uymayan mil çapına sahip aksesuarlar dengesiz çalışır, aşırı titreşim yapar ve kontrolü kaybetmeye neden olabilir.
 - **Hasar görmüş olan bir aksesuarı kullanmayın. Her kullanımdan önce aksesuarları inceleyin, örneğin diski talaş ve çatlaklara karşı, tabanı çatlak, kopma ya da aşırı kullanıma karşı, tel fırçayı gevşek ya da kırık tellere karşı kontrol edin. Elektrikli alet ya da aksesuar düşürülürse, hasar olup olmadığını kontrol edin ya da sağlam aksesuar takın. Aksesuarın incelenmesi ve monte edilmesinden sonra bir dakika boyunca elektrikli aleti boşta ve maksimum hızda çalıştırın.** Bu test süresince hasarlı aksesuarlar normal olarak kırılarak dağılacaktır.
 - **Kişisel koruyucu ekipmanları mutlaka kullanın. Uygulamaya bağlı olarak yüz kalkanı, koruyucu gözlük ya da güvenlik gözlükleri kullanın. Yeri geldiğinde küçük aşındırıcı maddeleri ya da işleme tabi tutulan parçaları durdurabilen toz maskesi, kulaklık, eldiven ve iş önlüğü giyin.** Göz koruması, çeşitli işlemler sonucu açığa çıkan uçan parçacıkları durdurabilmelidir. Toz maskesi ya da gaz maskesi yaptığınız işlem sonucu açığa çıkan parçacıkları filtreleyebilmelidir.
- Uzun süreli yüksek şiddetli gürültüye maruz kalınması işitme kaybına neden olabilir.
- **Çevrede bulunan şahısları çalışma alanından uzakta güvenli bir mesafede tutun. Çalışma alanına giren şahıslar kişisel koruyucu ekipman giymelidir.** İşleme tabi tutulan parçanın ya da kırık bir aksesuarın parçacıkları fırlayabilir ve çalışma alanının yakın çevresinde yaralanmalara neden olabilir.
 - **Kesme aksesuarının gizli kabloları veya kendi kablosuna temas edebileceği yerlerde çalışma yaparken elektrikli aleti yalıtımlı kavrama yüzeylerinden tutun.** Kesme aksesuarının «akım taşıyan» bir kabloyla temas etmesi durumunda elektrikli aletin metal kısımları da «akım taşıyıcı» hale gelecek ve kullanıcının çarpılmasına neden olabilir.
 - **Kabloyu dönen aksesuardan uzak tutun.** Kontrolü kaybederseniz kablo kesilebilir ya da kopabilir ve eliniz ya da kolunuz dönen aksesuar içine çekilebilir.
 - **Aksesuar tamamen durmadıkça elektrikli aleti asla yere koymayın.** Dönen aksesuar yüzeyi yakalayabilir ve elektrikli aleti kontrolünüzden çıkarabilir.
 - **Elektrikli aleti yanınızda taşırken çalıştırmayın.** Kaza ile temas halinde, dönen aksesuar giysinize takılabilir, aksesuarı vücudunuza doğru çekebilir.
 - **Elektrikli aletin hava çıkışlarını düzenli olarak temizleyin.** Motor fanı, tozu muhafaza içine çeker ve aşırı metal toplanması elektriksel tehlike yaratabilir.
 - **Elektrikli aleti yanıcı malzemelerin yakınında çalıştırmayın.** Kıvılcım bu malzemeleri tutuşturabilir.
 - **Sıvı soğutucu gerektiren aksesuarlar kullanmayın.** Su ya da diğer sıvı soğutucuların kullanılması elektrik çarpması ya da şok ile sonuçlanabilir.
- Not:** Yukarıdaki uyarı sıvı sistemle çalışmak üzere tasarlanmış elektrikli el aletleri için geçerli değildir.

Geri tepme ve ilgili uyarılar

Geri tepme, sıkışmış veya takılmış bir disk, taban, fırça veya diğer aksesuarlara verilen ani tepkidir. Sıkışma veya takılma dönen aksesuarın aniden durmasına neden olur, bu daha sonra temas noktasında elektrikli aletin kontrolsüzce, aksesuarın dönme yönünün tersine doğru zorlanmasına yol açar.

Örneğin, bir aşındırıcı disk, işleme tabii tutulan parçaya takılır ya da sıkışır; sıkışma noktasına giren disk kenarı malzemenin yüzeyine saplanarak, diskin geri tepmesine ya da fırlamasına neden olabilir. Disk, sıkışma noktasındaki hareket yönüne bağlı olarak ya kullanıcıya doğru ya da kullanıcıdan uzağa fırlayabilir. Aşındırıcı diskler bu koşullar altında kırılabilir.

Geri tepme, elektrik aletin yanlış kullanılmasından ve/veya yanlış çalıştırma işlemleri veya koşullarından kaynaklanır ve aşağıda da belirtilen uygun tedbirler alınarak önlenebilir:

- **Elektrikli aleti sıkıca tutun, vücudunuzu ve kolunuzu geri tepme gücüne karşı koyacak şekilde konumlandırın. Geri tepmeye ya da çalıştırma sırasındaki döndürme momenti tepkisine karşı maksimum kontrol sağlamak için eğer varsa yan tutma kolunu kullanın.** Doğru önlemler alınırsa döndürme momenti tepkileri ya da geri tepmeler kullanıcı tarafından kontrol edilebilir.
- **Döner aksesuar civarına asla elinizi sokmayın.** Aksesuar elinizde geri tepme etkisi yapabilir.
- **Geri tepmenin meydana gelmesi durumunda vücudunuzu elektrikli aletin hareket edeceği alanda bulundurmayın.** Geri tepme hareketi aleti takılma noktasında disk hareketine ters yönde itecektir.
- **Köşe, keskin kenarlar vb. yerlerle çalışırken özellikle dikkatli olun.** Aksesuarın sekmesinden ve takılmasından kaçının. Köşeler, keskin kenarlar ya da sektirme hareketi döner aksesuarı engelleme eğilimindedir ve kontrolün kaybedilmesine ya da geri tepmeye neden olabilir
- **Zincirli testere zinciri, ahşap oyma bıçağı ya da dişli daire/gönye testere**

bıçağı takmayın. Bu tür bıçaklar sık sık geri tepme ve kontrol kaybı oluşturur.

Taşlama ve aşındırıcı kesme uygulamaları için özel güvenlik uyarıları

- **Sadece elektrikli aletiniz için tavsiye edilen disk türlerini ve seçilen disk için tasarlanmış özel muhafazayı kullanın.** Elektrikli aletin birlikte kullanılmak için tasarlanmadığı diskler yeterli kadar korunamazlar ve güvenli değildir.
 - **Basık merkezli disklerin taşlama yüzeyi muhafaza çıkıntısı düzeyinden aşağıda monte edilmelidir.** Muhafaza çıkıntısı düzeyinden dışarı doğru çıkan yanlış monte edilmiş diskler gerektiği gibi korunamazlar.
 - **Muhafazanın elektrikli alete güvenli bir şekilde bağlanması ve maksimum güvenlik için konumlandırılması gerekir, böylece diskin çok az bir kısmı kullanıcıya açık olacaktır.** Muhafaza, kullanıcının kırılan disk parçacıklarından ve disk ile istenmeyen temaslardan korunmasına yardımcı olur.
 - **Diskler sadece önerilen uygulamalar için kullanılmalıdır. Örneğin: kesme diskinin kenarı ile taşlama yapmayın.** Aşındırıcı kesici diskler çevresel aşındırma için tasarlanmıştır, bu disklere uygulanan yan kuvvetler diskleri parçalayabilir.
 - **Her zaman seçilen disk için doğru ebat ve şekilde, hasarsız flanşları kullanın.** Uygun flanşlar, diski destekler ve disk kırılması olasılığını azaltır. Kesme diski flanşları taşlama diski flanşlarından farklı olabilir.
 - **Daha büyük çaplı taşlamaların yıpranmış disklerini kullanmayın.** Daha büyük elektrikli aletler için tasarlanmış disk daha küçük bir aletin yüksek hızları için uygun değildir ve parçalanabilir.
- ### Aşındırıcı kesme uygulamalarına özel ilave güvenlik uyarıları
- **Kesme diskini sıkıştırmayın veya aşırı basınç uygulamayın.** Çok derin kesmeye çalışmayın. Diske aşırı yük uygulamak yüklemeyi, diskin kesim sırasında bükülme veya engellenme hassasiyetini ve geri tepme veya disk kırılması olasılığını artırır.

- **Vücudunuzu döner diskle aynı hizaya veya döner diskin arkasına konumlandırmayın. Disk işlem sırasında sizden uzaklaşıyorsa, olası geri tepme, dönen diski ve elektrikli aleti doğrudan size doğru itebilir.**
- **Disk herhangi bir nedenle kesimi engelliyor veya yarıda kesiyorsa, elektrikli aleti düğmesinden kapatın ve disk tamamen durana kadar elektrikli aleti hareket ettirmeden tutun. Disk hareket halindeyken, kesme diskini kesimden uzaklaştırmayı asla denemeyin, aksi takdirde geri tepme meydana gelebilir.** Diskin engellenme nedenlerini ortadan kaldırmak için inceleme yapın ve düzeltici önlemler alın.
- **İşleme tabi tutulan parça üzerinde kesme işlemine tekrar başlamayın. Diskin son hıza ulaşmasını sağlayın ve kesim yerine dikkatle tekrar girin.** Elektrikli alet işleme tabi tutulan parça içinde yeniden çalıştırılırsa disk engellenebilir, ilerleyebilir veya geri tepebilir
- **Disk sıkışması ve geri tepmesi riskini en aza indirmek için, panelleri veya işleme tabi tutulan herhangi bir büyük boy işi destekleyin. İşleme tabi tutulan büyük parçalar kendi ağırlıkları altında bükülme eğilimindedir.** Destekler, kesme çizgisi yakınındaki işleme tabi tutulan parçanın altına ve diskin her iki yanında işleme tabi tutulan parçanın yakınına yerleştirilmelidir.
- **Var olan duvarların veya diğer kör alanların içine bir «cep kesim» yaparken aşırı özen gösterin.** Kesilen malzemeden çıkan disk, gaz veya su borularını, elektrik tesisatını veya geri tepmeye neden olabilecek nesnelere kesebilir.

Zımparalama uygulamalarına özel ilave güvenlik uyarıları

- **Çok büyük zımpara diski kullanmayın. Zımpara diski seçerken üreticinin tavsiyelerine uyun.** Zımpara tabanından taşan zımpara diski paralanma tehlikesi yaratır ve takılmaya, diskin yırtılmasına ya da geri tepmeye yol açabilir.

Polisaj uygulamalarına özel ilave güvenlik uyarıları

- **Polisaj bonesinin sarkan kısımlarının ya da bağlantı iplerinin serbestçe dönmesine izin vermeyin. Sarkan bağlantı iplerini bonenin içine sokun ya da kesin.** Sarkan veya dönen bağlantı ipleri parmaklarınıza dolanabilir veya çalışma malzemesine takılabilir.

Diğer kişilerin güvenliği

- Bu alet fiziksel ve zihinsel kapasitesinin yanı sıra algılama gücü azalmış olan veya yeterince deneyim ve bilgisi bulunmayan kişiler (çocuklar dahil) tarafından kullanılmak üzere üretilmemiştir. Bu tür kişiler aleti ancak güvenliklerinden sorumlu bir kişi tarafından aletin kullanımıyla ilgili talimatların verilmesi veya sürekli kontrol altında tutulması durumunda kullanabilir.
- Çocuklar, aletle oynamalarını önlemek amacıyla kontrol altında tutulmalıdır.

Diğer tehlikeler

Aletin kullanımıyla ilgili ekte sunulan güvenlik uyarılarına dahil olmayan ilave kalıcı riskler ortaya çıkabilir. Bu riskler, hatalı, uzun süreli kullanım vb. dolayısıyla ortaya çıkabilir.

Emniyet tedbirlerini düzenleyen yönetmeliğin uygulanmasına ve emniyet sağlayıcı aygıtların kullanılmasına rağmen, başka belirli risklerden kaçınılamaz. Bunlar:

- **Aletin dönen ve hareket eden parçalarına dokunma sonucu ortaya çıkan yaralanmalar.**
- **Herhangi bir parçayı, disk veya aksesuarı değiştirirken ortaya çıkan yaralanmalar.**
- **Aletin uzun süreli kullanılması sonucu ortaya çıkan yaralanmalar. Herhangi bir aleti uzun sürelerle kullanıyorsanız düzenli olarak çalışmanıza ara verin.**
- **Duyuma bozukluğu.**
- **Aleti kullanırken ortaya çıkan tozun solunması sonucu ortaya çıkan sağlık sorunları (örnek: ahşapta çalışırken, özellikle meşe, akgürgen ve MDF).**

Titreşim

Teknik veriler ve uygunluk beyanatı içerisinde belirtilen titreşim emisyon değerleri EN60745 tarafından belirlenen standart bir test yöntemine uygun olarak ölçülmektedir ve diğer bir aletle karşılaştırma yaparken kullanılabilir. Beyan edilen titreşim emisyon değeri aynı zamanda maruz kalmanın önceden değerlendirilmesinde de kullanılabilir.

Uyarı! Elektrikli aletin mevcut kullanımı sırasındaki titreşim emisyon değeri, aletin kullanım yöntemine bağlı olarak, beyan edilen değere göre farklılık sergileyebilir. Titreşim düzeyi belirlenen seviyenin üzerinde artış gösterebilir.

İşyerinde düzenli olarak elektrikli alet kullanan çalışanları korumak amacıyla 2002/44/EC tarafından getirilen elektrik güvenliği önlemlerini belirlemek üzere titreşime maruz kalmayı değerlendirirken, çalışma döngüsü içerisinde örneğin aletin kapalı olduğu ve aktif durumda olmasının yanı sıra boşta çalıştığı zamanlar gibi, bütün zaman dilimleri dahil olmak üzere mevcut kullanım durumu ve aletin kullanım şekli göz önünde bulundurularak değerlendirilmelidir.

Alet üzerindeki etiketler

Alet üzerinde, aşağıdaki uyarı sembolleri bulunmaktadır:



Uyarı! Yaralanma riskini en aza indirmek için kullanıcı kullanım talimatlarını mutlaka okumalıdır.



Bu aleti kullanırken koruyucu gözlük kullanın.



Aletle çalışırken kulaklık takın.

Elektrik güvenliği



Bu alet çift yalıtımlıdır. Bu yüzden hiçbir topraklama kablosuna gerek yoktur. Her zaman şebeke geriliminin aletin üretim etiketinde belirlenmiş değerlere uyup uymadığını kontrol edin.

- Elektrik kablosu hasarlı ise, bir tehlike oluşmasını önlemek için üretici ya da yetkili BLACK+DECKER Servis Merkezi tarafından değiştirilmelidir.

Özellikler (Şekil A)

- Açma/kapama düğmesi
- Kablo
- Aletsiz muhafaza
- Gövde tutma alanı
- Yan kol (2 pozisyonlu)
- Mil kilidi düğmesi

Kullanım

Taşlama Makinesinin Kullanımı (Şekil A)

Aleti çalıştırmak için, açma/kapama düğmesini (1) ileriye kaydırın. Aleti kapatmak için açma/kapama düğmesinin arka tarafına basın.

Disklerin Takılması (Şekil B ve C)

Aşağıdaki talimatlara göre hareket edin:

- Aletin fişini şebekeden çıkarın.
- Muhafazanın takılmış olduğundan emin olun. İç flanşı (7) milin üzerine yerleştirin. İki düz tarafın üzerine yerleştirildiğinden emin olun.
- Aşındırıcı diski milin ve iç flanşın (8) üzerine yerleştirin. Diskin doğru yerleştirildiğinden emin olun.
- Dış flanşı (9) takılan diskin doğru yüzüne bakacak şekilde taktığınıza emin olun. Taşlama diskini takarken dış flanştaki (9) yüksek merkez diske bakmalıdır. Kesme diskini takarken dış flanştaki (9) yüksek merkez diskin aksi yöne bakmalıdır.
- Verilen anahtarı kullanarak dış flanşı, anahtarı milin üzerindeki düz yüzeyde tutup diskin dönmesini önleyerek sıkın.
- Mil kilidi düğmesini basılı tutun ve mil kilitlenene kadar döndürün (Şekil C). Mil kilidi düğmesini basılı tutarak dış flanşı verilen anahtarı kullanarak sıkıştırın.

Zımparalama Disklerinin Takılması (Şekil D)

- Zımparalama uygulamaları için zımparalama disklerini ve zımparalama tabanını kullanın.

- Aletin fişini şebekeden çıkarın.
- Muhafazayı çıkartın.
- Flanşı milin üzerine yerleştirin. Tabanı mil ve iç flanşın üzerine takın. Tabanın yerine doğru yerleştikten emin olun.
- Taban üzerine fiber dayalı aşındırıcı disk yerleştirin.
- Dişli dış flanşı yerleştirin ve "Disklerin Takılması" bölümünde açıklanmış gibi sığın.

Yararlı Tavsiyeler (Şekil E)

Taşlama makinenizi tek elinizle yan kolun etrafından diğer elinizle ise gövde tutma alanından sıkı bir şekilde tutun.

- Muhafazayı her zaman diskin açık kalan tarafı sizden uzağa bakacak şekilde konumlandırın.
- Disk metale temas ettiğinde bir kıvılcım akımına hazırlıklı olun.
- Taşlama yaparken, daima disk ile üzerinde çalıştığınız parçanın yüzeyi arasında yaklaşık 15°'lik bir açı bırakın (Şekil D). Bu, diskin kazıma kapasitesini artırarak gereksiz yüklenmeyi önler.

Aşırı Yüklenme

Aşırı yüklenme taşlama makinenizin motoruna zarar verebilir. Bu durum, taşlama makineniz uzun süre ağır hizmet tipi kullanıma maruz kalırsa meydana gelebilir. Hiç bir durumda işinizi hızlandırmak için taşlama makineniz üzerine aşırı şekilde basılı uygulamayın. Aşındırıcı diskler hafif şekilde bastırma ile daha verimli çalışırlar, böylece taşlama makinenizin hızında azalmanın önüne geçilir.

Bakım

Muhafaza, havalandırma delikleri ve motor muhafazasını olabildiğince toz ve kirden temizleyin. Temiz bir bezle silin ve düşük basınçlı hava üfleyin. Metal tozunun aşırı şekilde birikmesi buna maruz kalan iç aksamda elektrik akımının iz yapmasına neden olabilir. Taşlama makinenize aşırı yüklenmeyin. Aşırı yüklenme hızda ve verimlilikte azalmaya yol açarak taşlama makinenizin aşırı ısınmasına neden olabilir.

Bu meydana gelirse taşlama makinenizi normal çalışma derecesine gelene kadar boşa 1-2 dakika çalıştırın. Taşlama makinenizi yük altında iken kapatmanızı açma/kapama düğmesinin ömrünü azaltacaktır.

Çevrenin korunması



Ayrı olarak atın. Bu ürün, normal evsel atıklarla birlikte atılmamalıdır.

BLACK+DECKER ürününüzün değiştirilmesi gerektiğini düşünmeniz veya artık kullanılamaz durumda olması halinde onu, evsel atıklarla birlikte atmayın. Bu ürünü, ayrı olarak toplanacak şekilde atın.



Kullanılmış ürünlerin ve ambalajların ayrı olarak toplanması bu maddelerin geri dönüşüme sokularak yeniden kullanılmasına olanak tanır. Geri dönüşümlü maddelerin tekrar kullanılması çevre kirliliğinin önlenmesine yardımcı olur ve ham madde ihtiyacını azaltır.

Yerel yönetmelikler, elektrikli ürünlerin evlerden toplanıp belediye atık tesislerine aktarılması veya yeni bir ürün satın alırken perakende satıcı tarafından toplanması yönünde hükümler içerebilir.

BLACK+DECKER, hizmet ömrünün sonuna ulaşan BLACK+DECKER ürünlerinin toplanması ve geri dönüşme sokulması için bir imkan sunmaktadır. Bu hizmetin avantajlarından faydalanmak için, lütfen, ürününüzü bizim adımıza teslim alacak herhangi bir yetkili servise iade edin.

Bu kılavuzda belirtilen listeden size en yakın BLACK+DECKER yetkili tamir servisinin yerini öğrenebilirsiniz. Ya da, alternatif olarak internet'ten BLACK+DECKER yetkili tamir servislerinin listesini ve satış sonrası hizmetlerimizle ilgili tüm bilgiler ve temas bilgilerine aşağıdaki siteden ulaşabilirsiniz. www.2helpU.com

Temizleme

Aleti temizlemek için, sadece yumuşak sabun ve nemli bir bez kullanın. Birçok temizlik maddesi plastiğe ciddi bir zarar verebilecek kimyasallar içerirler. Ayrıca benzin, tiner, vernik veya boya inceltici veya benzeri ürünleri kullanmayın. Aletin içine sıvı kaçmasına kesinlikle izin vermeyin ve aletin hiçbir parçasını kesinlikle sıvıya batırmayın.

Önemli! Alet **EMNİYET GÜVENLİĞİ** ve **GÜVENİLİRLİK** için bu kılavuzda belirtilenler dışında tamir, bakım ve ayarlamaların her zaman orijinal yedek parça kullanılarak, yetkili servisler tarafından yapılması gerekmektedir.

TEKNİK ÖZELLİKLERİ

		G850
Güç	W	850
Voltaj	V	220-240
Frekans	Hz	50/60
Disk çapı	mm	125
Yüksüz hız	dev/dak	12000
Mil boyutu		M14
Kablo uzunluğu	m	2

Garanti

BLACK+DECKER, ürünün kalitesinden emindir ve bu yüzden kanunlarda belirtilen taleplerin üstünde bir garanti verir. Ayrıca bu garanti hiçbir şekilde garanti ile ilgili kanuni haklarınızı ihlal etmez ve haklarınızı hiç bir şekilde kısıtlamaz.

Eğer bir BLACK+DECKER ürünü, satın alma tarihinden itibaren 24 ay içinde hatalı malzeme, işçilik ya da uygunsuzluk nedeniyle bozulursa, müşteriye mümkün olabilecek en az sorunu yaşatarak BLACK+DECKER hatalı kısımları değiştirmeyi, adil bir şekilde aşınmış ve yıpranmış ürünleri tamir etmeyi veya değiştirmeyi garanti eder. Ancak bu belirtilenler şu durumlar dışında geçerlidir:

- Ürün ticari veya profesyonel amaçlarla kullanılmışsa veya kiraya verilmişse;
- Ürün yanlış veya amaç dışı kullanılmışsa;
- Ürün yabancı nesnelere, maddelere veya kaza sırasında zarar görmüşse;
- Yetkili tamir servisleri veya Black + Decker servis ekibinden başkası tarafından tamir edilmeye çalışılmışsa.

Garanti talebinde bulunmak için, satıcıya veya yetkili tamir servisine satın aldığınıza dair ispat sunmalısınız. Fatura ve garanti kartı gerekmektedir. Bu kılavuzda belirtilen listeden size en yakın BLACK+DECKER yetkili tamir servisinin yerini öğrenebilirsiniz. Ya da, alternatif olarak internet'ten BLACK+DECKER yetkili tamir servislerinin listesini ve satış sonrası hizmetlerimizle ilgili tüm bilgiler ve temas bilgilerine aşağıdaki siteden ulaşabilirsiniz. www.2helpU.com

Sanayi ve Ticaret Bakanlığı tebliğince kullanım ömrü 7 yıldır.

STANLEY BLACK&DECKER TURKEY
ALET ÜRETİM SAN. TİC. LTD.ŞTİ.
Kozyatağı Mh Değirmen Sk.
Nida Kule No:18 Kat:6
34742 Kadıköy
İstanbul, TÜRKİYE
Tel: +90 216 665 2900
Fax: +90 216 665 2901

