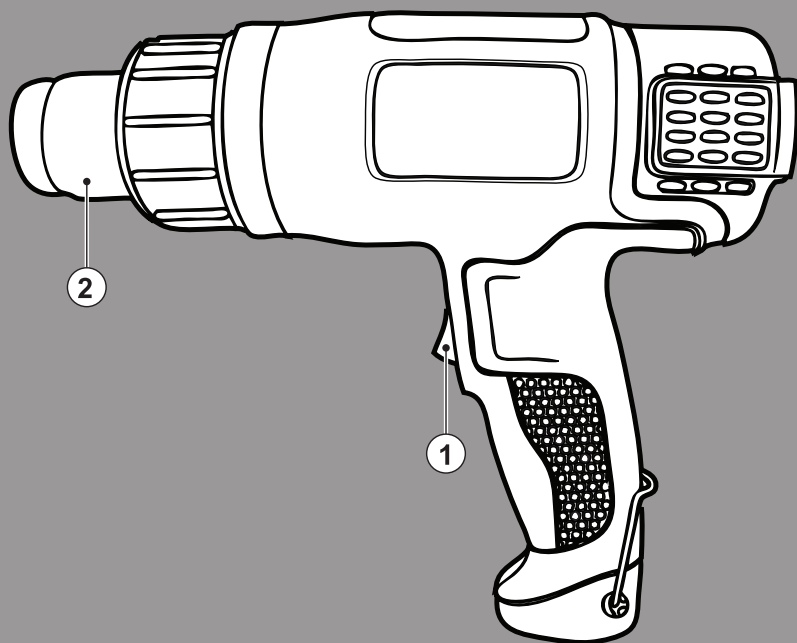
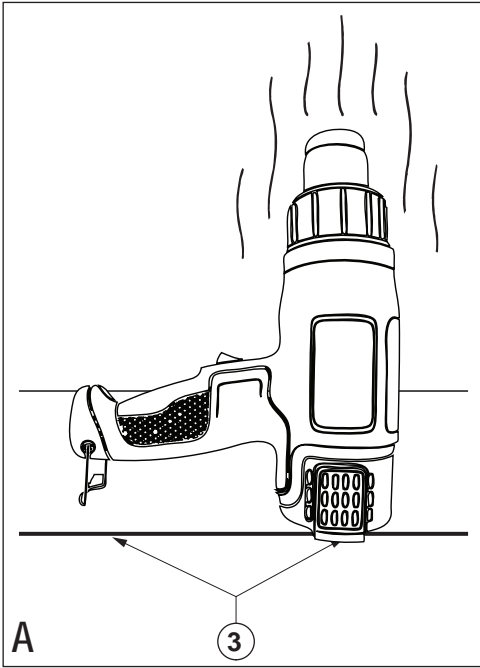


 **BLACK & DECKER®**



www.blackanddecker.co.uk

KX1650



Intended use

Your Black & Decker heat gun has been designed for various heating applications such as paint stripping. This product is intended for consumer use and indoor use only.

Safety instructions

General power tool safety warnings



Warning! Read all safety warnings and all instructions. Failure to follow the warnings and instructions listed below may result in electric shock, fire and/or serious injury.

Save all warnings and instructions for future reference.

The term "power tool" in all of the warnings listed below refers to your mains operated (corded) power tool or battery operated (cordless) power tool.

1. Work area safety

- a. Keep **work area clean and well lit**. Cluttered or dark areas invite accidents.
- b. **Do not operate power tools in explosive atmospheres, such as in the presence of flammable liquids, gases or dust.** Power tools create sparks which may ignite the dust or fumes.
- c. **Keep children and bystanders away while operating a power tool.** Distractions can cause you to lose control.

2. Electrical safety

- a. **Power tool plugs must match the outlet. Never modify the plug in any way. Do not use any adapter plugs with earthed (grounded) power tools.** Unmodified plugs and matching outlets will reduce risk of electric shock.
- b. **Avoid body contact with earthed or grounded surfaces such as pipes, radiators, ranges and refrigerators.** There is an increased risk of electric shock if your body is earthed or grounded.
- c. **Do not expose power tools to rain or wet conditions.** Water entering a power tool will increase the risk of electric shock.
- d. **Do not abuse the cord. Never use the cord for carrying, pulling or unplugging the power tool. Keep cord away from heat, oil, sharp edges or moving parts.** Damaged or entangled cords increase the risk of electric shock.
- e. **When operating a power tool outdoors, use an extension cord suitable for outdoor use.** Use of a cord suitable for outdoor use reduces the risk of electric shock.
- f. **If operating a power tool in a damp location is unavoidable, use a residual current device (RCD) protected supply.** Use of an RCD reduces the risk of electric shock.

3. Personal safety

- a. **Stay alert, watch what you are doing and use common sense when operating a power tool. Do not use a power tool while you are tired or under the influence of drugs, alcohol or medication.** A moment of inattention while operating power tools may result in serious personal injury.
 - b. **Use personal protective equipment. Always wear eye protection.** Protective equipment such as dust mask, non-skid safety shoes, hard hat, or hearing protection used for appropriate conditions will reduce personal injuries.
 - c. **Prevent unintentional starting. Ensure the switch is in the off-position before connecting to power source and/or battery pack, picking up or carrying the tool.** Carrying power tools with your finger on the switch or energising power tools that have the switch on invites accidents.
 - d. **Remove any adjusting key or wrench before turning the power tool on.** A wrench or a key left attached to a rotating part of the power tool may result in personal injury.
 - e. **Do not overreach. Keep proper footing and balance at all times.** This enables better control of the power tool in unexpected situations.
 - f. **Dress properly. Do not wear loose clothing or jewellery. Keep your hair, clothing and gloves away from moving parts.** Loose clothes, jewellery or long hair can be caught in moving parts.
 - g. **If devices are provided for the connection of dust extraction and collection facilities, ensure these are connected and properly used.** Use of dust collection can reduce dust-related hazards.
- #### 4. Power tool use and care
- a. **Do not force the power tool. Use the correct power tool for your application.** The correct power tool will do the job better and safer at the rate for which it was designed.
 - b. **Do not use the power tool if the switch does not turn it on and off.** Any power tool that cannot be controlled with the switch is dangerous and must be repaired.
 - c. **Disconnect the plug from the power source and/or the battery pack from the power tool before making any adjustments, changing accessories, or storing power tools.** Such preventive safety measures reduce the risk of starting the power tool accidentally.
 - d. **Store idle power tools out of the reach of children and do not allow persons unfamiliar with the power tool or these instructions to operate the power tool.** Power tools are dangerous in the hands of untrained users.

- e. **Maintain power tools.** Check for misalignment or binding of moving parts, breakage of parts and any other condition that may affect the power tools operation. If damaged, have the power tool repaired before use. Many accidents are caused by poorly maintained power tools.
- f. **Keep cutting tools sharp and clean.** Properly maintained cutting tools with sharp cutting edges are less likely to bind and are easier to control.
- g. **Use the power tool, accessories and tool bits etc. in accordance with these instructions, taking into account the working conditions and the work to be performed.** Use of the power tool for operations different from those intended could result in a hazardous situation.
5. Service
- a. **Have your power tool serviced by a qualified repair person using only identical replacement parts.** This will ensure that the safety of the power tool is maintained.

Additional power tool safety warnings



Warning! Additional safety instructions for heat guns.

Warning: Do not use outdoors, indoor use only.

Warning: This appliance must be placed on its stand when not in use.

Warning: A fire may result if the appliance is not used with care, therefore be careful when using the appliance in places where there are combustible materials.

- ◆ Do not apply heat to the same place for a long time.
- ◆ Do not use in presence of an explosive atmosphere.
- ◆ Be aware that heat may be conducted to combustible materials that are out of sight.
- ◆ Place the appliance on its stand after use and allow it to cool down before storage.
- ◆ Do not leave the appliance unattended when it is switched on.
- ◆ Do not obstruct either the air intake slots or the nozzle outlet as this may cause excessive heat build up resulting in damage to the appliance.
- ◆ Do not direct the hot air flow at other people or animals.
- ◆ Do not touch the nozzle as it becomes very hot during use and remains hot for up to 30 minutes after use.
- ◆ Do not place the nozzle against any object during or immediately after use.
- ◆ Do not poke anything down the nozzle as it could give you an electric shock.
- ◆ Do not look down the nozzle while the appliance is switched on.
- ◆ Do not use the appliance as a hair dryer! The air temperature is far higher than a hardware.

- ◆ Ensure adequate ventilation during use as toxic fumes may be produced.
- ◆ Do not use the appliance in a damp atmosphere.
- ◆ When stripping paint, ensure that the work area is enclosed. Wear a dust mask specifically designed for protection against lead paint dust and fumes and ensure that persons within or entering the work area are also protected.
- ◆ Do not burn paint, as it could cause a fire hazard.
- ◆ Do not allow paint to adhere to the nozzle as it could ignite after some time.
- ◆ Switch off the appliance and allow it to cool before fitting any accessory.

Stripping lead-based paint

- ◆ Extreme care should be taken when stripping paint. The peelings, residue and vapours of paint may contain lead, which is poisonous. Any pre-1960 building may in the past have been painted with paint containing lead. This paint may be covered with additional layers of paint. Once deposited on surfaces, hand to mouth contact can result in the ingestion of lead.
- ◆ Exposures to even low levels of lead can cause irreversible brain and nervous system damage. The greatest danger of lead poisoning is to children and pregnant women.
- ◆ Before starting work, it is important to determine whether the paint to be stripped contains lead. This can be done using a test kit or by a professional decorator. Do not smoke, eat or drink in a work area that could or may be contaminated by lead. Lead based paints should only be removed by a professional and should not be removed using a heat gun.

Safety of others

- ◆ This appliance is not intended for use by persons (including children) with reduced physical, sensory or mental capabilities, or lack of experience and knowledge, unless they have been given supervision or instruction concerning use of the appliance by a person responsible for their safety.
- ◆ Children should be supervised to ensure that they do not play with the appliance.

Residual risks.

Additional residual risks may arise when using the tool which may not be included in the enclosed safety warnings. These risks can arise from misuse, prolonged use etc. Even with the application of the relevant safety regulations and the implementation of safety devices, certain residual risks can not be avoided. These include:

- ◆ Injuries caused by touching any rotating/moving parts.
- ◆ Injuries caused when changing any parts, blades or accessories.
- ◆ Injuries caused by prolonged use of a tool. When using any tool for prolonged periods ensure you take regular breaks.
- ◆ Impairment of hearing.
- ◆ Health hazards caused by breathing dust developed when using your tool (example:- working with wood, especially oak, beech and MDF.)

Labels on tool

The following pictograms are shown on the tool:



Warning! To reduce the risk of injury, the user must read the instruction manual.

Electrical safety



This tool is double insulated; therefore no earth wire is required. Always check that the power supply corresponds to the voltage on the rating plate.

- ◆ If the supply cord is damaged, it must be replaced by the manufacturer or an authorised Black & Decker Service Centre in order to avoid a hazard.

Extension cables

- ◆ A 2 or 3 core cable may be used as the appliance is double insulated and of class II construction.
- ◆ Up to 30m (100 ft) can be used without loss of power.

Features

This tool includes some or all of the following features.

1. On/off switch
2. Nozzle

Assembly

Warning! Before assembly, make sure that the tool is switched off and unplugged.

Fitting an accessory

A selected range of accessories can be obtained from your local retailer.

- **Cone nozzle:** Concentrates the air stream on a smaller area.
- **Fish tail:** Spreads the air stream over a wider area
- **Spoon reflector:** For soldering pipes.
- **Glass protector:** For the protection of glass during paint stripping.
- **Scraper:** For the removal and stripping paint and varnish.

- ◆ Fit the connecting piece of the accessory over the nozzle (2).

Use

Switching on and off

- ◆ To switch the tool on at the low air speed, low heat, set the on/off switch to position I.
- ◆ To switch the tool on at the high air speed, high heat, set the on/off switch to position II.
- ◆ To switch the tool off, set the on/off switch to position O.

Using the tool

Your tool is fitted with a thermostat for your safety. Using the tool continuously for very long periods or other severe duty cycles may cause the tool to overheat and stop working. It is therefore recommended that you allow the tool to cool down at regular intervals during use.

- ◆ Allow the tool to heat up for a few seconds before use.
- ◆ At first use some smoke may emit from the nozzle. This is normal and will soon decrease.
- ◆ Use a low temperature setting for drying paint and varnish, removing stickers, shrinking insulation tubes, and thawing frozen pipes.
- ◆ Use a high temperature setting for removing paints and lacquers, and soldering plumbing joints.
- ◆ If you are unsure about using this tool on a particular material, start with a low temperature setting and perform a test on scrap material.

Hands free use (fig. A)

The tool has stand locations (3) to facilitate hands free use.

- ◆ Place the tool with the nozzle up on a surface where it cannot be tipped over.
- ◆ Secure the cable to prevent pulling the tool over.

Warning! Always point the tool away from yourself or other persons. Do not touch the nozzle. Take care that no material drops into the nozzle.

Paint stripping

- ◆ Direct the hot air at the working area to heat up the paint.
- ◆ Do not burn the paint. Keep the nozzle at least 25 mm from the surface.
- ◆ When the paint softens, remove the paint using a scraper. Scrape the softened paint immediately or it will harden again.
- ◆ Scrape with the grain of the wood wherever possible.
- ◆ Do not allow paint and debris to collect on the scraper.
- ◆ When scraping from a vertical position, scrape downwards to prevent the paint from falling back into the nozzle.
- ◆ When stripping paint from a surface next to glass, take the necessary measures to protect the glass from the heat.

Warning! Use a glass protector nozzle when stripping paint from metal or wood framed windows.

- ◆ Dispose of all paint debris safely and make sure that the work area is thoroughly clean after use.

Cooling down

During use, the nozzle of the tool becomes extremely hot. After switching off, leave the tool to cool down for at least 30 minutes.

- ◆ Place the tool with the nozzle up on a surface where it cannot be tipped over.
- ◆ To speed up the cooling time, run the tool on a low minimum temperature setting for a few minutes before switching off.

Maintenance

Your Black & Decker appliance has been designed to operate over a long period of time with a minimum of maintenance. Continuous satisfactory operation depends upon proper care and regular cleaning of the appliance.

Warning! Switch off and unplug the appliance and allow it to cool down before doing any maintenance on the appliance.

- ◆ Regularly clean the ventilation slots in your appliance using a soft brush or dry cloth.
- ◆ To clean the appliance, use only mild soap and a damp cloth. Do not use any abrasive or solvent-based cleaner. Never let any liquid get inside the appliance and never immerse any part of the appliance into liquid.

Mains plug replacement (U.K. & Ireland only)

If a new mains plug needs to be fitted:

- ◆ Safely dispose of the old plug.
- ◆ Connect the brown lead to the live terminal in the new plug.
- ◆ Connect the blue lead to the neutral terminal.

Warning! No connection is to be made to the earth terminal. Follow the fitting instructions supplied with good quality plugs. Recommended fuse: 13 A.

Protecting the environment



Separate collection. This product must not be disposed of with normal household waste.

Should you find one day that your Black & Decker product needs replacement, or if it is of no further use to you, do not dispose of it with household waste. Make this product available for separate collection.



Separate collection of used products and packaging allows materials to be recycled and used again. Re-use of recycled materials helps prevent environmental pollution and reduces the demand for raw materials.

Local regulations may provide for separate collection of electrical products from the household, at municipal waste sites or by the retailer when you purchase a new product.

Black & Decker provides a facility for the collection and recycling of Black & Decker products once they have reached the end of their working life. To take advantage of this service please return your product to any authorised repair agent who will collect them on our behalf.

You can check the location of your nearest authorised repair agent by contacting your local Black & Decker office at the address indicated in this manual. Alternatively, a list of authorised Black & Decker repair agents and full details of our after-sales service and contacts are available on the Internet at: www.2helpU.com

Technical data

		KX1650 (Type 1)
Input voltage	V _{ac}	230
Construction		Class II
Power input	W	1750
Temperature range	°C	460 - 600
Weight	kg	0.6

Guarantee

Black & Decker is confident of the quality of its products and offers an outstanding guarantee. This guarantee statement is in addition to and in no way prejudices your statutory rights. The guarantee is valid within the territories of the Member States of the European Union and the European Free Trade Area.

If a Black & Decker product becomes defective due to faulty materials, workmanship or lack of conformity, within 24 months from the date of purchase, Black & Decker guarantees to replace defective parts, repair products subjected to fair wear and tear or replace such products to ensure minimum inconvenience to the customer unless:

- ◆ The product has been used for trade, professional or hire purposes;
- ◆ The product has been subjected to misuse or neglect;
- ◆ The product has sustained damage through foreign objects, substances or accidents;
- ◆ Repairs have been attempted by persons other than authorised repair agents or Black & Decker service staff.

To claim on the guarantee, you will need to submit proof of purchase to the seller or an authorised repair agent. You can check the location of your nearest authorised repair agent by contacting your local Black & Decker office at the address indicated in this manual. Alternatively, a list of authorised Black & Decker repair agents and full details of our after-sales service and contacts are available on the Internet at: www.2helpU.com

Please visit our website www.blackanddecker.co.uk to register your new Black & Decker product and to be kept up to date on new products and special offers. Further information on the Black & Decker brand and our range of products is available at www.blackanddecker.co.uk

ENGLISH

Do not forget to register your product!

www.blackanddecker.co.uk/productregistration

Register your product online at www.blackanddecker.co.uk/productregistration or send your name, surname and product code to Black & Decker in your country.

Australia

Black & Decker (Australia) Pty. Ltd.
20 Fletcher Road, Mooroolbark,
Victoria, 3138

Tel. 03-8720 5100
Fax 03-9727 5940

New Zealand

Black & Decker
5 Te Apunga Place
Mt Wellington
Auckland 1060

Tel. +64 9 259 1133
Fax +64 9 259 1122

United Kingdom

Black & Decker
210 Bath Road
Slough, Berkshire SL1 3YD

Tel. 01753 511234
Fax 01753 551155
Helpline 01753 574277