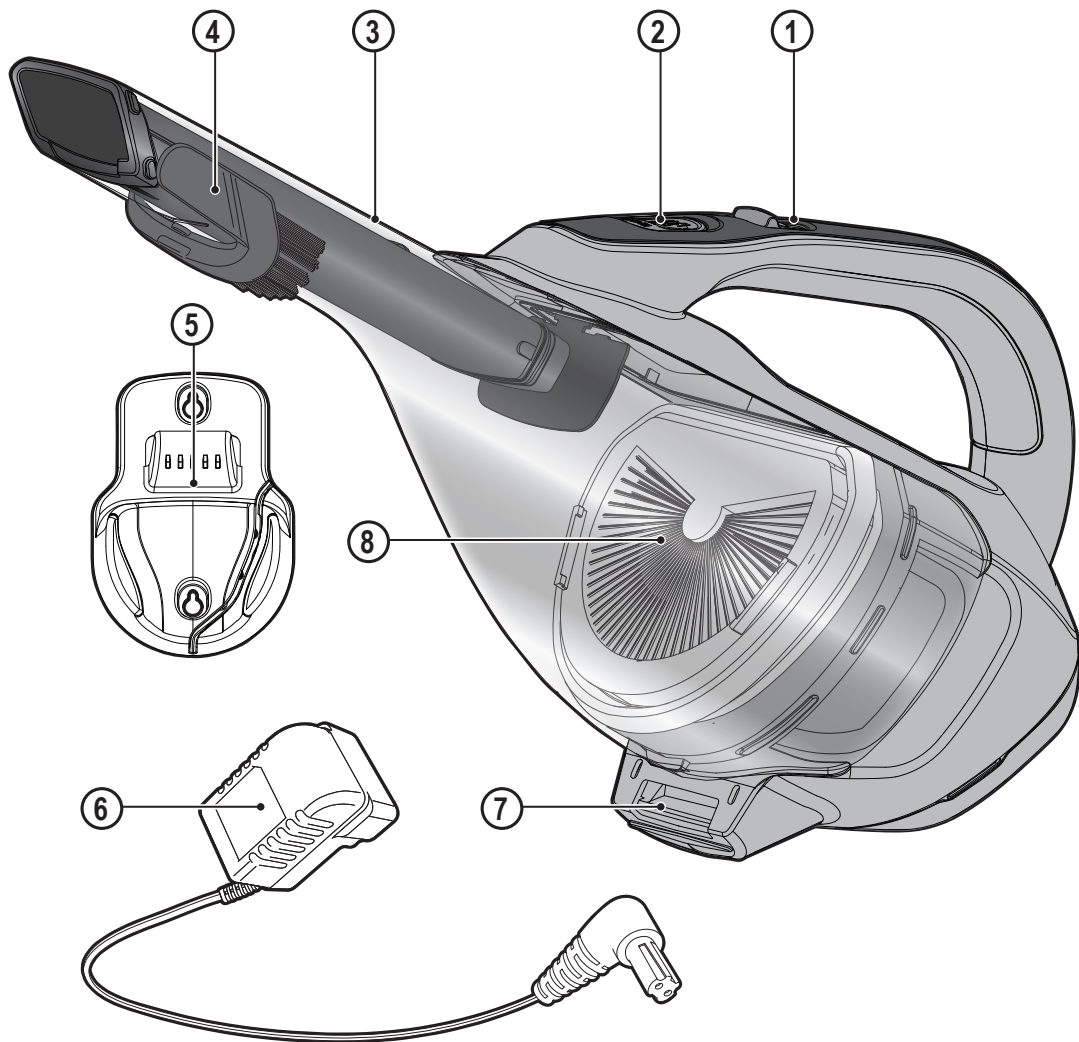
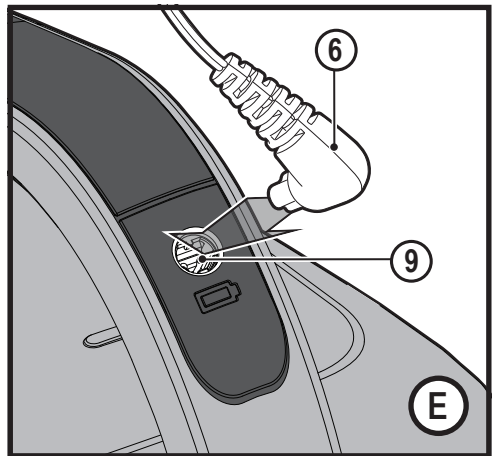
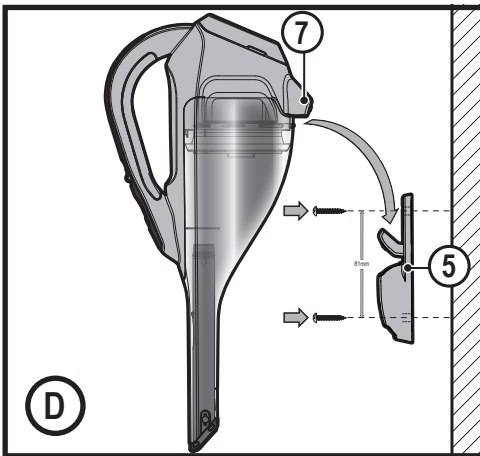
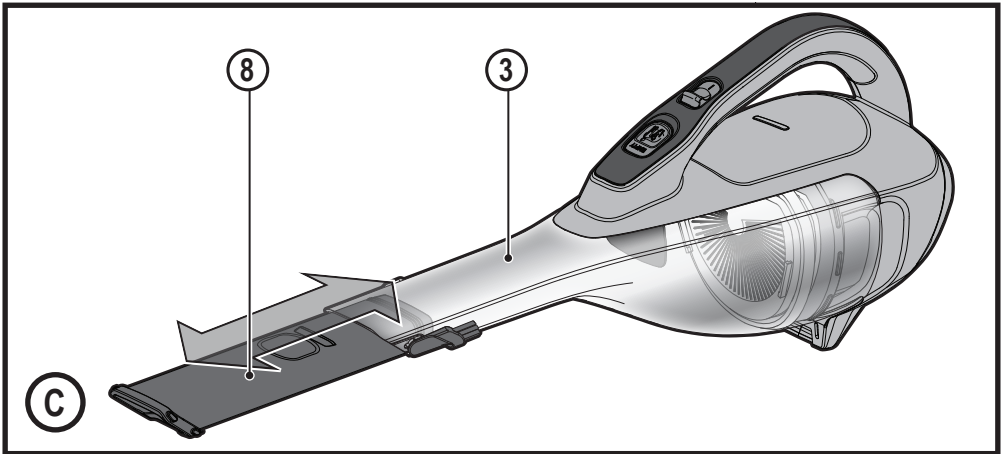
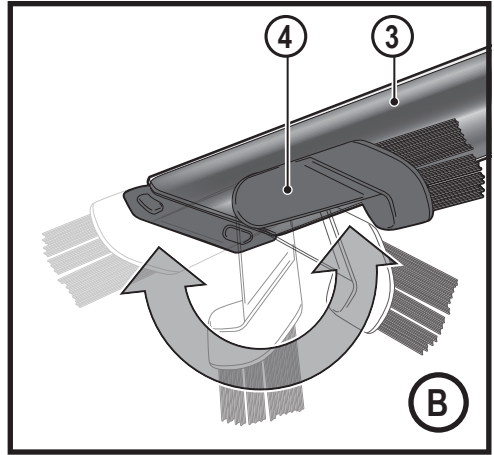
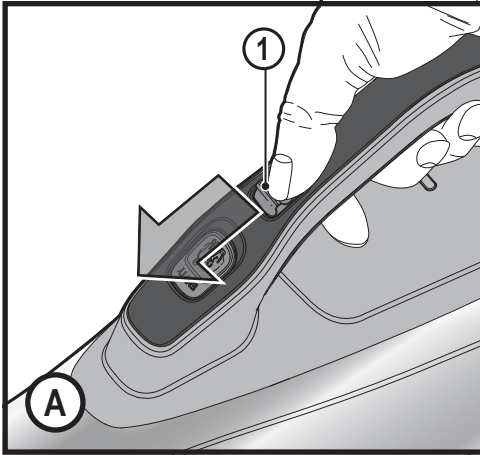


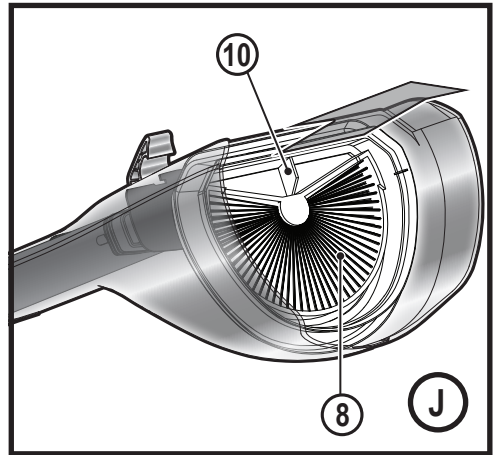
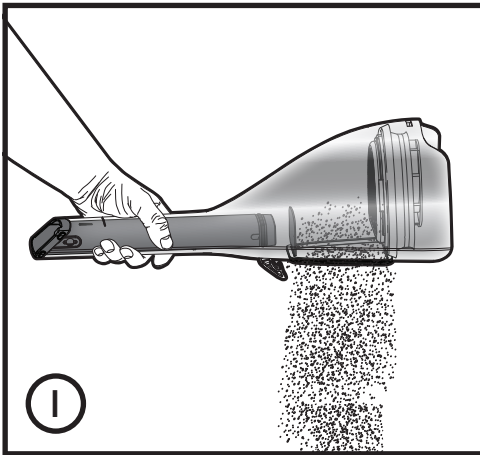
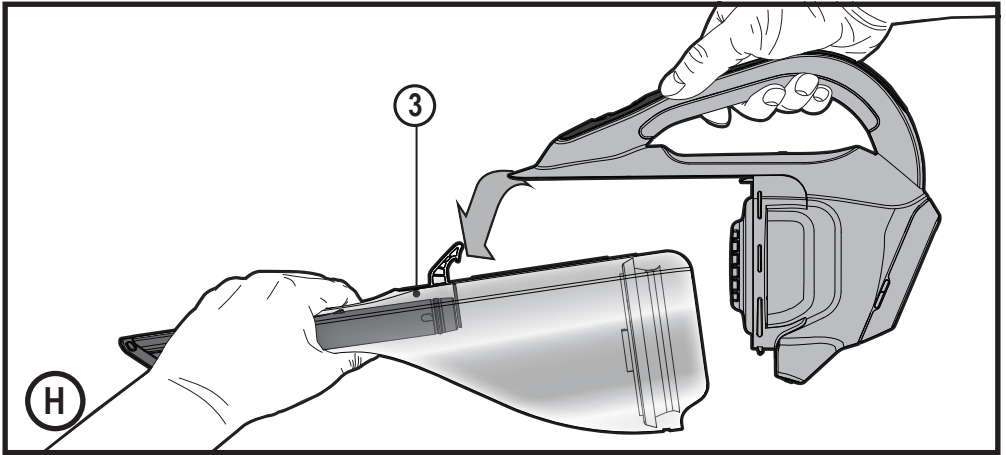
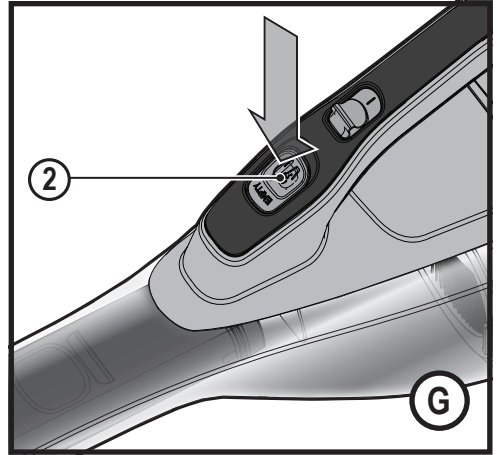
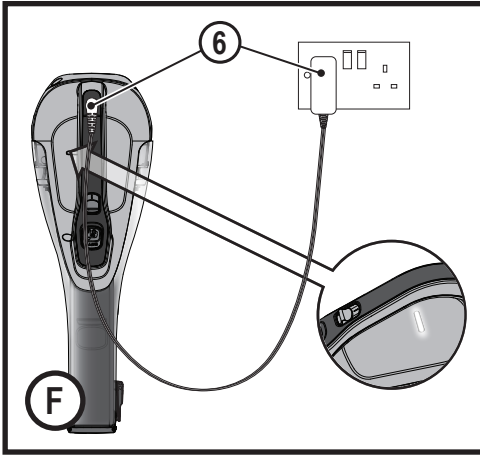
BLACK+ DECKER™

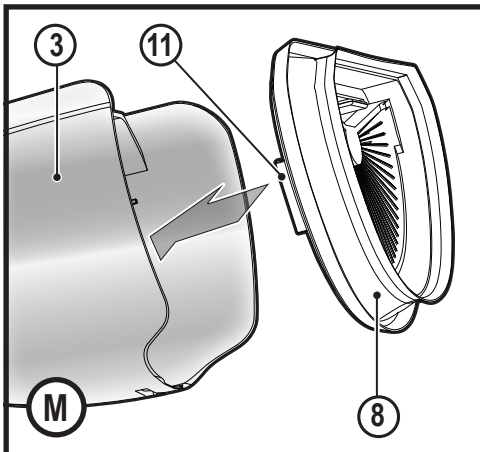
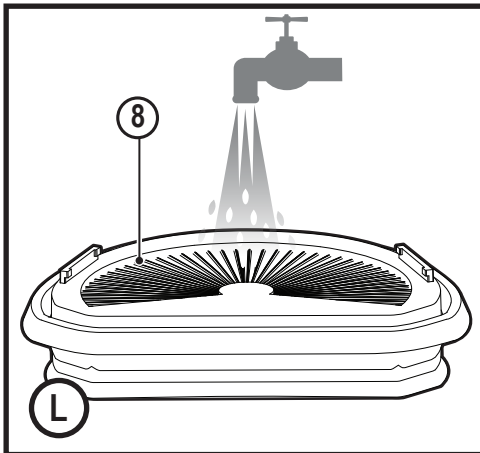
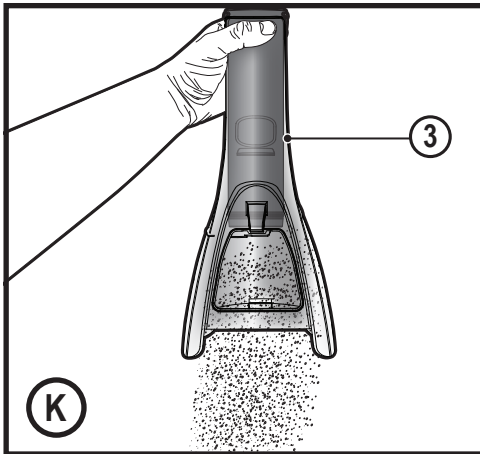


www.blackanddecker.co.uk

DVA315J
DVA320J







Intended use

Your BLACK+DECKER DVJ315J and DVJ320J Dustbuster® hand-held vacuum cleaners have been designed for vacuum cleaning purposes. These appliances are intended for household use only.



Read all of this manual carefully before operating the appliance.

Safety instructions



Warning! Read all safety warnings and all instructions.

Failure to follow the warnings and instructions listed below may result in electric shock, fire and/or serious injury.

- ◆ The intended use is described in this manual. The use of any accessory or attachment or the performance of any operation with this appliance other than those recommended in this instruction manual may present a risk of personal injury.
- ◆ Retain this manual for future reference.

Using your appliance

- ◆ Do not use the appliance to pick up liquids or any materials that could catch fire.
- ◆ Do not use the appliance near water.
- ◆ Do not immerse the appliance in water.
- ◆ Never pull the charger lead to disconnect the charger from the socket. Keep the charger lead away from heat, oil and sharp edges.

- ◆ This appliance can be used by children aged from 8 years and above and persons with reduced physical, sensory or mental capabilities or lack of experience and knowledge if they have been given supervision or instruction concerning use of the appliance in a safe way and understand the hazards involved. Children shall not play with the appliance. Cleaning and user maintenance shall not be made by children without supervision.

Inspection and repairs

Before use, check the appliance for damaged or defective parts.

Check for breakage of parts, damage to switches and any other conditions that may affect its operation.

- ◆ Do not use the appliance if any part is damaged or defective.
- ◆ Have any damaged or defective parts repaired or replaced by an authorized repair agent.
- ◆ Regularly check the charger lead for damage. Replace the charger if the lead is damaged or defective.
- ◆ Never attempt to remove or replace any parts other than those specified in this manual.

Additional safety instructions

After use

- ◆ Unplug the charger before cleaning the charger or charging base.
- ◆ When not in use, the appliance should be stored in a dry place.

- ◆ Children should not have access to stored appliances.

Residual risks

Additional residual risks may arise when using the tool which may not be included in the enclosed safety warnings. These risks can arise from misuse, prolonged use etc.

Even with the application of the relevant safety regulations and the implementation of safety devices, certain residual risks can not be avoided. These include:

- ◆ Injuries caused by touching any rotating/moving parts.
- ◆ Injuries caused when changing any parts, blades or accessories.
- ◆ Injuries caused by prolonged use of a tool. When using any tool for prolonged periods ensure you take regular breaks.
- ◆ Impairment of hearing.
- ◆ Health hazards caused by breathing dust developed when using your tool (example:- working with wood, especially oak, beech and MDF.)

Chargers

Your charger has been designed for a specific voltage. Always check that the mains voltage corresponds to the voltage on the rating plate.

Warning! Never attempt to replace the charger unit with a regular mains plug.


- ◆ Use your BLACK+DECKER charger only to charge the battery in the appliance with which it was supplied.


Other batteries could burst, causing personal injury and damage.


- ◆ Never attempt to charge non-rechargeable batteries.
- ◆ If the supply cord is damaged, it must be replaced by the manufacturer or an authorised BLACK+DECKER Service Centre in order to avoid a hazard.
- ◆ Do not expose the charger to water.
- ◆ Do not open the charger.
- ◆ Do not probe the charger.
- ◆ The appliance/battery must be placed in a well ventilated area when charging.

Electrical safety

Symbols on the charger


 Read all of this manual carefully before using the appliance.


 This tool is double insulated; therefore no earth wire is required. Always check that the power supply corresponds to the voltage on the rating plate.

 The charger is intended for indoor use only.

Labels on appliance

The following symbols appear on this appliance along with the date code.

 Read all of this manual carefully before using the appliance

 Only use with charger S003AQ-15

Features

This tool includes some or all of the following features.

1. On/off power switch
2. Dust chamber release button
3. Dust chamber
4. Flip down brush
5. Wall bracket
6. Charger
7. Hanging attachment

Use

Switching on and off (Fig. A)

- ◆ Push the On/off power switch (1) to the forward position to turn on the unit.
- ◆ Returning the On/off power (1) switch will turn the unit off.

Flip down brush (Fig. B)

- ◆ Flip the brush attachment (4) into position as shown in figure B.

Using the pull out crevice tool (Fig. C)

- ◆ Extend the crevice tool (8) as shown in figure C, until it clicks in place.

Note: The flip down brush (4) can only be utilised when the crevice tool is in the retracted position.

Fitting the wall bracket (Fig. D)

- ◆ Fit the wall bracket (5) to a suitable wall (preferably near a power outlet) using the screws provided.
- ◆ The unit can then be stored, when not in use, or during the charging procedure, utilising the hanging attachment (7).

Charging (Fig. E, F)

- ◆ Place the charger (6) into the charging port (9) on the handle of the unit as shown in figure E.
- ◆ Place the charging plug into a power outlet and switch on as shown in figure F. The charger LED will light.

Cleaning the filters (Fig. G, H, I, J, K)

- ◆ Press the dust chamber release button (2) as shown in figure G.
- ◆ Separate the dust chamber (3) from the motor unit as shown in figure F.
- ◆ You can use the easy empty feature as shown in figure I.
- ◆ Lift the filter (8) out of the dust chamber (3) using the tab (10) provided.
- ◆ Empty the dust bowl (3) by lightly shaking over a suitable container as shown in figure K.
- ◆ Rinse out the dust-bowl with warm soapy water.
- ◆ Wash the filters with warm soapy water as shown in figure L.
- ◆ Allow the filters to dry naturally, using heat may cause the filters to distort.
- ◆ Refit the filter (8) into dust chamber (3). Make sure the filter tabs (11) face forward. **Never place the filters into the dust chamber backwards.**
- ◆ Replace the dust chamber onto the motor unit. Make sure the release button (2) clicks into place.

Warning! Before performing any maintenance or cleaning on the appliance, unplug the appliance.

From time to time wipe the appliance with a damp cloth. Do not use any abrasive or solvent-based cleaner. Do not immerse the appliance in water

Maintenance

Your BLACK+DECKER cordless appliance has been designed to operate over a long period of time with a minimum of maintenance. Continuous satisfactory operation depends upon proper tool care and regular cleaning.

Warning! Before performing any maintenance on cordless appliances:

- ◆ Run the battery down completely if it is integral and then switch off.
- ◆ Unplug the charger before cleaning it. Your charger does not require any maintenance apart from regular cleaning.
- ◆ Regularly clean the ventilation slots in your appliance/charger using a soft brush or dry cloth.
- ◆ Regularly clean the motor housing using a damp cloth. Do not use any abrasive or solvent-based cleaner.

Replacing the filters

The filters should be replaced every 6 to 9 months and whenever worn or damaged. Replacement filters are available from your BLACK+DECKER dealer ([cat. noVPF20](#))

- ◆ Remove the old filters as described above.
- ◆ Fit the new filters as described above.

Protecting the environment



Separate collection. Products and batteries marked with this symbol must not be disposed of with normal household waste.

Products and batteries contain materials that can be recovered or recycled reducing the demand for raw materials. Please recycle electrical products and batteries according to local provisions. Further information is available at www.2helpU.com

Technical Data

	DVA315J	DVA320J
Voltage	10.8V	10.8V
Current	1.5Ah	2.0Ah
Watt Hours	16.2Wh	21.6Wh
Weight	0.9Kg	0.9Kg

Guarantee

Black & Decker is confident of the quality of its products and offers consumers a 24 month guarantee from the date of purchase. This guarantee is in addition to and in no way prejudices your statutory rights.

The guarantee is valid within the territories of the Member States of the European Union and the European Free Trade Area.

To claim on the guarantee, the claim must be in accordance with Black&Decker Terms and Conditions and you will need to submit proof of purchase to the seller or an authorised repair agent. Terms and conditions of the Black&Decker 2 year guarantee and the location of your nearest authorised repair agent can be obtained on the Internet at www.2helpU.com, or by contacting your local Black & Decker office at the address indicated in this manual.

Please visit our website www.blackanddecker.co.uk to register your new Black & Decker product and receive updates on new products and special offers.

Australia	Black & Decker (Australia) Pty. Ltd. 20 Fletcher Road, Mooroolbark, Victoria, 3138	Tel. Fax	03-8720 5100 03-9727 5940
New Zealand	Black & Decker 5 Te Apunga Place Mt Wellington Auckland 1060	Tel. Fax	+64 9 259 1133 +64 9 259 1122
United Kingdom & Republic Of Ireland www.blackanddecker.co.uk emeaservice@sbdinc.com	Black & Decker 210 Bath Road Slough, Berkshire SL1 3YD	Tel. Fax	01753 511234 01753 512365
