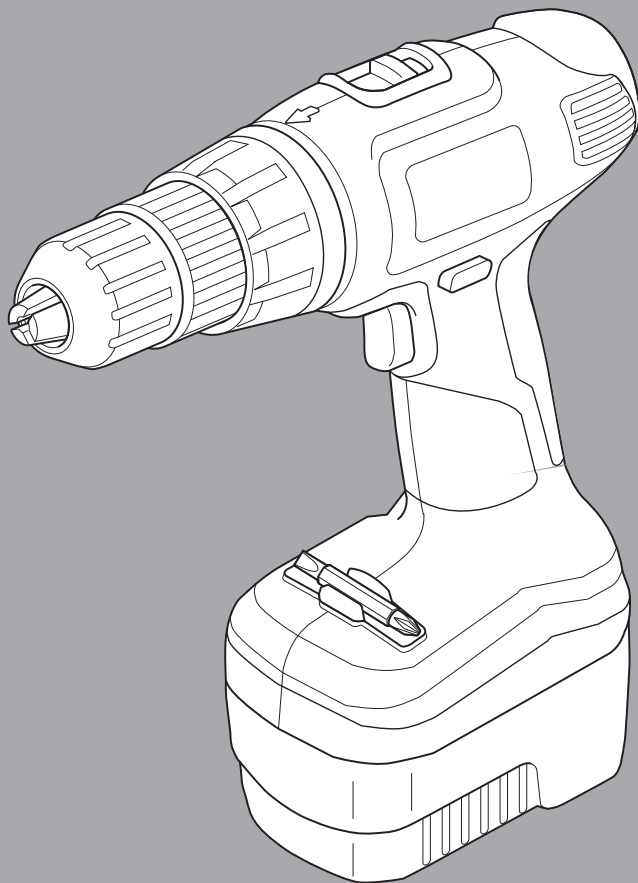


**PRO  
LINE**

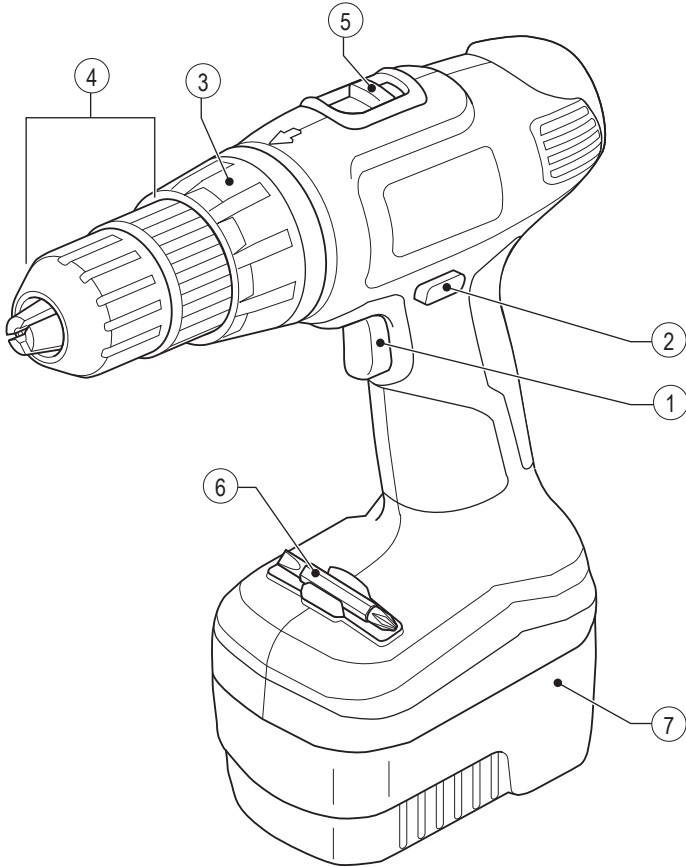


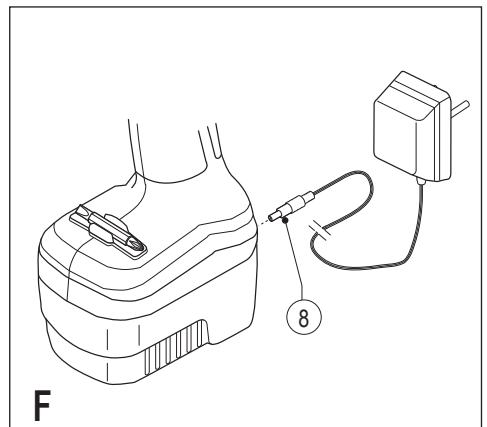
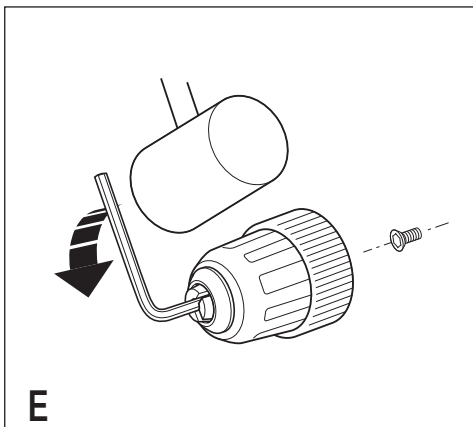
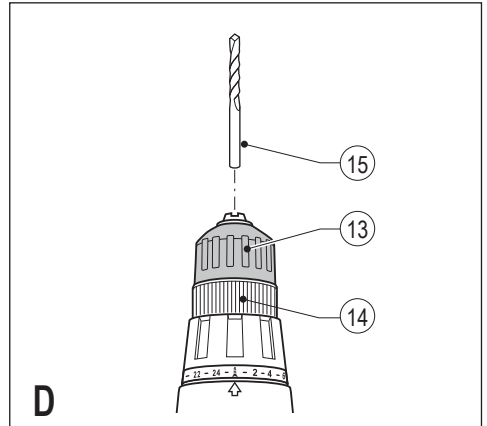
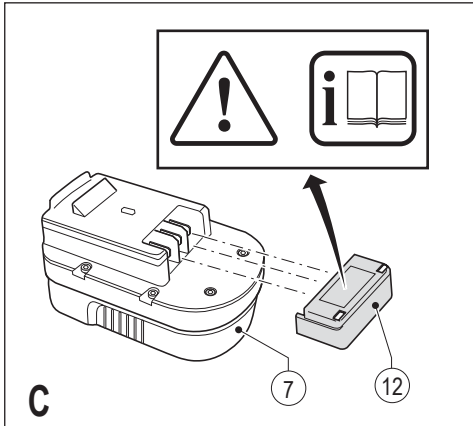
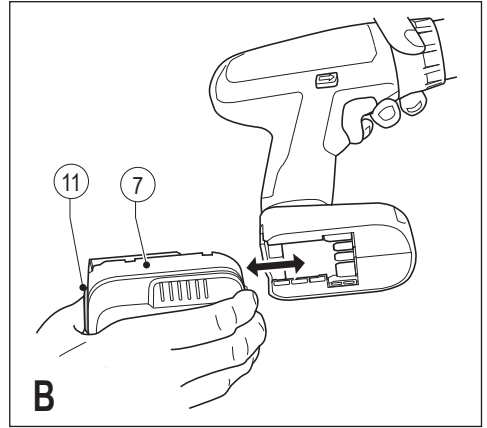
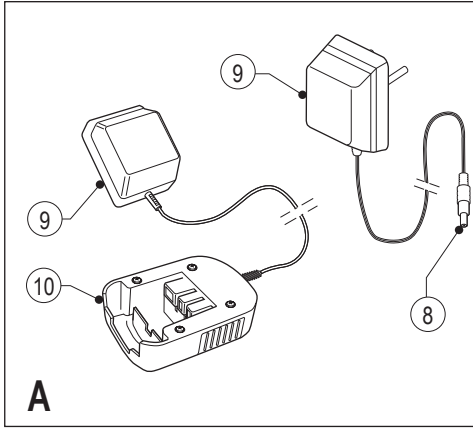
**BLACK&DECKER®**

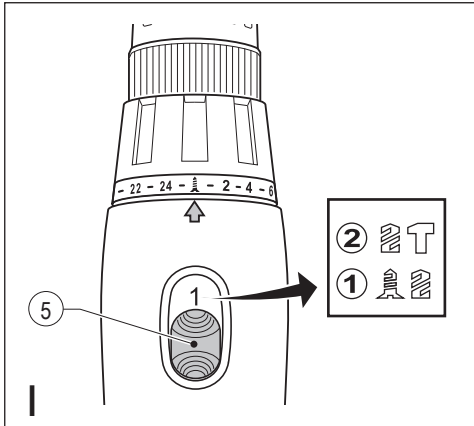
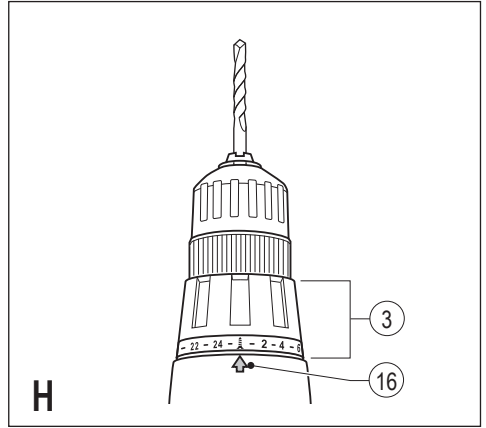
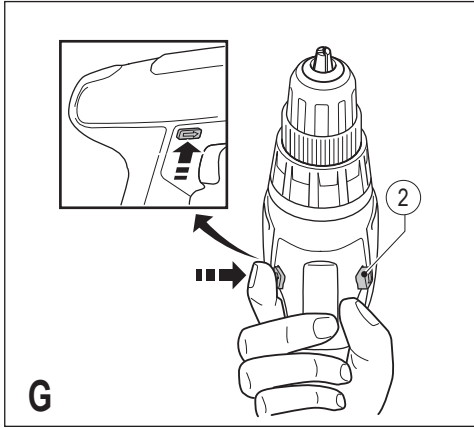


**BPCD120**  
**BPCD120KB**  
**BPCD180**  
**BPCD180KB**

[www.blackanddecker.ae](http://www.blackanddecker.ae)







## Intended use

Your Black & Decker drill/screwdriver BPCD120, BPCD120KB / BPCD180, BPCD180KB has been designed for screwdriving applications and for drilling in wood, metal, plastics and soft masonry. This tool is intended for consumer use only.

## Safety instructions

### General power tool safety warnings



**Warning! Read all safety warnings and all instructions.** Failure to follow the warnings and instructions listed below may result in electric

shock, fire and/or serious injury.

### Save all warnings and instructions for future reference.

The term "power tool" in all of the warnings listed below refers to your mains operated (corded) power tool or battery operated (cordless) power tool.

1. **Work area safety**
    - a. **Keep work area clean and well lit.** Cluttered or dark areas invite accidents.
    - b. **Do not operate power tools in explosive atmospheres, such as in the presence of flammable liquids, gases or dust.** Power tools create sparks which may ignite the dust or fumes.
    - c. **Keep children and bystanders away while operating a power tool.** Distractions can cause you to lose control.
  2. **Electrical safety**
    - a. **Power tool plugs must match the outlet. Never modify the plug in any way. Do not use any adapter plugs with earthed (grounded) power tools.** Unmodified plugs and matching outlets will reduce risk of electric shock.
    - b. **Avoid body contact with earthed or grounded surfaces such as pipes, radiators, ranges and refrigerators.** There is an increased risk of electric shock if your body is earthed or grounded.
    - c. **Do not expose power tools to rain or wet conditions.** Water entering a power tool will increase the risk of electric shock.
  - d. **Do not abuse the cord. Never use the cord for carrying, pulling or unplugging the power tool. Keep cord away from heat, oil, sharp edges or moving parts.** Damaged or entangled cords increase the risk of electric shock.
  - e. **When operating a power tool outdoors, use an extension cord suitable for outdoor use.** Use of a cord suitable for outdoor use reduces the risk of electric shock.
  - f. **If operating a power tool in a damp location is unavoidable, use a residual current device (RCD) protected supply.** Use of an RCD reduces the risk of electric shock.
3. **Personal safety**
    - a. **Stay alert, watch what you are doing and use common sense when operating a power tool. Do not use a power tool while you are tired or under the influence of drugs, alcohol or medication.** A moment of inattention while operating power tools may result in serious personal injury.
    - b. **Use personal protective equipment. Always wear eye protection.** Protective equipment such as dust mask, non-skid safety shoes, hard hat, or hearing protection used for appropriate conditions will reduce personal injuries.
    - c. **Prevent unintentional starting. Ensure the switch is in the off-position before connecting to power source and/or battery pack, picking up or carrying the tool.** Carrying power tools with your finger on the switch or energising power tools that have the switch on invites accidents.
    - d. **Remove any adjusting key or wrench before turning the power tool on.** A wrench or a key left attached to a rotating part of the power tool may result in personal injury.
    - e. **Do not overreach. Keep proper footing and balance at all times.** This enables better control of the power tool in unexpected situations.
    - f. **Dress properly. Do not wear loose clothing or jewellery. Keep your hair, clothing and gloves away from moving parts.** Loose clothes, jewellery or long hair can be caught in moving parts.

**g. If devices are provided for the connection of dust extraction and collection facilities, ensure these are connected and properly used.** Use of dust collection can reduce dust-related hazards.

#### 4. Power tool use and care

**a. Do not force the power tool. Use the correct power tool for your application.** The correct power tool will do the job better and safer at the rate for which it was designed.

**b. Do not use the power tool if the switch does not turn it on and off.** Any power tool that cannot be controlled with the switch is dangerous and must be repaired.

**c. Disconnect the plug from the power source and/or the battery pack from the power tool before making any adjustments, changing accessories, or storing power tools.** Such preventive safety measures reduce the risk of starting the power tool accidentally.

**d. Store idle power tools out of the reach of children and do not allow persons unfamiliar with the power tool or these instructions to operate the power tool.** Power tools are dangerous in the hands of untrained users.

**e. Maintain power tools. Check for misalignment or binding of moving parts, breakage of parts and any other condition that may affect the power tools operation. If damaged, have the power tool repaired before use.** Many accidents are caused by poorly maintained power tools.

**f. Keep cutting tools sharp and clean.** Properly maintained cutting tools with sharp cutting edges are less likely to bind and are easier to control.

**g. Use the power tool, accessories and tool bits etc. in accordance with these instructions, taking into account the working conditions and the work to be performed.** Use of the power tool for operations different from those intended could result in a hazardous situation.

#### 5. Battery tool use and care

**a. Recharge only with the charger specified by the manufacturer.** A charger that is suitable for one type of battery pack may create a risk of fire when used with another battery pack.

**b. Use power tools only with specifically designated battery packs.** Use of any other battery packs may create a risk of injury and fire.

**c. When battery pack is not in use, keep it away from other metal objects, like paper clips, coins, keys, nails, screws, or other small metal objects, that can make a connection from one terminal to another.** Shorting the battery terminals together may cause burns or a fire.

**d. Under abusive conditions, liquid may be ejected from the battery; avoid contact. If contact accidentally occurs, flush with water. If liquid contacts eyes, additionally seek medical help.** Liquid ejected from the battery may cause irritation or burns.

#### 6. Service

**a. Have your power tool serviced by a qualified repair person using only identical replacement parts.** This will ensure that the safety of the power tool is maintained.

### Additional power tool safety warnings



**Warning!** Additional safety warnings for drills and impact drills

- **Wear ear protectors with impact drills.** Exposure to noise can cause hearing loss.
- **Use auxiliary handles supplied with the tool.** Loss of control can cause personal injury.
- **Hold power tool by insulated gripping surfaces when performing an operation where the cutting accessory may contact hidden wiring or its own cord.** Cutting accessory contacting a "live" wire may make exposed metal parts of the power tool "live" and could give the operator an electric shock.
- **Use clamps or another practical way to secure and support the workpiece to a stable platform.** Holding the work by hand or against your body leaves it unstable and may lead to loss of control.
- Before drilling into walls, floors or ceilings, check for the location of wiring and pipes.
- Avoid touching the tip of a drill bit just after drilling, as it may be hot.

- This tool is not intended for use by persons (including children) with reduced physical, sensory or mental capabilities, or lack of experience and knowledge, unless they have been given supervision or instruction concerning use of the appliance by a person responsible for their safety. Children should be supervised to ensure that they do not play with the appliance.
- The intended use is described in this instruction manual. The use of any accessory or attachment or performance of any operation with this tool other than those recommended in this instruction manual may present a risk of personal injury and/or damage to property.

### Labels on tool

The following pictograms are shown on the tool:



**Warning!** To reduce the risk of injury, the user must read the instruction manual.

### Additional safety instructions for batteries and chargers

#### Batteries

- Never attempt to open for any reason.
- Do not expose the battery to water.
- Do not store in locations where the temperature may exceed 40 °C.
- Charge only at ambient temperatures between 10 °C and 40 °C.
- Charge only using the charger provided with the tool.
- When disposing of batteries, follow the instructions given in the section "Protecting the environment".



Do not attempt to charge damaged batteries.

#### Chargers

- Use your Black & Decker charger only to charge the battery in the tool with which it was supplied. Other batteries could burst, causing personal injury and damage.
- Never attempt to charge non-rechargeable batteries.
- Have defective cords replaced immediately.
- Do not expose the charger to water.
- Do not open the charger.
- Do not probe the charger.



The charger is intended for indoor use only.



Read the instruction manual before use.



The charger automatically shuts off if the ambient temperature becomes too high. The thermal cut



out operates only once and then requires complete replacement.

#### Electrical safety



Your charger is double insulated; therefore no earth wire is required. Always check that the mains voltage corresponds to the voltage on the rating plate. Never attempt to replace the charger unit with a regular mains plug.

- If the supply cord is damaged, it must be replaced by the manufacturer or an authorised Black & Decker Service Centre in order to avoid a hazard.

## Features

This tool includes some or all of the following features.

1. Variable speed switch
2. Forward/reverse slider
3. Mode selector / torque adjustment collar
4. Chuck
5. Speed selector
6. Bit holder
7. Battery

### Fig. A

8. Charger plug
9. Charger
10. Charger receptacle

## Assembly

**Warning!** Before assembly, remove the battery from the tool.

### Fitting and removing the battery (fig. B & C)

- To fit the battery (7), line it up with the receptacle on the tool. Slide the battery into the receptacle and push until the battery snaps into place.
- To remove the battery, push the release button (11) while at the same time pulling the battery out of the receptacle.

### Fitting the battery cap (fig. C)

**Warning!** Fit the cap (12) to the battery (7) for transportation and storage.

### Fitting and removing a drill bit or screwdriver bit (fig. D)

This tool is fitted with a keyless chuck to allow for an easy exchange of bits.

- Lock the tool by setting the forward/reverse slider (2) to the centre position.
- Open the chuck by turning the front part (13) with one hand while holding the rear part (14) with the other.
- Insert the bit shaft (15) into the chuck and firmly tighten the chuck.

This tool is supplied with a double-ended screwdriver bit in the bit holder (6).

- To remove the screwdriver bit from the bit holder, lift the bit from the recess.
- To store the screwdriver bit, firmly push it into the holder.

### Removing and refitting the chuck (fig. E)

- Open the chuck as far as possible.
- Remove the chuck retaining screw by turning it clockwise using a screwdriver.
- Tighten an Allen key into the chuck and strike it with a hammer as shown.
- Remove the Allen key.
- Remove the chuck by turning it counterclockwise.
- To refit the chuck, screw it onto the spindle and secure it with the chuck retaining screw.

## Residual risks

Additional residual risks may arise when using the tool which may not be included in the enclosed safety warnings. These risks can arise from misuse, prolonged use etc.

Even with the application of the relevant safety regulations and the implementation of safety devices, certain residual risks can not be avoided. These include:



- Injuries caused by touching any rotating/moving parts.
- Injuries caused when changing any parts, blades or accessories.
- Injuries caused by prolonged use of a tool. When using any tool for prolonged periods ensure you take regular breaks.
- Impairment of hearing.
- Health hazards caused by breathing dust developed when using your tool (example:- working with wood, especially oak, beech and MDF.)

## Use

**Warning!** Let the tool work at its own pace. Do not overload.

**Warning!** Before drilling into walls, floors or ceilings, check for the location of wiring and pipes.

### Charging the battery (fig. A & F)

The battery needs to be charged before first use and whenever it fails to produce sufficient power on jobs that were easily done before. When charging the battery for the first time, or after prolonged storage, it will only accept an 80% charge. After several charge and discharge cycles, the battery will attain full capacity. The battery may become warm while charging; this is normal and does not indicate a problem.

**Warning!** Do not charge the battery at ambient temperatures below 10 °C or above 40 °C. Recommended charging temperature: approx. 24 °C.

### Using the charger

- To charge the battery (7), remove it from the tool and slide the charger receptacle (10) onto the battery.
- Plug in the charger (9).

The battery will become warm while charging. After approx. 3 hours of charging, the battery will be sufficiently charged for use in regular applications. After approx. 8-10 hours of charging, the battery will be fully charged.

- Remove the charger receptacle from the battery.

### Charger with charging plug

- To charge the battery, make sure that it is fitted on the drill.
- Insert the charger plug (8) into the connector.
- Plug in the charger.
- Switch on at the mains.

After normal use, a charging time of 3 hours will provide sufficient power for most applications.

However, further charging for up to 6 hours could significantly increase the use time, depending on the battery and charging conditions.

- Disconnect the tool from the charger.

**Warning!** Do not use the tool while it is connected to the charger.


### Selecting the direction of rotation (fig. G)

For drilling and for tightening screws, use forward (clockwise) rotation. For loosening screws or removing a jammed drill bit, use reverse (counterclockwise) rotation.

- To select forward rotation, push the forward/reverse slider (2) to the left.
- To select reverse rotation, push the forward/reverse slider to the right.
- To lock the tool, set the forward/reverse slider into the centre position.

### Selecting the operating mode or torque (fig. H)

This tool is fitted with a collar to select the operating mode and to set the torque for tightening screws. Large screws and hard workpiece materials require a higher torque setting than small screws and soft workpiece materials. The collar has a wide range of settings to suit your application.

- For drilling in wood, metal and plastics, set the collar (3) to the drilling position by aligning the symbol  with the marking (16).

## ENGLISH

- For screwdriving, set the collar to the desired setting. If you do not yet know the appropriate setting, proceed as follows:
  - Set the collar (3) to the lowest torque setting.
  - Tighten the first screw.
  - If the clutch ratchets before the desired result is achieved, increase the collar setting and continue tightening the screw. Repeat until you reach the correct setting. Use this setting for the remaining screws.
- Just before the drill tip breaks through the other side of the workpiece, decrease pressure on the tool.
- Use a block of wood to back up workpieces that may splinter.
- Use spade bits when drilling large diameter holes in wood.
- Use HSS drill bits when drilling in metal.
- Use masonry bits when drilling in soft masonry.
- Use a lubricant when drilling metals other than cast iron and brass.

### Drilling in masonry (fig. H & I)

- For drilling in masonry, set the collar (3) to the hammer drilling position by aligning the symbol **T** with the marking (16).
- Slide the speed selector (5) towards the front of the tool (2nd gear).
- Make an indentation using a centre punch at the centre of the hole to be drilled in order to improve accuracy.

### Screwdriving

- Always use the correct type and size of screwdriver bit.
- If screws are difficult to tighten, try applying a small amount of washing liquid or soap as a lubricant.
- Always hold the tool and screwdriver bit in a straight line with the screw.

### Speed selector (fig. I)

- For drilling in steel and for screwdriving applications, slide the speed selector (5) towards the rear of the tool (1st gear).
- For drilling in materials other than steel, slide the speed selector (5) towards the front of the tool (2nd gear).

### Maintenance

Your Black & Decker tool has been designed to operate over a long period of time with a minimum of maintenance. Continuous satisfactory operation depends upon proper tool care and regular cleaning.

Your charger does not require any maintenance apart from regular cleaning.

**Warning!** Before performing any maintenance on the tool, remove the battery from the tool. Unplug the charger before cleaning it.

### Drilling/screwdriving

- Select forward or reverse rotation using the forward/reverse slider (2).
- To switch the tool on, press the switch (1). The tool speed depends on how far you press the switch.
- To switch the tool off, release the switch.

### Hints for optimum use

#### Drilling

- Always apply a light pressure in a straight line with the drill bit.

- Regularly clean the ventilation slots in your tool and charger using a soft brush or dry cloth.
- Regularly clean the motor housing using a damp cloth. Do not use any abrasive or solvent-based cleaner.
- Regularly open the chuck and tap it to remove any dust from the interior.

## Accessories

The performance of your tool depends on the accessory used. Black & Decker accessories are engineered to high quality standards and designed to enhance the performance of your tool. By using these accessories you will get the very best from your tool.

## Batteries



Black & Decker batteries can be recharged many times. At the end of their useful life, discard batteries with due care for our environment:

- Run the battery down completely, then remove it from the tool.
- NiCd, NiMH and Li-Ion batteries are recyclable. Take them to any authorised repair agent or a local recycling station.

## Technical data

		BPCD120/ BPCD120KB	BPCD180 BPCD180KB
Voltage	VDC	12	18
No-load speed	/min	0-450/ 0-1400	0-400/ 0-1350
Max. torque	Nm	13	16
Chuck capacity	mm	10	10
<b>Max. drilling capacity</b>			
Steel/Wood	mm	10/25	10/25
Masonry	mm	10	10
<b>Battery</b>		<b>A12/A12E</b>	<b>A18/A18E</b>
Capacity	Ah	1.0	1.0
Type		NiCd	NiCd
Weight	kg	0.5	0.7
<b>Battery</b>		<b>A12NH</b>	<b>A18NH</b>
Capacity	Ah	1.5	1.5
Type		NiMH	NiMH
Weight	kg	0.6	0.9

## Charger

		90500843 90500847 90500855 90500858	90573461 90500849 90500857 90500860
Input voltage	VAC	220-240	220-240
Output voltage	VDC	14.5-15.3	21.75-22.6
Current	mA	210-220	210-230
Approx. charging time	h	8-10	8-10

## Protecting the environment



Separate collection. This product must not be disposed of with normal household waste.

Should you find one day that your Black & Decker product needs replacement, or if it is of no further use to you, do not dispose of it with household waste. Make this product available for separate collection.



Separate collection of used products and packaging allows materials to be recycled and used again. Reuse of recycled materials helps prevent environmental pollution and reduces the demand for raw materials.

Local regulations may provide for separate collection of electrical products from the household, at municipal waste sites or by the retailer when you purchase a new product.

Black & Decker provides a facility for the collection and recycling of Black & Decker products once they have reached the end of their working life. To take advantage of this service please return your product to any authorised repair agent who will collect them on our behalf.

You can check the location of your nearest authorised repair agent by contacting your local Black & Decker office at the address indicated in this manual. Alternatively, a list of authorised Black & Decker repair agents and full details of our after-sales service and contacts are available on the Internet at: [www.2helpU.com](http://www.2helpU.com).

## Guarantee

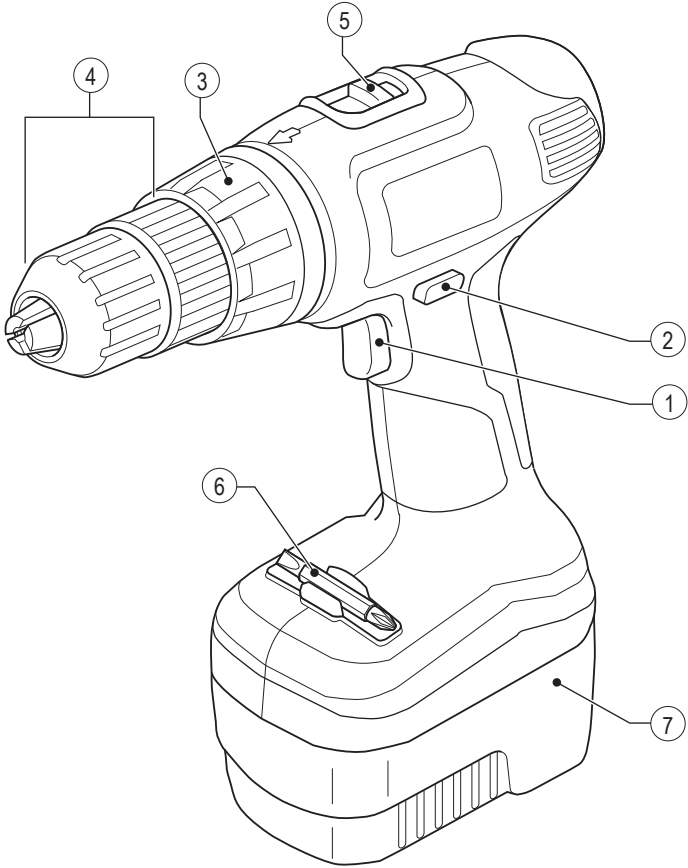
Black & Decker is confident of the quality of its products and offers an outstanding guarantee. This guarantee statement is in addition to and in no way prejudices your statutory rights. The guarantee is valid within the territories of the Member States of the European Union and the European Free Trade Area.

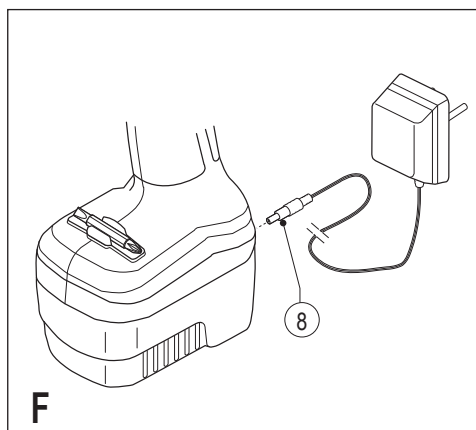
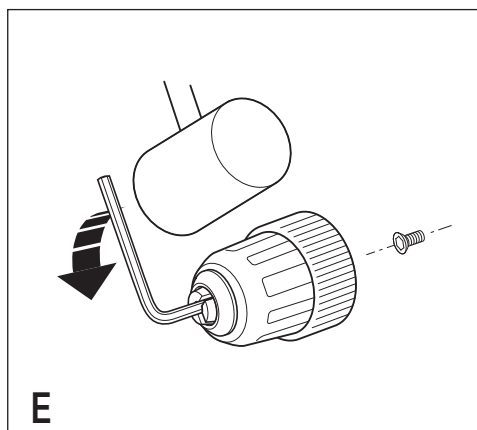
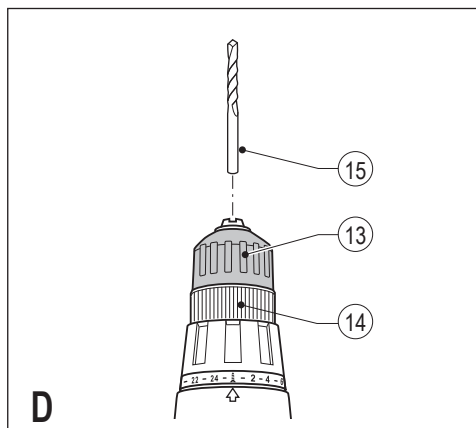
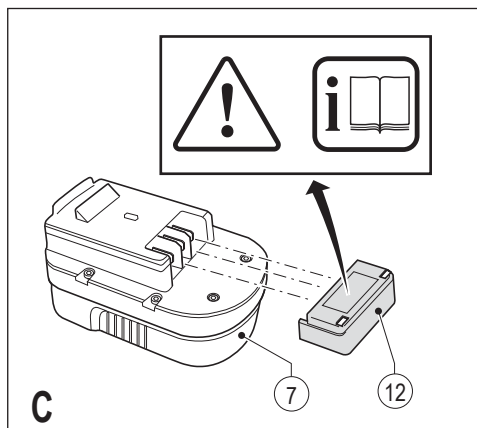
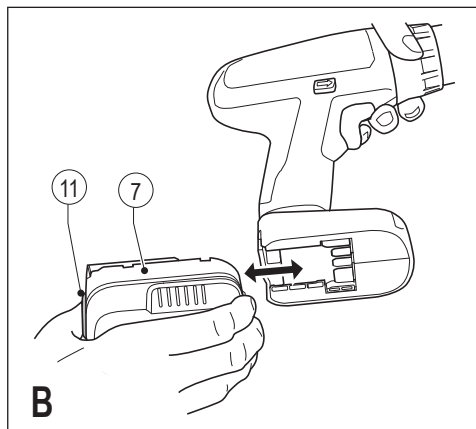
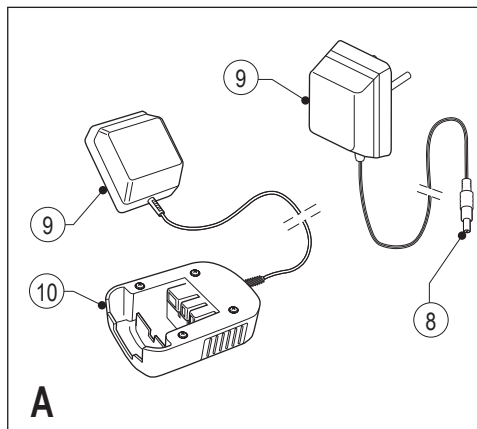
If a Black & Decker product becomes defective due to faulty materials, workmanship or lack of conformity, within 12 months from the date of purchase, Black & Decker guarantees to replace defective parts, repair products subjected to fair wear and tear or replace such products to make sure of the minimum inconvenience to the customer unless:

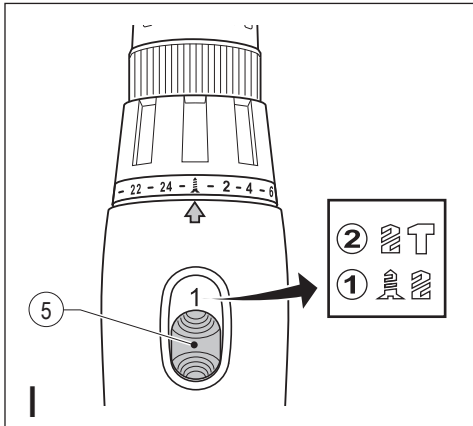
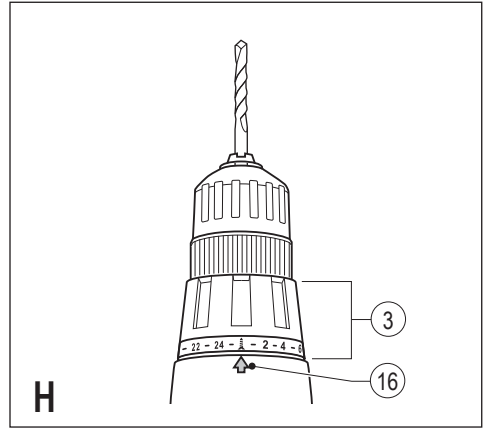
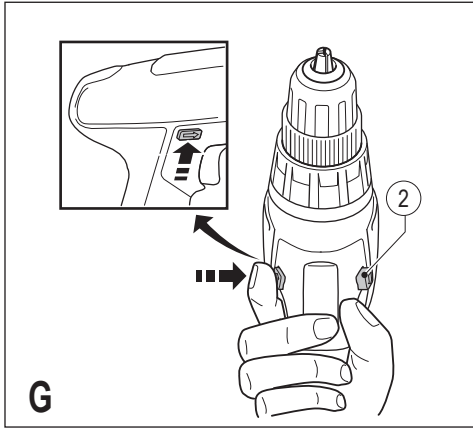
- The product has been used for trade, professional or hire purposes.
- The product has been subjected to misuse or neglect.
- The product has sustained damage through foreign objects, substances or accidents.
- Repairs have been attempted by persons other than authorised repair agents or Black & Decker service staff.

To claim on the guarantee, you will need to submit proof of purchase to the seller or an authorised repair agent. You can check the location of your nearest authorised repair agent by contacting your local Black & Decker office at the address indicated in this manual. Alternatively, a list of authorised Black & Decker repair agents and full details of our aftersales service and contacts are available on the Internet at: [www.2helpU.com](http://www.2helpU.com)

Please visit our website [www.blackanddecker.co.uk](http://www.blackanddecker.co.uk) to register your new Black & Decker product and to be kept up to date on new products and special offers. Further information on the Black & Decker brand and our range of products is available at [www.blackanddecker.co.uk](http://www.blackanddecker.co.uk).







## Utilisation prévue

Votre perceuse / tournevis Black & Decker BPCD120, BPCD120KB / BPCD180, BPCD180KB a été conçue pour la pose de vis et pour le perçage du bois, du métal, des matières plastiques et de la maçonnerie légère. Cet outil a été conçu pour une utilisation exclusivement domestique.

## Instructions de sécurité

### Consignes de sécurité générales pour les outils électriques



**Attention ! Prenez connaissance de tous les avertissements de sécurité et de toutes les instructions.** Le non-respect des avertissements et des instructions indiqués

ci-dessous peut entraîner une électrocution, un incendie ou de graves blessures.

Conservez tous les avertissements et instructions pour référence future. La notion d'« outil électroportatif » mentionnée par la suite se rapporte à des outils électriques raccordés au secteur (avec câble de raccordement) ou fonctionnant sur piles (sans fil).

#### 1. Sécurité de la zone de travail

- a. **Maintenez la zone de travail propre et bien éclairée.** Un lieu de travail en désordre ou mal éclairé augmente le risque d'accidents.
- b. **N'utilisez pas les outils électroportatifs dans un environnement présentant des risques d'explosion ni en présence de liquides, gaz ou poussières inflammables.** Les outils électroportatifs génèrent des étincelles risquant d'enflammer les poussières ou les vapeurs.
- c. **Tenez les enfants et autres personnes éloignés durant l'utilisation de l'outil électroportatif.** En cas d'inattention, vous risquez de perdre le contrôle sur l'outil.

#### 2. Sécurité électrique

- a. **La fiche de secteur de l'outil électroportatif doit convenir à la prise de courant. Ne modifiez en aucun cas la fiche. N'utilisez pas de fiches d'adaptateur avec des outils ayant une prise de terre.** Les fiches non modifiées et les prises de courant appropriées réduisent le risque d'électrocution.
- b. **Évitez le contact physique avec des surfaces mises à la terre telles que tuyaux, radiateurs, fours et réfrigérateurs.** Il y a un risque élevé d'électrocution si votre corps est relié à la terre.
- c. **N'exposez pas l'outil électroportatif à la pluie ni à l'humidité.** La pénétration d'eau dans un outil électroportatif augmente le risque d'électrocution.

d. **Préservez le câble d'alimentation. N'utilisez pas le câble à d'autres fins que celles prévues, notamment pour porter l'outil, l'accrocher voire le débrancher de la prise de courant. Maintenez le câble éloigné des sources de chaleur, des parties grasses, des bords tranchants ou des parties de l'outil en rotation.** Un câble endommagé ou enchevêtré augmente le risque d'électrocution.

- e. **Si vous utilisez l'outil électroportatif à l'extérieur, utilisez une rallonge homologuée pour utilisation à l'air libre.** L'utilisation d'une rallonge électrique homologuée pour les applications extérieures réduit le risque d'électrocution.
- f. **Si l'usage d'un outil dans un emplacement humide est inévitable, utilisez une alimentation protégée par un dispositif à courant différentiel résiduel (RCD).** L'usage d'un RCD réduit le risque de choc électrique.

#### 3. Sécurité personnelle

- a. **Restez vigilant, surveillez ce que vous faites. Faites preuve de bon sens quand vous utilisez l'outil électroportatif. N'utilisez pas l'outil lorsque vous êtes fatigué ou après avoir consommé de l'alcool, des drogues voire des médicaments.** Un moment d'inattention lors de l'utilisation de l'outil peut entraîner de graves blessures.
- b. **Utilisez un équipement de protection personnelle.** Portez toujours une protection pour les yeux. Les équipements de protection personnelle tels que les masques anti-poussières, chaussures de sécurité antidérapantes, casques ou protections acoustiques utilisés dans des conditions appropriées réduisent les blessures.
- c. **Évitez toute mise en marche involontaire. Vérifiez que l'interrupteur est en position arrêt avant de brancher l'outil au secteur ou au bloc de batteries, de le prendre ou de le porter.** Transporter les outils en avec le doigt sur l'interrupteur ou les brancher avec l'interrupteur en position de marche est une source d'accidents.
- d. **Enlevez tout outil ou clé de réglage avant de mettre l'outil en marche.** Une clé ou un outil se trouvant sur une partie en rotation peut causer des blessures.
- e. **Adoptez une position confortable. Adoptez une position stable et gardez votre équilibre à tout moment.** Vous contrôlerez mieux l'outil dans des situations inattendues.
- f. **Portez des vêtements appropriés. Ne portez pas de vêtements flottants ou de bijoux. N'approchez pas les cheveux, vêtements ou gants des parties des pièces mobiles.** Les vêtements amples, les bijoux ou les cheveux longs peuvent être attrapés dans les pièces en mouvement.



- g. Si des dispositifs servant à aspirer ou à recueillir les poussières doivent être utilisés, vérifiez qu'ils sont correctement raccordés et utilisés.** Le fait d'aspirer la poussière permet de réduire les risques inhérents à la poussière.
- 4. Utilisation des outils électroportatifs et précautions**
- a. Ne surchargez pas l'outil. Utilisez l'outil électroportatif approprié pour le travail à effectuer.** Avec l'outil électroportatif approprié, vous travaillerez mieux et avec plus de sécurité à la vitesse pour laquelle il a été conçu.
- b. N'utilisez pas un outil électroportatif dont l'interrupteur est défectueux.** Un outil électroportatif qui ne peut plus être mis en ou hors fonctionnement est dangereux et doit être réparé.
- c. Déconnectez la prise de la source d'alimentation ou le pack-batterie de l'outil électrique avant tout réglage, changement d'accessoire voire rangement des outils électriques.** Cette mesure de précaution empêche une mise en marche par mégarde.
- d. Rangez les outils électroportatifs hors de portée des enfants. Ne laissez pas les personnes n'étant pas familiarisées avec l'outil ou n'ayant pas lu ces instructions l'utiliser.** Les outils électroportatifs sont dangereux lorsqu'ils sont utilisés par des personnes non initiées.
- e. Prenez soin des outils électroportatifs. Vérifiez que les parties en mouvement fonctionnent correctement et qu'elles ne sont pas coincées ; vérifiez qu'il n'y a pas de pièces cassées ou endommagées susceptibles de nuire au bon fonctionnement de l'outil. S'il est endommagé, faites réparer l'outil avant de l'utiliser.** De nombreux accidents sont dus à des outils électroportatifs mal entretenus.
- f. Maintenez les outils de coupe aiguisés et propres.** Des outils soigneusement entretenus avec des bords tranchants bien aiguisés se coincent moins souvent et peuvent être guidés plus facilement.
- g. Utilisez l'outil électrique, les accessoires et forets, etc. conformément à ces instructions, en tenant compte des conditions de travail et des tâches à effectuer.** L'utilisation des outils électroportatifs à d'autres fins que celles prévues peut entraîner des situations dangereuses.
- 5. Utilisation des outils à batterie et précautions**
- a. Rechargez la batterie uniquement avec le chargeur spécifié par le fabricant.** Un chargeur prévu pour un type de batterie présente un risque d'incendie s'il est utilisé avec un autre type de batterie.
- b. Utilisez les outils électroportatifs uniquement avec les batteries spécifiquement conçues pour eux.** L'utilisation d'autres batteries peut comporter un risque de blessures ou d'incendie.
- c. Quand vous ne l'utilisez pas, rangez la batterie loin d'autres objets métalliques tels que trombones, pièces, clous, vis ou autres pouvant créer une connexion entre deux bornes.** Court-circuiter les bornes du pack-batteries peut provoquer des brûlures ou un incendie.
- d. Dans des conditions inappropriées, la batterie peut rejeter du liquide. Évitez le contact. Si un contact accidentel se produit, rincez à l'eau. Si le liquide touche les yeux, consultez un médecin.** Le liquide rejeté par la pile peut causer une irritation cutanée ou des brûlures.
- 6. Réparations**
- a. Faites réparer votre outil électroportatif uniquement par du personnel qualifié et seulement avec des pièces de rechange d'origine.** Cela garantira le maintien de la sécurité de votre outil.

### Avertissements de sécurité supplémentaires pour les outils électriques



**Attention !** Avertissements de sécurité supplémentaires pour les perceuses et perceuses à percussion

- **Portez une protection auditive avec les perceuses à percussion.** L'exposition au bruit peut causer des pertes de l'audition.
- **Utilisez les poignées additionnelles fournies avec l'outil.** Une perte de contrôle peut provoquer des blessures.
- **Tenez l'outil uniquement par les surfaces isolées des poignées si l'opération effectuée peut mettre la lame en contact avec des câbles électriques cachés ou son propre cordon électrique.** Le contact de l'accessoire de coupe avec un câble sous tension met les parties métalliques de l'outil sous tension et peut provoquer une électrocution de l'utilisateur.
- **Utilisez des fixations ou tout autre moyen pratique pour fixer et soutenir la pièce à ouvrir sur une plate-forme stable.** Si vous tenez la pièce à la main ou contre votre corps, elle est instable et vous pouvez en perdre le contrôle.
- **Avant de percer les murs, les planchers ou les plafonds, vérifiez l'emplacement des fils électriques et des tuyaux.**
- **Évitez de toucher l'extrémité d'un foret juste après avoir percé car il peut être chaud.**

- Cet outil n'est pas destiné à être utilisé par des personnes (notamment des enfants) présentant des capacités physiques, sensorielles ou mentales limitées voire dépourvues de connaissance et d'expérience, sauf si elles sont supervisées ou ont reçu des instructions pour l'usage de l'appareil par une personne responsable de leur sécurité. Les enfants ne doivent pas jouer avec l'appareil.
- Le domaine d'utilisation de l'outil est décrit dans le présent manuel. L'utilisation d'accessoires ou la réalisation d'opérations avec cet outil autres que ceux recommandés dans le présent manuel peut entraîner un risque de blessure ou de dégâts.

## Étiquettes apposées sur l'outil

Les pictogrammes suivants sont présents sur l'outil :



**Attention !** Afin de réduire les risques de blessures, l'utilisateur doit lire le manuel d'instructions.

## Instructions de sécurité supplémentaires pour les batteries et chargeurs

### Batteries

- Ne tentez jamais d'ouvrir pour quelque raison que ce soit.
  - N'exposez pas la batterie à l'humidité.
  - Ne stockez pas dans des endroits où la température peut dépasser 40 °C.
  - Chargez uniquement à température ambiante, entre 10°C et 40 °C.
  - Chargez uniquement en utilisant le chargeur fourni avec l'outil.
- Lorsque vous jetez des batteries, suivez les instructions données à la section « Protection de l'environnement ».



Ne chargez pas une batterie endommagée.

## Chargeurs

- Utilisez uniquement votre chargeur Black & Decker pour charger les batteries fournies avec votre outil ou de même type et modèle. D'autres batteries pourraient exploser et causer des dommages ou blessures.
- Ne tentez jamais de charger des batteries non rechargeables.
- Remplacez immédiatement les fils électriques défectueux.
- Ne mettez pas le chargeur en contact avec de l'eau.
- N'ouvrez pas le chargeur.
- Ne testez pas le chargeur.



Le chargeur a été conçu pour être utilisé uniquement à l'intérieur.



Lisez le manuel d'instruction avant utilisation.



Le chargeur est automatiquement mis hors tension si la température ambiante est trop élevée. Le rupteur thermique ne fonctionne qu'une fois. Ensuite, il doit être intégralement remplacé.

## Sécurité électrique



Votre chargeur est doublement isolé ; par conséquent, aucun câble de masse n'est nécessaire. Vérifiez toujours que la tension du secteur correspond à la tension indiquée sur la plaque d'identification. Ne tentez jamais de remplacer le chargeur par une prise au secteur normale.

- Si le câble d'alimentation est endommagé, il doit être remplacé par le fabricant ou par un centre de réparation agréé Black & Decker afin d'éviter tout accident.
- Verrouillez l'outil en réglant le sélecteur de rotation droite / gauche (2) sur la position centrale.

## Caractéristiques

Cet outil comprend toutes ou certaines des caractéristiques suivantes.

1. Interrupteur à variateur de vitesse
2. Sélecteur de rotation droite / gauche
3. Sélecteur de mode / bague de réglage du couple
4. Mandrin
5. Sélecteur de vitesse
6. Porte-embout
7. Batterie

### Fig. A

8. Prise de chargeur
9. Chargeur
10. Boîtier du chargeur

## Assemblage

**Attention !** Avant l'assemblage, enlevez la batterie.

### Installation et retrait de la batterie (fig. B & C)

- Pour mettre la batterie en place (7), alignez-la avec le boîtier sur l'outil. Faites glisser la batterie dans le boîtier et poussez pour l'enclencher.
- Pour retirer la batterie, appuyez sur le bouton de déverrouillage (11) tout en retirant la batterie du boîtier.

### Montage du cache de batterie (fig. C)

**Attention !** Installez le cache (12) sur la batterie (7) pour la transporter et la ranger.

### Installation et retrait d'un foret de perçage ou de vissage (fig. D)

Cet outil est équipé d'un mandrin sans clef pour vous permettre de changer les accessoires plus rapidement.

- Ouvrez le mandrin en faisant tourner la partie avant (13) d'une main tout en tenant la partie arrière (14) de l'autre main.
- Insérez la tige du foret (15) dans le mandrin et serrez fermement le mandrin.

Cet outil est livré avec un double embout de vissage dans le support d'embout (6).

- Pour retirer le double embout de vissage du support d'embout, soulevez l'embout de sa cavité.
- Pour remettre l'embout en place, poussez-le fermement dans le support.

### Comment enlever et replacer le mandrin (fig. E)

- Ouvrez le mandrin jusqu'à son ouverture maximum.
- Enlevez la vis de serrage du mandrin en la faisant tourner dans le sens des aiguilles d'une montre à l'aide d'un tournevis.
- Serrez une clé Allen dans le mandrin et desserrez-le en donnant un coup de marteau sur la clé Allen comme l'indique le dessin.
- Enlevez la clé Allen.
- Enlevez le mandrin en le faisant tourner dans le sens anti-horaire.
- Pour replacer le mandrin, vissez-le sur l'arbre et serrez-le avec la vis de serrage.

## Risques résiduels.

L'utilisation d'un outil non mentionné dans les consignes de sécurité données peut entraîner des risques résiduels supplémentaires. Ces risques peuvent survenir si l'outil est mal utilisé, si l'utilisation est prolongée, etc.

Malgré l'application des normes de sécurité correspondantes et la présence de dispositifs de sécurité, les risques résiduels suivants ne peuvent être évités. Ceci comprend :

- **Les blessures dues au contact avec une pièce mobile/en rotation.**
- **Les blessures causées en changeant des pièces, lames ou accessoires.**
- **Les blessures dues à l'utilisation prolongée d'un outil. Une utilisation prolongée de l'outil nécessite des pauses régulières.**
- **Déficience auditive.**
- **Risques pour la santé causés par l'inhalation de poussières produites pendant l'utilisation de l'outil (exemple : travail avec du bois, surtout le chêne, le hêtre et les panneaux en MDF).**

## Utilisation

**Attention !** Laissez l'outil fonctionner à sa propre vitesse. Ne le surchargez pas.

**Attention !** Avant de percer les murs, les planchers ou les plafonds, vérifiez l'emplacement des fils électriques et des tuyaux.

### Chargement de la batterie (fig. A & F)

La batterie a besoin d'être chargée avant la première utilisation et à chaque fois qu'elle ne produit pas une puissance suffisante pour des travaux facilement effectués auparavant. Lorsque vous chargez la batterie pour la première fois ou suite à une inutilisation prolongée, le chargement ne se fera qu'à 80%. Après plusieurs cycles de chargement et de déchargement, la batterie atteindra sa capacité totale. La batterie peut chauffer pendant le chargement ; cela est normal et n'indique pas de problème particulier.

**Attention !** Ne chargez pas la batterie à une température ambiante inférieure à 10 °C ou supérieure à 40 °C. Température de chargement recommandée : environ 24 °C.

### Utilisation du chargeur

- Pour charger la batterie (7), retirez-la de l'outil et glissez le réceptacle du chargeur (10) sur la batterie.
- Branchez le chargeur (9).

La batterie chauffe lors du chargement. La batterie sera suffisamment chargée après un délai d'environ 3 heures pour une utilisation normale. La batterie est complètement chargée après un délai d'environ 8-10 heures.

- Dégagez la batterie du boîtier du chargeur.

### Chargeur avec prise de chargeur

- Pour charger la batterie, assurez-vous qu'elle est bien installée sur la perceuse.
- Insérez la prise de chargeur (8) dans le connecteur.
- Branchez le chargeur.
- Mettez sous tension.

Après une utilisation normale, la batterie doit être mise en charge pendant environ 3 heures pour pouvoir être utilisée dans la plupart des applications.

Toutefois, un temps de charge de 8-10 heures peut accroître considérablement la durée d'utilisation, en fonction de la batterie et des conditions de charge.

- Débranchez l'outil du chargeur.

**Attention !** Veillez à ne pas utiliser l'outil lorsqu'il est branché au chargeur.


### Sélection du sens de rotation (fig. G)

Pour le perçage et le serrage des vis, utilisez la rotation vers l'avant (dans le sens horaire). Pour desserrer les vis ou enlever un foret de perçage coincé, utilisez la rotation vers l'arrière (dans le sens anti-horaire).

- Pour sélectionner la rotation vers l'avant, poussez le sélecteur de rotation droite / gauche (2) vers la gauche.
- Pour sélectionner la rotation vers l'arrière, poussez le sélecteur de rotation droite / gauche vers la droite.
- Pour verrouiller l'outil, réglez le sélecteur de rotation droite / gauche sur la position centrale.

### Sélection du mode de fonctionnement (fig. H)

Cet outil est muni d'une bague servant à régler le mode de fonctionnement et le couple de serrage des vis. Les grosses vis et les matières d'oeuvre rigides nécessitent un couple de serrage plus grand que les petites vis et les matières d'oeuvre peu rigides. La bague possède une large gamme de réglages de manière à pouvoir répondre à vos besoins.

- Pour le perçage du bois, du métal et du plastique, placez la bague (3) sur la position de perçage en alignant le symbole  avec la marque(16).

- Pour le vissage, réglez la bague à la position désirée. Si vous ne connaissez pas encore le bon réglage, procédez comme suit :
  - Placez la bague (3) au réglage de couple le plus bas.
  - Serrez la première vis.
  - Si l'embrayage fait « clic » avant d'avoir obtenu le résultat désiré, augmentez le réglage de la bague et continuez à serrer la vis. Répétez jusqu'à obtenir le bon réglage. Utilisez ce réglage pour les vis restantes.
- Utilisez un bloc de bois pour protéger les pièces pouvant se briser.
- Utilisez des mèches à bois lorsque vous percez des trous d'un large diamètre dans du bois.
- Utilisez des forets de perçage HSS lorsque vous percez du métal.
- Utilisez des forets de maçonnerie lorsque vous percez des pièces de maçonnerie légères.
- Utilisez un lubrifiant lorsque vous percez des métaux autres que la fonte et le laiton.

### Perçage de la maçonnerie (fig. H & I)

- Pour le perçage de la maçonnerie, réglez la bague (3) sur la position **T** de perçage au marteau en alignant le symbole avec la marque (16).
- Glissez le sélecteur de vitesse (5) vers l'avant de l'outil (deuxième vitesse).

### Sélecteur de vitesse (fig. I)

- Pour le perçage de l'acier et la pose de vis, glissez le sélecteur de vitesse (5) vers l'arrière de l'outil (première vitesse).
- Pour le perçage de matières autres que l'acier, glissez le sélecteur de vitesse (5) vers l'avant de l'outil (deuxième vitesse).

### Perçage / vissage

- Sélectionnez la rotation vers la droite ou la gauche à l'aide du sélecteur de rotation droite / gauche (2).
- Pour mettre l'outil en marche, appuyez sur l'interrupteur (1). La vitesse de l'outil dépend de la force que vous exercez sur l'interrupteur.
- Relâchez l'interrupteur pour mettre l'outil hors fonction.

### Conseils pour une utilisation optimale

#### Perçage

- Appliquez toujours une pression légère et rectiligne avec le foret de perçage.
- Juste avant que le foret de perçage ne passe de l'autre côté de la pièce, diminuez la pression sur l'outil.

- Faites une entaille à l'aide d'une contrepointe de centrage au centre de l'orifice à percer afin d'améliorer la précision

#### Vissage

- Utilisez toujours le bon type et la bonne taille d'embout de tournevis.
- Si les vis sont difficiles à serrer, essayez d'appliquer un petit peu de liquide vaisselle ou de savon comme lubrifiant.
- Tenez toujours l'outil et l'embout de tournevis en ligne droite par rapport à la vis.

### Entretien

Votre outil Black & Decker a été conçu pour fonctionner pendant longtemps avec un minimum d'entretien. Un fonctionnement continu satisfaisant dépend d'un nettoyage régulier et d'un entretien approprié de l'outil.

Votre chargeur ne nécessite aucun entretien autre qu'un nettoyage régulier.


**Attention !** Avant de procéder à tout entretien de l'outil, retirez la batterie. Débranchez le chargeur avant de le nettoyer.

- Nettoyez régulièrement les orifices de ventilation de votre outil et le chargeur à l'aide d'une brosse douce ou d'un chiffon sec.
- Nettoyez régulièrement le carter du moteur à l'aide d'un chiffon humide. N'utilisez pas de produit abrasif ou à base de solvant.
- Ouvrez régulièrement le mandrin et tapotez dessus pour retirer toute poussière à l'intérieur.

## Accessoires

La performance de votre outil dépend de l'accessoire utilisé. Les accessoires Black & Decker sont conçus selon des normes de qualité supérieure pour améliorer les performances de votre outil. En utilisant ces accessoires vous obtiendrez le meilleur de votre outil.

## Packs-batteries

 Les batteries Black & Decker peuvent être rechargées de nombreuses fois. A la fin de leur durée de vie technique, jetez les batteries en respectant l'environnement :

- Videz complètement la batterie, puis retirez-la de l'outil.
- Les batteries NiCd, NiMH et Li-Ion sont recyclables. Apportez-les à votre réparateur agréé ou à un centre de recyclage local.

Chargeur			
		90500843	90573461
		90500847	90500849
		90500855	90500857
		90500858	90500860
Tension secteur	V <sub>AC</sub>	220-240	220-240
Tension de sortie	V <sub>DC</sub>	14.5-15.3	21.75-22.6
Ampérage	mA	210-220	210-230
Temps de chargement approx	h	8-10	8-10

## Caractéristiques techniques

		BPCD120/ BPCD120KB	BPCD180/ BPCD180KB
Voltage	V <sub>DC</sub>	12	18
Vitesse à vide	/min	0-450/ 0-1400	0-400/ 0-1350
Couple max.	Nm	13	16
Capacité du mandrin	mm	10	10
Capacité max. de perçage			
Stahl/Holz	mm	10/25	10/25
maçonnerie	mm	10	10
Batterie		A12/A12E	A18/A18E
Ampérage	Ah	1.0	1.0
Type de batterie		NiCd	NiCd
Poids	kg	0.5	0.7
Batterie		A12NH	A18NH
Ampérage	Ah	1.5	1.5
Type de batterie		NiMH	NiMH
Poids	kg	0.6	0.9

## Protection de l'environnement



Recyclage. Cet appareil ne doit pas être jeté avec les déchets ménagers.

Si votre appareil Black & Decker doit être remplacé ou si vous n'en avez plus l'usage, ne le jetez pas avec les ordures ménagères. Songez à la protection de l'environnement et recyclez-les.



La collecte séparée des produits et des emballages usagés permet de recycler et de réutiliser des matériaux. La réutilisation de matériaux recyclés évite la pollution de l'environnement et réduit la demande de matières premières.

Des réglementations locales peuvent stipuler la collecte séparée des produits électriques et des produits ménagers, dans des déchetteries municipales ou par le revendeur lorsque vous achetez un nouveau produit.

Black & Decker offre une solution permettant de recycler les produits Black & Decker lorsqu'ils ont atteint la fin de leur cycle de vie. Pour pouvoir profiter de ce service, veuillez retourner votre produit à un réparateur agréé qui se chargera de le collecter pour nous.

Pour connaître l'adresse du réparateur agréé le plus proche de chez vous, contactez le bureau Black & Decker à l'adresse indiquée dans ce manuel. Vous pourrez aussi trouver une liste de réparateurs agréés de Black & Decker et de plus amples détails sur notre service après-vente sur le site Internet à l'adresse suivante : [www.2helpU.com](http://www.2helpU.com).

## Garantie

Black & Decker vous assure la qualité de ses produits et vous offre une garantie très étendue.

Ce certificat de garantie est un document supplémentaire et ne peut en aucun cas se substituer à vos droits légaux.

La garantie est valable sur tout le territoire des États Membres de l'Union Européenne et de la Zone de Libre Échange Européenne.

Si un produit Black & Decker s'avère défectueux en raison de matériaux en mauvais état, d'une erreur humaine, ou d'un manque de conformité dans les 12 mois suivant la date d'achat, Black & Decker garantit le remplacement des pièces défectueuses, la réparation des produits usés ou cassés ou remplace ces produits à la convenance du client, sauf dans les circonstances suivantes :

- Le produit a été utilisé dans un but commercial, professionnel, ou a été loué.
- Le produit a été mal utilisé ou avec négligence.
- Le produit a subi des dommages à cause de corps étrangers, de substances ou d'accidents.
- Des réparations ont été tentées par des techniciens ne faisant pas partie du service technique de Black & Decker.

Pour avoir recours à la garantie, il est nécessaire de fournir une preuve d'achat au vendeur ou à un réparateur agréé.

Pour connaître l'adresse du réparateur agréé le plus proche de chez vous, contactez le bureau Black & Decker à l'adresse indiquée dans ce manuel. Vous pourrez aussi trouver une liste de réparateurs agréés de Black & Decker et de plus amples détails sur notre service après-vente sur le site Internet à l'adresse suivante :

**[www.2helpU.com](http://www.2helpU.com)**

Visitez notre site Web [www.blackanddecker.eu](http://www.blackanddecker.eu) pour enregistrer votre nouveau produit Black & Decker et être informé des nouveaux produits et des offres spéciales. Pour plus d'informations concernant la marque Black & Decker et notre gamme de produits, consultez notre site **[www.blackanddecker.eu](http://www.blackanddecker.eu)**.

## الضمان

تتفق بلاك أند ديكر بجودة منتجاتها وتقدم ضماناً مميزاً. ويكون بيان الضمان هذا بالإضافة ولا يخل بأي حال من الأحوال بالحقوق القانونية. ويسري هذا الضمان داخل إقليم الدول الأعضاء في الإتحاد الأوروبي ومنطقة التجارة الحرة الأوروبية.

إذا أصبح منتج بلاك أند ديكر معيباً بسبب عيوب المواد والصناعة وعدم المطابقة، تضمن بلاك أند ديكر في غضون 12 شهراً من تاريخ الشراء استبدال الأجزاء المعيبة وإصلاح المنتجات مع مراعاة البلي باستخدام العادي أو استبدال هذه المنتجات للتأكد من رضا العملاء ما لم:

- تم استخدام المنتج لأغراض تجارية أو مهنية أو للتأجير.
- إهمال أو إساءة استخدام المنتج.
- تعرض المنتج لتلف بسبب مواد أو أغراض غريبة أو الحوادث.
- محاولة إجراء عمليات الإصلاح من قبل الأشخاص الآخرين بخلاف وكلاء الإصلاح المصرح بهم أو فريق الخدمة التابع لبلاك أند ديكر.

للمطالبة بالضمان، يجب تقديم إثبات الشراء للبائع أو وكيل البيع المعتمد. ويمكنك معرفة مكان أقرب وكيل إصلاح معتمد بمراجعة مكتب بلاك أند ديكر المحلي في العنوان المشار إليه في الدليل. كما تتوفر قائمة بوكلاء الإصلاح المعتمدين لدى بلاك أند ديكر وبيانات خدمات ما بعد البيع والاتصال على الموقع الإلكتروني:

[www.2helpU.com](http://www.2helpU.com)

يرجى مراجعة موقعنا الإلكتروني

[www.blackanddecker.co.uk](http://www.blackanddecker.co.uk) لتسجيل منتجك الجديد من بلاك أند ديكر ولمعرفة أحدث المنتجات والعروض الخاصة. وللحصول على المزيد من المعلومات حول علامة بلاك أند ديكر ومنتجاتنا، يرجى زيارة [www.blackanddecker.co.uk](http://www.blackanddecker.co.uk).



## حماية البيئة



تجميع منفصل. يجب عدم إلقاء هذا المنتج مع المخلفات المنزلية.

إذا تبين لك في أحد الأيام بأنه يجب تبديل جهاز بلاك أند ديكر الخاص بك أو لم تعد بحاجة لاستخدامه. لا تتخلص منه مع المخلفات المنزلية. وقم بتوفير هذا المنتج للتجميع المنفصل.

يمكن التجميع المنفصل للمنتجات والعبوات المستخدمة من



إعادة تدوير المواد واستخدامها مرة أخرى، إذ يساعد إعادة استخدام المواد المعاد تدويرها على منع التلوث البيئي وخفض الطلب على المواد الخام

قد تنص التشريعات المحلية على تجميع منفصل للمنتجات الكهربائية عن المخلفات المنزلية في مواقع مخلفات البلدية أو تاجر التجزئة عند شراء منتج جديد.

توفر بلاك أند ديكر منشأة لتجميع وإعادة تدوير منتجات بلاك أند ديكر عند وصول تلك المنتجات لنهاية عمرها النافع. وللاستفادة من هذه الخدمة، يرجى إعادة المنتج إلى أي وكيل إصلاح معتمد الذي سيقوم بتجميع المنتجات نيابة عنا.

يمكنك معرفة مكان أقرب وكيل إصلاح معتمد بمراجعة مكتب بلاك أند ديكر المحلي في العنوان المشار إليه في الدليل. كما تتوفر قائمة بوكلاء الإصلاح المعتمدين لدى بلاك أند ديكر وبيانات خدمات ما بعد البيع والاتصال على الموقع الإلكتروني: [www.2helpU.com](http://www.2helpU.com)

## الملحقات

يعتمد أداء جهازك على الملحقات المستخدمة. وتم تصميم ملحقات بلاك أند ديكر وبيراننا بجودة عالية بغرض تحسين أداء جهازك. وباستخدام تلك الملحقات، ستتمكن من الحصول على الأداء الأمثل للجهاز.

## البطاريات

بطاريات بلاك أند ديكر يمكن إعادة شحنها عدة مرات. في نهاية عمرها الافتراضي، تخلص من البطاريات مع مراعاة العناية الواجبة لحماية بيئتنا.

- استنفد طاقة البطارية بالكامل، ثم استخراجها من الجهاز.
- بطاريات النيكل كادميوم "NiCd" ونيكل الهيدريد المعدني "NiMH" والليثيوم أيون "Li-Ion" قابلة لإعادة التدوير. سلمها لأي وكيل إصلاح معتمد أو محطة إعادة تدوير محلية.

## البيانات الفنية

BPCD180		BPCD120	
BPCD180KB		BPCD120KB	
18	12	فولت تيار مباشر	الجهد
/ 0-400 0-1350	/ 0-450 0-1400	دورة في الدقيقة	السرعة دون حمل
16	13	نيوتن متر	أقصى عزم
10	10	ملم	سعة الظرف
قدرة الثقب القصوى			
10/25	10/25	ملم	الحديد/ الخشب
10	10	ملم	البناء
A18/A18E		A12/A12E	
1.0	1.0	أمبير ساعة	القدرة
NiCd	NiCd		النوع
0.7	0.5	كجم	الوزن
A18NH		A12NH	
1.5	1.5	أمبير ساعة	القدرة
NiMH	NiMH		النوع
0.9	0.6	كجم	الوزن

- لربط البراغي، اضبط الطوق على الإعداد المطلوب. إذا كنت لا تعرف الإعداد المناسب، اتبع ما يلي:
- اضبط الطوق (3) على أقل إعداد عزم.
- اربط البرغي الأول.
- إذا كان القابض تسقط سقامته قبل تحقيق النتيجة المطلوبة، قم بزيادة إعداد الطوق واستمر في ربط البرغي. كرر العملية حتى الوصول إلى الإعداد الصحيح. استخدم هذا الإعداد في ربط البراغي الباقية.
- الثقب في البنيان (الشكل "ح" "ط")
- للثقب في البنيان، اضبط الطوق (3) على وضع ثقب المطرقة من خلال محاذاة الرمز مع علامة التدرج (16) T.
- ادفع وحدة اختيار السرعة (5) ناحية الجزء الأمامي من الجهاز (المستوى 2).
- وحدة اختيار السرعة (الشكل "ط")
- للثقب في الحديد ولاستخدامات ربط البراغي، ادفع وحدة اختيار السرعة (5) ناحية الجزء الخلفي من الجهاز (المستوى 1).
- للثقب في المواد الأخرى بخلاف الحديد، ادفع وحدة اختيار السرعة (5) ناحية الجزء الأمامي من الجهاز (المستوى 2).
- الثقب / ربط البراغي
- اختر الدوران للأمام أو الدوران العكسي باستخدام مزلاق الأمام/الاتجاه العكسي (2).
- لتشغيل الجهاز، اضغط على المفتاح (1). تعتمد سرعة الجهاز على مقدار الضغط على المفتاح.
- لإيقاف الجهاز، حرر المفتاح.
- نصائح بخصوص الاستخدام الأمثل
- الثقب
- استخدم دائماً الضغط الخفيف في خط مستقيم مع لقمة المثقاب.
- مياشرة قبل اختراق طرف اللقمة للجانب الآخر من قطعة العمل، قلل الضغط على الجهاز.
- استخدم قطعة من الخشب لوضعها خلف قطع العمل التي قد تتعرض للتمزق.
- استخدم لقم مسحاة عند ثقب فتحات ذات أقطار كبيرة في الخشب.
- استخدم لقم مثقاب من الصلب عالي السرعة عند الثقب في المعادن.
- استخدم لقم البنيان عند الثقب في البنيان غير الصلب.
- استخدم شحم تزييق عند ثقب المعادن الأخرى بخلاف حديد الخرسانة والنحاس.
- اصنع فتحة إرشادية باستخدام خرامة في وسط الفتحة المطلوب ثقبها من أجل تحسين دقة الثقب.
- ربط البراغي
- استخدم دائماً النوع والحجم الصحيح من لقمة المفك.
- إذا كانت البراغي يصعب ربطها، حاول استخدام كمية صغيرة من سائل الغسيل أو الصابون كمادة تزييق.
- امسك الجهاز ولقمة المفك دائماً في خط مستقيم مع البرغي.
- الصيانة
- جهاز بلاك أند ديكر مصمم من أجل تشغيله لفترة طويلة من الزمن بحد أدنى من الصيانة. تعتمد عملية التشغيل المرضية المستمرة على العناية المناسبة بالجهاز والتنظيف المنتظم له.
- لا يتطلب الشاحن أي صيانة غير التنظيف المعتاد.
- تنبيه! قبل إجراء أي صيانة للجهاز، استخرج البطارية من الجهاز. انفصل الشاحن عن التيار الكهربائي قبل تنظيفه.
- نظف فتحات التهوية في الجهاز بشكل دوري باستخدام فرشاة ناعمة أو قطعة قماش جافة.
- نظف وحد إيواء المحرك بشكل دوري باستخدام قطعة قماش رطبة. لا تستخدم أي مادة تنظيف كاشطة أو مذيبة.
- افتح الظرف بشكل دوري واضربه ضرباً خفيفاً لإزالة أي أتربة موجود بالداخل.

- الإصابات الناتجة عن ملامسة أية أجزاء دوارة/متحركة.
- الإصابات التي تحدث عند تغيير أية أجزاء أو شفرات أو ملحقات.
- الإصابات الناتجة عن الاستخدام المطول للجهاز. عند استخدام أي جهاز لفترات طويلة، تأكد من التوقف لفترات فاصلة منتظمة.
- ضعف السمع
- المخاطر الصحية الناتجة عن استنشاق الغبار الناشئ عند استخدام الجهاز (على سبيل المثال: الاستخدام مع الأخشاب وعلى وجه الخصوص خشب البلوط وخشب الزان والخشب اللينفي متوسط الكثافة).
- وصل الشاحن بالقابس.
- شغل مصدر التيار الكهربائي.
- أدخل قابس الشاحن (8) في الموصل.
- بعد الاستخدام المعتاد، وقت الشحن البالغ قدره 3 ساعات سوف يوفر طاقة كافية لمعظم الاستخدامات.

### الاستخدام

وتنبيه! اترك الجهاز يعمل بسرعه الطبيعية. لا تفرط في التحميل.

ومع ذلك، مزيد من الشحن حتى 6 ساعات يمكن أن يزيد وقت الاستخدام بشكل كبير، حسب البطارية وظروف الشحن.

- تجنبه! قبل الثقب في الحوائط أو الأرضيات أو الأسقف، افحص المكان للتأكد من خلوه من شبكات الأسلاك الكهربائية والأنابيب.

شحن البطارية (الشكل "أ" و "و" و "ز")

تحتاج البطارية إلى شحنها قبل الاستخدام للمرة الأولى وعندما تفضل في إنتاج الطاقة الكافية في المهام التي كان يتم أدائها بسهولة فيما سبق. عند شحن البطارية للمرة الأولى، أو بعد التخزين لفترة طويلة، سوف تقبل شحن قدره 80% فقط. بعد الشحن والتفريغ لعدة مرات، سوف تصل البطارية إلى القدرة الكاملة. يمكن أن تصبح البطارية ساخنة أثناء الشحن، هذا الأمر طبيعي ولا يدل على وجود مشكلة.

تنبيه! لا تقم بشحن البطارية عندما تكون درجة الحرارة المحيطة أقل من 10 درجات مئوية أو أعلى من 40 درجة مئوية. درجة حرارة الشحن الموصى بها: 24 درجة مئوية تقريباً.

### استخدام الشاحن

- لشحن البطارية (7)، استخرج البطارية من الجهاز وأدخل مقبس الشاحن (10) في البطارية.
- وصل الشاحن بقابس التيار الكهربائي.
- سوف تصبح البطارية ساخنة أثناء الشحن. بعد حوالي 3 ساعات من الشحن، سوف تكون البطارية مشحونة بشكل كافي للاستخدام في المهام المعتادة. وبعد 8-10 ساعات من الشحن، سوف تكون البطارية مشحونة بالكامل.
- اختيار وضع التشغيل أو العزم (الشكل "ح")
- هذا الجهاز مزود بطوق لاختيار وضع التشغيل ولضبط العزم لربط البراغي. تتطلب البراغي الكبير ومواد قطعة العمل الصلبة إعداد عزم أعلى من إعداد البراغي الصغيرة ومواد قطعة العمل غير الصلبة. يشتمل الطوق على عدد كبير من الإعدادات للتناسب مع الاستخدام.
- للثقب في الخشب والمعادن والبلاستيك، اضبط الطوق (3) على وضع الثقب من خلال محاذاة الرمز مع علامة التدرج (16).

- افتح الظرف من خلال إدارة الجزء الأمامي (13) بإحدى اليدين مع مسك الجزء الخلفي (14) باليد الأخرى.

3. وحدة اختيار الوضع / طوق ضبط العزم

4. ظرف

- أدخل جذع اللقمة (15) في الظرف وأغلق الظرف بإحكام.

5. وحدة اختيار السرعة

- هذا الجهاز مزود بلقمة مفك مزدوجة النهاية في مسك اللقمة (6).

6. مسك اللقمة

- لإزالة لقمة المفك من مسك اللقمة، ارفع اللقمة من التجويف.

7. البطارية

- لتخزين لقمة المفك، ادفع اللقمة بإحكام في المسك.

الشكل "أ"

- إزالة وتركيب الظرف (الشكل "هـ")

8. قابس الشاحن

- افتح الظرف إلى أقصى قدر ممكن.

9. الشاحن

- قم بإزالة برغي تثبيت الظرف وذلك من خلال إدارته في اتجاه عقارب الساعة باستخدام مفك.

10. حاوية الشحن

### التركيب

تنبيه! قبل التركيب، قم بإزالة البطارية من الجهاز.

- أدخل مفتاح مسدس في الظرف واضرب عليه باستخدام مطرقة وفق الموضح.

تركيب وإزالة البطارية (الشكل "ب" و "ج")

- قم بإزالة المفتاح المسدس.
- قم بإزالة الظرف من خلال إدارته في عكس اتجاه عقارب الساعة.
- لإعادة تركيب الظرف، اربطه في عمود الدوران وثبته باستخدام برغي تثبيت الظرف.

- لتركيب البطارية (7)، قم بمحاذاة البطارية مع حاوية البطارية في الجهاز. ادفع البطارية إلى داخل حاوية البطارية حتى تستقر البطارية في موضعها.

- لإزالة البطارية، ادفع زر التحرير (11) مع القيام في نفس الوقت بسحب البطارية خارج حاوية البطارية.

تركيب غطاء البطارية (الشكل "ج")

### المخاطر المتبقية

قد تنشأ مخاطر متبقية إضافية عند استخدام الجهاز والتي قد لا تكون مضمنة في تنبيهات السلامة المرفقة. وقد تنشأ تلك المخاطر عن سوء الاستخدام أو الاستخدام المطول وما إلى ذلك.

تنبيه! ركب الغطاء (12) على البطارية (7) من أجل النقل والتخزين.

تركيب وإزالة لقمة المثقاب أو لقمة المفك (الشكل "د")

حتى مع تطبيق لوائح السلامة ذات الصلة واستخدام أدوات السلامة، لا يمكن تجنب بعض المخاطر المتبقية. تشمل هذه المخاطر المتبقية ما يلي:

هذا الجهاز مزود بظرف بدون مفتاح لإتاحة تغيير اللقم بسهولة.

- أغلق الجهاز عن طريق ضبط مزلاق الأمام/الاتجاه العكسي (2) على موضع الوسط.

### الشواحن

- ينبغي استخدام شاحن بلاك أند ديكر فقط لشحن بطارية الجهاز المرفق معه. البطاريات الأخرى يمكن أن تنفجر أو تحدث إصابة شخصية وضرر.
- لا تحاول مطلقًا شحن البطاريات غير القابلة لإعادة الشحن.
- في حالة تلف سلك التيار الكهربائي، فإنه يجب استبداله على الفور.
- ينبغي عدم تعريض الشاحن للماء.
- ينبغي عدم فتح الشاحن.
- ينبغي عدم فحص الشاحن بمسبار.

الشاحن مصمم للاستخدام المنزلي فقط.

ينبغي قراءة دليل الإرشادات قبل الاستخدام

يتوقف الشاحن تلقائيًا إذا أصبحت درجة الحرارة

المحيطة مرتفعة للغاية. يعمل قاطع التيار الحراري مرة واحدة فقط ويتطلب بعد ذلك استبداله بالكامل.



### السلامة الكهربائية

الشاحن معزول عزلاً مزدوجًا؛ لذلك، لا حاجة إلى سلك أرضي. وينبغي التأكد دائمًا من توافق مصدر التيار الكهربائي مع الجهد الموضح على لوحة التقنين. لا تحاول مطلقًا استبدال وحدة الشاحن بقابس توصيل منقطع.



- في حالة تلف سلك التيار الكهربائي، يجب استبداله بواسطة الشركة المصنعة أو مركز صيانة بلاك أند ديكر معتمد لتجنب المخاطر.

### المزايا

يشتمل هذا الجهاز على بعض من أو كافة المزايا التالية:

1. مفتاح سرعة متغير
2. مزلاق الأمام/الاتجاه العكسي

- هذا الجهاز غير مصمم ليستخدمه الأشخاص ذوو القدرات الجسدية والذهنية والحسية والعقلية المتدنية والخبرة والمعرفة القليلتين (بما في ذلك الأطفال) إلا في ظل الإشراف عليهم أو إعطائهم التعليمات المتعلقة باستخدام الجهاز من قبل الشخص المسؤول عن سلامتهم. يلزم الإشراف على الأطفال لضمان عدم عبثهم بالجهاز.
- الاستخدام المقصود موضح في دليل الإرشادات هذا. قد يتسبب استخدام أي وحدة ملحقة أو تنفيذ أية عملية بهذا الجهاز بخلاف تلك الموصى بها في دليل الإرشادات هذا في حدوث إصابة شخصية و/أو تلف للممتلكات.

### الملصقات على الأجهزة

تنبيه! لتقليل خطر الإصابة، ينبغي على المستخدم قراءة دليل الإرشادات.



### إرشادات سلامة إضافية بخصوص البطاريات والشواحن

#### البطاريات

- ينبغي عدم محاولة فتح البطارية مطلقًا لأي سبب من الأسباب.
- ينبغي عدم تعريض البطارية للماء.
- ينبغي عدم تخزين البطارية في الأماكن التي يُحتمل أن تتجاوز درجة الحرارة فيها 40 درجة مئوية.
- ينبغي شحن البطارية فقط في درجات حرارة تتراوح ما بين 10 و 40 درجة مئوية.
- ينبغي شحن البطارية فقط باستخدام الشاحن الموفر مع الجهاز.
- عند التخلص من البطاريات، ينبغي اتباع التعليمات الواردة في القسم "حماية البيئة".

ينبغي عدم محاولة شحن البطاريات التالفة.



- ب. استخدم الأجهزة الكهربائية فقط مع حزم البطارية المصممة لها خصيصاً. قد يؤدي استخدام أي حزم بطارية أخرى إلى مخاطر التعرض لإصابة أو نشوب حريق.
- ج. في حالة عدم استخدام حزمة البطارية، ينبغي الاحتفاظ بها دائماً بعيداً عن الأشياء المعدنية الأخرى؛ مثل مشابك الورق والعملات المعدنية والمفاتيح والمسامير والبراغي أو الأشياء المعدنية الصغيرة الأخرى، التي يمكن أن تؤدي إلى توصيل طرف بالطرف الآخر. قد يتسبب توصيل طرفي البطارية مع بعضهما البعض في التعرض لحروق أو نشوب حريق.
- د. في ظل الظروف القاسية، قد يحدث تسرب سائل من البطارية. تجنب ملامسة السائل. في حالة ملامسة السائل دون قصد، اغسل موضع الملامسة بالماء. وفي حالة ملامسة السائل للعينين، ينبغي الحصول على المساعدة الطبية. السائل المتسرب من البطارية قد يسبب تهيج أو حروق.
6. الصيانة
- أ. ينبغي صيانة وإصلاح الجهاز الكهربائي بواسطة شخص مؤهل باستخدام قطع غيار مطابقة فقط. هذا سيضمن الحفاظ على سلامة الجهاز الكهربائي.
- ب. إذا كانت هناك أجهزة موفرة بخصوص توصيل مرافق استخراج الغبار والجمع، تأكد من توصيل تلك الأجهزة واستخدامها بالشكل المناسب. يمكن أن يقلل استخدام تلك الأجهزة من حدوث المخاطر المرتبطة بالغبار.
4. استخدام الجهاز الكهربائي والعناية به
- أ. يتعين تجنب استخدام الجهاز الكهربائي في غرض غير مناسب. استخدم الجهاز الكهربائي الذي يتناسب مع الغرض والاستخدام الذي تريده. سوف يقوم الجهاز الكهربائي الصحيح بأداء العمل بشكل أفضل وأكثر أماناً بالمعدل الذي تم تصميمه من أجله.
- ب. لا تستخدم الجهاز الكهربائي إذا لم يقم المفتاح بتشغيله وإيقاف تشغيله. أي جهاز كهربائي لا يمكن التحكم فيه باستخدام المفتاح يكون خطراً وينبغي إصلاحه.
- ج. افصل قابس الجهاز الكهربائي عن مصدر التيار الكهربائي و/أو عن حزمة البطارية قبل إجراء أية تعديلات أو تغييرات أو تركيب أية ملحقات في الأجهزة الكهربائية أو تخزينها. تقلل إجراءات السلامة الوقائية هذه من خطر بدء تشغيل الجهاز الكهربائي فجأة دون قصد.
- د. قم بتخزين الأجهزة الكهربائية غير المستخدمة بعيداً عن متناول الأطفال ولا تسمح للأشخاص غير المعتادين على استخدام الجهاز الكهربائي أو غير المطلعين على هذه الإرشادات بتشغيل الجهاز الكهربائي. الأجهزة الكهربائية تشكل خطراً عندما تكون في يد مستخدمين غير مدربين.
- هـ. ينبغي صيانة الأجهزة الكهربائية. افحص الجهاز للتعرف على الأجزاء المعيبة أو التي تعوق حركة الأجزاء المتحركة وللتأكد من خلوه من الأجزاء المكسورة ومن أي حالة أخرى قد تؤثر على كفاءة تشغيل الأجهزة الكهربائية. إذا تم العثور على أي تلف، ينبغي إصلاح الجهاز الكهربائي قبل الاستخدام. تنتج العديد من الحوادث عن سوء صيانة الأجهزة الكهربائية.
- و. ينبغي الحفاظ على أدوات القطع في حالة حادة ونظيفة. أدوات القطع المحافظ عليها بشكل مناسب والمزودة بشفرات قاطعة حادة هي أقل عرضة للأعطال وأسهل في التحكم.
- ز. ينبغي استخدام الجهاز الكهربائي وملحقاته واللحم وما إلى ذلك وفقاً لهذه الإرشادات، مع أخذ ظروف العمل والعمل المراد تنفيذه في الاعتبار. قد يتسبب استخدام الجهاز الكهربائي من أجل عمليات تشغيل مختلفة عن عمليات التشغيل المقصودة في حدوث مخاطر.
5. استخدام الجهاز الذي يعمل بالبطارية والعناية به
- أ. ينبغي إعادة الشحن فقط باستخدام الشاحن المحدد بواسطة الشركة المصنعة الشاحن المناسب لنوع معين من حزمة البطارية قد يسبب مخاطر نشوب حريق عند استخدامه مع حزمة بطارية أخرى.
- ب. استخدم الأجهزة الكهربائية فقط مع حزم البطارية المصممة لها خصيصاً. قد يؤدي استخدام أي حزم بطارية أخرى إلى مخاطر التعرض لإصابة أو نشوب حريق.
- ج. في حالة عدم استخدام حزمة البطارية، ينبغي الاحتفاظ بها دائماً بعيداً عن الأشياء المعدنية الأخرى؛ مثل مشابك الورق والعملات المعدنية والمفاتيح والمسامير والبراغي أو الأشياء المعدنية الصغيرة الأخرى، التي يمكن أن تؤدي إلى توصيل طرف بالطرف الآخر. قد يتسبب توصيل طرفي البطارية مع بعضهما البعض في التعرض لحروق أو نشوب حريق.
- د. في ظل الظروف القاسية، قد يحدث تسرب سائل من البطارية. تجنب ملامسة السائل. في حالة ملامسة السائل دون قصد، اغسل موضع الملامسة بالماء. وفي حالة ملامسة السائل للعينين، ينبغي الحصول على المساعدة الطبية. السائل المتسرب من البطارية قد يسبب تهيج أو حروق.
6. الصيانة
- أ. ينبغي صيانة وإصلاح الجهاز الكهربائي بواسطة شخص مؤهل باستخدام قطع غيار مطابقة فقط. هذا سيضمن الحفاظ على سلامة الجهاز الكهربائي.
- ب. إذا كانت هناك أجهزة موفرة بخصوص توصيل مرافق استخراج الغبار والجمع، تأكد من توصيل تلك الأجهزة واستخدامها بالشكل المناسب. يمكن أن يقلل استخدام تلك الأجهزة من حدوث المخاطر المرتبطة بالغبار.
4. استخدام الجهاز الكهربائي والعناية به
- أ. يتعين تجنب استخدام الجهاز الكهربائي في غرض غير مناسب. استخدم الجهاز الكهربائي الذي يتناسب مع الغرض والاستخدام الذي تريده. سوف يقوم الجهاز الكهربائي الصحيح بأداء العمل بشكل أفضل وأكثر أماناً بالمعدل الذي تم تصميمه من أجله.
- ب. لا تستخدم الجهاز الكهربائي إذا لم يقم المفتاح بتشغيله وإيقاف تشغيله. أي جهاز كهربائي لا يمكن التحكم فيه باستخدام المفتاح يكون خطراً وينبغي إصلاحه.
- ج. افصل قابس الجهاز الكهربائي عن مصدر التيار الكهربائي و/أو عن حزمة البطارية قبل إجراء أية تعديلات أو تغييرات أو تركيب أية ملحقات في الأجهزة الكهربائية أو تخزينها. تقلل إجراءات السلامة الوقائية هذه من خطر بدء تشغيل الجهاز الكهربائي فجأة دون قصد.
- د. قم بتخزين الأجهزة الكهربائية غير المستخدمة بعيداً عن متناول الأطفال ولا تسمح للأشخاص غير المعتادين على استخدام الجهاز الكهربائي أو غير المطلعين على هذه الإرشادات بتشغيل الجهاز الكهربائي. الأجهزة الكهربائية تشكل خطراً عندما تكون في يد مستخدمين غير مدربين.
- هـ. ينبغي صيانة الأجهزة الكهربائية. افحص الجهاز للتعرف على الأجزاء المعيبة أو التي تعوق حركة الأجزاء المتحركة وللتأكد من خلوه من الأجزاء المكسورة ومن أي حالة أخرى قد تؤثر على كفاءة تشغيل الأجهزة الكهربائية. إذا تم العثور على أي تلف، ينبغي إصلاح الجهاز الكهربائي قبل الاستخدام. تنتج العديد من الحوادث عن سوء صيانة الأجهزة الكهربائية.
- و. ينبغي الحفاظ على أدوات القطع في حالة حادة ونظيفة. أدوات القطع المحافظ عليها بشكل مناسب والمزودة بشفرات قاطعة حادة هي أقل عرضة للأعطال وأسهل في التحكم.
- ز. ينبغي استخدام الجهاز الكهربائي وملحقاته واللحم وما إلى ذلك وفقاً لهذه الإرشادات، مع أخذ ظروف العمل والعمل المراد تنفيذه في الاعتبار. قد يتسبب استخدام الجهاز الكهربائي من أجل عمليات تشغيل مختلفة عن عمليات التشغيل المقصودة في حدوث مخاطر.
5. استخدام الجهاز الذي يعمل بالبطارية والعناية به
- أ. ينبغي إعادة الشحن فقط باستخدام الشاحن المحدد بواسطة الشركة المصنعة الشاحن المناسب لنوع معين من حزمة البطارية قد يسبب مخاطر نشوب حريق عند استخدامه مع حزمة بطارية أخرى.



## تنبيهات سلامة إضافية بخصوص الجهاز الكهربائي

تنبيه! تنبيهات سلامة إضافية بخصوص أجهزة المثقاب.

- ارتدي واقبات الأذن للحماية من تأثير أجهزة المثقاب. قد يتسبب التعرض للضوضاء في فقد السمع.
- استخدم المقابض الإضافية الموفرة مع الجهاز. يمكن أن يؤدي فقد السيطرة إلى التعرض لإصابة شخصية.
- امسك الجهاز الكهربائي بواسطة مقبض ذو أسطح معزولة عندما تقوم بتنفيذ عملية ما؛ حيث قد تلامس وحدة القطع شبكة الأسلاك المخفية أو سلكها. وقد تؤدي ملامسة وحدة القطع لسلك تيار "حي" إلى تعرية الأجزاء المعدنية لسلك التيار "الحي" ومن ثم قد يتسبب ذلك في تعرض المشغل لصدمة كهربائية.
- استخدم المشابك أو أي طريقة عملية أخرى لإحكام تثبيت وتدعيم قطعة العمل على منصة مستقرة. إن مسك قطعة العمل بواسطة اليد أو وضعها على جسمك يجعل قطعة العمل غير مستقرة وقد يؤدي إلى فقدان السيطرة.
- قبل الثقب في الحوائط أو الأرضيات أو الأسقف، افحص المكان للتأكد من خلوه من شبكات الأسلاك الكهربائية والأنابيب.

- تجنب لمس طرف لقمة المثقاب بعد الثقب مباشرة. يمكن أن تكون ساخنة.

## غرض الاستخدام

د. ينبغي عدم إساءة استعمال سلك التيار الكهربائي. لا تستخدم مطلقاً سلك التيار الكهربائي لحمل الجهاز الكهربائي أو سحبه أو فصله عن التيار. ينبغي الاحتفاظ بسلك التيار الكهربائي بعيداً عن الحرارة أو الزيت أو الحواف الحادة أو الأجزاء المتحركة. تزيد الأسلاك التالفة أو المتشابكة من خطر الإصابة بصدمة كهربائية.

هـ. عند تشغيل الجهاز الكهربائي في الهواء الطلق، استخدم سلك توصيل مناسب للاستخدام في الهواء الطلق. استخدم سلك تيار كهربائي مناسب للاستخدام في الهواء الطلق يقلل من خطر التعرض لصدمة كهربائية.

و. إذا كان لا يمكن تجنب تشغيل الجهاز الكهربائي في مكان رطب، فإنه ينبغي استخدام جهاز وقاية من التيار المتبقي. يقلل استخدام جهاز الوقاية من التيار المتبقي من خطر الإصابة بصدمة كهربائية.

### 3. السلامة الشخصية

أ. كن يقظاً وراقب ما تقوم بفعله واستخدم الحس السليم عندما تقوم بتشغيل الجهاز الكهربائي. لا تستخدم الجهاز الكهربائي عندما تكون منهكاً أو تحت تأثير العقاقير أو المشروبات الكحولية أو الدواء. قد تسبب لحظة من الغفلة أثناء تشغيل الأجهزة الكهربائية في حدوث إصابة شخصية بالغة.

ب. استخدم معدات الوقاية الشخصية. ارتدي دوماً واقي العين. سوف يقلل استخدام معدات الوقاية مثل كمامات الأتربة والأحذية المانعة للترزلق والقبعة الصلبة وواقي السمع من خطر حدوث إصابات شخصية.

ج. يتعين منع بدء التشغيل غير المقصود. تأكد من أن المفتاح في وضع الغلق قبل التوصيل بمصدر التيار الكهربائي و/أو بحزمة البطارية أو رفع أو حمل الجهاز. يؤدي حمل الأجهزة الكهربائية والأصابع موضوعة على المفتاح، أو حمل الأجهزة الكهربائية النشطة التي تكون في وضع التشغيل، إلى وقوع حوادث.

د. قم بإزالة أي مفتاح عادي أو مفتاح إنجليزي قبل تشغيل الجهاز الكهربائي. قد يتسبب ترك المفتاح متعلقاً بجزء دوار من الجهاز الكهربائي في حدوث إصابة شخصية.

هـ. ينبغي عدم الاقتراب المفرط. ينبغي الحفاظ على ثبات القدمين والتوازن في كافة الأوقات. هذا يمكنك من السيطرة الجيدة على الجهاز الكهربائي في المواقف غير المتوقعة.

و. ينبغي ارتداء الملابس المناسبة. لا ترتدي الملابس الفضفاضة أو المجوهرات. ينبغي الحفاظ على شعرك وملابسك وقفازاتك بعيداً عن الأجزاء المتحركة. قد تتعلق الملابس الفضفاضة أو المجوهرات أو الشعر الطويل بالأجزاء المتحركة.

المنقباب/مفك البراغي بلاك آند ديكر BPCD120.BPCD120KB  
BPCD180.BPCD180KB / تم تصميمه لاستخدامات ربط البراغي وللثقب في الخشب والمعادن والبلاستيك والبنيان غير الصلب. هذا الجهاز مصمم لاستخدام المستهلك فقط.

## إرشادات السلامة

التنبيهات العامة بخصوص سلامة الأجهزة الكهربائية

تنبيه! ينبغي قراءة كافة تنبيهات السلامة وكافة الإرشادات. قد يتسبب عدم إتباع التنبيهات والإرشادات الواردة فيما يلي في حدوث صدمة كهربائية و/أو حريق و/أو إصابة خطيرة.



يرجى الاحتفاظ بكافة التنبيهات والإرشادات للرجوع إليها مستقبلاً.

المصطلح "جهاز كهربائي" الوارد في كافة التنبيهات المذكورة أدناه يشير إلى الجهاز الكهربائي الذي يعمل بالتيار الكهربائي (سلكياً) أو الجهاز الكهربائي الذي يعمل بالبطارية (لاسلكياً).

### 1. سلامة منطقة العمل

أ. ينبغي الحفاظ على منطقة العمل في حالة نظيفة ومضاءة جيداً. تتسبب المناطق المظلمة والمكتظة بالركام في وقوع حوادث.

ب. لا تقم بتشغيل الأجهزة الكهربائية في أجواء انفجارية؛ مثل تشغيلها في وجود سوائل قابلة للاشتعال أو غازات أو غبار الأجهزة الكهربائية ينتج عنها شرارات قد تؤدي إلى إشعال الغبار أو الأذنة.

ج. ينبغي إبعاد الأطفال والمتفرجين أثناء تشغيل الجهاز الكهربائي. قد يتسبب الإلهاء في فقدانك للسيطرة على الجهاز.

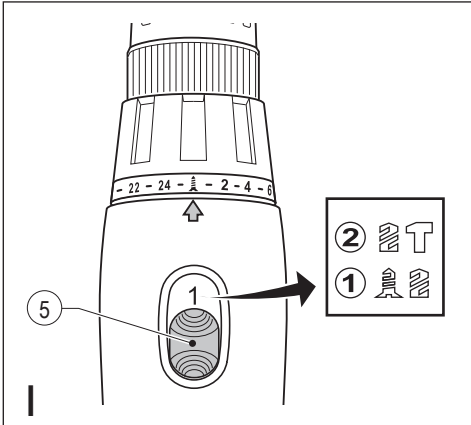
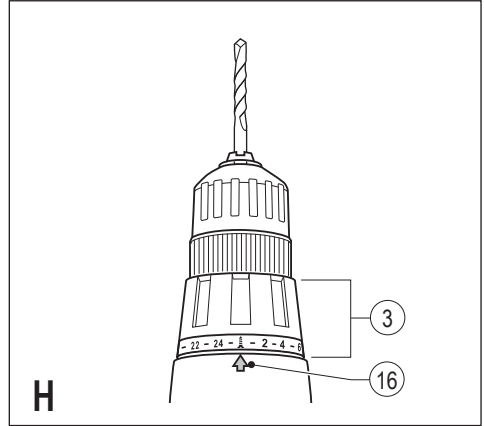
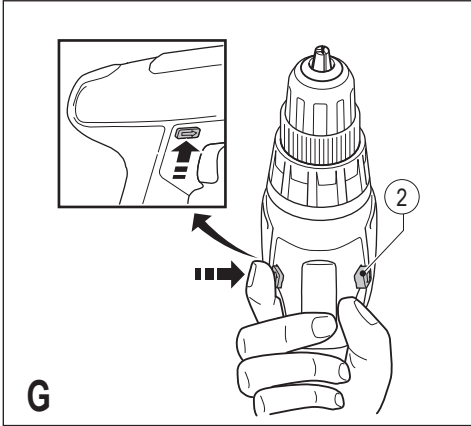
### 2. السلامة الكهربائية

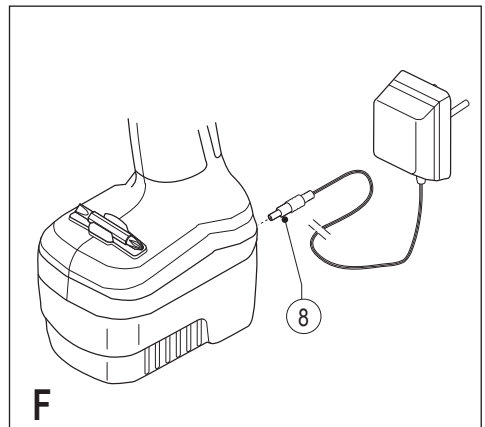
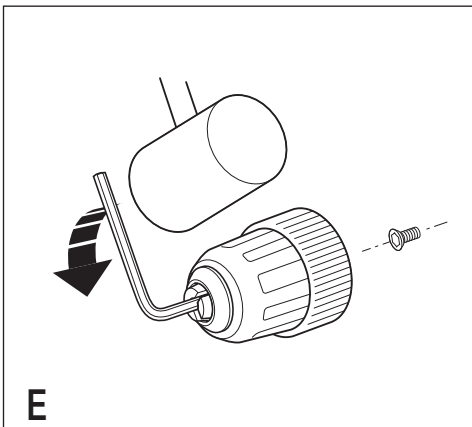
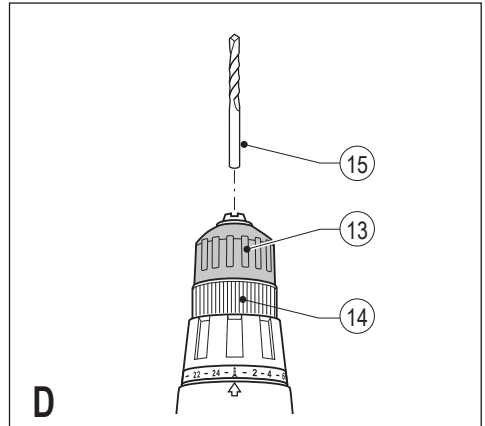
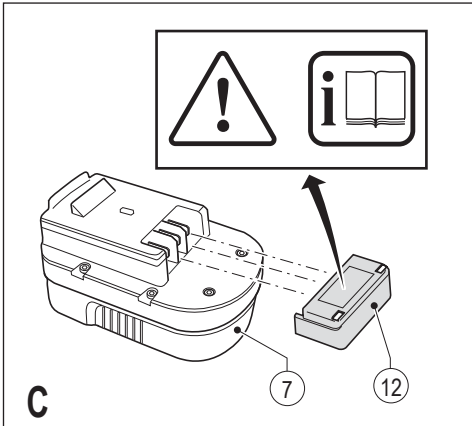
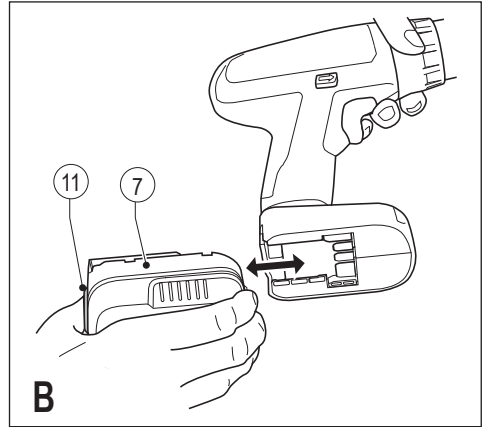
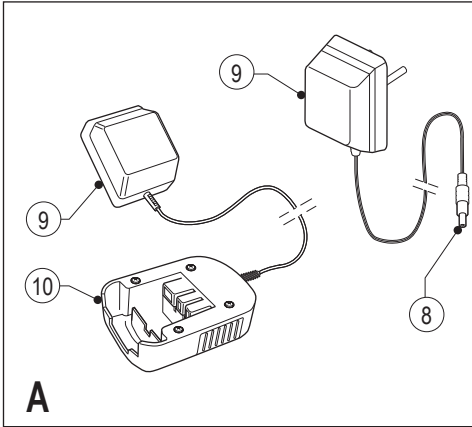
أ. يلزم توافق قواسب التيار الكهربائي مع مصدر التيار الكهربائي. تجنب مطلقاً تعديل الغايس بأية طريقة، ولا تستخدم أية قواسب مهايئ مع الأجهزة الكهربائية المأرضة. سوف تؤدي القواسب غير المعدلة ومصادر التيار الكهربائي المتوافقة إلى تقليل خطر التعرض لصدمة كهربائية.

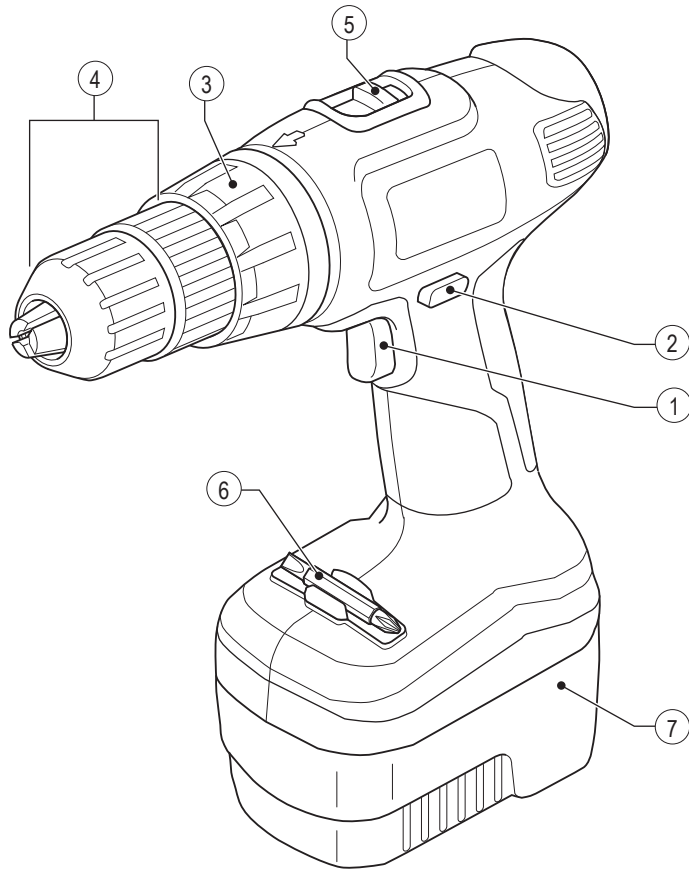
ب. تجنب ملامسة الجسم للأسطح المؤرضة مثل الأنابيب وأجهزة المدفأة والمواقف والثلاجيات. يزداد خطر إصابتك بصدمة كهربائية إذا كان جسمك مؤرضاً.

ج. لا تعرض الأجهزة الكهربائية للمطر أو الأجواء الرطبة. سوف يؤدي تخلل الماء داخل الجهاز الكهربائي إلى زيادة خطر الإصابة بصدمة كهربائية.













WARRANTY REGISTRATION CARD

YOUR NAME/ الإسم .....

.....

YOUR ADDRESS العنوان .....

.....

.....

.....

POSTCODE الرمز البريدي .....

DATE OF PURCHASE تاريخ الشراء .....

DEALER'S NAME & ADDRESS/ إسم وعنوان البائع .....

.....

.....

PRODUCT MODEL NO. BPCD120, BPCD120KB, BPCD180, BPCD180KB



## Names & Addresses for Black & Decker Service Concessionaries

**ALGERIA:** Sarl Outillage Corporation, 08 Rue Med Boudiaf - Cheraga - Algiers, Algeria. Tel: (213-21) 375130, Fax: (213-21) 369667. **ANGOLA:** Angoferaria, Lda., Rua Robert Shields, No. 61, Luanda, Angola. Tel: 00244-222-395837 / 222-395034, Fax: 00244-222-394790. **AZERBAIJAN:** Royalton Holdings Ltd. 41 Khagani St. Apt. 47 AZ 1001, Baku. Tel: (994-12) 4935544, Fax: (994-12) 5980378. **BAHRAIN:** Kavalani & Sons W.L.L., P.O. Box 71, Sitra, Manama. Tel: (973) 17732888, Fax: (973) 17737379. Alfouz Services Co. W.L.L., P.O. Box 26562, Tubli, Manama. Tel: (973) 17783562, Fax: (973) 17783479. **EGYPT:** El Farab S.A.E., 15-Nabil El Wakkad Street, Dokki, Giza, Egypt. Tel: 00202-37603946 / 002-010-2582544, Fax: 00202-33352796. **ETHIOPIA:** Seif Tewfik Sherif, Arada Sub-City, Kebele 01/02, Global Insurance Building, 2nd Floor, Room 43, P.O. Box 2525, Addis Ababa, Ethiopia. Tel: (251-11) 1563968/ 1563969, Fax: (251-11) 1558009. **IRAQ:** Financial Links, Kazazz Building Ararat Al-Hindia Block No: 629 Street: 31 Building No: 1 Baghdad - Iraq. Tel: 00964 (0)780 195 2223/ 00964 (0)781 3763044. Al Sard Co. for General Trading Ltd. Jbara Bldg. 3Flr, Al Rasheed St. Bagdad. Tel: (964) 18184102. Sakhar Group, Arrasat al-hindya Al Masbah, Bagdad, (964) 7400144444. **JORDAN:** Palestine Bldg. Matil. (Bashiti Hardware), 93 King Abdullah 2nd Street, Opp. ELBA House, P.O. Box 3005, Amman 11953, Tel: (962-6) 5349098, Fax: (962-6) 5330731. **KENYA:** Dextron Tools Ltd., P.O. Box 20121-00200, Shariff House, Kimathi Street, Nairobi. Tel: (254-20) 6905000/ 2358021, Fax: (254-20) 6905111/ 6905112. **KUWAIT:** Al Omar Technical Co., P.O. Box 4062, 13041 Safat, Kuwait. Tel: (965) 24848595/ 24840039, Fax: (965) 24845652. Fawaz Al Zayani Establishment, P.O. Box 42426, Shop No. 18, Al Humazi Commercial Complex, Khalifa Al Jassim, Shuwaikh, Kuwait. Tel: (965) 24828710, Fax: (965) 24828716. Fawaz Al Zayani Establishment, P.O. Box 42426, Shop No.18, Al Humazi Commercial Complex, Khalifa Al Jassim, Shuwaikh, Kuwait. Tel: (965) 24828710, Fax: (965) 24828716. Fawaz Al Zayani Establishment, Fahaheel Industrial Area, Main St., Sanaya, Kuwait. Tel: (965) 23925830, Fax: (965) 24828716. **LEBANON:** Est. Shaya & Azar S.A.R.L., Boulevard Jdeideh - Mar Takla - Bouchneh P.O. Box 90545 Jdeideh, Beirut - Lebanon. Tel: 00961 1 872305 / 306, Fax: 00961 1 872303. **LIBYA:** North Africa Trading (J El Ghoul Brothers), AlHilal Service Center Tawergha St. Misurata, Tel: 00218-091-3221408. **(Benghazi)** Snidyl st., Amr Ibn EL-Aas Rd. Tel: (+218) 92 5771120. **(Tripoli)** Al Barniq Service Center, Mokhazin elsukar st., ElFallah. Tel: (+218) 21 4808019. **(Misrata)** Al Hilal Service Center, Tawergha st. Tel: (+218) 51 2626743. **MAURITIUS:** Robert Le Marie Limited, Old Moka Road, Bell Village, P.O. Box 161, Port Louis, Tel: 00230-212 1865/ 212 2847, Fax: 00230-2080843. **MOROCCO:** Ets Louis Guillaud & Cie, 149, Quartier Industriel, Moulay Rachid, Casablanca, Postal Code 20450, Morocco, Tel: 00212-522729233, Fax: 00212-522729096. **NIGERIA:** Meridian Power Tools Ltd., Gr.Floor, #1 Alhaji Masha Rd, Next to Teslim Balogun Stadium, Near National Stadium Surulere, Lagos, Nigeria, Tel: 00234-1-7740431 / 7740410, Fax: 00234-1-7913798. **OMAN:** Al Jizzi Company LLC, P.O. Box 1704, P.C 112 Ruwi, Oman, Tel: (968) 24832618/ 24835153, Fax: (968) 24831334/24836460. Al Hassan Technical & Construction Supplies Co. LLC, P.O. Box 1948, P.C. 112, Ruwi, Tel: (968) 24810575 / 24837054, Fax: (968) 24810287/ 24833080. Oman Hardware Co. LLC, P.O. Box 635, Ruwi Postal Code 112, Tel: (968) 24815131, Fax: (968) 24816491. Khimji Ramdas, P.O. Box 19, Post 100, Ghala, Muscat, Oman. Tel: (968) 24595906/ 907, Fax: (968) 24852752. Oman Marketing & Service Co. (Omasco), P.O. Box 2734, Behind Honda Showroom, Wattayah, Oman. Tel: (968) 24560232/ 24560255, Fax: (968) 24560993. Oman Marketing & Service Co. (Omasco), Al Ohi, Sohar, Oman. Tel: (968) 26846379, Fax: (968) 26846379. Oman Marketing & Service Co. (Omasco), Sanaya, Salalah, Oman. Tel: (968) 23212290, Fax: (968) 23210936. **PAKISTAN:** ZIT Co - Nasir & Bros., 2nd Floor, Qadri Center, Chowk Dalgran Railway Road, Lahore, Pakistan, Tel: 0092 42 37670839, Fax: 0092 42 37652989. Ammar Service & Spares, 60-Bank Arcade, Serai Road, Karachi, Pakistan. Tel: (92-21) 32426905, Fax: (92-21) 32427214. **QATAR:** Teyseer Industrial Supplies & Services Co. W.L.L, 55, Al Wakalat St. (Between St. 18 & 19) Salwa Industrial Area, P.O. Box 40523 Doha, Qatar, Tel: (974) 44581536, Fax: (974) 44682024. Shaheer Electrical Works & Trading Co. W.L.L, Gate 34, St. 44 Industrial Area P.O. Box 9756, Doha, Tel: (974) 44600230 / 44600525, Fax: (974) 44601338. Al Muffath Service Centre, Al Wakrah Road, P.O. Box 875, Doha, Qatar, Tel: (974) 44650880/ 44650110/ 44446868, Tel: (974) 44441415 / 44662599. **SAUDI ARABIA:** **(Al Bahr)** Mohamed Ahmed Bin Afif Est., P.O. Box 530, Yanbu, Al Bahr. Tel: (966-4) 3222626/ 3228867, Fax: (966-4) 3222210. **(Al Khobar)** Fawaz Ibrahim Al Zayani Trading Est., P.O. Box 76026, Al Khobar # 31952, Tel: (966-3) 8140914, Fax: (966-3) 8140824. MSS (Al-Mojil Supply & Services) P.O. Box 450, Jubail 31951, Opp. Gulf Bridge Library & Riyadh House. Tel: (966-3) 3612850/ 3624487/ 3621729, Fax: (966-3) 3623589/ 3620783. **(Dammam)** MSS (Al-Mojil Supply & Services), P.O. Box 450, Jubail 31951. Opp-Gulf Bridge Library & Riyadh House. Tel: (966-3) 3612850 / 3624487 / 3621729, Fax: (966-3) 3623589 / 3620783. Al Bawardi Tools & Hardware, P.O. Box 112, Dammam, Tel: (966-3) 8330780 Ext.24 / 8348585 Ext. 24 / +966-3-8335555, Fax: (966-3) 8336303. **(Al Hassa)** Mutawa Trading & Gen. Services, Maliki road Hafuf city, Al Hassa, KSA. Tel: (966) 502846275 **(Jeddah)** Al Bawardi Tools & Hardware, P.O. Box 16905, Jeddah 21474, Tel: (966-2) 6444547 / 6439035 / 6456095, Fax: (966-2) 6439024. EAC (Al Yousef Contg. & Trdg. Est.), P.O. Box 30377, Jeddah -21477, Tel: (966-2) 6519912, Fax: (966-2) 6511153. **(Madina)** Gariz Trading for Bldg Mat & Decoration, P.O. Box 3364, Madina, Tel: (966-4) 826 14 90 / 8227636, Fax: (966-4) 8265741. **(Riyadh)** Industrial Material Organization (IMO), P.O. Box 623, Rail Street, Riyadh, Tel: (966-1) 4028010 Ext 26 / 8001245757, Fax: (966-1) 4037970. Sultan Garment Factory (RSC), P.O. Box 29912, Riyadh 11467, KSA, Tel: (966-1) 4055148 / 4042889, Fax: (966-1) 4055148. Al Bawardi Tools & Hardware, P.O. Box 68, Riyadh 11411, Tel: (966-1) 4484999, Fax: (966-1) 4487877. **(Yanbu)** Fawaz Ibrahim Al Zayani, Opposite to Al Fouzan, Jeddah highway or King Abdul Aziz road, Yanbu. Tel: (966-4) 3960980, Fax: (966-4) 3961980. Mohamed Ahmed Bin Afif Est., P.O. Box 530, Yanbu, Al Bahr, Tel: (966-4) 3222626/ 3228867, Fax: (966-4) 3222210. **SOUTH AFRICA:** Stanley Black & Decker - RSA, 199 Winze Drive Stormill Ext 9 Roodoepoort, Tel: (2711) 472 0454, Fax: (2711) 472 0482. Trecco Power Tool Service 14 Steenbok Street, Koedoespoort, 0186, Pretoria, South Africa. Tel: (27-86) 1873826, Fax: (27-86) 5001771. **TANZANIA:** General Motors investment Ltd., P.O. Box 16541, 14 Nyerere Road, Vingunguti, Dar-es-Salaam. Tel: (255 22) 2862661/ 2865022, Fax: (255 22) 2862667. **TUNISIA:** Societe Tunisienne De Maintenance (STM), Rue de la Physique, Nouvelle Zone Industrielle Ben Arous., 2013 Ben Arous, Tunisia. Tel: (+216) 79 389687, Fax: (+216) 71 385154. **UAE: (Abu Dhabi)** Light House Electrical, P.O. Box 120, Abu Dhabi, Tel: (971-2) 6726131, Fax: (971-2) 6720667. Galaxy Equipment Trading, Madinat Zayed (Baada Zaid), Abu Dhabi P.C. 58910, Tel: (971-2) 8844279, Fax: (971-2) 8844297 **(Ajman)** Al Sukoon Gen. Trdg. Co. LLC, P.O. Box 2975, Ajman, Tel: (971-6) 7435725/ 7438317, Fax: (971-6) 7437350. Al Sukoon Gen. Trdg. Co. LLC, P.O. Box 2975, Ajman, Tel: (971-6) 7435725 / 7438317, Fax: (971-6) 7437350 **(Al Ain)** Zillion Equipment and Spare Parts Trading LLC, P.O. Box 19740, Opp. Bin Sadal/ Trimix Redymix Sanaiya, Al Ain. Tel: (971-3) 7216690, Fax: (971-3) 7216103. **(Dubai)** Black & Decker (Overseas) GmbH, P.O. Box 5420, Dubai, Tel: (971-4) 8127400/ 8127406, Fax: (971-4) 82822765. Ideal Star Workshop Eqpmt.Trading LLC, P.O. Box 37116, Al Quoz, Dubai, Tel: (971-4) 3474160, Fax: (971-4) 3474157, Fine Tools, P.O.Box 30139, Al Quoz, Dubai, Tel: (971-4) 3385240, Fax: (971-4) 3385239, Alebrah Engineering Service, P.O. Box 78954, Al Qusais, Dubai, Tel: (971-4) 2850044, Fax: (971-4) 2844802. **(Musaffah)** Light House Electrical, P.O. Box 120, Abu Dhabi, Tel: (971-2) 5548315, Fax: (971-2) 5540461. **(Sharjah)** Mc Coy Middle East LLC, P.O. Box 25793, Sharjah, Tel: (971-6) 5395931, Fax: (971-6) 5395932. Burj Al Madeena, Industrial Area No.1, Opp. Pakistani Masjid, P.O. Box 37635, Sharjah. Tel: (971-6) 5337747, Fax: (971-6) 5337719. Burj Al Madeena., Industrial Area No 1, opp Pakistani Masjid P.O. Box 37635, Sharjah, Tel: (971-6) 5337747, Fax: (971-6) 5337719 **(Ras Al Khaimah)** Mc Coy Middle East LLC, P.O. Box 10584, Ras Al Khaimah, Tel: (971-7) 227095, Fax: (971-7) 227096. **UGANDA:** The Building Center (U) Ltd., 52 Station Road, Kitgum House, P.O. Box 7436, Kampala, Uganda. Tel: (256-41) 4234567/ 4259754, Fax: (256-41) 4236413. **YEMEN:** **(Aden)** Middle East Trad. Co. Ltd. (METCO), Mualla Dakka, Aden, Yemen. Tel: (967-2) 222670, Fax: (967-2) 222670. **(Sana'a)** Middle East Trad. Co. Ltd. (METCO), Hayel St., Sana'a, Yemen. Tel: (967-1) 204201, Fax: (967-1) 204204. **(Taiz)** Middle East Trad. Co. (METCO), Riyad Box 12363, 5th Flr, Hayel Saeed Anam Bldg, Al-Mugamma St. Taiz, Yemen. Tel: (967-4) 213455, Fax: (967-4) 219869.



