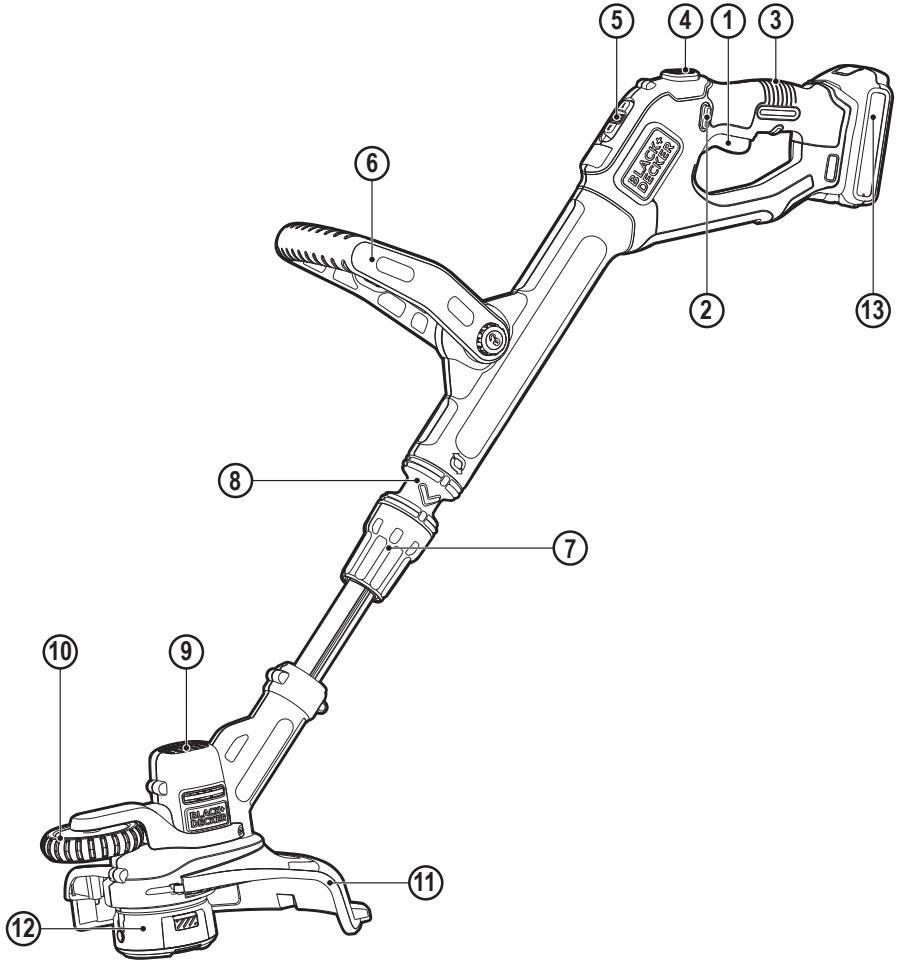


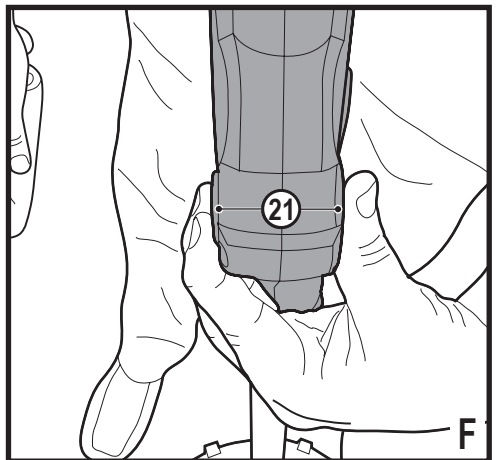
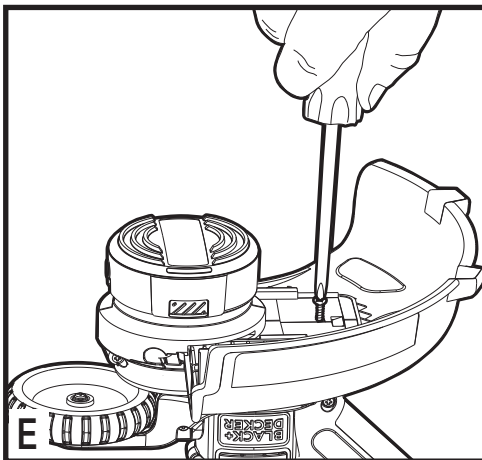
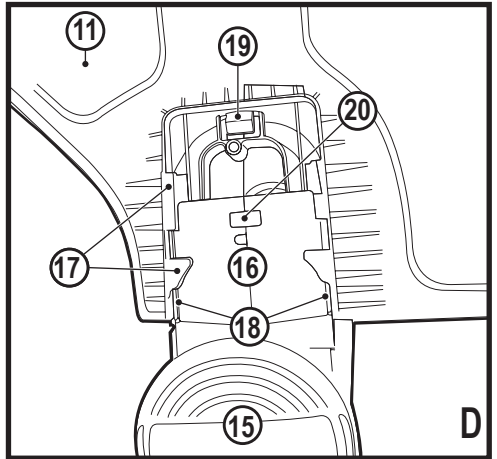
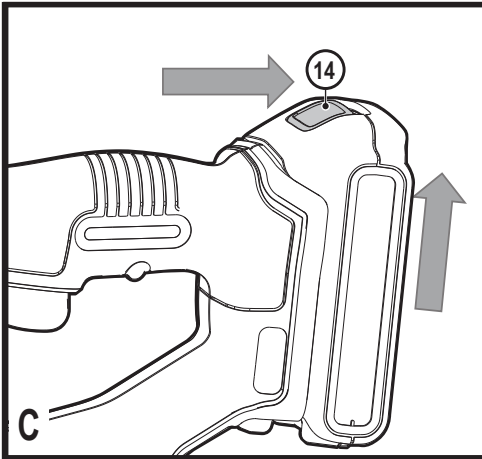
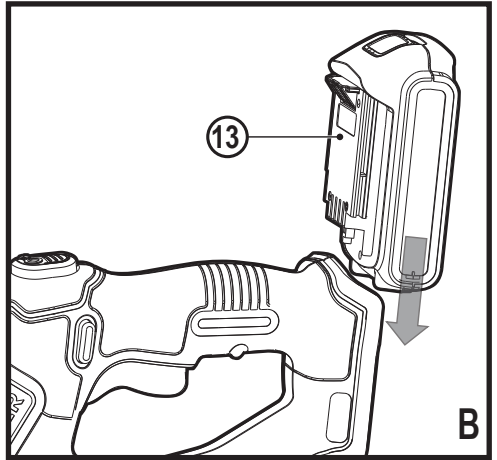
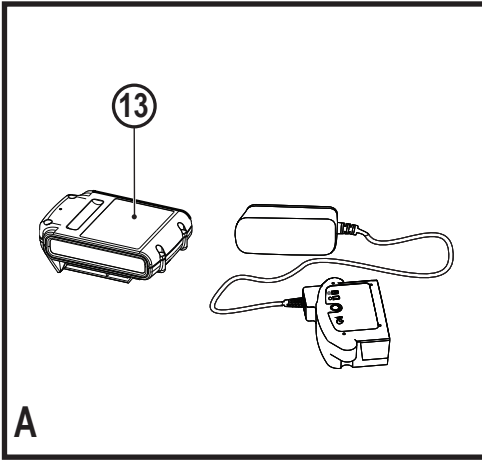


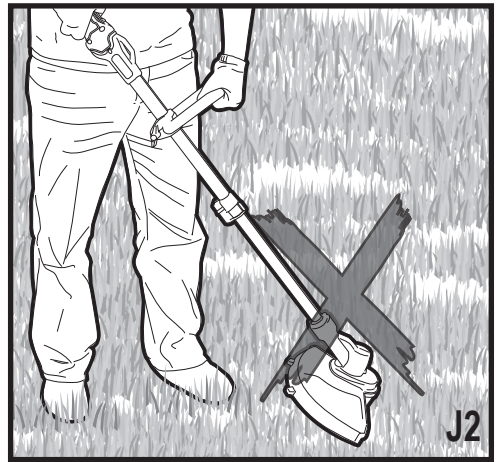
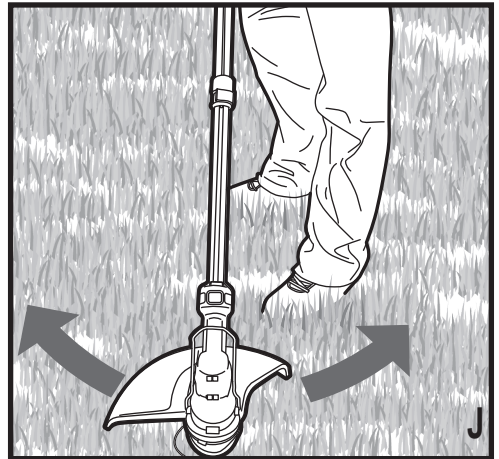
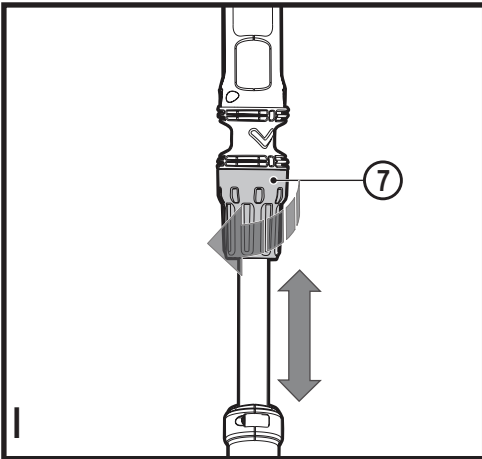
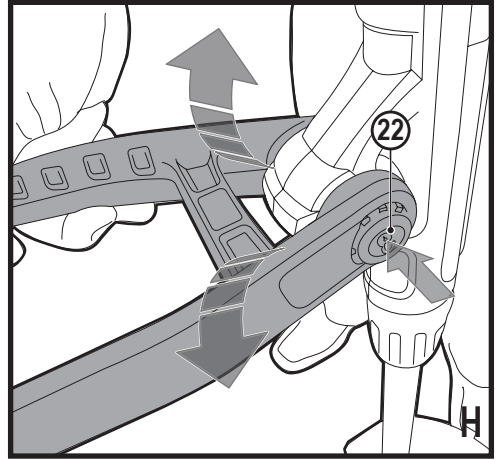
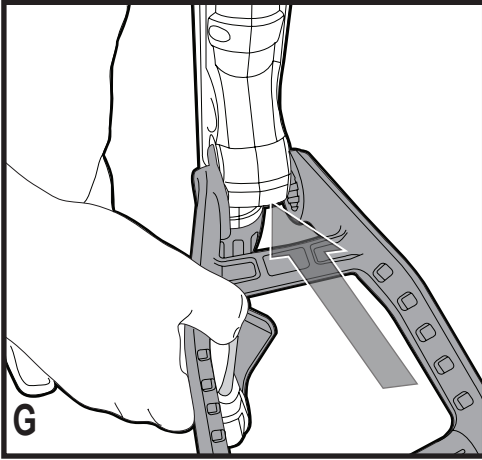
www.blackanddecker.com

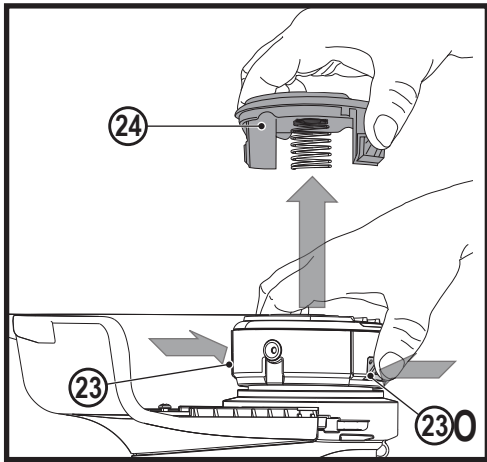
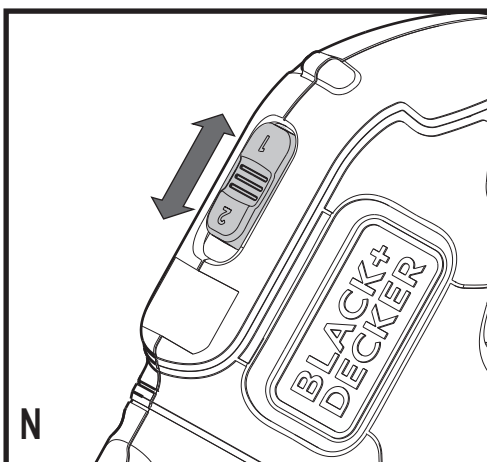
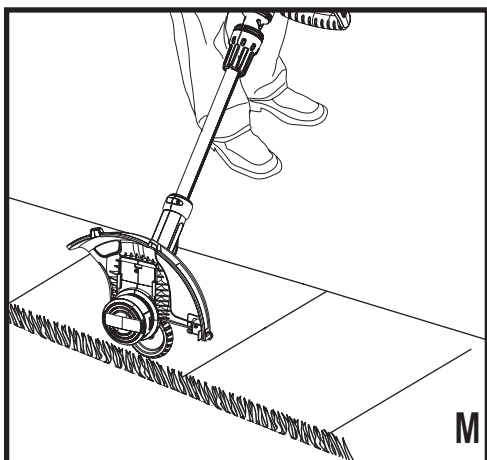
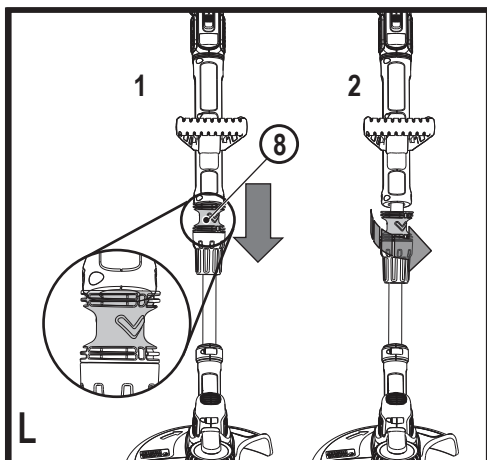
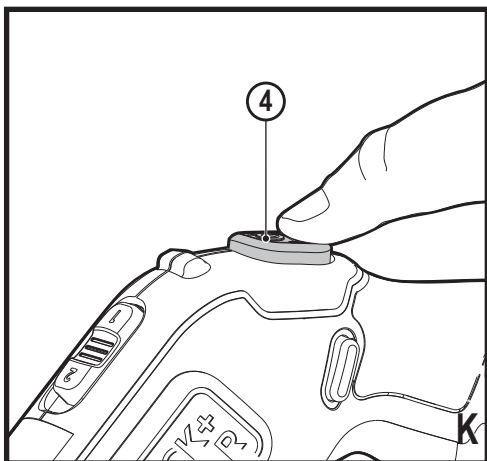


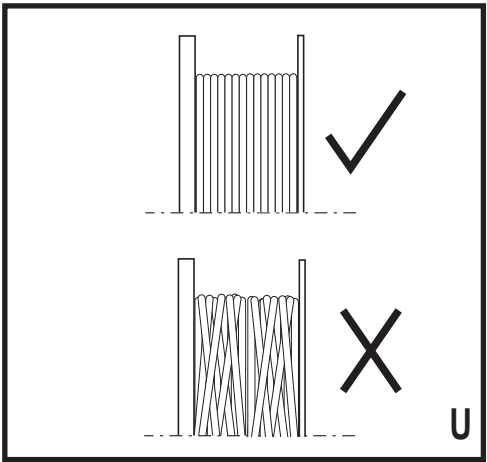
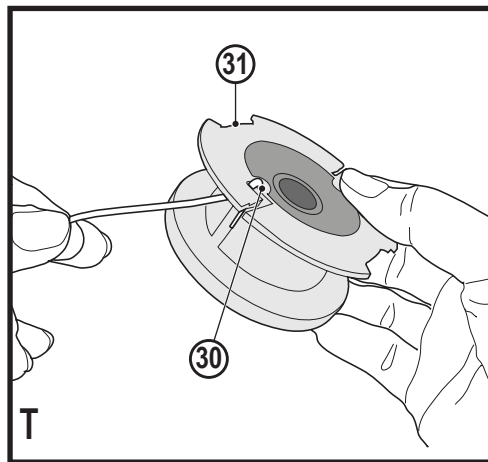
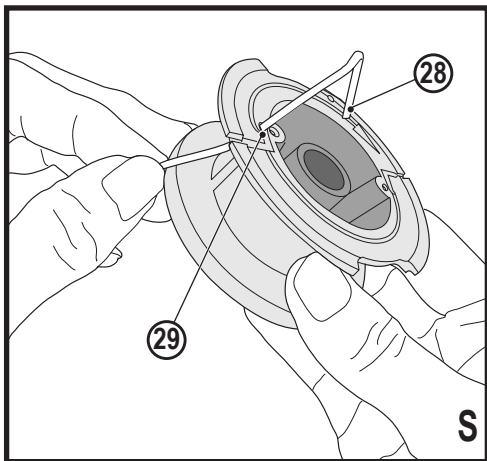
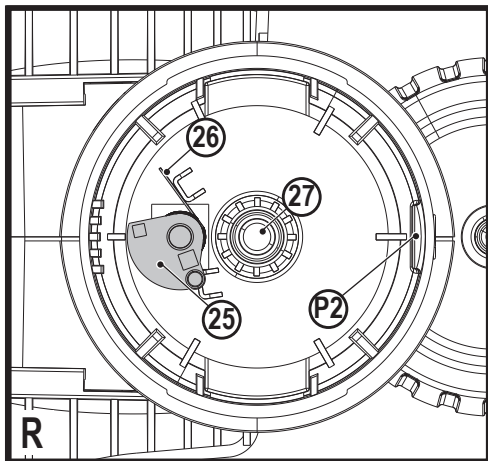
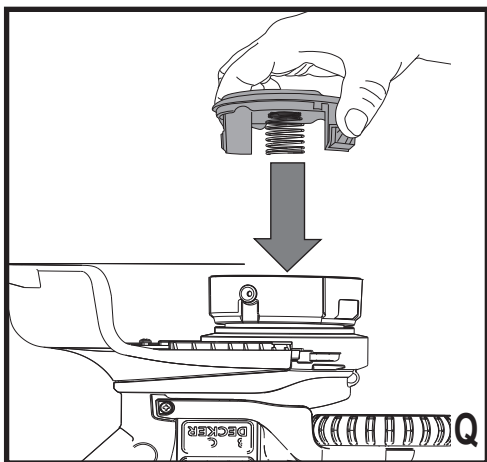
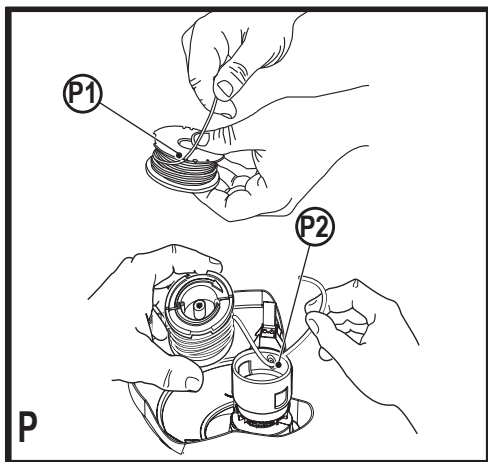
STC1820EPCF

English	6
Bahasa Indonesia	15
ภาษาไทย	24









## STC1820EPCF TRIMMER

### Technical data

STC1820EPCF		
Input Voltage	$V_{DC}$	18
No-Load Speed	$\text{min}^{-1}$	5500 - 7400
Weight	kg	2.1
Battery		
Battery		BL2018
Voltage	$V_{DC}$	18
Capacity	Ah	2.0
Type		Li-Ion
Charger		
Input Voltage	$V_{AC}$	220-240
Output Voltage	$V_{DC}$	18
Current	mA	1000

### Intended Use

Your BLACK+DECKER STC1820EPCF trimmer have been designed for trimming and finishing lawn edges and to cut grass in confined spaces. This appliance is intended for consumer use only.

## Safety instructions

**Warning!** When using mains-powered appliances, basic safety precautions, including the following, should always be followed to reduce the risk of fire, electric shock, personal injury and material damage.

**Warning!** When using the machine the safety rules must be followed. For your own safety and bystanders please read these instructions before operating the machine. Please keep the instructions safe for later use.

- ◆ Read all of this manual carefully before operating the appliance.
- ◆ The intended use is described in this manual. The use of any accessory

or attachment or the performance of any operation with this appliance other than those recommended in this instruction manual may present a risk of personal injury.

- ◆ Retain this manual for future reference.

## Using your appliance

Always take care when using the appliance.

- ◆ Always use safety glasses or goggles.
- ◆ Never allow children, persons with reduced physical, sensory or mental capabilities or lack of experience and knowledge or people unfamiliar with these instructions to use the machine, local regulations may restrict the age of the operator.
- ◆ Never operate the machine while people, especially children, or pets are nearby.
- ◆ Do not allow children or animals to come near the work area or to touch the appliance.
- ◆ Close supervision is necessary when the appliance is used near children.
- ◆ This appliance is not intended for use by young or infirm persons without supervision.
- ◆ This appliance is not to be used as a toy.
- ◆ Only use the appliance in daylight or good artificial light.
- ◆ Use in a dry location only. Do not allow the appliance to become wet.
- ◆ Avoid using the appliance in bad weather conditions, especially when there is a risk of lightning.
- ◆ Do not immerse the appliance in water.
- ◆ Do not open the body casing. There

- are not user-serviceable parts inside.
- ◆ Do not operate the appliance in explosive atmospheres, such as in the presence of flammable liquids, gases or dust.
- ◆ The appliance is only to be used with the power supply unit provided with the appliance.

## Residual risks.

Additional residual risks may arise when using the tool which may not be included in the enclosed safety warnings.

These risks can arise from misuse, prolonged use etc.

Even with the application of the relevant safety regulations and the implementation of safety devices, certain residual risks can not be avoided. These include:

- ◆ Injuries caused by touching any rotating/moving parts.
- ◆ Injuries caused when changing any parts, blades or accessories.
- ◆ Injuries caused by prolonged use of a tool. When using any tool for prolonged periods ensure you take regular breaks.
- ◆ Impairment of hearing.
- ◆ Health hazards caused by breathing dust developed when using your tool (example:- working with wood, especially oak, beech and MDF.)

## After use

- ◆ When not in use, the appliance should be stored in a dry, well ventilated place out of reach of children.
- ◆ Children should not have access to stored appliances.
- ◆ When the appliance is stored or

transported in a vehicle it should be placed in the boot or restrained to prevent movement following sudden changes in speed or direction.

## Inspection and repairs

- ◆ Before use, check the appliance for damaged or defective parts. Check for breakage of parts and any other conditions that may affect its operation.
- ◆ Do not use the appliance if any part is damaged or defective.
- ◆ Have any damaged or defective parts repaired or replaced by an authorised repair agent.
- ◆ Never attempt to remove or replace any parts other than those specified in this manual.

## Additional safety instructions for grass trimmers

**Warning!** Cutting elements continue to rotate after the motor is switched off.

- ◆ Be familiar with the controls and the proper use of the appliance.
- ◆ Always remove the battery from the appliance whenever the appliance is unattended, before clearing a blockage, before cleaning and maintenance, after striking a foreign object or whenever the appliance starts vibrating abnormally.
- ◆ Wear stout shoes or boots to protect your feet.
- ◆ Wear long trousers to protect your legs.
- ◆ Before using the appliance, check that your cutting path is free from sticks, stones, wire and any other obstacles.

- ◆ Only use the appliance in the upright position, with the cutting line near the ground. Never switch the appliance on in any other position.
- ◆ Move slowly when using the appliance. Be aware that freshly cut grass is damp and slippery.
- ◆ Do not work on steep slopes. Work across the face of slopes, not up and down.
- ◆ Never cross gravel paths or roads while the appliance is running.
- ◆ Never touch the cutting line while the appliance is running.
- ◆ Do not put the appliance down until the cutting line has come to a complete standstill.
- ◆ Use only the appropriate type of cutting line. Never use metal cutting line or fishing line.
- ◆ Be careful not to touch the line trimming blade.
- ◆ Keep hands and feet away from the cutting line at all times, especially when switching on the motor.
- ◆ Before using the appliance and after any impact, check for signs of wear or damage and repair as necessary.
- ◆ Never operate the appliance with damaged guards or without guards in place.
- ◆ Take care against injury from any device fitted for trimming the filament line length. After extending new cutter line always return the machine to its normal operating position before switching on.
- ◆ Always ensure that the ventilation slots are kept clear of debris.

## Additional safety instructions for batteries and chargers

### Batteries

- ◆ Never attempt to open for any reason.
- ◆ Do not expose the battery to water.
- ◆ Do not store in locations where the temperature may exceed 40 °C.
- ◆ Charge only at ambient temperatures between 10 °C and 40 °C.
- ◆ Charge only using the charger provided with the tool.
- ◆ When disposing of batteries, follow the instructions given in the section "Protecting the environment".

### Chargers

- ◆ Use your BLACK+DECKER charger only to charge the battery in the tool with which it was supplied. Other batteries could burst, causing personal injury and damage.
- ◆ Never attempt to charge non-rechargeable batteries.
- ◆ Have defective cords replaced immediately.
- ◆ Do not expose the charger to water.
- ◆ Do not open the charger.
- ◆ Do not probe the charger.



The charger is intended for indoor use only.



Read the instruction manual before use.



## Electrical safety



Your charger is double insulated; therefore no earth wire is required. Always check that the mains voltage corresponds to the voltage on the rating plate. Never attempt to replace the charger unit with a regular mains plug.

- ◆ If the supply cord is damaged, it must be replaced by the manufacturer or an authorised BLACK+DECKER Service Centre in order to avoid a hazard.

## Labels on appliance

The following pictograms are shown on the tool along with the date code:



Read the manual prior to operation.



Wear safety glasses or goggles when operating this appliance.



Wear suitable ear protectors when operating this appliance.



Always remove the battery from the appliance before performing any cleaning or maintenance.



Beware of flying objects. Keep bystanders away from the cutting area.



Do not expose the appliance to rain or high humidity.

## Features

This appliance includes some or all of the following features.

1. Trigger
2. Lock off button
3. Handle
4. POWERCOMMAND button
5. Speed control switch
6. Auxiliary handle
7. Height adjust collar

8. Flip to edge collar
9. Trimmer head
10. Edge wheel
11. Guard
12. Spool housing
13. Battery

## Charging the battery (Fig. A)

The battery needs to be charged before first use and whenever it fails to produce sufficient power on jobs that were easily done before.

The battery may become warm while charging; this is normal and does not indicate a problem.

**Warning!** Do not charge the battery at ambient temperatures below 10 °C or above 40 °C. Recommended charging temperature: approx. 24 °C.

**Note:** The charger will not charge a battery if the cell temperature is below approximately 10 °C or above 40 °C. The battery should be left in the charger and the charger will begin to charge automatically when the cell temperature warms up or cools down.

- ◆ Plug the charger into an appropriate outlet before inserting the battery pack.
- ◆ Insert the battery pack into the charger.



The green LED will flash indicating that the battery is being charged.



The completion of charge is indicated by the green LED remaining on continuously. The pack is fully charged and may be used at this time or left in the charger

**Warning!** Recharge discharged batteries as soon as possible after use or battery life may be greatly diminished.

## Charger diagnostics

This charger is designed to detect certain problems that can arise with the battery packs or the power source. Problems are indicated by one LED flashing in different patterns.

## Bad Battery



The charger can detect a weak or damaged battery. The red LED flashes in the pattern indicated on the label. If you see this bad battery blink pattern, do not continue to charge the battery. Return it to a service centre or a collection site for recycling

### Hot/Cold Pack Delay



When the charger detects a battery that is excessively hot or excessively cold, it automatically starts a Hot/Cold Pack delay, suspending charging until the battery has normalised. After this happens, the charger automatically switches to the Pack Charging mode. This feature ensures maximum battery life. The red LED flashes in the pattern indicated on the label when the Hot/Cold pack delay is detected.

### Leaving the battery in the charger

The charger and battery pack can be left connected with the LED glowing indefinitely. The charger will keep the battery pack fresh and fully charged.

### Important charging notes

- ◆ Longest life and best performance can be obtained if the battery pack is charged when the air temperature is between 65°F and 75°F (18°- 24°C). DO NOT charge the battery pack in an air temperature below +40°F (+4.5°C), or above +105°F (+40.5°C). This is important and will prevent serious damage to the battery pack .
- ◆ The charger and battery pack may become warm to touch while charging. This is a normal condition, and does not indicate a problem. To facilitate the cooling of the battery pack after use, avoid placing the charger or battery pack in a warm environment such as in a metal shed, or an uninsulated trailer
- ◆ If the battery pack does not charge properly:
  - ◆ Check current at receptacle by plugging in a lamp or other appliance
  - ◆ Check to see if receptacle is connected to a light switch which turns power off when you turn out the lights.
  - ◆ Move charger and battery pack to a location where the surrounding air temperature is approximately 65°F - 75°F (18°- 24°C).
  - ◆ If charging problems persist, take the appliance, battery pack and charger to your local service center.
- ◆ The battery pack should be recharged when it fails to produce sufficient power on jobs which were easily done previously. DO NOT CONTINUE to use under these conditions. Follow the charging procedure. You may also

charge a partially used pack whenever you desire with no adverse affect on the battery pack.

- ◆ Foreign materials of a conductive nature such as, but not limited to, steel wool, aluminium foil, or any buildup of metallic particles should be kept away from charger cavities. Always unplug the charger from the power supply when there is no battery pack in the cavity. Unplug charger before attempting to clean.
- ◆ Do not freeze or immerse charger in water or any other liquid.

**Warning!** Shock hazard. Do not allow any liquid to get inside charger. Never attempt to open the battery pack for any reason.

If the plastic housing of the battery pack breaks or cracks, return to a service center for recycling.

### Installing and removing the battery pack from the appliance

**Warning!** Make certain the lock-off button is not engaged to prevent switch actuation before removing or installing battery.

#### To install battery pack

Insert battery (13) into appliance until an audible click is heard (Figure B). Ensure battery pack is fully seated and fully latched into position.

#### To remove battery pack

Depress the battery release button (14) as shown in Figure C and pull battery pack out of appliance.

### Assembly

**Warning!** Before assembly, make sure that the tool is switched off and the battery has been removed.

#### Assembly tools required (not supplied):

Phillips Screwdriver.

#### Fitting the guard (Fig. D, E)

**Warning!** Remove the battery from the appliance before attempting to attach the guard, edge guide or handle. Never operate appliance without guard firmly in place. The guard must always be on the appliance to protect the user.

- ◆ Remove the screw from the guard.
- ◆ Turn the trimmer upside down so that you are looking down at the spool cap (15).
- ◆ Turn the guard (11) upside down and slide it fully onto the motor housing (16). Make sure the tabs (17) on the guard engage the ribs (18) on the motor housing as shown.
- ◆ Continue to slide the guard on until you hear it “snap” into place. The locking tab (19) should snap into the housing slot (20).
- ◆ Using a phillips screwdriver, insert the guard screw and tighten securely as shown in Figure E to complete the guard assembly.

- ◆ Once the guard is installed, remove the covering from the line cut-off blade, located on the edge of the guard

**Warning!** Never use the tool unless the guard is properly fitted.

### Attaching the auxiliary handle (Fig. F, G, H)

- ◆ To attach the handle, press in on the buttons (21) on both sides of the upper housing as shown in Figure F.
- ◆ Position the handle as shown in Figure G (with the BLACK+DECKER logo facing upward). Partially push the handle on so it will hold the buttons in when you release them with your hand.
- ◆ Push the handle completely onto the housing and position it slightly until it “snaps” into place.
- ◆ To adjust the handle up or down, press in on the button (22) and raise or lower the handle (Figure H).
- ◆ The handle should be adjusted so that your front arm is straight when the trimmer is in the working position.

### Height adjustment (Fig. I, J–J3)

**Warning!** Adjust the length of the trimmer to obtain proper working positions shown in Figures J - J3.

- ◆ The overall height of the trimmer can be adjusted by loosening the height-adjust collar (7) by rotating it in the direction of the arrow shown in Figure I.
- ◆ Move the upper housing straight up or down. When the desired height is achieved, tighten the collar by rotating it opposite of the direction shown in Figure I.

### Releasing the cutting line

In transit, the cutting line is taped to the spool housing.

- ◆ Remove the tape holding the cutting line to the spool housing.

### Operation

**Warning!** Always use proper eye protection.

**Warning!** Before you begin trimming, only use the appropriate type of cutting line.

**Note:** Inspect area to be trimmed and remove any wire, cord, or string-like objects which could become entangled in the rotating line or spool. Be particularly careful to avoid any wire which might be bent outwardly into the path of the appliance, such as barbs at the base of a chain link fence.

### Switching on and off

- ◆ To switch the appliance on, push the lock-off button (2), and squeeze the trigger (1).
- ◆ To switch the appliance off, release the trigger.

### Operating the trimmer (Fig. I, J–J3)

- ◆ With the unit on, angle unit and slowly swing the trimmer side to side as shown in Figure J.

- ◆ Maintain a cutting angle of 5° to 10° as shown in Figure J1. Do not exceed 10° (Figure J2). Cut with the tip of the line. To keep distance from hard surfaces use edge wheel (10).
- ◆ Maintain a minimum distance of 60 cm between the guard and your feet as shown in Figure J3. To achieve this distance adjust the overall height of the trimmer as shown in Figure I.

### POWERCOMMAND Button (Fig. K)

The POWERCOMMAND feature allows you to advance the length of cutting line available while trimming.

- ◆ To extend the cutting line, fully depress the POWERCOMMAND button (4) while trimming and then release (figure K).

**Note:** The trimmer will stop cutting when the POWERCOMMAND button is pressed and will resume cutting when released.

- ◆ For maximum line length, press the button multiple times until you hear the cutting line hitting the guard.

**Note:** Do not continue to press the POWERCOMMAND button once the maximum length is reached. This will result in overfeeding and will consume string quickly.

### Convert to edging mode (Fig. L, M)

**Warning!** The wheeled edge guide should only be used when in the edging mode.

The trimmer can be used in trimming mode or edging mode to trim overhanging grass along lawn edges and flower beds. For edging, the trimmer head should be in the position shown in Figure M. If it is not:

- ◆ Remove the battery from the trimmer.
- ◆ Grasp the flip-to-edge collar (8) and push down as shown in part 1 of Figure L.
- ◆ Rotate the flip-to-edge collar 180° counterclockwise as shown in part 2, until the handle snaps back into the upper half of the trimmer.
- ◆ To return to trimming position, pull the flip-to-edge collar down and rotate the head clockwise back to its original position.

**Note:** You will experience faster than normal cutting line wear if the trimmer line is positioned directly over the sidewalk or abrasive surface.

### Edging (Fig. M)

**Warning!** When being used as an Edger, stones, pieces of metal and other objects can be thrown out at high speed by the line. The trimmer and guard are designed to reduce the danger. However, **MAKE SURE** that other persons and pets are at least 30 m away. Optimum cutting results are achieved on edges deeper than 50 mm.

- ◆ Do not use this trimmer to create trenches.
- ◆ Using the edging wheel (10), guide the trimmer as shown in Figure M.
- ◆ Position the edging wheel on the edge of the sidewalk or abrasive surface so the cutting line is over the grass or dirt area to be edged.
- ◆ To make a closer cut, slightly tilt the trimmer.

### Speed control & runtime extension mode (Fig. N)

This string trimmer gives you the choice to operate at a more efficient speed to extend the runtime for larger jobs, or accelerate the trimmer speed for high-performance cutting (Figure N).

- ◆ To extend runtime, pull the speed-control switch (5) back toward the battery (13) into position #1. This mode is best for larger projects that require more time to complete.
- ◆ To accelerate the trimmer, push the speed-control switch forward toward the trimmer head (9) into position #2. This mode is best to cut through heavier growth and for applications that need higher RPM.

**Note:** When in acceleration mode (#2), runtime will be decreased as compared to when trimmer is in extended runtime mode (#1).

### Helpful cutting tips

- ◆ Use the tip of the string to do the cutting; do not force string head into uncut grass. Use edge guide along such things as fences, houses and flower beds for best practices.
- ◆ Wire and picket fences cause extra string wear, even breakage. Stone and brick walls, curbs, and wood may wear string rapidly.
- ◆ Do not allow spool cap to drag on ground or other surfaces.
- ◆ In long growth cut from the top down and do not exceed 300 mm high.
- ◆ Keep trimmer tilted toward the area being cut; this is the best cutting area.
- ◆ The trimmer cuts when passing the unit from the right to left. This will avoid throwing debris at the operator.
- ◆ Avoid trees and shrubs. Tree bark, wood moldings, siding, and fence posts can easily be damaged by the string.

### Clearing jams and tangled line (Figures O, P, Q)

**Warning!** Remove the battery from the trimmer before making any assembly, adjustments or changing accessories. Such preventive safety measures reduce the risk of starting the appliance accidentally. From time to time, especially when cutting thick or stalky weeds, the line feeding hub may become clogged with sap or other material and the line will become jammed as a result. To clear the jam, follow the steps listed below.

- ◆ Remove the battery from the trimmer.
- ◆ Press the release tabs (23) on the line spool cap (24), as shown in Figure O and remove the cap by pulling it straight off.
- ◆ Pull the nylon line spool out and clear any broken line or cutting debris from the spool area.
- ◆ Place spool and line into spool cap with line "parked" in slots provided as shown in Figure P1.
- ◆ Insert the line end through the appropriate hole in the spool housing. Pull slack line through until it pulls out of the holding slots as shown in Figure P2.
- ◆ Press the spool down gently and rotate it until you feel it drop into place and then push to snap into place. (When in place, the spool will turn a few degrees left and right freely).
- ◆ Take care to keep the line from becoming trapped under the spool.
- ◆ Align the spool cap tabs with the slots on the spool housing.
- ◆ Snap the spool cap back on as shown in Figure Q by depressing lugs and pressing into spool housing.

**Note:** Make sure that cover is fully positioned, listen for two audible clicks to ensure both lugs are correctly located. Power the appliance on. In a few seconds or less you'll hear the nylon line being cut automatically to the proper length.

**Warning!** To avoid appliance damage, if the cutting line protrudes beyond the trimming blade, cut it off so that it just reaches the blade.

**Note:** Other replacement parts (guards, spool caps, etc.) are available through BLACK+DECKER service centers. To find your local service location visit [www.blackanddecker.com](http://www.blackanddecker.com).

**Warning!** The use of any accessory not recommended by BLACK+DECKER for use with this appliance could be hazardous.

### Replacing the spool (Fig. O, P, Q, R)

- ◆ Remove battery from appliance.
- ◆ Depress the tabs (23) and remove the spool cap (24) from the spool housing (12) (Figure O).
- ◆ Grasp empty spool with one hand and spool housing with other hand and pull spool out.
- ◆ If lever (25) or spring (26) in base of housing (Figure R) becomes dislodged, replace in correct position before inserting new spool into housing.
- ◆ Remove any dirt and grass from the spool and housing.
- ◆ Unfasten the end of the cutting line and guide the line into the eyelet (P2) Figure P.
- ◆ Take the new spool and push it onto the boss (27) (Figure R) in the housing. Rotate the spool slightly until it is seated. The line should protrude approximately 136 mm from the housing.

- ◆ Align the tabs on the spool cap with the slots in the housing (Figure Q).
- ◆ Push the cap onto the housing until it snaps securely into place.

### Rewinding spool from bulk line (Fig. S, T, U)

Bulk line is also available for purchase from your local retailer.

**Note:** Hand wound spools from bulk line are likely to become tangled more frequently than BLACK+DECKER factory wound spools. For best results, factory wound spools are recommended. To install bulk line, follow the steps below:

- ◆ Remove battery from appliance.
- ◆ Remove the empty spool from the appliance as described in "Replacing the spool."
- ◆ Remove any remaining cutting line from the spool.
- ◆ Make a fold at the end of the cutting line at about 19 mm (28). Feed the cutting line into one of the line anchoring slots (29) as shown in Figure S.
- ◆ Insert the 19 mm end of the bulk line into the hole (30) in the spool adjacent to the slot as shown in Figure T. Make sure the line is pulled tight against the spool as shown in Figure T.
- ◆ Wind the cutting line onto the spool in the direction of the arrow on the spool. Make sure to wind the line on neatly and in layers. Do not crisscross (Figure U).
- ◆ When the wound cutting line reaches the recesses (31), cut the line (Figure T).
- ◆ Fit the spool onto the appliance as described in "Replacing the spool".

### Maintenance

Your BLACK+DECKER corded/cordless appliance/tool has been designed to operate over a long period of time with a minimum of maintenance. Continuous satisfactory operation depends upon proper tool/appliance care and regular cleaning.

Your charger does not require any maintenance apart from regular cleaning.

**Warning!** Before performing any maintenance on corded/cordless power tools:

- ◆ Switch off and unplug the appliance/tool.
- ◆ Or switch off and remove the battery from the appliance/tool if the appliance/tool has a separate battery pack.
- ◆ Or run the battery down completely if it is integral and then switch off.
- ◆ Unplug the charger before cleaning it. Your charger does not require any maintenance apart from regular cleaning.
- ◆ Regularly clean the ventilation slots in your tool/appliance and charger using a soft brush or dry cloth.
- ◆ Regularly clean the motor housing using a damp cloth. Do not use any abrasive or solvent-based cleaner.

- ◆ Regularly clean the cutting line and spool using a soft brush or dry cloth.
- ◆ Regularly use a blunt scraper to remove grass and dirt from the underneath of the guard.

### Troubleshooting

Problem	Solution
<b>Appliance runs slowly.</b>	Remove battery from trimmer.  Check that the spool housing can rotate freely. Carefully clean it if necessary.  Check that the cutting line does not protrude more than approximately 122 mm from the spool. If it does, cut it off so that it just reaches the line trimming blade
<b>EASYFEED™ does not feed more line.</b>	Keep the tabs depressed and remove the spool from the spool housing in the trimmer head. Ensure that the line is not crisscrossed on the spool as detailed in Figure U. If it is, unwind the cutting line, then wind it back on the spool neatly so that the lines do not cross. Inspect tracks at the bottom of spool for damage. If damaged, replace spool. Pull the cutting line until it protrudes approximately 122mm from the spool. If insufficient cutting line is left on the spool, install a new spool of cutting line. Align the tabs on the spool cap with the cut outs in the housing. Push the spool cap onto the housing until it snaps securely into place. If the cutting line protrudes beyond the trimming blade, cut it off so that it just reaches the blade. If the automatic line feed still does not work or the spool is jammed, try the following suggestions: Carefully clean the spool and housing. Make sure you are using correct line size and diameter 1.65 mm - smaller and larger line sizes will affect the functionality of the auto feed system. Remove the spool and check if the lever in the spool housing can move freely. Remove the spool and unwind the cutting line, then wind it on neatly again. Replace the spool into the housing.
<b>Overfeeding</b>	Ensure you are cutting with the tip of the line 177 mm from the spool. Use the edge guide if needed to ensure proper space is maintained. Ensure you are not exceeding a 10° angle as shown in (Fig. J1). Avoid contact of the line with hard surfaces such as brick, concrete, wood etc. This will prevent excessive wear and/or overfeed of line. Cut with the tip of the line
<b>Line unravels when cap or spool is removed</b>	Make sure to park the lines in holding slots (Figure P) before removing.

### Protecting the environment



Separate collection. Products and batteries marked with this symbol must not be disposed of with normal household waste.

Products and batteries contain materials that can be recovered or recycled reducing the demand for raw materials. Please recycle electrical products and batteries according to local provisions. Further information is available at [www.2helpU.com](http://www.2helpU.com)

### **Service Information**

Black & Decker offers a full network of company-owned and authorized service locations throughout Asia. All Black & Decker Service Centers are staffed with trained personnel to provide customers with efficient and reliable product service.

Whether you need technical advice, repair, or genuine factory replacement parts, contact the Black & Decker location nearest to you.

### **Note**

- ◆ Black & Decker's policy is one of continuous improvement to our products and, as such, we reserve the right to change product specifications without prior notice.
- ◆ Standard equipment and accessories may vary by country.
- ◆ Product specifications may differ by country.
- ◆ Complete product range may not be available in all countries. Contact your local Black & Decker dealers for range availability.

## STC1820EPCF PEMANGKAS RUMPUT

### Data teknis

STC1820EPCF		
Voltase Input	$V_{DC}$	18
Kecepatan Tanpa Beban	$\text{mm}^{-1}$	5500 - 7400
Berat	kg	2,1
Baterai		
BL2018		
Voltase	$V_{DC}$	18
Kapasitas	Ah	2.0
Tipe		Li-Ion
Pengisi daya		
Voltase Input	$V_{AC}$	220-240
Voltase Output	$V_{DC}$	18
Bolak-Balik	mA	1000

### Tujuan Penggunaan

Pemangkas rumput BLACK+DECKER STC1820EPCF Anda telah dirancang untuk memotong rumput dan merapikan tepi rumput, serta untuk memotong rumput di tempat sempit. Peralatan ini hanya ditujukan untuk penggunaan non-profesional.

### Petunjuk keselamatan

**Peringatan!** Bila menggunakan peralatan listrik, tindakan pencegahan dasar untuk keselamatan, termasuk yang berikut, harus selalu diikuti untuk mengurangi risiko kebakaran, sengatan listrik, cedera tubuh, dan kerusakan bahan.

**Peringatan!** Saat menggunakan mesin, aturan keselamatan harus dipatuhi. Untuk keselamatan Anda dan orang-orang di sekitar Anda, harap baca petunjuk ini sebelum mengoperasikan mesin. Harap simpan petunjuk di tempat yang aman untuk digunakan nanti.

- ◆ Bacalah seluruh isi panduan ini dengan saksama sebelum mengoperasikan peralatan.

- ◆ Tujuan penggunaan alat ini dijelaskan dalam buku petunjuk ini. Penggunaan aksesoris atau peralatan tambahan atau pengoperasian peralatan selain yang disarankan dalam panduan ini dapat menimbulkan risiko cedera diri.
- ◆ Simpan buku petunjuk ini sebagai referensi di masa mendatang.

### Menggunakan peralatan Anda

Saat menggunakan peralatan ini, selalu berhati-hatilah.

- ◆ Selalu gunakanacamata pengaman atau pelindung.
- ◆ Jangan biarkan anak-anak atau orang dengan keterbatasan kemampuan fisik, sensor, maupun mental atau kurang pengalaman dan pengetahuan atau orang-orang yang tidak memahami petunjuk ini menggunakan mesin ini, peraturan setempat mungkin membatasi usia operator.
- ◆ Jangan mengoperasikan alat ini saat orang lain, khususnya anak-anak, atau binatang peliharaan tengah berada di dekat Anda.
- ◆ Jangan mengizinkan anak-anak atau hewan dekat-dekat di area kerja atau menyentuh peralatan.
- ◆ Pengawasan yang ketat diperlukan saat peralatan digunakan di dekat anak-anak.
- ◆ Peralatan ini tidak ditujukan untuk digunakan oleh anak-anak atau orang yang lemah tanpa adanya pengawasan.
- ◆ Jangan biarkan alat digunakan sebagai mainan.
- ◆ Gunakan peralatan hanya pada siang hari atau di bawah pencahayaan yang cukup.
- ◆ Gunakan di lokasi yang kering saja. Jangan biarkan peralatan basah.

- ◆ Hindari menggunakan peralatan dalam kondisi cuaca yang buruk, terutama saat terdapat risiko petir.
- ◆ Jangan benamkan peralatan di air.
- ◆ Jangan membuka casing bodi. Tidak ada komponen yang dapat diservis oleh pengguna di dalamnya.
- ◆ Jangan mengoperasikan peralatan ini di lingkungan yang mudah menimbulkan bahaya ledakan, seperti di tempat yang terdapat cairan, gas, atau debu yang mudah terbakar.
- ◆ Peralatan hanya digunakan dengan unit catu daya yang disertakan bersama peralatan.

### Risiko-risiko lain.

Risiko-risiko lain dapat timbul saat menggunakan alat, yang mungkin tidak tercantum dalam peringatan keselamatan yang disertakan.

Risiko-risiko ini dapat diakibatkan oleh penyalahgunaan, penggunaan yang terlalu lama, dsb.

Sekalipun peraturan keselamatan terkait sudah diterapkan dan peralatan pengaman sudah digunakan, risiko-risiko lain tertentu tidak dapat dihindari. Ini meliputi:

- ◆ Cedera yang diakibatkan karena menyentuh komponen yang berputar/bergerak.
- ◆ Cedera yang terjadi saat mengganti komponen, pemotong, atau aksesori.
- ◆ Cedera yang diakibatkan karena penggunaan alat untuk waktu lama. Jika menggunakan alat apa pun untuk waktu yang lama, pastikan Anda mengistirahatkannya secara berkala.
- ◆ Kerusakan indera pendengaran.
- ◆ Bahaya kesehatan yang disebabkan oleh menghirup debu yang ditimbulkan

oleh penggunaan alat (contoh:- mengebor kayu, khususnya kayu oak, beech, dan MDF.)

### Setelah digunakan

- ◆ Bila tidak digunakan, peralatan ini harus disimpan di tempat yang kering, berventilasi baik dan jauh dari jangkauan anak-anak.
- ◆ Jangan biarkan anak-anak mengakses peralatan yang disimpan.
- ◆ Ketika peralatan disimpan atau diangkat dalam kendaraan, peralatan harus ditempatkan di bagasi atau ditahan untuk mencegah gerakan berikut perubahan yang mendadak karena kecepatan atau belokan.

### Pemeriksaan dan perbaikan

- ◆ Sebelum digunakan, periksa apakah ada komponen peralatan yang rusak atau cacat. Periksa kerusakan komponen dan kondisi lain apa pun yang dapat mempengaruhi operasi mesin.
- ◆ Jangan gunakan peralatan ini jika ada komponen yang rusak atau cacat.
- ◆ Minta agen perbaikan resmi untuk memperbaiki atau mengganti bagian yang rusak maupun cacat.
- ◆ Jangan coba melepas atau mengganti bagian apa pun selain yang ditentukan dalam panduan ini.

### Petunjuk keselamatan tambahan untuk pemangkas rumput

**Peringatan!** Elemen pemotong akan terus berputar setelah motor dimatikan.

- ◆ Kenalilah semua tuas pengendali serta cara penggunaan peralatan yang benar.
- ◆ Selalu lepas baterai dari peralatan saat peralatan tidak digunakan, sebelum



membersihkan penyumbatan, sebelum melakukan tindakan pembersihan dan perawatan, setelah peralatan menabrak benda asing, atau kapan pun peralatan mulai bergetar secara tidak normal.

- ◆ Gunakan sepatu yang tebal atau sepatu boot untuk melindungi kaki Anda.
- ◆ Gunakan celana panjang untuk melindungi kaki Anda.
- ◆ Sebelum menggunakan peralatan, periksalah apakah jalur pemotongan telah bersih dari batang kayu, bebatuan, kabel, dan benda-benda lainnya.
- ◆ Hanya gunakan peralatan dalam posisi tegak, dengan benang pemotong di dekat tanah. Jangan pernah menyalakan peralatan dalam posisi lainnya.
- ◆ Berjalanlah pelan-pelan saat menggunakan peralatan ini. Waspadalah karena rumput yang baru dipotong kondisinya basah dan licin.
- ◆ Jangan bekerja di atas bidang dengan kemiringan yang curam. Saat bekerja di atas bidang miring, arah pemotongan harus dibuat dari kiri ke kanan melintasi permukaannya, jangan pernah dari atas ke bawah.
- ◆ Jangan melewati jalur atau jalan yang berkerikil sementara peralatan Anda sedang beroperasi.
- ◆ Jangan pernah menyentuh benang pemotong saat peralatan sedang beroperasi.
- ◆ Jangan pernah menaruh peralatan hingga benang pemotong benar-benar telah berhenti sepenuhnya.
- ◆ Hanya gunakan jenis benang pemotong yang tepat. Jangan pernah menggunakan benang pemotong yang terbuat dari logam atau benang pancing.

- ◆ Berhati-hatilah untuk tidak menyentuh bilah pemotongan benang.
- ◆ Jauhkanlah tangan dan kaki Anda dari garus pemotong setiap saat, terutama saat menyalakan motor.
- ◆ Sebelum menggunakan peralatan dan setelah dampak apa pun, periksalah tanda keausan atau kerusakan, dan perbaiki seperlunya.
- ◆ Jangan pernah mengoperasikan peralatan dengan pelindung yang rusak atau tanpa pelindung yang terpasang.
- ◆ Berhati-hatilah agar terhindar dari cedera akibat perangkat apa pun yang dipasang untuk memangkas panjang benang filamen. Setelah menambahkan benang pemotong yang baru, selalu kembalikan peralatan ke posisi pengoperasian normal sebelum menyalakannya.
- ◆ Selalu pastikan bahwa slot ventilasi bebas dari debu.

## Petunjuk keselamatan tambahan untuk baterai dan pengisi daya

### Baterai

- ◆ Jangan pernah membuka baterai untuk alasan apa pun.
- ◆ Jangan paparkan baterai pada air.
- ◆ Jangan simpan di lokasi yang suhunya melebihi 40 °C.
- ◆ Lakukan pengisian daya hanya pada suhu lingkungan antara 10 °C hingga 40 °C.
- ◆ Isi ulang daya hanya menggunakan pengisi daya yang disertakan bersama alat.
- ◆ Saat membuang baterai, ikuti petunjuk yang diberikan dalam bagian "Melindungi lingkungan".

## Pengisi daya

- Hanya gunakan pengisi daya BLACK+DECKER Anda yang telah disertakan untuk mengisi daya baterai dalam alat. Baterai lain dapat meledak, menyebabkan cedera diri dan kerusakan.
- Jangan pernah mengisi ulang daya baterai yang tidak dapat diisi ulang.
- Segera ganti kabel yang rusak.
- Jangan paparkan pengisi daya pada air.
- Jangan membuka pengisi daya.
- Jangan membongkar untuk memeriksa bagian dalam pengisi daya.



Pengisi daya ini hanya ditujukan untuk penggunaan di dalam ruangan.



Baca buku petunjuk sebelum penggunaan.

## Keselamatan kelistrikan



Pengisi daya ini berisolasi ganda; oleh sebab itu tidak perlu kabel arde (ground). Selalu periksa apakah voltase listrik sudah sesuai dengan tegangan yang tercantum pada pelat spesifikasi. Jangan pernah mencoba untuk mengganti unit pengisi daya dengan steker listrik biasa.

- Jika rusak, kabel daya harus diganti oleh produsen atau Pusat Servis BLACK+DECKER resmi guna menghindari terjadinya bahaya.

## Label pada peralatan

Piktogram berikut beserta kode tanggal ditampilkan pada peralatan dengan kode tanggal:



Bacalah buku petunjuk ini sebelum memulai pengoperasian.



Gunakan kaca mata keselamatan atau pelindung saat mengoperasikan peralatan ini.



Gunakan pelindung telinga yang tepat saat mengoperasikan peralatan ini.



Selalu lepas baterai dari peralatan sebelum melakukan tindakan pembersihan atau perawatan apa pun.



Waspadalah terhadap benda-benda yang beterbangan. Jauhkan orang-orang yang berada di sekitar Anda dari area pemotongan.



Jangan biarkan peralatan ini terkena hujan atau berada dalam kondisi basah.



## Fitur-Fitur

Peralatan ini memiliki beberapa atau semua fitur berikut ini.

1. Pemicu
2. Tombol pengunci
3. Gagang
4. Tombol POWERCOMMAND
5. Sakelar kontrol kecepatan
6. Pegangan tambahan
7. Cincin penyesuai ketinggian
8. Cincin pembalik pinggir
9. Kepala alat pemangkas
10. Piringan penggiran
11. Pelindung
12. Wadah kumparan benang
13. Baterai

## Mengisi ulang baterai (gambar A)

Baterai perlu diisi ulang sebelum penggunaan pertama dan setiap kali baterai tidak mampu menghasilkan daya yang memadai untuk mengerjakan pekerjaan yang sebelumnya mudah dilakukan.

Baterai akan menghangat pada saat diisi ulang; ini wajar dan tidak menandakan adanya masalah.

**Peringatan!** Jangan isi daya baterai pada suhu sekitar di bawah 10°C atau di atas 40°C. Suhu pengisian daya yang disarankan: sekitar 24 °C.

**Catatan:** Pengisi daya tidak akan mengisi ulang baterai jika suhu sel di bawah kurang lebih 10 °C atau di atas 40 °C.

Baterai harus dibiarkan dalam pengisi daya, dan pengisi daya akan mulai mengisi ulang daya secara otomatis bilamana suhu sel menghangat atau mendingin.

- ◆ Sambungkan pengisi daya pada stop kontak yang sesuai sebelum memasukkan baterai.
- ◆ Masukkan baterai ke dalam pengisi daya.



LED hijau akan berkedip yang menunjukkan bahwa baterai sedang diisi dayanya.



LED hijau akan menyala terus menerus sebagai indikasi bahwa pengisian daya sudah selesai. Kemasan sudah terisi daya penuh dan dapat digunakan sekarang, atau dibiarkan di dalam pengisi daya

**Peringatan!** Isi ulang baterai yang habis sesegera setelah digunakan atau masa pakai baterai dapat sangat berkurang.

### Diagnosis pengisi daya

Pengisi daya ini dirancang untuk mendeteksi masalah tertentu yang dapat muncul pada baterai atau sumber listrik. Adanya masalah ditunjukkan dengan satu LED yang berkedip dengan pola yang berbeda.

### Baterai Buruk



Pengisi daya dapat mendeteksi baterai yang lemah atau rusak. LED merah berkedip dengan pola yang ditunjukkan pada label. Apabila pola kedipan baterai yang buruk ini terlihat, jangan lanjutkan pengisian daya baterai. Kembalikan baterai ke pusat layanan atau tempat pengumpulan untuk didaur ulang

### Penundaan Kemasan Panas/Dingin



Ketika pengisi daya mendeteksi baterai terlalu panas atau terlalu dingin, secara otomatis pengisi daya akan memulainya Penundaan Kemasan Panas/Dingin, yaitu menunda pengisian daya sampai baterai normal kembali. Setelah hal ini terjadi, secara otomatis pengisi daya beralih ke mode Pengisian Daya Kemasan. Fitur ini memastikan masa pakai baterai maksimum. LED merah berkedip dengan pola yang ditunjukkan pada label saat penundaan kemasan Panas/Dingin terdeteksi.

### Meninggalkan baterai dalam pengisi daya

Pengisi daya dan baterai dapat dibiarkan terhubung dengan lampu LED menyala tanpa batas waktu. Pengisi daya akan menjaga baterai tetap dalam kondisi baik dan terisi penuh.

### Catatan pengisian daya penting

- ◆ Masa pakai terlama dan kinerja terbaik bisa didapatkan jika baterai diisi daya pada saat suhu udara sekitar 65°F dan 75°F (18°- 24°C). JANGAN mengisi daya baterai dalam suhu udara di bawah +40°F(+4,5°C), atau di atas +105°F (+40,5°C). Ini penting dan akan mencegah kerusakan parah pada baterai .
- ◆ Pengisi daya dan baterai bisa menjadi hangat saat tersentuh ketika sedang mengisi daya. Kondisi ini normal dan tidak menunjukkan adanya masalah. Untuk memudahkan pendinginan baterai setelah digunakan, jangan menempatkan pengisi daya atau baterai dalam lingkungan yang hangat seperti di gudang logam, atau trailer yang tidak berinsulasi
- ◆ Jika baterai tidak mengisi daya dengan benar:
  - ◆ Periksa arus pada stopkontak dengan mencolokkan lampu atau peralatan lainnya
  - ◆ Periksa apakah stopkontak terhubung ke sakelar lampu yang mematikan daya saat Anda mematikan lampu.
  - ◆ Pindahkan pengisi daya dan baterai ke lokasi dengan suhu udara sekitar antara 65°F - 75°F (18°- 24°C).
  - ◆ Jika masalah pengisian daya masih berlanjut, bawaah peralatan, kemasan baterai, dan pengisi daya ke pusat servis setempat Anda.
- ◆ Baterai harus diisi ulang saat gagal menghasilkan daya yang cukup pada pekerjaan yang mudah dilakukan sebelumnya. JANGAN LANJUTKAN menggunakan dengan kondisi-kondisi berikut. Ikuti prosedur pengisian daya. Anda juga dapat mengisi daya baterai yang digunakan sebagian kapan pun Anda mau dengan tanpa efek samping pada baterai.
- ◆ Benda-benda asing bersifat penghantar listrik semacam ini dapat berupa, namun tidak terbatas pada: serat baja, kertas aluminium, atau tumpukan partikel-partikel logam, yang semuanya harus dijauhkan dari rongga-rongga pengisi daya. Selalu cabut pengisi daya dari catu daya bilamana tidak ada baterai dalam rongga. Cabut pengisi daya sebelum membersihkannya.
- ◆ Jangan membekukan atau membenamkan pengisi daya dalam air atau cairan lain.

**Peringatan!** Bahaya sengatan listrik. Jaga agar tidak ada cairan masuk ke dalam pengisi daya. Jangan pernah berusaha membuka baterai untuk alasan apa pun. Jika wadah plastik baterai rusak atau retak, kembalikan ke pusat layanan untuk didaur ulang.

### Memasang dan melepaskan kemasan baterai dari peralatan

**Peringatan!** Pastikan tombol pengunci tidak diaktifkan untuk mencegah aktuasi sakelar sebelum melepas atau memasang baterai.

### Untuk memasang baterai

Pasang baterai (13) ke peralatan hingga terdengar bunyi klik (Gambar B). Pastikan baterai benar-benar terpasang dan terkunci ke posisi.

### Untuk melepas baterai

Tekan tombol pelepas baterai (14) seperti yang ditunjukkan pada Gambar C dan tarik baterai dari peralatan.

### Perakitan

**Peringatan!** Sebelum perakitan, pastikan alat telah dimatikan dan baterai telah dilepas.

**Diperlukan alat perakitan (tidak disertakan):**

Obeng Phillips.

### Memasang pegangan (Gbr. D,E)

**Peringatan!** Melepas baterai dari peralatan sebelum berupaya memasang pelindung, panduan pinggiran, atau pegangan. Jangan pernah mengoperasikan peralatan tanpa pelindung yang terpasang kuat di tempatnya. Pelindung harus selalu berada di peralatan guna melindungi pengguna.

- ◆ Lepas sekrup dari pelindung.
- ◆ Balikkan pemangkas rumput sehingga Anda dapat melihat penutup kumparan benang (15).
- ◆ Balik pelindung (11) dan geser pelindung ke rangka motor (16). Pastikan tab (17) pada pelindung mengaktifkan bingkai (18) pada tempat motor seperti yang ditunjukkan.
- ◆ Lanjutkan untuk menggeser pelindung hingga terdengar bunyi "klik" pada posisinya. Tab pengunci (19) harus masuk ke slot wadah(20).
- ◆ Dengan menggunakan obeng phillips, pasang sekrup pelindung dan kencangkan seperti yang ditunjukkan di Gambar E untuk menyelesaikan perakitan pelindung.
- ◆ Setelah pelindung terpasang, lepaskan penutup dari bilah benang bilah pemotong, yang ada di tepi pelindung

**Peringatan!** Jangan pernah menggunakan alat tanpa pelindung yang telah terpasang dengan benar.

### Memasang pegangan tambahan (Gbr. F, G, H)

- ◆ Untuk memasang pegangan, tekan tombol (21) di kedua sisi rangka bagian atas seperti yang ditunjukkan di Gambar F.
- ◆ Posisikan pegangan seperti yang ditunjukkan Gambar G (dengan logo BLACK+DECKER yang menghadap ke atas). Dorong sebagian pegangan, sehingga pegangan akan menahan tombol saat Anda melepaskannya dengan kedua tangan Anda.
- ◆ Dorong pegangan seluruhnya ke rangka dan posisikan sedikit hingga terdengar suara "klik" pada posisinya.
- ◆ Untuk menyesuaikan pegangan ke atas atau ke bawah, tekan tombol (22) dan angkat atau turunkan pegangan (Gambar H).
- ◆ Pegangan harus disesuaikan, sehingga lengan depan Anda lurus saat pemangkas rumput berada dalam posisi kerja.

### Penyesuaian ketinggian (Gbr. I, J-J3)

**Peringatan!** Penyesuaian panjang pemangkas rumput untuk mendapatkan posisi kerja yang tepat ditunjukkan di Gambar J – J3.

- ◆ Ketinggian pemangkas rumput secara keseluruhan dapat disesuaikan dengan melonggarkan cincin penyesuai tinggi (7) dengan memutar searah panah seperti yang ditunjukkan di Gambar I.
- ◆ Pindahkan rangka bagian atas dengan posisi tegak lurus atau melintang. Saat mencapai tinggi yang diinginkan, kencangkan cincin dengan memutarnya berlawanan dengan arah yang ditunjukkan di Gambar I.

### Melepaskan benang pemotong

Saat transit, benang pemotong ditempelkan ke wadah kumparan benang.

- ◆ Lepaskan isolasi penyangga benang pemotong ke wadah kumparan benang.

### Pengoperasian

**Peringatan!** Selalu gunakan pelindung mata yang tepat.

**Peringatan!** Sebelum Anda menggunakan pemotongan rumput, harap hanya gunakan jenis benang pemotong yang tepat.

**Catatan:** Periksa area yang akan dipotong, apakah sudah bersih dari kawat, kabel, atau benda seperti benang yang dapat mengakibatkan terbelit dalam kumparan atau benang yang berputar. Berhati-hatilah selalu untuk menghindari kawat yang mungkin bengkok ke luar ke jalur alat ini, seperti mata kail di dasar rangkaian rantai pada pagar.

### Menyalakan dan mematikan

- ◆ Untuk menyalakan peralatan, tekan tombol pengunci (2), dan tekan sakelar pemicu (1).
- ◆ Untuk mematikan peralatan, lepaskan sakelar pemicu.

### Mengoperasikan pemangkas rumput (Gbr. I, J-J3)

- ◆ Dengan unit yang menyala, belokkan unit dan gerakkan sisi pemangkas rumput ke samping seperti yang ditunjukkan pada Gambar J.
- ◆ Pertahankan sudut pemotongan sebesar 5° hingga 10° seperti yang ditunjukkan pada Gambar J1. Jangan melebihi 10° (Gambar J2). Potong dengan ujung benang. Untuk menjaga jarak dari permukaan yang kasar, gunakan ujung piringan (10).
- ◆ Pertahankan jarak minimum sejauh 60 cm antara pelindung dan kaki Anda seperti yang ditunjukkan di Gambar J3. Untuk mendapatkan jarak ini, sesuaikan tinggi pemangkas rumput secara keseluruhan seperti yang ditunjukkan di Gambar I.

### Tombol POWERCOMMAND (Gbr. K)

Fitur POWERCOMMAND memungkinkan Anda untuk memperpanjang benang pemotong yang tersedia saat memotong rumput.

- ◆ Untuk menambah benang pemotong, tekan tombol POWERCOMMAND sepenuhnya (4), saat memotong rumput dan lepaskan (gambar K).

**Catatan:** Pemangkas rumput akan berhenti memotong saat tombol POWERCOMMAND ditekan dan akan melanjutkan pemotongan saat dilepaskan.

- ◆ Untuk panjang benang maksimum, tekan tombol beberapa kali hingga Anda mendengar benang pemotong memukul pelindung.

**Catatan:** Jangan terus menekan tombol POWERCOMMAND setelah panjang maksimum dicapai. Hal ini akan mengakibatkan masukan yang berlebihan dan cepat menghabiskan benang.

### Ubah ke mode tepi (Gbr. L, M)

**Peringatan!** Panduan pinggiran berpiringan hanya boleh digunakan saat dalam mode pinggiran.

Pemangkas rumput dapat digunakan di mode pemangkasan atau pinggiran untuk memangkas rumput yang menjuntai di tepi pekarangan dan hamparan bunga. Untuk pinggiran, kepala pemangkas rumput harus diposisikan seperti yang ditunjukkan Gambar M. Jika tidak:

- ◆ Lepas baterai dari pemangkas rumput.
- ◆ Pegang cincin pembalik pinggir (8) dan tekan seperti yang ditunjukkan di bagian 1 Gambar L.
- ◆ Putar cincin pembalik pinggir sebesar 180° berlawanan dengan arah jarum jam seperti yang ditunjukkan di bagian 2, hingga pegangannya kembali terpasang ke separuh bagian atas pemangkas.
- ◆ Untuk mengembalikan posisi pemangkasan, tarik cincin pembalik pinggir ke bawah dan putar kepalanya searah jarum jam agar kembali ke posisi semula.

**Catatan:** Anda akan merasakan pemotongan yang lebih cepat dibandingkan penggunaan benang pemotong normal jika benang pemangkas diposisikan langsung di atas trotoar atau permukaan yang kasar.

### Pinggiran (Gbr. M)

**Peringatan!** Saat digunakan sebagai Peminggir, bebatuan, lembaran logam, dan benda lainnya dapat dilemparkan dengan kecepatan tinggi melalui benang. Pemangkas dan pelindung dirancang untuk mengurangi bahaya. Namun, **PASTIKAN** bahwa orang lain dan hewan berjarak sejauh minimal 30 m dari peralatan. Hasil pemotongan yang optimal akan diperoleh dengan pinggiran yang lebih dalam dari 50mm.

- ◆ Jangan gunakan pemangkas ini untuk membuat parit.
- ◆ Gunakan piringan pinggiran (10), arahkan pemangkas seperti yang ditunjukkan Gambar M.
- ◆ Posisikan piringan pinggiran pada tepi trotoar atau permukaan yang kasar, sehingga benang pemotong yang berada di atas rumput atau area kotor akan bergeser ke pinggir sedikit demi sedikit.
- ◆ Untuk melakukan potongan yang lebih dekat, sedikit miringkan pemangkas.

### Kontrol kecepatan & mode penambahan waktu operasi (Gbr. N)

Alat pemotong rumput ini memberikan Anda pilihan untuk mengoperasikan alat dengan kecepatan yang lebih efisien untuk menambah waktu operasi untuk pekerjaan yang lebih besar, atau meningkatkan kecepatan pemangkas untuk pemotongan kinerja tinggi (Gambar N).

- ◆ Untuk menambah waktu operasi, tarik sakelar kontrol kecepatan (5) kembali ke posisi baterai (13) ke posisi #1. Mode ini sangat cocok untuk proyek yang lebih besar yang memerlukan waktu untuk menyelesaikannya.
- ◆ Untuk meningkatkan pemangkas rumput, dorong sakelar kontrol kecepatan ke arah kepala pemangkas rumput (9) ke posisi #2. Mode ini paling cocok untuk memotong pertumbuhan rumput yang lebat dan untuk peralatan yang membutuhkan RPM lebih tinggi.

**Catatan:** Saat berada dalam mode peningkatan (#2), waktu operasi akan menurun jika dibandingkan dengan pemangkas rumput saat berada dalam mode pengoperasian yang ditambahkan (#1).

### Kiat pemotongan yang bermanfaat

- ◆ Gunakan ujung benang untuk melakukan pemotongan; jangan memaksa kepala benang untuk memotong rumput yang tak bisa dipotong. Gunakan panduan pinggiran pada pagar, rumah, dan hamparan bunga untuk praktik terbaik.
- ◆ Pagar kawat dan pagar pancang menyebabkan penggunaan benang yang berlebih, bahkan kerusakan. Dinding batu dan batu bata, batu tepi jalan, dan kayu dapat mengonsumsi benang dengan cepat.
- ◆ Jangan biarkan penutup kumbaran benang untuk tertarik ke tanah atau permukaan lainnya.
- ◆ Untuk pemotongan rumput yang tumbuh lebat, potong dari atas ke bawah dan jangan melebihi tinggi 300 mm.
- ◆ Pertahankan posisi pemangkas rumput miring menghadap area yang sedang dipotong; ini adalah area pemotongan terbaik.
- ◆ Pemangkas rumput akan memotong saat melintasi unit dari sebelah kanan ke kiri. Langkah ini akan menjauhkan operator dari serpihan.
- ◆ Hindari pohon dan semak-semak. Kulit pohon, cetakan kayu, dinding, dan tiang pagar mudah rusak oleh benang.

### Membersihkan penyumbatan dan benang yang terilit (Gambar O,P,Q)

**Peringatan!** Lepas baterai dari pemangkas rumput sebelum melakukan perakitan, penyesuaian, atau perubahan aksesoris apa pun. Langkah pencegahan tersebut mengurangi risiko peralatan beroperasi tanpa sengaja. Setiap saat, terutama saat memotong ilalang yang lebat atau menjulang, hub pengisian benang mungkin tersumbat dengan getah atau materi lainnya, dan benang akan tersumbat. Untuk membersihkan benang, ikuti langkah yang tertera berikut.

- ◆ Lepaskan baterai dari pemangkas rumput.
- ◆ Tekan tab pelepas (23) pada penutup kumbaran benang (24), seperti yang ditunjukkan di Gambar O dan lepaskan penutup dengan menariknya ke atas.
- ◆ Tarik kumbaran benang nilon dan bersihkan benang yang rusak atau serpihan-serpihan dari area kumbaran benang.
- ◆ Letakkan kumbaran benang dan benang ke dalam penutup kumbaran benang yang sejajar dengan benang yang "digulung" di dalam slot seperti yang ditunjukkan di Gambar P1.

- ◆ Pasang ujung benang melalui lubang yang tepat di wadah kumparan benang. Kendurkan benang hingga benang tertarik di luar slot pegangan seperti yang ditunjukkan Gambar P2.
- ◆ Tekan kumparan benang secara perlahan dan putar hingga Anda merasakannya jatuh dari posisinya, kemudian dorong agar terpasang ke tempatnya. (Saat terpasang, kumparan benang akan berubah beberapa derajat ke arah kiri dan kanan dengan bebas).
- ◆ Jagalah benang agar tidak terbelit di bawah kumparan benang.
- ◆ Sejajarkan tab tutup kumparan benang dengan slot di wadah kumparan benang.
- ◆ Pasang kembali tutup kumparan benang seperti yang ditunjukkan Gambar Q dengan menekan dudukan dan menekan ke wadah kumparan benang.

**Catatan:** Pastikan penutupnya telah terpasang sempurna, dengarkan dua bunyi klik untuk memastikan dudukan terpasang dengan benar. Nyalakan peralatan. Beberapa saat kemudian atau lebih cepat, Anda akan mendengar benang nilon dipotong ke panjang yang sesuai secara otomatis.

**Peringatan!** Untuk menghindari kerusakan pada peralatan, jika benang pemotong menjulur di belakang bilah pemotong, maka potonglah agar benang mencapai bilah.

**Catatan:** Komponen pengganti lainnya (pelindung, penutup kumparan benang, dll.) tersedia di pusat layanan BLACK+DECKER. Untuk menemukan lokasi servis setempat Anda, kunjungi [www.blackanddecker.com](http://www.blackanddecker.com).

**Peringatan!** Penggunaan aksesoris apa pun yang tidak disarankan oleh BLACK+DECKER dengan peralatan ini dapat berbahaya.

### Mengganti kumparan benang (Gbr. O, P, Q, R)

- ◆ Lepas baterai dari peralatan.
- ◆ Tekan tab (23) dan lepas penutup kumparan benang (24) dari wadah kumparan benang (12) (Gambar O).
- ◆ Pegang kumparan benang yang kosong dengan satu tangan dan pegang wadah kumparan benang di tangan satunya dan tariklah kumparan benang.
- ◆ Jika tuas (25) atau pegas (26) di dudukan rangka (Gambar R) macet, ganti dalam posisi yang benar sebelum memasukkan kumparan benang baru ke dalam wadah.
- ◆ Singkirkan kotoran apa pun dan rumput dari kumparan benang dan wadah.
- ◆ Kendurkan ujung benang pemotong dan arahkan benang ke lubang (P2) Gambar P.
- ◆ Ambil kumparan benang baru dan dorong ke ujung (27) (Gambar R) di wadah. Putar kumparan benang secara perlahan hingga kumparan benang terpasang. Benang harus menjulur sekitar 136 mm dari wadahnya.
- ◆ Sejajarkan tab pada penutup kumparan benang dengan slot di rangka (Gambar Q).
- ◆ Dorong penutup ke wadah hingga penutupnya terpasang dengan rapat.

### Gulung kumparan benang dari gulungan benang (Gbr. S, T, U)

Gulungan benang juga tersedia untuk pembelian dari peritel setempat Anda. **Catatan:** Kumparan benang pintalan tangan dari gulungan benang cenderung mudah terbelit dibandingkan kumparan benang pintalan pabrik BLACK+DECKER. Untuk hasil terbaik, kumparan benang pintalan pabrik sebaiknya digunakan. Untuk memasang gulungan benang, ikuti langkah berikut:

- ◆ Lepas baterai dari peralatan.
- ◆ Lepaskan kumparan benang yang kosong dari peralatan seperti yang dijelaskan dalam "Mengganti kumparan benang."
- ◆ Lepaskan benang pemotong yang tersisa dari kumparan benang.
- ◆ Buatlah lipatan pada ujung benang pemotong sekitar 19 mm (28). Masukkan benang pemotong ke slot penahan benang (29) seperti yang ditunjukkan di Gambar S.
- ◆ Pasang ujung gulungan benang sepanjang 19 mm ke lubang (30) di kumparan benang yang berdekatan dengan slot sebagaimana yang ditunjukkan di Gambar T. Pastikan benang ditarik kencang dari kumparan benang sebagaimana yang ditunjukkan di Gambar T.
- ◆ Liilitkan benang pemotong ke kumparan benang searah kumparan benang. Pastikan untuk meliilitkan benang secara rapi dan secara berlapis. Jangan menyilangkan benang (Gambar U).
- ◆ Jika benang pemotong hasil pintalan kepanjangan (31), potonglah benang (Gambar T).
- ◆ Pasang kumparan benang ke peralatan sebagaimana yang dijelaskan di "Mengganti kumparan benang".

### Pemeliharaan

Alat/peralatan listrik berkabel/nirkabel BLACK+DECKER telah dirancang untuk penggunaan jangka panjang dengan perawatan minimal. Pengoperasian yang memuaskan secara terus-menerus bergantung pada perawatan alat/peralatan yang benar serta pembersihan secara teratur. Pengisi daya tidak membutuhkan perawatan lain di luar pembersihan berkala.

**Peringatan!** Sebelum melakukan pemeliharaan apa pun pada perkakas listrik berkabel/nirkabel:

- ◆ Matikan dan cabut peralatan/alat.
- ◆ Atau, matikan dan lepaskan baterai dari peralatan/alat jika peralatan/alat memiliki baterai terpisah.
- ◆ Atau, jika baterai terintegrasi, kosongkan baterai sama sekali, kemudian matikan.
- ◆ Cabut pengisi daya sebelum membersihkannya. Pengisi daya tidak membutuhkan perawatan lain di luar pembersihan berkala.
- ◆ Bersihkan celah ventilasi pada alat dan pengisi daya secara teratur dengan menggunakan sikat lembut atau lap kering.
- ◆ Bersihkan kerangka motor secara teratur dengan menggunakan kain bersih yang lembap. Jangan gunakan bahan pembersih abrasif atau pembersih berbahan dasar larutan apa pun.

- ◆ Bersihkan benang pemotong dan kumparan benang menggunakan sikat yang lembut atau kain yang kering secara teratur.
- ◆ Gunakan alat pengerik tumpul untuk membersihkan rumput dan kotoran dari bagian bawah pelindung.

## Melindungi lingkungan



Pengumpulan terpisah. Produk dan baterai yang ditandai dengan simbol ini tidak boleh dibuang bersama dengan sampah rumah tangga biasa.

Produk dan baterai berisi bahan yang dapat digunakan kembali atau didaur ulang yang mengurangi permintaan kebutuhan bahan baku. Harap mendaur ulang produk listrik dan baterai sesuai dengan ketentuan setempat. Informasi selengkapnya tersedia di [www.2helpU.com](http://www.2helpU.com)

## Informasi Servis

Black & Decker menawarkan jaringan lengkap milik perusahaan dan lokasi servis resmi di seluruh Asia. Semua Pusat Servis Black & Decker memiliki staf terlatih agar dapat memberikan layanan produk yang efisien dan andal kepada konsumen.

Bila Anda membutuhkan saran teknis, perbaikan, atau suku cadang pengganti asli pabrik, hubungi lokasi Black & Decker terdekat.

## Perhatikan

- ◆ Black & Decker memiliki kebijakan untuk terus meningkatkan produk dan karenanya, kami berhak mengubah spesifikasi produk tanpa pemberitahuan sebelumnya.
- ◆ Perlengkapan dan aksesoris standar mungkin akan berbeda di setiap negara.
- ◆ Spesifikasi produk dapat berbeda menurut negara.
- ◆ Pilihan produk lengkap mungkin tidak tersedia di semua negara. Untuk mengetahui ketersediaan rangkaian, hubungi dealer Black & Decker setempat.

Di Im poroleh : PT. Stanley Black & Decker

Alamat : Menara Standard Chartered Level 31

Jl. Prof. Dr. Satrio No. 164 RT/RW 003/004 Kel. Karet, Kec. Setiabudi Jakarta Selatan, 12930 – Indonesia

## Pemecahan masalah

Masalah	Solusi
Peralatan beroperasi secara lambat.	Lepaskan baterai dari pemangkas rumput.  Periksa apakah wadah kumparan benang dapat berputar lancar. Jika perlu, bersihkan secara hati-hati.  Periksa apakah benang pemotong tidak menjuntai lebih dari 122 mm dari kumparan benang. Jika iya, potonglah agar panjang benang sesuai dengan bilah pemangkas
EASYFEED™ tidak memasukkan banyak benang.	Tetap tekan tab dan lepaskan kumparan benang dari wadah kumparan benang di kepala pemangkas. Pastikan benang tidak menyilang di kumparan benang seperti detail pada Gambar U. Jika iya, ulurkan benang pemotong, dan gulung ulang di kumparan benang dengan rapi, sehingga benang tidak menyilang. Periksa jejak pada bagian bawah kumparan benang jika mengalami kerusakan. Jika rusak, ganti kumparan benang. Tarik benang pemotong hingga benang menjuntai sekitar 122mm dari kumparan benang. Jika panjang benang pemotong yang tersisa di kumparan benang tidak mencukupi, pasang kumparan benang pemotong yang baru. Sejajarkan tab pada penutup kumparan benang dengan potongan yang menjulur ke luar kerangka. Tekan penutup kumparan benang ke kerangka hingga kumparan terpasang dengan rapat. Jika benang pemotong menjulur di belakang bilah pemangkas, maka potonglah agar benang mencapai bilah. Jika masukan benang otomatis tidak bekerja atau kumparan benang macet, cobalah saran berikut: Bersihkan kumparan benang dan kerangka dengan hati-hati. Pastikan Anda menggunakan ukuran benang yang tepat dan berdiameter 1,65mm – ukuran benang yang lebih kecil atau lebih besar akan berpengaruh pada fungsionalitas sistem masukan otomatis. Lepaskan kumparan benang dan periksalah jika tuas di kerangka kumparan benang dapat bergerak bebas. Lepaskan kumparan benang dan ulur benang pemotong, kemudian gulung lagi dengan rapi. Ganti kumparan benang di dalam kerangka.
Masukan yang berlebih	Pastikan Anda memotong ujung benang sepanjang 177mm dari kumparan benang. Gunakan panduan pinggirin jika diperlukan untuk memastikan jarak yang tepat. Pastikan Anda tidak melebihi sudut 10° seperti yang ditunjukkan (Gbr. J1). Hindari sentuhan benang dengan permukaan kasar seperti batu bata, beton, kayu, dll. Langkah ini akan mencegah penggunaan dan/atau masukan benang yang berlebihan. Potong ujung benang
Benang akan terurai jika penutup atau kumparan benang dilepaskan	Pastikan untuk meletakkan benang di slot penyangga (Gambar P) sebelum melepaskannya.

**STC1820EPCF**

เครื่องเล็มหญ้าไร้สาย

**ข้อมูลทางเทคนิค**

STC1820EPCF		
แรงดันไฟเข้า	โวลต์ <sub>DC</sub>	18
ความเร็วขณะไม่มีโหลด	รอบ/นาที	5500 - 7400
น้ำหนัก	กก.	2.1
แบตเตอรี่		
BL2018		
แรงดันไฟฟ้า	โวลต์ <sub>DC</sub>	18
ความจุ	แอมป์-ชั่วโมง	2.0
ประเภท		Li-Ion
เครื่องชาร์จ		
แรงดันไฟเข้า	โวลต์ <sub>AC</sub>	220-240
แรงดันไฟออก	โวลต์ <sub>DC</sub>	18
กระแสไฟฟ้า	มิลลิแอมป์	1000

**วัตถุประสงค์ในการใช้งาน**

เครื่องเล็มหญารุ่น STC1820EPCF ของ BLACK+DECKER ออกแบบมาสำหรับการเล็มและตัดแต่งขอบสนามหญ้า และตัดหญ้าในพื้นที่จำกัด เครื่องมือนีมีวัตถุประสงค์เพื่อการใช้งานภายในบ้านเท่านั้น

**ข้อปฏิบัติเพื่อความปลอดภัย**

**คำเตือน!** เมื่อใช้เครื่องมือไฟฟ้าที่ใช้ไฟจากสายเมน ต้องปฏิบัติตามข้อควรระวังเพื่อความปลอดภัยพื้นฐาน รวมทั้งข้อควรระวังต่อไปนี้ เพื่อลดความเสี่ยงต่อการเกิดไฟไหม้ ถูกไฟดูด ได้รับบาดเจ็บ และวัสดุเสียหาย

**คำเตือน!** เมื่อใช้งานเครื่อง ต้องปฏิบัติตามกฎความปลอดภัย โปรดอ่านคำแนะนำเหล่านี้ก่อนใช้งานเครื่อง เพื่อความปลอดภัยของตัวเองและผู้ที่อยู่ใกล้เคียง โปรดเก็บคำแนะนำเพื่อความปลอดภัยนี้เพื่อใช้ในภายหลัง

- อ่านคู่มือเล่มนี้ทั้งหมดอย่างละเอียดก่อนใช้งานเครื่องมือนี้
- วัตถุประสงค์ในการใช้งานได้อธิบายไว้ในคู่มือนี้แล้ว การใช้อุปกรณ์เสริมหรืออุปกรณ์ยึดติด หรือการใช้งานใดๆ กับเครื่องมือนี้ นอกเหนือจากที่ได้แนะนำในคู่มือการใช้งานนี้อาจเสี่ยงต่อการได้รับบาดเจ็บ
- เก็บรักษาคู่มือนี้ไว้เพื่อการอ้างอิงในอนาคต

**การใช้เครื่องมือของคุณ**

พึงใช้ความระมัดระวังทุกครั้งที่ใช้เครื่องมือนี้

- ใช้แว่นตานิรภัยหรือแว่นครอบตา
- ไม่อนุญาตให้เด็ก บุคคลที่มีความบกพร่องทางร่างกาย ทางารรับรู้ความรู้สึก หรือทางจิตประสาท หรือขาดประสบการณ์และความรู้ หรือผู้ที่ไม่รู้วิธีการใช้งานใช้เครื่องมือนี้ กฎระเบียบในแต่ละประเทศ อาจจำกัดอายุของผู้ใช้เครื่อง
- ห้ามใช้งานเครื่องใกล้บุคคลอื่น โดยเฉพาะเด็กเล็กหรือสัตว์เลี้ยง
- อย่าให้เด็กเล็กหรือสัตว์เข้าใกล้บริเวณพื้นที่ทำงานหรือสัมผัสเครื่องมือ
- จะต้องควบคุมดูแลอย่างใกล้ชิดเมื่อใช้เครื่องมือนี้ใกล้เด็ก
- เครื่องมือนี้ไม่ได้มีไว้เพื่อการใช้งานโดยผู้เยาว์หรือผู้ที่ขาดความเชี่ยวชาญโดยไม่มี การควบคุมดูแล
- ห้ามใช้เครื่องมือนี้เป็นของเล่น
- ใช้งานเครื่องเฉพาะในเวลากลางวัน หรือมีแสงสว่างจากไฟที่เพียงพอเท่านั้น



- ใช้ในพื้นที่แห้งเท่านั้น อย่าให้เครื่องมือนี้น้ำเปียก
- หลีกเลี่ยงการใช้เครื่องในสภาพอากาศที่ย่ำแย่ โดยเฉพาะเมื่อมีความเสี่ยงที่จะเกิดฟ้าผ่า
- อย่าจุ่มเครื่องลงในน้ำ
- อย่าเปิดตัวเครื่อง ไม่มีชิ้นส่วนใดที่ผู้ใช้สามารถซ่อมได้อยู่ภายใน
- ห้ามใช้เครื่องมือในบริเวณที่อาจเกิดการระเบิดได้ เช่น ในสถานที่ที่มีขงเหลว แก๊ส หรือฝุ่นผงที่มีคุณสมบัติไวไฟ
- เครื่องมือนี้ต้องใช้ร่วมกับชุดแหล่งจ่ายไฟที่มาพร้อมกับตัวเครื่องเท่านั้น

### ความเสี่ยงอื่นๆ ที่ยังมีอยู่

ความเสี่ยงอื่นๆ ที่ไม่ได้ระบุในคำเตือนเพื่อความปลอดภัยนี้ อาจเกิดขึ้นได้เมื่อใช้เครื่องมือ

ความเสี่ยงเหล่านี้อาจเกิดขึ้นจากการใช้งานอย่างไม่ถูกต้อง การใช้งานเป็นเวลานาน เป็นต้น

แม้ว่าจะปฏิบัติตามข้อกำหนดด้านความปลอดภัยที่เกี่ยวข้อง และใช้อุปกรณ์นิรภัย แต่ความเสี่ยงอื่นๆ ที่ยังมีอยู่บางอย่างก็ไม่สามารถหลีกเลี่ยงได้ ความเสี่ยงเหล่านี้ได้แก่

- การบาดเจ็บที่เกิดจากการสัมผัสชิ้นส่วนที่หมุน/เคลื่อนที่
- การบาดเจ็บที่เกิดขึ้นขณะเปลี่ยนชิ้นส่วน ใบมีด หรืออุปกรณ์เสริม
- การบาดเจ็บที่เกิดจากการใช้เครื่องมือเป็นเวลานาน เมื่อใช้เครื่องมือเป็นระยะเวลาเวลานาน ต้องแน่ใจว่าคุณได้หยุดพักเป็นระยะ

- ความบกพร่องในการได้ยินเสียง
- อันตรายต่อสุขภาพที่เกิดจากการสูดดมฝุ่นจากการใช้เครื่องมือ (ตัวอย่างเช่น การทำงานกับไม้ โดยเฉพาะไม้โอ๊ค ไม้บีช และไม้ MDF)

### หลังการใช้งาน

- เมื่อไม่ได้ออกใช้งาน ควรจะเก็บเครื่องมือนี้ไว้ในที่ที่แห้ง อากาศถ่ายเทได้ดี และพ้นมือเด็ก
- เก็บเครื่องให้พ้นมือเด็ก
- เมื่อเก็บหรือขนส่งเครื่องมือนี้ในรถ จะต้องวางไว้ในช่องเก็บของหรือยึดไว้ให้ดีเพื่อป้องกันไม่ให้เคลื่อนที่ เพราะการเปลี่ยนแปลงความเร็วหรือทิศทางกะทันหัน

### การตรวจสอบและการ

#### ซ่อมแซม

- ก่อนการใช้งาน ตรวจสอบเครื่องเพื่อหาชิ้นส่วนที่บกพร่องหรือชำรุดเสียหาย ตรวจสอบว่ามีการแตกหักของชิ้นส่วนและสภาพอื่นใดที่อาจส่งผลต่อการใช้งานหรือไม่
- ห้ามใช้เครื่องมือหากมีชิ้นส่วนใดๆ ชำรุดเสียหายหรือบกพร่อง
- ให้ศูนย์ซ่อมที่ได้รับอนุญาตเป็นผู้ซ่อมแซมหรือเปลี่ยนชิ้นส่วนที่ชำรุดหรือบกพร่อง
- อย่าพยายามถอดหรือเปลี่ยนชิ้นส่วนใดๆ นอกเหนือจากที่ระบุในคู่มือนี้

## คำแนะนำเพื่อความปลอดภัยเพิ่มเติมสำหรับเครื่องเล็มหญ้า

- ◆ **คำเตือน!** ชิ้นส่วนที่ทำหน้าที่ตัดจะยังหมุนอยู่หลังจากปิดสวิตช์มอเตอร์แล้ว
- ◆ ทำความคุ้นเคยกับวิธีควบคุมและการใช้งานเครื่องมืออย่างถูกวิธี
- ◆ ถอดแบตเตอรี่ออกจากตัวเครื่องเสมอเมื่อไม่ใช้งาน ก่อนที่จะถอดส่วนประกอบ ก่อนการทำ ความสะอาดและซ่อมบำรุง หลังจากตัดโดนวัตถุแปลกปลอม หรือเมื่อตัวเครื่องเริ่มสั่นอย่างผิดปกติ
- ◆ สวมรองเท้าที่แข็งแรงหรือรองเท้าบูตเพื่อป้องกันเท้า
- ◆ สวมกางเกงขายาวเพื่อป้องกันขา
- ◆ ก่อนใช้งาน ตรวจสอบดูเส้นทางที่จะเล็มหญ้าไม่ให้มีกิ่งไม้ หิน เส้นลวด และสิ่งกีดขวางใดๆ
- ◆ ใช้เครื่องมือในตำแหน่งตั้งขึ้น โดยที่เส้นเอ็นตัดต้องอยู่ใกล้พื้นเท่านั้น อย่าเปิดสวิตช์เมื่อเครื่องมืออยู่ในตำแหน่งอื่นเด็ดขาด
- ◆ เคลื่อนที่ช้าๆ ขณะใช้เครื่องมือ ฟังระลึกว่าหญ้าที่เพิ่งตัดจะขึ้นและลื่น
- ◆ ห้ามทำงานบนพื้นที่ลาดชันมากเกินไป การทำงานบนพื้นผิวลาดจะต้องตัดตามขวาง ไม่ใช่ขึ้นหรือลงตามลาด
- ◆ ห้ามข้ามไปบนเส้นทางหรือถนน กรวดขณะเครื่องมือกำลังทำงาน
- ◆ ห้ามสัมผัสสวิตช์เส้นเอ็นตัดขณะเครื่องมือกำลังทำงาน
- ◆ ห้ามวางเครื่องมือลงจนกว่าเส้นเอ็นตัดจะหยุดสนิท
- ◆ ต้องใช้เส้นเอ็นตัดให้ถูกประเภท ห้ามใช้เส้นลวดโลหะหรือเอ็นตกปลา

- ◆ ระวังอย่าสัมผัสสวิตช์ใบมีดตัดเอ็น
- ◆ เก็บมือและเท้าให้อยู่ห่างจากเส้นเอ็นตัดตลอดเวลา โดยเฉพาะเมื่อเปิดสวิตช์มอเตอร์
- ◆ ก่อนใช้งานเครื่องมือและหลังจากมีการกระแทกใดๆ ให้ตรวจหาร่องรอยการสึกหรอหรือชำรุดเสียหาย และซ่อมแซมตามความจำเป็น
- ◆ ห้ามใช้เครื่องมือโดยที่ตัวครอบป้องกันชำรุดเสียหายหรือไม่ได้ใส่ตัวครอบป้องกันเข้าที่
- ◆ ระวังการบาดเจ็บจากอุปกรณ์ใดๆ ที่ใช้สำหรับตัดเส้นเอ็นให้ได้ความยาวที่ต้องการ หลังจากยึดเส้นเอ็นเส้นใหม่แล้ว ต้องให้เครื่องมือกลับสู่ตำแหน่งปกติก่อนเปิดเครื่องทุกครั้ง
- ◆ ตรวจสอบให้แน่ใจว่าช่องระบายอากาศไม่มีเศษขยะใดๆ

## คำแนะนำเพื่อความปลอดภัยเพิ่มเติมสำหรับแบตเตอรี่และเครื่องชาร์จ

### แบตเตอรี่

- ◆ ห้ามพยายามแกะตัวแบตเตอรี่ในทุกกรณี
- ◆ อย่าให้แบตเตอรี่สัมผัสน้ำ
- ◆ ห้ามเก็บแบตเตอรี่ในสถานที่อุณหภูมิอาจสูงเกิน 40 °C
- ◆ ชาร์จแบตเตอรี่ที่อุณหภูมิห้องระหว่าง 10 °C ถึง 40 °C เท่านั้น
- ◆ ชาร์จแบตเตอรี่ด้วยเครื่องชาร์จที่ให้มาพร้อมอุปกรณ์เท่านั้น
- ◆ เมื่อจะทิ้งแบตเตอรี่ ให้ทำตามคำแนะนำในส่วน "การปกป้องสิ่งแวดล้อม"

## เครื่องชาร์จ

- ♦ ใช้เครื่องชาร์จ BLACK+DECKER เพื่อชาร์จแบตเตอรี่ภายในเครื่องที่ให้มาพร้อมกันเท่านั้น การชาร์จแบตเตอรี่ชนิดอื่นๆ อาจทำให้แบตเตอรี่ระเบิดและเกิดการบาดเจ็บและความเสียหายได้
- ♦ ห้ามชาร์จแบตเตอรี่ชนิดชาร์จซ้ำไม่ได้
- ♦ เปลี่ยนสายไฟที่ชำรุดทันที
- ♦ อย่าให้เครื่องชาร์จสัมผัสน้ำ
- ♦ ห้ามแกะเปิดเครื่องชาร์จ
- ♦ ห้ามใช้สิ่งใดหย�เข้าไปในตัวเครื่องชาร์จ



เครื่องชาร์จนี้มีวัตถุประสงค์เพื่อการใช้งานในที่ร่มเท่านั้น



โปรดอ่านคู่มือการใช้งานก่อนใช้เครื่อง

## ความปลอดภัยทางไฟฟ้า



เครื่องชาร์จนี้มีฉนวนสองชั้น ดังนั้นจึงไม่จำเป็นต้องต่อสายดิน ต้องตรวจสอบกำลังไฟเพื่อให้ตรงกับแรงดันไฟฟ้าบนแผ่นแสดงพิกัดเสมอ ห้ามเปลี่ยนสายปลั๊กไฟของเครื่องชาร์จเป็นสายปลั๊กไฟธรรมดาโดยเด็ดขาด

- ♦ หากสายไฟของตัวเครื่องชำรุดเสียหาย ต้องได้รับการเปลี่ยนโดยผู้ผลิตหรือศูนย์บริการของ BLACK+DECKER ที่ได้รับอนุญาตเพื่อหลีกเลี่ยงอันตรายที่อาจเกิดขึ้น

## ป้ายสัญลักษณ์บนเครื่องมือ

รูปภาพและรหัสสีที่ต่อไปนี้จะปรากฏบนเครื่องมือ



อ่านคู่มือก่อนใช้งาน



สวมแว่นตานิรภัยหรือแว่นครอบตาขณะใช้งานเครื่องมือนี้



สวมอุปกรณ์ป้องกันหูที่เหมาะสมขณะใช้งานเครื่องมือนี้



ถอดแบตเตอรี่ออกจากตัวเครื่องก่อนทำความสะอาดหรือซ่อมบำรุงอยู่เสมอ



ระวังสิ่งที่จะอาจปลิวมา กั้นผู้อยู่ใกล้เคียงออกห่างจากบริเวณที่ตัดตลอดเวลา



อย่าให้เครื่องมือเปียกฝนหรือได้รับความชื้นสูง

## ส่วนประกอบสำคัญ

เครื่องมือนี้มีส่วนประกอบบางอย่างหรือทั้งหมดต่อไปนี้

1. สวิตช์
2. ปุ่มล็อค
3. ด้ามจับ
4. ปุ่ม POWERCOMMAND
5. สวิตช์ควบคุมความเร็ว
6. ด้ามจับเสริม
7. ปลดกปรับความสูง
8. ปลดกปรับมุม
9. หัวเครื่องเสริมหญ้า
10. ลูกกลิ้งกันแนว
11. ตัวครอบป้องกัน
12. ช่องใส่เส้นตัดหญ้า
13. แบตเตอรี่

## การชาร์จแบตเตอรี่ (รูป A)

แบตเตอรี่ต้องการการชาร์จไฟก่อนการใช้งานครั้งแรกและทุกครั้งเมื่อแบตเตอรี่ไม่สามารถจ่ายพลังงานได้เพียงพอสำหรับงานที่เคยทำได้โดยง่าย

แบตเตอรี่อาจอุ่นขึ้นระหว่างการชาร์จ ซึ่งถือเป็นเรื่องปกติและไม่ใช่ตัวบ่งชี้ว่าการผิดปกติ

**คำเตือน!** ห้ามชาร์จแบตเตอรี่ในอุณหภูมิห้องที่ต่ำกว่า 10°C หรือสูงกว่า 40°C อุณหภูมิการชาร์จที่เหมาะสม: ประมาณ 24°C

**หมายเหตุ:** เครื่องชาร์จจะไม่ชาร์จแบตเตอรี่หากอุณหภูมิของแบตเตอรี่ต่ำกว่าประมาณ 10°C หรือสูงกว่า 40°C ให้ทิ้งแบตเตอรี่ไว้ในเครื่องชาร์จ แล้วเครื่องชาร์จจะเริ่มชาร์จไฟเองโดยอัตโนมัติเมื่ออุณหภูมิของแบตเตอรี่อุ่นขึ้นหรือเย็นลง

- ◆ เสียบปลั๊กเครื่องชาร์จเข้ากับเต้ารับที่เหมาะสมก่อนเสั๊กก่อนแบตเตอรี่ลงไฟ
- ◆ เสั๊กก่อนแบตเตอรี่ลงในเครื่องชาร์จ



ไฟ LED สีเขียวจะกะพริบเพื่อบอกว่ากำลังชาร์จแบตเตอรี่อยู่



เมื่อไฟ LED สีเขียวติดสว่างอย่างต่อเนื่อง แสดงว่าการชาร์จเสร็จเรียบร้อยแล้ว แบตเตอรี่จะได้รับการชาร์จประจุไฟจนเต็ม และสามารถนำไปใช้ได้เลยหรืออาจปล่อยให้เย็นในเครื่องชาร์จก็ได้

**คำเตือน!** ชาร์จแบตเตอรี่ที่ไม่มีประจุทันทีหลังจากใช้งาน มิฉะนั้นอายุการใช้งานของแบตเตอรี่อาจลดลงอย่างมาก

## การวินิจฉัยเครื่องชาร์จ

เครื่องชาร์จนี้ได้รับการออกแบบให้ตรวจพบปัญหาที่อาจเกิดขึ้นกับแบตเตอรี่หรือแหล่งจ่ายไฟ โดยไฟ LED หนึ่งดวงจะกะพริบในรูปแบบต่างๆ เพื่อแสดงถึงปัญหา

## แบตเตอรี่เสื่อมสภาพ



เครื่องชาร์จสามารถตรวจพบแบตเตอรี่ที่มีกำลังไฟอ่อนหรือชำรุดเสียหาย ไฟ LED สีแดงจะกะพริบเป็นรูปแบบตามที่ปรากฏบนป้าย ถ้าคุณเห็นรูปแบบการกะพริบแบตเตอรี่เสื่อมสภาพ ห้ามชาร์จแบตเตอรี่ดังกล่าวต่อไป ให้นำกลับไปยังศูนย์บริการหรือสถานที่เก็บรวบรวมเพื่อการรีไซเคิล

## หน่วงเวลาเนื่องจากแบตเตอรี่ร้อน/เย็น



เมื่อเครื่องชาร์จพบว่าแบตเตอรี่มีอุณหภูมิร้อนหรือเย็นจนเกินไป เครื่องชาร์จจะเริ่มการหน่วงเวลาเนื่องจากแบตเตอรี่ร้อน/เย็นโดยอัตโนมัติ ซึ่งคือการหน่วงการชาร์จไฟจนกว่าก่อนแบตเตอรี่จะอยู่ในสภาพปกติ หลังจากนั้น เครื่องชาร์จจึงจะสลับมาเป็นโหมดชาร์จไฟโดยอัตโนมัติ คุณสมบัตินี้จะช่วยให้แน่ใจว่าแบตเตอรี่จะมีอายุการใช้งานยาวนานมากที่สุด ไฟ LED สีแดงจะกะพริบเป็นรูปแบบตามที่ปรากฏบนป้าย เมื่อมีการหน่วงเวลาเนื่องจากแบตเตอรี่ร้อน/เย็น

## การทิ้งแบตเตอรี่ไว้ในเครื่องชาร์จ

การต่อเครื่องชาร์จกับแบตเตอรี่นั้นสามารถปล่อยให้เชื่อมต่อได้ไม่จำกัดเวลาโดยที่ไฟ LED ติดสว่าง เครื่องชาร์จจะรักษาแบตเตอรี่และชาร์จไฟไว้ให้เต็มอยู่เสมอ

## หมายเหตุการชาร์จไฟที่สำคัญ

- ◆ การชาร์จแบตเตอรี่ที่อุณหภูมิระหว่าง 65°F ถึง 75°F (18° - 24°C) จะช่วยลดอายุการใช้งานยาวนานที่สุดและมีสมรรถนะที่ดีที่สุด ห้ามชาร์จแบตเตอรี่ที่อุณหภูมิต่ำกว่า +40°F (+4.5°C) หรือสูงกว่า +105°F (+40.5°C) ข้อกำหนดนี้สำคัญมาก และจะช่วยป้องกันไม่ให้เกิดความเสียหายร้ายแรง
- ◆ เครื่องชาร์จและแบตเตอรี่อาจแตะแล้วรู้สึกอุ่นๆ ขณะกำลังชาร์จ ซึ่งถือเป็นเรื่องปกติและไม่ใช่ตัวบ่งชี้ว่าการผิดปกติ วิธีที่จะช่วยระบายความร้อนให้แบตเตอรี่หลังจากใช้งานคือ พยายามอย่าวางเครื่องชาร์จหรือแบตเตอรี่ไว้ในสภาพแวดล้อมที่มีอุณหภูมิอุ่น เช่น ในบริเวณที่คลุมด้วยโลหะ หรือส่วนท้ายรถที่ไม่ได้หุ้มฉนวน
- ◆ หากแบตเตอรี่ไม่ชาร์จไฟตามปกติ:
  - ◆ ตรวจสอบกระแสไฟฟ้าที่เข้ารับโดยการนำโคมไฟหรือเครื่องใช้ไฟฟ้าอื่นๆ มาเสียบดู
  - ◆ ตรวจสอบว่าเต้ารับที่เชื่อมต่อกับสวิทช์ไฟตัดไฟเมื่อคุณเปิดไฟหรือไม่
  - ◆ ย้ายเครื่องชาร์จและแบตเตอรี่ไปยังที่ซึ่งอุณหภูมิอากาศโดยรอบอยู่ที่ประมาณ 65°F - 75°F (18° - 24°C)
  - ◆ หากยังคงประสบปัญหาการชาร์จอยู่ ให้นำเครื่องมือชุดแบตเตอรี่ และเครื่องชาร์จไปยังศูนย์บริการใกล้บ้าน

- ◆ ควรชาร์จไฟชุดแบตเตอรี่ซ้ำ เมื่อชุดแบตเตอรี่ไม่สามารถจ่ายพลังงานได้เพียงพอสำหรับงานที่ เคยทำได้โดยง่าย อย่าวางทิ้งต่อไป ภายใต้ สถานการณ์เหล่านี้ ทำตามขั้นตอนการชาร์จ คุณยังอาจชาร์จแบตเตอรี่ที่ใช้ไฟไปบางส่วนใน เวลาใดก็ตามที่คุณต้องการโดยไม่มีผลเสียต่อ แบตเตอรี่ได้อีกด้วย
- ◆ อย่าให้วัตถุแปลกปลอมที่มีคุณสมบัตินำไฟฟ้า เช่น ฝอยเหล็ก อะลูมิเนียมพอยล์ หรือการสะสมตัว ของอนุภาคโลหะอยู่ในช่องใส่แบตเตอรี่ของ เครื่องชาร์จ และถอดปลั๊กเครื่องชาร์จออกเสมอ เมื่อไม่มีชุดแบตเตอรี่อยู่ในช่องใส่ รวมทั้ง ถอดปลั๊กเครื่องชาร์จทุกครั้งก่อนทำความสะอาด
- ◆ อย่าแช่แข็งหรือจุ่มเครื่องชาร์จในน้ำหรือของเหลว อื่นใด

**คำเตือน!** อันตรายจากการถูกไฟฟ้าช็อต อย่าให้มี ของเหลวเข้าไปภายในเครื่องชาร์จ ห้ามพยายามแกะ ชุดแบตเตอรี่ในทุกกรณี หากปลอกพลาสติกหุ้มชุดแบตเตอรี่แตกหรือร้าว ให้นำ ชุดแบตเตอรี่ตั้งกล่าวไปคืนศูนย์บริการเพื่อรีไซเคิล

**การติดตั้งและการถอดแบตเตอรี่ออกจากเครื่อง**  
**คำเตือน!** ตรวจสอบให้แน่ใจว่าปุ่มล๊อคไม่ได้ทำงานอยู่ เพื่อป้องกันการเปิดสวิตช์เครื่องมือก่อนการถอดหรือติดตั้ง แบตเตอรี่

### เมื่อต้องการใส่แบตเตอรี่

ใส่ก่อนแบตเตอรี่ (13) ลงในเครื่องจนกระทั่งได้ยินเสียงคลิก (รูป B) ตรวจสอบให้แน่ใจว่าใส่แบตเตอรี่เรียบร้อย และล๊อคเข้าที่

### เมื่อต้องการถอดแบตเตอรี่

กดปุ่มปลดล๊อคแบตเตอรี่ (14) ตามที่แสดงในรูป C และ ดึงแบตเตอรี่ออกจากเครื่อง

### การประกอบ

**คำเตือน!** ก่อนการประกอบ ตรวจสอบให้แน่ใจว่าเครื่องมือ ปิดสวิตช์ข้อยู่และถอดแบตเตอรี่แล้ว เครื่องมือที่จำเป็นสำหรับการประกอบ (ไม่มีมาให้): ไขควงปากแฉก

### การใส่ตัวครอบป้องกัน (รูป D, E)

**คำเตือน!** ถอดแบตเตอรี่ออกจากตัวเครื่องก่อนทำการ ติดตั้งตัวครอบป้องกัน ตัวกำหนดขอบ หรือตัวจับ ห้ามเปิดใช้งานเครื่องมือที่ไม่มีตัวครอบป้องกันติดตั้ง อยู่กับที่ ตัวครอบป้องกันต้องอยู่บนตัวเครื่องเสมอเพื่อช่วย ปกป้องผู้ใช้

- ◆ ถอดสกรูออกจากตัวครอบป้องกัน
- ◆ พลิกเครื่องเล็มหญ้าโดยหันด้านล่างขึ้นมาและ คุณจะเห็นฝาครอบเอ็นตัดหญ้า (15)

- ◆ พลิกตัวครอบป้องกัน (11) ขึ้นมาและเลื่อนให้เข้าที่ จนสุดบนตัวโครงมอเตอร์ (16) ตรวจสอบให้แน่ใจว่า แท็บยื่น (17) บนตัวครอบป้องกันล๊อคกับโครง (18) บนตัวโครงมอเตอร์ดังที่แสดงในรูป
- ◆ เลื่อนตัวครอบป้องกันเข้าไปจนคุณได้ยินเสียง “แกร๊ก” เมื่อตัวครอบล๊อคเข้าที่ แท็บล๊อค (19) ควรล๊อคเข้าที่พอดีในช่อง (20)
- ◆ ใส่สกรูปิดตัวครอบและขันให้แน่นโดยใช้ไขควง ปากแฉกดังที่แสดงในรูป E เพื่อประกอบตัวครอบ ป้องกันให้เสร็จสมบูรณ์
- ◆ เมื่อติดตั้งตัวครอบป้องกันแล้ว ให้นำสิ่งที่ปกคลุม อยู่ออกจากใบมีดตัด ซึ่งอยู่บนแนวขอบของตัวครอบ ป้องกัน

**คำเตือน!** ห้ามใช้เครื่องมือตัดขาดนอกจากจะได้ยึด ตัวครอบป้องกันอย่างถูกต้องแล้ว

### การติดตั้งด้ามจับเสริม (รูป F, G, H)

- ◆ หากต้องการติดตั้งด้ามจับ ให้กดปุ่ม (21) บนตัว โครงด้านบนทั้งสองด้านดังที่แสดงในรูป F
- ◆ ใส่ด้ามจับเข้าไปตรงตำแหน่งดังที่แสดงในรูป G (โดยหันโลโก้ BLACK+DECKER ขึ้นด้านบน) ดันด้ามจับเข้าไปครึ่งหนึ่งเพื่อให้ด้ามจับยึดกับปุ่ม เมื่อคุณปล่อยด้วยมือของคุณ
- ◆ ดันด้ามจับให้เข้ากับโครงและค่อยๆ เลื่อนให้เข้าที่ จนได้ยินเสียง “แกร๊ก”
- ◆ หากต้องการปรับตำแหน่งด้ามจับขึ้นหรือลง ให้กดปุ่ม (22) และโยกด้ามจับขึ้นหรือลง (รูป H)
- ◆ ความรู้การปรับด้ามจับเพื่อให้แขนของคุณอยู่ในท่าที่ ถูกต้องเมื่อกำลังใช้งานเครื่องเล็มหญ้า

### การปรับความสูง (รูป I, J-J3)

**คำเตือน!** ปรับความยาวของเครื่องเล็มหญ้าเพื่อให้ได้ ตำแหน่งการทำงานที่ต้องการดังที่แสดงในรูป J - J3

- ◆ ความสูงโดยรวมของเครื่องเล็มหญ้าสามารถปรับ ได้โดยการขันปลอกปรับความสูง (7) ด้วยการหมุน ปลอกไปตามทิศทางของลูกศรซึ่งที่แสดงในรูป I
- ◆ เลื่อนตัวโครงด้านบนขึ้นหรือลง เมื่อปรับจนได้ความ สูงที่ต้องการแล้ว ให้ขันปลอกให้แน่นโดยการหมุน ไปทางฝั่งตรงข้ามของลูกศรดังที่แสดงในรูป I

### การปล่อยเส้นเอ็น

ในระหว่างการขนส่ง จะใช้เทปติดเส้นเอ็นเข้ากับดลั บเส้นเอ็น

- ◆ ดึงเทปที่ยึดเส้นเอ็นเข้ากับดลั บเส้นเอ็นออก

### การใช้งาน

**คำเตือน!** ไขว่ปลอกเฝ้าป้องกันดวงตาเสมอ

**คำเตือน!** ก่อนที่จะเริ่มทำการเล็มหญ้า ให้ใช้ชนิดเส้นเอ็น ที่เหมาะสมเท่านั้น

**หมายเหตุ:** ตรวจสอบบริเวณพื้นที่ที่จะทำการเล็มหญ้า และนำสิ่งกีดขวาง เช่น ลวด สายไฟ หรือสิ่งที่มีลักษณะเป็นสายคล้ายเชือกซึ่งอาจเข้าไปติดพันในสายหรือ ตลับเอ็นตัดหญ้า ให้ความระมัดระวังเป็นพิเศษเพื่อหลีกเลี่ยงป้องกันไม่ให้สายหรือลวดใดๆ ที่อาจจะคองและยื่นออกมาทิศทางด้านที่เข้าเครื่องเล็มหญ้าได้ เช่น ลวดหนามที่รั้วตาข่าย เป็นต้น

## การเปิดและปิดเครื่อง

- ◆ หากต้องการเปิดใช้งานเครื่อง ดับปลั๊ก (2) และ บีบสวิตช์ (1)
- ◆ หากต้องการปิดเครื่อง ให้ปล่อยสวิตช์

## การเปิดใช้งานเครื่องเล็มหญ้า (รูป I, J–J3)

- ◆ เมื่อเปิดเครื่องแล้ว จับเครื่องให้อยู่ในมุมที่เหมาะสม และค่อยๆ แกว่งเครื่องไปมาจากด้านหนึ่งไปอีกด้านหนึ่งดังที่แสดงในรูป J
- ◆ รักษามุมการตัดให้อยู่ระหว่าง 5 ถึง 10 องศา ดังที่แสดงในรูป J1 ห้ามไม่ให้เครื่องอยู่ในมุมที่เกินกว่า 10 องศา (รูป J2) ตัดด้วยมุมตรงปลายเพื่อรักษาระยะห่างไม่ให้ตัดโดนของแข็ง ให้ใช้ ลูกกลิ้งกันแนว (10)
- ◆ รักษาระยะห่างอย่างน้อย 60 ซม. ระหว่างตัวครอบป้องกันและเท้าของคุณดังที่แสดงในรูป J3 เพื่อให้ได้ระยะห่างนี้ ให้ปรับความสูงโดยรวมของเครื่องเล็มหญาดังที่แสดงในรูป I

## ปุ่ม POWERCOMMAND (รูป K)

คุณลักษณะ POWERCOMMAND จะช่วยให้คุณสามารถเพิ่มความยาวของเส้นเอ็นตัดได้ในระหว่างทำการตัดเล็มหญ้า

- ◆ หากต้องการขยายเส้นเอ็นตัด ให้กดปุ่ม POWERCOMMAND (4) ในระหว่างทำการตัดเล็มหญ้าและจากนั้นให้ปล่อย (รูป K)

**หมายเหตุ:** เครื่องเล็มหญ้าจะหยุดทำงานเมื่อกดปุ่ม POWERCOMMAND และจะทำงานต่อเมื่อปล่อยปุ่ม

- ◆ เพื่อให้ได้ความยาวสูงสุดของเส้นเอ็นตัด ให้กดปุ่มหลายๆ ครั้งจนกระทั่งคุณได้ยินเสียงเส้นเอ็นตัดกระทบกับตัวครอบป้องกัน

**หมายเหตุ:** ห้ามกดปุ่ม POWERCOMMAND อีกเมื่อความยาวของเส้นเอ็นตัดถึงขีดสูงสุดแล้ว เนื่องจากจะทำให้เกิดการป้อนเส้นเอ็นที่มากเกินไปและใช้หมดไปอย่างรวดเร็ว

## เปลี่ยนเป็นโหมดเล็มขอบ (รูป L, M)

**คำเตือน!** ควรใช้ตัวกำหนดขอบที่มีแบบลูกกลิ้งเมื่อทำงานในโหมดการเล็มขอบเท่านั้น

สามารถใช้งานเครื่องในโหมดเล็มตัด หรือในโหมดเล็มขอบเพื่อเล็มหญ้าที่ยื่นออกมาตามขอบสนามหญ้าและแปลงดอกไม้ สำหรับการใช้งานของ ส่วนหัวของเครื่องเล็มหญ้าจะต้องอยู่ในตำแหน่งที่แสดงในรูป M ถ้าไม่ใช่ให้ทำดังนี้

- ◆ ถอดแบตเตอรี่ออกจากเครื่อง
- ◆ จับปลอกปรับมุม (8) และดันลงดังที่แสดงไว้ในส่วนที่ 1 ของรูป L
- ◆ หมุนปลอกปรับมุม 180° แบบทวนเข็มนาฬิกาดังที่แสดงในส่วนที่ 2 จนกระทั่งด้านจับกลับไปอยู่ในส่วนครึ่งบนของเครื่องเล็มหญ้า
- ◆ หากต้องการกลับสู่ตำแหน่งการเล็มหญ้า ดึงปลอกปรับมุมลงและหมุนส่วนหัวไปตามทางการหมุนของเข็มนาฬิกาเพื่อให้ออกสู่ตำแหน่งเดิม

**หมายเหตุ:** คุณจะพบว่าเส้นเอ็นตัดสึกหรือเร็วมากกว่าปกติหากวางตำแหน่งการใช้งานเส้นเอ็นของเครื่องโดยตรงบนทางเท้าหรือบนพื้นผิวที่ขรุขระ

## การเล็มขอบ (รูป M)

**คำเตือน!** เมื่อมีการใช้งานสำหรับการเล็มขอบ อาจทำให้เศษหิน ชิ้นส่วนของโลหะและวัตถุอื่นๆ กระเด็นด้วยความเร็วสูงโดยเส้นตัด เครื่องเล็มขอบ และตัวครอบป้องกัน จึงได้รับการออกแบบมาเพื่อลดความอันตราย อย่างไรก็ตาม **ดูให้แน่ใจว่า** บุคคลอื่นๆ และสัตว์ต่างๆ อยู่ห่างออกไปอย่างน้อย 30 เมตร ผลการตัดที่มีประสิทธิภาพที่สุดจะได้บนขอบที่ลึกกว่า 50 มม.

- ◆ ห้ามใช้เครื่องเล็มหญานี้ในการสร้างคุระบาย
- ◆ การใช้ลูกกลิ้งกันแนว (10) ให้ใช้สำหรับเป็นตัวนำเครื่องในการเล็มหญาดังที่แสดงในรูป M
- ◆ จัดตำแหน่งลูกกลิ้งกันแนวให้ตรงขอบของทางเดินเท้าหรือบนพื้นผิวที่ราบเรียบเพื่อให้เส้นเอ็นตัดอยู่เหนือหญ้าหรือบริเวณพื้นที่ที่มีหญารากที่ต้องการเล็มขอบ
- ◆ หากต้องการตัดให้ใกล้ขึ้น ให้เอียงเครื่องเล็กน้อย

## โหมดควบคุมความเร็วและโหมดขยายการใช้งาน (รูป N)

เครื่องเล็มขอบแบบมีสายนี้เป็นตัวเลือกให้คุณได้สามารถใช้งานในความเร็วยุติสูงขึ้นเพื่อเพิ่มขีดจำกัดการใช้งานสำหรับงานที่หนักมากขึ้น หรือเร่งความเร็วของเครื่องเล็มขอบเพื่อให้ได้ประสิทธิภาพการตัดที่สูงขึ้น (รูป N)

- ◆ หากต้องการเพิ่มขีดจำกัดการใช้งาน ให้ตั้งสวิตช์ควบคุมความเร็ว (5) ไปทางด้านหลังไปที่โหมดเดือรี (13) ให้เข้าที่ #1 โหมดนี้ดีที่สุดสำหรับการใช้งานในขนาดใหญ่ที่ต้องใช้เวลาในการทำงานมากขึ้น
- ◆ หากต้องการเร่งความเร็วเครื่อง ให้ดันสวิตช์ควบคุมไปข้างหน้าไปที่หัวเครื่องเล็มหญ้า (9) ให้เข้าที่ #2 โหมดนี้ใช้ได้ดีสำหรับการตัดหญ้าที่ขึ้นสูงและหนา

**หมายเหตุ:** เมื่ออยู่ในโหมดเร่งความเร็ว (#2) เวลาในการทำงานจะลดลงเมื่อเทียบกับตอนที่เครื่องอยู่ในโหมดขยายเวลาการใช้งาน (#1)

## เทคนิคที่ช่วยให้การเล็มหญ้าของคุณง่ายขึ้น

- ◆ ใช้ส่วนปลายของสายในการตัด ห้ามฝืนต้นหวังของสายเข้าไปในหญ้าที่ยังไม่ได้ตัด ใช้ตัวกำหนดขอบไปตามแนวรั้ว บ้าน และแปลงดอกไม้เพื่อการใช้งานที่ดีที่สุด
- ◆ รวบรวมสายลวดและเส้าปักเป็นสาเหตุให้เกิดการเสียหายร้ายแรงของเอ็นตัดหญ้า และอาจถึงขั้นทำให้เกิดการแตกหัก หินและกำแพงอิฐ ขอบถนน และไม้อาจทำให้เอ็นตัดหญ้าเสียหายได้อย่างรวดเร็ว
- ◆ ห้ามไม่ให้หลากหลายเครื่องเอ็นตัดหญ้าไปบนพื้นหรือพื้นผิวอื่นๆ
- ◆ ในการตัดหญ้าที่ขึ้นสูง ให้ตัดจากบนลงล่างและความสูงต้องไม่เกิน 300 มม.
- ◆ ถือเครื่องเล็มหญ้าในลักษณะเอียงไปทางที่จะต้องตัด คือขอบบริเวณที่ดีที่สุดสำหรับกรตัด
- ◆ เครื่องเล็มหญ้าจะตัดเมื่อถือเครื่องเดินผ่านไปโดยบิดจากขวาไปซ้าย นี่จะเป็นการป้องกันไม่ให้เศษขึ้นสวนที่ตัดกระเด็นไปโดนผู้ใช้
- ◆ หลีกเลี่ยงไม่ให้โดนต้นไม้และไม่พุ่ม เปลือกต้นไม้, เนื้อไม้, ขอบและรั้วอาจเกิดความเสียหายจากเอ็นตัดหญ้าได้ง่าย

## การแกะเอ็นตัดหญ้าที่ติดและพันกันออก (รูป O, P, Q)

- คำเตือน!** ถอดแบตเตอรี่ออกจากเครื่องก่อนที่จะทำการประกอบ ปรับแต่ง หรือเปลี่ยนอุปกรณ์เสริมใดๆ ก็ตาม มาตรการเพื่อความปลอดภัยเชิงป้องกันนี้จะช่วยลดความเสี่ยงในการแผลงเปิดใช้งานเครื่องโดยไม่ตั้งใจในบางครั้ง เมื่อต้องทำการตัดวัชพืชที่หนาหรือมีก้านมาก ดมล้อป้อนสายอาจอุดตันด้วยต้นอ่อนหรือวัชดุอื่นๆ และทำให้เอ็นตัดพันกันได้ หากต้องการแกะเอ็นที่ติดพันปฏิบัติตามขั้นตอนดังต่อไปนี้
- ◆ ถอดแบตเตอรี่ออกจากเครื่อง
  - ◆ กดตัวล๊อค (23) บนฝาครอบเอ็นตัดหญ้า (24) ดังที่แสดงในรูป O และถอดฝาครอบออกโดยการดึงออกมารอง
  - ◆ ดึงด้ามเอ็นตัดหญ้าออกและนำสายที่ขาดหรือเศษจากการตัดออกจากบริเวณด้ามเอ็นตัดหญ้า
  - ◆ วางด้ามเอ็นและเอ็นตัดหญ้าโดยให้สาย "ยึด" ลงพอดีในช่องที่ใหม่ดังที่แสดงในรูป P1
  - ◆ สอดปลายสายในรูของช่องใส่เอ็นตัดหญ้าให้ถูกต้อง ดึงสายที่สอดเข้ามาจนกระทั่งสายไฟล่อออกมาทางช่องยึดดังที่แสดงในรูป P2
  - ◆ กดด้ามเอ็นตัดหญาลงเบาๆ และหมุนให้ล๊อค และจากนั้นเดินให้เข้าที่ (เมื่อเข้าที่ดีแล้ว ด้ามเอ็นตัดหญ้าจะหมุนไปทางซ้ายและขวาเล็กน้อยโดยอาจอิสระ)
  - ◆ ดูแลไม่ให้เอ็นตัดหญ้าเข้าไปติดอยู่ที่ด้ามเอ็นตัดหญ้า
  - ◆ จัดตัวล๊อคฝาครอบด้ามเอ็นตัดหญ้าให้ตรงกับช่องบนด้ามเอ็น
  - ◆ ติดฝาครอบด้ามเอ็นกลับเข้าที่ดังที่แสดงในรูป Q โดยการกดทุกลงและกดให้เข้าที่กับด้ามเอ็น

**หมายเหตุ:** ตรวจสอบให้แน่ใจว่าฝาครอบเข้าที่ในตำแหน่งดีแล้ว ฟังให้ได้ยินเสียงคลิกสองครั้งเพื่อให้แน่ใจว่า ล๊อคเข้าที่อย่างถูกต้องแล้ว เปิดเครื่อง ในไม่กี่วินาที คุณจะได้ยินเสียงเอ็นตัดหญ้ากำลังตัดออกโดยอัตโนมัติ จนได้ความยาวที่เหมาะสม

**คำเตือน!** เพื่อหลีกเลี่ยงไม่ให้เครื่องเสียหาย ถ้าเส้นเอ็นยื่นออกมาเลยใบมีดตัด ให้ตัดเส้นเอ็นออก เพื่อให้เส้นเอ็นชนกับใบมีดตัดพอดี

**หมายเหตุ:** ชิ้นส่วนอะไหล่อื่นๆ (ตัวครอบป้องกัน ฝาครอบด้ามเอ็นตัดหญ้า และอื่นๆ) มีให้บริการผ่านทางศูนย์บริการ BLACK+DECKER หากต้องการค้นหา ศูนย์ให้บริการภายในท้องถิ่นของคุณ โปรดดูที่ [www.blackanddecker.com](http://www.blackanddecker.com)

**คำเตือน!** การใช้อุปกรณ์เสริมที่ BLACK+DECKER ไม่ได้แนะนำให้ใช้ร่วมกับเครื่องมือนี้อาจทำให้เกิดอันตรายร้ายแรงได้

## การเปลี่ยนด้ามเอ็นตัดหญ้า (รูป O, P, Q, R)

- ◆ ถอดแบตเตอรี่ออกจากเครื่อง
- ◆ กดตัวล๊อค (23) ลงและถอดฝาครอบด้ามเอ็นตัดหญ้า (24) ออกจากช่องใส่ด้ามเอ็นตัดหญ้า (12) (รูป O)
- ◆ จับด้ามเอ็นตัดหญ้าด้วยมือข้างเดียวและจับช่องใส่ด้ามเอ็นตัดหญ้าด้วยมืออีกข้างและดึงด้ามเอ็นตัดหญ้าออก
- ◆ หากคันโยก (25) หรือสาย (26) ในฐานด้าม (รูป R) เคลื่อนออกจากที่ ให้เปลี่ยนให้อยู่ในตำแหน่งที่ถูกตัดก่อนใส่ด้ามเอ็นตัดหญ้าเข้าไปในช่องใส่ด้ามเอ็นตัดหญ้า
- ◆ ยึดดินและเศษหญ้าออกจากด้ามเอ็นตัดหญ้า และช่องใส่เอ็นตัดหญ้า
- ◆ ชิ้นส่วนปลายของเส้นเอ็นและรอยเข้าไปในรูสำหรับรอย (P2) รูป P
- ◆ นำด้ามเอ็นตัดหญ้าอันใหม่มาและดันไปบนส่วนบน (27) (รูป R) ในด้าม ค่อยๆ หมุนด้ามเอ็นตัดหญ้าจนกระทั่งเข้าที่เส้นเอ็นควรจะยื่นออกมาจากตัวล๊อคบนฝาครอบเอ็นตัดหญ้าประมาณ 136 มม.
- ◆ จัดให้ช่องใส่เอ็นตัดหญ้าตรงกับช่องในด้าม (รูป Q)
- ◆ ดันฝาครอบไปบนตัวล๊อคบนฝาครอบเอ็นตัดหญ้าจนกระทั่งล๊อคเข้าที่

## การใส่เอ็นตัดหญ้าจากม้วนเอ็นตัดหญ้าขนาดใหญ่ (รูป S, T, U)

เอ็นตัดหญ่านิตเป็นม้วนขนาดใหญ่ยังมีให้บริการที่ร้านค้าปลีกภายในท้องถิ่นของคุณอีกด้วย

**หมายเหตุ:** เอ็นตัดหญ่านิตเป็นม้วนขนาดใหญ่จะมีการตัดพันได้บ่อยกว่าด้ามเอ็นตัดหญ้าของ BLACK+DECKER เพื่อให้ได้ผลลัพธ์ที่ดีที่สุด ขอแนะนำให้ใช้ด้ามเอ็นตัดหญ้าของ BLACK+DECKER หากต้องการติดตั้งสายจากม้วนขนาดใหญ่ ปฏิบัติตามขั้นตอนต่อไปนี้:

- ◆ ถอดแบตเตอรี่ออกจากเครื่อง
- ◆ ถอดด้ามเอ็นเปล่าออกจากเครื่องดังที่มีคำอธิบายไว้ใน "การเปลี่ยนด้ามเอ็นตัดหญ้า"

- ◆ นำเส้นเอ็นที่เหลือออกจากดล็บเอ็นตัดหญ้า
- ◆ ทำการทอหุ้มที่ปลายเส้นเอ็นประมาณ 19 มม. (28) ใส่เส้นเอ็นเข้าไปในหนึ่งในช่องยึดสาย (29) ดังที่แสดงในรูป S
- ◆ ใส่ปลายสายใหญ่ขนาด 19 มม. เข้าไปในช่อง (30) ที่ดล็บเอ็นตัดหญ้าที่อยู่ติดกับช่องดังที่แสดงในรูป T ตรวจสอบให้แน่ใจว่าดล็บสายให้ติดแน่นกับแกนดีแล้ว ดังที่แสดงในรูป T
- ◆ หมุนเส้นเอ็นตัดเข้าไปในดล็บเอ็นตัดหญ้าในทิศทางที่ลูกศรชี้บนแกน ดูให้แน่ใจว่าสายที่หมุนเข้าไปนั้นเรียบร้อยและเรียงตัวเป็นชั้นดี ห้ามไม่ให้สายทับกัน เป็นกากบาท (รูป U)
- ◆ เมื่อเส้นเอ็นตัดหมุนเข้าไปจนสุดแล้ว (31) ให้ตัดเส้นออก (รูป T)
- ◆ ติดตั้งดล็บเอ็นตัดหญ้าบนเครื่องดังที่มีคำอธิบายไว้ใน "การเปลี่ยนดล็บเอ็นตัดหญ้า"

### การบำรุงรักษา

เครื่องมือแบบมีสาย/ไร้สายของ BLACK+DECKER ได้รับการออกแบบมาเพื่อให้สามารถใช้งานได้อย่างยาวนานต่อเนื่อง โดยมีการบำรุงรักษาน้อยที่สุด การใช้งานที่รู้สึกพึงพอใจอย่างต่อเนื่องจะขึ้นอยู่กับการดูแลรักษาเครื่องมือที่เหมาะสมและการทำความสะอาดเป็นประจำ เครื่องชาร์จไม่ต้องการการดูแลพิเศษอื่นใดนอกเหนือจากการทำความสะอาดเป็นประจำ

**คำเตือน!** ก่อนทำการบำรุงรักษาเครื่องมือไฟฟ้าแบบมีสาย/ไร้สาย จะต้อง:

- ◆ ปิดสวิตช์และถอดปลั๊กอุปกรณ์/เครื่องมือ
- ◆ หรือปิดสวิตช์และถอดแบตเตอรี่ออกจากอุปกรณ์/เครื่องมือ ถ้าอุปกรณ์/เครื่องมือมีชุดแบตเตอรี่แยกต่างหาก
- ◆ หรือใช้แบตเตอรี่จนหมดถ้าแบตเตอรี่อยู่รวมกันในเครื่อง จากนั้นให้ปิดสวิตช์
- ◆ ถอดปลั๊กเครื่องชาร์จออกก่อนจะทำความสะอาด เครื่องชาร์จไม่ต้องการการดูแลพิเศษอื่นใดนอกเหนือจากการทำความสะอาดเป็นประจำ
- ◆ ทำความสะอาดช่องระบายอากาศในเครื่องมือและเครื่องชาร์จของคุณเป็นประจำโดยใช้แปรงขนอ่อนหรือผ้าแห้ง
- ◆ ทำความสะอาดตัวโครงมอเตอร์เป็นประจำโดยใช้ผ้าชุบน้ำบิดหมาด ห้ามใช้น้ำยาทำความสะอาดที่มีฤทธิ์กัดกร่อนหรือมีส่วนผสมของตัวทำละลาย
- ◆ ทำความสะอาดเส้นเอ็นตัดและดล็บเอ็นตัดหญ้าเป็นประจำ โดยใช้แปรงขนอ่อนหรือผ้าแห้ง
- ◆ ใช้เครื่องชุดที่ไม่มีคมชุดหญ้าและสิ่งสกปรกออกจากด้านล่างของตัวครอบป้องกันเป็นประจำ

### การแก้ปัญหา

เส้นเอ็นพันกัน เมื่อถอดฝาครอบหรือ ดล็บเอ็นตัดหญ้าออก	ตรวจสอบให้แน่ใจว่าได้ยึดเส้นเอ็นเข้าไป ช่องยึด (รูป P) เรียบร้อยแล้วก่อนทำการถอด
--	---

### การปกป้องสิ่งแวดล้อม



การเก็บรวบรวมแบบคัดแยก ห้ามทิ้งผลิตภัณฑ์และแบตเตอรี่ที่มีสัญลักษณ์นี้รวมกับขยะในครัวเรือนปกติ

ผลิตภัณฑ์และแบตเตอรี่ประกอบด้วยวัสดุที่สามารถนำกลับมาใช้ใหม่หรือรีไซเคิลได้ เพื่อลดความต้องการวัตถุดิบ โปรดรีไซเคิลอุปกรณ์ไฟฟ้าและแบตเตอรี่ตามข้อบังคับในท้องถิ่น ดูข้อมูลเพิ่มเติมได้ที่ [www.2helpU.com](http://www.2helpU.com)

### ข้อมูลการบริการ

BLACK+DECKER ให้บริการเครือข่ายศูนย์บริการของบริษัทเองและศูนย์ฯ ที่ได้รับการรับรองเต็มรูปแบบทั่วทั้งทวีปเอเชีย ศูนย์บริการ BLACK+DECKER ทุกแห่งมีพนักงานที่ผ่านการฝึกอบรมเพื่อให้บริการผลิตภัณฑ์ได้อย่างมีประสิทธิภาพและเชื่อถือได้

ไม่ว่าคุณต้องการคำแนะนำด้านเทคนิค การซ่อมแซม หรืออะไหล่แท้จากโรงงาน โปรดติดต่อศูนย์ BLACK+DECKER ใกล้บ้าน

### หมายเหตุ

- ◆ BLACK+DECKER มีนโยบายที่จะพัฒนาปรับปรุงผลิตภัณฑ์อย่างต่อเนื่อง ด้วยเหตุนี้เราจึงขอสงวนสิทธิ์ในการเปลี่ยนแปลงข้อมูลจำเพาะของผลิตภัณฑ์โดยไม่ต้องแจ้งให้ทราบล่วงหน้า
- ◆ อุปกรณ์มาตรฐานและอุปกรณ์เสริมอาจแตกต่างกันในแต่ละประเทศ
- ◆ ข้อมูลจำเพาะของผลิตภัณฑ์อาจแตกต่างกันในแต่ละประเทศ
- ◆ ตัวเลือกผลิตภัณฑ์อาจมีจำหน่ายไม่ครบทุกรายการ ในบางประเทศ โปรดสอบถามรุ่นผลิตภัณฑ์ที่มีจำหน่ายจากตัวแทนจำหน่ายของ BLACK+DECKER ในประเทศของคุณ