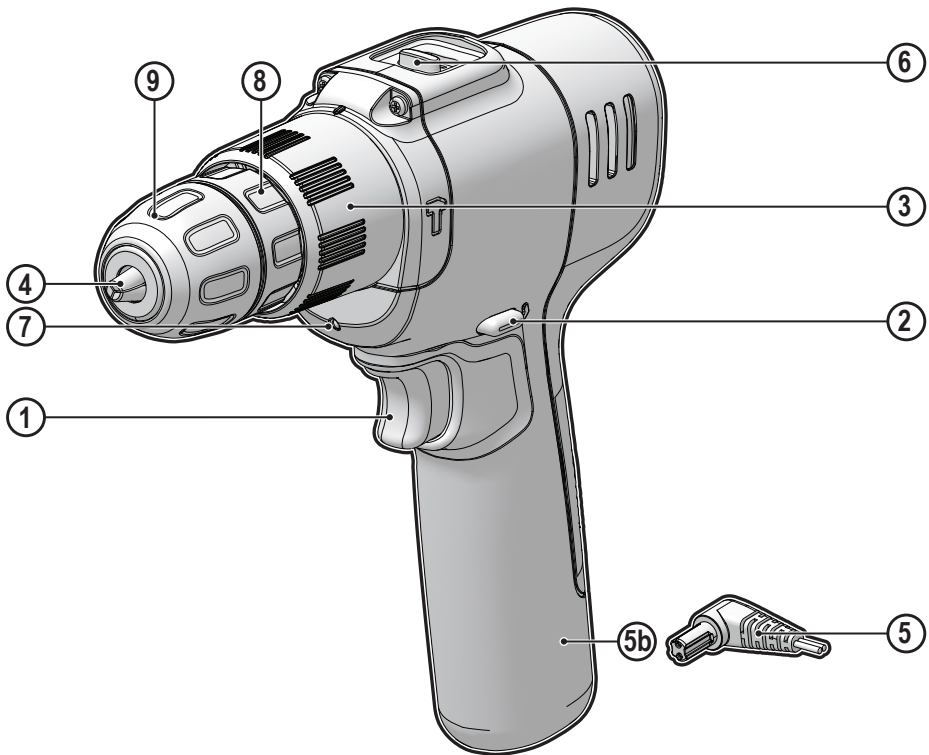


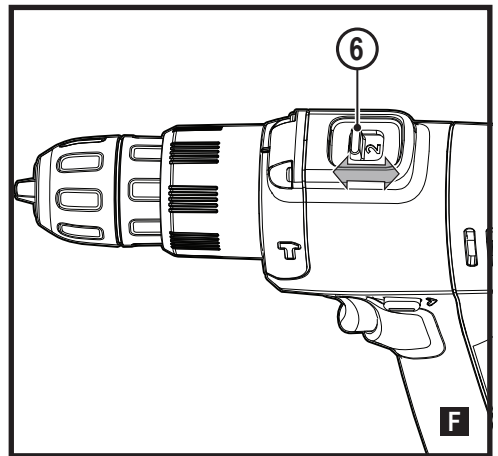
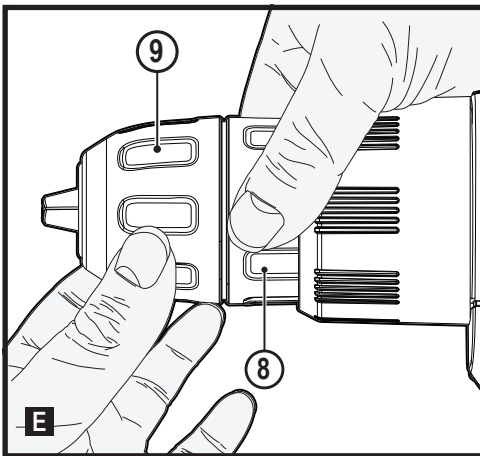
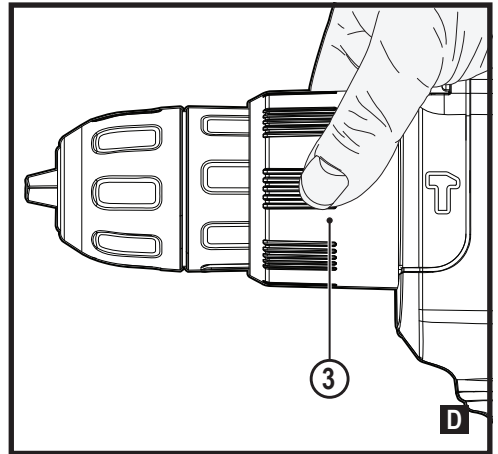
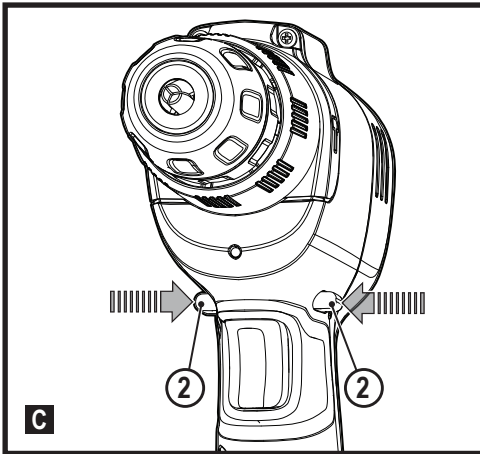
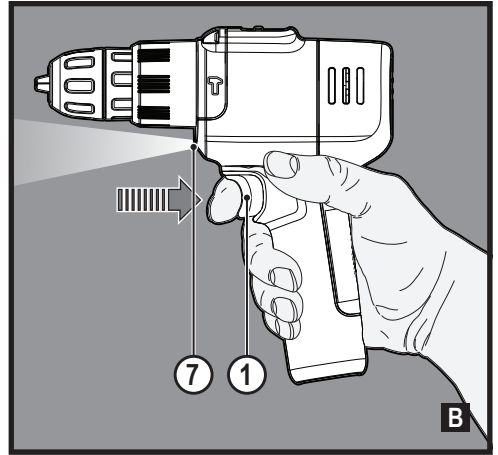
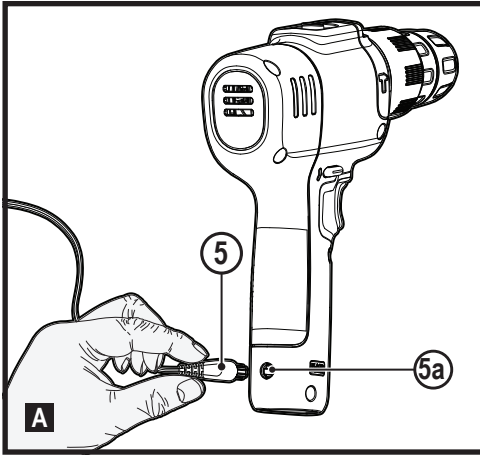


www.blackanddecker.com



REVHD12C

ENGLISH	3
한국어	9
Bahasa Indonesia	15
ภาษาไทย	23



## REVHD12C

## Impact drill

## Technical data

REVHD12C		
Voltage	$V_{DC}$	10.8V(12V Max)
No-load speed	$\text{min}^{-1}$	0-350/0-1350RPM
Max. torque	Nm	17.5/40
Chuck capacity	mm	1-10
Max Drilling capacity		
Steel/Wood/Masonry	mm	10 / 25 / 10
Weight	kg	1.0
Integral Battery		
Battery type		Li-Ion
Ah rating		1.5
Charger S010QV1400040		
Input Voltage	$V_{AC}$	100-240
Output voltage	$V_{DC}$	14
Current	mA	400mA
Approx. charge time	h	4

## Intended use

Your BLACK+DECKER™ REVHD12C-Impact Drill, has been designed for screwdriving applications and for drilling in wood metal and masonry. This tool is intended for consumer use only.

## Safety instructions

## General power tool safety warnings



**Warning! Read all safety warnings, instructions, illustrations and specifications provided with this power tool.** Failure to follow the warnings and instructions listed below may result in electric shock, fire and/or serious injury.

## Save all warnings and instructions for future reference.

The term "power tool" in all of the warnings listed below refers to your mains operated (corded) power tool or battery operated (cordless) power tool.

## 1. Work area safety

- Keep work area clean and well lit.** Cluttered or dark areas invite accidents.
- Do not operate power tools in explosive atmospheres,**

such as in the presence of flammable liquids, gases or dust. Power tools create sparks which may ignite the dust or fumes.

- Keep children and bystanders away while operating a power tool.** Distractions can cause you to lose control.

## 2. Electrical safety

- Power tool plugs must match the outlet. Never modify the plug in any way. Do not use any adapter plugs with earthed (grounded) power tools.** Unmodified plugs and matching outlets will reduce risk of electric shock.
- Avoid body contact with earthed or grounded surfaces such as pipes, radiators, ranges and refrigerators.** There is an increased risk of electric shock if your body is earthed or grounded.
- Do not expose power tools to rain or wet conditions.** Water entering a power tool will increase the risk of electric shock.
- Do not abuse the cord. Never use the cord for carrying, pulling or unplugging the power tool. Keep cord away from heat, oil, sharp edges or moving parts.** Damaged or entangled cords increase the risk of electric shock.
- When operating a power tool outdoors, use an extension cord suitable for outdoor use.** Use of a cord suitable for outdoor use reduces the risk of electric shock.
- If operating a power tool in a damp location is unavoidable, use a residual current device (RCD) protected supply.** Use of an RCD reduces the risk of electric shock.

## 3. Personal safety

- Stay alert, watch what you are doing and use common sense when operating a power tool.**  
**Do not use a power tool while you are tired or under the influence of drugs, alcohol or medication.** A moment of inattention while operating power tools may result in serious personal injury.
- Use personal protective equipment. Always wear eye protection.** Protective equipment such as dust mask, non-skid safety shoes, hard hat, or hearing protection used for appropriate conditions will reduce personal injuries.
- Prevent unintentional starting. Ensure the switch is in the off-position before connecting to power source and/or battery pack, picking up or carrying the tool.** Carrying power tools with your finger on the switch or energising power tools that have the switch on invites accidents.
- Remove any adjusting key or wrench before turning the power tool on.** A wrench or a key left attached to a rotating part of the power tool may result in personal injury.
- Do not overreach. Keep proper footing and balance at**

all times. This enables better control of the power tool in unexpected situations.

- f. **Dress properly. Do not wear loose clothing or jewellery. Keep your hair, clothing and gloves away from moving parts.** Loose clothes, jewellery or long hair can be caught in moving parts.
  - g. **If devices are provided for the connection of dust extraction and collection facilities, ensure these are connected and properly used.** Use of dust collection can reduce dust-related hazards.
  - h. **Do not let familiarity gained from frequent use of tools allow you to become complacent and ignore tool safety principles.** A careless action can cause severe injury within a fraction of a second.
4. **Power tool use and care**
    - a. **Do not force the power tool. Use the correct power tool for your application.**  
The correct power tool will do the job better and safer at the rate for which it was designed.
    - b. **Do not use the power tool if the switch does not turn it on and off.** Any power tool that cannot be controlled with the switch is dangerous and must be repaired.
    - c. **Disconnect the plug from the power source and/or the battery pack from the power tool before making any adjustments, changing accessories, or storing power tools.** Such preventive safety measures reduce the risk of starting the power tool accidentally.
    - d. **Store idle power tools out of the reach of children and do not allow persons unfamiliar with the power tool or these instructions to operate the power tool.**  
Power tools are dangerous in the hands of untrained users.
    - e. **Maintain power tools and accessories. Check for misalignment or binding of moving parts, breakage of parts and any other condition that may affect the power tools operation. If damaged, have the power tool repaired before use.** Many accidents are caused by poorly maintained power tools.
    - f. **Keep cutting tools sharp and clean.** Properly maintained cutting tools with sharp cutting edges are less likely to bind and are easier to control.
    - g. **Use the power tool, accessories and tool bits etc. in accordance with these instructions, taking into account the working conditions and the work to be performed.**  
Use of the power tool for operations different from those intended could result in a hazardous situation.
    - h. **Keep handles and grasping surfaces dry, clean and free from oil and grease.** Slippery handles and grasping surfaces do not allow for safe handling and control of the tool in unexpected situations.

## 5. Battery tool use and care

- a. **Recharge only with the charger specified by the manufacturer.** A charger that is suitable for one type of battery pack may create a risk of fire when used with another battery pack.
  - b. **Use power tools only with specifically designated battery packs.** Use of any other battery packs may create a risk of injury and fire.
  - c. **When battery pack is not in use, keep it away from other metal objects, like paper clips, coins, keys, nails, screws or other small metal objects, that can make a connection from one terminal to another.** Shorting the battery terminals together may cause burns or a fire.
  - d. **Under abusive conditions, liquid may be ejected from the battery; avoid contact. If contact accidentally occurs, flush with water. If liquid contacts eyes, additionally seek medical help.** Liquid ejected from the battery may cause irritation or burns.
  - e. **Do not use a battery pack or tool that is damaged or modified.** Damaged or modified batteries may exhibit unpredictable behaviour resulting in fire, explosion or risk of injury.
  - f. **Do not expose a battery pack or tool to fire or excessive temperature.** Exposure to fire or temperature above 130 °C may cause explosion.
  - g. **Follow all charging instructions and do not charge the battery pack or tool outside the temperature range specified in the instructions.**  
Charging improperly or at temperatures outside the specified range may damage the battery and increase the risk of fire.
6. **Service**
    - a. **Have your power tool serviced by a qualified repair person using only identical replacement parts.** This will ensure that the safety of the power tool is maintained.
    - b. **Never service damaged battery packs.** Service of battery packs should only be performed by the manufacturer or authorized service providers.

## Safety Instructions for All Operations

- **Wear ear protectors when impact drilling.** Exposure to noise can cause hearing loss.
- **Hold power tool by insulated gripping surfaces, when performing an operation where the cutting accessory or the fastener may contact hidden wiring.** Cutting accessory or the fastener contacting a "live" wire may make exposed metal parts of the power tool "live" and could give the operator an electric shock.

## Additional power tool safety warnings



**Warning!** Additional Safety Warnings for Drill/ Driver/ Hammerdrill.

- Use clamps or other practical way to secure and support the workpiece to a stable platform. Holding the work by hand or against your body is unstable and may lead to loss of control.
- Accessories and tool may get hot during operation. Wear gloves when handling them if performing heat producing applications such as drilling metals.
- Air vents often cover moving parts and should be avoided. Loose clothes, jewelry or long hair can be caught in moving parts.
- Wear safety goggles or other eye protection. Hammering and drilling operations cause chips to fly. Flying particles can cause permanent eye damage.
- Wear ear protectors when impact drilling. Exposure to noise can cause hearing loss.
- Use auxiliary handle(s), if supplied with the tool. Loss of control can cause personal injury.
- Do not operate this tool for long periods of time. Vibration caused by tool action may be harmful to your hands and arms. Use gloves to provide extra cushion and limit exposure by taking frequent rest periods.

## Safety instructions when using long drill bits

- ◆ **Never operate at higher speed than the maximum speed rating of the drill bit.** At higher speeds, the bit is likely to bend if allowed to rotate freely without contacting the workpiece, resulting in personal injury.
- ◆ **Always start drilling at low speed and with the bit tip in contact with the workpiece.** At higher speeds, the bit is likely to bend if allowed to rotate freely without contacting the workpiece, resulting in personal injury.
- ◆ **Apply pressure only in direct line with the bit and do not apply excessive pressure.** Bits can bend causing breakage or loss of control, resulting in personal injury.

## Safety of others

- ◆ This tool is not intended for use by persons (including children) with reduced physical, sensory or mental capabilities, or lack of experience and knowledge, unless they have been given supervision or instruction concerning use of the appliance by a person responsible for their safety.
- ◆ Children should be supervised to ensure that they do not play with the appliance.

## Residual risks

Additional residual risks may arise when using the tool which may not be included in the enclosed safety warnings. These

risks can arise from misuse, prolonged use etc.

Even with the application of the relevant safety regulations and the implementation of safety devices, certain residual risks can not be avoided. These include:

- ◆ Injuries caused by touching any rotating/moving parts.
- ◆ Injuries caused when changing any parts, blades or accessories.
- ◆ Injuries caused by prolonged use of a tool. When using any tool for prolonged periods ensure you take regular breaks.
- ◆ Impairment of hearing.
- ◆ Health hazards caused by breathing dust developed when using your tool (example:- working with wood, especially oak, beech and MDF.)

## Labels on tool

The following pictograms along with the date code are shown on the tool:



**Warning!** To reduce the risk of injury, the user must read the instruction manual.



Do not stare at operating lamp

## Important safety instructions for all integral battery tools

**Warning!** Read all safety warnings, instructions, and cautionary markings for the battery, charger and product. Failure to follow the warnings and instructions may result in electric shock, fire and/or serious injury.

- ◆ Never force a charger plug into the tool.
- ◆ DO NOT modify the charger plug of a non-compatible charger in any way to fit into the tool as the battery may rupture causing serious personal injury.
- ◆ DO NOT charge or use the battery in explosive atmospheres, such as in the presence of flammable liquids, gases or dust.  
Inserting or removing the charger plug from the tool may ignite the dust or fumes.
- ◆ Only charge the battery with the provided charge lead and a suitable class 2 power supply.
- ◆ DO NOT splash or immerse in water.
- ◆ DO NOT allow water or any liquid to enter tool.
- ◆ DO NOT store or use the tool in locations where the temperature may reach or exceed 104 °F (40 °C) (such as outside sheds or metal buildings in summer). For best life store tools in a cool, dry location.
- ◆ Do not store the tool with the switch locked on. Never tape the switch in the ON position.
- ◆ DO NOT incinerate the tool even if it is severely damaged

or is completely worn out. The battery can explode in a fire. Toxic fumes and materials are created when lithium-ion batteries are burned.

- ◆ If battery contents come into contact with the skin, immediately wash area with mild soap and water. If battery liquid gets into the eye, rinse water over the open eye for 15 minutes or until irritation ceases. If medical attention is needed, the battery electrolyte is composed of a mixture of liquid organic carbonates and lithium salts.
- ◆ Contents of opened battery cells may cause respiratory irritation. Provide fresh air. If symptoms persist, seek medical attention.
- ◆ Battery liquid may be flammable if exposed to spark or flame.
- ◆ Never attempt to open the tool for any reason. If the tool case is cracked or damaged, do not charge. Do not crush, drop or damage the tool.  
Do not use a tool or charger that has received a sharp blow, been dropped, run over or damaged in any way (e.g., pierced with a nail, hit with a hammer, stepped on). Damaged tools should be returned to the service center for recycling.

### Storage recommendations

The best storage place is one that is cool and dry, away from direct sunlight and excess heat or cold.

Store the fully charged tool disconnected from the charger.

### Transportation

**Note:** Integral Li-ion tools should not be put in checked baggage on airplanes and must be properly protected from short circuits if they are in carry-on baggage.

### Important safety instructions for all integral battery charging

**Warning!** Read all safety warnings, instructions, and cautionary markings for the battery, charging cable and product. Failure to follow the warnings and instructions may result in electric shock, fire and/or serious injury.

- ◆ The provided charging cable is not intended for any uses other than charging BLACK+DECKER rechargeable tools with micro charging ports. Charging other types of tools may cause their batteries to overheat and burst, resulting in personal injury, property damage, fire, electric shock or electrocution.
- ◆ DO NOT expose charging cable to water, rain or snow.
- ◆ Pull by the plugs rather than the cord when disconnecting the charging cable. This will reduce the risk of damage to the plugs and cord.
- ◆ Make sure that the cord is located so that it will not be stepped on, tripped over or otherwise subjected to damage or stress.

- ◆ When charging the tool outdoors, always provide a dry location.
- ◆ DO NOT use a charging cable with a damaged cord or plugs. Have them replaced immediately.
- ◆ Foreign materials of a conductive nature, such as, but not limited to, grinding dust, metal chips, steel wool, aluminum foil or any buildup of metallic particles should be kept away from the charging and micro charging plugs and port.
- ◆ Always unplug the charging cable from the power supply when there is no tool attached to it.

### Electrical safety



Your charger is double insulated; therefore no earth wire is required. Always check that the mains voltage corresponds to the voltage on the rating plate. Never attempt to replace the charger unit with a regular mains plug.

- ◆ If the supply cord is damaged, it must be replaced by the manufacturer or an authorised BLACK+DECKER Service Centre in order to avoid a hazard.

**Warning!** Never attempt to replace the charger unit with a regular mains plug.

### Features

This tool includes some or all of the following features:

1. Variable speed switch
2. Forward/reverse slider
3. Torque adjustment collar
4. Keyless chuck
5. Charger
- 5a. Charging port
- 5b. Charging indicator (not visible till plugged in)
6. Dual Range Gearing
7. LED work Light\*

### Charging the battery (fig. A)

The integral battery needs to be charged before first use and whenever it fails to produce sufficient power on jobs that were easily done before. The battery may become warm while charging; this is normal and does not indicate a problem.

**Warning!** Do not charge the battery at ambient temperatures below 10 °C or above 40 °C. Recommended charging temperature: approx. 24 °C.

**Note:** The charger will not charge a battery if the cell temperature is below approximately 10 °C or above 40 °C. The integral battery should be left connected to the charger and the charger will begin to charge automatically when the cell temperature warms up or cools down.

- ◆ Insert the charging connector (5) into the charging port (5a).
- ◆ Plug in the charging connector (5).
- ◆ Leave the tool connected to the charger for around 4 hours.

- ◆ The charging indicator (5b) will illuminate during charging.

the tool on. Damage to the chuck and personal injury may occur when changing accessories.

## Operating Instructions

### Trigger switch & reversing button (fig. B, C)

- ◆ The drill is turned ON and OFF by pulling and releasing the trigger switch (1).  
The farther the trigger is depressed, the higher the speed of the drill operates at.
- ◆ A forward/reverse control button (2) determines the direction of the tool and also serves as a lock off button.
- ◆ To select forward rotation, release the trigger switch and depress the forward/reverse control button to the left.
- ◆ To select reverse, depress the forward/ reverse control button the opposite direction.
- ◆ To lock the tool, set the forward/reverse slider into the centre position.

**Note:** The center position of the control button locks the tool in the off position. When changing the position of the control button, be sure the trigger is released.

### Torque control (fig. D)

This tool is fitted with a torque adjustment collar (3) to select the operating mode and to set the torque for tightening screws. Large screws and hard workpiece materials require a higher torque setting than small screws and soft workpiece materials.

- ◆ For drilling, set the collar to the drilling position symbol 1
- ◆ For screwdriving, set the collar to the desired setting. If you do not yet know the appropriate setting, proceed as follows:
  - ◆ Set the collar to the lowest torque setting.
  - ◆ Tighten the first screw.
  - ◆ If the clutch ratchets before the desired result is achieved, increase the collar setting and continue tightening the screw. Repeat until you reach the correct setting. Use this setting for the remaining screws.

### Keyless chuck (fig. E)

**Warning!** Make certain the lock-off button is engaged to prevent switch actuation before installing or removing accessories.

To insert a drill bit or other accessory:

- ◆ Grasp the rear half of the chuck (8) with one hand and use your other hand to rotate the front half (9) in the counterclockwise direction, as viewed from the chuck end.
- ◆ Insert the bit or other accessory fully into the chuck, and tighten securely by holding the rear half of the chuck and rotating the front portion in the clockwise direction as viewed from the chuck end.

**Warning!** Do not attempt to tighten drill bits (or any other accessory) by gripping the front part of the chuck and turning

### Dual range gearing (Fig. F)

The dual range feature of your drill allows you to shift gears for greater versatility. To select low speed, high torque setting (position 1), turn tool off and permit to stop. Slide gear shifter button (6) away from the chuck.

To select the high speed, low torque setting (position 2), turn tool off and permit to stop.

Slide gear shifter button towards the chuck.

**Note:** Do not change gears when tool is running. If you are having trouble changing gears, make sure that the dual range gear button is either completely pushed forward or completely pushed back

### Drilling/screwdriving (fig. C)

- ◆ Select forward or reverse rotation using the forward/reverse slider (2).
- ◆ To switch the tool on, press the switch (1).  
The tool speed depends on how far you press the switch.
- ◆ To switch the tool off, release the switch.

### Hints for optimum use

#### Drilling

- ◆ Use sharp drill bits only.
- ◆ Support and secure work properly, as instructed in the Safety instructions.
- ◆ Use appropriate and required safety equipment, as instructed in the Safety instructions.
- ◆ Secure and maintain work area, as instructed in the Safety instructions.
- ◆ Run the drill very slowly, using light pressure, until the hole is started enough to keep the drill bit from slipping out of it.
- ◆ Apply pressure in a straight line with the bit. Use enough pressure to keep the bit biting but not so much as to stall the motor or deflect the bit.
- ◆ Hold the drill firmly with two hands to control its twisting action.
- ◆ DO NOT CLICK THE TRIGGER OF A STALLED DRILL OFF AND ON IN AN ATTEMPT TO START IT. DAMAGE TO THE DRILL CAN RESULT
- ◆ Minimize stalling on breakthrough by reducing pressure and slowly drilling through the last part of the hole.
- ◆ Keep the motor running while pulling the bit out of a drilled hole. This will help reduce jamming.
- ◆ Make sure switch turns drill on and off.

#### Drilling in wood

Holes in wood can be made with the same twist drill bits used for metal or with spade bits. These bits should be sharp and

should be pulled out frequently when drilling to clear chips from the flutes.

**Drilling in metal**

Use a cutting lubricant when drilling metals. The exceptions are cast iron and brass which should be drilled dry. The cutting lubricant that work best are sulfurized cutting oil or lard oil

**Drilling in masonry**

For drilling in masonry, set the collar (3) to the hammer drilling position by aligning the symbol with the marking. Slide the speed selector (6) towards the front of the tool (2nd gear).

**Screwdriving**

- ◆ Always use the correct type and size of screwdriver bit.
- ◆ If screws are difficult to tighten, try applying a small amount of washing liquid or soap as a lubricant.
- ◆ Always hold the tool and screwdriver bit in a straight line with the screw.

**Troubleshooting**

Problem	Possible cause	Possible solution
Unit will not start.	Battery not charged.	Check battery charging requirements
Battery will not charge.	Charger not plugged in.  Surrounding air temperature too hot or too cold.	Plug charger into a working outlet.  Move charger to a surrounding air temperature of above 40 degrees F (45°C) or below 105 degrees F (+40.5°C)
Unit shuts off abruptly.	Battery hasreached its maximum thermal limit.  Out of charge. (To maximize the life of the battery it is designed to shutoff abruptly when the charge is depleted	Allow battery to cool down.  Place on charger and allow to charge.

**Accessories**

The performance of your tool depends on the accessory used. BLACK+DECKER accessories are engineered to high quality standards and designed to enhance the performance of your tool. By using these accessories you will get the very best from your tool.

This tool is suitable both for U-shank and T-shank saw blades.

**Warning!** Before performing any maintenance on the tool, remove the battery from the tool. Unplug the charger before cleaning it.

- Regularly clean the ventilation slots in your tool and charger using a soft brush or dry cloth.
- Regularly clean the motor housing using a damp cloth. Do not use any abrasive or solvent-based cleaner.
- Regularly tap bit holder to remove any dust from the interior.

**Maintenance**

Your BLACK+DECKER tool has been designed to operate over a long period of time with a minimum of maintenance. Continuous satisfactory operation depends upon proper tool care and regular cleaning.

Your charger does not require any maintenance apart from regular cleaning.

**Warning!** Before performing any cleaning or maintenance on the tool, unplug the charger.

- Regularly clean the ventilation slots in your tool using a soft brush or dry cloth.
- Regularly clean the motor housing using a damp cloth. Do not use any abrasive or solvent-based cleaner.

**Protecting the environment**



Separate collection. Products and batteries marked with this symbol must not be disposed of with normal household waste.

Products and batteries contain materials that can be recovered or recycled reducing demand for raw materials. Please recycle electrical products and batteries according to local provisions. Further information is available at [www.2helpU.com](http://www.2helpU.com)

**Service Information**

BLACK+DECKER offers a full network of company-owned and authorized service locations throughout Asia. All BLACK+DECKER Service Centers are staffed with trained personnel to provide customers with efficient and reliable product service.

Whether you need technical advice, repair, or genuine factory replacement parts, contact the BLACK+DECKER location nearest to you.

**Note**

- BLACK+DECKER's policy is one of continuous improvement to our products and, as such, we reserve the right to change product specifications without prior notice.
- Standard equipment and accessories may vary by country.
- Product specifications may differ by country.
- Complete product range may not be available in all countries. Contact your local BLACK+DECKER dealers for range availability.



## REVHD12C

## 햄머 드릴

연기를 발화시킬 수 있는 스파크를 생성합니다.

- c. **전동 공구를 작동하는 동안 어린이와 주변 사람이 접근하지 못하도록 하십시오.** 주의가 산만해지면 통제력을 잃을 수 있습니다.

## 2. 전기 안전

- a. **전동공구 플러그는 콘센트와 일치해야 합니다.** 어떤 식으로든 플러그를 개조하지 마십시오. 접지된 (접지된) 전동 공구와 함께 어댑터 플러그를 사용하지 마십시오. 개조하지 않은 플러그와 콘센트를 사용하면 감전 위험이 줄어듭니다.
- b. **파이프, 라디에이터, 레인지 및 냉장고와 같은 접지된 표면과의 신체 접촉을 피하십시오.** 신체가 접지되거나 접지되면 감전의 위험이 증가합니다.
- c. **전동공구를 비나 습한 환경에 노출시키지 마십시오.** 전동공구에 물이 들어가면 감전의 위험이 높아집니다.
- d. **코드를 남용하지 마십시오.** 코드를 사용하여 전동공구를 운반하거나 당기거나 뽑지 마십시오. 코드를 열, 기름, 날카로운 모서리 또는 움직이는 부품에서 멀리하십시오. 손상되거나 얽힌 코드는 감전의 위험을 높입니다.
- e. **실외에서 전동공구를 작동할 때는 실외에 적합한 연장 코드를 사용하십시오.** 실외 사용에 적합한 코드를 사용하면 감전의 위험을 줄일 수 있습니다.
- f. **습기가 많은 곳에서 전동 공구를 작동하는 것이 불가피한 경우 RCD (잔류 전류 장치) 보호 전원을 사용하십시오.** RCD 를 사용하면 감전의 위험이 줄어듭니다.

## 3. 개인의 안전

- a. **주의를 기울이고 작업을 지켜보고 전동 공구를 작동할 때는 상식을 따르십시오.** 피곤하거나 약물, 알코올 또는 약물의 영향을 받은 상태에서 전동 공구를 사용하지 마십시오. 전동 공구를 작동하는 동안 잠시 부주의하면 심각한 부상을 입을 수 있습니다.
- b. **개인 보호 장비를 사용하십시오. 항상 보안경을 착용하십시오.** 방진 마스크, 미끄럼 방지 안전화, 안전모 또는 청력 보호구와 같은 보호 장비를 적절한 조건에 사용하면 부상을 줄일 수 있습니다.
- c. **의도하지 않은 작동을 방지합니다.** 전원 및/또는 배터리 팩에 연결하기 전에 스위치가 꺼진 위치에 있는지 확인하고 공구를 들거나 운반하십시오. 스위치에 손가락을 대고 전동공구를 운반하거나 스위치가 켜져 있는 전동공구에 전원을 공급하면 사고를 유발할 수 있습니다.
- d. **전동공구를 켜기 전에 조정 키나 렌치를 제거하십시오.** 전동공구의 회전부에 렌치나 키가 부착되어 있으면 부상을 입을 수 있습니다.
- e. **과도하게 사용하지 마십시오. 항상 적절한 발판과 균형을 유지하십시오.** 이를 통해 예상치 못한 상황에서 전동 공구를 더 잘 제어할 수 있습니다.
- f. **적절한 옷차림을 하십시오. 헐렁한 옷이나 장신구를 착용하지 마십시오.** 머리카락, 의복 및 장갑을 움직이는 부품에 가까이 두지 마십시오. 헐렁한 옷, 장신구 또는 긴 머리카락이 움직이는 부품에 걸릴 수 있습니다.
- g. **먼지 배출 및 집진 설비의 연결을 위한 장치가 제공되는 경우 이를 연결하고 적절하게 사용하십시오.** 집진기를 사용하면 먼지 관련 위험을 줄일 수 있습니다.

## 기술 데이터

REVHD12C		
전압	V <sub>dc</sub>	10.8V (최대 12V)
무부하 속도	min <sup>-1</sup>	0-350/0-1350RPM
최대 토크	Nm	17.5/40
척 용량	mm	1-10
최대 드릴링 용량		
강철/목재/석조	mm	10 / 25 / 10
무게	kg	1.0

일체형 배터리		
배터리 유형		리튬 이온
Ah 등급		1.5

충전기		
S010QV1400040		
입력 전압	V <sub>ac</sub>	100-240
출력 전압	V <sub>dc</sub>	14
전류	mA	400mA
대략. 충전 시간	h	4

## 사용 목적

BLACK+DECKER™ REVHD12C – 햄머 드릴은 스크루드라이빙 작업과 목재 금속 및 석조 드릴링용으로 설계되었습니다. 이 공구는 소비자 전용입니다.

## 안전 지침

## 일반 전동공구 안전 경고



**경고! 모든 안전 경고를 읽고, 이 전동 공구와 함께 제공된 지침, 그림 및 사양.**

아래의 경고 및 경고, 화재 및/또는 심각한 피해를 입을 수 있습니다. 아래 나열된 경고 및 지침을 따르지 않으면 감전, 화재 및/또는 심각한 부상을 입을 수 있습니다.

## 나중에 참조할 수 있도록 모든 경고 및 지침을 보관하십시오.

아래 나열된 모든 경고에서 "전동 공구" 라는 용어는 주전원으로 작동되는 (유선) 전동 공구 또는 배터리로 작동되는 (무선) 전동 공구를 나타냅니다.

## 1. 작업장 안전

- a. **작업 공간을 깨끗하고 밝게 유지하십시오.** 어수선하거나 어두운 곳은 사고를 유발합니다.
- b. **가연성 액체, 가스 또는 먼지가 있는 곳과 같은 폭발성 환경에서 전동 공구를 작동하지 마십시오.** 전동 공구는 먼지나

- h. 공구를 자주 사용하여 얻은 친숙함으로 인해 안주하고 공구 안전 원칙을 무시하게 하지 마십시오. 부주의한 행동은 1 초 미만의 찰나의 순간에 심각한 부상을 초래할 수 있습니다.

#### 4. 전동공구 사용 및 관리

- a. 전동공구에 무리한 힘을 가하지 마십시오. 용도에 맞는 전동공구를 사용하십시오.  
올바른 전동공구는 설계된 속도로 작업을 더 잘 수행하고 더 안전하게 수행할 것입니다.
- b. 스위치로 전원이 켜지거나 꺼지지 않으면 전동공구를 사용하지 마십시오. 스위치로 제어할 수 없는 전동 공구는 위험하므로 수리해야 합니다.
- c. 조정을 하거나, 액세서리를 교체하거나, 전동 공구를 보관하기 전에 전원에서 플러그 및/또는 전동 공구에서 배터리 팩을 뽑으십시오. 이러한 예방적 안전 조치는 전동 공구가 우발적으로 작동할 위험을 줄여줍니다.
- d. 사용하지 않는 전동 공구는 어린이의 손이 닿지 않는 곳에 보관하고 전동 공구나 이 지침에 익숙하지 않은 사람이 전동 공구를 조작하지 못하게 하십시오.

전동 공구는 훈련을 받지 않은 사용자의 손에 위험합니다.

- e. 전동 공구 및 액세서리를 유지 관리하십시오. 움직이는 부품의 정렬 불량 또는 바인딩, 부품 파손 및 전동 공구 작동에 영향을 줄 수 있는 기타 조건이 있는지 확인하십시오. 손상된 경우 사용하기 전에 전동 공구를 수리하십시오. 많은 사자가 제대로 관리되지 않은 전동 공구로 인해 발생합니다.
- f. 절단 공구를 날카롭고 깨끗하게 유지하십시오. 예리한 절단 모서리가 있는 적절하게 유지 관리된 절단 공구는 무일 가능성이 적고 제어하기가 더 쉽습니다.
- g. 작업 조건과 수행할 작업을 고려하여 이 지침에 따라 전동 공구, 액세서리 및 공구 비트 등을 사용하십시오. 의도한 것과 다른 작업에 전동 공구를 사용하면 위험한 상황이 발생할 수 있습니다.
- h. 손잡이와 잡는 표면을 건조하고 깨끗하게 유지하고 기름과 그리스가 묻지 않도록 하십시오. 미끄러운 손잡이와 잡는 표면은 예기치 않은 상황에서 공구를 안전하게 취급하고 제어할 수 없습니다.

#### 5. 배터리 공구 사용 및 관리

- a. 제조사에서 지정한 충전기로만 충전하십시오. 한 종류의 배터리 팩에 적합한 충전기를 다른 배터리 팩과 함께 사용할 경우 화재의 위험이 있습니다.
- b. 전동공구는 특별히 지정된 배터리 팩만 사용하십시오. 다른 배터리 팩을 사용하면 부상 및 화재의 위험이 있습니다.
- c. 배터리 팩을 사용하지 않을 때는 종이 클립, 동전, 열쇠, 못, 나사 또는 다른 작은 금속 물체와 같이 한 단자에서 다른 단자로 연결할 수 있는 다른 금속 물체에서 멀리 두십시오. 배터리 단자를 합선하면 화상이나 화재의 원인이 됩니다.
- d. 가혹한 조건에서는 배터리에서 액체가 배출될 수 있습니다. 접촉을 피하십시오. 실수로 접촉한 경우 물로 씻어내십시오. 액체가 눈에 들어간 경우 추가로 의사의 도움을 받으십시오. 배터리에서 나오는 액체는 자극이나 화상을 유발할 수 있습니다.
- e. 손상되거나 개조된 배터리 팩이나 공구를 사용하지 마십시오.

손상되거나 개조된 배터리는 화재, 폭발 또는 부상 위험을 초래하는 예측할 수 없는 동작을 나타낼 수 있습니다.

- f. 배터리 팩이나 공구를 불이나 과도한 온도에 노출시키지 마십시오. 화재 또는 130 °C 이상의 온도에 노출되면 폭발을 일으킬 수 있습니다.
- g. 모든 충전 지침을 따르고 지침에 지정된 온도 범위를 벗어나 배터리 팩이나 공구를 충전하지 마십시오. 부적절하게 충전하거나 지정된 범위를 벗어난 온도에서 충전하면 배터리가 손상되고 화재의 위험이 증가할 수 있습니다.

#### 6. 서비스

- a. 동일한 교체 부품만을 사용하여 자격을 갖춘 수리 기술자에게 전동 공구를 수리하십시오. 이렇게 하면 전동 공구의 안전이 유지됩니다.
- b. 손상된 배터리 팩은 절대로 수리하지 마십시오. 배터리 팩의 서비스는 제조업체 또는 공인 서비스 제공 업체에서만 수행해야 합니다.

#### 모든 작업에 대한 안전 지침

- 햄머 드릴링 시 귀마개를 착용하십시오. 소음이 노출되면 청력 손실이 발생할 수 있습니다.
- 절단 액세서리나 패스너가 숨겨진 배선과 접촉할 수 있는 작업을 수행할 때는 절연 그림 표면으로 전동 공구를 잡으십시오. "전류가 흐르는" 와이어와 접촉하는 절단 액세서리 또는 패스너는 전동 공구의 노출된 금속 부분을 "전류가 흐르는" 상태로 만들고 작업자에게 감전을 줄 수 있습니다.

#### 추가 전동 공구 안전 경고



**경고!** 드릴/드라이버/해머드릴에 대한 추가안전경고.

- 클램프 또는 기타 실용적인 방법을 사용하여 공작물을 안정적인 플랫폼에 고정하고 지지합니다. 공작물을 손으로 잡거나 몸에 대고 있으면 불안정하여 통제력을 잃을 수 있습니다.
- 작동 중에는 액세서리와 공구가 뜨거워질 수 있습니다. 금속 드릴링과 같이 열이 발생하는 작업을 수행하는 경우 장갑을 착용하십시오.
- 통풍구는 종종 움직이는 부품을 덮으므로 피해야 합니다. 할당된 옷, 장신구 또는 긴 머리카락이 움직이는 부품에 끼일 수 있습니다.
- 보안경 또는 기타 보호장치를 착용하십시오. 해머링 및 드릴링 작업으로 인해 칩이 날아갑니다. 날아다니는 입자는 영구적인 눈 손상을 일으킬 수 있습니다.
- 햄머 드릴링 시 귀마개를 착용하십시오. 소음이 노출되면 청력 손실이 발생할 수 있습니다.
- 공구와 함께 제공된 경우 보조 핸들을 사용하십시오. 통제력을 잃으면 부상을 입을 수 있습니다.
- 이 공구를 장기간 작동하지 마십시오. 공구 작동으로 인한 진동은 손과 팔에 해로울 수 있습니다. 장갑을 사용하여 추가 쿠션을 제공하고 자주 휴식을 취하여 노출을 제한하십시오.

## 긴 드릴 비트 사용 시 안전 지침

- ◆ **드릴 비트의 최대 속도 등급보다 더 높은 속도로 작동하지 마십시오.** 더 높은 속도에서 공작물에 닿지 않고 자유롭게 회전하면 비트가 구부러져 부상을 입을 수 있습니다.
- ◆ **항상 낮은 속도로 드릴링을 시작하고 비트 팁이 공작물에 닿아 있도록 하십시오.** 더 높은 속도에서 공작물에 닿지 않고 자유롭게 회전하면 비트가 구부러져 부상을 입을 수 있습니다.
- ◆ **비트와 일직선으로만 압력을 가하고 무리한 압력을 가하지 마십시오.** 비트가 구부러져 파손되거나 통제력을 상실하여 개인의 부상을 초래할 수 있습니다.

## 타인의 안전

- ◆ 이 공구는 안전 책임자로부터 기기 사용에 관한 감독이나 지시를 받지 않은 경우 신체적, 감각적 또는 정신적 능력이 저하되거나 경험과 지식이 부족한 사람 (어린이 포함) 이 사용하도록 제작되지 않았습니다.
- ◆ 어린이가 기기를 가지고 놀지 않도록 감독해야 합니다.

## 잔여 위험

동봉된 안전 경고에 포함되지 않은 공구를 사용할 때 추가적인 위험이 발생할 수 있습니다. 이러한 위험은 오용, 장기간 사용 등으로 인해 발생할 수 있습니다. 관련 안전 규정을 적용하고 안전 장치를 구현하더라도 특정 잔류 위험을 피할 수 없습니다. 여기에는 다음이 포함됩니다.

- ◆ 회전/움직이는 부품을 만짐으로 인한 부상.
- ◆ 부품, 블레이드 또는 액세서리를 교체할 때 발생하는 부상.
- ◆ 공구의 장기간 사용으로 인한 부상. 장기간 공구를 사용할 때는 정기적으로 휴식을 취하십시오.
- ◆ 청각 장애.
- ◆ 공구를 사용할 때 발생하는 먼지 흡입으로 인한 건강 위험 (예: 나무, 특히 참나무, 너도밤나무 및 MDF)

## 공구의 라벨

날짜 코드와 함께 다음 픽토그램이 공구에 표시됩니다 :



**경고!** 부상의 위험을 줄이기 위해 사용자는 사용 설명서를 읽어야 합니다.



작동 램프를 쳐다보지 마십시오.

## 모든 내장형 배터리 공구에 대한 중요 안전 지침

경고! 배터리, 충전기 및 제품에 대한 모든 안전 경고, 지침 및 주의 표시를 읽으십시오. 경고 및 지침을 따르지 않으면 감전, 화재 및/또는 심각한 부상을 입을 수 있습니다.

- ◆ 충전기 플러그를 공구에 강제로 꽂지 마십시오.
- ◆ 배터리가 파열되어 심각한 부상을 입을 수 있으므로 호환되지 않는 충전기의 충전기 플러그를 공구에 맞도록 어떤 식으로든 개조하지 마십시오.
- ◆ 가연성 액체, 가스 또는 먼지가 있는 곳과 같은 폭발성 환경에서 배터리를 충전하거나 사용하지 마십시오.

공구에서 충전기 플러그를 삽입하거나 제거하면 먼지나 연기가 발화될 수 있습니다.

- ◆ 제공된 충전 리드와 적절한 클래스 2 전원 공급 장치로만 배터리를 충전하십시오.
- ◆ 물을 튀기거나 담그지 마십시오.
- ◆ 물이나 액체가 공구에 들어가지 않도록 하십시오.
- ◆ 온도가 40°C (104°F) 에 도달하거나 초과할 수 있는 위치 (예: 여름에 외부 창고 또는 금속 건물)에서 공구를 보관하거나 사용하지 마십시오. 서늘하고 건조한 장소에서 공구를 보관하십시오.
- ◆ 스위치가 잠겨 있는 상태로 공구를 보관하지 마십시오. ON 위치에 있는 스위치를 테이프로 붙이지 마십시오.
- ◆ 심하게 손상되었거나 완전히 마모된 경우에도 공구를 소각하지 마십시오. 배터리는 화재로 폭발할 수 있습니다. 리튬 이온 배터리를 태울 때 유독 가스와 물질이 생성됩니다.
- ◆ 배터리 내용물이 피부에 닿은 경우 즉시 순한 비누와 물로 해당 부위를 씻으십시오. 배터리 액이 눈에 들어간 경우 15분 동안 또는 자극이 사라질 때까지 눈을 뜨고 물로 씻어내십시오. 의료 조치가 필요한 경우 배터리 전해질은 액체 유기 탄산염과 리튬 염의 혼합물로 구성됩니다.
- ◆ 개봉된 배터리 셀의 내용물은 호흡기 자극을 유발할 수 있습니다. 신선한 공기를 제공하십시오. 증상이 지속되면 의사의 진찰을 받으십시오.
- ◆ 불꽃이나 화염에 노출되면 배터리 액체가 인화될 수 있습니다.
- ◆ 어떤 이유든 공구를 열려고 시도하지 마십시오. 공구 케이스에 금이 가거나 손상된 경우 충전하지 마십시오. 공구를 부수거나 떨어뜨리거나 손상시키지 마십시오. 날카로운 타격을 받거나, 떨어뜨리거나, 밟거나, 어떤 방식으로든 손상된 (예: 못으로 뚫기, 망치로 두들기거나 발힌) 공구나 충전기를 사용하지 마십시오. 손상된 공구는 재활용을 위해 서비스 센터에 반환해야 합니다.

## 보관 권장 사항

**가장 좋은 보관 장소는 직사광선과 과도한 열이나 추위를 피하고 서늘하고 건조한 곳입니다.**

**완전히 충전된 공구는 충전기에서 분리하여 보관하십시오.**

## 운송

**참고:** 일체형 리튬 이온 공구는 비행기의 위탁 수하물에 넣으면 안 되며 휴대 수하물에 있는 경우 합선으로부터 적절히 보호되어야 합니다.

## 모든 통합 배터리 충전에 대한 중요 안전 지침

경고! 배터리, 충전 케이블 및 제품에 대한 모든 안전 경고, 지침 및 주의 표시를 읽으십시오. 경고 및 지침을 따르지 않으면 감전, 화재 및/또는 심각한 부상을 입을 수 있습니다.

- ◆ 제공된 충전 케이블은 마이크로 충전 포트가 있는 BLACK+DECKER 충전 도구를 충전하는 것 외에 다른 용도로 사용할 수 없습니다. 다른 유형의 공구를 충전하면 배터리가

과열되어 파열되어 부상, 재산 피해, 화재, 감전 또는 감전 사고가 발생할 수 있습니다.

- ◆ 충전기가 침수됐거나 물이 들어간 경우에는 사용을 중지하십시오.
- ◆ 충전 케이블을 뽑을 때는 코드가 아닌 플러그를 잡아 빼십시오. 이렇게 하면 플러그와 코드가 손상될 위험이 줄어듭니다.
- ◆ 코드가 밟히거나 걸려 넘어지거나 손상되지 않도록 주의하십시오.
- ◆ 실외에서 공구를 충전할 때는 항상 건조한 장소를 제공하십시오.
- ◆ 코드나 플러그가 손상된 충전 케이블을 사용하지 마십시오. 즉시 교체하십시오.
- ◆ 그리인딩 면지, 금속 조각, 스틸 울, 알루미늄 호일 또는 축적된 금속 입자와 같은 (이에 국한되지 않음) 전도성이 있는 이물질은 충전 및 마이크로 충전 플러그 및 포트에서 멀리 떨어져 있어야 합니다.
- ◆ 충전이 완료 된 이후에는 충전기 전원 플러그를 빼십시오. \*감전, 누전 및 화재의 원인이 됩니다.

## 전기 안전



충전기는 이중 절연되어 있으므로 접지선이 필요하지 않습니다. 주전원 전압이 명판의 전압과 일치하는지 항상 확인하십시오. 충전기를 일반 전원 플러그로 교체하지 마십시오.

- ◆ 전원 코드가 손상된 경우 위험을 방지하기 위해 제조업체 또는 공인 BLACK+DECKER 서비스 센터에서 교체해야 합니다.

**경고!** 충전기를 일반 전원 플러그로 교체하지 마십시오.

## 기능

이 공구에는 다음 기능 중 일부 또는 전부가 포함되어 있습니다:

1. 가변 속도 스위치
  2. 정회전/역회전 슬라이더
  3. 토크 조절 칼라
  4. 키리스 척
  5. 충전기
- 5a. 충전 포트  
5b. 충전 표시기 (연결할 때까지 표시되지 않음)
6. 2 단 변속기어
  7. LED 작업등\*

## 배터리 충전 (그림 A)

통합 배터리는 처음 사용하기 전과 이전에 쉽게 수행할 수 있었던 작업에서 충분한 전력을 생산하지 못할 때마다 충전해야 합니다. 충전하는 동안 배터리가 뜨거워질 수 있습니다. 이는 정상이며 문제를 나타내지 않습니다.

**경고!** 주위 온도가 10 °C 미만 또는 40 °C 이상인 곳에서 배터리를 충전하지 마십시오. 권장 충전 온도: 약 24 °C

**참고:** 온도가 약 10 °C 미만이거나 40 °C 이상인 경우 충전기는 배터리를 충전하지 않습니다.

통합 배터리는 충전기에 연결된 상태로 유지해야 하며 셀 온도가 따뜻해지거나 냉각될 때 충전기가 자동으로 충전되기 시작합니다.

- ◆ 충전 커넥터 (5) 를 충전 포트 (5a) 에 삽입합니다.

- ◆ 충전 커넥터 (5) 를 연결합니다.
- ◆ 약 4 시간 동안 공구를 충전기에 연결한 상태로 두십시오.
- ◆ 충전 중에는 충전 표시등 (5b) 이 켜집니다.
- ◆ 제품 충전 시 제품에서 연기가 나면 즉시 전원 플러그를 뽑은 후 스탠바이랙테더 고객지원센터로 연락하십시오.
- ◆ 충전기를 연결하여 충전이 시작되는 순간 누전차단기가 작동하면 즉시 충전을 멈추고 고객지원센터로 연락하십시오.
- ◆ 제품을 충전할 때, 제품 전원을 끈는지 반드시 확인하고 충전하십시오.
- ◆ 전원 플러그를 하나의 콘센트 (멀티탭) 에 여러 제품을 동시에 사용하지 마십시오. \*콘센트의 이상 발열로 화재의 원인이 됩니다. \*차단기가 작동하여 전원이 꺼질 수 있습니다.
- ◆ 변압기를 사용하는 경우 전압, 주파수, 정격 전력의 조건이 다르기 때문에 감전, 화재의 원인이 될 수 있습니다.
- ◆ 충전기를 청소 할 때는 반드시 전원 플러그를 빼십시오.
- ◆ 외출 시에는 반드시 충전기 전원 플러그를 뽑아 주십시오. \*누전, 화재의 원인이 될 수 있습니다.
- ◆ 충전 단자에 젓가락, 드라이버 등을 넣거나 접촉하여 쇼트 시키지 마십시오.
- ◆ 동물이 충전기 전원을 갉아 먹지 않도록 주의 하십시오.
- ◆ 어린이 등, 경험과 지식이 부족한 사람이 사용할 경우에는 보호자가 꼭 보호하에 사용하도록 해주십시오.

## 작동 지침

### 트리거 스위치 및 반전 버튼 (그림 B, C)

- ◆ 트리거 스위치 (1) 를 당겼다 놓으면 드릴이 켜지고 꺼집니다. 트리거를 더 많이 누를 수록 드릴의 속도가 더 빨라집니다.
- ◆ 정회전/역회전 제어 버튼 (2) 은 공구의 방향을 결정하고 잠금 해제 버튼 역할도 합니다.
- ◆ 정회전을 선택하려면 트리거 스위치에서 손을 떼고 정회전/역회전 제어 버튼을 왼쪽으로 누릅니다.
- ◆ 역방향을 선택하려면 정방향/역방향 제어 버튼을 반대 방향으로 누르십시오.
- ◆ 공구를 잠그려면 전진/후진 슬라이더를 중앙 위치로 설정하십시오.

**참고:** 제어 버튼의 중앙 위치는 공구를 꺼짐 위치에 잠급니다. 제어 버튼의 위치를 변경할 때 트리거가 해제되었는지 확인하십시오.

### 토크 제어 (그림 D)

이 도구에는 작동 모드를 선택하고 나사를 조이기 위한 토크를 설정하기 위한 토크 조정 칼라 (3) 가 장착되어 있습니다. 큰 나사와 단단한 공작물 재료는 작은 나사와 부드러운 공작물 재료보다 더 높은 토크 설정이 필요합니다.

- ◆ 드릴링의 경우 칼라를 드릴링 위치 기호 1 로 설정하십시오.
- ◆ 나사를 조이려면 칼라를 원하는 설정으로 설정하십시오. 적절한 설정을 아직 모르는 경우 다음과 같이 진행하십시오.
- ◆ 칼라를 최저 토크 설정으로 설정하십시오.
- ◆ 첫 번째 나사를 조입니다.
- ◆ 클러치가 원하는 결과를 얻기 전에 래칫 소리가 나면 칼라 설정을 높이고 나사를 계속 조입니다. 올바른 설정에 도달할 때까지 반복합니다. 나머지 나사에 이 설정을 사용합니다.

## 키리스 척 (그림 E)

**경고!** 액세서리를 설치하거나 제거하기 전에 스위치 작동을 방지하기 위해 잠금 해제 버튼이 잠겨 있는지 확인하십시오. 드릴 비트 또는 기타 액세서리를 삽입하려면:

- ◆ 한 손으로 척 (8) 의 뒤쪽 절반을 잡고 다른 손으로 척 끝에서 볼 때 반시계 방향으로 앞쪽 절반 (9) 을 회전시킵니다.
- ◆ 비트 또는 기타 액세서리를 척에 완전히 삽입하고 척의 뒤쪽 절반을 잡고 앞쪽 부분을 척 끝에서 볼 때 시계 방향으로 돌려서 단단히 조입니다.

**경고!** 척의 앞부분을 잡고 공구를 켜서 드릴 비트 (또는 기타 액세서리) 를 조이지 마십시오. 액세서리를 교체할 때 척이 손상되고 부상을 입을 수 있습니다.

## 2 단 변속기어 (그림 F)

드릴의 이중 범위 기능을 사용하면 더 다양한 용도로 기어를 변경할 수 있습니다. 저속, 고토크 설정 (위치 1) 을 선택하려면 공구를 끄고 정지시키십시오. 기어 변속 버튼 (6) 을 척에서 멀어지도록 밀어냅니다.

고속, 저토크 설정 (위치 2) 을 선택하려면 공구를 끄고 정지시키십시오.

기어 변속 버튼을 척 쪽으로 밀니다.

**참고:** 공구가 작동 중일 때 기어를 변경하지 마십시오. 기어를 변경하는 데 문제가 있는 경우 이중 범위 기어 버튼이 완전히 앞으로 밀리거나 완전히 뒤로 밀리는지 확인하십시오.

## 드릴링/스크루드라이빙 (그림 C)

- ◆ 정회전/역회전 슬라이더 (2) 를 사용하여 정회전 또는 역회전을 선택합니다.
- ◆ 공구를 켜려면 스위치 (1) 를 누르십시오. 공구 속도는 스위치를 누르는 거리에 따라 다릅니다.
- ◆ 공구를 끄려면 스위치에서 손을 떼십시오.

## 최적의 사용을 위한 힌트

### 드릴링

- ◆ 날카로운 드릴 비트만 사용하십시오.
- ◆ 안전 지침의 지침에 따라 적절하게 작업을 지원하고 고정합니다.
- ◆ 안전 지침의 지시에 따라 적절하고 필요한 안전 장비를 사용하십시오.
- ◆ 안전 지침의 지침에 따라 작업 공간을 확보하고 유지합니다.
- ◆ 드릴 비트가 빠지지 않을 정도로 구멍이 시작될 때까지 가벼운 압력을 사용하여 드릴을 매우 천천히 실행합니다.
- ◆ A 비트와 일직선으로 압력을 가합니다. 비트가 계속 물릴 수 있도록 충분한 압력을 가하되 모터를 정지시키거나 비트를 편향시키지 않도록 하십시오.
- ◆ 드릴의 비틀림을 제어하기 위해 두 손으로 드릴을 단단히 잡으십시오.
- ◆ 시작하려는 시도에서 정지된 드릴을 깎다가 켜는 트리를 클릭하지 마십시오. 드릴이 손상될 수 있습니다.
- ◆ 압력을 줄이고 구멍의 마지막 부분을 천천히 천공하여 돌파 시 실속을 최소화합니다.
- ◆ 드릴된 구멍에서 비트를 빼내는 동안 모터를 계속

작동시키십시오. 이것은 방해를 줄이는 데 도움이 됩니다.

- ◆ 스위치가 드릴을 켜고 끄는지 확인하십시오.

## 나무 드릴링

나무 구멍은 금속에 사용되는 것과 동일한 트위스트 드릴 비트 또는 스페이드 비트로 만들 수 있습니다. 이 비트는 날카로우야 하며 플루트에서 칩을 제거하기 위해 드릴링할 때 자주 뿜어야 합니다.

## 금속 드릴링

금속 드릴링 시 절삭 윤활제를 사용하십시오. 추철과 황동은 예외로 드릴로 건조해야 합니다. 가장 잘 작동하는 절삭유는 황화 절삭유 또는 라드유입니다.

## 석조 드릴링

석조 드릴링의 경우 기호를 표시와 정렬하여 칼라 (3) 를 해머 드릴링 위치로 설정합니다.

속도 선택기 (6) 를 공구 (2 단 기어) 앞쪽으로 밀니다.

## 스크루드라이빙

- ◆ 항상 올바른 유형과 크기의 드라이버 비트를 사용하십시오.
- ◆ 나사를 조이기 어려운 경우에는 소량의 세제나 비누를 윤활제로 사용하십시오.
- ◆ 항상 공구와 드라이버 비트를 나사로 일직선이 되도록 잡으십시오.

## 문제 해결

문제	가능한 원인	가능한 해결책
기기가 작동되지 않습니다.	배터리가 충전되지 않았습니다.	배터리 충전 요구 사항 확인
배터리가 충전되지 않습니다.	충전기가 연결되지 않았습니다.  주변 공기 온도가 너무 덥거나 너무 춥습니다.	충전기를 작동하는 콘센트에 꽂습니다.  충전기를 40°F (약 10 °C) 이상 또는 105°F (+40.5°C) 미만의 주변 온도 환경으로 옮깁니다.
장치가 갑자기 꺼집니다.	배터리가 최대 열 제한에 도달했습니다.  충전 불가. (배터리의 수명을 최대화하기 위해 충전량이 소진되면 갑자기 꺼지도록 설계되었습니다.	배터리를 식하십시오.  충전기에 놓고 충전할 수 있습니다.

## 액세서리

공구의 성능은 사용하는 액세서리에 따라 다릅니다.

BLACK+DECKER 액세서리는 고품질 표준에 따라 설계되었으며 공구의 성능을 향상시키도록 설계되었습니다. 이러한 액세서리를 사용하면 공구를 최대한 활용할 수 있습니다.

**경고!** 공구에 대한 유지보수를 수행하기 전에 공구에서 배터리를 제거하십시오. 청소하기 전에 충전기의 플러그를 뽑으십시오.

- 부드러운 솔이나 마른 천을 사용하여 공구와 충전기의 통풍구를 정기적으로 청소하십시오.
- 젖은 천을 사용하여 모터 하우징을 정기적으로 청소하십시오. 연마제 또는 솔벤트 기반 클리너를 사용하지 마십시오.
- 비트 홀더를 정기적으로 두드려 내부의 먼지를 제거하십시오.

## 유지 보수

BLACK+DECKER 공구는 최소한의 유지 관리로 장기간 작동하도록 설계되었습니다. 지속적인 만족스러운 작동은 적절한 제품 관리와 정기적인 청소에 달려 있습니다.

충전기는 정기적인 청소 외에는 유지 관리가 필요하지 않습니다.

**경고!** 공구를 청소하거나 유지보수하기 전에 충전기의 플러그를 뽑으십시오.

- 부드러운 솔이나 마른 천을 사용하여 공구의 통풍구를 정기적으로 청소하십시오.
- 젖은 천을 사용하여 모터 하우징을 정기적으로 청소하십시오. 연마제 또는 솔벤트 기반 클리너를 사용하지 마십시오.

## 환경 보호



분리 수거, 이 기호가 표시된 제품과 배터리를 일반 가정용 쓰레기와 함께 처리하면 안됩니다.

제품과 배터리에는 재활되거나 재사용되고 고철 자원에 대한 수요를 줄일 수 있는 자재가 포함되어 있습니다.

전기 제품과 배터리는 지역 규정에 따라 재활용하십시오. 자세한 정보는 [www.2helpU.com](http://www.2helpU.com) 에서 확인할 수 있습니다

## 서비스 정보

BLACK+DECKER 는 아시아 전역에 걸쳐 회사 소유 및 승인된 서비스 위치의 전체 네트워크를 제공합니다. 모든 BLACK+DECKER 서비스 센터에는 숙련된 직원이 배치되어 고객에게 효율적이고 안정적인 제품 서비스를 제공합니다.

기술 지원, 수리 또는 순정 교체 부품 구매 및 기타 서비스 관련 문의 사항이 있으실 경우 스탠리블랙앤데커 고객지원 센터 (1577-0933) 으로 문의하십시오.

## 참고

- BLACK+DECKER 의 정책은 당사 제품의 지속적인 개선 중 하나이며, 이에 따라 당사는 사전 통지 없이 제품 사양을 변경할 수 있는 권리를 보유합니다.
- 표준 장비 및 액세서리는 국가마다 다를 수 있습니다.
- 제품 사양은 국가별로 다를 수 있습니다.
- 국가에 따라 판매하지 않는 제품도 있을 수 있습니다. 제품판매 여부는 스탠리블랙앤데커 고객지원 센터 (1577-0933) 으로 문의하십시오.

## REVHD12C

## Mesin bor beton

## Data teknis

		REVHD12C
Tegangan	$V_{dc}$	10,8V(12V Max)
Kecepatan tanpa beban	min <sup>-1</sup>	0-350/0-1350RPM
Torsi maks	Nm	17,5/40
Kapasitas kepala bor	mm	1-10
Kapasitas Pengeboran Maks		
Baja/Kayu/Bebatuan	mm	10 / 25 / 10
Berat	kg	1.0
<b>Baterai Bawaan</b>		
Tipe baterai		Li-Ion
Rating Ah (ampere-hour)		1.5
<b>Pengisi daya</b>		
S010QV1400040		
Tegangan masuk	$V_{ac}$	100-240
Tegangan keluar	$V_{dc}$	14
Arus	mA	400mA
Perkiraan waktu pengisian daya	h	4

## Tujuan penggunaan

Mesin Bor Beton BLACK+DECKER™ Tipe REVHD12C Anda, sudah dirancang untuk pemasangan baut dan pengeboran kayu, logam, serta bebatuan. Penggunaan mesin ini hanya diperuntukkan bagi pelanggan saja.

## Petunjuk keselamatan

## Peringatan umum untuk keselamatan perkakas listrik



## Peringatan! Baca semua peringatan

keamanan, instruksi, ilustrasi, dan spesifikasi yang disertakan bersama perkakas listrik ini. Kegagalan mengikuti instruksi dan peringatan yang tercantum di bawah ini dapat menyebabkan terjadinya sengatan listrik, kebakaran, dan/atau cedera yang serius.

**Simpan semua peringatan dan petunjuk untuk referensi di masa mendatang.** Kata "alat listrik" dalam semua peringatan yang tercantum di bawah ini mengacu pada alat listrik (kabel) utama yang anda gunakan atau alat listrik (tanpa kabel) yang menggunakan baterai.

- 1. Keselamatan area kerja**
  - a. Jaga agar area kerja tetap bersih dan terang.** Area yang berantakan atau gelap berpotensi mengakibatkan kecelakaan.
  - b. Jangan mengoperasikan perkakas listrik ini di lingkungan yang mudah menimbulkan bahaya ledakan, seperti di tempat yang terdapat cairan, gas, atau debu yang mudah terbakar.** Perkakas listrik menimbulkan percikan api yang dapat menyulut debu atau uap.
  - c. Jauhkan anak-anak dan orang-orang di sekitar Anda saat mengoperasikan perkakas listrik.** Gangguan dapat menyebabkan Anda kehilangan kendali.
- 2. Keselamatan kelistrikan**
  - a. Steker perkakas listrik harus sesuai dengan soketnya.** Jangan pernah memodifikasi steker dengan cara apa pun. Jangan gunakan steker adaptor apa pun dengan perkakas listrik yang dibumikan (diardekan). Steker yang tidak dimodifikasi dan stopkontak yang sesuai akan mengurangi risiko sengatan listrik.
  - b. Hindari kontak badan dengan permukaan yang dibumikan (grounded), seperti pipa, radiator, kompor, dan kulkas.** Risiko sengatan listrik dapat meningkat jika tubuh Anda bersentuhan dengan permukaan yang dibumikan.
  - c. Jangan sampai perkakas listrik ini terkena hujan atau terpapar di kondisi yang basah.** Air yang masuk ke perkakas listrik akan meningkatkan risiko sengatan listrik.
  - d. Jangan menyalahgunakan kabel.** Jangan sekali-kali menggunakan kabel untuk membawa, menarik, atau mencabut perkakas listrik. Jauhkan kabel dari panas, minyak, tepi tajam, atau komponen yang bergerak. Kabel yang rusak atau terbelit meningkatkan risiko sengatan listrik.
  - e. Bila mengoperasikan perkakas listrik di luar ruangan, gunakan kabel ekstensi yang sesuai untuk penggunaan di luar ruangan.** Menggunakan kabel yang sesuai untuk penggunaan di luar ruangan akan mengurangi risiko sengatan listrik.
  - f. Jika penggunaan perkakas listrik di lokasi yang lembap tidak dapat dihindari, gunakan suplai yang terlindung oleh perangkat arus sisa (RCD).** Penggunaan RCD akan mengurangi risiko sengatan listrik.
- 3. Keselamatan diri**
  - a. Tetap waspada, perhatikan apa yang Anda kerjakan dan gunakan akal sehat saat mengoperasikan perkakas listrik.** Jangan mengoperasikan perkakas listrik bila Anda sedang lelah, atau berada di bawah pengaruh obat, alkohol, atau pengobatan. Kelengahan

sesaat saat mengoperasikan perkakas listrik dapat mengakibatkan cedera diri serius.

- b. **Gunakan peralatan pelindung diri. Selalu kenakan alat pelindung mata.** Peralatan pelindung, seperti masker debu, sepatu keselamatan antiselip, helm proyek, atau pelindung telinga yang digunakan untuk kondisi yang sesuai akan mengurangi risiko cedera diri.
  - c. **Hindarkan menyalakan alat tanpa disengaja. Pastikan bahwa sakelar sudah dalam posisi mati sebelum menghubungkannya ke sumber listrik dan/atau baterai, mengambil, atau membawa alat.** Membawa perkakas listrik dengan jari Anda masih menempel pada tombol atau menghidupkan perkakas listrik yang tombolnya masih menyala akan berpotensi mengakibatkan kecelakaan.
  - d. **Lepaskan semua kunci setelan atau kunci pas sebelum menghidupkan perkakas listrik.** Kunci pas atau kunci yang dibiarkan terpasang pada komponen perkakas listrik yang berputar dapat mengakibatkan cedera diri.
  - e. **Jangan melampaui batas pijakan. Selalu jaga pijakan dan keseimbangan dengan baik.** Hal ini memungkinkan Anda untuk mengendalikan perkakas listrik secara lebih baik dalam situasi yang tidak terduga.
  - f. **Kenakan pakaian yang sesuai. Jangan mengenakan pakaian longgar atau perhiasan. Jauhkan rambut, pakaian dan sarung tangan dari komponen yang bergerak.** Pakaian yang longgar, perhiasan atau rambut panjang dapat tersangkut pada komponen yang bergerak.
  - g. **Jika disediakan perangkat untuk sambungan fasilitas pengeluaran dan pengumpulan debu, pastikan perangkat ini dihubungkan dan digunakan dengan sesuai.** Penggunaan alat pengumpul debu dapat mengurangi bahaya yang ditimbulkan oleh debu.
  - h. **Meskipun sudah sering menggunakan alat, jangan sampai lengah dan mengabaikan prinsip keselamatan alat.** Tindakan ceroboh dapat menyebabkan cedera parah dalam hitungan sepersekian detik.
4. **Penggunaan dan pemeliharaan perkakas listrik**
    - a. **Jangan menggunakan perkakas listrik dengan sembarang. Gunakan perkakas listrik yang sesuai untuk aplikasi Anda.** Perkakas listrik yang tepat akan bekerja lebih baik dan aman pada tingkatan kerja yang telah dirancang untuk alat itu.
    - b. **Jangan gunakan perkakas listrik ini jika tombol tidak dapat menghidupkan dan mematikan alat.** Perkakas listrik apa pun yang tidak dapat dikendalikan dengan tombol adalah berbahaya dan harus diperbaiki.
    - c. **Lepaskan stopkontak dari sumber listrik dan/atau baterai dari perkakas listrik sebelum melakukan penyetulan apa pun, mengganti aksesoris, atau menyimpan perkakas listrik.** Tindakan pencegahan untuk keselamatan seperti itu akan mengurangi risiko menyalakan perkakas listrik secara tidak disengaja.
    - d. **Simpan perkakas listrik yang tidak digunakan jauh dari jangkauan anak-anak, dan jangan biarkan orang yang tidak memahami perkakas listrik atau petunjuk ini untuk mengoperasikannya.** Perkakas listrik dapat berbahaya bila digunakan oleh pengguna yang tidak terlatih.
    - e. **Rawat perkakas listrik.** Lakukan pemeriksaan untuk mengetahui apakah ada komponen bergerak yang tidak sejajar atau bengkok, komponen yang patah, dan kondisi lainnya yang dapat memengaruhi pengoperasian perkakas listrik. Jika rusak, perbaiki perkakas listrik sebelum digunakan. Banyak kecelakaan terjadi akibat perkakas listrik yang tidak terawat dengan baik.
    - f. **Jaga ketajaman dan kebersihan alat pemotong.** Alat pemotong yang terawat dengan baik dengan mata potong yang tajam, akan kecil kemungkinannya untuk macet serta lebih mudah untuk dikendalikan.
    - g. **Gunakan perkakas listrik, aksesoris, mata bor dan sebagainya, sesuai petunjuk ini, dengan memperhitungkan persyaratan kerja dan jenis pekerjaan yang harus dilakukan.** Penggunaan perkakas listrik untuk pengoperasian yang tidak sesuai dengan tujuan penggunaan dapat mengakibatkan situasi yang berbahaya.
    - h. **Jaga agar permukaan pegangan tetap kering, bersih, bebas dari minyak dan lemak.** Pegangan dan permukaan pegangan yang licin tidak bisa digunakan untuk melakukan penanganan dan pengendalian alat dengan aman saat dalam situasi tak terduga..
  5. **Penggunaan dan pemeliharaan perkakas bertenaga baterai**
    - a. **Isi ulang daya hanya menggunakan pengisi daya yang ditentukan oleh pabrik.** Pengisi daya yang cocok untuk satu tipe baterai, dapat menimbulkan risiko kebakaran jika digunakan pada tipe baterai lainnya.
    - b. **Gunakan perkakas hanya dengan baterai yang ditujukan secara khusus.** Penggunaan baterai lainnya dapat menimbulkan risiko cedera dan kebakaran.
    - c. **Pada saat baterai tidak digunakan, jauhkan baterai dari benda logam seperti klip penjepit kertas, koin, kunci, paku, sekrup, atau benda logam kecil lainnya yang dapat membuat hubungan dari satu terminal dengan terminal lainnya.** Menghubungkan kedua terminal baterai dengan kabel secara tidak semestinya dapat mengakibatkan luka bakar atau kebakaran.
    - d. **Pemakaian yang salah bisa menyebabkan keluarnya cairan dari baterai; hindari kontak.** Jika tidak sengaja



tersentuh, bilas dengan air. Jika cairan mengenai mata, carilah juga bantuan medis. Cairan yang keluar dari baterai dapat menyebabkan iritasi atau luka bakar.

- e. **Jangan gunakan baterai atau alat yang rusak atau telah dimodifikasi.** Baterai yang rusak atau telah dimodifikasi dapat menunjukkan sifat yang tidak dapat diprediksi yang dapat mengakibatkan kebakaran, ledakan atau risiko cedera.
- f. **Jangan dekatkan baterai atau perkakas ke api atau suhu berlebihan.** Paparan pada api atau suhu di atas 130 °C dapat menyebabkan ledakan.
- g. **Iktu semua petunjuk pengisian daya dan jangan isi baterai atau perkakas di luar rentang suhu yang ditetapkan dalam petunjuk.** Mengisi daya tidak semestinya atau pada suhu di luar rentang yang ditetapkan dapat merusak baterai dan meningkatkan risiko kebakaran.

## 6. Servis

- a. **Perkakas listrik sebaiknya diservis oleh teknisi yang berkualifikasi dan hanya menggunakan komponen pengganti yang persis sama.** Hal ini akan membuat keamanan perkakas listrik selalu terjaga.
- b. **Jangan pernah melakukan servis baterai yang rusak.** Servis baterai hanya dapat dilakukan oleh produsen atau penyedia layanan resmi.

## Petunjuk Keselamatan untuk Seluruh Pekerjaan

- **Pakai alat pelindung telinga ketika sedang mengebor beton.** Paparan terhadap bunyi bising bisa menyebabkan kehilangan pendengaran.
- **Pegang alat listrik pada permukaan gagang mesin yang terisolasi saat melakukan pekerjaan yang menggunakan aksesoris pengamplas ada kemungkinan berkontak dengan kabel yang tersembunyi.** Aksesoris yang berkontak dengan kabel yang "menyala" bisa membuat bagian logam alat listrik yang terpapar menjadi "hidup", dan dapat memberikan sengatan listrik pada operator.

## Peringatan tambahan untuk keamanan perkakas listrik



**Peringatan!** Peringatan Keselamatan Tambahan pada Bor/Driver/Bor Bobok Beton.

- Pakai klem penjepit atau alat praktis lainnya untuk mengamankan serta menyangga workpiece pada tempat yang stabil. Memegang benda yang sedang dikerjakan dengan tangan atau berlawanan dengan tubuh anda akan membuat benda menjadi tidak stabil dan bisa kehilangan kendali.

- Aksesoris dan perangkat bisa memanas ketika sedang dioperasikan. Pakai sarung tangan selama penggunaan bor bila sedang melakukan pekerjaan yang menimbulkan panas, seperti pengeboran logam.
- Ventilasi udara dari mesin sering menutup bagian mesin yang bergerak sehingga harus dihindari. Baju yang longgar, perhiasan maupun rambut panjang bisa terjatuh pada bagian mesin.
- Pakaiacamata pelindung atau alat pelindung mata lainnya. Pengeboran dan penempaan bisa membuat serpihan gerinda bertebaran. Butiran tersebut bisa menyebabkan kerusakan permanen pada mata.
- Pakai alat pelindung telinga ketika sedang mengebor beton. Paparan terhadap bunyi bising bisa menyebabkan kehilangan pendengaran.
- Gunakanlah gagang tambahan, bila disediakan bersama perangkat. Kehilangan kendali mesin bisa menyebabkan cedera pada diri.
- Jangan menggunakan perangkat ini dalam waktu berkepanjangan. Getaran yang dihasilkan perangkat bisa jadi berbahaya untuk tangan dan lengan anda. Pakai sarung tangan untuk menyediakan bantalan ekstra serta batasi paparan terhadap getaran perangkat dengan rutin beristirahat.

## Instruksi keselamatan saat menggunakan mata bor panjang

- ◆ **Jangan pernah mengoperasikan alat pada kecepatan yang lebih tinggi dari tingkat kecepatan maksimal mata bor.** Pada kecepatan yang lebih tinggi, mata bor dapat membengkok bila alat berotasi dengan bebas tanpa berkontak dengan benda kerja, yang mengakibatkan cedera pada diri.
- ◆ **Selalu mulai mengebor pada kecepatan rendah dengan ujung mata bor yang berkontak langsung dengan benda kerja.** Pada kecepatan yang lebih tinggi, mata bor dapat membengkok bila alat berotasi dengan bebas tanpa berkontak dengan benda kerja, yang mengakibatkan cedera pada diri.
- ◆ **Berikan tekanan langsung hanya pada garis yang sejalan dengan mata bor dan jangan berikan tekanan berlebih.** Mata bor bisa membengkok dan dapat menyebabkan kerusakan atau kehilangan kendali mesin, mengakibatkan cedera pada diri.

## Keselamatan orang lain

- ◆ Peralatan ini tidak ditujukan untuk pengguna (termasuk anak-anak) yang menderita kekurangan kemampuan fisik, sensorik, atau mental, atau kurang pengalaman dan pengetahuan, kecuali mereka diawasi atau diarahkan dalam penggunaan peralatan ini oleh pihak-pihak yang bertanggung jawab atas keselamatan mereka.

- ◆ Anak-anak harus diawasi agar mereka tidak bermain-main dengan peralatan ini.

### Risiko-risiko lain

Risiko-risiko lain dapat timbul saat menggunakan alat, yang mungkin tidak tercantum dalam peringatan keselamatan yang disertakan. Risiko-risiko ini dapat diakibatkan oleh penyalahgunaan, penggunaan yang terlalu lama, dsb. Sekalipun peraturan keselamatan terkait sudah diterapkan dan peralatan pengaman sudah digunakan, risiko residual tertentu tidak dapat dihindari. Ini meliputi:

- ◆ Cedera yang diakibatkan karena menyentuh komponen apa pun yang berputar/bergerak.
- ◆ Cedera yang terjadi saat mengganti komponen, pemotong, atau aksesoris.
- ◆ Cedera yang diakibatkan karena penggunaan alat untuk waktu lama. Jika menggunakan alat apa pun untuk waktu yang lama, pastikan Anda mengistirahatkannya secara berkala.
- ◆ Kerusakan indra pendengaran.
- ◆ Bahaya kesehatan yang disebabkan oleh menghirup debu yang ditimbulkan oleh penggunaan alat (contoh: mengampelas kayu, khususnya kayu oak, beech, dan MDF.)

### Label pada alat

Pictogram berikut bersama dengan kode tangkalnya diperlihatkan pada mesin:



**Peringatan!** Untuk mengurangi risiko cedera, pengguna harus membaca panduan instruksi.



Jangan memandang lampu operasional alat

### Petunjuk keselamatan penting untuk seluruh baterai bawaan

Perangkat! Baca seluruh peringatan, petunjuk, dan rambu keselamatan yang tertera pada baterai, pengisi daya dan produk. Kegagalan dalam mematuhi peringatan serta petunjuk keselamatan bisa menyebabkan terjadinya sengatan listrik, kebakaran dan/atau cedera yang serius.

- ◆ Jangan pernah memasukkan paksa steker kabel pengisi daya ke dalam perangkat.
- ◆ JANGAN memodifikasi steker kabel pengisi daya dari alat pengisi daya yang memang tidak kompatibel dan pas dengan perangkat karena baterai mesin bisa rusak dan menyebabkan cedera yang serius pada diri.
- ◆ JANGAN memakai atau mengisi daya baterai di area yang eksplosif atau mudah meledak, contohnya bila ada cairan,

gas atau serbuk yang mudah terbakar. Memasang atau melepas steker kabel pengisi daya dari perangkat bisa membuat serbuk atau asap di sekitar jadi terbakar.

- ◆ Baterai hanya boleh diisi dayanya dengan charge lead yang telah disediakan dan catu daya listrik kelas 2 yang sesuai.
- ◆ JANGAN sampai terkena air atau terendam dalam air.
- ◆ JANGAN sampai air atau cairan apa saja masuk ke dalam perangkat.
- ◆ JANGAN memakai atau menyimpang perangkat di tempat dengan suhu yang mendekati atau melebihi 104°F (40°C) (contohnya bangunan metalik atau gudang di lingkungan luar pada musim panas). Untuk masa pemakaian terbaik simpanlah perangkat di tempat yang sejuk dan kering.
- ◆ Jangan menyimpan perangkat dengan posisi tombol yang terkunci. Jangan pernah memasang tombol mesin dalam posisi ON.
- ◆ Perangkat TIDAK BOLEH dibakar walaupun dalam keadaan rusak berat atau sudah aus total. Baterai perangkat bisa meledak bila terbakar. Asap dan bahan-bahan beracun bisa muncul saat baterai litium-ion terbakar.
- ◆ Bila kandungan baterai berkontak dengan kulit, area kulit yang terkena harus segera dicuci dengan air serta sabun berbahan ringan. Bila cairan baterai memasuki mata, mata harus dibilas dengan air bersih dalam keadaan terbuka selama 15 menit, atau sampai iritasi mata membaik. Bila diperlukan tata laksana medis, elektrolit dari baterai tersusun dari campuran bahan karbonat organik cair dan garam litium.
- ◆ Kandungan dari sel baterai yang terbuka bisa menyebabkan iritasi pada saluran napas. Bila mengalami iritasi harus diberikan udara segar. Cari tata laksana medis bila gejala tidak menghilang.
- ◆ Cairan baterai bisa terbakar bila terpapar dengan percikan api atau api.
- ◆ Jangan pernah mencoba dengan alasan apa pun untuk membongkar perangkat. Bila terdapat keretakan atau kerusakan pada case, jangan isi daya perangkat. Perangkat juga tidak boleh dijatuhkan, rusak, atau dihancurkan. Perangkat atau pengisi daya yang telah tertumbuk, terjatuh, tergilas atau rusak karena sebab apapun tidak boleh digunakan (contohnya perangkat tertusuk oleh paku, terbentur palu, atau terinjak). Perangkat yang telah rusak harus dibawa kembali ke pusat layanan perangkat untuk didaur ulang.

### Rekomendasi ruang penyimpanan

Tempat penyimpanan terbaik adalah tempat yang sejuk dan kering, jauh dari sinar matahari, serta suhu yang terlalu panas atau dingin. Simpan perangkat setelah daya penuh dan tidak tersambung dengan pengisi daya.

## Transportasi

**Catatan:** Perangkat dengan Li-ion bawaan tidak boleh dimasukkan dalam bagasi tercatat pada pesawat dan harus terjaga dengan benar agar tidak terjadi korsleting bila dimasukkan dalam bagasi kabin.

## Petunjuk keselamatan penting untuk seluruh pengisian daya baterai bawaan

Peringatan! Bacalah seluruh peringatan, petunjuk, dan rambu keselamatan yang tertera pada baterai, kabel pengisian daya serta produk ini. Kegagalan dalam mematuhi peringatan serta petunjuk keselamatan bisa menyebabkan terjadinya sengatan listrik, kebakaran dan/atau cedera yang serius.

- ◆ Kabel pengisian daya yang tersedia tidak diperuntukkan pemakaiannya untuk mengisi ulang daya selain perangkat isi ulang BLACK+DECKER dengan port micro charging. Pengisian ulang daya jenis perangkat lainnya bisa membuat baterai mengalami overheat dan meledak, menimbulkan cedera pada diri, kerugian harta benda, kebakaran, sengatan listrik atau kejutan listrik.
- ◆ JANGAN membuat kabel pengisian daya terpapar air, hujan maupun salju.
- ◆ Tarik stekernya bukan kabelnya saat mencabut kabel pengisian daya. Hal ini akan menurunkan risiko terjadinya kerusakan pada steker serta kabel.
- ◆ Pastikan lokasi kabel tidak terletak di tempat yang membuatnya terinjak, tersandung, mudah rusak atau tertekan.
- ◆ Ketika mengisi ulang perangkat di luar ruangan, selalu lakukan di tempat yang kering.
- ◆ JANGAN memakai kabel pengisian daya dengan steker maupun kabel yang rusak. Bagian yang rusak harus diganti secepatnya.
- ◆ Bahan asing yang konduktif, seperti ini namun tidak terbatas pada, debu gerinda, serpihan logam, serat baja, aluminium foil atau tumpukan partikel logam yang harus dijauhkan dari steker serta port pengisian daya dan micro charging.
- ◆ Selalu cabut kabel pengisian daya dari satu daya listrik bila tidak ada perangkat yang terpasang dengan kabel.

## Keselamatan kelistrikan



Pengisian daya Anda diisolasi secara ganda; karenanya tidak memerlukan kawat tanah. Selalupastikan bahwa tegangan daya sesuai dengantegangan pada pelat nilai arus. Jangan cobamengganti unit pengisian daya dengan konektordaya biasa.

- ◆ Kabel daya yang rusak harus diganti oleh produsen atau Pusat Layanan resmi BLACK+DECKER untuk menghindari bahaya.

**Peringatan!** Jangan pernah mencoba mengganti unit pengisian daya dengan steker listrik biasa.

## Fitur-fi tur

Alat ini dilengkapi beberapa atau semua fitur berikut ini:

1. Sakelar kecepatan variatif
2. Tombol geser bolak-balik
3. Collar pengatur torsi
4. Kepala bor tanpa kunci
5. Pengisian daya
- 5a. Port pengisian daya
- 5b. Indikator pengisian daya (tidak terlihat sampai kabelterpasang)
6. Persneling Dual Range
7. Lampu Kerja LED

## Mengisi daya baterai (Gam. A)

Daya baterai perlu diisi sebelum digunakan pertama kalinya dan kapanpun saat alat gagal menghasilkan daya yang cukup untuk pekerjaan yang dengan mudah dilakukan sebelumnya. Baterai bisa menjadi hangat saat pengisian daya; hal ini normal dan tidak menandakan adanya masalah.

**Peringatan!** Jangan mengisi daya baterai pada suhu ruangandi bawah 10°C atau diatas 40°C. Suhu pengisian daya yangdirekomendasikan: sekitar 24°C.

**Catatan:** Pengisian daya tidak akan mengisi daya baterai bila suhu sel di bawah kurang lebih 10°C atau di atas 40°C. Baterai harus ditinggalkan dalam pengisian daya dan pengisian daya akan mulai mengisi secara otomatis saat suhu sel mulai menghangat atau mendingin.

- ◆ Masukkan konektor pengisian daya (5) ke dalam port pengisian daya (5a).
- ◆ Colokkan konektor pengisian daya (5).
- ◆ Tinggalkan mesin yang terhubung dengan pengisian daya selama sekitar 4 jam.
- ◆ Indikator pengisian daya (5b) akan bersinar selama pengisian daya.

## Instruksi Pengoperasian Mesin

### Sakelar pemacu & tombol bolak-balik (gam. B, C)

- ◆ Bor DINYALAKAN dan DIMATIKAN dengan cara menarik dan melepaskan sakelar pemacu (1). Semakin dalam sakelar turun, semakin tinggi kecepatan bor yang dioperasikan.
- ◆ Tombol kendali bolak-balik (2) menentukan arah putaran mesin dan juga berperan sebagai tombol pengunci.
- ◆ Untuk memilih putaran ke depan, lepaskan sakelar pemacu dan tekan tombol kendali bolak-balik ke kiri.
- ◆ Untuk arah putaran ke belakang, tekan tombol kendali bolak-balik ke arah berlawanan.
- ◆ Untuk mengunci mesin, atur tombol geser bolak-balik ke

dalam posisi pusat.

**Catatan:** Jika posisi tombol kontrol berada ditengah, artinya alat dalam kondisi mati. Saat mengubah posisi tombol kontrol, pastikan pemacu dilepaskan.

### Kendali torsi (gam. D)

Mesin ini disesuaikan dengan pengatur torsi (3) untuk memilih mode operasional dan untuk mengatur torsi dalam pengencangan baut. Baut besar dan bahan alat kerja yang keras memerlukan pengaturan torsi yang lebih besar, bila dibandingkan dengan baut berukuran kecil dan bahan alatkerja yang lembut.

- ◆ Untuk pengeboran, pasang sesuai simbol posisi pengeboran. 1
- ◆ Untuk pemasangan baut, pasang pada pengaturan yang diinginkan. Bila anda masih tidak tahu pengaturan alat yang tepat, ikuti langkah berikut ini:
- ◆ Atur pengaturan pada torsi terendah.
- ◆ Kencangkan baut pertama.
- ◆ Bila clutch hanya bisa diputar satu arah sebelum memberikan hasil yang diinginkan, tingkatkan pengaturan dan terus kencangkan baut. Ulangi sampai anda mendapat pengaturan yang tepat. Gunakan pengaturan ini pada baut-baut yang tersisa.

### Kepala bor (gam. E)

**Peringatan!** Pastikan tombol pengunci dalam posisinya untuk mencegah aktivasi sakelar sebelum pemasangan atau pelepasan aksesoris.

Untuk menyisipkan mata bor atau aksesoris lainnya:

- ◆ Genggam setengah bagian belakang dari kepala bor (6) dengan satu tangan dan gunakan tangan lain anda untuk memutar setengah bagian depan (7) kepala bor dengan arah yang berlawanan jarum jam, seperti yang terlihat dari ujung kepala bor.
- ◆ Masukkan mata bor atau aksesoris lain sepenuhnya ke dalam kepala bor, kencangkan secara aman dengan memegang setengah bagian belakang dari kepala bor dan memutar bagian depannya searah jarum jam seperti yang terlihat dari ujung kepala bor.

**Peringatan!** Jangan mencoba mengencangkan mata bor (atau aksesoris lainnya) dengan mencengkeram bagian depan chuck dan menyalakan alat. Kerusakan pada kepala bor dan cedera pada tubuh bisa terjadi saat mengganti aksesoris.

### Persneling dual range (Gam. F)

Fitur dual range pada bor anda membuat bor bisa diganti roda giginya untuk fleksibilitas pemakaian yang semakin tinggi. Untuk memilih pengaturan torsi tinggi berkecepatan rendah (posisi 1), matikan perangkat dan biarkan alat berhenti dengan sendirinya. Geser tombol pengubah persneling (6) jauh dari kepala bor. Untuk memilih pengaturan torsi rendah

berkecepatan tinggi (posisi 2), matikan perangkat dan biarkan alat berhenti dengan sendirinya. Geser tombol pengubah persneling ke arah mata bor.

**Catatan:** Jangan mengganti roda gigi saat perangkat sedang bekerja. Bila terdapat masalah saat mengganti roda gigi, pastikan bahwa tombol persneling dual range sudah terdorong sepenuhnya ke depan atau ke belakang.

### Pengeboran/pemasangan baut (Gam. C)

- ◆ Pilih arah putaran maju atau mundur dengan menggunakan tombol geser bolak-balik (2).
- ◆ Untuk menyalakan mesin, tekan sakelar (1). Kecepatan mesin tergantung pada seberapa jauh anda menekan sakelar.
- ◆ Untuk mematikan mesin, lepaskan sakelar.

### Petunjuk untuk pemakaian optimal

#### Pengeboran

- ◆ Hanya gunakan mata bor yang tajam.
- ◆ Sangga dan amankan pekerjaan dengan baik, sesuai yang diarahkan dalam petunjuk keselamatan.
- ◆ Gunakan alat pelindung diri yang tepat dan yang dibutuhkan, sesuai yang diarahkan dalam petunjuk keselamatan.
- ◆ Lindungi dan jaga area kerja, sesuai yang diarahkan dalam petunjuk keselamatan.
- ◆ Nyalakan bor dengan sangat perlahan, hanya menggunakan tekanan yang ringan, sampai lubang mulai terbentuk cukup dalam agar mata bor tidak keluar.
- ◆ Beri tekanan dengan mata bor dengan garis lurus. Beri tekanan secukupnya untuk menjaga mata bor tetap bekerja namun tidak sampai memperlambat mesin atau memblokirkan mata bor.
- ◆ Tahan bor dengan kuat menggunakan kedua tangan untuk mengendalikan putaran bor.
- ◆ Angan klik trigger dari bor yang macetke dalam posisi off dan on sebagai usaha untuk menyalakan bor. Tindakan ini bisa menyebabkan kerusakan pada bor.
- ◆ Minimalisir kemacetan alat saat mengebor dengan mengurangi tekanan pada alat serta bor secara perlahan melewati bagian ujung lubang.
- ◆ Jaga mesin agar tetap bekerja selagi mata bor ditarik keluar dari lubang pengeboran. Diharapkan kemacetan alat bisa berkurang.
- ◆ Pastikan tombol perangkat bisa menyalakan dan mematikan bor.

#### Mengebor kayu

Lubang pada kayu bisa dihasilkan dengan memakai mata bor twist yang sama yang juga dipakai untuk mengebor logam, atau dengan mata bor spade. Mata bor ini harus tajam

dan ditarik secara teratur ketika sedang mengebor untuk membersihkan serpihan dari galur bor.

### Mengebor logam

Gunakan pelumas alat pemotong saat sedang mengebor logam. Pengecualian dari hal ini adalah besi cor dan kuningan yang harus dibor saat kering. Pelumas alat pemotong yang bekerja paling baik adalah minyak pemotong belerang atau minyak babi.

### Mengebor bebatuan

Untuk mengebor bebatuan, atur collar (3) pada posisi pengeboran bobok beton dengan menjajarkan simbol dengan tanda. Geser tombol pemilih kecepatan (6) ke bagian depan perangkat (roda gigi kedua).

### Screwdriving

- ◆ Selalu gunakan tipa dan ukuran mata obeng yang benar.
- ◆ Bila baut sulit dikencangkan, coba berikan sejumlah kecil cairan deterjen atau sabun sebagai pelumas.
- ◆ Selalu pegang mesin dan mata obeng dalam garis lurus dengan baut.

### Pemecahan Masalah

Masalah	Kemungkinan penyebab	Penyelesaian yang mungkin
Unit tidak maumenyala.	Baterai belum tersisidaya.	Periksa persyaratan pengisian daya baterai
Baterai tidak maumengisi daya.	Kabel pengisi dayatidak terpasang  Suhu udara lingkungan terlalu panas atauterlalu dingin.	Pasang kabel pengisi daya pada catu daya.  Letakkan pengisi daya diruang dengan suhu udaradi atas 40 derajat F (45°C)atau di bawah 105 derajatjaf (+40,5°C)
Unit mendadak mati.	Baterai sudah mencapai batas suhu maksimalnya.  Daya habis. (Untuk memaksimalkan masa pakaiannya, baterai dirancang untuk segera mati saat daya mulai habis.	Biarkan baterai mendingin  Letakkan pada pengisi daya dan biarkan mesin mengisi dayanya.

### Pemeliharaan

Mesin BLACK+DECKER anda sudah dirancang untuk bisa beroperasi dalam jangka waktu yang lama dengan perawatan minimal. Pengoperasian yang memuaskan secara terus menerus bergantung pada cara pemeliharaan yang benar dan pembersihan alat secara teratur.

Pengisi daya anda tidak memerlukan perawatan selain pembersihan alat secara rutin.

**Peringatan!** Sebelum melakukan pemeliharaan apapun pada alat.

- Bersihkan lubang ventilasi mesin dan pengisi daya anda secara rutin menggunakan sikat yang halus atau kain kering.
- Bersihkan komponen motor housing menggunakan kain lembab. Jangan menggunakan pembersih yang abrasif atau berbahan pelarut.
- Secara berkala, bersihkan tap holder untuk menghilangkan debu dari bagian interior mesin.

### Pemeliharaan

Peralatan/alat BLACK+DECKER berkabel/nirkabel dirancang untuk penggunaan jangka panjang dengan pemeliharaan minimal. Hasil penggunaan yang memuaskan, tergantung pada cara pemeliharaan yang benar dan pembersihan alat secara teratur.

Pengisi daya anda tidak memerlukan pemeliharaan selain pembersihan rutin.

**Peringatan!** Sebelum melakukan pembersihan pada alat atau pemeliharaan mesin, cabut kabel listrik pengisi daya.

- Bersihkan secara teratur celah ventilasi alat menggunakan sikat lembut atau kain kering.
- Bersihkan kerangka mesin secara teratur menggunakan kain yang lembab. Jangan gunakan bahan pembersih abrasif atau pembersih berbahan dasar larutan apa pun.

### Melindungi lingkungan



Pengumpulan terpisah. Produk dan baterai yang ditandai dengan simbol ini tidak boleh dibuang bersama dengan sampah rumah tangga biasa.

Produk dan baterai berisi bahan yang dapat digunakan kembali atau didaur ulang yang mengurangi permintaan kebutuhan bahan baku. Daur ulang produk listrik dan baterai sesuai dengan ketentuan setempat. Informasi selengkapnya tersedia di [www.2helpU.com](http://www.2helpU.com)

### Informasi Servis

BLACK+DECKER menawarkan jaringan lengkap lokasi servis resmi milik perusahaan di seluruh Asia. Semua Pusat Servis BLACK+DECKER memiliki staf terlatih agar dapat memberikan layanan produk yang efi sien dan andal kepada konsumen.

Bila Anda membutuhkan saran teknis, perbaikan, atau suku cadang pengganti asli pabrik, hubungi lokasi Black + Decker terdekat.

### CATATAN

- BLACK+DECKER memiliki kebijakan untuk terus meningkatkan produk dan karenanya, kami berhak mengubah spesifikasi produk tanpa pemberitahuan sebelumnya.

- Perlengkapan dan aksesori standar mungkin berbeda menurut negara.
- Spesifikasi produk mungkin berbeda menurut negara.
- Rangkaian produk lengkap mungkin tidak tersedia di semua negara. Untuk mengetahui ketersediaan produk, hubungi dealer BLACK+DECKER setempat Anda.

## REVHD12C

## สว่านเจาะกระแทก

ต่างๆ จะหมายถึงเครื่องมือไฟฟ้าที่ทำงานโดยใช้ไฟฟ้า (ใช้สาย) หรือทำงานโดยใช้แบตเตอรี่ (ไร้สาย)

1. ความปลอดภัยในบริเวณที่ทำงาน
  - a. รักษาความสะอาดและจัดให้มีแสงสว่างเพียงพอในบริเวณที่ทำงาน บริเวณที่มีดหรือมีของวางระเกะระกะอาจทำให้เกิดอุบัติเหตุได้
  - b. ห้ามใช้เครื่องมือไฟฟ้าในบริเวณที่อาจเกิดการระเบิด เช่น ในสถานที่ที่มีของเหลว แก๊ส หรือฝุ่นละอองที่มีคุณสมบัติไวไฟ เครื่องมือไฟฟ้าจะทำให้เกิดประกายไฟที่อาจทำให้เกิดละอองไฟหรือเปลวไฟขึ้นได้
  - c. ระวังไม่ให้เด็กและคนเดินผ่านไปมาเข้าใกล้ในขณะที่ใช้งานเครื่องมือไฟฟ้า สิ่งรบกวนอาจทำให้คุณเสียสมาธิได้

2. ความปลอดภัยทางไฟฟ้า
  - a. ปลั๊กไฟของเครื่องต้องเป็นชนิดเดียวกับเต้ารับ ห้ามตัดแปลงปลั๊กไม่ว่าด้วยวิธีใด ห้ามใช้ปลั๊กอะแดปเตอร์ใดๆ กับเครื่องมือไฟฟ้าที่ต่อสายดิน (ลงกราวด์) ปลั๊กที่ไม่มีการตัดแปลงและเต้ารับชนิดเดียวกันจะช่วยลดความเสี่ยงจากการเกิดไฟฟ้าช็อต
  - b. หลีกเลี่ยงการสัมผัสพื้นผิวที่ต่อสายดินหรือลงกราวด์ เช่น ท่อ หม้อน้ำ เตาหุงต้ม และตู้เย็น มีความเสี่ยงเพิ่มขึ้นที่จะเกิดไฟฟ้าช็อตหากร่างกายเป็นสื่อเชื่อมต่อลงดินหรือลงกราวด์
  - c. อย่าให้เครื่องมือไฟฟ้าถูกฝนหรืออยู่ในสภาพที่เปียกชื้น น้ำที่เข้าเครื่องมือไฟฟ้าจะเพิ่มความเสี่ยงในการเกิดไฟฟ้าช็อต
  - d. ห้ามใช้สายไฟผิดวัตถุประสงค์ ห้ามใช้สายไฟเพื่อการหิ้ว ดึง หรือถอดปลั๊กเครื่องมือไฟฟ้า เก็บสายไฟให้พ้นจากความร้อน น้ำมัน ของมีคม หรือ ชิ้นส่วนที่กำลังเคลื่อนที่ สายไฟที่ชำรุดหรือพันกันเป็นการเพิ่มความเสี่ยงจากการถูกไฟฟ้าช็อต
  - e. เมื่อใช้เครื่องมือไฟฟ้านอกอาคาร ให้ใช้สายต่อพ่วงที่เหมาะสมสำหรับการใช้งานนอกอาคาร ใช้สายไฟที่เหมาะสมสำหรับใช้นอกอาคารจะช่วยลดความเสี่ยงต่อการเกิดไฟฟ้าช็อต
  - f. หากไม่สามารถหลีกเลี่ยงการใช้เครื่องมือไฟฟ้าในบริเวณที่ชื้นและไฉ่ ให้ใช้อุปกรณ์ป้องกันไฟดูด (RCD) การใช้ RCD จะช่วยลดความเสี่ยงในการถูกไฟฟ้าช็อต

3. ความปลอดภัยส่วนบุคคล
  - a. ดินตัวและมีสมาธิกับสิ่งที่กำลังทำ รวมทั้งใช้สามัญสำนึกในขณะที่กำลังใช้งานเครื่องมือไฟฟ้า ห้ามใช้เครื่องมือไฟฟ้าในขณะที่กำลังเหนื่อยหรือได้รับอิทธิพลจากยา แอลกอฮอล์ หรือ การรับประทานอาหาร การขาดความระมัดระวังในการใช้เครื่องมือไฟฟ้าแม้ชั่วขณะหนึ่งอาจทำให้บาดเจ็บสาหัสได้

## ข้อมูลด้านเทคนิค

		REVHD12C
แรงดันไฟฟ้า	V <sub>dc</sub>	10.8V(12V Max)
ความเร็วเมื่อไม่มีภาระโหลด	min <sup>-1</sup>	0-350/0-1350RPM
แรงบิดสูงสุด	Nm	17.5/40
ขนาดของหัวจับดอกสว่าน	mm	1-10
ขนาดเจาะสูงสุด		
เหล็ก/ไม้/อิฐ	mm	10 / 25 / 10
น้ำหนัก	kg	1.0

แบตเตอรี่ในตัว		
ประเภทแบตเตอรี่		Li-Ion
ขนาดความจุของแบตเตอรี่		1.5

ที่ชาร์จ		S010QV1400040
แรงดันไฟฟ้าขาเข้า	V <sub>ac</sub>	100-240
แรงดันไฟฟ้าขาออก	V <sub>dc</sub>	14
กระแสไฟฟ้า	mA	400mA
เวลาชาร์จโดยประมาณ	h	4

## การใช้งาน

สว่านกระแทกรุ่น REVHD12C ของ BLACK+DECKER™ ของคุณได้รับการออกแบบมาสำหรับการขันน็อต ขันสกรู และเจาะไม้ เหล็ก และปูน เครื่องมือนี้มีวัตถุประสงค์เพื่อการใช้งานสำหรับผู้บริโภคเท่านั้น

## ข้อปฏิบัติเพื่อความปลอดภัย

คำเตือนเพื่อความปลอดภัยสำหรับเครื่องมือไฟฟ้าทั่วไป



**คำเตือน!** อ่านคำเตือน ข้อปฏิบัติเพื่อความปลอดภัยทั้งหมด รวมทั้งภาพประกอบและข้อมูลที่ให้มา กับเครื่องมือไฟฟ้านี้ การไม่ปฏิบัติตามคำแนะนำต่างๆ ที่ระบุไว้ที่ด้านล่างอาจส่งผลให้เกิดไฟฟ้าดูด ไฟไหม้ และ/หรือการบาดเจ็บสาหัสได้

จัดเก็บเอกสารคำเตือนและคำแนะนำทั้งหมดไว้เพื่อการอ้างอิงในภายหลัง คำว่า "เครื่องมือไฟฟ้า" ในคำเตือน

- b. ใช้อุปกรณ์คุ้มครองความปลอดภัยส่วนบุคคลสวมอุปกรณ์ป้องกันดวงตาเสมอ อุปกรณ์ป้องกันแขน หน้ากากกันฝุ่น รองเท้านิรภัยกันลื่น หมวกนิรภัยหรืออุปกรณ์ป้องกันเสียงดังที่ใช้ในสภาวะที่เหมาะสมจะช่วยลดอาการบาดเจ็บทางร่างกาย
- c. ป้องกันเครื่องเปิดทำงานโดยอัตโนมัติ สวิตช์ต้องอยู่ในตำแหน่งปิดก่อนที่จะเสียบปลั๊กเข้ากับแหล่งจ่ายไฟ และ/หรือ ชุดแบตเตอรี่ หรือก่อนจะยกหรือหัวเครื่องมือ การยกเครื่องมือไฟฟ้าในขณะที่นิ้วอยู่ที่สวิตช์ หรือใช้เครื่องมือไฟฟ้าที่สวิตช์เปิดอยู่ อาจทำให้เกิดอุบัติเหตุได้
- d. ถอดกุญแจปรับตั้งหรือประแจออกก่อนเปิดสวิตช์เครื่องมือไฟฟ้า ประแจหรือกุญแจที่เสียบค้างอยู่ในชิ้นส่วนที่หมุนได้ของเครื่องมือไฟฟ้าอาจทำให้ได้รับบาดเจ็บได้
- e. ห้ามยืนเขย่งเท้าขณะใช้เครื่อง ควรยืนในท่าที่เหมาะสมและสมดุลตลอดเวลา เพื่อช่วยในการควบคุมเครื่องมือไฟฟ้าได้ดียิ่งขึ้นในสถานการณ์ที่ไม่คาดคิด
- f. แต่งกายให้เหมาะสม ห้ามสวมเสื้อผ้าหลวมหรือใส่เครื่องประดับ ร่มผมและเสื้อผ้าให้ห่างจากชิ้นส่วนที่กำลังหมุน เสื้อผ้าที่หลวมหรือยาวรุ่มร่าม เครื่องประดับ หรือผมที่ยาวอาจเข้าไปพันกับชิ้นส่วนที่กำลังหมุน
- g. หากมีอุปกรณ์สำหรับดูดและเก็บฝุ่น ต้องตรวจให้แน่ใจว่าได้เชื่อมต่อและใช้งานอุปกรณ์นั้นอย่างเหมาะสม การใช้อุปกรณ์เก็บฝุ่นจะช่วยลดอันตรายที่เกี่ยวข้องกับฝุ่นได้
- h. อย่าให้ความเคยชินจากการใช้งานทำให้คุณประมาทและละเลยการปฏิบัติตามหลักการเพื่อความปลอดภัย การใช้งานโดยไม่ระวังอาจทำให้เกิดการบาดเจ็บสาหัสได้ภายในเวลาเพียงเสี้ยววินาที
4. การใช้งานและการดูแลรักษาเครื่องมือไฟฟ้า
- a. ห้ามฝืนใช้เครื่องมือไฟฟ้า เลือกใช้เครื่องมือไฟฟ้าที่ถูกต้องตรงกับลักษณะการใช้งานของคุณ เครื่องมือไฟฟ้าที่ถูกต้องย่อมทำงานได้ดีกว่าและปลอดภัยกว่า เมื่อใช้งานตามพิกัดที่เครื่องมือได้รับการออกแบบมา
- b. ห้ามใช้เครื่องมือไฟฟ้าถ้าสวิตช์เปิดปิดเครื่องไม่ทำงาน เครื่องมือไฟฟ้าที่ไม่สามารถควบคุมผ่านสวิตช์ได้ ถือว่ามีอันตรายและต้องส่งซ่อม
- c. ถอดปลั๊กของเครื่องมือไฟฟ้าออกจากแหล่งจ่ายไฟ และ/หรือหากถอดแบตเตอรี่ได้ ให้ถอดแบตเตอรี่ออกก่อนทำการปรับตั้ง เปลี่ยนอุปกรณ์เสริม หรือจัดเก็บเครื่องมือไฟฟ้า มาตรการเพื่อความปลอดภัยเชิงการป้องกันนี้จะช่วยลดความเสี่ยงในการผลอบเปิดเครื่องไฟฟ้าให้ทำงานโดยไม่ตั้งใจ
- d. เก็บเครื่องมือไฟฟ้าที่ไม่ได้ใช้งานไว้ให้พ้นมือเด็ก และไม่อนุญาตให้บุคคลที่ไม่คุ้นเคยกับเครื่องมือไฟฟ้าหรือคำแนะนำเหล่านี้เป็นผู้ใช้เครื่องมือ
- เครื่องมือไฟฟ้าจะเป็นอันตรายหากอยู่ในมือผู้ใช้ที่ไม่มี ความชำนาญ
- e. บางรุ่นอาจมีเครื่องมือไฟฟ้าและอุปกรณ์เสริมต่างๆ ตรวจพบว่าชิ้นส่วนที่เคลื่อนที่ได้มีการวางไม่ตรงแนวหรือติดขัดหรือไม่ มีชิ้นส่วนที่แตกหัก และสภาพอื่นใดที่อาจส่งผลกระทบต่อการทำงานของเครื่องมือไฟฟ้าหรือไม่ หากชำรุดเสียหาย ให้นำเครื่องมือไปส่งซ่อมก่อนนำมาใช้ อุบัติเหตุจำนวนมากเกิดจากการดูแลรักษาเครื่องมือไฟฟ้าไม่ดีพอ
- f. เครื่องมือตัดตัดต่อคมและสะอาดอยู่เสมอ เครื่องมือตัดที่ได้รับการดูแลรักษาอย่างถูกต้องและมีขอบตัดคม จะมีปัญหาติดขัดน้อย และควบคุมได้ง่ายกว่า
- g. ใช้เครื่องมือไฟฟ้า อุปกรณ์เสริม และดอกสว่านของเครื่องมือ เป็นต้น ให้ตรงตามข้อปฏิบัติเหล่านี้ โดยพิจารณาถึงสภาพการทำงานและงานที่ทำเป็นสำคัญ การใช้เครื่องมือไฟฟ้าทำงานอื่นนอกเหนือจากที่กำหนดไว้อาจทำให้เกิดอันตรายได้
- h. ต้องดูแลให้มือจับและพื้นผิวที่จับนั้นแห้ง สะอาด ปราศจากน้ำมันและจาระบี มือจับและผิวสัมผัสที่ลื่น อาจทำให้เกิดการใช้งานที่ไม่ปลอดภัยและทำให้ไม่สามารถควบคุมเครื่องมือในสถานการณ์คับขันได้อย่างถูกต้อง
5. การใช้และการดูแลรักษาแบตเตอรี่
- a. ชาร์จแบตเตอรี่ด้วยเครื่องชาร์จที่ผู้ผลิตแนะนำเท่านั้น เครื่องชาร์จที่เหมาะสมกับแบตเตอรี่แบบหนึ่ง อาจทำให้เกิดไฟไหม้ได้เมื่อนำมาใช้กับแบตเตอรี่อีกแบบหนึ่ง
- b. ใช้เครื่องมือไฟฟ้าเฉพาะกับก้อนแบตเตอรี่ที่ออกแบบมาเป็นพิเศษเท่านั้น การใช้แบตเตอรี่แบบอื่นอาจทำให้เกิดการบาดเจ็บหรือเกิดไฟไหม้ได้
- c. เมื่อไม่ได้ใช้ก้อนแบตเตอรี่ ให้เก็บออกห่างจากรัดถูอื่นๆ ที่เป็นโลหะ เช่น คลิปหนีบกระดาษ เสรยทุก กุญแจ เข็ม สกรูหรือวัตถุขนาดเล็กอื่นๆ ที่อาจจากโลหะที่อาจทำให้เกิดการเชื่อมต้อจากขั้วหนึ่งไปอีกขั้วหนึ่ง การลัดวงจรบริเวณขั้วแบตเตอรี่อาจทำให้เกิดรอยไหม้หรือไฟไหม้ได้
- d. เมื่ออยู่ภายใต้สภาวะที่ไม่เหมาะสม อาจมีของเหลวไหลออกมาจากแบตเตอรี่ ให้หลีกเลี่ยงการสัมผัสกับของเหลวนี้ หากป็นเบสิคสัมผัสโดยไม่ได้ตั้งใจ ให้ล้างออกด้วยน้ำปริมาณมาก หากของเหลวกระเด็นเข้าตา ควรรีบไปพบแพทย์ ของเหลวที่ออกมาจากแบตเตอรี่อาจทำให้เกิดอาการระคายเคืองหรือรอยไหม้ได้
- e. ห้ามใช้แบตเตอรี่หรือเครื่องมือที่มีการชำรุดเสียหายหรือได้รับการดัดแปลง แบตเตอรี่ที่ชำรุดเสียหายหรือได้รับการดัดแปลงอาจทำให้เกิดเหตุการณ์ที่ไม่คาดคิด เช่น ไฟไหม้ ระเบิด หรือความเสี่ยงอันก่อให้เกิดการบาดเจ็บได้
- f. อย่าให้แบตเตอรี่หรือเครื่องมือถูกไฟไหม้หรืออยู่ในที่ที่มีอุณหภูมิสูงเกินไป หากแบตเตอรี่ถูกไฟไหม้หรืออยู่ในที่ที่มีอุณหภูมิสูงเกิน 130°C อาจทำให้เกิด



การระเบิดได้

- g. ปฏิบัติตามคำแนะนำการชาร์จจุกชั้นตอนและ**ไม่** ชาร์จแบตเตอรี่หรือเครื่องมือในอุณหภูมิที่เกินจากที่กำหนดไว้ในคำแนะนำ การชาร์จที่ไม่ถูกต้องหรือในอุณหภูมิที่นอกเหนือจากที่กำหนดไว้อาจทำให้แบตเตอรี่เสียหายและเสี่ยงต่อการเกิดไฟไหม้ได้

## 6. การบริการ

- a. ให้ช่างซ่อมที่มีความเชี่ยวชาญเป็นผู้ซ่อมเครื่องมือไฟฟ้า และ**ใช้อะไหล่ของแท้เท่านั้น** ซึ่งจะช่วยให้มั่นใจได้ว่าเครื่องมือไฟฟ้ายังมีความปลอดภัยอยู่
- b. ห้ามซ่อมแบตเตอรี่ที่ชำรุด ควรให้ผู้ผลิตหรือผู้ให้บริการที่ผ่านการรับรองเป็นผู้ซ่อมแบตเตอรี่เท่านั้น

## คำแนะนำเพื่อความปลอดภัยสำหรับการทำงานทั้งหมด

- สวมอุปกรณ์ป้องกันหูเมื่อทำการเจาะกระแทก การได้ยินเสียงดังสามารถทำให้สูญเสียการได้ยินได้
- ถือเครื่องมือไฟฟ้าโดยการจับที่พื้นผิวกันฉนวนเมื่อใช้งานเครื่องมือโดยที่อุปกรณ์เสริมสำหรับการชาร์จอาจสัมผัสกับสายไฟที่มองไม่เห็นได้ อุปกรณ์เสริมที่สัมผัสกับสายไฟที่ “มีกระแสไฟฟ้า” อาจทำให้ชิ้นส่วนที่เป็นโลหะของเครื่องมือไฟฟ้า “มีกระแสไฟฟ้า” และทำให้ผู้ปฏิบัติงานถูกไฟฟ้าดูดได้

## คำเตือนเพื่อความปลอดภัยเพิ่มเติมสำหรับเครื่องมือไฟฟ้า



**คำเตือน!** คำเตือนเพื่อความปลอดภัยเพิ่มเติมสำหรับส่วน/ไขควง/ส่วนไขควงกระแทก

- ใช้ที่หนีบหรือวิธีการอื่นที่ใช้งานได้จริงในการยึดและรองรับชิ้นงานเข้ากับแท่นที่มีความเสถียร การถือชิ้นงานด้วยมือเพียงข้างเดียวหรือการถือชิ้นงานเข้าหาตัวคุณเองถือว่าไม่มีความเสถียรและอาจนำไปสู่การสูญเสียการควบคุมได้
- อุปกรณ์เสริมและเครื่องมืออาจจะร้อนขึ้นได้ระหว่างการใช้งาน สวมถุงมือเมื่อจัดการกับอุปกรณ์เสริมและเครื่องมือหากงานที่คุณทำก่อให้เกิดความร้อน เช่น การเจาะโลหะ เป็นต้น
- บ่อยครั้งที่ช่องระบายอากาศมักจะปิดบังชิ้นส่วนที่เคลื่อนไหวซึ่งเป็นสิ่งที่ฟังหลีกเสียง นอกจากนี้ เสื้อผ้าที่หลวม อัญมณี หรือผมที่ยาวอาจเข้าไปติดในชิ้นส่วนที่เคลื่อนไหวได้เช่นกัน
- สวมแว่นตาป้องกันหรืออุปกรณ์ป้องกันดวงตาอื่นๆ การกระแทกและการเจาะจะทำให้เศษต่าง ๆ ปลิววนได้ และอนุภาคที่ปลิวอาจทำให้ดวงตาเสียหายแบบถาวรได้
- สวมอุปกรณ์ป้องกันหูเมื่อทำการเจาะกระแทก การได้ยินเสียงดังสามารถทำให้สูญเสียการได้ยินได้
- ใช้ตามจับเสริมหากมีการจัดหามาให้พร้อมทั้งเครื่องมือ การสูญเสียการควบคุมอาจก่อให้เกิดการบาดเจ็บ

ส่วนบุคคลได้

- ห้ามใช้งานเครื่องมือนี้เป็นระยะเวลานาน การสั่นสะเทือนที่เกิดจากการทำงานของเครื่องมืออาจเป็นอันตรายต่อมือและแขนของคุณได้ ใช้ถุงมือเพื่อลดการกระแทกและจำกัดการสัมผัสโดยการพักการทำงานให้บ่อยครั้ง

## คำแนะนำเพื่อความปลอดภัยเมื่อใช้ดอกสว่านแบบยาว

- ห้ามทำงานที่ความเร็วสูงกว่าอัตราความเร็วสูงสุดของดอกสว่าน ที่ความเร็วสูงกว่า ดอกสว่านมีแนวโน้มที่จะบิดงอได้หากดอกสว่านหมุนอย่างเป็นอิสระโดยไม่สัมผัสกับชิ้นงาน และจะส่งผลให้เกิดการบาดเจ็บส่วนบุคคลได้
- เริ่มทำการเจาะที่ความเร็วต่ำโดยให้ปลายดอกสว่านสัมผัสกับชิ้นงานอยู่เสมอ ที่ความเร็วสูงกว่า ดอกสว่านมีแนวโน้มที่จะบิดงอได้หากดอกสว่านหมุนอย่างเป็นอิสระโดยไม่สัมผัสกับชิ้นงาน และจะส่งผลให้เกิดการบาดเจ็บส่วนบุคคลได้
- ใช้แรงกดเฉพาะในแนวตรงกับดอกสว่าน และห้ามใช้แรงกดที่มากเกินไป ดอกสว่านสามารถบิดงอได้ และก่อให้เกิดการแตกหักหรือการสูญเสียการควบคุมจนส่งผลให้เกิดการบาดเจ็บส่วนบุคคลได้

## ความปลอดภัยของบุคคลอื่น

- เครื่องมือนี้ไม่ได้มีเจตนาในการใช้งานโดยบุคคล (รวมถึงเด็ก) ซึ่งมีความบกพร่องทางกายภาพ ประสาทสัมผัส หรือสภาพจิตใจ หรือขาดประสบการณ์และความรู้หากบุคคลดังกล่าวไม่ได้รับการควบคุมดูแลหรือได้รับคำแนะนำเกี่ยวกับการใช้งานอุปกรณ์ โดยบุคคลที่รับผิดชอบในความปลอดภัยของบุคคลดังกล่าว
- เด็กควรได้รับการควบคุมดูแลเพื่อให้แน่ใจว่าจะไม่เล่นเครื่องมือนี้

## ความเสี่ยงอื่น ๆ ที่ยังมีอยู่

- ความเสี่ยงอื่น ๆ ที่ไม่ได้ระบุในคำเตือนเพื่อความปลอดภัยนี้ อาจเกิดขึ้นได้เมื่อใช้เครื่องมือ ความเสี่ยงเหล่านี้อาจเกิดขึ้นจากการใช้งานอย่างไม่ถูกต้อง การใช้งานเป็นเวลานาน เป็นต้น
- แม้ว่าจะปฏิบัติตามข้อกำหนดด้านความปลอดภัยที่เกี่ยวข้องและใช้อุปกรณ์เบรคแล้ว แต่ก็ไม่สามารถหลีกเลี่ยงความเสี่ยงอื่น ๆ ที่ยังมีอยู่บางอย่างได้
- การบาดเจ็บที่เกิดจากการสัมผัสชิ้นส่วนที่หมุนหรือเคลื่อนที่
  - การบาดเจ็บที่เกิดขึ้นขณะเปลี่ยนชิ้นส่วน ใบมีด หรืออุปกรณ์เสริมต่าง ๆ
  - การบาดเจ็บที่เกิดจากการใช้เครื่องมือเป็นเวลานาน เมื่อใช้เครื่องมือเป็นระยะเวลานาน ต้องแน่ใจว่าคุณได้หยุดพักเป็นระยะ
  - ความบกพร่องในการได้ยินเสียง

## ภาษาไทย

- ♦ อันตรายต่อสุขภาพที่เกิดจากการสูดดมฝุ่นจากการใช้เครื่องมือ (ตัวอย่างเช่น การทำงานกับไม้ โดยเฉพาะไม้ไผ่ ไม้บีช และไม้ MDF)

### สัญลักษณ์บนเครื่องมือ

พิกโตแกรมดังต่อไปนี้จะได้รับการแสดงบนเครื่องมือพร้อมด้วยรหัสวันที่:



**คำเตือน!** เพื่อลดความเสี่ยงต่อการบาดเจ็บ ผู้ใช้ต้องอ่านคู่มือการใช้งานเล่มนี้ ก่อนใช้เครื่องมือ



ห้ามจ้องไปที่หลอดไฟที่กำลังทำงานอยู่

### คำแนะนำเพื่อความปลอดภัยสำหรับเครื่องมือที่มีแบตเตอรี่ในตัว

คำเตือน! อ่านคำเตือนเพื่อความปลอดภัยทั้งหมดรวมถึงคำแนะนำและข้อควรระวังต่างๆ สำหรับแบตเตอรี่ ที่ชาร์จ และผลิตภัณฑ์ การไม่ปฏิบัติตามคำเตือนและคำแนะนำต่างๆ อาจทำให้เกิดไฟฟ้าดูด ไฟไหม้ และ/หรือการบาดเจ็บสาหัสได้

- ♦ ห้ามใช้แรงที่มากเกินไปในการเสียบปลั๊กที่ชาร์จเข้าไปในเครื่องมือ
- ♦ ห้ามดัดแปลงปลั๊กที่ชาร์จของที่ชาร์จที่ไม่เข้ากันไม่ว่าจะด้วยวิธีการใดก็ตาม เพื่อให้สามารถเสียบปลั๊กที่ชาร์จเข้าไปในเครื่องมือเนื่องจากแบตเตอรี่อาจแตกหักและก่อให้เกิดการบาดเจ็บส่วนบุคคลสาหัสได้
- ♦ ห้ามชาร์จหรือใช้แบตเตอรี่ในสภาพแวดล้อมที่อาจเกิดการระเบิดขึ้นได้ เช่น ในที่ซึ่งมีของเหลว ก๊าซ หรือฝุ่นละอองไวไฟ การเสียบหรือการถอดปลั๊กที่ชาร์จจากเครื่องมืออาจทำให้ฝุ่นละอองหรือควันติดไฟได้
- ♦ ชาร์จแบตเตอรี่โดยใช้สายชาร์จที่จัดหาให้เท่านั้น และใช้แหล่งจ่ายไฟประเภท 2 ที่เหมาะสม
- ♦ ห้ามสูดน้ำใส่เครื่องมือหรือจุ่มเครื่องมือลงในน้ำ
- ♦ ห้ามปล่อยให้ น้ำหรือของเหลวเข้าไปในเครื่องมือ
- ♦ ห้ามจัดเก็บหรือใช้งานเครื่องมือในสถานที่ซึ่งอุณหภูมิอาจสูงถึงหรือสูงเกิน 104 °F (40 °C) (เช่น เฝิงदान นอกหรืออาคารที่เป็นโลหะในฤดูร้อน) เพื่ออายุการใช้งานที่ดีที่สุด คุณควรจัดเก็บเครื่องมือไว้ในที่ซึ่งแห้งและเย็น
- ♦ ห้ามจัดเก็บเครื่องมือโดยที่ยังเปิดสวิตช์อยู่ ห้ามติดกระดาษกาวสวิตช์ให้อยู่ในตำแหน่งเปิดโดยเด็ดขาด
- ♦ ห้ามเผาเครื่องมือแม้ว่าเครื่องมือจะได้รับความเสียหายอย่างรุนแรงหรือสึกหรองจนไม่สามารถใช้งานได้

เนื่องจากแบตเตอรี่อาจระเบิดในกองไฟในขณะที่เมื่อแบตเตอรี่เชื่อมไอออนถูกเผาจะทำให้เกิดควันพิษและวัตถุที่มีพิษ

- ♦ หากสิ่งที่อยู่ด้านในของแบตเตอรี่รั่วไหลออกมาสัมผัสกับผิวหนัง คุณจะต้องรีบล้างบริเวณดังกล่าวด้วยน้ำและสบู่อ่อนๆทันที หากของเหลวในแบตเตอรี่เข้าไปในดวงตา คุณจะต้องล้มตาและล้างตาด้วยน้ำเป็นเวลา 15 นาทีหรือจนกระทั่งคุณไม่รู้สึกระคายเคืองตา คุณอาจต้องไปพบแพทย์เนื่องจากอิเล็กทรอนิกส์ของแบตเตอรี่ประกอบไปด้วยส่วนผสมของคาร์บอนอินทรีย์ที่เป็นของเหลวกับเกลือของลิเทียม
- ♦ สิ่งที่อยู่ในเซลล์ของแบตเตอรี่ที่เปิดอยู่อาจก่อให้เกิดการระคายเคืองต่อระบบทางเดินหายใจได้ คุณจะต้องอยู่ในที่ซึ่งอากาศสดชื่น หากอาการยังคงอยู่ คุณจะต้องรีบไปพบแพทย์
- ♦ ของเหลวในแบตเตอรี่อาจไวไฟได้หากสัมผัสเข้ากับประกายไฟหรือเปลวไฟ
- ♦ ห้ามพยายามเปิดเครื่องมือโดยเด็ดขาดไม่ว่าจะด้วยสาเหตุใดก็ตาม หากเศษของเครื่องมือแตกหรือเสียหาย คุณจะต้องไม่ชาร์จเครื่องมือ ห้ามกด ทำหล่น หรือทำให้เครื่องมือเสียหาย ห้ามใช้เครื่องมือหรือที่ชาร์จซึ่งถูกกระแทกอย่างรุนแรง ถูกทำหล่นหรือชำรุดเสียหายไม่ว่าจะในลักษณะใดก็ตาม (เช่น ถูกเจาะด้วยตะปู ถูกทุบด้วยค้อน ถูกเหยียบ) คุณจะต้องส่งคืนเครื่องมือที่ชำรุดเสียหายไปที่ศูนย์บริการสำหรับการรีไซเคิล

### คำแนะนำสำหรับการจัดเก็บ

สถานที่จัดเก็บที่ดีที่สุดคือสถานที่ซึ่งเย็นและแห้ง uly โกลจากแสงแดดโดยตรง รวมถึงความร้อนหรือความเย็นที่มากเกินไป จัดเก็บเครื่องมือที่ชาร์จเต็มแล้วและถอดออกจากที่ชาร์จแล้ว

### การขนย้าย

หมายเหตุ: คุณจะต้องไม่ใส่เครื่องมือที่มีแบตเตอรี่ลิเทียมไอออนในตัวไว้ในกระเป๋าทันทีโหลดใต้เครื่องบินในขณะที่เครื่องมือดังกล่าวจะต้องได้รับการป้องกันการลัดวงจรอย่างเหมาะสมหากใส่ไว้ในกระเป๋าสัมภาระติดตัว

### คำแนะนำเพื่อความปลอดภัยสำหรับการชาร์จแบตเตอรี่แบบในตัว

คำเตือน! อ่านคำเตือนเพื่อความปลอดภัยทั้งหมดรวมถึงคำแนะนำและข้อควรระวังต่างๆ สำหรับแบตเตอรี่ สายชาร์จ และผลิตภัณฑ์ การไม่ปฏิบัติตามคำเตือนและคำแนะนำต่างๆ อาจทำให้เกิดไฟฟ้าดูด ไฟไหม้ และ/หรือการบาดเจ็บสาหัสได้

- ♦ สายชาร์จที่จัดหาให้ไม่ได้มีไว้สำหรับการใช้งานอื่นๆ นอกเหนือจากการชาร์จเครื่องมือที่สามารถชาร์จ

เข้าได้ของ BLACK+DECKER ซึ่งมีพอร์ดสำหรับชาร์จขนาดเล็ก การชาร์จเครื่องมือประเภทอื่นๆ อาจทำให้แบตเตอรี่ร้อนจัดและระเบิดจนทำให้เกิดการบาดเจ็บส่วนบุคคล ความเสียหายต่อทรัพย์สิน ไฟไหม้ ไฟฟ้าดูด หรือไฟฟ้าช็อต

- ◆ ห้ามให้สายชาร์จโดนน้ำ ผ่น หรือหิมะ
- ◆ ดึงตรงปลั๊กมากกว่าที่จะดึงตรงสายเมื่อดึงสายชาร์จออก การทำเช่นนี้จะลดความเสี่ยงในการทำให้ปลั๊กและสายเสียหาย
- ◆ ตรวจสอบให้แน่ใจว่า คุณได้เก็บสายอย่างเหมาะสม เพื่อให้คุณจะได้ไม่เหยียบบนสาย สะดุดล้ม หรือทำให้สายเสียหายหรือเกิดความเค้น
- ◆ เมื่อชาร์จเครื่องมือในที่กลางแจ้ง คุณจะต้องชาร์จในสถานที่ซึ่งแห้งอยู่เสมอ
- ◆ ห้ามใช้สายชาร์จกับสายหรือปลั๊กที่ชำรุดเสียหาย คุณจะต้องเปลี่ยนสายหรือปลั๊กที่ชำรุดเสียหายดังกล่าวทันที
- ◆ วัตถุแปลกปลอมที่สามารถนำไฟฟ้าได้โดยธรรมชาติ ซึ่งรวมถึงแต่ไม่จำกัดเพียงฝุ่นที่เกิดจากการบด เศษโลหะ ใยเหล็ก อลูมิเนียมฟอยล์ หรือการสะสมอนุภาคโลหะจะต้องถูกเก็บให้อยู่ไกลจากการชาร์จรวมถึงปลั๊กและพอร์ดขนาดเล็กสำหรับการชาร์จ
- ◆ ถอดปลั๊กสายชาร์จออกจากแหล่งจ่ายไฟอยู่เสมอเมื่อไม่ได้วางเครื่องมือไว้บนที่ชาร์จ

## ความปลอดภัยทางไฟฟ้า



ที่ชาร์จของคุณห้ามจมนวนสองชั้น ดังนั้น จึงไม่จำเป็นต้องมีการเดินสายดิน ต้องตรวจกำลังไฟเพื่อให้ตรงกับแรงดันไฟฟ้าบนแผ่นแสดงพิกัดเสมอ ห้ามเปลี่ยนสายปลั๊กไฟของเครื่องชาร์จเป็นสายปลั๊กไฟธรรมดาโดยเด็ดขาด

- ◆ ถ้าสายไฟของตัวเครื่องชำรุดเสียหาย ต้องได้รับการเปลี่ยนโดยผู้ผลิตหรือศูนย์บริการของ BLACK+DECKER ที่ได้รับอนุญาต เพื่อหลีกเลี่ยงอันตรายที่อาจเกิดขึ้นได้

**คำเตือน!** ห้ามพยายามเปลี่ยนที่ชาร์จด้วยปลั๊กไฟทั่วไป

## คุณสมบัติ

เครื่องมือนี้มีคุณสมบัติบางส่วนหรือทั้งหมดต่อไปนี้

1. สวิตซ์ความเร็วรอบ
2. ตัวเลื่อนการเดินหน้า/การถอยหลัง
3. ปุ่มกดปรับแรงบิด
4. หัวจับดอกสว่านแบบมือบิด
5. เครื่องชาร์จ
- 5a. พอร์ดชาร์จ
- 5b. ไฟแสดงสถานะการชาร์จ (มองไม่เห็นจนกว่าจะมีการเปลี่ยนปลั๊ก)
6. เกียร์ฟิสิกส์
7. ไฟทำงาน LED

## การชาร์จแบตเตอรี่ (รูป A)

แบตเตอรี่จะต้องได้รับการชาร์จก่อนที่จะใช้งานเป็นครั้งแรก และเมื่อใดก็ตามที่แบตเตอรี่ให้พลังงานไม่พอสำหรับงานที่เคยทำได้ง่าย มาก่อน แบตเตอรี่อาจร้อนขึ้นระหว่างที่ทำการชาร์จ เรื่องดังกล่าวถือว่าเป็นปกติและไม่ได้เป็นปัญหาแต่อย่างใด

**คำเตือน!** ห้ามชาร์จแบตเตอรี่ที่อุณหภูมิโดยรอบต่ำกว่า 10°C หรือสูงกว่า 40°C อุณหภูมิการชาร์จที่แนะนำ: ประมาณ 24°C

**หมายเหตุ:** ที่ชาร์จจะไม่ชาร์จแบตเตอรี่หากอุณหภูมิของแบตเตอรี่ต่ำกว่า 10°C หรือสูงกว่า 40°C โดยประมาณ คุณควรวางแบตเตอรี่ทิ้งไว้ในที่ชาร์จ และที่ชาร์จจะเริ่มทำการชาร์จโดยอัตโนมัติเมื่ออุณหภูมิของแบตเตอรี่สูงขึ้นหรือลดลง

- ◆ ใส่อุปกรณ์เชื่อมต่อการชาร์จ (4) เข้าไปในพอร์ดสำหรับชาร์จ (5)
- ◆ เสียบอุปกรณ์เชื่อมต่อการชาร์จ (4)
- ◆ เชื่อมต่อเครื่องมือเข้ากับที่ชาร์จประมาณ 4 ชั่วโมง
- ◆ ไฟแสดงสถานะการชาร์จจะสว่างระหว่างการชาร์จ

## คู่มือการใช้งาน

### สวิตซ์สั่งงานและปุ่มถอยหลัง (รูป B, C)

- ◆ ส่วนจะถูกเปิดและปิดโดยการดึงและการปล่อยสวิตซ์สั่งงาน (1) ยิ่งคุณกดสวิตซ์สั่งงานมากเท่าใด ความเร็วในการทำงานของดอกสว่านก็จะยิ่งสูงขึ้น
  - ◆ ปุ่มควบคุมการเดินหน้า/การถอยหลัง (2) จะกำหนดทิศทางของเครื่องมือ รวมถึงทำหน้าที่เป็นปุ่มล็อคเช่นกัน
  - ◆ หากต้องการเลือกการหมุนไปข้างหน้า คุณจะต้องปล่อยสวิตซ์สั่งงาน และกดปุ่มควบคุมการเดินหน้า/การถอยหลังไปทางซ้าย
  - ◆ หากต้องการเลือกการหมุนไปข้างหลัง คุณจะต้องกดปุ่มควบคุมการเดินหน้า/การถอยหลังไปยังทิศทางตรงกันข้าม
  - ◆ หากต้องการล็อคเครื่องมือ คุณจะต้องตั้งค่า ตัวเลื่อนการเดินหน้า/การถอยหลังให้อยู่ในตำแหน่งตรงกลาง
- หมายเหตุ:** ตำแหน่งตรงกลางของปุ่มควบคุมจะล็อคเครื่องมือให้อยู่ในตำแหน่งปิดเครื่องมือเมื่อทำการเปลี่ยนตำแหน่งของปุ่มควบคุม คุณจะต้องตรวจสอบให้แน่ใจว่า คุณได้ปล่อยสวิตซ์สั่งงานแล้ว

### การควบคุมแรงบิด (รูป D)

เครื่องมือนี้ได้รับการติดตั้งมาพร้อมกับปุ่มกดปรับแรงบิด (3) ซึ่งใช้ในการเลือกโหมดการทำงาน และเพื่อตั้งค่าแรงบิดสำหรับการขันสกรู สกรูขนาดใหญ่และวัสดุชิ้นงานที่มีลักษณะแข็งจะใช้การตั้งค่าแรงบิดที่สูงกว่าสกรูขนาดเล็ก

และวัสดุชิ้นงานที่มีลักษณะนุ่ม

- ◆ สำหรับการเจาะนั้น คุณจะต้องตั้งค่าปลอกให้อยู่ตรงสัญลักษณ์ตำแหน่งการเจาะ 1
- ◆ สำหรับการไขควงนั้น คุณจะต้องตั้งค่าปลอกให้อยู่ตรงการตั้งค่าที่ต้องการ หากคุณไม่ทราบการตั้งค่าที่เหมาะสม คุณสามารถดำเนินการดังต่อไปนี้ได้
- ◆ ตั้งค่าปลอกให้เป็นการตั้งค่าแรงบิดต่ำสุด
- ◆ ขึ้นสกรูตัวแรก
- ◆ หากคลัตช์หมุนก่อนที่จะได้ผลลัพธ์ที่ต้องการ คุณจะต้องการตั้งค่าปลอก และขึ้นสกรูต่อ ทำซ้ำเช่นนี้จนคุณได้การตั้งค่าที่ถูกต้อง ใช้การตั้งค่าดังกล่าวสำหรับสกรูที่เหลือ

## หัวจับดอกสว่านแบบมือบิด (รูป E)

**คำเตือน!** ตรวจสอบให้แน่ใจว่า คุณได้กดปุ่มล็อคเพื่อป้องกันการใช้งานสวิตช์ก่อนที่จะติดตั้งหรือถอดอุปกรณ์เสริม

คุณจะต้องปฏิบัติตามขั้นตอนดังต่อไปนี้ในการใส่ดอกสว่านหรืออุปกรณ์เสริมอื่น

- จับครึ่งหลังของหัวจับดอกสว่าน (8) โดยใช้มือข้างใดข้างหนึ่ง และใช้มืออีกข้างของคุณหมุนครึ่งหน้า (9) ในทิศทางทวนเข็มนาฬิกาตามที่มองเห็นจากปลายของหัวจับดอกสว่าน
- ใส่ดอกสว่านหรืออุปกรณ์เสริมอื่นเข้าไปในหัวจับดอกสว่านให้สุด และขันให้แน่นโดยการจับครึ่งหลังของหัวจับดอกสว่าน และหมุนส่วนหน้าในทิศทางตามเข็มนาฬิกาตามที่มองเห็นจากปลายของหัวจับดอกสว่าน

**คำเตือน!** ห้ามพยายามขันดอกสว่าน (หรืออุปกรณ์เสริมอื่นใด) โดยการยึดด้านหน้าของหัวจับดอกสว่านและเปิดเครื่องมือเนื่องจากอาจทำให้เกิดความเสียหายกับหัวจับดอกสว่านและการบาดเจ็บส่วนบุคคลขึ้นได้

ความเสียหายที่มีต่อหัวจับดอกสว่านและการบาดเจ็บส่วนบุคคลอาจเกิดขึ้นเมื่อทำการเปลี่ยนอุปกรณ์เสริม

## เกียร์ฟิสส์คู้ (รูป F)

คุณลักษณะฟิสส์คู้ของสว่านจะช่วยให้คุณสามารถเปลี่ยนเกียร์เพื่อการทำงานที่หลากหลายมากขึ้นได้ หากต้องการเลือกความเร็วต่ำและการตั้งค่าแรงบิดสูง (ตำแหน่งที่ 1) คุณจะต้องปิดเครื่องมือ และปล่อยให้เครื่องมือหยุดทำงาน จากนั้นจึงเลื่อนปุ่มเปลี่ยนเกียร์ (6) ให้อยู่ไกลออกไปจากหัวจับดอกสว่าน หากต้องการเลือกความเร็วสูงและการตั้งค่าแรงบิดต่ำ (ตำแหน่งที่ 2) คุณจะต้องปิดเครื่องมือ และปล่อยให้เครื่องมือหยุดทำงาน จากนั้นจึงเลื่อนปุ่มเปลี่ยนเกียร์ให้เข้าไปหาหัวจับดอกสว่าน

**หมายเหตุ:** ห้ามเปลี่ยนเกียร์ในขณะที่เครื่องมือกำลังทำงานอยู่ หากคุณมีปัญหาในการเปลี่ยนเกียร์ คุณจะต้อง

ตรวจสอบให้แน่ใจว่า ปุ่มเกียร์ฟิสส์คู้ถูกดันไปข้างหน้าจนสุดหรือถูกดันไปข้างหลังจนสุดหรือไม่

## การเจาะ/การไขควง (รูป C)

- ◆ เลือกทิศทางการเดินหน้าหรือการถอยหลังโดยใช้ตัวเลื่อนการเดินหน้า/การถอยหลัง (2)
- ◆ กดสวิตช์ (1) เพื่อเปิดเครื่องมือ
- ◆ ความเร็วของเครื่องมือจะขึ้นอยู่กับการกดสวิตช์ของคุณ
- ◆ ปล่อยสวิตช์เพื่อปิดเครื่องมือ

## คำแนะนำเพื่อการใช้งานที่ดีที่สุด

### การเจาะ

- ◆ ใช้ดอกสว่านที่คมเท่านั้น
- ◆ ให้นำหนักและยึดชิ้นงานอย่างเหมาะสมตามคำแนะนำที่ระบุไว้ในคำแนะนำเพื่อความปลอดภัย
- ◆ ใช้อุปกรณ์รั้งยึดที่เหมาะสมตามที่กำหนดตามคำแนะนำที่ระบุไว้ในคำแนะนำเพื่อความปลอดภัย
- ◆ ดูแลพื้นที่ปฏิบัติงานให้ปลอดภัยอยู่เสมอตามคำแนะนำที่ระบุไว้ในคำแนะนำเพื่อความปลอดภัย
- ◆ ค่อยๆ เจาะโดยใช้แรงกดเบาๆ จนกระทั่งรูเริ่มมีขนาดใหญ่พอสำหรับการทำให้ออกสว่านไม่ลื่นหลุด
- ◆ ใช้แรงกดในแนวตรงกับดอกสว่านอยู่เสมอ ใช้แรงกดที่มากพอเพื่อให้ออกสว่านทำการเจาะ แต่ห้ามกดแรงเกินไปเนื่องจากอาจทำให้มอเตอร์หยุดทำงานกลางคันหรือทำให้ออกสว่านบิดเบี้ยวได้
- ◆ ถึงสว่านให้แน่นโดยใช้มือทั้งสองข้างเพื่อควบคุมการบิดของสว่าน
- ◆ ห้ามปิดเปิดสวิตช์สั่งงานของสว่านที่หยุดกลางคันเพื่อพยายามเริ่มต้นสว่านเนื่องจากการทำงานเช่นนี้อาจทำให้สว่านเสียหายได้
- ◆ ลดการหยุดกลางคันของการเจาะโดยการลดแรงกดและค่อยๆ เจาะผ่านส่วนสุดท้ายของรู
- ◆ ปล่อยให้มอเตอร์ยังคงทำงานเมื่อดึงดอกสว่านออกจากรูที่เจาะ การทำเช่นนี้จะช่วยป้องกันไม่ให้เกิดการติดได้
- ◆ ตรวจสอบให้แน่ใจว่าคุณได้เปิดและปิดสว่าน

### การเจาะไม้

คุณสามารถเจาะรูในไม้ได้โดยใช้ให้คุณใช้ดอกสว่านแบบเกลียวที่ใช้สำหรับโลหะ หรือใช้ดอกสว่านสำหรับการเจาะดอกสว่านดังกล่าวจะต้องคม และจะต้องถูกดึงออกบ่อยๆ เมื่อทำการเจาะเพื่อนำเศษต่างๆ ออกจากรู

### การเจาะโลหะ

ใช้น้ำมันหล่อลื่นสำหรับการตัดเมื่อทำการเจาะโลหะยกเว้นการเจาะเหล็กกล้าและทองเหลืองซึ่งคุณสามารถเจาะแบบแห้งได้ น้ำมันหล่อลื่นสำหรับการตัดที่มีประสิทธิภาพมากที่สุดคือน้ำมันสำหรับการตัดที่มีกำมะถันหรือน้ำมันหมู

## การเจาะลิ้น

สำหรับการเจาะลิ้นนั้น คุณจะต้องตั้งคาล็อก (3) ให้อยู่ในตำแหน่งของการเจาะด้วยค้อน โดยการจัดสลับลักษณะให้อยู่ตรงกับเครื่องหมาย และเลื่อนอุปกรณ์เลือกความเร็ว (6) ไปที่ตำแหน่งของเครื่องมือ (เกี่ยวกับที่ 2)

## การขันสกรู

- ใช้ประเภทและขนาดที่ถูกต้องของดอกไขควงอยู่เสมอ
- หากขันสกรูได้ยาก คุณสามารถลองใช้น้ำยาซักผ้าหรือสเปรย์ในปริมาณเล็กน้อยเป็นสารหล่อลื่นได้
- ถือเครื่องมือและดอกไขควงให้อยู่ในแนวตรงกับสกรูอยู่เสมอ

## การแก้ไขปัญหา

ปัญหา	สาเหตุที่เป็นไปได้	วิธีแก้ไขที่เป็นไปได้
อุปกรณ์จะไม่เริ่มต้น	ไม่ได้ชาร์จแบตเตอรี่	ตรวจสอบข้อกำหนดการชาร์จแบตเตอรี่
แบตเตอรี่จะไม่ชาร์จ	ไม่ได้เสียบปลั๊กที่ชาร์จ	เสียบปลั๊กที่ชาร์จเข้าไปในเต้ารับที่ใช้งาน
	อุณหภูมิอากาศโดยรอบร้อนเกินไปหรือเย็นเกินไป	ย้ายที่ชาร์จไปยังอุณหภูมิอากาศโดยรอบที่สูงกว่า 40 องศาฟาเรนไฮต์ (45°C) หรือต่ำกว่า 105 องศาฟาเรนไฮต์ (+40.5°C)
อุปกรณ์ปิดกะทันหัน	แบตเตอรี่ขึ้นถึงขีดจำกัดความร้อนสูงสุด  แบตเตอรี่หมด (เพื่อยืดอายุการใช้งานของแบตเตอรี่ แบตเตอรี่จึงได้รับการออกแบบมาให้ปิดทันทีเมื่อแบตเตอรี่หมด)	ปล่อยให้แบตเตอรี่เย็นตัวลง  วางลงบนที่ชาร์จ และปล่อยให้แบตเตอรี่ชาร์จ

## อุปกรณ์เสริม

ประสิทธิภาพของเครื่องมือของคุณขึ้นอยู่กับอุปกรณ์เสริมที่คุณใช้

อุปกรณ์เสริมของ BLACK+DECKER ได้รับการสร้างให้มีความทนทาน คุณภาพสูงรวมถึงได้รับการออกแบบมาเพื่อเพิ่มประสิทธิภาพของเครื่องมือของคุณ การใช้อุปกรณ์เสริมดังกล่าวจะทำให้คุณได้รับสิ่งที่ดีที่สุดจากเครื่องมือของคุณ

เครื่องมือนี้เหมาะสมสำหรับใบเลื่อยซึ่งเป็นก้านตัว U และก้านตัว T

**คำเตือน!** ก่อนที่จะทำการบำรุงรักษาใดก็ตามกับเครื่องมือ คุณจะต้องถอดแบตเตอรี่ออกจากเครื่องมือก่อน และ

ถอดปลั๊กที่ชาร์จออกก่อนที่จะทำความสะอาดที่ชาร์จ

- ◆ หมั่นทำความสะอาดช่องระบายอากาศในเครื่องมือและที่ชาร์จของคุณโดยใช้แปรงนุ่มหรือผ้าแห้ง
- ◆ หมั่นทำความสะอาดตัวเรือนมอเตอร์โดยใช้ผ้าหมาด ห้ามใช้สารทำความสะอาดที่มีฤทธิ์กัดกร่อน หรือมีตัวทำลายเป็นส่วนประกอบ
- ◆ หมั่นเคาะดอกไขควงเพื่อกำจัดฝุ่นละอองออกจากด้านใน

## การบำรุงรักษา

เครื่องมือ BLACK+DECKER ได้รับการออกแบบมาสำหรับการใช้งานเป็นระยะเวลานาน และใช้การบำรุงรักษาต่ำสุด การใช้งานที่นำพึงพอใจอย่างต่อเนื่องจะขึ้นอยู่กับกา

ดูแลและการทำความสะอาดเครื่องมืออยู่เป็นประจำ ที่ชาร์จของคุณไม่จำเป็นต้องได้รับการบำรุงรักษาอื่นนอก

เหนือจากการทำความสะอาดอย่างสม่ำเสมอ

**คำเตือน!** ก่อนที่จะทำความสะอาดหรือทำการบำรุงรักษาเครื่องมือ คุณจะต้องถอดปลั๊กที่ชาร์จออกก่อน

- ทำความสะอาดช่องระบายในอุปกรณ์ที่ชาร์จของคุณอย่างสม่ำเสมอโดยใช้แปรงขนนุ่มหรือผ้าแห้ง
- ทำความสะอาดที่ครอบมอเตอร์อย่างสม่ำเสมอโดยใช้ผ้าแห้งหมาด อย่าใช้อุปกรณ์ทำความสะอาดที่หยาบหรือน้ำยาที่เป็นสารละลาย

## การคุ้มครองสิ่งแวดล้อม



ทั้งแยกต่างหาก ต้องไม่นำผลิตภัณฑ์และแบตเตอรี่ที่มีสัญลักษณ์นี้ไปทิ้งรวมกับของเสียในบ้านตามปกติ

ผลิตภัณฑ์และแบตเตอรี่มีวัสดุที่สามารถนำมาใช้ใหม่ได้ หรือนำมาใช้เคล็ดได้เพื่อเป็นการลดความต้องการด้านวัตถุดิบ โปรดรีไซเคิลผลิตภัณฑ์ไฟฟ้าและแบตเตอรี่ตามข้อบังคับในท้องถิ่น โปรดดูข้อมูลเพิ่มเติมที่ [www.2helpU.com](http://www.2helpU.com)

## ข้อมูลการให้บริการ

BLACK+DECKER มอบเครือข่ายเต็มรูปแบบของคุณและบริการที่เป็นของบริษัทและศูนย์บริการที่ได้รับการอนุญาตทั่วเอเชีย ศูนย์บริการทั้งหมดของ BLACK+DECKER มีทีมงานและบุคลากรที่ได้รับการฝึกอบรมมาเป็นอย่างดีในการให้บริการและผลิตภัณฑ์ที่มีประสิทธิภาพและไว้วางใจได้แก่ลูกค้า

ติดต่อศูนย์บริการ BLACK+DECKER ใกล้คุณไม่ว่าคุณจะต้องการคำแนะนำด้านเทคนิค การซ่อมแซม หรือชิ้นส่วนสำหรับการเปลี่ยนที่เป็นของแท้จากโรงงานก็ตาม

## หมายเหตุ

- นโยบายของ BLACK+DECKER คือการปรับปรุงผลิตภัณฑ์อย่างต่อเนื่อง ด้วยเหตุนี้ เราจึงขอสงวนสิทธิ์ในการเปลี่ยนแปลงข้อมูลจำเพาะของผลิตภัณฑ์โดยไม่จำเป็นต้องแจ้งให้คุณทราบล่วงหน้า

## ภาษาไทย

- อุปกรณ์มาตรฐานและอุปกรณ์เสริมอาจแตกต่างกันออกไปในแต่ละประเทศ
- ข้อมูลจำเพาะของผลิตภัณฑ์อาจแตกต่างกันออกไปในแต่ละประเทศ
- ผลิตภัณฑ์ทุกชนิดอาจไม่มีจำหน่ายในทุกประเทศโปรดติดต่อตัวแทน BLACK+DECKER ในท้องถิ่นของคุณเพื่อสอบถามความพร้อมจำหน่ายของผลิตภัณฑ์



