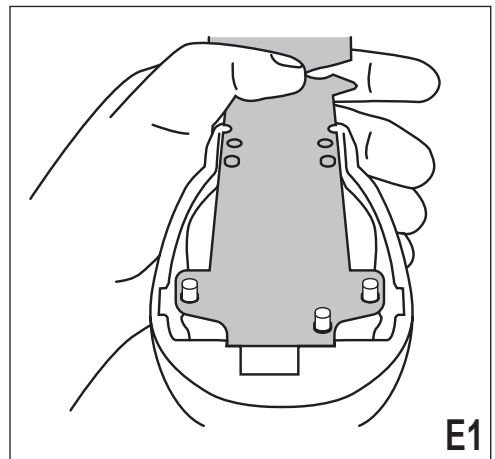
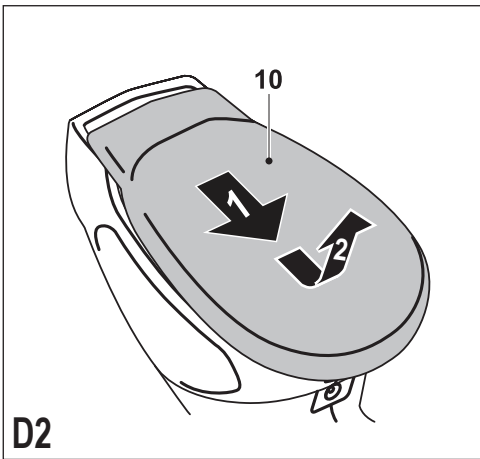
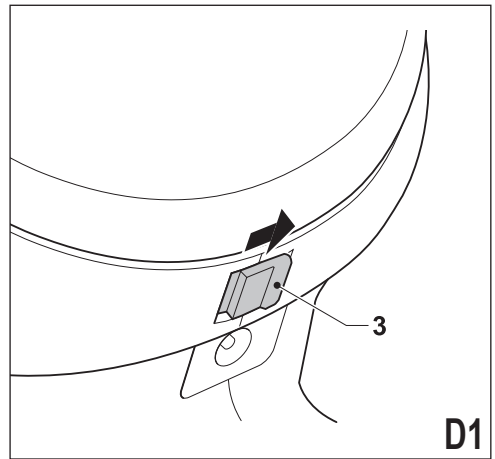
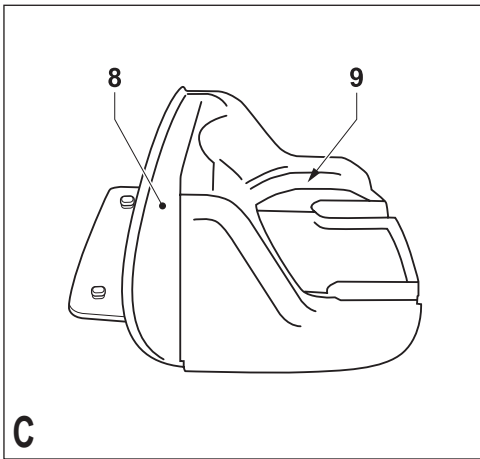
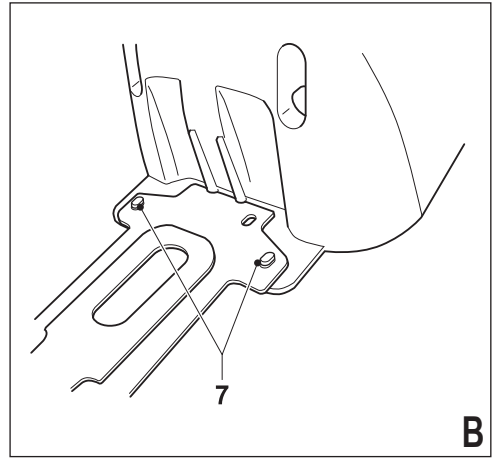
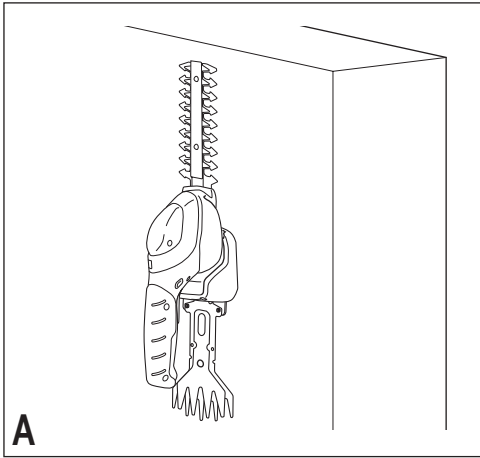
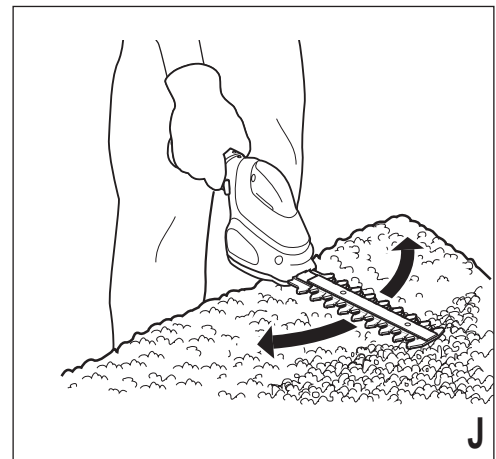
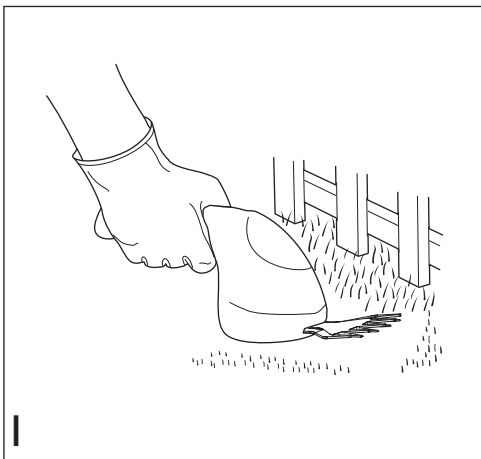
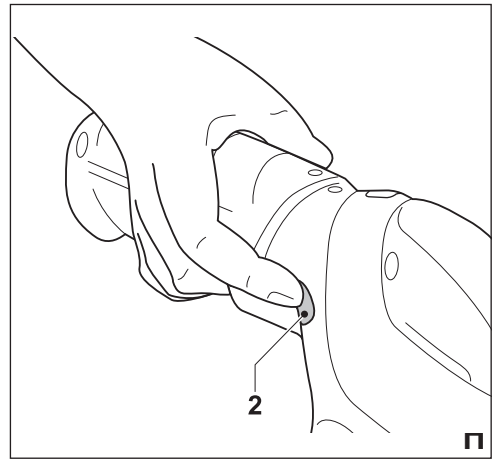
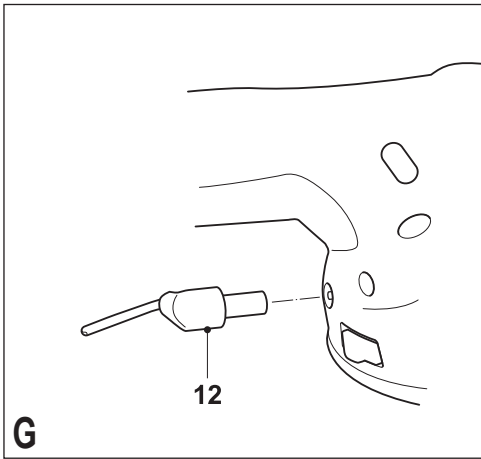
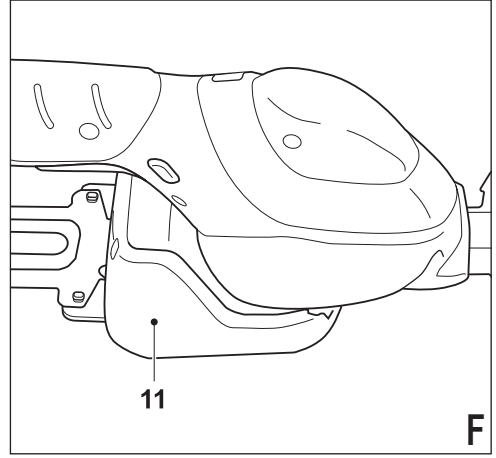
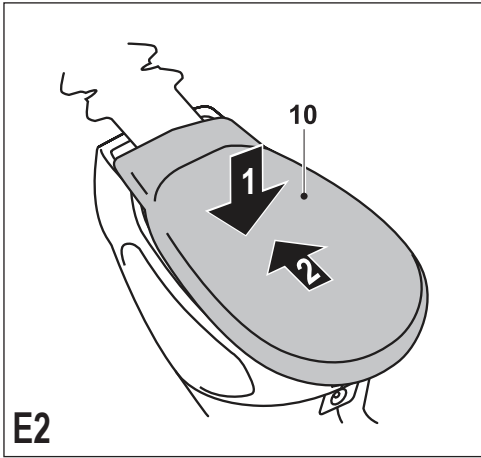


GSL700

English	4
Bahasa Indonesia	10
ภาษาไทย	17





GSL700 SHEAR SHRUBBER

Technical data

		GSL700
Voltage	V_{DC}	7.0
Blade strokes (no load)	min^{-1}	850
Blade length (shear)	cm	10
Blade gap (shear)	mm	23
Blade length (trimmer)	cm	15
Blade gap (trimmer)	mm	8
Blade brake time	s	< 1
Weight	kg	0.65

Charger

Input voltage	V_{AC}	230
Output voltage	V_{DC}	10
Current	mA	120
Approx. charging time	h	14
Weight	kg	0.15

Intended use

Your Black & Decker shear/trimmer has been designed for trimming grass, hedges, shrubs and brambles. This tool is intended for consumer use only.

Your Black & Decker charger has been designed for charging Black & Decker batteries of the type supplied with this tool.

Safety instructions

General power tool safety warnings



Warning! Read all safety warnings and all instructions. Failure to follow the warnings and instructions listed below may result in electric shock, fire and/or serious injury.

Save all warnings and instructions for future reference.

The term "power tool" in all of the warnings listed below refers to your mains operated (corded) power tool or battery operated (cordless) power tool.

1. Work area safety

- Keep work area clean and well lit.** Cluttered or dark areas invite accidents.
- Do not operate power tools in explosive atmospheres, such as in the presence of flammable liquids, gases or dust.** Power tools create sparks which may ignite the dust or fumes.
- Keep children and bystanders away while operating a power tool.** Distractions can cause you to lose control.

2. Electrical safety

- Power tool plugs must match the outlet. Never modify the plug in any way. Do not use any adapter plugs with earthed (grounded) power tools.** Unmodified plugs and matching outlets will reduce risk of electric shock.
- Avoid body contact with earthed or grounded surfaces such as pipes, radiators, ranges and refrigerators.** There is an increased risk of electric shock if your body is earthed or grounded.
- Do not expose power tools to rain or wet conditions.** Water entering a power tool will increase the risk of electric shock.
- Do not abuse the cord. Never use the cord for carrying, pulling or unplugging the power tool. Keep cord away from heat, oil, sharp edges or moving parts.** Damaged or entangled cords increase the risk of electric shock.
- When operating a power tool outdoors, use an extension cord suitable for outdoor use.** Use of a cord suitable for outdoor use reduces the risk of electric shock.
- If operating a power tool in a damp location is unavoidable, use a residual current device (RCD) protected supply.** Use of an RCD reduces the risk of electric shock.

3. Personal safety

- Stay alert, watch what you are doing and use common sense when operating a power tool. Do not use a power tool while you are tired or under the influence of drugs, alcohol or medication.** A moment of inattention while operating power tools may result in serious personal injury.
- Use personal protective equipment. Always wear eye protection.** Protective equipment such as dust mask, non-skid safety shoes, hard hat, or hearing protection used for appropriate conditions will reduce personal injuries.
- Prevent unintentional starting. Ensure the switch is in the off-position before connecting to power source and/or battery pack, picking up or carrying the tool.** Carrying power tools with your finger on the switch or energising power tools that have the switch on invites accidents.
- Remove any adjusting key or wrench before turning the power tool on.** A wrench or a key left attached to a rotating part of the power tool may result in personal injury.
- Do not overreach. Keep proper footing and balance at all times.** This enables better control of the power tool in unexpected situations.
- Dress properly. Do not wear loose clothing or jewellery. Keep your hair, clothing and gloves away from moving parts.** Loose clothes, jewellery or long hair

can be caught in moving parts.

- g. **If devices are provided for the connection of dust extraction and collection facilities, ensure these are connected and properly used.** Use of dust collection can reduce dust-related hazards.

4. Power tool use and care

- a. **Do not force the power tool. Use the correct power tool for your application.** The correct power tool will do the job better and safer at the rate for which it was designed.
- b. **Do not use the power tool if the switch does not turn it on and off.** Any power tool that cannot be controlled with the switch is dangerous and must be repaired.
- c. **Disconnect the plug from the power source and/or the battery pack from the power tool before making any adjustments, changing accessories, or storing power tools.** Such preventive safety measures reduce the risk of starting the power tool accidentally.
- d. **Store idle power tools out of the reach of children and do not allow persons unfamiliar with the power tool or these instructions to operate the power tool.** Power tools are dangerous in the hands of untrained users.
- e. **Maintain power tools. Check for misalignment or binding of moving parts, breakage of parts and any other condition that may affect the power tools operation. If damaged, have the power tool repaired before use.** Many accidents are caused by poorly maintained power tools.
- f. **Keep cutting tools sharp and clean.** Properly maintained cutting tools with sharp cutting edges are less likely to bind and are easier to control.
- g. **Use the power tool, accessories and tool bits etc. in accordance with these instructions, taking into account the working conditions and the work to be performed.** Use of the power tool for operations different from those intended could result in a hazardous situation.

5. Battery tool use and care

- a. **Recharge only with the charger specified by the manufacturer.** A charger that is suitable for one type of battery pack may create a risk of fire when used with another battery pack.
- b. **Use power tools only with specifically designated battery packs.** Use of any other battery packs may create a risk of injury and fire.
- c. **When battery pack is not in use, keep it away from other metal objects, like paper clips, coins, keys, nails, screws, or other small metal objects, that can make a connection from one terminal to another.** Shorting the battery terminals together may cause burns or a fire.
- d. **Under abusive conditions, liquid may be ejected from**

the battery; avoid contact. If contact accidentally occurs, flush with water. If liquid contacts eyes, additionally seek medical help. Liquid ejected from the battery may cause irritation or burns.

6. Service

- a. **Have your power tool serviced by a qualified repair person using only identical replacement parts.** This will ensure that the safety of the power tool is maintained.

Additional power tool safety warnings



Warning! Additional safety warnings for hedge trimmers

- ◆ **Keep all parts of the body away from the cutter blade. Do not remove cut material or hold material to be cut when blades are moving. Make sure the switch is off when clearing jammed material.** A moment of inattention while operating the hedge trimmer may result in serious personal injury.
- ◆ **Carry the hedge trimmer by the handle with the cutter blade stopped. When transporting or storing the hedge trimmer always fit the cutting device cover.** Proper handling of the hedge trimmer will reduce possible personal injury from the cutter blades.
- ◆ **Keep cable away from cutting area.** During operation the cable may be hidden in shrubs and can be accidentally cut by the blade.
- ◆ **Hold the power tool by insulated gripping surfaces only, because the cutter blade may contact hidden wiring.** Cutter blades contacting a "live" wire may make exposed metal parts of the power tool "live" and could give the operator an electric shock.
- ◆ The intended use is described in this instruction manual. The use of any accessory or attachment or performance of any operation with this tool other than those recommended in this instruction manual may present a risk of personal injury and/or damage to property.
- ◆ If you have not used a hedge trimmer before, preferably seek practical instruction by an experienced user in addition to studying this manual.
- ◆ Never touch the blades while the tool is running.
- ◆ Never attempt to force the blades to come to a standstill.
- ◆ Do not put the tool down until the blades have come to a complete standstill.
- ◆ Regularly check the blades for damage and wear. Do not use the tool when the blades are damaged.
- ◆ Take care to avoid hard objects (e.g. metal wire, railings) when trimming. Should you accidentally hit any such object, immediately switch the tool off and check for any damage.

- ◆ Should the tool start to vibrate abnormally, immediately switch it off and check for any damage.
- ◆ If the tool stalls, immediately switch it off.
- ◆ After use, place the blade sheath supplied over the blades. Store the tool, making sure that the blade is not exposed.
- ◆ Always ensure that all guards are fitted when using the tool. Never attempt to use an incomplete tool or a tool with unauthorised modifications.
- ◆ Never allow children to use the tool.
- ◆ Be aware of falling debris when cutting the higher slides of a hedge.



Do not expose the tool to rain or high humidity.



Beware of sharp blades. Blades continue to move after the motor is switched off.



Beware of flying objects. Keep bystanders away.

Additional safety instructions for batteries and chargers

Batteries

- ◆ Never attempt to open for any reason.
- ◆ Do not expose the battery to water.
- ◆ Do not store in locations where the temperature may exceed 40 °C.
- ◆ Charge only at ambient temperatures between 10 °C and 40 °C.
- ◆ Charge only using the charger provided with the appliance/tool. Using the wrong charger could result in an electric shock or overheating of the battery.
- ◆ When disposing of batteries, follow the instructions given in the section "Protecting the environment".
- ◆ Do not damage/deform the battery either by puncture or impact, as this may create a risk of injury and fire.
- ◆ Do not charge damaged batteries.
- ◆ Under extreme conditions, battery leakage may occur. When you notice liquid on the batteries carefully wipe the liquid off using a cloth. Avoid skin contact.
- ◆ In case of skin or eye contact, follow the instructions below.

Warning! The battery fluid may cause personal injury or damage to property. In case of skin contact, immediately rinse with water. If redness, pain or irritation occurs seek medical attention. In case of eye contact, rinse immediately with clean water and seek medical attention.

Chargers

Your charger has been designed for a specific voltage. Always check that the mains voltage corresponds to the voltage on the rating plate.

Warning! Never attempt to replace the charger unit with a regular mains plug.

- ◆ Use your Black & Decker charger only to charge the battery in the tool with which it was supplied. Other batteries could burst, causing personal injury and damage.
- ◆ Never attempt to charge non-rechargeable batteries.
- ◆ If the supply cord is damaged, it must be replaced by the

Additional power tool safety warnings



Warning! Additional safety warnings for shears

- ◆ Never allow people unfamiliar with these instructions or children to use the machine. Local regulations can restrict the age of the operator.
- ◆ Keep in mind that the operator or user is responsible for accidents or hazards occurring to other people or their property.
- ◆ Never operate the machine while people, especially children, or pets are nearby.
- ◆ Use the machine only in daylight or good artificial light.
- ◆ Always ensure that the ventilation openings are kept clear of debris.
- ◆ Use only the manufacturer's recommended replacement parts and accessories.
- ◆ Inspect and maintain the machine regularly. Have the machine repaired only by an authorized repairer.

Safety of others

- ◆ This appliance is not intended for use by persons (including children) with reduced physical, sensory or mental capabilities, or lack of experience and knowledge, unless they have been given supervision or instruction concerning use of the appliance by a person responsible for their safety.
- ◆ Children should be supervised to ensure that they do not play with the appliance.

Labels on tool

The following pictograms are shown on the tool:



Warning! To reduce the risk of injury, the user must read the instruction manual.



Wear safety glasses or goggles when operating this tool.

manufacturer or an authorised Black & Decker Service Centre in order to avoid a hazard.

- ◆ Do not expose the charger to water.
- ◆ Do not open the charger.
- ◆ Do not probe the charger.
- ◆ The appliance/tool/battery must be placed in a well ventilated area when charging.



The charger is intended for indoor use only.



Read the instruction manual before use.



The charger automatically shuts off if the ambient temperature becomes too high. As soon as the ambient temperature has cooled down, the charger will resume operating.



Fail safe isolating transformer. The mains supply is electrically separated from the transformer output.

Electrical safety



Your charger is double insulated; therefore no earth wire is required. Always check that the mains voltage corresponds to the voltage on the rating plate.

- ◆ If the supply cord is damaged, it must be replaced by the manufacturer or an authorised Black & Decker Service Centre in order to avoid a hazard.
- ◆ **Warning!** Never attempt to replace the charger unit with a regular mains plug.

Features

1. On/off switch
2. Lock-off button
3. Blade release button
4. Shear blade
5. Trim blade
6. Charging indicator

Assembly

Warning! Avoid accidentally switching the tool on during assembly.

Fitting the wall mount to the wall (fig. A & B)

The wall mount can be fitted to the wall to provide a convenient storage and charging point for the tool.

- ◆ Drive the screws in the wall through the holes in the crevices of wall mount.
- ◆ Place the tool on the wall mount.
- ◆ Plug in the charger making sure the charging indicator (6) lights up (fig. A).
- ◆ If required, use the two pegs (7) below the wall mount to store the spare blade (fig. B).

Warning! Avoid damaging the power cord when mounting the wall mount to the wall.

Removing the charger plug from the wall mount (fig. C)

The tool can be charged without using the wall mount. The charger plug can be connected to the tool directly.

- ◆ Remove the screws from the back of the wall mount.
- ◆ Slide the back part (8) from the front part (9) to open the wall mount.
- ◆ Remove the charger plug from the wall mount.

Fitting and removing the blade (fig. D & E)

The shear blade (4) has been designed for trimming grass and weeds. The trim blade (5) has been designed for trimming hedges and shrubs.

- ◆ Remove the blade cover.
- ◆ Push and hold the blade release button (3) in the direction of the arrow (fig. D1).
- ◆ Slide the blade cover (10) backward and lift off (fig. D2).
- ◆ Lower the blade onto the pins.
- ◆ While holding the blade onto the pins (fig. E1), replace the blade cover (10) and slide it forward (fig. E2).

Note: No alignment of blade with drive pin is required and operation of the blade cover release button is not required when re-fitting the blade cover.

Use

Warning! Let the tool work at its own pace. Do not overload.

Charging the battery

The battery needs to be charged before first use and whenever it fails to produce sufficient power on jobs that were easily done before. When charging the battery for the first time, or after prolonged storage, it will only accept an 80% charge. After several charge and discharge cycles, the battery will attain full capacity. The battery may become warm while charging; this is normal and does not indicate a problem.

Warning! Do not charge the battery at ambient temperatures below 10 °C or above 40 °C. Recommended charging temperature: approx. 24 °C.

The tool can be left connected to the charger indefinitely. To maximise the lifetime of the battery, it is recommended to keep the battery connected to the charger whenever the tool is not in use. When the battery is full, the power consumption of the charger is negligible.

Charging with the wall mount (fig. F)

- ◆ Place the tool on the wall mount (11).
- ◆ Plug in the charger.

Charging with the charger plug (fig. G)

The charger plug is designed with lock outs to prevent the use of an incorrect charger.

- ◆ Insert the charger plug (12) into the charger connector at the rear of the tool.
- ◆ Plug in the charger.

Charging the battery

- ◆ Charge the battery.

When the battery is charging the charging indicator (6) flashes. The charging indicator will stop flashing when the charging is complete. The charging indicator flashes quickly to indicate a charging problem. When a charging problem occurs, connect the tool directly to the charger plug by removing the wall mount. If the charging problem still occurs, the charger must be disconnected from the mains supply and taken to an authorised service centre for repair.

Switching on and off (fig. H)

Switching on

- ◆ Push and hold the lock button (2) to the right or to the left and then squeeze the on/off switch (1).
- ◆ Release the lock-off button.

Switching off

- ◆ Release the on/off switch (1).

Warning! Never attempt to lock the switch in the on position.

Hints for optimum use (fig. I & J)

- ◆ Spray the blade with a light coating of light general use oil before first use and whenever the blades begin to look dry.

Trimming grass

- ◆ In order to achieve optimum cutting results, only cut dry grass.
- ◆ Hold the tool as shown in fig. I. Keep your other hand well away from the blade. Maintain a stable working position so that you do not slip. Do not overreach.
- ◆ When cutting long grass, work in stages from the top. Take small cuts.

- ◆ Keep the tool away from hard objects and delicate plants.
- ◆ If the tool starts running slowly, reduce the load.
- ◆ To make a closer cut, slightly tilt the tool.

Trimming hedges

- ◆ Slightly tilt the tool (up to 15° relative to the line of cut) so that the blade tips point slightly towards the hedge (fig. J). This will cause the blades to cut more effectively.
- ◆ Start by trimming the top of the hedge. Hold the tool at the desired angle and move it steadily along the line of cut. The double-sided blade allows you to cut in either direction.
- ◆ In order to obtain a very straight cut, stretch a piece of string along the length of the hedge at the desired height. Use the string as a guideline, cutting just above it.
- ◆ In order to obtain flat sides, cut upwards with the growth. Younger stems move outwards when the blade cuts downwards, causing shallow patches in the hedge.
- ◆ Take care to avoid any foreign objects. Especially avoid hard objects such as metal wire and railings, as these could damage the blades.
- ◆ Regularly oil the blades.

Maintenance

Your Black & Decker corded/cordless appliance/tool has been designed to operate over a long period of time with a minimum of maintenance. Continuous satisfactory operation depends upon proper tool care and regular cleaning.

Warning! Before performing any maintenance on corded/cordless power tools:

- ◆ Switch off and unplug the appliance/tool.
- ◆ Or switch off and remove the battery from the appliance/tool if the appliance/tool has a separate battery pack.
- ◆ Or run the battery down completely if it is integral and then switch off.
- ◆ Unplug the charger before cleaning it. Your charger does not require any maintenance apart from regular cleaning.
- ◆ Regularly clean the ventilation slots in your appliance/tool/charger using a soft brush or dry cloth.
- ◆ Regularly clean the motor housing using a damp cloth. Do not use any abrasive or solvent-based cleaner.
- ◆ Regularly open the chuck and tap it to remove any dust from the interior (when fitted).
- ◆ After use, carefully clean the blades. After cleaning, apply a film of light machine oil to prevent the blades from rusting.

Storage

When the tool will not be used for several months, ideally leave the battery connected to the charger. Otherwise proceed as follows:

- ◆ Fully charge the battery.
- ◆ Store the tool in a secure and dry location. The storage temperature must always remain in the range of +10 °C to +40 °C.
- ◆ Before using the tool after prolonged storage, fully charge the battery again.

NOTE

- ◆ Black & Decker's policy is one of continuous improvement to our products and, as such, we reserve the right to change product specifications without prior notice.
- ◆ Standard equipment and accessories may vary by country.
- ◆ Product specifications may differ by country.
- ◆ Complete product range may not be available in all countries. Contact your local Black & Decker dealers for range availability.

Protecting the environment



Separate collection. This product must not be disposed of with normal household waste.

Should you find one day that your Black & Decker product needs replacement, or if it is of no further use to you, do not dispose of it with household waste. Make this product available for separate collection.



Separate collection of used products and packaging allows materials to be recycled and used again. Re-use of recycled materials helps prevent environmental pollution and reduces the demand for raw materials.

Local regulations may provide for separate collection of electrical products from the household, at municipal waste sites or by the retailer when you purchase a new product.

Batteries



Black & Decker batteries can be recharged many times. At the end of their useful life, discard batteries with due care for our environment.

Service Information

Black & Decker offers a full network of company-owned and authorized service locations throughout Asia. All

Black & Decker Service Centers are staffed with trained personnel to provide customers with efficient and reliable power tool service.

Whether you need technical advice, repair, or genuine factory replacement parts, contact the Black & Decker location nearest to you.

GSL700 MESIN PEMOTONG TANAMAN

Data teknis

		GSL700
Voltase	V_{DC}	7.0
Goresan bilah (tanpa beban)	min^{-1}	850
Panjang bilah (bilah gunting)	cm	10
Celah bilah (bilah gunting)	mm	23
Panjang bilah (bilah pemangkas)	cm	15
Celah bilah (bilah pemangkas)	mm	8
Waktu jeda bilah	s	< 1
Berat	kg	0.65

Pengisi daya

Voltase input	V_{AC}	230
Voltase output	V_{DC}	10
Arus	mA	120
Kisaran waktu pengisian daya	h	14
Berat	kg	0.15

Tujuan penggunaan

Mesin pemotong/pemangkas tanaman Black & Decker Anda dirancang untuk merapikan rumput serta memangkas pagar tanaman, semak, dan semak berduri. Perkakas ini hanya ditujukan untuk digunakan oleh konsumen.

Pengisi daya Black & Decker Anda telah dirancang untuk mengisi jenis baterai Black & Decker yang menyertai perkakas ini.

Petunjuk keselamatan

Peringatan umum untuk keselamatan perkakas listrik



Peringatan! Baca seluruh peringatan keselamatan dan seluruh petunjuk. Kelalaian dalam mengikuti semua peringatan dan petunjuk yang tercantum di bawah ini dapat mengakibatkan sengatan listrik, kebakaran, dan/atau cedera serius.

Simpan semua peringatan dan petunjuk untuk pedoman di masa depan. Istilah “perkakas listrik” dalam seluruh peringatannya tercantum di bawah ini merujuk pada perkakas bertenaga listrik (berkabel) atau perkakas listrik bertenaga baterai (nirkabel) Anda.

1. Keselamatan area kerja

- Pastikan agar area kerja selalu bersih dan mendapatkan pencahayaan yang cukup. Area

yang berantakan atau gelap berpotensi mengakibatkan kecelakaan.

- Jangan mengoperasikan perkakas listrik di lingkungan yang rentan terhadap bahaya ledakan, seperti di dekat cairan, gas, atau debu yang mudah terbakar. Perkakas listrik menimbulkan percikan api yang dapat menyulut debu atau uap.
- Jauhkan anak-anak dan orang-orang di sekitar Anda saat mengoperasikan perkakas listrik. Gangguan dapat menyebabkan Anda kehilangan kendali.

2. Keselamatan kerja kelistrikan

- Steker perkakas listrik harus sesuai dengan stopkontak. Jangan pernah memodifikasi steker dengan cara apa pun. Jangan gunakan steker adaptor apa pun dengan perkakas listrik yang dibumikan. Steker yang tidak dimodifikasi dan stopkontak yang sesuai akan mengurangi risiko sengatan listrik.
- Jagalah agar badan Anda tidak bersentuhan dengan permukaan yang dibumikan, seperti pipa, radiator, kompor, dan kulkas. Risiko sengatan listrik dapat bertambah jika tubuh Anda bersentuhan dengan permukaan yang dibumikan.
- Jangan sampai perkakas listrik ini terkena hujan atau terpapar pada kondisi yang basah. Air yang masuk ke perkakas listrik akan meningkatkan risiko sengatan listrik.
- Jangan menyalahgunakan kabel. Jangan pernah menggunakan kabel untuk membawa, menarik, atau mencabut perkakas listrik. Jauhkan kabel dari panas, minyak, tepian tajam, atau komponen yang bergerak. Kabel yang rusak atau terbelit akan meningkatkan risiko sengatan listrik.
- Bila mengoperasikan perkakas listrik di luar ruangan, gunakan kabel ekstensi yang sesuai untuk penggunaan di luar ruangan. Menggunakan kabel yang sesuai untuk penggunaan di luar ruangan akan mengurangi risiko sengatan listrik.
- Jika penggunaan perkakas listrik di lokasi yang lembap tidak dapat dihindari, gunakan arus yang terlindung oleh peranti arus residual (RCD). Penggunaan RCD akan mengurangi risiko sengatan listrik.

3. Keselamatan diri

- Tetaplah waspada, perhatikan apa yang Anda tengah kerjakan dan gunakan akal sehat saat mengoperasikan perkakas listrik. Jangan mengoperasikan perkakas listrik bila Anda sedang lelah, atau berada di bawah pengaruh obat-obatan, alkohol, atau dalam pengobatan. Kelengahan sesaat saja saat mengoperasikan perkakas listrik dapat mengakibatkan cedera diri serius.

- b. Gunakan peralatan pelindung diri. Selalu gunakan pelindung mata.** Peralatan pelindung, seperti masker debu, sepatu keselamatan antiselip, helm proyek, atau pelindung telinga yang digunakan untuk kondisi yang sesuai akan mengurangi risiko cedera diri.
- c. Hindarkan menyalakan perkakas tanpa disengaja. Pastikan bahwa sakelar sudah dalam posisi mati sebelum menghubungkannya ke sumber listrik dan/atau kemasan baterai, mengambil, atau membawa perkakas.** Membawa perkakas listrik dengan jari Anda masih menempel pada sakelar atau menghidupkan perkakas listrik yang sakelarnya masih menyala akan berpotensi mengakibatkan kecelakaan.
- d. Lepaskan segala jenis kunci penyesuai atau kunci pas sebelum menyalakan alat listrik.** Kunci pas atau kunci yang dibiarkan terpasang pada komponen perkakas listrik yang berputar dapat mengakibatkan cedera diri.
- e. Jangan melampaui batas. Jagalah selalu pijakan dan keseimbangan dengan baik.** Hal ini memungkinkan Anda untuk mengendalikan perkakas listrik secara lebih baik dalam situasi yang tidak terduga.
- f. Kenakan pakaian yang sesuai. Jangan mengenakan pakaian yang longgar atau perhiasan. Jauhkan rambut, pakaian dan sarung tangan dari komponen yang bergerak.** Pakaian yang longgar, perhiasan atau rambut panjang dapat tersangkut pada komponen yang bergerak.
- g. Jika disediakan peranti untuk menyambung perangkat pembersih atau pengumpul debu, pastikan peranti ini tersambung dan digunakan sebagaimana mestinya.** Penggunaan perangkat pengumpul debu dapat mengurangi bahaya yang ditimbulkan oleh debu.
- 4. Penggunaan dan pemeliharaan perkakas listrik**
- a. Jangan menggunakan perkakas listrik dengan paksa. Gunakan perkakas listrik yang benar untuk aplikasi Anda.** Perkakas listrik yang tepat akan bekerja lebih baik dan aman pada tingkat kelajuan yang telah dirancang untuk perkakas itu.
- b. Jangan gunakan alat listrik jika tidak dapat dihidupkan dan dimatikan dengan tombol.** Perkakas listrik apa pun yang tidak dapat dikendalikan dengan tombol adalah berbahaya dan harus diperbaiki.
- c. Lepaskan steker dari sumber listrik dan/atau kemasan baterai dari perkakas listrik sebelum melakukan penyesuaian apa pun, mengganti aksesoris, atau menyimpan perkakas listrik.** Tindakan pencegahan untuk keselamatan seperti itu akan mengurangi risiko menyalakan perkakas listrik secara tidak disengaja.
- d. Simpan alat listrik yang tidak digunakan jauh dari jangkauan anak-anak dan jangan biarkan perkakas listrik ini dioperasikan oleh mereka yang tidak memahami alat listrik atau semua petunjuk yang ada di sini.** Perkakas listrik bisa berbahaya bila digunakan oleh pengguna yang tidak terlatih.
- e. Rawatlah perkakas listrik Anda. Lakukan pemeriksaan untuk mengetahui apakah ada komponen bergerak yang tidak sejajar atau bengkok, komponen yang patah, dan kondisi lainnya yang dapat mempengaruhi pengoperasian perkakas listrik. Jika rusak, perbaiki perkakas listrik sebelum digunakan.** Banyak kecelakaan terjadi akibat perkakas listrik yang tidak dirawat dengan baik.
- f. Pastikan agar alat pemotong tetap tajam dan bersih.** Alat pemotong yang terawat baik dengan mata potong yang tajam akan kecil kemungkinannya untuk macet serta lebih mudah untuk dikendalikan.
- g. Gunakan perkakas listrik, aksesoris, komponen perkakas, dsb. sesuai petunjuk ini, dengan memperhatikan kondisi kerja dan pekerjaan yang akan dilakukan.** Penggunaan alat listrik untuk pengoperasian yang tidak sesuai dengan tujuan penggunaan dapat mengakibatkan situasi yang berbahaya.
- 5. Penggunaan dan pemeliharaan perkakas bertenaga baterai**
- a. Isi ulang daya baterai dengan pengisi daya yang ditentukan oleh produsen.** Pengisi daya yang cocok untuk satu tipe kemasan baterai dapat menimbulkan risiko kebakaran jika digunakan pada kemasan baterai lainnya.
- b. Gunakan alat listrik hanya dengan kemasan baterai yang telah ditentukan secara khusus.** Penggunaan kemasan baterai lainnya dapat menimbulkan risiko cedera dan kebakaran.
- c. Bila tidak dipakai, jauhkan kemasan baterai dari benda logam seperti klip penjepit kertas, koin, kunci, paku, sekrup, atau benda logam kecil lainnya yang dapat menimbulkan hubungan listrik dari satu terminal ke terminal lainnya.** Menghubungkan kedua terminal baterai dengan kabel secara tidak semestinya dapat mengakibatkan luka bakar atau kebakaran.
- d. Dalam kondisi berlebihan, cairan dapat keluar dari baterai; jangan sentuh. Jika tidak sengaja tersentuh, bilas dengan air. Jika cairan mengenai mata, carilah juga bantuan medis.** Cairan yang keluar dari baterai dapat menyebabkan iritasi atau luka bakar.

6. Servis

- a. **Pastikan perkakas listrik Anda diservis oleh teknisi berkualifikasi dan hanya menggunakan komponen pengganti yang persis sama.** Hal ini akan membuat keamanan perkakas listrik selalu terjaga.

Peringatan tambahan untuk keamanan perkakas listrik



Peringatan! Peringatan keselamatan tambahan untuk mesin pemangkas tanaman

- ◆ **Jauhkan seluruh anggota tubuh Anda dari bilah pemotong. Jangan mengeluarkan material yang dipotong atau memegang material yang akan dipotong saat bilah sedang bergerak. Pastikan tombol dalam posisi mati saat membersihkan material yang macet di dalam mesin.** Kelengahan sesaat saja saat mengoperasikan mesin pemangkas tanaman ini dapat mengakibatkan cedera diri serius.
- ◆ **Angkat mesin pemotong tanaman menggunakan pegangannya dengan bilah pemotong dalam keadaan berhenti. Saat memindahkan atau menyimpan mesin pemotong tanaman ini, selalu pasang penutup perangkat pemotong dengan benar.** Penanganan mesin pemotong tanaman ini secara semestinya akan mengurangi kemungkinan cedera diri akibat bilah pemotong.
- ◆ **Jauhkan kabel dari area pemotongan.** Selama pengoperasian, kabel bisa saja terselip di dalam semak dan dapat terpotong oleh bilah secara tidak sengaja.
- ◆ **Pegang perkakas listrik hanya pada bagian yang tidak menghantarkan listrik, karena bilah pemotong berpotensi bersentuhan dengan kabel tersembunyi.** Pisau pemotong yang menyentuh kabel "aktif" dapat menyebabkan bagian logam alat listrik yang terbuka menjadi beraliran listrik pula, sehingga dapat mengakibatkan operator tersengat listrik.
- ◆ Tujuan penggunaan dijelaskan dalam panduan pengguna ini. Menggunakan aksesoris atau peralatan tambahan, maupun mengoperasikan perkakas ini dengan cara yang tidak sesuai dengan yang disarankan dalam panduan pengguna ini dapat menimbulkan risiko cedera tubuh dan/atau kerusakan benda-benda milik pribadi.
- ◆ Jika Anda belum pernah menggunakan mesin pemotong tanaman ini sebelumnya, Anda sebaiknya meminta petunjuk praktis dari pengguna yang sudah berpengalaman selain mempelajari panduan ini.
- ◆ Jangan pernah menyentuh bilah saat perkakas sedang beroperasi.
- ◆ Jangan pernah mencoba untuk menghentikan pisau secara paksa.
- ◆ Jangan meletakkan perkakas sampai pisau sudah benar-benar berhenti.

- ◆ Periksa apakah ada kerusakan atau keausan pada bilah secara teratur. Jangan gunakan perkakas jika bilah dalam keadaan rusak.
- ◆ Waspadalah untuk menghindari benda-benda keras (misalnya kabel atau pembatas berbahan logam) saat memotong. Jika Anda tanpa sengaja mengenai benda tersebut, segera matikan perkakas dan periksa apakah terjadi kerusakan.
- ◆ Jika perkakas mulai bergetar secara tidak wajar, segera matikan dan periksa apakah ada kerusakan.
- ◆ Jika perkakas macet, segeralah matikan.
- ◆ Setelah digunakan, bungkus bilah dengan sarung pelindung yang disediakan. Saat menyimpan perkakas, pastikan bilah tidak dalam keadaan terbuka.
- ◆ Selalu pastikan semua pelindung sudah terpasang saat menggunakan perkakas ini. Jangan pernah mencoba untuk menggunakan perkakas yang tidak lengkap atau perkakas dengan modifikasi yang tidak sesuai.
- ◆ Jangan pernah membiarkan anak-anak untuk menggunakan perkakas ini.
- ◆ Waspadai serpihan yang jatuh saat memotong sisi-sisi pagar tanaman yang lebih tinggi.

Peringatan tambahan untuk keamanan perkakas listrik



Peringatan! Peringatan keamanan tambahan untuk mesin penggunting

- ◆ Jangan pernah membiarkan peralatan ini digunakan oleh anak-anak atau oleh mereka yang tidak memahami semua petunjuk ini. Peraturan setempat dapat membatasi usia pengguna.
- ◆ Ingatlah bahwa operator atau pengguna senantiasa bertanggung jawab atas kecelakaan atau bahaya yang terjadi pada orang lain maupun barang-barang milik mereka.
- ◆ Jangan pernah mengoperasikan mesin saat orang lain, khususnya anak-anak, atau binatang peliharaan tengah berada di dekat Anda.
- ◆ Gunakan peralatan ini hanya di siang hari atau di bawah pencahayaan yang cukup.
- ◆ Pastikan agar celah ventilasi selalu bebas dari sisa-sisa pemotongan.
- ◆ Gunakan hanya suku cadang pengganti dan aksesoris yang direkomendasikan oleh produsen.
- ◆ Periksa dan rawat mesin ini secara teratur. Perbaiki mesin hanya oleh teknisi yang telah ditunjuk.

Keselamatan orang lain

- ◆ Peralatan ini tidak ditujukan untuk digunakan oleh mereka (termasuk anak-anak) yang memiliki keterbatasan kemampuan fisik, sensorik, maupun mental, atau yang

kurang pengalaman dan pengetahuan, kecuali apabila mereka berada di bawah pengawasan atau menerima petunjuk mengenai penggunaan peralatan ini oleh orang yang bertanggung jawab atas keselamatan mereka.

- ◆ Anak-anak harus diawasi untuk memastikan agar mereka tidak bermain-main dengan peralatan ini.

Label pada perkakas

Gambar-gambar berikut ini tertera pada perkakas:



Peringatan! Untuk mengurangi risiko cedera, pengguna harus membaca buku petunjuk.



Kenakanlah kacamata pengaman atau pelindung mata saat mengoperasikan perkakas ini.



Jangan sampai perkakas listrik ini terkena hujan atau terpapar ke kondisi yang basah.



Waspadalah terhadap bilah yang tajam. Bilah akan tetap berputar setelah motor dimatikan..



Waspadalah terhadap benda-benda yang terlontar. Menjauhlah dari orang-orang di sekitar Anda.

Petunjuk keselamatan tambahan untuk baterai dan pengisi daya

Baterai

- ◆ Jangan pernah membuka baterai dengan maksud apa pun.
- ◆ Jangan paparkan baterai pada air.
- ◆ Jangan simpan di lokasi yang suhunya melebihi 40 °C.
- ◆ Lakukan pengisian daya hanya pada suhu lingkungan antara 10 °C hingga 40° C.
- ◆ Isi ulang daya hanya menggunakan pengisi daya yang disertakan bersama perkakas. Memakai pengisi daya yang tidak sesuai dapat mengakibatkan sengatan listrik atau baterai terlalu panas.
- ◆ Saat membuang baterai, ikuti petunjuk yang diberikan dalam bagian “Melindungi Lingkungan.
- ◆ Jangan merusak/mengubah bentuk baterai baik dengan cara menusuk atau menemuknya, karena hal tersebut dapat menimbulkan risiko cedera dan kebakaran.
- ◆ Jangan mengisi daya baterai yang sudah rusak.
- ◆ Dalam kondisi ekstrem, kebocoran baterai dapat terjadi. Bila Anda mendapati ada cairan pada baterai, segera bersihkan cairan tersebut menggunakan kain lap. Hindari bersentuhan dengan kulit.
- ◆ Jika terjadi sentuhan dengan kulit atau mata, ikutilah petunjuk-petunjuk di bawah.

Peringatan! Cairan baterai dapat mengakibatkan cedera diri atau kerusakan pada benda-benda milik pribadi. Jika tersentuh kulit, segera bilas dengan air. Jika terjadi radang, nyeri, atau iritasi, carilah bantuan medis. Jika terkena mata, segera bilas dengan air dan cari bantuan medis.

Pengisi daya

Pengisi daya Anda telah dirancang untuk beroperasi pada voltase tertentu. Selalu periksa apakah voltase listrik sudah sesuai dengan tegangan yang tercantum pada pelat spesifikasi.

Peringatan! Jangan pernah mencoba untuk mengganti unit pengisi daya dengan steker listrik biasa.

- ◆ Hanya gunakan pengisi daya Black & Decker Anda yang telah disertakan untuk mengisi daya baterai dalam perkakas. Baterai lain dapat meledak, menyebabkan cedera diri dan kerusakan.
- ◆ Jangan pernah mengisi ulang daya baterai yang tidak dapat diisi ulang.
- ◆ Jika rusak, kabel daya harus diganti oleh produsen atau Pusat Servis Black & Decker resmi untuk menghindari terjadinya bahaya.
- ◆ Jangan paparkan pengisi daya pada air.
- ◆ Jangan membuka pengisi daya.
- ◆ Jangan membongkar untuk memeriksa bagian dalam pengisi daya.
- ◆ Peralatan/perkakas/baterai harus diletakkan di tempat dengan sirkulasi udara yang baik saat melakukan pengisian daya.



Pengisi daya ini hanya ditujukan untuk penggunaan di dalam ruangan.



Baca buku petunjuk sebelum penggunaan.



Pengisi daya akan mati secara otomatis jika suhu sekitar menjadi terlalu tinggi. Segera setelah suhu sekitar menjadi lebih sejuk, pengisi daya akan melanjutkan pengoperasian.



Trafo isolator antigagal. Sumber listrik dipisahkan secara elektrik dari output trafo.

Keselamatan kerja kelistrikan



Pengisi daya memiliki isolator ganda, sehingga tidak memerlukan kabel bumi. Selalu periksa apakah voltase listrik sudah sesuai dengan tegangan yang tercantum pada pelat spesifikasi.

- ◆ Jika rusak, kabel daya harus diganti oleh produsen atau Pusat Servis Black & Decker resmi untuk menghindari terjadinya bahaya.
- ◆ **Peringatan!** Jangan pernah mencoba untuk mengganti unit pengisi daya dengan steker listrik biasa.

Fitur

1. Sakelar on/off
2. Tombol pelepas kunci
3. Tombol pelepas bilah
4. Bilah gunting
5. Bilah pangkas
6. Indikator pengisian daya

Perakitan

Peringatan! Hindarilah menyalakan perkakas tanpa sengaja saat melakukan perakitan.

Memasang gantungan ke dinding (gbr. A & B)

Gantungan dapat dipasangkan ke dinding untuk kemudahan penyimpanan serta sebagai titik pengisian daya bagi perkakas ini.

- ◆ Masukkan sekrup ke dinding melalui lubang yang ada pada cekungan gantungan.
- ◆ Letakkan perkakas pada gantungan.
- ◆ Sambungkan pengisi daya ke sumber listrik dan pastikanlah indikator pengisian daya (6) sudah menyala (gbr. A).
- ◆ Jika diperlukan, gunakanlah kedua pasak (7) di bawah gantungan untuk menyimpan bilah cadangan (gbr. B).

Peringatan! Waspadalah agar kabel listrik tidak sampai rusak saat memasangkan gantungan ke dinding.

Melepaskan steker pengisi daya dari gantungan (gbr. C)

Perkakas ini dapat diisi dayanya tanpa diletakkan pada gantungan. Steker pengisi daya dapat disambung ke perkakas secara langsung.

- ◆ Lepaskan semua sekrup dari bagian belakang gantungan.
- ◆ Geser bagian belakang (8) dari bagian depannya (9) untuk membuka gantungan.
- ◆ Lepaskan steker pengisi daya dari gantungan.

Memasang dan melepas bilah (gambar D & E).

Bilah gunting (4) dirancang untuk memangkas rumput dan ilalang. Sedangkan bilah pangkas (5) dirancang untuk memangkas pagar tanaman dan semak.

- ◆ Lepaskan penutup bilah.
- ◆ Tekan dan tahan tombol pelepas bilah (3) sesuai arah anak panah (gbr. D1).
- ◆ Geser penutup bilah (10) ke belakang dan lepaskan (gbr. D2).

- ◆ Turunkan bilah ke atas pin.
- ◆ Sambil memegang bilah di atas pin (gbr. E1), pasang kembali penutup bilah (10) dan geser ke arah depan (gbr. E2).

Catatan: Saat memasangkan kembali penutup bilah, Anda tidak perlu meluruskan bilah dengan pin penggerak, maupun menekan tombol pelepas penutup bilah.

Penggunaan

Peringatan! Biarlah perkakas bekerja sesuai dengan kemampuannya. Jangan dibebani secara berlebihan.

Mengisi ulang daya baterai

Baterai perlu diisi ulang sebelum penggunaan pertama dan setiap kali baterai tidak mampu menghasilkan daya yang memadai untuk mengerjakan pekerjaan yang sebelumnya mudah dilakukan. Saat pertama kali mengisi ulang daya baterai, atau setelah lama disimpan, daya baterai hanya dapat diisi ulang hingga 80%. Setelah melewati beberapa siklus pengisian dan pemakaian, baterai akan mencapai kapasitas penuhnya. Baterai akan menghangat pada saat diisi ulang; ini wajar dan tidak menandakan adanya masalah.

Peringatan! Jangan mengisi ulang baterai pada suhu lingkungan di bawah 10 °C atau di atas 40 °C. Suhu pengisian ulang daya yang dianjurkan: kurang lebih 24 °C.

Perkakas ini dapat dibiarkan tersambung ke pengisi daya secara terus-menerus. Untuk memaksimalkan usia pakai baterai, disarankan untuk tetap menyambungkan baterai ke pengisi daya setiap kali perkakas ini tidak dipakai. Bila baterai penuh, konsumsi listrik pengisi daya dapat diabaikan.

Mengisi daya menggunakan gantungan (gbr. F)

- ◆ Letakkan perkakas pada gantungan (11).
- ◆ Sambungkan pengisi daya ke sumber listrik.

Mengisi daya dengan steker pengisi daya (gambar G)

Steker pengisi daya dirancang dengan sistem pengunci untuk menghindari pemakaian pengisi daya yang tidak sesuai.

- ◆ Masukkan steker pengisi daya (12) ke sambungan pengisi daya di bagian belakang perkakas.
- ◆ Sambungkan pengisi daya ke sumber listrik.

Mengisi ulang daya baterai

- ◆ Isi ulang daya baterai.

Bila daya baterai sedang diisi ulang, indikator pengisian daya (6) akan berkelip. Indikator pengisian daya akan berhenti berkelip bila pengisian daya telah selesai. Indikator pengisian daya akan berkelip dengan cepat untuk mengindikasikan adanya masalah pengisian daya. Bila terjadi masalah pengisian daya, sambungkan perkakas ke pengisi daya

secara langsung dengan melepaskan gantungan. Jika masalah pengisian daya tetap berlanjut, pengisi daya harus dilepaskan dari sumber listrik dan dibawa ke pusat servis resmi untuk diperbaiki.

Menyalakan dan mematikan peralatan (gbr. H)

Menyalakan

- ◆ Tekan dan tahan tombol pengunci (2) ke arah kanan atau kiri, kemudian tekan sakelar on/off (1).
- ◆ Lepaskan tombol pengunci

Mematikan

- ◆ Lepaskan sakelar on/off (1).

Peringatan! Jangan pernah mencoba untuk mengunci sakelar dalam keadaan menyala.

Petunjuk untuk penggunaan secara optimal (gbr. I & J)

- ◆ Semprotkan bilah dengan lapisan tipis oli serbaguna sebelum digunakan untuk pertama kali dan setiap kali bilah mulai terlihat mengering.

Memangkas rumput

- ◆ Untuk memperoleh hasil yang optimal, lakukanlah pemotongan hanya pada rumput kering.
- ◆ Peganglah perkakas seperti pada gbr. I. Pastikan tangan Anda yang lain jauh dari bilah pemotong. Pertahankanlah posisi bekerja yang stabil agar Anda tidak terpeleset. Jangan menjangkau melampaui batas.
- ◆ Bila memotong rumput yang panjang, bekerjalah dalam beberapa tahap mulai dari atas. Lakukanlah pemotongan sedikit demi sedikit.
- ◆ Jauhkan perkakas dari benda-benda keras dan jenis-jenis tanaman yang peka.
- ◆ Jika operasi perkakas mulai melambat, kurangilah beban pemotongan.
- ◆ Untuk membuat potongan yang lebih rapat, operasikan perkakas pada posisi sedikit miring.

Memangkas pagar tanaman

- ◆ Miringkan sedikit posisi perkakas (hingga 15° relatif terhadap garis pemotongan) sehingga ujung bilah sedikit menghadap ke arah pagar tanaman (gbr. J). Dengan cara ini, bilah akan memotong secara lebih efektif.
- ◆ Mulailah dengan memangkas bagian atas pagar tanaman. Pegang perkakas pada sudut yang diinginkan dan gerakkan dengan mantap mengikuti garis pemotongan. Bilahnya yang bersisi ganda memungkinkan Anda untuk memotong dua arah.
- ◆ Untuk mendapatkan potongan yang benar-benar lurus, bentangkan seutas tali sepanjang pagar tanaman

pada ketinggian yang diinginkan. Gunakan tali sebagai pemandu, dan lakukan pemotongan persis di atas tali tersebut.

- ◆ Untuk mendapatkan sisi yang rata, potong tanaman dari bawah ke atas. Batang yang berusia muda bergerak ke arah luar ketika bilah memotong ke bawah, sehingga akan terbentuk potongan yang dangkal pada pagar tanaman.
- ◆ Waspadalah terhadap benda-benda asing. Terutama hindari benda-benda keras seperti kabel dan pagar logam, karena benda-benda ini dapat merusak bilah.
- ◆ Baluri bilah dengan minyak secara teratur.

Perawatan

Perkakas/peralatan berkabel/nirkabel Black & Decker Anda telah dirancang untuk tetap beroperasi selama jangka waktu yang lama dengan pemeliharaan minimum. Pengoperasian yang memuaskan secara terus-menerus bergantung pada cara pemeliharaan yang layak dan pembersihan perkakas secara teratur.

Peringatan! Sebelum melakukan perawatan peralatan apa pun pada perkakas listrik berkabel/nirkabel:

- ◆ Matikan dan lepaskan peralatan/perkakas dari sumber listrik.
- ◆ Atau, matikan dan lepaskan baterai dari peralatan/perkakas jika peralatan/perkakas memiliki kemasan baterai terpisah
- ◆ Atau, jika baterai terintegrasi, kosongkan baterai sama sekali, kemudian matikan.
- ◆ Lepaskan pengisi daya dari sumber listrik sebelum membersihkannya. Pengisi daya Anda tidak membutuhkan perawatan lain selain pembersihan secara berkala.
- ◆ Bersihkan celah-celah ventilasi peralatan/perkakas/pengisi daya Anda secara berkala menggunakan sikat lembut atau kain kering.
- ◆ Bersihkanlah kerangka motor secara teratur menggunakan lap lembap. Jangan gunakan bahan pembersih abrasif atau yang berbahan dasar pengencer jenis apa pun.
- ◆ Buka gagang secara berkala dan ketuk-ketuk untuk mengeluarkan debu dari bagian dalam perkakas (dalam posisi terpasang).
- ◆ Setelah digunakan, bersihkan bilah dengan hati-hati. etelah dibersihkan, oleskan lapisan tipis oli mesin ringan untuk mencegah agar pisau tidak berkarat.

Penyimpanan

Bila perkakas ini tidak akan digunakan selama beberapa bulan, idealnya biarkan baterai tetap tersambung dengan pengisi daya. Bila tidak, lakukan langkah-langkah berikut:

- ◆ Isi ulang daya baterai hingga penuh.

- ◆ Simpan perkakas di tempat yang aman dan kering. Suhu penyimpanan harus selalu berada dalam kisaran antara +10°C hingga +40°C.
- ◆ Sebelum menggunakan perkakas kembali setelah disimpan untuk jangka waktu yang lama, isi ulang daya baterai hingga penuh sekali lagi.

Melindungi lingkungan



Pengumpulan terpisah. Produk ini tidak boleh dibuang bersama limbah rumah tangga biasa.

Jika suatu hari produk Black & Decker Anda perlu diganti, atau sudah tidak digunakan lagi, jangan buang produk tersebut bersama sampah rumah tangga. Aturlah agar produk ini dapat dikumpulkan secara terpisah.



Mengumpulkan produk dan kemasan bekas secara terpisah akan membuat bahan-bahannya bisa didaur ulang dan digunakan kembali. Penggunaan kembali bahan yang didaur ulang akan membantu mencegah pencemaran lingkungan serta mengurangi kebutuhan akan bahan baku.

Peraturan setempat mengatur tentang tata cara pengumpulan produk elektronik rumah tangga secara terpisah di tempat pembuangan sampah kota, atau oleh pihak outlet penjualan saat Anda membeli produk yang baru.

Baterai



Daya baterai Black & Decker dapat diisi ulang hingga berkali-kali. Pada akhir masa pakainya, buang baterai dengan cara yang aman terhadap lingkungan:

Informasi Servis

Black & Decker memiliki suatu jaringan lokasi servis resmi milik perusahaan yang luas di seluruh wilayah Asia. Seluruh Pusat Servis Black & Decker didukung oleh staf yang terlatih guna memberikan layanan perkakas listrik yang efisien dan andal kepada konsumen.

Bila Anda membutuhkan nasihat teknis, perbaikan, atau suku cadang pengganti asli dari pabrik, hubungi lokasi Black & Decker terdekat.

CATATAN

- ◆ Black & Decker memiliki kebijakan untuk terus meningkatkan produk dan karenanya, kami berhak mengubah spesifikasi produk tanpa pemberitahuan sebelumnya.
- ◆ Perlengkapan dan aksesori standar mungkin beragam menurut negara.
- ◆ Spesifikasi produk mungkin berbeda menurut negara.
- ◆ ajaran produk lengkap mungkin tidak tersedia di semua negara. Hubungi Black & Decker setempat untuk mengetahui jajaran produk yang tersedia.

GSL700**เครื่องตัดเล็มพุ่มไม้****ข้อมูลทางเทคนิค**

		GSL700
แรงดันไฟฟ้า	โวลต์	7.0
ช่วงชักใบมีด (ไม่มีโหลด)	นาที่ ¹	850
ความยาวใบมีด (ตัด)	ซม.	10
ระยะห่างใบมีด (ตัด)	มม.	23
ความยาวใบมีด (เครื่องเล็ม)	ซม.	15
ระยะห่างใบมีด (เครื่องเล็ม)	มม.	8
ระยะเวลาหยุดใบมีด	วินาที	< 1
น้ำหนัก	กก.	0.65

เครื่องชาร์จ

แรงดันไฟเข้า	โวลต์	230
แรงดันไฟออก	โวลต์	10
กระแสไฟฟ้า	มิลลิแอมป์	120
ระยะเวลาชาร์จโดยประมาณ	ซม.	14
น้ำหนัก	กก.	0.15

วัตถุประสงค์ในการใช้งาน

เครื่องตัดเล็มพุ่มไม้ Black & Decker ได้รับการออกแบบมาสำหรับการตัดเล็มหญ้า กิ่งไม้ พุ่มไม้ และพุ่มไม้ที่มีหนาม เครื่องมือนี้มีวัตถุประสงค์เพื่อการใช้งานของผู้บริโภคเท่านั้น

เครื่องชาร์จ Black & Decker ได้รับการออกแบบมาเพื่อชาร์จแบตเตอรี่ของ Black & Decker ชนิดที่เข้ากับเครื่องมือนี้

คำแนะนำเพื่อความปลอดภัย**คำเตือนด้านความปลอดภัยสำหรับการใช้เครื่องมือไฟฟ้าทั่วไป**

คำเตือน! โปรดอ่านคำเตือนและข้อปฏิบัติเพื่อความปลอดภัยทั้งหมด การไม่ปฏิบัติตามคำเตือนและคำแนะนำเหล่านี้อาจทำให้ถูกไฟดูด เกิดเพลิงไหม้ และ/หรือบาดเจ็บสาหัสได้

โปรดเก็บรักษาคำเตือนและคำแนะนำนี้ไว้เพื่อการอ้างอิงในอนาคต คำว่า “เครื่องมือไฟฟ้า” ในคำเตือนทั้งหมดที่แสดงไว้ข้างล่าง หมายถึงเครื่องมือไฟฟ้า (แบบมีสาย) ที่ทำงานด้วยแหล่งจ่ายไฟหลัก หรือเครื่องมือไฟฟ้า (แบบไร้สาย) ที่ทำงานด้วยแบตเตอรี่

1. ความปลอดภัยในบริเวณที่ทำงาน

- ก) พื้นที่ทำงานจะต้องสะอาดและมีแสงสว่างเพียงพอ บริเวณที่คับแคบหรือมืดทำให้เกิดอุบัติเหตุได้

ข) ห้ามใช้เครื่องมือไฟฟ้าในบริเวณที่อาจเกิดการระเบิด เช่น ในสถานที่ที่มีช่องท่อน้ำมัน แก๊ส หรือฝุ่นผงที่มีคุณสมบัติไวไฟ เครื่องมือไฟฟ้าจะทำให้เกิดประกายไฟที่อาจทำให้เกิดลว่องไฟหรือเปลวไฟขึ้นได้

ค) ระวังไม่ให้เด็กเล็กและคนเดินผ่านไปมาเข้าใกล้ในขณะที่ใช้งานเครื่องมือไฟฟ้า สิ่งรอบขวอาจทำให้คุณเสียสมาธิได้

2. ความปลอดภัยทางไฟฟ้า

ก) ปลั๊กไฟของเครื่องต้องเป็นชนิดเดียวกับเต้ารับ ห้ามตัดแปลงปลั๊กไม่ว่าด้วยวิธีใด ห้ามใช้ตัวแปลงกับเครื่องมือไฟฟ้าที่ต่อสายดิน (ลงกราวด์) ปลั๊กที่ไม่มีการตัดแปลงและเต้ารับชนิดเดียวกันจะขจัดความเสี่ยงจากการถูกไฟดูด

ข) หลีกเลี่ยงการสัมผัสพื้นผิวที่ต่อสายดิน เช่น ท่อ หม้อน้ำ เต้าหุงต้ม และตู้เย็น มีความเสี่ยงเพิ่มขึ้นที่จะถูกไฟดูด หากร่างกายเป็นสื่อเชื่อมต่อกับดิน

ค) อย่าให้เครื่องมือไฟฟ้าถูกฝนหรือเปียกน้ำ น้ำที่เข้าเครื่องมือไฟฟ้าจะทำให้มีความเสี่ยงในการถูกไฟดูดเพิ่มขึ้น

ง) ห้ามใช้สายไฟผิดวัตถุประสงค์ ห้ามใช้สายไฟเพื่อหุงต้มหรือถอดปลั๊กเครื่องมือไฟฟ้า เก็บสายไฟให้พ้นจากความร้อน น้ำมัน ของมีคม หรือ ชิ้นส่วนที่กำลังเคลื่อนที่ สายไฟที่ชำรุดหรือพันกันเป็นการเพิ่มความเสี่ยงจากการถูกไฟดูด

จ) เมื่อใช้เครื่องมือไฟฟ้านอกอาคาร ให้ใช้สายต่อพ่วงที่เหมาะสมสำหรับการใช้งานนอกอาคาร ใช้สายไฟที่เหมาะสมสำหรับการใช้งานนอกอาคารจะขจัดความเสี่ยงในการถูกไฟดูด

ฉ) หากไม่สามารถหลีกเลี่ยงการใช้เครื่องมือไฟฟ้าในบริเวณที่ชื้นแฉะได้ ให้ใช้แหล่งจ่ายไฟที่มีการป้องกันด้วยอุปกรณ์ป้องกันไฟดูด (RCD) การใช้ RCD จะเป็นการลดความเสี่ยงจากการถูกไฟดูด

3. ความปลอดภัยส่วนบุคคล

ก) ดินตัวและมีสมรรถนะที่สึกกร่อนทำให้รวมทั้งใช้สามัญสำนึกในขณะที่กำลังใช้งานเครื่องมือไฟฟ้า ห้ามใช้เครื่องมือไฟฟ้าในขณะที่คุณกำลังเหนื่อยล้าหรือได้รับอิทธิพลจากยา แอลกอฮอล์ หรือการรับประทานยา การขาดความระมัดระวังในการใช้เครื่องมือไฟฟ้าแม้ชั่วขณะหนึ่งอาจทำให้บาดเจ็บสาหัสได้

ข) ใช้อุปกรณ์ป้องกันส่วนบุคคลสวมอุปกรณ์ป้องกันดวงตาเสมอ อุปกรณ์ป้องกัน เช่น หน้ากากกันฝุ่น รองเท้านิรภัยกันลื่น หมวกนิรภัย หรืออุปกรณ์ป้องกันเสียงดังสำหรับสภาพที่เหมาะสมจะช่วยลดการบาดเจ็บส่วนบุคคล

- ค) ป้องกันเครื่องทำงานโดยไม่ตั้งใจ สวิตช์ต้องอยู่ในตำแหน่งปิดก่อนเชื่อมต่อกับแหล่งจ่ายไฟ และ/หรือ ชุดแบตเตอรี่ หรือก่อนการยกหรือถือเครื่องมือ การยกเครื่องมือไฟฟ้าในขณะที่นิ้วอยู่ที่สวิตช์ หรือการชาร์จไฟเครื่องมือไฟฟ้าในขณะที่สวิตช์เปิดอยู่ อาจทำให้เกิดอุบัติเหตุได้
- ง) ถอดกุญแจปรับแต่งหรือประแจออกก่อนเปิดสวิตช์เครื่องมือไฟฟ้า ประแจหรือกุญแจที่เสียบค้างอยู่ในชิ้นส่วนที่หมุนได้ของเครื่องมือไฟฟ้าอาจทำให้ได้รับบาดเจ็บได้
- จ) ห้ามยืนเขย่งเท้าขณะใช้เครื่อง ควรยืนในท่าที่เหมาะสม และสมดุลตลอดเวลา เพื่อช่วยในการควบคุมเครื่องมือไฟฟ้าได้ดียิ่งขึ้นในสถานการณ์ที่ไม่คาดคิด
- ฉ) แต่งกายให้เหมาะสม ห้ามสวมเสื้อผ้าหลวมหรือใส่เครื่องประดับ รวบผม ชายเสื้อ และถุงมือให้ห่างจากชิ้นส่วนที่กำลังหมุน เสื้อผ้าที่หลวมหรือยาวรุ่มร่าม เครื่องประดับ หรือผมที่ยาวอาจเข้าไปพันกับชิ้นส่วนที่กำลังหมุน
- ช) หากมีอุปกรณ์สำหรับดูดและเก็บฝุ่น ต้องตรวจสอบให้แน่ใจว่าได้เชื่อมต่อและใช้งานอุปกรณ์นั้นอย่างเหมาะสม การใช้อุปกรณ์เก็บฝุ่นจะช่วยลดอันตรายที่เกี่ยวข้องกับฝุ่นได้
4. การใช้และการดูแลรักษาเครื่องมือไฟฟ้า
- ก) ห้ามมิใช้เครื่องมือไฟฟ้า เลือกใช้เครื่องมือไฟฟ้าที่ถูกต้องตรงกับการใช้งานของคุณ เครื่องมือไฟฟ้าที่ถูกต้องจะทำงานได้ดีกว่าและปลอดภัยกว่าตามขีดความสามารถของเครื่องมือที่ได้รับการออกแบบมา
- ข) ห้ามใช้เครื่องมือไฟฟ้าถ้าสวิตช์เปิดปิดเครื่องไม่ทำงาน เครื่องมือไฟฟ้าที่ไม่สามารถควบคุมผ่านสวิตช์ได้ ถือว่ามีอันตรายและต้องส่งซ่อม
- ค) ถอดปลั๊กของเครื่องมือไฟฟ้าออกจากแหล่งจ่ายไฟ และ/หรือ แบตเตอรี่ก่อนทำการปรับแต่ง เปลี่ยนอุปกรณ์เสริมหรือจัดเก็บ มาตรการเพื่อความปลอดภัยเชิงการป้องกันนี้จะช่วยลดความเสี่ยงในการเผลอเปิดเครื่องให้ทำงานโดยไม่ได้ตั้งใจ
- ง) เก็บเครื่องมือไฟฟ้าที่ไม่ใช้งานไว้ให้พ้นมือเด็ก และไม่อนุญาตให้บุคคลที่ไม่คุ้นเคยกับเครื่องมือไฟฟ้าหรือคำแนะนำเหล่านี้เป็นผู้ใช้เครื่องมือ เครื่องมือไฟฟ้าจะเป็นอันตรายหากอยู่ในมือผู้ใช้ที่ไม่มีความชำนาญ
- จ) บำรุงรักษาเครื่องมือไฟฟ้า ตรวจสอบส่วนที่บิดเบี้ยวและการติดตั้งในส่วนที่เคลื่อนที่ได้ ชิ้นส่วนที่แตกหักและสภาพอื่นๆ ที่อาจส่งผลกระทบต่อการทำงานของเครื่องมือไฟฟ้า หากชำรุดเสียหาย ให้ส่งซ่อมก่อนนำมาใช้ อุบัติเหตุมากมายเกิดจากเครื่องมือไฟฟ้าที่มีระบบการดูแลรักษาไม่เพียงพอ

- ฉ) เครื่องมือตัดต้องคมและสะอาดอยู่เสมอ เครื่องมือตัดที่ได้รับการดูแลรักษาอย่างถูกต้อง และมีขอบตัดคม จะมีปัญหาตัดขั้วน้อย และควบคุมได้ง่ายกว่า
- ช) ใช้เครื่องมือไฟฟ้า อุปกรณ์เสริม และดอกสว่าน เป็นต้นตามคำแนะนำสำหรับสิ่งเหล่านี้ โดยพิจารณาถึงสภาพการทำงานและงานที่ทำเป็นสำคัญ การใช้เครื่องมือไฟฟ้าทำงานอื่นนอกเหนือจากที่กำหนดไว้อาจทำให้เกิดอันตรายได้
5. การใช้และการดูแลรักษาแบตเตอรี่
- ก) ชาร์จแบตเตอรี่ด้วยเครื่องชาร์จที่ผู้ผลิตแนะนำเท่านั้น เครื่องชาร์จที่เหมาะสมกับก้อนแบตเตอรี่แบบหนึ่งอาจทำให้เกิดไฟไหม้ได้นำมาใช้ร่วมกับก้อนแบตเตอรี่อีกแบบหนึ่ง
- ข) ใช้เครื่องมือไฟฟ้าเฉพาะกับก้อนแบตเตอรี่ที่ออกแบบมาเป็นพิเศษเท่านั้น การใช้ก้อนแบตเตอรี่แบบอื่นอาจทำให้เกิดการบาดเจ็บหรือเกิดไฟไหม้ได้
- ค) เมื่อไม่ใช้ก้อนแบตเตอรี่ ให้เก็บออกห่างจากวัตถุอื่นๆ ที่เป็นโลหะ เช่น คลิปหนีบกระดาษ เเทรียมู กุญแจ เข็ม สกรูหรือวัตถุขนาดเล็กอื่นๆ ที่ทำจากโลหะที่อาจเชื่อมต่องจากขั้วหนึ่งไปอีกขั้วหนึ่ง การลัดวงจรบริเวณขั้วแบตเตอรี่อาจทำให้เกิดรอยไหม้หรือไฟไหม้ได้
- ง) เมื่ออยู่ภายใต้สภาวะที่ไม่เหมาะสมอาจมีของเหลวไหลออกมาจากแบตเตอรี่ ให้หลีกเลี่ยงการสัมผัสกับของเหลวนี้ หากสัมผัสกับของเหลวเข้าให้ล้างด้วยน้ำปริมาณมาก หากของเหลวกระเด็นเข้าตา ควรรีบไปพบแพทย์ ของเหลวที่ออกมาจากแบตเตอรี่อาจทำให้เกิดอาการระคายเคืองหรือรอยไหม้ได้
6. การบริการ
- ก) ให้ช่างซ่อมที่มีความเชี่ยวชาญเป็นผู้ซ่อมเครื่องมือและใช้ของไหลของแท่นั่น ซึ่งจะช่วยรับประกันได้ว่าเครื่องมือไฟฟ้ายังมีความปลอดภัยอยู่

คำเตือนเพื่อความปลอดภัยเพิ่มเติมสำหรับการใช้เครื่องมือไฟฟ้า



คำเตือน คำเตือนเพื่อความปลอดภัยเพิ่มเติมสำหรับเครื่องตัดเล็มฟุ่มไม้

- ◆ ระวังทุกส่วนของร่างกายให้อยู่ห่างจากใบมีดของเครื่องตัด ห้ามนำวัสดุที่ตัดออกหรือจับวัสดุที่จะตัดขณะที่มีใบมีดกำลังเคลื่อนที่ ตรวจสอบให้แน่ใจว่าสวิตช์ปิดอยู่ขณะที่นำวัสดุที่ตัดค้างอยู่ออก การขาดความระมัดระวังในการใช้เครื่องตัดเล็มฟุ่มไม้แม้ชั่วขณะหนึ่งอาจทำให้บาดเจ็บสาหัสได้

- ยกเครื่องตัดเล็มฟุ่มไม้ด้วยมือเมื่อใบมีดของเครื่องตัดหยุดแล้ว เมื่อจะขนส่งหรือจัดเก็บเครื่องตัดเล็มฟุ่มไม้ให้ใส่ฝาครอบอุปกรณ์ตัดทุกครั้ง การจัดการเครื่องตัดเล็มฟุ่มไม้ไม่อย่างเหมาะสมจะช่วยลดการบาดเจ็บที่อาจเกิดขึ้นจากใบมีดของเครื่องตัดได้
- เก็บสายไฟให้อยู่ห่างจากบริเวณที่ตัด ในระหว่างการทำงาน สายไฟอาจซ่อนอยู่ในฟุ่มไม้และอาจถูกใบมีดตัดโดยไม่ได้ตั้งใจ
- จับเครื่องมือไฟฟ้าโดยใช้พื้นผิวจับยึดที่หุ้มฉนวนเท่านั้น เนื่องจากใบมีดของเครื่องตัดอาจสัมผัสสายไฟที่ซ่อนอยู่ได้ ใบมีดของเครื่องตัดที่สัมผัสผืนสายไฟที่ “มีไฟฟ้า” อาจทำให้ส่วนที่เป็นโลหะที่จุดสัมผัสของเครื่องมือไฟฟ้า “มีไฟฟ้า” และทำให้ผู้ใช้เครื่องถูกไฟดูดได้
- วัตถุประสงค์ในการใช้งานได้อธิบายไว้ในคู่มือแนะนำการใช้งานฉบับนี้ การใช้งานอุปกรณ์เสริมหรืออุปกรณ์ต่อพ่วง หรือการใช้งานอื่นใดกับเครื่องมือนี้นอกเหนือจากที่ได้แนะนำไว้ในคู่มือการใช้งานนี้ อาจทำให้เกิดเสียงต่อการบาดเจ็บ และ/หรือความเสียหายต่อทรัพย์สินได้
- หากคุณไม่เคยใช้งานเครื่องตัดเล็มฟุ่มไม้มาก่อน ควรขอคำแนะนำการใช้งานจริงจากผู้ที่มีประสบการณ์ นอกเหนือจากการอ่านจากคู่มือเล่มนี้
- ห้ามจับใบมีดในขณะที่เครื่องกำลังทำงาน
- อย่าพยายามออกแรงดันใบมีดให้หยุดนิ่ง
- ห้ามวางเครื่องมือลงจนกว่าใบมีดจะหยุดนิ่ง
- ตรวจสอบใบมีดเป็นประจำเพื่อหาการชำรุดเสียหายและการสึกหรอ ห้ามใช้เครื่องมือเมื่อใบมีดชำรุดเสียหาย
- ใช้ความระมัดระวังเพื่อหลีกเลี่ยงวัตถุที่แข็ง (เช่น ลวดโลหะหรือรางโลหะ) ในขณะที่ตัดเล็ม หากเครื่องของคุณสัมผัสวัตถุดังกล่าวโดยไม่ได้ตั้งใจ ให้ปิดเครื่องทันทีแล้วตรวจหาการชำรุดเสียหายที่เกิดขึ้น
- หากเครื่องเริ่มสั่นผิดปกติ ให้ปิดสวิทช์เครื่องทันทีแล้วตรวจหาการชำรุดเสียหายที่เกิดขึ้น
- ถ้าเครื่องดับ ให้ปิดสวิทช์เครื่องทันที
- หลังจากการใช้งาน ให้ใส่ปลอกหุ้มใบมีดครอบใบมีดจัดเก็บเครื่องมือ และตรวจสอบให้แน่ใจว่าใบมีดไม่โผล่ออกมา
- ตรวจสอบให้แน่ใจทุกครั้งว่าได้ใส่ตัวครอบป้องกันทั้งหมดแล้วเมื่อจะใช้เครื่อง อย่าพยายามใช้เครื่องมือที่ไม่สมบูรณ์หรือเครื่องที่มีการดัดแปลงโดยไม่ได้รับอนุญาต
- อย่าให้เด็กใช้เครื่อง
- ระวังเศษกิ่งไม้ที่ตกลงมาขณะตัดฟุ่มไม้ด้านที่สูงขึ้น



คำเตือน! คำเตือนเพื่อความปลอดภัยเพิ่มเติมสำหรับเครื่องตัด

- อย่าให้บุคคลที่ไม่คุ้นเคยกับคำแนะนำเหล่านี้หรือเด็กใช้งานเครื่องนี้ กฎระเบียบในแต่ละประเทศอาจจำกัดอายุของผู้ใช้เครื่อง
- ระลึกไว้เสมอว่าผู้ใช้เครื่องหรือผู้ใช้งานเป็นผู้รับผิดชอบต่ออุบัติเหตุหรืออันตรายที่เกิดขึ้นกับบุคคลอื่นหรือทรัพย์สินของบุคคลอื่น
- ห้ามใช้งานเครื่องใกล้บุคคลอื่นโดยเฉพาะเด็กเล็กหรือสัตว์เลี้ยง
- ใช้งานเครื่องเฉพาะในเวลากลางวันหรือมีแสงสว่างจากไฟที่เพียงพอเท่านั้น
- ตรวจสอบให้แน่ใจทุกครั้งว่าช่องระบายอากาศไม่มีเศษวัสดุกีดขวาง
- ใช้เฉพาะชิ้นส่วนอะไหล่และอุปกรณ์เสริมที่ผู้ผลิตแนะนำเท่านั้น
- ตรวจสอบและบำรุงรักษาเครื่องจักรเป็นประจำ ให้นำเครื่องไปทำการซ่อมโดยตัวแทนซ่อมที่ได้รับการรับรองเท่านั้น

ความปลอดภัยของบุคคลอื่น

- เครื่องมือนี้ไม่ได้มีไว้เพื่อการใช้งานโดยบุคคล (ซึ่งรวมถึงผู้เยาว์) ที่มีความสามารถทางกายภาพ ความสามารถทางการรับรู้ หรือความสามารถทางสมองบกพร่อง หรือบุคคลซึ่งขาดประสบการณ์และความรู้ เว้นเสียแต่จะได้รับการควบคุมดูแลหรือคำแนะนำการใช้งานเครื่องมาจากผู้รับผิดชอบความปลอดภัยของบุคคลเหล่านั้น
- เด็กต้องได้รับการดูแลเพื่อให้แน่ใจว่าเด็กจะไม่เล่นเครื่องมือ

ป้ายสัญลักษณ์บนอุปกรณ์

รูปภาพต่อไปนี้จะไม่ปรากฏบนเครื่องมือ:



คำเตือน! เพื่อลดความเสี่ยงต่อการบาดเจ็บ ผู้ใช้ต้องอ่านคู่มือการใช้งานเล่มนี้



สวมแว่นตาหรือหน้ากากป้องกันขณะใช้งานเครื่องมือนี้



อย่าให้เครื่องมือถูกฝนหรือได้รับความชื้นสูง



ระวังใบมีดที่คม ใบมีดจะยังคงเคลื่อนที่ได้อยู่หลังจากปิดสวิทช์มอเตอร์



ระวังวัตถุปลิว ระวังคนเดินผ่านไปมาเข้าใกล้

คำเตือนเพื่อความปลอดภัยเพิ่มเติม
สำหรับการใช้เครื่องมือไฟฟ้า

คำแนะนำเพื่อความปลอดภัยเพิ่มเติม สำหรับแบตเตอรี่และเครื่องชาร์จ

แบตเตอรี่

- ◆ ห้ามพยายามแกะตัวแบตเตอรี่ในทุกกรณี
- ◆ อย่าให้แบตเตอรี่สัมผัสน้ำ
- ◆ ห้ามเก็บแบตเตอรี่ในสถานที่ที่อุณหภูมิอาจสูงเกิน 40 °C
- ◆ ชาร์จแบตเตอรี่ที่อุณหภูมิห้องระหว่าง 10 °C ถึง 40 °C เท่านั้น
- ◆ ชาร์จแบตเตอรี่ด้วยเครื่องชาร์จที่ให้มาพร้อมอุปกรณ์/เครื่องเท่านั้น การใช้เครื่องชาร์จที่ไม่ถูกต้องอาจทำให้เกิดไฟดูดหรือทำให้แบตเตอรี่ร้อนจัดได้
- ◆ เมื่อจะทิ้งแบตเตอรี่ ให้ทำตามคำแนะนำในส่วน “การปกป้องสิ่งแวดล้อม”
- ◆ อย่าทำให้แบตเตอรี่ชาร์จหรือปิดเบียดด้วยการเจาะหรือการทุบ มิฉะนั้นอาจทำให้เกิดความเสี่ยงจากการบาดเจ็บและเพลิงไหม้ได้
- ◆ ห้ามชาร์จแบตเตอรี่ที่ชาร์จ
- ◆ ในสภาพที่หนักที่สุดอาจเกิดการรั่วของแบตเตอรี่ได้ เมื่อคุณสังเกตเห็นของเหลวบนแบตเตอรี่ ให้ใช้ผ้าเช็ดของเหลวออกอย่างระมัดระวัง หลีกเลี่ยงการสัมผัสลูกบิดหนัง
- ◆ ในกรณีที่สัมผัสลูกบิดหนังหรือดวงตา ให้ปฏิบัติตามคำแนะนำด้านล่าง

คำเตือน! ของเหลวจากแบตเตอรี่อาจทำให้เกิดการบาดเจ็บหรือความเสียหายต่อทรัพย์สิน ในกรณีที่สัมผัสลูกบิดหนัง ให้รีบล้างออกด้วยน้ำ ถ้าผิวหนังเป็นรอยแดง แสบ หรือระคายเคือง ให้รีบพบแพทย์ ในกรณีที่สัมผัสลูกบิดหนัง ให้รีบล้างออกด้วยน้ำสะอาดและไปพบแพทย์

เครื่องชาร์จ

เครื่องชาร์จของคุณได้รับการออกแบบมาสำหรับแรงดันไฟฟ้าที่กำหนดไว้โดยเฉพาะ ต้องตรวจสอบกำลังไฟเพื่อให้ตรงกับแรงดันไฟฟ้าบนแผ่นแสดงที่กักเสมอ

คำเตือน! ห้ามเปลี่ยนสายปลั๊กไฟของเครื่องชาร์จเป็นสายปลั๊กไฟธรรมดาโดยเด็ดขาด

- ◆ ใช้เครื่องชาร์จ Black & Decker เพื่อชาร์จแบตเตอรี่ภายในเครื่องที่ให้มาพร้อมกันเท่านั้น การชาร์จแบตเตอรี่ชนิดอื่นๆ อาจทำให้แบตเตอรี่ระเบิดและเกิดการบาดเจ็บและความเสียหายได้
- ◆ ห้ามชาร์จแบตเตอรี่ชนิดชาร์จซ้ำไม่ได้
- ◆ ถ้าสายไฟของตัวเครื่องชาร์จเสียหาย ต้องได้รับการเปลี่ยน

โดยผู้ผลิตหรือศูนย์บริการของ Black & Decker ที่ได้รับอนุญาตเพื่อหลีกเลี่ยงอันตรายที่อาจเกิดขึ้นได้

- ◆ อย่าให้เครื่องชาร์จสัมผัสน้ำ
- ◆ ห้ามแกะเปิดเครื่องชาร์จ
- ◆ ห้ามใช้สิ่งใดเหย้าเข้าไปในตัวเครื่องชาร์จ
- ◆ ต้องวางอุปกรณ์/เครื่องชาร์จ/แบตเตอรี่ไว้ในบริเวณที่มีกระยาอากาศเป็นอย่างดีในขณะที่ชาร์จ



เครื่องชาร์จนี้มีวัตถุระเบิดสูงเพื่อการใช้งานในที่ร่มเท่านั้น



โปรดอ่านคู่มือการใช้งานก่อนใช้เครื่อง



เครื่องชาร์จจะปิดโดยอัตโนมัติ ถ้าหากอุณหภูมิแวดล้อมสูงเกินไป พื้นที่ที่อุณหภูมิแวดล้อมเย็นลง เครื่องชาร์จจะกลับมาทำงานอีกครั้ง



หม้อแปลงเต้าแบบมีอุปกรณ์ป้องกัน แหล่งจ่ายไฟหลักถูกแยกออกจากไฟออกของหม้อแปลงด้วยระบบอิเล็กทรอนิกส์

ความปลอดภัยทางไฟฟ้า



เครื่องมือนี้มีฉนวนสองชั้น ดังนั้นจึงไม่จำเป็นต้องต่อสายดิน ต้องตรวจสอบกำลังไฟเพื่อให้ตรงกับแรงดันไฟฟ้าบนแผ่นแสดงที่กักเสมอ

- ◆ ถ้าสายไฟของตัวเครื่องชาร์จเสียหาย ต้องได้รับการเปลี่ยนโดยผู้ผลิตหรือศูนย์บริการของ Black & Decker ที่ได้รับอนุญาตเพื่อหลีกเลี่ยงอันตรายที่อาจเกิดขึ้นได้
- ◆ **คำเตือน!** ห้ามเปลี่ยนสายปลั๊กไฟของเครื่องชาร์จเป็นสายปลั๊กไฟธรรมดาโดยเด็ดขาด

ส่วนประกอบสำคัญ

1. สวิตช์เปิด/ปิด
2. ปุ่มล็อค (OFF)
3. ปุ่มปลดล็อคใบมีด
4. ใบมีดตัด
5. ใบมีดเล็ม
6. ไฟแสดงสถานะการชาร์จ

การประกอบ

คำเตือน! หลีกเลี่ยงการเปิดสวิตช์เครื่องโดยไม่ตั้งใจ ในระหว่างการประกอบ

การติดตั้งแทนยึดบนผนังเข้ากับผนัง (รูป A และ B)

แทนยึดบนผนังสามารถติดตั้งเข้ากับผนังเพื่อให้มีการจัดเก็บที่สะดวกและมีจุดชาร์จสำหรับเครื่องมือ

- ◆ ขันสกรูเข้าในผนังผ่านรูในร่องของแทนยึดบนผนัง
- ◆ วางเครื่องบนแทนยึดบนผนัง
- ◆ เสียบปลั๊กเครื่องชาร์จ โดยตรวจสอบให้แน่ใจว่าไฟแสดงสถานะการชาร์จ (6) ติดสว่างขึ้น (รูป A)
- ◆ ถ้าจำเป็น ใช้หมุดสองตัว (7) ใต้แทนยึดบนผนังเพื่อเก็บใบมีดสำรอง (รูป B)

คำเตือน! หลีกเลี่ยงการทำให้สายไฟชำรุดเสียหายเมื่อจะติดตั้งแทนยึดเข้ากับผนัง

การถอดปลั๊กเครื่องชาร์จออกจากแทนยึดบนผนัง (รูป C)

เครื่องนี้สามารถชาร์จได้โดยไม่ต้องใช้แทนยึดบนผนัง ปลั๊กเครื่องชาร์จสามารถเชื่อมต่อเข้ากับเครื่องได้โดยตรง

- ◆ ถอดสกรูออกจากด้านหลังของแทนยึดบนผนัง
- ◆ เลื่อนส่วนหลัง (8) ออกจากส่วนหน้า (9) เพื่อเปิดแทนยึดบนผนัง
- ◆ ถอดปลั๊กเครื่องชาร์จออกจากแทนยึดบนผนัง

การใส่และถอดใบมีด (รูป D และ E)

ใบมีดตัด (4) ได้รับการออกแบบมาสำหรับการตัดเล็มหญ้า และวัชพืช ใบมีดเล็ม (5) ออกแบบมาสำหรับการตัดเล็มกิ่งไม้ และพุ่มไม้

- ◆ ถอดฝาครอบใบมีด
- ◆ กดปุ่มปลดล๊อคใบมีด (3) ค้างไว้ตามทิศทางของลูกศร (รูป D1)
- ◆ เลื่อนฝาครอบใบมีด (10) ถอยหลังและปลดออก (รูป D2)
- ◆ ดึงใบมีดลงตามสลัก
- ◆ ในขณะที่จับยึดใบมีดบนสลัก (รูป E1) ให้เปลี่ยนฝาครอบใบมีด (10) และเลื่อนฝาครอบไปข้างหน้า (รูป E2)

หมายเหตุ: ไม่จำเป็นต้องทำการปรับแนวใบมีดกับสลักจับ และไม่จำเป็นต้องมีการล้างงานปุ่มปลดล๊อคฝาครอบใบมีด ขณะที่ใส่ฝาครอบใบมีดกลับเข้าที่

การใช้งาน

คำเตือน! ปล่อยให้เครื่องมือทำงานตามความเร็วของเครื่อง ห้ามใช้งานเกินโหลดที่เหมาะสม

การชาร์จแบตเตอรี่

แบตเตอรี่ต้องการการชาร์จไฟก่อนการใช้งานครั้งแรกและทุกครั้งเมื่อแบตเตอรี่ไม่สามารถจ่ายพลังงานได้เพียงพอสำหรับ

งานที่เคยทำได้โดยง่าย ในการชาร์จแบตเตอรี่เป็นครั้งแรก หรือหลังจากเก็บแบตเตอรี่ไว้เป็นเวลานาน แบตเตอรี่จะสามารถรับได้เพียง 80% ของการชาร์จ หลังจากชาร์จแบตเตอรี่และนำมาใช้งานหลายๆ ครั้ง แบตเตอรี่จะสามารถรับได้เต็มประสิทธิภาพ แบตเตอรี่อาจอยู่ในขั้นระหว่างการชาร์จ ซึ่งถือเป็นเรื่องปกติและไม่ใช้ตัวบ่งชี้การผิดปกติ

คำเตือน! ห้ามชาร์จแบตเตอรี่ในอุณหภูมิห้องที่ต่ำกว่า 10 °C หรือสูงกว่า 40 °C อุณหภูมิการชาร์จที่แนะนำ: ประมาณ 24 °C

การต่อเครื่องมือกับเครื่องชาร์จนั้นสามารถปล่อยให้เชื่อมต่อได้ไม่จำกัดเวลา เพื่อขยายอายุการใช้งานของแบตเตอรี่สูงสุด ขอแนะนำให้เชื่อมต่อแบตเตอรี่เข้ากับเครื่องชาร์จตลอดเวลาเมื่อไม่ได้ใช้งานเครื่องมือ เมื่อแบตเตอรี่เต็ม ความสิ้นเปลืองกำลังไฟของเครื่องชาร์จจะต่ำมาก

การชาร์จบนแทนยึดบนผนัง (รูป F)

- ◆ วางเครื่องบนแทนยึดบนผนัง (11)
- ◆ เสียบปลั๊กเครื่องชาร์จ

การชาร์จด้วยปลั๊กเครื่องชาร์จ (รูป G)

ปลั๊กเครื่องชาร์จได้รับการออกแบบมาให้มีล๊อคป้องกันจากภายนอกเพื่อป้องกันการใช้งานเครื่องชาร์จที่ไม่ถูกต้อง

- ◆ เสียบปลั๊กเครื่องชาร์จ (12) เข้ากับช่องต่อเครื่องชาร์จที่ด้านหลังของเครื่อง
- ◆ เสียบปลั๊กเครื่องชาร์จ

การชาร์จแบตเตอรี่

- ◆ ชาร์จแบตเตอรี่

เมื่อแบตเตอรี่กำลังชาร์จ ไฟแสดงสถานะการชาร์จ (6) จะกะพริบ ไฟแสดงสถานะการชาร์จจะหยุดกะพริบ เมื่อการชาร์จเสร็จสมบูรณ์ ไฟแสดงสถานะการชาร์จจะกะพริบอย่างรวดเร็วเพื่อแสดงว่ามีปัญหาการชาร์จ เมื่อมีปัญหาการชาร์จเกิดขึ้น ให้เชื่อมต่อเครื่องเข้ากับปลั๊กเครื่องชาร์จโดยตรงโดยการถอดแทนยึดบนผนังออก ถ้าปัญหาการชาร์จยังคงเกิดขึ้น ให้ถอดสายเครื่องชาร์จออกจากแหล่งจ่ายไฟหลัก และนำส่งซ่อมที่ศูนย์บริการที่ได้รับการรับรอง

การเปิดและปิดสวิตช์ (ภาพ H)**การเปิดสวิตช์**

- ◆ กดปุ่มล๊อค (2) ค้างไว้ไปทางขวาหรือไปทางซ้าย จากนั้นบีบสวิตช์เปิด/ปิด (1)
- ◆ ปล่อยให้ปุ่มล๊อค (OFF)

การปิดสวิตช์

- ◆ ปลดสวิตช์เปิด/ปิด (1)

คำเตือน! อย่าพยายามลือคสวิตช์ไว้ในตำแหน่ง ON

ข้อแนะนำเพื่อให้งานใช้งานเหมาะสมที่สุด (รูป I และ J)

- ◆ ฉีดพ่นใบมีดด้วยน้ำมันหล่อลื่นอะเนกประสงค์เพียงบางๆ ก่อนใช้งานครั้งแรก และเมื่อใดก็ตามที่ใบมีดเริ่มมีลักษณะแห้ง

การตัดเล็มหญ้า

- ◆ เพื่อให้ได้ผลลัพธ์การตัดที่ดีที่สุด ให้ตัดเฉพาะหญ้าที่ไม่เปียกและเท่านั้น
- ◆ จับเครื่องตั้งแสดงในรูป I ให้มืออีกข้างหนึ่งของคุณอยู่ห่างจากใบมีด รักษาตำแหน่งการทำงานที่มั่นคงเพื่อไม่ให้เกิดการลื่นไถล ห้ามยืนเขย่งเท้าขณะใช้เครื่อง
- ◆ เมื่อจะตัดหญ้าที่ยาว ให้ทำงานเป็นชั้นๆ จากระดับสูงสุดที่ตัดทีละน้อยหลายๆ ครั้ง
- ◆ ให้เครื่องอยู่ห่างจากวัตถุของแข็งและต้นไม้ที่ตัดยาก
- ◆ ถ้าเครื่องเริ่มทำงานช้าลง ให้ลดโหลดลง
- ◆ หากต้องการตัดให้ใกล้ขึ้น ให้เอียงเครื่องเล็กน้อย

การตัดเล็มพุ่มไม้

- ◆ เอียงเครื่องเล็กน้อย ได้ถึง 15° เทียบกับแนวตัด เพื่อให้ปลายใบมีดชี้ไปทางพุ่มไม้เล็กน้อย (รูป J) ซึ่งจะช่วยให้ใบมีดตัดได้อย่างมีประสิทธิภาพมากขึ้น
- ◆ เริ่มด้วยการตัดเล็มปลายของพุ่มไม้ จับเครื่องให้ได้มุมที่ต้องการแล้วย้ายเครื่องไปตามแนวตัดอย่างสม่ำเสมอ ใบมีดสองด้านช่วยให้คุณตัดในทิศทางใดก็ได้
- ◆ เพื่อให้ได้แนวการตัดที่ตรงมากขึ้น ให้ซึ่งเชือกตามแนวยาวของพุ่มไม้ในระดับความสูงที่ต้องการ ใช้เส้นเชือกเป็นตัวบอกแนวโดยตัดเหนือเส้นเชือกเล็กน้อย
- ◆ เพื่อให้ด้านข้างเรียบ ให้ตัดขึ้นตามทิศทางการเติบโตของพืช เมื่อใบมีดตัดลง ต้นอ่อนจะหลุดออกมาและทำให้เกิดหย่อมต้นขึ้นในพุ่มไม้
- ◆ ใช้ความระมัดระวังเพื่อหลีกเลี่ยงสิ่งแปลกปลอมต่างๆ หลีกเลี่ยงวัตถุที่แข็งเป็นพิเศษ เช่น ลวดโลหะและรางโลหะ เนื่องจากสิ่งเหล่านี้อาจทำให้ใบมีดชำรุดเสียหายได้
- ◆ หล่อลื่นใบมีดเป็นประจำ

การบำรุงรักษา

เครื่องมือแบบมีสาย/ไร้สายของ Black & Decker ได้รับการออกแบบมาเพื่อให้สามารถใช้งานได้อย่างต่อเนื่องโดยมี

การบำรุงรักษาที่ดีที่สุด การทำงานในระดับที่สร้างความพึงพอใจได้อย่างต่อเนื่องจะขึ้นอยู่กับการดูแลรักษาเครื่องมือที่เหมาะสมและการทำความสะอาดอย่างสม่ำเสมอ

คำเตือน! ก่อนทำการบำรุงรักษาเครื่องมือไฟฟ้าแบบมีสาย/ไร้สาย จะต้อง:

- ◆ ปิดสวิตช์และถอดปลั๊กเครื่องมือ
- ◆ หรือปิดสวิตช์และถอดแบตเตอรี่ออกจากเครื่องมือ ถ้าเครื่องมือมีชุดแบตเตอรี่แยกต่างหาก
- ◆ หรือใช้แบตเตอรี่จนหมดถ้าแบตเตอรี่อยู่รวมกับเครื่อง จากนั้นให้ปิดสวิตช์
- ◆ ถอดปลั๊กเครื่องชาร์จออกก่อนจะทำความสะอาด เครื่องชาร์จไม่ต้องการการดูแลพิเศษอื่นใดนอกเหนือจากการทำความสะอาดเป็นประจำ
- ◆ ทำความสะอาดช่องระบายอากาศในเครื่องมือและเครื่องชาร์จของคุณเป็นประจำโดยใช้แปรงขนอ่อนหรือผ้าแห้ง
- ◆ ทำความสะอาดตัวมอเตอร์เป็นประจำโดยใช้ผ้าชุบน้ำหมาดๆ ห้ามใช้น้ำยาทำความสะอาดที่มีฤทธิ์กัดกร่อนหรือมีส่วนผสมของตัวทำละลาย
- ◆ เปิดตัวจับดอกสว่านออกมาเคาะเป็นประจำเพื่อกำจัดฝุ่นที่ติดอยู่ในตัวจับ (ในขณะติดตั้ง)
- ◆ หลังจากการใช้งาน ให้ทำความสะอาดใบมีดอย่างระมัดระวัง หลังจากการทำความสะอาด ให้ทาน้ำมันเครื่องจักรบางๆ เพื่อป้องกันใบมีดเป็นสนิม

การเก็บรักษา

เมื่อไม่มีการใช้งานเครื่องเป็นเวลาหลายเดือน วิธีที่ดีที่สุดคือให้เชื่อมต่อแบตเตอรี่เข้ากับเครื่องชาร์จไว้ตลอดเวลา หรือทำตามขั้นตอนดังนี้:

- ◆ ชาร์จแบตเตอรี่จนเต็ม
- ◆ เก็บเครื่องไว้ในที่แห้งและปลอดภัย อุณหภูมิการเก็บรักษาต้องอยู่ในช่วง +10 °C ถึง +40 °C เสมอ
- ◆ ก่อนใช้งานเครื่องหลังจากการจัดเก็บมาเป็นเวลานาน ให้ชาร์จแบตเตอรี่จนเต็มอีกครั้ง

การปกป้องสิ่งแวดล้อม

การเก็บรวบรวมแบบคัดแยก ห้ามทิ้งผลิตภัณฑ์นี้ร่วมกับขยะในครัวเรือนปกติ

หากวันหนึ่งคุณพบว่า จำเป็นต้องเปลี่ยนผลิตภัณฑ์ Black & Decker ของคุณ หรือถ้าเครื่องมือนี้ไม่เป็นประโยชน์สำหรับคุณอีกต่อไป อย่าทิ้งผลิตภัณฑ์นี้ร่วมกับขยะในครัวเรือน โปรดจัดการกับผลิตภัณฑ์นี้เพื่อการเก็บรวบรวมแบบคัดแยก



การเก็บรวบรวมแบบคัดแยกสำหรับบรรจุภัณฑ์และผลิตภัณฑ์ที่ใช้แล้วทำให้สามารถรีไซเคิลวัสดุและนำมาใช้งานได้อีกครั้ง การนำวัสดุรีไซเคิลมาใช้ใหม่จะช่วยป้องกันมลพิษต่อสิ่งแวดล้อมและลดความต้องการวัสดุ

ตามกฎหมายเทียบท้องถิ่นอาจมีการจัดเตรียมสถานที่สำหรับการเก็บรวบรวมแบบคัดแยกอุปกรณ์ไฟฟ้าที่ใช้ภายในครัวเรือนไว้ ณ แหล่งรับขยะของเทศบาล หรืออาจมีการรับอุปกรณ์ใช้แล้วจากผู้ค้าปลีกในกรณีที่คุณซื้อผลิตภัณฑ์ชิ้นใหม่

แบตเตอรี่



แบตเตอรี่ของ Black & Decker สามารถชาร์จซ้ำได้หลายครั้ง เมื่อแบตเตอรี่หมดอายุการใช้งานแล้วให้นำแบตเตอรี่ไปกำจัดทิ้งโดยคำนึงถึงผลกระทบต่อสิ่งแวดล้อม

ข้อมูลการบริการ

Black & Decker ให้บริการเครือข่ายศูนย์บริการของบริษัทเองและศูนย์ฯ ที่ได้รับการรับรองเต็มรูปแบบทั่วทั้งทวีปเอเชีย ศูนย์บริการ Black & Decker ทุกแห่งมีพนักงานที่ผ่านการฝึกอบรมเพื่อให้บริการเกี่ยวกับเครื่องมือไฟฟ้าได้อย่างมีประสิทธิภาพและเชื่อถือได้

ไม่ว่าคุณจะต้องการคำแนะนำด้านเทคนิค การซ่อมแซม หรืออะไหล่จากโรงงาน โปรดติดต่อศูนย์ Black & Decker ใกล้บ้านคุณ

หมายเหตุ

- ◆ เนื่องจาก Black & Decker มินโยบายพัฒนาปรับปรุงผลิตภัณฑ์อย่างต่อเนื่อง ดังนั้น เราจึงขอสงวนสิทธิ์ในการเปลี่ยนแปลงข้อมูลจำเพาะของผลิตภัณฑ์โดยไม่แจ้งให้ทราบล่วงหน้า
- ◆ อุปกรณ์มาตรฐานและอุปกรณ์เสริมอาจแตกต่างกันในแต่ละประเทศ
- ◆ ข้อมูลจำเพาะของผลิตภัณฑ์อาจแตกต่างกันในแต่ละประเทศ
- ◆ ตัวเลือกผลิตภัณฑ์อาจมีจำหน่ายไม่ครบทุกรายการในบางประเทศ โปรดสอบถามตัวเลือกผลิตภัณฑ์จากตัวแทนจำหน่ายของ Black & Decker ในประเทศของคุณ

