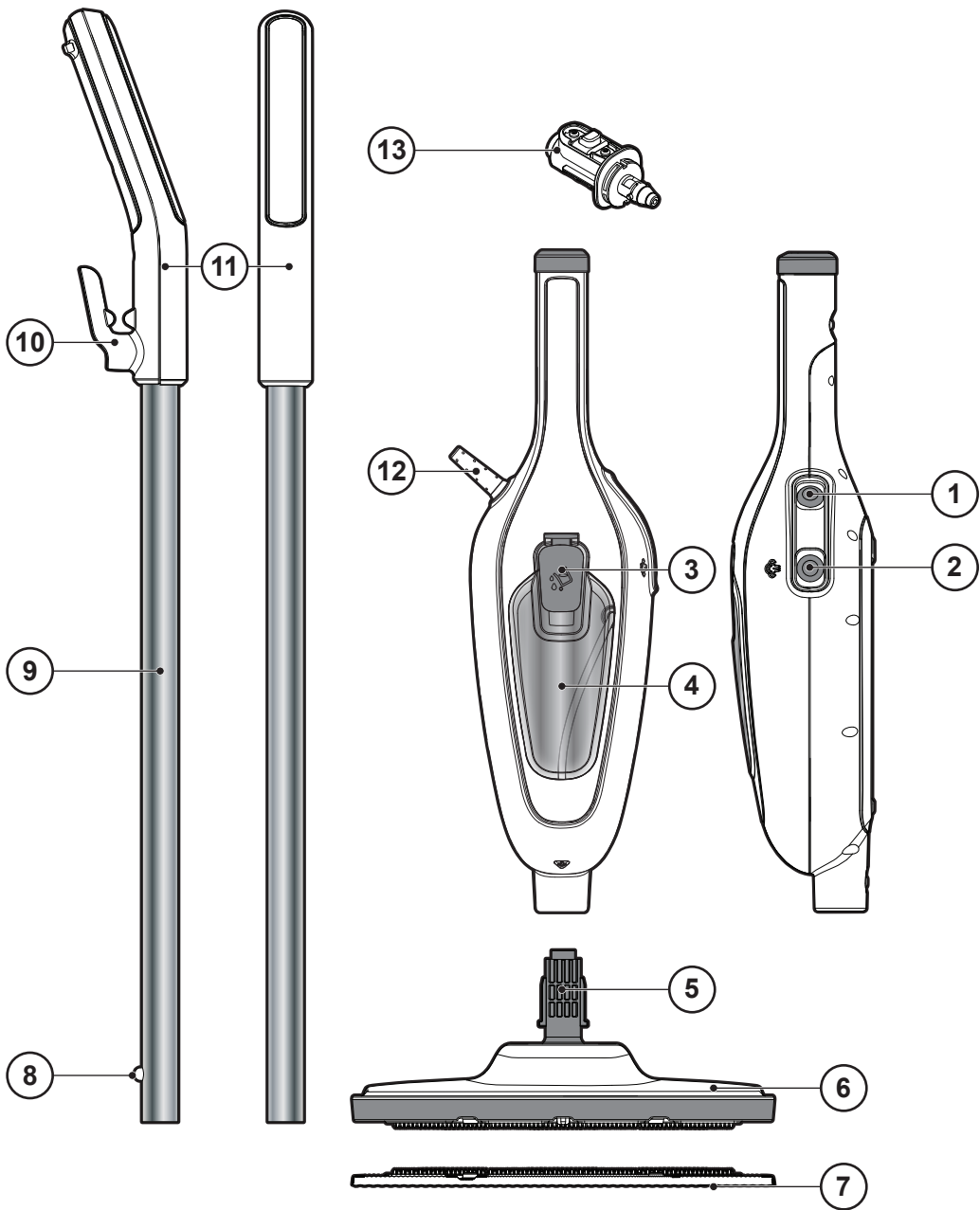


www.blackanddecker.com

FSMH13E5
FSMH13E10

ENGLISH	5
Bahasa Indonesia	9
ภาษาไทย	13
TIẾNG VIỆT	17



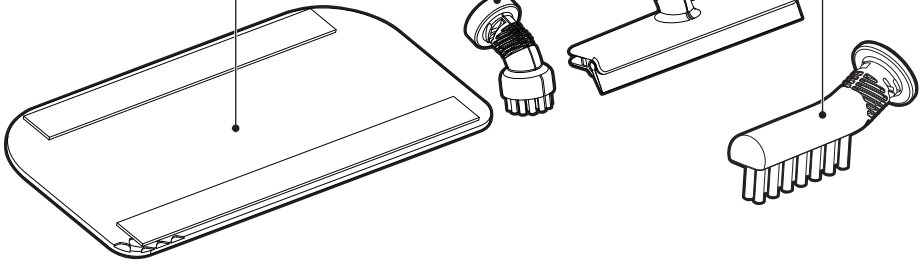
FSMHI3E5

7

14

15

16



A

FSMHI3E10

7

17

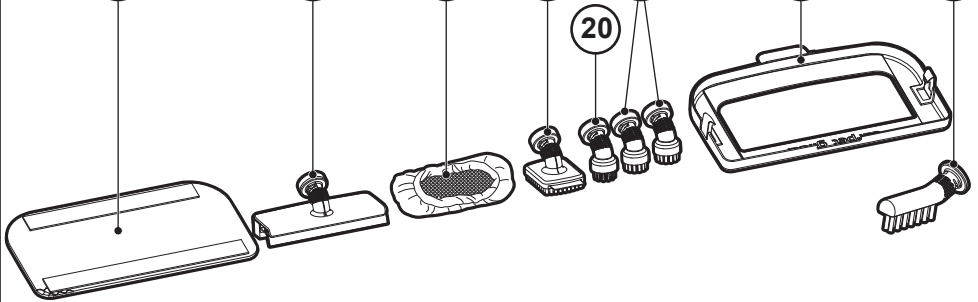
18

19

21

22

16



B

8

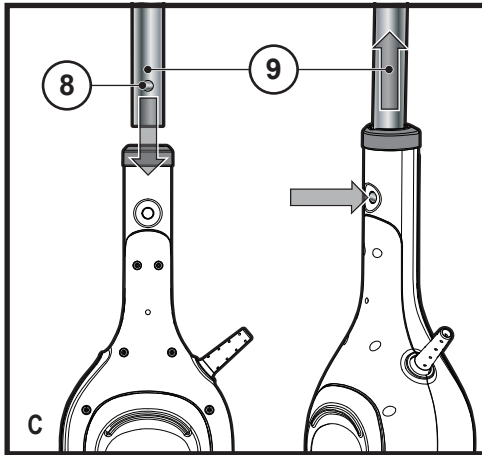
9

5b

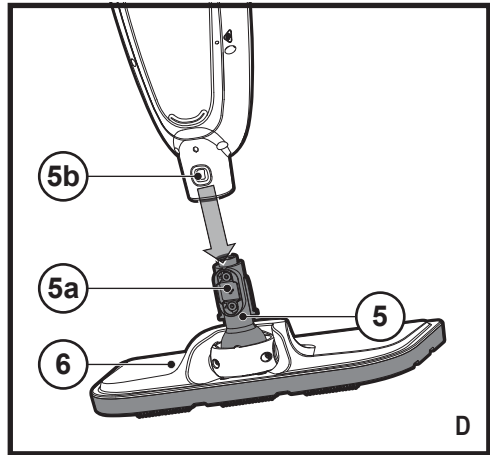
5a

6

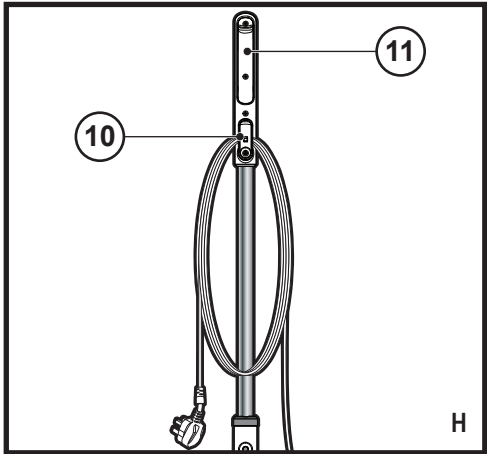
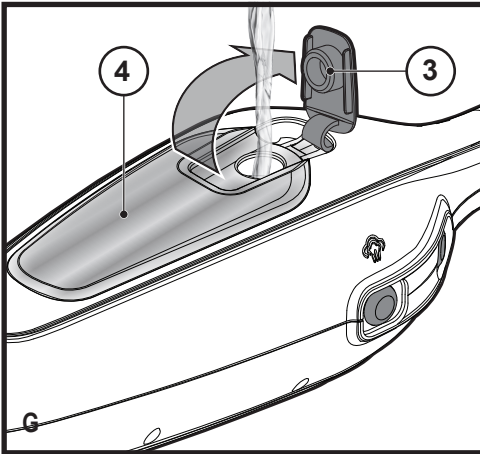
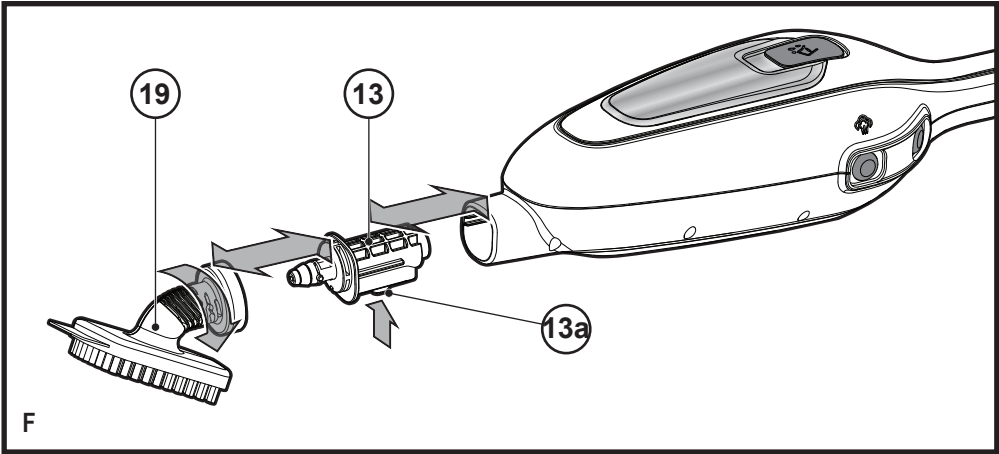
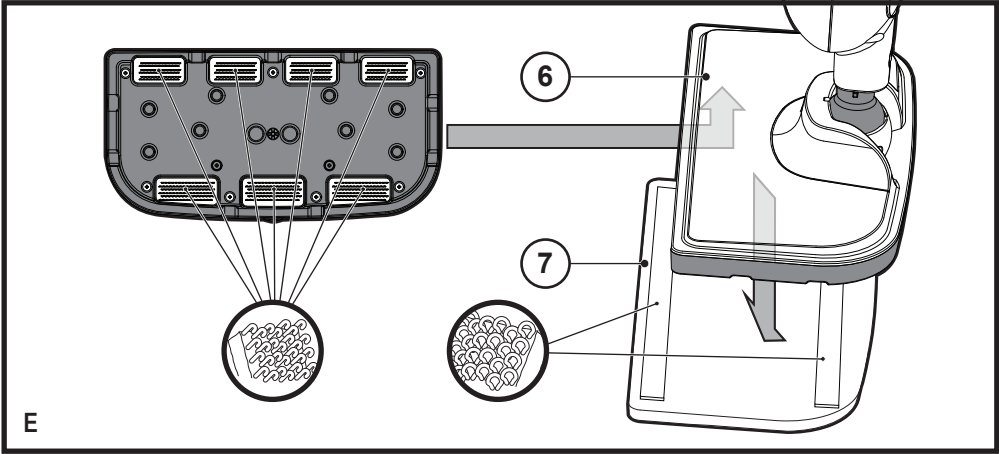
5



C



D



Intended use

Your BLACK+DECKER™ FSMH13E5, FSMH13E10 steam mop has been designed for sanitising and cleaning sealed hardwood, sealed laminate, linoleum, vinyl, ceramic tile, stone and marble floors. This appliance is intended for indoor household use only.

Safety Instructions



Warning! Read all Safety, Maintenance, Service' manual carefully before operating this appliance. Read all of this manual carefully before operating this appliance.

Safety of others

- ◆ This appliance can be used by children aged from 8 years and above and persons with reduced physical, sensory or mental capabilities or lack of experience and knowledge if they have been given supervision or instruction concerning use of the appliance in a safe way and understand the hazards involved.
- ◆ Children shall not play with the appliance. Cleaning and user maintenance shall not be made by children without supervision.
- ◆ If the supply cord is damaged, it must be replaced by the manufacturer, its service agent or similarly qualified persons in order to avoid a hazard.
- ◆ The plug must be removed from the socket-outlet before cleaning or maintaining the appliance.
- ◆ The liquid or steam must not be directed towards equipment containing electrical components, such as the interior of ovens.
- ◆ The appliance shall not be left unattended while it is connected to the supply mains;

- ◆ The appliance is not to be used if it has been dropped, if there are visible signs of damage or if it is leaking;
- ◆ Keep the appliance out of reach of children when it is energized or cooling down.

Labels on appliance

The following pictograms along with the date code are shown on the appliance.



CAUTION Hot Steam

Features

1. On/off switch
2. Steam operate button
3. Water tank access tab
4. Water tank
5. Steam head connector
6. Steam head
7. Steam head cleaning pad
8. Handle connector button
9. Handle
10. Cable tidy hook
11. Grip
12. Power cable
13. Accessory adaptor
14. Small brush (plastic bristles)
15. Small squeegee
16. Grout brush
17. Large squeegee
18. Sock pad for squeegee
19. Large brush (plastic bristles)
20. Small brush (copper bristles)
21. Small brush x2 (plastic bristles)
22. Carpet Glider

Assembly



Warning! Before attempting any of the following instructions, make sure that the appliance is switched off and unplugged and the appliance is cold and does not contain any water.

Attaching the handle (Fig. C)

- ◆ Slide the bottom end of the handle (9) into the top end of the steam mop body until the handle connector button (8) clicks into place.

Attaching the steam head (Fig. D)

- ◆ Connect the steam mop body to the steam head (6) via the steam head connector (5), ensuring the connection button (5a) clicks into place in the the opening (5b).

Attaching a cleaning pad (Fig. E)

Replacement cleaning pads are available from your BLACK+DECKER dealer :- (cat no. FSMP20-XJ).

- ◆ Place a cleaning pad (7) on the floor with the velcro 'loop' side facing up.
- ◆ Lightly press the steam mop down onto the cleaning pad (7).

Caution: Always place your steam mop with the handle (9) supported in the upright position when stationary and make sure the steam mop is turned off when not in use.

Removing a cleaning pad

Caution! Always wear suitable shoes when changing the cleaning pad on your steam mop. Do not wear slippers or open toed footwear.

- ◆ Return the handle (9) to the upright position and turn the steam mop 'OFF'.
- ◆ Wait until the steam mop cools down (approximately 5 minutes).
- ◆ Lift the steam mop away from the cleaning pad freeing it from the velcro fastening.

Caution! Always place your steam mop with the handle (9) supported in the upright position when stationary and make sure the steam mop is turned off when not in use.

Using as a hand held unit

- ◆ Disconnect the hand held unit from the steam head by pushing the connection button (5a) figure D.
- ◆ Remove the handle (9) from the hand held unit by pushing the handle connector button (8) figure C.

Fitting accessories (Fig. F)

- ◆ Fit the accessorie adaptor (13) into the main body of the unit ensuring the button (13a) clicks into the relevant opening.
- ◆ Attach the required accessorie to the accessorie adaptor (13) and twist clockwise to lock into place.

Filling the water tank (Fig. G)

Note! Fill the water tank with clean tap water.

Note! In areas of hard water, the use of de-ionised water is recommended.

- ◆ Open the water tank access tab (3).
- ◆ Fill the water tank (4) with water.

Warning! Your water tank has a 380ml capacity. Do not over fill the tank.

- ◆ Replace the water tank access tab.

Note! Ensure the water tank access tab is firmly secured.

Note! Do not use chemical cleaners with your steam mop water tank.

Use

Important! This unit will kill 99.9% of bacteria and germs when used in accordance with the instructions in this manual and with the micro fibre pad fitted and a continuous run time of 90 seconds.

Switching on and off

- ◆ To switch the appliance on, press the ON/Off button (1). It takes approximately 15 seconds for the steam mop to heat up.
- ◆ Press the steam operation button (2). This will operate the pump and the unit will begin to produce steam.
- ◆ To stop steam generation, turn the steam operation button (2) to off. This will maintain power to the boiler for quicker start up.
- ◆ To switch the appliance off, press the ON/Off button (1).

Caution! Never leave the steam mop in one spot on any surface for any period of time.

Always place the steam mop with the handle (9) supported in the upright position when stationary and make sure the steam mop is turned off when not in use.

Caution! Always empty the steam mop after use.

Note! When first filled or after running dry, it can take up to 45 seconds for steam to be produced.

Hints for optimum use

General

Caution: Never use the steam mop without first attaching a cleaning pad.

- ◆ Always vacuum or sweep the floor before using the steam mop.
- ◆ The easiest way to use the appliance is to tilt the handle to a 45° angle and clean slowly, covering a small area at a time.
- ◆ Do not use chemical cleaners with your steam mop. To remove stubborn stains from vinyl or linoleum floors, you can pre-treat with a mild detergent and some water before using the steam mop.

Steam Cleaning

- ◆ Place a cleaning pad (7) on the floor with the velcro 'loop' side facing up.
- ◆ Lightly press the steam mop down onto the cleaning pad (7).
- ◆ Connect the steam mop to the mains.
- ◆ Press the ON/OFF button (1). It takes approximately 15 seconds for the steam mop to heat up.

- ◆ Press the steam operate button (2). After a few seconds, steam will start to come out of the steam head.

Note! When first filled or after running dry, it can take up to 45 seconds for steam to be produced.

- ◆ It takes a few seconds for steam to enter the cleaning pad. The steam mop will now glide easily over the surface to be sanitized/cleaned.
- ◆ Push and pull the steam mop slowly across the surface to thoroughly steam clean each section.
- ◆ When you have finished using the steam mop, return the handle (9) to the upright position, making sure that it is supported and turn it 'OFF'. Wait until the steam mop cools down (approximately five minutes).

Caution! It is important to monitor the water level in the water tank (4). To refill the water tank and continue to sanitize/clean stand the mop upright making sure that the handle is supported and turn the steam mop 'OFF'. Unplug the unit from the electrical wall outlet, refill the water tank (4).

Caution! Never leave the steam mop in one spot on any surface for any period of time. Always place the steam mop with the handle (9) supported in the upright position when stationary and make sure the steam mop is turned off when not in use.

After use (Fig. H)

- ◆ Turn the steam mop 'OFF'. turn the steam operation button (2) to off and then press the ON/OFF button (1).
- ◆ Wait until the steam mop cools down.
- ◆ Unplug the steam mop from the electrical wall outlet.
- ◆ Empty the water tank.
- ◆ remove the cleaning pad (7) and wash it ready for next use.
- ◆ Wrap the power supply cable around the tidy hook (10).

Technical Data

		FSMH13E5	FSMH13E10
Voltage	V _{ac}	220-240	220-240
Power	W	1300	1300
Tank Capacity	ml	380	380
Weight	kg	1.8	1.8

Troubleshooting

If your appliance seems not to operate properly, follow the instructions below. If this does not solve the problem, please contact your local BLACK+DECKER repair agent.

Problem	Step	Possible solution
The steam mop is not turning on	1.	Check the unit is plugged in at the wall socket.
	2.	Check the unit is switched on using the ON/OFF switch (1)
	3.	Check the fuse in the plug.
The steam mop is not producing steam	4.	Check the water tank (4) is full . NOTE: When first filled or after running dry it can take up to 45 seconds for steam to be produced.
	5.	Check the steam generation button is in the ON position (2).
	6.	The steamer is equipped with a thermostat and a thermal cut-out. If for any reason the steamer overheats it will switch off. If this happens turn off and unplug the steamer, allow to cool for 2 to 4 hours and re-try.
Where can I get further information/ accessories for my steam mop	7.	Refer to the assembly chapter of the manual for correct fitting of parts and accessories.

Maintenance and cleaning

Your BLACK+DECKER corded appliance has been designed to operate over a long period of time with a minimum of maintenance. Continuous satisfactory operation depends upon proper appliance care and regular cleaning.

Warning! Before performing any maintenance or cleaning on corded appliances switch off and unplug the appliance.

- ◆ Wipe your appliance over using a soft damp cloth.
- ◆ For stubborn marks you can use a mild solution of soap and water to dampen your cloth.

Care of the cleaning pads

Wash care instructions - No fabric conditioner - Allow to dry fully before re-use.

Caution! Follow the cleaning instructions printed on the label of the cleaning pad.

Protecting the environment



Separate collection. Products and batteries marked with this symbol must not be disposed of with normal household waste.

Should you find one day that your Black & Decker product needs replacement, or if it is of no further use to you, do not dispose of it with household waste. Make this product available for separate collection.



Separate collection of used products and packaging allows materials to be recycled and used again. Re-use of recycled materials helps prevent environmental pollution and reduces the demand for raw materials.

Local regulations may provide for separate collection of electrical products from the household, at municipal waste sites or by the retailer when you purchase a new product.

Black & Decker provides a facility for the collection and recycling of Black & Decker products once they have reached the end of their working life. To take advantage of this service please return your product to any authorised repair agent who will collect them on our behalf.

Service Information

BLACK+DECKER offers a full network of company-owned and authorized service locations throughout Asia. All BLACK+DECKER Service Centers are staffed with trained personnel to provide customers with efficient and reliable product service.

Whether you need technical advice, repair, or genuine factory replacement parts, contact the BLACK+DECKER location nearest to you.

NOTE

- ◆ BLACK+DECKER's policy is one of continuous improvement to our products and, as such, we reserve the right to change product specifications without prior notice.
- ◆ Standard equipment and accessories may vary by country.
- ◆ Product specifications may differ by country.
- ◆ Complete product range may not be available in all countries. Contact your local BLACK+DECKER dealers for range availability.

Tujuan penggunaan

Pel uap BLACK+DECKER™ FSMH13E5, FSMH13E10 and sudah dirancang untuk mensanitasi dan membersihkan lantai kayu keras tertutup, lantai laminate tertutup, linoleum, vinyl, ubin keramik, lantai batu dan marmer. Peralatan ini hanya ditujukan untuk penggunaan rumah tangga.

Petunjuk keselamatan



Peringatan! Baca semua buku panduan Keamanan, Pemeliharaan, Layanan dengan seksama sebelum menjalankan peralatan ini. Baca semua panduan ini secara cermat sebelum mengoperasikan peralatan.

Keselamatan orang lain

- ◆ Peralatan ini dapat digunakan oleh anak-anak berusia 8 tahun ke atas, orang dengan keterbatasan fisik, pancaindra, maupun mental, atau yang tidak memiliki pengalaman dan pengetahuan memadai, kecuali jika mereka telah mendapatkan pengawasan atau petunjuk terkait penggunaan peralatan ini secara aman dan memahami kemungkinan bahaya yang muncul.
- ◆ Peralatan ini tidak boleh dimainkan anak-anak. Pembersihan dan pemeliharaan oleh pengguna tidak boleh dilakukan oleh anak-anak kecuali dalam pengawasan.
- ◆ Bila kabel daya rusak, kabel harus diganti oleh pabrik produsen, agen layanannya atau orang lain yang memenuhi syarat serupa untuk menghindari bahaya.
- ◆ Kabel harus dilepaskan dari stop

kontak sebelum membersihkan atau menjaga alat.

- ◆ Cairan atau uap tidak boleh diarahkan secara langsung pada perkakas yang mengandung komponen listrik, seperti bagian interior oven.
- ◆ Alat tidak boleh ditinggal tanpa pengawasan sementara alat terhubung dengan arus daya listrik utama;
- ◆ Peralatan tidak boleh digunakan bila sudah jatuh, jika terdapat tanda-tanda kerusakan yang jelas atau bila ada kebocoran;
- ◆ Jaga alat jauh dari jangkauan anak-anak saat alat bertenaga atau saat pendinginan.

Label pada peralatan

Piktogram berikut bersama dengan kode data terlihat pada alat.



PERHATIAN Uap Panas

Fitur

1. Saklar on/off
2. Tombol pengoperasian uap
3. Tab akses tangki air
4. Tangki air
5. Konektor kepala uap
6. Kepala uap
7. Kain pel pembersih kepala uap
8. Tombol konektor gagang
9. Gagang
10. Kait pengatur kabel
11. Pegangan
12. Kabel listrik
13. Adaptor aksesori
14. Sikat kecil (berbulu plastik)
15. Penyapu karet kecil
16. Sikat nat
17. Penyapu karet besar

18. Sarung penyapu karet
19. Sikat besar (berbulu plastik)
20. Sikat kecil (berbulu tembaga)
21. Sikat kecil x2 (berbulu plastik)
22. Glider Karpet

Perakitan



Peringatan! Sebelum mencoba instruksi berikut ini, pastikan bahwa alat sudah dimatikan serta dicabut kabelnya dan alat dalam keadaan dingin dan tidak mengandung air sama sekali.

Memasang gagang (Gbr. C)

- ♦ Geser ujung bawah gagang (9) ke bagian ujung puncak badan pel uap sampai tombol konektor gagang (8) masuk ke dalam posisinya.

Memasang kepala uap (Gbr. D)

- ♦ Hubungkan badan pel uap pada kepala uap (6) melalui konektor kepala uap (5), pastikan bahwa tombol sambungan (5a) masuk ke dalam posisinya di bagian pembukaan (5b).

Memasang kain pel pembersih (Gbr. E)

Kain pel pembersih cadangan tersedia pada penjual BLACK+DECKER anda : - (no. kat FSMP20-XJ).

- ♦ Letakkan sebuah kain pel pembersih (7) di lantai dengan sisi 'loop' velcro menghadap ke atas.
- ♦ Tekan pel uap ke bawah kain pel pembersih dengan lembut (7).

Perhatian! Selalu letakkan pel uap anda bersama gagang (9) yang disangga dalam posisi tegak lurus saat tidak bergerak dan pastikan pel uap dimatikan saat tidak digunakan.

Melepaskan kain pel pembersih

Perhatian! Selalu pakai sepatu yang sesuai saat menggunakan kain pel pembersih pada pel uap anda. Jangan memakai sandal atau alas kaki terbuka.

- ♦ Membalikkan gagang (9) ke dalam posisi tegak lurus dan matikan pel uap dengan tombol 'OFF'.
- ♦ Tunggu sampai pel uap mendingin (sekitar 5 menit).
- ♦ Angkat pel uap jauh dari kain pel pembersih. Bebaskan alat dari pengikat velcro.

Perhatian! Selalu letakkan pel uap anda bersama gagang (9) yang disangga dalam posisi tegak lurus saat tidak bergerak dan pastikan pel uap dimatikan saat tidak digunakan.

Menggunakan unit handheld

- ♦ Putuskan sambungan unit handheld dari bagian kepala uap dengan menekan tombol koneksi (5a) pada gambar D.
- ♦ Lepaskan gagang (9) dari unit gagang dengan menekan tombol konektor gagang (8) pada gambar C.

Memasang aksesoris (Gbr. F)

- ♦ Pasang adaptor aksesoris (13) ke dalam badan utama unit dan pastikan tombol (13a) masuk ke dalam bagian pembukaan yang sesuai.
- ♦ Lekatkan aksesoris yang diperlukan pada adaptor aksesoris (13) dan putar searah jarum jam untuk menguncinya di tempatnya.

Mengisi tangki air (Gbr. G)

Catatan! Isi tangki air dengan air keran yang bersih.

Catatan! Pada daerah dengan air keras, direkomendasikan untuk menggunakan air yang terionisasi.

- ♦ Buka tab akses tangki air (3).
- ♦ Isi tangki air (4) dengan air.

Peringatan! Tangki air anda memiliki kapasitas 380 ml. Jangan berlebihan dalam mengisi tangki.

- ♦ Ganti tab akses tangki air.

Catatan! Pastikan tab akses tangki air sudah terpasang dengan kuat.

Catatan! Jangan menggunakan pembersih kimia bersama tangki air pel uap anda.

Gunakan

Penting! Unit ini akan membunuh 99,9% bakteri dan kuman saat digunakan sesuai dengan instruksi dalam buku panduan ini dan dengan kain mikrofiber yang terpasang serta waktu runtime terus-menerus sebesar 90 detik.

Menghidupkan dan mematikan

- ♦ Untuk menyalakan alat, tekan tombol ON/OFF (1) Membutuhkan waktu sekitar 15 detik agar pel uap bisa memanans.
- ♦ Tekan tombol pengoperasian uap (2). Tombol ini akan menjalankan pompa dan unit akan mulai menghasilkan uap.
- ♦ Untuk menghentikan bangkitan uap, matikan tombol pengoperasian uap (2). Hal ini akan menjaga daya ketel untuk memulai lebih cepat.
- ♦ Untuk mematikan alat, tekan tombol ON/OFF (1).

Perhatian! Jangan pernah meninggalkan pel uap dalam satu tempat di permukaan manapun dalam periode waktu tertentu. Selalu meletakkan pel uap anda bersama gagang (9) yang disangga dalam posisi tegak lurus saat tidak bergerak dan pastikan pel uap dimatikan saat tidak digunakan.

Perhatian! Selalu kosongkan pel uap setelah penggunaan.

Catatan! Saat pertama kali mengisi atau setelah pengeringan, alat bisa membutuhkan waktu sampai 45 detik bagi uap untuk dihasilkan.

Petunjuk untuk penggunaan yang optimal

Umum

Perhatian! Jangan pernah menggunakan pel uap tanpa memasangnya dahulu dengan kain pel pembersih.

- ◆ Selalu sedot debu atau sapu lantai sebelum menggunakan pel uap.
- ◆ Cara termudah untuk menggunakan alat adalah dengan memiringkan gagang sampai sudut 45° dan bersihkan perlahan, mencakup area kecil di satu waktu.
- ◆ Jangan menggunakan pembersih kimia bersama dengan pel uap anda. Untuk menghilangkan noda membandel dari lantai vinyl atau linolium anda, anda bisa menghilangkannya terlebih dahulu dengan detergen ringan dan air sebelum menggunakan pel uap.

Pembersihan Uap

- ◆ Letakkan sebuah kain pel pembersih (7) di lantai dengan sisi 'loop' velcro menghadap ke atas.
- ◆ Tekan pel uap ke bawah kain pel pembersih dengan lembut (7).
- ◆ Hubungkan pel uap pada unit utama.
- ◆ Tekan tombol ON/OFF (1). Membutuhkan waktu sekitar 15 detik agar pel uap bisa memanaskan.
- ◆ Tekan tombol pengoperasian uap (2). Setelah beberapa detik, uap akan mulai keluar dari bagian kepala uap.

Catatan! Saat pertama kali mengisi atau setelah pengeringan, alat bisa membutuhkan waktu sampai 45 detik bagi uap untuk dihasilkan.

- ◆ Membutuhkan beberapa detik bagi uap untuk memasuki kain pel pembersih. Pel uap akan melaju dengan mudah pada permukaan yang akan disanitasi/dibersihkan.
- ◆ Dorong dan tarik pel uap secara perlahan pada permukaan untuk melakukan pembersihan uap masing-masing bagian secara menyeluruh.
- ◆ Saat anda sudah membersihkan dengan menggunakan pel uap, kembalikan gagang (9) ke dalam posisi tegak lurus, pastikan alat tersangga dan matikan dengan tombol 'OFF'. Tunggu sampai pel uap mendingin (sekitar lima menit).

Perhatian! Penting untuk memonitor tingkat air dalam tangki air (4). Untuk mengisi ulang tangki air dan terus mensanitasi/membersihkannya, dirikan pel secara tegak lurus lalu pastikan agar gagang tersangga, matikan pel uap dengan tombol 'OFF'. Cabut kabel unit dari stop kontak listrik, isi ulang tangki air (4). **Perhatian!** Jangan pernah meninggalkan pel uap dalam satu tempat di permukaan manapun dalam periode waktu tertentu. Selalu letakkan pel uap bersama gagang (9) yang disangga dalam posisi tegak lurus saat tidak bergerak dan pastikan pel uap dimatikan saat tidak digunakan.

Setelah penggunaan (Gbr. H)

- ◆ Matikan pel uap dengan tombol 'OFF'. Matikan tombol pengoperasian uap (2) dan lalu tekan tombol ON/OFF (1).
- ◆ Tunggu sampai pel uap mendingin.
- ◆ Cabut kabel pel uap dari stop kontak.
- ◆ Kosongkan tangki air.
- ◆ Lepaskan kain pel pembersih (7) dan cuci lagi agar siap untuk dipakai pada penggunaan berikutnya.
- ◆ Lipat kabel daya listrik di sekitar kait pengatur (10).

Data teknis

		FSMH13E5	FSMH13E10
Tegangan	V _{ac}	220-240	220-240
Daya	W	1300	1300
Kapasitas Tangki	ml	380	380
Berat	kg	1.8	1.8

Pemecahan masalah

Bila alat anda sepertinya tidak bisa beroperasi dengan baik, ikuti instruksi di bawah. Bila tindakan ini tidak menyelesaikan masalah tersebut, mohon hubungi agen reparasi BLACK+DECKER setempat anda.

Masalah	Langkah	Penyelesaian yang memungkinkan
Pel uap tidak menyalakan	1.	Periksa bila kabel unit terpasang pada stop kontak dinding.
	2.	Periksa bila unit dinyalakan menggunakan saklar ON/OFF (1)
	3.	Periksa sekering dalam kabel.
Pel uap tidak menghasilkan uap	4.	Periksa bila tangki air (4) penuh. CATATAN: Saat pertama kali mengisi atau setelah pengeringan, alat bisa membutuhkan waktu sampai 45 detik bagi uap untuk dihasilkan.
	5.	Periksa bila tombol semburan uap dalam posisi ON (2).
	6.	Steamer dilengkapi dengan sebuah pengatur panas (termostat) dan sensor suhu pemutus arus. Bila karena sebab apapun steamer menjadi terlalu panas alat akan mati. Bila ini terjadi matikanlah alat dan cabut kabel steamer, biarkan alat mendingin selama 2-4 jam dan coba lagi.
Dimana saya bisa mendapatkan informasi/ aksesoris lebih lanjut	7.	Mengacu kepada bab pemasangan dari buku panduan untuk pengepasan suku cadang dan aksesoris yang tepat.

Pemeliharaan

Peralatan/alat BLACK+DECKER berkabel/nirkabel dirancang untuk penggunaan jangka panjang dengan pemeliharaan minimal. Penggunaan yang selalu memuaskan tergantung pada cara pemeliharaan yang benar dan pembersihan alat secara teratur.

Peringatan! Sebelum melakukan pemeliharaan atau pembersihan pada alat listrik rumah tangga, matikan dan cabut kabel alat.

- ◆ Bersihkan alat menggunakan kain lembut yang basah.
- ◆ Untuk bekas yang membandel anda bisa menggunakan larutan sabun yang ringan dan air untuk membasahi kain anda.

Perawatan kain pel pembersih

Instruksi pencucian - Kondisioner kain dilarang – biarkan kain kering sepenuhnya sebelum menggunakan ylang.

Peringatan! Ikuti instruksi pembersihan yang tercetak pada label kain pel pembersih.

Melindungi lingkungan



Pengumpulan terpisah. Produk ini tidak boleh dibuang bersama limbah rumah tangga biasa.

Jika produk Black & Decker Anda perlu diganti, atau tidak lagi digunakan, jangan buang bersama sampah rumah tangga. Pisahkan pengumpulan produk ini.



Pengumpulan produk dan kemasan bekas secara terpisah memungkinkan material untuk didaur ulang dan digunakan lagi. Penggunaan kembali bahan yang didaur ulang akan membantu mencegah pencemaran lingkungan serta mengurangi kebutuhan akan bahan baku.

Undang-undang setempat mungkin memfasilitasi pengumpulan produk-produk listrik terpisah dari sampah rumah tangga, di tempat pembuangan sampah kota atau oleh peritel pada saat Anda membeli produk baru.

Black+Decker menyediakan sebuah fasilitas untuk pengumpulan dan daur ulang produk-produk Black+Decker saat mereka mencapai akhir masa kerjanya. Untuk merasakan manfaat dari layanan ini mohon kembalikan produk anda pada agen reparasi resmi yang akan mengumpulkannya atas nama kami.

Informasi Servis

Black+Decker menawarkan jaringan lengkap lokasi servis resmi milik perusahaan di seluruh Asia. Semua Pusat Servis Black+Decker memiliki staf terlatih agar dapat memberikan layanan produk yang efisien dan andal kepada konsumen.

Bila Anda membutuhkan saran teknis, perbaikan, atau suku cadang pengganti asli pabrik, hubungi lokasi Black + Decker terdekat.

CATATAN

- ♦ Black + Decker memiliki kebijakan untuk terus meningkatkan produk dan karenanya, kami berhak mengubah spesifikasi produk tanpa pemberitahuan sebelumnya.
- ♦ Perlengkapan dan aksesoris standar mungkin berbeda menurut negara.
- ♦ Spesifikasi produk mungkin berbeda menurut negara.
- ♦ Rangkaian produk lengkap mungkin tidak tersedia di semua negara. Untuk mengetahui ketersediaan produk, hubungi dealer Black & Decker setempat Anda.

วัตถุประสงค์การใช้งาน

ไม้อูพื้นไอน้ำรุ่น FSMH13E5 และ FSMH13E10 ของ BLACK+DECKER™ ของคุณได้รับการออกแบบมาสำหรับการทำงานเชื่อมและการทำความสะอาดไม้เนื้อแข็งแบบปิด พื้นลามิเนตแบบปิด เสื่อน้ำมัน พื้นไวนิล กระจกเบี่ยงเซรามิก พื้นหินและหินอ่อน เครื่องมือนี้มีวัตถุประสงค์เพื่อใช้งานภายในบ้านเท่านั้น

ข้อปฏิบัติเพื่อความปลอดภัย



คำเตือน! อ่านคู่มือความปลอดภัย การบำรุงรักษา และ การใช้งานทั้งหมดโดยละเอียด ก่อนที่จะใช้งานอุปกรณ์นี้ อ่านเนื้อหาทั้งหมดของคู่มือฉบับนี้อย่างละเอียดก่อนใช้งานอุปกรณ์

ความปลอดภัยของบุคคลอื่น

- เด็กที่มีอายุตั้งแต่ 8 ปีขึ้นไป และบุคคลที่มีความบกพร่องทางร่างกาย ทางารรับรู้ความรู้สึก หรือทางจิตประสาท หรือขาดประสบการณ์และความรู้สามารถใช้เครื่องมือนี้ได้หากมีการควบคุมดูแลหรือให้คำแนะนำการใช้เครื่องมืออย่างปลอดภัยและเข้าใจถึงอันตรายที่อาจเกิดขึ้น
- ห้ามเด็กเล่นเครื่องมือ ไม่ควรให้เด็กทำความสะอาดและบำรุงรักษาเครื่องโดยไม่มีการควบคุมดูแล
- หากสายไฟชำรุดเสียหาย สายไฟจะต้องได้รับการเปลี่ยนใหม่โดยผู้ผลิต ตัวแทนให้บริการของผู้ผลิต หรือผู้มีคุณสมบัติในลักษณะเดียวกันเพื่อหลีกเลี่ยงอันตราย
- ปลั๊กจะต้องได้รับการถอดออกจากเต้าเสียบ-เต้ารับก่อนที่จะทำความสะอาดหรือบำรุงรักษาอุปกรณ์
- ของเหลวหรือไอน้ำจะต้องไม่เข้าไปในอุปกรณ์ซึ่งมีองค์ประกอบที่เป็นไฟฟ้า เช่น ด้านในของเตา
- อุปกรณ์จะต้องไม่ถูกทิ้งไว้โดยไม่ใส่ใจในขณะที่ยังเชื่อมต่อเข้ากับแหล่งจ่ายไฟ
- อุปกรณ์จะต้องไม่ได้รับการนำมาใช้งาน หากอุปกรณ์ตกลงมา หากมีสัญญาณความเสียหายที่มองเห็นได้ด้วยตาเปล่า หรือหากอุปกรณ์รั่วซึม

- เก็บอุปกรณ์เอาไว้ให้พ้นจากมือเด็กเมื่อกำลังให้พลังงานแก่อุปกรณ์ หรือเมื่อทิ้งให้อุปกรณ์เย็นตัวลง

ป้ายบนตัวอุปกรณ์

ตัวหนังสือภาพดังต่อไปนี้พร้อมกันรหัสวันที่จะได้รับการแสดงอยู่บนอุปกรณ์



ข้อควรระวัง: ไอน้ำร้อน

คุณสมบัติ

1. สวิตช์เปิด/ปิดเครื่อง
2. ปุ่มการใช้งานไอน้ำ
3. ปุ่มการเข้าถึงถึงเก็บน้ำ
4. ถังเก็บน้ำ
5. อุปกรณ์เชื่อมต่อหัวไอน้ำ
6. หัวไอน้ำ
7. แผ่นทำความสะอาดหัวไอน้ำ
8. ปุ่มอุปกรณ์เชื่อมต่อตามจับ
9. ด้ามจับ
10. ตะขอเก็บสายไฟ
11. เครื่องยึด
12. สายไฟ
13. เครื่องปรับอุปกรณ์เสริมอุปกรณ์เสริม
14. แปรงขนาดเล็ก (ขนแปรงพลาสติก)
15. ลูกกลิ้งยางขนาดเล็ก
16. แปรงยาแนว
17. ลูกกลิ้งยางขนาดใหญ่
18. แผ่นกันกระแทกสำหรับลูกกลิ้งยาง
19. แปรงขนาดใหญ่ (ขนแปรงพลาสติก)
20. แปรงขนาดเล็ก (ขนแปรงทองแดง)
21. แปรงขนาดเล็ก x2 (ขนแปรงพลาสติก)
22. แผ่นทำความสะอาดพรม

การประกอบ



คำเตือน! ก่อนที่จะปฏิบัติตามคำแนะนำใดดังต่อไปนี้ คุณจะต้องตรวจสอบให้แน่ใจว่าคุณได้ปิดและถอดปลั๊กของอุปกรณ์ออกแล้ว ในขณะที่เครื่องจะต้องไม่ร้อน และไม่มีน้ำอยู่

การใส่ด้ามจับ (รูป C)

- เลื่อนปลายด้านล่างของด้ามจับ (9) เข้าไปในปลายด้านบนของตัวเครื่องของไม้อูพื้นไอน้ำจนกระทั่งปุ่มอุปกรณ์เชื่อมต่อด้ามจับ (8) เข้าที่

การใส่หัวไอน้ำ (รูป D)

- ◆ เชื่อมต่อตัวเครื่องของไม้อูฟพื้นไอน้ำเข้ากับหัวไอน้ำ (6) ผ่านอุปกรณ์เชื่อมต่อหัวไอน้ำ (5) คุณจะต้องตรวจสอบให้แน่ใจว่า ปุ่มเชื่อมต่อ (5a) เข้าที่ไปในช่อง (5b)

การใส่แผ่นทำความสะอาด (รูป E)

คุณสามารถหาซื้อแผ่นทำความสะอาดได้จากตัวแทนจำหน่ายของ BLACK+DECKER ของคุณ:- (หมายเลขประเภท FSM20-XJ)

- ◆ วางแผ่นทำความสะอาด (7) ลงบนพื้นโดยให้ด้าน 'ลูป' ดินดักแก๊สหันหน้าขึ้น
 - ◆ กดไม้อูฟพื้นลงบนแผ่นทำความสะอาด (7) เล็กน้อย
- ข้อควรระวัง:** วางไม้อูฟพื้นไอน้ำของคุณโดยให้ตามจับ (9) ได้รับการรองรับให้อยู่ในตำแหน่งที่ตั้งตรงอยู่เสมอเมื่อหยุดนิ่ง และตรวจสอบให้แน่ใจว่า คุณได้ปิดไม้อูฟพื้นไอน้ำเมื่อไม่มีการใช้งาน

การถอดแผ่นทำความสะอาด

ข้อควรระวัง! สวมรองเท้าที่เหมาะสมอยู่เสมอเมื่อทำการเปลี่ยนแผ่นทำความสะอาดของไม้อูฟพื้นไอน้ำของคุณ ห้ามสวมรองเท้าแตะหรือรองเท้าแบบเปิดหัว

- ◆ นำตามจับ (9) กลับไปอยู่ในตำแหน่งที่ตั้งตรงอีกครั้ง และ 'ปิด' ไม้อูฟพื้นไอน้ำ
- ◆ รอกนกระวังไม้อูฟพื้นไอน้ำเย็นตัวลง (ประมาณ 5 นาที)
- ◆ ยกไม้อูฟพื้นไอน้ำขึ้นจากแผ่นทำความสะอาดให้เป็นอิสระจากการยึดเกาะของดินดักแก๊ส

ข้อควรระวัง! วางไม้อูฟพื้นไอน้ำของคุณโดยให้ตามจับ (9) ได้รับการรองรับให้อยู่ในตำแหน่งที่ตั้งตรงอยู่เสมอเมื่อหยุดนิ่ง และตรวจสอบให้แน่ใจว่า คุณได้ปิดไม้อูฟพื้นไอน้ำเมื่อไม่มีการใช้งาน

การใช้งานเป็นอุปกรณ์แบบมือถือ

- ◆ ตัดการเชื่อมต่ออุปกรณ์แบบมือถือจากหัวไอน้ำโดยการดันปุ่มการเชื่อมต่อ (5a) ในรูป D
- ◆ ถอดตามจับ (9) ออกจากอุปกรณ์แบบมือถือโดยการดันปุ่มอุปกรณ์เชื่อมต่อตามจับ (8) ในรูป C

การใส่อุปกรณ์เสริม (รูป F)

- ◆ ใส่เครื่องปรับอุปกรณ์เสริม (13) เข้าไปในตัวเครื่องหลักของอุปกรณ์ และตรวจสอบให้แน่ใจว่า ปุ่ม (13a) ได้เข้าไปในช่องที่เกี่ยวข้อง
- ◆ ใส่อุปกรณ์เสริมที่ต้องการเข้าไปยังเครื่องปรับอุปกรณ์เสริม (13) และบิดทวนเข็มนาฬิกาเพื่อล็อกให้เข้าที่

การเติมน้ำ (รูป G)

หมายเหตุ! เติมน้ำด้วยน้ำประปาที่สะอาด

หมายเหตุ! ในบริเวณซึ่งใช้น้ำกระด้าง แนะนำให้ใช้น้ำที่ผ่านการกำจัดไอออนออกไปแล้ว

- ◆ เปิดปุ่มการเข้าถึงถังเก็บน้ำ (3)
- ◆ เติมน้ำ (4) ด้วยน้ำ

คำเตือน! ถังเก็บน้ำของคุณมีความจุ 380 มล. ห้ามเติมน้ำจนล้นถังเก็บน้ำ

- ◆ เปลี่ยนปุ่มการเข้าถึงถังเก็บน้ำ

หมายเหตุ! ตรวจสอบให้แน่ใจว่า ปุ่มการเข้าถึงถังเก็บน้ำได้รับการยึดจนแน่น

หมายเหตุ! ห้ามใช้สารทำความสะอาดที่เป็นสารเคมีกับถังเก็บน้ำของไม้อูฟพื้นไอน้ำของคุณ

การใช้งาน

สำคัญ! อุปกรณ์นี้สามารถฆ่าแบคทีเรียและเชื้อโรคได้ถึง 99.9% เมื่อได้รับการใช้งานตามคำแนะนำในคู่มือ รวมถึงเมื่อมีการใส่แผ่นไมโครไฟเบอร์ และใช้งานอย่างต่อเนื่องเป็นเวลา 90 วินาที

การเปิดและปิดสวิตช์

- ◆ ในการเปิดอุปกรณ์ ให้กดกดที่ปุ่มเปิด/ปิดเครื่อง (1) ไม้อูฟพื้นไอน้ำจะใช้เวลาอุ่นเครื่องประมาณ 15 วินาที
 - ◆ กดปุ่มการใช้งานไอน้ำ (2) การทำเช่นนี้จะเป็นการใช้งานมีม และอุปกรณ์จะเริ่มผลิตไอน้ำ
 - ◆ ในการหยุดการผลิตไอน้ำ ให้คุณหมุนปุ่มการใช้งานไอน้ำ (2) ไปที่ปิด การทำเช่นนี้จะยังคงให้พลังแก๊สหมดไอน้ำสำหรับการเริ่มต้นทำงานที่เร็วขึ้น
 - ◆ ในการปิดอุปกรณ์ ให้กดกดที่ปุ่มเปิด/ปิดเครื่อง (1)
- ข้อควรระวัง!** ห้ามทิ้งให้ไม้อูฟพื้นไอน้ำอยู่ที่จุดใดจุดหนึ่งบนพื้นผิวใดก็ตามเป็นระยะเวลาหนึ่งโดยเด็ดขาด วางไม้อูฟพื้นไอน้ำของคุณโดยให้ตามจับ (9) ได้รับการรองรับให้อยู่ในตำแหน่งที่ตั้งตรงอยู่เสมอเมื่อหยุดนิ่ง และตรวจสอบให้แน่ใจว่า คุณได้ปิดไม้อูฟพื้นไอน้ำเมื่อไม่มีการใช้งาน

ข้อควรระวัง! ให้นำออกจากไม้อูฟพื้นไอน้ำหลังการใช้งานทุกครั้ง

หมายเหตุ! เมื่อเติมน้ำเป็นครั้งแรกหรือหลังจากน้ำแห้งแล้ว อุปกรณ์จะใช้เวลาไม่เกิน 45 วินาทีในการผลิตไอน้ำ

คำแนะนำสำหรับการใช้งานที่ดีที่สุด

ทั่วไป

ข้อควรระวัง: ห้ามใช้ไม้อูฟพื้นไอน้ำโดยไม่มีการใส่แผ่นทำความสะอาดก่อนโดยเด็ดขาด

- ◆ ดุดพื้นหรือกวาดพื้นทุกครั้งก่อนที่จะใช้ไม้อูฟพื้นไอน้ำ
- ◆ วิธีการที่ง่ายที่สุดในการใช้งานอุปกรณ์ก็คือการเอียงตามจับให้ทำมุม 45 องศา และค่อยๆ ทำความสะอาดให้ครอบคลุมพื้นที่ขนาดเล็กในแต่ละครั้ง
- ◆ ห้ามใช้สารทำความสะอาดที่เป็นสารเคมีกับไม้อูฟพื้นไอน้ำของคุณ ในการกำจัดคราบสิ่งสกปรกออกจากพื้นไวนิลหรือพื้นเสื่อน้ำมัน คุณสามารถทำความสะอาดพื้นดังกล่าวด้วยสารซักฟอกอ่อนๆ กับน้ำได้ก่อนที่จะใช้ไม้อูฟพื้นไอน้ำ

การทำความสะอาดด้วยไอน้ำ

- ◆ วางแผ่นทำความสะอาด (7) ลงบนพื้นโดยให้ด้าน 'ลูป' ดินดักแก๊สหันหน้าขึ้น
- ◆ กดไม้อูฟพื้นลงบนแผ่นทำความสะอาด (7) เล็กน้อย

- ◆ เชื่อมต่อไม้ถูพื้นไอน้ำเข้ากับแหล่งจ่ายไฟ
- ◆ กดปุ่มเปิด/ปิดเครื่อง (1) ไม้ถูพื้นไอน้ำจะใช้เวลานาน เครื่องประมาณ 15 วินาที
- ◆ กดปุ่มการใช้งานไอน้ำ (2) หลังจากผ่านไปสองสามวินาที ไอน้ำจะเริ่มพุ่งออกมาจากหัวไอน้ำ

หมายเหตุ! เมื่อเติมน้ำเป็นครั้งแรกหรือหลังจากน้ำแห้งแล้ว อุปกรณ์จะใช้เวลาไม่เกิน 45 วินาทีในการผลิตไอน้ำ

- ◆ อุปกรณ์จะใช้เวลาประมาณสองสามวินาทีก่อนที่ไอน้ำจะเข้าไปที่แผ่นทำความสะอาด ถึงตอนนี้ไม้ถูพื้นไอน้ำจะเลื่อนไปมาได้อย่างง่ายดายบนพื้นผิวที่จะฆ่าเชื้อ/ทำความสะอาด
- ◆ ค่อยๆ ดันและดึงไม้ถูพื้นไอน้ำไปตามพื้นผิวเพื่อการทำทำความสะอาดแต่ละส่วนด้วยไอน้ำอย่างทั่วถึง
- ◆ เมื่อคุณใช้งานไม้ถูพื้นไอน้ำเสร็จแล้ว ให้คุณนำตามจับ (9) กลับไปอยู่ในตำแหน่งตั้งตรงอีกครั้งเพื่อให้แน่ใจได้ว่าตามจับได้รับการรองรับ และ 'ปิด' ไม้ถูพื้นไอน้ำ รอจนกระทั่งไม้ถูพื้นไอน้ำเย็นตัวลง (ประมาณห้านาที)

ข้อควรระวัง! สิ่งที่สำคัญก็คือคุณจะต้องติดตามระดับน้ำในถังเก็บน้ำ (4) ในการเติมน้ำถังเก็บน้ำและการฆ่าเชื้อ/ทำความสะอาดอย่างต่อเนื่อง คุณจะต้องตั้งไม้ถูพื้นไอน้ำให้ตรงเพื่อให้แน่ใจได้ว่าตามจับได้รับการรองรับ และ 'ปิด' ไม้ถูพื้นไอน้ำ ถอดปลั๊กอุปกรณ์ออกจากเต้าเสียบไฟฟ้าบนผนัง และเติมน้ำถังเก็บน้ำ (4)

ข้อควรระวัง! ห้ามทิ้งไม้ถูพื้นไอน้ำอยู่ที่จุดใดจุดหนึ่งบนพื้นผิวใดก็ตามเป็นระยะเวลาหนึ่งโดยเด็ดขาด วางไม้ถูพื้นไอน้ำของคุณโดยให้ตามจับ (9) ได้รับการรองรับให้อยู่ในตำแหน่งตั้งตรงอยู่เสมอเมื่อหยุดนิ่ง และตรวจสอบให้แน่ใจว่า คุณได้ปิดไม้ถูพื้นไอน้ำเมื่อไม่มีการใช้งาน

หลังการใช้งาน (รูป H)

- ◆ ปิด ไม้ถูพื้นไอน้ำ หมุนปุ่มการใช้งานไอน้ำ (2) ไปที่ปิด จากนั้นจึงกดปุ่มเปิด/ปิดเครื่อง (1)
- ◆ รอจนกระทั่งไม้ถูพื้นไอน้ำเย็นตัวลง
- ◆ ถอดปลั๊กไม้ถูพื้นไอน้ำออกจากเต้าเสียบไฟฟ้าบนผนัง
- ◆ เทน้ำในถังเก็บน้ำทิ้ง
- ◆ ถอดแผ่นทำความสะอาด (7) และล้างแผ่นทำความสะอาดสำหรับการใช้งานในครั้งถัดไป
- ◆ ห้อยสายไฟเอาไว้ที่ขอบตะขอเก็บสายไฟ (10)

ข้อมูลด้านเทคนิค

		FSMH13E5	FSMH13E10
แรงดันไฟฟ้า	V _{ac}	220-240	220-240
กำลังไฟ	W	1300	1300
ความจุของถังเก็บน้ำ	ml	380	380
น้ำหนัก	kg	1.8	1.8

การแก้ไขปัญหา

หากอุปกรณ์ของคุณดูเหมือนจะทำงานไม่เหมาะสม ให้คุณปฏิบัติตามคำแนะนำด้านล่างนี้ หากคำแนะนำดังกล่าวไม่สามารถแก้ไขปัญหาได้ กรุณาติดต่อตัวแทนซ่อมของ BLACK+DECKER ในท้องถิ่นของคุณ

ปัญหา	ขั้นตอน	วิธีการแก้ไขที่เป็นไปได้
ไม้ไต่เปิดไม้ถูพื้นไอน้ำ	1.	ตรวจสอบว่าอุปกรณ์ได้รับการเสียบปลั๊กเข้ากับเต้าเสียบบนผนังหรือไม่
	2.	ตรวจสอบว่าอุปกรณ์ได้รับการเปิดโดยใช้สวิตช์เปิด/ปิดเครื่อง (1) หรือไม่
	3.	ตรวจสอบฟิวส์ในปลั๊ก
ไม้ถูพื้นไอน้ำไม่ผลิตไอน้ำ	4.	ตรวจสอบว่าถังเก็บน้ำ (4) เต็มหรือไม่ หมายเหตุ: เมื่อเติมน้ำเป็นครั้งแรกหรือจากจากน้ำแห้งแล้ว อุปกรณ์จะใช้เวลาไม่เกิน 45 วินาทีในการผลิตไอน้ำ
	5.	ตรวจสอบปริมาณการผลิตไอน้ำว่าอยู่ในตำแหน่ง เปิด (2) หรือไม่
	6.	หม้อไอน้ำจะได้รับการติดตั้งมาพร้อมกับเทอร์โมสแตทและตัวตัดวงจร หากหม้อไอน้ำร้อนเกินไปว่าจะด้วยสาเหตุใดก็ตาม หม้อไอน้ำจะถูกปิดเครื่อง หากเกิดกรณีเช่นนี้ขึ้น ให้คุณปิดเครื่องและถอดปลั๊กของหม้อไอน้ำออก ทั้งให้หม้อไอน้ำเย็นตัวลงเป็นเวลา 2 ถึง 4 ชั่วโมง และลองอีกครั้ง
สิ้นสมารถรับข้อมูลเพิ่มเติม/อุปกรณ์เสริมได้จากที่ใด	7.	ดูที่หัวข้อ อุปกรณ์เสริม ของคู่มือฉบับนี้ในส่วนของการใส่ชิ้นส่วนและอุปกรณ์เสริมอย่างถูกต้อง

การบำรุงรักษาและการทำความสะอาด

อุปกรณ์ไร้สาย BLACK+DECKER ของคุณได้รับการออกแบบมาสำหรับการใช้งานเป็นเวลานานโดยมีการบำรุงรักษาขั้นต้น การใช้งานที่นำพึงพอใจอย่างต่อเนื่องจะขึ้นอยู่กับดูแลและการทำความสะอาดเครื่องมืออยู่เป็นประจำ

คำเตือน! ก่อนที่จะทำการบำรุงรักษาหรือทำความสะอาดอุปกรณ์ที่มีการต่อสาย คุณจะต้องปิดอุปกรณ์และถอดปลั๊กของอุปกรณ์ออกก่อน

- ◆ เช็ดอุปกรณ์ของคุณให้แห้งโดยใช้ผ้านุ่มชุบน้ำหมาดๆ
- ◆ สำหรับคราบฝังลึก คุณสามารถใช้น้ำยาอ่อนๆ ของสบู่น้ำยาซักผ้าให้ผ้าหมาดได้

การดูแลแผ่นทำความสะอาด

คำแนะนำสำหรับการซักล้าง – ห้ามใช้น้ำยาปรับผ้านุ่ม – ปลอ่ยให้แห้งสนิทก่อนที่จะนำกลับมาใช้อีกครั้ง

ข้อควรระวัง! ปฏิบัติตามคำแนะนำการทำทำความสะอาดซึ่งพิมพ์ไว้บนฉลากของแผ่นทำความสะอาด

การกำจัดทิ้งผลิตภัณฑ์



การเก็บรวบรวมแบบคัดแยกห้ามทิ้งผลิตภัณฑ์นี้ร่วมกับขยะในครัวเรือนปกติหากเมื่อใดก็ตามที่จำเป็นต่อ

เปลี่ยนผลิตภัณฑ์ BLACK+DECKER หรือถ้าเครื่อง มีอันนี้ไม่เป็นประโยชน์อีกต่อไปอย่าทิ้งผลิตภัณฑ์นี้ร่วมกับขยะในครัวเรือนจัดการกับผลิตภัณฑ์นี้เพื่อให้พร้อมสำหรับการเก็บรวบรวมแบบคัดแยก



การเก็บรวบรวมแบบคัดแยกสำหรับบรรจุภัณฑ์และผลิตภัณฑ์ที่ใช้แล้วทำให้สามารถรีไซเคิลวัสดุ และนำมาใช้งานอีกครั้ง การนำวัสดุรีไซเคิลมาใช้ อีกครั้งจะช่วยป้องกันมลพิษต่อสิ่งแวดล้อมและ ลดความต้องการวัตถุดิบ

ตามกฎระเบียบท้องถิ่นอาจมีการจัดเตรียมสถานที่สำหรับการเก็บรวบรวมแบบคัดแยกอุปกรณ์ไฟฟ้าที่ใช้ภายในครัวเรือนไว้ ณ แหล่งรับขยะของเทศบาลหรืออาจมีการรับอุปกรณ์ใช้แล้วที่ ร้านค้าปลีกในกรณีที่ท่านซื้อผลิตภัณฑ์ชิ้นใหม่

Black+Decker มีโรงงานสำหรับการเก็บรวบรวมและการรีไซเคิลผลิตภัณฑ์ของ Black+Decker เมื่อผลิตภัณฑ์ดังกล่าวสิ้นสุดอายุการใช้งานลงแล้ว หากคุณต้องการรับบริการดังกล่าว กรุณาส่งคืนผลิตภัณฑ์ของคุณไปยังตัวแทนซ่อมที่ได้รับการอนุญาตซึ่งจะทำการเก็บรวบรวมผลิตภัณฑ์ให้แก่เรา

ข้อมูลด้านการบริการ

BLACK+DECKER มีเครือข่ายศูนย์บริการทั้งที่บริษัทเป็นเจ้าของและที่ได้รับอนุญาตมากมายทั่วเอเชีย ศูนย์บริการของ BLACK+DECKER ทุกแห่งมีบุคลากรที่ชำนาญการไว้คอยให้บริการลูกค้าเกี่ยวกับผลิตภัณฑ์อย่างมีประสิทธิภาพและเชื่อถือได้

โปรดติดต่อศูนย์ของ BLACK+DECKER ที่ใกล้คุณที่สุด หากคุณต้องการคำแนะนำด้านเทคนิค การซ่อมแซม หรือการเปลี่ยนชิ้นส่วนแท้จากโรงงาน

หมายเหตุ

- ◆ BLACK+DECKER มีนโยบายในการปรับปรุงผลิตภัณฑ์อย่างต่อเนื่อง เราจึงขอสงวนสิทธิ์ในการเปลี่ยนแปลงข้อมูลจำเพาะของผลิตภัณฑ์โดยไม่แจ้งให้ทราบล่วงหน้า
- ◆ อุปกรณ์และอุปกรณ์เสริมมาตรฐานอาจแตกต่างกันไปในแต่ละประเทศ
- ◆ ข้อมูลจำเพาะของผลิตภัณฑ์อาจแตกต่างกันไปในแต่ละประเทศ
- ◆ ผลิตภัณฑ์ทุกชนิดอาจไม่มีจำหน่ายในทุกประเทศ โปรดติดต่อตัวแทน BLACK+DECKER ในท้องถิ่นของคุณเพื่อสอบถามความพร้อมจำหน่ายของผลิตภัณฑ์

Mục đích sử dụng

Cây lau nhà hơi nước BLACK+DECKERTM FSMH13E5, FSMH13E10 của bạn được thiết kế để vệ sinh và làm sạch sàn gỗ cứng, laminate chống thấm, linoleum, vinyl, gạch men, đá và đá cẩm thạch. Thiết bị này chỉ được sử dụng trong gia đình.

Hướng dẫn an toàn



Cảnh Báo! Đọc kỹ tất cả Hướng dẫn dẫn An toàn, Bảo trì, Sửa chữa trước khi vận hành thiết bị này.

Đọc kỹ toàn bộ các hướng dẫn này trước khi sử dụng thiết bị.

An toàn của người khác

- Trẻ em từ 8 tuổi trở lên và những người bị suy giảm khả năng thể chất, cảm giác hay tâm thần hoặc thiếu kinh nghiệm và kiến thức có thể sử dụng thiết bị này nếu họ được giám sát hay hướng dẫn cách sử dụng thiết bị một cách an toàn và hiểu rõ các mối nguy hiểm liên quan.
- Không để trẻ em nghịch thiết bị này. Không để trẻ em vệ sinh và bảo trì thiết bị mà không có sự giám sát.
- Nếu dây cáp nguồn bị hỏng, phải được thay thế bởi nhà sản xuất, đại lý dịch vụ hoặc những người có trình độ tương đương để tránh nguy hiểm.
- Phích cắm phải được rút ra khỏi ổ cắm trước khi vệ sinh hoặc bảo trì thiết bị.
- Chất lỏng hoặc hơi nước không được hướng vào thiết bị có chứa các bộ phận điện, chẳng hạn như bên trong lò nướng.
- Khi thiết bị được kết nối với nguồn điện, không được để thiết bị ngoài tầm giám sát ;
- Không được sử dụng thiết bị nếu bị rơi, nếu có dấu hiệu hư hỏng hoặc rò rỉ;
- Để thiết bị xa tầm tay trẻ em khi thiết bị được cấp điện hoặc để nguội.

Ký hiệu trên thiết bị

Các biểu tượng sau cùng với mã ngày được hiển thị trên thiết bị.



THẠNH TRỌNG Hơi Nóng

Tính năng

1. Công tắc bật/tắt
2. Nút vận hành hơi nước
3. Vấu tiếp cận khay nước
4. Khay nước
5. Đầu nối đầu phun hơi
6. Đầu phun hơi
7. Tấm lau đầu phun hơi
8. Nút kết nối tay cầm
9. Tay cầm
10. Móc gấp gọn cáp
11. Bảng
12. Dây cáp nguồn
13. Bộ chuyển đổi phụ kiện
14. Bàn chải nhỏ (lông nhựa)
15. Chổi cao su nhỏ
16. Bàn chải chà vữa
17. Chổi cao su lớn
18. Đệm lót cho chổi cao su
19. Bàn chải lớn (lông nhựa)
20. Bàn chải nhỏ (lông bằng đồng)
21. Bàn chải nhỏ x2 (lông nhựa)
22. Thảm trượt

Lắp ráp



Cảnh Báo! Trước khi thực hiện bất kỳ hướng dẫn nào sau đây, hãy đảm bảo rằng thiết bị đã được tắt và rút phích cắm, đồng thời thiết bị nguội và không chứa nước.

Gắn tay cầm (Hình. C)

- Trượt đầu dưới của tay cầm (9) vào đầu trên của thân cây lau nhà hơi nước cho đến khi đầu nối tay cầm (8) khớp vào vị trí.

Gắn đầu phun hơi (Hình. D)

- Kết nối thân cây lau nhà với đầu phun hơi (6) qua đầu nối đầu phun hơi (5), đảm bảo đầu nối (5a) khớp vào vị trí trong lỗ hờ (5b).

Gắn tấm vải lau (Hình. E)

Tấm vải lau sàn thay thế có sẵn tại đại lý bán hàng BLACK + DECKER của bạn: - (Mã phụ kiện FSMP20-XJ).

- Đặt tấm lau (7) trên sàn với mặt 'vòng lặp' khóa dán hướng lên trên.
- Ấn nhẹ cây lau nhà hơi nước xuống tấm lau (7).

Thận trọng: Luôn đặt cây lau nhà với tay cầm (9) được đỡ ở vị trí thẳng đứng khi đứng yên và đảm bảo rằng cây lau nhà đã tắt khi không sử dụng.

Tháo tấm lau

Thận trọng! Luôn mang giày phù hợp khi thay tấm lau trên cây lau nhà hơi nước của bạn. Không đi dép lê hoặc giày dép hở mũi.

- Đưa tay cầm (9) trở lại vị trí thẳng đứng và 'TẮT' cây lau nhà hơi nước.
- Chờ cho đến khi hơi nước lau nguội (khoảng 5 phút).
- Nhấc cây lau nhà hơi nước ra khỏi tấm lau để giải phóng nó khỏi khóa dán.

Thận trọng! Luôn đặt cây lau nhà với tay cầm (9) được đỡ ở vị trí thẳng đứng khi đứng yên và đảm bảo rằng cây lau nhà đã tắt khi không sử dụng.

Sử dụng như một thiết bị cầm tay

- Ngắt kết nối bộ phận cầm tay khỏi đầu phun hơi bằng cách nhấn nút kết nối (5a) hình D.
- Tháo tay cầm (9) khỏi bộ phận cầm tay bằng cách nhấn nút đầu nối tay cầm (8) hình C.

Lắp phụ kiện (Hình. F)

- Lắp bộ chuyển đổi phụ kiện (13) vào thân chính của thiết bị để đảm bảo nút (13a) khớp vào lỗ tương ứng.
- Gắn phụ kiện cần thiết vào bộ chuyển đổi phụ kiện (13) và vặn theo chiều kim đồng hồ để khóa vào vị trí.

Làm đầy khay nước (Hình. G)

Lưu ý! Đổ đầy nước máy sạch vào khay chứa nước.

Lưu ý! Ở những nơi nước cứng, cần sử dụng nước khử ion.

- Mở vấu tiếp cận khay nước (3).
- Đổ đầy nước (4) vào khay chứa nước.

Cảnh Báo! Khay chứa nước của bạn có dung tích 380ml.

Không đổ đầy khay nước.

- Thay vấu tiếp cận khay nước.

Lưu ý! Đảm bảo rằng vấu tiếp cận khay nước được cố định chắc chắn.

Lưu ý! Không sử dụng chất tẩy rửa hóa học cho khay chứa nước của cây lau nhà hơi nước của bạn.

Sử dụng

Quan trọng! Thiết bị này sẽ tiêu diệt 99,9% vi khuẩn và vi trùng khi được sử dụng theo đúng hướng dẫn trong hướng dẫn này và với tấm đệm vi sợi được trang bị và thời gian hoạt động liên tục là 90 giây.

Bật và tắt công tắc

- Để bật thiết bị, hãy nhấn nút BẬT/TẮT (1). Mất khoảng 15 giây để cây lau hơi nước nóng lên.

- Nhấn nút vận hành hơi nước (2). Thao tác này sẽ vận hành máy bơm và thiết bị sẽ bắt đầu tạo ra hơi nước.
- Để ngừng tạo hơi nước, hãy chuyển nút vận hành hơi nước (2) thành tắt. Điều này sẽ duy trì nguồn điện cho lò hơi để khởi động nhanh hơn.

- Để tắt thiết bị, hãy nhấn nút BẬT/TẮT (1).

Thận trọng! Không được để cây lau nhà hơi nước ở một chỗ trên bất kỳ bề mặt trong khoảng thời gian.

Luôn đặt cây lau nhà với tay cầm (9) được đỡ ở vị trí thẳng đứng khi đứng yên và đảm bảo rằng cây lau nhà đã tắt khi không sử dụng.

Thận trọng! Luôn làm trống hơi nước lau nhà sau khi sử dụng.

Lưu ý! Khi đổ nước lần đầu hoặc sau khi cạn nước, có thể mất đến 45 giây để tạo ra hơi nước.

Các gợi ý để sử dụng tối ưu

Tổng quan

Thận trọng: Không được sử dụng cây lau nhà hơi nước mà không gắn tấm lau trước.

- Luôn hút bụi hoặc quét sàn trước khi sử dụng cây lau nhà hơi nước.
- Cách đơn giản nhất để sử dụng thiết bị là nghiêng tay cầm một góc 45° và làm sạch từ từ, phủ một vùng nhỏ tại một thời điểm..
- Không sử dụng chất tẩy rửa hóa học cho cây lau nhà hơi nước của bạn. Để loại bỏ các vết bẩn cứng đầu trên sàn vinyl hoặc sàn vải sơn, bạn có thể xử lý trước bằng chất tẩy rửa nhẹ và một ít nước trước khi sử dụng cây lau nhà hơi nước.

Làm sạch hơi nước

- Đặt tấm lau (7) trên sàn với mặt 'vòng lặp' khóa dán hướng lên trên.
- Ấn nhẹ cây lau nhà hơi nước xuống tấm lau (7).
- Kết nối cây lau nhà hơi nước với nguồn điện.
- Nhấn nút BẬT/TẮT (1). Mất khoảng 15 giây để cây lau hơi nước nóng lên.
- Nhấn nút vận hành hơi nước (2). Sau một vài giây, hơi nước sẽ bắt đầu thoát ra từ đầu phun hơi.

Lưu ý! Khi đổ nước lần đầu hoặc sau khi cạn nước, có thể mất đến 45 giây để tạo ra hơi nước.

- Phải mất vài giây để hơi nước đi vào tấm lau. Lúc này, cây lau nhà hơi nước sẽ dễ dàng lướt trên bề mặt cần vệ sinh/ làm sạch.
- Đẩy và kéo cây lau nhà hơi nước từ từ khắp bề mặt để làm sạch hoàn toàn từng bộ phận bằng hơi nước.
- Khi bạn sử dụng xong cây lau nhà hơi nước, hãy để tay cầm (9) về vị trí thẳng đứng, đảm bảo rằng nó được đỡ và chuyển nó thành 'TẮT'. Chờ cho đến khi hơi nước lau nguội (khoảng năm phút).

Thận trọng! Điều quan trọng là phải theo dõi mực nước trong khay nước (4). Để đổ đầy nước vào khay chứa nước và tiếp

tục vệ sinh/làm sạch, hãy đặt cây lau nhà thẳng đứng, đảm bảo rằng tay cầm được đỡ và vận 'TẮT' cây lau nhà. Rút phích cắm thiết bị khỏi ổ cắm điện trên tường, đổ đầy nước vào khay chứa (4).

Thận trọng! Không được để cây lau nhà hơi nước ở một chỗ trên bất kỳ bề mặt trong khoảng thời gian. Luôn đặt cây lau nhà với tay cầm (9) được đỡ ở vị trí thẳng đứng khi đứng yên và đảm bảo rằng cây lau nhà đã tắt khi không sử dụng.

Sau khi sử dụng (Hình. H)

- 'TẮT' cây lau nhà hơi nước. chuyển nút vận hành hơi nước (2) thành tắt, sau đó nhấn nút BẬT/TẮT (1).
- Chờ cho đến khi hơi nước lau nguội.
- Rút phích cắm của cây lau nhà hơi nước khỏi ổ cắm điện trên tường.
- Làm trống nước trong khay.
- tháo tấm lau (7) và giặt nó để sẵn sàng cho lần sử dụng tiếp theo.
- Quấn cáp điện nguồn xung quanh móc gọn gàng (10).

Thông số kỹ thuật

		FSMH13E5	FSMH13E10
Điện áp	V _{ac}	220-240	220-240
Công suất	W	1300	1300
Dung tích khay nước	ml	380	380
Trọng lượng	kg	1.8	1.8

Xử lý sự cố

Nếu thiết bị của bạn có vẻ không hoạt động bình thường, hãy làm theo hướng dẫn bên dưới. Nếu cách này không giải quyết được vấn đề, vui lòng liên hệ với đại lý dịch vụ của BLACK+DECKER tại địa phương của bạn.

Sự cố	Bước	Giải pháp khả thi
Cây lau hơi nước không bật	1.	Kiểm tra xem liệu thiết bị đã được cắm vào ổ cắm trên tường chưa.
	2.	Kiểm tra xem liệu Thiết bị đã được bật chưa bằng cách sử dụng công tắc BẬT/TẮT (1)
	3.	Kiểm tra xem liệu cầu chì trong phích cắm chưa.

Sự cố	Bước	Giải pháp khả thi
Cây lau nhà hơi nước không tạo ra hơi nước	4.	Kiểm tra xem liệu khay nước (4) đã đầy chưa. LƯU Ý: Khi đổ nước lần đầu hoặc sau khi cạn nước có thể mất đến 45 giây để tạo ra hơi nước.
	5.	Kiểm tra xem nút tạo hơi có ở vị trí BẬT (2) hay không.
	6.	Bộ phun hơi được trang bị bộ điều chỉnh nhiệt và cầu chì nhiệt. Nếu vì bất kỳ lý do gì mà gây ra tình trạng bộ phun hơi quá nóng, nó sẽ tắt. Nếu điều này xảy ra, hãy tắt và rút phích cắm của cây lau nhà hơi nước, để nguội từ 2 đến 4 giờ và thử lại.
Tôi có thể có thêm thông tin/ phụ kiện ở đâu	7.	Tham khảo chương lắp ráp của hướng dẫn này đối với việc lắp đúng các bộ phận và phụ kiện.

Bảo trì và vệ sinh

Thiết bị/dụng cụ có dây/không dây của BLACK+DECKER được thiết kế để hoạt động trong thời gian dài và ít phải bảo trì nhất. Việc vận hành liên tục theo ý muốn tùy thuộc vào việc bảo quản đúng cách và vệ sinh thường xuyên.

Cảnh Báo! Trước khi thực hiện bất kỳ sự bảo trì hoặc vệ sinh thiết bị có dây điện nào, hãy tắt và rút phích cắm của thiết bị.

- Lau sạch thiết bị của bạn bằng vải mềm ẩm.
- Đối với những vết bẩn cứng đầu, bạn có thể sử dụng dung dịch xà phòng nhẹ và nước để làm ẩm vải.

Bảo trì tấm lau

Hướng dẫn giặt - Không dùng nước xả vải - Để khô hoàn toàn trước khi sử dụng lại.

Thận trọng! Làm theo hướng dẫn làm sạch được in trên nhãn của tấm lau.

Bảo vệ môi trường



Thu gom riêng. Không được vứt bỏ sản phẩm này cùng với rác thải sinh hoạt thông thường.

Nếu sản phẩm BLACK+DECKER của bạn cần phải thay thế, hoặc bạn không sử dụng nó trong tương lai nữa, đừng vứt bỏ cùng với rác thải sinh hoạt. Sản phẩm này phải được thu gom riêng.



Thu gom riêng sản phẩm và hộp đóng gói đã qua sử dụng sẽ cho phép tái chế và tái sử dụng vật liệu. Tái sử dụng vật liệu tái chế giúp ngăn chặn ô nhiễm môi trường và giảm nhu cầu vật liệu thô.

Luật lệ địa phương có thể quy định việc thu gom riêng các sản phẩm điện gia dụng, tại các bãi rác thải đô thị hoặc bởi những người bán lẻ khi bạn mua sản phẩm mới.

BLACK+DECKER cung cấp một cơ sở thu thập và tái chế các sản phẩm BLACK+DECKER khi chúng đã hết tuổi thọ. Để tận dụng lợi thế của dịch vụ này, vui lòng gửi lại sản phẩm của bạn đến các đại lý dịch vụ được ủy quyền, họ sẽ thay mặt chúng tôi thu thập chúng.

Thông tin dịch vụ

BLACK+DECKER có sẵn một mạng lưới các trung tâm trực thuộc và ủy quyền trên toàn Châu Á. Tất cả các Trung tâm dịch vụ của BLACK+DECKER đều có đội ngũ nhân viên lành nghề nhằm cung cấp cho khách hàng dịch vụ về dụng cụ điện hiệu quả và tin cậy. Khi cần tư vấn kỹ thuật, sửa chữa hoặc phụ tùng thay thế chính hãng, vui lòng liên hệ với cơ sở BLACK+DECKER gần nhất.

LƯU Ý

- Chính sách của BLACK+DECKER là không ngừng cải tiến sản phẩm và do đó, chúng tôi có quyền thay đổi thông số kỹ thuật sản phẩm mà không cần báo trước.
- Các thiết bị và phụ kiện chuẩn có thể khác nhau tùy theo từng quốc gia.
- Thông số kỹ thuật của sản phẩm có thể khác nhau tùy theo từng quốc gia.
- Danh mục sản phẩm hoàn chỉnh có thể không có mặt tại tất cả các quốc gia. Liên hệ với các đại lý của BLACK+DECKER tại quốc gia bạn để được cung cấp danh mục sản phẩm.