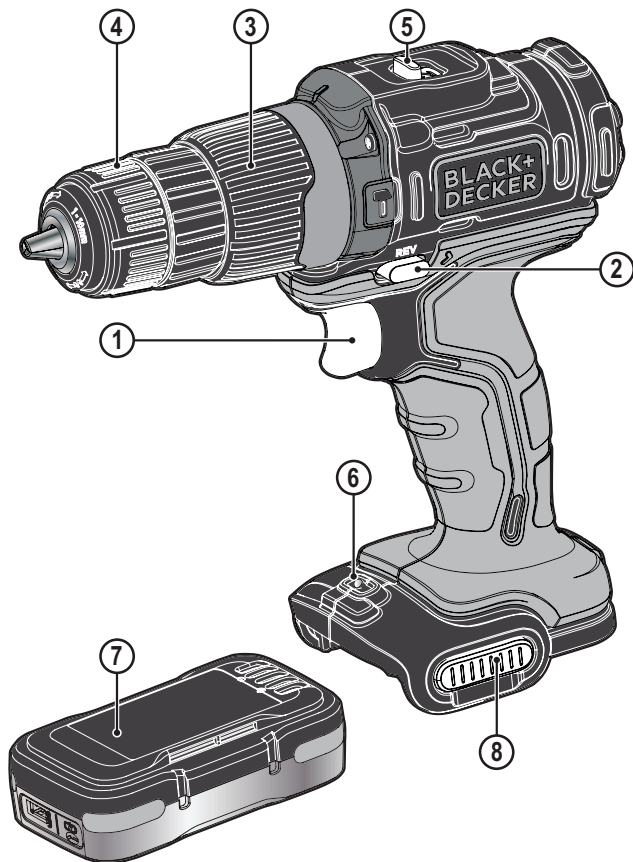
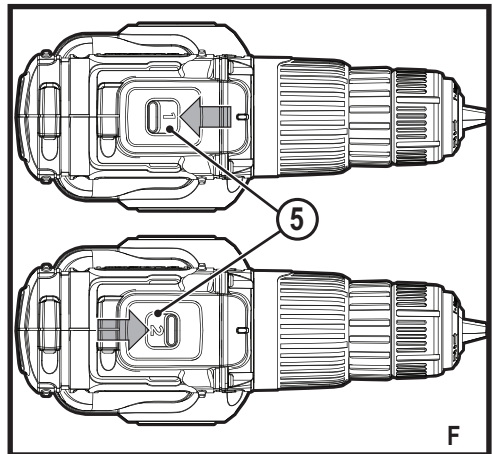
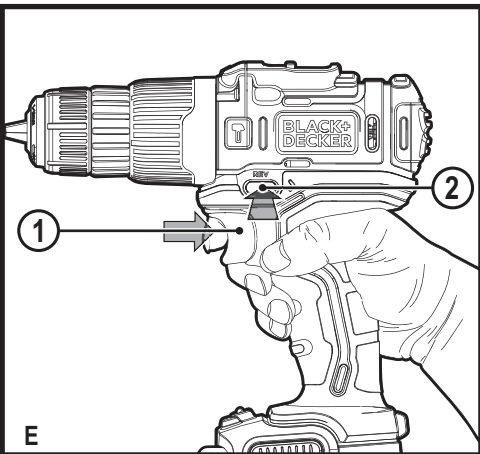
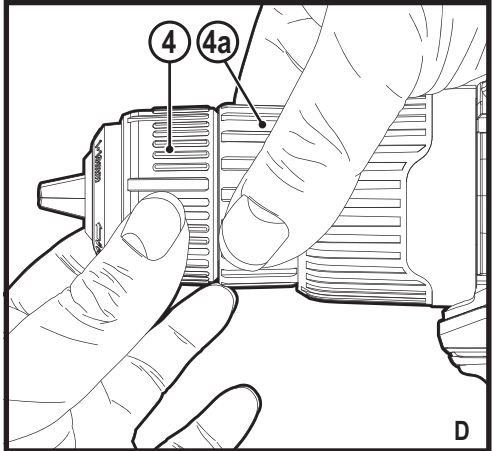
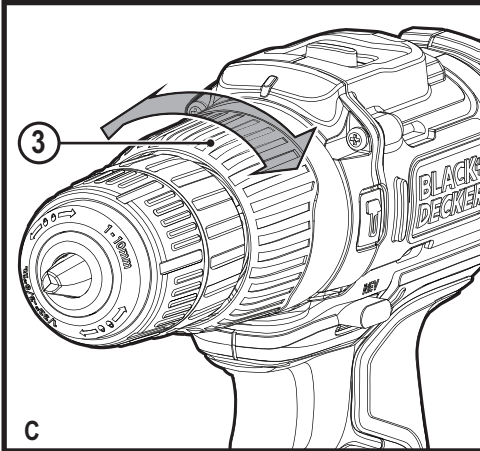
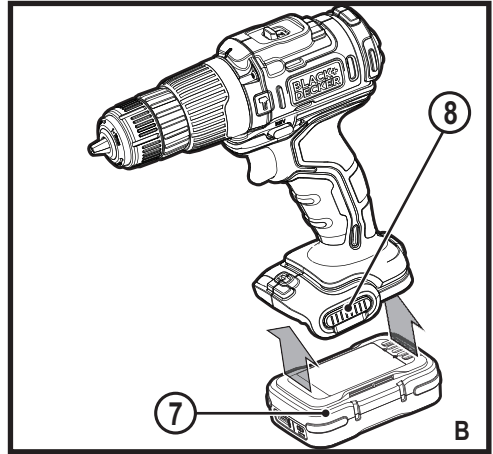
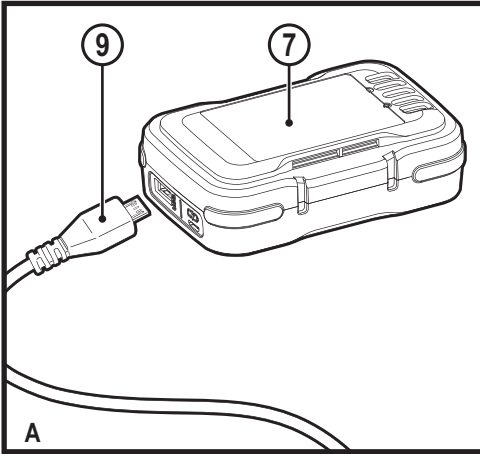


# BLACK+ DECKER™



**BDCHD12U**

English	3
简体中文	8
한국어	13
Bahasa Indonesia	19
ภาษาไทย	25



## Intended use

Your BLACK+DECKER BDCHD12U - Impact Drill, has been designed for screwdriving applications and for drilling in wood, metal and masonry. This tool is intended for consumer use only.

## Safety instructions

### General power tool safety warnings



**Warning! Read all safety warnings and all instructions.** Failure to follow the warnings and instructions listed below may result in electric shock, fire and/or serious injury.

### Save all warnings and instructions for future reference.

The term "power tool" in all of the warnings listed below refers to your mains operated (corded) power tool or battery operated (cordless) power tool.

1. **Work area safety**
  - a. **Keep work area clean and well lit.** Cluttered or dark areas invite accidents.
  - b. **Do not operate power tools in explosive atmospheres, such as in the presence of flammable liquids, gases or dust.** Power tools create sparks which may ignite the dust or fumes.
  - c. **Keep children and bystanders away while operating a power tool.** Distractions can cause you to lose control.
2. **Electrical safety**
  - a. **Power tool plugs must match the outlet. Never modify the plug in any way. Do not use any adapter plugs with earthed (grounded) power tools.** Unmodified plugs and matching outlets will reduce risk of electric shock.
  - b. **Avoid body contact with earthed or grounded surfaces such as pipes, radiators, ranges and refrigerators.** There is an increased risk of electric shock if your body is earthed or grounded.
  - c. **Do not expose power tools to rain or wet conditions.** Water entering a power tool will increase the risk of electric shock.
  - d. **Do not abuse the cord. Never use the cord for carrying, pulling or unplugging the power tool. Keep cord away from heat, oil, sharp edges or moving parts.** Damaged or entangled cords increase the risk of electric shock.
  - e. **When operating a power tool outdoors, use an extension cord suitable for outdoor use.** Use of a cord suitable for outdoor use reduces the risk of electric shock.
  - f. **If operating a power tool in a damp location is unavoidable, use a residual current device (RCD) protected supply.** Use of an RCD reduces the risk of electric shock.
3. **Personal safety**
  - a. **Stay alert, watch what you are doing and use common sense when operating a power tool. Do not use a power tool while you are tired or under the influence of drugs, alcohol or medication.** A moment of inattention while operating power tools may result in serious personal injury.
  - b. **Use personal protective equipment. Always wear eye protection.** Protective equipment such as dust mask, non-skid safety shoes, hard hat, or hearing protection used for appropriate conditions will reduce personal injuries.
  - c. **Prevent unintentional starting. Ensure the switch is in the off-position before connecting to power source and/or battery pack, picking up or carrying the tool.** Carrying power tools with your finger on the switch or energising power tools that have the switch on invites accidents.
  - d. **Remove any adjusting key or wrench before turning the power tool on.** A wrench or a key left attached to a rotating part of the power tool may result in personal injury.
  - e. **Do not overreach. Keep proper footing and balance at all times.** This enables better control of the power tool in unexpected situations.
  - f. **Dress properly. Do not wear loose clothing or jewellery. Keep your hair, clothing and gloves away from moving parts.** Loose clothes, jewellery or long hair can be caught in moving parts.
  - g. **If devices are provided for the connection of dust extraction and collection facilities, ensure these are connected and properly used.** Use of dust collection can reduce dust-related hazards.
4. **Power tool use and care**
  - a. **Do not force the power tool. Use the correct power tool for your application.** The correct power tool will do the job better and safer at the rate for which it was designed.
  - b. **Do not use the power tool if the switch does not turn it on and off.** Any power tool that cannot be controlled with the switch is dangerous and must be repaired.
  - c. **Disconnect the plug from the power source and/or the battery pack from the power tool before making any adjustments, changing accessories, or storing power tools.** Such preventive safety measures reduce the risk of starting the power tool accidentally.
  - d. **Store idle power tools out of the reach of children and do not allow persons unfamiliar with the power tool or these instructions to operate the power tool.** Power tools are dangerous in the hands of untrained users.

- e. **Maintain power tools. Check for misalignment or binding of moving parts, breakage of parts and any other condition that may affect the power tools operation. If damaged, have the power tool repaired before use.** Many accidents are caused by poorly maintained power tools.
  - f. **Keep cutting tools sharp and clean.** Properly maintained cutting tools with sharp cutting edges are less likely to bind and are easier to control.
  - g. **Use the power tool, accessories and tool bits etc. in accordance with these instructions, taking into account the working conditions and the work to be performed.** Use of the power tool for operations different from those intended could result in a hazardous situation.
5. **Battery tool use and care**
- a. **Recharge only with the charger specified by the manufacturer.** A charger that is suitable for one type of battery pack may create a risk of fire when used with another battery pack.
  - b. **Use power tools only with specifically designated battery packs.** Use of any other battery packs may create a risk of injury and fire.
  - c. **When battery pack is not in use, keep it away from other metal objects, like paper clips, coins, keys, nails, screws, or other small metal objects, that can make a connection from one terminal to another.** Shorting the battery terminals together may cause burns or a fire.
  - d. **Under abusive conditions, liquid may be ejected from the battery; avoid contact. If contact accidentally occurs, flush with water. If liquid contacts eyes, additionally seek medical help.** Liquid ejected from the battery may cause irritation or burns.
6. **Service**
- a. **Have your power tool serviced by a qualified repair person using only identical replacement parts.** This will ensure that the safety of the power tool is maintained.

### Additional power tool safety warnings



**Warning!** Additional safety warnings for drills

- ◆ **Use auxiliary handles supplied with the tool.** Loss of control can cause personal injury.
- ◆ **Hold power tool by insulated gripping surfaces when performing an operation where the cutting accessory may contact hidden wiring.** Cutting accessory contacting a "live" wire may make exposed metal parts of the power tool "live" and could give the operator an electric shock.

- ◆ **Use clamps or another practical way to secure and support the workpiece to a stable platform.** Holding the work by hand or against your body leaves it unstable and may lead to loss of control.
- ◆ Before drilling into walls, floors or ceilings, check for the location of wiring and pipes.
- ◆ Avoid touching the tip of a drill bit just after drilling, as it may be hot.
- ◆ The intended use is described in this instruction manual. The use of any accessory or attachment or performance of any operation with this tool other than those recommended in this instruction manual may present a risk of personal injury and/or damage to property.

### Safety of others

- ◆ This tool is not intended for use by persons (including children) with reduced physical, sensory or mental capabilities, or lack of experience and knowledge, unless they have been given supervision or instruction concerning use of the tool by a person responsible for their safety.
- ◆ Children should be supervised to ensure that they do not play with the appliance.

### Residual risks

Additional residual risks may arise when using the tool which may not be included in the enclosed safety warnings. These risks can arise from misuse, prolonged use etc.

Even with the application of the relevant safety regulations and the implementation of safety devices, certain residual risks can not be avoided. These include:

- ◆ Injuries caused by touching any rotating/moving parts.
- ◆ Injuries caused when changing any parts, blades or accessories.
- ◆ Injuries caused by prolonged use of a tool. When using any tool for prolonged periods ensure you take regular breaks.
- ◆ Impairment of hearing.
- ◆ Health hazards caused by breathing dust developed when using your tool (example:- working with wood, especially oak, beech and MDF.)

### Labels on tool

The following pictograms are shown on the tool along with the date code:



**Warning!** To reduce the risk of injury, the user must read the instruction manual.

## Additional safety instructions for batteries

### Batteries

- ◆ Never attempt to open for any reason.
- ◆ Do not expose the battery to water.
- ◆ Do not store in locations where the temperature may exceed 40 °C.
- ◆ Charge only at ambient temperatures between 10 °C and 40 °C.
- ◆ Charge only using the charger provided with the tool.
- ◆ When disposing of batteries, follow the instructions given in the section "Protecting the environment".



Do not attempt to charge damaged batteries.



The tool is intended for indoor use only.

- ◆ If the supply cord is damaged, it must be replaced by the manufacturer or an authorised BLACK+DECKER Service Centre in order to avoid a hazard.

### Features

This tool includes some or all of the following features.

1. Variable speed switch
2. Forward/reverse slider
3. Torque adjustment collar
4. Keyless chuck
5. Dual range gearing
6. LED work light
7. Battery
8. Battery release button

### Assembly

#### Use

**Warning!** Let the tool work at its own pace. Do not overload.

#### Charging the battery (fig. A)

The battery needs to be charged before first use and whenever it fails to produce sufficient power on jobs that were easily done before. The battery may become warm while charging; this is normal and does not indicate a problem.

**Warning!** Do not charge the battery at ambient temperatures below 10 °C or above 40 °C. Recommended charging temperature: approx. 24 °C.

**Note:** The charger will not charge a battery if the cell temperature is below approximately 10 °C or above 40 °C.

The battery should be left in the charger and the charger will begin to charge automatically when the cell temperature warms up or cools down.

- ◆ To charge the battery, insert the USB charger (9) (not supplied) into the Battery (7).
- ◆ Plug the charger (9) into a suitable power source and switch on.
- ◆ Charge discharged batteries within 1 week. Battery life will be greatly diminished if stored in a discharged state.

**Warning!** fire Hazard. When disconnecting the charger from the tool, be sure to unplug the charger from the outlet first, then disconnect the charger cord from the tool.

#### Fitting and removing the battery (fig. B)

- ◆ To fit the battery, line it up with the receptacle on the tool. Slot the battery into the receptacle and push up until the battery snaps into place.
- ◆ To remove the battery, push the release buttons (8) while at the same time pulling the battery out of the receptacle.

### Operating Instructions

#### Trigger switch & reversing button (fig. E)

- ◆ The drill is turned ON and OFF by pulling and releasing the trigger switch (1). The farther the trigger is depressed, the higher the speed of the drill.
- ◆ A forward/reverse control button (2) determines the direction of the tool.
- ◆ To select forward rotation, release the trigger switch and depress the forward/reverse control button to the left.
- ◆ To select reverse, depress the forward/reverse control button the opposite direction.

#### Torque control (fig. C)

This tool is fitted with a torque adjustment collar (3) to select the operating mode and to set the torque for tightening screws. Large screws and hard workpiece materials require a higher torque setting than small screws and soft workpiece materials.

- ◆ For drilling in wood, metal and plastics, set the collar to the drilling position symbol
- ◆ For screwdriving, set the collar to the desired setting. If you do not yet know the appropriate setting, proceed as follows:
  - ◆ Set the collar to the lowest torque setting.
  - ◆ Tighten the first screw.
  - ◆ If the clutch ratchets before the desired result is achieved, increase the collar setting and continue tightening the screw. Repeat until you reach the correct setting. Use this setting for the remaining screws.

### Keyless chuck (fig. D)

To insert a drill bit or other accessory:

- ◆ Grasp the rear half of the chuck (4a) with one hand and use your other hand to rotate the front half (4) in the counterclockwise direction, as viewed from the chuck end.
- ◆ Insert the bit or other accessory fully into the chuck, and tighten securely by holding the rear half of the chuck and rotating the front portion in the clockwise direction as viewed from the chuck end.

**Warning!** Do not attempt to tighten drill bits (or any other accessory) by gripping the front part of the chuck and turning the tool on. Damage to the chuck and personal injury may occur when changing accessories.

### Dual range gearing (Figure F)

The dual range feature of your drill allows you to shift gears for greater versatility. To select low speed, high torque setting (position 1), turn tool off and permit to stop. Slide gear shifter button (5) away from the chuck. To select the high speed, low torque setting (position 2), turn tool off and permit to stop. Slide gear shifter button towards the chuck.

**Note:** Do not change gears when tool is running. If you are having trouble changing gears, make sure that the dual range gear button is either completely pushed forward or completely pushed back.

### Drilling/screwdriving

- ◆ Select forward or reverse rotation using the forward/reverse slider (2).
- ◆ To switch the tool on, press the switch (1). The tool speed depends on how far you press the switch.
- ◆ To switch the tool off, release the switch.

### Hints for optimum use

#### Drilling

- ◆ Use sharp drill bits only.
- ◆ Support and secure work properly, as instructed in the Safety Instructions.
- ◆ Use appropriate and required safety equipment, as instructed in the Safety Instructions.
- ◆ Secure and maintain work area, as instructed in the Safety Instructions.
- ◆ Run the drill very slowly, using light pressure, until the hole is started enough to keep the drill bit from slipping out of it.
- ◆ Apply pressure in a straight line with the bit. Use enough pressure to keep the bit biting but not so much as to stall the motor or deflect the bit.
- ◆ Hold the drill firmly with two hands to control its twisting action.

- ◆ DO NOT CLICK THE TRIGGER OF A STALLED DRILL OFF AND ON IN AN ATTEMPT TO START IT. DAMAGE TO THE DRILL CAN RESULT.
- ◆ Minimize stalling on breakthrough by reducing pressure and slowly drilling through the last part of the hole.
- ◆ Keep the motor running while pulling the bit out of a drilled hole. This will help reduce jamming.
- ◆ Make sure switch turns drill on and off.

### Drilling in wood

Holes in wood can be made with the same twist drill bits used for metal or with spade bits. These bits should be sharp and should be pulled out frequently when drilling to clear chips from the flutes.

### Drilling in metal

Use a cutting lubricant when drilling metals. The exceptions are cast iron and brass which should be drilled dry. The cutting lubricants that work best are sulfurized cutting oil or lard oil.

### Drilling in masonry

For drilling in masonry, set the collar (3) to the hammer drilling position by aligning the symbol with the marking. Slide the speed selector (5) towards the front of the tool (2nd gear).

### Screwdriving

- ◆ Always use the correct type and size of screwdriver bit.
- ◆ If screws are difficult to tighten, try applying a small amount of washing liquid or soap as a lubricant.
- ◆ Always hold the tool and screwdriver bit in a straight line with the screw

### Troubleshooting

Problem	Possible cause	Possible solution
Unit will not start.	Battery pack not charged.	Check battery pack charging requirements
Battery pack will not charge.	Charger not plugged in.  Surrounding air temperature too hot or too cold.	Plug charger into a working outlet.  Move charger and battery pack to a surrounding air temperature of above 40 degrees F (45°C) or below 105 degrees F (+40.5°C)
Unit shuts off abruptly.	Battery pack has reached its maximum thermal limit.  Out of charge. (To maximize the life of the battery pack it is designed to shutoff abruptly when the charge is depleted	Allow battery pack to cool down.  Place on charger and allow to charge.

**Technical data**

BDCHD12U		
Voltage	V <sub>dc</sub>	12
No-load speed		0 - 350 / 0 -1350 RPM
Blows per minute		20,250 BPM
Max. torque	Nm	17.5 / 40
Chuck capacity	mm	1 - 10
Max Drilling capacity		
Steel/wood/Masonry	mm	10 / 25/ 10
Weight	kg	0.90 (with battery 1.15)

BDCB12U		
Voltage	V <sub>dc</sub>	12
Capacity	Ah	1.5
Type		Lithium-Ion

**Maintenance**

Your BLACK+DECKER tool has been designed to operate over a long period of time with a minimum of maintenance. Continuous satisfactory operation depends upon proper tool care and regular cleaning. Your charger does not require any maintenance apart from regular cleaning. Your charger does not require any maintenance apart from regular cleaning.

**Warning!** Before performing any maintenance on the tool, remove the battery from the tool. Unplug the charger before cleaning it.

- ◆ Regularly clean the ventilation slots in your tool and charger using a soft brush or dry cloth.
- ◆ Regularly clean the motor housing using a damp cloth. Do not use any abrasive or solvent-based cleaner.
- ◆ Regularly open the chuck and tap it to remove any dust from the interior.

**Protecting the environment**



Separate collection. This product must not be disposed of with normal household waste.

needs replacement, or if it is of no further use to you, do not dispose of it with household waste. Make this product available for separate collection.



Separate collection of used products and packaging allows materials to be recycled and used again. Re-use of recycled materials helps prevent environmental pollution and reduces the demand for raw materials.

**Service Information**

BLACK+DECKER offers a full network of company-owned and authorized service locations throughout Asia. All BLACK+DECKER Service Centers are staffed with trained personnel to provide customers with efficient and reliable product service. Whether you need technical advice, repair, or genuine factory replacement parts, contact the BLACK+DECKER location nearest to you.

**NOTE**

- ◆ BLACK+DECKER's policy is one of continuous improvement to our products and, as such, we reserve the right to change product specifications without prior notice.
- ◆ Standard equipment and accessories may vary by country.
- ◆ Product specifications may differ by country.
- ◆ Complete product range may not be available in all countries.

Contact your local BLACK+DECKER dealers for range availability.

**Batteries**



There are no user-serviceable parts inside.

- ◆ At the end of your products life return the whole unit to your service agent or to a local recycling station to have the battery recycled. Do not throw the unit with household waste.



## 设计用途

您的 BLACK+DECKER BDCD12U - 冲击钻设计用于螺丝安装以及在木材、钢材和砖石上钻孔。本工具仅供消费者使用。

## 安全说明

### 电动工具通用安全警告



**警告！** 阅读随电动工具提供的所有安全警告、说明、图示和规定。不遵照以下所列说明会导致电击、着火和/或严重伤害。

保存所有警告和说明书以备查阅。

警告中的术语“电动工具”指市电驱动（有线）电动工具或电池驱动（无线）电动工具。

#### a) 工作场地的安全

- 1) 保持工作场地清洁和明亮。杂乱和黑暗的场地会引发事故。
- 2) 不要在易爆环境，如有易燃液体、气体或粉尘的环境下操作电动工具。电动工具产生的火花会点燃粉尘或气体。
- 3) 操作电动工具时，远离儿童和旁观者。注意力不集中会使操作者失去对工具的控制。

#### b) 电气安全

- 1) 电动工具插头必须与插座相配。绝不能以任何方式改装插头。需接地的电动工具不能使用任何转换插头。未经改装的插头和相配的插座将降低电击风险。
- 2) 避免人体接触接地表面，如管道、散热片和冰箱。如果你身体接地会增加电击风险。
- 3) 不得将电动工具暴露在雨中或潮湿环境中。水进入电动工具将增加电击风险。
- 4) 不得滥用电线。绝不能用软线搬运、拉动电动工具或拔出其插头。使软线远离热源、油、锐边或运动部件。受损或缠绕的软线会增加电击风险。
- 5) 当在户外使用电动工具时，使用适合户外使用的延长线。适合户外使用的电线将降低电击风险。
- 6) 如果无法避免在潮湿环境下操作电动工具，应使用带有剩余电流装置（RCD）保护的电源。RCD 的使用可降低电击风险。

#### c) 人身安全

- 1) 保持警觉，当操作电动工具时关注所从事的操作并保持清醒。当你感到疲倦，或在有药物、酒精或

治疗反应时，不要操作电动工具。在操作电动工具时瞬间的疏忽会导致严重人身伤害。

- 2) 使用个人防护装置。始终佩戴护目镜。防护装置，诸如适当条件下使用防尘面具、防滑安全鞋、安全帽、听力防护等装置能减少人身伤害。
  - 3) 防止意外起动。在连接电源和/或电池盒、拿起或搬运工具前确保开关处于关断位置。手指放在开关上搬运工具或开关处于接通时通电会导致危险。
  - 4) 在电动工具接通之前，拿掉所有调节钥匙或扳手。遗留在电动工具旋转零件上的扳手或钥匙会导致人身伤害。
  - 5) 手不要过分伸展。时刻注意立足点和身体平衡。这样能在意外情况下能更好地控制住电动工具。
  - 6) 着装适当。不要穿宽松衣服或佩戴饰品。让你的头发和衣服远离运动部件。宽松衣服、佩饰或长发可能会卷入运动部件。
  - 7) 如果提供了与排屑、集尘设备连接用的装置，要确保其连接完好且使用得当。使用集尘装置可降低尘屑引起的危险。
  - 8) 不要因为频繁使用工具而产生的熟悉感而掉以轻心，忽视工具的安全准则。某个粗心的动作可能在瞬间导致严重的伤害。
- #### d) 电动工具使用和注意事项
- 1) 不要勉强使用电动工具，根据用途使用合适的电动工具。选用合适的按照额定值设计的电动工具会使你工作更有效、更安全。
  - 2) 如果开关不能接通或关断电源，则不能使用该电动工具。不能通过开关来控制的电动工具是危险的且必须进行修理。
  - 3) 在进行任何调节、更换附件或贮存电动工具之前，必须从电源上拔掉插头和/或卸下电池包（如可拆卸）。这种防护性的安全措施降低了电动工具意外起动的风险。
  - 4) 将闲置不用的电动工具贮存在儿童所及范围之外，并且不允许不熟悉电动工具和不了解这些说明的人操作电动工具。电动工具在未经培训的使用者手中是危险的。
  - 5) 维护电动工具及其附件。检查运动部件是否调整到位或卡住，检查零件破损情况和影响电动工具运行的其他状况。如有损坏，应在使用前修理好电动工具。许多事故是由维护不良的电动工具引发的。
  - 6) 保持切削刀具锋利和清洁。维护良好地有锋利切削刃的刀具不易卡住而且容易控制。



- 7) 按照使用说明书, 并考虑作业条件和要进行的作业来选择电动工具、附件和工具的刀头等。将电动工具用于那些与其用途不符的操作可能会导致危险情况。
- 8) 保持手柄和握持表面干燥、清洁, 不得沾有油脂。在意的情况下, 湿滑的手柄不能保证握持的安全和对工具的控制。

#### e) 维修

- 1) 由专业维修人员使用相同的备件维修电动工具。这将保证所维修的电动工具的安全。

### 电动工具附加安全警告



**警告!** 电钻附加安全警告

- ◆ 请使用工具随附的辅助手柄。操作失手会引起人身伤害。
- ◆ 若钻具在进行操作时可能会接触到隐藏的电线, 请握住绝缘手柄表面。切割配件如果接触到“带电”导线, 电动工具的金属部件表面就会“带电”, 并使操作人员触电。
- ◆ 请使用夹具或采取其它可行的方法, 把工件可靠地固定在稳定的平台上。手持或用身体顶住工件都是不稳定的, 会导致操作失控。
- ◆ 在墙上、地板或天花板上钻孔之前, 请检查电线和管道位置。
- ◆ 不要在钻孔后立刻碰触可能还带热的钻头尖端。
- ◆ 本使用手册描述了工具的设计用途。使用非本使用手册所建议的任何其他附件或配件, 或者使用本工具执行非手册建议的任何其他操作, 都可能存在人身伤害和/或财产损失的危险。

### 他人安全

- ◆ 本工具不适合体力、感觉或智力不足, 或者缺乏经验及知识的人员(包括小孩)使用, 除非负责他们安全的人员已经为他们提供关于使用此器具的监督或指示。
- ◆ 应看管好儿童, 以确保他们不将此设备当做玩具来玩。

### 其他风险

使用工具时, 可能出现本安全警示之外的其他剩余风险。这些风险可能来自使用不当、使用时间过长等。尽管遵守了相关的安全法规并采用了安全装备, 某些其他风险仍然是无法避免的。这些风险包括:

- ◆ 接触旋转/运动部件时所导致的伤害风险。
- ◆ 更换部件、锯片或配件时所导致的伤害风险。
- ◆ 长期使用工具所导致的伤害风险。长期使用任何工具时, 均应定期休息。
- ◆ 听力损伤。
- ◆ 吸入工具使用过程中产生的粉尘导致的健康危害(例如, 锯切木材, 特别是橡木、山毛榉和中密度纤维板时)。

### 工具上的标签

工具上显示下列符号和日期码:



**警告!** 为降低伤害风险, 用户必须阅读使用手册。

### 电池的附加安全说明

#### 电池

- ◆ 不论基于任何理由, 都不要尝试打开电池。
- ◆ 请勿将电池暴露在水中。
- ◆ 不要将电池存放在温度可能超过 40°C 的地方。
- ◆ 只在环境温度介于 10°C 和 40°C 之间的情况下充电。
- ◆ 只能使用本工具随附的充电器为电池充电。
- ◆ 处理电池时, 请遵循“保护环境”部分所提供的说明进行。



不要尝试对损坏的电池充电。



工具仅供室内使用。

- ◆ 如果电源线损坏, 必须让制造商或授权的 BLACK+DECKER 服务中心更换以避免发生危险。

### 部件名称

本工具包含如下部分或全部部件。

1. 变速开关
2. 正/反转滑块
3. 扭矩调节轴环
4. 无锁匙夹头
5. 双档调速
6. LED 工作灯
7. 电池
8. 电池释放按钮

## 组装

## 使用

**警告!** 请让工具在自有速度下工作。请勿过载。

### 为电池充电 (图 A)

电池在首次使用之前, 以及无法像从前一样对工作轻松提供足够的电量时, 都需要充电。电池在充电时可能会变热; 这是正常现象, 而且并不表示出现问题。

**警告!** 请勿在环境温度低于 10°C 或高于 40°C 的情况下为电池充电。建议的充电温度大约 24°C。

**注: 若电池温度低于约 10°C 或高于 40°C, 充电器将不会为电池充电。**

电池应留在充电器内, 充电器会在电池温度升高或降低到合适温度时自动开始充电。

- ◆ 如果要为电池充电, 请将 USB 充电器 (9) (未提供) 插入电池 (7)。
- ◆ 将充电器 (9) 插入合适的电源, 并打开电源。
- ◆ 当电池电力耗尽时, 请在 1 周内进行充电。在电力耗尽状态下保存会大大缩短电池寿命。

**警告!** 火灾危险。断开充电器与工具的连接时, 确保先 from 插座上按下充电器插头, 然后断开充电器电源线与工具的连接。

### 安装及取出电池 (图 B)

- ◆ 要安装电池, 请将其与工具上的插座对齐。将电池滑入插座, 然后向上推动直到电池卡入定位。
- ◆ 要取出电池, 请按下释放按钮 (8), 同时将电池从插座中拉出。

## 操作说明

### 触发开关和反转按钮 (图 E)

- ◆ 电钻通过按下和松开触发开关 (1) 开启和关闭。触发开关按得越深, 钻孔速度就越快。
- ◆ 正/反转控制按钮 (2) 可确定工具方向。
- ◆ 若要选择正向旋转, 请松开触发开关, 然后将正/反转控制按钮拨到左边。
- ◆ 要选择反向旋转, 请向相反方向按下正/反转控制按钮。

### 扭矩控制 (图 C)

本工具配备用于选择操作模式以及设置扭矩以紧固螺钉的扭矩调节轴环 (3)。大螺丝和坚硬工件材料, 比小螺丝和柔软工件材料需要更高的扭矩设置。

- ◆ 要在木材、金属和塑料上钻孔, 可将轴环设置到钻孔位置符号处。

- ◆ 要执行螺旋操作, 将轴环设置到所需设置。如果尚不知道相应设置, 请执行下列操作:
- ◆ 将轴环设置到最低的扭矩设置。
- ◆ 拧紧第一个螺丝。
- ◆ 如果离合器在达到所需结果之前松脱, 请增加轴环设置并继续拧紧螺丝。重复直到设置正确为止。对其余螺丝使用此设置。

### 自紧式夹头 (图 D)

要插入钻头或其他附件:

- ◆ 以一只手握住夹头 (4a) 的后半部并使用另一只手以逆时针方向 (从夹头末端看) 旋转前半部 (4)。
- ◆ 将钻头或其它配件完全插入夹头, 握住夹头后半部并以顺时针方向 (从夹头末端看) 旋转前半部, 如此便可牢固地将其扭紧。

**警告!** 不要尝试通过握住夹头前端和打开工具来拧紧钻头 (或任何其它配件)。更换附件时可能会导致夹头损坏和人身伤害。

### 双档调速 (图 F)

电钻的双档功能可换挡以获得更大的适用性。若要选择低速高扭矩设置 (位置 1), 请关闭工具并让它停止转动。将换挡器按钮 (5) 滑离夹头。若要选择高速低扭矩设置 (位置 2), 请关闭工具并让它停止转动。将换挡器按钮滑回夹头处。

**注:** 工具运行时切勿换挡。如果无法换挡, 请确保双速换挡按钮已完全向前推动或完全向后推动。

### 钻孔/螺丝安装

- ◆ 使用正/反转滑块, 选择向前或后旋转 (2)。
- ◆ 要打开工具电源, 请按下开关 (1)。工具转速取决于按压开关的程度。
- ◆ 要关闭工具, 请松开开关。

### 最佳使用提示

#### 钻孔

- ◆ 只使用锋利的钻头。
- ◆ 依照安全指示, 适当地支撑和固定工件。
- ◆ 依照安全指示, 使用适当、必要的安全设备。
- ◆ 依照安全指示, 固定和维护工作区域。
- ◆ 慢慢地让电钻运转, 轻轻地施压, 直到钻头不会从所钻的洞中滑出为止。
- ◆ 用力方向需与钻头呈直线。请施加足够大的压力, 保证钻头钻进所需, 但不要大到马达失速或钻头倾斜。
- ◆ 请双手紧握电钻, 控制电钻的扭转动作。

- ◆ 请勿试图通过按下、松开触发开关来启动失速的电钻，否则会损坏电钻。
- ◆ 减轻压力并慢慢钻过洞的底部，以便将失速穿透的可能性降至最低。
- ◆ 从成孔中拉出钻头时，请保持马达运转。这样有助于避免钻头卡住。
- ◆ 确保开关可以将电钻启动和关闭。

## 在木材上钻孔

木材钻孔可以使用和钢材钻孔一样的麻花钻头或扁钻头。钻头应锋利，且在钻孔时应经常拔出钻头来清理钻屑。

## 在金属材料上钻孔

在金属上钻孔时，请使用切削润滑剂。但铸铁和黄铜材料例外，应干钻。效果最佳的切削润滑剂是硫化切削油或猪油。

## 在砖石材料上钻孔

要在砖石材料上钻孔，可通过对齐符号和标记，将轴环 (3) 设置到冲击钻孔位置。请将转速选择器 (5) 尽量向工具前方滑动 (2 档)。

## 螺丝安装

- ◆ 始终使用正确类型和尺寸的螺丝起子头。
- ◆ 如果螺钉难以转紧，请尝试用小量洗涤剂或肥皂作为润滑剂。
- ◆ 工具必须始终与螺丝起子头和螺钉成一直线。

## 故障排除

问题	可能原因	可能的解决方案
设备不启动。	电池组没有充电。	检查电池组是否需要充电。
电池组无法充电。	充电器未插电源。  周围气温太高或太低。	将充电器插入正常工作的插座。  将充电器和电池组移至周围气温高于 40°F (45°C) 或低于 105°F (+40.5°C) 的地方。
装置突然关闭。	电池组已经达到最大热界限。  电池耗尽。(为了确保电池组的使用寿命最大化,装置会在电池耗尽时突然关闭。)	等待电池组冷却。  将电池组放在充电器上充电。

## 技术参数

BDCHD12U		
电压	伏特 <sup>直流</sup>	12
空载转速		0 - 350 / 0 - 1350 RPM
每分钟冲击数		20,250 BPM
最大扭矩	牛米	17.5 / 40
夹头尺寸	毫米	1 - 10
最大钻孔能力		
钢材/木材/砖石	毫米	10 / 25 / 10
重量	千克	0.90 (含电池时则为 1.15)

BDCB12U		
电压	伏特 <sup>直流</sup>	12
电池容量	安时	1.5
类型		锂离子

## 维护

BLACK+DECKER 工具设计精良，可以长期使用，仅需极少维护。要连续获得令人满意的工作效果，需要进行合适的工具维护和定期清洁。除了定期清洁外，本充电器无需进行其他保养。除了定期清洁外，本充电器无需其他保养。

**警告!** 对工具执行维护之前，请取出工具内的电池。清洁之前，先拔出充电器插头。

- ◆ 请使用软刷或干布定期清洁工具和充电器内的通风槽。
- ◆ 定期使用湿布清洁电动机外壳。请勿使用任何研磨性或溶剂型清洁剂。
- ◆ 定期打开夹头并轻敲以去除内部的任何粉尘。

## 保护环境



分类回收。本产品不得与普通家庭垃圾一起处理。

若您发现您的产品需要进行替换，或您已经不再需要使用这些产品，请不要将它们与家庭废物一起处置。请将它们单独分类回收。



分类回收使用过的产品和包装能够让材料得以再循环和再利用。

再生材料的再利用有助于防止环境污染，并降低对原材料的需求。

## 服务信息

BLACK+DECKER 提供覆盖整个亚洲的公司隶属和授权服务地点。所有的 BLACK+DECKER 服务中心都具有训练有素的人员, 为客户提供高效和可靠的产品服务。不论您需要技术建议、维修或原厂替换部件, 请联系最靠近您的 BLACK+DECKER 地点。

## 备注

- ◆ BLACK+DECKER 的政策是持续改进我们的产品, 因此, 我们保留随时更改产品规格的权利, 恕不另行通知。
- ◆ 标准设备和附件可能会因国家(地区)而异。
- ◆ 不同国家(地区)的产品规格也可能会有所不同。
- ◆ 并非所有的国家(地区)都可提供完整的产品系列。

有关各产品系列的供货情况, 请联系您当地的 BLACK+DECKER 代理商。

## 电池



这些组件内没有可供用户维修的零件。

- ◆ 产品生命周期结束后, 请将整个装置送到您的服务代理处或当地的回收站, 以便回收电池。切勿将本设备与生活垃圾混合弃置。

制造商: 史丹利百得精密制造(深圳)有限公司

地址: 广东省深圳市宝安区石岩街道水田社区捷和工业城

产地: 中国深圳

## 용도

BLACK+DECKER BDCHD12U - 임팩트 드릴은 나사를 조이거나 목재, 금속 및 석재의 드릴 작업용으로 설계되었습니다. 본 공구는 전문가 및 일반 소비자용입니다.

## 안전 지침

### 전동 공구에 관한 일반 안전 경고



**경고! 안전 경고와 지시사항을 모두 읽으십시오.** 아래 나열된 경고와 지시사항을 준수하지 않으면 감전 및 화재 또는 심각한 부상을 초래할 수 있습니다.

항후 참고할 수 있도록 모든 경고 및 지시 사항을 보관해두십시오.

아래의 모든 경고에서 사용된 "전동 공구"라는 말은 주 공급 전원에 의해 전기가 공급되는(유선) 전동 공구 또는 충전식(무선) 전동 공구를 의미합니다.

#### 1. 작업장 안전

- a. **작업장을 항상 청결하고 밝게 유지하십시오.**  
혼잡하거나 어두운 작업장에서는 사고가 발생하기 쉽습니다.
- b. **가연성 액체, 가스 또는 먼지 등이 있는 폭발성 대기에서 전동 공구를 사용하지 마십시오.** 전동 공구에서 먼지나 가스를 발화시킬 수 있는 불꽃이 될 수 있습니다.
- c. **전동공구를 사용하는 공간에는 어린이 또는 주변 사람들이 가까이 오지 못하도록 하십시오.** 주변이 산만해져 통제력을 잃을 수 있습니다.

#### 2. 전기 안전

- a. **전동공구의 플러그는 콘센트와 형식이 일치해야 하며, 플러그를 어떤 형태로든 개조하지 마십시오.** 접지된(지면 접지) 전동 공구에 어떤 어댑터 플러그도 사용하지 마십시오. 개조되지 않은 플러그 및 형식이 일치하는 콘센트를 사용하면 감전 위험이 줄어듭니다.
- b. **파이프 관, 라디에이터, 렌지, 냉장고 등의 접지 표면에 물이 닿지 않도록 하십시오.** 몸에 닿을 경우 감전이 될 위험이 높아집니다.
- c. **전동 공구를 비 또는 습한 환경에 노출하지 않도록 주의하십시오.** 전동 공구에 물이 들어가면 감전 위험이 높아집니다.

- d. **코드를 함부로 다루지 마십시오.** 코드를 사용하여 전동공구를 운반하거나, 코드를 과도하게 잡아당겨서 플러그를 뽑지 않도록 주의 하십시오. 전열코드가 열기 또는 오일과 접촉되는 것을 피하고, 날카로운 모서리 또는 기기의 기동 부위에 닿지 않도록 주의 하십시오. 코드가 손상되거나 얽혀 있으면 감전 위험이 높아집니다.
  - e. **전동 공구를 실외에서 사용할 때는 실외 사용에 적합한 연장 코드를 사용하십시오.** 실외 사용에 적합한 코드를 사용하면 감전 위험이 줄어듭니다.
  - f. **어쩔 수 없이 습한 장소에서 전동 공구를 사용해야 하는 경우에는 누전 차단기(RCD)로 보호된 전원을 공급하십시오.** RCD를 사용하면 감전 위험이 줄어듭니다.
- ### 3. 신체 안전 사항
- a. **전동 공구로 작업할 때는 방심하지 말고 작업에 주의하면서 상식에 따르십시오.** 피곤한 상태이거나 약물, 술, 치료제를 복용한 상태에서는 전동 공구를 사용하지 마십시오. 전동 공구를 사용하는 중에 주의력을 잃어 순간적으로 부상을 당할 수 있습니다.
  - b. **신체 보호 장비를 착용하십시오.** 항상 보안경을 착용하십시오. 적합한 상황에서 방진 마스크, 미끄럼 방지 안전화, 안전모 또는 청력 보호 기구 등의 보호 장비를 사용하면 신체 부상 위험이 줄어듭니다.
  - c. **의도하지 않은 장비 자동 방지. 전원 및/또는 배터리 팩에 연결한 상태로 공구를 선택 또는 운반할 때는 사전에 스위치가 꺼짐 위치에 있는지 반드시 확인하십시오.** 스위치가 꺼짐 위치에 있는 상태에서 스위치에 손가락이 닿은 상태로 전동 공구를 운반하거나 전동 공구에 전원을 공급하면 사고가 발생합니다.
  - d. **전동 공구를 켜기 전에 모든 조정 키 또는 렌치를 제거하십시오.** 전동 공구의 회전 부품에 렌치나 키가 부착되어 있으면 부상을 당할 수 있습니다.
  - e. **무리하게 팔을 뻗지 마십시오.** 항상 올바른 자세로 서서 균형을 유지 하십시오. 안정된 자세로 작업을 할 경우 전동 공구를 안전하게 사용할 수 있습니다.
  - f. **적절한 작업복을 착용하십시오.** 헐렁한 옷이나 장신구를 착용하지 마십시오. 머리카락, 옷 및 장갑이 움직이는 부품에 닿지 않도록 유의하십시오. 헐렁한 옷, 장신구 또는 긴 머리카락 움직이는 부품에 걸 수 있습니다.
  - g. **먼지 배출 및 집진 시설 연결을 위한 장치가 제공된 경우, 이들 장치가 연결되어 적절히 사용되고 있는지 반드시 확인하십시오.** 집진 장치를 사용하면 먼지와 관련된 위험을 줄일 수 있습니다.

4. 전동 공구 사용 및 관리
  - a. 전동 공구에 무리한 힘을 가하지 마십시오. 해당 용도에 맞는 올바른 전동 공구를 사용하십시오. 올바른 전동 공구를 사용하여 설계된 속도로 작업을 더욱 안전하고 정확하게 수행할 수 있습니다.
  - b. 스위치 켜짐/꺼짐이 되지 않는 전동 공구는 사용하지 마십시오. 스위치로 제어되지 않는 전동 공구는 위험하므로 수리해야 합니다.
  - c. 전동 공구를 조정하거나 액세서리를 변경하거나 보관하기 전에 전원 및/또는 배터리 팩에서 플러그를 빼십시오. 이러한 예방적 안전 조치를 따라야 전동 공구가 갑자기 작동할 위험이 줄어듭니다.
  - d. 사용하지 않는 전동 공구는 어린이의 손이 닿지 않는 곳에 보관하고, 전동 공구나 본 지시 사항에 익숙하지 않은 사람이 전동 공구를 절대 사용하지 못하게 하십시오. 전동공구에 대한 훈련을 받지 않은 사용자가 전동공구를 함부로 다룰 경우 예기치 않은 사고를 초래 할 수 있습니다.
  - e. 전동 공구 유지 보수. 움직이는 부품의 잘못된 정렬이나 바인딩, 부품 파손 및 기타 전동 공구의 작동에 영향을 미칠 수 있는 상태가 있는지 확인하십시오. 손상된 부분이 있는 경우 사용하기 전에 전동 공구를 수리하십시오. 많은 사고는 전동 공구를 제대로 유지 보수하지 않아 발생합니다.
  - f. 절단 공구를 예리하고 깨끗한 상태로 유지하십시오. 절삭 가장자리를 예리하게 잘 유지하면 절삭기를 사용할 때 바인딩이 적고 다루기가 용이합니다.
  - g. 작업 환경과 수행할 작업을 고려하여, 본 지시 사항에 따라 전동 공구, 액세서리 및 톨 비트 등을 사용하십시오. 본 사용 설명서의 내용과 다른 용도로 전동 공구를 사용하면 위험한 상황이 발생할 수 있습니다.

5. 배터리 공구 사용 및 관리

- a. 충전할 때는 제조업체에서 지정한 충전기만 사용하십시오. 하나의 배터리 팩 유형에 적합한 충전기를 다른 배터리 팩과 함께 사용할 경우 화재의 위험이 있습니다.
- b. 전동 공구를 사용할 때는 구체적으로 지정되어 있는 배터리 팩만 사용하십시오. 다른 배터리 팩을 사용하면 부상을 입거나 화재의 위험이 있습니다.
- c. 배터리 팩을 사용하지 않을 때에는 클립, 동전, 키, 못, 나사 등의 금속 물체나, 단자 간에 연결할 수 있는 작은 금속 물체가 닿지 않도록 멀리 두십시오. 배터리 단자가 단락되면 화상을 입거나 화재가 발생할 위험이 있습니다.

- d. 배터리를 과다 사용하면 배터리에서 액체가 흘러 나올 수 있으므로 접촉을 피하십시오. 실수로 접촉한 경우에는 물로 씻으십시오. 액체가 눈에 들어간 경우 치료를 받으십시오. 배터리에서 나온 액체는 통증을 유발하거나 화상을 입힐 수 있습니다.

6. 정비

- a. 자격을 갖춘 기술자가 동일 교체 부품을 사용하여 정비 작업을 수행해야 합니다. 그렇게 함으로써 전동 공구의 안전성을 오래 유지 할 수 있습니다.

전동 공구에 관한 추가 안전 경고



경고! 드릴에 대한 추가 안전 경고

- ◆ 공구와 함께 제공되는 사이드 핸들을 사용하십시오. 제어력을 잃으면 신체 부상을 당할 수 있습니다.
- ◆ 절삭 액세서리가 숨겨진 배선에 접촉할 수 있는 작업을 수행할 때는 절연된 손잡이 부분을 이용해 전동 공구를 쥐십시오. "전류가 흐르는" 전선에 접촉된 절삭 액세서리는 전동 공구의 노출된 금속 부품을 "전류가 흐르는" 상태로 만들어 작업자를 감전시킬 수 있습니다.
- ◆ 클램프 또는 다른 적절한 방식을 이용하여 안정된 작업대에 작업 공구들을 고정시키거나 지지하십시오. 작업물을 손으로 잡거나 몸으로 지탱하는 행동은 불안정하여 제어력을 잃을 수 있습니다.
- ◆ 벽, 바닥 또는 천장에 드릴 작업을 하기 전에 배선 및 파이프의 위치를 확인하십시오.
- ◆ 드릴 작업을 한 후에는 드릴 끝이 뜨거울 수 있으므로 만지지 마십시오.
- ◆ 본 사용 설명서에 제품의 용도가 설명되어 있습니다. 본 사용 설명서에서 권장하는 방식 이외의 다른 방식으로 본 공구를 조작하거나 액세서리 또는 부착물을 사용하는 경우 신체 부상의 위험이 있거나 재산상의 손해가 발생할 수 있습니다.

다른 사람들의 안전

- ◆ 이 공구는 신체, 지각 또는 정신 능력이 낮거나 경험 및 지식이 부족한 사람(어린이 포함)이 사용하도록 설계되지 않았습니다. 이러한 사람이 사용할 때는 안전 책임자의 감독 또는 제품 사용과 관련된 지시 사항이 필요합니다.
- ◆ 어린이가 본 제품을 가지고 놀지 못하도록 항상 주시해야 합니다.



## 기타 발생 가능한 위험

공구를 사용할 때 동봉된 안전 경고에 포함되어 있지 않은 기타 발생 가능한 위험들이 있을 수 있습니다. 이러한 위험은 오용, 장시간 사용 등으로 인해 발생할 수 있습니다.

관련된 안전 규정을 준수하고 안전 장치를 사용한다고 해도 어떤 위험들은 피하지 못할 수도 있습니다. 이러한 위험으로는 다음과 같은 것들이 있습니다.

- ◆ 회전 부품이나 작동 부품을 만져 발생하는 부상.
- ◆ 부품, 톱날 또는 액세서리 변경으로 인한 부상.
- ◆ 장시간에 걸친 공구 사용으로 인한 부상. 어떤 공구이든 장시간에 걸쳐 사용할 때는 반드시 정기적인 휴식을 취하십시오.
- ◆ 청력 손상.
- ◆ 공구 사용 중에 발생하는 먼지를 호흡하여 유발되는 건강 위해성(예: 목재, 특히 오크, 너도밤나무 및 MDF 가공 작업).

## 공구 라벨

공구에는 공구에 표시된 날짜 코드와 함께 다음과 같은 그림 문자가 있습니다.



**경고!** 부상 위험을 줄이려면 사용자는 사용 설명서를 주의 깊게 읽어야 합니다.

## 배터리 추가 안전 지침

### 배터리

- ◆ 어떤 이유든 배터리 팩을 절대 열려고 하지 마십시오.
- ◆ 배터리에 물이 닿지 않도록 하십시오.
- ◆ 온도가 40°C를 초과할 수 있는 곳에 보관하지 마십시오.
- ◆ 주변 온도가 10°C - 40°C 사이에 있을 때에만 충전하십시오.
- ◆ 충전할 때는 이 공구와 함께 제공된 충전기만 사용해야 합니다.
- ◆ 배터리를 폐기할 때는 "환경 보호" 섹션에 나와 있는 지시 사항을 따르십시오.



손상된 배터리를 충전하지 마십시오.



공구는 실내용으로만 사용합니다.

- ◆ 전원 코드가 손상된 경우 사고가 발생하지 않도록 제조업체 또는 공인 BLACK+DECKER 서비스 센터에서 교체해야 합니다.

## 기능

본 공구에는 다음 기능들 중 일부 또는 모두가 포함되어 있습니다.

1. 가변 속도 스위치
2. 전진/후진 슬라이더
3. 토크 조절 칼라
4. 키리스 척
5. 2단 변속 기어 장치
6. LED 작업등
7. 배터리
8. 배터리 탈착 버튼

## 조립

### 사용법

**경고!** 공구를 정상 속도로 가동하십시오. 과부하가 발생하면 안 됩니다.

### 배터리 충전(그림 A)

배터리는 처음 사용하기 전에, 그리고 이전에 간단히 수행했었던 작업에서 전력이 부족할 때마다 충전해야 합니다. 충전 중에 배터리가 뜨거워질 수도 있습니다. 이는 정상적인 현상이며 고장이 아닙니다.

**경고!** 주변 온도가 10°C 미만이거나 40°C 이상일 때는 배터리를 충전하지 마십시오. 권장 충전 온도: 약 24°C.  
**참고:** 전지 온도가 10°C 미만이거나 40°C를 초과했을 때는 충전기가 배터리를 충전하지 않습니다. 배터리를 충전기에 남겨 둘 경우 전지 온도가 올라가거나 내려가면 충전기가 자동으로 충전을 시작합니다.

- ◆ 배터리를 충전하려면, USB 충전기(9) (제공되지 않음)를 배터리(7)에 끼웁니다.
- ◆ 충전기(9)의 플러그를 적합한 전원엔 콘센트에 꽂고 스위치를 켭니다.
- ◆ 방전된 배터리는 1주일 내에 충전하십시오. 방전된 상태로 보관하면 배터리 수명이 크게 저하됩니다.

**경고!** 화재 위험. 공구에서 충전기를 분리할 때, 먼저 콘센트에서 충전기의 플러그를 뺀 다음 공구에서 충전기 코드를 분리하십시오.

### 배터리 장착 및 분리(그림 B)

- ◆ 배터리를 끼우려면 배터리를 공구의 배터리 장착부에 맞춥니다. 배터리를 배터리 장착부에 끼우고 제자리에 들어갈 때까지 밀어 올립니다.

- ◆ 배터리를 분리하려면 두 개의 탈착 버튼(8)을 누르고 동시에 배터리를 배터리 장착부 밖으로 뺍니다.

## 작동 지침

### 트리거 스위치 및 후진 버튼(그림 E)

- ◆ 방아쇠 스위치(1)를 당겼다 놓으면 드릴이 켜졌다 꺼집니다. 트리거를 강하게 당길수록 드릴 속도는 높아집니다.
- ◆ 전진/후진 제어 버튼(2)은 공구의 회전 방향을 결정합니다.
- ◆ 전진 회전을 선택하려면 방아쇠 스위치를 놓고 전진/후진 제어 버튼을 왼쪽으로 눌러줍니다.
- ◆ 후진을 선택하려면 전진/후진 제어 버튼을 반대 방향으로 눌러 줍니다.

### 토크 제어(그림 C)

이 공구에는 토크 조절 칼라(3)가 장착되어 있어 작동 모드를 선택하고 토크를 설정해서 나사를 조일 수 있습니다. 대형 나사 및 경질 작업물 재료는 소형 나사 및 연성 작업물 재료보다 더 높은 토크 설정이 필요합니다.

- ◆ 목재, 금속 및 플라스틱의 드릴 작업 시에는 칼라를 드릴 위치 기호로 설정합니다.
- ◆ 나사를 조일 때는 칼라를 원하는 설정으로 지정합니다. 적절한 설정을 모를 경우에는 다음과 같이 진행하십시오.
- ◆ 칼라를 최저 토크 설정으로 지정합니다.
- ◆ 첫 번째 나사를 조입니다.
- ◆ 원하는 결과를 얻기 전에 클러치가 단계적으로 올라가면 칼라 설정을 증가시키고 나사를 계속 조입니다. 올바른 설정이 될 때까지 반복합니다. 나머지 나사에도 이 설정을 사용합니다.

### 키레스 척(그림 D)

드릴 비트 또는 기타 액세서리를 삽입하려면 다음과 같이 조치합니다.

- ◆ 한 손으로 척(4a)의 뒤쪽 절반을 잡고, 다른 손으로 사용해서 척 끝에서 봤을 때 앞쪽 절반(4)을 시계 반대 방향으로 돌립니다.
- ◆ 비트 또는 다른 액세서리를 척에 완전히 끼우고, 척 끝에서 봤을 때 척의 뒤쪽 절반을 잡고 앞쪽 부분을 시계 방향으로 척을 돌려 단단히 조입니다.

**경고!** 척의 앞부분을 잡고 공구를 켜서 드릴 비트(또는 기타 액세서리)를 조이려고 시도하지 마십시오. 액세서리를 변경할 경우 척이 손상되거나 신체 부상이 발생할 수 있습니다.

### 2단 변속 기어 장치(그림 F)

드릴의 2단 변속 기어를 통해 기어를 바꿔서 다양한 기능을 발휘할 수 있습니다. 저속을 선택하고 토크를 높게 설정(위치 1)하려면 공구를 꺼서 멈추게 합니다. 기어 변속장치 버튼(5)을 척에서 밀어냅니다. 고속을 선택하고 토크를 낮게 설정(위치 2)하려면 공구를 꺼서 멈추게 합니다. 기어 변속장치 버튼을 척 쪽으로 밀어냅니다.

**참고:** 공구가 작동 중인 경우에는 기어를 변경하지 마십시오. 기어를 변경하는 데 문제가 있으면 2단 변속 기어 버튼을 완전히 앞으로 밀었는지 또는 완전히 뒤로 밀었는지 확인하십시오.

### 드릴 작업/나사 조이기

- ◆ 전진/후진 슬라이더(2)를 사용하여 전진 또는 후진 회전을 선택합니다.
- ◆ 공구를 켜려면 스위치(1)를 누릅니다. 공구 속도는 스위치를 누르는 속도에 따라 다릅니다.
- ◆ 공구를 끄려면 스위치를 놓습니다.

### 최적의 사용법

#### 드릴 작업

- ◆ 날카로운 드릴 비트만 사용하십시오.
- ◆ 안전 지침에 설명된 대로 작업물을 제대로 지지하고 고정하십시오.
- ◆ 안전 지침에 설명된 대로 적절하고 필요한 안전 장구를 사용하십시오.
- ◆ 안전 지침에 설명된 대로 작업 영역을 고정하고 유지하십시오.
- ◆ 드릴 비트가 밖으로 밀려나지 않을 만큼 충분한 구멍이 생길 때까지 가벼운 압력을 가해서 아주 천천히 드릴을 작동하십시오.
- ◆ 항상 비트에 수직으로 압력을 가하십시오. 드릴 비트가 작업물을 파고들기에 충분한 압력을 가하되 모터가 과열되거나 비트가 변형될 정도로 강한 압력은 가하지 마십시오.
- ◆ 양 손으로 드릴을 단단히 잡아서 비틀림을 제어합니다.
- ◆ 드릴이 고착되어 움직이지 않는 상태에서 드릴을 다시 작동시키기 위해 트리거 스위치를 당기고 놓는 동작을 취하지 마십시오. 드릴이 손상될 수 있습니다.
- ◆ 구멍이 완전히 뚫릴 때까지 압력을 줄이고 느린 속도로 드릴 작업을 하면 자재를 뚫는 동안 고착되는 현상을 예방할 수 있습니다.
- ◆ 구멍을 뚫은 다음 비트를 빼낼 때도 모터를 가동 상태로 유지하십시오. 그래야 걸림 현상이 줄어듭니다.

- ◆ 스위치를 작동시켜 드릴이 켜지고 꺼지는지 확인하십시오.

### 목재 드릴 작업

금속용 트위스트 드릴이나 스페이드 비트로 목재를 뚫을 수 있습니다. 예리한 비트를 사용해야 하며, 드릴 작업 중 비트를 자주 빼내어 나선형 홈에 있는 부스러기를 털어 줍니다.

### 금속 드릴 작업

금속 드릴 작업 시에는 절삭 윤활유를 사용하십시오. 건조 상태로 드릴 작업을 해야 하는 주철과 황동의 경우는 예외입니다. 가장 효과적인 절삭 윤활유는 유황처리된 절삭 오일 또는 라드(lard) 오일입니다.

### 석재 드릴 작업

석재 드릴 작업 시에는 기호를 표시와 맞추어 칼라(3)를 햄머 드릴 위치로 설정합니다. 속도 선택기(5)를 공구 앞쪽(2단 기어)으로 밀니다.

### 나사 조이기

- ◆ 항상 올바른 유형과 크기의 드라이버 비트를 사용하십시오.
- ◆ 나사를 조이기 어려우면 소량의 액체 세제 또는 비누를 윤활유로 사용해 보십시오.
- ◆ 항상 공구와 드라이버 비트를 나사와 직각으로 잡으십시오.

### 문제 해결

문제	가능한 원인	가능한 해결책
기기가 작동하지 않습니다.	배터리 팩이 충전되지 않았습니다.	배터리 팩 충전 요구 사항을 확인하십시오.
배터리 팩이 충전되지 않습니다.	충전기 전원 플러그를 꽂지 않았습니다.  주변 기온이 너무 뜨겁거나 차갑습니다.	충전기의 전원 플러그를 콘센트에 꽂으십시오.  충전기와 공구를 섭씨 45도(40도 F) 이상 또는 섭씨 +40.5도(105도 F) 미만의 온도 환경으로 옮기십시오.
기기가 갑자기 꺼집니다.	배터리 팩이 최대 열 한계에 도달했습니다.  방전되었습니다. (배터리 팩의 수명을 최대화하기 위해 충전량이 급격히 감소하면 갑자기 꺼지도록 설계되어 있습니다)	배터리 팩을 식혀 주십시오.  충전기에 넣고 충전하십시오.

### 기술 데이터

BDCHD12U		
전압	V <sub>dc</sub>	10.8
무부하 속도		0 - 350 / 0 - 1350 RPM
분당타격수		20,250 BPM
최대 토크	Nm	17.5 / 40
척 용량	mm	1 - 10
최대 드릴 용량		
금속/목재/석재	mm	10 / 25 / 10
무게	kg	0.90(배터리 1.15 포함)

BDCB12U		
전압	V <sub>dc</sub>	10.8
용량	Ah	1.5
종류		리튬 이온

### 유지 보수

BLACK+DECKER 공구는 최소한의 유지 보수로 장기간에 걸쳐 작업이 가능하도록 설계되어 있습니다. 만족스러운 연속 작동은 적절한 공구 관리와 정기적인 청소에 따라 그 성능이 달라질 수 있습니다. 충전기는 정기적인 청소 이외에 유지 보수가 필요하지 않습니다. 충전기는 정기적인 청소 이외에 유지 보수가 필요하지 않습니다.

**경고!** 공구를 유지 보수하려면 먼저 공구에서 배터리를 분리하십시오. 충전기를 청소하기 전에 충전기의 플러그를 뽑으십시오.

- ◆ 부드러운 브러시와 마른 헝겊으로 공구 및 충전기의 환기 슬롯을 주기적으로 청소하십시오.
- ◆ 젖은 헝겊으로 모터 하우징을 주기적으로 청소하십시오.  
연마재 및 유성 클리너를 사용하지 마십시오.
- ◆ 척을 주기적으로 열고 가볍게 두드려 내부의 먼지를 털어내십시오.

### 환경 보호



분리 수거. 본 제품을 일반 가정용 쓰레기로 처리하면 안됩니다.

더 이상 사용하지 않을 경우, 가정용 쓰레기와 함께 버리지 마십시오. 이 제품은 분리 수거하십시오.



사용하던 제품과 포장을 분리 수거하면 자원을 재활용 및 재사용할 수 있습니다.

재활용 자원을 이용하면 환경 오염이 방지되고 고철 자원에 대한 수요를 줄일 수 있습니다.

### 서비스 정보

BLACK+DECKER 제품은 가까운 동부 대우전자 서비스센터(구 대우일렉서비스센터)에서 서비스를 받으실 수 있습니다. 모든 BLACK+DECKER 서비스 센터에는 교육을 이수한 전문 인원이 배치되어 있어 고객에게 효과적이고 믿을 수 있는 제품 서비스를 제공하고 있습니다. 기술 지원, 수리 또는 순정 교체 부품이 필요한 모든 경우에 가까운 BLACK+DECKER(1577-0933)로 연락하십시오.

### 참고

- ◆ BLACK+DECKER는 제품을 지속적으로 개선시키기 때문에 사전 통지 없이 제품 사양이 변경될 수 있습니다.
  - ◆ 기본 장비 및 액세서리 구성은 각 국가에 따라 다를 수 있습니다.
  - ◆ 제품 사양은 국가에 따라 다를 수 있습니다.
  - ◆ 국가에 따라 판매하지 않는 제품도 있을 수 있습니다.
- 제품 판매 여부는 해당 지역에 있는 BLACK+DECKER 판매점으로 문의하십시오.

### 배터리



내부에 사용자가 수리할 수 있는 부품이 없습니다.

- ◆ 제품 수명이 다하면 배터리를 서비스 대리점이나 지역 재활용 센터로 가져가십시오. 기기를 가정용 쓰레기와 함께 버리지 마십시오.

## Tujuan penggunaan

Bor Tumbuk BLACK+DECKER BDCHD12U Anda dirancang untuk mengobong dan untuk mengebor kayu, logam, dan dinding bata. Alat ini ditujukan hanya untuk penggunaan konsumen.

## Petunjuk keselamatan

### Peringatan umum untuk keselamatan alat listrik



**Perhatian! Baca seluruh peringatan keselamatan dan seluruh petunjuk.** Kegagalan mengikuti peringatan dan petunjuk yang tercantum di bawah ini dapat mengakibatkan sengatan listrik, kebakaran, dan/atau cedera berat.

### Simpan semua peringatan dan petunjuk untuk referensi di masa mendatang.

Istilah "alat listrik" dalam seluruh peringatan yang tercantum di bawah ini merujuk pada alat listrik bertenaga listrik (berkabel) atau alat listrik bertenaga baterai (nirkabel) Anda.

1. **Keselamatan area kerja**
  - a. **Jaga agar area kerja tetap bersih dan terang.** Area yang berantakan atau gelap berpotensi mengakibatkan kecelakaan.
  - b. **Jangan operasikan alat listrik di lingkungan yang dapat meledak, misalnya jika terdapat cairan, gas, atau debu yang mudah terbakar.** Alat listrik menimbulkan percikan api yang dapat menyulut debu atau uap.
  - c. **Jauhkan anak-anak dan orang-orang di sekitar Anda saat mengoperasikan alat listrik.** Gangguan dapat menyebabkan Anda kehilangan kendali.
2. **Keselamatan kelistrikan**
  - a. **Steker alat listrik harus sesuai dengan soketnya. Jangan pernah memodifikasi steker dengan cara apa pun. Jangan gunakan steker adaptor apa pun dengan alat listrik yang dibumikan (grounded).** Steker yang tidak dimodifikasi dan stopkontak yang sesuai akan mengurangi risiko sengatan listrik.
  - b. **Hindari kontak badan dengan permukaan yang dibumikan (grounded), seperti pipa, radiator, kompor, dan kulkas.** Risiko sengatan listrik dapat meningkat jika tubuh Anda bersentuhan dengan permukaan yang dibumikan.
  - c. **Jangan sampai alat listrik ini terkena hujan atau terpapar ke kondisi yang basah.** Air yang masuk ke alat listrik akan meningkatkan risiko sengatan listrik.
  - d. **Jangan menyalahgunakan kabel. Jangan sekali-kali menggunakan kabel untuk membawa, menarik, atau mencabut alat listrik. Jauhkan kabel dari panas, minyak, tepi tajam, atau komponen yang bergerak.** Kabel yang rusak atau terbelit meningkatkan risiko sengatan listrik.
  - e. **Bila mengoperasikan alat listrik di luar ruangan, gunakan kabel ekstensi yang sesuai untuk penggunaan di luar ruangan.** Menggunakan kabel yang sesuai untuk penggunaan di luar ruangan akan mengurangi risiko sengatan listrik.
  - f. **Jika terpaksa mengoperasikan alat listrik di lokasi lembap, gunakan catu daya yang dilindungi pemutus sirkuit arus sisa (RCD).** Penggunaan RCD akan mengurangi risiko sengatan listrik.
3. **Keselamatan diri**
  - a. **Tetap waspada, perhatikan apa yang Anda kerjakan dan gunakan akal sehat saat mengoperasikan perkakas listrik. Jangan mengoperasikan alat listrik bila Anda sedang lelah, atau berada di bawah pengaruh obat, alkohol, atau pengobatan.** Kelengahan sesaat saja saat mengoperasikan perkakas listrik dapat mengakibatkan cedera diri serius.
  - b. **Gunakan peralatan pelindung diri. Selalu kenakan alat pelindung mata.** Peralatan pelindung, seperti masker debu, sepatu keselamatan antiselip, helm proyek, atau pelindung telinga yang digunakan untuk kondisi yang sesuai akan mengurangi risiko cedera diri.
  - c. **Hindarkan menyalakan alat tanpa disengaja. Pastikan bahwa sakelar sudah dalam posisi mati sebelum menghubungkannya ke sumber listrik dan/atau baterai, mengambil, atau membawa alat.** Membawa alat listrik dengan jari Anda masih menempel pada tombol atau menghidupkan alat listrik yang tombolnya masih menyala akan berpotensi mengakibatkan kecelakaan.
  - d. **Lepaskan semua kunci setelan atau kunci pas sebelum menghidupkan alat listrik.** Kunci pas atau kunci yang dibiarkan terpasang pada komponen alat listrik yang berputar dapat mengakibatkan cedera diri.
  - e. **Jangan melampaui batas. Selalu jaga pijakan dan keseimbangan yang baik.** Hal ini memungkinkan Anda untuk mengendalikan alat listrik secara lebih baik dalam situasi yang tidak terduga.
  - f. **Kenakan pakaian yang sesuai. Jangan mengenakan pakaian longgar atau perhiasan. Jauhkan rambut, pakaian dan sarung tangan dari komponen yang bergerak.** Pakaian yang longgar, perhiasan atau rambut panjang dapat tersangkut pada komponen yang bergerak.

- g. Jika disediakan perangkat untuk sambungan fasilitas pengeluaran dan pengumpulan debu, pastikan alat ini dihubungkan dan digunakan dengan sesuai. Penggunaan alat pengumpul debu dapat mengurangi bahaya yang ditimbulkan oleh debu.
4. Penggunaan dan pemeliharaan alat listrik
- a. Jangan menggunakan alat listrik dengan paksa. Gunakan alat listrik yang sesuai untuk aplikasi Anda. Alat listrik yang tepat akan bekerja lebih baik dan aman pada tingkat kelajuan yang telah dirancang untuk alat itu.
- b. Jangan gunakan alat listrik ini jika sakelar tidak dapat menghidupkan dan mematikan alat. Alat listrik apa pun yang tidak dapat dikendalikan dengan tombol adalah berbahaya dan harus diperbaiki.
- c. Lepaskan stopkontak dari sumber listrik dan/atau baterai dari alat listrik sebelum melakukan penyetelan apa pun, mengganti aksesoris, atau menyimpan alat listrik. Tindakan pencegahan untuk keselamatan seperti itu akan mengurangi risiko menyalakan alat listrik secara tidak disengaja.
- d. Simpan alat listrik yang tidak digunakan jauh dari jangkauan anak-anak, dan jangan membolehkan orang yang tidak memahami alat listrik atau petunjuk ini untuk mengoperasikannya. Alat listrik dapat berbahaya bila digunakan oleh pengguna yang tidak terlatih.
- e. Rawat alat listrik. Lakukan pemeriksaan untuk mengetahui apakah ada komponen bergerak yang tidak sejajar atau bengkok, komponen yang patah, dan kondisi lainnya yang dapat memengaruhi pengoperasian alat listrik. Jika rusak, perbaiki alat listrik sebelum digunakan. Banyak terjadi kecelakaan akibat alat listrik yang tidak terawat dengan baik.
- f. Jaga ketajaman dan kebersihan alat pemotong. Alat pemotong yang terawat dengan baik dengan mata potong yang tajam akan kecil kemungkinannya untuk macet serta lebih mudah untuk dikendalikan.
- g. Gunakan alat listrik, aksesoris, dan mata bor, dsb., sesuai petunjuk ini, dengan memperhitungkan persyaratan kerja dan jenis pekerjaan yang harus dilakukan. Penggunaan alat listrik untuk pengoperasian yang tidak sesuai dengan tujuan penggunaan dapat mengakibatkan situasi yang berbahaya.
5. Penggunaan dan pemeliharaan alat bertenaga baterai
- a. Isi ulang daya baterai hanya dengan pengisi daya yang ditetapkan oleh pabrik. Pengisi daya yang cocok untuk satu tipe baterai dapat menimbulkan risiko kebakaran jika digunakan pada baterai lainnya.

- b. Gunakan alat hanya dengan baterai yang ditujukan secara khusus. Penggunaan baterai lainnya dapat menimbulkan risiko cedera dan kebakaran.
- c. Bila tidak dipakai, jauhkan baterai dari benda logam lainnya seperti klip penjepit kertas, koin, kunci, paku, sekrup, atau benda logam kecil lainnya yang dapat menimbulkan hubungan listrik dari satu terminal ke terminal lainnya. Menghubungkan kedua terminal baterai dengan kabel secara tidak semestinya dapat mengakibatkan luka bakar atau kebakaran.
- d. Pemakaian yang salah bisa menyebabkan keluarnya cairan dari baterai; hindari kontak. Jika tidak sengaja tersentuh, bilas dengan air. Jika cairan mengenai mata, carilah juga bantuan medis. Cairan yang keluar dari baterai dapat menyebabkan iritasi atau luka bakar.

## 6. Servis

- a. Alat listrik sebaiknya diservis oleh teknisi yang berkualifikasi dan hanya menggunakan komponen pengganti yang persis sama. Hal ini akan membuat keamanan alat listrik selalu terjaga.

## Peringatan tambahan untuk keamanan alat listrik



**Peringatan!** Peringatan keamanan tambahan untuk bor

- ◆ Gunakan pegangan tambahan yang disertakan dengan alat ini. Lepasnya kendali dapat menimbulkan cedera diri.
- ◆ Pegang alat listrik pada permukaan pegangan berpenyekat saat melakukan pengoperasian di mana aksesoris pemotong dapat bersentuhan dengan kabel tersembunyi. Aksesoris pemotong yang menyentuh kabel "aktif" dapat menyebabkan bagian logam alat listrik yang terbuka "hidup" dan dapat mengakibatkan operator tersengat listrik.
- ◆ Gunakan jepitan atau cara praktis lain untuk mengamankan dan menyangga benda kerja pada landasan yang stabil. Memegang benda dengan tangan atau disandarkan pada tubuh Anda akan membuatnya tidak stabil dan dapat mengakibatkan hilangnya kendali.
- ◆ Sebelum mengebor tembok, lantai, atau langit-langit, periksa dulu penempatan kabel dan pipa.
- ◆ Hindari menyentuh ujung mata bor segera setelah mengebor, karena bisa jadi panas.



- ◆ Tujuan penggunaan dijelaskan dalam panduan pengguna ini. Menggunakan aksesori atau peralatan tambahan, maupun mengoperasikan alat ini dengan cara yang tidak sesuai dengan yang disarankan dalam panduan pengguna ini dapat menimbulkan risiko cedera tubuh dan/ atau kerusakan benda-benda milik pribadi.

### Keselamatan orang lain

- ◆ Alat ini tidak ditujukan untuk digunakan oleh orang (termasuk anak-anak) dengan keterbatasan kemampuan fisik, sensor, maupun mental, atau kurang pengalaman maupun pengetahuan, kecuali jika di bawah pengawasan atau menerima petunjuk tentang penggunaan peralatan oleh orang yang bertanggung jawab atas keselamatan mereka.
- ◆ Anak-anak harus diawasi agar mereka tidak bermain-main dengan peralatan ini.

### Risiko-risiko lain

Risiko-risiko lain dapat timbul saat menggunakan alat, yang mungkin tidak tercantum dalam peringatan keselamatan yang disertakan. Risiko-risiko ini dapat diakibatkan oleh penyalahgunaan, penggunaan yang terlalu lama, dsb. Sekalipun peraturan keselamatan terkait sudah diterapkan dan peralatan pengaman sudah digunakan, risiko-risiko lain tertentu tidak dapat dihindari. Ini meliputi:

- ◆ Cedera yang diakibatkan karena menyentuh komponen yang berputar/bergerak.
- ◆ Cedera yang terjadi saat mengganti komponen, pemotong, atau aksesori.
- ◆ Cedera yang diakibatkan karena penggunaan alat untuk waktu lama. Jika menggunakan alat apa pun untuk waktu yang lama, pastikan Anda mengistirahatkannya secara berkala.
- ◆ Kerusakan indera pendengaran.
- ◆ Bahaya kesehatan yang disebabkan oleh menghirup debu yang ditimbulkan oleh penggunaan alat (contoh: mengampelas kayu, khususnya kayu oak, beech, dan MDF)

### Label pada alat

Piktogram berikut beserta kode tanggal ditampilkan pada peralatan dengan kode tanggal:



**Peringatan!** Untuk mengurangi risiko cedera, pengguna harus membaca buku petunjuk.

### Petunjuk keselamatan tambahan untuk baterai

#### Baterai

- ◆ Jangan pernah membuka baterai untuk alasan apa pun.
- ◆ Jangan paparkan baterai pada air.
- ◆ Jangan simpan di lokasi yang suhunya melebihi 40 °C.
- ◆ Lakukan pengisian daya hanya pada suhu lingkungan antara 10 °C hingga 40 °C.
- ◆ Isi ulang daya hanya menggunakan pengisi daya yang disertakan bersama alat.
- ◆ Saat membuang baterai, ikuti petunjuk yang diberikan dalam bagian "Melindungi Lingkungan".



Jangan pernah mengisi ulang daya baterai rusak.



Alat hanya ditujukan untuk penggunaan dalam ruangan.

- ◆ Jika rusak, kabel daya harus diganti oleh produsen atau Pusat Servis BLACK+DECKER resmi guna menghindari terjadinya bahaya.

#### Fitur

Alat ini memiliki beberapa atau semua fitur berikut ini.

1. Sakelar kecepatan variabel
2. Penggeser maju/mundur
3. Cincin penyesuai torsi
4. Gagang gerak tanpa tombol
5. Pemilih persneling rentang ganda
6. Lampu kerja LED
7. Baterai
8. Tombol pelepas baterai

#### Perakitan

#### Penggunaan

**Peringatan!** Biarkan alat bekerja sesuai kecepatannya. Jangan dibebani berlebihan.

#### Mengisi daya baterai (gbr. A)

Baterai perlu diisi ulang sebelum penggunaan pertama dan setiap kali baterai tidak mampu menghasilkan daya yang memadai untuk mengerjakan pekerjaan yang sebelumnya mudah dilakukan. Baterai akan menghangat pada saat diisi ulang; ini wajar dan tidak menandakan adanya masalah.

**Peringatan!** Jangan isi daya baterai pada suhu sekitar di bawah 10°C atau di atas 40°C. Suhu pengisian daya yang disarankan: sekitar 24 °C.

**Catatan:** Pengisi daya tidak akan mengisi ulang baterai jika suhu sel di bawah kurang lebih 10 °C atau di atas 40 °C. Baterai harus dibiarkan dalam pengisi daya, dan pengisi daya akan mulai mengisi ulang daya secara otomatis bilamana suhu sel menghangat atau mendingin.

- ◆ Untuk mengisi daya baterai, masukkan pengisi daya USB (9) (tidak disertakan) ke dalam Baterai (7).
- ◆ Colokkan pengisi daya (9) ke sumber listrik yang sesuai dan nyalakan.
- ◆ Isi ulang baterai kosong sebelum 1 minggu. Masa pakai baterai akan menurun drastis jika disimpan dalam kondisi kosong.

**Peringatan!** Bahaya terbakar. Saat melepaskan pengisi daya dari alat, pastikan untuk mencabut pengisi daya dari stopkontak terlebih dahulu, kemudian cabut kabel pengisi daya dari alat.

### Memasang dan melepas baterai (gambar B)

- ◆ Untuk memasang baterai, sejajarkan dengan wadah pada alat. Masukkan baterai ke dalam wadahnya dan dorong sampai baterai terpasang dengan pas.
- ◆ Untuk melepas baterai, tekan tombol pelepas (8) dan tarik baterai keluar dari lubang.

### Petunjuk Pengoperasian

#### Sakelar pemacu & tombol pemalik (gbr. E)

- ◆ Bor MATI dan MENYALA dengan menarik dan melepaskan sakelar pemacu (1). Makin dalam pemacu ditekan, makin cepat kecepatan bormya.
- ◆ Tombol kontrol yang maju/mundur (2) menentukan arah alat.
- ◆ Untuk memilih rotasi maju, lepaskan sakelar pemacu dan tekan tombol kendali maju/mundur ke kiri.
- ◆ Untuk memilih rotasi mundur, tekan tombol kendali maju/mundur ke arah berkebalikan.

#### Kontrol torsi (gbr. C)

Alat ini dipasang dengan cincin pengatur torsi (3) untuk memilih mode pengoperasian dan menyetel torsi untuk mengencangkan obeng. Sekrup besar dan material benda keras membutuhkan penyetelan torsi yang lebih tinggi dibandingkan sekrup kecil dan material benda lunak.

- ◆ Untuk mengebor kayu, logam, dan plastik, setel cincin ke simbol posisi pengeboran

- ◆ Untuk mengobeng, setel cincin ke penyetelan yang diinginkan. Jika Anda belum mengetahui setelan yang tepat, ikuti langkah-langkah berikut:
- ◆ Setel cincin ke setelan torsi terendah.
- ◆ Kencangkan sekrup pertama.
- ◆ Jika kopling berputar ke satu arah saja sebelum hasil yang diinginkan tercapai, tingkatkan penyetelan cincin dan teruskan mengencangkan sekrup. Ulangi sampai Anda mendapatkan setelan yang tepat. Gunakan setelan ini untuk sekrup-sekrup selanjutnya.

#### Gagang gerak tanpa tombol (gbr. D)

Untuk memasukkan mata bor atau aksesoris lainnya:

- ◆ Pegang bagian belakang penjepit (4a) dengan satu tangan dan gunakan tangan lainnya untuk memutar bagian depan (4) berlawanan dengan arah jarum jam, bila dilihat dari bagian belakang penjepit.
- ◆ Masukkan mata bor atau aksesoris lainnya sepenuhnya ke gagang gerak, lalu kencangkan dengan memegang setengah bagian belakang gagang gerak dan memutar bagian depannya searah jarum jam sebagaimana dilihat dari ujung gagang gerak.

**Peringatan!** Jangan pernah mengencangkan mata bor (atau aksesoris apa pun) dengan cara memegang erat bagian depan gagang gerak dan menyalakan alat. Mengganti aksesoris dengan cara seperti ini dapat mengakibatkan kerusakan pada gagang gerak dan cedera diri.

#### Roda gigi rentang ganda (Gbr. F)

Dengan fitur rentang ganda dari bor, Anda dapat mengatur roda gigi untuk fleksibilitas yang lebih besar. Untuk memilih pengaturan torsi tinggi (posisi 1) berkecepatan rendah, matikan alat dan biarkan berhenti. Geser tombol pengatur roda gigi (5) menjauh dari gagang gerak. Untuk memilih pengaturan torsi rendah (posisi 2) berkecepatan tinggi, matikan alat dan biarkan berhenti. Geser tombol pengatur roda gigi menuju ke gagang gerak.

**Catatan:** Jangan ubah roda gigi saat alat sedang berjalan. Jika Anda mengalami kesulitan mengubah roda gigi, pastikan bahwa tombol roda gigi rentang ganda sepenuhnya ditekan ke depan atau sepenuhnya ditekan ke belakang.

#### Mengebor/mengobeng

- ◆ Pilih rotasi maju atau mundur dengan menggunakan penggeser maju/mundur (2).
- ◆ Untuk menyalakan alat, tekan tombol (1). Kecepatan alat tergantung pada seberapa jauh Anda menekan sakelar.
- ◆ Untuk mematikan alat, lepas sakelar.

**Petunjuk untuk penggunaan secara optimal**

**Mengebor**

- ◆ Gunakan hanya mata bor yang tajam.
- ◆ Sangga dan kencangkan material kerja dengan benar, sebagaimana dijelaskan dalam Petunjuk Keselamatan.
- ◆ Gunakan peralatan keselamatan yang tepat dan diperlukan, sebagaimana dijelaskan dalam Petunjuk Keselamatan.
- ◆ Amankan dan jaga area kerja, sebagaimana dijelaskan dalam Petunjuk Keselamatan.
- ◆ Jalankan bor dengan sangat lambat, menggunakan tekanan ringan, hingga lubang mulai cukup menjaga mata bor tetap meluncur melewati lubang itu.
- ◆ Selalu beri penekanan dalam garis lurus dengan mata bor. Gunakan cukup tekanan untuk menjaga agar mata bor tidak melenceng, namun jangan terlalu kuat sampai motor macet atau mata bor rusak.
- ◆ Pegang bor dengan erat menggunakan dua tangan untuk mengendalikan kerja putarannya.
- ◆ **JANGAN MENGEKLIK PEMICU BERULANG KALI UNTUK BERUSAHA MENYALAKAN BOR YANG MACET. INI DAPAT MENYEBABKAN KERUSAKAN PADA BOR.**
- ◆ Minimalkan risiko kemacetan melalui terobosan dengan mengurangi tekanan dan mengebor secara perlahan melalui bagian terakhir dari lubang.
- ◆ Tetap jalankan motor saat menarik mata bor keluar dari lubang yang dibor. Ini akan membantu mengurangi kemacetan.
- ◆ Pastikan sakelar menyalakan dan mematikan bor.

**Mengebor kayu**

Lubang di kayu dapat dibuat dengan mata bor ulir yang sama yang digunakan untuk logam atau dengan mata bor yang berujung lebar. Mata bor ini harus tajam dan harus sering ditarik keluar saat pengeboran untuk membersihkan serpihan dari galur.

**Mengebor logam**

Gunakan pelumas pemotong saat mengebor logam. Kecuali untuk besi tuangan dan kuningan yang harus dibor kering. Pelumas pemotongan yang bekerja paling baik adalah minyak pemotongan atau minyak lemak babi yang diberi belerang.

**Mengebor dinding bata**

Untuk mengebor batuan, setel cincin (3) ke posisi pengeboran dengan cara menghubungkan simbol dengan tanda. Geser pemilih kecepatan (5) ke arah depan alat (gigi dua).

**Mengobeng**

- ◆ Selalu gunakan tipe dan ukuran mata obeng yang benar.
- ◆ Jika sekrup sulit dikencangkan, coba olesi sedikit cairan pencuci atau sabun cair untuk melumasinya.
- ◆ Selalu pegang alat dan mata obeng lurus dengan sekrup.

**Pemecahan masalah**

Masalah	Kemungkinan penyebab	Penyelesaian yang mungkin
Unit tidak mau menyal.	Baterai tidak diisi daya.	Periksa persyaratan pengisian daya pada baterai
Baterai tidak mau terisi daya.	Baterai tidak dicolokkan.  Suhu udara sekitarnya terlalu panas atau terlalu dingin.	Colokkan pengisi daya ke stopkontak yang berfungsi.  Pindahkan alat pengisi daya dan baterai ke suhu udara lingkungan di atas 40 °F (45 °C) atau di bawah 105 °F (+40,5 °C).
Unit mati secara tiba-tiba.	Baterai telah mencapai batas panas maksimumnya.  Tidak bisa diisi daya. (Untuk memaksimalkan masa pakai baterai, baterai ini dirancang untuk mati secara tiba-tiba ketika dayanya habis	Biarkan baterai dingin.  Nyalakan pengisi daya dan biarkan mengisi daya.

**Data teknis**

BDCHD12U		
Voltase	$V_{dc}$	12
Kecepatan tanpa beban		0 - 350 / 0 -1350 RPM
Peniupan per menit		20,250 BPM
Torsi maksimum	Nm	17,5 / 40
Kapasitas gagang gerak	mm	1 - 10
Kapasitas bor maksimum		
Baja/kayu/dinding bata	mm	10 / 25/ 10
Berat	kg	0,90 (dengan baterai 1,15)

BDCB12U		
Voltase	$V_{dc}$	12
Kapasitas	Ah	1,5
Tipe		Lithium-Ion

## Pemeliharaan

Alat BLACK+DECKER Anda telah dirancang untuk beroperasi pada periode waktu yang lama dengan perawatan minimum. Operasi yang terus memuaskan tergantung pada perawatan alat yang tepat dan pembersihan secara teratur. Alat pengisi daya Anda tidak membutuhkan perawatan apa pun selain dari pembersihan secara teratur.

Pengisi daya tidak membutuhkan perawatan lain di luar pembersihan berkala.

**Peringatan!** Sebelum melakukan perawatan apa pun pada alat, lepaskan dulu baterai dari alat. Lepas pengisi daya sebelum membersihkannya.

- ◆ Bersihkan celah ventilasi pada alat dan pengisi daya secara teratur dengan menggunakan sikat lembut atau lap kering.
- ◆ Bersihkan kerangka motor secara teratur dengan menggunakan kain bersih yang lembap. Jangan gunakan bahan pembersih abrasif atau pembersih berbahan dasar larutan apa pun.
- ◆ Buka gagang secara berkala dan ketuk-ketuk untuk mengeluarkan debu dari bagian dalam alat.

## Melindungi lingkungan



Pengumpulan terpisah. Produk ini tidak boleh dibuang bersama limbah rumah tangga biasa.

perlu unit pengganti atau jika sudah tidak lagi berguna bagi Anda, jangan dibuang bersama limbah rumah tangga. Pisahkan pembuangan produk ini.



Pengumpulan produk dan kemasan bekas secara terpisah memungkinkan bahan untuk didaur ulang dan digunakan lagi.

Penggunaan kembali bahan yang didaur ulang membantu mencegah pencemaran lingkungan dan mengurangi permintaan kebutuhan bahan baku.

## Informasi Servis

BLACK+DECKER menawarkan jaringan lengkap milik perusahaan dan lokasi servis resmi di seluruh Asia. Semua Pusat Servis BLACK+DECKER memiliki staf terlatih agar dapat memberikan layanan produk yang efisien dan andal kepada konsumen. Bila Anda membutuhkan saran teknis, perbaikan, atau suku cadang pengganti asli pabrik, hubungi lokasi BLACK+DECKER terdekat.

## CATATAN

- ◆ BLACK & DECKER memiliki kebijakan untuk terus meningkatkan produk dan karenanya, kami berhak mengubah spesifikasi produk tanpa pemberitahuan sebelumnya.
- ◆ Perlengkapan dan aksesori standar mungkin akan berbeda di setiap negara.
- ◆ Spesifikasi produk mungkin akan berbeda di setiap negara.
- ◆ Pilihan produk lengkap mungkin tidak tersedia di semua negara.

Untuk mengetahui ketersediaan produk, hubungi dealer BLACK+DECKER setempat Anda.

## Baterai



Tidak ada komponen yang dapat diservis oleh pengguna di dalamnya.

- ◆ Pada akhir masa pakai produk Anda, kembalikanlah seluruh unit ke agen servis Anda atau stasiun daur ulang lokal untuk mendaur ulang baterai. Jangan buang unit bersama limbah rumah tangga.

## Di impor oleh: PT. Stanley Black & Decker

Alamat : Menara Standard Chartered Level 31  
 Jl. Prof. Dr. Satrio No. 164 RT/RW 003/004  
 Kel. Karet, Kec. Setiabudi Jakarta Selatan,  
 12930-Indonesia

## วัตถุประสงค์ในการใช้งาน

ส่วนเจาะกระแทก BLACK+DECKER รุ่น BDCHD12U เครื่องนี้ได้รับการออกแบบมาเพื่อการขึ้นสกรูและการเจาะไม้ โลหะ และปูน เครื่องมือนี้มีวัตถุประสงค์เพื่อการใช้งานของผู้บริโภคเท่านั้น

## ข้อปฏิบัติเพื่อความปลอดภัย

### คำเตือนเพื่อความปลอดภัยสำหรับเครื่องมือไฟฟ้าทั่วไป



**คำเตือน!** โปรดอ่านคำเตือนและคำแนะนำเพื่อความปลอดภัยทั้งหมด การไม่ปฏิบัติตามคำเตือนและคำแนะนำเหล่านี้อาจทำให้เกิดไฟฟ้าช็อต เกิดเพลิงไหม้และ/หรือบาดเจ็บสาหัสได้

### โปรดเก็บรักษาคำเตือนและข้อปฏิบัติทั้งหมดนี้ไว้เพื่อการอ้างอิงในภายหลัง

คำว่า “เครื่องมือไฟฟ้า” ในคำเตือนทั้งหมดที่แสดงไว้ข้างล่าง หมายถึงเครื่องมือไฟฟ้า (แบบมีสาย) ที่ทำงานด้วยแหล่งจ่ายไฟหลัก หรือเครื่องมือไฟฟ้า (แบบไร้สาย) ที่ทำงานด้วยแบตเตอรี่

#### 1. ความปลอดภัยในบริเวณที่ทำงาน

- ก. รักษาความสะอาดและจัดให้มีแสงสว่างเพียงพอในบริเวณที่ทำงาน บริเวณที่มีดหรือมีช่องว่าง ระเกะระกะอาจทำให้เกิดอุบัติเหตุได้
- ข. ห้ามใช้เครื่องมือไฟฟ้าในบริเวณที่อาจเกิดการระเบิด เช่น ในสถานที่ที่มีของเหลว แก๊ส หรือฝุ่นละอองที่มีคุณสมบัติไวไฟ เครื่องมือไฟฟ้าจะทำให้เกิดประกายไฟที่อาจทำให้เกิดละอองไฟหรือเปลวไฟขึ้นได้
- ค. กันเด็กเล็กและคนที่เดินผ่านไปออกห่างจากบริเวณที่มีการใช้งานเครื่องมือไฟฟ้า สิ่งรบกวนอาจทำให้คุณเสียสมาธิได้

#### 2. ความปลอดภัยทางไฟฟ้า

- ก. ปลั๊กไฟของเครื่องต้องเป็นชนิดเดียวกับเต้ารับ ห้ามตัดแปลงปลั๊กไม่ว่าด้วยวิธีใด ห้ามใช้ปลั๊กอะแดปเตอร์ใดๆ กับเครื่องมือไฟฟ้าที่ต่อสายดิน (ลงกราวด์) ปลั๊กที่ไม่มีการตัดแปลงและเต้ารับชนิดเดียวกันจะช่วยลดความเสี่ยงจากการเกิดไฟฟ้าช็อต
- ข. หลีกเลี่ยงการสัมผัสพื้นผิวที่ต่อสายดินหรือลงกราวด์ เช่น ท่อ หม้อน้ำ เตาหุงต้ม และตู้เย็น มีความเสี่ยงเพิ่มขึ้นที่จะถูกไฟฟ้าช็อตหากร่างกายเป็นสื่อเชื่อมต่อกับดินหรือลงกราวด์
- ค. อย่าให้เครื่องมือไฟฟ้าถูกฝนหรืออยู่ในสภาพที่เปียกชื้น น้ำที่เข้าเครื่องมือไฟฟ้าจะเพิ่มความเสี่ยงในการเกิดไฟฟ้าช็อต

- ง. ห้ามใช้สายไฟผิดวัตถุประสงค์ ห้ามใช้สายไฟเพื่อการหิ้ว ดึง หรือถอดปลั๊กเครื่องมือไฟฟ้า เก็บสายไฟให้ห่างจากความร้อน น้ำมัน ของมีคม หรือชิ้นส่วนที่เคลื่อนที่ สายไฟที่ชำรุดหรือพันกัน จะทำให้มีความเสี่ยงเพิ่มมากขึ้นที่จะถูกไฟฟ้าช็อตได้
- จ. เมื่อใช้เครื่องมือไฟฟ้าภายนอกอาคาร ให้ใช้สายต่อพ่วงที่เหมาะสมสำหรับการใช้งานภายนอกอาคาร การใช้สายไฟที่เหมาะสมสำหรับการใช้งานนอกอาคารจะช่วยลดความเสี่ยงจากการเกิดไฟฟ้าช็อต
- ฉ. หากไม่สามารถหลีกเลี่ยงการใช้เครื่องมือไฟฟ้าในบริเวณที่ชื้นและได้ ให้ใช้อุปกรณ์ป้องกันไฟดูด (RCD) ที่จัดไว้ให้ การใช้ RCD จะช่วยลดความเสี่ยงในการถูกไฟฟ้าช็อต

### 3. ความปลอดภัยส่วนบุคคล

- ก. ดึงตัวและมีสมาธิกับสิ่งที่คุณกำลังทำ รวมทั้งใช้สามัญสำนึกในขณะที่กำลังใช้งานเครื่องมือไฟฟ้า ห้ามใช้เครื่องมือไฟฟ้าในขณะที่คุณกำลังเหนื่อย หรือได้รับอิทธิพลจากยา แอลกอฮอล์ หรือการรักษาบางอย่าง การขาดความระมัดระวังในการใช้เครื่องมือไฟฟ้าแม้ชั่วขณะหนึ่งอาจทำให้บาดเจ็บสาหัสได้
- ข. ใช้อุปกรณ์คุ้มครองความปลอดภัยส่วนบุคคลสวมอุปกรณ์ป้องกันดวงตาเสมอ อุปกรณ์ป้องกัน เช่น หน้ากากกันฝุ่น รองเท้านิรภัยกันลื่น หมวกนิรภัย หรืออุปกรณ์ป้องกันเสียงดังที่ใช้ในสภาวะที่เหมาะสม จะช่วยลดอาการบาดเจ็บทางร่างกาย
- ค. ชovel อุปกรณ์เปิดทำงานโดยไม่ตั้งใจ สวิตช์ต้องอยู่ในตำแหน่งปิดก่อนที่จะเสียบปลั๊กของเครื่องเข้ากับแหล่งจ่ายไฟ และ/หรือแบตเตอรี่ หรือคอนยอกหรือหัวเครื่องมือ การยกเครื่องมือไฟฟ้าในขณะที่นิ้วอยู่ที่สวิตช์ หรือใช้เครื่องมือไฟฟ้าที่สวิตช์เปิดอยู่ อาจทำให้เกิดอุบัติเหตุได้
- ง. ถอดกุญแจปรับตั้งหรือปรับแฉกก่อนเปิดสวิตช์เครื่องมือไฟฟ้า ประแจหรือกุญแจที่เสียบค้างอยู่ในชิ้นส่วนที่หมุนได้ของเครื่องมือไฟฟ้าอาจทำให้เกิดการบาดเจ็บได้
- จ. ห้ามยืนเขย่งเท้าขณะใช้เครื่อง ต้องยืนอย่างมั่นคงและสมดุลเสมอ เพื่อช่วยในการควบคุมเครื่องมือไฟฟ้าได้ดียิ่งขึ้นในสถานการณ์ที่ไม่คาดคิด
- ฉ. แต่งกายให้เหมาะสม ห้ามสวมเสื้อผ้าหลวม หรือใส่เครื่องประดับ รวบผม เลือ่ผ้า และถุงมือให้ห่างจากชิ้นส่วนที่กำลังหมุน เสื้อผ้าที่หลวมหรือยาวรุ่มร่าม เครื่องประดับ หรือผมที่ยาวอาจเข้าไปพันกับชิ้นส่วนที่กำลังหมุน
- ช. หากมีอุปกรณ์สำหรับดูดและเก็บฝุ่น ต้องตรวจสอบให้แน่ใจว่าได้เชื่อมต่อและใช้งานอุปกรณ์นั้นอย่างเหมาะสม การใช้อุปกรณ์เก็บฝุ่นจะช่วยลดอันตรายที่เกี่ยวข้องกับฝุ่นได้

4. การใช้และการดูแลรักษาเครื่องมือไฟฟ้า
- ก. ห้ามฝืนใช้เครื่องมือไฟฟ้า เลือกใช้เครื่องมือไฟฟ้าที่ถูกต้องตรงกับลักษณะการใช้งานของคุณ เครื่องมือไฟฟ้าที่ถูกต้องย่อมทำงานได้ดีกว่าและปลอดภัยกว่า เมื่อใช้งานตามพิกัดที่เครื่องมือได้รับการออกแบบมา
- ข. ห้ามใช้เครื่องมือไฟฟ้าถ้าสวิตช์เปิดปิดเครื่องไม่ทำงาน เครื่องมือไฟฟ้าที่ไม่สามารถควบคุมผ่านสวิตช์ได้ ถือว่ามีอันตรายและต้องส่งซ่อม
- ค. ถอดปลั๊กของเครื่องมือไฟฟ้าออกจากแหล่งจ่ายไฟ และ/หรือถอด แบตเตอรี่ออกจากเครื่องมือไฟฟ้าก่อนทำการปรับแต่ง เปลี่ยนอุปกรณ์เสริม หรือจัดเก็บเครื่องมือไฟฟ้า มาตรการเพื่อความปลอดภัยซึ่งป้องกันนี้จะช่วยลดความเสี่ยงในการเปิดเครื่องให้ทำงานโดยไม่ตั้งใจ
- ง. เก็บเครื่องมือไฟฟ้าที่ไม่ได้ใช้งานไว้ในที่พ้นมือเด็ก และไม่อนุญาตให้บุคคลที่ไม่คุ้นเคยกับเครื่องมือไฟฟ้าหรือคำแนะนำเหล่านี้เป็นผู้ใช้เครื่องมือ เครื่องมือไฟฟ้าจะเป็นอันตรายหากอยู่ในมือผู้ใช้ที่ไม่มีความชำนาญ
- จ. บำรุงรักษาเครื่องมือไฟฟ้า ตรวจสอบว่าชิ้นส่วนที่เคลื่อนที่ได้มีการวางไม่ตรงแนวหรือติดขัดหรือไม่ มีชิ้นส่วนที่แตกหัก และสภาพอินไดที่อาจส่งผลกระทบต่อการทำงานของเครื่องมือไฟฟ้าหรือไม่ หากชำรุดเสียหาย ให้นำเครื่องมือไปส่งซ่อมก่อนนำมาใช้ อุบัติเหตุจำนวนมากเกิดจากการดูแลรักษาเครื่องมือไฟฟ้าไม่เพียงพอ
- ฉ. เครื่องมือตัดต่อคุณและจะอาจถูกดองและมีขอบตัดคม จะมีปัญหาติดขัดน้อย และควบคุมได้ง่ายกว่า
- ช. ใช้เครื่องมือไฟฟ้า อุปกรณ์เสริม และดอกสว่านของเครื่องมือ ฯลฯ ตามข้อปฏิบัติเหล่านี้ โดยพิจารณาถึงสภาพการทำงานและงานที่ทำเป็นสิ่งสำคัญ การใช้เครื่องมือไฟฟ้าทำงานอื่นนอกเหนือจากที่กำหนดไว้อาจทำให้เกิดอันตรายได้
5. การใช้และการดูแลรักษาแบตเตอรี่
- ก. ชาร์จแบตเตอรี่ด้วยเครื่องชาร์จที่ผู้ผลิตแนะนำเท่านั้น เครื่องชาร์จที่เหมาะสมกับแบตเตอรี่แบบหนึ่งอาจทำให้เกิดไฟไหม้ได้ถ้านำมาใช้กับแบตเตอรี่อีกแบบหนึ่ง
- ข. ใช้เครื่องมือไฟฟ้าเฉพาะกับก้อนแบตเตอรี่ที่กำหนดให้โดยเฉพาะเท่านั้น การใช้แบตเตอรี่แบบอื่นอาจทำให้เกิดการบาดเจ็บหรือเกิดไฟไหม้ได้
- ค. เมื่อไม่ได้ใช้ก้อนแบตเตอรี่ ให้เก็บออกห่างจากรัดกลิ่น ที่เป็นโลหะ เช่น คลิปหนีบกระดาษ หรือกุญแจ เข็มหรือตะปู สกรูหรือวัตถุขนาดเล็กอื่นๆ ที่ทำจากโลหะที่อาจทำให้เกิดการเชื่อมต้อจากขั้วหนึ่งไปอีกขั้วหนึ่ง การลัดวงจรบริเวณขั้วแบตเตอรี่อาจทำให้เกิดรอยไหม้หรือไฟไหม้ได้

- ง. เมื่ออยู่ภายใต้สภาวะที่ไม่เหมาะสมอาจมีของเหลวไหลออกมาจากแบตเตอรี่ ให้หลีกเลี่ยงการสัมผัสกับของเหลวนี้น หากบังเอิญสัมผัสโดยไม่ตั้งใจ ให้ล้างออกด้วยน้ำปริมาณมาก หากของเหลวกระเด็นเข้าตา ควรรีบไปพบแพทย์ ของเหลวที่ออกมาจากแบตเตอรี่อาจทำให้เกิดอาการระคายเคืองหรือรอยไหม้ได้
6. การบริการ
- ก. ให้ช่างซ่อมที่มีความเชี่ยวชาญเป็นผู้ซ่อมเครื่องมือ และใช้อะไหล่แท้เท่านั้น ซึ่งจะช่วยให้มั่นใจได้ว่าเครื่องมือไฟฟ้ายังมีความปลอดภัยอยู่

## คำเตือนเพื่อความปลอดภัยเพิ่มเติมสำหรับการใช้เครื่องมือไฟฟ้า



**คำเตือน!** คำเตือนเพื่อความปลอดภัยเพิ่มเติมสำหรับส่วน

- ◆ จับเครื่องมือไฟฟ้าตรงพื้นผิวส่วนที่ใช้จับซึ่งมีฉนวนป้องกันเท่านั้น เมื่อต้องใช้งานเครื่องในบริเวณที่อุปกรณ์เสริมสำหรับการตัดอาจสัมผัสถูกสายไฟที่ซ่อนอยู่ได้ อุปกรณ์เสริมสำหรับงานตัดที่สัมผัสถูกสายไฟ "ที่มีไฟฟ้า" อาจทำให้ส่วนที่เป็นโลหะของเครื่องที่ถูกสัมผัส "มีไฟฟ้า" และทำให้ผู้ใช้เครื่องถูกไฟฟ้าช็อตได้
- ◆ ใช้ตัวยึดจับชิ้นงานหรือวิธีอื่นๆ ที่ได้ผลเพื่อยึดและหนุนชิ้นงานบนแท่นที่มั่นคง การใช้มือจับหรือใช้ชิ้นงานพังกับลำตัวจะไม่มั่นคงและอาจทำให้สูญเสียการควบคุมได้
- ◆ ก่อนเจาะผนัง พื้น หรือเพดาน ให้ตรวจสอบตำแหน่งสายไฟและท่อน้ำ
- ◆ หลีกเลี่ยงการสัมผัสปลายดอกสว่านหลังจากเพิ่งเจลงเสร็จ เนื่องจากดอกสว่านอาจจะมีความร้อนเหลืออยู่
- ◆ วัตถุประสงค์ในการใช้งานได้อธิบายไว้ในคู่มือแนะนำการใช้งานฉบับนี้ การใช้งานอุปกรณ์เสริมหรืออุปกรณ์ต่อพ่วง หรือการใช้งานอื่นใดกับเครื่องมืออื่นนอกเหนือจากที่ได้แนะนำไว้ในคู่มือการใช้งานนี้ อาจทำให้เสี่ยงต่อการบาดเจ็บ และ/หรือความเสียหายต่อทรัพย์สินได้

## ความปลอดภัยของบุคคลอื่น

- ◆ เครื่องมือนี้ไม่ได้มีไว้เพื่อการใช้งานโดยบุคคล (ซึ่งรวมถึงผู้เยาว์) ที่มีความบกพร่องทางร่างกายทางการรับรู้สติ หรือทางจิตประสาท หรือขาดประสบการณ์และความรู้ เว้นเสียแต่จะได้รับการควบคุมดูแลหรือคำแนะนำการใช้เครื่องมือโดยผู้ที่รับผิดชอบต่อความปลอดภัยของบุคคลเหล่านั้น



- ◆ เด็กควรได้รับการควบคุมดูแลเพื่อให้แน่ใจว่าเด็กจะไม่เล่นเครื่องมือ

### ความเสี่ยงอื่นๆ ที่ยังมีอยู่

ความเสี่ยงอื่นๆ ที่ไม่ได้ระบุในคำเตือนเพื่อความปลอดภัยขยนี้ อาจเกิดขึ้นได้เมื่อใช้เครื่องมือ ความเสี่ยงเหล่านี้ อาจเกิดขึ้นจากการใช้งานอย่างไม่ถูกต้อง การใช้งาน เป็นเวลานาน เป็นต้น

แม้ว่าจะปฏิบัติตามข้อกำหนดด้านความปลอดภัยที่เกี่ยวข้อง และใช้อุปกรณ์เสริม แต่ความเสี่ยงอื่นๆ ที่ยังมีอยู่บางอย่างก็ไม่สามารถหลีกเลี่ยงได้ ความเสี่ยง เหล่านี้ได้แก่:

- ◆ การบาดเจ็บที่เกิดจากการสัมผัสชิ้นส่วนที่หมุน/ เคลื่อนที่
- ◆ การบาดเจ็บที่เกิดขึ้นขณะเปลี่ยนชิ้นส่วน ใบมีด หรืออุปกรณ์เสริม
- ◆ การบาดเจ็บที่เกิดจากการใช้เครื่องมือเป็นเวลานาน เมื่อใช้เครื่องมือเป็นระยะเวลานาน ต้องแน่ใจว่าคุณ ได้หยุดพักเป็นระยะ
- ◆ ความบกพร่องในการได้ยินเสียง
- ◆ อันตรายต่อสุขภาพที่เกิดจากการสูดดมฝุ่นจากการใช้ เครื่องมือ (ตัวอย่างเช่น การทำงานกับไม้ โดยเฉพาะ ไม้โอ๊ค ไม้บีช และไม้ MDF)

### สัญลักษณ์บนเครื่องมือ

รูปภาพและรหัสวันที่ต่อไปนี้จะปรากฏบนเครื่องมือ



**คำเตือน!** เพื่อลดความเสี่ยงต่อการบาดเจ็บ ผู้ใช้ต้องอ่านคู่มือการใช้งานเล่มนี้

### ข้อปฏิบัติเพื่อความปลอดภัยเพิ่มเติมสำหรับ แบตเตอรี่

#### แบตเตอรี่

- ◆ ห้ามพยายามแกะตัวแบตเตอรี่ในทุกกรณี
- ◆ ห้ามให้แบตเตอรี่สัมผัสน้ำ
- ◆ ห้ามเก็บแบตเตอรี่ในสถานที่อุณหภูมิอาจสูงเกิน 40 °C
- ◆ ชาร์จแบตเตอรี่ที่อุณหภูมิห้องระหว่าง 10 °C ถึง 40 °C เท่านั้น
- ◆ ชาร์จแบตเตอรี่ด้วยเครื่องชาร์จที่ให้มาพร้อมอุปกรณ์ ที่เห็น
- ◆ เมื่อจะทิ้งแบตเตอรี่ ให้ทำตามคำแนะนำในส่วน "การปกป้องสิ่งแวดล้อม"



อย่าพยายามชาร์จแบตเตอรี่ที่ชำรุด เสียหาย



เครื่องมือมีไว้สำหรับการใช้ภายในอาคาร เท่านั้น

- ◆ หากสายไฟของตัวเครื่องชำรุดเสียหาย ต้องได้รับการเปลี่ยนโดยผู้ผลิตหรือศูนย์บริการ ของ BLACK+DECKER ที่ได้รับอนุญาตเพื่อหลีกเลี่ยง อันตรายที่อาจเกิดขึ้น

### ส่วนประกอบสำคัญ

เครื่องมือนี้มีส่วนประกอบสำคัญบางอย่างหรือทั้งหมด ดังต่อไปนี้

1. สวิตช์ปรับระดับความเร็ว
2. ปุ่มเลื่อนหน้าจอ/ถอยหลัง
3. ปลอกปรับแรงบิด
4. หัวจับดอกสว่านแบบไม่ใช้จำปา
5. เกียร์สองจังหวะ
6. ไฟ LED แสดงการทำงาน
7. แบตเตอรี่
8. ปุ่มปลดล๊อคแบตเตอรี่

### การประกอบ

#### การใช้งาน

**คำเตือน!** ปล่อยให้เครื่องมือทำงานตามความเร็ว ของเครื่อง ห้ามใช้งานเกินกำลัง

#### การชาร์จแบตเตอรี่ (รูป A)

แบตเตอรี่ต้องการการชาร์จไฟก่อนการใช้งานครั้งแรก และทุกครั้งเมื่อแบตเตอรี่ไม่สามารถจ่ายพลังงานได้ เพียงพอสำหรับงานที่เคยทำได้โดยง่าย แบตเตอรี่ อาจอุ่นขึ้นระหว่างการชาร์จ ซึ่งถือเป็นเรื่องปกติและ ไม่ใช่ตัวบ่งชี้ว่าการผิดปกติ

**คำเตือน!** ห้ามชาร์จแบตเตอรี่ในอุณหภูมิห้องที่ต่ำกว่า 10 °C หรือสูงกว่า 40 °C อุณหภูมิการชาร์จที่แนะนำ: ประมาณ 24 °C

**หมายเหตุ:** เครื่องชาร์จจะไม่ชาร์จแบตเตอรี่ หากอุณหภูมิของแบตเตอรี่ต่ำกว่าประมาณ 10 °C หรือสูงกว่า 40 °C

ให้ทิ้งแบตเตอรี่ไว้ในเครื่องชาร์จ แล้วเครื่องชาร์จ จะเริ่มชาร์จไฟเองโดยอัตโนมัติเมื่ออุณหภูมิของ แบตเตอรี่อุ่นขึ้นหรือเย็นลง

- ◆ หากต้องการชาร์จแบตเตอรี่ ให้เสียบสายชาร์จ USB (9) (ไม่มีมาให้) เข้าไปกับแบตเตอรี่ (7)
- ◆ เสียบปลั๊กเครื่องชาร์จ (9) เข้ากับแหล่งจ่ายไฟ ที่เหมาะสมและเปิดสวิตช์ชาร์จ
- ◆ ชาร์จแบตเตอรี่ที่ไม่มีประจุภายใน 1 สัปดาห์ อายุการ ใช้งานแบตเตอรี่จะลดลงอย่างรวดเร็วหากเก็บรักษา ไว้ในสภาพไม่มีประจุ

**คำเตือน!** อันตรายจากเพลิงไหม้ เมื่อถอดสาย เครื่องมือออกจากเครื่องชาร์จ ตรวจสอบให้แน่ใจว่า ถอดปลั๊กของเครื่องชาร์จออกจากเต้ารับก่อน แล้วจึงถอดสายเครื่องชาร์จออกจากเครื่องมือ

### การติดตั้งและการถอดแบตเตอรี่ (รูป B)

- ◆ เมื่อจะประกอบแบตเตอรี่ ให้จัดตำแหน่งแบตเตอรี่ให้ตรงกับเบ้ารับของเครื่องมือ จากนั้นเลื่อนแบตเตอรี่เข้าไปในเบ้ารับจนกระทั่งแบตเตอรี่ล็อกเข้าที่
- ◆ เมื่อจะถอดแบตเตอรี่ ให้กดปุ่มปลดล็อก (8) พร้อมกับดึงแบตเตอรี่ออกจากเบ้า

### คำแนะนำการใช้งาน

#### สวิตช์และปุ่มปรับทิศทางหมุน (รูป E)

- ◆ เปิดและปิดใช้งานสว่านโดยการกดและปล่อยสวิตช์ (1) ยิ่งกดสวิตช์ให้ลึกเท่าใด ความเร็วของสว่านก็จะสูงขึ้นเท่านั้น
- ◆ ปุ่มควบคุมเดินหน้า/ถอยหลัง (2) จะควบคุมทิศทางการทำงานของเครื่องมือ
- ◆ หากต้องการเลือกการหมุนไปข้างหน้า ให้ปล่อยสวิตช์และดันปุ่มควบคุมการเดินหน้า/ถอยหลังไปทางซ้าย
- ◆ เมื่อต้องการเลือกการถอยหลัง ให้ดันปุ่มควบคุมเดินหน้า/ถอยหลังไปในทิศทางตรงกันข้าม

#### การควบคุมแรงบิด (รูป C)

เครื่องมือที่มีปลอกปรับแรงบิด (3) สำหรับเลือกโหมดการทำงาน และกำหนดแรงบิดสำหรับการขันสกรู สกรูขนาดใหญ่และวัสดุชิ้นงานที่มีเนื้อแข็งจะต้องใช้การตั้งค่าแรงบิดสูงกว่าสกรูขนาดเล็กและวัสดุชิ้นงานที่มีเนื้ออ่อน

- ◆ สำหรับการเจาะไม้ เหล็ก และพลาสติก ให้ปรับปลอกไปที่สัญลักษณ์ของตำแหน่งการเจาะ
- ◆ สำหรับการขันสกรู ให้ปรับปลอกไปยังค่าที่ต้องการ หากคุณไม่ทราบการตั้งค่าที่เหมาะสม โปรดดำเนินการดังนี้
- ◆ ปรับปลอกไปที่ค่าแรงบิดต่ำสุด
- ◆ ขันสกรูตัวแรก
- ◆ หากดลัษัชนวนพริกก่อนจะได้ผลลัพธ์ที่ต้องการ ให้เพิ่มแรงบิดแล้วขันสกรูต่อ ทำซ้ำจนกว่าจะได้รับการตั้งค่าที่ถูกต้อง จากนั้น ให้ใช้ค่านี้กับสกรูที่เหลือ

#### หัวจับดอกสว่านแบบไม่ใช้จำปา (รูป D)

ถ้าต้องการใส่ดอกสว่านหรืออุปกรณ์เสริมอื่น:

- ◆ จับสว่านครึ่งหลังของตัวจับดอกสว่าน (4a) ด้วยมือข้างหนึ่งและใช้มืออีกข้างหนึ่งหมุนส่วนครึ่งหน้า (4) ในทิศทางเข็มนาฬิกา เมื่อดูจากด้านบนปลายของหัวจับดอกสว่าน
- ◆ ใส่ดอกสว่านหรืออุปกรณ์เสริมลงในหัวจับดอกสว่านจนสุด และขันให้แน่นด้วยการจับส่วนครึ่งหลังของตัวจับดอกสว่าน และหมุนส่วนหน้าในทิศทางเข็มนาฬิกา เมื่อดูจากด้านบนปลายของหัวจับดอกสว่าน

**คำเตือน!** อย่าพยายามขันดอกสว่าน (หรืออุปกรณ์เสริมใดๆ) ให้แน่นด้วยการจับที่ด้านบนของหัวจับดอกสว่านแล้วเปิดเครื่องมือ การเปลี่ยนอุปกรณ์เสริมในลักษณะนี้

อาจทำให้เกิดความเสียหายต่อหัวจับดอกสว่านและเกิดการบาดเจ็บได้

#### เกียร์สองจังหวะ (รูป F)

เกียร์สองจังหวะของสว่านนี้ช่วยให้คุณสามารถเปลี่ยนเกียร์เพื่อให้ใช้งานได้หลากหลายขึ้น ถ้าต้องการความเร็วต่ำ ให้ตั้งค่าแรงบิดสูง (ตำแหน่ง 1) ปิดเครื่องมือและปล่อยให้เครื่องหยุดหมุนเอง เลื่อนปุ่มเปลี่ยนเกียร์ (5) ออกห่างตัวจับดอกสว่าน ถ้าต้องการเลือกความเร็วสูง ให้ตั้งค่าแรงบิดต่ำ (ตำแหน่ง 2) ปิดเครื่องมือและปล่อยให้เครื่องหยุดหมุนเอง เลื่อนปุ่มเปลี่ยนเกียร์ไปทางตัวจับดอกสว่าน

**หมายเหตุ:** อย่าเปลี่ยนเกียร์ขณะที่เครื่องมือกำลังทำงาน ถ้าคุณมีปัญหาในการเปลี่ยนเกียร์ ตรวจสอบให้แน่ใจว่าปุ่มเปลี่ยนเกียร์อยู่ในตำแหน่งใดตำแหน่งหนึ่งระหว่างถูกดันไปข้างหน้าจนสุดหรือถูกดันถอยหลังจนสุด

#### การเจาะ/ขันสกรู

- ◆ เลือกทิศทางการหมุนไปข้างหน้าหรือย้อนกลับโดยใช้ปุ่มเลื่อนเดินหน้า/ถอยหลัง (2)
- ◆ เมื่อต้องการเปิดเครื่อง ให้กดสวิตช์ (1) ความเร็วของเครื่องมือจะขึ้นอยู่กับความลึกของสวิตช์ที่คุณกดลงไป
- ◆ เมื่อจะปิดเครื่อง ให้ปล่อยสวิตช์

#### คำแนะนำเพื่อการใช้งานอย่างเหมาะสม

##### การเจาะ

- ◆ ใช้ดอกสว่านที่คมเท่านั้น
- ◆ หนุนและจับยึดชิ้นงานให้เหมาะสมตามที่คำแนะนำด้านความปลอดภัยระบุไว้
- ◆ ใช้อุปกรณ์นิรภัยที่จำเป็นและเหมาะสมตามที่คำแนะนำด้านความปลอดภัยระบุไว้
- ◆ ป้องกันและรักษาสภาพพื้นที่ทำงานตามที่คำแนะนำด้านความปลอดภัยระบุไว้
- ◆ เดินเครื่องสว่านช้าๆ ใช้แรงกดเพียงเล็กน้อยจนกว่ารูที่เจาะเริ่มลึกพอที่ดอกสว่านจะไม่สั่นหลุดออกมา
- ◆ ออกแรงกดให้เป็นแนวเดียวกันกับดอกสว่าน ใช้แรงกดพอสมควรเพื่อให้ดอกสว่านเจาะเข้าไปอย่างต่อเนื่อง แต่ไม่มากเกินไปจนทำให้มอเตอร์หยุดค้างหรือดอกสว่านเบี่ยง
- ◆ จับสว่านให้มั่นคงด้วยมือสองข้างเพื่อควบคุมไม่ให้สละบิด
- ◆ อย่ากดไกสว่านที่หยุดทำงานง่าย เพื่อทำให้สว่านเดินเครื่อง เพราะอาจทำให้สว่านชำรุดเสียหายได้
- ◆ ลดการค้ำระหว่างการเจาะโดยลดแรงกดและค่อยๆ เจาะให้ทะลุผ่านช่วงสุดท้ายของรู
- ◆ ใหม่อเตอร์ยังหมุนไว้ระหว่างการถอนดอกสว่านออกจากรูที่เจาะ วิธีนี้จะช่วยลดปัญหาดอกสว่านติดได้
- ◆ ตรวจสอบให้แน่ใจว่าสวิตช์สามารถเปิดและปิดสว่านได้

## การเจาะไม้

การเจาะรูในงานไม้สามารถใช้ดอกสว่านแบบเกลียว เช่นเดียวกับที่ใช้กับงานโลหะหรือด้วยดอกสว่านใบพาดอกสว่านเหล่านี้จะต้องคม และจะต้องตั้งออกปอยๆ ขณะที่เจาะเพื่อเอาเศษไม้ออกจากร่อง

## การเจาะโลหะ

ใช้สารหล่อลื่นสำหรับงานตัดขนะเจาะโลหะ ยกเว้น เหล็กหล่อและทองเหลืองที่ควรเจาะขณะแห้ง สารหล่อลื่นที่ใช้ได้ดีที่สุดคือน้ำมันสำหรับงานตัดที่ผสมซิลิเฟอรหรือน้ำมันหมู

## การเจาะปูน

สำหรับการเจาะปูน ให้ปรับปลอก (3) ไปที่ตำแหน่งเจาะกระแทก โดยให้สัญลักษณ์ตรงกับเครื่องหมายเลื่อนตัวเลือกความเร็ว (5) ไปทางด้านหน้าของเครื่องมือ (เกียร์ 2)

## การขันสกรู

- ◆ ใช้ดอกไขควง/ดอกสว่านให้ถูกประเภทและถูกขนาดเสมอ
- ◆ หากสกรูขันได้ยาก ให้ลองทาน้ำมันสกรูหรือใช้น้ำมันเล็กน้อย
- ◆ จับเครื่องมือและดอกไขควงให้อยู่ในแนวเดียวกับสกรูเสมอ

## การแก้ปัญหา

ปัญหา	สาเหตุที่เป็นไปได้	การแก้ไขที่สามารถทำได้
เครื่องไม่เริ่มทำงาน	แบตเตอรี่ไม่ได้รับการชาร์จ	ตรวจสอบข้อกำหนดการชาร์จแบตเตอรี่
แบตเตอรี่ไม่ชาร์จ	เครื่องชาร์จไม่ได้เสียบไฟ อุณหภูมิโดยรอบร้อนเกินไปหรือเย็นเกินไป	เสียบเครื่องชาร์จเข้ากับเต้าเสียบที่ใช้งานได้ ย้ายแท่นชาร์จและชุดแบตเตอรี่ไปในบริเวณที่มีอุณหภูมิของอากาศโดยรอบสูงกว่า 40 °F (45 °C) หรือต่ำกว่า 105 °F (+40.5 °C)
เครื่องหยุดทำงานทันที	แบตเตอรี่มีอุณหภูมิสูงถึงขีดจำกัดอุณหภูมิสูงสุด เมื่อไม่มีไฟเหลืออยู่ (เพื่อให้อายุของแบตเตอรี่สูงสุด แบตเตอรี่จึงได้รับการออกแบบให้หยุดทำงานทันทีเมื่อไม่มีไฟเหลืออยู่)	ปล่อยให้แบตเตอรี่เย็นลง วางบนเครื่องชาร์จและปล่อยให้ชาร์จ

## ข้อมูลทางเทคนิค

BDCHD12U		
แรงดันไฟฟ้า	โวลต์ <sub>DC</sub>	12
ความเร็วขณะไม่มีโหลด		0 - 350 / 0 -1350 รอบต่อนาที
การกระแทกต่อนาที		20,250 ครั้งต่อนาที
แรงบิดสูงสุด	นิวตันเมตร	17.5 / 40
ขนาดตัวจับดอกสว่าน	มม.	1 - 10
ความสามารถในการเจาะสูงสุด		
เหล็ก/ไม้/ปูน	มม.	10 / 25/ 10
น้ำหนัก	กก.	0.90 (1.15 เมื่อรวมแบตเตอรี่)

BDCB12U		
แรงดันไฟฟ้า	โวลต์ <sub>DC</sub>	12
ความจุ	แอมป์-ชั่วโมง	1.5
ประเภท		ลิเทียมไอออน

## การบำรุงรักษา

เครื่องมือของ BLACK+DECKER ออกแบบมาให้สามารถใช้งานได้ยาวนานต่อเนื่องโดยที่มีการบำรุงรักษาน้อยที่สุด การทำงานที่สร้างความพึงพอใจอย่างต่อเนื่องจะขึ้นอยู่กับ การดูแลรักษาที่เหมาะสมและการทำความสะอาดอย่างสม่ำเสมอ เครื่องชาร์จไม่ต้องการการดูแลพิเศษอื่นใดนอกเหนือจากการทำความสะอาดเป็นประจำ เครื่องชาร์จไม่ต้องการการดูแลพิเศษอื่นใดนอกเหนือจากการทำความสะอาดเป็นประจำ

**คำเตือน!** ก่อนดำเนินการบำรุงรักษาเครื่องมือ ให้ถอดแบตเตอรี่ออกจากเครื่องมือก่อน ถอดปลั๊กเครื่องชาร์จออกก่อนจะทำความสะอาด

- ◆ ทำความสะอาดช่องระบายอากาศในเครื่องมือและเครื่องชาร์จของคุณเป็นประจำโดยใช้แปรงขนอ่อนหรือผ้าแห้ง
- ◆ ทำความสะอาดตัวมอเตอร์เป็นประจำโดยใช้ผ้าชุบน้ำหมาดๆ ห้ามใช้น้ำยาทำความสะอาดที่มีฤทธิ์กัดกร่อนหรือมีส่วนผสมของตัวทำละลาย
- ◆ เปิดหัวจับดอกสว่านออกมาเคาะเป็นประจำเพื่อกำจัดฝุ่นที่ติดอยู่ภายใน

## การปกป้องสิ่งแวดล้อม



การเก็บรวบรวมแบบคัดแยก ห้ามทิ้งผลิตภัณฑ์นี้รวมกับขยะในครัวเรือนปกติ

หรือเครื่องมือนี้ไม่เป็นประโยชน์สำหรับคุณอีกต่อไป อย่างไรก็ตามผลิตภัณฑ์นี้รวมกับขยะในครัวเรือน จัดการกับผลิตภัณฑ์นี้เพื่อให้พร้อมสำหรับการเก็บรวบรวมแบบคัดแยก



การเก็บรวบรวมแบบคัดแยกสำหรับบรรจุภัณฑ์และผลิตภัณฑ์ที่ใช้แล้วทำให้สามารถรีไซเคิลวัสดุและนำมาใช้งานอีกครั้ง การนำวัสดุรีไซเคิลมาใช้อีกครั้งจะช่วยป้องกันมลพิษต่อสิ่งแวดล้อมและลดความต้องการวัตถุดิบ

## ข้อมูลการบริการ

BLACK+DECKER ให้บริการเครือข่ายศูนย์บริการของบริษัทและศูนย์ฯ ที่ได้รับการรับรองเต็มรูปแบบทั่วทั้งทวีปเอเชีย ศูนย์บริการ BLACK+DECKER ทุกแห่งมีพนักงานที่ผ่านการฝึกอบรมเพื่อให้บริการผลิตภัณฑ์ได้อย่างมีประสิทธิภาพและเชื่อถือได้ ไม่ว่าคุณจะต้องการคำแนะนำด้านเทคนิค การซ่อมแซม หรืออะไหล่แท้จากโรงงาน โปรดติดต่อศูนย์ BLACK+DECKER ใกล้เคียงบ้าน

## หมายเหตุ

- ◆ BLACK+DECKER มีนโยบายที่จะพัฒนาปรับปรุงผลิตภัณฑ์อย่างต่อเนื่อง ด้วยเหตุนี้เราจึงขอสงวนสิทธิ์ในการเปลี่ยนแปลงข้อมูลจำเพาะของผลิตภัณฑ์โดยไม่ต้องแจ้งให้ทราบล่วงหน้า
- ◆ อุปกรณ์มาตรฐานและอุปกรณ์เสริมอาจแตกต่างกันในแต่ละประเทศ
- ◆ ข้อมูลจำเพาะของผลิตภัณฑ์อาจแตกต่างกันในแต่ละประเทศ
- ◆ ตัวเลือกผลิตภัณฑ์อาจมีจำหน่ายไม่ครบทุกรายการในบางประเทศ

โปรดสอบถามรุ่นผลิตภัณฑ์ที่มีจำหน่ายจากตัวแทนจำหน่ายของ BLACK+DECKER ในประเทศของคุณ

## แบตเตอรี่



ไม่มีชิ้นส่วนใดที่ผู้ใช้สามารถซ่อมได้ อยู่ภายใน



