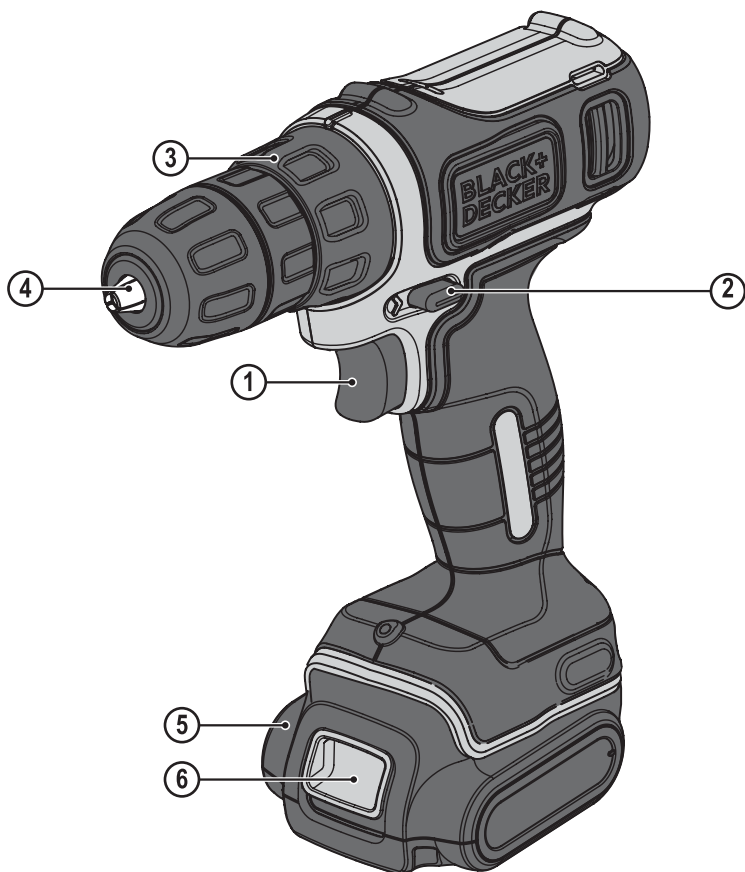
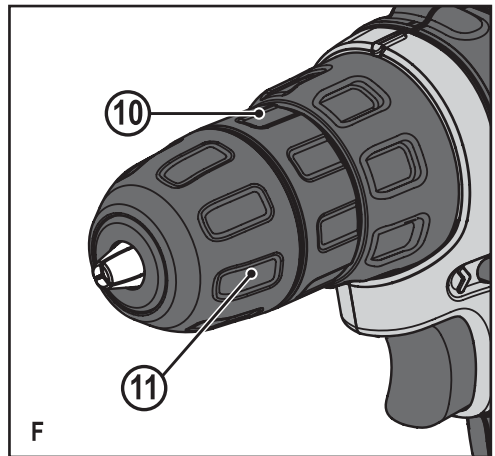
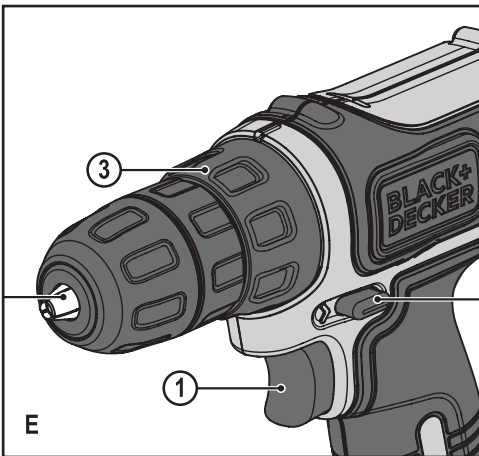
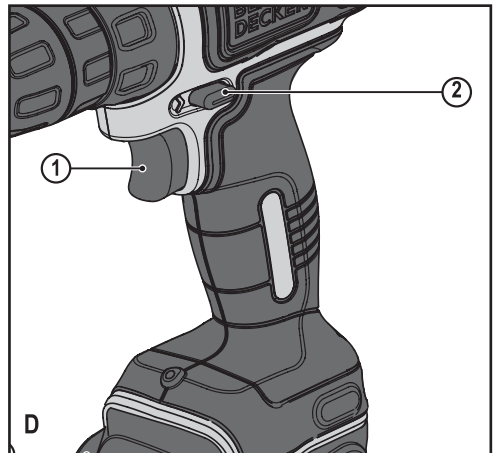
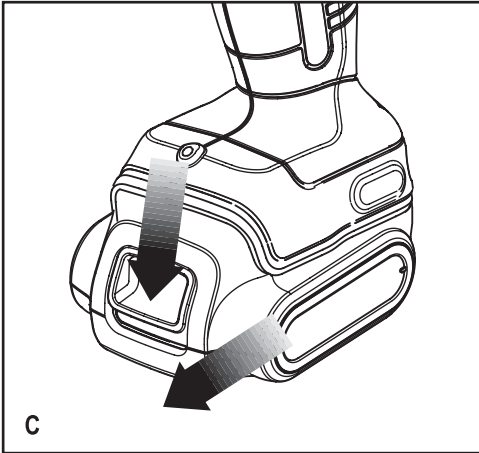
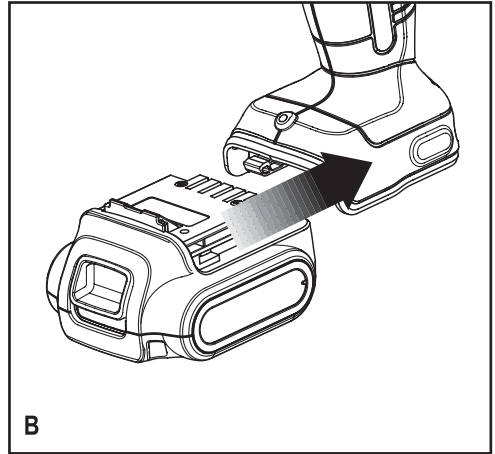
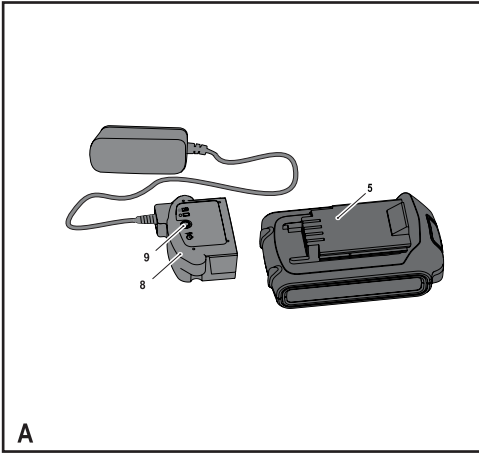


# BLACK+ DECKER™



**BDCDD12**

ENGLISH	3
繁體中文	9
한국어	14



# BDCDD12

## DRILL DRIVER

### Technical data

		BDCDD12
Voltage	$V_{DC}$	10,8
No-load speed	$\text{Min}^{-1}$	0-550rpm
Max. torque	Nm	12,5/26
Chuck capacity	mm	1-10
<b>Max Drilling capacity</b>		
Steel/wood	mm	10/25
Weight	kg	0,98
<b>Charger</b>		
Input voltage	$V_{AC}$	100-240
Output voltage	$V_{DC}$	8-20
Current	mA	400
Approx. charge time	Hours	4
<b>Battery</b>		<b>BL1512</b>
Voltage	$V_{DC}$	10,8
Capacity	Ah	1,5
Type		Li-Ion

### Intended use

Your BLACK+DECKER BDCDD12 - Drill Driver, has been designed for screwdriving applications and for drilling in wood, metal and plastics. This tool is intended for consumer use only.

### Safety instructions

#### General power tool safety warnings



**Warning!** Read all safety warnings and all instructions. Failure to follow the warnings and instructions listed below may result in electric shock, fire and/or serious injury.

#### Save all warnings and instructions for future reference.

The term "power tool" in all of the warnings listed below refers to your mains operated (corded) power tool or battery operated (cordless) power tool.

1. **Work area safety**
  - a. **Keep work area clean and well lit.** Cluttered or dark areas invite accidents.
  - b. **Do not operate power tools in explosive atmospheres, such as in the presence of flammable liquids, gases or dust.** Power tools create sparks which may ignite the dust or fumes.
  - c. **Keep children and bystanders away while operating a power tool.** Distractions can cause you to lose control.
2. **Electrical safety**
  - a. **Power tool plugs must match the outlet. Never modify the plug in any way. Do not use any adapter plugs with earthed (grounded) power tools.** Unmodified plugs and matching outlets will reduce risk of electric shock.
  - b. **Avoid body contact with earthed or grounded surfaces such as pipes, radiators, ranges and refrigerators.** There is an increased risk of electric shock if your body is earthed or grounded.
  - c. **Do not expose power tools to rain or wet conditions.** Water entering a power tool will increase the risk of electric shock.
  - d. **Do not abuse the cord. Never use the cord for carrying, pulling or unplugging the power tool. Keep cord away from heat, oil, sharp edges or moving parts.** Damaged or entangled cords increase the risk of electric shock.
  - e. **When operating a power tool outdoors, use an extension cord suitable for outdoor use.** Use of a cord suitable for outdoor use reduces the risk of electric shock.
  - f. **If operating a power tool in a damp location is unavoidable, use a residual current device (RCD) protected supply.** Use of an RCD reduces the risk of electric shock.
3. **Personal safety**
  - a. **Stay alert, watch what you are doing and use common sense when operating a power tool. Do not use a power tool while you are tired or under the influence of drugs, alcohol or medication.** A moment of inattention while operating power tools may result in serious personal injury.
  - b. **Use personal protective equipment. Always wear eye protection.** Protective equipment such as dust mask, non-skid safety shoes, hard hat, or hearing protection used for appropriate conditions will reduce personal injuries.
  - c. **Prevent unintentional starting. Ensure the switch is in the off-position before connecting to power source and/or battery pack, picking up or carrying the tool.** Carrying power tools with your finger on the switch or energising power tools that have the switch on invites accidents.

- d. **Remove any adjusting key or wrench before turning the power tool on.** A wrench or a key left attached to a rotating part of the power tool may result in personal injury.
- e. **Do not overreach. Keep proper footing and balance at all times.** This enables better control of the power tool in unexpected situations.
- f. **Dress properly. Do not wear loose clothing or jewellery. Keep your hair, clothing and gloves away from moving parts.** Loose clothes, jewellery or long hair can be caught in moving parts.
- g. **If devices are provided for the connection of dust extraction and collection facilities, ensure these are connected and properly used.** Use of dust collection can reduce dust-related hazards.
- 4. Power tool use and care**
- a. **Do not force the power tool. Use the correct power tool for your application.** The correct power tool will do the job better and safer at the rate for which it was designed.
- b. **Do not use the power tool if the switch does not turn it on and off.** Any power tool that cannot be controlled with the switch is dangerous and must be repaired.
- c. **Disconnect the plug from the power source and/or the battery pack from the power tool before making any adjustments, changing accessories, or storing power tools.** Such preventive safety measures reduce the risk of starting the power tool accidentally.
- d. **Store idle power tools out of the reach of children and do not allow persons unfamiliar with the power tool or these instructions to operate the power tool.** Power tools are dangerous in the hands of untrained users.
- e. **Maintain power tools. Check for misalignment or binding of moving parts, breakage of parts and any other condition that may affect the power tools operation. If damaged, have the power tool repaired before use.** Many accidents are caused by poorly maintained power tools.
- f. **Keep cutting tools sharp and clean.** Properly maintained cutting tools with sharp cutting edges are less likely to bind and are easier to control.
- g. **Use the power tool, accessories and tool bits etc. in accordance with these instructions, taking into account the working conditions and the work to be performed.** Use of the power tool for operations different from those intended could result in a hazardous situation.
- 5. Battery tool use and care**
- a. **Recharge only with the charger specified by the manufacturer.** A charger that is suitable for one type of battery pack may create a risk of fire when used with another battery pack.
- b. **Use power tools only with specifically designated battery packs.** Use of any other battery packs may create a risk of injury and fire.
- c. **When battery pack is not in use, keep it away from other metal objects, like paper clips, coins, keys, nails, screws, or other small metal objects, that can make a connection from one terminal to another.** Shorting the battery terminals together may cause burns or a fire.
- d. **Under abusive conditions, liquid may be ejected from the battery; avoid contact. If contact accidentally occurs, flush with water. If liquid contacts eyes, additionally seek medical help.** Liquid ejected from the battery may cause irritation or burns.
- 6. Service**
- a. **Have your power tool serviced by a qualified repair person using only identical replacement parts.** This will ensure that the safety of the power tool is maintained.

#### Additional power tool safety warnings



**Warning!** Additional safety warnings for drills

- ◆ **Use auxiliary handles supplied with the tool.** Loss of control can cause personal injury.
- ◆ **Hold power tool by insulated gripping surfaces when performing an operation where the cutting accessory may contact hidden wiring.** Cutting accessory contacting a "live" wire may make exposed metal parts of the power tool "live" and could give the operator an electric shock.
- ◆ **Use clamps or another practical way to secure and support the workpiece to a stable platform.** Holding the work by hand or against your body leaves it unstable and may lead to loss of control.
- ◆ Before drilling into walls, floors or ceilings, check for the location of wiring and pipes.
- ◆ Avoid touching the tip of a drill bit just after drilling, as it may be hot.
- ◆ The intended use is described in this instruction manual. The use of any accessory or attachment or performance of any operation with this tool other than those recommended in this instruction manual may present a risk of personal injury and/or damage to property.

#### Safety of others

- ◆ This tool is not intended for use by persons (including children) with reduced physical, sensory or mental capabilities, or lack of experience and knowledge, unless they have been given supervision or instruction concerning use of the tool by a person responsible for their safety.

- ◆ Children should be supervised to ensure that they do not play with the appliance.

### Residual risks

Additional residual risks may arise when using the tool which may not be included in the enclosed safety warnings. These risks can arise from misuse, prolonged use etc.

Even with the application of the relevant safety regulations and the implementation of safety devices, certain residual risks can not be avoided. These include:

- ◆ Injuries caused by touching any rotating/moving parts.
- ◆ Injuries caused when changing any parts, blades or accessories.
- ◆ Injuries caused by prolonged use of a tool. When using any tool for prolonged periods ensure you take regular breaks.
- ◆ Impairment of hearing.
- ◆ Health hazards caused by breathing dust developed when using your tool (example:- working with wood, especially oak, beech and MDF).

### Labels on tool

The following symbols are shown on the tool along with the date code:



**Warning!** To reduce the risk of injury, the user must read the instruction manual.

### Additional safety instructions for batteries and chargers

#### Batteries

- ◆ Never attempt to open for any reason.
- ◆ Do not expose the battery to water.
- ◆ Do not store in locations where the temperature may exceed 40 °C.
- ◆ Charge only at ambient temperatures between 10 °C and 40 °C.
- ◆ Charge only using the charger provided with the tool.
- ◆ When disposing of batteries, follow the instructions given in the section "Protecting the environment".



Do not attempt to charge damaged batteries.

#### Chargers

- ◆ Use your BLACK+DECKER charger only to charge the battery in the tool with which it was supplied. Other batteries could burst, causing personal injury and damage.
- ◆ Never attempt to charge non-rechargeable batteries.

- ◆ Have defective cords replaced immediately.
- ◆ Do not expose the charger to water.
- ◆ Do not open the charger.
- ◆ Do not probe the charger.



The charger is intended for indoor use only.



Read the instruction manual before use.

### Electrical safety



Your charger is double insulated; therefore no earth wire is required. Always check that the mains voltage corresponds to the voltage on the rating plate. Never attempt to replace the charger unit with a regular mains plug.

- ◆ If the supply cord is damaged, it must be replaced by the manufacturer or an authorised BLACK+DECKER Service Centre in order to avoid a hazard.

### Features

This tool includes some or all of the following features.

1. Variable speedswitch
2. Forward/reverse slider
3. Torque adjustment collar
4. Keyless chuck
5. Battery
6. Battery release button
8. Charger

### Assembly

#### Use

**Warning!** Let the tool work at its own pace. Do not overload.

#### Charging the battery (fig. A)

The battery needs to be charged before first use and whenever it fails to produce sufficient power on jobs that were easily done before. The battery may become warm while charging; this is normal and does not indicate a problem.

**Warning!** Do not charge the battery at ambient temperatures below 10 °C or above 40 °C. Recommended charging temperature: approx. 24 °C.

**Note: The charger will not charge a battery if the cell temperature is below approximately 10 °C or above 40 °C. The battery should be left in the charger and the charger will begin to charge automatically when the cell temperature warms up or cools down.**

- ◆ Plug the charger (8) into any standard 230 Volts 50 Hz electrical outlet.
- ◆ Slide the battery pack into the charger as shown in figure A.
- ◆ The green LED (9) will flash indicating that the battery is being charged.
- ◆ The completion of charge is indicated by the green LED remaining on continuously. The pack is fully charged and may be used at this time or left on the charger.

**Warning!** Do not use tool while it is connected to the charger.

**Warning!** fire Hazard. When disconnecting the charger from the tool, be sure to unplug the charger from the outlet first, then disconnect the charger cord from the tool.

### Installing and removing the battery pack from the tool (fig. B)

**Warning!** Make certain the lock-off button is engaged to prevent switch actuation before removing or installing battery. To install battery pack:

- ◆ Insert battery pack into tool, until an audible click is heard (fig. B)

### Removing the battery pack from the tool (fig. C)

- ◆ Depress the battery release button as shown in (fig. C) and pull battery pack out of tool.

## Operating Instructions

### Trigger switch & reversing button (fig. D)

- ◆ The drill is turned ON and OFF by pulling and releasing the trigger switch (1). The farther the trigger is depressed, the higher the speed of the drill operates at
- ◆ A forward/reverse control button (2) determines the direction of the tool and also serves as a lock off button.
- ◆ To select forward rotation, release the trigger switch and depress the forward/reverse control button to the left.
- ◆ To select reverse, depress the forward/ reverse control button the opposite direction.
- ◆ To lock the tool, set the forward/reverse slider into the centre position.

**Note!** The center position of the control button locks the tool in the off position. When changing the position of the control button, be sure the trigger is released.

### Torque control (fig. E)

This tool is fitted with a torque adjustment collar (3) to select the operating mode and to set the torque for tightening screws. Large screws and hard workpiece materials require a higher torque setting than small screws and soft workpiece materials.

- ◆ For drilling, set the collar to the drilling position symbol 1
- ◆ For screwdriving, set the collar to the desired setting. If you do not yet know the appropriate setting, proceed as follows:
  - ◆ Set the collar to the lowest torque setting.
  - ◆ Tighten the first screw.
  - ◆ If the clutch ratchets before the desired result is achieved, increase the collar setting and continue tightening the screw. Repeat until you reach the correct setting. Use this setting for the remaining screws

### Keyless chuck (fig. F)

**Warning!** Make certain the lock-off button is engaged to prevent switch actuation before installing or removing accessories.

To insert a drill bit or other accessory:

- ◆ Grasp the rear half of the chuck (10) with one hand and use your other hand to rotate the front half (11) in the counterclockwise direction, as viewed from the chuck end.
- ◆ Insert the bit or other accessory fully into the chuck, and tighten securely by holding the rear half of the chuck and rotating the front portion in the clockwise direction as viewed from the chuck end.

**Warning!** Do not attempt to tighten drill bits (or any other accessory) by gripping the front part of the chuck and turning the tool on. Damage to the chuck and personal injury may occur when changing accessories.

### Drilling/screwdriving

- ◆ Select forward or reverse rotation using the forward/reverse slider (2).
- ◆ To switch the tool on, press the switch (1). The tool speed depends on how far you press the switch.
- ◆ To switch the tool off, release the switch.

### Hints for optimum use

#### Drilling

- ◆ Always apply a light pressure in a straight line with the drill bit.
- ◆ Just before the drill tip breaks through the other side of the workpiece, decrease pressure on the tool.
- ◆ Use a block of wood to back up workpieces that may splinter.
- ◆ Use spade bits when drilling large diameter holes in wood.
- ◆ Use HSS drill bits when drilling in metal.
- ◆ Use masonry bits when drilling in soft masonry.
- ◆ Use a lubricant when drilling metals other than cast iron and brass.
- ◆ Make an indentation using a centre punch at the centre of the hole to be drilled in order to improve accuracy.

## Screwdriving

- ◆ Always use the correct type and size of screwdriver bit.
- ◆ If screws are difficult to tighten, try applying a small amount of washing liquid or soap as a lubricant.
- ◆ Always hold the tool and screwdriver bit in a straight line with the screw

## Troubleshooting

Problem	Possible cause	Possible solution
Unit will not start.	Battery pack not charged.	Check battery pack charging requirements
Battery pack will not charge.	Charger not plugged in.  Surrounding air temperature too hot or too cold.	Plug charger into a working outlet.  Move charger and battery pack to a surrounding air temperature of above 40 degrees F (45°C) or below 105 degrees F (+40.5°C)
Unit shuts off abruptly.	Battery pack has reached its maximum thermal limit.  Out of charge. (To maximize the life of the battery pack it is designed to shutoff abruptly when the charge is depleted)	Allow battery pack to cool down.  Place on charger and allow to charge.

## Maintenance

Your BLACK+DECKER tool has been designed to operate over a long period of time with a minimum of maintenance. Continuous satisfactory operation depends upon proper tool care and regular cleaning.

Your charger does not require any maintenance apart from regular cleaning.

**Warning!** Before performing any maintenance on the tool, remove the battery from the tool. Unplug the charger before cleaning it.

- ◆ Regularly clean the ventilation slots in your tool and charger using a soft brush or dry cloth.
- ◆ Regularly clean the motor housing using a damp cloth. Do not use any abrasive or solvent-based cleaner.
- ◆ Regularly open the chuck and tap it to remove any dust from the interior.

## Protecting the environment



Separate collection. This product must not be disposed of with normal household waste.

Should you find one day that your BLACK+DECKER product needs replacement, or if it is of no further use to you, do not dispose of it with household waste. Make this product available for separate collection.



Separate collection of used products and packaging allows materials to be recycled and used again.

Re-use of recycled materials helps prevent environmental pollution and reduces the demand for raw materials.

Local regulations may provide for separate collection of electrical products from the household, at municipal waste sites or by the retailer when you purchase a new product.

BLACK+DECKER provides a facility for the collection and recycling of BLACK+DECKER products once they have reached the end of their working life. To take advantage of this service please return your product to any authorised repair agent who will collect them on our behalf.

You can check the location of your nearest authorised repair agent by contacting your local BLACK+DECKER office at the address indicated in this manual. Alternatively, a list of authorised BLACK+DECKER repair agents and full details of our after-sales service and contacts are available on the Internet at: [www.2helpU.com](http://www.2helpU.com)

## Batteries



There are no user serviceable parts inside.

- ◆ At the end of your products life return the whole unit to your service agent or to a local recycling station to have the battery recycled. Do not throw the unit out with household waste.

## Service Information

BLACK+DECKER offers a full network of company-owned and authorized service locations throughout Asia. All BLACK+DECKER Service Centers are staffed with trained personnel to provide customers with efficient and reliable product service.

Whether you need technical advice, repair, or genuine factory replacement parts, contact the BLACK+DECKER location nearest to you.



**NOTE**

- ◆ BLACK+DECKER's policy is one of continuous improvement to our products and, as such, we reserve the right to change product specifications without prior notice.
- ◆ Standard equipment and accessories may vary by country.
- ◆ Product specifications may differ by country.
- ◆ Complete product range may not be available in all countries. Contact your local BLACK+DECKER dealers for range availability.



# BDCDD12

## 電鑽

### 技術資料

BDCDD12		
電壓	$V_{DC}$	10.8
空載轉速	$Min^{-1}$	0-550rpm
最大扭矩 (軟材質/硬材質)	Nm	12.5/26
夾頭尺寸	mm	1-10
最大鑽孔效能		
鋼材/木材	mm	10/25
重量	kg	0.98
充電器		
輸入電壓	$V_{AC}$	100-240
輸出電壓	$V_{DC}$	8-20
電流	mA	400
大約充電時間	小時	4
電池		
電壓	$V_{DC}$	10.8
容量	Ah	1.5
類型		鋰離子電池

**請注意!** 各地區上市產品/配件不盡相同, 請依台灣繁體中文說明書的內容為主。

**Warning!** Attachments and accessories are not the same in each region, please only refer to Taiwan Traditional Chinese description in this manual.

### 設計用途

您的 BLACK+DECKER BDCDD12 電鑽設計用於螺旋應用以及在木材、鋼材和塑膠上鑽孔。本工具僅供一般 DIY 消費者家庭使用, 營業使用者不適用一年保修條款

### 安全指示

### 電動工具一般安全警告



**警告!** 請閱讀所有安全警告及使用指示。若不遵循以下所示警告及指示, 可能會導致觸電、火災及/或嚴重傷害。

請妥善保存所有警告及指示以備將來查閱。

以下所示所有警告中的術語「電動工具」係指由電源供電 (插電式) 或由電池供電 (充電式) 的電動工具。

#### 1. 工作場地安全

- 請保持工作場地清潔明亮。雜亂或黑暗的場地會引發事故。
- 請勿在易爆環境 (例如存在易燃液體、氣體或粉塵的環境) 中操作電動工具。電動工具產生的火花可能會引燃粉塵或煙霧。
- 操作電動工具時, 請遠離兒童與旁觀者。分心會導致您疏於控制。

#### 2. 電氣安全

- 電動工具插頭必須與插座相符。切勿以任何方式改裝插頭。請勿將接地的電動工具與任何配接器插頭搭配使用。使用未經改裝的插頭與相符的插座可降低觸電風險。
- 請避免人體接觸接地表面 (例如管道、散熱片、爐灶及冰箱)。若您身體接地, 會提高觸電的風險。
- 請勿將電動工具暴露在雨中或潮濕環境中。水進入電動工具會提高觸電風險。
- 請勿濫用電線。切勿使用電線來搬運、拉動電動工具或拔出插頭。請讓電線遠離熱、油、銳邊或活動部件。受損或纏繞的電線會提高觸電風險。
- 在室外操作電動工具時, 請使用適合室外使用的延長電纜。採用適合室外使用的電線可降低觸電危險。
- 若必須在潮濕環境中操作電動工具, 請使用受漏電保護器 (RCD) 保護的電源供應器。使用 RCD 可降低觸電風險。

#### 3. 人身安全

- 操作電動工具時, 請保持警覺、留意所執行的操作並運用常識。請勿在疲倦或在受到毒品、酒精或藥物的影響時使用電動工具。操作電動工具時, 一時的注意力分散可能會導致嚴重人身傷害。
- 請使用人身防護設備。始終佩戴護目裝置。防護設備 (例如在適當條件下使用的防塵面具、防滑安全鞋、安全帽或聽力保護裝置) 可減少人身傷害。
- 請避免意外啟動。在連接至電源及/或電池組、抬起或搬運工具之前, 請確保開關處於關閉位置。若搬運電動工具時將手指放在開關上, 或者在電動工具開關開啟時將插頭插入電源插座, 這兩種行為都會引發事故。

- d. 開啟電動工具之前，請卸下所有調整鑰匙或扳手。電動工具旋轉部件上遺留的扳手或鑰匙可能會導致人身傷害。
- e. 請勿過度伸張雙手。時刻注意腳下與身體的平衡。如此可在意外情況下更好地控制電動工具。
- f. 穿著適當。請勿穿著寬鬆衣服或佩戴飾品。讓頭髮、衣服及手套遠離活動部件。寬鬆衣服、佩戴或長髮可能會捲入活動部件中。
- g. 若為連接除塵與集塵設備而提供裝置，請確保妥善連接及正確使用。使用集塵設備可降低與粉塵有關的危險。

#### 4. 電動工具的使用與維護

- a. 請勿超負荷使用電動工具。請根據您的應用使用正確的電動工具。若使用的電動工具正確無誤，該工具能以設計額定值更有效、更安全地執行工作。
- b. 若開關無法開啟或關閉本電動工具，請勿使用。若開關無法控制電動工具，則電動工具存在危險，必須予以維修。
- c. 在執行任何調整、變更配件或存放電動工具之前，必須從電源上拔出插頭及/或卸下電動工具的電池組。此類防護性安全措施可降低電動工具意外啟動的風險。
- d. 請將閒置的電動工具存放在兒童無法接觸的地方，請勿讓不熟悉電動工具或這些指示的人員操作電動工具。未經訓練的使用者操作電動工具會發生危險。
- e. 維護電動工具。請檢查是否存在活動部件未對準或卡住、部件破損以及可能影響電動工具運作的其他任何狀況。若電動工具有損傷，請先維修，後使用。許多事故都因電動工具維護不善所導致。
- f. 請保持刀具鋒利清潔。妥善維護、刀刃鋒利的刀具卡住的可能性更低，更易於控制。
- g. 遵循使用指示以及工作條件和所要執行的工作使用電動工具、配件和工具刀頭等。若使用電動工具執行與設計用途不相符的操作，會導致危險。

#### 5. 電池工具的使用與注意事項

- a. 只能使用製造廠商指定的充電器為電池充電。使用僅適合一種電池組的充電器為其他類型的電池組充電會導致火災危險。
- b. 請使用原廠的電動工具電池組。使用其他非原廠的電池組會導致人身傷害和火災危險。
- c. 不使用電池組時，請將其遠離如迴紋針、硬幣、鑰匙、釘子、螺絲以及其他可連通電池兩極的金屬物品。將電池兩極短路會導致灼傷或火災。
- d. 濫用電池的情況下，液體會從電池中噴出；避免與液體接觸。若不慎接觸液體，請用清水沖洗。若液體噴濺到眼睛上，沖洗之後還要進行治療。從電池噴出的液體會刺激皮膚或造成灼傷。

#### 6. 維修

- a. 維修本電動工具時，必須由合格的維修人員執行，而且只能使用完全一致的更換件。如此可確保維持電動工具的安全性。電動工具之修理，僅可由認證的技術人員執行。請勿交由非百得認證服務中心的認證技術人員進行修理、維護、調整。若產品經由非百得認證的維修工程師拆解、組裝、調整，恕無法適用百得一年家用保修條款。為充份發揮其功能，修理、維護、調整請務必使用原廠零件。

## 電動工具的附加安全警告



### 警告！電鑽之附加安全警告

- ◆ 請使用工具隨附的輔助手柄。工具失控會導致人身傷害。
- ◆ 若在執行操作時切削配件可能會接觸隱藏的電線，請從絕緣手柄表面握住電動工具。若切削配件接觸到「帶電」導線，電動工具的裸金屬部件就會「帶電」，從而導致操作人員觸電。
- ◆ 請使用夾具或其他可行方式，在穩定的平台上對工件進行固定及支撐。手持工件或用身體抵住工件會導致工件不穩定，可能會導致失去控制。
- ◆ 在牆上、地板和天花板上鑽孔之前，請檢查電線和鋼管位置。
- ◆ 不要在鑽孔後立刻碰觸可能還帶熱的鑽頭尖端。
- ◆ 設計用途已在本使用說明手冊中載明。若使用的配件或附件，或使用本工具執行的操作與本使用說明手冊中的建議不相符，可能會招致人身傷害及/或財損的風險。

## 他人的安全

- ◆ 生理、感覺或心理機能不健全的人員（包括兒童）或缺乏經驗及知識的人員，除非由負責其安全的人員提供有關使用此器具的監督或指示，否則不得使用本工具。
- ◆ 應對兒童進行監督，以確保其不會玩要本器具。

## 殘餘風險

使用本工具時，可能會出現隨附安全警告中所不包括的其他殘餘風險。誤用、長時間使用工具等因素會導致這些風險。

即使遵循相關安全規定並採用安全裝置，仍然無法避免某些殘餘風險。此類風險包括：

- ◆ 接觸旋轉/活動部件引起的傷害。
- ◆ 更換任何部件、刀片或配件時引起的傷害。
- ◆ 長時間使用工具引起的傷害。長時間使用任何工具時，請確保定期休息。
- ◆ 聽力受損。
- ◆ 吸入使用工具時產生的塵埃引起的健康危害。（譬如：在木材上使用時，尤其是櫟木、山毛櫸和中密度纖維板（MDF））

## 工具上的標籤

本工具上具有以下圖示與日期代碼：



**警告！**為了降低受傷的風險，使用者必須仔細閱讀使用手冊。

3. 扭矩調整環
4. 快速夾頭
5. 電池
6. 電池釋放按鈕
8. 充電器

## 電池和充電器之附加安全指示

### 電池

- ◆ 不論是因為任何理由，都請勿嘗試打開電池。
- ◆ 請勿將電池暴露在水中。
- ◆ 不要將電池儲存在溫度可能超過 40°C 的地方。
- ◆ 只在環境溫度介於 10°C 和 40°C 之間的情況下充電。
- ◆ 只能使用本工具隨附的充電器為電池充電。
- ◆ 處置電池時，請遵循「保護環境」一節所提供的指示。



切勿試圖為損毀的電池充電。

### 充電器

- ◆ 只能使用工具隨附的 BLACK+DECKER 充電器為工具內的電池充電。其他非原廠電池可能會爆裂，導致人身傷害和損害。
- ◆ 切勿嘗試為非可充電電池充電。
- ◆ 立即更換損壞的電線。
- ◆ 請勿將充電器暴露在水中。
- ◆ 請勿打開充電器。
- ◆ 請勿刺破充電器。



本充電器僅供室內使用。



使用之前請閱讀使用手冊。

## 電氣安全



您的充電器採用雙重絕緣，因此不需要使用接地線。請務必檢查主電壓是否與銘牌一致。切勿嘗試使用一般的電源插頭取代充電器裝置。

- ◆ 若電源線損壞，必須送往製造廠商或授權的 BLACK+DECKER 服務中心更換以避免發生危險。

## 功能部件

本工具包括以下部分或全部功能部件。

1. 變速開關
2. 正/反轉開關

## 裝配

### 使用

**警告！**請讓工具以自身之速度工作。請勿使它過載。

### 為電池充電 (圖 A)

第一次使用電池之前，以及電池無法像從前一樣為作業輕鬆提供足夠的電量時，就需要充電。電池在充電時可能會變熱；這是正常現象，並不表示出現問題。

**警告！**請勿在環境溫度低於 10°C 或高於 40°C 的狀況下為電池充電。推薦的充電溫度：約 24°C。

**註：若電池溫度低於約 10°C 或高於 40°C，充電器將不會為電池充電。電池應留在充電器中，電池溫度升高或降低後，充電器將自動開始充電。**

- ◆ 將充電器 (8) 插頭插入標準的 110 伏 60 Hz 電源插座。
- ◆ 將電池組滑入充電器，如圖 A 所示。
- ◆ 綠色 LED 燈 (9) 將會閃爍，指示電池正在充電。
- ◆ 當綠色 LED 燈持續亮起時，代表充電完成。這時電池組的電力全滿，可以立即使用或是留在充電器中。

**警告！**請勿在工具連接至充電器時使用工具。

**警告！**有火災危險。中斷充電器與工具的連接時，請確保先從插座中拔出充電器插頭，然後再中斷充電器纜線與工具的連接。

在電池用完電量後，建議馬上充電，鋰電池請勿過度放電，電力過度耗竭會導致鋰電池損壞。

請將電池從機身卸下分開存放，若長時間未使用電池 (1 年以上)，請每 6 個月為電池充電一次，以確保電池壽命。

### 在工具上安裝與取出電池組 (圖 B)

**警告！**卸下或安裝電池組之前，請確保鎖止按鈕已接合，以防止開關啟動。若要安裝電池組：

- ◆ 將電池組插入至工具中，直到聽到卡嗒聲 (圖 B)。

### 從工具中取出電池組 (圖 C)

- ◆ 按下電池釋放按鈕，如圖 C 所示，然後從工具中拉出電池組。

## 操作說明


### 觸發開關與反轉按鈕 (圖 D)

- ◆ 電鑽透過拉動與鬆開觸發開關 (1) 來開啟及關閉。愈用力擠壓觸發開關，電鑽便會以愈快的速度運轉。
- ◆ 正/反轉控制按鈕 (2) 可決定工具的方向，同時具備鎖止功能。
- ◆ 若要選擇正轉，請鬆開觸發開關，然後向左側按下正/反轉控制按鈕。
- ◆ 若要選擇反轉，請向相反方向按下正/反轉控制按鈕。
- ◆ 若要鎖定工具，請將正/反轉開關撥到中間位置。

**注意！**當控制按鈕處於中心位置時，工具會被鎖定在關閉位置。若要變更控制按鈕的位置，請確保觸發器已經鬆開。

### 扭矩控制 (圖 E)

本工具有扭矩調整環 (3)，可藉此選取操作模式並設定扭緊螺釘的扭矩。大螺釘和堅硬工件材料，比小螺釘和柔軟工件材料需要更高的扭矩設定。

- ◆ 若要執行鑽孔操作，請將調整環設定到鑽孔位置符號 
- ◆ 若要執行螺旋操作，請將調整環設定到所需設定。若您尚未知道正確設定，請執行下列操作：
  - ◆ 將調整環設定到最低的扭矩設定。
  - ◆ 鎖緊第一顆螺絲。
  - ◆ 如果在達到預期的扭矩值之前離合器已鎖緊，請提高調整環設定並繼續鎖緊螺絲。重複上述步驟，直到您達到正確設定為止。對其餘螺釘使用此設定。

### 快速夾頭 (圖 F)

**警告！**安裝或卸下配件之前，請確保開關已鎖定，以防止開關啟動。

若要插入鑽頭或其他配件：

- ◆ 以一隻手握住夾頭的後半部 (10)，使用另一隻手以逆時針方向 (從夾頭末端看來) 旋轉前半部 (11)。
- ◆ 將鑽頭或其他配件完全插入夾頭，握住夾頭後半部並以順時針方向 (從夾頭末端看來) 旋轉前半部，以將其扭緊。

**警告！**不要嘗試透過握住夾頭前部並啟動工具來擰緊鑽頭 (或任何其它配件)。更換配件時可能會導致夾頭損壞和人身傷害。

### 鑽孔/螺旋操作

- ◆ 使用正/反轉開關 (2) 選擇正向或反向旋轉。
- ◆ 若要打開工具電源，請按下開關 (1)。工具轉速取決於您按下開關的程度。
- ◆ 若要關閉工具電源，請鬆開電源開關。

### 最佳使用提示

#### 鑽孔

- ◆ 始終以與鑽頭方向成一直線的方式施加輕微力度。
- ◆ 在鑽頭快要刺破工件的另一面時，降低施加到工具上的力度。
- ◆ 用木塊墊住可能會碎裂的工件。
- ◆ 在木材上進行大直徑鑽孔時，請使用扁鑽頭。
- ◆ 在金屬上鑽孔時，請使用 HSS 鑽頭。
- ◆ 在軟質磚石上鑽孔時，請使用磚石鑽頭。
- ◆ 在鑄鐵和黃銅材料以外的金屬上鑽孔時，請使用潤滑劑。
- ◆ 在要鑽開的洞孔中央使用中央沖孔來產生凹痕，這樣可改進準確度。

### 螺旋操作

- ◆ 始終使用正確類型和尺寸的電鑽起子頭。
- ◆ 如果螺絲難以鎖緊，請嘗試用小量洗滌液或肥皂作為潤滑劑。
- ◆ 始終讓工具及電鑽起子頭與螺絲成一直線。

### 疑難排解

問題	可能的原因	可能的解決方案
設備不會啟動。	電池組未充電。	檢查電池組的充電需求
電池組無法充電。	充電器未插電。	將充電器插入工作插座。
	環境空氣溫度太高或太低。	將充電器與電池組移至空氣溫度高於 40°F (45°C) 或低於 105°F (+40.5°C) 的環境中。
裝置突然關閉。	電池組已達到其溫度上限。  電量耗盡。為了最大限度延長電池組的使用壽命，將電池組設計為在電量耗盡時突然關閉。	讓電池組冷卻。  將電池組放入充電器進行充電。

### 維護

您的 BLACK+DECKER 工具採用卓越的設計，能夠長時間使用，並且只需最少的維護。若要持續獲得滿意的操作效果，需進行正確的工具維護和定期的清潔。

您的充電器除了定期清潔之外，並不需要執行任何維護操作。

**警告！**在工具上執行任何維護工作之前，請卸下工具內的電池。請在清潔充電器之前拔出充電器的插頭。

- ◆ 請定期使用軟刷或乾布清潔工具和充電器內的通風槽。

- ◆ 請定期使用濕布清潔電動機外殼。請勿使用任何研磨性或基於溶劑的清潔劑。
- ◆ 請定期打開夾頭並輕敲以去除內部的任何塵埃。

## 保護環境



分開收集。本產品必須與一般家庭廢物分開處置。

若您發現您的 BLACK+DECKER 產品需要進行替換，或您已經不再需要使用這些產品，請不要將它們與家庭廢物一起處置。務必將本產品送往分類收集處。



透過分開收集用過的产品與包裝，可以實現材料的循環再生利用。  
重複使用回收的材料有助於防止環境污染，並降低對原材料的需求。

當地法規可能要求由市政廢物回收點，或由向您出售新產品的經銷商來提供將電子產品與家庭廢物分類收集的服務。

BLACK+DECKER 在其產品使用壽命結束時提供 BLACK+DECKER 產品收集和回收循環利用的便利。若要享受此項服務，請將產品送回至代表我們進行收集的任一授權維修代理商處。

您可以根據本手冊上所提供的地址與當地 BLACK+DECKER 辦事處聯絡，查詢離您最近的授權維修代理商所在位置。亦可瀏覽網站查詢 BLACK+DECKER 授權維修中心清單和售後服務及聯絡資料之詳細資訊，網址是：[www.2helpU.com](http://www.2helpU.com)

## 電池



裝置內不含使用者可檢修的部件。

- ◆ 產品使用壽命結束時，請將整個裝置送回維修代理商或當地的回收站，以回收電池。請勿將本裝置連同生活垃圾一起丟棄。

## 服務資訊

BLACK+DECKER 提供遍佈亞洲的公司隸屬及授權服務地點。所有的 BLACK+DECKER 服務中心都具有訓練有素的人員，為客戶提供高效、可靠的產品服務。

不論您需要的是技術建議、維修服務還是原廠正品替換零件，都可以聯絡您最近的 BLACK+DECKER 服務地點。

## 附註

- ◆ BLACK+DECKER 秉持不斷改善產品的原則，因此，我們保留隨時變更產品規格而不預先通知的權利。
- ◆ 標準設備及配件可能視國家/地區而有所不同。
- ◆ 產品規格可能視國家/地區而有所不同。
- ◆ 並非在所有的國家/地區都將提供完整的產品系列。如需各產品系列的供應情況，請聯絡您當地的 BLACK+DECKER 代理商。

經銷商: 特力股份有限公司

地址: 台北市內湖區新湖三路 23 號 1.2.5 樓

電話: 0800-552888

進口/委製廠商: 新加坡商百得電動工具(股)公司台灣分公司

地址: 台北市北投區裕民六路 120 號 4 樓

電話: 02-2820-1065



# BDCDD12

## 드릴 드라이버

### 기술 데이터

		BDCDD12
전압	$V_{DC}$	10.8
무부하 속도	$\text{분}^{-1}$	0-550rpm
최대 토크	Nm	12.5/26
척 크기	mm	1-10
<b>최대 드릴 용량</b>		
철재/목재	mm	10/25
무게	kg	0.98
<b>충전기</b>		
입력 전압	$V_{AC}$	100-240
출력 전압	$V_{DC}$	8-20
전류	mA	400
대략적 충전 시간	시간	4
<b>배터리</b>		
전압	$V_{DC}$	10.8
용량	Ah	1.5
종류		리튬 이온

### 용도

BLACK+DECKER BDCDD12 드릴 드라이버는 나사를 조이거나 목재, 금속 및 플라스틱의 드릴 작업용으로 설계되었습니다. 본 공구는 전문가 및 일반 소비자용입니다.

### 안전 지침

#### 전동 공구에 관한 일반 안전 경고



**경고!** 안전 경고와 지시 사항을 모두 읽으십시오. 아래 나열된 경고와 지시 사항을 준수하지 않으면 감전, 화재 및/또는 심각한 부상을 초래할 수 있습니다.

항후 참고할 수 있도록 모든 경고 및 지시 사항을 보관해두십시오.

아래의 모든 경고에서 사용된 “전동 공구” 라는 말은 주 공급 전원에 의해 전기가 공급되는 (유선) 전동 공구 또는 충전식 (무선) 전동 공구를 의미합니다.

#### 1. 작업장 안전

- 작업 영역을 청결하고 밝게 유지하십시오.** 혼잡하거나 어두운 작업장에서는 사고가 발생하기 쉽습니다.
- 가연성 액체, 가스 또는 먼지 등이 있는 폭발성 대기에서 전동 공구를 사용하지 마십시오.** 전동 공구에서 먼지나 가스를 발화시킬 수 있는 불꽃이 될 수 있습니다.
- 전동 공구로 작업하는 동안에는 어린이와 주변 사람들이 작업 영역에 가까이 들어오지 못하도록 하십시오.** 주변이 산만해져 통제력을 잃을 수 있습니다.

#### 2. 전기 안전

- 전동 공구의 플러그는 콘센트와 형식이 일치해야 합니다.** 플러그를 어떤 방식으로든 절대 개조하지 마십시오. 접지된 (지면 접지) 전동 공구에 어떤 어댑터 플러그도 사용하지 마십시오. 개조되지 않은 플러그 및 형식이 일치하는 콘센트를 사용하면 감전 위험이 줄어듭니다.
- 파이프, 라디에이터, 렌지 및 냉장고 등과 같이 접지된 표면에 신체가 접촉하지 않도록 하십시오.** 신체가 접지되어 있으면 감전 위험이 높아집니다.
- 전동 공구를 비 또는 습한 환경에 노출하지 않도록 주의하십시오.** 전동 공구에 물이 들어가면 감전 위험이 높아집니다.
- 코드를 함부로 다루지 마십시오.** 코드를 사용하여 전동 공구를 운반하거나 잡아당기거나 플러그를 뽑지 마십시오. 열, 오일, 날카로운 모서리 또는 움직이는 부품에서 멀리 떨어진 장소에 코드를 보관하십시오. 코드가 손상되거나 얽혀 있으면 감전 위험이 높아집니다.
- 전동 공구를 실외에서 사용할 때는 실외 사용에 적합한 연장 코드를 사용하십시오.** 실외 사용에 적합한 코드를 사용하면 감전 위험이 줄어듭니다.
- 어쩔 수 없이 습한 장소에서 전동 공구를 사용해야 하는 경우에는 누전 차단기 (RCD) 로 보호된 전원을 공급하십시오.** RCD를 사용하면 감전 위험이 줄어듭니다.

#### 3. 신체 안전 사항

- 전동 공구로 작업할 때는 방심하지 말고 작업에 주의하면서 상식에 따르십시오.** 피곤한 상태이거나 약물, 술, 치료제를 복용한 상태에서는 전동 공구를 사용하지 마십시오. 전동 공구를 사용하는 중에 주의력을 잃어 순간적으로 부상을 당할 수 있습니다.
- 신체 보호 장비를 착용하십시오.** 항상 보안경을 착용하십시오. 적절한 상황에서 방진 마스크, 미끄럼 방지 안전화, 안전모 또는 청력 보호 기구 등의 보호 장비를 사용하면 신체 부상 위험이 줄어듭니다.

- c. 갑작스러운 장비 가동을 방지하십시오. 전원 및/또는 배터리 팩에 연결한 상태로 공구를 선택 또는 운반할 때는 사전에 스위치가 꺼짐 위치에 있는지 반드시 확인하십시오. 스위치가 켜짐 위치에 있는 상태에서 스위치가 손가락이 닿은 상태로 전동 공구를 운반하거나 전동 공구에 전원을 공급하면 사고가 발생할 수 있습니다.
  - d. 전동 공구를 켜기 전에 모든 조정 키 또는 렌치를 제거하십시오. 전동 공구의 회전 부품에 렌치나 키가 부착되어 있으면 부상을 당할 수 있습니다.
  - e. 무리하게 팔을 뻗지 마십시오. 항상 올바른 자세로 서서 균형을 유지하십시오. 그러면 예기치 않은 상황에서 전동 공구 제어 능력이 향상됩니다.
  - f. 적절한 의복을 착용하십시오. 헐렁한 옷이나 장신구를 착용하지 마십시오. 머리카락, 옷 및 장갑이 움직이는 부품에 닿지 않도록 유의하십시오. 헐렁한 옷, 장신구 또는 긴 머리가 움직이는 부품에 걸 수 있습니다.
  - g. 먼지 배출 및 집진 시설 연결을 위한 장치가 제공된 경우, 이들 장치가 연결되어 적절히 사용되고 있는지 반드시 확인하십시오. 집진 장치를 사용하면 먼지와 관련된 위험을 줄일 수 있습니다.
4. 전동 공구 사용 및 관리
    - a. 전동 공구에 무리한 힘을 가하지 마십시오. 해당 용도에 맞는 올바른 전동 공구를 사용하십시오. 올바른 전동 공구를 사용해야 설계된 속도로 작업을 더욱 안전하고 정확하게 수행할 수 있습니다.
    - b. 스위치 켜짐/꺼짐이 되지 않는 전동 공구는 사용하지 마십시오. 스위치로 제어되지 않는 전동 공구는 위험하므로 수리해야 합니다.
    - c. 전동 공구를 조정하거나 액세서리를 변경하거나 보관하기 전에 전원 및/또는 배터리 팩에서 플러그를 빼십시오. 이러한 예방적 안전 조치를 따라야 전동 공구가 갑자기 작동할 위험이 줄어듭니다.
    - d. 사용하지 않는 전동 공구는 어린이의 손이 닿지 않는 곳에 보관하고, 전동 공구나 본 지시 사항에 익숙하지 않은 사람이 전동 공구를 절대 사용하지 못하게 하십시오. 전동 공구는 훈련을 받지 않은 사용자가 다루면 위험합니다.
    - e. 전동 공구 유지 보수, 움직이는 부품의 잘못된 정렬이나 바인딩, 부품 파손 및 기타 전동 공구의 작동에 영향을 미칠 수 있는 상태가 있는지 확인하십시오. 손상된 부분이 있는 경우 사용하기 전에 전동 공구를 수리하십시오. 많은 사고는 전동 공구를 제대로 유지 보수하지 않아 발생합니다.
    - f. 공구를 깨끗한 상태로 유지하십시오. 절삭 가장자리를 예리하게 잘 유지하면 절삭기를 사용할 때 바인딩이 적고 다루기가 용이합니다.
    - g. 작업 환경과 수행할 작업을 고려하여, 본 지시 사항에 따라 전동 공구, 액세서리 및 톨 비트 등을 사용하십시오. 본 사용 설명서의 내용과 다른 용도로 전동 공구를 사용하면 위험한 상황이 발생할 수 있습니다.

5. 배터리 단자 사용 및 관리
  - a. 다시 충전할 때는 제조업체에서 지정한 충전기만 사용하십시오. 하나의 배터리 팩 유형에 적합한 충전기를 다른 배터리 팩과 함께 사용할 경우 화재의 위험이 있습니다.
  - b. 전동 공구를 사용할 때는 구체적으로 지정되어 있는 배터리 팩만 사용하십시오. 다른 배터리 팩을 사용하면 부상을 입거나 화재의 위험이 있습니다.
  - c. 배터리 팩을 사용하지 않을 때에는 클립, 동전, 키, 못, 나사 등의 금속 물체나, 단자 간에 연결할 수 있는 작은 금속 물체가 닿지 않도록 멀리 두십시오. 배터리 단자가 단락되면 화상을 입거나 화재가 발생할 위험이 있습니다.
  - d. 배터리를 과다 사용하면 배터리액이 흘러 나올 수 있는데 접촉을 피하십시오. 실수로 접촉한 경우에는 물로 씻으십시오. 액체가 눈에 들어가면 치료를 받으십시오. 배터리에서 나온 액체는 통증을 유발하거나 화상을 입힐 수 있습니다.
6. 정비
  - a. 자격을 갖춘 기술자가 동일 교체 부품을 사용하여 정비 작업을 수행해야 합니다. 그래야 전동 공구의 안전이 보장됩니다.

## 전동 공구에 관한 추가 안전 경고



경고! 드릴에 대한 추가 안전 경고.

- 공구와 함께 제공되는 보조 핸들을 사용하십시오. 제어력을 잃으면 신체 부상을 당할 수 있습니다.
- 절삭 액세서리가 숨겨진 배선에 접촉할 수 있는 작업을 수행할 때는 절연된 그림핑 표면이 닿도록 하여 전동 공구를 잠으십시오. “전류가 흐르는” 전선에 접촉된 절삭 액세서리는 전동 공구의 노출된 금속 부품을 “전류가 흐르는” 상태로 만들어 작업자를 감전시킬 수 있습니다.
- 클램프 또는 다른 적절한 방식을 이용하여 안정된 작업대에 작업 공구들을 고정하거나 지지하십시오. 작업물을 손으로 잡거나 몸으로 지탱하는 행동은 불안정하여 제어력을 잃을 수 있습니다.
- 벽, 바닥 또는 천장에 드릴 작업을 하기 전에 배선 및 파이프의 위치를 확인하십시오.
- 드릴 작업을 한 후에는 드릴 끝이 뜨거울 수 있으므로 만지지 마십시오.
- 본 사용 설명서에 제품의 용도가 설명되어 있습니다. 본 사용 설명서에서 권장하는 방식 이외의 다른 방식으로 본 공구를 조작하거나 액세서리 또는 부착물을 사용하는 경우 신체 부상의 위험이 있거나 재산상의 손해가 발생할 수 있습니다.

## 다른 사람들의 안전

- 이 공구는 신체, 지각 또는 정신 능력이 낮거나 경험 및 지식이 부족한 사람 (어린이 포함) 이 사용



하도록 설계되지 않았습니니다. 이러한 사람이 사용할 때는 안전 책임자의 감독 또는 제품 사용과 관련된 지시 사항이 필요합니다.

- 어린이가 본 제품을 가지고 놀지 못하도록 항상 주시해야 합니다.

### 기타 발생 가능한 위험

공구를 사용할 때 동봉된 안전 경고에 포함되어 있지 않은 잔류 위험이 발생할 수 있습니다. 이러한 위험은 오염, 장시간 사용 등으로 인해 발생할 수 있습니다. 관련된 안전 규정을 준수하고 안전 장치를 사용한다고 해도 어떤 위험들은 피하지 못할 수도 있습니다. 이러한 위험으로는 다음과 같은 것들이 있습니다.

- 회전 부품이나 작동 부품을 만져 발생하는 부상.
- 부품, 톱날 또는 액세서리 변경으로 인한 부상.
- 장시간에 걸친 공구 사용으로 인한 부상. 어떤 공구 이든 장시간에 걸쳐 사용할 때는 반드시 정기적인 휴식을 취하십시오.
- 청력 손상.
- 공구 사용 중에 발생하는 먼지를 호흡하여 유발되는 건강 위해성 (예: 목재, 특히 오크, 너도밤나무 및 MDF 가공 작업).

### 공구 라벨

공구에는 날짜 코드와 함께 다음과 같은 기호가 표시되어 있습니다.



**경고!** 부상 위험을 줄이려면 사용자는 사용 설명서를 주의 깊게 읽어야 합니다.

### 배터리와 충전기 관련 추가 안전 지시 사항

#### 배터리

- 어떤 이유로든 배터리 팩을 절대 열려고 하지 마십시오.
- 배터리에 물이 닿지 않도록 하십시오.
- 온도가 40°C를 초과할 수 있는 곳에 보관하지 마십시오.
- 주변 온도가 10°C - 40°C 사이에 있을 때에만 충전하십시오.
- 충전할 때는 이 공구와 함께 제공된 충전기만 사용해야 합니다.
- 배터리를 폐기할 때는 "환경 보호" 섹션에 나와 있는 지시 사항을 따르십시오.



손상된 배터리를 충전하지 마십시오.

#### 충전기

- 제품과 함께 제공된 배터리를 충전할 때는 BLACK+DECKER 충전기만 사용하십시오. 다른 배터리를 사용하면 배터리가 폭발하여 신체 부상을 당

하거나 손해를 입을 수 있습니다.

- 절대로 비충전식 배터리를 충전하려고 하지 마십시오.
- 손상된 코드는 즉시 교체하십시오.
- 충전기에 물이 닿지 않도록 하십시오.
- 충전기를 해체하거나 열지 마십시오.
- 충전기를 시험하지 마십시오.



충전기는 실내용으로만 사용됩니다.



사용하기 전에 사용 설명서의 내용을 숙지하십시오.

### 전기 안전



본 충전기는 이중으로 절연되어 있으므로 접지가 필요 없습니다. 전원 전압이 명판에 기재된 전압과 일치하는지 항상 확인하십시오. 충전기를 절대로 일반 전원 플러그로 교체하지 마십시오.

- 전원 코드가 손상된 경우 사고가 발생하지 않도록 제조업체 또는 공인 BLACK+DECKER 서비스 센터에서 교체해야 합니다.

### 기능

본 청소기에는 다음 기능들 중 일부 또는 전부가 포함되어 있습니다.

1. 가변 속도 스위치
2. 전진/후진 슬라이더
3. 토크 조절 칼라
4. 키리스 척
5. 배터리
6. 배터리 탈착 버튼
8. 충전기

### 조립

#### 사용법

**경고!** 공구를 정상 속도로 가동하십시오. 과부하가 발생하면 안 됩니다.

#### 배터리 충전 (그림 A)

배터리는 처음 사용하기 전에, 그리고 이전에 간단히 수행했던 작업에서 전력이 부족할 때마다 충전해야 합니다. 충전 중에 배터리가 뜨거워질 수도 있습니다. 이는 정상적인 현상이며 고장이 아닙니다.

**경고! 주변 온도가 10°C 미만이거나 40°C 이상일 때는 배터리를 충전하지 마십시오. 권장 충전 온도: 약 24°C.**

**참고:** 셀 온도가 10°C 미만이거나 40°C를 초과했을 때는 충전기가 배터리를 충전하지 않습니다.  
**배터리를 충전기에 남겨 두면 셀 온도가 증가하거나 냉각되면 충전기가 자동으로 충전을 시작합니다.**

- 충전기 (8) 의 플러그를 표준 230 볼트 50 Hz 콘센트에 꽂습니다.
- 그림 A와 같이 배터리 팩을 충전기에 밀어 넣습니다.
- 배터리가 충전 중임을 나타내는 녹색 LED (9) 가 깜박거립니다.
- 충전이 완료되면 녹색 LED 가 계속 켜져 있습니다. 팩이 완전히 충전되면 바로 사용하거나 충전기에 그대로 둡니다.

**경고!** 공구가 충전기에 연결되어 있을 때는 사용하지 마십시오.

**경고!** 화재 위험. 공구에서 충전기를 분리할 때, 먼저 콘센트에서 충전기의 플러그를 뺀 다음 공구에서 충전기 코드를 분리하십시오.

## 공구에 배터리 팩 장착 및 공구에서 배터리 팩 분리 (그림 B)

**경고!** 배터리를 장착하거나 제거할 때는 반드시 잠금 해제 버튼을 고정시켜 실수로 스위치가 작동되는 것을 방지해야 합니다. 배터리 팩 설치 방법:

- 찰칵 소리가 들릴 때까지 배터리 팩을 공구에 삽입합니다 (그림 B).

## 공구에서 배터리 팩 분리하기 (그림 C)

- (그림 C) 와 같이 배터리 탈착 버튼을 누른 채 공구에서 배터리 팩을 빼십시오.

## 작동 지침

### 방아쇠 스위치 및 후진 버튼 (그림 D)

- 방아쇠 스위치 (1) 를 당겼다 놓으면 드릴이 켜졌다 꺼집니다. 트리거를 강하게 당길수록 드릴 작동 속도는 높아집니다.
- 전진/후진 제어 버튼 (2) 은 공구 방향을 결정하며 잠금 해제 (lock-off) 버튼 역할도 합니다.
- 전진 회전을 선택하려면 방아쇠 스위치를 놓고 전진/후진 제어 버튼을 왼쪽으로 눌러줍니다.
- 후진을 선택하려면 전진/후진 제어 버튼을 반대 방향으로 눌러 줍니다.
- 공구를 잠그려면 전진/후진 슬라이더를 가운데로 설정합니다.

**참고!** 제어 버튼이 중앙에 있으면 공구가 꺼진 상태로 잠기게 됩니다. 제어 버튼의 위치를 변경할 때는 반드시 트리거를 놓아야 합니다.

### 토크 제어 (그림 E)

이 공구에는 토크 조절 칼라 (3) 가 장착되어 있어 작동 모드를 선택하고 토크를 설정해서 나사를 조일 수

있습니다. 대형 나사 및 경질 작업을 재료는 소형 나사 및 연성 작업물 재료보다 더 높은 토크 설정이 필요합니다.

- 드릴 작업 시에는 칼라를 드릴 위치 기호로 설정합니다.
- 나사를 조일 때는 칼라를 원하는 설정으로 지정합니다. 적절한 설정을 모를 경우에는 다음과 같이 진행하십시오.
  - 칼라를 최저 토크 설정으로 지정합니다.
  - 첫 번째 나사를 조입니다.
  - 원하는 결과를 얻기 전에 클러치가 단계적으로 올라가면 칼라 설정을 증가시키고 나사를 계속 조입니다. 올바른 설정이 될 때까지 반복합니다. 나머지 나사에 이 설정을 사용합니다.

## 키리스 척 (그림 F)

**경고!** 배터리를 장착하거나 제거하기 전에 반드시 잠금 해제 버튼을 고정시켜 실수로 스위치가 작동되는 것을 방지해야 합니다.

드릴 비트 또는 기타 액세서리를 삽입하려면 다음과 같이 조치합니다:

- 한 손으로 척 (10) 의 뒤쪽 절반을 잡고, 다른 손을 사용해서 척 끝에서 봤을 때 앞쪽 절반 (11) 을 시계 반대 방향으로 돌립니다.
- 비트 또는 다른 액세서리를 척에 완전히 끼우고, 척 끝에서 봤을 때 척의 뒤쪽 절반을 잡고 앞쪽 부분을 시계 방향으로 척을 돌려 단단히 조입니다.

**경고!** 척의 앞부분을 잡고 공구를 켜서 드릴 비트 (또는 기타 액세서리) 를 조이려고 시도하지 마십시오. 액세서리를 변경할 경우 척이 손상되거나 신체 부상이 발생할 수 있습니다.

## 드릴 작업/나사 조이기

- 전진/후진 슬라이더 (2) 를 사용하여 전진 또는 후진 회전을 선택합니다.
- 공구를 켜려면 스위치 (1) 를 누릅니다. 공구 속도는 스위치를 누르는 속도에 따라 다릅니다.
- 공구를 끄려면 스위치를 해제합니다.

## 최적의 사용법

### 드릴 작업

- 항상 드릴 비트에 직선으로 가벼운 압력을 가하십시오.
- 드릴 끝이 작업물의 다른 쪽 끝을 뚫고 나오기 전에 공구에 가하는 압력을 줄이십시오.
- 쪼개지기 쉬운 작업물을 지지하려면 나무 블록을 사용하십시오.
- 나무에 큰 자름의 구멍을 뚫을 때는 스페이드 비트를 사용하십시오.
- 금속의 드릴 작업 시에는 HSS 드릴 비트를 사용하십시오.
- 연성 석재의 드릴 작업 시에는 석재용 비트를 사용하십시오.

- 주철과 황동 이외의 금속 드릴 작업 시에는 윤활유를 사용하십시오.
- 정확도를 향상시키기 위해 드릴 작업을 하려면 구멍 가운데에서 중앙 펀치를 사용하여 톱니 모양으로 만드십시오.

### 나사 조이기

- 항상 올바른 유형과 크기의 드라이버 비트를 사용하십시오.
- 나사를 조이기 어려우면 소량의 액체 세제 또는 비누를 윤활유로 사용해 보십시오.
- 항상 공구와 드라이버 비트가 나사와 일직선이 되게 잡으십시오.

### 문제 해결

문제	가능한 원인	가능한 해결책
기기가 작동하지 않습니다.	배터리 팩이 충전되지 않았습니다.	배터리 팩 충전 요구 사항을 확인하십시오.
배터리 팩이 충전되지 않습니다.	충전기 전원 플러그를 꽂지 않았습니다.  주변 기온이 너무 뜨겁거나 차갑습니다.	충전기 전원 플러그를 콘센트에 꽂으십시오.  충전기와 공구를 섭씨 45도 (40도 F) 이상 또는 섭씨 +40.5°C (105도 F) 미만의 온도 환경으로 옮기십시오.
기기가 갑자기 꺼집니다.	배터리 팩이 최대 열 한계에 도달했습니다.  방전되었습니다. (배터리 팩의 수명을 극대화하기 위해 충전량이 급격히 감소하면 갑자기 꺼지도록 설계되어 있습니다)	배터리 팩을 식혀 주십시오.  충전기에 넣고 충전하십시오.

### 유지 보수

BLACK+DECKER 공구는 최소한의 유지 보수로 장기간에 걸쳐 작업이 가능하도록 설계되어 있습니다. 만족스러운 연속 작동은 적절한 청소기 관리와 정기적인 청소소에 따라 그 성능이 달라질 수 있습니다.

충전기는 정기적인 청소 이외에 유지 보수가 필요하지 않습니다.

**경고!** 공구를 유지 보수하려면 먼저 공구에서 배터리를 분리하십시오. 충전기를 청소하기 전에 충전기의 플러그를 뽑으십시오.

- 부드러운 브러시와 마른 헝겊으로 공구 및 충전기의 환기 슬롯을 주기적으로 청소하십시오.

- 젖은 헝겊으로 모터 하우징을 주기적으로 청소하십시오. 연마제 및 유성 클리너를 사용하지 마십시오.
- 척을 주기적으로 열고 가볍게 두드려 내부의 먼지를 털어내십시오.

### 환경 보호



분리 수거. 본 제품을 일반 가정용 쓰레기로 처리하면 안됩니다.

BLACK+DECKER 제품을 교체해야 하거나 더 이상 쓸모가 없어졌다고 판단되면 본 제품을 가정용 쓰레기로 처리하지 마십시오. 이 제품은 분리 수거하십시오.



사용하던 제품과 포장을 분리 수거하면 자원을 재활용 및 재사용할 수 있습니다. 재활용 자원을 이용하면 환경 오염이 방지되고 고철 자원에 대한 수요를 줄일 수 있습니다.

지역에 따라 가정용 가전제품을 분리 수거하는 규정이 마련되어 있거나 새로운 제품을 구입할 때 판매점에서 폐기 방법을 알려줄 수 있습니다.

BLACK+DECKER는 사용이 끝난 BLACK+DECKER 제품을 수집하여 재활용하기 위한 시설을 운영하고 있습니다. 이 서비스를 활용하려면 당사가 폐제품 수거를 위한 공인 수리 대리점에 제품을 반환해 주십시오.

본 사용 설명서에 기재된 연락처로 가까운 BLACK+DECKER 영업소에 연락하면 가까운 공인 수리 대리점 위치를 확인할 수 있습니다. 또는 다음 웹 사이트를 방문하여 공인 BLACK+DECKER 수리 지정점 목록과 A/S 및 연락처 등 자세한 정보를 찾아볼 수 있습니다 ([www.2helpU.com](http://www.2helpU.com)).

### 배터리



내부에 사용자가 수리할 수 있는 부품이 없습니다.

- 제품 수명이 다하면 배터리를 서비스 대리점이나 지역 재활용 센터로 가져가십시오. 기기를 가정용 쓰레기와 함께 버리지 마십시오.

### 서비스 정보

BLACK+DECKER 청소기는 가까운 동부 대우전자 서비스 센터 (구 대우일렉서비스센터, 1577-0933) 에서 받으실 수 있습니다. 모든 BLACK+DECKER 서비스 센터에는 교육을 이수한 전문 인원이 배치되어 있어 고객에게 효과적이고 믿을 수 있는 제품 서비스를 제공하고 있습니다.



