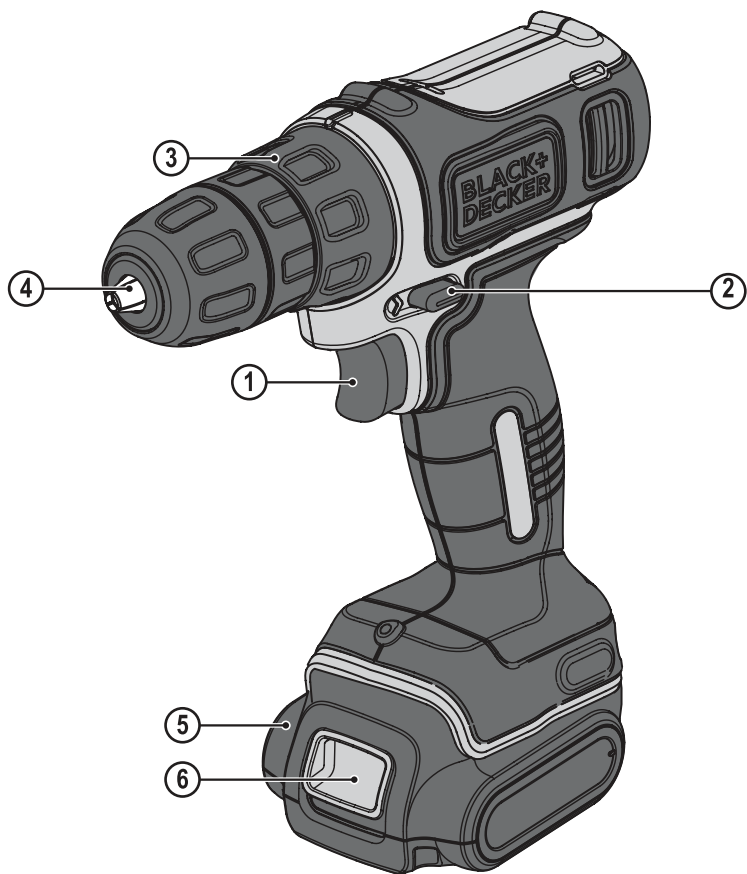


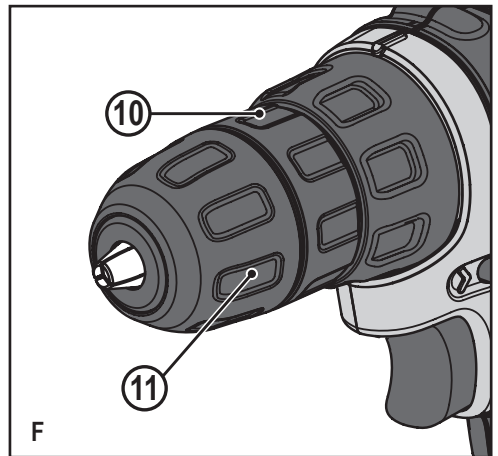
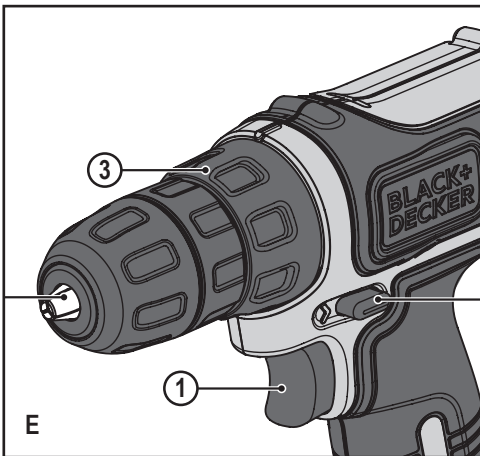
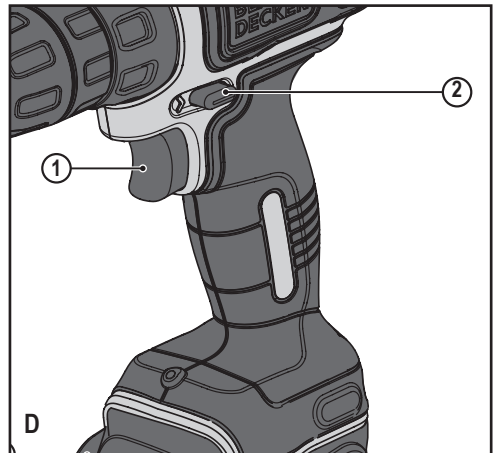
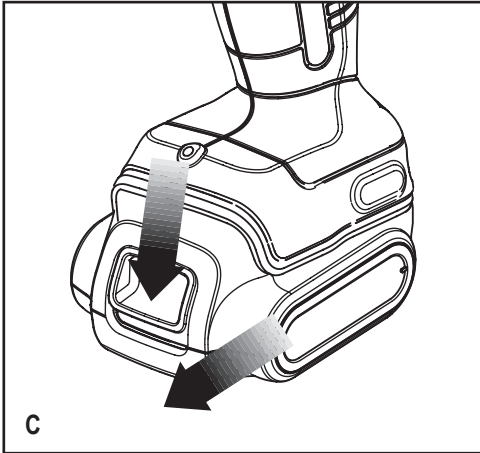
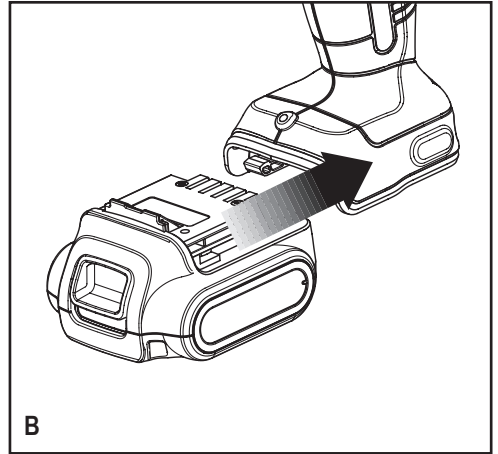
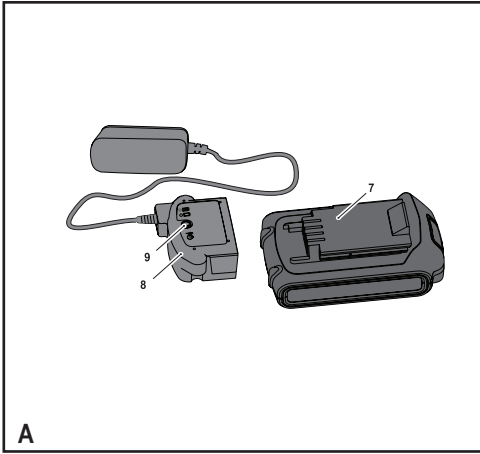
BLACK+ DECKER™



BDCDD12

English
简体中文

3
9



BDCDD12 DRILL DRIVER

Technical data

BDCDD12		
Voltage	V_{DC}	12
No-load speed	Min^{-1}	0-550rpm
Max. torque	Nm	12.5/26
Chuck capacity	mm	1-10
Max Drilling capacity		
Steel/wood	mm	10/25
Weight	kg	0.98
Charger		
Input voltage	V_{AC}	100-240
Output voltage	V_{DC}	8-20
Current	mA	400
Approx. charge time	Hours	3-5
Battery		
BL1512		
Voltage	V_{AC}	12
Capacity	Ah	1.5
Type		Li-Ion

Intended use

Your BLACK+DECKER BDCDD12 - Drill Driver, has been designed for screwdriving applications and for drilling in wood, metal and plastics. This tool is intended for consumer use only.

Safety instructions

General power tool safety warnings



Warning! Read all safety warnings and all instructions. Failure to follow the warnings and instructions listed below may result in electric shock, fire and/or serious injury.

Save all warnings and instructions for future reference.

The term "power tool" in all of the warnings listed below refers to your mains operated (corded) power tool or battery operated (cordless) power tool.

1. **Work area safety**
 - a. **Keep work area clean and well lit.** Cluttered or dark areas invite accidents.
 - b. **Do not operate power tools in explosive atmospheres, such as in the presence of flammable liquids, gases or dust.** Power tools create sparks which may ignite the dust or fumes.
 - c. **Keep children and bystanders away while operating a power tool.** Distractions can cause you to lose control.
2. **Electrical safety**
 - a. **Power tool plugs must match the outlet. Never modify the plug in any way. Do not use any adapter plugs with earthed (grounded) power tools.** Unmodified plugs and matching outlets will reduce risk of electric shock.
 - b. **Avoid body contact with earthed or grounded surfaces such as pipes, radiators, ranges and refrigerators.** There is an increased risk of electric shock if your body is earthed or grounded.
 - c. **Do not expose power tools to rain or wet conditions.** Water entering a power tool will increase the risk of electric shock.
 - d. **Do not abuse the cord. Never use the cord for carrying, pulling or unplugging the power tool. Keep cord away from heat, oil, sharp edges or moving parts.** Damaged or entangled cords increase the risk of electric shock.
 - e. **When operating a power tool outdoors, use an extension cord suitable for outdoor use.** Use of a cord suitable for outdoor use reduces the risk of electric shock.
 - f. **If operating a power tool in a damp location is unavoidable, use a residual current device (RCD) protected supply.** Use of an RCD reduces the risk of electric shock.
3. **Personal safety**
 - a. **Stay alert, watch what you are doing and use common sense when operating a power tool. Do not use a power tool while you are tired or under the influence of drugs, alcohol or medication.** A moment of inattention while operating power tools may result in serious personal injury.
 - b. **Use personal protective equipment. Always wear eye protection.** Protective equipment such as dust mask, non-skid safety shoes, hard hat, or hearing protection used for appropriate conditions will reduce personal injuries.
 - c. **Prevent unintentional starting. Ensure the switch is in the off-position before connecting to power source and/or battery pack, picking up or carrying the tool.** Carrying power tools with your finger on the switch or energising power tools that have the switch on invites accidents.

- d. **Remove any adjusting key or wrench before turning the power tool on.** A wrench or a key left attached to a rotating part of the power tool may result in personal injury.
 - e. **Do not overreach. Keep proper footing and balance at all times.** This enables better control of the power tool in unexpected situations.
 - f. **Dress properly. Do not wear loose clothing or jewellery. Keep your hair, clothing and gloves away from moving parts.** Loose clothes, jewellery or long hair can be caught in moving parts.
 - g. **If devices are provided for the connection of dust extraction and collection facilities, ensure these are connected and properly used.** Use of dust collection can reduce dust-related hazards.
4. **Power tool use and care**
 - a. **Do not force the power tool. Use the correct power tool for your application.** The correct power tool will do the job better and safer at the rate for which it was designed.
 - b. **Do not use the power tool if the switch does not turn it on and off.** Any power tool that cannot be controlled with the switch is dangerous and must be repaired.
 - c. **Disconnect the plug from the power source and/or the battery pack from the power tool before making any adjustments, changing accessories, or storing power tools.** Such preventive safety measures reduce the risk of starting the power tool accidentally.
 - d. **Store idle power tools out of the reach of children and do not allow persons unfamiliar with the power tool or these instructions to operate the power tool.** Power tools are dangerous in the hands of untrained users.
 - e. **Maintain power tools. Check for misalignment or binding of moving parts, breakage of parts and any other condition that may affect the power tools operation. If damaged, have the power tool repaired before use.** Many accidents are caused by poorly maintained power tools.
 - f. **Keep cutting tools sharp and clean.** Properly maintained cutting tools with sharp cutting edges are less likely to bind and are easier to control.
 - g. **Use the power tool, accessories and tool bits etc. in accordance with these instructions, taking into account the working conditions and the work to be performed.** Use of the power tool for operations different from those intended could result in a hazardous situation.
 5. **Battery tool use and care**
 - a. **Recharge only with the charger specified by the manufacturer.** A charger that is suitable for one type of battery pack may create a risk of fire when used with another battery pack.
 - b. **Use power tools only with specifically designated battery packs.** Use of any other battery packs may create a risk of injury and fire.
 - c. **When battery pack is not in use, keep it away from other metal objects, like paper clips, coins, keys, nails, screws, or other small metal objects, that can make a connection from one terminal to another.** Shorting the battery terminals together may cause burns or a fire.
 - d. **Under abusive conditions, liquid may be ejected from the battery; avoid contact. If contact accidentally occurs, flush with water. If liquid contacts eyes, additionally seek medical help.** Liquid ejected from the battery may cause irritation or burns.
 6. **Service**
 - a. **Have your power tool serviced by a qualified repair person using only identical replacement parts.** This will ensure that the safety of the power tool is maintained.

Additional power tool safety warnings



Warning! Additional safety warnings for drills

- ◆ **Use auxiliary handles supplied with the tool.** Loss of control can cause personal injury.
- ◆ **Hold power tool by insulated gripping surfaces when performing an operation where the cutting accessory may contact hidden wiring.** Cutting accessory contacting a "live" wire may make exposed metal parts of the power tool "live" and could give the operator an electric shock.
- ◆ **Use clamps or another practical way to secure and support the workpiece to a stable platform.** Holding the work by hand or against your body leaves it unstable and may lead to loss of control.
- ◆ **Before drilling into walls, floors or ceilings, check for the location of wiring and pipes.**
- ◆ **Avoid touching the tip of a drill bit just after drilling, as it may be hot.**
- ◆ **The intended use is described in this instruction manual.** The use of any accessory or attachment or performance of any operation with this tool other than those recommended in this instruction manual may present a risk of personal injury and/or damage to property.

Safety of others

- ◆ This tool is not intended for use by persons (including children) with reduced physical, sensory or mental capabilities, or lack of experience and knowledge, unless they have been given supervision or instruction concerning use of the tool by a person responsible for their safety.

- ◆ Children should be supervised to ensure that they do not play with the appliance.

Residual risks

Additional residual risks may arise when using the tool which may not be included in the enclosed safety warnings. These risks can arise from misuse, prolonged use etc.

Even with the application of the relevant safety regulations and the implementation of safety devices, certain residual risks can not be avoided. These include:

- ◆ Injuries caused by touching any rotating/moving parts.
- ◆ Injuries caused when changing any parts, blades or accessories.
- ◆ Injuries caused by prolonged use of a tool. When using any tool for prolonged periods ensure you take regular breaks.
- ◆ Impairment of hearing.
- ◆ Health hazards caused by breathing dust developed when using your tool (example:- working with wood, especially oak, beech and MDF.)

Labels on tool

The following symbols are shown on the tool along with the date code:



Warning! To reduce the risk of injury, the user must read the instruction manual.

Additional safety instructions for batteries and chargers

Batteries

- ◆ Never attempt to open for any reason.
- ◆ Do not expose the battery to water.
- ◆ Do not store in locations where the temperature may exceed 40 °C.
- ◆ Charge only at ambient temperatures between 10 °C and 40 °C.
- ◆ Charge only using the charger provided with the tool.
- ◆ When disposing of batteries, follow the instructions given in the section "Protecting the environment".



Do not attempt to charge damaged batteries.

Chargers

- ◆ Use your BLACK+DECKER charger only to charge the battery in the tool with which it was supplied. Other batteries could burst, causing personal injury and damage.
- ◆ Never attempt to charge non-rechargeable batteries.

- ◆ Have defective cords replaced immediately.
- ◆ Do not expose the charger to water.
- ◆ Do not open the charger.
- ◆ Do not probe the charger.



The charger is intended for indoor use only.



Read the instruction manual before use.

Electrical safety



Your charger is double insulated; therefore no earth wire is required. Always check that the mains voltage corresponds to the voltage on the rating plate. Never attempt to replace the charger unit with a regular mains plug.

- ◆ If the supply cord is damaged, it must be replaced by the manufacturer or an authorised BLACK+DECKER Service Centre in order to avoid a hazard.

Features

This tool includes some or all of the following features.

1. Variable speedswitch
2. Forward/reverse slider
3. Torque adjustment collar
4. Keyless chuck
5. Battery
6. Battery release button
7. Charger

Assembly

Use

Warning! Let the tool work at its own pace. Do not overload.

Charging the battery (fig. A)

The battery needs to be charged before first use and whenever it fails to produce sufficient power on jobs that were easily done before. The battery may become warm while charging; this is normal and does not indicate a problem.

Warning! Do not charge the battery at ambient temperatures below 10 °C or above 40 °C. Recommended charging temperature: approx. 24 °C.

Note: The charger will not charge a battery if the cell temperature is below approximately 10 °C or above 40 °C. The battery should be left in the charger and the charger will begin to charge automatically when the cell temperature warms up or cools down.

- ◆ Plug the charger (8) into any standard 230 Volts 50 Hz electrical outlet.
- ◆ Slide the battery into the charger as show in figure A.
- ◆ The green LED (9) will flash indicating that the battery is being charged
- ◆ The completion of charge is indicated by the green LED remaining on continuously. The pack is fully charged and may be used at this time or left on the charger.

Warning! Do not use tool while it is connected to the charger.

Warning! fire Hazard. When disconnecting the charger from the tool, be sure to unplug the charger from the outlet first, then disconnect the charger cord from the tool.

Installing and removing the battery pack from the tool (fig. B)

Warning! Make certain the lock-off button is engaged to prevent switch actuation before removing or installing battery. To install battery pack:

- ◆ Insert battery pack into tool, until an audible click is heard (fig. B)

Removing the battery pack from the tool (fig. C)

- ◆ Depress the battery release button as show in (fig. C) and pull battery pack out of tool.

Operating Instructions

Trigger switch & reversing button (fig. D)

- ◆ The drill is turned ON and OFF by pulling and releasing the trigger switch (1). The farther the trigger is depressed, the higher the speed of the drill operates at
- ◆ A forward/reverse control button (2) determines the direction of the tool and also serves as a lock off button.
- ◆ To select forward rotation, release the trigger switch and depress the forward/reverse control button to the left.
- ◆ To select reverse, depress the forward/ reverse control button the opposite direction.
- ◆ To lock the tool, set the forward/reverse slider into the centre position.

Note! The center position of the control button locks the tool in the off position. When changing the position of the control button, be sure the trigger is released.

Torque control (fig. E)

This tool is fitted with a torque adjustment collar (3) to select the operating mode and to set the torque for tightening screws. Large screws and hard workpiece materials require a higher torque setting than small screws and soft workpiece materials.

- ◆ For drilling, set the collar to the drilling position symbol 1
- ◆ For screwdriving, set the collar to the desired setting. If you do not yet know the appropriate setting, proceed as follows:
 - ◆ Set the collar to the lowest torque setting.
 - ◆ Tighten the first screw.
 - ◆ If the clutch ratchets before the desired result is achieved, increase the collar setting and continue tightening the screw. Repeat until you reach the correct setting. Use this setting for the remaining screws.

Keyless chuck (fig. F)

Warning! Make certain the lock-off button is engaged to prevent switch actuation before installing or removing accessories.

To insert a drill bit or other accessory:

- ◆ Grasp the rear half of the chuck (10) with one hand and use your other hand to rotate the front half (11) in the counterclockwise direction, as viewed from the chuck end.
- ◆ Insert the bit or other accessory fully into the chuck, and tighten securely by holding the rear half of the chuck and rotating the front portion in the clockwise direction as viewed from the chuck end.

Warning! Do not attempt to tighten drill bits (or any other accessory) by gripping the front part of the chuck and turning the tool on. Damage to the chuck and personal injury may occur when changing accessories.

Drilling/screwdriving

- ◆ Select forward or reverse rotation using the forward/reverse slider (2).
- ◆ To switch the tool on, press the switch (1). The tool speed depends on how far you press the switch.
- ◆ To switch the tool off, release the switch.

Hints for optimum use

Drilling

- ◆ U Always apply a light pressure in a straight line with the drill bit.
- ◆ Just before the drill tip breaks through the other side of the workpiece, decrease pressure on the tool.
- ◆ Use a block of wood to back up workpieces that may splinter.
- ◆ Use spade bits when drilling large diameter holes in wood.
- ◆ Use HSS drill bits when drilling in metal.
- ◆ Use masonry bits when drilling in soft masonry.
- ◆ Use a lubricant when drilling metals other than cast iron and brass.
- ◆ Make an indentation using a centre punch at the centre of the hole to be drilled in order to improve accuracy.

Screwdriving

- ◆ Always use the correct type and size of screwdriver bit.
- ◆ If screws are difficult to tighten, try applying a small amount of washing liquid or soap as a lubricant.
- ◆ Always hold the tool and screwdriver bit in a straight line with the screw

Troubleshooting

Problem	Possible cause	Possible solution
Unit will not start.	Battery pack not charged.	Check battery pack charging requirements
Battery pack will not charge.	Charger not plugged in. Surrounding air temperature too hot or too cold.	Plug charger into a working outlet. Move charger and battery pack to a surrounding air temperature of above 40 degrees F (45°C) or below 105 degrees F (+40.5°C)
Unit shuts off abruptly.	Battery pack has reached its maximum thermal limit. Out of charge. (To maximize the life of the battery pack it is designed to shut off abruptly when the charge is depleted)	Allow battery pack to cool down. Place on charger and allow to charge.

Maintenance

Your BLACK+DECKER tool has been designed to operate over a long period of time with a minimum of maintenance. Continuous satisfactory operation depends upon proper tool care and regular cleaning.

Your charger does not require any maintenance apart from regular cleaning.

Warning! Before performing any maintenance on the tool, remove the battery from the tool. Unplug the charger before cleaning it.

- ◆ Regularly clean the ventilation slots in your tool and charger using a soft brush or dry cloth.
- ◆ Regularly clean the motor housing using a damp cloth. Do not use any abrasive or solvent-based cleaner.
- ◆ Regularly open the chuck and tap it to remove any dust from the interior.

Protecting the environment.



Separate collection. This product must not be disposed of with normal household waste.

Should you find one day that your BLACK+DECKER product needs replacement, or if it is of no further use to you, do not dispose of it with household waste. Make this product available for separate collection.



Separate collection of used products and packaging allows materials to be recycled and used again.

Re-use of recycled materials helps prevent environmental pollution and reduces the demand for raw materials.

Local regulations may provide for separate collection of electrical products from the household, at municipal waste sites or by the retailer when you purchase a new product.

BLACK+DECKER provides a facility for the collection and recycling of BLACK+DECKER products once they have reached the end of their working life. To take advantage of this service please return your product to any authorised repair agent who will collect them on our behalf.

You can check the location of your nearest authorised repair address indicated in this manual. Alternatively, a list of authorised BLACK+DECKER repair agents and full details of our after-sales service and contacts are available on the Internet at: www.2helpU.com

Batteries



There are no user serviceable parts inside

- ◆ At the end of your products life return the whole unit to your service agent or to a local recycling station to have the battery recycled. Do not throw the unit out with household waste.

Service Information

BLACK+DECKER offers a full network of company-owned and authorized service locations throughout Asia. All BLACK+DECKER Service Centers are staffed with trained personnel to provide customers with efficient and reliable product service.

Whether you need technical advice, repair, or genuine factory replacement parts, contact the BLACK+DECKER location nearest to you.

NOTE

- ◆ BLACK+DECKER's policy is one of continuous improvement to our products and, as such, we reserve the right to change product specifications without prior notice.
- ◆ Standard equipment and accessories may vary by country.
- ◆ Product specifications may differ by country.
- ◆ Complete product range may not be available in all countries. Contact your local BLACK+DECKER dealers for range availability.

BDCDD12 电钻电起子

技术参数

BDCDD12		
电压	伏特 _{直流}	12
空载转速	转/分	0-550 转/分
最大扭矩	牛米	12.5/26
夹头尺寸	毫米	1-10
最大钻孔能力		
钢材/木材	毫米	10/25
重量	千克	0.98
充电器		
输入电压	伏特 _{交流}	100-240
输出电压	伏特 _{直流}	8-20
电流	毫安	400
大约充电时间	小时	3-5
电池		
电压	伏特 _{交流}	12
电池容量	安时	1.5
类别		锂离子

设计用途

您的 BLACK+DECKER BDCDD12 电钻电起子设计用于螺丝安装以及在木材、钢材和塑料上钻孔。本工具仅供消费者使用。

安全说明

电动工具通用安全警告



警告！ 阅读随电动工具提供的所有安全警告、说明、图示和规定。不遵照以下所列说明会导致电击、着火和/或严重伤害。

保存所有警告和说明书以备查阅。

警告中的术语“电动工具”指市电驱动（有线）电动工具或电池驱动（无线）电动工具。

a) 工作场地的安全

- 1) 保持工作场地清洁和明亮。杂乱和黑暗的场地会引发事故。

- 2) 不要在易爆环境，如有易燃液体、气体或粉尘的环境下操作电动工具。电动工具产生的火花会点燃粉尘或气体。
- 3) 操作电动工具时，远离儿童和旁观者。注意力不集中会使你失去对工具的控制。

b) 电气安全

- 1) 电动工具插头必须与插座相配。绝不能以任何方式改装插头。需接地的电动工具不能使用任何转换插头。未经改装的插头和相配的插座将降低电击风险。
- 2) 避免人体接触接地表面，如管道、散热片和冰箱。如果你身体接触接地表面会增加电击风险。
- 3) 不得将电动工具暴露在雨中或潮湿环境中。水进入电动工具将增加电击风险。
- 4) 不得滥用软线。绝不能用软线搬运、拉动电动工具或拔出其插头。使软线远离热源、油、锐边或运动部件。受损或缠绕的软线会增加电击风险。
- 5) 当在户外使用电动工具时，使用适合户外使用的延长线。适合户外使用的电线将降低电击风险。
- 6) 如果无法避免在潮湿环境下操作电动工具，应使用带有剩余电流装置（RCD）保护的电源。RCD的使用可降低电击风险。

c) 人身安全

- 1) 保持警觉，当操作电动工具时关注所从事的操作并保持清醒。当你感到疲倦，或在有药物、酒精或治疗反应时，不要操作电动工具。在操作电动工具时瞬间的疏忽会导致严重人身伤害。
- 2) 使用个人防护装置。始终佩戴护目镜。防护装置，诸如适当条件下使用防尘面具、防滑安全鞋、安全帽、听力防护等装置能减少人身伤害。
- 3) 防止意外起动。在连接电源和/或电池盒、拿起或搬运工具前确保开关处于关断位置。手指放在开关上搬运工具或开关处于接通时通电会导致危险。
- 4) 在电动工具接通之前，拿掉所有调节钥匙或扳手。遗留在电动工具旋转零件上的扳手或钥匙会导致人身伤害。
- 5) 手不要过分伸展。时刻注意立足点和身体平衡。这样能在意外情况下能更好地控制住电动工具。
- 6) 着装适当。不要穿宽松衣服或佩戴饰品。让你的头发和衣服远离运动部件。宽松衣服、佩饰或长发可能会卷入运动部件。
- 7) 如果提供了与排屑、集尘设备连接用的装置，要确保其连接完好且使用得当。使用集尘装置可降低尘屑引起的危险。
- 8) 不要因为频繁使用工具而产生的熟悉感而掉以轻心，忽视工具的安全准则。某个粗心的动作可能在瞬间导致严重的伤害。

d) 电动工具使用和注意事项

- 1) 不要勉强使用电动工具，根据用途使用合适的电动工具。选用合适的按照额定值设计的电动工具会使你工作更有效、更安全。
- 2) 如果开关不能接通或关断电源，则不能使用该电动工具。不能通过开关来控制的电动工具是危险的且必须进行修理。
- 3) 在进行任何调节、更换附件或贮存电动工具之前，必须从电源上拔掉插头和 / 或卸下电池包（如可拆卸）。这种防护性的安全措施降低了电动工具意外起动的风险。
- 4) 将闲置不用的电动工具贮存在儿童所及范围之外，并且不允许不熟悉电动工具和不了解这些说明的人操作电动工具。电动工具在未经培训的使用者手中是危险的。
- 5) 维护电动工具及其附件。检查运动部件是否调整到位或卡住，检查零件破损情况和影响电动工具运行的其他状况。如有损坏，应在使用前修理好电动工具。许多事故是由维护不良的电动工具引发的。
- 6) 保持切削刀具锋利和清洁。维护良好地有锋利切削刃的刀具不易卡住而且容易控制。
- 7) 按照使用说明书，并考虑作业条件和要进行的作业来选择电动工具、附件和工具的刀头等。将电动工具用于那些与其用途不符的操作可能会导致危险情况。
- 8) 保持手柄和握持表面干燥、清洁，不得沾有油脂。在意外的情况下，湿滑的手柄不能保证握持的安全和对工具的控制。

e) 电池式工具使用和注意事项：

- 1) 仅使用生产者规定的充电器充电。将适用于某种电池包的充电器用到其他电池包时可能会发生着火危险。
- 2) 仅使用配有专用电池包的电动工具。使用其他电池包可能会产生伤害和着火危险。
- 3) 当电池包不用时，将它远离其他金属物体，例如回形针、硬币、钥匙、钉子、螺钉或其他小金属物体，以防电池包一端与另一端连接。电池组端部短路会引起燃烧或着火。
- 4) 在滥用条件下，液体可能会从电池组中溅出，应避免接触。如果意外碰到液体，用水冲洗。如果液体碰到了眼睛，还要寻求医疗帮助。从电池中溅出的液体可能会发生腐蚀或燃烧。
- 5) 不要使用损坏或改装过的电池包或工具。损坏或改装过的电池组可能呈现无法预测的结果，导致着火、爆炸或伤害。
- 6) 不要将电池包暴露于火或者高温中。电池包暴露于火或高于 130 °C 的高温中可能导致爆炸。

f) 维修

- 1) 让专业维修人员使用相同的备件维修电动工具。这将保证所维修的电动工具的安全。
- 2) 决不能维修损坏的电池包。电池包仅能由生产者或其授权的维修服务商进行维修。

附加电动工具安全警告



警告！电钻附加安全警告

- ◆ 请使用工具随附的辅助手柄。操作失手会引起人身伤害。
- ◆ 若钻具在进行操作时可能会接触到隐藏的电线，请握住绝缘手柄表面。切割配件如果接触到“带电”导线，电动工具金属部件表面就会“带电”并使操作人员触电。
- ◆ 请使用夹具或采取其它可行的方法，把工件可靠地固定在稳定的平台上。手持或用身体顶住工件都是不稳定的，会导致操作失控。
- ◆ 在墙上、地板或天花板上钻孔之前，请检查电线和管道位置。
- ◆ 不要在钻孔后立刻碰触可能还带热的钻头尖端。
- ◆ 本使用手册描述了工具的设计用途。使用非本使用手册所建议的任何其他附件或配件，或者使用本工具执行非手册建议的任何其他操作，都可能存在人身伤害和/或财产损失的危险。

他人安全

- ◆ 本工具不适合体力、感觉或智力不足，或者缺乏经验及知识的人员（包括小孩）使用，除非负责他们安全的人员已经为他们提供关于使用此器具的监督或指示。
- ◆ 应看管好儿童，以确保他们不将此设备当做玩具来玩。

其他风险

使用工具时，可能出现本安全警示之外的其他剩余风险。这些风险可能来自使用不当、使用时间过长等。

尽管遵守了相关的安全法规并采用了安全装备，某些其他风险仍然是无法避免的。这些风险包括：

- ◆ 接触旋转/运动部件时所导致的伤害风险。
- ◆ 更换部件、锯片或配件时所导致的伤害风险。
- ◆ 长期使用工具所导致的伤害风险。长期使用任何工具时，均应定期休息。
- ◆ 听力损伤。
- ◆ 吸入工具使用过程中产生的粉尘导致的健康危害（例如，锯切木材，特别是橡木、山毛榉和中密度纤维板时）。

工具上的标签

工具上显示下列符号和日期码：



警告！为降低伤害风险，用户必须阅读使用手册。

电池和充电器的附加安全说明

电池

- ◆ 不论基于任何理由，都不要尝试打开电池。
- ◆ 请勿将电池暴露在水中。
- ◆ 不要将电池存放在温度可能超过 40 °C 的地方。
- ◆ 只在环境温度介于 10 °C 和 40 °C 之间的情况下充电。
- ◆ 只能使用本工具随附的充电器为电池充电。
- ◆ 处理电池时，请遵循“保护环境”部分所提供的说明进行。



不要尝试对损坏的电池充电。

充电器

- ◆ 只能使用工具随附的 BLACK+DECKER 充电器为工具内的电池充电。其他非原厂电池可能会爆裂，导致人身伤害和损害。
- ◆ 切勿尝试为不可再充电的电池充电。
- ◆ 应立即更换有缺陷的电线。
- ◆ 请勿将充电器暴露在水中。
- ◆ 请勿打开充电器。
- ◆ 请勿刺破充电器。



充电器仅供室内使用。



使用前请阅读使用手册。

电气安全



本充电器为双重绝缘，因此无需接地线。请务必检查电源电压是否与铭牌上的电压一致。切勿尝试使用一般的电源插头替换充电器。

- ◆ 如果电源线损坏，必须让制造商或授权的 BLACK+DECKER 服务中心更换以避免发生危险。

部件名称

本工具包含如下部分或全部部件。

1. 变速开关
2. 正/反转滑块
3. 扭矩调节轴环
4. 无锁匙夹头
5. 电池

6. 电池释放按钮
7. 充电器

组装

使用

警告！请让工具在自有速度下工作。请勿过载。

为电池充电（图 A）

电池在首次使用之前，以及无法像从前一样对工作轻松提供足够的电量时，都需要充电。电池在充电时可能会变热；这是正常现象，而且并不表示出现问题。

警告！请勿在环境温度低于 10 °C 或高于 40 °C 的情况下为电池充电。建议的充电温度：大约 24 °C。
注：若电池温度低于约 10 °C 或高于 40 °C，充电器将不会为电池充电。电池应留在充电器内，充电器会在电池温度升高或降低到合适温度时自动开始充电。

- ◆ 将充电器 (8) 插入标准的 230 伏 50 赫兹电源插座。
- ◆ 将电池插入充电器，如图 A 所示。
- ◆ 绿色 LED 灯 (9) 将会闪烁，表示电池正在充电。
- ◆ 绿色 LED 灯持续亮起表示充电完成。此时电池组已完全充电，您可以使用电池组或将电池组留在充电器中。

警告！工具连接至充电器时，请勿使用工具。

警告！火灾危险。断开充电器与工具的连接时，确保先从插座上拔下充电器插头，然后断开充电器电源线与工具的连接。

插入或取出工具上的电池组（图 B）

警告！安装或拆卸电池前，请确保锁定按钮已闭合以避免开关启动。安装电池组：

- ◆ 将电池组插入工具直到听到咔嚓声（图 B）

取出工具上的电池组（图 C）

- ◆ 如图 C 所示，按下电池释放按钮，然后从工具中拉出电池组。

操作说明


触发开关和反转按钮（图 D）

- ◆ 电钻通过按下和松开触发开关 (1) 开启和关闭。触发开关按得越深，钻孔速度就越快。
- ◆ 正/反转控制按钮 (2) 可确定工具方向，并可作为锁定按钮使用。
- ◆ 若要选择正向旋转，请松开触发开关，然后将正/反转控制按钮拨到左边。
- ◆ 要选择反向旋转，请向相反方向按下正/反转控制按钮。
- ◆ 如果要锁定工具，将正/反转滑块拨到中间位置。

注意！ 控制按钮的中心位置会将工具锁定在关闭位置。改变控制按钮的位置时，请确保触发开关处于松开状态。

扭矩控制 (图 E)

本工具配备用于选择操作模式以及设置扭矩以紧固螺钉的扭矩调节轴环 (3)。大螺丝和坚硬工件材料，比小螺丝和柔软工件材料需要更高的扭矩设置。

- ◆ 如需钻孔，可将轴环设置到钻孔位置符号处 
- ◆ 要执行螺旋操作，将轴环设置到所需设置。如果尚不知道相应设置，请执行下列操作：
 - ◆ 将轴环设置到最低的扭矩设置。
 - ◆ 拧紧第一个螺丝。
 - ◆ 如果离合器在达到所需结果之前松脱，请增加轴环设置并继续拧紧螺丝。重复直到设置正确为止。对其余螺丝使用此设置。

自紧式夹头 (图 F)

警告！ 安装或拆卸附件前，请确保锁定按钮已闭合以避免开关启动。

要插入钻头或其他附件：

- ◆ 以一只手握住夹头 (10) 的后半部并使用另一只手以逆时针方向（从夹头末端看）旋转前半部 (11)。
- ◆ 将钻头或其它配件完全插入夹头，握住夹头后半部并以顺时针方向（从夹头末端看）旋转前半部，如此便可牢固地将其拧紧。

警告！ 请勿尝试通过握住夹头前端并转动工具以拧紧钻头（或任何其他附件）。这可能会导致在更换附件时夹头受损和人身伤害。

钻孔/螺丝安装

- ◆ 使用正/反转滑块 (2)，选择向前或后旋转。
- ◆ 要打开工具电源，请按下开关 (1)。工具转速取决于按压开关的程度。
- ◆ 要关闭工具，请松开开关。

最佳使用提示

钻孔

- ◆ 始终应用与钻头方向成一直线的轻微力度。
- ◆ 在钻头快要刺破工件的另一面时，降低施加到工具上的力度。
- ◆ 用木块垫住可能会碎裂的工件。
- ◆ 在木材上进行大直径钻孔时，请使用扁钻头。
- ◆ 在金属上钻孔时，请使用 HSS 钻头。
- ◆ 在柔软的砖石上钻孔时，请使用砖石钻头。
- ◆ 在铸铁和黄铜材料以外的金属上钻孔时，请使用润滑剂。
- ◆ 在要钻开的洞孔中央使用中央冲孔来制造一个凹痕可改进精度。

螺丝安装

- ◆ 始终使用正确类型和尺寸的螺丝起子头。
- ◆ 如果螺钉难以转紧，请尝试用小量洗涤剂或肥皂作为润滑剂。
- ◆ 工具必须始终与螺丝起子头和螺钉成一直线。

故障排除

问题	可能原因	可能的解决方案
设备不启动。	电池组没有充电。	检查电池组是否需要充电。
电池组无法充电。	充电器未插电。 周围气温太高或太低。	将充电器插入正常工作的插座。 将充电器和电池组移至周围气温高于 40 °F (45°C) 或低于 105 °F (+40.5°C) 的地方。
装置突然关闭。	电池组已经达到最大热界限。 电池耗尽。(为了确保电池组的使用寿命最大化，装置会在电池耗尽时突然关闭。)	等待电池组冷却。 将电池组放在充电器上充电。

维护

BLACK+DECKER 工具设计精良，可以长期使用，仅需极少维护。要连续获得令人满意的工作效果，需要进行合适的工具维护和定期清洁。

除了定期清洁外，本充电器无需其他保养。

警告！ 对工具执行维护之前，请取出工具内的电池。清洁之前，先拔出充电器插头。

- ◆ 请使用软刷或干布定期清洁工具和充电器内的通风槽。
- ◆ 定期使用湿布清洁电动机外壳。请勿使用任何研磨性或溶剂型清洁剂。
- ◆ 定期打开夹头并轻敲以去除内部的任何粉尘。

保护环境。



分类回收。本产品不得与普通家庭垃圾一起处理。

如果您发现您的 BLACK+DECKER 产品需要进行替换，或您已经不再需要使用这些产品，请勿将它们与家庭废物一起处理。请将它们单独分类回收。



分类回收使用过的产品和包装能够让材料得以再循环和再利用。再生材料的再利用有助于防止环境污染，并降低对原材料的需求。

当地法规可能要求由市政废物处理点或向您出售新产品的零售商提供从家庭中分类回收电气产品的服务。

BLACK+DECKER 为结束使用期限的 BLACK+DECKER 产品提供了回收与再循环的设施。若要享受这项服务，请将产品送回任一授权维修代理处，他们将代表我们回收您的产品。

您可查询本手册中所载的离您最近的授权维修代理的地址。或者，您也可以通过网站获得授权的 BLACK+DECKER 维修代理列表以及我们售后服务与联络方式的完整详情，网址为：www.2helpU.com

电池



这些组件内没有可供用户维修的零件。

- ◆ 产品生命周期结束后，请将整个装置送到您的服务代理处或当地的回收站，以便回收电池。切勿将本设备与生活垃圾混合弃置。

服务信息

BLACK+DECKER 提供覆盖整个亚洲的公司隶属和授权服务地点。所有的 BLACK+DECKER 服务中心都具有训练有素的人员，为客户提供高效和可靠的产品服务。

不论您需要技术建议、维修或原厂替换部件，请联系最靠近您的 BLACK+DECKER 地点。

备注

- ◆ BLACK+DECKER 的政策是持续改进我们的产品，因此，我们保留随时更改产品规格的权利，恕不另行通知。
- ◆ 标准设备和附件可能会因国家（地区）而异。
- ◆ 不同国家（地区）的产品规格也可能会有所不同。
- ◆ 并非所有的国家（地区）都可提供完整的产品系列。有关各产品系列的供货情况，请联系您当地的 BLACK+DECKER 代理商。

制造商： 史丹利百得精密制造（深圳）有限公司
地址： 广东省深圳市宝安区石岩街道水田社区捷和工业城
产地： 中国深圳

