

**NEVER LEAVE THE HEATER UNATTENDED WHILE BURNING!**

*If you have questions or comments, contact us.*

***www.DEWALT.com***

**INSTRUCTION MANUAL**

**DEWALT**®

**LANGUAGES INCLUDED:** ENGLISH, GERMAN, FRENCH, ITALIAN,  
DUTCH, FINNISH, SWEDISH, NORWEGIAN, DANISH

**Gas Forced Air Heater DXP060E, DXP0125E**

**CE**

2531/20  
EN 1596:1998+A1:2004  
2531DL-0078

**SAVE THESE INSTRUCTIONS**

**⚠ WARNING: READ INSTRUCTIONS CAREFULLY:** Read and follow all instructions. Place instructions in a safe place for future reference. Do not allow anyone who has not read these instructions to assemble, adjust or operate the heater.

# NEVER LEAVE THE HEATER UNATTENDED WHILE BURNING!

## Definitions: Safety Guidelines

The definitions below describe the level of severity for each signal word. Please read the manual and pay attention to these symbols.

- ⚠ **DANGER:** Indicates an imminently hazardous situation which, if not avoided, **will** result in **death or serious injury**.
- ⚠ **WARNING:** Indicates a potentially hazardous situation which, if not avoided, **could** result in **death or serious injury**.
- ⚠ **CAUTION:** Indicates a potentially hazardous situation which, if not avoided, **may** result in **minor or moderate injury**.
- NOTICE:** Indicates a practice not related to personal injury which, if not avoided, **may** result in **property damage**.

⚠ **WARNING:** FIRE BURN, INHALATION, AND EXPLOSION HAZARD. KEEP SOLID COMBUSTIBLES, SUCH AS BUILDING MATERIALS, PAPER, OR CARDBOARD, A SAFE DISTANCE AWAY FROM THE HEATER AS RECOMMENDED BY THE INSTRUCTIONS. NEVER USE THE HEATER IN SPACES WHICH DO OR MAY CONTAIN VOLATILE OR AIRBORNE COMBUSTIBLES, OR PRODUCTS SUCH AS GASOLINE, SOLVENTS, PAINT THINNER, DUST PARTICLES OR UNKNOWN CHEMICALS.

### ⚠ **WARNING: GENERAL HAZARD**

FAILURE TO COMPLY WITH THE PRECAUTIONS AND INSTRUCTIONS PROVIDED WITH THIS HEATER, CAN RESULT IN DEATH, SERIOUS BODILY INJURY AND PROPERTY LOSS OR DAMAGE FROM HAZARDS OF FIRE, EXPLOSION, BURN, ASPHYXIATION, CARBON MONOXIDE POISONING, AND/OR ELECTRICAL SHOCK.

ONLY PERSONS WHO CAN UNDERSTAND AND FOLLOW THE INSTRUCTIONS SHOULD USE OR SERVICE THIS HEATER.

IF YOU NEED ASSISTANCE OR HEATER INFORMATION SUCH AS AN INSTRUCTIONS MANUAL, LABELS, ETC. CONTACT THE MANUFACTURER. SAVE THESE INSTRUCTIONS FOR FUTURE REFERENCE.

⚠ **WARNING:** THIS HEATER IS FOR OUTDOOR USE ONLY. AN AMPLY VENTILATED AREA MUST HAVE A MINIMUM OF 25% OF THE SURFACE AREA OPEN. THE SURFACE AREA IS THE SUM OF THE WALLS SURFACE.

⚠ **WARNING:** NOT TO BE USED FOR THE HEATING OF HABITABLE AREAS OF DOMESTIC PREMISES; FOR USE IN PUBLIC BUILDINGS REFER TO NATIONAL REGULATIONS.

This heater is constructed in conformity with relevant texts in the EN1596:1998/A1:2004 standard. INSTALL THIS DEVICE ONLY WHEN IT COMPLIES WITH LOCAL/NATIONAL LEGISLATION, ORDINANCES AND STANDARDS.

## CONTENTS

WARNINGS	2
HEATER SPECIFICATIONS	3
Odour FADE WARNINGS	4
SAFETY PRECAUTIONS	5
LIGHTING/OPERATING INSTRUCTIONS	6
MAINTENANCE	7
TROUBLESHOOTING	9
WIRING DIAGRAM	9
EXPLODED VIEW AND PARTS LIST	10
LIMITED WARRANTY	12

# NEVER LEAVE THE HEATER UNATTENDED WHILE BURNING!

## Heater Specifications

Model	DXPH060E		DXPH125E	
Gas Category	I3B/P	I3P	I3B/P	I3P
Gas Type	G30/G31 or their mixture	G31	G30/G31 or their mixture	G31
Gas Consumption (max.)	G30 1310 g/h    G31 1286 g/h	1286 g/h	G30 2547 g/h    G31 2501 g/h	2501 g/h
Destination Countries	GB, DE, FR, IT, NL, DK, SE, FI, NO	GB, DE, FR, IT, NL, DK, SE, FI, NO	GB, DE, FR, IT, NL, DK, SE, FI, NO	GB, DE, FR, IT, NL, DK, SE, FI, NO
Nominal Heat Input	18 kW		35 kW	
Input Pressure	1.5Bar			
Original Country	China			
Electrical Data	220 - 240V 50Hz 29W		220 - 240V 50Hz 44W	
PIN	2531DL-0078			
IP class	IPx4			
Gas Inlet connector	G 1/4 LH			

**NOTE:** The heat input of Model DXPH125E is adjustable from 20kW to 35kW.



# NEVER LEAVE THE HEATER UNATTENDED WHILE BURNING!



## WARNING

### Asphyxiation Hazard

- Do not use in unventilated areas
- The flow of combustion and ventilation air must not be obstructed
- Proper ventilation air must be provided to support the combustion air requirements of the heater being used.
- Refer to the specification section of the heater's manual, heater dataplate, or contact the factory to determine combustion air ventilation requirements of the heater.
- Lack of proper ventilation air will lead to improper combustion
- Improper combustion can lead to carbon monoxide poisoning leading to serious injury or death. Symptoms of carbon monoxide poisoning can include headaches, dizziness and difficulty in breathing.
- Use only in a well ventilated area and away from combustible materials.
- Ensure that the fan is operating correctly before lighting the burners.

### Fuel Gas Odour

LP gas and natural gas have man-made odourants added specifically for detection of fuel gas leaks. If a gas leak occurs you should be able to smell the fuel gas. Since Propane (LP) is heavier than air you should smell for the gas odour low to the floor. ANY GAS Odour IS YOUR SIGNAL TO GO INTO IMMEDIATE ACTION!

- Do not take any action that could ignite the fuel gas.
- Do not operate any electrical switches.
- Do not pull any power supply or extension cords.
- Do not light matches or any other source of flame.
- Do not use your telephone.
- Get everyone out of the building and away from the area immediately. Close all propane (LP) gas tank or cylinder fuel supply valves, or the main fuel supply valve located at the meter if you use natural gas.
- Propane (LP) gas is heavier than air and may settle in low areas. When you have

reason to suspect a propane leak, keep out of all low areas.

- Use a telephone remote from the area of the leak and call your fuel gas supplier and your fire department. Do not re-enter the building or area.
- Stay out of the building and away from the area until declared safe by the firefighters and your fuel gas supplier.
- FINALLY, let the fuel gas service person and the firefighters check for escaped gas. Have them air out the building and area before you return. Properly trained service people must repair any leaks, check for further leakages, and then relight the appliance for you.

### Odour Fading - No Odour Detected

- Some people cannot smell well. Some people cannot smell the odour of the man-made chemical added to propane (LP) or natural gas. You must determine if you can smell the odourant in these fuel gases.
- Learn to recognize the odour of propane (LP) gas and natural gas.
- Smoking can decrease your ability to smell. Being around an odour for a period of time can affect your sensitivity to that particular odour. Odours present in animal confinement buildings can mask fuel gas odour.
- **The odourant in propane (LP) gas and natural gas is colorless and the intensity of its odour can fade under some circumstances.**
- If there is an underground leak, the movement of gas through the soil can filter the odourant.
- Propane (LP) gas odour may differ in intensity at different levels. Since Propane (LP) gas is heavier than air, there may be more odour at lower levels.
- **Always be sensitive to the slightest gas odour.** If you continue to detect any gas odour, no matter how small, treat it as a serious leak. Immediately go into action as discussed previously.

### ATTENTION - Critical Points to Remember!

- Propane (LP) gas has a distinctive odour. Learn to recognize these odours. (Reference Fuel Gas Odour and Odour Fading sections on this same page)
- Even if you are not properly trained in the service and repair of the heater, ALWAYS be consciously aware of the odours of propane (LP) gas and natural gas.
- If you have not been properly trained in repair and service of propane (LP) gas then do not attempt to light heater, perform service or repairs, or make any adjustments to the heater on the propane (LP) gas fuel system.
- A periodic sniff test around the heater or at the heater's joints; i.e. hose, connections, etc., is a good safety practice under any conditions. If you smell even a small amount of gas, CONTACT YOUR FUEL GAS SUPPLIER IMMEDIATELY. DO NOT WAIT!

# NEVER LEAVE THE HEATER UNATTENDED WHILE BURNING!

## Safety Precautions

**THIS IS A HEATING APPLIANCE. DO NOT ATTEMPT TO WARM OR COOK FOOD ON THIS HEATER.**

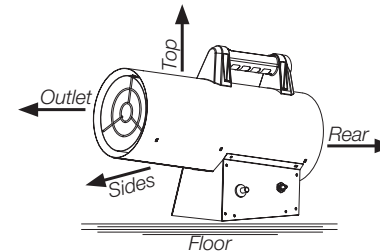
1. Check the heater thoroughly for damage. DO NOT operate a damaged heater.
2. DO NOT modify the heater or operate a heater which has been modified from its original condition.
3. Use only propane gas.
4. Use only VAPOR WITHDRAWAL propane supply. If there is any question about vapor withdrawal, ask your propane dealer.
5. Mount the propane cylinders vertically (shutoff valve up). Secure them from falling or being knocked over and protect them from damage.
6. This heater is for outdoor use only. An amply ventilated area must have a minimum of 25% of the surface area open. The surface area is the sum of the walls surface.
7. If at any time gas odour is detected, IMMEDIATELY DISCONTINUE operation until the source of gas has been located and corrected.
8. Maintain minimum clearance from normal combustible material per requirements stated in Figure 1.
9. Due to the high surface and exhaust temperatures, children and pets must be kept away from this appliance when in use.
10. Operate only on a stable, level surface.
11. Use only the electrical power specified. If the power cord is damaged, it shall be repaired by the manufacturer, its service agent or similarly qualified persons in order to avoid hazard.
12. Use only a properly grounded 3-prong receptacle or extension cord.
13. Do not move, handle or service while hot or burning.
14. Install this device and store gas cylinder in accordance with local/national legislation, ordinances and standards.
15. Do not cover the appliance when using.
16. Do not use the appliance without the front and rear guards in place. The guards are designed for protection.
17. In case of violent wind, particular attention must be taken against tilting of the appliance.
18. Have any repairs and/or maintenance carried out by a recognized service technician only.
19. This appliance is designed for using the 1.5bar gas regulator complying with the EN 16129 and relevant requirement. If you have any doubt, please contact your local dealer.

## Ventilation Requirements

- For every kW it is necessary to have permanent ventilation of 25 cm<sup>2</sup>, equally distributed between the floor and high level, with a minimum outlet of 250 cm<sup>2</sup>.
- Never direct the hot air flow towards the cylinder.
- Never use the heater without its cover.
- Do not exceed 100 W/m<sup>3</sup> of free room. The minimum volume of the room must be larger than 100 m<sup>3</sup>.
- The heater must be placed where there is no risk of fire. The hot air outlet must be at least 3.5m from any flammable wall or ceiling and must never be directed towards the gas cylinder. If in any doubt contact your supplier.
- Do not use duct work. Do not obstruct the inlet or outlet sections of the heater.
- Do not use the heater in cellars, basements or in any room below the ground level.
- If the heater has to work for a long period at its maximum capacity, it's possible that ice will form on the cylinder. This is due to excessive vapour withdrawal. Not for this reason, or for any other, should the cylinder be heated. To avoid this effect, or at least to reduce it, use a large cylinder or two cylinders linked together.
- **The manufacturer is not responsible for any harm or damage if attention is not paid to the points described above. The use of this product and the elements required for that purpose is entirely at the end user's own risk.**

**Figure 1: Minimum Clearances from combustible material**

From Outlet	From Sides	From Top	From Rear
3.5m	2m	2m	2.5m



# NEVER LEAVE THE HEATER UNATTENDED WHILE BURNING!

## Gas Requirements

- Use propane, butane or their mixture only. See rating label on the appliance.
- The appliance requires approved gas hose in <150 cm length and a gas regulator. The hose and regulator assembly must conform to local standard codes.
- Regulator maximum inlet pressure must not exceed 690 kPa.
- Gas connection .635 cm LH is to be used with 1.5Bar regulator. Gas connection .9525 cm LH is to be used with 0-2 bar regulator(when in need).
- This appliance is designed for gas cylinders up to 15 kg.
- A dented, rusted or damaged gas cylinder may be hazardous and should be checked by an authorized dedicated gas specialist. Never use a gas cylinder with a damaged valve connection.
- Never connect an unregulated gas cylinder to the heater.
- Never twist the flexible tubes and hoses. Torsional stress on tubes and hoses might lead to gas leakage over time.
- The installation of the gas cylinder must conform to local codes, or in the absence of local codes, to the standard for the storage and handling of liquid petroleum gases.
- Disconnect the gas cylinder when the heater is not use.
- Isolate the appliance from the cylinder by means of the cylinder isolating valve when not in operation.

## Leak Testing

Gas connections on the heater are leak tested at the factory prior to shipment. A complete gas tightness check must be performed at the installation site due to possible mishandling in shipment and/or installation or because of excessive pressure being applied to the heater. The heater must be checked with a full cylinder.

1. Make sure the safety control valve is in the OFF position.
2. Make a soapy water solution of one part liquid detergent and one part water. The soapy water solution can be applied with a spray bottle, brush or rag to all gas connections.

**⚠WARNING:** Never leak test while smoking! In the event of gas leakage, the appliance must not be used or if still lit, the gas supply must be shut off and the leakage repaired before it can be used again.

3. Turn the gas supply ON. And check all the connections with the soapy water solution. Soap bubbles will appear in case of a leak.
4. In case of a leak, turn off the gas supply. Tighten any leaking fittings, then turn the gas supply ON and recheck. Contact your dealer or gas supplier for assistance if bubbles continue to appear.

## Lighting/Operating Instructions

### Preparation for Operation

1. Remove the heater from the box and check for possible shipping damage. If any is found, immediately notify the factory.
2. Open the handle and screw plastic bag.
3. Secure the handle to the heater with the four screws provided through the four holes at the top of the unit. See Figure 2.  
**NOTE:** A gas hose and gas regulator are NOT included with the heater.
4. Connect the gas supply hose to the pressure regulator and connect the regulator to a suitable gas cylinder.
5. Connect the hose to the gas connector on the heater by rotating the hose fitting clockwise.
6. Open the cylinder's gas valve and check all gas connections with a soap and water solution as described above.
7. Connect power cord to well-grounded 220V~240V, 50Hz source of power.

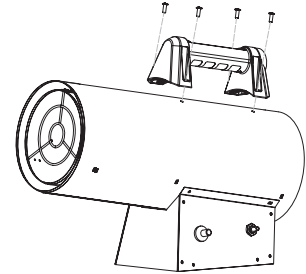
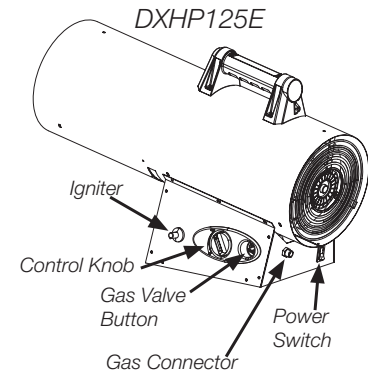
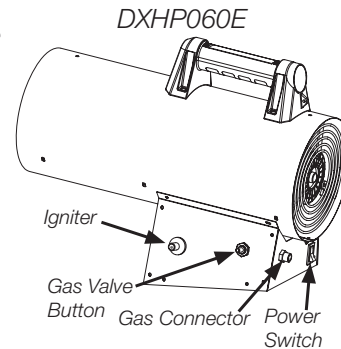


Figure 2



# NEVER LEAVE THE HEATER UNATTENDED WHILE BURNING!

## Starting Heater

1. Turn the power switch to the ON (I) position to start the fan.  
**NOTE:** Before heater ignition, always allow heater fan (blower) to run for 20 seconds to purge fuel.
2. Slowly open the main valve at propane cylinder.
3. Push the gas valve button and push the ignitor (piezoelectric lighter) repeatedly until the flame lights up.
4. After the heater lights, keep the valve button pushed for approximately 10 seconds. Should the heater stop when the valve button has been released, wait one minute and repeat the starting operation, keeping the valve button pushed for a longer time.
5. On the DXPH125E model only, rotate the control knob to the lowest setting. After the heater lights, you may adjust the burn rate by setting the control knob to desired level.

**NOTE:** Contact your supplier should any problem continue.

**⚠CAUTION:** If ignition is difficult or irregular before repeating the starting steps, make sure that the fan is not locked and the air inlet and outlet are unobstructed.

## Stopping Heater

1. Securely close valve on the propane cylinder.
2. Continue to operate heater until all fuel in the hose has burned then turn power switch to the OFF (O) position.
3. Unplug the power cord.

**⚠CAUTION:** Always shut off fuel supply:

- Before disconnecting electrical power
- Before moving the appliance
- After each use

## RESTART AFTER SAFETY SHUTDOWN

1. Securely close valve at propane cylinder. Unplug power cord.
2. Wait 5 minutes.
3. Restart following "START" procedure.

**NOTE:** If a new tank has just been connected, please allow at least one minute or more for the air in the gas pipeline to purge out through the pilot hole.

**⚠WARNING:** Always keep a dry chemical fire extinguisher readily available.

## FAN OPERATION

1. The appliance may also be used as a fan.
2. In this case remove the gas supply hose and connect the plug of heater to a suitable electrical supply.
3. Set the power switch to the ON (I) position.

## REPLACING THE GAS CYLINDER

1. Shut off the heater.
2. Close the valve of the gas cylinder.
3. Disconnect the regulator from the cylinder following the instructions that came with your regulator.
4. Replace the cylinder.

**⚠WARNING:** Only remove the plug or seal cap from the cylinder valve and change the gas cylinder in a amply ventilated area, away from any ignition source (candle, cigaretttes, and other flame producing appliances).

5. Check for the presence and good state of the gasket before connecting the regulator to the new cylinder.
6. Check that the regulator seal is correctly fitted and able to fulfil its function.
7. Perform leak test using soapy water solution.

## Maintenance

- The heater should be inspected before each use, and at least annually, only by a qualified person. Before starting any maintenance operation on the heater, disconnect from both gas and electrical sources.

**⚠WARNING:** The whole gas system. hose, regulator, pilot and burner should be inspected for leak before use. But at least once a month and each time the gas cylinder is changed. Check the hose assembly for sign of extreme abrasion, cuts or wears. Suspected areas should be leak tested. If the hose leaks, it must be replaced with a new one that conforms to local standard codes). If it shows signs of cracking, splitting or other deterioration it shall be exchanged for new hose of the same length and of the equivalent quality. Replace the gas tube/hose within the interval described with the hose.

If the unit has not been used for a long period we advise that a technician carries out a general check up before using. It is important to perform the following:

1. Periodically check the gas supply hose conditions and, should it be changed, use only original spare parts.
2. Check the connections of the safety thermostat and of the thermocouple: they must always be clean. If necessary clean the fan blade and the inside of the heater using compressed air.

# NEVER LEAVE THE HEATER UNATTENDED WHILE BURNING!

## Servicing

A hazardous condition may result if a heater is used that has been modified or is not functioning properly. When the heater is working properly:

- \* The flame is contained within the heater.
- \* The flame is essentially blue with perhaps some yellow tipping.
- \* There is no strong disagreeable odour, eye burning or other physical discomfort.
- \* There is no smoke or soot internal or external to the heater.
- \* There are no unplanned or unexplained shut downs of the heater.

The parts lists and exploded view show the heater as it was constructed. Do not use a heater which is different from that shown. In this regard, use only the hose, regulator and cylinder connection fitting (called a POL fitting) supplied with the heater. **IMPORTANT** Match the color stripe on the hang tag attached to the hose assembly with the color on the label located near the propane inlet fitting on the heater. Do not use alternates. For this heater, the regulator comes factory set as shown in "specifications". If there is any uncertainty about the regulator setting, have it checked.

A heater which is not working right must be repaired, but only by a trained, experienced service person.

In-warranty products will be repaired with no charge for either parts or labor. Please include a brief statement indicating date, place of purchase, the nature of the problem and proof of purchase.

Out-of-warranty products will be repaired with a charge for parts and labor.

## Storage

- Make sure the heater is in off position.
- Turn off the gas at the LP-gas supply cylinder(s) when the heater is not in use.
- Disconnect the gas container from the gas heater.
- Store the gas container in a cool, dry, dark and well-ventilated room. A disconnected cylinder must have threaded valve plugs tightly installed. Position it far away from inflammable, explosive or hot materials and preferably not in the home. In addition it should never be stored in the basement or attic.
- Cylinder must be stored out of the reach of children.
- Do not store or use gasoline or other flammable vapors and liquids in the vicinity of this or any other appliance.
- When the heater is to be stored indoors, the connection between the LP-gas supply cylinder(s) and the heater must be disconnected and the cylinder(s) removed from the heater and stored out of doors.
- Check the tightness of the gas valve and for damage. If you suspect a damage, have it changed by your gas dealer.

## Cleaning and Care

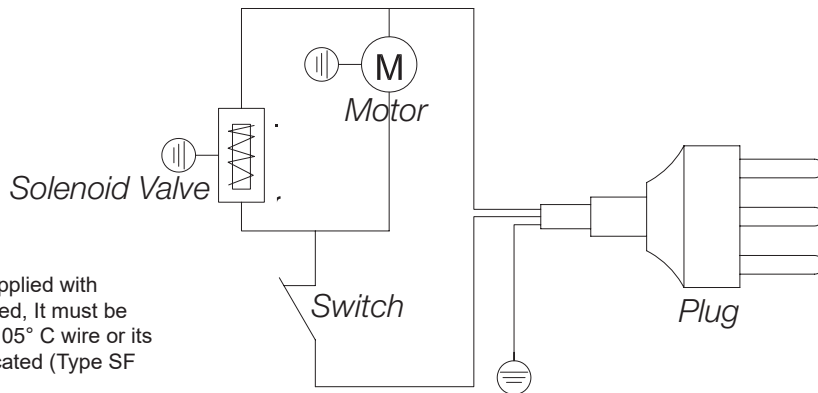
**⚠WARNING:** Make sure the heater is in off position and is cool. Do not clean heater with cleaners that are combustible or corrosive.

- Wipe off powder coated surfaces with soft, moist rag and soap water.
- Remove debris and spider and insect nests from ventilation opening of the cylinder enclosure, control compartment, burner and circulation air passageways of the heater with heavy duty pipe cleaner or compressed air to keep appliance clean and safe for use.
- Never clear ports or other openings with toothpicks or other article that will break and block the ports.



PROBLEM	CAUSE	SOLUTIONS
The motor does not work	No electricity supply	Check the terminal board with a tester
The motor works, but the burner does not light up and after few seconds the heater stops	The cylinder gas tap is closed	Open the gas tap
	The cylinder is empty	Use a new cylinder
	The nozzle is obstructed	Remove the nozzle and clean it
	The solenoid gas valve is not open	Check that the solenoid valve works
	There is no spark	Check the position of electrode
The burner lights up, but after few seconds the heater stops	Heater not properly grounded	Check and connect properly
	Defective connection between sensor and safety device	Check and connect properly
	Defective safety device	Replace the safety device
The heater stops during operation	Excessive gas supply	Check the pressure reducer and if required replace it
	Insufficient air flow	Check that the motor works properly
	Insufficient gas supply due to ice formation on the cylinder	Check and use a larger cylinder or two cylinders connected together

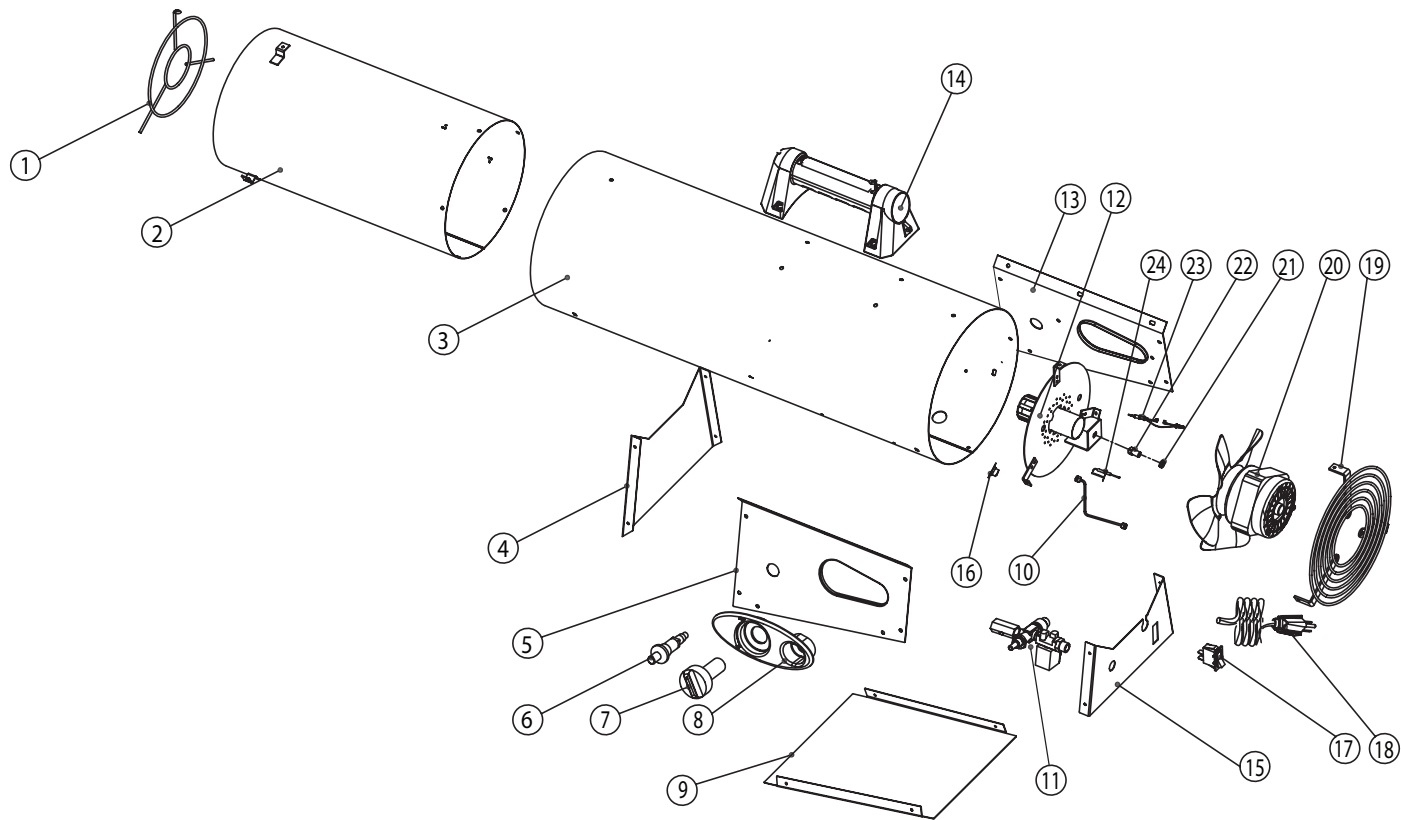
**WIRING DIAGRAM**



If any original wiring as supplied with the heater, must be replaced, It must be replaced with Type AWG 105° C wire or its equivalent, except as indicated (Type SF 2.200, \*\*SGI-250° C)

**NEVER LEAVE THE HEATER UNATTENDED WHILE BURNING!**

English



# NEVER LEAVE THE HEATER UNATTENDED WHILE BURNING!

## DXPH060E & DXPH125E REPLACEMENT PARTS LIST

#	60K	125K	Description	Qty	#	60K	125K	Description	Qty
1	20989	20978	Outlet Retainer	1	14	40801	40801	Handle	1
2	20954	20979	Combustion Chamber	1	15	20962	20985	Base Rear Panel	1
3	20914	20925	Outer Barrel	1	16	20976	20975	High Limit Switch	1
4	20955	20980	Base Front Panel	1	17	20964	20964	Switch	1
5	20956	20981	Base Left Panel (DXPH125E Shown)	1	18	20965	20965	Electric Supply Cord (J-Type)	1
6	20957	20957	Igniter	1		20966	20966	Electric Supply Cord (F-Type)	1
7	N/A	20982	Control Knob	1		20967	20967	Electric Supply Cord (G-Type)	1
8	N/A	20983	Decorative Panel	1	19	20968	20986	Inlet Retainer	1
9	20920	20931	Base Bottom Panel	1	20	20969	20987	Fan Motor	1
10	20977	20958	Burner Supply Tube	1	21	20970	20970	Orifice Nut	1
11	20959	20984	Valve Assembly	1	22	20971	20988	Orifice	1
12	20974	20963	Burner Assembly	1	23	20972	20972	Thermocouple	1
13	20916	20927	Base Right Panel (DXPH125E Shown)	1	24	20973	20973	Igniter Electrode	1

English

**NEVER LEAVE THE HEATER UNATTENDED WHILE BURNING!**

English

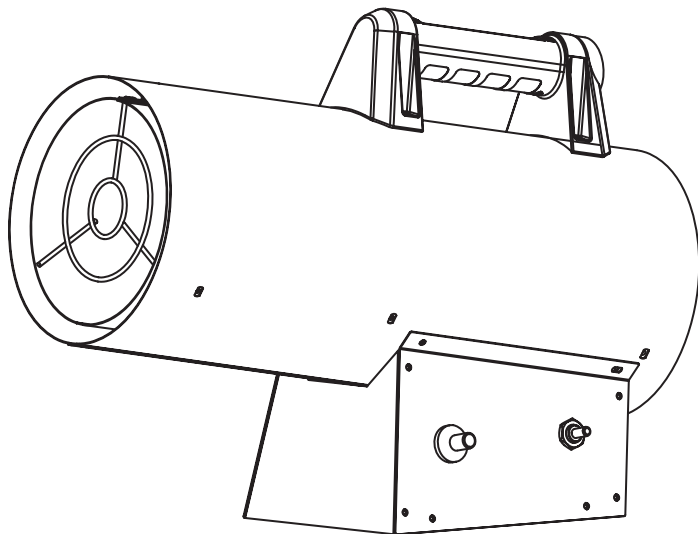
# DEWALT®

## INSTRUCTION MANUAL

**GAS FORCED AIR HEATER**

**DXPH060E**

**DXPH125E**



### **Warning**

USE ONLY MANUFACTURER'S REPLACEMENT PARTS. USE OF ANY OTHER PARTS COULD CAUSE INJURY OR DEATH. REPLACEMENT PARTS ARE ONLY AVAILABLE DIRECT FROM THE FACTORY AND MUST BE INSTALLED BY A QUALIFIED SERVICE AGENCY.

### **PARTS ORDERING INFORMATION:**

*PURCHASING: Accessories may be purchased at any DEWALT® local dealer or direct from the factory.*

### **FOR INFORMATION REGARDING SERVICE:**

www.DEWALT.com

www.2helpU.com

Please include the model number, date of purchase, and description of problem in all communication.

### **LIMITED WARRANTY**

*DeWalt® warrants its heaters and accessories to be free from defects in material and workmanship for a period of 2 years from date of purchase.*

*DeWalt® will repair or replace this product free of charge if it has been proven to be defective within the 2 year period, and is returned at customer expense with proof of purchase to DeWalt® within the warranty period.*

For Sale in the following countries:



GB



DE



FR



IT



NL



DK



SE



FI



NO

DeWALT®, GUARANTEED TOUGH® and the yellow and black color scheme are trademarks of the DeWALT Industrial Tool Co., used under license. ©2020 DeWALT. EGI/Enerco Group Inc. Under license from DeWALT Industrial Tool Co



2531/20  
EN 1596:1998+A1:2004  
2531DL-0078

**LASSEN SIE DAS HEIZGERÄT NIEMALS UNBEAUF SICHTIGT WÄHREND ES IN BETRIEB IST!**

*Kontaktieren Sie uns bitte, falls Sie Fragen oder Anmerkungen haben*

***www.DEWALT.com***

## BEDIENUNGSANLEITUNG

# DEWALT®

**INBEGRIFFENE SPRACHEN:** ENGLISCH, DEUTSCH,  
FRANZÖSISCH, ITALIENISCH, HOLLÄNDISCH, FINNISCH,  
SCHWEDISCH, NORWEGISCH, DÄNISCH

**CE**

2531/20  
EN 1596:1998+A1:2004  
2531DL-0078

**GASKRAFTLUFTHEIZUNG DXPH060E, DXPH125E**

**BEWAHREN SIE DIESE ANWEISUNGEN BITTE AUF**

**WARNUNG: LESEN SIE DIE ANWEISUNGEN SORGFÄLTIG DURCH:** Lesen und beachten Sie alle Anweisungen. Bewahren Sie die Anweisungen zum Nachschlagen an einem sicheren Ort auf. Erlauben Sie keinem, der diese Anweisungen nicht gelesen hat, das Heizgerät zu installieren, einzustellen oder zu betreiben.

# LASSEN SIE DAS HEIZGERÄT NIEMALS UNBEAUF SICHTIGT WÄHREND ES IN BETRIEB IST!

## Definitionen: Sicherheitsrichtlinien

Die nachstehenden Definitionen beschreiben den Schweregrad für jedes Signalwort. Lesen Sie bitte das Handbuch gut durch, und achten Sie auf diese Symbole.

**⚠ GEFÄHR:** Deutet auf eine unmittelbar bevorstehende gefährliche Situation hin, die, wenn nicht vermieden, zu **Tod** oder **zu schweren Verletzungen führen** kann.

**⚠ WARNUNG:** Deutet auf eine potenziell gefährliche Situation hin, die, wenn nicht vermieden, möglicherweise zu **Tod** oder **zu schweren Verletzungen führen** kann.

**⚠ VORSICHT:** Deutet auf eine potentiell gefährliche Situation hin, die, wenn nicht vermieden, zu leichten oder **mittelschweren Verletzungen führen** kann.

**ANMERKUNG:** Deutet auf eine nicht auf Personenschaden bezogene Vorgehensweise hin, die, wenn nicht vermieden, **zu Sachschäden führen** kann.

**⚠ WARNUNG:** BRAND-, INHALATIONS- UND EXPLOSIONSGEFAHR. BEWAHREN SIE BAUMATERIALIEN, PAPIER ODER PAPPE IN SICHERER ENTFERNUNG VOM HEIZGERÄT AUF, WIE IN DEN ANWEISUNGEN EMPFOHLEN. VERWENDEN SIE DAS HEIZGERÄT NIEMALS IN RÄUMEN, DIE FLÜCHTIGE ODER LUFTGETRAGENE, BRENNBARE STOFFE ODER PRODUKTE, WIE BENZIN, LÖSUNGSMITTEL, FARBVERDÜNNER, STAUBPARTIKEL ODER UNBEKANNTE CHEMIKALIEN ENTHALTEN KÖNNTEN.

### ⚠ WARNUNG: ALLGEMEINE GEFAHR

NICHTBEACHTUNG DER VORSICHTSMASSNAHMEN UND ANWEISUNGEN, DIE MIT DIESEM HEIZGERÄT GELIEFERT WERDEN, KANN ZU TOD, SCHWEREN KÖRPERVERLETZUNGEN UND SACHSCHVERLUST ODER SCHADEN DURCH BRANDGEFAHR, EXPLOSIONEN, VERBRENNUNGEN, ERSTICKUNG, KOHLENMONOXIDVERGIFTUNG, UND / ODER STROMSCHLAGGEFAHR FÜHREN.

DIESES HEIZGERÄT SOLLTE NUR VON PERSONEN, DIE DIE ANWEISUNGEN VERSTEHEN UND BEFOLGEN KÖNNEN, BEDIENT ODER GEWARTET WERDEN.

FALLS SIE HILFE ODER INFORMATIONEN BEZÜGLICH DES HEIZGERÄTS BRAUCHEN, WIE Z. B. EINE BEDIENUNGSANLEITUNG, AUFKLEBER USW., WENDEN SIE SICH BITTE AN DEN HERSTELLER. BEWAHREN SIE DIESE ANWEISUNGEN FÜR SPÄTERES NACHSCHLAGEN AUF.

**⚠ WARNUNG:** DIESES HEIZGERÄT IST NUR FÜR DEN BETRIEB IM FREIEN BESTIMMT. BEI EINEM AUSREICHEND BELÜFTETEN ARBEITSBEREICH, MÜSSEN MINDESTENS 25% DES FLÄCHENBEREICHS OFFEN SEIN. DER FLÄCHENBEREICH BESTEHT AUS DER SUMME DER WANDFLÄCHEN.

**⚠ WARNUNG:** DARF NICHT ZUM BEHEIZEN VON WOHNRÄUMEN ODER WOHNGEBÄUDEN VERWENDET WERDEN; FÜR DIE VERWENDUNG IN ÖFFENTLICHEN GEBÄUDEN MÜSSEN DIE NATIONALEN BESTIMMUNGEN BEFOLGT WERDEN.

Dieses Heizgerät ist in Konformität mit den entsprechenden Texten des EN1596:1998/A1:2004-Standards hergestellt. INSTALLIEREN SIE DIESES GERÄT NUR, WENN ES DEN ÖRTLICHEN / NATIONALEN GESETZEN, VERORDNUNGEN UND NORMEN ENTSPRICHT.

## CONTENTS

WARNUNGSHINWEISE	2
HEIZGERÄT-SPEZIFIKATIONEN	3
GERUCHSVERLUST-WARNMELDUNGEN	4
SICHERHEITSVORKEHRUNGEN	5
ZÜND- / BEDIENUNGSANWEISUNGEN	6
WARTUNG UND LAGERUNG	7
FEHLERSUCHE	9
SCHALTPLAN	9
EXPLOSIONSZEICHNUNG UND ERSATZTEILLISTE	10
BESCHRÄNKTE GARANTIE	12

**LASSEN SIE DAS HEIZGERÄT NIEMALS UNBEAUF SICHTIGT WÄHREND ES IN BETRIEB IST!**

**Heizgerät-Spezifikationen**

<i>Modell</i>	<i>DXPH060E</i>		<i>DXPH125E</i>	
<i>Gas-Kategorie</i>	<i>I3B/P</i>		<i>I3P</i>	<i>I3P</i>
<i>Gas-Typ</i>	<i>G30/G31 oder deren Gemisch</i>		<i>oder deren Gemisch</i>	<i>G31</i>
<i>Gasverbrauch (max.)</i>	<i>G30 1310 g/h</i>	<i>G31 1286 g/h</i>	<i>1286 g/h</i>	<i>G30 2547 g/h</i> <i>G31 2501 g/h</i> <i>2501 g/h</i>
<i>Bestimmungsländer</i>	<i>GB, DE, FR, IT, NL, DK, SE, FI, NO</i>	<i>GB, DE, FR, IT, NL, DK, SE, FI, NO</i>	<i>GB, DE, FR, IT, NL, DK, SE, FI, NO</i>	<i>GB, DE, FR, IT, NL, DK, SE, FI, NO</i>
<i>Nennwärmeeintrag</i>	<i>18 kW</i>		<i>35 kW</i>	
<i>Eingangsdruck</i>	<i>1,5Bar</i>			
<i>Bestimmungsland</i>	<i>China</i>			
<i>Elektrische Daten</i>	<i>220 - 240V 50Hz 29W</i>		<i>220 - 240V 50Hz 44W</i>	
<i>PIN</i>	<i>2531DL-0078</i>			
<i>IP-Klasse</i>	<i>IPx4</i>			
<i>Gaseingangsanschluss</i>	<i>G 1/4 LH</i>			

**ANMERKUNG** Der Nennwärmeeintrag von Modell DXPH125E kann auf 20 kW bis zu 35 kW eingestellt werden.



Deutsch

# LASSEN SIE DAS HEIZGERÄT NIEMALS UNBEAUF SICHTIGT WÄHREND ES IN BETRIEB IST!

## WARNUNG

### ⚠ Erstickungsgefahr

- Nicht in ungelüfteten Bereichen verwenden
- Die Zirkulation der Verbrennungs- und Ventilationsluft darf nicht beeinträchtigt werden
- Um den Verbrennungsluftbedarf des verwendeten Heizgeräts sicherzustellen, muss für ausreichende Belüftung gesorgt werden.
- Verweisen Sie auf den Spezifikations-Abschnitt im Heizgerät-Handbuch, das Datenschild des Geräts oder wenden Sie sich an den Hersteller, um die Belüftungserfordernisse des Heizgeräts zu erfragen.
- Ein Mangel an ausreichender Ventilationsluft führt zu unsachgemäßer Verbrennung
- Unsachgemäße Verbrennung kann eine Kohlenmonoxidvergiftung hervorrufen, die zu schweren Verletzungen oder Tod führen kann. Symptome einer Kohlenmonoxidvergiftung können sich in Kopfschmerzen, Schwindel und Atembeschwerden äußern.
- Nur in gut belüfteten Räumen und außerhalb von brennbaren Stoffen verwenden Materialien.
- Stellen Sie sicher, dass der Lüfter ordnungsgemäß funktioniert, bevor Sie die Heizung anzünden.

## Brenngasgeruch

LP-Gas und Erdgas enthalten künstlich hergestellte Geruchsmittel, die speziell für die Erkennung von Brenngaslecks hinzugefügt wurden. Falls ein Gasleck auftritt, sollten Sie in der Lage sein das Brenngas zu riechen. Da Propan (LP) schwerer als Luft ist, sollten Sie auch bis zum Boden hin riechen. **JEDLICHER GASGERUCH SIGNALISIERT, DASS SIE SOFORT IN AKTION TRETEN MÜSSEN!**

- Tun Sie nichts, was das Brenngas entzünden könnte.
- Betätigen Sie keine elektrischen Schalter.
- Ziehen Sie an keinen Stromversorgungs- oder Verlängerungskabeln.
- Zünden Sie keine Streichhölzer oder andere Zündquellen an
- Benutzen Sie nicht Ihr Telefon.
- Stellen Sie sicher, dass alle sofort das Gebäude und Umfeld verlassen. Schließen Sie alle Propan (LP)-Gastankventile oder das Hauptbrennstoff-Versorgungsventil am Gaszähler, falls Sie Erdgas verwenden.
- Propangas (LP) ist schwerer als Luft und kann sich in niedrigen Bereichen absetzen. Halten Sie sich von allen niedrigen Bereichen fern, wenn Sie ein Propanleck vermuten.

- Benutzen Sie ein Telefon, dass sich nicht in der Nähe vom Leck-Bereich befindet, und rufen Sie Ihren Brennstofflieferanten und Ihre Feuerwehr an. Betreten Sie das Gebäude oder Umfeld nicht wieder.
- Bleiben Sie dem Gebäude und Umfeld fern, bis die Feuerwehr und Ihr Brennstofflieferant es für sicher erklärt.
- Lassen Sie **SCHLIESSLICH** die Person vom Brennstoffservice und die Feuerwehrleute auf entwichenes Gas prüfen. Lassen Sie das Gebäude und Umfeld lüften, bevor Sie zurückkehren. Fachgemäß ausgebildetes Servicepersonal muss jegliche Lecks beheben, auf weitere Lecks prüfen und das Gerät dann wieder für Sie anzünden.

## Geruchsverlust - Kein Geruch festgestellt

- Manche Leute haben keinen guten Geruchssinn. Manche Leute können das künstliche Zusatzmittel im Propangas (LP) nicht riechen oder Erdgas. Sie müssen feststellen, ob Sie das Geruchsmittel im Brenngas riechen können.
- Machen Sie sich mit dem Geruch von Propangas gas (LP) und Erdgas vertraut.
- Rauchen kann Ihren Geruchssinn vermindern. Wenn Sie sich eine Zeitlang einem gewissen Geruch aussetzen, kann dies Ihre Empfindlichkeit für diesen Geruch beeinträchtigen. Gerüche in Gebäuden mit Tieren, können den Brenngasgeruch überdecken.
- **Das Geruchsmittel im Propangas (LP) und Erdgas ist farblos und kann unter bestimmten Umständen schwächer werden.**
- Bei einem unterirdischen Leck, kann der Gasstrom durch das Erdreich das Geruchsmittel filtern.
- Der Propangas (LP)-Geruch kann auf verschiedenen Ebenen unterschiedlich stark sein. Da Propangas (LP) schwerer als Luft ist, kann der Geruch auf niedrigeren Ebenen intensiver sein.
- Beachten Sie immer den geringsten Gasgeruch. **Wenn der Gasgeruch anhält, egal wie schwach**, betrachten Sie dies als ernsthaftes Leck. Treten Sie sofort in Aktion, wie oben angegeben.

## ACHTUNG - Kritische Punkte, die zu beachten sind!

- Propangas (LP) hat einen charakteristischen Geruch. Machen Sie sich mit diesem Geruch vertraut. (Beziehen Sie sich auf die Brenngasgeruch- und Geruchsverlust-Abschnitte auf diese Seite)
- Auch wenn Sie in der Wartung und Reparatur des Heizgeräts nicht fachgerecht geschult sind, sollten Sie sich des Geruchs von Propangas (LP) und Erdgas **IMMER** bewusst sein.
- Wenn Sie nicht ordnungsgemäß in der Reparatur und Wartung und Instandhaltung von Propangas (LP) geschult wurden, versuchen Sie nicht, das Heizgerät anzuzünden, Wartungs- oder Reparaturarbeiten durchzuführen oder irgendwelche Einstellungen am Propangas-(LP)-Brennstoffsystem des Heizgeräts durchzuführen vorzunehmen.
- Ein regelmäßiger Riechtest um das Heizgerät herum oder an den Verbindungsstellen, d.h. an Schlauchen, Anschlüssen usw., ist unter allen Bedingungen eine gute Sicherheitsvorkehrung. Selbst wenn Sie nur geringfügig Gas riechen, **WENDEN SIE SICH UMGEHEND AN IHREN BRENNSTOFFLIEFERANTEN. WARTEN SIE AUF KEINEN FALL!**



# LASSEN SIE DAS HEIZGERÄT NIEMALS UNBEAUF SICHTIGT WÄHREND ES IN BETRIEB IST!

## Sicherheitsvorkehrungen

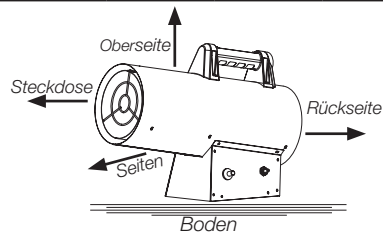
**DIES IST EIN HEIZGERÄT. VERSUCHEN SIE NICHT ESSEN AUF DIESEM HEIZGERÄT AUFZUWÄRMEN ODER ZU KOCHEN.**

1. Untersuchen Sie das Heizgerät gründlich auf Beschädigungen. Betreiben Sie KEIN beschädigtes Heizgerät.
2. Modifizieren oder betreiben Sie KEIN Heizgerät, dessen Originalzustand verändert wurde.
3. Verwenden Sie nur Propangas.
4. Verwenden Sie nur eine Propanzufuhr mit GASABSCHIEDUNG. Falls Sie Fragen Zur Gasabscheidung haben, wenden Sie sich an Ihren Propanhändler.
5. Montieren Sie die Propanflaschen senkrecht (mit Absperrventil nach oben). Achten Sie darauf, dass sie gegen Umfallen oder Umstürzen gesichert sind.
6. Dieses Heizgerät ist nur für den Gebrauch im Freien vorgesehen. Für einen ausreichend belüfteten Bereich müssen mindestens 25% der Fläche offen sein. Die Fläche besteht aus der Summe der Wandflächen
7. Sollte zu irgendeinem Zeitpunkt Gasgeruch festgestellt werden, muss der Betrieb SOFORT EINGESTELLT werden.
8. Beachten Sie, die in Abbildung 1 angegebenen Anforderungen bezüglich dem Mindestabstand von entflammbarem Material.
9. Aufgrund der hohen Oberflächen- und Abgastemperaturen, müssen Kinder und Haustiere während des Betriebs von diesem Gerät ferngehalten werden.
10. Betreiben Sie das Gerät nur auf einer stabilen, ebenen Oberfläche.
11. Verwenden Sie nur die vorgeschriebene elektrische Leistung. Falls das Netzkabel beschädigt ist, muss es vom Hersteller, einem zugelassenen Servicecenter oder ähnlich qualifizierten Personen repariert werden, um Gefahren zu vermeiden.
12. Verwenden Sie nur eine ordnungsgemäß geerdete 3-Steckerstift-Steckdose oder Verlängerungskabel.
13. Bewegen, handhaben oder warten Sie das Gerät nicht, wenn es heiß oder in Betrieb ist.
14. Installieren Sie dieses Gerät und lagern Sie die Gasflasche gemäß den örtlichen / nationalen Gesetzen, Verordnungen und Normen.
15. Decken Sie das Gerät während des Gebrauchs nicht ab.
16. Verwenden Sie das Gerät nicht ohne die vorderen und hinteren Schutzvorrichtungen. Die Schutzvorrichtungen sind für Schutzzwecke vorgesehen.
17. Bei heftigem Wind ist besonders auf ein Kippen des Geräts zu achten.
18. Lassen Sie Reparaturen und / oder Wartungen nur von einem zugelassenen Servicetechniker durchführen
19. Dieses Gerät ist für die Verwendung mit dem 1,5 bar Gasreglers bestimmt, der der EN 16129 und den jeweiligen Anforderungen entspricht. Bei Zweifeln, wenden Sie sich bitte an Ihren örtlichen Lieferanten.

## Belüftungsanforderungen

- Für jedes kW ist eine permanente Belüftung von 25 cm<sup>2</sup> erforderlich, die gleichmäßig zwischen Boden und höheren Bereichen mit einem Mindestauslass von 250 cm<sup>2</sup> verteilt ist.
  - Richten Sie den Heißluftstrom niemals auf den Zylinder.
  - Benutzen Sie das Heizgerät niemals ohne die Abdeckung.
  - Der Freiraum darf 100 W/m<sup>3</sup> nicht überschreiten. Das Mindestvolumen des Raumes muss 100 m<sup>3</sup> betragen.
  - Das Heizgerät muss an einem Ort stehen, wo keine Brandgefahr besteht. Der Heißluftauslass muss mindestens 3,5 m entfernt von einer entflammaren Wand oder Decke sein und darf niemals auf die Gasflasche gerichtet sein. Bei Zweifeln, wenden Sie sich bitte an Ihren örtlichen Lieferanten.
  - Verwenden Sie kein Leerrohr. Blockieren Sie nicht den Einlass- und Auslassbereich des Heizgeräts.
  - Verwenden Sie das Gerät nicht in Kellern, Untergeschossen oder anderen Räumen, die sich unter dem Erdgeschoss befinden.
  - Falls das Heizgerät über einen längeren Zeitraum hinweg auf maximaler Leistung betrieben wird, besteht die Möglichkeit, dass sich auf dem Zylinder Eis bildet. Dies ist durch übermäßige Dampfenahme bedingt. Der Zylinder sollte weder aus diesem, noch aus einem anderen Grund erhitzt werden. Um diesen Effekt zu vermeiden oder zumindest zu verringern, verwenden Sie entweder einen großen oder zwei miteinander verbundenen Zylinder.
  - **Der Hersteller haftet nicht für Schäden, die durch Nichtbeachtung der oben aufgeführten Punkte entstehen. Der Endbenutzer trägt alleiniges und volles Risiko für die Verwendung dieses Produkts und die dafür erforderlichen Komponenten.**
- Abbildung 1: Minimaler Abstand von entflammbarem Material**

Von der Steckdose	Von den Seiten	Von der Oberseite	Von der Unterseite
3,5m	2m	2m	2,5m



# LASSEN SIE DAS HEIZGERÄT NIEMALS UNBEAUF SICHTIGT WÄHREND ES IN BETRIEB IST!

## Gasbedarf

- Verwenden Sie nur Propan, Butan oder ein Gemisch dieser beiden Gase. Siehe Typenschild auf dem Gerät.
- Das Gerät benötigt einen zugelassenen Gasschlauch von <math>< 150\text{ cm}</math> Länge und einen Gasregler. Die Schlauch- und die Reglervorrichtung müssen den örtlichen Standardvorschriften entsprechen.
- Der maximale Eingangsdruck darf 690 kPa nicht überschreiten.
- Ein Gasanschluss von 0,635 cm LH muss mit einem 1,5 bar-Regler verwendet werden. Ein Gasanschluss von 0,9525 cm LH muss mit einem 0 - 2 bar-Regler (wenn erforderlich) verwendet werden.
- Dieses Gerät ist für Gasflaschen bis zu 15 kg vorgesehen.
- Eine verbeulte, beschädigte Gasflasche muss von einem zugelassenen Gasfachmann überprüft werden. Verwenden Sie niemals eine Gasflasche mit einem beschädigten Ventilanschluss.
- Schließen Sie niemals eine nicht regulierte Gasflasche an das Heizgerät an.
- Verdrehen Sie niemals die flexiblen Röhren und Schläuche. Torsionsbeanspruchung der Rohre und Schläuche kann mit der Zeit zu Gasaustritt führen.
- Die Installation der Gasflasche muss den örtlichen Vorschriften oder, falls diese nicht vorhanden sind, den Normen für Lagerung und Handhabung von Flüssiggas entsprechen.
- Trennen Sie die Gasflasche ab, wenn das Heizgerät nicht benutzt wird.
- Trennen Sie das Gerät mit dem Zylinder-Absperrventil vom Zylinder, wenn Sie nicht in Betrieb sind.

## Dichtheitsprüfung

Die Gasanschlüsse am Heizgerät werden vor dem Versand im Werk auf Dichtheit geprüft. Am Installationsort muss wegen möglicher unsachgemäßer Handhabung beim Versand und / oder bei der Installation sowie dem übermäßigen Druck, der auf das Heizgerät ausgeübt wurde, eine vollständige Dichtheitsprüfung durchgeführt werden. Das Heizgerät muss an einer vollen Gasflasche geprüft werden.

1. Vergewissern Sie sich, dass das Sicherheitssteuerventil auf die AUS-Position eingestellt ist.
2. Bereiten Sie eine Seifenwasserlösung aus einem Teil Spülmittel und einem Teil Wasser zu. Die Seifenwasserlösung kann mit einer Sprühflasche, einer Bürste oder einem Lappen auf alle Gasanschlüsse aufgetragen werden.

**⚠ WARNUNG:** Beim Durchführen der Leckprüfung darf niemals geraucht werden! Im Falle eines Gasaustritts darf das Gerät nicht benutzt werden, oder, falls es noch angezündet ist, muss die Gaszufuhr abgesperrt werden, bevor es wieder benutzt werden kann.

3. Schalten Sie die Gaszufuhr EIN. Überprüfen Sie dann alle Verbindungen mit der Seifenlauge. Im Falle eines Lecks entstehen Seifenblasen.
4. Im Falle eines Lecks, müssen Sie die Gaszufuhr abstellen. Ziehen Sie alle undichten Anschlüsse fest, schalten Sie dann die Gaszufuhr ein und überprüfen Sie nochmals. Kontaktieren Sie Ihren Händler oder Gaslieferanten, falls weiterhin Blasen auftreten.

## Zünd- / Betriebsanleitungen

### Vorbereitung für Inbetriebnahme des Geräts

1. Entnehmen Sie das Heizgerät der Verpackung und überprüfen Sie auf mögliche Versandschäden. Falls Schäden gefunden werden, benachrichtigen Sie sofort das Herstellungswerk.
  2. Öffnen Sie die Griff-Verpackung und die Plastiktüte mit den Schrauben.
  3. Befestigen Sie den Griff am Heizgerät, indem Sie die vier mitgelieferten Schrauben durch die vier Löcher an der Oberseite des Geräts führen. Siehe Abbildung 2.
- ANMERKUNG:** Ein Gasschlauch und Gasregler sind NICHT im Lieferumfang des Heizgeräts enthalten.
4. Schließen Sie den Gasversorgungsschlauch an den Druckregler an, und schließen Sie den Regler an eine passende Gasflasche an.
  5. Schließen Sie den Schlauch am Gasanschluss des Heizgeräts an, indem Sie den Schlauchanschluss im Uhrzeigersinn drehen.
  6. Öffnen Sie das Gasventil des Zylinders und überprüfen Sie alle Gasanschlüsse mit einer Seifenwasserlösung, wie oben angegeben.
  7. Schließen Sie das Netzkabel an eine ordnungsgemäß geerdete 220 V~240 V, 50 Hz-Stromquelle an.

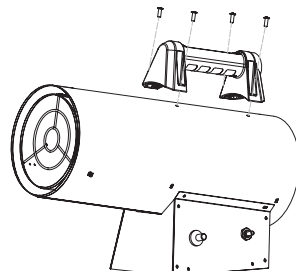
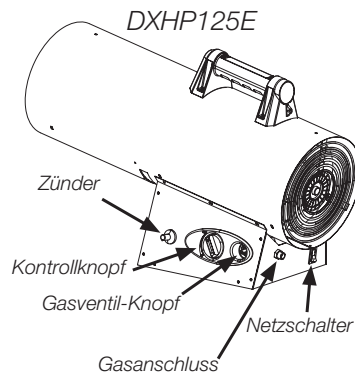
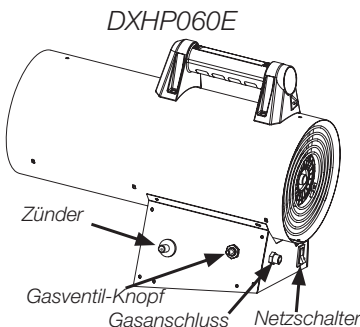


Abbildung 2



# LASSEN SIE DAS HEIZGERÄT NIEMALS UNBEAUF SICHTIGT WÄHREND ES IN BETRIEB IST!

## Starten des Heizgeräts

1. Drehen Sie den Netzschalter auf die AN (I)-Position, um das Gebläse zu starten.  
**ANMERKUNG:** Lassen Sie vor der Zündung des Heizgeräts immer den Heizlüfter (Gebläse) 20 Sekunden lang laufen, um den Kraftstoff zu entleeren.
2. Öffnen Sie langsam das Gasventil an der Propanflasche.
3. Drücken Sie wiederholt den Gasventil-Knopf und den Zünder (piezoelektrischer Anzünder), bis die Flamme aufleuchtet.
4. Nachdem das Heizgerät gezündet ist, halten Sie den Ventilknopf etwa 10 Sekunden lang gedrückt. Sollte sich das Heizgerät nach Loslassen des Ventilknopfes ausschalten, warten Sie eine Minute und wiederholen Sie den Startvorgang, indem Sie den Ventilknopf länger gedrückt halten.
5. Drehen Sie den Kontrollknopf nur beim DXPH125E-Modell auf die niedrigste Einstellung. Nachdem das Heizgerät angezündet ist, können Sie die Verbrennungsrate einstellen, indem Sie den Regelknopf auf die gewünschte Heizstufe einstellen.

**ANMERKUNG:** Sollte es ein anhaltendes Problem geben, kontaktieren Sie Ihren Lieferanten.

**⚠ VORSICHT:** Sollte die Zündung schwierig oder unregelmäßig sein, vergewissern Sie sich vor der Wiederholung des Startvorgangs, dass das Gebläse nicht blockiert und der Lufteinlass und Auslass nicht behindert ist.

## Abschalten der Heizung

1. Schließen Sie das Ventil an der Propanflasche sicher zu.
  2. Betreiben Sie das Heizgerät solange weiter, bis der gesamte Brennstoff im Schlauch verbrannt ist, und stellen Sie dann den Netzschalter auf die AUS (O)-Position.
  3. Ziehen Sie den Netzschalter aus dem Stecker.
- ⚠ VORSICHT:** Schalten Sie die Brennstoffzufuhr immer ab:

- Bevor Sie die Stromversorgung ausschalten
- Bevor Sie das Gerät wegstellen
- Nach jedem Gebrauch

## NEUSTART NACH SICHERHEITSAUSSCHALTUNG

1. Schließen Sie das Ventil an der Propangasflasche sicher zu. Ziehen Sie den Netzschalter aus dem Stecker.
2. Warten Sie 5 Minuten.
3. Starten Sie erneut, indem Sie das „START“-Verfahren befolgen.

**ANMERKUNG:** : Falls gerade ein neuer Tank angeschlossen wurde, warten Sie mindestens eine Minute oder länger, bis die Luft in der Gasleitung sich durch die Zündöffnung entleert hat.

**⚠ WARNUNG:** Halten Sie immer einen Trockenchemikalien-Feuerlöscher griffbereit.

## GEBLÄSEBETRIEB

1. Das Gerät kann auch als Ventilator verwendet werden.
2. Entfernen Sie in diesem Fall den Gasversorgungsschlauch und schließen Sie den Stecker des Heizgeräts an eine geeignete Stromversorgung an.
3. Stellen Sie den Netzschalter auf die AN (I)-Position ein.

## AUSTAUSCH DER GASFLASCHE

1. Stellen Sie das Heizgerät ab.
2. Schließen Sie das Ventil der Gasflasche.
3. Trennen Sie den Regler von der Gasflasche ab, und befolgen Sie dabei die Anweisungen, die mit dem Regler mitgeliefert wurden.
4. Ersetzen Sie den Zylinder.  
**⚠ WARNUNG:** Entfernen Sie den Stöpsel oder die Dichtkappe nur in einem ausreichend belüfteten Bereich, abseits jeglicher Zündquellen (Kerze, Zigaretten und anderen Vorrichtungen, die Flammen erzeugen).
5. Prüfen Sie das Vorhandensein und den guten Zustand der Dichtung, bevor Sie den Regler an die neue Gasflasche anschließen.
6. Prüfen Sie, ob die Dichtung des Reglers korrekt angebracht ist und ordnungsgemäß funktioniert.
7. Testen Sie mit der Seifenwasserlösung auf Undichtigkeiten.

## WARTUNG

- Das Heizgerät sollte vor jedem Gebrauch inspiziert und mindestens einmal im Jahr von einer qualifizierten Person überprüft werden. Trennen Sie das Heizgerät von der Gas- und Stromquelle ab, bevor Sie mit den Wartungsarbeiten beginnen.

**⚠ WARNUNG:** Das ganze Gassystem: Schlauch, Regler, Zündeinheit und Brenner, sollten vor Gebrauch auf Undichtigkeiten geprüft werden. Zumindest aber einmal im Monat und jedes Mal, wenn die Gasflasche gewechselt wird. Untersuchen Sie die Schlauchleitung auf Zeichen von extremer Abnutzung, Schnitten und Verschleiß. Verdächtige Bereiche sollten auf Lecks geprüft werden. Sollte der Schlauch undicht sein, muss er durch einen neuen Schlauch (der den lokalen Normen entspricht) ersetzt werden. Falls der Schlauch Anzeichen von Rissen, Brüchigkeit oder anderen Abnutzungen aufweist, muss er gegen einen neuen Schlauch von gleicher Länge und gleichwertiger Qualität ausgetauscht werden. Ersetzen Sie das Gasrohr / den Gasschlauch im Zeitraum, der für den Schlauch angegeben ist.

Wenn das Gerät über längere Zeit hinweg nicht benutzt wurde, empfehlen wir, dass ein Techniker vor Wiederinbetriebnahme eine allgemeine Überprüfung durchführt. Es ist wichtig, folgendes zu tun:

1. Überprüfen Sie regelmäßig den Zustand des Gasversorgungsschlauchs, und sollte er ersetzt werden, verwenden Sie nur ein Originalersatzteil.
2. Überprüfen Sie die Anschlüsse des Sicherheitsthermostats und des Thermoelements: sie müssen immer sauber sein. Falls erforderlich, reinigen Sie den Gebläseflügel und das Innere des Heizgeräts mit Pressluft.

# LASSEN SIE DAS HEIZGERÄT NIEMALS UNBEAUF SICHTIGT WÄHREND ES IN BETRIEB IST!

## Instandhaltung

Es kann zu Gefahren führen, wenn ein Heizgerät verwendet wird, das modifiziert wurde oder nicht ordnungsgemäß funktioniert. Wenn das Heizgerät ordnungsgemäß funktioniert:

- \* Die Flamme befindet sich innerhalb des Heizgeräts.
- \* Die Flamme ist hauptsächlich blau mit eventueller Gelbspitzigkeit.
- \* Es ist kein vernehmbarer unangenehmer Geruch, Augenbrennen oder andere körperliche Beschwerden vorhanden.
- \* Es entsteht kein Rauch oder Ruß innerhalb oder außerhalb des Heizgeräts.
- \* Es kommen keine ungeplanten oder unerklärlichen Abschaltungen des Heizgeräts vor.

Die Stücklisten und die Explosionszeichnung stellen das Heizgerät dar, wie es konstruiert wurde. Verwenden Sie nur das dargestellte Heizgerät und kein anderes. Verwenden Sie diesbezüglich nur den Schlauch, den Regler und das Zylinderanschlussstück (POL-Fitting genannt), die mit dem Heizgerät geliefert wurden. **WICHTIG** Stimmen Sie den Farbstreifen, auf dem an der Schlauchanordnung angebrachten Anhängetikett, mit der Farbe auf dem Etikett ab, das sich nahe des Propaneinlassanschlusses am Heizgerät befindet. Verwenden Sie keine Alternativen. Der Regler dieses Heizgeräts wurde werkseitig eingestellt, wie unter „Spezifikationen“ angegeben. Lassen Sie die Reglereinstellung überprüfen, falls es Unklarheiten gibt.

Ein Heizgerät, das nicht einwandfrei funktioniert, muss von einer ausgebildeten, erfahrenen Serviceperson repariert werden.

Produkte, die noch unter Garantie sind, werden ohne Kosten für Teile oder Arbeit repariert. Fügen Sie bitte das Kaufdatum, den Einkaufsort, die Art des Problems und den Kaufbeleg bei.

Produkte, die nicht mehr unter Garantie sind, werden gegen eine Gebühr für Teile und Arbeit repariert.

## Lagerung

- Vergewissern Sie sich, dass das Heizgerät ausgestellt ist.
- Stellen Sie das Gas an der / den LP-Gaszufuhrflasche(n) ab, wenn das Gerät nicht in Betrieb ist.
- Trennen Sie die Gasflasche vom Gasheizgerät ab.
- Lagern Sie die Gasflasche in einem kühlen, trocknen, dunklen und gut belüfteten Raum. Ein abgetrennter Zylinder muss mit fest installierten Gewinde-Ventilstopfen versehen sein. Lagern Sie ihn in sicherer Entfernung von brennbaren, explosiven oder heißen Materialien und möglichst nicht in einer Wohnung. Darüber hinaus sollte er niemals im Keller oder auf dem Dachboden gelagert werden.
- Der Zylinder muss außerhalb der Reichweite von Kindern gelagert werden.
- Lagern oder benutzen Sie kein Benzin oder andere entflammbar Dämpfe und Flüssigkeiten in der Nähe dieses oder eines anderen Geräts.
- Sollte das Heizgerät in Innenräumen gelagert werden, muss die Verbindung zwischen dem / den LP-Gas-Versorgungszylinder(n) und dem Heizgerät und der / den Zylinder(n) aus dem Heizgerät entfernt und im Freien gelagert werden.
- Prüfen Sie die Dichtung des Gasventils auf Beschädigungen. Falls Sie einen Defekt vermuten, lassen Sie es von Ihrem Gasfachhändler austauschen.

## Reinigung und Pflege

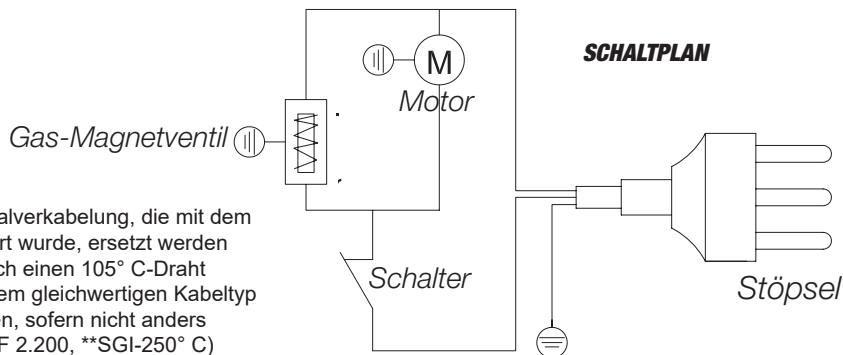
**⚠️ WARNUNG:** Vergewissern Sie sich, dass das Heizgerät in der Aus-Position und abgekühlt ist. Reinigen Sie das Heizgerät nicht mit brennbaren oder ätzenden Reinigungsmitteln.

- Wischen Sie die pulverbeschichtete Oberfläche mit einem weichen, feuchten Lappen und Seifenwasser ab.
- Entfernen Sie Schmutz, sowie Spinnen- und Insektenester mit einem hochleistungsfähigen Rohreiniger oder Pressluft aus der Belüftungsöffnung des Zylindergehäuses, dem Kontrollfach, dem Brenner und dem Luftdurchgang, um das Gerät sauber und gefahrenfrei zu halten.
- Reinigen Sie Ausgänge oder andere Öffnungen niemals mit Zahnstochern oder anderen Gegenständen, die zerbrechen und die Ausgänge blockieren könnten.

# LASSEN SIE DAS HEIZGERÄT NIEMALS UNBEAUF SICHTIGT WÄHREND ES IN BETRIEB IST!

## Fehlersuche

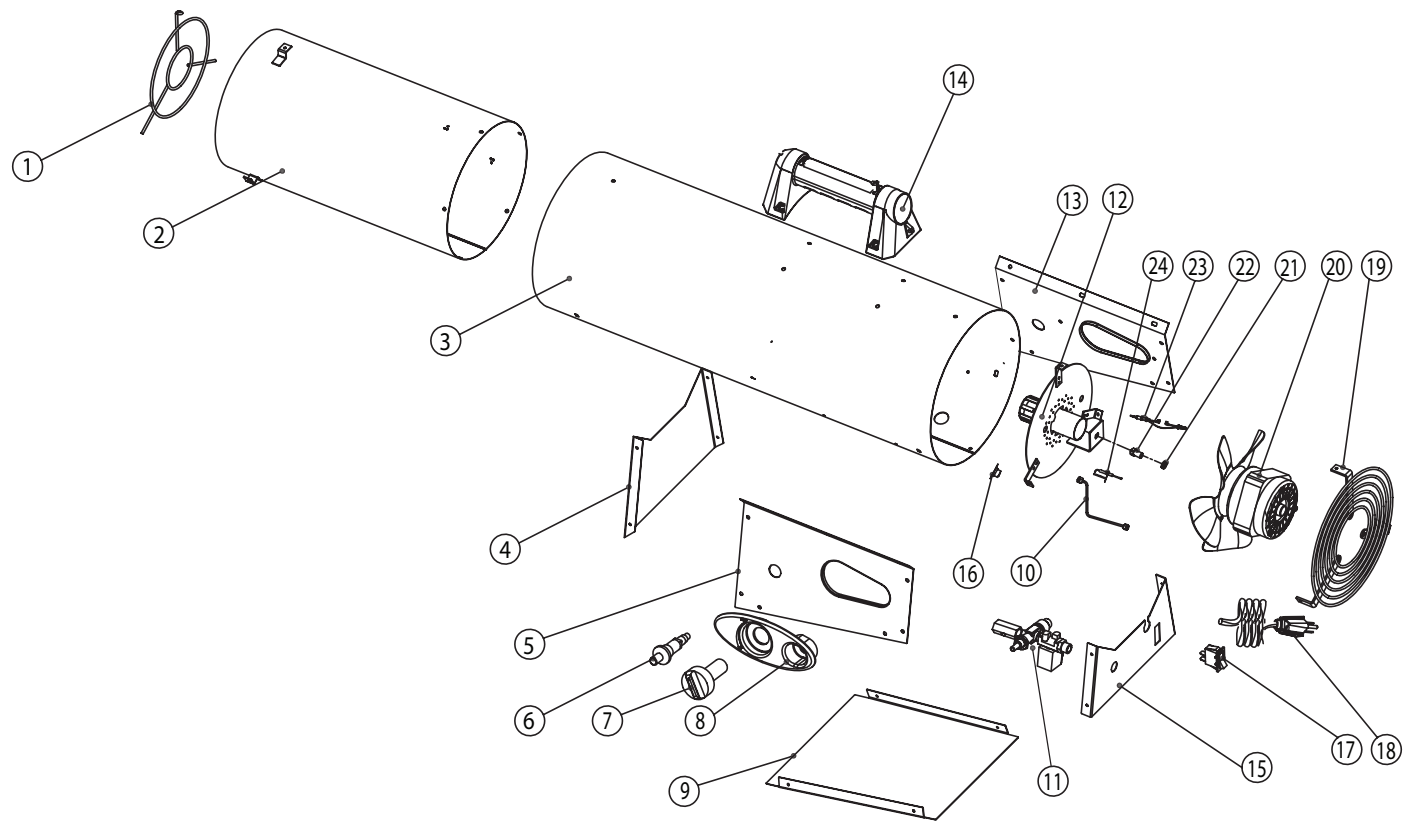
PROBLEM	CAUSE	LÖSUNGEN
Der Motor funktioniert nicht	Keine Stromzufuhr	Prüfen Sie das Klemmbrett mit einem Testgerät
Der Motor funktioniert, aber der Brenner zündet nicht und das Heizgerät geht nach wenigen Sekunden aus	Der Flaschengashahn ist geschlossen	Öffnen Sie den Gashahn
	Der Zylinder ist leer	Verwenden Sie einen neuen Zylinder
	Die Düse ist blockiert	Entfernen und reinigen Sie die Düse
	Das Gas-Magnetventil ist nicht geöffnet	Prüfen Sie, ob das Gas-Magnetventil funktioniert
	Es entsteht kein Funken	Überprüfen Sie die Elektrodenposition
Der Brenner zündet, aber das Heizgerät geht nach wenigen Sekunden aus	Das Heizgerät ist nicht ordnungsgemäß geerdet	Prüfen und schließen Sie es ordnungsgemäß an
	Fehlerhafte Verbindung zwischen dem Sensor und der Sicherheitsvorrichtung	Prüfen und schließen Sie es ordnungsgemäß an
	Beschädigte Sicherheitsvorrichtung	Ersetzen Sie die Sicherheitsvorrichtung
Das Heizgerät stoppt während des Betriebs	Übermäßige Gaszufuhr	Überprüfen Sie den Druckminderer und wenn nötig, ersetzen Sie ihn
	Unzureichender Luftstrom	Vergewissern Sie sich, dass der Motor ordnungsgemäß funktioniert
	Unzureichende Gasversorgung aufgrund von Eisbildung auf dem Zylinder.	Püfen und verwenden Sie entweder einen größeren oder zwei miteinander verbundenen Zylinder



Falls jegliche Originalverkabelung, die mit dem Heizgerät mitgeliefert wurde, ersetzt werden muss, muss sie durch einen 105° C-Draht AWG-Typs oder einem gleichwertigen Kabeltyp ausgetauscht werden, sofern nicht anders angegeben (Type SF 2.200, \*\*SGI-250° C)

LASSEN SIE DAS HEIZGERÄT NIEMALS UNBEAUF SICHTIGT WÄHREND ES IN BETRIEB IST!

Deutsch



# LASSEN SIE DAS HEIZGERÄT NIEMALS UNBEAUF SICHTIGT WÄHREND ES IN BETRIEB IST!

## DXPH060E & DXPH125E REPLACEMENT PARTS LIST

#	60K	125K	Beschreibung	Stückzahl
1	20989	20978	Steckdosenhalterung	1
2	20954	20979	Brennkammer	1
3	20914	20925	Außenrohr	1
4	20955	20980	Basis-Frontplatte	1
5	20956	20981	Linke Grundplatte (DXPH125E Abgebildet)	1
6	20957	20957	Zünder	1
7	Nicht verfügbar	20982	Kontrollknopf	1
8	Nicht verfügbar	20983	Dekorblende	1
9	20920	20931	Basis-Bodenplatte	1
10	20977	20958	Brenner-Versorgungsrohr	1
11	20959	20984	Ventilvorrichtung	1
12	20974	20963	Brennereinheit	1
13	20916	20927	Rechte Grundplatte (DXPH125E Abgebildet)	1

#	60K	125K	Beschreibung	Stückzahl
14	40801	40801	Griff	1
15	20962	20985	Basis-Rückplatte	1
16	20976	20975	Endschalter (mit hohem Endwert)	1
17	20964	20964	Schalter	1
18	20965	20965	Stromversorgungskabel (J-Typ)	1
	20966	20966	Stromversorgungskabel (F-Typ)	1
	20967	20967	Stromversorgungskabel (G-Typ)	1
19	20968	20986	Einlasshalterung	1
20	20969	20987	Gebäsemotor	1
21	20970	20970	Düsenmutter	1
22	20971	20988	Düse	1
23	20972	20972	Thermoelement	1
24	20973	20973	Zündelektrode	1

LASSEN SIE DAS HEIZGERÄT NIEMALS UNBEAUF SICHTIGT WÄHREND ES IN BETRIEB IST!

Deutsch

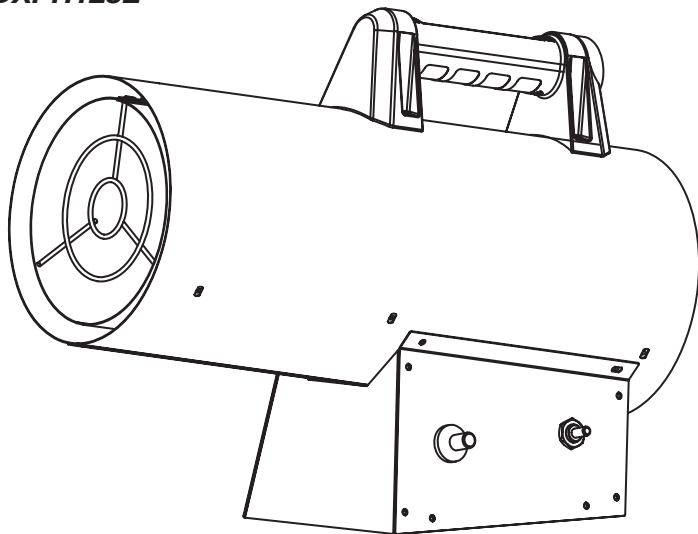
# DEWALT®

## BEDIENUNGSANLEITUNG

### GASKRAFTLUFTHHEIZUNG

DXPH060E

DXPH125E



### ⚠️ Warnung

VERWENDEN SIE NUR ERSATZTEILE VOM HERSTELLER. DIE VERWENDUNG ANDERER ERSATZTEILE KANN ZU VERLETZUNGEN UND TOD FÜHREN. ERSATZTEILE SIND NUR DIREKT VOM HERSTELLER ERHÄLTICH UND MÜSSEN VON EINER QUALIFIZIERTEN SERVICESTELLE EINGEBAUT WERDEN.

### INFORMATIONEN ZUR ERSATZTEILBESTELLUNG:

KAUF: Zubehör kann bei jedem örtlichen DeWALT®-Händler oder direkt vom Hersteller erworben werden.

### FÜR SERVICEINFORMATION:

[www.DEWALT.com](http://www.DEWALT.com)

[www.2helpU.com](http://www.2helpU.com)

Geben Sie bitte Modellnummer, Kaufdatum und Beschreibung des Problems an.

### BEGRENZTE GARANTIE

DeWALT® garantiert, dass seine Heizgeräte und Zubehörteile für einen Zeitraum von 2 Jahren ab Kaufdatum frei von Material- und Verarbeitungsfehlern sind.

DeWALT® wird dieses Produkt kostenlos reparieren oder ersetzen, wenn es innerhalb der 2-Jahresfrist nachweislich defekt ist und innerhalb der Garantiezeit auf Kosten des Kunden mit Kaufnachweis an DeWALT® zurückgeschickt wird.

In folgenden Ländern zum Verkauf erhältlich:



GB



DE



FR



IT



NL



DK



SE



FI



NO

DeWALT®, GUARANTEED TOUGH® und die gelbe und schwarze Farbgebung sind Markenzeichen der DeWALT Industrial Tool Co., unter Lizenz verwendet. ©2020 DeWALT. EGI / Enerco Group Inc. Unter Lizenz von DeWALT Industrial Tool Co



2531/20  
EN 1596:1998+A1:2004  
2531DL-0078



**NE JAMAIS LAISSER L'APPAREIL DE CHAUFFAGE SANS SURVEILLANCE QUAND IL FONCTIONNE**

*Si vous avez des questions ou des remarques, contactez-nous.*

***www.DEWALT.com***

**MANUEL D'UTILISATION**

# DEWALT®

**LANGUES INCLUSES :** ANGLAIS, ALLEMAND, FRANÇAIS, ITALIEN,  
HOLLANDAIS, FINNOIS, SUÉDOIS, NORVÉGIEN, DANOIS

**CE**

2531/20  
EN 1596:1998+A1:2004  
2531DL-0078

**Chauffe-Gaz À Air Forcé DXPH060E, DPH125E**

**CONSERVEZ CES INSTRUCTIONS**

**⚠ AVERTISSEMENT : LISEZ ATTENTIVEMENT LES INSTRUCTIONS :** Lisez et suivez toutes les instructions. Rangez les instructions dans un endroit sûr pour une consultation ultérieure. Toute personne qui monte, règle ou fait fonctionner l'appareil de chauffage doit avoir lu ces instructions.

## Définition Directives de sécurité

Les définitions ci-dessous décrivent le niveau de gravité de chaque mot de signalement. Veuillez lire le manuel et faire attention à ces symboles.

- ⚠ **DANGER** : Indique une situation dangereuse imminente qui, si elle n'est pas évitée, provoquera la **mort ou de graves blessures**.
- ⚠ **AVERTISSEMENT** : Indique une situation dangereuse imminente qui, si elle n'est pas évitée, **provoquera la mort ou de graves blessures**.
- ⚠ **PRUDENCE** : Indique une situation potentiellement dangereuse qui, si elle n'est pas évitée, **pourrait** provoquer la **mort ou de graves blessures**.
- NOTICE** : Indique une pratique non reliée à un dommage corporel qui, si elle n'est pas évitée, **pourrait** provoquer des **dégâts matériels**.

⚠ **AVERTISSEMENT** : RISQUE DE BRÛLURE PAR LE FEU, D'INHALATION ET D'EXPLOSION. CONSERVER LES COMBUSTIBLES SOLIDES, COMME LES MATÉRIAUX DE CONSTRUCTION, LE PAPIER OU LE CARTON, À DISTANCE DU CHAUFFAGE, COMME IL EST RECOMMANDÉ DANS LES INSTRUCTIONS. N'UTILISEZ JAMAIS LE CHAUFFAGE DANS DES ESPACES QUI CONTIENNENT OU PEUVENT CONTENIR DES COMBUSTIBLES EN SUSPENSION DANS L'AIR, OU DES PRODUITS COMME DE L'ALCOOL, DES SOLVANTS, DU DILUANT DE PEINTURE, DES PARTICULES DE POUSSIÈRE OU DES PRODUITS CHIMIQUES INCONNUS.

### ⚠ **AVERTISSEMENT : RISQUE GÉNÉRAL**

LE NON RESPECT DES PRÉCAUTIONS ET DES INSTRUCTIONS FOURNIES AVEC CE CHAUFFAGE PEUT PROVOQUER LA MORT, DE GRAVES DOMMAGES CORPORELS ET UNE PERTE DE BIENS, OU DES DÉGÂTS PAR LE RISQUE D'INCENDIE, D'EXPLOSION, DE BRÛLURES, D'ASPHYXIE, D'INTOXICATION AU MONOXYDE DE CARBONE ET / OU DE CHOC ÉLECTRIQUE.

SEULES LES PERSONNES QUI PEUVENT COMPRENDRE ET SUIVRE LES INSTRUCTIONS DEVRAIENT UTILISER OU ENTRETENIR CET APPAREIL DE CHAUFFAGE.

SI VOUS AVEZ BESOIN D'ASSISTANCE OU D'INFORMATIONS SUR LE CHAUFFAGE, COMME UN MANUEL D'UTILISATION, DES ÉTIQUETTES, ETC. CONTACTEZ LE FABRICANT. CONSERVEZ CES INSTRUCTIONS POUR LES CONSULTER ULTÉRIEUREMENT.

⚠ **AVERTISSEMENT** : CE CHAUFFAGE EST PRÉVU POUR UNE UTILISATION EN EXTÉRIEUR UNIQUEMENT. UNE ZONE LARGEMENT VENTILÉE DOIT COUVRIR 25 % AU MINIMUM DE LA SURFACE OUVERTE. LA SURFACE EST LA SOMME DE LA SURFACE DES MURS.

⚠ **AVERTISSEMENT** : NE PAS UTILISER POUR LE CHAUFFAGE DE LOCAUX HABITABLES OU D'HABITATIONS ; À UTILISER DANS DES BÂTIMENTS PUBLICS VOIR LES RÉGLEMENTATIONS NATIONALES.

Ce chauffage est construit en conformité avec les textes applicables de la norme EN1596:1998/A1:2004. INSTALLEZ CET APPAREIL UNIQUEMENT S'IL EST CONFORME À LA LÉGISLATION LOCALE / NATIONALE, LES ORDONNANCES ET LES NORMES.

## SOMMAIRE

AVERTISSEMENTS	2
CARACTÉRISTIQUES DU CHAUFFAGE	3
AVERTISSEMENTS DE DISSIPATION DE L'ODEUR	4
PRÉCAUTIONS DE SÉCURITÉ	5
INSTRUCTIONS D'ALLUMAGE / DE FONCTIONNEMENT	6
MAINTENANCE	7
DÉPANNAGE	9
SCHÉMA DE CÂBLAGE	9
VUE ÉCLATÉE et NOMENCLATURE	10
GARANTIE LIMITÉE	12

**NE JAMAIS LAISSER L'APPAREIL DE CHAUFFAGE SANS SURVEILLANCE QUAND IL FONCTIONNE**

**Caractéristiques du chauffage**

Modèle	DXPH060E		DXPH125E			
	Catégorie de gaz	I3B/P	I3P	I3B/P	I3P	
Type de gaz	G30/G31 ou leur mélange		G30/G31 ou leur mélange	G31		
Consommation de gaz (maxi)	G30 1310 g/h	G31 1286 g/h	1286 g/h	G30 2547 g/h	G31 2501 g/h	2501 g/h
Pays de destination	GB, DE, FR, IT, NL, DK, SE, FI, NO		GB, DE, FR, IT, NL, DK, SE, FI, NO	GB, DE, FR, IT, NL, DK, SE, FI, NO		
Apport nominal de chaleur	18 kW			35 kW		
Pression d'entrée	1,5 bar					
Pays d'origine	Chine					
Données électrique	220 - 240V 50Hz 29W			220 - 240V 50Hz 44W		
PIN	2531DL-0078					
Classe IP	IPx4					
Raccord d'entrée de gaz	G 1/4 LH					

**REMARQUE :** L'apport de chaleur du modèle DXPH125E est réglable de 20 kW à 35 kW.



## AVERTISSEMENT

### Risque d'asphyxie

- Ne pas utiliser dans des locaux non ventilés
- Le flux d'air de combustion et de ventilation ne doit pas être obstrué
- Une ventilation adaptée doit être fournie pour répondre aux besoins en air de combustion du chauffage utilisé.
- Voir le chapitre des spécifications dans le manuel de l'appareil de chauffage, la plaque signalétique du chauffage, ou contactez l'usine pour définir les besoins en air de combustion de l'appareil de chauffage.
- Un manque d'air de combustion adapté provoquera une combustion incorrecte
- Une combustion incorrecte peut générer une intoxication au monoxyde de carbone, qui provoque de graves blessures ou la mort. Les symptômes d'une intoxication au monoxyde de carbone peuvent inclure des maux de tête, des étourdissements et des difficultés respiratoires.
- Utiliser uniquement dans un endroit bien ventilé et loin des combustibles matériaux.
- Assurez-vous que le ventilateur fonctionne correctement avant d'allumer le radiateur.

### Odeur du gaz combustible

Le gaz propane et le gaz naturel comportent des substances odorantes faites par l'homme, ajoutées spécialement pour la détection de fuite de gaz combustible. En cas de fuite de gaz, vous devriez être capable de sentir le gaz combustible. Étant donné que le propane (LP) est plus lourd que l'air, vous devriez sentir l'odeur du gaz au niveau du sol. **TOUTE ODEUR DE GAZ EST UN SIGNAL POUR UNE ACTION IMMÉDIATE DEVOTRE PART !**

- Ne faites rien qui pourrait enflammer le gaz combustible.
- N'actionnez pas d'interrupteur électrique.
- Ne débranchez pas de câble d'alimentation ou de rallonge électrique.
- N'allumez pas d'allumette ou toute autre source de flamme.
- N'utilisez pas votre téléphone.
- Faites sortir tout le monde du bâtiment et loin de la zone immédiatement. Fermez le réservoir de gaz propane (LP) ou les vannes d'alimentation de la bouteille, ou la vanne d'alimentation principale en combustible située sur le compteur, si vous utilisez du gaz naturel.
- Le gaz propane (LP) est plus lourd que l'air et peut se déposer dans des zones basses. Si vous avez des raisons de suspecter une fuite de propane, restez à l'écart des zones basses.

- Utilisez un téléphone à l'écart de la zone de la fuite et contactez votre fournisseur de gaz et les pompiers. Ne rentrez pas dans le bâtiment ou la zone.
- Restez à l'extérieur du bâtiment et hors de la zone jusqu'à ce qu'il/elle soit déclaré(e) sûr(e) par les pompiers et votre fournisseur de gaz combustible.
- ENFIN, laissez la personne de l'entreprise fournisseur de gaz et les pompiers vérifier la fuite de gaz. Demandez-leur d'aérer le bâtiment et la zone avant d'y retourner. Les agents d'entretien correctement formés doivent réparer les fuites, vérifier l'absence d'autres fuites et rallumer votre appareil pour vous.

### Dissipation de l'odeur - pas d'odeur détectée

- Certaines personnes ont peu d'odorat. Certaines personnes ne peuvent pas sentir l'odeur de la substance chimique ajoutée au gaz propane (LP) ou gaz naturel. Vous devez déterminer si vous pouvez sentir la substance odorante dans ces gaz combustibles.
- Apprenez à reconnaître l'odeur du gaz propane (LP) ou gaz naturel.
- Fumer peut réduire votre odorat. Vivre dans une odeur pendant un certain temps peut affecter votre sensibilité à une odeur particulière. Les odeurs présentes dans les bâtiments d'élevage d'animaux peuvent masquer l'odeur de gaz combustible.
- **L'odorant dans le gaz propane (LP) est incolore et l'intensité de l'odeur peut disparaître dans certaines circonstances.**
- Si la fuite provient du sous-sol, le déplacement du gaz à travers la terre peut filtrer la substance odorante.
- Selon le niveau, l'odeur du gaz propane (LP) peut être plus ou moins forte. Étant donné que le gaz propane (LP) est plus lourd que l'air, l'odeur peut être plus forte à des niveaux inférieurs.
- **Soyez toujours sensible à la moindre odeur de gaz.** Si vous détectez régulièrement une odeur de gaz, si faible soit-elle, traitez-la comme une fuite grave. Agissez immédiatement comme exposé ci-dessus.

### ATTENTION - Points critiques à garder à l'esprit !

- Le gaz propane (LP) a une odeur distinctive. Apprenez à reconnaître ces odeurs. (Voir les chapitres Odeur du gaz combustible et Dissipation de l'odeur sur cette page)
- Même si vous n'êtes pas correctement formé à l'entretien et à la réparation de votre appareil de chauffage, soyez TOUJOURS conscient des odeurs du gaz propane (LP) et du gaz naturel.
- Si vous n'avez pas été correctement formé à la réparation et à l'entretien du gaz propane (LP) ou du mélange butane / propane (LP), n'essayez pas d'allumer le chauffage, d'effectuer un entretien, des réparations ou des réglages sur l'appareil de chauffage sur le système de gaz combustible au propane (LP) ou au mélange butane / propane (LP)
- Un test de reniflement autour de l'appareil de chauffage ou au niveau des joints, c.-à-d. le tuyau, les raccordements, etc., est une bonne pratique de sécurité, quelles que soient les conditions. Si vous sentez même un faible volume de gaz, CONTACTEZ IMMÉDIATEMENT VOTRE FOURNISSEUR DE GAZ. N'ATTENDEZ PAS !

## Précautions de sécurité

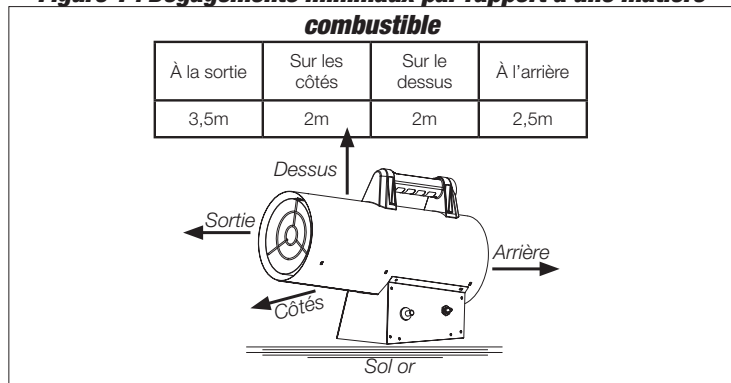
**CECI EST UN APPAREIL DE CHAUFFAGE. N'ESSAYEZ PAS DE CHAUFFER OU DE CUIRE DES ALIMENTS SUR CE CHAUFFAGE.**

- Vérifiez soigneusement l'absence de dommages sur le chauffage. NE PAS faire fonctionner un chauffage endommagé.
- NE PAS modifier un chauffage ou faire fonctionner un appareil de chauffage dont l'état d'origine a été modifié.
- Utiliser uniquement du gaz propane.
- Utiliser seulement une alimentation en propane avec SOUTIRAGE À L'ÉTAT GAZEUX. Si vous avez des questions au sujet du SOUTIRAGE À L'ÉTAT GAZEUX, interrogez votre revendeur de propane.
- Montez les bouteilles de propane verticalement (vanne d'arrêt en haut). Sécurisez-les contre une chute ou un renversement et protégez-les contre les dommages.
- Ce chauffage est prévu pour une utilisation en extérieur uniquement. Une zone largement ventilée doit couvrir 25 % au minimum de la surface ouverte. La surface est la somme de la surface des murs.
- Si à n'importe quel moment une odeur de gaz est détectée, ARRÊTEZ IMMÉDIATEMENT le fonctionnement jusqu'à la détection et la réparation de la source de gaz.
- Conservez un dégagement minimal par rapport à une matière combustible normale selon les exigences citées dans la figure 1.
- Étant donné les températures de surface et d'échappement élevées, les enfants et les animaux doivent être tenus à l'écart de cet appareil quand il est utilisé.
- Faire fonctionner uniquement sur une surface stable et plane.
- Utilisez uniquement la puissance électrique spécifiée. Si le câble d'alimentation est endommagé, il doit être réparé par le fabricant, son agent d'entretien ou d'autres personnes qualifiées, pour éviter un risque.
- Utilisez une prise à trois fiches ou un câble prolongateur correctement relié à la terre.
- Ne pas déplacer, manipuler ou entretenir quand il est chaud ou qu'il brûle.
- Installez cet appareil et stockez la bouteille de gaz selon la législation, les règlements et les normes locales / nationales.
- Ne pas couvrir l'appareil pendant l'utilisation.
- Ne pas utiliser l'appareil sans les grilles avant et arrière en place. Les grilles servent de protections.
- En cas de vent violent, il faut veiller à ce que l'appareil ne bascule pas.
- Faites effectuer les réparations et / ou l'entretien uniquement par un technicien d'entretien agréé.
- Cet appareil est conçu pour utiliser un détendeur de gaz 1,5 bar selon la EN 16129 et l'exigence correspondante. En cas de doute, veuillez contacter votre revendeur local.

## Besoins en ventilation

- Pour chaque kW une ventilation permanente de 25 cm<sup>2</sup> est nécessaire, répartie de manière égale entre le sol et le haut, avec un débit minimum de 250 cm<sup>2</sup>.
- Ne jamais orienter le flux d'air chaud vers la bouteille.
- Ne jamais utiliser le chauffage sans son capot.
- Ne pas dépasser 100 W/m<sup>3</sup> d'espace libre. Le volume minimum de la pièce doit être supérieur à 100 m<sup>3</sup>.
- L'appareil doit être placé là où il n'y a pas de risque de feu. La sortie d'air chaud doit être à au moins 3,5 m d'un mur ou d'un plafond inflammable et ne doit jamais être orientée vers la bouteille de gaz. En cas de doute, veuillez contacter votre fournisseur.
- N'utilisez pas de conduites. Ne pas obstruer l'entrée ou la sortie de l'appareil de chauffage.
- Ne pas utiliser le chauffage dans des caves, des sous-sols ou dans toute pièce sous le niveau du sol.
- Si le chauffage doit fonctionner pendant une période prolongée à sa capacité maximale, il est possible que de la glace se forme sur la bouteille. Ceci est dû à un soutirage à l'état gazeux excessif. La bouteille ne doit pas être chauffée, ni pour cette raison ni pour aucune autre. Pour éviter cet effet, ou au moins le réduire, utilisez une grande bouteille ou deux bouteilles raccordées ensemble.

**Figure 1 : Dégagements minimaux par rapport à une matière combustible**



## Besoins en gaz

- Utilisez du propane, du butane ou leur mélange uniquement. Voir la plaque signalétique sur l'appareil.
- L'appareil a besoin d'un tuyau de gaz homologué de longueur <150 cm et un détendeur de gaz. L'assemblage du tuyau et du détendeur doit être conforme aux normes locales.
- La pression maxi d'entrée du détendeur ne doit pas dépasser 690 kPa.
- Le raccord de gaz 0,635 cm LH doit être utilisé avec un détendeur 1,5 bar. • Le raccord de gaz 0,9525 cm LH doit être utilisé avec un détendeur 0 à 2 bar (si nécessaire).
- Cet appareil est conçu pour les bouteilles de gaz jusqu'à 15 kg.
- Une bouteille de gaz cabossée, rouillée ou endommagée peut être dangereuse et doit être vérifiée par un spécialiste agréé du gaz. Ne jamais utiliser une bouteille de gaz avec un raccord de vanne endommagé.
- Ne jamais raccorder une bouteille de gaz sans détendeur au chauffage.
- Ne jamais tordre les tubes et les flexibles. La contrainte de torsion sur les tubes et les flexibles peut provoquer une fuite de gaz à long terme.
- L'installation de la bouteille de gaz doit être conforme à la législation locale, ou, en l'absence de législation, à la norme pour le stockage et la manipulation de gaz de pétrole liquéfiés.
- Débranchez la bouteille de gaz quand le chauffage n'est pas utilisé.
- Isolez l'appareil de la bouteille au moyen de la vanne d'isolement de la bouteille lorsqu'il n'est pas en marche.

## Test de fuites

Les raccords de gaz sont soumis à un essai de fuite en usine avant l'expédition. Un contrôle complet d'étanchéité au gaz doit être réalisé sur le site d'installation en raison d'une mauvaise manipulation possible pendant l'expédition et / ou l'installation, ou à cause d'une pression excessive appliquée au chauffage. Le chauffage doit être vérifié avec une bouteille pleine.

1. Assurez-vous que la vanne de commande de sécurité est en position ARRÊT.
2. Préparez une solution d'eau savonneuse avec une part de détergent et une part d'eau. L'eau savonneuse peut être appliquée avec un pulvérisateur, un pinceau ou un chiffon sur tous les raccords de gaz.

**⚠ AVERTISSEMENT** Ne jamais fumer en faisant un essai de fuite ! En cas de fuite de gaz, l'appareil ne doit pas être utilisé, ou s'il est encore allumé, l'alimentation en gaz doit être coupée et la fuite réparée avant une autre utilisation.

3. Tournez l'alimentation en gaz sur MARCHE. Et vérifiez tous les raccords avec la solution d'eau savonneuse. Des bulles de savon vont apparaître en cas de fuite.
4. En cas de fuite, coupez l'alimentation en gaz. Resserrez les fixations desserrées, puis tournez l'alimentation en gaz sur MARCHE et revérifiez. Si des bulles

apparaissent encore, contactez votre revendeur ou le fournisseur de gaz pour une assistance.

## Instructions d'allumage / de fonctionnement

### Préparation du fonctionnement

1. Sortez l'appareil de chauffage de son emballage et vérifiez l'absence de dégâts de transport. Si vous en trouvez, prévenez immédiatement l'usine.
2. Ouvrez la poignée et le sac en plastique contenant les vis.
3. Fixez la poignée avec les 4 vis fournies à travers les quatre trous en haut de l'appareil. Voir figure 2

**NOTE:** Le tuyau de gaz et le détendeur ne sont PAS fournis avec l'appareil de chauffage.

4. Raccordez le tuyau d'alimentation en gaz au détendeur de pression et raccordez le détendeur à une bouteille de gaz adaptée.
5. Raccordez le tuyau au connecteur à gaz sur le chauffage en tournant la fixation du tuyau dans le sens horaire.
6. Ouvrez la vanne de gaz de la bouteille et contrôlez tous les raccordements avec de l'eau savonneuse comme décrit ci-dessus.
7. Branchez le câble d'alimentation à une source électrique 220V~240V, 50 Hz bien reliée à la terre.

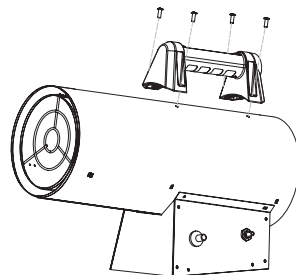
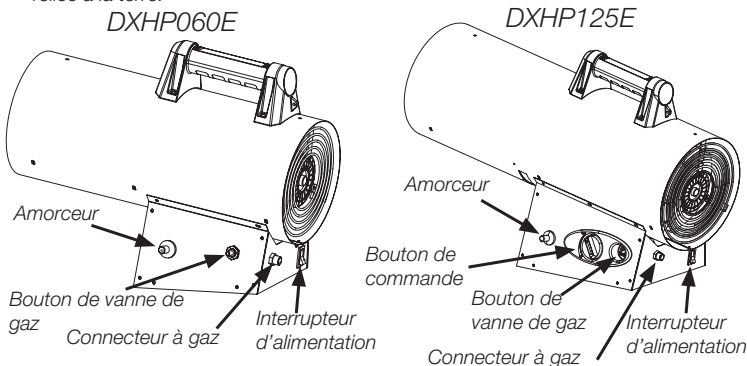


Figure 2  
Bouteille de gaz adaptée.



## Démarrage de l'appareil de chauffage

1. Tournez l'interrupteur d'alimentation en position MARCHE (I) pour démarrer le ventilateur. **NOTE** : Avant d'amorcer le chauffage, toujours laisser le ventilateur du chauffage (soufflerie) tourner pendant 20 secondes pour purger le combustible.
2. Ouvrez lentement la vanne principale sur la bouteille de gaz.
3. Poussez le bouton de vanne de gaz et appuyez sur l'amorceur (allumage piézoélectrique) plusieurs fois jusqu'à allumer la flamme.
4. Une fois le chauffage allumé, laissez le bouton de vanne enfoncé pendant environ 10 secondes. Si le chauffage s'arrête quand vous relâchez le bouton de vanne, attendez une minute, puis renouvelez l'opération de démarrage, en maintenant plus longtemps la pression sur le bouton de vanne.
5. Sur le modèle DXPH125E seulement, tournez le bouton de commande vers le réglage le plus bas. Une fois le chauffage allumé, vous pouvez ajuster le taux de combustion en réglant le bouton de commande au niveau souhaité.

**REMARQUE** : Contactez votre fournisseur si un problème persiste.

**⚠ PRUDENCE** : Si l'amorçage est difficile ou irrégulier avant de répéter les étapes de démarrage, assurez-vous que le ventilateur n'est pas verrouillé et que l'entrée et la sortie d'air ne sont obstruées.

## Arrêt de l'appareil de chauffage

1. Fermez la vanne en sécurité sur la bouteille de propane.
2. Continuez à faire fonctionner l'appareil jusqu'à ce que tout le combustible soit brûlé, puis tournez l'interrupteur d'alimentation en position ARRÊT (O)
3. Débranchez le câble d'alimentation.

**⚠ PRUDENCE** : Toujours couper l'alimentation en combustible :

- Avant de débrancher l'alimentation électrique
- Avant de déplacer l'appareil
- Après chaque utilisation

## REDÉMARRAGE APRÈS UN ARRÊT DE SÉCURITÉ

1. Fermez la vanne en sécurité sur la bouteille de propane. Débranchez le câble d'alimentation.
2. Attendre 5 minutes.
3. Redémarrez en suivant la procédure de « DÉMARRAGE ».

**REMARQUE** : Si une nouvelle bouteille vient d'être raccordée, veuillez attendre au moins une minute ou davantage que l'air dans la conduite de gaz soit purgée à travers l'orifice pilote.

**⚠ AVERTISSEMENT** Gardez toujours un extincteur à poudre chimique à portée de main.

## FONCTIONNEMENT COMME VENTILATEUR

1. L'appareil peut aussi être utilisé comme ventilateur.
2. Dans ce cas, retirez le flexible d'alimentation en gaz et branchez le connecteur de l'appareil dans une prise adaptée.
3. Placez l'interrupteur d'alimentation en position MARCHE (I).

## REPLACEMENT DE LA BOUTEILLE DE GAZ

1. Coupez le chauffage.
2. Fermez la vanne de la bouteille de gaz.
3. Débranchez le détendeur de la bouteille en suivant les instructions fournies avec le détendeur.
4. Remplacez la bouteille.

**⚠ AVERTISSEMENT** : Retirez le bouchon ou le capuchon d'obturation de la vanne de la bouteille et remplacez la bouteille de gaz uniquement dans une zone largement ventilée, à l'écart de toute source d'inflammation (bougie, cigarettes et autres appareils produisant une flamme).

5. Vérifiez la présence et le bon état du joint avant de raccorder le détendeur à la bouteille neuve.
6. Vérifiez que le joint du détendeur est correctement monté et capable de remplir sa fonction.
7. Effectuez un test de fuite à l'aide d'eau savonneuse.

## Maintenance

- Le chauffage doit être contrôlé avant chaque utilisation, au moins chaque année, uniquement par une personne qualifiée. Avant de commencer toute opération de maintenance sur le chauffage, débranchez les alimentations en gaz et en électricité.

**⚠ AVERTISSEMENT** : L'absence de fuites doit être vérifiée sur le système de gaz complet, flexible, détendeur, pilote et brûleur avant chaque utilisation. Mais au moins une fois par mois et à chaque fois que la bouteille de gaz est remplacée. Vérifiez que l'assemblage du flexible ne présente pas de signe d'abrasion extrême, de coupure ou d'usure. Les zones suspectes doivent faire l'objet d'un test de fuite. Si le flexible fuit, il doit être remplacé par un neuf conforme à la législation standard locale. S'il présente des signes de fissures, de fentes ou autres détériorations, il doit être remplacé par un neuf de même longueur et de qualité équivalente. Remplacez le tuyau / flexible de gaz dans l'intervalle décrit avec le flexible.

Si l'appareil n'a pas été utilisé pendant une longue période, nous conseillons de faire effectuer une inspection générale par un technicien avant utilisation. Il est important d'effectuer les points suivants :

1. Vérifiez périodiquement l'état du flexible d'alimentation en gaz et s'il doit être remplacé, utilisez uniquement des pièces d'origine.
2. Vérifiez les raccordements du thermostat de sécurité et du thermocouple : ils doivent toujours être propres. Si nécessaire, nettoyez les pales du ventilateur et l'intérieur du chauffage à l'air comprimé.

## Entretien

Une situation dangereuse peut survenir en cas d'utilisation d'un chauffage qui a été modifié ou qui ne fonctionne pas correctement. Si le chauffage fonctionne correctement :

- \* La flamme est à l'intérieur du chauffage.
- \* La flamme est essentiellement bleue avec peut-être une pointe jaune.
- \* Il n'y a pas d'odeur forte et désagréable, de picotements des yeux ou d'autres désagréments physiques.
- \* Il n'y a pas de fumée ou de suie à l'intérieur ou à l'extérieur du chauffage.
- \* Il n'y a pas de coupures imprévues ou inexplicables du chauffage.

La nomenclature et la vue éclatée présentent le chauffage comme il a été construit. N'utilisez pas d'appareil de chauffage différent de celui qui est présenté. Ainsi, utilisez seulement le flexible, le détendeur et la fixation du raccordement de la bouteille (appelée fixation POL) fournis avec l'appareil de chauffage. **IMPORTANT:** Faites correspondre la bande de couleur sur l'étiquette volante attachée à l'assemblage du flexible avec la couleur de l'étiquette à proximité de la fixation d'arrivée du propane sur le chauffage. N'en utilisez pas d'autres. Pour cet appareil de chauffage, le détendeur est réglé en usine comme indiqué dans les « spécifications ». S'il y a un doute au sujet du réglage du détendeur, faites-le vérifier.

Un chauffage qui ne fonctionne pas bien doit être réparé, mais seulement par une personne expérimentée et formée.

Les produits sous garantie seront réparés gratuitement, pièces et la main-d'œuvre. Veuillez inclure une courte déclaration indiquant, la date et le lieu d'achat, la nature du problème et la preuve de l'achat.

Les produits sous garantie seront réparés gratuitement, pièces et la main-d'œuvre.

## Entreposage

- Assurez-vous que le chauffage est en position arrêt.
- Coupez le gaz sur la(les) bouteille(s) de gaz propane si le chauffage n'est pas utilisé.
- Débranchez la bouteille de gaz du chauffage au gaz.
- Entreposez la bouteille de gaz dans un endroit sec, frais, sombre et bien ventilé. Il faut installer solidement des bouchons de vanne filetés sur une bouteille débranchée. Placez-la loin de matières inflammables, explosives ou chaudes, et de préférence pas dans la maison. En plus, elle ne doit jamais être entreposée au sous-sol ou au grenier.
- La bouteille doit être entreposée hors de portée des enfants.
- N'entreposez pas et n'utilisez pas d'essence ou d'autres vapeurs inflammables à proximité de cet appareil ou de tout autre appareil.
- Si le chauffage doit être entreposé à l'extérieur, le raccordement entre la(les) bouteille(s) de gaz propane et le chauffage doit être débranché et la(les) bouteille(s) retirée(s) du chauffage et entreposée(s) à l'extérieur.
- Vérifiez que la vanne de gaz est bien serrée et l'absence de dommages. Si vous suspectez un dommage, faites-la remplacer par votre revendeur de gaz.

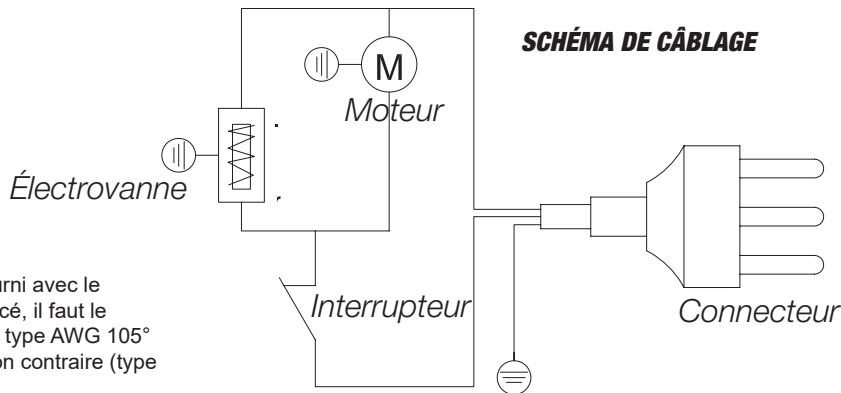
## Nettoyage et entretien

**⚠️ AVERTISSEMENT :** Assurez-vous que le chauffage est en position ARRÊT et froid. Ne nettoyez pas le chauffage avec des nettoyeurs combustibles ou corrosifs.

- Essuyez les surfaces recouvertes de poudre avec un chiffon doux et humide et de l'eau savonneuse.
- Retirez les débris et les nids d'araignées et d'insectes de l'ouverture de la ventilation dans le logement de la bouteille, le compartiment de commande, le brûleur et les voies de circulation de l'air de l'appareil avec un cure-pipe robuste, ou à l'air comprimé, pour maintenir l'appareil propre pour une utilisation en sécurité.
- Ne jamais nettoyer les ports et les autres ouvertures avec des cure-dents ou d'autres objets qui vont se casser et obstruer les ports.



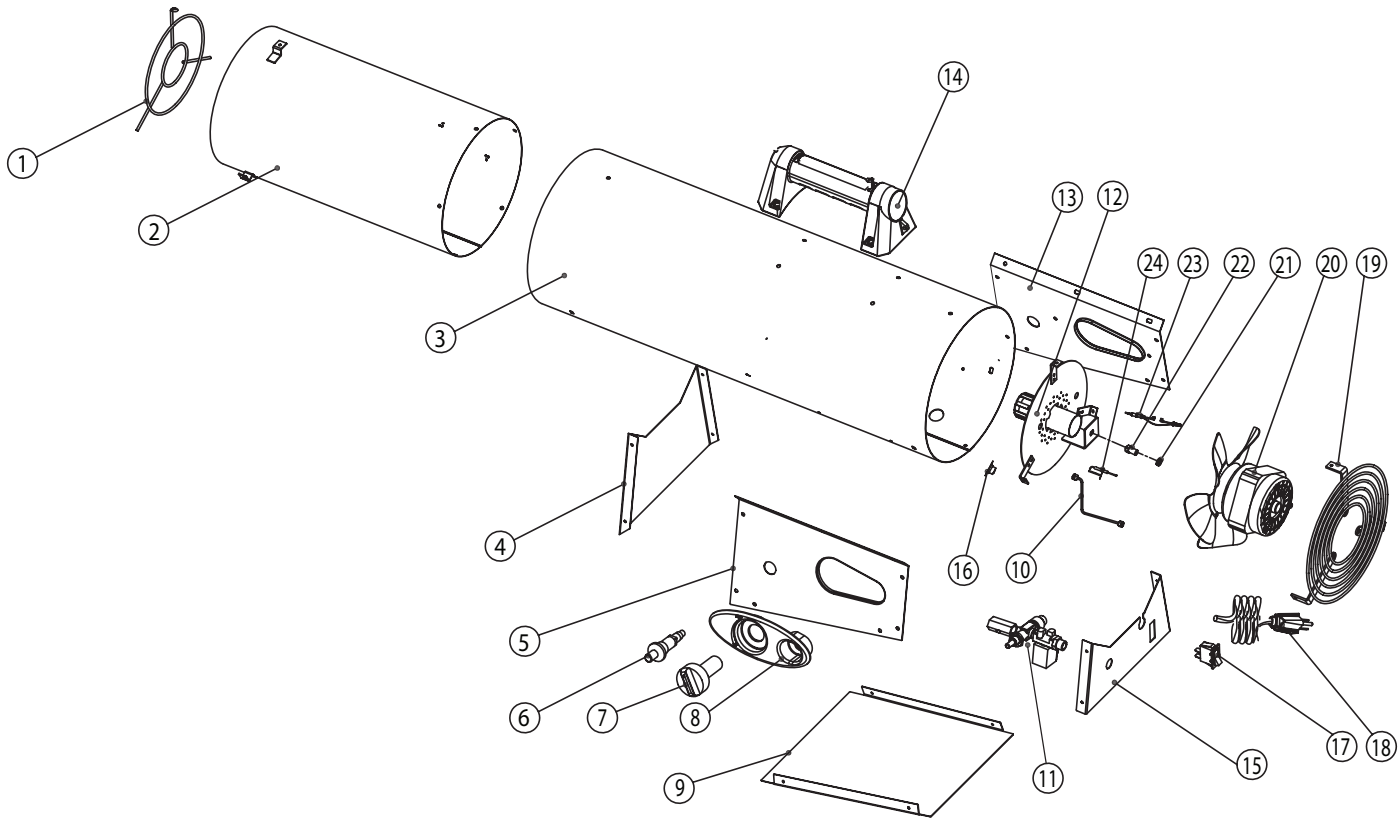
PROBLÈME	CAUSE	SOLUTIONS
Le moteur ne fonctionne pas	Pas d'alimentation électrique	Contrôlez le bornier avec un testeur
Le moteur tourne mais le brûleur ne s'allume pas et après quelques secondes, le chauffage s'arrête	Le robinet de la bouteille de gaz est fermé	Ouvrez le robinet de gaz
	La bouteille est vide	Utilisez une bouteille neuve
	La buse est obstruée	Retirez la buse et nettoyez-la
	L'électrovanne de gaz n'est pas ouverte	Vérifiez que l'électrovanne fonctionne
	Il n'y a pas d'étincelle	Vérifiez la position de l'électrode
Le brûleur s'allume, mais le chauffage s'arrête après quelques secondes	Le chauffage n'est pas relié à la terre correctement	Vérifiez et le raccorder correctement
	Raccordement défectueux entre le capteur et le dispositif de sécurité	Vérifiez et le raccorder correctement
	Dispositif de sécurité défectueux	Remplacez le dispositif de sécurité
Le chauffage s'arrête pendant le fonctionnement	Alimentation en gaz excessive	Vérifiez le réducteur de pression et le cas échéant remplacez-le
	Flux d'air insuffisant	Vérifiez que le moteur fonctionne correctement
	Alimentation en gaz insuffisante à cause d'une formation de glace sur la bouteille	Vérifiez et utilisez une bouteille plus grande ou bien deux bouteilles raccordées ensemble



Si un câblage d'origine fourni avec le chauffage doit être remplacé, il faut le remplacer par un câble de type AWG 105° C ou similaire, sauf mention contraire (type SF 2.200, \*\*SGI-250° C)

NE JAMAIS LAISSER L'APPAREIL DE CHAUFFAGE SANS SURVEILLANCE QUAND IL FONCTIONNE

Français



**NE JAMAIS LAISSER L'APPAREIL DE CHAUFFAGE SANS SURVEILLANCE QUAND IL FONCTIONNE**

**LISTE DES PIÈCES DE RECHANGE DXPH060E ET DXPH125E**

#	60K	125K	Description	Qté	#	60K	125K	Description	Qté
1	20989	20978	Grille de sortie	1	14	40801	40801	Poignée	1
2	20954	20979	Chambre de combustion	1	15	20962	20985	Panneau de base arrière	1
3	20914	20925	Fût extérieur	1	16	20976	20975	Interrupteurs haute température	1
4	20955	20980	Panneau de base avant	1	17	20964	20964	Interrupteur	1
5	20956	20981	Panneau de base gauche †	1	18	20965	20965	Câble d'alimentation électrique (type J)	1
6	20957	20957	Amorceur	1		20966	20966	Câble d'alimentation électrique (type F)	1
7	N/A	20982	Bouton de commande	1		20967	20967	Câble d'alimentation électrique (type G)	1
8	N/A	20983	Panneau décoratif	1	19	20968	20986	Grille d'entrée	1
9	20920	20931	Panneau de base du bas	1	20	20969	20987	Moteur du ventilateur	1
10	20977	20958	Conduite d'alimentation du brûleur	1	21	20970	20970	Écrou d'orifice	1
11	20959	20984	Assemblage de la vanne	1	22	20971	20988	Orifice	1
12	20974	20963	Assemblage du brûleur	1	23	20972	20972	Thermocouple	1
13	20916	20927	Panneau de base de droite (DXPH125E représenté)	1	24	20973	20973	Électrode de l'amorceur	1

NE JAMAIS LAISSER L'APPAREIL DE CHAUFFAGE SANS SURVEILLANCE QUAND IL FONCTIONNE

Français

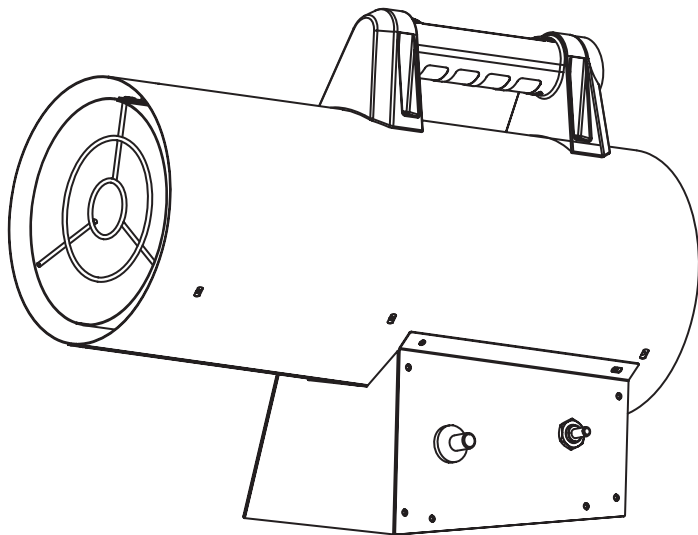
# DEWALT®

## MANUEL D'UTILISATION

### CHAUFFE-GAZ À AIR FORCÉ

DXPH060E

DXPH125E



### ⚠ Avertissement

UTILISEZ UNIQUEMENT DES PIÈCES DE RECHANGE DU FABRICANT. L'UTILISATION D'AUTRES PIÈCES POURRAIT PROVOQUER DES BLESSURES OU LA MORT. LES PIÈCES DE RECHANGE SONT DISPONIBLES UNIQUEMENT À L'USINE ET DOIVENT ÊTRE INSTALLÉES PAR UNE AGENCE DE SERVICE QUALIFIÉE.

### INFORMATIONS SUR LES COMMANDES DE PIÈCES :

ACHAT : les accessoires sont disponibles chez tous les revendeurs locaux DeWALT® ou directement à l'usine

### POUR DES INFORMATIONS CONCERNANT LE SERVICE APRÈS-VENTE :

[www.DEWALT.com](http://www.DEWALT.com)

[www.2helpU.com](http://www.2helpU.com)

Dans toutes les communications, veuillez mentionner le numéro de modèle, la date d'achat et la description du problème.

### GARANTIE LIMITÉE

DeWALT® garantit les défauts de matière et de fabrication sur ses appareils de chauffage et ses accessoires pendant 2 ans à compter de la date d'achat.

DeWALT® réparera ou remplacera le produit gratuitement s'il est prouvé qu'il est défectueux pendant une période de 2 ans, et s'il est renvoyé aux frais du client avec la preuve d'achat à DeWALT® pendant la période de garantie.

En vente dans les pays suivants :



GB



DE



FR



IT



NL



DK



SE



FI



NO

DeWALT®, GUARANTEED TOUGH® et le motif jaune et noir sont des marques déposées de l'entreprise DeWALT Industrial Tool Co., utilisés sous licence. ©2020 DeWALT. EGI/Enerco Group Inc. Sous licence DeWALT Industrial Tool Co



2531/20

EN 1596:1998+A1:2004

2531DL-0078

**NON LASCIARE MAI IL RISCALDATORE INCUSTODITO DURANTE LA COMBUSTIONE!**

*In caso di domande o commenti, contattarci al numero*

***www.DEWALT.com***

MANUALE D'USO

# DEWALT®

LINGUE INCLUSE: INGLESE, TEDESCO, FRANCESE, ITALIANO,  
OLANDESE, FINLANDESE, SVEDESE, NORVEGESE, DANESE

Riscaldatore ad aria forzata a gas DXPH060E, DXPH125E

CE

2531/20  
EN 1596:1998+A1:2004  
2531DL-0078

**CONSERVARE QUESTO MANUALE**

**⚠AVVERTENZA: LEGGERE ATTENTAMENTE IL MANUALE:** Leggere e attenersi a tutte le istruzioni. Posizionare il manuale in un luogo sicuro per un riferimento futuro. Non consentire a nessuno che non abbia letto queste istruzioni di montare, regolare o utilizzare il riscaldatore.

# NON LASCIARE MAI IL RISCALDATORE INCUSTODITO DURANTE LA COMBUSTIONE!

## Definizioni: Linee guida per la sicurezza

Le seguenti definizioni descrivono il livello di gravità di ciascuna parola di avvertenza. Si prega di leggere il manuale e prestare attenzione a questi simboli.

- ⚠ **PERICOLO:** Indica una situazione di pericolo imminente che, se non evitata, **causerà morte o lesioni gravi.**
- ⚠ **AVVERTENZA:** Indica una situazione di pericolo potenziale che, se non evitata, **potrebbe causare morte o lesioni gravi.**
- ⚠ **ATTENZIONE:** Indica una situazione di pericolo potenziale che, se non evitata, **può causare lesioni di media entità.**
- AVVISO:** Indica una pratica non correlata a lesioni personali che, se non evitata, **può provocare danni alla proprietà.**

⚠ **AVVERTENZA:** PERICOLO DI INCENDIO, INALAZIONE E ESPLOSIONE. TENERE COMBUSTIBILI SOLIDI, COME MATERIALI DA COSTRUZIONE, CARTA O CARTONE A UNA DISTANZA SICURA LONTANO DAL RISCALDATORE COME CONSIGLIATO DALLE ISTRUZIONI. NON UTILIZZARE MAI IL RISCALDATORE IN SPAZI CHE POSSONO CONTENERE COMBUSTIBILI VOLATILI O AEREI O PRODOTTI COME BENZINA, SOLVENTI, DILUENTE PER VERNICIATURA, PARTICELLE, POLVERI O PRODOTTI CHIMICI SCONOSCIUTI.

### ⚠ **AVVERTENZA: PERICOLO GENERICO**

IL MANCATO RISPETTO DELLE PRECAUZIONI E DELLE ISTRUZIONI INDICATE CON QUESTO RISCALDATORE, PUÒ CAUSARE MORTE, GRAVI LESIONI E PERDITE DI PROPRIETÀ O DANNI PER INCENDIO, ESPLOSIONE, USTIONI, ASFISSIA, AVELENAMENTO DA MONOSSIDO DI CARBONIO E/O SCOSSE ELETTRICHE. SOLO SOGGETTI CHE POSSONO CAPIRE E ATTENERSI ALLE ISTRUZIONI POSSONO UTILIZZARE O EFFETTUARE LA RIPARAZIONE DI QUESTO RISCALDATORE.

IN CASO DI ASSISTENZA O INFORMAZIONI SUL RISCALDATORE, COME UN MANUALE D'USO, ETICHETTE, ECC. CONTATTARE IL PRODUTTORE. CONSERVARE IL PRESENTE MANUALE PER RIFERIMENTO FUTURO.

⚠ **AVVERTENZA:** QUESTO RISCALDATORE È PENSATO SOLO PER USO ESTERNO. UN'AMPIA AREA VENTILATA DEVE DISPORRE DI UN MINIMO DEL 25% DI SUPERFICIE APERTA. L'AREA DELLA SUPERFICIE È LA SOMMA DELLA SUPERFICIE DELLE PARETI.

⚠ **AVVERTENZA:** DA NON UTILIZZARE PER IL RISCALDAMENTO DI AREE ABITABILI DI LOCALI DOMESTICI; PER L'UTILIZZO IN EDIFICI PUBBLICI FARE RIFERIMENTO AL REGOLAMENTO NAZIONALE.

Questo riscaldatore è costruito in conformità alle relative disposizioni nella norma EN1596: 1998/A1: 2004. INSTALLARE QUESTO DISPOSITIVO SOLO QUANDO È CONFORME ALLA NORMATIVA LOCALE/NAZIONALE, ALLE ORDINANZE E AGLI STANDARD.

## INDICE

AVVERTENZE	2
SPECIFICHE TECNICHE DEL RISCALDATORE	3
AVVERTENZE DISSOLVENZA ODORI	4
PRECAUZIONI DI SICUREZZA	5
ISTRUZIONI DI ACCENSIONE/FUNZIONAMENTO	6
MANUTENZIONE	7
RISOLUZIONE DEI PROBLEMI	9
SCHEMA DEL CABLAGGIO	9
VISTA ESPLOSA ED ELENCO COMPONENTI	10
GARANZIA LIMITATA	12

# NON LASCIARE MAI IL RISCALDATORE INCUSTODITO DURANTE LA COMBUSTIONE!

## Specifiche tecniche del riscaldatore

Modello	DXPH060E		DXPH125E	
Categoria gas	I3B/P		I3P	
Tipo gas	G30/G31 o miscele		G31	
Consumo gas (max.)	G30 1310 g/h	G31 1286 g/h	1286 g/h	G30 2547 g/h G31 2501 g/h
Paesi di destinazione	GB, DE, FR, IT, NL, DK, SE, FI, NO		GB, DE, FR, IT, NL, DK, SE, FI, NO	GB, DE, FR, IT, NL, DK, SE, FI, NO
Ingresso calore nominale	18 kW		35 kW	
Pressione in ingresso	1,5Bar			
Paese di origine	Cina			
Dati elettrici	220 - 240V 50Hz 29W		220 - 240V 50Hz 44W	
PIN	2531DL-0078			
Classe IP	IPx4			
Connettore ingresso gas	G 1/4 LH			

**NOTA:** La portata termica del modello DXPH125E è regolabile da 20kW a 35kW.





## AVVERTENZA

### Pericolo di asfissia

- Non utilizzare in aree non ventilate
- Il flusso di aria di combustione e di ventilazione non deve essere ostruito
- Deve essere fornita un'adeguata aria di ventilazione per supportare i requisiti dell'aria di combustione del riscaldatore in uso.
- Fare riferimento alla sezione delle specifiche del manuale del riscaldatore, alla relativa scheda tecnica o contattare la fabbrica per determinare i requisiti di ventilazione dell'aria di combustione del riscaldatore.
- La mancanza di un'adeguata aria di ventilazione provoca una combustione impropria.
- Una combustione impropria può provocare avvelenamento da monossido di carbonio con conseguenti lesioni gravi o mortali. I sintomi di avvelenamento da monossido.
- Utilizzare solo in un'area ben ventilata e lontano da combustibili materiali.
- Assicurarsi che la ventola funzioni correttamente prima di accendere il riscaldatore.

## Odore di gas combustibile

I gas di propano liquido e gas naturale hanno odoranti artificiali aggiunti appositamente per il rilevamento di perdite di gas combustibile. Se si verifica una perdita di gas, si dovrebbe essere in grado di sentire l'odore del gas combustibile. Poiché il propano (LP) è più pesante dell'aria, è necessario sentire l'odore di gas in basso sul pavimento. **QUALSIASI ODORE DI GAS È UN SEGNALE DI NECESSITÀ DI INTERVENTO IMMEDIATO!**

- Non intraprendere alcuna azione che potrebbe incendiare il gas combustibile.
- Non utilizzare alcun interruttore elettrico.
- Non tirare alcun cavo di alimentazione o prolunga.
- Non accendere fiammiferi o altre fonti che causano una fiamma.
- Non utilizzare il telefono.
- Portare immediatamente tutti fuori dall'edificio e lontano dall'area. Chiudere tutte le valvole di alimentazione del carburante o bombole di gas propano (G31) o la valvola di alimentazione del carburante principale situata sul misuratore se si utilizza gas naturale.
- Il gas propano (G31) è più pesante dell'aria e può depositarsi in aree basse. Quando si

sospetta una perdita di propano, tenersi lontani da tutte le aree basse. Utilizzare il telefono lontano dall'area della perdita e contattare il fornitore di gas combustibile e i vigili del fuoco. Non rientrare nell'edificio o nell'area.

- Stare fuori dall'edificio e allontanarsi dall'area fino a quando i vigili del fuoco e il fornitore di gas combustibile non li dichiarano sicuri.
- INFINE, fare in modo che la persona dell'assistenza del gas combustibile e i vigili del fuoco controllino l'eventuale fuoriuscita di gas. Far loro areare l'edificio e l'area prima di rientrare. Gli addetti alla manutenzione adeguatamente formati devono riparare eventuali perdite, verificare la presenza di ulteriori perdite e quindi riaccendere l'apparecchio.

## Dissolvenza degli odori - Nessun odore rilevato

- Alcune persone potrebbero non respirare bene Alcune persone non sentono l'odore della sostanza chimica prodotta dall'uomo aggiunta al gas propano (G31). È necessario determinare se è possibile sentire l'odore della sostanza odorizzante di questi gas combustibili.
- Imparare a riconoscere l'odore del gas propano (G31).
- **Il fumo può ridurre la capacità di sentire gli odori. Stare vicino a un odore per un lasso di tempo può influire sulla propria sensibilità a quel particolare odore. Gli odori presenti negli edifici di isolamento possono mascherare l'odore di gas combustibile.**
- La sostanza odorizzante del gas propano (G31) è incolore e l'intensità del suo odore può attenuarsi in alcune circostanze. Se vi è una perdita sotterranea, il movimento del gas nel suolo può filtrare la sostanza odorizzante.
- L'odore di gas propano (G31) può differire in intensità a diversi livelli. Poiché il gas propano (G31) è più pesante dell'aria, potrebbe esserci più odore ai livelli più bassi.
- **Prestare sempre attenzione al minimo odore di gas.** Se si continua a rilevare qualsiasi odore di gas, non importa quanto ridotto, considerarlo come una perdita grave. Comportarsi immediatamente come descritto in precedenza.

## ATTENZIONE- - Indicazioni fondamentali da ricordare!

- Il gas propano (LP) ha un odore distintivo. Imparare a riconoscere questi odori. (Consultare le sezioni Dissolvenza di odore e Odore di gas combustibile su questa stessa pagina)
- Anche se non si è adeguatamente formati nella riparazione e nella manutenzione del riscaldatore, essere SEMPRE ben consapevoli degli odori del gas propano (G31) e del gas naturale.
- Se non si è stati adeguatamente formati in merito alla riparazione e alla manutenzione del gas propano (G31) o della miscela butano/propano (G30+G31), non tentare di accendere il riscaldatore, eseguire interventi di assistenza o riparazione o apportare modifiche al riscaldatore sul sistema di alimentazione del gas propano (G31) o miscela butano/propano (G30+G31).
- Un test periodico di ispezione olfattiva attorno al riscaldatore o alle giunture del riscaldatore (tubo, collegamenti, ecc.) è una buona pratica di sicurezza in qualsiasi condizione. Se si sente l'odore anche di una piccola quantità di gas, **CONTATTARE IMMEDIATAMENTE IL FORNITORE DI GAS COMBUSTIBILE. NON ASPETTARE!**



## Precauzioni di sicurezza

**L'APPARECCHIO IN USO É UN APPARECCHIO RISCALDANTE. NON TENTARE DI SCALDARE O CUCINARE ALIMENTI SU QUESTO RISCALDATORE.**

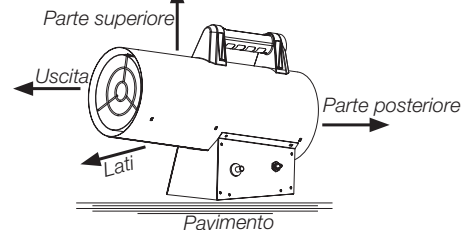
1. Controllare con attenzione il riscaldatore per eventuali danni. **NON** azionare un riscaldatore danneggiato.
2. **NON** modificare il riscaldatore o azionare un riscaldatore che sia stato modificato rispetto alla propria condizione originale.
3. Usare solo gas propano.
4. Usare solo fornitura di propano con **FUORIUSCITA DI VAPORE**. In caso di domande sulla fuoriuscita del vapore, contattare il proprio rifornitore di gas propano.
5. Montare i cilindri del propano in verticale (valvola di intercettazione rivolta verso l'alto). Proteggerli dalla caduta o dal rovesciamento e dai danni.
6. Questo riscaldatore è pensato solo per l'uso esterno. Un'ampia area ventilata deve disporre di un minimo del 25% di superficie aperta. L'area della superficie è la somma della superficie delle pareti.
7. Se in qualsiasi momento viene rilevato un odore di gas, interrompere **IMMEDIATAMENTE** il funzionamento fino a quando la fonte di gas non viene individuata e corretta.
8. Mantenere una distanza minima dal normale materiale combustibile secondo i requisiti indicati nella Figura 1.
9. A causa delle elevate temperature superficiali e di scarico, bambini e animali domestici devono essere tenuti lontano da questo apparecchio durante l'uso.
10. Azionare solo su una superficie piana e stabile.
11. Utilizzare solo l'energia elettrica specificata. Se il cavo di alimentazione è danneggiato, deve essere riparato dal produttore, dal suo agente dell'assistenza o da persone analogamente qualificate al fine di evitare pericoli.
12. Utilizzare solo una presa a 3 poli o una prolunga correttamente collegati a terra.
13. Non spostare, maneggiare o riparare mentre è caldo o durante la combustione.
14. Installare questo dispositivo e conservare il cilindro a gas in conformità alle normative, alle ordinanze e alle norme locali/nazionali.
15. Non coprire l'apparecchio durante l'uso.
16. Non utilizzare l'apparecchio senza le protezioni anteriore e posteriore in posizione. Le protezioni sono progettate per la protezione.
17. In caso di vento violento, prestare particolare attenzione all'inclinazione dell'apparecchio.
18. Far eseguire qualsiasi riparazione e/o manutenzione esclusivamente da un tecnico dell'assistenza riconosciuto.
19. Questo apparecchio è progettato per l'utilizzo del regolatore del gas da 1,5 bconformemente alla norma EN 16129 e ai requisiti di rivelazione. In caso di dubbi, contattare il rivenditore locale.

## Requisiti per la ventilazione

- Per ogni kW è necessario disporre di ventilazione costante di 25 cm<sup>2</sup>, equamente distribuita tra il pavimento e un livello superiore, con un'uscita minima di 250 cm<sup>2</sup>.
- Non dirigere mai il flusso di aria calda verso il cilindro.
- Non usare mai il riscaldatore senza coperchio.
- Non superare i 100 W/m<sup>2</sup> di spazio libero. Il volume minimo della stanza deve essere maggiore di 100 m<sup>3</sup>.
- Il riscaldatore deve essere posizionato dove non vi è rischio di incendio. L'uscita dell'aria calda deve trovarsi ad almeno 3 m da qualsiasi parete o soffitto infiammabile e non deve mai essere diretta verso il cilindro del gas. In caso di dubbi, contattare il proprio fornitore.
- Non utilizzare delle condotte. Non ostruire le sezioni di ingresso o uscita del riscaldatore.
- Non utilizzare il riscaldatore in cantine, scantinati o in qualsiasi stanza al di sotto del livello del suolo.
- Se il riscaldatore deve funzionare per un lungo periodo alla massima capacità, è possibile che si formi del ghiaccio sul cilindro. Ciò è dovuto all'eccessivo utilizzo di vapore. Non per questo motivo, né per nessun altro, il cilindro deve essere caldo. Per evitare questo effetto, o almeno per ridurlo, utilizzare un cilindro grande o due cilindri collegati tra loro.
- **Il produttore non è responsabile di eventuali danni o lesioni se non si presta attenzione a quando sopra indicato. L'uso di questo prodotto e degli elementi richiesti a tale scopo è interamente a rischio dell'utente finale.**

**Figura 1: Distanze minime da materiale combustibile**

Dall'uscita	Dai lati	Dalla parte superiore	Dalla parte posteriore
3,5m	2m	2m	2,5m



# NON LASCIARE MAI IL RISCALDATORE INCUSTODITO DURANTE LA COMBUSTIONE!

## Requisiti per il gas

- Usare solo gas propano, butano o relative miscele. Vedere l'etichetta con i valori nominali sull'apparecchio.
- L'apparecchio richiede un tubo del gas approvato di lunghezza <150 cm e un regolatore del gas. Il gruppo tubo flessibile e regolatore deve essere conforme ai codici degli standard locali.
- La pressione massima di ingresso del regolatore non deve superare i 690 kPa.
- Il collegamento gas 0,635 cm LH deve essere utilizzato con un regolatore da 1,5 bar. Il collegamento gas 0,9525 cm LH deve essere utilizzata con un regolatore da 0-2 bar (quando necessario).
- Questo apparecchio è progettato per cilindri di gas fino a 15 kg.
- Un cilindro di gas ammaccato, arrugginito o danneggiato può essere pericoloso e deve essere controllato da uno specialista del gas autorizzato. Non utilizzare mai un cilindro di gas con una valvola danneggiata.
- Non collegare mai un cilindro di gas non regolato al riscaldatore.
- Non torcere mai i tubi flessibili e i flessibili. Lo stress torsionale su tubi e tubi flessibili può causare perdite di gas nel tempo.
- L'installazione della bombola del gas deve essere conforme ai codici locali, o in assenza di codici locali, allo standard per lo stoccaggio e la manipolazione di gas di petrolio liquido.
- Scollegare il cilindro del gas quando non si utilizza il riscaldatore.
- Isolare l'apparecchio dalla bombola tramite la valvola di intercettazione della bombola quando non è in funzione.

## Test delle perdite

I collegamenti del gas sul riscaldatore sono sottoposti a prova di tenuta in fabbrica prima della spedizione. Un controllo completo della tenuta del gas deve essere eseguito nel luogo di installazione per valutare una possibile gestione errata della spedizione e/o dell'installazione o a causa dell'eccessiva pressione applicata al riscaldatore. Il riscaldatore deve essere controllato con un cilindro pieno.

1. Accertarsi che la valvola di controllo di sicurezza sia su "OFF".
2. Preparare una soluzione di acqua e sapone con una parte di detergente liquido e una di acqua. La soluzione di acqua saponata può essere applicata con un flacone spray, una spazzola o uno straccio su tutti i collegamenti del gas  
**⚠AVVERTENZA:** Non intraprendere mai il test delle perdite quando si sta fumando! In caso di perdita di gas, l'apparecchio non deve essere utilizzato o, se ancora acceso, l'alimentazione del gas deve essere interrotta e la perdita riparata prima di poter essere riutilizzato.
3. Attivare l'alimentazione del gas. Controllare tutti i collegamenti con la soluzione di acqua saponata. Le bolle di sapone appariranno in caso di perdite.
4. In caso di perdita, chiudere l'alimentazione del gas. Stringere eventuali raccordi con perdite, quindi accendere l'alimentazione del gas e ricontrrollare. Contattare il rivenditore o il fornitore di gas per assistenza se continuano ad apparire bolle.

## Istruzioni di accensione/funzionamento

### Preparazione per il funzionamento

1. Rimuovere il riscaldatore dalla confezione e verificare la presenza di danni durante la spedizione. In presenza di danni, avvisare immediatamente la fabbrica.
  2. Aprire la maniglia e avvitare il sacchetto di plastica.
  3. Fissare la maniglia al riscaldatore con le quattro viti fornite attraverso i quattro fori nella parte superiore dell'unità. Vedere la Figura 2
- NOTA:** Il tubo del gas e il regolatore del gas NON sono inclusi con il riscaldatore.
4. Collegare il tubo di alimentazione del gas al regolatore di pressione e collegare il regolatore a un cilindro del gas adatto.
  5. Collegare il tubo al connettore del gas sul riscaldatore ruotando il raccordo del tubo in senso orario.
  6. Aprire la valvola del gas del cilindro e controllare tutti i collegamenti del gas con una soluzione di acqua e sapone come descritto sopra.
  7. Collegare il cavo di alimentazione a una fonte di alimentazione ben collegata da 220 V ~ 240 V, 50 Hz.

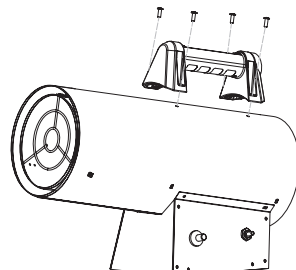
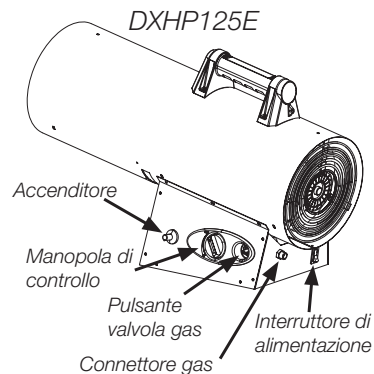
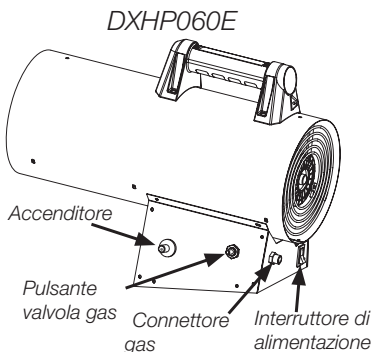


Figure 2



## Avviare il riscaldatore

1. Ruotare l'interruttore di alimentazione in posizione ON (I) per avviare la ventola  
**NOTA:** Prima di accendere il riscaldatore, lasciare sempre funzionare la ventola del riscaldatore (ventilatore) per 20 secondi per far uscire il combustibile.
2. Aprire lentamente la valvola principale sul cilindro di propano.
3. Premere il pulsante della valvola del gas e premere ripetutamente l'accenditore (accendino piezoelettrico) fino all'accensione della fiamma.
4. Dopo l'accensione del riscaldatore, tenere premuto il pulsante della valvola per circa 10 secondi. Se il riscaldatore si arresta quando il pulsante della valvola viene rilasciato, attendere un minuto e ripetere l'operazione di avvio, tenendo premuto il pulsante della valvola per un tempo più lungo.
5. Solo sul modello DXPH125E, ruotare la manopola di controllo sull'impostazione più bassa. Dopo l'accensione del riscaldatore, è possibile regolare la velocità di combustione impostando la manopola di controllo sul livello desiderato.

**NOTA:** contattare il proprio fornitore in caso di problemi continui

**⚠ATTENZIONE:** Se l'accensione è difficile o irregolare prima di ripetere le fasi di avvio, assicurarsi che la ventola non sia bloccata e che l'ingresso e l'uscita dell'aria non siano ostruiti.

## Spegnere il riscaldatore

1. Chiudere saldamente la valvola sul cilindro di propano.
2. Continuare a far funzionare il riscaldatore fino a quando tutto il combustibile nel tubo non è bruciato, quindi portare l'interruttore di alimentazione in posizione OFF (O).
3. Scollegare il cavo di alimentazione.

**⚠ATTENZIONE** Chiudere sempre l'alimentazione del combustibile:

- Prima di scollegare l'alimentazione elettrica
- Prima di spostare l'apparecchio
- Dopo ogni utilizzo

## RIAVVIO DOPO L'ARRESTO DI SICUREZZA

1. Chiudere saldamente la valvola sul cilindro di propano. Scollegare il cavo di alimentazione.
2. Attendere 5 minuti.
3. Riavviare attenendosi alla procedura "AVVIO".

**NOTA:** Se è stato appena collegato un nuovo serbatoio, attendere almeno un minuto o più affinché l'aria nel condotto del gas fuoriesca attraverso il foro della fiammella.

**⚠AVVERTENZA:** Tenere sempre a portata di mano un estintore a secco.

## FUNZIONAMENTO DELLA VENTOLA

1. L'apparecchio può essere utilizzato anche come ventilatore.
2. In questo caso, rimuovere il tubo di alimentazione del gas e collegare la spina del riscaldatore a una presa elettrica adatta.
3. Posizionare l'interruttore di accensione su ON (I).

## SOSTITUZIONE DEL CILINDRO A GAS

1. Spegner il riscaldatore.
2. Chiudere la valvola del cilindro a gas.
3. Scollegare il regolatore dal cilindro attenendosi alle istruzioni fornite con il regolatore.
4. Sostituire il cilindro

**⚠AVVERTENZA:** Rimuovere la presa o il tappo di tenuta dalla valvola del cilindro e sostituire il cilindro del gas in un'area ben ventilata, lontano da qualsiasi fonte di accensione (candele, sigarette e altri apparecchi che producono fiamma).

5. Verificare la presenza e il buono stato della guarnizione prima di collegare il regolatore al nuovo cilindro.
6. Verificare che la guarnizione del regolatore sia montata correttamente e in grado di svolgere la propria funzione.
7. Eseguire un test di tenuta utilizzando una soluzione di acqua saponata.

## Manutenzione

- Il riscaldatore deve essere ispezionato prima di ogni utilizzo, e almeno una volta all'anno, solo da una persona qualificata. Prima di iniziare qualsiasi operazione di manutenzione sul riscaldatore, scollegarlo da fonti di gas e prese elettriche.

**⚠AVVERTENZA:** L'intero sistema a gas, il tubo flessibile, il regolatore, la fiammella e il bruciatore devono essere ispezionati per individuare eventuali perdite prima dell'uso. Ripetere l'operazione almeno una volta al mese e ogni volta che il cilindro del gas viene cambiato. Controllare l'assieme del tubo flessibile per segni di estrema abrasione, tagli o usura. Le aree sospette devono essere testate per l'eventuale presenza di perdite. Se il tubo perde, deve essere sostituito con uno nuovo conforme ai codici degli standard locali). Se sono presenti segni di crepe, spaccature o altri deterioramenti, deve essere sostituito con un nuovo tubo flessibile della stessa lunghezza e di qualità equivalente. Sostituire il tubo flessibile/tubo del gas entro l'intervallo descritto con il tubo.

Se l'unità non viene utilizzata per un lungo periodo, si consiglia di far eseguire un controllo generale prima dell'uso da un tecnico. È importante attenersi alle seguenti operazioni:

1. Controllare periodicamente le condizioni del tubo di alimentazione del gas e, in caso di sostituzione, utilizzare solo ricambi originali.
2. Controllare i collegamenti del termostato di sicurezza e della termocoppia: devono essere sempre puliti. Se necessario, pulire la pala della ventola e l'interno del riscaldatore con aria compressa.

## Riparazione

Una condizione pericolosa può verificarsi se viene utilizzato un riscaldatore modificato o che non funziona correttamente. Quando il riscaldatore funziona correttamente:

- \* La fiamma rimane all'interno del riscaldatore.
- \* La fiamma è essenzialmente blu con forse qualche punta gialla.
- \* Non c'è forte odore sgradevole, bruciore agli occhi o altri disagi fisici.
- \* Non c'è fumo o fuliggine all'interno o all'esterno del riscaldatore.
- \* Non ci sono arresti non programmati o inspiegabili del riscaldatore.

Gli elenchi delle parti e la vista esplosa mostrano il riscaldatore durante la sua costruzione. Non utilizzare un riscaldatore diverso da quello mostrato. A questo proposito, utilizzare solo il raccordo del flessibile, del regolatore e del cilindro (chiamato raccordo POL) fornito con il riscaldatore. **IMPORTANTE** Abbinare la striscia colorata sull'etichetta di sospensione attaccata al gruppo del tubo flessibile con il colore sull'etichetta situata vicino al raccordo di ingresso del propano sul riscaldatore. Non usare sostituzioni. Per questo riscaldatore, il regolatore viene impostato in fabbrica come mostrato in "Specifiche tecniche". In caso di incertezza sull'impostazione del regolatore, farlo controllare.

Un riscaldatore che non funziona correttamente deve essere riparato, ma solo da un tecnico qualificato ed esperto.

I prodotti in garanzia saranno riparati gratuitamente per parti o manodopera. Si prega di includere una breve dichiarazione indicante la data, il luogo di acquisto, la natura del problema e la prova di acquisto.

I prodotti non coperti da garanzia saranno riparati gratuitamente con un cambio dei componenti e manodopera.

## Conservazione

- Accertarsi che il riscaldatore sia spento.
- Spegnerne il gas sui cilindri di alimentazione del gas LP quando il riscaldatore non è in uso.
- Scollegare il contenitore del gas dal riscaldatore a gas.
- Conservare il contenitore del gas in un luogo fresco, asciutto, buio e ben ventilato. Un cilindro scollegato deve avere i tappi delle valvole filettati ben serrati. Posizionarlo lontano da materiali infiammabili, esplosivi o caldi e preferibilmente non in casa. Inoltre, non dovrebbe mai essere conservato nel seminterrato o in soffitta.
- Il cilindro deve essere conservato fuori dalla portata dei bambini.
- Non conservare o utilizzare benzina o altri vapori e liquidi infiammabili nelle vicinanze di questo o di altri apparecchi.
- Quando il riscaldatore deve essere riposto in ambienti chiusi, il collegamento tra i cilindri di alimentazione del gas LP e il riscaldatore deve essere scollegato e i cilindri rimossi dal riscaldatore e riposti all'esterno delle porte.
- Controllare la tenuta della valvola del gas e la presenza di danni. Se si sospetta un danno, farlo cambiare dal proprio rivenditore di gas.

## Pulizia e cura

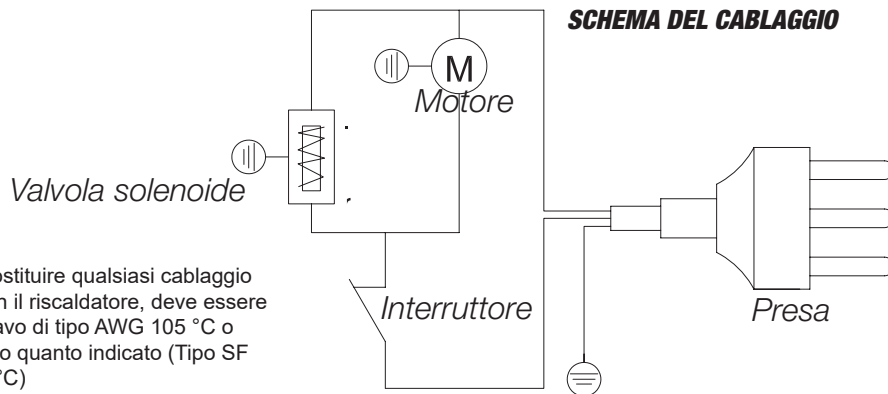
**⚠️AVVERTENZA:** Accertarsi che il riscaldatore sia spento e freddo. Non pulire il riscaldatore con detergenti combustibili o corrosivi.

- Pulire le superfici verniciate a polvere con un panno morbido e umido e acqua saponata.
- Rimuovere i detriti e i nidi di ragno e insetti nell'apertura di ventilazione dell'alloggiamento del cilindro, dal vano di controllo, dal bruciatore e dai passaggi dell'aria di circolazione del riscaldatore con un detergente per tubi resistente a aria compressa per mantenere l'apparecchio pulito e sicuro per l'uso.
- Non pulire mai le porte o altre aperture con stuzzicadenti o altro strumento che possa rompere e bloccare le porte.

# NON LASCIARE MAI IL RISCALDATORE INCUSTODITO DURANTE LA COMBUSTIONE!

## Risoluzione dei problemi

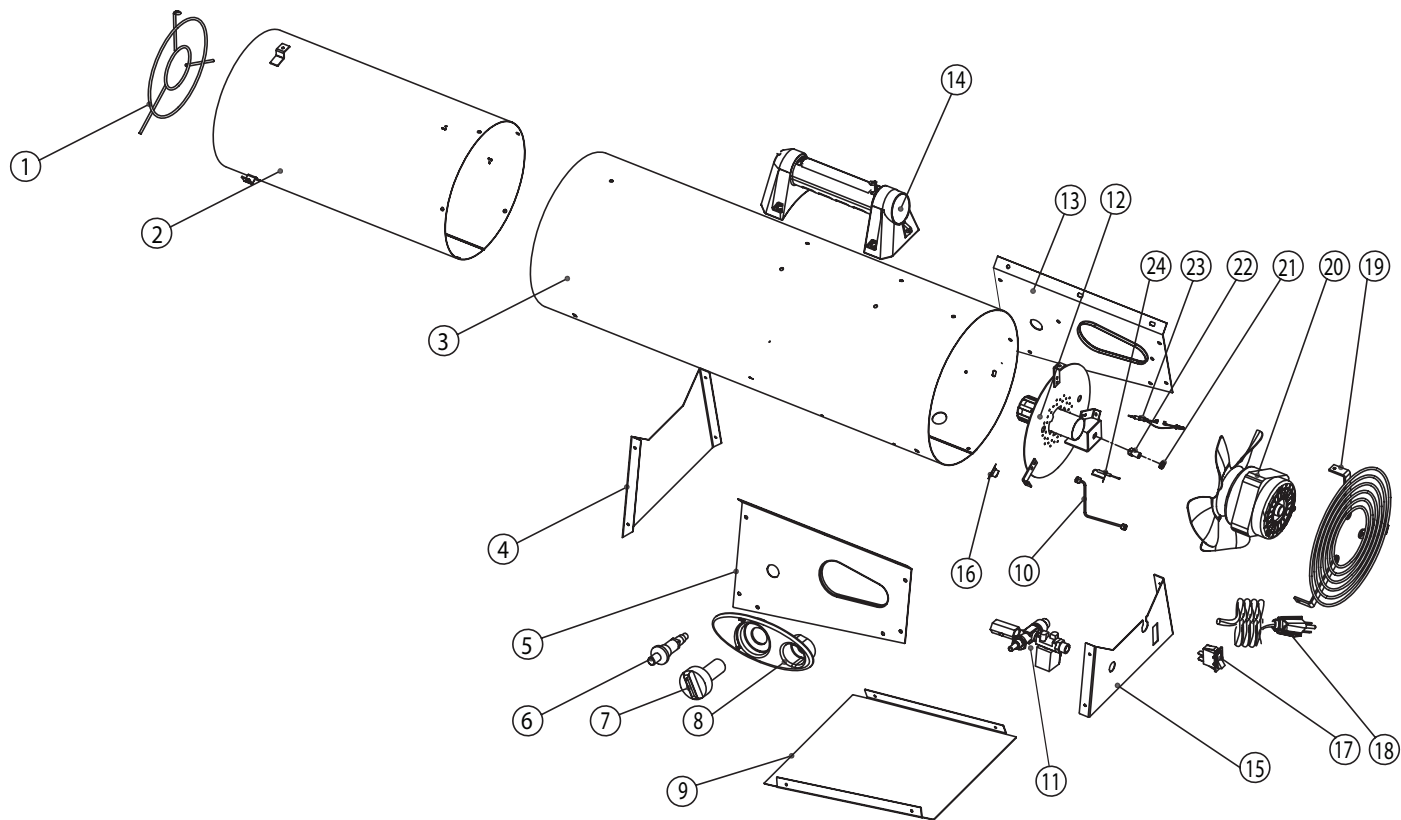
PROBLEMA	CAUSA	SOLUTIONS
Il motore non funziona	Non vi è corrente elettrica	Controllare la morsettiera con un tester
Il motore non funziona Non vi è corrente elettrica Controllare la morsettiera con un tester	Il rubinetto del gas del cilindro è chiuso	Aprire il rubinetto del gas
	Il cilindro è vuoto	Usare un nuovo cilindro
	L'ugello è ostruito	Rimuovere l'ugello e pulirlo
	L'elettrovalvola del gas non è aperta	Verificare che l'elettrovalvola funzioni
	Non vi è nessuna scintilla	Controllare la posizione dell'elettrodo
Il bruciatore si accende, ma dopo alcuni secondi il riscaldatore si arresta	Riscaldatore non correttamente collegato a terra	Controllare e collegare in modo adeguato
	Collegamento difettoso tra sensore e dispositivo di sicurezza	Controllare e collegare in modo adeguato
	Dispositivo di sicurezza difettoso	Sostituire il dispositivo di sicurezza
Il riscaldatore si arresta durante il funzionamento	Eccessiva fornitura di gas	Controllare il riduttore di pressione e, se necessario, sostituirlo
	Flusso d'aria insufficiente	Controllare che il motore funzioni in modo adeguato
	Fornitura di gas insufficiente a causa della formazione di ghiaccio sul cilindro	Controllare e utilizzare un cilindro più grande o due cilindri collegati insieme



Se è necessario sostituire qualsiasi cablaggio originale fornito con il riscaldatore, deve essere sostituito con un cavo di tipo AWG 105 °C o equivalente, eccetto quanto indicato (Tipo SF 2.200, \*\* SGI-250 °C)

**NON LASCIARE MAI IL RISCALDATORE INCUSTODITO DURANTE LA COMBUSTIONE!**

**Italiano**



# NON LASCIARE MAI IL RISCALDATORE INCUSTODITO DURANTE LA COMBUSTIONE!

## ELENCO COMPONENTI DI RICAMBIO DXPH060E & DXPH125E

#	60K	125K	Descrizione	Qtà.	#	60K	125K	Descrizione	Qtà.
1	20989	20978	Fermo della presa	1	14	40801	40801	Maniglia	1
2	20954	20979	Camera di combustione	1	15	20962	20985	Pannello posteriore alla base	1
3	20914	20925	Barilotto esterno	1	16	20976	20975	Finecorsa alto	1
4	20955	20980	Pannello frontale alla base	1	17	20964	20964	Switch	1
5	20956	20981	Pannello sinistro alla base (mostrato DXPH125E)	1	18	20965	20965	Cavo fornitura elettrica (tipo J)	1
6	20957	20957	Accenditore	1		20966	20966	Cavo fornitura elettrica (tipo F)	1
7	N/D	20982	Manopola di controllo	1		20967	20967	Cavo fornitura elettrica (tipo G)	1
8	N/D	20983	Pannello decorativo	1	19	20968	20986	Fermo dell'ingresso	1
9	20920	20931	Pannello inferiore alla base	1	20	20969	20987	Motore della ventola	1
10	20977	20958	Tubo fornitura bruciatore	1	21	20970	20970	Dado orificio	1
11	20959	20984	Assieme valvola	1	22	20971	20988	Orifice	1
12	20974	20963	Assieme bruciatore	1	23	20972	20972	Thermocouple	1
13	20916	20927	Pannello destro alla base (mostrato DXPH125E)	1	24	20973	20973	Elettrodo di accensione	1

**NON LASCIARE MAI IL RISCALDATORE INCUSTODITO DURANTE LA COMBUSTIONE!**

Italiano

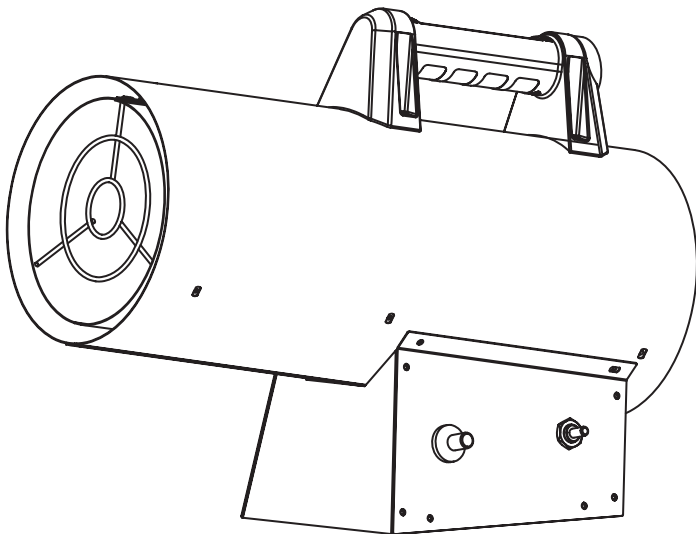
# DEWALT®

**MANUALE D'USO**

**RISCALDATORE AD ARIA FORZATA A GAS**

**DXPH060E**

**DXPH125E**



## **⚠ Avvertenza**

UTILIZZARE SOLO COMPONENTI DI RICAMBIO DEL COSTRUTTORE. L'UTILIZZO DI ALTRE COMPONENTI POTREBBE CAUSARE LESIONI O MORTE. I COMPONENTI DI RICAMBIO SONO DISPONIBILI SOLO DIRETTAMENTE DALLA FABBRICA E DEVONO ESSERE INSTALLATI DA UN CENTRO DI ASSISTENZA QUALIFICATO.

## **INFORMAZIONI ORDINE DI COMPONENTI:**

ACQUISTO: Gli accessori possono essere acquistati presso qualsiasi rivenditore DEWALT® locale o direttamente dalla fabbrica.

## **PER INFORMAZIONI RELATIVE ALL'ASSISTENZA:**

[www.DEWALT.com](http://www.DEWALT.com)

[www.2helpU.com](http://www.2helpU.com)

Includere il numero del modello, la data di acquisto e la descrizione del problema in tutte le comunicazioni.

## **GARANZIA LIMITATA**

DeWALT® garantisce che i propri riscaldatori e accessori sono esenti da difetti di materiale e lavorazione per un periodo di 2 anni dalla data di acquisto.

DeWALT® riparerà o sostituirà questo prodotto gratuitamente se lo si dimostra essere difettoso entro il periodo di 2 anni e viene restituito a spese del cliente con la prova dell'acquisto a DeWALT® entro il periodo di garanzia.

In vendita nei seguenti paesi:



GB



DE



FR



IT



NL



DK



SE



FI



NO

DeWALT®, GUARANTEED TOUGH® e la combinazione di colori giallo e nero sono marchi di DeWALT Industrial Tool Co., utilizzati su licenza. ©2020 DeWALT. EGI/Enerco Group Inc. su licenza di DeWALT Industrial Tool Co



2531/20  
EN 1596:1998+A1:2004  
2531DL-0078



**LAAT EEN BRANDENDE KACHEL NOOIT ONBEHEERD ACHTER!**

*Neem bij vragen of opmerkingen contact op met:*

***www.DEWALT.com***

**GEBRUIKSAANWIJZING**

**DEWALT®**

**BIJGEVOEGDE TALEN:** ENGELS, DUIJS, FRANS, ITALIAANS,  
NEDERLANDS, FINS, ZWEEDS, NOORS, DEENS

**CE**

2531-20  
EN 1596:1998+A1:2004  
2531DL-0078

**Gas geforceerde luchtverwarmer DXP060E, DXP125E**

**BEWAAR DEZE HANDLEIDING**

**⚠ WAARSCHUWING: LEES DEZE GEBRUIKSAANWIJZING ZORGVULDIG:** Lees en volg alle instructies. Bewaar de handleiding op een veilige plek voor toekomstig gebruik. Laat niet iemand die de instructies niet gelezen heeft, de kachel monteren, aanpassen of in werking stellen.

# LAAT EEN BRANDENDE KACHEL NOOIT ONBEHEERD ACHTER!

## Definities: Veiligheidsrichtlijnen

De onderstaande definities beschrijven de mate van ernst voor elk signaalwoord. Lees de handleiding en let op deze symbolen.

⚠ **GEVAAR:** Geeft een dreigende gevaarlijke situatie aan die, indien deze niet wordt vermeden, **de dood of ernstig letsel tot gevolg zal hebben.**

⚠ **WAARSCHUWING:** Geeft een mogelijk gevaarlijke situatie aan die, indien deze niet wordt vermeden, **kan leiden tot ernstig of dodelijk letsel.**

⚠ **PAS OP:** Geeft een mogelijk gevaarlijke situatie aan die, als deze niet wordt vermeden, **kan leiden tot licht of matig letsel.**

**LET OP:** Geeft een gebruik aan dat geen betrekking heeft op persoonlijk letsel en welk, **indien niet vermeden, kan leiden tot materiële schade.**

⚠ **WAARSCHUWING:** VERBRANDINGS-, INADEMINGS- EN EXPLOESIE-GEVAAR. HOUD BRANDBAAR MATERIAAL, ZOALS BOUWMATERIAAL, PAPIER OF KARTON, OP VEILIGE AFSTAND VAN DE KACHEL, ZOALS AANBEVOLEN DOOR DE INSTRUCTIES. GEBRUIK DE KACHEL NOOIT IN RUIMTES DIE VLUCHTIGE OF IN DE LUCHT AANWEZIGE BRANDSTOFFEN BEVATTEN, OF PRODUCTEN ZOALS BENZINE, OPLOSMIDDELEN, VERDUNNER, STOFDEELTJES OF ONBEKENDE CHEMICALIËN.

## ⚠ **WAARSCHUWING: ALGEMEEN GEVAAR**

HET NIET NALEVEN VAN DE VOORZORGSMATREGELEN EN INSTRUCTIES MEEGELEVERD MET DEZE KACHEL KAN LEIDEN TOT DE DOOD, ERNSTIG LETSEL EN SCHADE AAN EIGENDOMMEN OF SCHADE DOOR GEVAAR VOOR BRAND, EXPLOESIE, VERBRANDING, VERSTIKKING, KOOLMONOXIDEVERGIFTIGING EN/OF ELEKTRICITEIT.

ALLEEN PERSONEN DIE DE INSTRUCTIES BEGRIPEN EN OPVOLGEN, MOGEN DEZE KACHEL GEBRUIKEN OF ONDERHOUDEN.

INDIEN U ONDERSTEUNING OF INFORMATIE OVER DE KACHEL NODIG HEEFT ZOALS EEN HANDLEIDING, LABELS, ENZ. NEEM DAN CONTACT OP MET DE FABRIKANT. BEWAAR DEZE INSTRUCTIES VOOR TOEKOMSTIG GEBRUIK.

⚠ **WAARSCHUWING:** DEZE KACHEL IS UITSLUITEND VOOR BUITENSHUIS GEBRUIK. EEN VOLLEDIG GEVENTILEERDE RUIMTE MOET MINIMAAL 25% VAN DE OPPERVLAKE VRIJ HEBBEN. DE TOTALE OPPERVLAKE IS DE SOM VAN HET WANDOPPERVLAK.

⚠ **WAARSCHUWING:** NIET TE GEBRUIKEN VOOR DE VERWARMING VAN RUIMTES BEDOELD VOOR BEWONING; VOOR GEBRUIK IN PUBLIEKE RUIMTES RAADPLEEG DE NATIONALE REGELGEVING.

Deze kachel is gemaakt conform de relevante van de EN1596:1998/A1:2004 standard. INSTALLEER DIT APPARAAT ALLEEN ALS HET VOLDOET AAN LOKALE/NATIONALE WETGEVING, VERORDENINGEN EN NORMEN.

## INHOUD

WAARSCHUWINGEN	2
KACHEL SPECIFICATIES	3
ODOR FADE WARNINGS	4
GEURVERVAGINGSWAARSCHUWINGEN	5
VERLICHTING/BEDIENINGSINSTRUCTIES	6
ONDERHOUD	7
PROBLEEMOPLOSSEN	9
SCHAKELSCHEMA	9
EXPLOSIETEKENING EN ONDERDELEN LIJST	10
BEPERKTE GARANTIE	12

# LAAT EEN BRANDENDE KACHEL NOOIT ONBEHEERD ACHTER!

## Kachel Specificaties

Model	DXPH060E		DXPH125E	
Gas Categorie	I3B/P		I3P	I3P
Gas Type	G30/G31 of mix daarvan		G31	G31
Gas Verbruik (max.)	G30 1310 g/h	G31 1286 g/h	1286 g/h	G30 2547 g/h G31 2501 g/h 2501 g/h
Bestemmingslanden	GB, DE, FR, IT, NL, DK, SE, FI, NO		GB, DE, FR, IT, NL, DK, SE, FI, NO	GB, DE, FR, IT, NL, DK, SE, FI, NO
Nominale Warmte Inbreng	18 kW		35 kW	
Ingangsdruk	1.5Bar			
Land van Oorsprong	China			
Elektrische Specificaties	220 - 240V 50Hz 29W		220 - 240V 50Hz 44W	
PIN	2531DL-0078			
IP class	IPx4			
Gasinlaat-verbinding	G 1/4 LH			

**NB:** De warmtetoevoer van model DXPH125E is instelbaar van 20 kW tot 35 kW.



## WAARSCHUWING

### Verstikkingsgevaar

- Gebruik niet in ongeventileerde ruimtes
- De luchtstroom voor verbranding en ventilatie dient niet belemmerd te worden
- Er dient adequate ventilatie te zijn om te voldoen aan de vereisten van de verbranding voor de betreffende kachel
- Zie de gebruiksaanwijzing voor de specificaties van de kachel, de gegevenskaart, of neem contact op met de fabriek om de vereisten voor de verbranding en ventilatie te bepalen.
- Het ontbreken van adequate ventilatie leidt tot gebrekkige verbranding.
- Inadequate verbranding kan koolmonoxidevergiftiging veroorzaken die leidt tot ernstige verwonding of dood. Symptomen van koolmonoxidevergiftiging zijn hoofdpijn, duizeligheid en moeite met ademen.
- Alleen gebruiken in een goed geventileerde ruimte en uit de buurt van brandbare stoffen materialen.
- Zorg ervoor dat de ventilator correct werkt voordat u de kachel aansteekt.

### Geur van Gas

LP-gas en aardgas hebben kunstmatige geurstoffen die speciaal zijn toegevoegd voor het detecteren van gaslekken. Als er een gaslek optreedt, moet u het gas kunnen ruiken. Aangezien Propaan (LP) zwaarder is dan lucht, kan de gas geur het best laag bij de grond worden vernomen. **ELKE GEUR VAN GAS IS EEN SIGNAAL OM ONMIDDELIJK TOT ACTIE OVER TE GAAN!**

- *Onderneem niets dat het gas zou kunnen laten ontbranden.*
- *Doe geen elektrische schakelaars aan.*
- *Trek niet aan elektrische- of verlengingssnoeren.*
- *Steek geen lucifers of enig ander vuur aan.*
- *Gebruik geen telefoon.*
- *Zorg dat iedereen meteen het gebouw en de directe omgeving verlaat. Sluit alle propaangas (LP) tank of fles brandstoftoevoer kleppen, of de hoofdtoevoer klep indien natuurlijk gas wordt gebruikt.*
- *Propaangas (LP) is zwaarder dan lucht en blijft laag bij de grond hangen. Als er reden is om een propaan lek te vermoeden, blijf dan weg bij lage ruimtes.*

- *Telefoneer uit de buurt van het lek, bel uw gasleverancier en brandweer. Ga niet terug naar de het gebouw of de ruimte met het lek.*
- *Blijf uit het gebouw en uit de ruimte totdat het veilig is verklaard door de brandweer en gasleverancier.*
- *TOT SLOT, laat uw gasleverancier en brandweer de ruimte controleren op ontsnappend gas en het gebouw en ruimte luchten voor u terugkeert. Adequaate getrainde onderhoudsmonteurs dienen alle lekken te repareren, te controleren op ieder mogelijk lek en het apparaat opnieuw voor u aan te steken.*

### Vervagende Geur - Geen Geur Ontdekt

- *Sommige mensen ruiken niet goed en sommige mensen kunnen de kunstmatige geur die toegevoegd wordt aan propaangas (LP) niet ruiken. U dient te bepalen of u de geur in deze brandstof gassen kunt ruiken.*
- *Leer de geur van propaangas (LP) en aardgas herkennen.*
- *Roken kan uw reukvermogen aantasten. Door langere tijd in de omgeving van een geur te verkeren kan uw gevoeligheid voor die specifieke geur aantasten. Wanneer er dieren worden gehouden, kan hun geur de brandstofgeur maskeren.*
- **De geurstof in propaangas (LP) is kleurloos en de intensiteit van de geur kan verminderen onder sommige omstandigheden.**
- *Als er een ondergrondse lek is kan de geur in de brandstof worden gefilterd door de bodem.*
- *De geur van propaangas (LP) kan op verschillende hoogtes verschillen in intensiteit. Omdat propaangas (G31) zwaarder is dan lucht kan de geur dicht bij de grond sterker zijn.*
- **Wees altijd alert op de geur van gas.** *Als u gas blijft ruiken, zelfs in hele lichte mate, behandel het als een serieus lek. Kom meteen in actie, zoals hierboven beschreven.*

### ATTENTIE - Belangrijke Punten Om Te Onthouden!

- *Propaan (LP) gas heeft een specifieke geur. Leer deze geuren te onderscheiden. (Zie de Brandstof Gas Geur en Geur Vervaging secties op diezelfde pagina)*
- *Zelfs indien u niet getraind bent in onderhoud of reparatie van kachels, blijf ALTIJD bewust van de geur van propaangas (LP) en aardgas.*
- *Als u niet getraind bent in onderhoud en reparatie van propaangas installaties probeer de kachel dan niet aan te steken, te onderhouden of repareren, maak geen aanpassingen aan de kachel of het propaan brandstofsysteem.*
- *Voer regelmatig een ruik test uit bij de kachel, de verbindingen, zoals de slang en andere verbindingen etc., dit is altijd een goede veiligheidstest. Als u ook maar een kleine hoeveelheid gas ruikt, NEEM DAN ONMIDDELIJK CONTACT OP MET UW GAS BRANDSTOF LEVERANCIER. WACHT NIET!*

# LAAT EEN BRANDENDE KACHEL NOOIT ONBEHEERD ACHTER!

## Veiligheidsmaatregelen

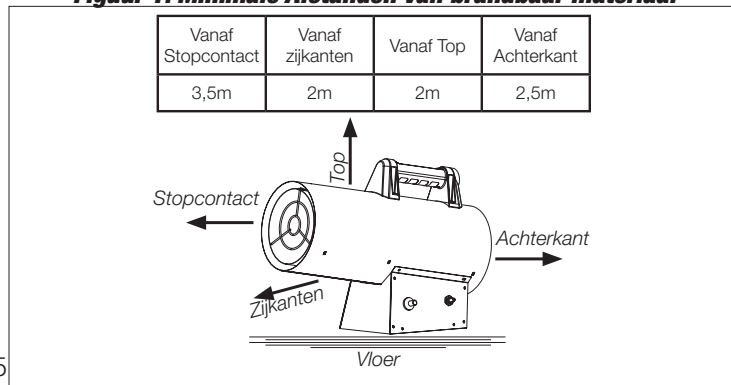
**DIT IS EEN VERWARMINGSTOESTEL. PROBEER NIET OM VOEDSEL OP DEZE KACHEL OP TE WARMEN OF TE KOKEN.**

1. Controleer de kachel grondig op schade. Gebruik **GEEN** beschadigde kachel.
2. Breng **GEEN** wijzigingen aan de kachel aan en gebruik geen kachel die is gewijzigd van de oorspronkelijke staat.
3. Gebruik alleen propaangas.
4. Gebruik alleen **DAMPONTTREKKING** propaantoevoer. Als u vragen heeft over damponttrekking, neem dan contact op met uw propaanleverancier.
5. Monteer de propaangasfles verticaal (afsluitlep omhoog). Beveilig ze tegen vallen of omvallen en bescherm ze tegen schade.
6. Deze kachel is alleen voor gebruik buitenshuis. Een ruim geventileerde ruimte moet minimaal 25% vrije oppervlakte hebben. De oppervlakte is de som van het oppervlak van de muren.
7. Als op enig moment de geur van gas wordt gedetecteerd, **STOP** het apparaat **ONMIDDELLIJK** totdat de gasbron is gevonden en gerepareerd.
8. Houd de minimale afstand tot normaal brandbaar materiaal aan volgens de vereisten in Figuur 1.
9. Vanwege de hoge oppervlakte- en uitlaattemperaturen moeten kinderen en huisdieren tijdens gebruik uit de buurt van dit apparaat worden gehouden.
10. Gebruik alleen op een stabiel, horizontaal oppervlak.
11. Gebruik alleen het gespecificeerde elektrische vermogen. Als het netsnoer beschadigd is, moet het worden gerepareerd door de fabrikant, zijn serviceagent of personen met vergelijkbare kwalificaties om gevaar te voorkomen.
12. Gebruik alleen een goed geaard stopcontact of verlengsnoer.
13. Verplaats, behandel of bedien niet terwijl het heet of brandend is.
14. Installeer dit apparaat en bewaar de gasfles in overeenstemming met de lokale/nationale wetgeving, verordeningen en normen.
15. Dek het apparaat niet af tijdens gebruik.
16. Gebruik het apparaat niet zonder dat de voor- en achter afschermingen in de correcte positie zitten. De afschermingen zijn ontworpen voor bescherming.
17. Bij sterke wind moet bijzondere aandacht worden besteed aan het kantelen van het apparaat.
18. Laat reparaties en/of onderhoud uitsluitend uitvoeren door een erkende onderhoudsmonteur.
19. Dit apparaat is ontworpen voor gebruik van de gasregelaar van 1,5 bar die voldoet aan de EN 16129 en de vereiste eisen. Neem bij twijfel contact op met uw lokale leverancier.

## Eisen ten aanzien van de Ventilatie

- Voor elke kW is een permanente ventilatie van 25 cm<sup>2</sup> nodig, gelijkmatig verdeeld over de vloer en hoog niveau, met een minimale uitlaat van 250 cm<sup>2</sup>.
- Richt de stroom van hete lucht nooit op de gasfles.
- Gebruik de kachel nooit zonder deksel.
- Overschrijd niet 100 W/m<sup>3</sup> vrije ruimte. Het minimum volume van de kamer moet groter zijn dan 100 m<sup>3</sup>.
- De kachel moet worden geplaatst waar geen gevaar voor brand is. De uitlaat voor warme lucht moet minstens 3,5 m verwijderd zijn van een brandbare muur of plafond en mag nooit naar de gasfles worden gericht. Neem bij twijfel contact op met uw leverancier.
- Gebruik geen buizen. Blokkeer de inlaat- of uitlaatsecties van de kachel niet.
- Gebruik de kachel niet in kelders, of in ondergrondse ruimtes.
- Als de kachel lang op zijn maximale capaciteit moet werken, is het mogelijk dat er ijs op de gasfles ontstaat. Dit komt door overmatige damponttrekking. Verwarm de gasfles niet om die reden of enige andere reden. Om dit effect te vermijden, of op zijn minst te verminderen, gebruik een grote gasfles of twee aan elkaar gekoppelde gasflessen.
- **De fabrikant is niet verantwoordelijk voor enige verwonding of schade als er geen aandacht wordt besteed aan de hierboven beschreven punten. Het gebruik van dit product en de daarvoor benodigde elementen is geheel voor eigen risico van de eindgebruiker.**

**Figuur 1: Minimale Afstanden van brandbaar materiaal**



# LAAT EEN BRANDENDE KACHEL NOOIT ONBEHEERD ACHTER!

## Gas Specificaties

- Gebruik alleen propaan, butaan of een mengsel daarvan. Zie specificaties op het apparaat.
- Het toestel heeft een goedgekeurde gasslang van <150 cm lengte en een gasregelaar nodig. Het geheel van slang en regelaar moet voldoen aan de lokale standaarden.
- De maximale inlaatdruk van de regelaar mag niet hoger zijn dan 690 kPa.
- Gasaansluiting 0,635 cm LH is te gebruiken met 1,5Bar regelaar. Gasaansluiting 0,9525 cm LH is te gebruiken met 0-2 bar regelaar (indien nodig).
- Dit apparaat is ontworpen voor gasflessen tot 15 kg.
- Een gedeukte, verroeste of beschadigde gasfles kan gevaarlijk zijn en moet worden gecontroleerd door een gekwalificeerde gasspecialist. Gebruik nooit een gasfles met een beschadigde klepaansluiting.
- Sluit nooit een niet-gereguleerde gasfles aan op de kachel.
- Verdraai nooit de flexibele slangen. Torsiespanning op buizen en slangen kan na verloop van tijd leiden tot gaslekkage.
- De installatie van de gasfles moet voldoen aan de lokale voorschriften of, bij gebrek aan lokale voorschriften, aan de normen voor opslag en behandeling van vloeibare petroleumgassen.
- Ontkoppel de gasfles als de kachel niet wordt gebruikt.
- Isoleer het apparaat van de cilinder door middel van de cilinderafsluitklep wanneer deze niet in werking is.

## Lek Testen

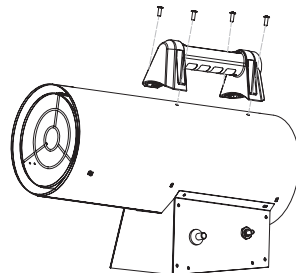
Gasaansluitingen op de kachel worden vóór verzending op lekkage getest in de fabriek. Een volledige gasdichtheidscontrole moet worden uitgevoerd op de installatielocatie vanwege mogelijke verkeerde behandeling bij verzending en/of installatie of vanwege overmatige druk op de kachel. De kachel moet worden gecontroleerd met een volle gasfles.

1. Zorg ervoor dat de veiligheidsklep in de UIT-stand staat.
2. Maak een sopje van een deel vloeibaar wasmiddel en een deel water. De zeepoplossing kan op alle gasaansluitingen worden aangebracht met een spuitfles, borstel of doek.  
**⚠ WAARSCHUWING:** Test nooit op lekken tijdens het roken! In geval van gaslekkage mag het apparaat niet worden gebruikt of als het nog aan staat moet de gastoevoer worden afgesloten en moet de lekkage worden hersteld voordat het weer kan worden gebruikt.
3. Zet de gastoevoer AAN. En controleer alle verbindingen met de zeepoplossing. Bij een lek verschijnen er zeepbellen.
4. Schakel in geval van een lek de gastoevoer uit. Draai eventuele lekkende fittingen vast, zet dan de gastoevoer AAN en controleer opnieuw. Neem contact op met uw dealer of gasleverancier als er bellen blijven verschijnen.

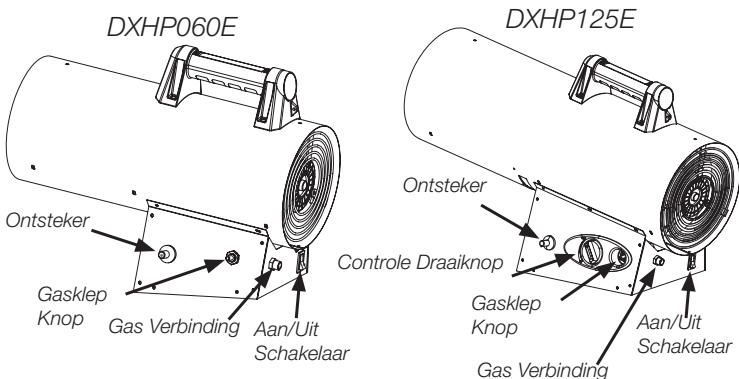
## Aansteken/Gebruiksaanwijzing

### Vorbereiding voor bediening

1. Haal de kachel uit de doos en controleer op mogelijke transportschade. Als u schade constateert, neem dan onmiddellijk contact op met de fabriek.
  2. Open het handvat en schroef de plastic zak vast.
  3. Bevestig de hendel aan de kachel met de vier meegeleverde schroeven door de vier gaten aan de bovenkant van de unit. Zie afbeelding 2.
- NB:** Een gasslang en gasregelaar zijn NIET bij de verwarming inbegrepen.
4. Sluit de gastoevoerslang aan op de drukregelaar en sluit de regelaar aan op een geschikte gasfles.
  5. Sluit de slang aan op de gasaansluiting op de kachel door de slangfitting met de klok mee te draaien.
  6. Open de gasklep van de gasfles en controleer alle gasaansluitingen met een zeep- en wateroplossing zoals hierboven beschreven.
  7. Sluit het netsnoer aan op een goed geaarde 220V ~ 240V, 50Hz krachtbron.



Figuur 2



## Opstarten Kachel

1. Draai de aan/uit-schakelaar naar de stand AAN (I) om de ventilator te starten.

**NB:** Voordat de kachel wordt ontstoken, moet u de kachel ventilator altijd 20 seconden laten draaien om overtollig gas weg te laten waaien.

2. Open langzaam de hoofdklep bij de propaangasflës.

3. Druk op de knop van de gasklep en druk herhaaldelijk op de ontsteker (piëzo-elektrische aansteker) totdat de vlam oplicht.

4. Nadat de kachel is opgestart, houdt u de klepknop ongeveer 10 seconden ingedrukt. Als de kachel stopt wanneer de klepknop is losgelaten, wacht dan een minuut en herhaal de starthandeling, terwijl u de klepknop langer ingedrukt houdt.

5. Draai alleen op het DXPH125E-model de regelknop naar de laagste stand. Nadat de kachel brandt, kunt u de brandselnelheid aanpassen door de bedieningsknop op het gewenste niveau te zetten.

**NB:** Neem contact op met uw leverancier als de problemen zich blijven voordoen.

**⚠ PAS OP:** Als de ontsteking moeilijk of onregelmatig is voordat u de stappen om op te starten herhaalt, zorg er dan voor dat de ventilator niet is vergrendeld en dat de luchtinlaat en -uitlaat vrij zijn.

## Stoppen Kachel

1. Sluit de klep op de propaangasflës goed.

2. Ga door met het gebruiken van de verwarming totdat alle brandstof in de slang is verbrand en zet de aan/uit-schakelaar in de stand OFF (O).

3. Koppel het netsnoer los.

**⚠ PAS OP:** Sluit altijd de brandstoftoevoer af:

- Voordat u de elektrische voeding loskoppelt
- Voordat u het apparaat verplaatst
- Na elk gebruik

## HERSTART NA VEILIGHEIDSTOP

1. Sluit de klep stevig bij de propaangasflës. Koppel het netsnoer los.

2. Wacht 5 minuten.

3. Start opnieuw op volgens de "START" procedure.

**NB:** Als er zojuist een nieuwe gasflës is aangesloten, moet u tenminste een minuut of langer de lucht in de gasleiding door de uitgang van de waakvlam naar buiten laten stromen.

**⚠ WAARSCHUWING:** Houd altijd een droge chemische brandblusser bij de hand.

## BEDIENING VENTILATOR

1. Het apparaat kan ook als ventilator worden gebruikt.

2. Verwijder in dit geval de gastoevoerslang en sluit de stekker van de verwarming aan op een geschikte elektrische voeding.

3. Zet de aan/uit-schakelaar in de stand AAN (I).

## VERVANGEN VAN DE GASFLËS

1. Schakel de kachel uit.

2. Sluit de klep van de gasflës.

3. Koppel de regelaar los van de gasflës volgens de instructies die bij uw regelaar zijn geleverd.

4. Vervang de gasflës.

**⚠ WAARSCHUWING:** Verwijder de plug of verzegeling van de gasflës ventiel alleen in ruim geventileerde ruimtes, op ruime afstand van bronnen van vuur (kaarsen, sigaretten en andere vlam producerende voorwerpen).

5. Controleer op de aanwezigheid en goede staat van de pakking voordat u de regelaar op de nieuwe gasflës aansluit.

6. Controleer of de afdichting van de regelaar correct is aangebracht en zijn functie kan vervullen.

7. Voer een lek-test uit met een zeepoplossing.

## ONDERHOUD

• De kachel moet voor elk gebruik, en ten minste jaarlijks, alleen door een gekwalificeerd persoon worden geïnspecteerd. Voordat u met onderhoudswerkzaamheden aan de kachel begint, moet u de verbinding met zowel gas als elektriciteit verbreken.

**⚠ WAARSCHUWING:** Het hele gassysteem, slang, regelaar, waakvlam en brander moeten voor gebruik worden gecontroleerd op lekkage. Maar op zijn minst één keer per maand en elke keer dat de gasflës wordt vervangen. Controleer de slangassemblage op tekenen van extreem afschaven, scheuren of andere slijtages. Verdachte gebieden moeten op lekken worden getest. Als de slang lekt, moet deze worden vervangen door een nieuwe die voldoet aan de plaatselijke standaarden. Als deze tekenen van barsten, splijten of andere beschadigingen vertoont, moet hij worden vervangen door een nieuwe slang van dezelfde lengte en van gelijkwaardige kwaliteit. Vervang de gasslang binnen de bij de instructies van de slang voorgeschreven tijd.

Als het apparaat lange tijd niet is gebruikt, raden we aan dat een technicus voor gebruik een algemene controle uitvoert. Het is belangrijk om het volgende te doen:

1. Controleer regelmatig de toestand van de gastoevoerslang en gebruik bij vervanging alleen originele reserveonderdelen.
2. Controleer de aansluitingen van de veiligheidsthermostaat en van het thermokoppel: deze moeten altijd schoon zijn. Reinig indien nodig het ventilatorblad en de binnenkant van de kachel met perslucht.

## Gekwalificeerd Onderhoud

Er kan een gevaarlijke situatie ontstaan als een kachel wordt gebruikt die is aangepast of niet goed functioneert. Als de kachel goed werkt:

- \* De vlam blijft binnen de kachel.
- \* De vlam is vooral blauw met misschien wat gele puntjes.
- \* Er is geen sterke onaangename geur, last van brandende ogen of ander fysiek ongemak.
- \* Er is geen rook of roet binnen of buiten de kachel.
- \* De kachel valt niet herhaaldelijk ongepland of onverklaarbaar uit.

De onderdelenlijsten en de explosietekening geven de kachel weer zoals hij was gebouwd. Gebruik geen kachel die afwijkt van die in de afbeelding. Gebruik daarom ook alleen de slang, regelaar en gasfles aansluiting (een zogenaamde POL-fitting) die bij de kachel wordt geleverd. **BELANGRIJK** Zorg dat de kleurstreep op het hanglabel dat aan de slang is bevestigd overeenkomt met de kleur op het label bij de propaan inlaatfitting op de verwarming. Gebruik geen alternatieven. Voor deze kachel wordt de regelaar in de fabriek afgesteld zoals weergegeven in "specificaties". Als er onzekerheid is over de instelling van de regelaar, laat deze dan controleren.

Een kachel die niet goed werkt, moet worden gerepareerd, maar alleen door een getrainde, ervaren onderhoudsmonteur.

Producten die onder de garantie vallen worden kosteloos gerepareerd voor onderdelen of arbeid. Voeg een korte verklaring toe met de datum, de plaats van aankoop, de aard van het probleem en het aankoopbewijs.

Producten die niet onder de garantie vallen, worden gerepareerd tegen betaling van onderdelen en arbeid.

## Opslag

- Schakel het gas uit bij de gasfles(sen) wanneer de kachel niet in gebruik is.
- Koppel de gasfles los van de gaskachel.
- Bewaar de gasfles in een koele, droge, donkere en goed geventileerde ruimte. Bij een losgekoppelde gasfles moeten de kleppen met schroefdraad stevig zijn geïnstalleerd. Plaats de gasfles ver van brandbare, explosieve of hete materialen en bij voorkeur niet in huis. Bovendien mag een gasfles nooit in de kelder of zolder worden opgeslagen.
- De gasfles moet buiten het bereik van kinderen worden bewaard.
- Bewaar of gebruik geen benzine of andere brandbare dampen en vloeistoffen in de buurt van dit of enig ander apparaat.
- Wanneer de kachel binnenshuis wordt opgeslagen, moet de verbinding tussen de gasflessen en de kachel worden losgekoppeld en de gasflessen uit de kachel worden verwijderd en buiten worden opgeslagen.
- Controleer op schade en of de gasklep goed dicht zit. Als u een beschadiging vermoedt, laat deze dan vervangen door uw gasleverancier.

## Schoonmaak en Verzorging

**⚠️WAARSCHUWING:** Zorg ervoor dat de kachel uit staat en koel is. Reinig de kachel niet met reinigingsmiddelen die brandbaar of bijtend zijn.

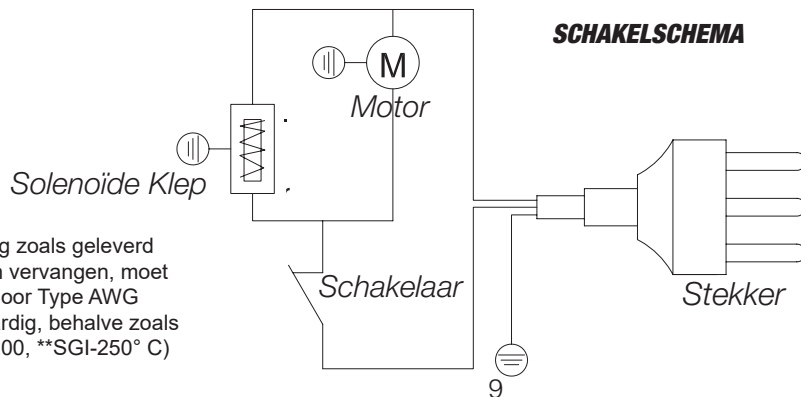
- Veeg gepoedercoate oppervlaktes af met zachte, vochtige doek en zeepwater.
- Verwijder vuil, spinnenwebben en insectennesten uit de ventilatieopening van de gasflesbehuizing, het bedieningspaneel, de brander en de doorgangen van de circulatielucht van de kachel met een krachtige pijpenrager of perslucht om het apparaat schoon en veilig te houden voor gebruik.
- Maak nooit poorten of andere openingen schoon met tandenstokers of enig ander object dat de poorten zal breken en blokkeren.



# LAAT EEN BRANDENDE KACHEL NOOIT ONBEHEERD ACHTER!

## Oplossen van problemen

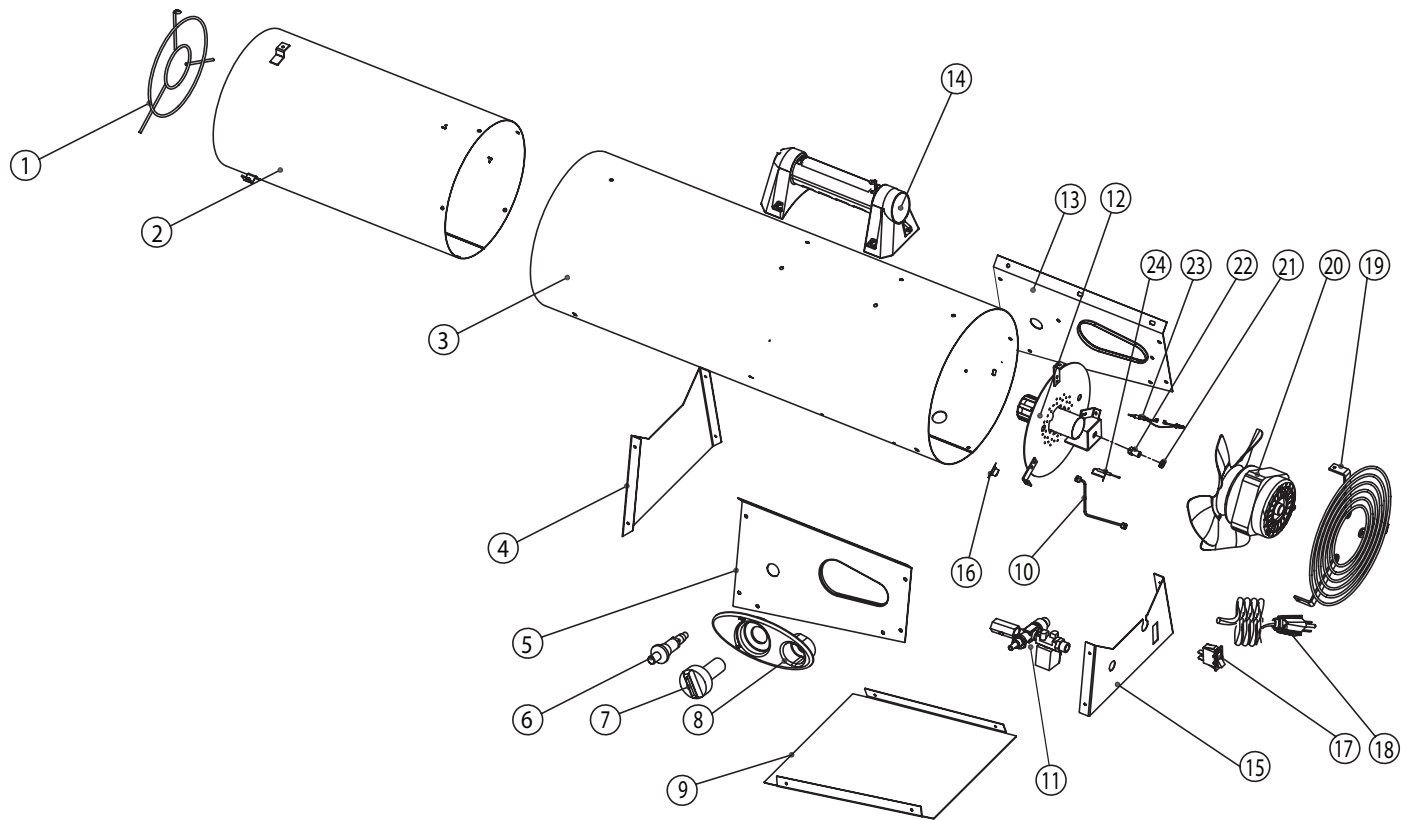
PROBLEEM	OORZAAK	OPLOSSINGEN
De motor werkt niet	Geen stroomvoorziening	Controleer het klemmenbord met een tester
De motor werkt, maar de brander gaat niet branden en na enkele seconden stopt de kachel	De gaskraan op de fles is gesloten	Open de gaskraan
	De gasfles is leeg	Gebruik een nieuwe gasfles
	Het mondstuk is verstopt	Verwijder het mondstuk en maak het schoon
	De solenoïde gasklep is niet open	Controleer of de solenoïde klep werkt
	Er is geen vonk	Controleer de positie van de elektrode
De brander gaat branden, maar na enkele seconden stopt de kachel	Kachel niet goed geaard	Controleer en sluit correct aan
	Defecte verbinding tussen sensor en veiligheidsvoorziening	Controleer en sluit correct aan
	Defecte veiligheidsinrichting	Vervang de veiligheidsvoorziening
De kachel stopt tijdens bedrijf	Overmatige gastoevoer	Controleer de drukregelaar en vervang deze indien nodig
	Onvoldoende luchtstroom	Controleer of de motor goed werkt
	Onvoldoende gastoevoer door ijsvorming op de gasfles	Controleer en gebruik een grotere gasfles of twee met elkaar verbonden gasflessen



Als de originele bekabeling zoals geleverd bij de kachel moet worden vervangen, moet deze worden vervangen door Type AWG 105 ° C kabel of gelijkwaardig, behalve zoals aangegeven (Type SF 2.200, \*\*SGI-250 ° C)

# LAAT EEN BRANDENDE KACHEL NOOIT ONBEHEERD ACHTER!

Nederlands



# LAAT EEN BRANDENDE KACHEL NOOIT ONBEHEERD ACHTER!

## DXPH060E & DXPH125E REPLACEMENT PARTS LIST

#	60K	125K	Beschrijving	Hoeeelheid	#	60K	125K	Beschrijving	Hoeeelheid
1	20989	20978	Houder Stopcontact	1	14	40801	40801	Handvat	1
2	20954	20979	Verbrandingskamer	1	15	20962	20985	Basis Achter Paneel	1
3	20914	20925	Buitenste Vat	1	16	20976	20975	Hoge Grensschakelaar	1
4	20955	20980	Basis Voorpaneel	1	17	20964	20964	Schakelaar	1
5	20956	20981	Linker Basispaneel (DXPH125E hier afgebeeld)	1	18	20965	20965	Elektrische Voedingskabel (J-type)	1
6	20957	20957	Ontsteker	1		20966	20966	Elektrische Voedingskabel (F-type)	1
7	N.v.t.	20982	Bedieningsknop	1		20967	20967	Elektrische Voedingskabel (G-type)	1
8	N.v.t.	20983	Decoratief Paneel	1	19	20968	20986	Inlaathouder	1
9	20920	20931	Basis Bodempaneel	1	20	20969	20987	Ventilatormotor	1
10	20977	20958	Brander Toevoerbuis	1	21	20970	20970	Openingsbout	1
11	20959	20984	Klepconstructie	1	22	20971	20988	Opening	1
12	20974	20963	Branderconstructie	1	23	20972	20972	Thermokoppel	1
13	20916	20927	Rechter Onder Paneel (DXPH125E hier afgebeeld)	1	24	20973	20973	Ontstekingselektrode	1

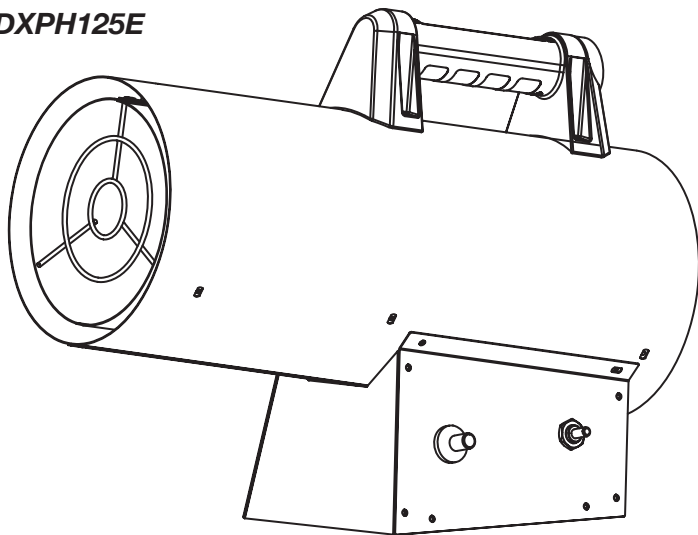
LAAT EEN BRANDENDE KACHEL NOOIT ONBEHEERD ACHTER!

Nederlands

# DEWALT®

**GEBRUIKSAANWIJZINGEN EN HANDLEIDING  
EIGENAAR**

**GAS GEFORCEERDE LUCHTVERWARMER  
DXPH060E  
DXPH125E**



## ⚠ **Waarschuwing**

GEBRUIK ALLEEN VERVANGINGSONDERDELEN VAN DE FABRIKANT. GEBRUIK VAN ANDERE ONDERDELEN KAN LETSEL OF DE DOOD VEROORZAKEN. VERVANGINGSONDERDELEN ZIJN ALLEEN DIRECT VERKRIJGBAAR IN DE FABRIEK EN MOETEN WORDEN GEÏNSTALLERD DOOR EEN GEKWALIFICEERD ONDERHOUDSMONTEUR.

## **BESTELINFORMATIE VOOR DE ONDERDELEN:**

AANKOOP: Accessoires kunnen worden gekocht bij elke lokale DeWALT®-dealer of rechtstreeks bij de fabriek.

## **VOOR ONDERHOUDSINFORMATIE:**

[www.DEWALT.com](http://www.DEWALT.com)

[www.2helpU.com](http://www.2helpU.com)

Houd alstublieft het model nummer, de datum van aankoop, en een beschrijving van het probleem bij de hand voor alle communicatie.

## **BEPERKTE GARANTIE**

DeWALT® garandeert dat zijn kachels en accessoires gedurende een periode van 2 jaar vanaf de aankoopdatum vrij zijn van materiaal- en fabricagefouten.

DeWALT® zal dit product gratis repareren of vervangen als het binnen de periode van 2 jaar defect blijkt te zijn, en binnen de garantieperiode op kosten van de klant met aankoopbewijs aan DeWALT® wordt geretourneerd.

Te koop in de volgende landen:



GB



DE



FR



IT



NL



DK



SE



FI



NO

DeWALT®, GUARANTEED TOUGH® en het geel-zwarte kleurenschema trademarks van de DeWALT Industrial Tool Co., gebruikt onder licentie. ©2020 DeWALT. EGI/Enerco Group Inc. Onder licentie van DeWALT Industrial Tool Co



2531-20  
EN 1596:1998+A1:2004  
2531DL-0078

**ÄLÄ KOSKAAN JÄTÄ LÄMMITINTÄ ILMAN VALVONTAA SEN PALAESSA!**

*Jos sinulla on kysymyksiä tai kommentteja, ota meihin yhteyttä*

***www.DEWALT.com***

**KÄYTTÖOHJE**

**DEWALT®**

**SISÄLTYVÄT KIELET:** ENGLANTI, SAKSAN KIELI, RANSKAN KIELI,  
ITALIALAINEN, HOLLANNIN KIELI, SUOMALAINEN, RUOTSIN KIELI,  
NORJAN KIELI, TANSKAN KIELI

**Kaasupaineinen ilmanlämmitin DXP060E, DXP0125E**

**CE**

2531-20  
EN 1596:1998+A1:2004  
2531DL-0078

**SÄILYTÄ NÄMÄ OHJEET**

**VAROITUS: LUE OHJEET HUOLELLISESTI:** Lue kaikki ohjeet ja noudata niitä. Säilytä ohjeita turvallisessa paikassa myöhempää tarvetta varten. Älä anna kenenkään, joka ei ole lukenut näitä ohjeita, koota, säätä tai käytä lämmitintä.

# ÄLÄ KOSKAAN JÄTÄ LÄMMITINTÄ ILMAN VALVONTAA SEN PALAESSA!

## Määritelmät: Turvallisuuohjeet

Alla olevat määritelmät kuvaavat kunkin merkkisanan vakavuutta. Lue käyttöohje ja kiinnitä huomiota näihin symboleihin.

⚠ **VAARA:** Ilmaisee välittömästi vaarallisen tilanteen, joka, jos sitä ei vältetä, **aiheuttaa kuoleman tai vakavan vamman.**

⚠ **VAROITUS:** Ilmaisee mahdollisesti vaarallisen tilanteen, joka, jos sitä ei vältetä, **voi aiheuttaa kuoleman tai vakavan vamman.**

⚠ **HUOMIO:** Ilmaisee mahdollisesti vaarallisen tilanteen, joka, jos sitä ei vältetä, **voi aiheuttaa vähäisen tai keskivakavan vamman.**

**HUOMAA:** Ilmaisee henkilövahinkoihin liittymättömän tilanteen, joka, jos sitä ei vältetä, **voi aiheuttaa omaisuusvahinkoja.**

⚠ **VAROITUS:** PALOVAMMOJEN JA SISÄÄNHENGITTÄMISEN VAARA, RÄJÄHDYSVAARA. PIDÄ KIINTEÄT PALAVAT AINEET, KUTEN RAKENUSMATERIAALIT, PAPERI TAI PAHVI, TURVALLISEN ETÄISYYDEN PÄÄSSÄ LÄMMITIMESTÄ, KUTEN OHJEISSA ON SUOSITELTU. ÄLÄ KOSKAAN KÄYTÄ LÄMMITINTÄ TILOISSA, JOTKA SISÄLTÄVÄT TAI SAATTAVAT SISÄLTÄÄ HERKÄSTI HAIHTUVIA TAI ILMASSA OLEVIA PALAVIA AINEITA TAI TUOTTEITA, KUTEN BENSIINIÄ, LIUOTTIMIA, MAALINOHENTEITA, PÖLYHIUKKASIA TAI TUNTEMATTOMIA KEMIKAALEJA.

## ⚠ **VAROITUS: YLEINEN VAARA**

JOS VAROTOIMIA JA ANNETTUJA OHJEITA EI NOUDATETA TÄMÄN LÄMMITTIMEN KÄYTÖSSÄ, SEURAUKSENA VOI OLLA KUOLEMA, VAKAVIA RUUMIINVAMMOJA JA OMAISUUSVAHINGOJA TAI VAURIOITA TULIPALON, RÄJÄHDYKSEN, PALOVAMMOJEN, TUKEHTUMISEN, HÄKÄMYRKYTYKSEN JA/TAI SÄHKÖISKUN TAKIA.

VAIN SELLAISET HENKILÖT, JOTKA YMMÄRTÄVÄT JA OSAAVAT NOUDATTA A OHJEITA, SAAVAT KÄYTTÄÄ TAI HUOLTA A TÄTÄ LÄMMITINTÄ.

JOS TARVITSET APUA TAI TIETOJA LÄMMITIMESTÄ, KUTEN SEN KÄYTTÖOHJEEN, MERKINTÖJÄ, JNE. OTA YHTEYTTÄ VALMISTAJAAN. SÄILYTÄ NÄMÄ OHJEET TULEVA A TARVETTA VARTEN.

⚠ **VAROITUS:** TÄMÄ LÄMMITIN ON TARKOITETTU VAIN ULKOKÄYTTÖÖN. RIITTÄVÄSTI TUULETETULLA ALUEELLA ON OLTAVA VÄHINTÄÄN 25 % PINNAN ALASTA AVOINNA. PINTA-ALA ON SEINÄPINTOJEN ALOJEN SUMMA

⚠ **VAROITUS:** EI SAA KÄYTTÄÄ ASUINTILOJEN LÄMMITTÄMISEEN. JULKISISSA TILOISSA KÄYTTÖÖN LIITTYEN KATSO KANSALLISET MÄÄRÄYKSET.

Tämä lämmitin on rakennettu EN1596:1998/A1:2004-standardin sovellettavien osien mukaisesti. ASENNA TÄMÄ LAITE VAIN, JOS SE TÄYTTÄÄ PAIKALLISEN KANSALLISEN LAINSÄÄDÄNNÖN, MÄÄRÄYSTEN JA STANDARDIEN VAATIMUKSET.

## SISÄLTÖ

VAROITUKSET	2
LÄMMITTIMEN TEKNISET TIEDOT	3
HAJUN HÄIPYMISEN VAROITUKSET	4
TUVATOIMET	5
SYTYTYS-/KÄYTTÖOHJEITA	6
KUNNOSSAPITO	7
ONGELMANRATKAISU	9
KYTKENTÄKAAVIO	9
RÄJÄYTYSKUVA JA OSALUETTELO	10
RAJOITETTU TAKUU	12

# ÄLÄ KOSKAAN JÄTÄ LÄMMITINTÄ ILMAN VALVONTAA SEN PALAESSA!

## Lämmittimen tekniset tiedot

Malli	DXPH060E		DXPH125E	
Kaasuluokka	I3B/P		I3P	I3P
Kaasun tyyppi	G30/G31 tai näiden seos		G31	G30/G31 tai näiden seos
Kaasunkulutus (maks.)	G30 1310 g/h	G31 1286 g/h	1286 g/h	G30 2547 g/h G31 2501 g/h
Kohdemaat	GB, DE, FR, IT, NL, DK, SE, FI, NO	GB, DE, FR, IT, NL, DK, SE, FI, NO	GB, DE, FR, IT, NL, DK, SE, FI, NO	GB, DE, FR, IT, NL, DK, SE, FI, NO
Nimellislämmitysteho	18 kW		35 kW	
Syöttöpaine	1,5 bar			
Alkuperämaa	Kiina			
Sähköjärjestelmän tiedot	220 - 240V 50Hz 29W		220 - 240V 50Hz 44W	
PIN	2531DL-0078			
IP-luokka	IPx4			
Kaasun tuloliitin	G 1/4 LH			

**HUOMAA:** Malin DXPH125E lämmöntuotto on säädettävissä 20 kW–35 kW.



## VAROITUS

### Tukehtumisvaara

- Älä käytä tuuletattomilla alueilla
- Palamis- ja tuuletusilman reittejä ei saa estää
- Riittävästi tuuletusilmaa on oltava saatavana käytössä olevan lämmittimen palamisilmavaatimusten täyttämiseksi.
- Katso lämmittimen käyttöohjeiden teknisten tietojen osio, lämmittimen tyyppikilpi, tai ota yhteyttä tehtaalle määrittääksesi lämmittimen palamisilman tuuletusvaatimukset.
- Riittämätön tuuletusilma johtaa puutteelliseen palamiseen
- Puutteellinen palaminen voi aiheuttaa häikämyrkytyksen, mistä aiheutuu vakavia vammoja tai kuolema. Häikämyrkytyksen oireisiin voivat kuulua päänsärky, huimaus ja hengitysvaikeudet.
- Käytä vain hyvin ilmastoidussa tilassa ja poissa palavasta materiaaleja.
- Varmista, että tuuletin toimii oikein, ennen kuin sytytät lämmittimen.

## Polttoaine kaasun haju

Nestekaasu ja maakaasu sisältävät keinotekoisia hajuaaineita, jotka on lisätty erityisesti polttoaine kaasun vuotojen havaitsemiseen. Jos ilmenee kaasuvuoto, polttoaine kaasun haju pitäisi pystyä tunnistamaan. Koska propaani (LP) on raskaampaa kuin ilma, kaasun haju tuntuu alhaalla lattialla. **MIKÄ TAHANSA KAASUN HAJU EDELLYTTÄÄ VÄLITTÖMIÄ TOIMENPITEITÄ!**

- Älä tee mitään, mikä voisi sytyttää polttoaine kaasun.
- Älä käytä mitään sähkökytkimiä.
- Älä irrota mitään virtajohtoja tai jatkojohtoja.
- Älä sytytä tulitikkuja tai muuta avotulta.
- Älä käytä puhelintasi.
- Evakuoiv välittömästi kaikki pois rakennuksesta ja alueelta. Sulje kaikki propaanikaasun (LP) säiliöiden tai pullojen syöttöventtiilit, tai mittarissa oleva polttoaineen pääsyöuventtiili, jos käytät luonnonkaasua.
- Propaanikaasu (LP) on raskaampaa kuin ilma ja voi asettua matalammille alueille. Jos sinulla on syytä epäillä propaanivuotoa, pysy poissa matalilta alueilta.

- Käytä puhelinta kaukana vuotoalueelta ja soita polttoaine kaasun toimittajallesi ja palokunnalle. Älä mene takaisin rakennukseen tai alueelle.
- Pysy poissa rakennuksesta ja alueelta, kunnes palomiehet ja polttoaine kaasun toimittajasi ovat ilmoittaneet sen olevan turvallinen.
- LOPUKSI, anna kaasuhuoltoasentajan ja palokunnan tarkistaa paikka vuotaneen kaasun varalta. Anna heidän tuulettaa rakennus ennen kun palaat sinne. Asianmukaisesti koulutettujen ihmisten on korjattava mahdolliset vuodot, tehtävä tarkistus muiden vuotojen varalta ja sitten sytytettävä laite puolestasi.

## Haju häipyä – Hajua ei havaita

- Joidenkin henkilöiden hajuaisti ei ole herkkä. Jotkin henkilöt eivät tunne propaanikaasun (LP) lisättyjen kenotekoisien kemikaalien hajua. Sinun on otettava selvää, pystytkö tunnistamaan näiden polttoaine kaasujen sisältämän hajuaineen.
- Opi tunnistamaan propaanikaasun (LP) ja luonnonkaasun haju.
- Tupakointi voi heikentää hajuaistiasi. Oleskelu jonkin aikaa hajun ympäröimänä voi vaikuttaa herkkyyteesi havaita kyseistä hajua. Eläinsuojien hajut voivat peittää polttoaine kaasun hajun.
- **Propaanikaasun (LP) ja luonnonkaasun hajuaine on väritön ja sen voimakkuus voi vaihdella joissakin olosuhteissa.** Jos on maanalainen vuoto, kaasun liike maaperässä voi suodattaa hajuaineen pois.
- Propaanikaasun (LP) hajun voimakkuus voi olla erilainen eri määrinä. Koska propaanikaasu (LP) on raskaampaa kuin ilma, haju voi olla voimakkaampi matalalla.
- **Reagoi aina herkästi heikoimpaankin kaasun hajuun.** Jos kaasun haju tuntuu edelleen, vaikka kuinka heikkona, pidä sitä vakavana vuotona. Ryhdy toimiin välittömästi, kuten edellä on kuvattu.

## HUOMIO! - Tärkeitä muistettavia kohtia!

- Propaanikaasulla (LP) on tunnusomainen haju. Opi tunnistamaan nämä hajut. (Katso saman sivun kohdat polttoaine kaasun hajusta ja hajun häipymisestä.)
- Vaikka et ole koulutettu lämmittimen huoltoon ja korjauksiin, ole AINA tietoinen propaanikaasun (LP) ja luonnonkaasun hajuista.
- Jos et ole koulutettu propaanikaasun (LP) huoltoon ja korjauksiin, niin älä yritä sytyttää lämmittintä, tehdä huoltoa ja korjauksia tai tehdä mitään säätöjä lämmittimen propaanikaasu- (LP) polttoainejärjestelmälle.
- Säännöllinen hajutesti lämmittimen ympäri tai sen liitoksille, ts. letku, liittännät, jne., on hyvä turvakäytäntö kaikissa olosuhteissa. Jos tunnet heikonkin kaasun hajun, OTA VÄLITTÖMÄSTI YHTEYTTÄ KAASUNTOIMITTAJAASI. ÄLÄ ODOTA!



# ÄLÄ KOSKAAN JÄTÄ LÄMMITINTÄ ILMAN VALVONTAA SEN PALAESSA!

## TUVATOIMET

**TÄMÄ ON LÄMMITYSLAITE. ÄLÄ YRITÄ LÄMMITTÄÄ TAI LAITTAA RUOKAA TÄLLÄ LÄMMITTIMELLÄ.**

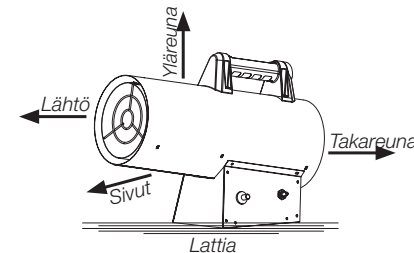
1. Tarkasta lämmitin perusteellisesti vaurioiden varalta. ÄLÄ käytä vaurioitunutta lämmitintä.
2. ÄLÄ muuta lämmitintä tai käytä sitä, jos sitä on muutettu alkuperäisestä tilastaan.
3. Käytä vain propaanikaasua.
4. Käytä vain HÖYRYSTÄVÄÄ propaaninsyöttöä. Jos sinulla on kysyttävää höyryntämiseen liittyen, kysy asiasta propaanin jälleenmyyjältäsi.
5. Asenna propaanipullot pystysuoraan (sulkuventtiili ylöspäin). Varmista ne putoamisen ja kaatumisen varalta ja suojaa ne vaurioilta.
6. Tämä lämmitin on tarkoitettu vain ulkokäyttöön. Riittävästi tuuletetulla alueella on oltava vähintään 25 % pinnan alasta avooina. Pinta-ala on seinäpintojen alojen summa.
7. Milloin tahansa kun kaasun hajua havaitaan, LOPETA KÄYTTÖ VÄLITTÖMÄSTI kunnes kaasun lähde on löydetty ja korjattu.
8. Säilytä minimietäisyydet tavallisista palavista materiaaleista kuvan 1 vaatimusten mukaisesti.
9. Korkeiden pinta- ja poistoilman lämpötilojen takia lapset ja lemmikit on pidettävä etäällä tästä laitteesta, kun se on käytössä.
10. Käytä vain vakaalla, tasaisella pinnalla.
11. Käytä vain määritettyä sähkönsyöttöä. Jos virtajohto on vaurioitunut, sen korjaus on annettava valmistajan, sen valtuuttaman huoltoliikkeen tai muun pätevän asiantuntijan tehtäväksi vaaratilanteiden välttämiseksi.
12. Käytä vain oikein maadoitettua 3-napaista pistoketta tai jatkohohtoa.
13. Älä siirrä, käsittele tai huolla laitetta, kun se on kuuma tai palaa.
14. Asenna tämä laite ja säilytä kaasupulloja paikallisen/kansallisen lainsäädännön, määräysten ja standardien mukaisesti.
15. Älä peitä laitetta käytön aikana.
16. Älä käytä laitetta ilman, että etu- ja takasuojat ovat paikoillaan. Suojukset on tarkoitettu suojaamaan.
17. Voimakkaassa tuulessa on kiinnitettävä erityistä huomiota siihen, että laite ei kaadu.
18. Anna korjaus ja/tai kunnossapitotyöt pätevän huoltoasentajan tehtäväksi.
19. Tämä laite on suunniteltu käyttämään 1,5 baarin kaasusäädintä, joka täyttää standardin EN 16129 ja asiaan liittyvien määräysten vaatimukset. Jos et ole varma, ota yhteyttä paikalliseen jälleenmyyjään.

## Tuuletusvaatimukset

- Jokaista kW tehoa kohden on oltava pysyvä 25 cm• tuuletusaukko, tasaisesti jakautuneena lattiatasoon ja korkeammalle, vähintään 250 cm• poistoaukolla.
- Älä koskaan suuntaa kuumaa ilmaa kaasupulloa kohti.
- Älä koskaan käytä laitetta ilman sen kantaa.
- Älä ylitä tehoa 100 W/m• vapaata tilaa. Huoneen tilavuuden on oltava vähintään 100m•.
- Lämmitin on sijoitettava paikkaan, jossa ei ole tulipalon vaaraa. Kuumen ilman lähtö on vähintään 3,5 m päässä palavista seinistä tai katoista, eikä sitä koskaan saa suunnata kohti kaasupulloa. Jos et ole varma, ota yhteyttä toimittajaasi.
- Älä käytä kanavia. Älä peitä lämmitimen tulo- ja lähtösiä.
- Älä käytä lämmitintä kellereissa, pohjakerroksissa tai missään maanpinnan alapuolella olevassa tilassa.
- Jos lämmitimen on toimittava pitkiä aikoja maksimitehollaan, kaasupulloon voi muodostua jäätä. Tämä johtuu liiallisesta höyryntotosta. Pulloa ei saa lämmitää tästä eikä mistään muustakaan syystä. Tämän ilmiön välttämiseksi tai ainakin sen vähentämiseksi käytä suuria pulloja tai kahta yhteen liitettyä pulloa.
- **Valmistaja ei ole vastuussa mistään ongelmista tai vaurioista, jotka johtuvat siitä, että edellä esitettyihin kohtiin ei ole kiinnitetty huomiota. Tämän tuotteen ja siihen liittyvien elementtien käyttö on täysin loppukäyttäjän omalla vastuulla.**

**Kuva 1: Minimietäisyydet palavista materiaaleista**

Lähdöstä	Sivuilta	Yläpuolelta	Takaa
3,5 m	2 m	2 m	2,5 m



# ÄLÄ KOSKAAN JÄTÄ LÄMMITINTÄ ILMAN VALVONTAA SEN PALAESSA!

## Kaasuvaatimukset

- Käytä vain propaania, butaania tai niiden seosta. Katso laitteen tyyppimerkintä.
- Tämä laite vaatii hyväksytyjä kaasuletkuja, pituudeltaan < 150 cm, sekä kaasusäätimen. Letku- ja säädinrakenteen on vastattava paikallisia määräyksiä.
- Säätimen suurin tulopaine ei saa olla yli 690 kPa.
- Kaasuliitäntää .635 cm LH on käytettävä 1,5 baarin säätimen kanssa. Kaasuliitäntää .9525 cm LH on käytettävä 0–2 baarin säätimen kanssa (tarvittaessa).
- Tämä laite on suunniteltu enintään 15 kg kaasupulloille.
- Lommoutunut, ruostunut tai vaurioitunut kaasupullo voi olla vaarallinen ja se on annettava valtuutetun kaasuasiantuntijan tarkastettavaksi. Älä koskaan käytä kaasupulloa, jonka venttiiliitäntä on vaurioitunut.
- Älä koskaan yhdistä kaasupulloa lämmittimeen ilman säädintä.
- Älä koskaan kierrä joustavia putkia tai letkuja. Putkien ja letkujen vääntörasitus voi aiheuttaa ajan mittaan kaasuvuotoja.
- Kaasupullon asennuksen on täytettävä kaikki paikalliset määräykset, tai jos niitä ei ole, nestemäisten öljykaasujen käsittely- ja varastointistandardit.
- Irrota kaasupullo, kun lämmitin ei ole käytössä.
- Eristä laite sylinteristä sylinterin sulkuventtiinillä avulla, kun se ei ole toiminnassa.

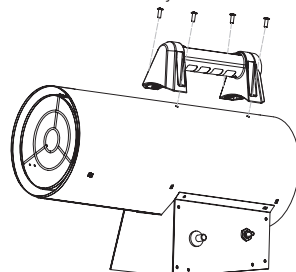
## Vuototestaus

Lämmittimen kaasuliitännät on vuototestattu tehtaalla ennen toimitusta. Täydellinen kaasun tiivistarkastus on tehtävä asennuspaikalla mahdollisen kuljetuksen aikana tapahtuneen väärinkäsittelyn ja/tai asennuksen varalta, tai jos lämmittimeen on kohdistunut liiallinen paine. Lämmitin on tarkastettava täydellä kaasupullolla.

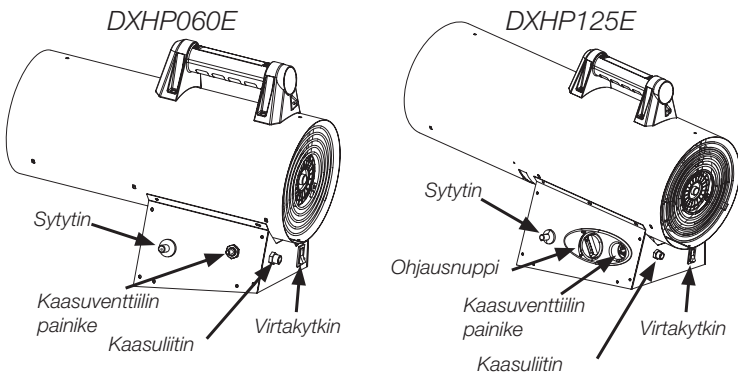
1. Varmista, turventiili on OFF-asennossa.
2. Tee saippualliuos yhdestä osasta nestemäistä pesuainetta ja yhdestä osasta vettä. Saippuavesiliuos voidaan levittää suihkepullolla, harjalla tai rätillä kaikkiin kaasuliitäntöihin  
**VAROITUS:** Älä koskaan testaa vuotoja, kun tupakoit! Kaasuvuodon sattuessa laitetta ei saa käyttää tai jos se edelleen palaa, kaasusyöttö on sammutettava ja vuoto korjattava ennen kuin laitetta voidaan käyttää uudelleen.
3. Kytke kaasunsyöttö päälle (ON). Tarkista kaikki liitännät saippuavesiliuoksella. Vuodon tapauksessa tulee saippuakuplia.
4. Jos ilmenee vuoto, sammuta kaasunsyöttö. Kiristä mahdolliset vuotavat liitokset ja kytke sitten kaasunsyöttö päälle (ON). Ota yhteyttä jälleenmyyjäsi, jos kuplia tulee edelleen.

## Sytytys-/käyttöohjeita Valmistelu käyttöön

1. Poista lämmitin pakkauksesta ja tarkista lämmitin mahdollisten kuljetusvaurioiden varalta. Jos niitä löytyy, ilmoita tehtaalle välittömästi.
2. Avaa kahva ja kierrä muovipussi.
3. Kiinnitä kahva lämmittimeen mukana toimitetulla neljällä ruuvilla laitteen yläosassa olevien neljän reiän läpi. Katso kuva 2.  
**HUOMAUTUS:** Lämmittimen mukana Ei toimiteta kaasuletkua ja kaasusäädintä.
4. Yhdistä kaasunsyöttöletku paineensäätimeen ja yhdistä säädin sopivaan kaasupulloon.
5. Liitä letku lämmittimeen kaasuliitäntään kiertämällä letkun liittintä myötäpäivään.
6. Avaa pullon kaasuventtiili ja tarkista kaikki kaasuliitännät saippuavedellä, kuten edellä on kuvattu.
7. Yhdistä virtajohto maadoitettuun 220–240 V 50 Hz pistorasiaan.



Kuva 2



## Lämmittimen käynnistäminen

1. Aseta virtakytkin ON (I) -asentoon käynnistääksesi puhaltimen  
**HUOMAA:** Ennen lämmittimen sytytystä anna sen tuulettimen (puhaltimen) käydä 20 sekuntia polttoaineen tuulettamiseksi.
2. Avaa propaanipullon pääventtiili hitaasti.
3. Paina kaasuventtiilin painiketta ja paina sytytintä (pietsosähköinen sytytin) useita kertoja, kunnes liekki syttyy.
4. Kun lämmitin on syttynyt, pidä venttiilipainiketta painettuna noin 10 sekuntia.  
Jos lämmitin sammuu kun venttiilipainike on vapautettu, odota minuutti ja toista käynnistystoimenpide pitämällä venttiilipainiketta painettuna pidempään.
5. Vain DXPH125E-malli: Kierrä ohjausnuppi matalimpaan asetukseen. Kun lämmitin on syttynyt, voit säätää palamisnopeutta asettamalla säätönupin haluttuun asentoon.  
**HUOMAA:** Ota yhteyttä toimittajaasi, jos ilmenee ongelmia  
⚠ **HUOMIO:** Jos sytytys on hankalaa tai epäsäännöllistä ennen aloitusvaiheiden toistamista, niin varmista, että tuuletinta ei ole lukittu ja ilmanotto- ja poistoaukot ovat esteettömiä.

## Lämmittimen sammuttaminen

1. Sulje propaanipullon venttiili tiukasti.
  2. Jatka lämmittimen käyttöä kunnes kaikki polttoaine letkuista on palanut, ja käännä sitten virtakytkin OFF (0) -asentoon.
  3. Irrota virtakaapeli.
- ⚠ **HUOMAA:** Sammuta polttoaineensyöttö aina:
- Ennen kuin katkaiset sähkövirran
  - Ennen kuin siirät laitetta
  - Jokaisen käytön jälkeen

## UUDELLEENKÄYNNISTYS TURVASAMMUTUKSEN JÄLKEEN

1. Sulje propaanipullon venttiili tiukasti. Irrota virtakaapeli.
2. Odota 5 minuuttia.
3. Käynnistä uudelleen "KÄYNNISTYS"-kohdan mukaisesti.  
**HUOMAA:** Jos uusi säiliö on juuri liitetty, niin anna kaasuputkien ilman purkausta ulos pilottiaukosta vähintään minuutin ajan  
⚠ **VAROITUS:** Pidä aina jauhessammutin käden ulottuvilla.

## PUHALTIMEN KÄYTTÖ

1. Laitetta voidaan käyttää myös puhaltimena.
2. Irrota silloin kaasunsyöttöletku ja kytkte lämmittimen pistoke sopivaan pistorasiaan.
3. Aseta virtakytkin ON (I) -asentoon.

## KAASUPULLON VAIHTAMINEN

1. Sammuta lämmitin:
2. Sulje kaasupullon venttiili.
3. Irrota säädin pullosta säätimen mukana toimitettujen ohjeiden mukaisesti.
4. Vaihda pullo.

- ⚠ **VAROITUS:** Poista tulppa tai tiivistekorkki sylinteriventtiilistä ja vaihda kaasusylinteri vain hyvin ilmastoidussa tilassa, etäällä kaikista sytytyslähteistä (kynttilä, savukkeet ja muut avotulta sisältävät laitteet).
5. Tarkista tiivisteiden hyvä kunto ennen kuin liität säätimen uuteen pulloon.
  6. Tarkista, että säätimen tiiviste on oikein asetettu ja sopiva tehtävänsä.
  7. Suorita vuototesti saippuavesiliuoksella.

## KUNNOSSAPITO

- Lämmitin on tarkastettava ennen jokaista käyttöä sekä pätevän henkilön on tarkastettava se vähintään kerran vuodessa. Ennen minkään lämmittimen kunnossapitotoimen aloittamista se on irrotettava sekä kaasu- että sähkönsyöttöstä.
- ⚠ **VAROITUS:** Koko kaasujärjestelmä, letku, säädin, pilotti ja poltin, on tarkastettava vuotojen varalta ennen käyttöä. Tai vähintään kerran kuukaudessa ja aina kun kaasupullo vaihdetaan. Tarkista letkurakenne voimakkaan hankauksen, viitojen ja kulumisen varalta. Epäilyksenalaiset kohdat on testattava vuodon varalta. Jos letku vuotaa, se on vaihdettava uuteen paikallisten standardien mukaisesti. Jos letkussa näkyy merkkejä murtumista, halkeamisesta tai heikkenemisestä, se on vaihdettava uuteen samanpituiseen ja laadultaan vastaavaan letkuun. Vaihda kaasuputki/letku letkussa mainituin aikavälein.
- Jos laitetta ei ole käytetty pitkään aikaan, niin suosittelemme, että asentaja tekee yleisen tarkastuksen ennen käyttöä. On tärkeää tehdä seuraavat:
1. Tarkasta säännöllisesti kaasunsyöttöletkujen kunto. Jos ne vaihdetaan, on käytettävä vain alkuperäisiä varaosia.
  2. Tarkista turvatermostaatin ja termoparin liitännät. Niiden on aina oltava puhtaita. Tarvittaessa puhdista puhaltimen siivet ja lämmittimen sisäpuoli paineilmalla.

## Huolto

Voi aiheutua vaarallinen tila, jos käytetään lämmitintä, jota on muutettu tai joka ei toimi kunnolla. Kun lämmitin toimii oikein:

- \* Liekki pysyy lämmittimen sisällä.
- \* Liekki on oleellisesti sininen, ehkä hieman keltaisella kärjellä.
- \* Ei voimakasta, epämiellyttävää hajua, silmien kirvelyä tai muuta fyysistä epämukavuutta.
- \* Ei savua tai nokea lämmittimen sisä- tai ulkopuolella.
- \* Ei lämmittimen suunnittelemattomia tai selittämättömiä sammumisia.

Osaluettelo ja räjäytyskuva esittävät lämmitintä sellaisena, kuin se valmistettiin. Älä käytä lämmitintä, joka poikkeaa kuvassa esitetystä. Käytä vain lämmittimen mukana toimitettua letku-, säädin- ja pulloliitintä (kutsutaan POL-liittimeksi).

**TÄRKEÄÄ:** Täsmäytä letkukokoonpanoon kiinnitetyn riippumerkinnän värinauhan väri etikettiin, joka sijaitsee lähellä lämmittimen propaanin tuloaukkoa. Älä käytä mitään vaihtoehtoja. Tälle lämmittimelle säätö on tehdasasetus, kuten on kuvattu kohdassa "tekniset tiedot". Jos säätimen asetuksista on epävarmuutta, anna tarkistaa se.

Lämmitin, joka ei toimi oikein, on korjattava, mutta sen saa tehdä vain koulutettu, pätevä huoltoasentaja.

Takuun piirissä olevat laitteet korjataan ilman veloitusta osista tai työstä. Liitä mukaan lyhyt selvitys, josta ilmenee päivämäärä, ostopaikka, ongelman luonne, sekä ostokuitti.

Takuun ulkopuolella olevat laitteet korjataan veloittaen osat ja työ.

## Säilytys

- Varmista, että lämmitin on sammutettu.
- Sulje kaasun ja LP-kaasun syöttöpullo(t), kun lämmitin ei ole käytössä.
- Irrota kaasusäiliö kaasulämmittimestä.
- Säilytä kaasusäiliö viileässä, kuivassa, pimeässä ja hyvin ilmastoidussa tilassa. Irrotettuun pulloon on asetettava venttiilin kierretulpat tiiviisti kiinni. Sijoita se etäälle palavista, räjähtävistä ja kuumista materiaaleista, mielellään poissa asuintiloista. Lisäksi sitä ei saa koskaan säilyttää kellarissa tai ullakolla.
- Pullo on säilytettävä poissa lasten ulottuvilta.
- Älä säilytä tai käytä bensiniä tai muita palavia höyryjä ja nesteitä tämän tai minkään muun laitteen lähellä.
- Jos lämmitintä on tarkoitus säilyttää sisätiloissa, nestekaasun syöttöpullan (pullojen) ja lämmittimen välinen yhteys on irrotettava ja pullo (pullot) on poistettava lämmittimestä ja varastoitava ulkona.
- Tarkista kaasuventtiilin tiukkuus ja mahdolliset vauriot. Jos epäilet vaurioita, anna kaasun jälleenmyyjäsi vaihtaa se.

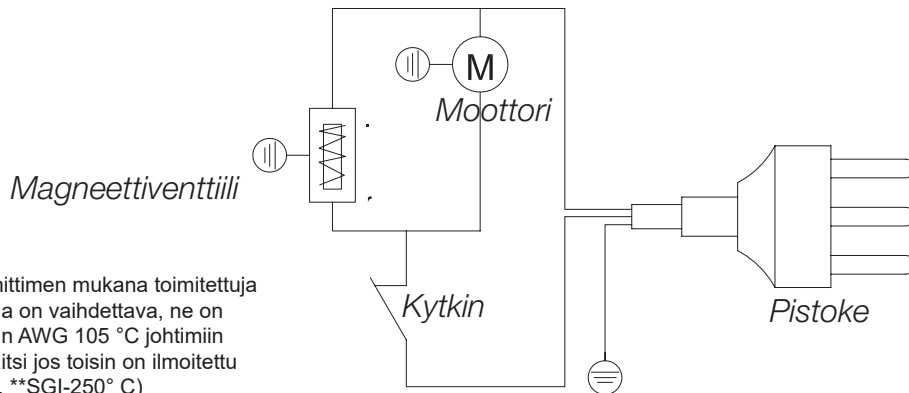
## Puhdistus ja hoito

**VAROITUS:** Varmista, että lämmitin on sammutettu ja se on jäähtynyt. Älä puhdista lämmitintä palavilla tai syövyttävillä puhdistusaineilla.

- Pyyhi jauhemaalattut pinnat pehmeällä, kostutetulla liinalla ja saippuavedellä.
- Poista roskat sekä hämähäkinseitit ja hyönteisten kotelot lämmittimen sylinterikotelosta, ohjauslokerosta, polttimesta ja kiertoilmakanavien tuuletusaukosta raskaiden putkien puhdistusaineella tai paineilmalla, jotta laite pysyy puhtaana ja käyttöturvallisena.
- Älä koskaan puhdista portteja tai muita aukkoja hammastikuilla tai muilla esineillä, jotka voivat katketa ja tukkia portit.

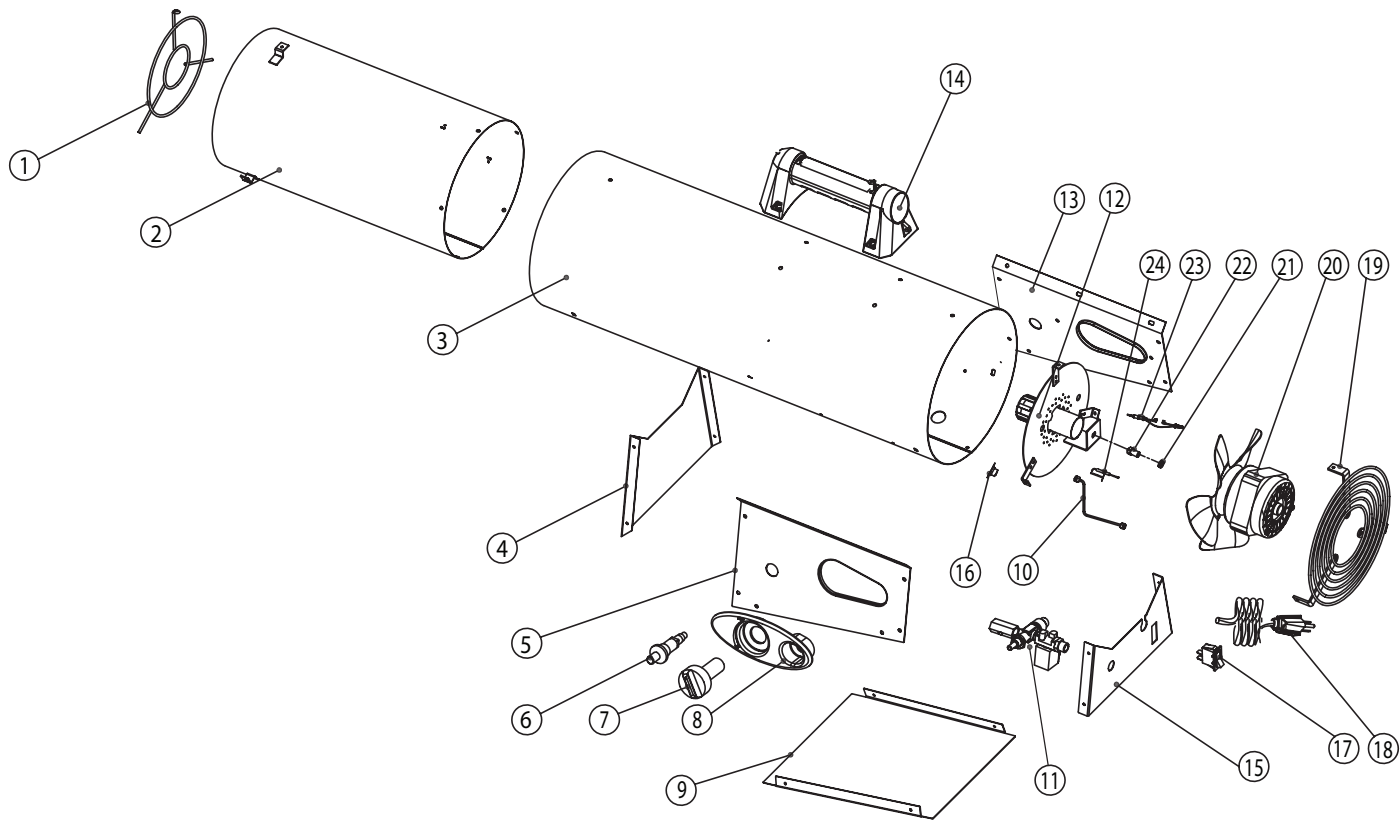
ONGELMA	SYY	RATKAISUT
Moottori ei toimi	Ei sähkönsyöttöä	Tarkista liitäntäkortti testauslaitteella
Moottori toimii, mutta poltin ei syty ja muutaman sekunnin kuluttua lämmitin sammuu	Pullon kaasuhana on suljettu	Avaa kaasuhana
	Pullo on tyhjä	Käytä uutta pulloa
	Suutin on estetty	Irrota suutin ja puhdista se
	Magneettikaasuventtiili ei ole auki	Tarkista, että magneettiventtiili toimii
Poltin syttyy, mutta lämmitin sammuu muutaman sekunnin kuluttua	Ei kipinää	Tarkista elektrodin asento
	Lämmitin ei oikein maadoitettu	Tarkista ja kytke oikein
	Viallinen liitäntä anturin ja turvalaitteen välillä	Tarkista ja kytke oikein
Riittämätön kaasunsyöttö koska pulloon on muodostunut jäätä	Viallinen turvalaite	Vaihda turvalaite
	Liiallinen kaasunsyöttö	Tarkista paineenalennin ja vaihda se tarvittaessa
	Riittämätön ilmapirtaus	Tarkista, että moottori toimii oikein
	Riittämätön kaasunsyöttö koska pulloon on muodostunut jäätä	Tarkista ja käytä suurta pulloa tai kahta yhteen kytkettyä pulloa

**KYTKENTÄKAAVIO**



Jos mitään lämmittimen mukana toimitettuja alkuperäisjohtimia on vaihdettava, ne on vaihdettava tyypin AWG 105 °C johtimiin tai vastaaviin, paitsi jos toisin on ilmoitettu (tyyppi SF 2.200, \*\*SGI-250° C)

**ÄLÄ KOSKAAN JÄTÄ LÄMMITINTÄ ILMAN VALVONTAA SEN PALAESSA!**



# ÄLÄ KOSKAAN JÄTÄ LÄMMITINTÄ ILMAN VALVONTAA SEN PALAESSA!

## DXPH060E JA DXPH125E VARAOSALUETTELO

#	60K	125K	Kuvaus	Lkm	#	60K	125K	Kuvaus	Lkm
1	20989	20978	Ulostulon pidike	1	14	40801	40801	Kahva	1
2	20954	20979	Palotila	1	15	20962	20985	Jalustan takapaneeli	1
3	20914	20925	Ulkokuori	1	16	20976	20975	Ylärajakytkin	1
4	20955	20980	Jalustan etupaneeli	1	17	20964	20964	Kytkin	1
5	20956	20981	Jalustan vasen paneeli (kuvassa DXPH125E)	1	18	20965	20965	Virtakaapeli (J-tyyppi)	1
6	20957	20957	Sytytin	1		20966	20966	Virtakaapeli (F-tyyppi)	1
7	EI SOVELLU	20982	Ohjausnuppi	1		20967	20967	Virtakaapeli (G-tyyppi)	1
8	EI SOVELLU	20983	Koristepaneeli	1	19	20968	20986	Sisääntulon pidike	1
9	20920	20931	Jalustan alapaneeli	1	20	20969	20987	Puhaltimen moottori	1
10	20977	20958	Polttimen tukiputki	1	21	20970	20970	Aukkomutteri	1
11	20959	20984	Venttiilirakenne	1	22	20971	20988	Aukko	1
12	20974	20963	Poltinrakenne	1	23	20972	20972	Termopari	1
13	20916	20927	Jalustan oikea paneeli (kuvassa DXPH125E)	1	24	20973	20973	Sytytinelektrodi	1

ÄLÄ KOSKAAN JÄTÄ LÄMMITINTÄ ILMAN VALVONTAA SEN PALAESSA!

Suomi

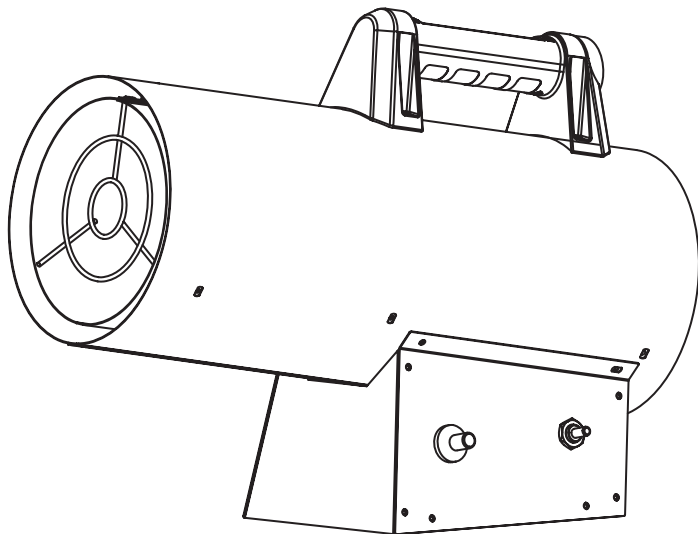
# DEWALT®

## KÄYTTÖOHJE

### KAASUPAINEINEN ILMANLÄMMITIN

DXPH060E

DXPH125E



### ⚠ Varoitus

KÄYTÄ VAIN VALMISTAJAN VARAOSIA. MUIDEN OSIEN KÄYTTÖ VOI AIHEUTTAA VAMMOJA TAI KUOLEMAN. VARAOSIA ON SAATAVANA VAIN SUORAAN TEHTAALTA JA NIIDEN ASENNUS ON ANNETTAVA PÄTEVÄN HUOLTOEDUSTAJAN TEHTÄVÄKSI.

### OSIEN TILAUSTIEDOT:

OSTO: Lisävarusteita voidaan hankkia paikalliselta DeWALT®-jälleenmyyjältä tai tehtaalta.

### HUOLTOON LIITTYVIEN TIETOJEN SAAMISEKSI:

[www.DEWALT.com](http://www.DEWALT.com)

[www.2helpU.com](http://www.2helpU.com)

Sisällyttä kaikkeen viestintään mallinumero, ostopäivä ja ongelman kuvaus.

### RAJOITETTU TAKUU

DeWALT® antaa lämmittimilleen ja lisälaitteilleen kahden vuoden takuun materiaali- ja valmistusvirheiden osalta ostopäivästä alkaen.

DeWALT® korjaa tämän tuotteen veloituksetta, jos sen todetaan olevan viallinen kahden vuoden jakson aikana, ja jos se palautetaan ostokuitin kanssa asiakkaan kustannuksella DeWALT®:lle takuuaajan kuluessa.

Myyntiin seuraavissa maissa:



GB



DE



FR



IT



NL



DK



SE



FI



NO

DeWALT®, GUARANTEED TOUGH® ja keltamusta väritys ovat DeWALT Industrial Tool Co.:n tavaramerkkejä, joita käytetään lisenssillä. ©2020 DeWALT. EGI/Enerco Group Inc. DeWALT Industrial Tool Co:n lisenssillä



2531-20  
EN 1596:1998+A1:2004  
2531DL-0078



**LÄMNA ALDRIG VÄRME ELEMENTET UTAN TILLSYN VID ANVÄNDNING!**

Om du har frågor eller kommentarer, kontakta oss

***www.DEWALT.com***

Instruktionshandbok

# DEWALT®

**INKLUDERADE SPRÅK:** ENGELSKA, TYSKA, FRANSKA,  
ITALIENSKA, HOLLÄNDSKA, FINSKA, SVENSKA, NORSKA, DANSKA

Byggvärmefläkt Propan **DXPH060E, DXPH125E**



2531/20  
EN 1596:1998+A1:2004  
2531DL-0078

**SPARA DESSA INSTRUKTIONER**

**⚠ VARNING: LÄS INSTRUKTIONERNA NOGA:** Läs och följ alla instruktioner. Placera instruktionerna på en säker plats för framtida referens. Låt inte någon som inte har läst dessa instruktioner, montera, justera, eller använda värme elementet.

# LÄMNA ALDRIG VÄRME ELEMENTET UTAN TILLSYN VID ANVÄNDNING!

## Definitioner: Säkerhetsriktlinjer

Definitionerna nedan beskriver svårighetsgraden för varje varningsord. Läs manualen och var uppmärksam på dessa symboler.

⚠ **FARA:** Indikerar en överhängande farlig situation som, om den inte undviks, kommer att leda till , **dödsfall eller allvarlig personskada.**

⚠ **VARNING:** Indikerar en potentiellt farlig situation som, om den inte undviks, kan leda till **dödsfall eller allvarlig personskada.**

⚠ **FÖRSIKTIG:** Indikerar en potentiellt farlig situation som, om den inte undviks, kan leda till , **mindre eller måttlig skada.**

**ANMÄRKNING:** Indikerar en praxis som inte är relaterad till personskada som, om den inte undviks, kan leda till **egendomsskador.**

⚠ **ANMÄRKNING:** BRAND, INANDNING OCH EXPLOSIONS RISK. HÅLL BRÄNNBARA ÄMNEN, SÅ SOM BYGGNADSMATERIAL, PAPPER ELLER KARTONG, PÅ SÄKERT AVSTÅND FRÅN VÄRME ELEMENTET SOM REKOMMENDERAS I INSTRUKTIONERNA. ANVÄND ALDRIG VÄRMAREN PÅ PLATSER SOM KAN INNEHÅLLA INSTABILA ELLER LUFTBURNA BRÄNNBARA ÄMNEN, ELLER PRODUKTER SOM BENSIN, LÖSNINGSMEDEL, LACKNAFTA, DAMM PARTIKLAR ELLER OKÄNDA KEMIKALIER.

## ⚠ **VARNING: ALLMÄN FARA**

MISSLYCKKAN MED ATT UPPFYLLA DE FÖRSIKTIGHETSÅTGÄRDER OCH ANVISNINGAR SOM TILLHANDAHÅLLS MED DENNA VÄRMARE, KAN LEDA TILL DÖDSFALL, ALLVARLIGA KROPPSSKADOR OCH FÖRLUST AV EGENDOM ELLER SKADA GENOM BRAND, EXPLOSION, BRAND, KVÄVNING, KOLMONOXIDFÖRGIFTNING, OCH/ ELLER ELEKTRISK CHOCK.

ENDAST PERSONER SOM KAN FÖRSTÅ OCH KAN FÖLJA DENNA INSTRUKTION BÖR ANVÄNDA ELLER SERVA DENNA VÄRMEFLÄKT.

OM DU BEHÖVER ASSISTANS ELLER INFORMATION OM VÄRMAREN, SÅSOM EN INSTRUKTIONS MANUAL, ETIKETTER, ETC. KONTAKTA TILLVERKAREN OCH SPARA DESSA INSTRUKTIONER FÖR FRAMTIDA REFERENS.

⚠ **VARNING:** DENNA BYGGVÄRMEFLÄKT ÄR ENDAST TILL FÖR UTOMHUSBRUK. ETT RIKLIGT VENTILATERAT OMRÅDE SOM MINST HAR 25 PROCENT YTA SOM ÄR ÖPPEN. YTOMRÅDET ÄR SUMMAN AV VÄGGENS YTA.

⚠ **VARNING:** EJ FÖR ANVÄNDNING I BEBOELIGA OMRÅDEN SOM HEM MILJÖER; FÖR ANVÄNDNING TILL UPPVÄRMNING AV OFFENTLIGA BYGGNADER HÄNVISA TILL NATIONELLA FÖRORDNINGAR.

Denna byggvärmefläkt är konstruerad i enlighet med relevanta texter i standarden EN1596: 1998 / A1: 2004. INSTALLERA ENDAST DENNA ENHET NÄR DET UPPFYLLER LOKALA / NATIONELLA LAGSTIFTNINGAR, FÖRORDNINGAR OCH STANDARDER.

## INNEHÅLL

VARNINGAR	2
VÄRMEFLÄKT SPECIFIKATIONER	3
LUKT FÖRSVAGNINGS VARNINGAR	4
SÄKERHETS VARNINGAR	5
BELYSNING / DRIFT INSTRUKTIONER	6
UNDERHÅLL	7
FELSÖKNING	9
KOPPLINGSSSCHEMA	9
SPRÄNGSKISS OCH DELAR LISTA	10
BEGRÄNSAD GARANTI	12

# LÄMNA ALDRIG VÄRME ELEMENTET UTAN TILLSYN VID ANVÄNDNING!

## Värmare Specifikationer

Modell	DXPH060E		DXPH125E	
Gas kategori	I3B/P		I3P	I3P
Gas typ	G30/G31 eller deras blandning		G31	G30/G31 eller deras blandning
Gas Consumption (max.)	G30 1310 g/h	G31 1286 g/h	1286 g/h	G30 2547 g/h G31 2501 g/h
Destinationsländer	GB, DE, FR, IT, NL, DK, SE, FI, NO		GB, DE, FR, IT, NL, DK, SE, FI, NO	GB, DE, FR, IT, NL, DK, SE, FI, NO
Nominell värmeingång	18 kW		35 kW	
Ingångstryck	1.5 bar			
Ursprungsland	Kina			
Elektrisk data	220 - 240V 50Hz 29W		220 - 240V 50Hz 44W	
PIN	2531DL-0078			
IP klass	IPx4			
Gasinloppsanslutning	G 1/4 LH			

**OBS:** Värmeingången för modell DXPH125E är justerbar från 20 kW till 35kW.



# LÄMNA ALDRIG VÄRME ELEMENTET UTAN TILLSYN VID ANVÄNDNING!



## VARNING

### Risk för kvävning

- Använd inte i oventilerade områden
- Flödet av förbränning och ventilationsluft får inte hindras
- Korrekt ventilationsluft måste finnas för att stödja förbränningsluftbehovet för värme elementet som används.
- Se specifikationsavsnittet i elementets handbok, element dataskylt eller kontakta fabriken för att bestämma förbränningsluftventilationen hos elementet.
- Brist på korrekt ventilationsluft leder till felaktig förbränning
- Felaktig förbränning kan leda till kolmonoxidförgiftning som kan leda till allvarliga skador eller dödsfall. Symtom på kolmonoxidförgiftning kan inkludera huvudvärk, yrsel och andningssvårigheter.
- Använd endast i ett väl ventilerat område och borta från brännbart material.
- Se till att fläkten fungerar korrekt innan du tänder värmaren.

## Bränslegas Lukt

LP gas och naturgas har konstgjorda luktmedel tillagda specifikt för detektering av läckage av bränslegas. Om det uppstår en gasläcka bör du kunna lukta bränslegas. Eftersom Propan (LP) är tyngre än luft bör du känna gaslukttill lukt till golvet. **ALL GASLUKT ÄR DIN SIGNAL TILL ATT VIDTA OMEDELBAR ÅTGÄRD ÅTGÄRD!**

- Få ut alla ur byggnaden och från området omedelbart. Stäng all propangas (LP) tankar eller cylinder bränstetillförselventiler, eller huvudbränstetillförselventilen som finns vid mätaren om du använder naturgas.
- Propangas (LP) är tyngre än luft och kan sätta sig i låga områden. Om du har anledning att misstänka en propanläcka ska du hålla dig borta från alla låga områden.
- Använd en telefon på avstånd från läckaget och ring till din leverantör av bränslegas och brandkår. Gå inte in i byggnaden igen eller området.

- Håll dig borta från byggnaden och borta från området tills det förklaras säkert av brandmännen och din leverantör av bränslegas.
- **SLUTLIGEN**, låt servicepersonalen och brandmännen kontrollera om det rymt gas. Låt dem lufta ut byggnaden och området innan du återvänder. Behörig utbildad servicepersonal måste reparera eventuella läckor, kontrollera om det finns ytterligare läckor och sedan återtända apparaten för dig.

## Lukt Försvagas - Ingen Lukt Upptäckt

- En del människor har försämrat luktsinne. Vissa människor kan inte känna lukten av den konstgjorda kemikalien som tillsätts till propangasen (LP) eller naturgasen. Du måste avgöra om du kan känna luktmedlet i dessa bränslegaser.
- Lär dig att känna igen lukten av propangas (LP).
- Rökning kan minska din luktförmåga. Att vara runt en lukt under en tid kan påverka din känslighet för den speciella lukten. Lukt som finns i djurhållningar kan dölja lukt från bränslegas.
- **Luktmedlet i propangas (LP) eller naturgasen är färglöst och intensiteten på dess lukt kan blekna under vissa omständigheter.**
- Om det finns ett underjordiskt läckage kan rörelsen av gas genom jorden filtrera luktmedlet.
- Lukt av propangas (LP) kan variera i intensitet på olika nivåer. Eftersom propangas (LP) är tyngre än luft kan det finnas mer lukt på lägre nivåer.
- **Var alltid känslig för den minsta gasluktt.** Om du fortsätter att upptäcka gasluktt, oavsett hur liten, behandla den som en allvarlig läcka. Ta omedelbart till åtgärd som diskuterats tidigare.

## OBSERVERA - Kritiska Punkter att Komma ihåg!

- Propan (LP) gas har en distinkt lukt. Lär dig att känna igen dessa lukter. (Referensdelarna Bränslegas lukt och Försäkring av lukt på samma sida)
- Även om du inte är utbildad i service och reparation av värme elementet ska du ALLTID känna till lukten av propangas (LP) och naturgas.
- Om du inte har utbildats ordentligt i reparation och service av propangas (LP), försök ej att tända elementet, utföra service eller reparera eller göra justeringar av värmaren på propan (LP).
- Ett periodiskt snifftest runt elementet eller vid elementets leder; dvs slang, anslutningar etc. är en bra säkerhetspraxis under alla förhållanden. Om du luktar till och med en liten mängd gas, **KONTAKTA DIN BRÄNSLEGASLEVERANTÖR OMEDELBART. VÄNTA INTE!**

## Säkerhetsåtgärder

**DETTA ÄR EN BYGGVÄRMEFLÄKT. FÖRSÖK EJ ATT VÄRMA ELLER LAGA MAT PÅ DENNA VÄRMARE.**

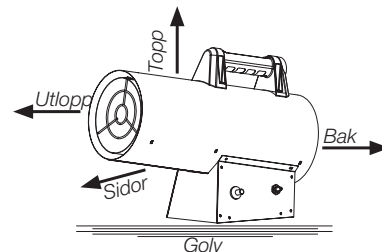
1. Kontrollera värmefläkten noggrant för skador. ANVÄND EJ en skadad värmare.
2. ÄNDRA INTE byggvärmefläkten eller använd ej en värmefläkt som har ändrats från sitt ursprungliga skick.
3. Använd endast propangas.
4. Använd endast propanförsörjning med ångor. Om du har frågor om ånguttag, fråga din propanhandlare.
5. Montera propencylindrarna vertikalt (avstängningsventilen upp). Skydda dem från att falla eller slås över och skydda dem från skador.
6. Denna byggvärmefläkt är endast avsedd för utomhusbruk. Ett väl ventilerat område måste ha minst 25% av ytan öppen. Ytarea är summan av väggens yta.
7. Om gasluket när som helst upptäcks, STÄNG OMEDELBART av drift, tills källan av gas har hittats och korrigerats.
8. Håll minsta avstånd från normalt brännbart material enligt de krav som anges i Figur 1.
9. På grund av de höga yt och avgastemperaturerna måste barn och husdjur hållas borta från apparaten när den används.
10. Använd endast på en stabil, jämn yta.
11. Använd endast den angivna elektriska kraften. Om elkabeln är skadad ska den repareras av tillverkaren, dess serviceagent eller liknande kvalificerade personer för att undvika fara.
12. Använd endast ett ordentligt jordat 3 håls vägguttag eller förlängningsladd.
13. Rör inte, hantera eller serva när den är varm eller är i drift.
14. Installera denna enhet och förvara gascylindern i enlighet med lokal / nationell lagstiftning, förordningar och standarder.
15. Täck inte apparaten när du använder den.
16. Använd inte apparaten utan att de främre och bakre skyddet är på plats. Beskyddet är utformat för skydd.
17. Vid kraftig vind måste särskild uppmärksamhet beaktas för åtgärd mot tippning av apparaten.
18. Låt reparationer och / eller underhåll endast utföras av en erkänd servicetekniker.
19. Denna apparat är konstruerad för användning av en 1,5 bar gasregulator som uppfyller EN 16129 och relevanta krav. Om du är osäker, kontakta din lokala återförsäljare.

## Ventilationskrav

- För varje kW är det nödvändigt att ha en permanent ventilation på 25 cm<sup>2</sup>, lika fördelat mellan golv och hög nivå, med ett minimalt utlopp på 250 cm<sup>2</sup>.
- Rikta aldrig varmluftsflödet mot cylindern.
- Använd aldrig värmefläkten utan locket.
- Överskrid inte 100 W / m<sup>3</sup> fritt utrymme. Rummets minsta volym måste vara större än 100 m<sup>3</sup>.
- Värmefläkten måste placeras där det inte finns någon risk för brand. Varmluftsutloppet måste vara minst 3,5 m från alla brandfarliga väggar eller tak och får aldrig riktas mot gascylindern.
- Använd inte rör arbete. Blockera inte inlopps eller utloppsdelarna på fläkten.
- Använd inte byggvärmefläkten i källare, källarvåningar eller i rum under marknivå.
- Om värmefläkten måste arbeta under en lång period med maximal kapacitet, är det möjligt att det bildas is i cylindern. Detta beror på överdrivet ånguttag. Inte av detta skäl, eller av något annat, bör cylindern värmas upp. För att undvika denna effekt, eller åtminstone för att minska den, använd en stor cylinder eller två cylindrar ihopkopplade.
- **Tillverkaren ansvarar ej för någon skada eller åverkan om man inte uppmärksammar ovanstående punkter. Användningen av denna produkt och de element som krävs för detta ändamål är helt och hållet på ägarens egen risk.**

**Bild 1: Minsta avståndet från brännbart material**

Från utloppet	Från sidor	Från toppen	Från bak
3,5m	2m	2m	2,5m



# LÄMNA ALDRIG VÄRME ELEMENTET UTAN TILLSYN VID ANVÄNDNING!

## Gaskrav

- Använd endast propan, butan eller dessa blandade. Se märkningsetiketten på apparaten.
- Apparaten kräver godkänd gas slang <150 cm längd och en gasregulator. Slang och regulatorer måste överensstämma med lokala standardkoder.
- Regulatorens maximala inloppstryck får inte överstiga 690 kPa.
- Gasanslutning. 635 cm LH ska användas med 1,5 Bar regulator. Gasanslutning .9525 cm LH ska användas med 0-2 barregulator (vid behov).
- Denna apparat är konstruerad för gascylindrar upp till 15 kg.
- En bucklad, rostig eller skadad gascylinder kan vara farlig och bör kontrolleras av en auktoriserad dedikerad gasspecialist. Använd aldrig en gascylinder med en skadad ventilanslutning.
- Anslut aldrig en oreglerad gascylinder till värme fläkten.
- Vrid aldrig de flexibla rören och slangarna. Vridning på rör och slangar kan leda till gasläckage över tid.
- Installation av gascylindern måste överensstämma med lokala koder, eller i frånvaro av lokala koder, enligt standarden för lagring och hantering av flytande petroleumgaser.
- Koppla bort gascylindern när värme fläkten inte används.
- Isolera apparaten från cylindern med cylinderventilen när den inte är i drift.

## Läcktestning

Gasanslutningar på värmeflärkten är läckttestade från fabriken före leverans. En fullständig gastäthetskontroll måste utföras på installationsplatsen på grund av eventuell felaktig hantering i transport och / eller installation eller på grund av överdrivet tryck som appliceras på värmeflärkten. Värmeflärkten måste kontrolleras med en full cylinder.

1. Se till att säkerhetsstyrventilen är i läge "OFF".
2. Gör en tvålvattenlösning av en del flytande tvättmedel och en del vatten. Tvålvattenlösningen kan appliceras med en sprayflaska, pensel eller trasa på alla gasanslutningar.  
**⚠ VARNING:** Testa aldrig läckage vid rökning! Vid gasläckage får apparaten inte användas eller om den fortfarande är tänd, måste gasförsörjningen vara avstängd och läckaget repareras innan den kan användas igen.
3. Slå på gasförsörjningen. Och kontrollera alla anslutningar med tvålvattenlösningen. Tvålbubblor kommer att komma upp i fall av en läcka.
4. Stäng av gasförsörjningen vid läckage. Dra åt eventuella läckande beslag, slå sedan på gasförsörjningen och kontrollera igen. Kontakta din återförsäljare eller gasleverantör för hjälp om bubblor fortsätter att dyka upp.

## Belysning / bruksanvisning

### Förberedelse för drift

1. Ta bort värmeflärkten från lådan och kontrollera eventuella fraktskador. Om skada finns, meddela omedelbart fabriken.
  2. Öppna handtaget och plastpåsen med skruvarna.
  3. Fäst handtaget på fläkten med de fyra skruvarna som följer med de fyra hålen på enhetens överkant. Se Figur 2.
- ANMÄRKNING:** En gas slang och en gasregulator ingår INTE till värmeflärkten.
4. Anslut gasförsörjningsslangen till tryckregulatorn och anslut regulatorn till en lämplig gascylinder.
  5. Anslut slangen till gasanslutningen på värmeflärkten genom att rotera slangmonteringen medurs.
  6. Öppna cylinderns gasventil och kontrollera alla gasanslutningar med en tvål- och vattenlösning enligt beskrivningen ovan.
  7. Anslut elsladden till väl jordad 220V ~ 240V, 50Hz strömkälla.

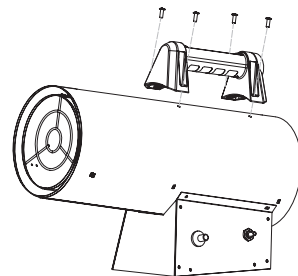
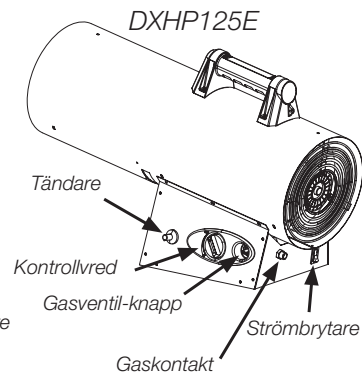
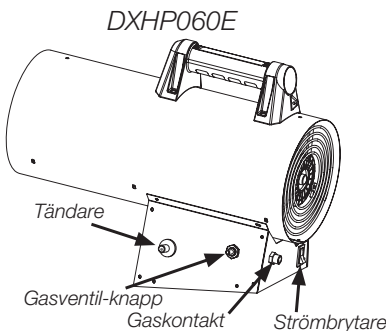


Bild 2



## Starta Värmeflākten

1. Vrid strömbrytaren till "ON" (I) läget för att starta flākten.

**ANMÄRKNING:** Innan start, låt alltid värmeflākten (flākten) köra i 20 sekunder för att rensa bränsle.

2. Öppna långsamt huvudventilen vid propencylindern.
3. Tryck på gasventilknappen och tryck tändaren (piezoelektrisk tändare) upprepade gånger tills lågan tänds
4. Håll ventilknappen intryckt i ungefär 10 sekunder när värmeflākten tänds. Om den stannar när ventilknappen har släppts, vänta en minut och upprepa startfunktionen, håll ventilknappen intryckt längre.
5. Vrid endast på ratten till lägsta inställning på modellen DXPH125E. När flākten tänds kan du justera bränningshastigheten genom att ställa in ratten på önskad nivå.

**OBS:** Kontakta din leverantör om något problem fortsätter.

**ΔFÖRSIKTIG:** Om tändning är svår eller oregelbunden innan du upprepar startstegen, se till att flākten inte är låst och att luftinloppet och utloppet är obehindrat.

## Stoppa Värmeflākten

1. Stäng ventilen på propencylindern ordentligt.
2. Fortsätt att använda flākten tills allt bränsle i slangen har bränts och vrid sedan strömbrytaren till läget OFF (O).
3. Koppla ur elsladden.

**ΔFÖRSIKTIG:** Stäng alltid av bränsletillförseln:

- Innan du kopplar bort elen
- Innan du flyttar apparaten
- Efter varje användning

## OMSTART EFTER SÄKERHETSAVSTÄNGNING

1. Apparaten kan också användas som endast flākt.
2. Ta i sådana fall ut gasförsörjningsslangen och anslut värmepluggen till en lämplig elektrisk tillförsel.
3. Ställ strömbrytaren i läge "ON" (I).

**OBS:** Om en ny tank just har anslutits, vänligen vänta minst en minut eller mer för luften i gasledningen att rensas ut genom pilothålet.

**ΔVARNING:** Håll alltid en torr kemisk brandsläckare lätt tillgänglig.

## FLÅKT DRIFT

1. Apparaten kan också användas som endast flākt.
2. Ta i sådana fall ut gasförsörjningsslangen och anslut värmepluggen till en lämplig elektrisk tillförsel.
3. Ställ strömbrytaren i läge "ON" (I).

## Ersätta gascylindern

1. Stäng av värme elementet.
2. Stäng gascylinderns ventil.
3. Koppla bort regulatorn från cylindern enligt anvisningarna som medföljde regulatorn.
4. Sätt tillbaka cylindern.

**ΔVARNING:** Ta endast ur kontakten eller tätningslocket från cylinderventilen och byt gascylindern på ett tillräckligt ventilerat område, bort från någon antändningskälla (ljus, cigaretter och andra eldningsapparater).

5. Kontrollera att packningen finns och dess tillstånd, innan du ansluter regulatorn till den nya cylindern.
6. Kontrollera att regulator tätningen är korrekt monterad och kan fullgöra sin funktion
7. Utför läcktest med tvålvattenlösning.

## Underhåll

- Värmeflākten ska inspekteras före varje användning och minst en gång per år av en kvalificerad person. Innan du startar någon underhållsoperation på flākten, koppla loss den från både gas och elektriska källor.

**ΔVARNING:** Hela gassystemet, slang, regulator, pilot och brännare bör kontrolleras med avseende för läcka innan användning. Men minst en gång i månaden och varje gång gascylindern byts. Kontrollera slangaggregatet för tecken på extrem nötning, skärning eller slitage. Misstänkta områden ska läck-testas. Om slangen läcker måste den ersättas med en ny, som överensstämmer med lokala standardkoder. Om den visar tecken på sprickor, delning eller annan försämring ska den bytas mot en ny slang med samma längd och av motsvarande kvalitet. Byt ut gasröret / slangen inom det intervall som beskrivs med slangen.

Om enheten inte har använts under en lång period rekommenderar vi att en tekniker utför en allmän kontroll innan den används. Det är viktigt att utföra följande:

1. Kontrollera regelbundet gasförsörjningens slangförhållanden och använd endast originalreservdelar om det ändras.
2. Kontrollera anslutningarna på säkerhetstermostaten och termoelementet: de måste alltid vara rena. Rengör vid behov flāktbladet och insidan av värmeflākten med tryckluft.

## Underhåll

Ett farligt tillstånd kan uppstå om en värmefläkt används som har modifierats eller inte fungerar korrekt. När fläkten fungerar korrekt:

- \* Flamman finns inuti värmefläkten.
- \* Flamman är väsentligen blå med kanske lite gul tippning.
- \* Det finns ingen stark obehaglig lukt, svidandes ögon eller annat fysiskt obehag.
- \* Det finns ingen rök eller sot inuti eller utanför värmefläkten.
- \* Det finns inga oplanerade eller oförklarade avstängningar av värmefläkten.

Dellistorna och sprängskiss visar fläkten så som den är konstruerad. Använd inte en fläkt som skiljer sig från den som visas. Använd i detta avseende endast slang, regulator och cylinderanslutningsarmatur (kallad ett POL-beslag) som medföljer fläkten. **VIKTIGT** Anpassa färgbandet på hängmärket som är fäst vid slangmonteringen med färgen på etiketten som ligger nära propaninloppsbeslaget på fläkten. Använd inte alternativ. För denna värmefläkt levereras regulatorn från fabriksinställningen enligt "specifikationer". Om det finns osäkerhet om regulatorns inställning, låt den kontrolleras.

En värmefläkt som inte fungerar korrekt måste repareras, men endast av en utbildad, erfaren serviceperson.

Garantiprodukter repareras utan kostnad för varken delar eller arbetskraft. Vänligen inkludera ett kort uttalande som anger datum, inköpsplats, typ av problem och inköpsbevis.

Produkter utan garanti kommer att repareras med en avgift för delar och arbete.

## Lagring

- Se till att fläkten är i "Off"-läge.
- Stäng av gasen vid LP-gasförsörjningscylindern när fläkten inte används.
- Koppla bort gasbehållaren från gasvärmaren.
- Förvara gasbehållaren i ett svalt, torrt, mörkt och väl ventilerat rum. En frånkopplad cylinder måste ha gängade ventilpluggar tätt installerade. Placera den långt borta från brännbara, explosiva eller heta material och helst inte i hemmet. Dessutom ska den aldrig förvaras i källaren eller vinden.
- Cylindern måste förvaras utom räckhåll för barn.
- Förvara eller använd inte bensin eller andra brandfarliga ångor och vätskor i närheten av denna eller någon annan apparat.
- När fläkten ska förvaras inomhus måste anslutningen mellan LP-gasförsörjningscylindern och värmefläkten kopplas bort och cylindern / cylindrarna tas bort från fläkten och förvaras utanför dörrarna.
- Kontrollera gasventilens täthet och för skador. Om du misstänker en skada, ska den bytas av din gashandlare.

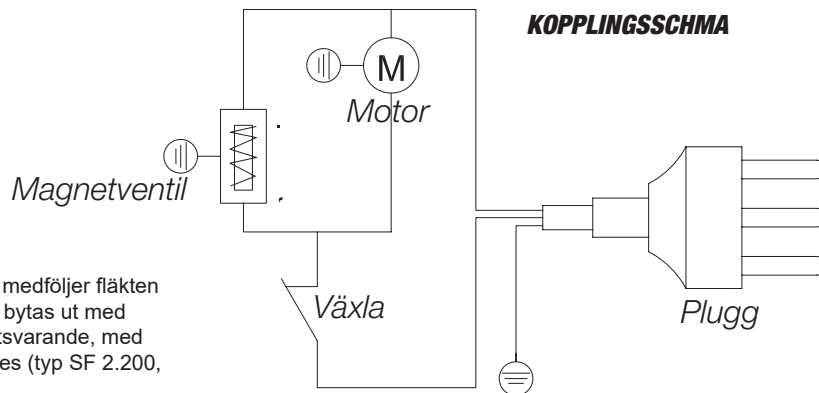
## Rengöring och skötsel

**⚠VARNING:** Se till att fläkten är i "Off" läge och är sval. Rengör inte fläkten med rengöringsmedel som är brännbara eller frätande.

- Torka av pulverbelagda ytor med mjukt, fuktigt trasa och tvålatten.
- Avlägsna skräp, spindel och insektsbon från ventilationsöppningen i cylinderns hölje, kontrollfack, brännare och cirkulationsluftspassager på värmefläkten med kraftig rörrensare eller tryckluft för att hålla apparaten ren och säker för användning.
- Rengör aldrig portar eller andra öppningar med tandpetare eller andra ting som kan brytas och blockera portarna.



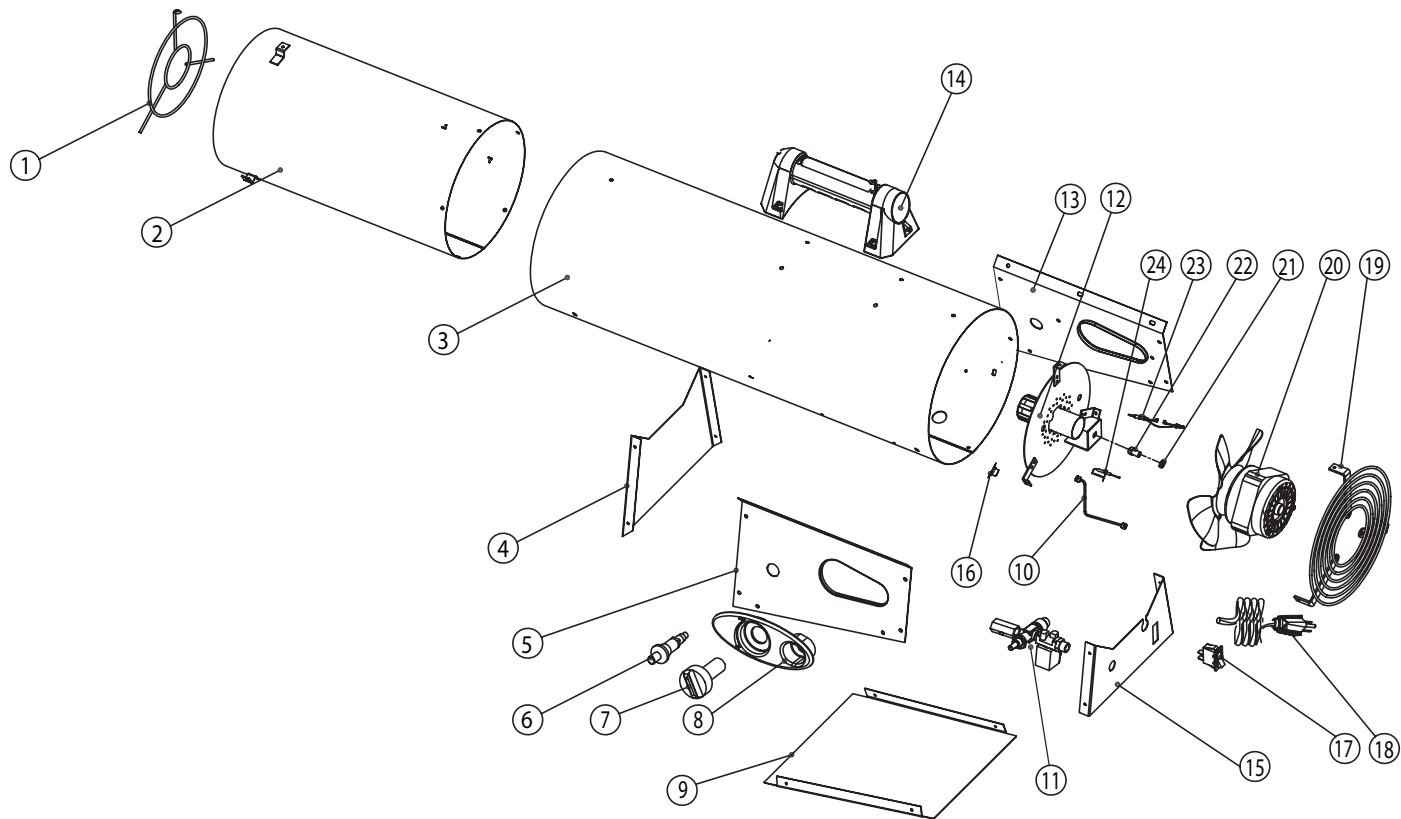
PROBLEM	ORSAK	LÖSNING
Motorn fungerar inte	Ingen elförsörjning	Kontrollera terminalkortet med en testare
Motorn fungerar, men brännaren tänds inte och efter några sekunder stannar värmefläkten	Cylindergaskranen är stängd	Öppna gaskranen
	Cylindern är tom	Använd en ny cylinder
	Munstycket är hindrat	Ta bort munstycket och rengör det
	Magnetventilen är inte öppen	Kontrollera att magnetventilen fungerar
Brännaren tänds, men efter några sekunder stannar fläkten	Det finns ingen gnista	Kontrollera elektrodens position
	Värmefläkten är inte ordentligt jordad	Kontrollera och anslut ordentligt
	Defekt anslutning mellan sensor och säkerhetsanordning	Kontrollera och anslut ordentligt
Värmefläkten stannar under drift	Defekt säkerhetsanordning	Byt ut säkerhetsanordningen
	Överdriven gasförsörjning	Kontrollera tryckreduceraren och byt ut den vid behov
	Otillräckligt luftflöde	Kontrollera att motorn fungerar korrekt
	Otillräcklig gasförsörjning på grund av isbildning på cylindern	Kontrollera och använd en större cylinder eller två cylindrar anslutna tillsammans



Om originalledningar som medföljer fläkten måste bytas ut måste den bytas ut med typ AWG 105 ° C eller motsvarande, med undantag av vad som anges (typ SF 2.200, \*\* SGI-250 ° C)

LÄMNA ALDRIG VÄRME ELEMENTET UTAN TILLSYN VID ANVÄNDNING!

Svenska



# LÄMNA ALDRIG VÄRME ELEMENTET UTAN TILLSYN VID ANVÄNDNING!

## DXPH060E & DXPH125E Bytesdelar lista

#	60K	125K	Beskrivning	Antal	#	60K	125K	Beskrivning	Antal
1	20989	20978	Uttagshållare	1	14	40801	40801	Handtag	1
2	20954	20979	Förbränningskammare	1	15	20962	20985	Bakre bakpanel	1
3	20914	20925	Yttre trumma	1	16	20976	20975	Hög gränslägesbrytare	1
4	20955	20980	Baspanel	1	17	20964	20964	Växel	1
5	20956	20981	Basen vänster panel (DXPH125E visas)	1	18	20965	20965	El sladd (J-typ)	1
6	20957	20957	Tändare	1		20966	20966	El sladd (F-typ)	1
7	Ej Tillämplig	20982	Kontrollvred	1		20967	20967	El sladd (G-typ)	1
8	N/A	20983	Dekoratив panel	1	19	20968	20986	Inloppsbehållare	1
9	20920	20931	Nedre bottenpanelen	1	20	20969	20987	Fläktmotor	1
10	20977	20958	Brännarförsörjningsrör	1	21	20970	20970	Öppningsmutter	1
11	20959	20984	Ventilmontering	1	22	20971	20988	Öppning	1
12	20974	20963	Brännarenhet	1	23	20972	20972	Termoelement	1
13	20916	20927	Högerpanel på basen (DXPH125E visas)	1	24	20973	20973	Tändeledrod	1

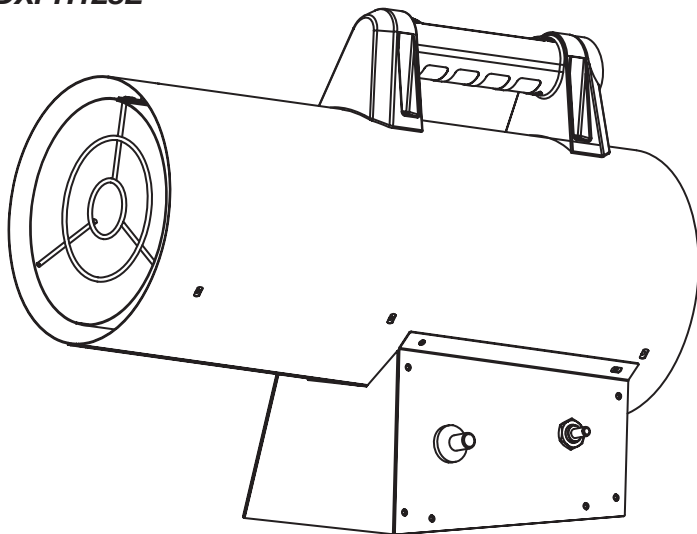
LÄMNA ALDRIG VÄRME ELEMENTET UTAN TILLSYN VID ANVÄNDNING!

Svenska

# DEWALT®

## INSTRUKTIONSHANDBOK

BYGGVÄRMEFLÄKT PROPAN  
DXPH060E  
DXPH125E



### ⚠ Varning

ANVÄND ENDAST ERSÄTTNINGSEDELAR FRÅN TILLVERKAREN.  
ANVÄNDNING AV ANDRA DELAR KAN ORSAKA SKADA ELLER DÖD.  
ERSÄTTNINGSEDELAR ÄR BARA TILLGÄNGLIGA DIREKT FRÅN FABRIKEN  
OCH MÅSTE INSTALLERAS AV EN KVALIFICERAD SERVICE FÖRMEDLING.

### BESTÄLLNING AV DELAR INFORMATION:

KÖP: Tillbehör kan köpas hos alla DEWALT® lokala återförsäljare eller direkt från fabriken.

### FÖR INFORMATION OM SERVICE:

[www.DEWALT.com](http://www.DEWALT.com)

[www.2helpU.com](http://www.2helpU.com)

Ange modellnummer, inköpsdatum och beskrivning av problem i all kommunikation.

### BEGRÄNSAD GARANTI

DEWALT® garanterar att dess värme element och tillbehör är fria från defekter i material och utförande under en period på två år från inköpsdatum.

DEWALT® kommer att reparera eller ersätta denna produkt kostnadsfritt om den har visat sig att vara felaktig under tvåårsperioden och returneras på kundens bekostnad med bevis av köp till DEWALT® inom garantiperioden.

Till salu i följande länder:



GB



DE



FR



IT



NL



DK



SE



FI



NO

DEWALT®, GARANTERAD TOUGH® och det gula och svarta färgschemat är varumärken som tillhör DEWALT Industrial Tool Co., som används under licens. © 2020 DEWALT. EGI / Enerco Group Inc. Under licens från DEWALT Industrial Tool Co



2531/20  
EN 1596:1998+A1:2004  
2531DL-0078

**FORLAT ALDRI VARMEAPPARATET UTEN TILSYN MENS DET BRENNER!**

*Hvis du har spørsmål eller kommentarer, kontakt oss på*

***www.DEWALT.com***

**BRUKSANVISNING**

# DEWALT®

**INKLUDERTE SPRÅK:** ENGELSK, TYSK, FRANSK, ITALIENSK,  
NEDERLANDSK, FINSK, SVENSK, NORSK OG DANSK

**Propan-trykkluftvarmer DXP060E, DXP0125E**

**CE**

2531/20  
EN 1596:1998+A1:2004  
2531DL-0078

**TA VARE PÅ DISSE INSTRUKSJONENE**

**⚠ ADVARSEL: LES INSTRUKSJONENE NØYE:** Les og følg alle instruksjoner. Plasser instruksjonene på et trygt sted for fremtidig referanse. Ikke la noen som ikke har lest disse anvisningene montere, justere eller betjene varmeapparatet.

# FORLAT ALDRI VARMEAPPARATET UTEN TILSYN MENS DET BRENNER!

## Definisjoner: Sikkerhetsretningslinjer

Definisjonene nedenfor beskriver alvorlighetsgraden for hvert signalord. Les bruksanvisningen og ta hensyn til disse symbolene.

**⚠ FARE:** Indikerer en overhengende farlig situasjon som, hvis den ikke unngås, vil resultere i **død eller alvorlig personskade**.

**⚠ ADVARSEL:** Indikerer en overhengende farlig situasjon som, hvis den ikke unngås, **kan** resultere i **død eller alvorlig personskade**.

**⚠ FORSIKTIG:** Indikerer en overhengende farlig situasjon som, hvis den ikke unngås, **kan** resultere i mindre eller **moderat personskade**.

**MERKNAD:** Indikerer en praksis som ikke er relatert til personskade som, hvis den ikke unngås, kan føre til skade på eiendom.

**⚠ADVARSEL:** BRANNSKADE-, ØYE- OG EKSPLOSJONSFARE. HOLD SOLIDE BRENNBARE MATERIALER, SOM BYGGEVARER, PAPIR ELLER PAPP, PÅ TRYGG AVSTAND FRA VARMEAPPARATET, ETTER ANBEFALING I INSTRUKSJONENE. ALDRI BRUK VARMEAPPARATET I ROM SOM INNEHOLDER ELLER KAN INNEHOLDE FLYKTIGE ELLER LUFTBÅRNE BRENNBARE MATERIALER ELLER PRODUKTER SOM BENSIN, LØSEMIDLER, TYNNER, STØVPARTIKLER ELLER UKJENTE KJEMIKALIER.

## **⚠ ADVARSEL: GENERELL FARE**

DERSOM FORHOLDSREGLER OG INSTRUKSJONER SOM FØLGER MED DETTE VARMEAPPARATET IKKE FØLGES, KAN DETTE RESULTERE I DØD, ALVORLIG PERSONSKADE OG MATERIELLE TAP ELLER SKADER SOM SKYLDES FARE FOR BRANN, EKSPLOSJON, BRANNSKADER, KVELNING, KARBONMONOKSIDFORGIFTNING OG/ELLER ELEKTRISK STØT.

KUN PERSONER SOM KAN FORSTÅ OG FØLGE INSTRUKSJONER SKAL BRUKE ELLER VEDLIKEHOLDE DETTE VARMEAPPARATET.

HVIS DU TRENGER HJELP ELLER INFORMASJON OM VARMEAPPARATET, SLIK SOM INSTRUKSJONSMANUAL, MERKELAPPER OSV. TA KONTAKT MED PRODUSENTEN. TA VARE PÅ DISSE INSTRUKSJONENE FOR FREMTIDIG BRUK.

**⚠ADVARSEL:** DETTE VARMEAPPARATET ER TIL UTENDØRS BRUK. ET RIKELIG VENTILERT OMRÅDE MÅ HA ET MINIMUM PÅ 25 % AV OVERFLATEAREALET ÅPENT. AREALET ER SUMMEN AV VEGGENES OVERFLATE.

**⚠ADVARSEL:** SKAL IKKE BRUKES TIL OPPVARMING AV BOLIGOMRÅDER; FOR BRUK I OFFENTLIGE BYGNINGER, REFERER TIL NASJONALE BESTEMMELSER.

Varmeapparatet er konstruert i samsvar med relevante tekster i EN1596:1998/A1:2004-standarden. INSTALLER DENNE ENHETEN BARE NÅR DEN SAMSVARER MED LOKALE/NASJONALE LOVER, VEDTEKTER OG STANDARDER.

## INNHold

ADVARSLER	2
SPESIFIKASJONER FOR VARMEAPPARATET	3
ADVARSLER FOR SVEKKET LUKT	4
SIKKERHETSTILTAK	5
TENNING/BRUKSANVISNING	6
VEDLIKEHOLD	7
ADVARSLER	9
KOBLINGSSKJEMA	9
SPLITTEGNING OG DELELISTE	10
BEGRENSET GARANTI	12

# FORLAT ALDRI VARMEAPPARATET UTEN TILSYN MENS DET BRENNER!

## Spesifikasjoner for varmeapparatet

Modell	DXPH060E		DXPH125E	
Gasskategori	I3B/P		I3P	I3P
Gasstype	G30/G31 eller blanding av dem		G31	G31
Gassforbruk (maks.)	G30 1310 g/t	G31 1286 g/t	1286 g/t	G30 2547 g/t G31 2501 g/t
Destinasjonsland	GB, DE, FR, IT, NL, DK, SE, FI, NO		GB, DE, FR, IT, NL, DK, SE, FI, NO	GB, DE, FR, IT, NL, DK, SE, FI, NO
Nominell varmetilførsel	18 kW		35 kW	
Inngangstrykk	1,5 bar			
Opprinnelsesland	Kina			
Elektriske data	220 - 240V 50Hz 29W		220 - 240V 50Hz 44W	
PIN	2531DL-0078			
IP-klasse	IPx4			
Kobling for gassinnløp	G 1/4 LH			

**MERK:** Varmetilførselen for modell DXPH125E er justerbar fra 20 kW til 35 kW.



# FORLAT ALDRI VARMEAPPARATET UTEN TILSYN MENS DET BRENNER!



## ADVARSEL

### Kvelningsfare

- **Må ikke brukes i uventilerte områder**
- **Flyten av forbrennings- og ventilasjonsluft må ikke hindres**
- **Riktig ventilasjonsluft må bli tilført for å fylle behovet for forbrenningsluft til varmeapparatet som brukes.**
- **Se spesifikasjonsdelen til varmeapparatets brukerveiledning, varmeapparatets dataskilt eller kontakt fabrikk for å bestemme kravene for forbrenningsluft til varmeapparatet.**
- **Mangel på skikkelig ventilasjonsluft vil føre til feil forbrenning**
- **Feil forbrenning kan føre til kullsforgiftning, som kan føre til alvorlig skade eller død. Symptomer på kullsforgiftning kan være hodepine, svimmelhet og pustevansker.**
- **Bruk bare i et godt ventilert område og borte fra brennbar materialer.**
- **Forsikre deg om at viften fungerer som den skal før du tenner varmeapparatet**

## Lukt av brenngass

LP-gass og naturgass har kunstige luktstoffer som tilsettes spesielt for deteksjon av brenngasslekkasjer. Dersom det oppstår gasslekkasje, bør du være i stand til å lukte brenngassen. Siden propan (LP) er tyngre enn luft, bør du lukte etter gasslukkt lavt mot gulvet. **ALL GASSLUKT ER ET SIGNAL TIL**

### UMIDDELBAR HANDLING!

- Ikke gå til noen handling som kan antenne brenselgassen.
- Ikke bruk noen elektriske brytere.
- Ikke dra i strømtilførselen eller skjøteledningene.
- Ikke tenn fyrstikker eller bruk andre flammekilder.
- Ikke bruk telefonen din.
- Få alle ut av bygningen og bort fra området umiddelbart. Lukk alle ventiler til tanken eller flasken med propangass (LP) eller hovedtilførselsventilen ved måleren hvis du bruker naturgass.
- Propangass (LP) er tyngre enn luft, og kan legge seg i lavere områder. Når du har grunn til å mistenke en propanlekkasje, hold deg unna alle lavtliggende områder.

- *Bruk en telefon vekk fra området til lekkasjen og ring brenngassleverandøren og brannvesenet. Ikke gå inn i bygningen eller området igjen.*
- *Hold deg ute av bygningen og borte fra området før det blir erklært trygt av brannmannskap og brenngassleverandør.*
- *TIL SLUTT, la servicepersonalet for brenngassen og brannmannskapet se etter lekket gass. La dem luften ut bygningen og området før du går tilbake. Riktig opplært servicepersonale må reparere eventuelle lekkasjer, sjekke etter ytterligere lekkasjer og deretter tenne apparatet for deg.*

## Svekket lukt – ingen lukt oppdaget

- *Noen personer har dårlig luktesans. Noen mennesker kan ikke lukte lukten av menneskeskapt kjemikalier som er lagt til propangass (LP) eller naturgass. Du må finne ut om du kan lukte luktstoffet i disse brenngassene.*
- *Lær deg å kjenne igjen lukten av propangass (LP) og naturgass.*
- *Røyking kan redusere evnen din til å lukte. Å være i nærheten av en lukt i en tidsperiode kan påvirke følsomheten din for den aktuelle lukten. Lukt som er til stede i bygninger med dyrehold kan maskere lukten av brenselgass.*
- *Luktstoffet i propangass (LP) og naturgass er fargeløst og intensiteten av lukten kan svekkes under visse omstendigheter.*
- *Hvis det er en underjordisk lekkasje, kan bevegelsen av gass gjennom jordsmonnet filtrere luktstoffet.*
- *Lukt fra propangass (LP) kan variere i intensitet ved ulike nivåer. Siden propangass er tyngre enn luft, kan det være mer lukt ved lavere beliggenhet.*
- *Vær alltid følsom for den minste gasslukkt. Hvis du fortsetter å oppdage noen gasslukkt, uansett hvor liten, behandle den som en alvorlig lekkasje. Gå umiddelbart til handling, som tidligere diskutert.*

## VIKTIG – Kritiske punkter å huske!

- *Propan (LP) har en karakteristisk lukt. Lær å gjenkjenne denne lukten. (Se Lukt av brenngass og Svekket lukt-delen på denne samme siden)*
- *Selv om du ikke er skikkelig opplært i service og reparasjon av varmeapparatet, vær ALLTID bevisst over lukten av propangass (LP) og naturgass.*
- *Hvis du ikke har fått skikkelig opplæring i reparasjon og service av propangass (LP), så ikke prøv å tenne på varmeapparat, utføre service og reparasjoner, eller gjøre noen justeringer på varmeapparatet på brenselssystemet for propangass (LP).*
- *En periodisk luktetest rundt apparatet eller ved varmeapparatets ledd; dvs. slange, forbindelser, etc., er under alle forhold et godt sikkerhetstiltak. Hvis du lukter selv en liten mengde gass, TA KONTAKT MED BRENNGASSLEVERANDØREN*
- **SNAREST. IKKE VENT!**



# FORLAT ALDRI VARMEAPPARATET UTEN TILSYN MENS DET BRENNER!

## Sikkerhetstiltak

**DETTE ER ET VARMEAPPARAT. IKKE PRØV Å VARME OPP ELLER LAGE MAT PÅ DETTE VARMEAPPARATET.**

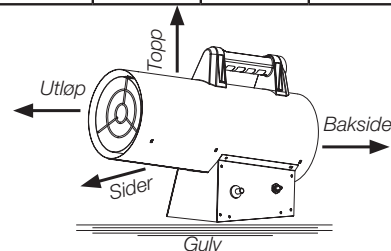
1. Sjekk varmeapparatet grundig for skader. IKKE bruk et skadet varmeapparat.
2. IKKE modifierer varmeapparatet eller betjen et varmeapparat som er blitt modifisert i forhold til sin opprinnelige tilstand.
3. Bruk kun propangass.
4. Bruk kun propanforsyning med DAMPUTTREKKING. Hvis du har noen spørsmål om damputtrekking, spør propanforhandleren.
5. Monter propanbeholdere vertikalt (stengeventilen opp). Sikre dem fra å falle eller bli slått over ende og beskytt dem mot skade.
6. Dette varmeapparatet er kun for utendørs bruk. Et rikelig ventilert område må ha et minimum på 25 % av overflatearealet åpent. Arealet er summen av veggens overflate.
7. Hvis noen som helst gasslukket blir oppdaget, AVBRYT ØYEBLIKKELEG operasjonen inntil gasskilden har blitt lokalisert og korrigeret.
8. Behold en viss klaring fra normalt brennbar materiale iht. krav som er angitt i figur 1.
9. På grunn av den høye overflate- og eksostemperatureren, må barn og kjæledyr holdes borte fra dette apparatet når det er i bruk.
10. Bruk bare på en stabil, jevn overflate.
11. Brukes bare med den strømmen som er spesifisert. Hvis strømledningen er skadet, skal den repareres av produsenten, forhandleren eller tilsvarende kvalifisert personell for å unngå fare.
12. Bruk bare en riktig jordet 3-polet stikkontakt eller skjoteledning.
13. Ikke flytt, håndter eller utfør service mens den er varm eller i drift.
14. Installer denne enheten og lagre gassflasken i henhold til lokal/nasjonal lovgivning, forordninger og standarder.
15. Ikke dekk til apparatet når det er i bruk.
16. Ikke bruk apparatet uten fremre og bakre sikringer på plass. Sikringene er utformet for beskyttelse.
17. I tilfelle kraftig vind, må spesiell oppmerksomhet rettes mot vipning av apparatet.
18. Eventuelle reparasjoner og/eller vedlikehold skal utføres av en kompetent servicetekniker.
19. Dette apparatet er utformet for bruk med 1,5 bar gassregulator i samsvar med EN 16129 og relevante krav. Hvis du er i tvil, ta kontakt med din lokale forhandler.

## Ventilasjonskrav

- For hver kW er det nødvendig å ha permanent ventilasjon på 25 cm, likt fordelt mellom gulvet og høyt nivå, med et minimumsutløp på 250 cm.
- Rett aldri den varme luftstrømmen mot flasken.
- Bruk aldri varmeapparatet uten deksel.
- Ikke overstig 100 W/m ledig plass. Minste volum på rommet må være større enn 100 m.
- Varmeapparatet må plasseres der det ikke er fare for brann. Varmluftutløpet må være minst 3,5 m fra en hvilken som helst brennbar vegg eller tak, og må ikke være rettet mot gassflasken. Er du i tvil, ta kontakt med leverandøren din.
- Ikke bruk kanalsystemer. Ikke blokker innløps- eller utløpsdelene til varmeapparatet.
- Ikke bruk varmeapparatet i kjellere, sokkeletasjer eller noe rom under bakkenivå.
- Hvis varmeapparatet må arbeide i en lang periode på maksimal kapasitet, er det mulig at is vil dannes på gassflasken. Dette er på grunn av stort damputtak. Gassflasken bør ikke varmes opp på grunn av dette, eller av noen annen årsak. For å unngå denne effekten, eller i det minste å redusere den, bruk en stor flaske eller to flasker koblet sammen.
- **Produsenten er ikke ansvarlig for eventuelle skader hvis oppmerksomhet ikke blir gitt punktene beskrevet ovenfor. Anvendelsen av dette produktet og elementene som kreves for dette formålet, er helt og fullt sluttbrukerens egen risiko.**

**Figur 1: Minimumsavstander fra brennbart materiale**

Fra utløpet	Fra sidene	Fra toppen	Fra baksiden
3,5m	2m	2m	2,5m



# FORLAT ALDRI VARMEAPPARATET UTEN TILSYN MENS DET BRENNER!

## Gasskrav

- Bruk bare propan, butan eller en blanding. Se typeskiltet på apparatet.
- Apparatet forutsetter godkjent gasslange i <150 cm lengde og en gassregulator. Slangen og regulatoren må samsvare med de lokale standardkodene.
- Regulatorens maksimale innløpsstrykk må ikke overskride 690 kPa.
- Gasstilkobling 0,635 cm LH skal brukes sammen med 1,5 bar regulator.
- Gassforbindelse 0,9525 cm LH skal brukes med 0-2 bar regulator (ved behov).
- Dette apparatet er beregnet for gassflasker opp til 15 kg.
- En bulkete, rusten eller skadet gassflaske kan være farlig og bør kontrolleres av en autorisert, dedikert gassspesialist. Bruk aldri en gassflaske sammen med en skadet ventilforbindelse.
- Koble aldri en uregulert gassflaske til varmeapparatet.
- Ikke fordrei de fleksible rørene og slangene. Torsjonsbelastning på rør og slanger kan føre til gasslekkasje over tid.
- Installasjon av gassflasken må samsvare med lokale koder, eller i fravær av lokale forskrifter, til standarden for lagring og håndtering av flytende petroleumsgasser.
- Koble fra gassflasken når varmeapparatet ikke er bruk. Isoler apparatet fra sylindringen ved hjelp av sylinderventilen når den ikke er i drift.

## Lekkasjetesting

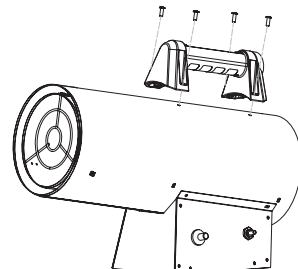
Gasstilkoblinger på varmelementet lekkasjetestes på fabrikken før utsending. En fullstendig gasstetthetssjekk må utføres på installasjonsstedet på grunn av mulig feilhåndtering under frakt og/eller installasjon eller på grunn av overtrykk som tilføres varmeapparatet. Varmeapparatet må sjekkes med en full flaske.

1. Pass på at sikkerhetskontrollventilen med fire posisjoner er i «OFF»-posisjon.
2. Lag en såpevannløsning av én del flytende vaskemiddel og én del vann. Såpevannløsningen kan påføres med en sprayflaske, børste eller fille for alle gasstilkoblinger.  
**⚠ ADVARSEL:** Aldri lekkasjetest mens du røyker! I tilfelle gasslekkasje må apparatet ikke brukes, eller hvis det fortsatt er tent, må gasstilførselen stenges av og lekkasjen repareres før det kan brukes igjen.
3. Slå gasstilførselen PÅ. Og sjekk alle koblinger med såpevann. Såpebobler vises i tilfelle lekkasje.
4. I tilfelle lekkasje, slå av gasstilførselen. Stram alle tetninger med lekkasjer, og slå deretter PÅ gasstilførselen og kontroller på nytt. Ta kontakt med forhandleren din eller gassleverandøren for å få hjelp hvis bobler fortsatt vises.

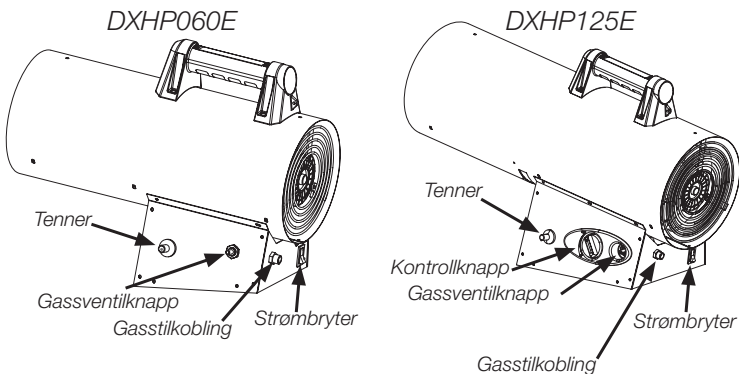
## Tenning/bruksanvisning

### Forberedelse til bruk

1. Fjern varmeapparatet fra esken og se etter mulige transportskader. Hvis noen blir funnet, varsle umiddelbart fabrikken.
2. Åpne plastposen med håndtak og skruer.
3. Fest håndtaket til varmeapparatet med fire skruer gjennom de fire hullene ved toppen av enheten. Se figur 2. **MERK:** Gasslange og gassregulator følger IKKE med varmeapparatet.
4. Koble gasslangen til trykkregulatoren og koble regulatoren til en passende gassflaske.
5. Koble slangen til gasstilkoblingen på varmeapparatet ved å dreie slangetilkoblingen med urviseren.
6. Åpne flaskens gassventil og alle gassforbindelser med en løsning av såpe og vann, som beskrevet ovenfor.
7. Koble strømledningen til godt jordet 220V~240V, 50Hz strømkilde.



Figur 2



# FORLAT ALDRI VARMEAPPARATET UTEN TILSYN MENS DET BRENNER!

## Starte varmeapparatet

1. Skru strømbryteren til ON (I) for å starte viften. **MERK:** Før tenning av varmeapparatet, la alltid viften til varmeapparatet kjøre i 20 sekunder for å tømme drivstoff.
2. Åpne sakte hovedventilen ved propanflasken.
3. Trykk på gassventilknappen og trykk på tenneren (piezoelektrisk lighter) gjentatte ganger inntil flammen lyser opp.
4. Etter varmeapparatet lyser opp, hold ventilknappen trykket ned i ca. 10 sekunder. Skulle varmeapparatet stoppe når ventilknappen er sluppet opp, vent ett minutt og gjenta startoperasjonen, mens du holder ventilknappen trykket ned for en lengre periode.
5. Bare på DXPH125E-modellen, drei kontrollbryteren til den laveste innstillingen. Etter varmeapparatet lyser opp, kan du justere forbrenningshastigheten ved å stille kontrollknotten til ønsket nivå.

**MERK:** Ta kontakt med din leverandør hvis noen problemer vedvarer.

**⚠FORSIKTIG:** Dersom tenningen er vanskelig eller uregelmessig før du gjentar starttrinnene, sørg for at viften ikke er fastlåst og luftinnløpet og utløpet er uhindret.

## Stoppe varmeapparatet

1. Lukk ventilen på propanflasken tett.
2. Fortsett med å bruke varmeapparatet til all brensel i slangen er brukt opp, vend deretter strømbryteren til OFF-posisjon (O).
3. Trekk ut strømledningen.

**⚠FORSIKTIG:** Slå alltid av drivstofftilførselen:

- Før frakobling av elektrisk strøm
- Før du flytter apparatet
- Etter hver gangs bruk

## OMSTART ETTER SIKKERHETSNEDESTENGING

1. Steng ventilen sikkert ved propanflasken. Koble fra strømledningen.
2. Vent i 5 minutter.
3. Omstart etter «START»-prosedyre.

**MERK:** Hvis en ny tank nettopp er blitt tilkoblet, kan det ta minst ett minutt eller mer før luften i gassledningen kommer ut gjennom pilohullet. .

**⚠ADVARSEL:** Ha alltid et pulverbrannslukningsapparat lett tilgjengelig.

## VIFTEBRUK

1. Apparatet kan også brukes som vifte.
2. I så fall, fjern gasslangen og koble pluggen til varmeapparatet til en passende strømtilførsel.
3. Sett strømbryteren til ON (I).

## BYTTE AV GASSFLASKEN

1. Slå av varmeapparatet.
2. Steng ventilen på gassflasken.
3. Koble regulatoren fra gassflasken, mens du følger instruksjonene som fulgte med regulatoren.
4. Bytt flasken.

**⚠ADVARSEL:** Bare fjern pluggen eller forseglingshetten fra beholderventilen og andre gassflasken i et rikelig ventilert område, vekk fra alle av antenningskilder (stearinlys, sigaretter og andre flammeproduiserende gjenstander).

5. Kontroller at pakningen er til stede og i god tilstand før du kobler regulatoren til en ny flaske.
6. Sjekk at forseglingen til regulatoren er riktig montert og i stand til å oppfylle sin funksjon.
7. Utfør lekkasjetest ved hjelp av såpevann.

## Vedlikehold

- Varmeapparatet skal inspiseres før hver gangs bruk, minst en gang i året og bare av en kvalifisert person. Før vedlikehold på varmeapparatet, koble fra både kilder til gass og elektrisitet.

**⚠ADVARSEL:** Hele gasssystemet, slangen, regulatoren og pilotbrenneren bør inspiseres for lekkasjer før bruk. Men i det minste en gang i måneden, og hver gang gassflasken blir byttet. Sjekk slangeanordningen for tegn på ekstrem sliping, kutt eller slitasje. Mistenkte områder bør lekkasjetestes. (Hvis slangen lekker, må den skiftes ut med en ny slange som samsvarer med lokale standardkoder). Hvis den viser tegn på sprekking, oppsplitting eller annen forringelse, skal den byttes ut med ny slange av samme lengde og av tilsvarende kvalitet. Erstatt gassrøret/-slangen innenfor intervallet beskrevet med slangen.

Hvis enheten ikke har vært brukt i en lengre periode, anbefaler vi at en tekniker utfører en generell sjekk før bruk. Det er viktig å gjøre følgende:

1. Periodisk kontrollere tilstanden til gasslangene og, hvis den bør endres, bare bruke originaldeler.
2. Sjekk koblingene til sikkerhetstermostaten og termoelementet: de må alltid være rene. Rengjør om nødvendig viftebladet og på innsiden av varmeapparatet ved hjelp av trykkluft.

# FORLAT ALDRI VARMEAPPARATET UTEN TILSYN MENS DET BRENNER!

## Vedlikehold

En farlig situasjon kan oppstå hvis en varmekilde blir brukt som er modifisert eller ikke fungerer som den skal. Når varmeapparatet fungerer normalt:

- \* Flammen holder seg inne i varmevarmeapparatet.
- \* Flammen er hovedsaklig blå, kanskje med noen gule tupper.
- \* Det er ikke noen sterk ubehagelig lukt, brennende øyne eller annet fysisk ubehag.
- \* Det er ikke røyk eller sot inne i eller utenfor varmeapparatet.
- \* Det er ikke noen uplanlagte eller uforklarlige avstengninger av varmeapparatet.

Delelistene og koblingsskjemaet viser varmeapparatet slik det ble konstruert. Ikke bruk et varmeapparat som er forskjellig fra det som vises. I denne forbindelsen må bare slangen, regulatoren og koplingsrøret til flasken (kalt en POL-tilpassing) som følger med varmeapparatet benyttes. **VIKTIG** Match fargestripen på taket med etiketten festet til slangesammenstillingen med fargen på etiketten plassert i nærheten av sammenstillingen til propaninnløpet på varmeapparatet. Ikke bruk alternativer. For dette varmeapparatet, blir regulatoren fabrikkinnstilt som vist i «Spesifikasjoner». Hvis det er noen usikkerhet om lufttrykkinnstillingen, få den kontrollert.

Et varmeapparat som ikke fungerer riktig, må repareres, men bare av opplært, erfarent servicepersonell.

Produkter under garanti vil bli reparert uten kostnad for deler eller arbeid. Ta med en kort oversikt som viser dato, sted for kjøp, problemets art og kjøpsbevis.

Produkter som ikke er dekket av garanti vil bli reparert med en kostnad for deler og arbeid.

## Oppbevaring

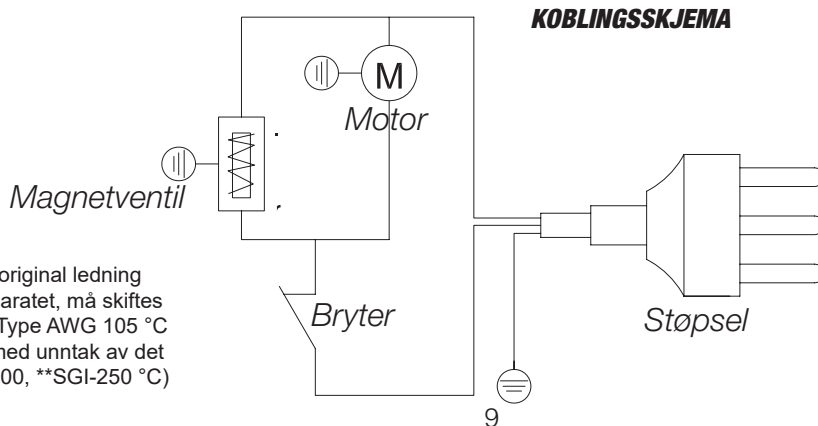
- Pass på at varmeapparatet er i AV-stilling.
- Slå av gassen ved LP-gassflasken(e) når varmeapparatet ikke er i bruk.
- Koble gassbeholderen fra gassvarmeren.
- Oppbevar gassbeholderen i et kjølig, tørt, mørkt og godt ventilert rom. En frakoblet flaske må ha gjengede ventilplugger stramt installert. Plasser den langt borte fra brennbare, eksplosive eller varme materialer og helst ikke i hjemmet. I tillegg bør den aldri lagres i kjelleren eller loftet.
- Flaske må oppbevares utilgjengelig for barn.
- Ikke lagre eller bruk bensin eller annen brennbar damp og væske i nærheten av denne, eller et hvilket som helst annet apparat.
- Når varmeapparatet skal oppbevares innendørs, må forbindelsen mellom LP-gassflasken(e) og varmeapparatet være koblet fra og flasken(e) fjernes fra varmeapparatet og lagres utendørs.
- Sjekk at gassventilen er tett og uskadd. Hvis du mistenker en skade, må den skiftes ut av gassforhandleren din.

## Rengjøring og vedlikehold

**⚠ ADVARSEL:** Pass på at varmeapparatet er i nøytral stilling og er kjølig. Ikke rengjør varmeapparat med rengjøringsmidler som er brennbare eller etsende.

- Tørk av pulverbelagte overflater med en myk, fuktig klut og såpevann.
- Fjern smuss og edderkopp- og insektbol fra ventilasjonsåpningen til flaskekabinettet, reguleringskammeret, brenneren og sirkulasjonsluftpassasjer i varmeelement med kraftig piperenser eller komprimert luft for å holde apparatet rent og trygt for bruk.
- Du må aldri klare porter eller andre åpninger med tannpikere eller andre ting som kan knekke og blokkere portene

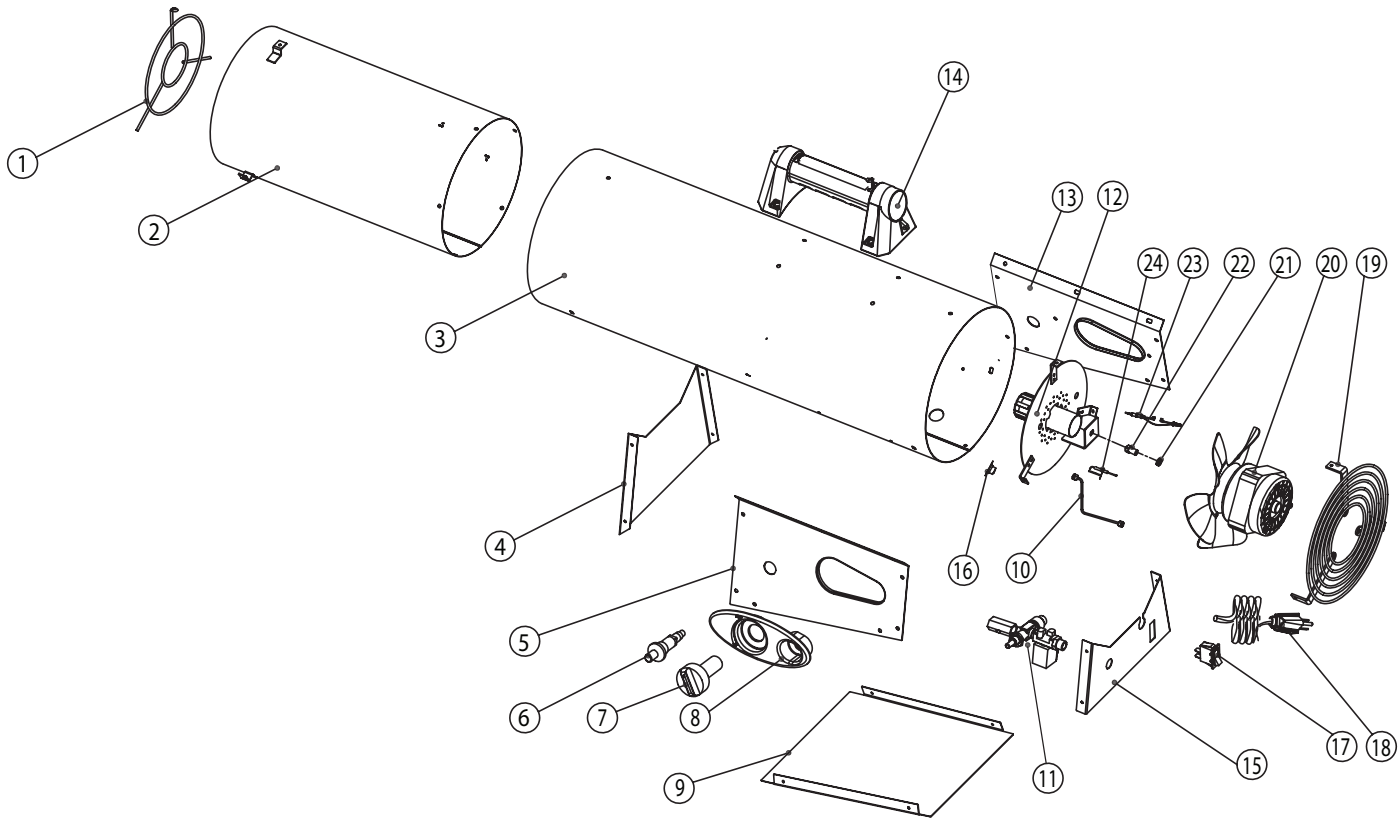
PROBLEM	ÅRSAK	LØSNINGER
Motoren fungerer ikke	Ingen strømforsyning	Sjekk klemmebrettet med en tester
Motoren fungerer, men brenneren tennes ikke, og etter noen sekunder stopper varmeapparatet	Gasskranen til flasken er stengt	Åpne gasskranen
	Gassflasken er tom	Bruk en ny gassflaske
	Munnstykket er blokkert	Ta av munnstykket og rengjør det
	Magnetventilen er ikke åpen	Kontroller at magnetventilen fungerer
	Det er ingen gnist	Kontroller posisjonen til elektroden
Brenneren tennes, men etter noen sekunder stopper varmeapparatet	Varmeapparatet er ikke jordet	Kontroller og koble til riktig
	Defekt forbindelse mellom sensor og sikkerhetsanordning	Kontroller og koble til riktig
	Defekt sikkerhetsanordning	Erstatt sikkerhetsanordningen
Varmeapparatet stopper under drift	For stor gasstilførsel	Kontroller trykkreduksjonsventilen og erstatt den om nødvendig
	Utilstrekkelig luftstrøm	Sjekk at motoren fungerer
	Utilstrekkelig gasstilførsel på grunn av isdannelse på sylindren	Kontroller og bruk en større flaske eller to sammenkoblede flasker



Hvis en hvilken som helst original ledning som følger med varmeapparatet, må skiftes ut, må den skiftes ut med Type AWG 105 °C ståltråd eller tilsvarende, med unntak av det som er anført (type SF 2,200, \*\*SGI-250 °C)

**FORLAT ALDRI VARMEAPPARATET UTEN TILSYN MENS DET BRENNER!**

Norsk



# FORLAT ALDRI VARMEAPPARATET UTEN TILSYN MENS DET BRENNER!

## DXPH060E & DXPH125E REPLACEMENT PARTS LIST

#	60K	125K	Beskrivelse	Antall	#	60K	125K	Beskrivelse	Antall
1	20989	20978	Utløpssplint	1	14	40801	40801	Håndtak	1
2	20954	20979	Forbrenningskammer	1	15	20962	20985	Bakre panel sokkel	1
3	20914	20925	Ytre tønne	1	16	20976	20975	Høy grensebryter	1
4	20955	20980	Frontpanel sokkel	1	17	20964	20964	Bryter	1
5	20956	20981	Venstre panel sokkel (DXPH125E vist)	1	18	20965	20965	Strømledning (J-type)	1
6	20957	20957	Tenner	1		20966	20966	Strømledning (F-type)	1
7	Ingen	20982	Kontrollknapp	1		20967	20967	Strømledning (G-type)	1
8	Ingen	20983	Dekorativt panel	1	19	20968	20986	Innløpssplint	1
9	20920	20931	Nedre panel sokkel	1	20	20969	20987	Viftemotor	1
10	20977	20958	Tilførselsrør for brenner	1	21	20970	20970	Åpningsmutter	1
11	20959	20984	Ventilanordning	1	22	20971	20988	Åpning	1
12	20974	20963	Brenneranordning	1	23	20972	20972	Termoelement	1
13	20916	20927	Høyre panel sokkel (DXPH125E vist)	1	24	20973	20973	Tennerelektrode	1

FORLAT ALDRI VARMEAPPARATET UTEN TILSYN MENS DET BRENNER!

Norsk

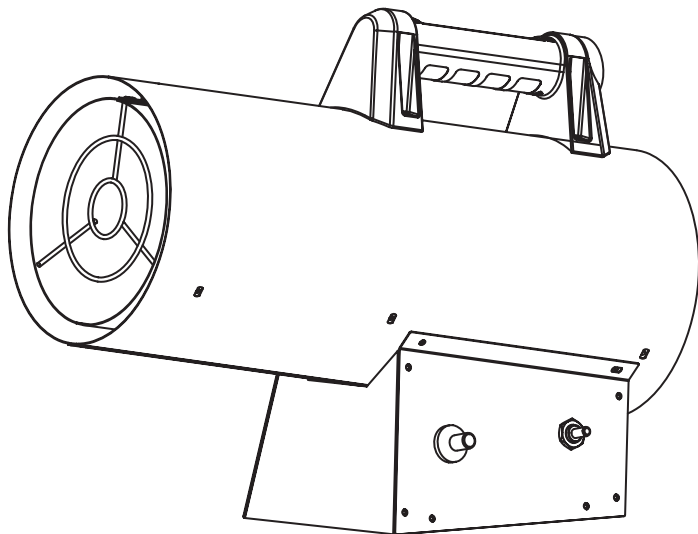
# DEWALT®

## BRUKSANVISNING

PROPAN-TRYKKLUFTVARMER

DXPH060E

DXPH125E



### ⚠ Advarsel

BRUK BARE RESERVEDELER FRA PRODUSENTEN. BRUK AV ANDRE DELER KAN FORÅRSAKE SKADE ELLER DØD. RESERVEDELER ER KUN TILGJENGELIG DIREKTE FRA FABRIKKEN OG MÅ INSTALLERES AV ET KVALIFISERT SERVICEBYRÅ.

### BESTILLINGSINFORMASJON FOR DELER:

INNKJØP: Tilbehør kan kjøpes hos enhver lokal DeWALT®-forhandler, eller direkte fra fabrikken

### FOR INFORMASJON OM SERVICE:

www.DEWALT.com  
www.2helpU.com

Ta med modellnummer, kjøpsdato og en beskrivelse av problemet i all kommunikasjon.

### BEGRENSET GARANTI

DeWALT® garanterer at varmeapparater og tilbehør er fri for defekter i materialer og utførelse i en periode på 2 år fra kjøpsdato.

DeWALT® vil reparere eller erstatte dette produktet gratis hvis det har vist seg å bli defekt innenfor to års-periode, og returneres på kundens regning med kjøpsbevis til DeWALT® innenfor garantiperioden.

Til salgs i følgende land:



GB



DE



FR



IT



NL



DK



SE



FI



NO

DeWALT®, GUARANTEED TOUGH® og det gule og svarte fargevalget er varemerker for DeWALT Industrial Tool Co., brukt under lisens. ©2020 DeWALT. EGI/Enerco Group Inc. på lisens fra DeWALT Industrial Tool Co



2531/20  
EN 1596:1998+A1:2004  
2531DL-0078



**EFTERLAD ALDRIG VARMEAPPARATET UDEN OPSYN MENS DET KØRER!**

*Hvis du har spørgsmål eller kommentarer, så kontakt os på*

***www.DEWALT.com***

**BRUGERVEJLEDNING**

# DEWALT®

**SPROG INKLUDERET:** ENGELSK, TYSK, FRANSK, ITALIENSK,  
HOLLANDSK, FINSK, SVENSK, NORSK, DANSK

**Gas tvungen luftvarmer, DXPH060E, DXPH125E**

**CE**

2531/20  
EN 1596:1998+A1:2004  
2531DL-0078

**GEM DISSE INSTRUKTIONER**

**⚠ ADVARSEL: LÆS BRUGSANVISNINGEN OMHYGGELIGT:** Læs og følg instruktionerne grundigt. Opbevar instruktionerne på et sikkert sted for senere brug. Lad ikke personer, der ikke har læst disse instruktioner, samle, justere eller betjene varmeapparatet.

## EFTERLAD ALDRIG VARMEAPPARATET UDEN OPSYN MENS DET KØRER!

### Definitioner: Sikkerhedsforskrifter

Definitionerne nedenfor beskriver graden af alvor for hver signalford. Læs manualen, og vær opmærksom på disse symboler.

- ⚠ **FARE:** Angiver en situation med overhængende fare. Hvis situationen ikke undgås, **VIL** den medføre **dødsfald eller alvorlige personskader**.
- ⚠ **ADVARSEL:** Angiver en situation med potentiel fare. Hvis situationen ikke undgås, **KAN** den medføre **dødsfald eller alvorlige personskader**.
- ⚠ **FORSIGTIG:** Angiver en situation med potentiel fare. Hvis situationen ikke undgås, **KAN** den medføre **mindre eller moderate personskader**.
- BEMÆRK:** Angiver en praksis ikke er relateret til personskade, som, hvis den ikke undgås, **KAN** resultere i **materielle skader**.

⚠ **ADVARSEL:** BRAND-, INDÅNDING OG EKSPLOSIONSFARE. HOLD FASTE BRÆNDSTOFFER, SOM BYGNINGSMATERIALER, PAPIR ELLER KARTON I EN SIKKER AFSTAND VÆK FRA VARMEAPPARATET, SOM ANBEFALET AF INSTRUKTIONERNE. VARMEAPPARATET MÅ IKKE BRUGES I RUM, DER IKKE MÅ ELLER KAN INDEHOLDE FLYGTIGE ELLER LUFTBÅRNE BRÆNDBARE MATERIALER, ELLER PRODUKTER SOM BENZIN, OPLØSNINGSMIDLER, FORTYNDERE, STØVPARTIKLER ELLER UKENDTE KEMIKALIER.

### ⚠ **ADVARSEL: Generel fare**

MANGLENDE OVERHOLDELSE AF SIKKERHEDSREGLER OG ANVISNINGER, DER FØLGER MED DETTE VARMEAPPARAT, KAN MEDFØRE DØDSFALD ELLER ALVORLIG PERSONSKADE OG SKADE PÅ EJENDELE ELLER BESKADIGELSE PGA. FARE FOR BRAND, EKSPLOSION, BRAND, KVÆLNING OG KULILTEFORGIFTNING, OG/ELLER ELEKTRISK STØD.

KUN PERSONER, DER KAN FORSTÅ OG FØLGE INSTRUKTIONERNE BØR BRUGE ELLER SERVICERE DETTE VARMEAPPARAT.

HVIS DU HAR BRUG FOR HJÆLP ELLER INFORMATION OM VARMEAPPARATET, SÅSOM BRUGERVEJLEDNING, ETIKETTER OSV., KONTAKT PRODUCENTEN. -OPBEVAR DISSE INSTRUKTIONER TIL FREMTIDIGT BRUG.

⚠ **ADVARSEL:** DETTE VARMEAPPARAT ER KUN TIL UDENDØRS BRUG. ET TILSTRÆKKELT VENTILERET OMRÅDE SKAL HAVE MINDST 25% AF AREALET ÅBENT. AREALET ER SUMMEN AF VÆGGENES OVERFLADE.

⚠ **ADVARSEL:** MÅ IKKE ANVENDES TIL OPVARMNING AF BEBOELIGE OMRÅDER; FOR BRUG I OFFENTLIGE BYGNINGER HENVISES TIL NATIONAL LOVGIVNING.

Dette varmeapparat er fremstillet i overensstemmelse med relevante tekster i en1596:1998/A1:2004 standarden. INSTALLER KUN DENNE ENHED, NÅR DEN OPFYLDER LOKALE / NATIONALE LOVGIVNINGER, FORORDNINGER OG STANDARDER.

## INDHOLDSFORTEGNELSE

ADVARSLER	2
VARMEAPPARATETS SPECIFIKATIONER	3
ADVARSLER OM FORSVINDENDE LUGT	4
SIKKERHEDSFORANSTALTNINGER	5
BELYSNINGS- / BETJENINGSVEJLEDNING	6
VEDLIGEHODELSE	7
FEJLFINDING	9
LEDNINGSDIAGRAM	9
EKSPLODERET TEGNING OG DELLISTE	10
BEGRÆNSET GARANTI	12

# EFTERLAD ALDRIG VARMEAPPARATET UDEN OPSYN MENS DET KØRER!

## Varmeapparatets Specifikationer

Model	DXPH060E		DXPH125E	
Gaskategori	I3B/P		I3P	I3P
Gastype	G30/G31 eller deres blanding		G31	G31
Gasforbrug (max.)	G30 1310 g/t	G31 1286 g/t	1286 g/t	G30 2547 g/h G31 2501 g/t
Modtagerlande	GB, DE, FR, IT, NL, DK, SE, FI, NO	GB, DE, FR, IT, NL, DK, SE, FI, NO	GB, DE, FR, IT, NL, DK, SE, FI, NO	GB, DE, FR, IT, NL, DK, SE, FI, NO
Nominel varmeeffekt	18 kW		35 kW	
Indgangstryk	1.5Bar			
Originalt land	Kina			
Elektrisk data	220 - 240V 50Hz 29W		220 - 240V 50Hz 44W	
PIN	2531DL-0078			
IP-klasse	IPx4			
Gasindgangstilslutning	G 1/4 LH			

**BEMÆRK:** Den termiske effekt af Model DXPH125E er justerbar fra 20kW til 35kW.



**ADVARSEL****Fare for kvælning**

- Brug ikke i uventilerede områder
- Forbrændings- og ventilationsluften må ikke blokeres
- Der skal være tilstrækkelig ventilationsluft for at understøtte forbrændingsluftkravet til det anvendte varmeapparat.
- Se specifikationsafsnittet i varmeapparatets manual, varmepladens dataplate, eller kontakt fabrikken for at bestemme kravene til forbrændingsluftkravet til varmeapparatet.
- Manglende korrekt ventilationsluft vil medføre forkert forbrænding
- Forkert forbrænding kan medføre kulilteforgiftning der kan føre til alvorlig personskade eller død. Symptomer på kulilteforgiftning kan omfatte hovedpine, svimmelhed og åndenød.
- Brug kun i et godt ventileret område og væk fra brændbart materialer.
- Sørg for, at blæseren fungerer korrekt, inden du tænder for varmeren.

**Lugt fra brændstofgas**

LP-gas og naturgas har menneskeskabte lugtstoffer, der er tilføjet specifikt til påvisning af brændstoflækager. Hvis der opstår en gaslækage, skal du kunne lugte brændstofgassen. Da propan (LP) er tungere end luft, skal du lugte for gaslugt lavt til gulvet. **ENHVER GASLUGT ER DIT SIGNAL TIL AT TAGE UMIDDELBAR HANDLING!**

- Foretag ikke noget, der kan antænde brændstofgassen.
- Anvend ingen elektriske kontakter.
- Træk ikke i nogen strømforsyning eller forlængerledninger.
- Undlad at tænde tændstikker eller andre kilder til åben ild.
- Brug ikke telefonen.
- Få alle ud af bygningen og væk fra området med det samme. Luk alle brændstofventiler for propangastanke (LP) eller cylindere, eller hovedbrændstofventilen placeret på måleren, hvis du bruger naturgas.

- Propangas (LP) er tungere end luft og kan sætte sig i lavtliggende områder. Hvis du har mistanke om en propanlækage, hold dig væk fra alle lavtliggende områder.
- Brug en telefon væk fra det område, hvor lækagen opstod og ring til din brændstofleverandør og dit brandvæsen. Gå ikke tilbage til bygningen eller området.
- Hold dig væk fra bygningen og væk fra området, indtil det er erklæret sikkert af brandmændene og din brændstofleverandør.
- TIL SLUT, lad servicepersonen for brændstofgas og brandmændene tjekke for undslupne gasser. Lad dem lufte bygningen og området ud, før du vender tilbage. Uddannet servicepersonale skal reparere lækager kontrollere for yderligere lækager, og derefter tænde apparatet for dig igen.

**Lugten svinder hen - Ingen lugt registreret**

- Nogle personer kan ikke lugte godt. Nogle personer kan ikke lugte lugten af det menneskeskabte kemiske stof tilsat propangas (LP) eller naturgas. Du skal afgøre, om du kan lugte lugtstoffet i disse brændstofgasser.
- Lær at genkende lugten af propangas (LP) og naturgas.
- Rygning kan mindske din lugteevne. At være sammen med en lugt for en periode kan påvirke din følsomhed overfor netop den lugt. Lugte der findes i bygninger med dyr kan maskere lugten af brændstofgas.
- **Lugtstoffet i propangas (LP) og naturgas er farveløst, og intensiteten af dens lugt kan falde under visse omstændigheder.**
- Hvis der er en underjordisk lækage, kan gassens bevægelse gennem jorden filtrere lugtstoffet.
- Propan (LP)-gaslugt kan variere i intensitet på forskellige niveauer. Da propan (LP)-gas er tungere end luft, kan der være stærkere lugt ved lavere niveauer.
- **Man skal altid være opmærksom på selv den mindste gaslugt.** Hvis du fortsat kan lugte gas, uanset hvor lidt det er, skal du behandle det som en alvorlig lækage. Skrid straks til handling som diskuteret tidligere.

**BEMÆRK - KRITISKE PUNKTER AT HUSKE!**

- Propangas (LP) har en karakteristisk lugt. Lær at genkende disse lugte. (Se afsnittene Lugt fra brændstofgas og Lugten svinder hen på denne samme side)
- Selv om du ikke er trænet inden for service og reparation af varmeapparatet, skal du ALTID være bevidst om lugten af propangas (LP) og naturgas.
- Hvis du ikke er blevet trænet korrekt i reparation og service af propangas (LP) og naturgas, skal du ikke forsøge at tænde varmeapparatet, udføre service eller reparationer eller foretage justeringer af varmeapparatet på propan (LP) gasbrændstofsystemet.
- En periodisk snuffetest omkring varmeapparatet eller ved varmeapparatets samlinger; dvs. slange, tilslutninger osv. er god sikkerhedspraksis under alle forhold. Hvis du lugter bare en lille smule gas, KONTAKT DIN BRÆNDSTOFLEVERANDØR MED DET SAMME. VENT IKKE!

## Sikkerhedsforanstaltninger

**DETTE ER ET VARMEAPPARAT. FØRSØG IKKE AT OPVARME ELLER TILBEREDE MAD PÅ DETTE VARMEAPPARAT.**

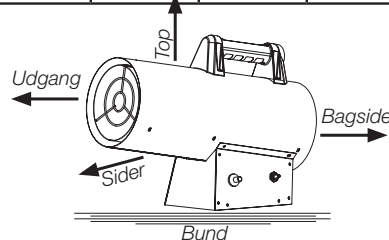
1. Kontrollér varmeapparatet grundigt for skader. Brug IKKE et beskadiget varmeapparat.
2. Man må IKKE ændre varmeapparatet eller betjene et varmeapparat, der er ændret fra dets oprindelige tilstand.
3. Brug kun propangas.
4. Brug kun propanforsyning med DAMPUDTAGNING. Hvis der er spørgsmål om dampudtagning, skal du spørge din propanforhandler.
5. Monter propancylinerne lodret (afspæringsventil opad). Sørg for at de ikke kan falde eller skubbes over, og beskyt dem mod skader.
6. Dette varmeapparat er kun til uendørs brug. Et ventilert område skal have mindst 25% af overfladearealet åbent. Overfladearealet er summen af væggenes overflade.
7. Hvis du på noget tidspunkt lugter gas, skal du øjeblikkeligt stoppe driften indtil årsagen er fundet og udbedret.
8. Hold en minimumsafstand fra almindeligt brændbart materiale iflg. de krav, der er angivet i figur 1.
9. På grund af den store overflade og udstødningstemperaturer, skal børn og husdyr holdes væk fra apparatet, når det er brugt.
10. Betjen kun maskinen på et stabilt og plant underlag.
11. Brug kun den strømforsyning, der er angivet. Hvis ledningen er beskadiget, skal den udskiftes af producenten, dennes serviceagent eller en tilsvarende kvalificeret fagmand, for at undgå risiko.
12. Brug kun en korrekt jordforbundet 3-stiks stikdåse eller forlængerledning.
13. Du må ikke bevæge, håndtere eller servicere varmeapparatet, mens det er varmt eller brænder.
14. Monter enheden og opbevar gasflasker i overensstemmelse med lokale/nationale lovgivning, forordninger og standarder.
15. Apparatet må ikke tildækkes under brug.
16. Brug ikke apparatet uden de forreste og bagerste skærme på plads. Skærmene er designet til beskyttelse.
17. I tilfælde af kraftig vind, skal der sørges for at apparatet ikke vipper eller vælter.
18. Få evt. reparation og/eller vedligeholdelse udført af en godkendt servicetekniker.
19. Dette apparat er designet til brug med 1.5bar gasregulator i overensstemmelse med standarderne EN 16129 og relevante krav. Hvis du er i tvivl, bedes du kontakte din lokale forhandler.

## Ventilationskrav

- For hver kW er det nødvendigt at have en permanent ventilation på 25 cm<sup>2</sup> ligeligt fordelt mellem gulvet og højt niveau, med et minimum 250 cm<sup>2</sup> afgang.
- Ret aldrig den varme luftstrøm mod cylinderen.
- Brug aldrig varmeapparatet uden dets dækning.
- Brug ikke overstige 100 W/m<sup>3</sup> ledig plads. Minimumsvolumen af lokalet skal være større end 100 m<sup>3</sup>.
- Varmeapparatet skal placeres, hvor der ikke er fare for brand. Varmluftsafgangen skal være mindst 3,5m fra brændbare vægge eller loft og må aldrig rettes mod gascylinderen. Hvis du er i tvivl, kontakt din leverandør.
- Brug ikke ventilationskanaler. Undgå at blokere varmeapparatets ind- eller udløbssektioner.
- Brug ikke varmeapparatet i kældre eller alle rum under jorden.
- Hvis varmeapparatet skal arbejde i en lang periode med sin maksimale kapacitet, er det muligt, at der dannes is på cylinderen. Dette skyldes overdreven dampudtagning. Cylinderen skal ikke opvarmes, hverken af denne grund, eller af nogen anden. For at undgå denne virkning eller i det mindste for at reducere den, skal du bruge en stor cylinder eller to cylindre, der er forbundet sammen.
- **Producenten kan ikke holdes ansvarlig for nogen skade eller ødelæggelse, hvis ikke der gøres opmærksom på de punkter, der er beskrevet ovenfor. Brugen af dette produkt og de elementer, der kræves til dette formål sker på slutbrugerens eget ansvar.**

**Figur 1: Minimumsafstande fra brændbart materiale**

Fra udgang	Fra siderne	Fra toppen	Fra bagsiden
3.5m	2m	2m	2,m



## Gaskrav

- Brug kun propan, butan eller en blanding. Se klassificeringsmærkat på apparatet.
- Apparatet kræver godkendt gaslange i <150 cm længde og en gasregulator. Slange og regulator skal overholde lokale standarder.
- Regulatorens maksimale indgangstryk må ikke overstige 690 kPa.
- Gastilslutning 0,635 cm LH skal bruges med 1.5 bar regulator. Gastilslutning .9525 cm LH skal bruges med 0-2 bar regulator (når der er behov).
- Dette apparat er beregnet til gascylindere op til 15 kg.
- En bulet, rusten eller beskadiget gascylinder kan være farlig og bør kontrolleres af en autoriseret gasspecialist. Brug aldrig en gascylinder med en beskadiget ventiltilslutning.
- Tilslut aldrig en ureguleret gascylinder til varmeapparatet.
- De fleksible rør og slanger må aldrig vrides Vridningsbelastning på rørene og slangerne kan medføre gaslækager over tid.
- Montering af gascylinderen skal overholde lokal lovgivning, eller i mangel af lokale krav, standarder for opbevaring og håndtering af flydende gasser.
- Afmonter gascylinderen når varmeapparatet ikke kan bruges.
- Isolér apparatet fra cylinderen ved hjælp af cylinderisoleringsventilen, når den ikke er i drift.

## Lækagetestning

Gastilslutninger på varmeapparatet lækagetestes fra fabrikken før levering. En fuldstændig lufttæthedskontrol skal udføres på installationsstedet pga. mulig fejlbehandling ved levering og/eller installation eller på grund af overdrevet tryk på varmeapparatet. Varmeapparatet skal kontrolleres med en fyldt gascylinder.

1. Sørg for, at sikkerhedsreguleringsventilen er i OFF-position.
2. Lav en sæbevandopløsning af én del flydende vaskemiddel og én del vand. Sæbevandopløsningen kan påføres med en sprayflaske, børste eller klud på alle gasforbindelser.
  - ⚠ **ADVARSEL:** Udfør aldrig lækagetest, mens der ryges! I tilfælde af gaslækage må apparatet ikke bruges, eller hvis det stadig er tændt, skal gasforsyningen slukkes og lækagen repareres, før varmeapparatet kan bruges igen.
3. Tænd for gasforsyningen. Og kontroller alle forbindelser med sæbevandsløsningen. Sæbebobler vises i tilfælde af en lækage.
4. I tilfælde af lækage skal du slukke for gasforsyningen. Efterspænd eventuelle utætte beslag, sluk derefter for gasforsyningen, og kontrollér igen. Kontakt din forhandler eller gasleverandør hvis der stadig er sæbebobler.

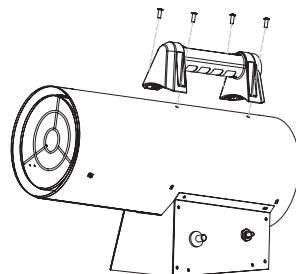
## Belysnings- / betjeningsvejledning

### Forberedelse til drift

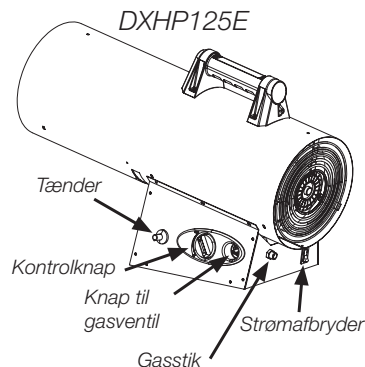
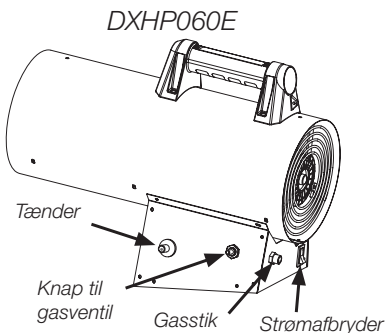
1. Fjern varmeapparatet fra boksen og kontroller for eventuelle transportskader. Hvis der findes nogle, underret straks fabrikken.
2. Åbn plastikposen med håndtaget og skruer.
3. Fastgør håndtaget til varmeapparatet med de fire medfølgende skruer gennem de fire huller i toppen af enheden. Se figur 2.

**BEMÆRK:** En gaslange og gasregulator er ikke inkluderet med varmeapparatet. Tilslut gasforsyningslangen til trykregulatoren, og tilslut regulatoren til en passende gascylinder.

4. Tilslut gasforsyningslange til trykregulatoren og tilslut regulatoren til en passende gascylinder.
5. Tilslut slangen til gasstikket på varmeapparatet ved at dreje slangebeslaget med uret.
6. Åbn cylinderens gasventil, og kontroller alle gasforbindelser med en sæbe- og vandopløsning som beskrevet ovenfor.
7. Tilslut netledningen til en godt jordet 220V ~ 240V, 50Hz strømkilde.



Figur 2



# EFTERLAD ALDRIG VARMEAPPARATET UDEN OPSYN MENS DET KØRER!

## Start af varmeapparat

1. Drej afbryderen til ON (I) position for at starte ventilatoren. **BEMÆRK:** Inden varmeapparatet tændes, lad altid varmeviften (blæseren) køre i 20 sekunder for at rense brændstof.
2. Åbn langsomt hovedventilen på propancylinderen.
3. Tryk på gasventilkappen, og tryk tænderen (piezoelektrisk lighter) gentagne gange, indtil flammen tændes.
4. Når varmeapparatet er tændt, skal ventilkappen holdes nede i ca. 10 sekunder. Hvis varmeapparatet stopper, når ventilkappen er sluppet, skal du vente et minut og gentage startfunktionen, mens ventilkappen holdes nede i længere tid.
5. På DXP125E modellen skal du dreje kontrolknappen til den laveste indstilling. Når varmeapparatet er tændt, kan du justere forbrændingshastigheden ved at indstille kontrolknappen til det ønskede niveau.

**BEMÆRK:** Kontakt din leverandør hvis et problem fortsætter.

**⚠FORSIGTIG:** Hvis antændelse er vanskelig eller uregelmæssig, skal du sørge for at ventilatoren ikke er låst, og at luftindløbet og udløbet ikke er blokeret før du gentager starttrinnene.

## Stop af varmeapparat

1. Luk ventilen tæt på propancylinderen.
2. Fortsæt med at betjene varmeapparatet, indtil alt brændstof i slangen er brugt, og drej derefter afbryderen til OFF (O) position.
3. Tag netledningen ud af stikket.

**⚠FORSIGTIG:** Sluk altid for brændstofforsyningen:

- Før du frakobler strømmen
- Før du flytter apparatet
- Efter hver brug

## GENSTART EFTER SIKKERHEDSSTOP

1. Luk ventilen fast på propancylinderen. Tag netledningen ud af stikket.
2. Vent 5 minutter.
3. Genstart ved at følge "START" -proceduren.

**BEMÆRK:** Hvis der lige er tilsluttet en ny tank, skal du tillade mindst et minut eller mere for at luften i gasledningen kan renses ud gennem pilothullet.

**⚠ADVARSEL:** Hold altid en tør kemisk ildslukker let tilgængelig.

## VENTILATORDRIFTN

1. Apparatet kan også anvendes som ventilator.
2. I dette tilfælde skal du fjerne gasforsyningslangen og sætte stikket til varmeapparatet i en passende strømforsyning.
3. Indstil afbryderkontakten til ON position (1).

## UDSKIFTNING AF GASCYLINDEREN

1. Sluk for varmeapparatet.
2. Luk ventilen på gascylinderen.
3. Afmonter regulatoren fra cylinderen ved at følge instruktionerne, der fulgte med din regulator.
4. Udskift gascylinderen  
**⚠ADVARSEL:** Du bør kun fjerne stikket eller tætningslåget fra cylinderventilen og skifte gascylinder i et rigeligt ventileret område, væk fra enhver antændelseskilde (stearinlys, cigaretter og andre apparater til produktion af flamme).
5. Kontroller at pakningen er tilstede og i god tilstand, før regulatoren tilsluttes den nye cylinder.
6. Kontrollér, at regulatoren er korrekt monteret og er i stand til at opfylde sin funktion.
7. Udfør lækagetest med sæbevand.

## Vedligeholdelse

- Varmere skal kontrolleres før hver brug, og mindst en gang årligt, kun af en kvalificeret person. For påbegyndelse af vedligeholdelsesarbejde på varmeapparatet, frakobl det fra både gas og elektriske kilder.

**⚠ADVARSEL:** Hele gassystemet, slange, regulator, pilot og brænderen skal efterses for lækager før brug. Men mindst en gang om måneden og hver gang gascylinderen udskiftes. Kontroller slangen for tegn på kraftig slidage, snit eller slid. Mistænkelige områder skal lækagetestes. Hvis slangen lækker, skal den udskiftes med en ny, der overholder lokale forskrifter). Hvis slangen viser tegn på revner, huller eller anden forringelse, udskiftes den med en ny slange med samme længde og af den samme kvalitet. Udskift gasrøret/slangen indenfor intervallet beskrevet med slangen.

Hvis enheden ikke har været benyttet i en længere periode, anbefales det, at en tekniker foretager en generel kontrol inden brug. Det er vigtigt at udføre følgende:

1. Kontroller jævnligt tilstanden af gasforsyningslanger, og brug kun originale reservedele, hvis de skal udskiftes.
2. Kontroller tilslutningerne til sikkerhedstermostaten og termoelementet: de skal altid være rene. Rengør evt. ventilatorvingen og indersiden af varmeapparatet med trykluft.

**Serviceering**

Der kan opstå en farlig situation, hvis der bruges et varmeapparat, der er ændret eller ikke fungerer korrekt. Når varmeapparatet fungerer korrekt:

- \* Flammen er inde i varmeapparatet.
- \* Flammen er i det væsentlige blå med måske lidt gult på spidsen.
- \* Der er ingen stærk ubehagelig lugt, sviende øjne eller andet fysisk ubehag.
- \* Der er ingen røg eller sod internt eller eksternt til varmeapparatet.
- \* Der er ingen uforudsete eller uforklarede nedlukninger af varmeapparatet.

Dellisten og den eksploderede tegning viser varmeapparatet som det blev bygget. Brug ikke et varmeapparat, der er forskellig fra det viste. I denne forbindelse skal du kun bruge slangen, regulator og cylinderforbindelsesbeslag (kaldet et POL beslag) der leveres med varmeapparatet. **VIGTIG** Match farvestriben på det hængende mærkat fastgjort på slangen med farven på etiketten der er placeret nær propanindsugningsbeslaget på varmeapparatet. Brug ikke alternative dele. For dette varmeapparat leveres regulatoren fabriksindstillet som vist i "specifikationer". Hvis der er usikkerhed om regulatorens indstilling, få den kontrolleret.

Et varmeapparat der ikke virker korrekt skal repareres, men af en uddannet og erfaren servicetekniker.

Produkter der er dækket af garantien, vil blive repareret uden regning for enten dele eller arbejdskraft. Vedlæg en kortfattet angivelse af dato og sted for købet, problemets karakter og købsbevis.

Produkter der ikke er dækket af garantien, vil blive repareret med regning for dele og arbejdskraft.

**Opbevaring**

- Sørg for, at varmeapparatet er i "OFF" -position.
- Sluk for gassen på LP-gascylinder, når varmeapparatet ikke benyttes.
- Frakobl gasbeholderen fra gasvarmeren.
- Opbevar gasbeholder i et køligt, tørt og mørkt og godt ventileret rum. En frakoblet cylinder skal have gevindskåret ventilpropper stramt monteret. Den skal placeres langt væk fra brandbare, eksplosive eller varmt materiale og helst ikke i hjemmet. Derudover må den aldrig opbevares i kælder eller på loftet.
- Cylinderen skal opbevares utilgængeligt for børn.
- Opbevar eller brug ikke benzin eller andre brændbare dampe og væsker i nærheden af dette eller andre apparater.
- Når anlægget skal opbevares indendørs, skal forbindelsen mellem LP-gascylindrene og varmeapparatet afbrydes og cylinderen skal afmonteres fra varmeapparatet og opbevares udenfor.
- Kontroller tilspændingen af gasventilen og tjek den for skader. Hvis du har mistanke om en skade, må den kun udskiftes af din gasforhandler.

**Rengøring og pleje**

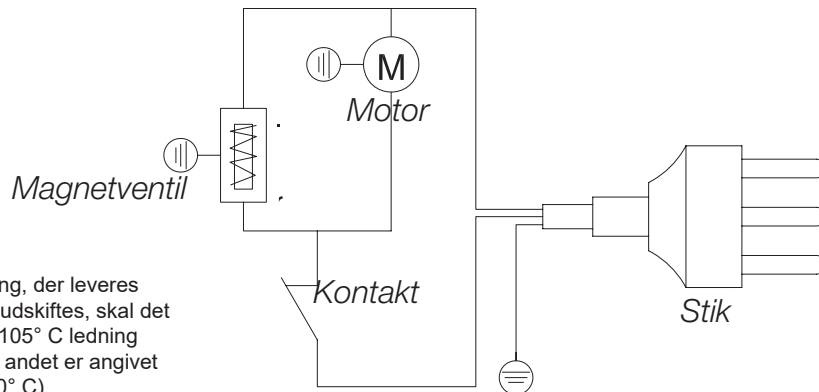
**⚠ ADVARSEL:** Sørg for, at varmeapparatet er i "OFF" -position og afkølet. Varmeapparatet må ikke rengøres med rengøringsmidler, der er brændbare eller ætsende.

- Tør pulverdækkede overflader af med en blød, fugtig klud og sæbevand.
- Fjern snavs og edderkop- og insektreder fra ventilationsåbning på cylinderkabinet, kontrolrum, brænder og cirkulationsluftpassager på varmeapparatet med en kraftig piberenser eller trykluft for at holde maskinen ren og sikker i brug.
- Rengør aldrig stik eller andre åbninger med tandstikkere eller andre genstande der kan knække og blokere åbningerne.



PROBLEM	ÅRSAG	LØSNINGER
Motoren virker ikke	Ingen strømforsyning	Kontroller terminalkortet med en tester
Motoren fungerer, men brænderen tænder ikke, og efter et par sekunder stopper varmeapparatet	Cylindergashanen er lukket	Åbn gashanen
	Cylinderen er tom	Brug en ny cylinder
	Dysen er tilstoppet	Fjern dysen og rengør den
	Magnetventilen er ikke åben	Kontrollér, at magnetventilen fungerer
Brænderen tændes, men efter få sekunder stopper varmeapparatet	Der er ingen gnist	Kontrollér placeringen af elektroden
	Varmeapparatet er ikke jordet korrekt	Kontrollér og tilslut korrekt
	Defective connection between sensor and safety device	Check and connect properly
Varmeapparatet stopper under drift	Defekt sikkerhedsenhed	Udskift sikkerhedsenhed
	Overdreven gasforsyning	Kontroller trykreduktionen, og udskift den om nødvendigt
	Utilstrækkelig luftstrøm	Kontrollér, at motoren fungerer korrekt.
	Utilstrækkelig gastilførsel pga. isdannelse på cylinderen	Tjek og brug en større cylinder eller to cylindre forbundet sammen

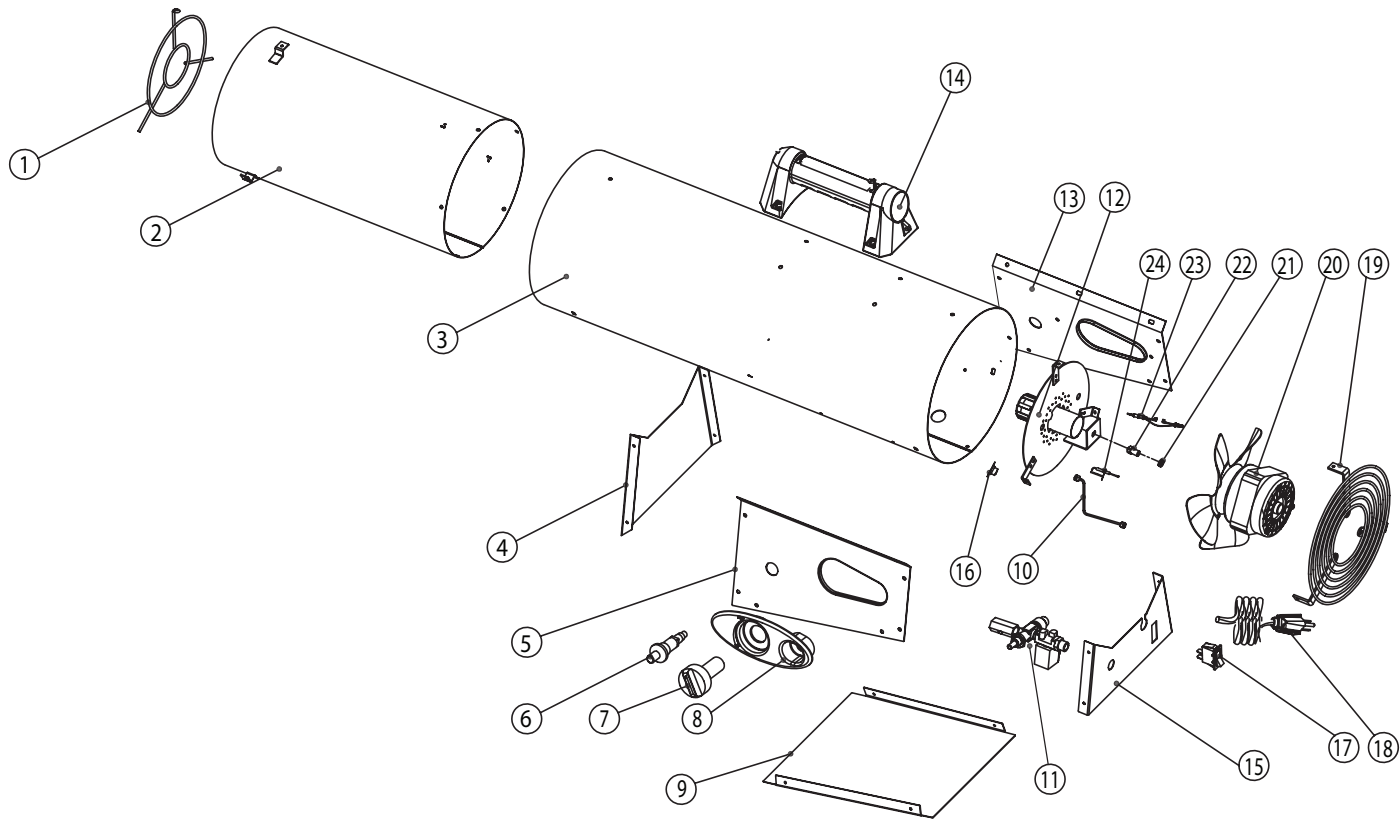
**LEDNINGSDIAGRAM**



Hvis den oprindelige ledning, der leveres med varmeapparatet skal udskiftes, skal det udskiftes med Type AWG 105° C ledning eller lignende, medmindre andet er angivet (Type SF 2.200, \*\*SGI-250° C)

EFTERLAD ALDRIG VARMEAPPARATET UDEN OPSYN MENS DET KØRER!

Dansk



# EFTERLAD ALDRIG VARMEAPPARATET UDEN OPSYN MENS DET KØRER!

## DXPH060E & DXPH125E RESERVEDELSLISTE

#	60K	125K	Beskrivelse	Antal	#	60K	125K	Beskrivelse	Antal
1	20989	20978	Udløbsholder	1	14	40801	40801	Håndtag	1
2	20954	20979	Forbrændingskammer	1	15	20962	20985	Basens bagerste panel	1
3	20914	20925	Yderste løb	1	16	20976	20975	Høj grænsekontakt	1
4	20955	20980	Basens frontpanel	1	17	20964	20964	Kontakt	1
5	20956	20981	Basens venstre panel (DXPH125E vist)	1	18	20965	20965	Elektrisk netledning (J-Type)	1
6	20957	20957	Tænder	1		20966	20966	Elektrisk netledning (F-Type)	1
7	Ikke relevant	20982	Kontrolknop	1		20967	20967	Elektrisk netledning (G-Type)	1
8	Ikke relevant	20983	Dekorativt panel	1	19	20968	20986	Indløbsholder	1
9	20920	20931	Basens nederste panel	1	20	20969	20987	Ventilatormotor	1
10	20977	20958	Brænderens forsyningsrør	1	21	20970	20970	Åbningsmøtrik	1
11	20959	20984	Ventilsamling	1	22	20971	20988	Åbning	1
12	20974	20963	Brændersamling	1	23	20972	20972	Termoelement	1
13	20916	20927	Basens højre panel (DXPH125E vist)	1	24	20973	20973	Tændsatsselektrode	1

EFTERLAD ALDRIG VARMEAPPARATET UDEN OPSYN MENS DET KØRER!

Dansk

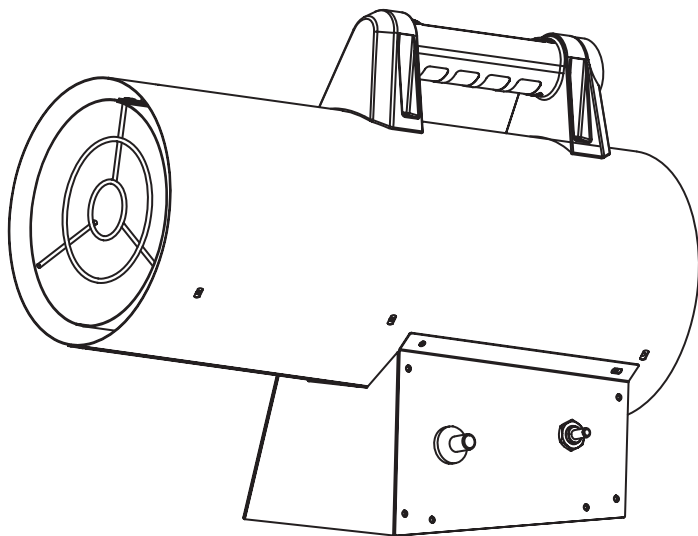
# DEWALT®

BRUGERVEJLEDNING

**GAS TVUNGEN LUFTVARMER**

**DXPH060E**

**DXPH125E**



## ⚠ Advarsel

BRUG KUN PRODUCENTENS RESERVEDELE. BRUG AF ANDRE DELE KAN FORÅRSAGE PERSONSKADE ELLER DØDSFALD. RESERVEDELE KAN KUN KØBES DIREKTE FRA FABRIKKEN OG SKAL INSTALLERES AF EN KVALIFICERET TEKNIKER.

### **DELBESTILLINGSOPLYSNINGER:**

**INDKØB:** Tilbehør kan købes hos ethvert DEWALT® forhandler eller direkte fra fabrikken.

### **FOR OPLYSNINGER VEDR. SERVICE:**

[www.DEWALT.com](http://www.DEWALT.com)

[www.2helpU.com](http://www.2helpU.com)

Inkluder venligst modelnummer, købsdato samt beskrivelse af problemet i al kommunikation.

### **BEGRÆNSET GARANTI**

DeWALT® garanterer, at alle varmelegemer og tilbehør er fri for defekter i materiale og udførelse i en periode på 2 år fra købsdatoen.

DeWALT® vil reparere eller erstatte produktet uden beregning, hvis det viser sig at være defekt inden for 2 år, og sendes tilbage på kundens bekostning med købsbevis til DeWALT® inden for garantiperioden.

Til salg i følgende lande:



GB



DE



FR



IT



NL



DK



SE



FI



NO

DeWALT®, GUARANTEED TOUGH® og de gule og sorte farver er varemærker tilhørende DeWALT Industrial Tool Co., anvendt under licens. ©2020 DeWALT. Eqi/Enerco Group Inc. under licens fra DeWALT Industrial Tool Co



2531/20

EN 1596:1998+A1:2004

2531DL-0078